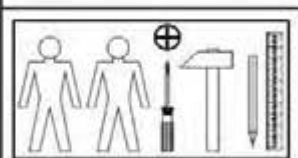
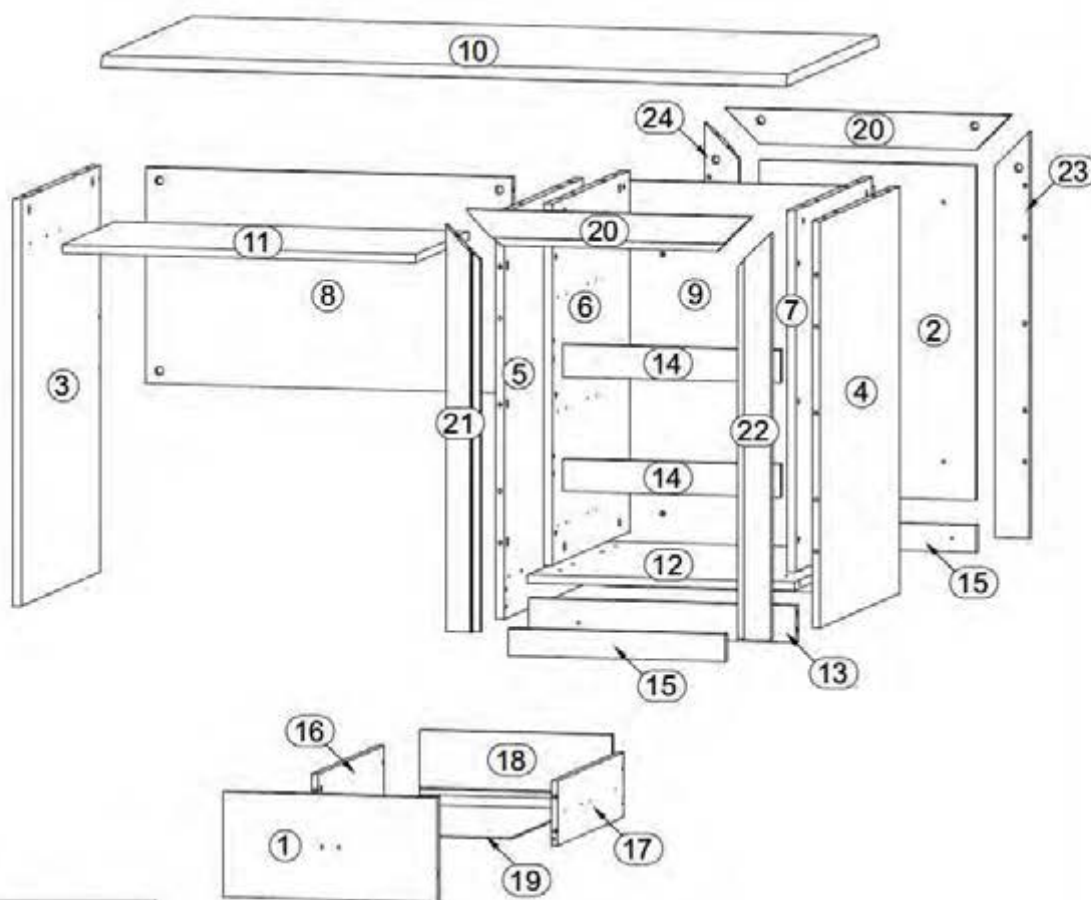
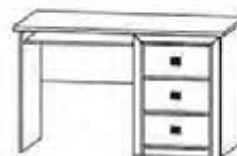
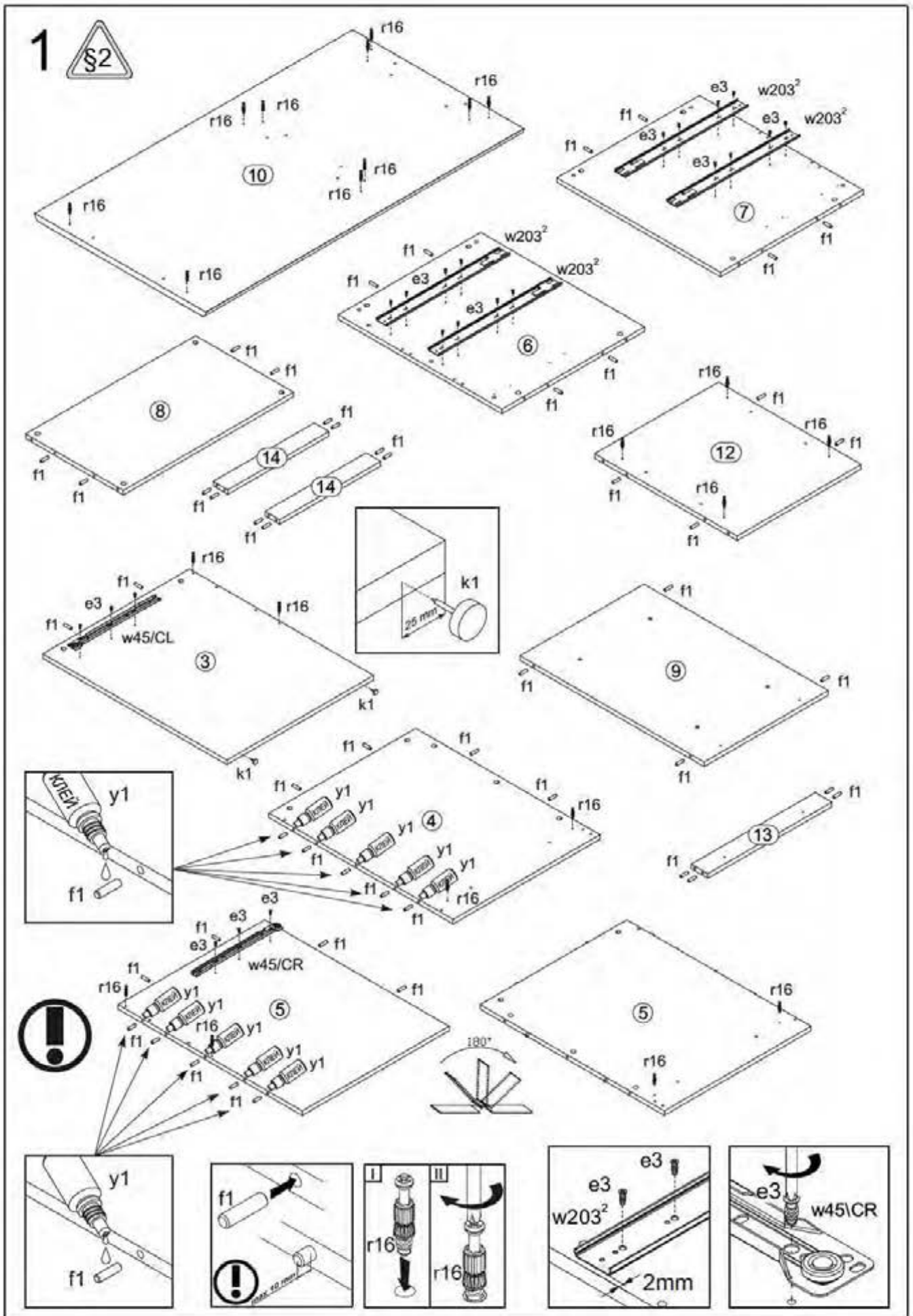


A	B	C	D	A	B	C	D		
1	S136 0052	406	194	4/4	13	S136 447	507	68	2/4
2	S136 555	619	409	4/4	14	S136 449	413	60	1/4
3	S136 181	753	600	2/4	15	S136 448	411	50	1/4
4	S136 180	753	600	2/4	16	S136 5509	500	120	2/4
5	S136 179	753	600	2/4	17	S136 5510	500	120	2/4
6	S136 1122	669	583	1/4	18	S136 5520	355	120	1/4
7	S136 1123	689	583	1/4	19	S136 943	499	370	2/4
8	S136 451	695	400	1/4	20	S136 5570	541	65	3/4
9	S136 5568	753	507	2/4	21	S136 550	753	65	3/4
10	S136 226	1300	700	1/4	22	S136 551	753	65	3/4
11	S136 342	670	400	1/4	23	S136 556	753	65	3/4
12	S136 341	507	583	2/4	24	S136 557	753	65	3/4



3x c317	30x e3 φ6x13 mm	4x e22 φ7x28 mm	12x e32 φ5x50 mm	56x f1 φ8x30 mm	6x j30 M4x22 mm	6x k1	4x p27 φ3,5x13 mm	4x p94 φ4x28 mm
24x p140 φ3,5x12 mm	48x r1 φ15x12mm #16	4x r10	40x r16 20,9	18x s2 φ16	1x w45 ^{CL} 350 mm	1x w45 ^{CR} 350 mm	1x w45 ^{DL} 350 mm	1x w45 ^{GR} 350 mm
6x w203 ^L 300 mm	6x w203 ^R 300 mm	1x y1 Клей	1x z1					

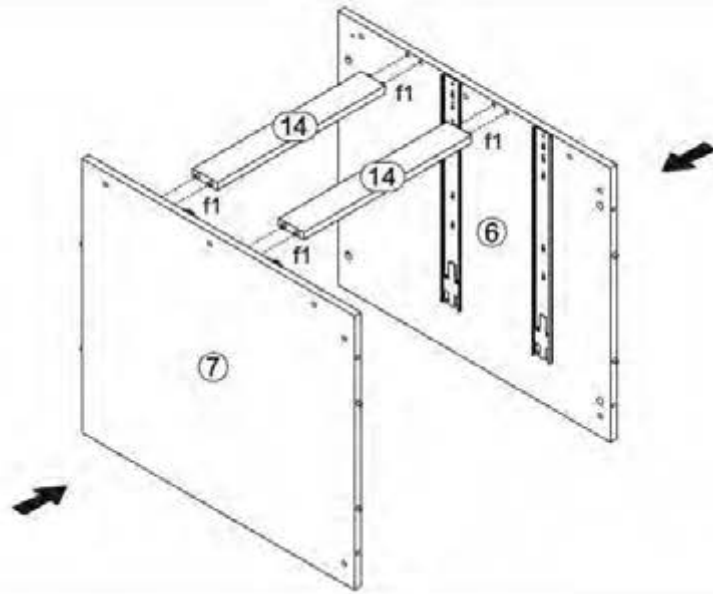


Сосна каньон

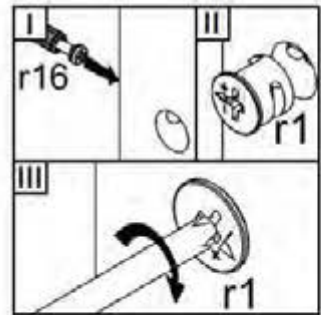
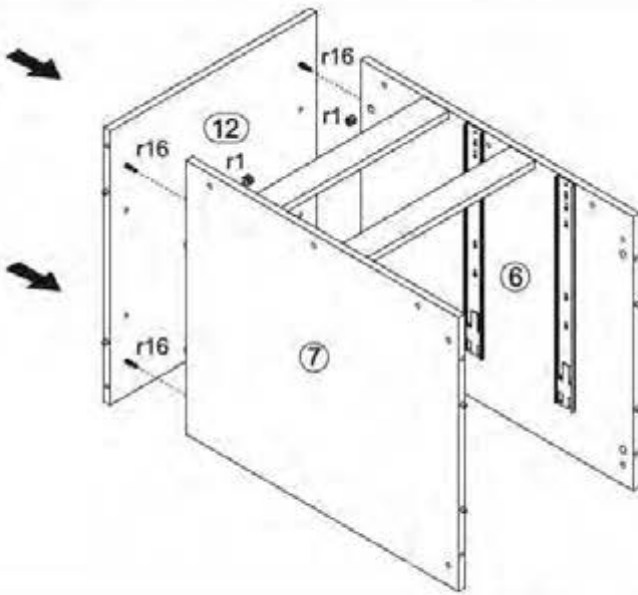
2 / 8

Стол письменный / Стол письменный ВІВ 130

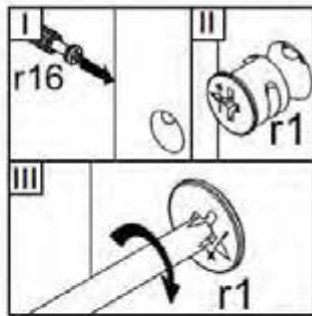
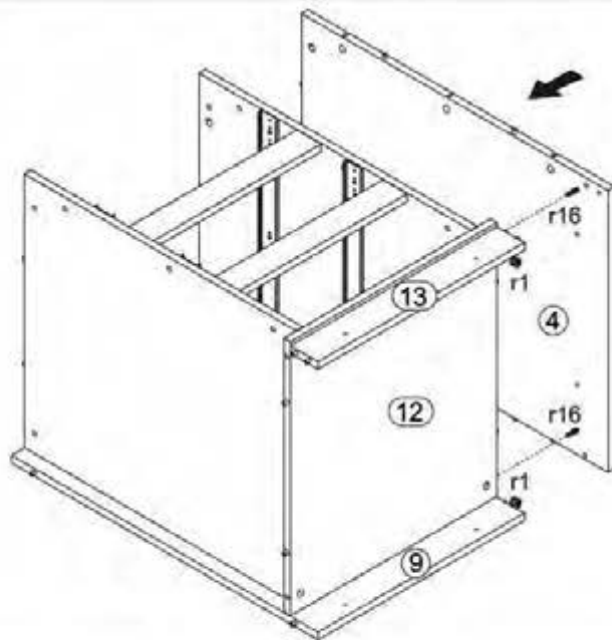
2



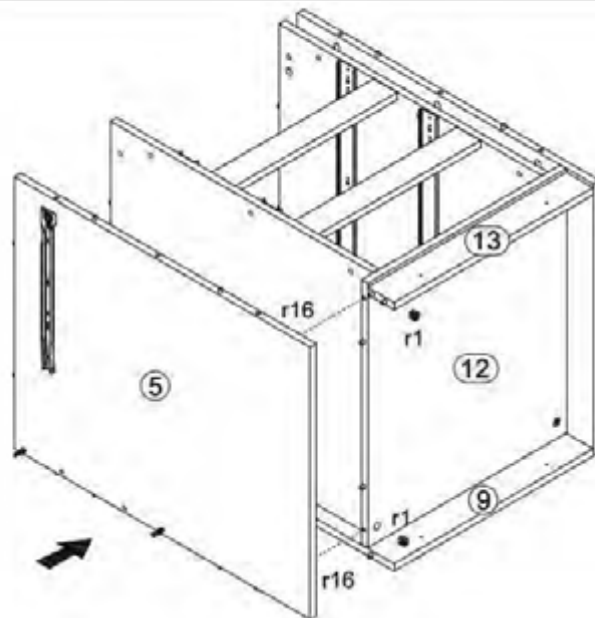
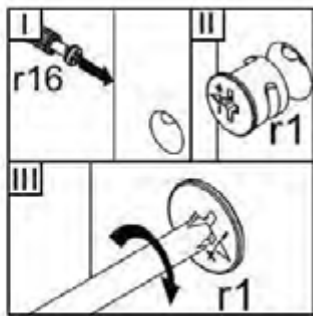
3



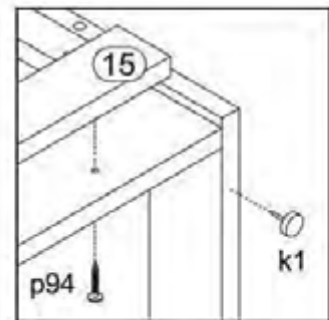
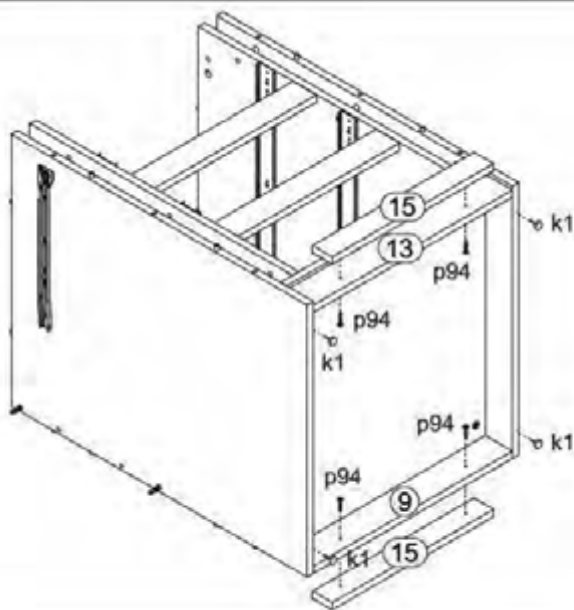
4



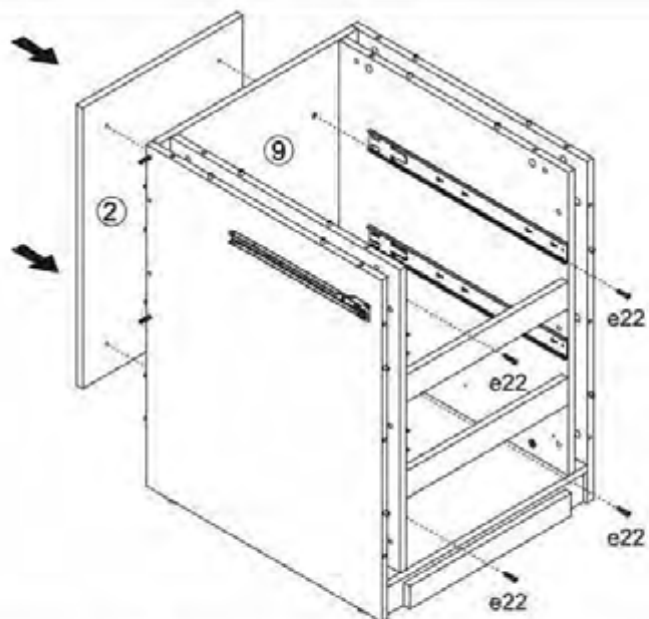
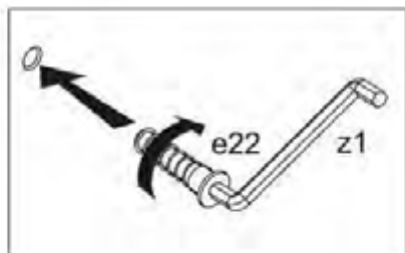
5



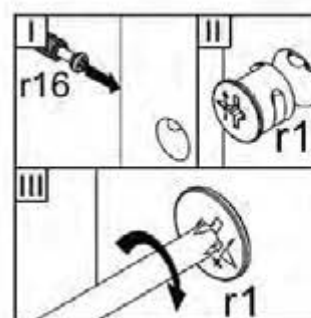
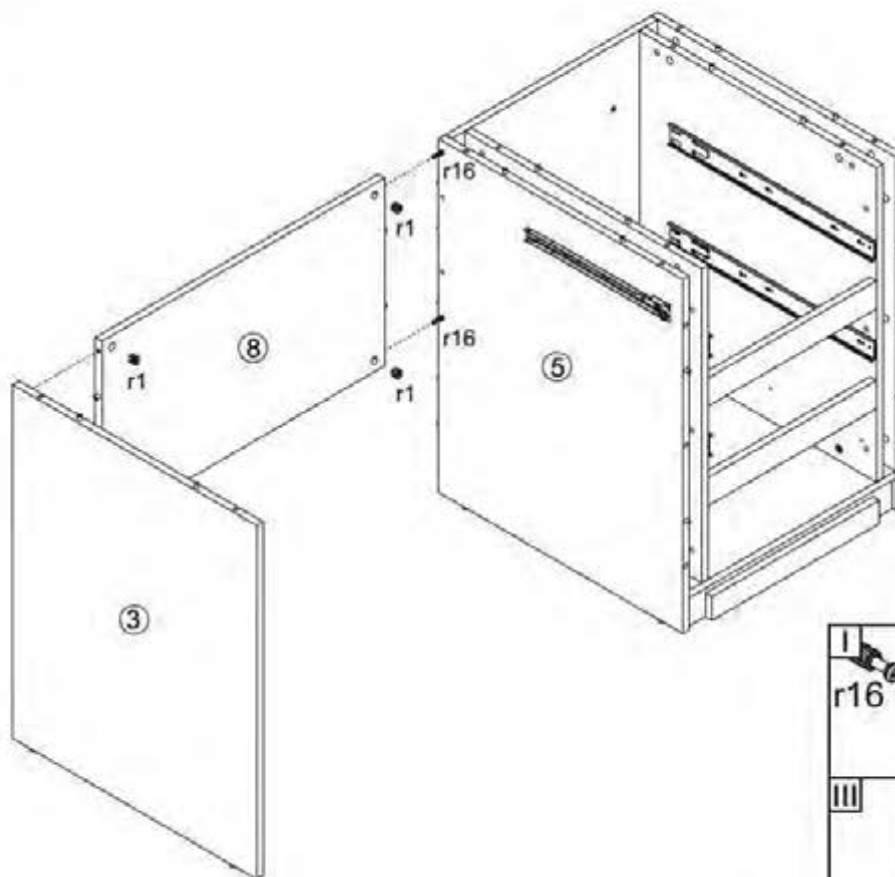
6



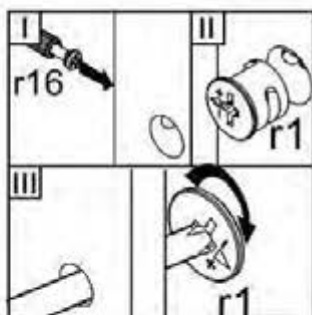
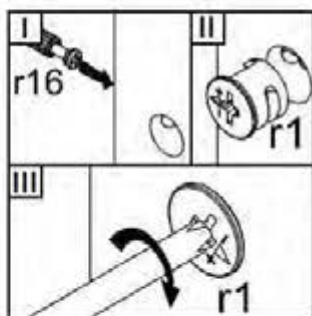
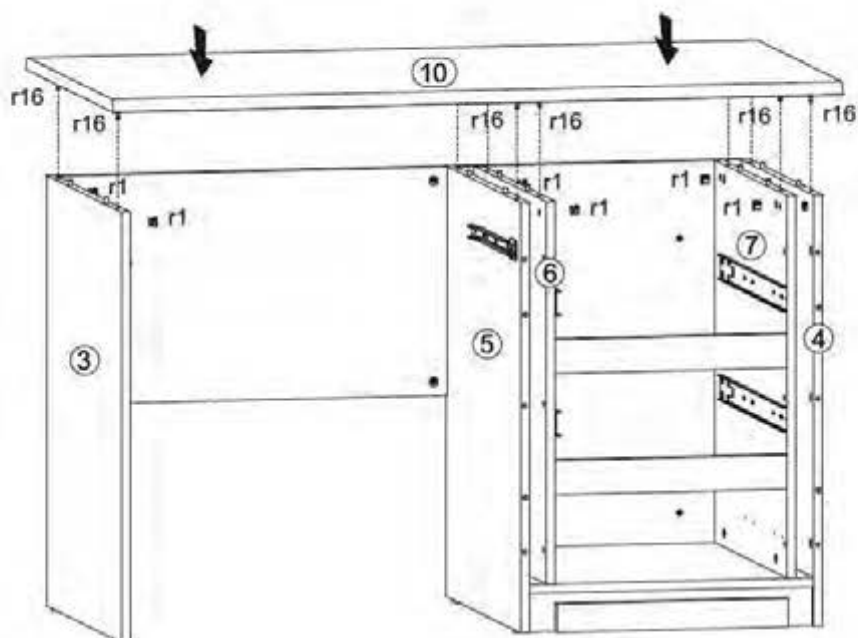
7



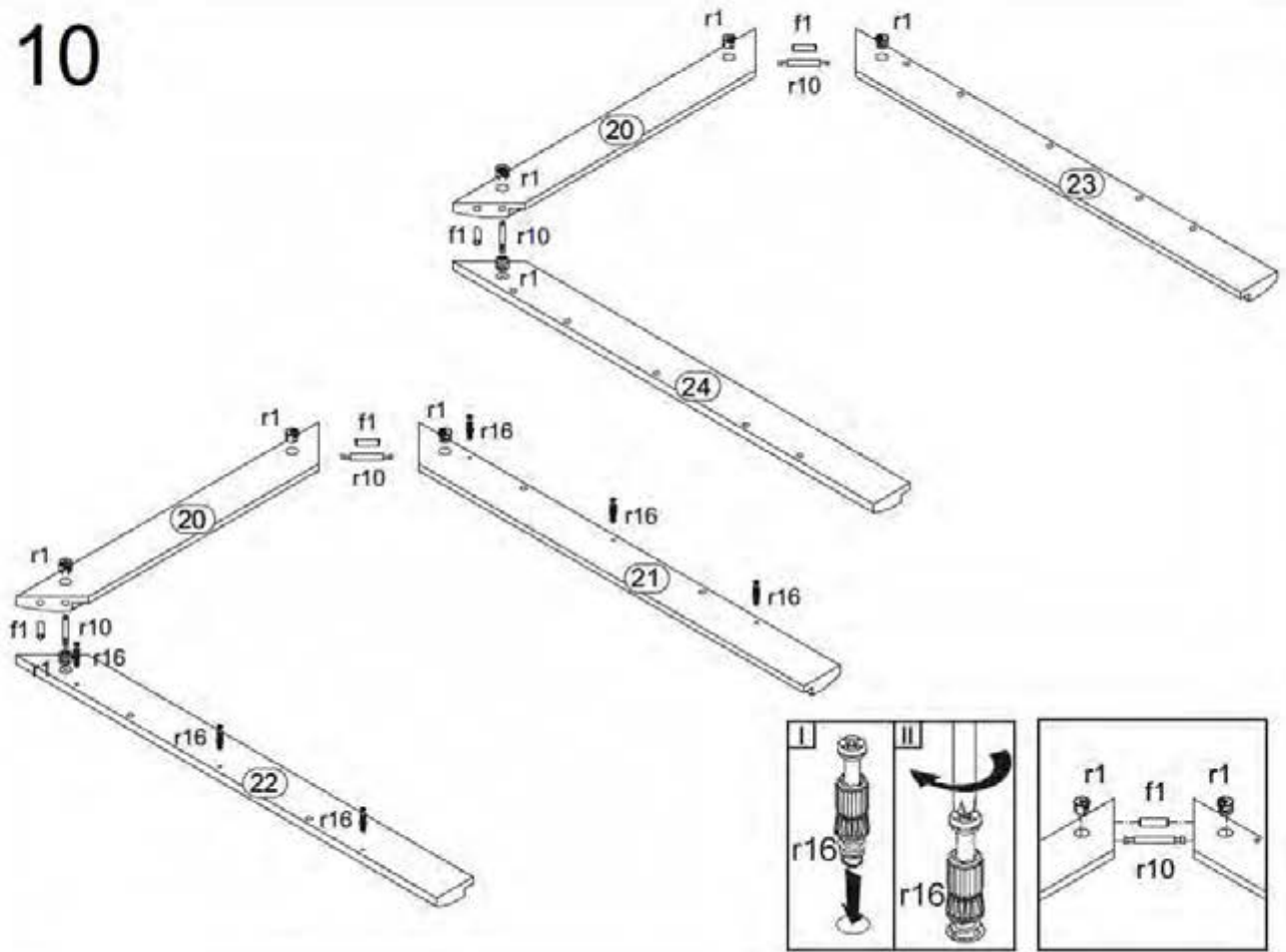
8



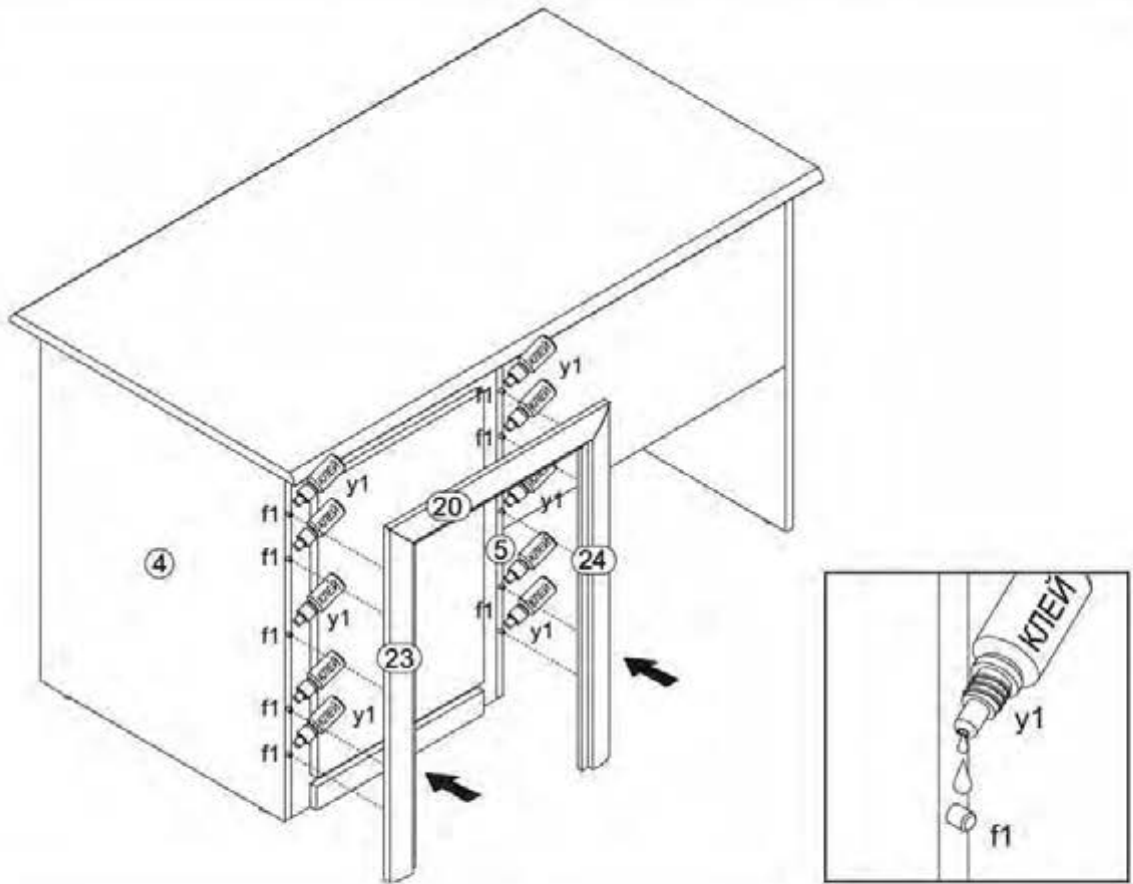
9



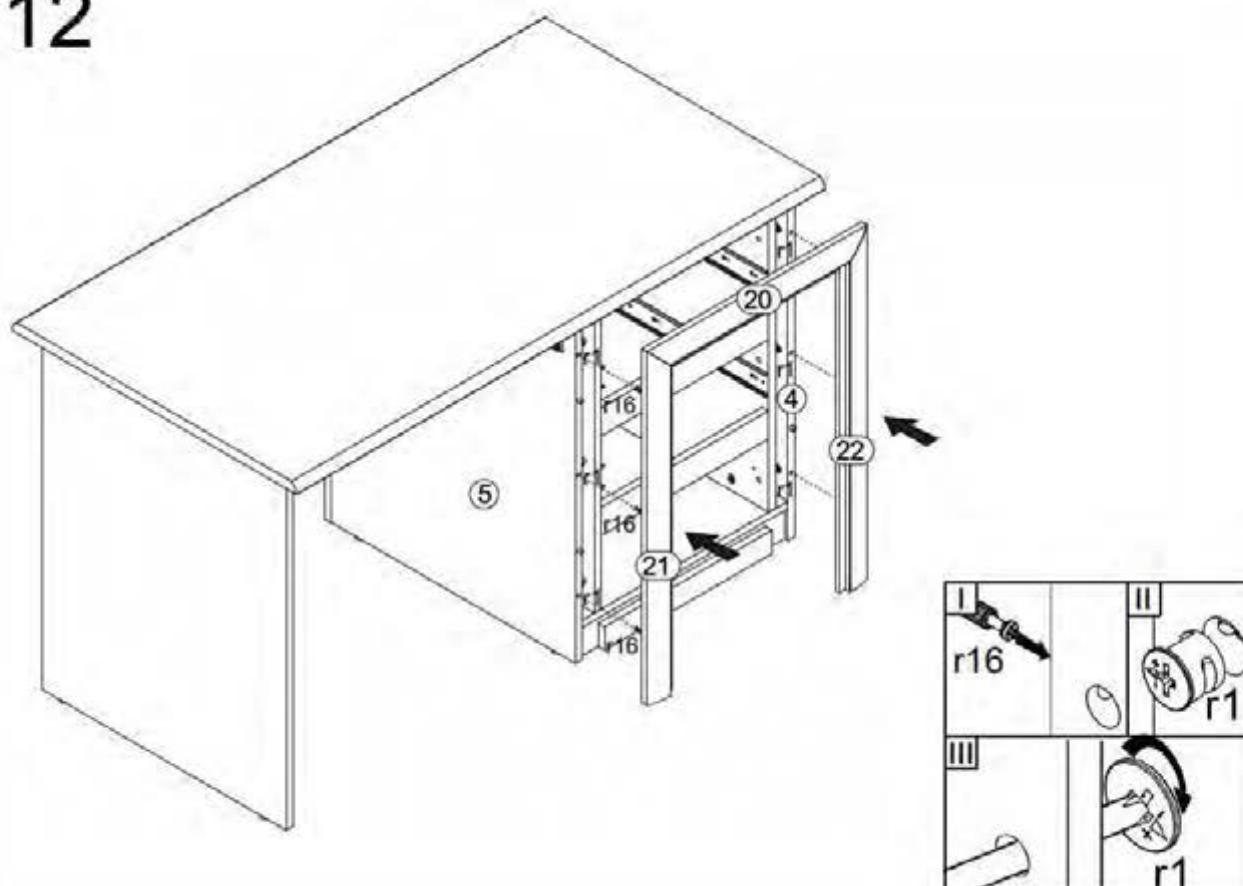
10



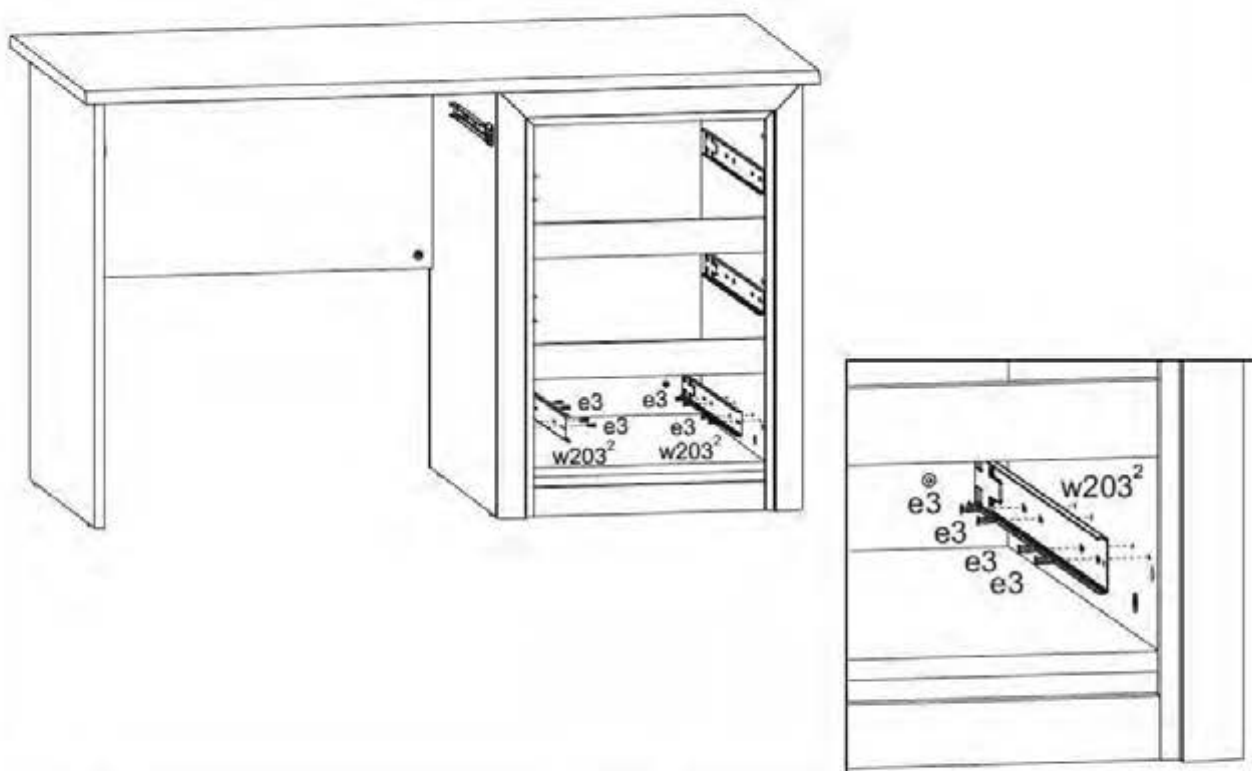
11



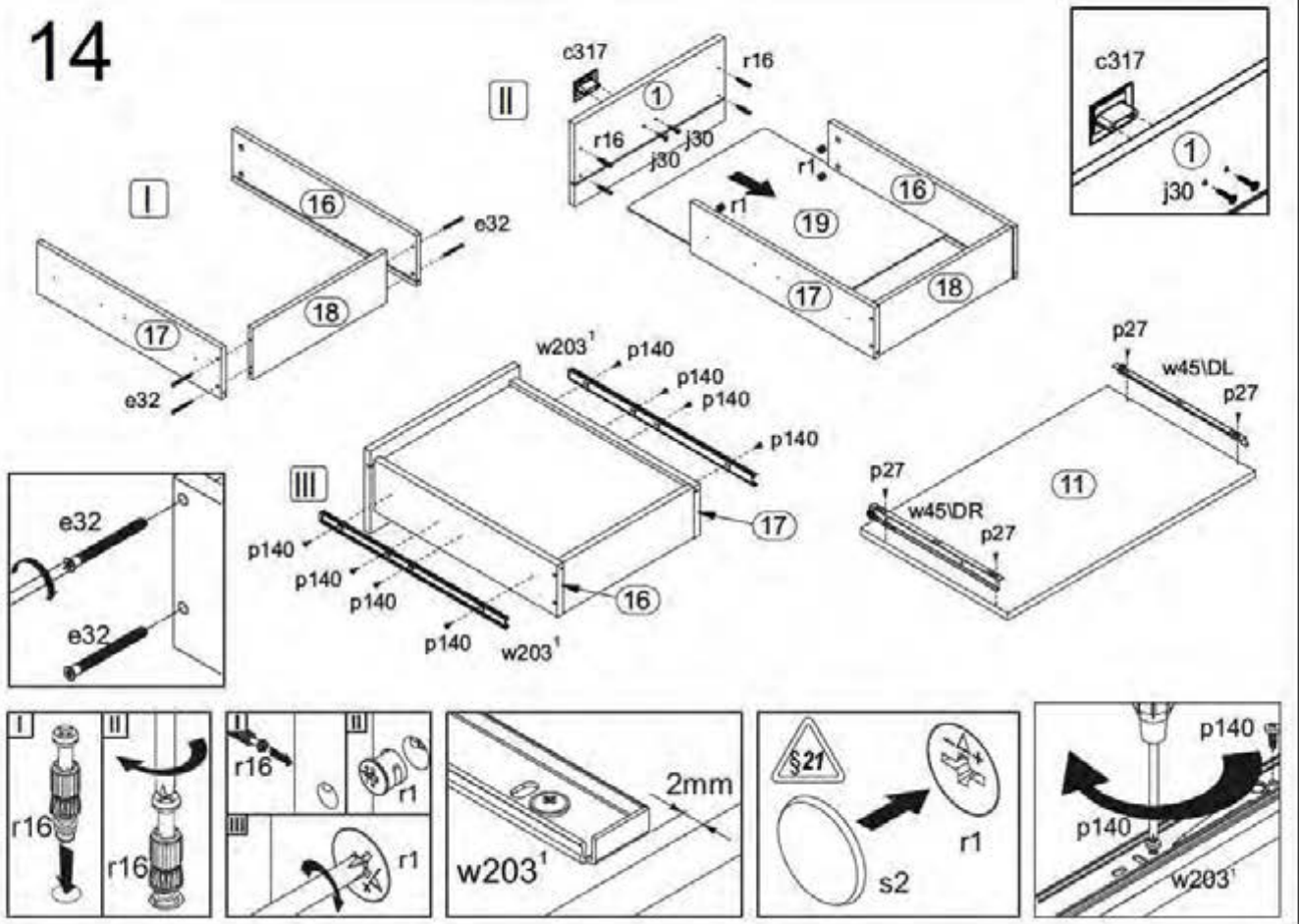
12



13



14



15

