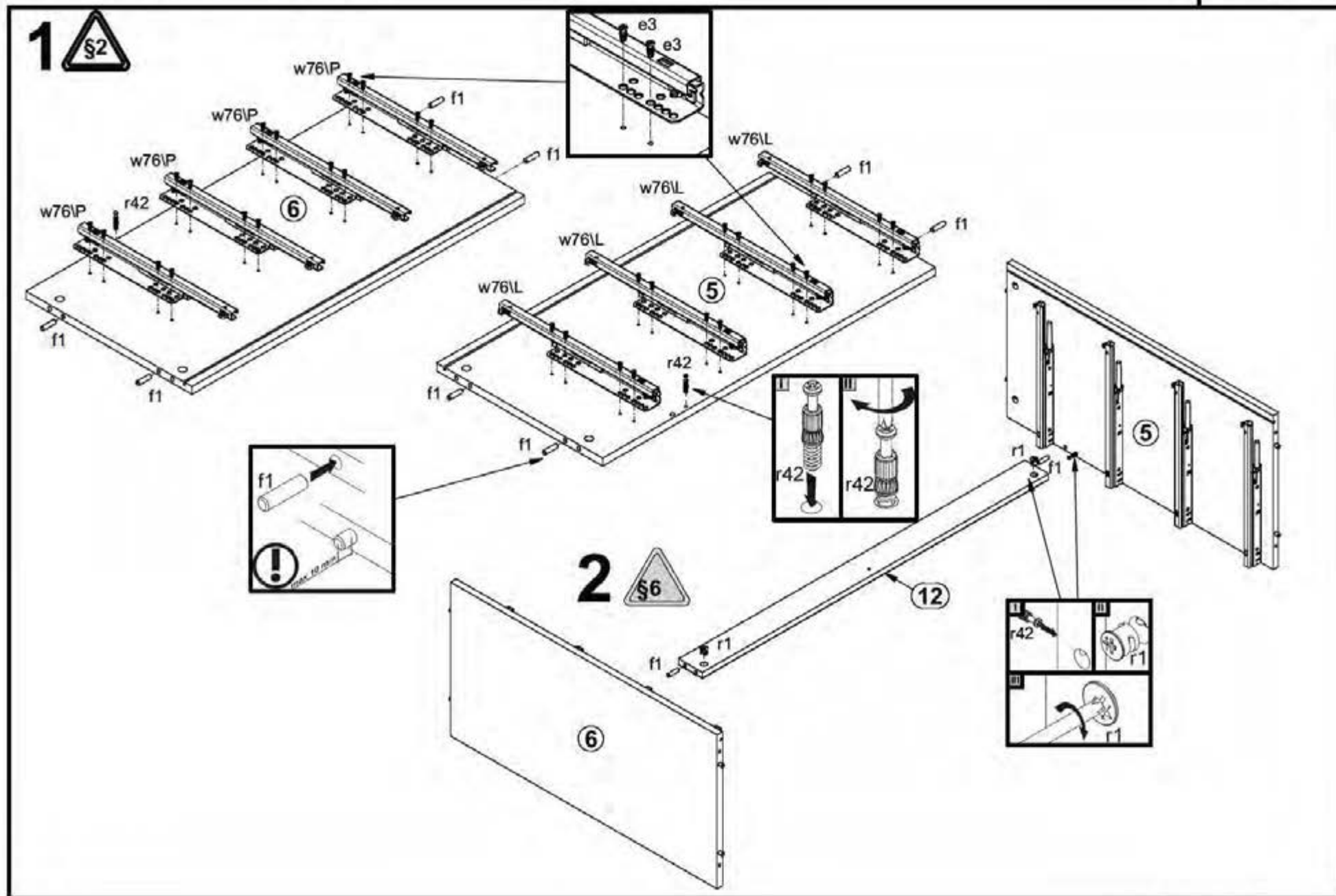
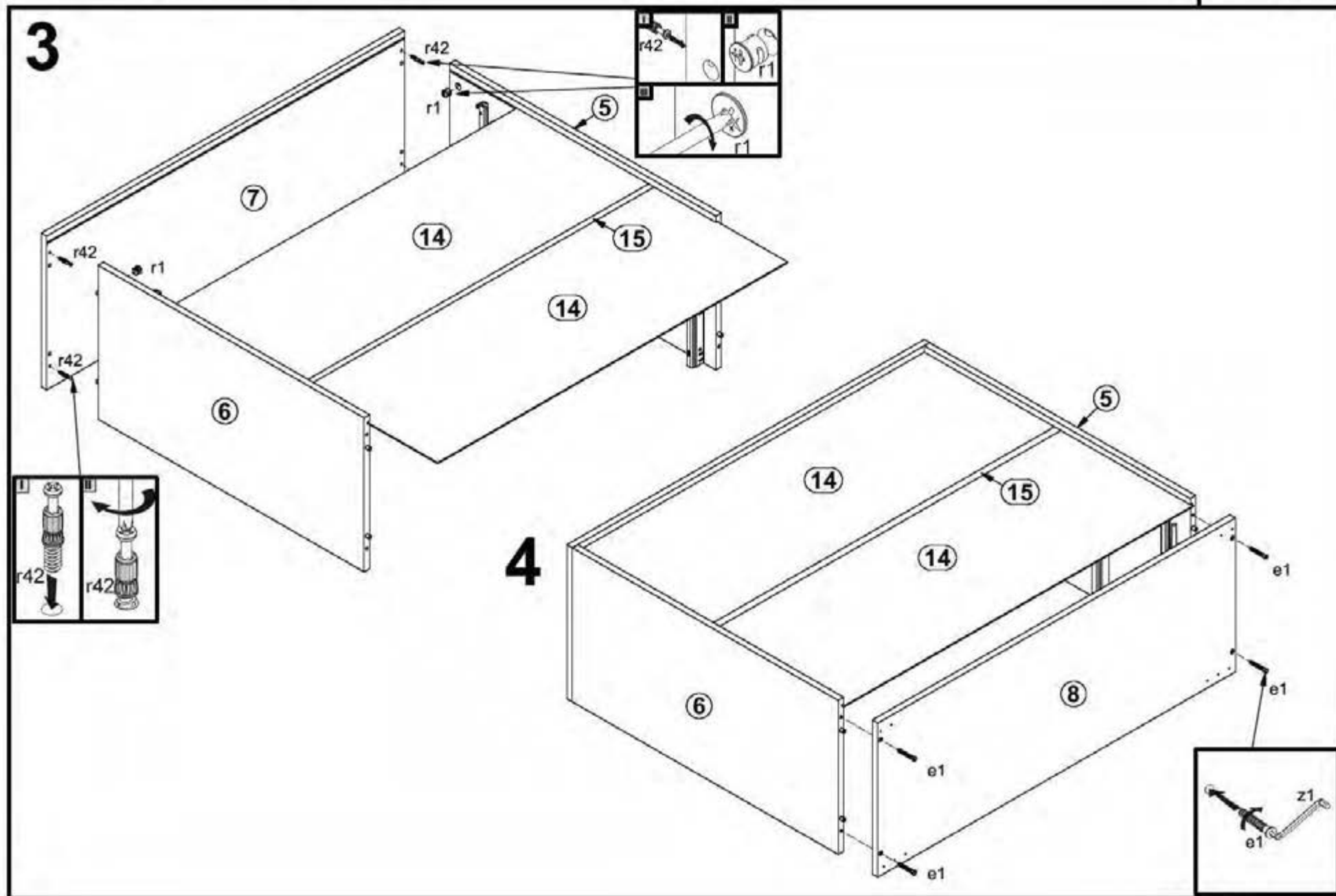


A	B	C (mm)		D
1	S205 001	200	1046	2/2
2	S205 002	200	1046	2/2
3	S205 003	200	1046	2/2
4	S205 004	200	1046	2/2
5	S205 101	781	390	1/2
6	S205 102	781	390	1/2
7	S205 201	1050	390	1/2
8	S205 202	1050	390	1/2
9	S205 501	350	105	1/2
10	S205 502	350	105	1/2
11	S205 503	977	91	1/2
12	S205 571	1017	70	1/2
13	S205 901	991	358	1/2
14	S205 951	1027	395	1/2
15	Lh 1010	1010	16	1/2



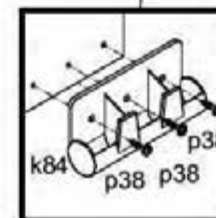
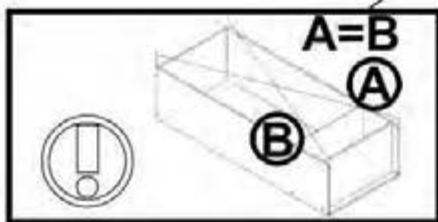
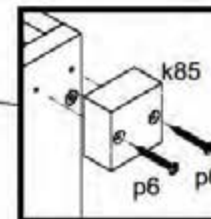
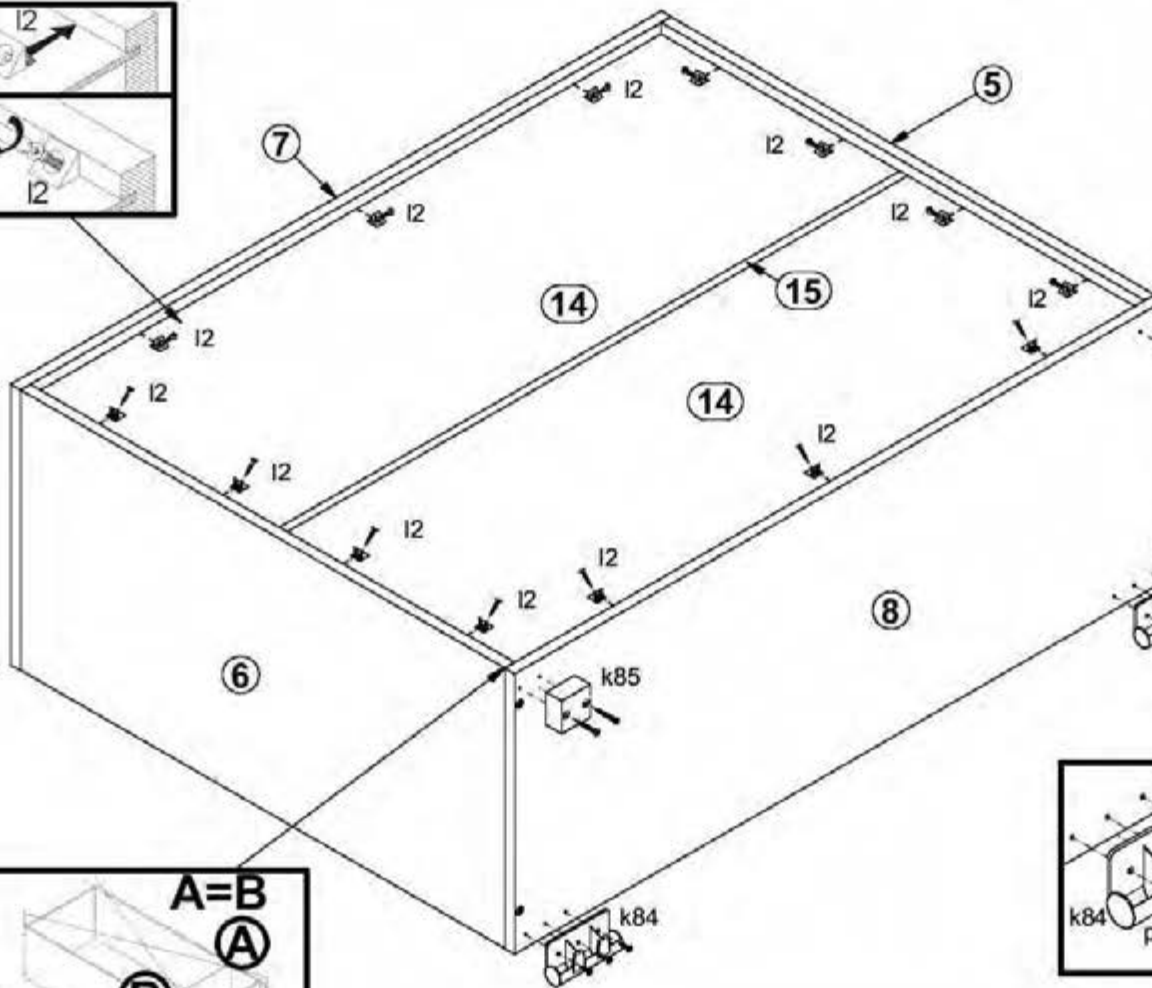
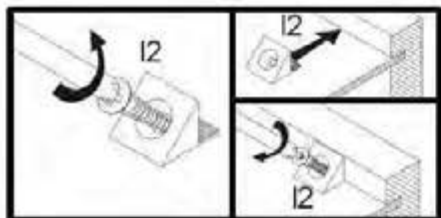
- 20x e1  
ø7x50 mm
- 14x l2
- 2x k84
- 2x k85
- 22x r1  
ø15x1.3mm ø16
- 18x f1  
ø8x30 mm
- 32x e3  
ø6x13 mm
- 18x s2  
ø16
- 22x r42
- 16x p25  
ø7.5x15 mm
- 8x p55  
ø2.5x16 mm
- 4x w76IP  
350 mm
- 1x z1
- 4x p6  
ø4x33 mm
- 31x p38  
ø7.2x36 mm
- 1x f3  
ø10x20 mm
- 1x p17  
ø6x50 mm
- 1x n26
- 4x w76L  
350 mm
- 8x t35  
350 mm

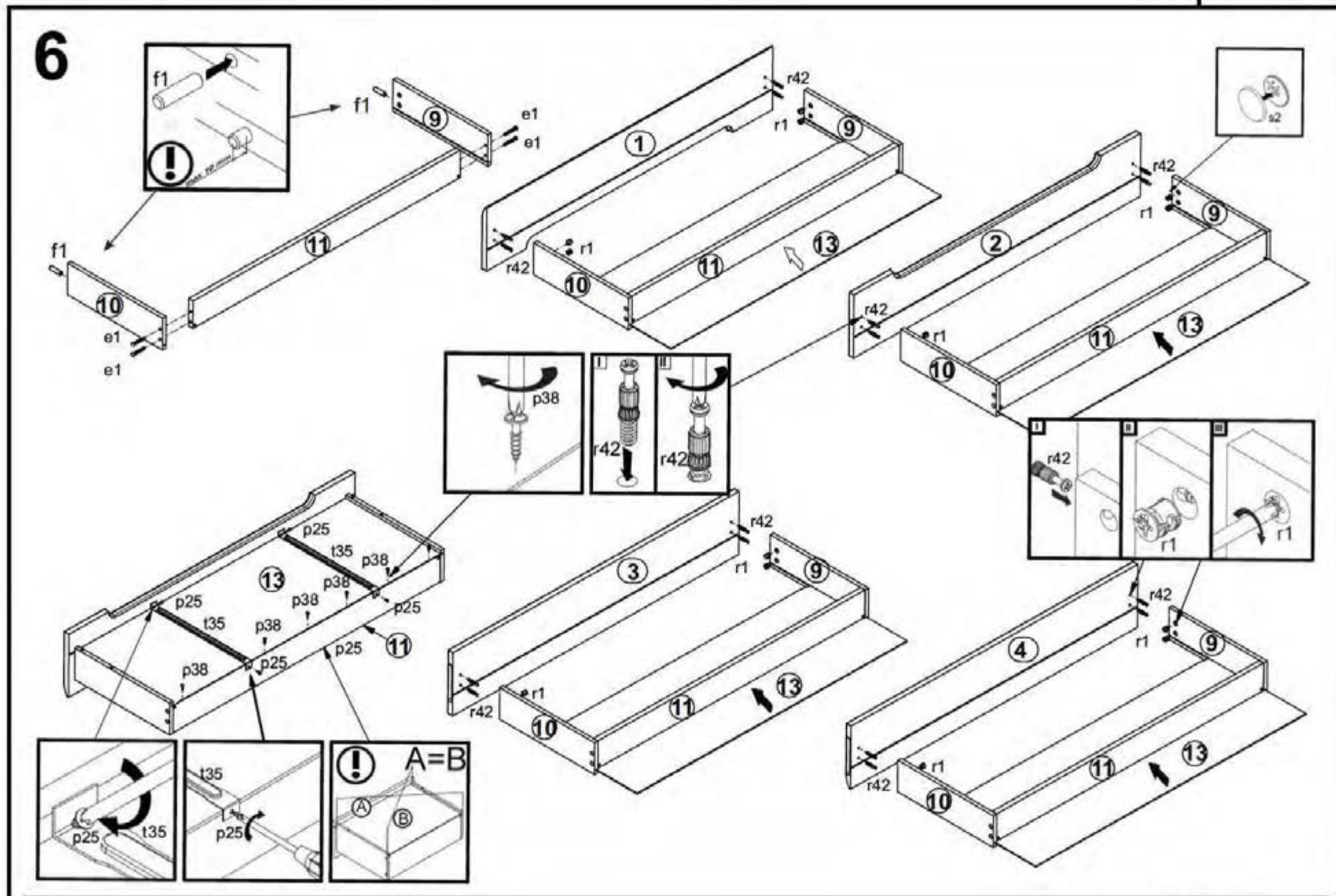




F28-5205-KOM4S 8 11

# 5





7

