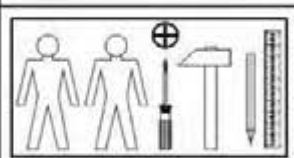
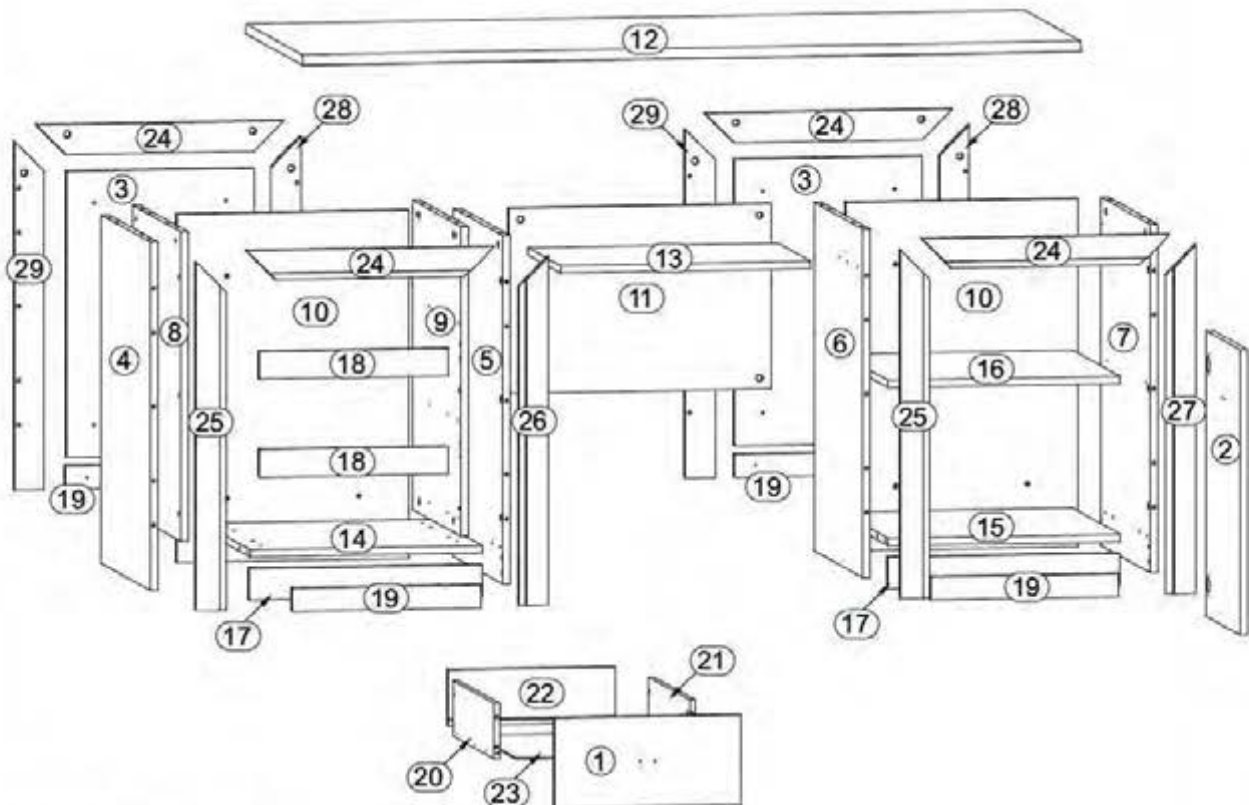
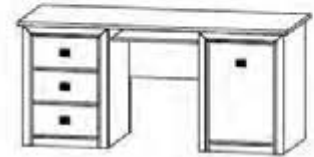
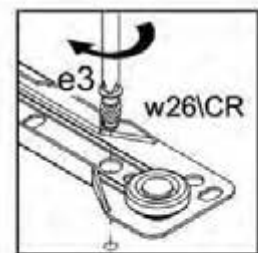
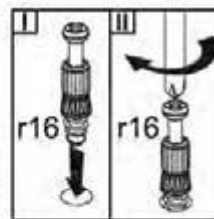
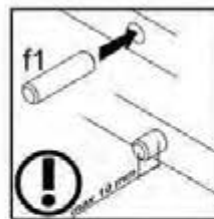
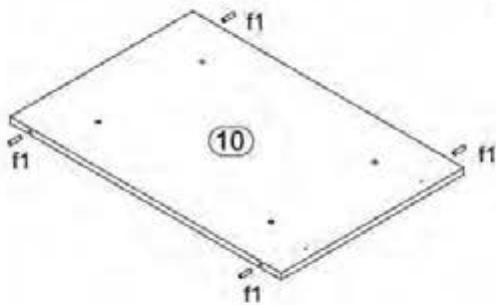
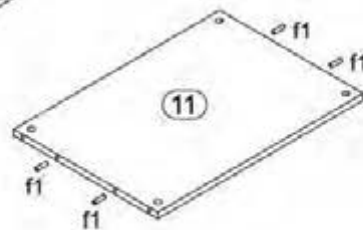
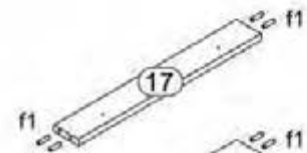
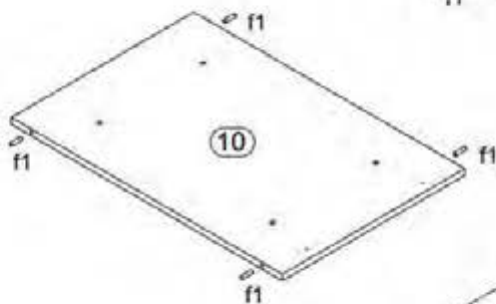
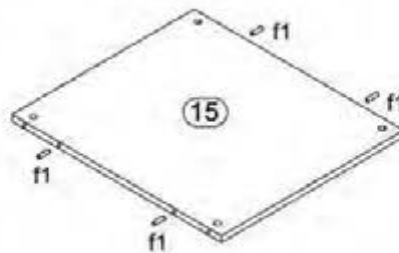
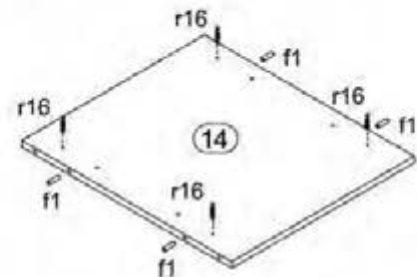
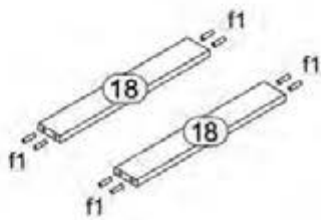
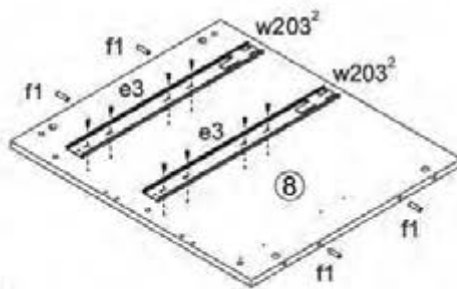
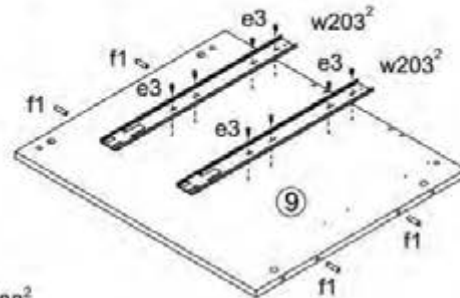
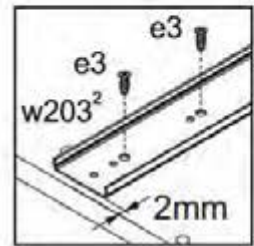
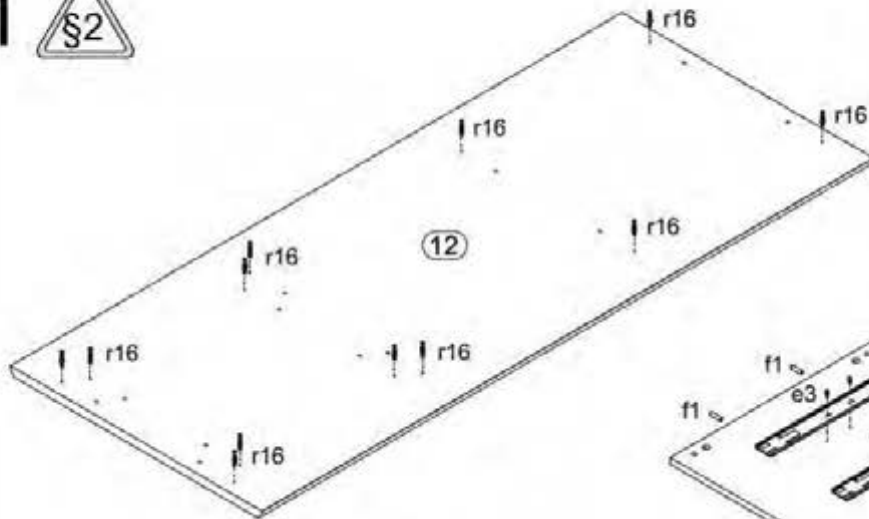


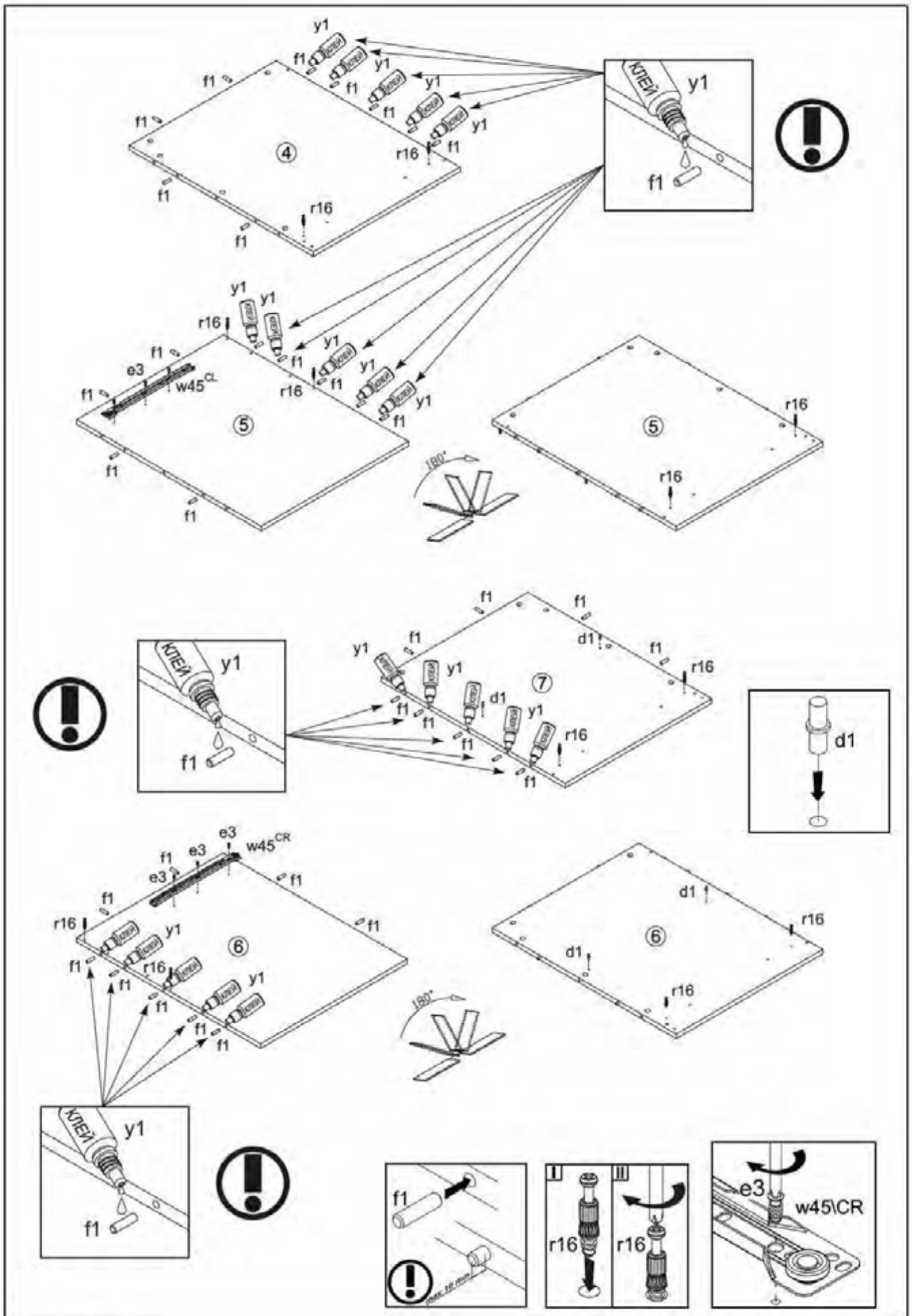
A	B	C	D	A	B	C	D		
1	S136 0052	406	194	5/5	16	S136 344	507	583	3/5
2	S136 0039	617	406	5/5	17	S136 447	507	68	1/5
3	S136 555	619	409	5/5	18	S136 449	413	60	1/5
4	S136 168	753	600	2/5	19	S136 448	411	50	3/5
5	S136 169	753	600	2/5	20	S136 5509	500	120	2/5
6	S136 172	753	600	2/5	21	S136 5510	500	120	2/5
7	S136 173	753	600	2/5	22	S136 5520	355	120	3/5
8	S136 1122	669	583	1/5	23	S136 943	499	370	3/5
9	S136 1123	689	583	1/5	24	S136 5570	541	65	4/5
10	S136 5568	753	507	2/5	25	S136 550	753	65	4/5
11	S136 450	572	400	3/5	26	S136 551	753	65	4/5
12	S136 225	1700	700	1/5	27	S136 553	753	65	4/5
13	S136 340	567	400	1/5	28	S136 556	753	65	4/5
14	S136 341	507	583	3/5	29	S136 557	753	65	4/5
15	S136 336	507	583	3/5					

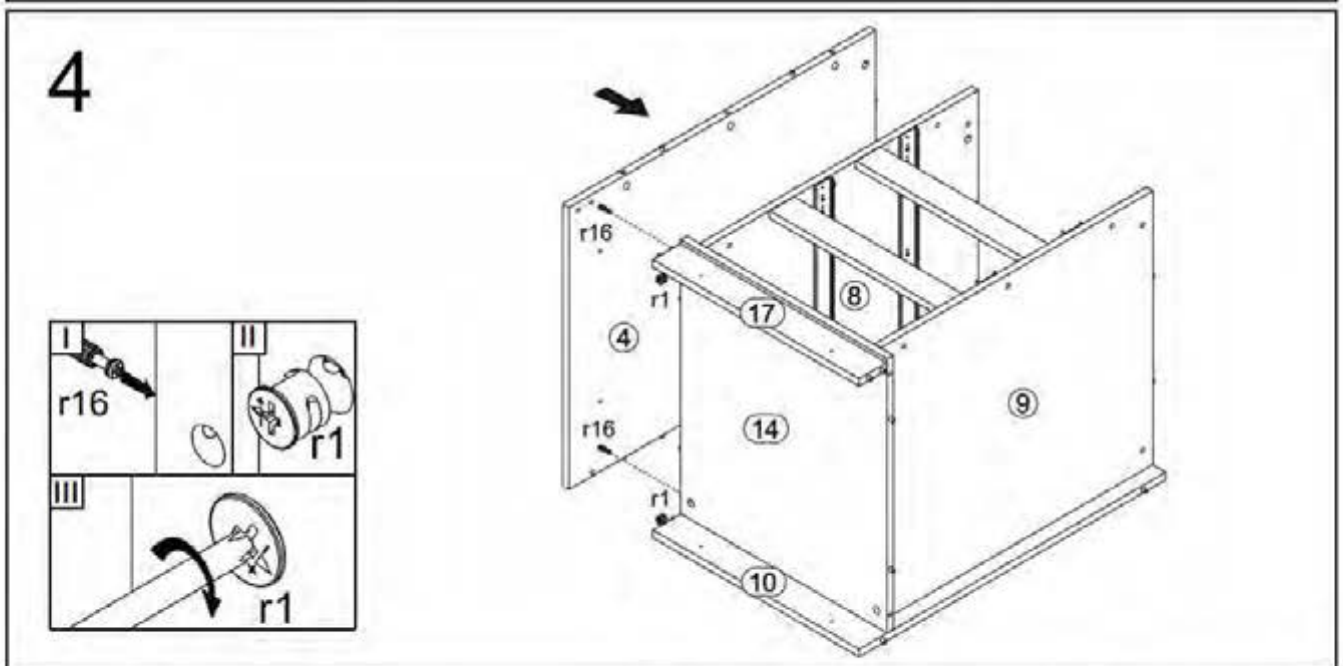
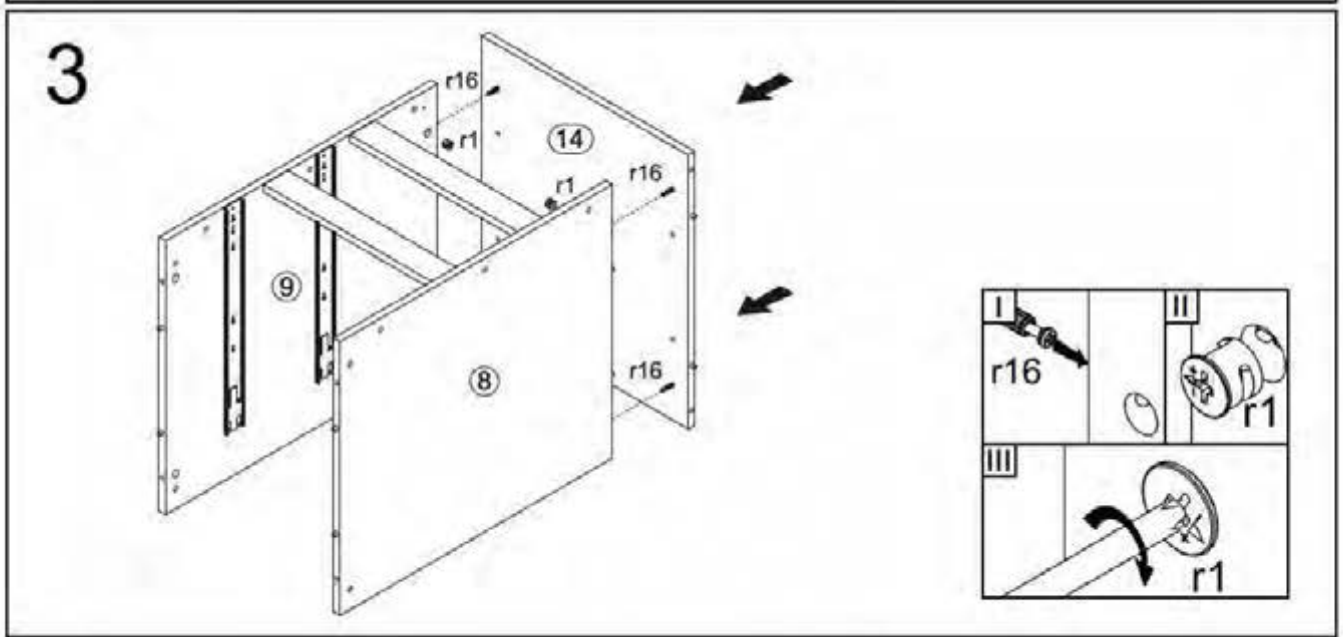
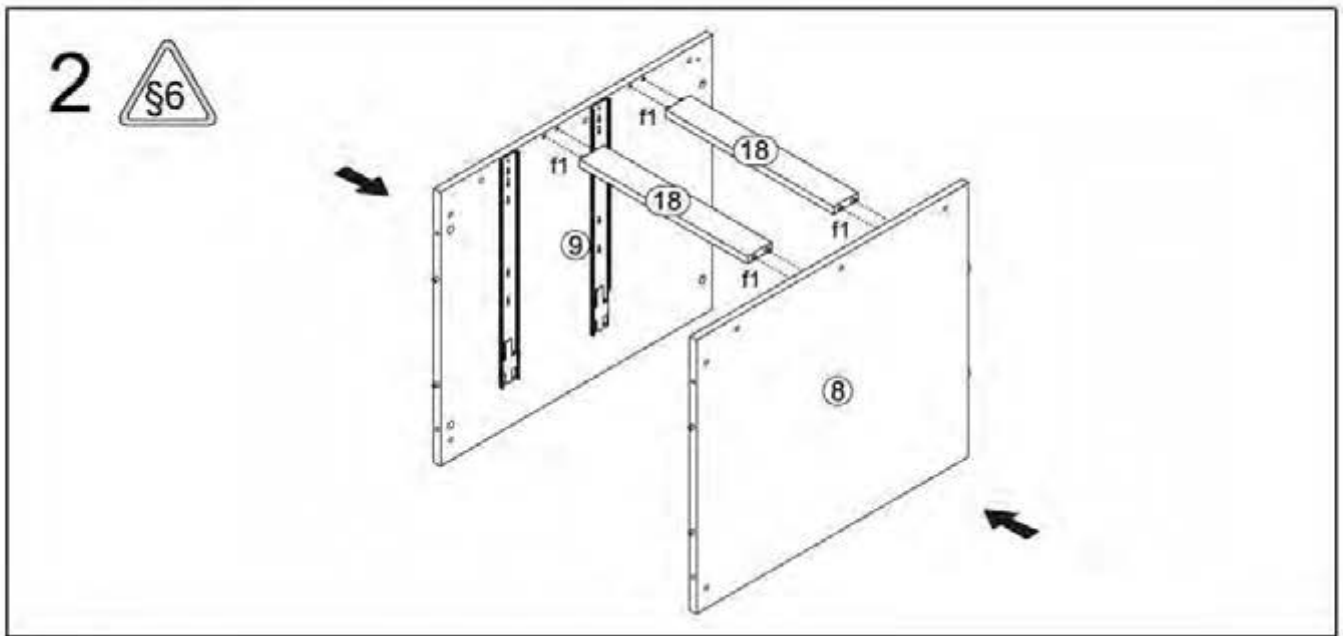


2x a99	2x b43	4x c317	4x d1	4x e2	30x e3	8x e22	12x e32	88x f1
8x j30	8x k1	4x p27	4x p51	8x p94	24x p140	68x r1	8x r10	52x r16
26x s2	1x w45 ^{CL}	1x w45 ^{CR}	1x w45 ^{DL}	1x w45 ^{DR}	6x w203 ¹	6x w203 ²	1x y1	1x z1

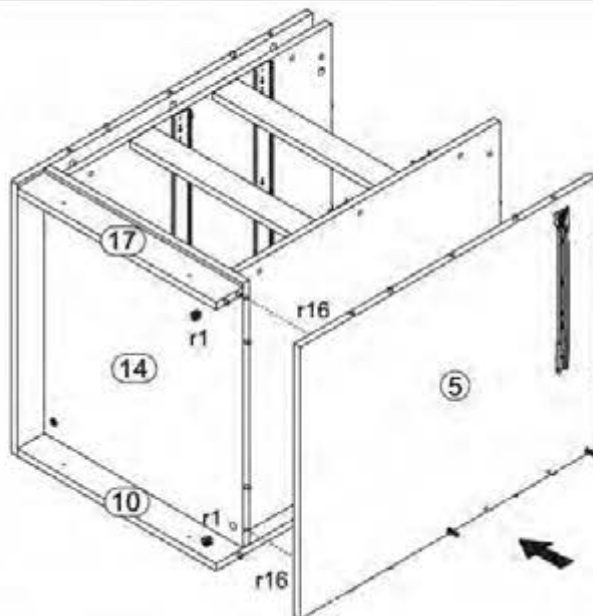
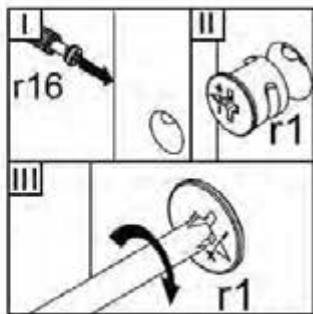
1



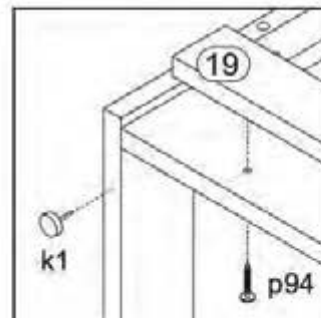
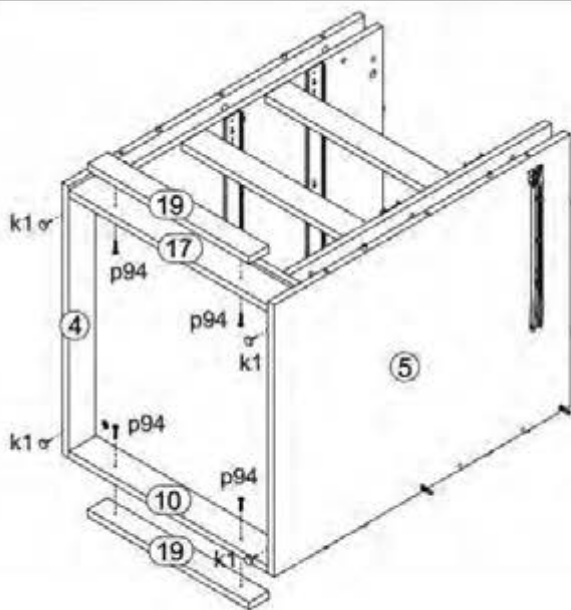




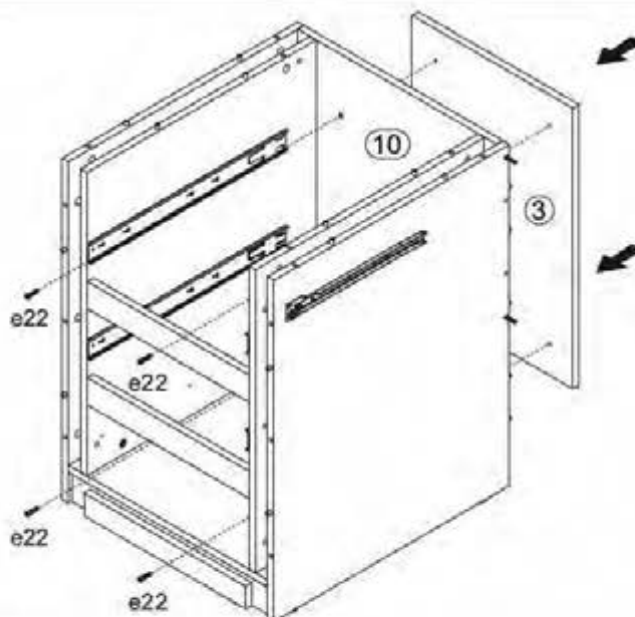
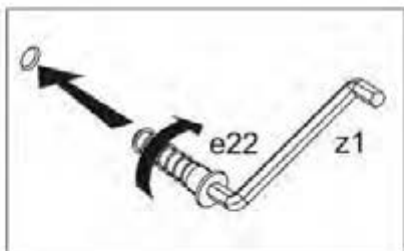
5



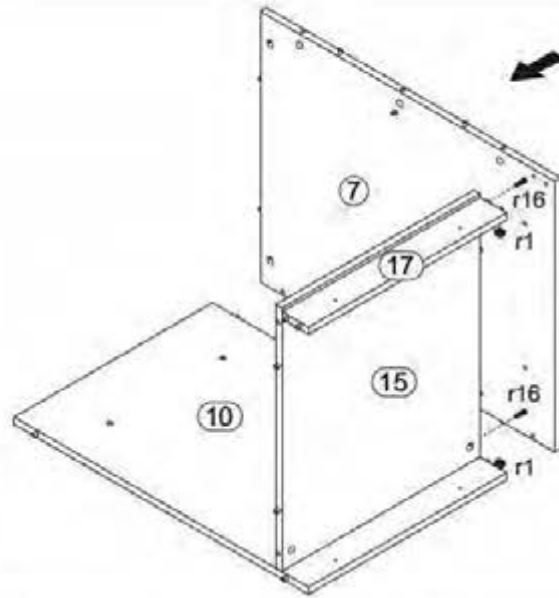
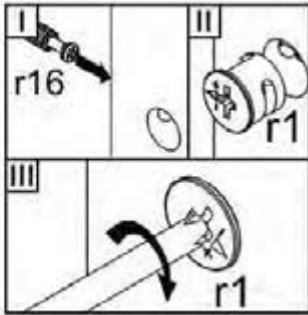
6



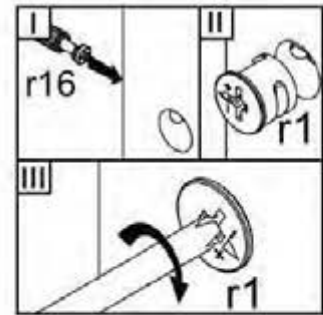
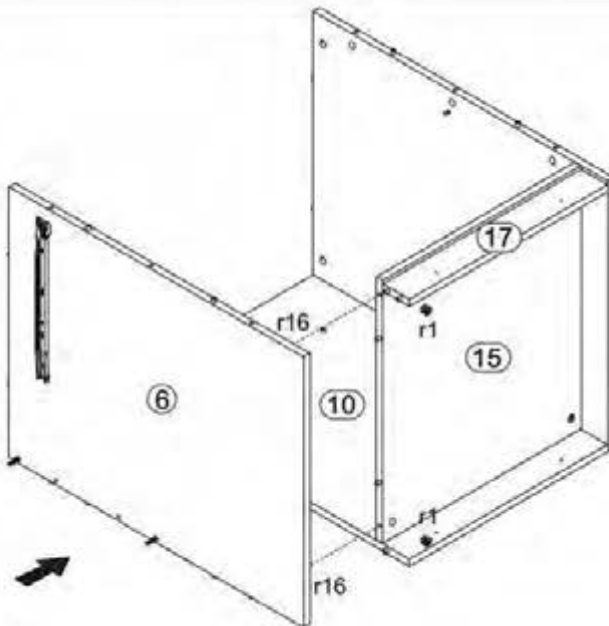
7



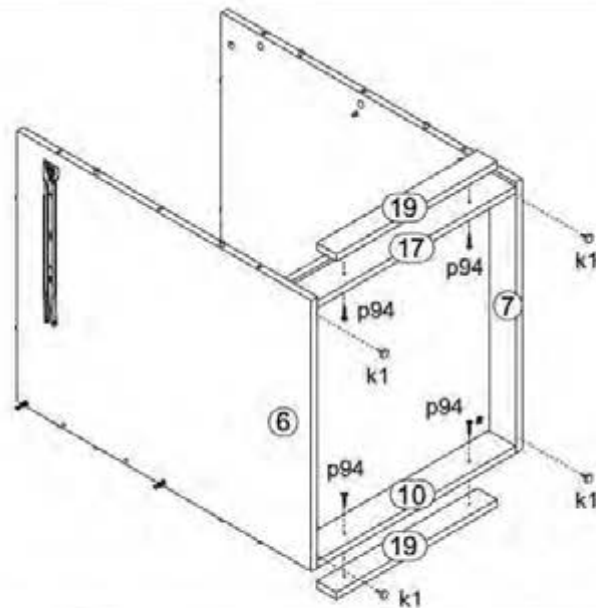
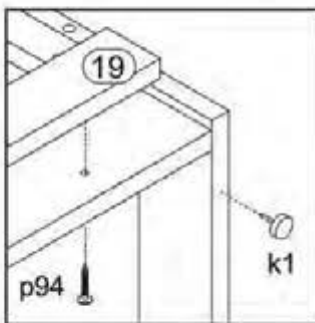
8



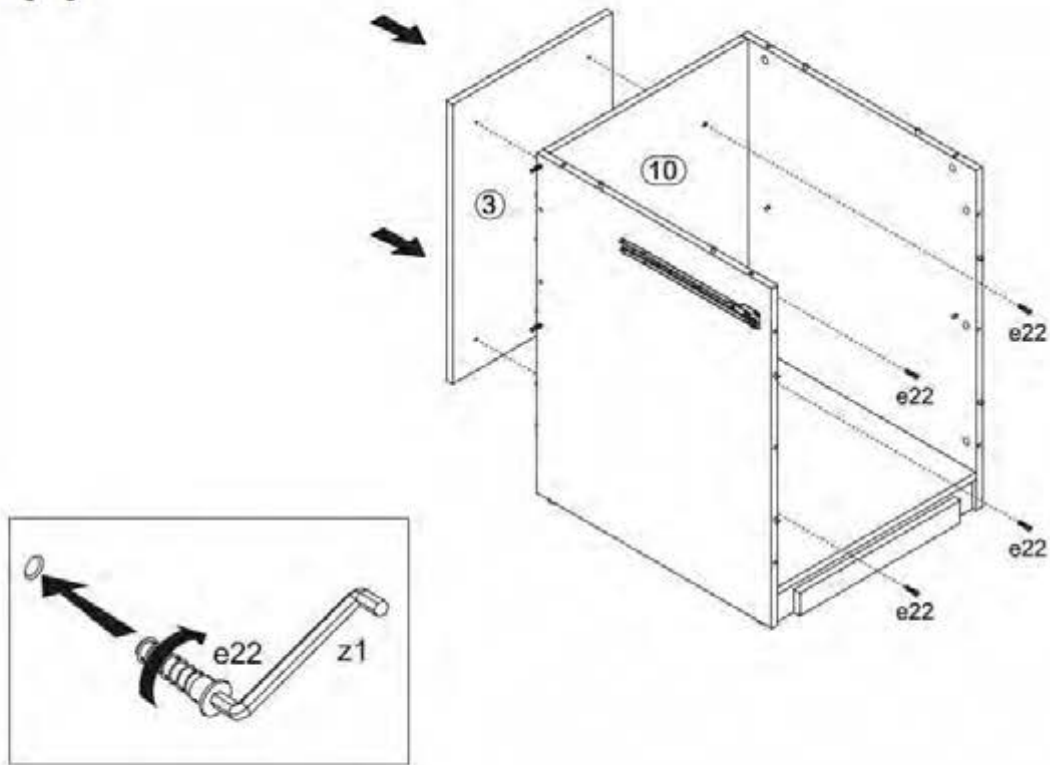
9



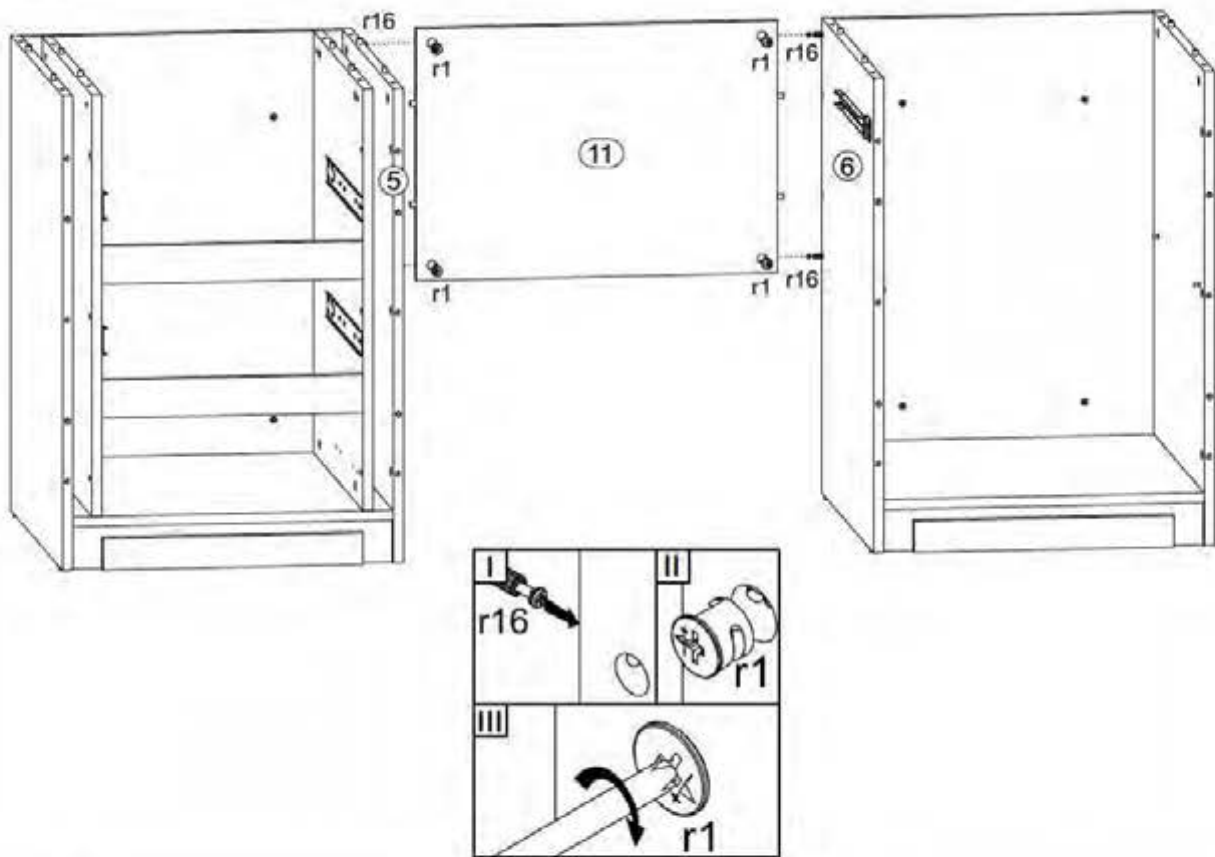
10



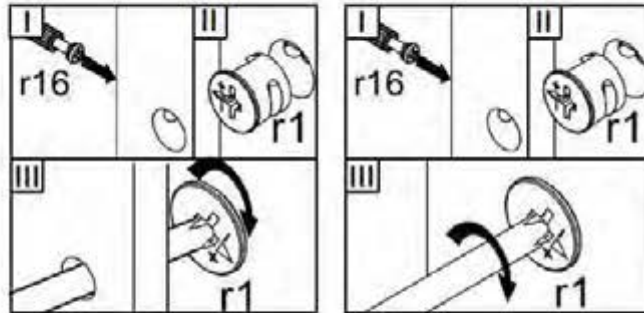
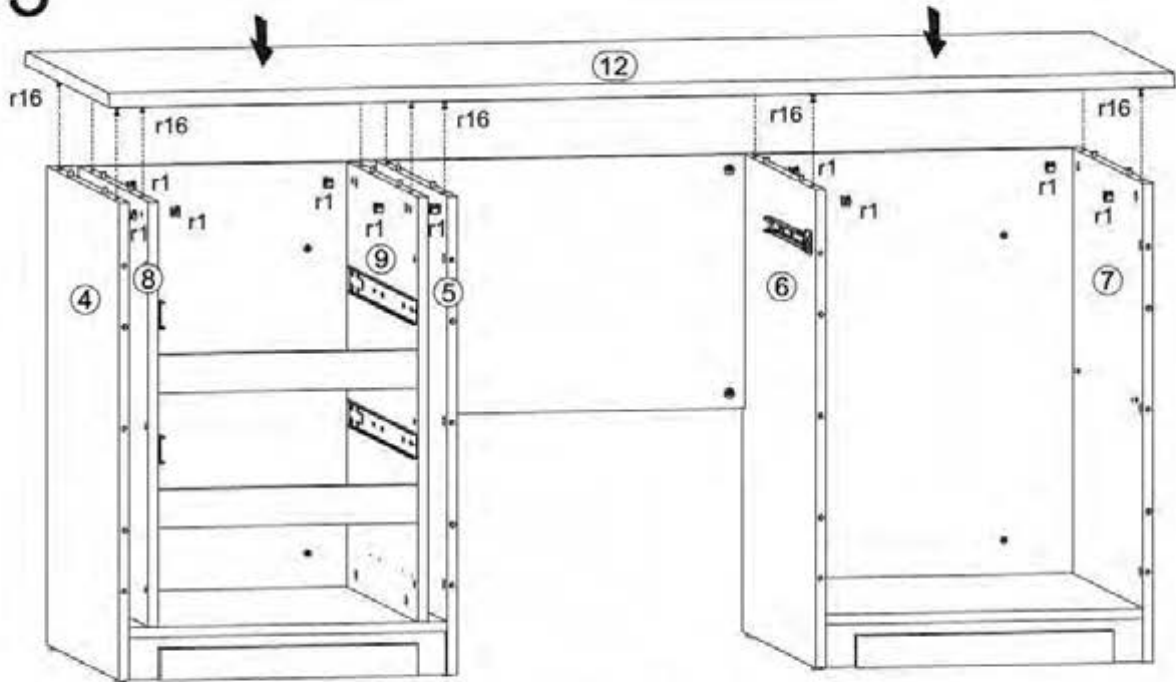
11



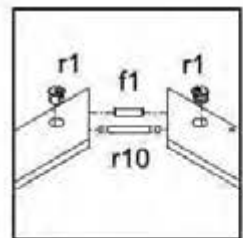
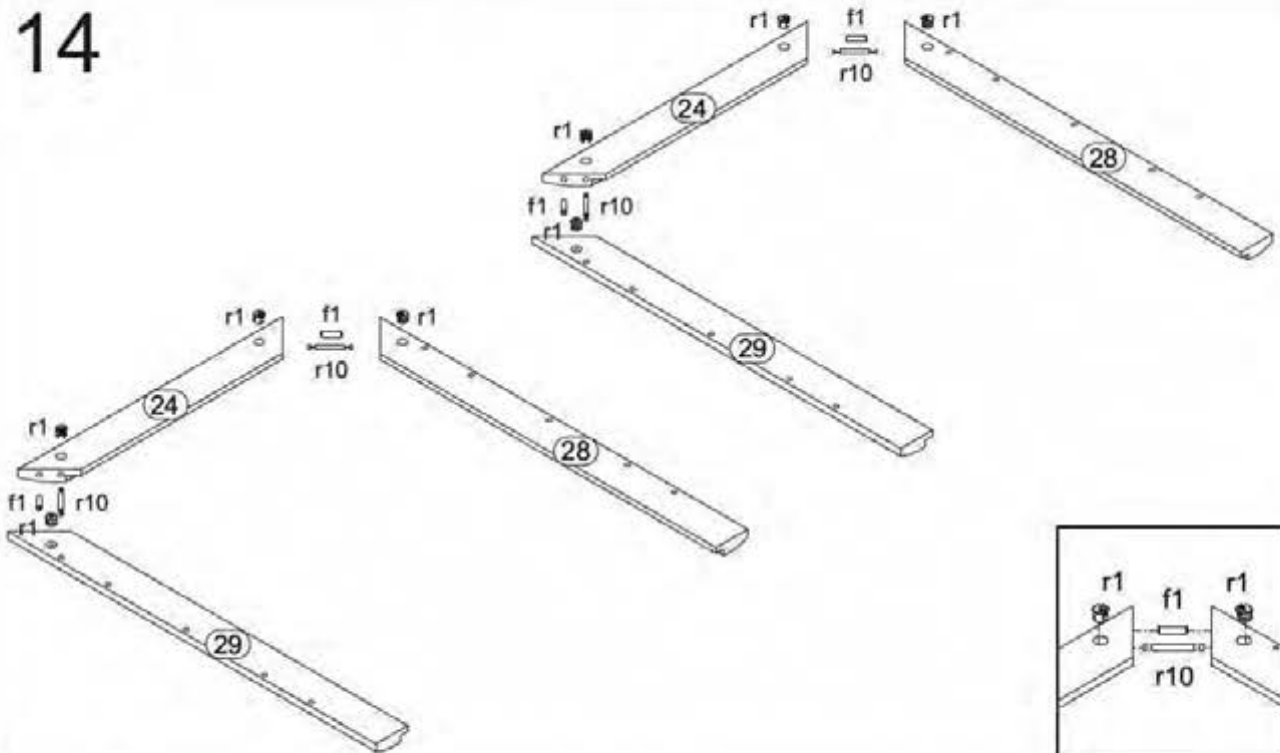
12



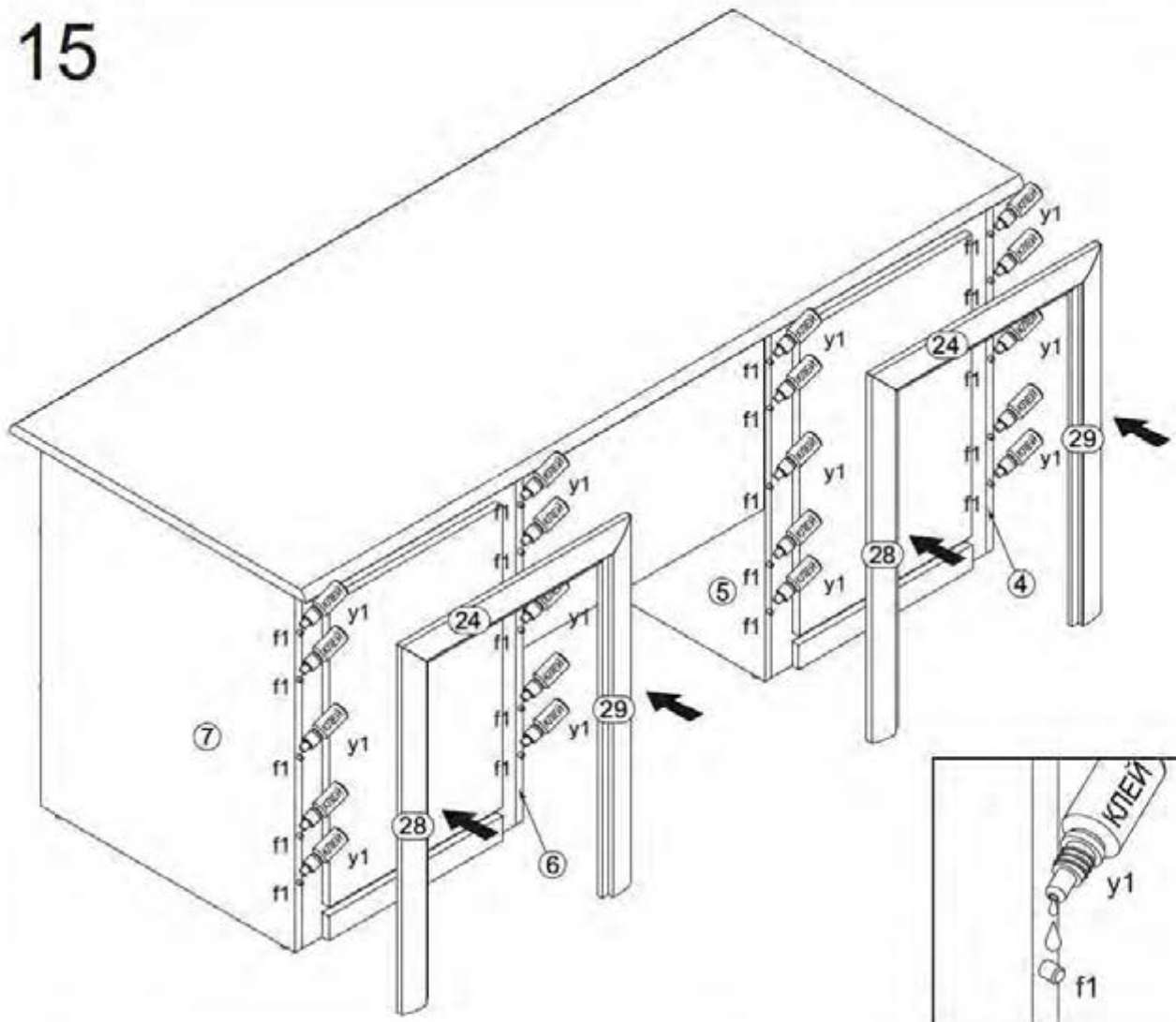
13



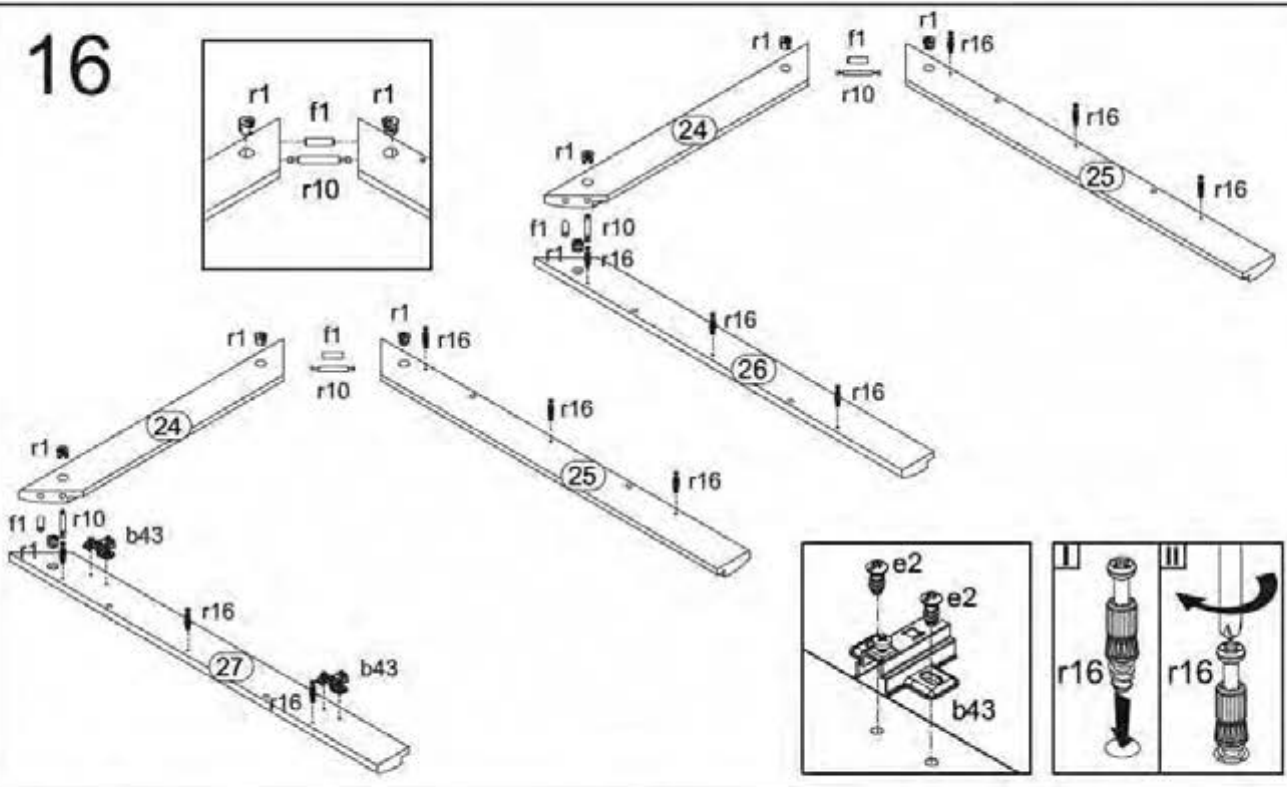
14



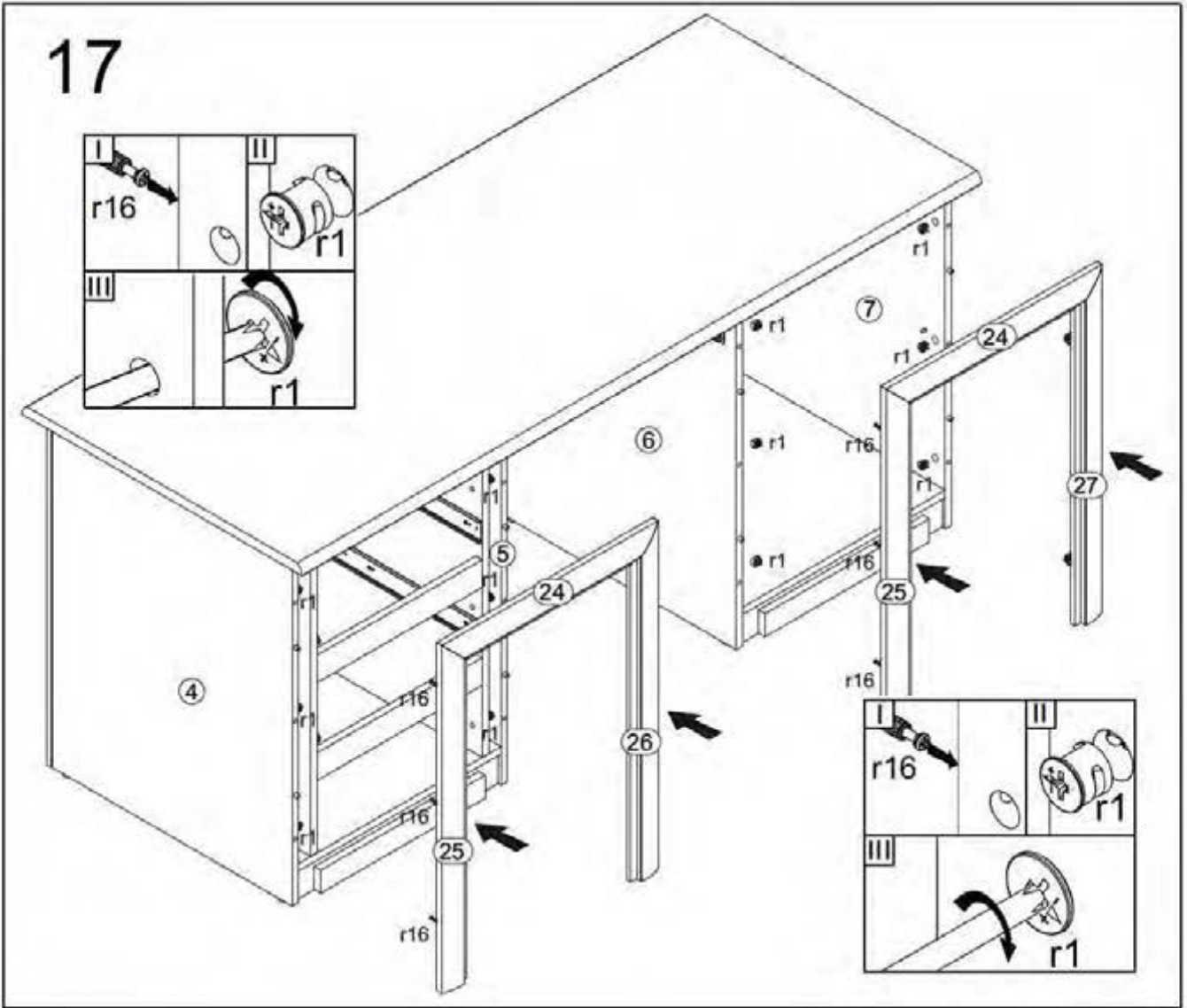
15



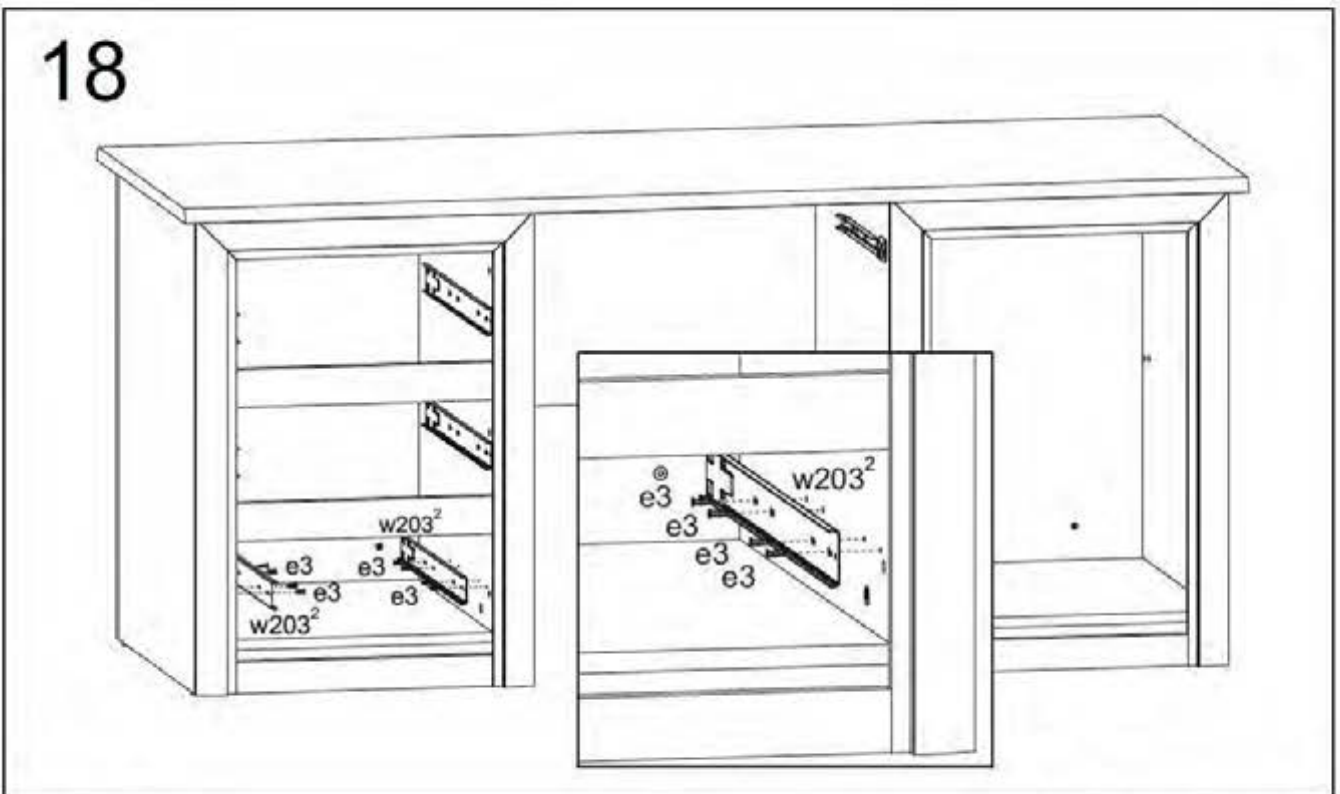
16



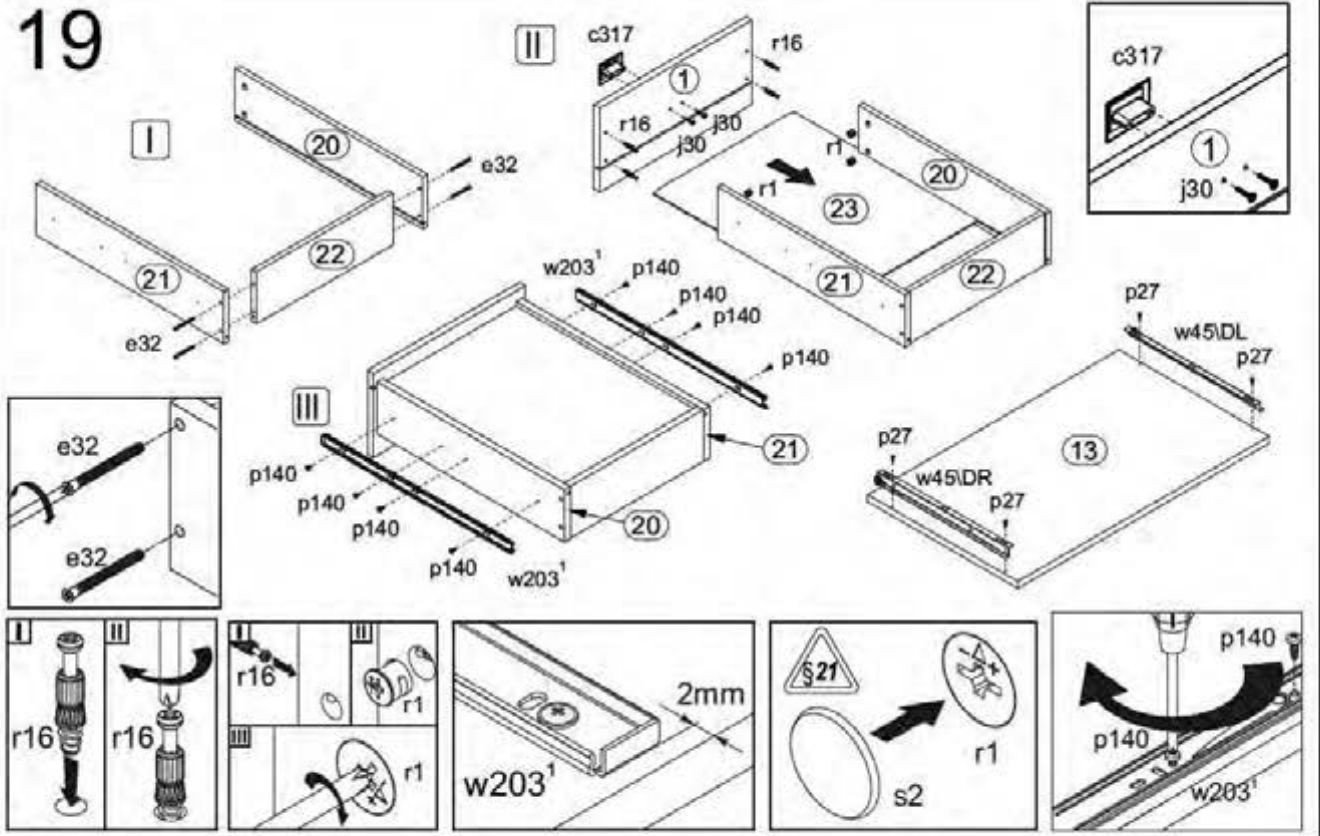
17



18



19



20

