

**60 min**

**§1**

A	B	C (mm)	D
1	S205 005	200	596 2/2
2	S205 006	200	596 2/2
3	S205 007	200	596 2/2
4	S205 008	200	596 2/2
5	S205 103	984	390 1/2
6	S205 104	984	390 1/2
7	S205 203	600	390 1/2
8	S205 204	600	390 1/2
9	S205 501	350	105 1/2
10	S205 502	350	105 1/2
11	S205 504	527	91 1/2
12	S205 572	567	70 1/2
13	S205 902	541	358 1/2
14	S205 952	994	288 1/2
15	Lh 980	980	14 1/2

cm

24x

47x30 mm e1

10x

42x16 mm l2

2x

k84

10x

42.9x16 mm p55

26x

43.5x12 mm 416 r1

20x

48x30 mm f1

40x

48x13 mm e3

22x

16 s2

26x

r42

10x

45.5x16 mm p25

1x

z1

4x

44x35 mm p6

1x

41.9x30 mm f3

1x

45x60 mm p17

5x

350 mm w76IP

5x

350 mm w76IL

5x

350 mm t35

2x

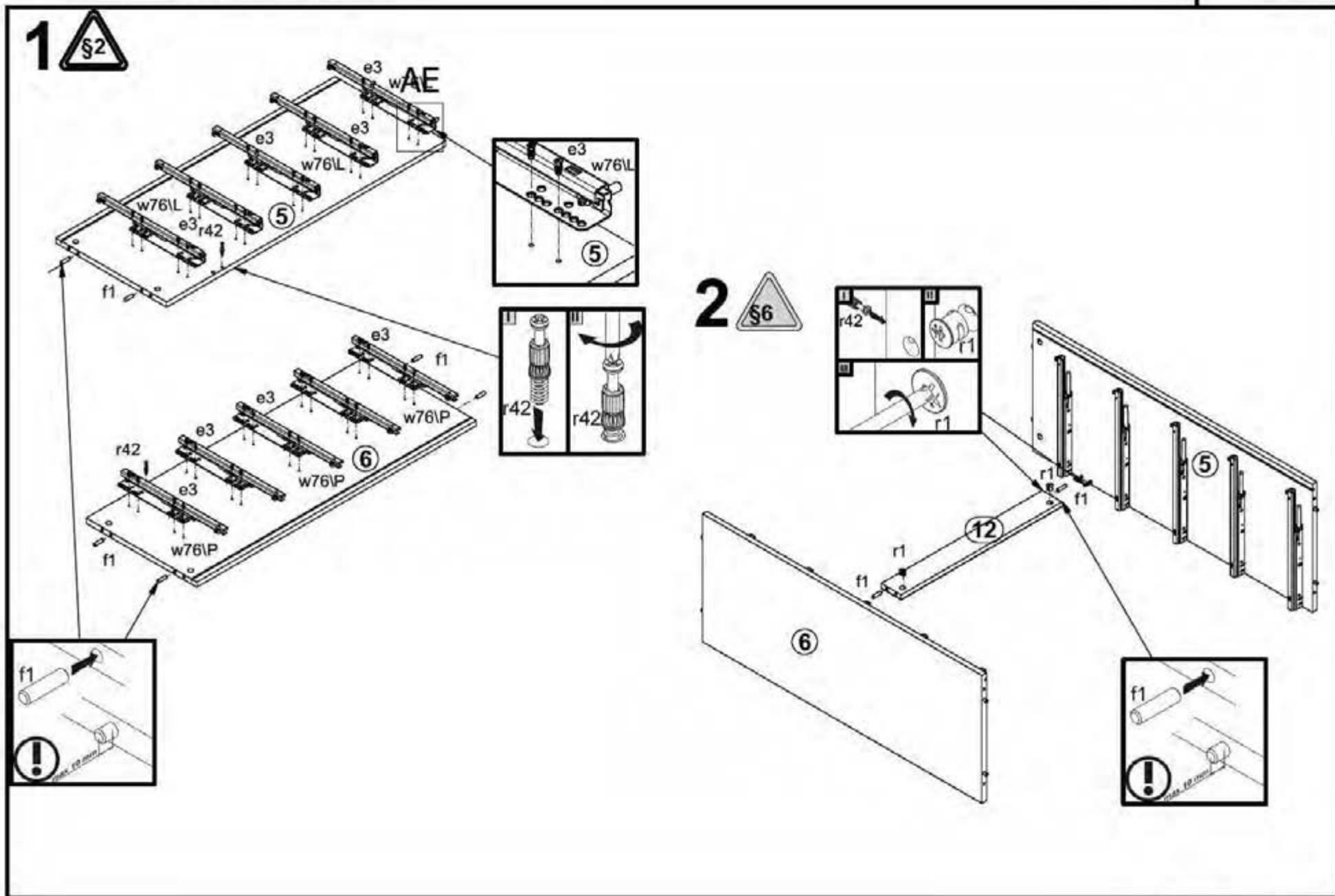
k85

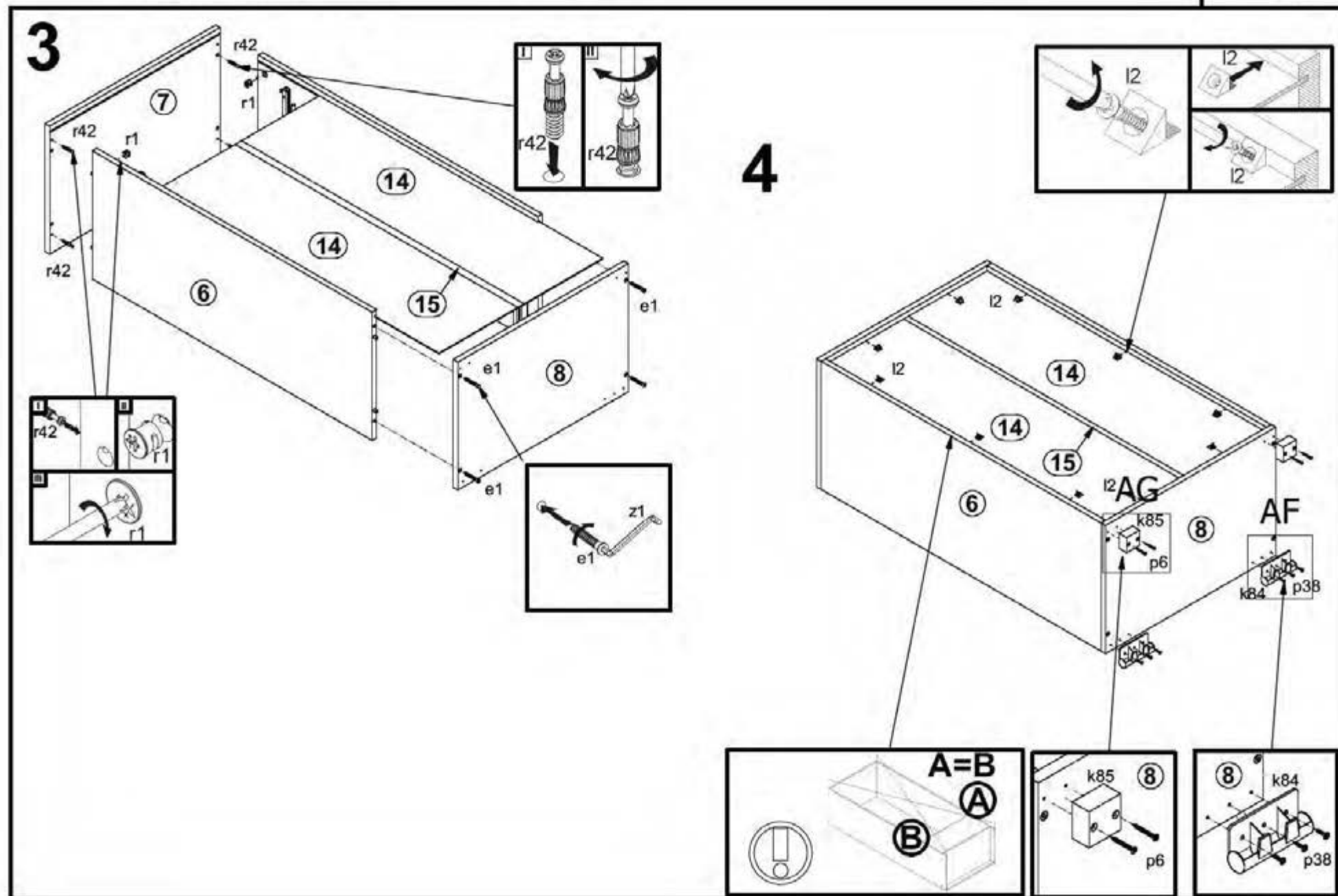
27x

45.5x16 mm p38

1шт.

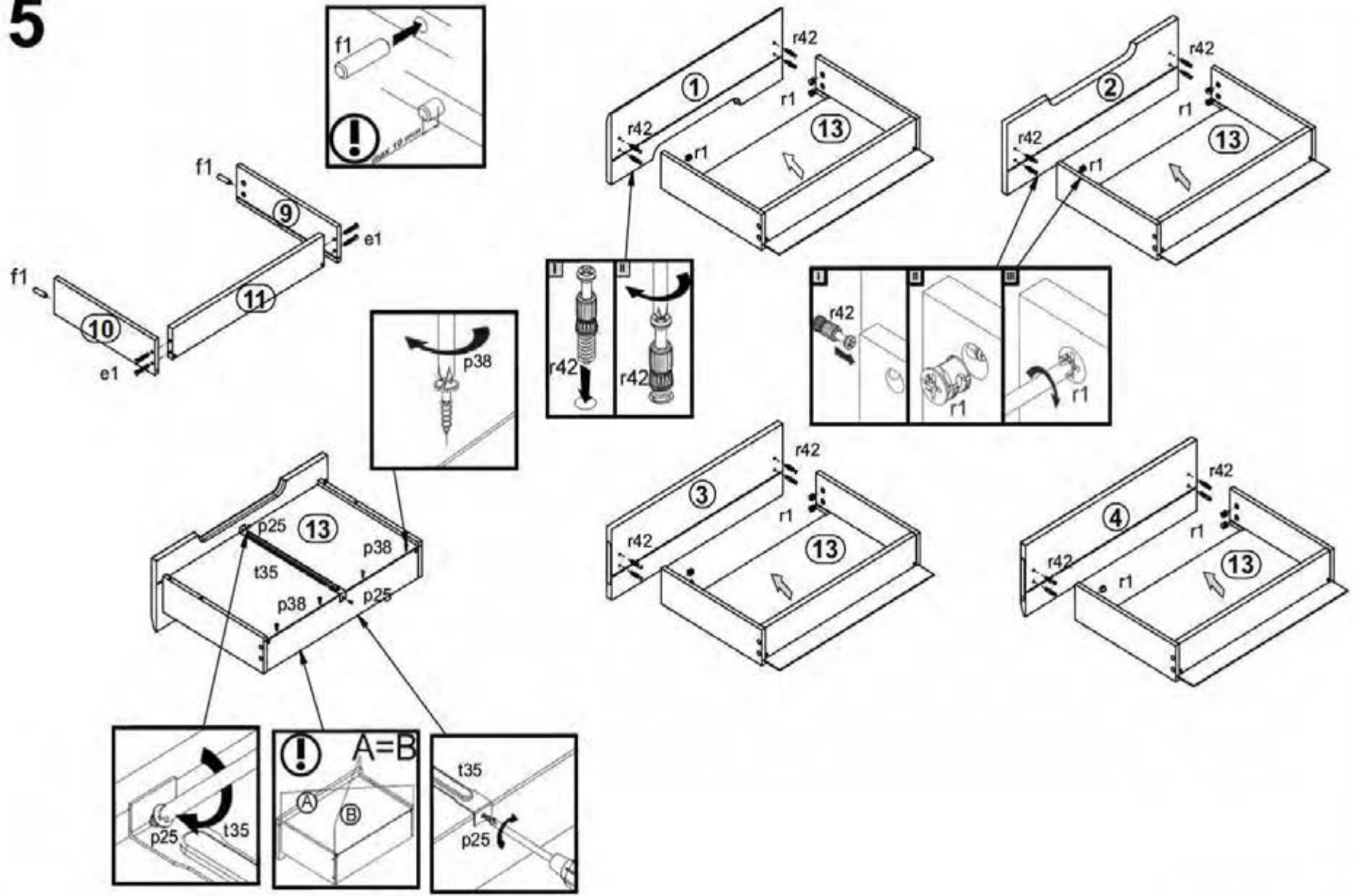
n26







# 5



8

