

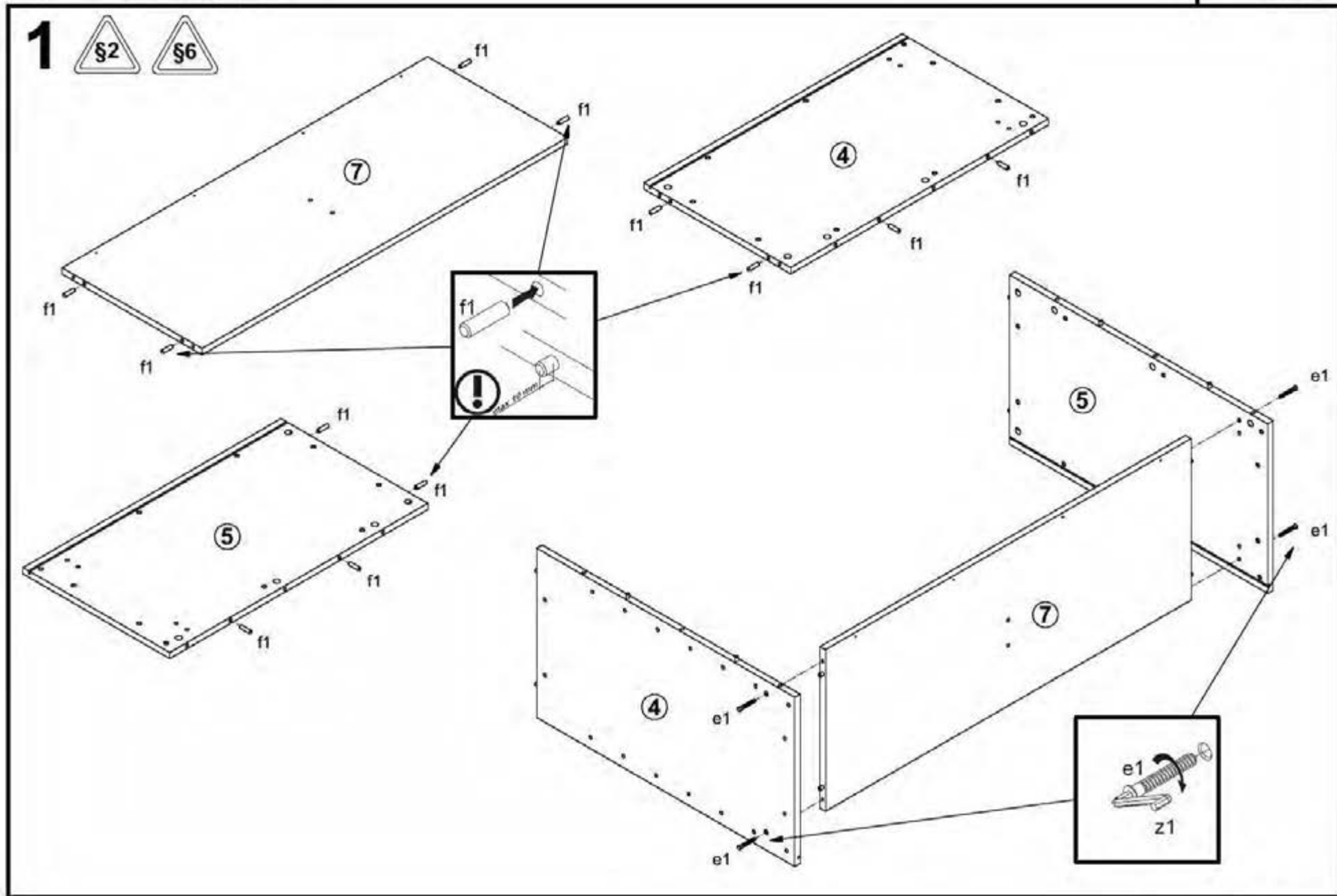
A	B	C (mm)		D
1	S228 0012	984	192	1/2
2	S228 121	666,5	376	2/2
3	S228 122	666,5	376	2/2
4	S228 123	758	431	2/2
5	S228 124	758	431	2/2
6	S228 2208	1106	431	1/2
7	S228 3325	1074	411	1/2
8	S228 4408	978	60	1/2
9	S228 531	147	100	2/2
10	S228N 5511	990	80	1/2
11	S228N 5539	431	80	2/2
12	S228N 5540	766	58	2/2
13	S228N 5541	756	58	1/2
14	S228N 5542	315	80	1/2
15	S228N 5543	1151	80	1/2
16	S228N 5544	1072	60	1/2
17	S228N 5545	756	80	1/2
18	S228N 5546	756	80	1/2
19	S228 957	1084	342	1/2
20	S228 9976	948	358	1/2
21	BPK 511	350	140	2/2
22	BPK 512	350	140	2/2
23	ZBK 510	938	127	1/2
24	S228 959	1084	342	1/2
25	Lh 1044	1044	14	1/2

n 10 mm

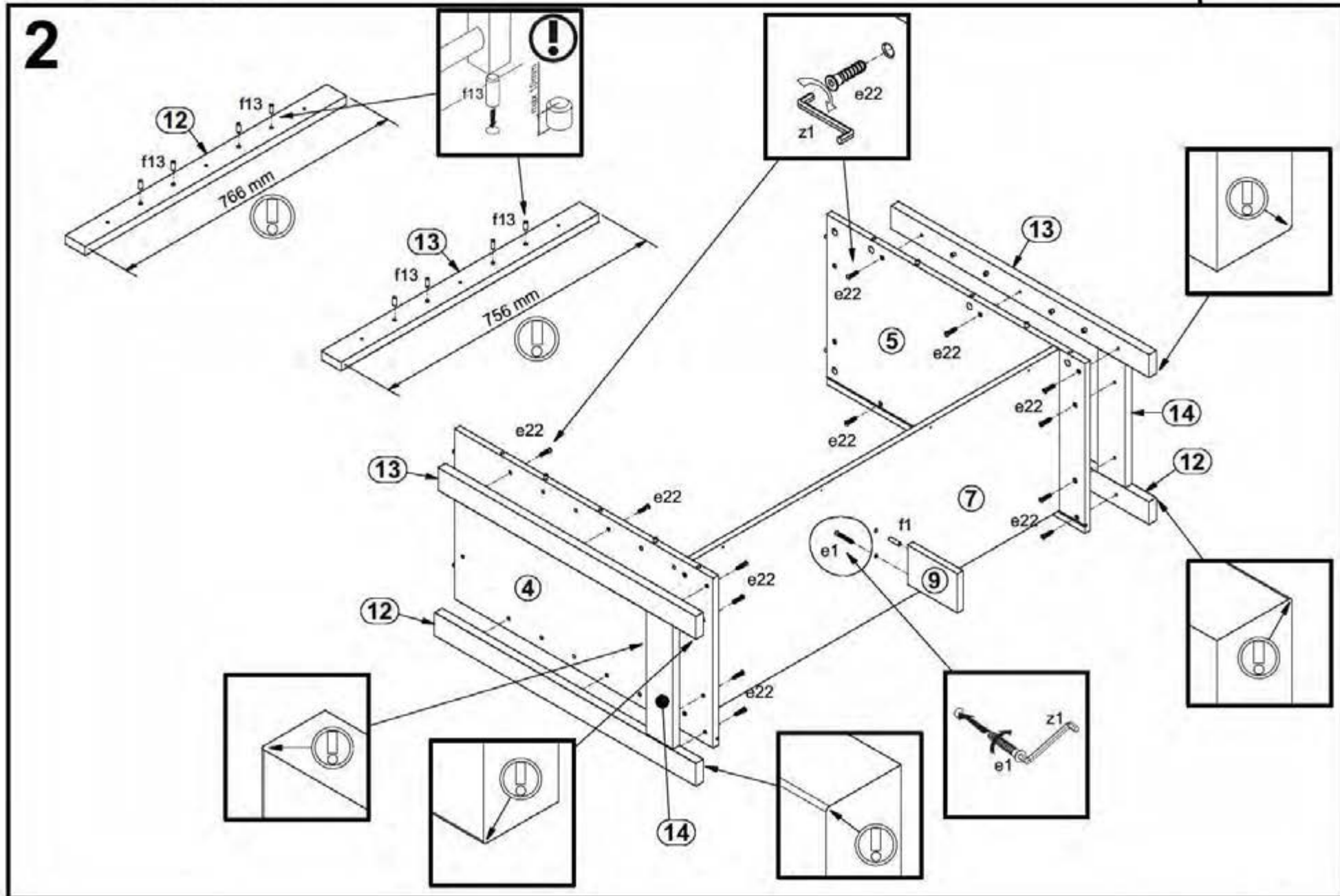


3x 192 mm c28011	4x d36	5x M7x50 mm e1	20x M7x26 mm e22	24x M8x13 mm e3	31x M8x30 mm f1	16x M8x20 mm f13	12x M8,5x40 mm f25	1x M8x60 mm f35	6x M6x22 mm j30	7x k1	2x k101	10x l1
12x l2	1x n1412	1x M6x80 mm p17	3x M3,5x16 mm p25	3x M3,5x10 mm p35	26x M3,5x16 mm p38	8x M3,5x15 mm p51	4x M3,5x20 mm p79	4x M4x25 mm p8	26x M5x12 mm #36 r1	26x M5x11 r42	3x 200 mm t35	1x z1
3x 350 mm W117/L	3x 350 mm W117/P											

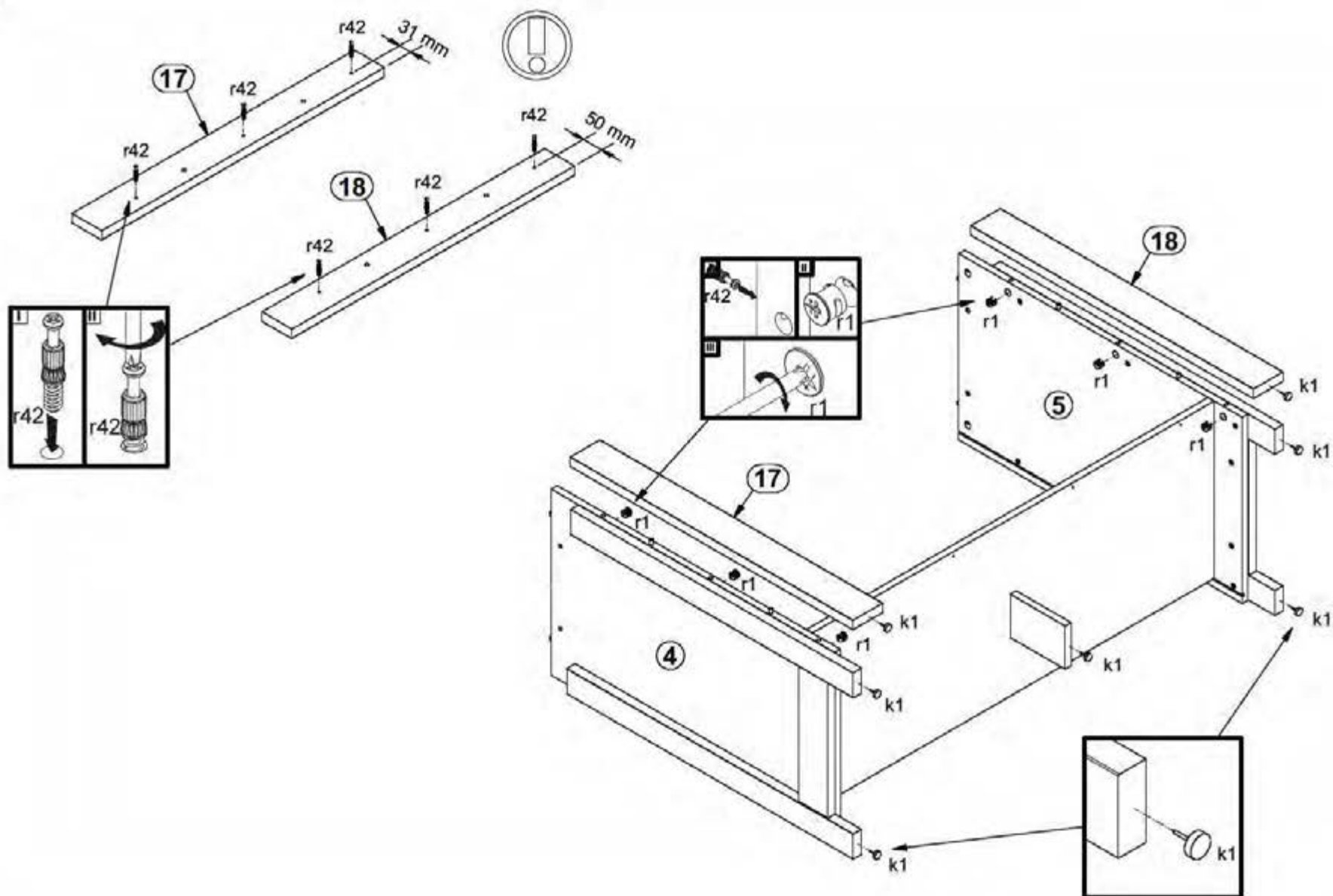
P26-S228-KOM3S 9 12-M IN19-A-KOR01.kdw



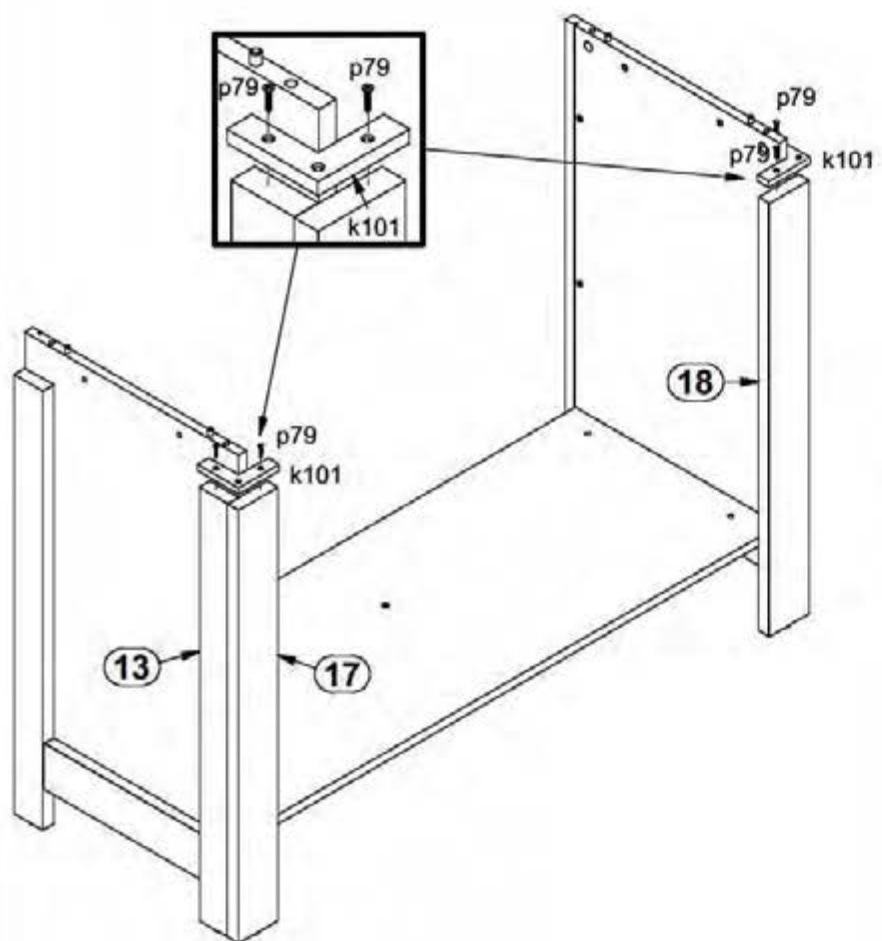
2



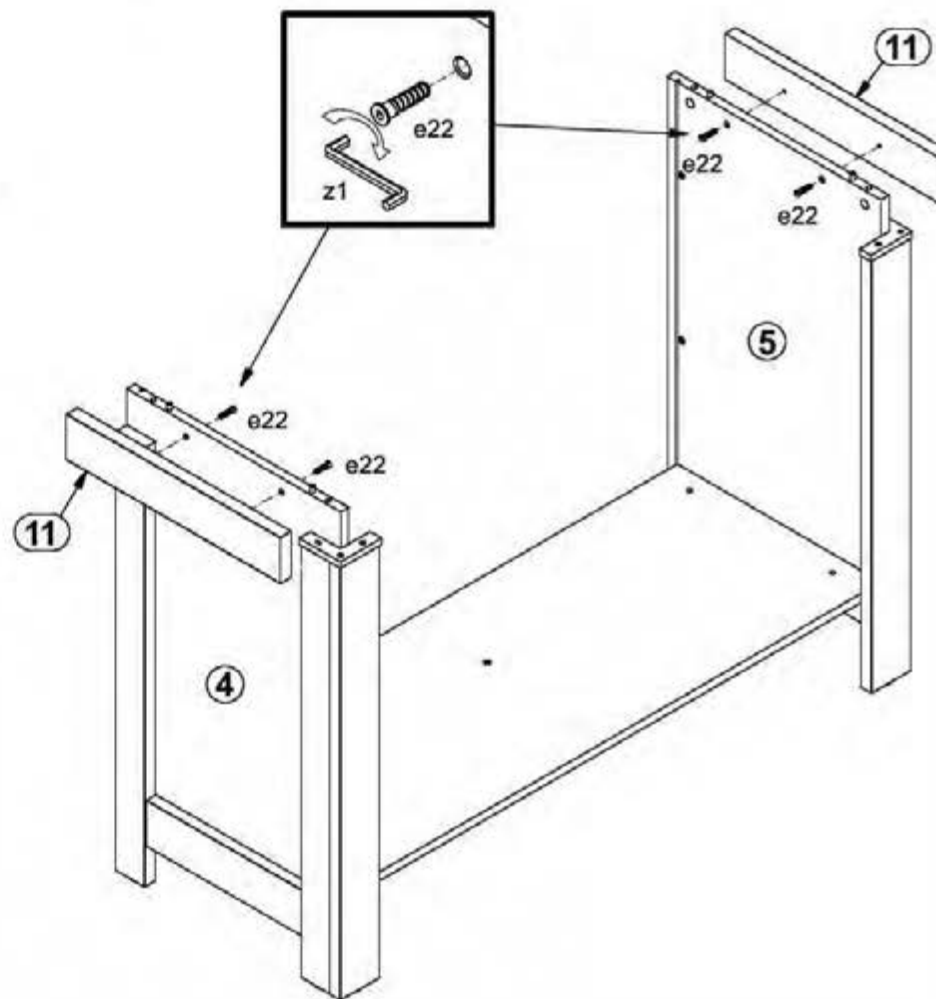
3



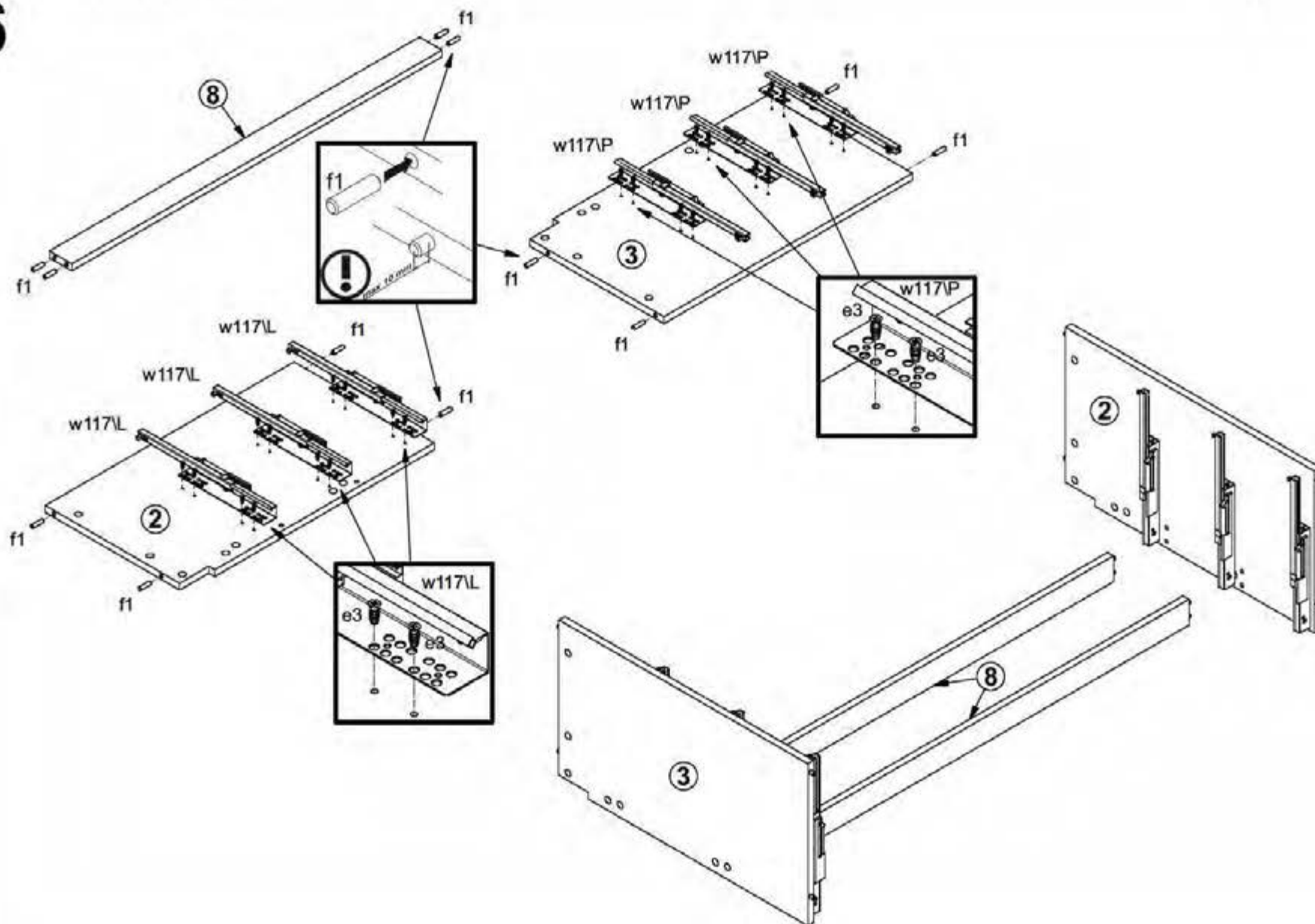
4



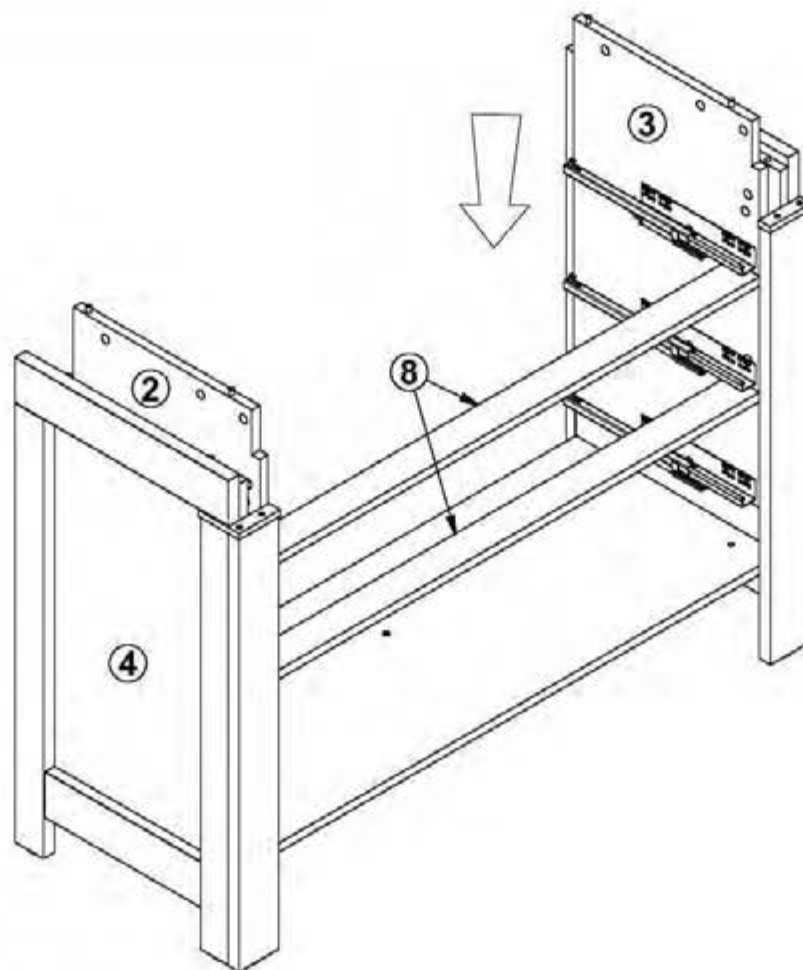
5



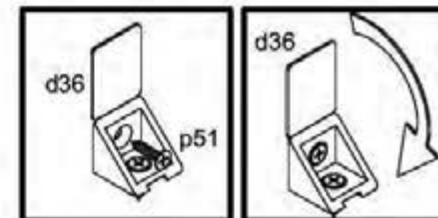
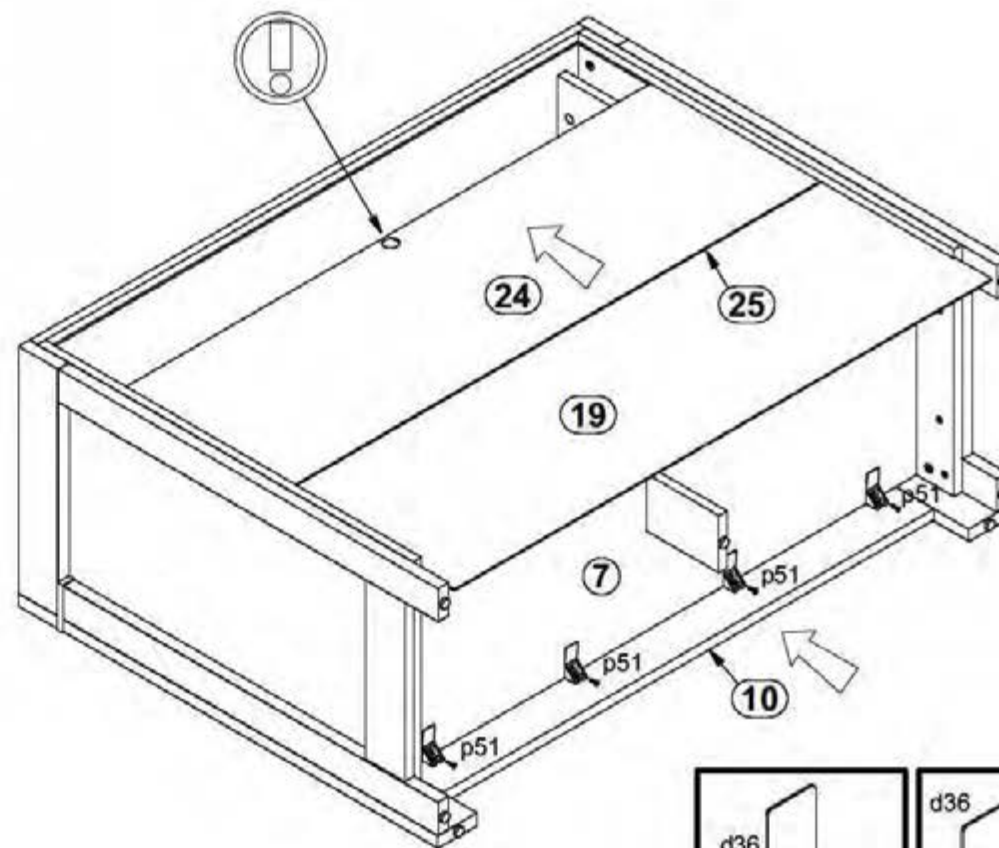
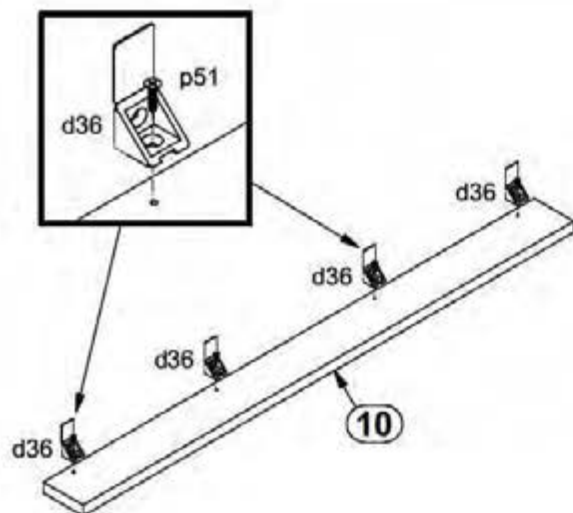
6



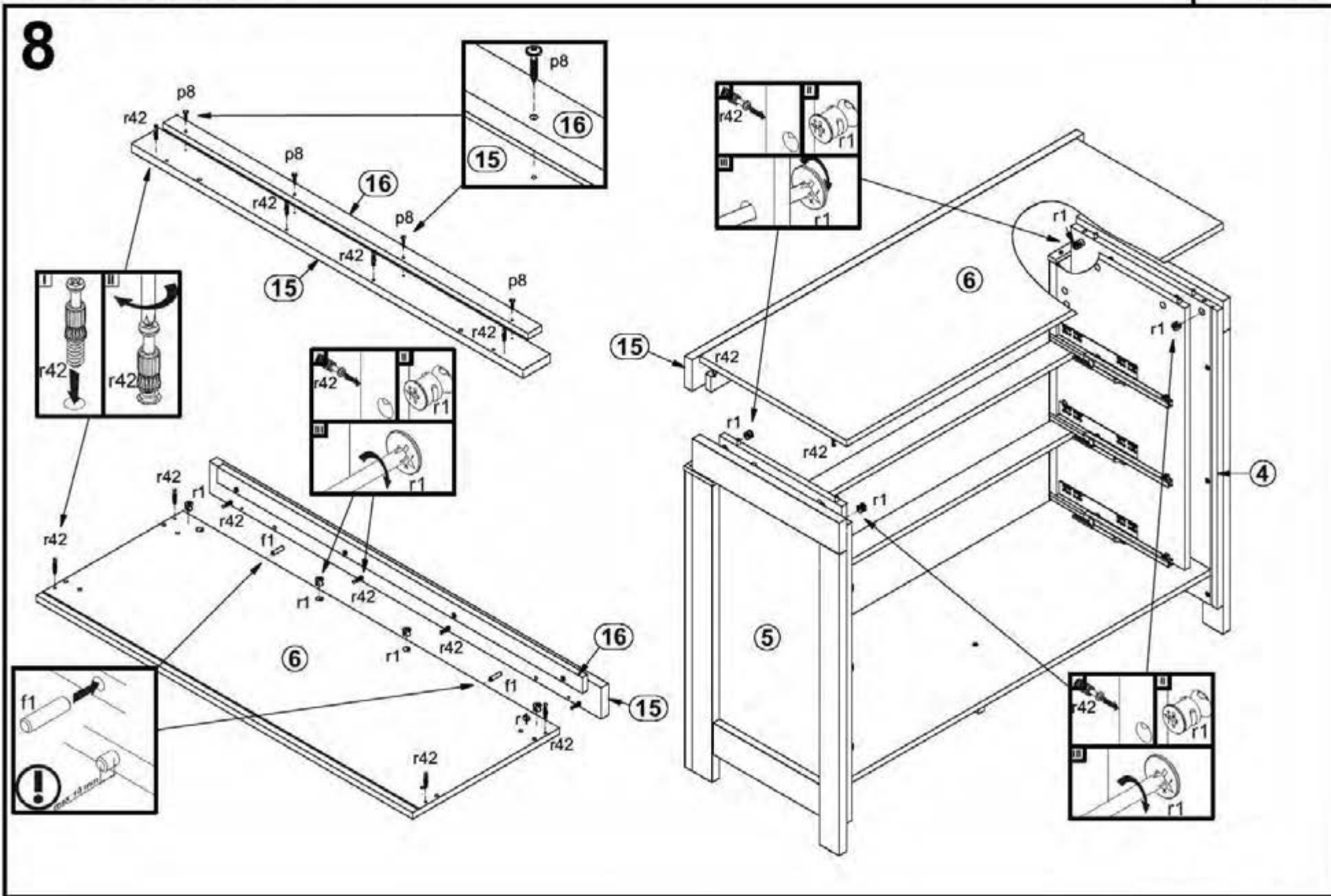
7



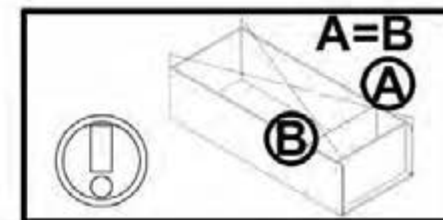
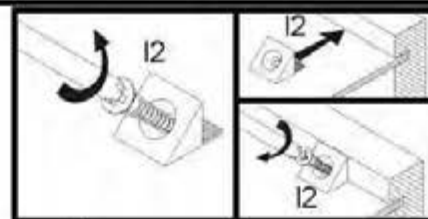
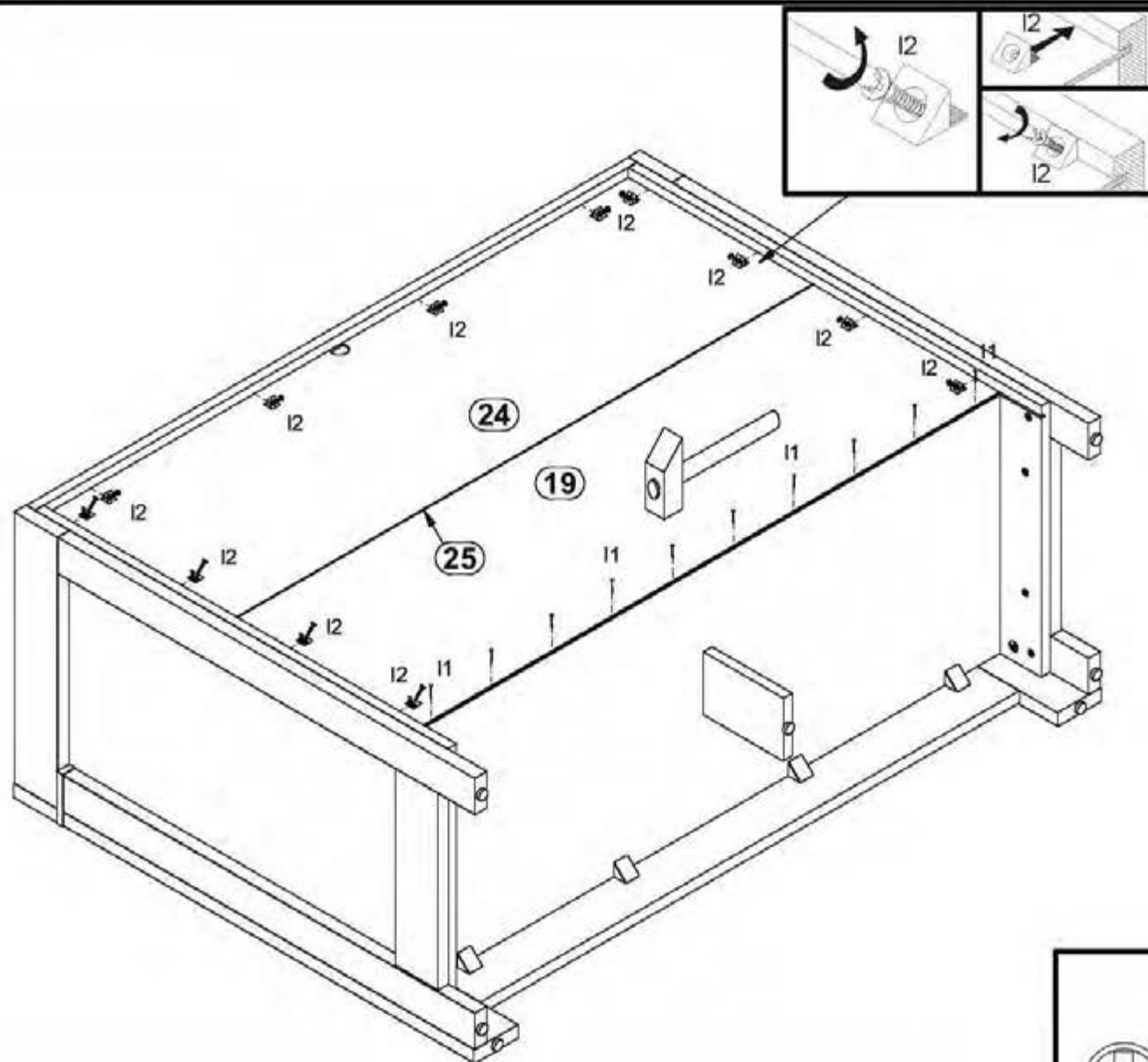
9



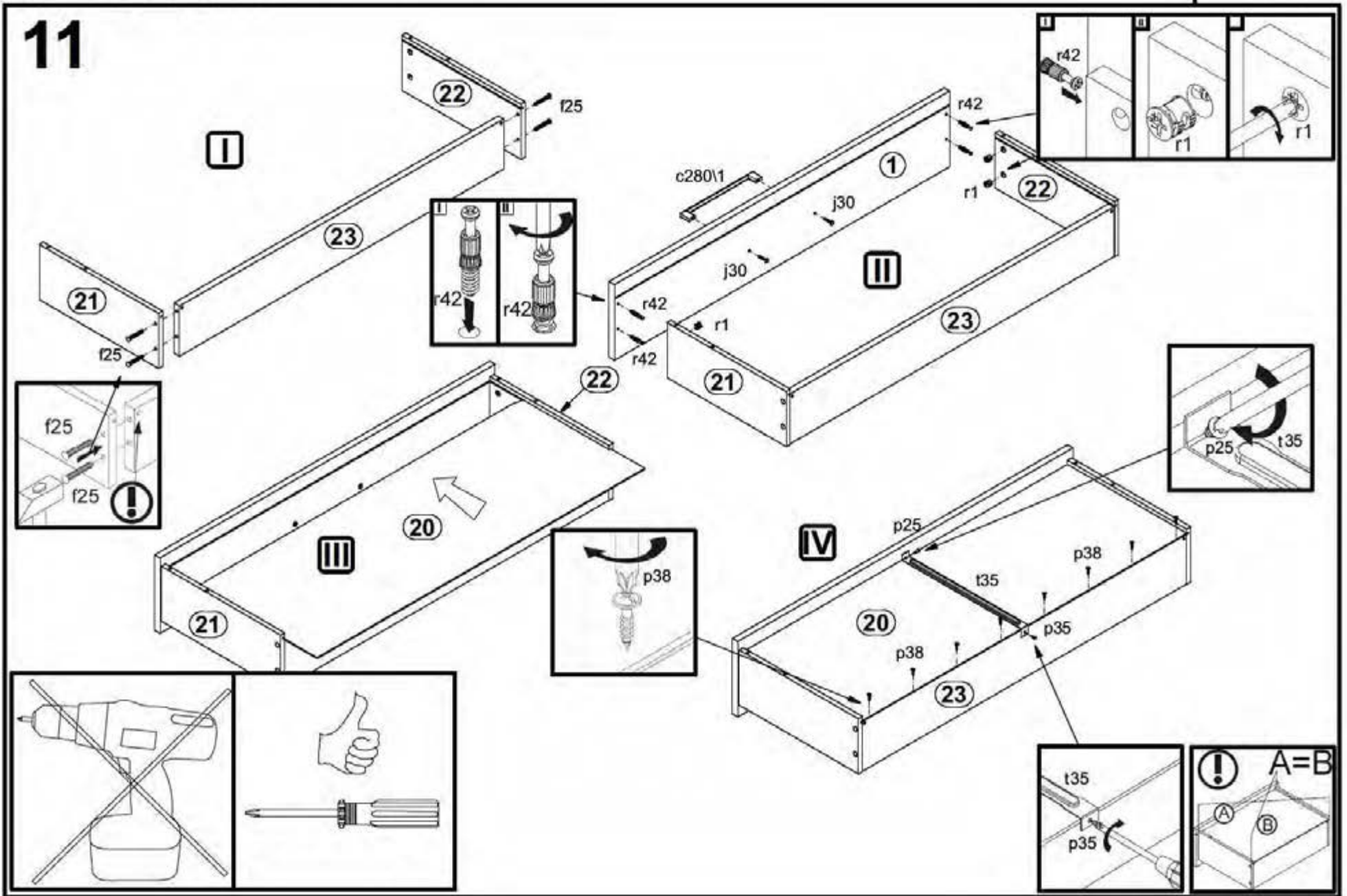
8



10



11



12

