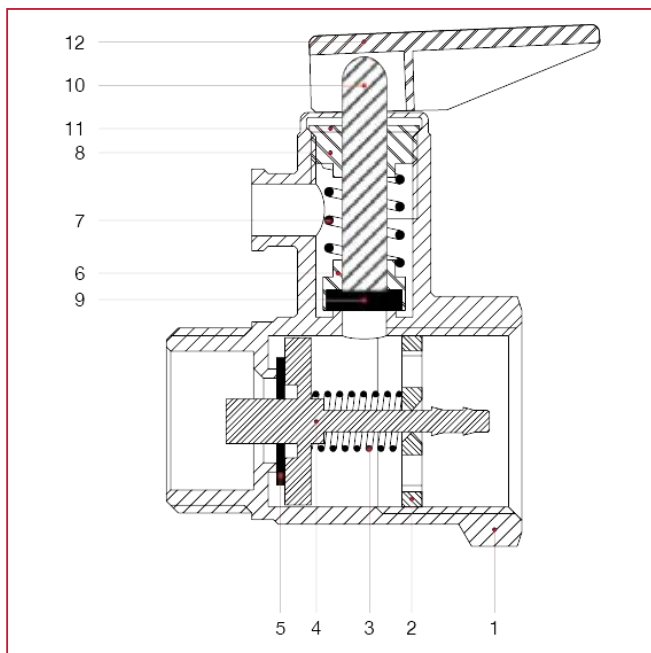




367 Предохранительный клапан для бойлеров с ручкой спуска

MATERIALS



N.	ОПИСАНИЕ	КО Л.	МАТЕРИАЛ
1	Body	1	Brass CW617N
2	Disk for check	1	Brass CW508L
3	Spring for check	1	Stainless steel AISI 302
4	Central Pin	1	Nylon
5	Seal	1	EPDM
6	Seal holder	1	Nylon
7	Spring	1	Stainless steel AISI 302
8	Threaded cap	1	Nylon
9	Washer	1	EPDM
10	Pin for lever	1	Nylon
11	Washer	1	Stainless steel AISI 430
12	Handle	1	Nylon