

**Makita**<sup>®</sup>

## **Circular Saw**

Instruction Manual

## **Handkreissäge**

Betriebsanleitung

## **Piła tarczowa**

Instrukcja obsługi

## **Дисковая пила**

Инструкция по эксплуатации

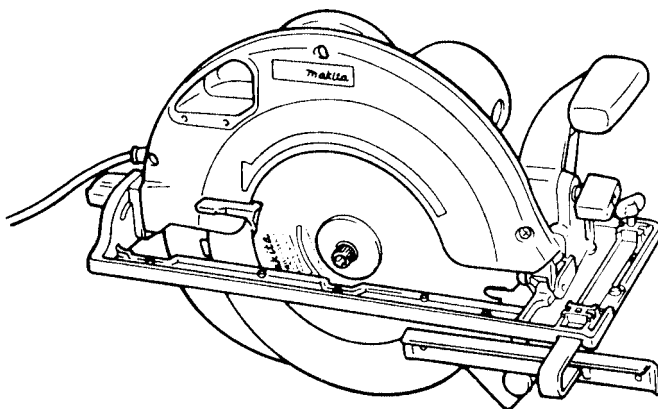
**165 mm 5603R**

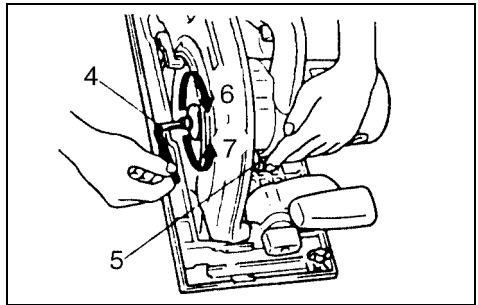
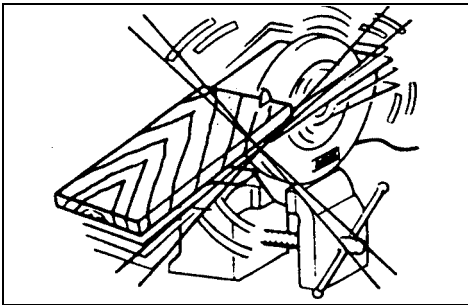
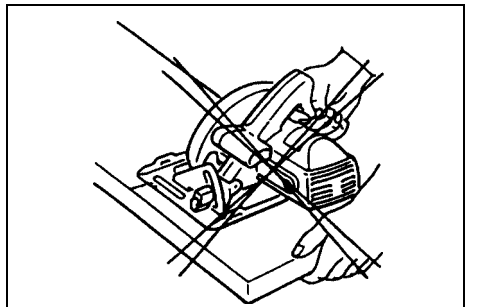
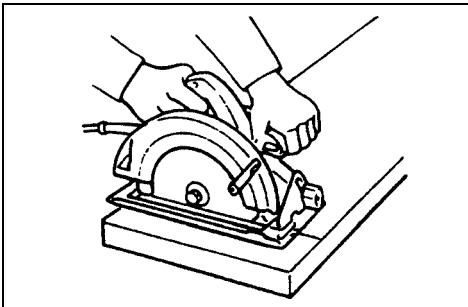
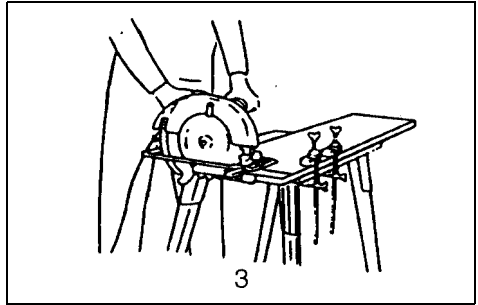
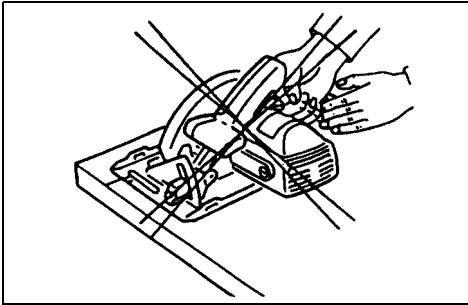
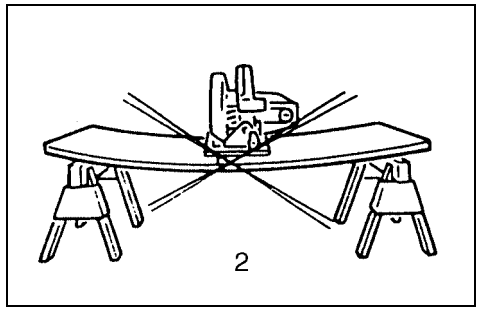
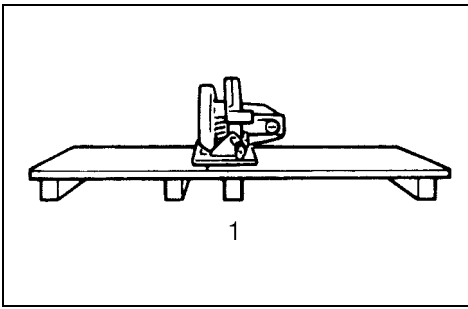
**190 mm 5703R**

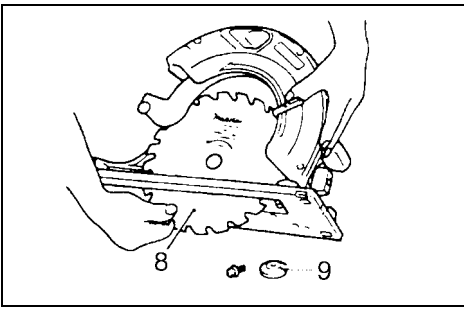
**235 mm 5903R**

**270 mm 5103R**

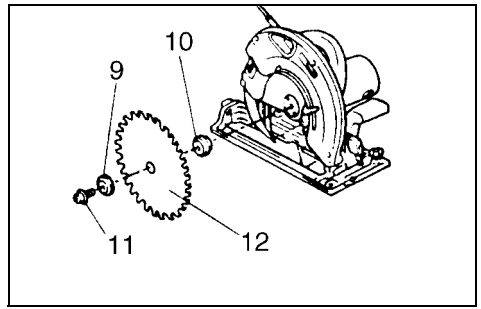
**355 mm 5143R**



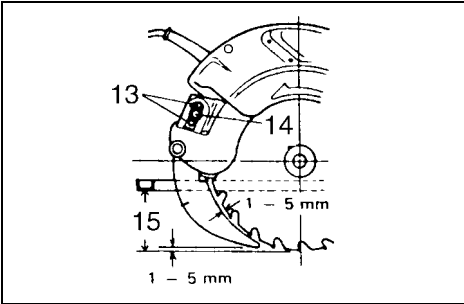




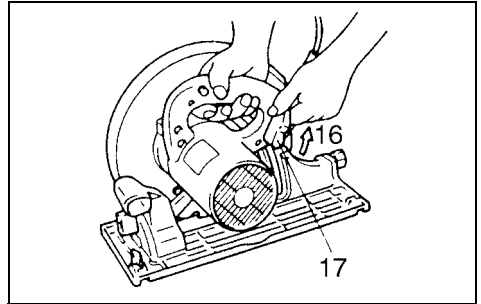
9



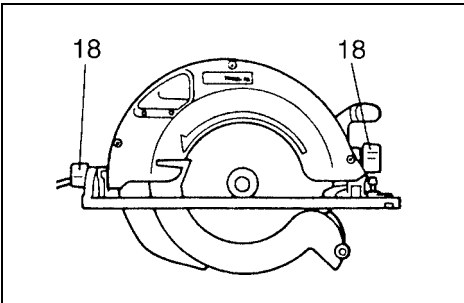
10



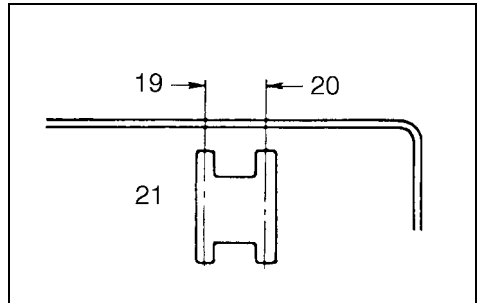
11



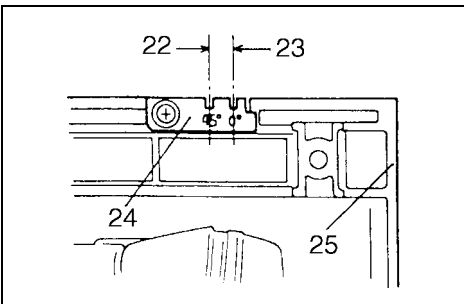
12



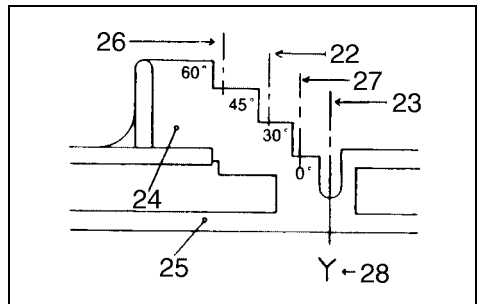
13



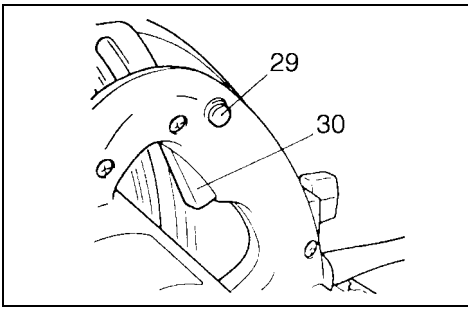
14



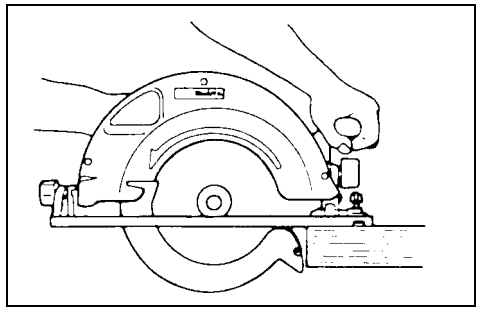
15



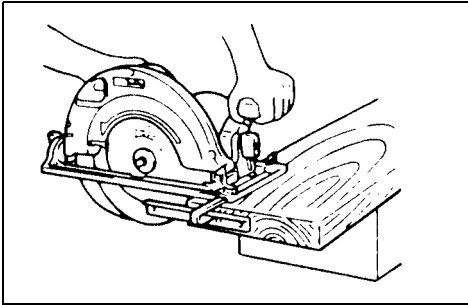
16



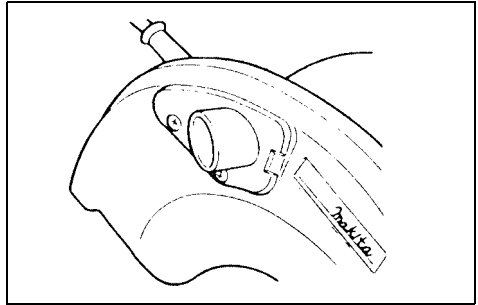
17



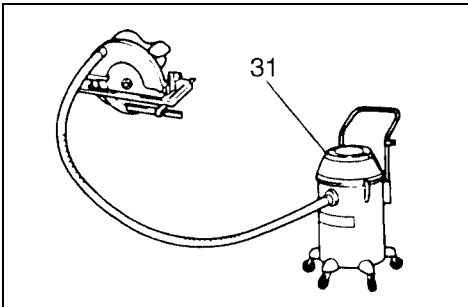
18



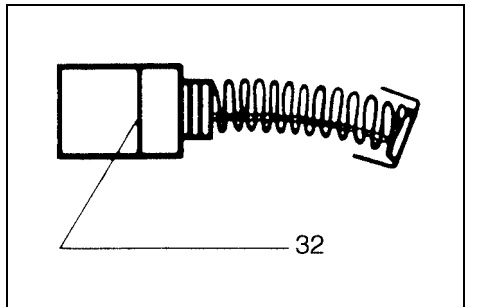
19



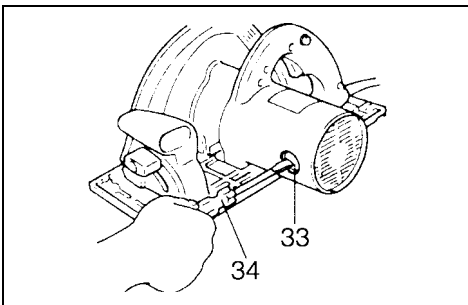
20



21



22



23

## Symbols

The following show the symbols used for the tool. Be sure that you understand their meaning before use.

## Symbole

Die folgenden Symbole werden für die Maschine verwendet. Machen Sie sich vor der Benutzung unbedingt mit ihrer Bedeutung vertraut.

## Symbole

Poniższe symbole używane są do opisu pily. Przed użyciem należy upewnić się, że rozumie się ich znaczenie.

## Символы

Следующие объяснения показывают символы, используемые для инструмента. Убедитесь перед использованием, что Вы понимаете их значение.



- Read instruction manual.
- Bitte Betriebsanleitung lesen.
- Przeczytaj instrukcję obsługi.
- Прочитайте инструкцию по эксплуатации.



- DOUBLE INSULATION
- DOPPELT SCHUTZISOLIERT
- PODWÓJNA IZOLACJA
- ДВОЙНАЯ ИЗОЛЯЦИЯ

**Explanation of general view**

1 To avoid kickback, do support board or panel near the cut.	10 Inner flange	22 45° angle cuts
2 Don't support board or panel away from the cut.	11 Hex socket head bolt	23 Straight cuts
3 A typical illustration of proper hand support, workpiece support, and supply cord routing.	12 Saw blade	24 Top guide
4 Hex wrench	13 Setting protuberances	25 Base
5 Shaft lock	14 Hex socket head bolt (For adjusting riving knife)	26 60° angle cuts
6 Tighten	15 Cutting depth	27 30° angle cuts
7 Loosen	16 Loosen	28 Blade
8 Saw blade	17 Lever	29 Lock-off button
9 Outer flange	18 Thumb nut	30 Switch trigger
	19 For 45° bevel cuts	31 Vacuum cleaner
	20 For straight cuts	32 Limit mark
	21 Base plate	33 Brush holder cap
		34 Screwdriver

**SPECIFICATIONS**

<b>Model</b>	<b>5603R</b>	<b>5703R</b>	<b>5903R</b>	<b>5103R</b>	<b>5143R</b>
Blade diameter .....	165 mm	190 mm	235 mm	270mm	355 mm
Max. cutting depth					
At 90° .....	54 mm	66 mm	85 mm	100 mm	130 mm
At 45° .....	38 mm	46 mm	64 mm	73 mm	90 mm
No load speed (min <sup>-1</sup> ) .....	5,000	4,800	4,500	3,800	2,700
Overall length .....	330 mm	356 mm	400 mm	442 mm	607 mm
Net weight .....	4.2 kg	5.2 kg	7.6 kg	9.4 kg	14.5 kg

- Due to our continuing program of research and development, the specifications herein are subject to change without notice.
- Note: Specifications may differ from country to country.

**Power supply**

The tool should be connected only to a power supply of the same voltage as indicated on the nameplate, and can only be operated on single-phase AC supply. They are double-insulated in accordance with European Standard and can, therefore, also be used from sockets without earth wire.

**For model 5703R, public low-voltage distribution systems of between 220 V and 250 V**

Switching operations of electric apparatus cause voltage fluctuations. The operation of this device under unfavorable mains conditions can have adverse effects to the operation of other equipment. With a mains impedance equal or less than 0.36 Ohms it can be presumed that there will be no negative effects. The mains socket used for this device must be protected with a fuse or protective circuit breaker having slow tripping characteristics.

**Safety hints**

For your own safety, please refer to the enclosed Safety instructions.

**SAFETY INSTRUCTIONS**

**Warning! When using electric tools, basic safety precautions should always be followed to reduce the risk of fire, electric shock and personal injury, including the following. Read all these instructions before attempting to operate this product and save these instructions.**

**For safe operation:**

- 1. Keep work area clean**  
Cluttered areas and benches invite injuries.
- 2. Consider work area environment**  
Don't expose power tools to rain. Don't use power tools in damp or wet locations. Keep work area well lit. Don't use power tools in presence of flammable liquids or gases.
- 3. Guard against electric shock**  
Prevent body contact with grounded surfaces (e.g. pipes, radiators, ranges, refrigerators).
- 4. Keep children away**  
Do not let visitors contact tool or extension cord. All visitors should be kept away from work area.
- 5. Store idle tools**  
When not in use, tools should be stored in dry, high, or locked-up place, out of the reach of children.
- 6. Don't force tool**  
It will do the job better and safer at the rate for which it was intended.
- 7. Use right tool**  
Don't force small tools or attachments to do the job of a heavy duty tool. Don't use tools for purposes not intended; for example, don't use circular saw for cutting tree limbs or logs.

8. **Dress properly**  
Do not wear loose clothing or jewelry. They can be caught in moving parts. Rubber gloves and non-skid footwear are recommended when working outdoors. Wear protective hair covering to contain long hair.
9. **Use safety glasses and hearing protection**  
Also use face or dust mask if cutting operation is dusty.
10. **Connect dust extraction equipment**  
If devices are provided for the connection of dust extraction and collection facilities, ensure these are connected and properly used.
11. **Don't abuse cord**  
Never carry tool by cord or yank it to disconnect it from receptacle. Keep cord from heat, oil and sharp edges.
12. **Secure work**  
Use clamps or a vise to hold work. It's safer than using your hand and it frees both hands to operate tool.
13. **Don't overreach**  
Keep proper footing and balance at all times.
14. **Maintain tools with care**  
Keep tools sharp and clean for better and safer performance. Follow instructions for lubricating and changing accessories. Inspect tool cords periodically and, if damaged, have repaired by authorized service facility. Inspect extension cords periodically and replace if damaged. Keep handles dry, clean and free from oil and grease.
15. **Disconnect tools**  
When not in use, before servicing, and when changing accessories such as blades, bits and cutters.
16. **Remove adjusting keys and wrenches**  
Form the habit of checking to see that keys and adjusting wrenches are removed from tool before turning it on.
17. **Avoid unintentional starting**  
Don't carry plugged-in tool with finger on switch. Be sure switch is off when plugging in.
18. **Outdoor use extension cords**  
When tool is used outdoors, use only extension cords intended for use outdoors and so marked.
19. **Stay alert**  
Watch what you are doing. Use common sense. Do not operate tool when you are tired.
20. **Check damaged parts**  
Before further use of the tool, a guard or other part that is damaged should be carefully checked to determine that it will operate properly and perform its intended function. Check for alignment of moving parts, binding of moving parts, breakage of parts, mounting, and any other conditions that may affect its operation. A guard or other part that is damaged should be properly repaired or replaced by an authorized service center unless otherwise indicated elsewhere in this instruction manual. Have defective switches replaced by and authorized service center. Do not use tool if switch does not turn it on and off.

21. **Warning**  
The use of any other accessory or attachment other than recommended in this operating instruction or the catalog may present a risk of personal injury.
22. **Have your tool repaired by an expert**  
This electric appliance is in accordance with the relevant safety rules. Repairing of electric appliances may be carried out only by experts otherwise it may cause considerable danger for the user.

## ADDITIONAL SAFETY RULES FOR TOOL

ENB036-2

1. **Wear hearing protection.**
2. **Keep Guards In Place and In Working Order. Never wedge or tie lower guard open. Check operation of lower guard before each use. Don't use if lower guard does not close briskly over saw blade.**  
**CAUTION: If saw is dropped, lower guard may be bent, restricting full return.**
3. **Do not use blades which are deformed or cracked.**
4. **Do not use blades made of high speed steel.**
5. **Do not stop the blades by lateral pressure on the saw blade.**
6. **Keep Blades Clean and Sharp.**  
**Sharp blades minimize stalling and kickback.**
7. **DANGER: Keep Hands Away From Cutting Area. Keep hands away from blades. Don't reach underneath work while blade is rotating. Don't attempt to remove cut material when blade is moving.**  
**CAUTION: Blades coast after turn off.**
8. **Support Large Panels. (Fig. 1 & 2)**  
**Large panels must be supported as shown in Fig. 1 to minimize the risk of blade pinching and kickback.**  
**When cutting operation requires the resting of the saw on the workpiece, the saw shall be rested on the larger portion and the smaller piece cut off.**
9. **Use Rip Fence.**  
**Always use a fence or straight edge guide when ripping.**
10. **Guard Against Kickback. (Fig. 1 & 3)**  
**Kickback occurs when the saw stalls rapidly and is driven back towards the operator. Release switch immediately if blade binds or saw stalls. Keep blades sharp. Support large panels as shown in Fig. 1. Use fence or straight edge guide when ripping. Don't force tool. Stay alert-exercise control. Don't remove saw from work during a cut while the blade is moving.**  
**NEVER place your hand or fingers behind the saw. If kickback occurs, the saw could easily jump backwards over your hand, possibly causing severe injury.**
11. **Lower Guard.**  
**Raise lower guard with the retracting handle.**

12. **Adjustments.**  
Before cutting be sure depth and bevel adjustments are tight.
13. **Use Only Correct Blades In Mounting.**  
Don't use blades with incorrect size holes. Never use defective or incorrect blade washers or bolts.
14. **Avoid Cutting Nails.**  
Inspect for and remove all nails from lumber before cutting.
15. **When operating the saw, keep the cord away from the cutting area and position it so that it will not be caught on the workpiece during the cutting operation.**  
Operate with proper hand support, proper workpiece support, and supply cord routing away from the work area.  
**WARNING:**  
It is important to support the workpiece properly and to hold the saw firmly to prevent loss of control which could cause personal injury. Fig. 4 illustrates typical hand support of the saw.

16. **Place the wider portion of the saw base on that part of the workpiece which is solidly supported, not on the section that will fall off when the cut is made.**  
As examples, Fig. 5 illustrates the **RIGHT** way to cut off the end of a board, and Fig. 6 the **WRONG** way. If the workpiece is short or small, clamp it down. **DON'T TRY TO HOLD SHORT PIECES BY HAND!** (Fig. 6)
17. **Never attempt to saw with the circular saw held upside down in a vise. This is extremely dangerous and can lead to serious accidents.** (Fig. 7)
18. **Before setting the tool down after completing a cut, be sure that the lower (telescoping) guard has closed and the blade has come to a complete stop.**
19. **Using manufacturer data**
  - Ensure that the diameter, thickness and other characteristics of the saw blade are suitable for the tool.
  - Ensure that the saw blade is suitable for the spindle speed of the tool .
20. **Do not use any abrasive wheel.**

**SAVE THESE INSTRUCTIONS.**

## OPERATING INSTRUCTIONS

### Removing or installing saw blade

The following blade can be used with this tool.

Model	Max. dia.	Min. dia.	Blade thickness	Kerf
5603R	165 mm	150 mm	Less than 1.7 mm	More than 1.9 mm
5703R	190 mm	170 mm	Less than 1.7 mm	More than 1.9 mm
5903R	235 mm	210 mm	Less than 1.9 mm	More than 2.1 mm
5103R	270 mm	260 mm	Less than 1.8 mm	More than 2.2 mm
5143R	355 mm	350 mm	Less than 2.3 mm	More than 2.7 mm

The thickness of the riving knife is 1.8 mm for Models 5603R and 5703R or 2.0 mm for Model 5903R and 5103R or 2.5 mm for Model 5143R.

#### CAUTION:

- Do not use saw blades which do not comply with the characteristics specified in these instructions.
- Do not use saw blades the disc of which is thicker or the set of which is smaller than the thickness of the riving knife.

To remove the saw blade, depress the shaft lock fully to prevent shaft rotation, then use the hex wrench to loosen the hex socket head bolt. **(Fig. 8)**

Now remove the outer flange, raise the safety cover as much as possible, and remove the saw blade. **(Fig. 9)**

### Riving knife adjustment (Fig. 11)

Use the socket wrench to loosen the hex head socket bolt for the riving knife adjustment, then raise the safety cover. Move the riving knife up or down over the two protuberances for settings indicated in the

illustration, so as to obtain the proper clearance between the riving knife and saw blade.

Install the saw blade using the reverse of the removal procedure. Install the inner flange, saw blade, outer flange and hex socket head bolt, in that order. Be sure to secure the hex socket head bolt tightly with the shaft lock fully depressed. **(Fig. 8 & 10)**

#### CAUTION:

- Make sure that the blade teeth point forward in the same direction as the tool rotation (the arrow on the blade should point in the same direction as the arrow on the tool).
- Never depress the shaft lock while the saw is running.
- Use only the Makita socket wrench to remove or install the blade.

illustration, so as to obtain the proper clearance between the riving knife and saw blade.

#### CAUTION:

Ensure that the riving knife is adjusted such that: The distance between the riving knife and the toothed rim of the saw blade is not more than 5 mm. The toothed



rim does not extend more than 5 mm beyond the lower edge of the riving knife.

### **Adjusting depth of cut (Fig. 12)**

Loosen the lever on the depth guide and move the base up or down. At a desired depth of cut, secure the base by tightening the lever.

CAUTION:

- Use a shallow depth of cut when cutting thin workpiece for cleaner, safer cuts.
- After adjusting the depth of cut, always tighten the lever securely.

### **Adjusting for bevel cuts (Fig. 13)**

Loosen the thumb nuts in front and back, and tilt the tool to the desired angle for bevel cuts (0–45°). Secure the thumb nuts tightly in front and back after making the adjustment.

### **Sighting (5603R, 5703R) (Fig. 14)**

For straight cuts, align the right notch on the front of the base with your cutting line on the workpiece. For 45° bevel cuts, align the left notch with it.

### **Top guide (5903R, 5103R) (Fig. 15)**

Align your sight line with either the 0° notch for straight cutting or the 45° notch for 45° angle cuts.

### **Top guide (5143R) (Fig. 16)**

Align your sight line with either the 0° notch for straight cutting or the 30° notch for 30° angle cuts or the 45° notch for 45° angle cuts or the 60° notch for 60° angle cuts.

### **Switch action (Fig. 17)**

CAUTION:

- Before plugging in the tool, always check to see that the switch trigger actuates properly and returns to the “OFF” position when released.

To prevent the switch trigger from being accidentally pulled, a lock-off button is provided. To start the tool, depress the lock-off button and pull the switch trigger. Release the switch trigger to stop.

### **Operation (Fig. 18)**

Hold the tool firmly. Set the base plate on the workpiece to be cut without the blade making any contact. Then turn the tool on and wait until the blade attains full speed. Now simply move the tool forward over the workpiece surface, keeping it flat and advancing smoothly until the sawing is completed. To get clean cuts, keep your sawing line straight and your speed of advance uniform.

CAUTION:

- The riving knife should always be used except when plunging in the middle of the workpiece.
- Do not stop the saw blade by lateral pressure on the disc.

### **Guide rule (Fig. 19)**

The handy guide rule allows you to do extra-accurate straight cuts. Simply slide the guide rule up snugly against the side of the workpiece and secure it in position with the screw on the front of the base. It also makes repeated cuts of uniform width possible.

### **Joint assembly (Fig. 20 & 21)**

(for connecting a vacuum cleaner)

When you wish to perform clean cutting operation, connect a vacuum cleaner to your tool. Install the joint on the tool using the screw. Then connect a hose of vacuum cleaner to the joint.

## **MAINTENANCE**

CAUTION:

Always be sure that the tool is switched off and unplugged before carrying out any work on the tool.

### **Replacement of carbon brushes (Fig. 22 & 23)**

Replace carbon brushes when they are worn down to the limit mark. Both identical carbon brushes should be replaced at the same time.

To maintain product safety and reliability, repairs, maintenance or adjustment should be carried out by a Makita Authorized Service Center.

### **Noise and Vibration of Model 5603R**

The typical A-weighted noise levels are  
sound pressure level: 96 dB (A)  
sound power level: 109 dB (A)  
– Wear ear protection. –  
The typical weighted root mean square acceleration  
value is not more than 2.5 m/s<sup>2</sup>.

### **Noise and Vibration of Model 5703R**

The typical A-weighted noise levels are  
sound pressure level: 98 dB (A)  
sound power level: 111 dB (A)  
– Wear ear protection. –  
The typical weighted root mean square acceleration  
value is not more than 2.5 m/s<sup>2</sup>.

### **Noise and Vibration of Model 5903R**

The typical A-weighted noise levels are  
sound pressure level: 95 dB (A)  
sound power level: 108 dB (A)  
– Wear ear protection. –  
The typical weighted root mean square acceleration  
value is not more than 2.5 m/s<sup>2</sup>.

### **Noise and Vibration of Model 5103R**

The typical A-weighted noise levels are  
sound pressure level: 94 dB (A)  
sound power level: 107 dB (A)  
– Wear ear protection. –  
The typical weighted root mean square acceleration  
value is not more than 2.5 m/s<sup>2</sup>.

### **Noise and Vibration of Model 5143R**

The typical A-weighted noise levels are  
sound pressure level: 94 dB (A)  
sound power level: 107 dB (A)  
– Wear ear protection. –  
The typical weighted root mean square acceleration  
value is not more than 2.5 m/s<sup>2</sup>.

### **EC-DECLARATION OF CONFORMITY**

The undersigned, Yasuhiko Kanzaki, authorized by  
Makita Corporation, 3-11-8 Sumiyoshi-Cho, Anjo,  
Aichi, 446-8502 Japan declares that this product  
(Serial No. : series production)  
manufactured by Makita Corporation in Japan is in  
compliance with the following standards or standard-  
ized documents,  
HD400, EN50144, EN55014, EN61000  
in accordance with Council Directives, 73/23/EEC,  
89/336/EEC and 98/37/EC.

*Yasuhiko Kanzaki*    **CE95**



Director

**MAKITA INTERNATIONAL EUROPE LTD.**

Michigan Drive, Tongwell, Milton Keynes,  
Bucks MK15 8JD, ENGLAND

Übersicht

- |   |   |    |  |    |                          |
|---|---|----|--|----|--------------------------|
| 1 | Zur Vermeidung von Rückschlag große Werkstücke wie Bretter und Platten in der Nähe des Schnittes abstützen. | 7  | Lösen  | 20 | Für rechteckige Schnitte |
| 2 | Große Werkstücke nicht in großer Entfernung vom Schnitt abstützen.  | 8  | Sägeblatt  | 21 | Grundplatte              |
| 3 | Vorschriftsmäßiges Halten der Handkreissäge. Abstützen des Werkstücks und Kabelverlegung.                   | 9  | Äußerer Spannflansch                               | 22 | 45°-Schnitte             |
| 4 | Steckschlüssel gebogen  | 10 | Innerer Spannflansch                               | 23 | Für rechteckige Schnitte |
| 5 | Spindelarretierhebel  | 11 | Sechskantschraube                                  | 24 | Schnittskala             |
| 6 | Festziehen  | 12 | Sägeblatt  | 25 | Grundplatte              |
|   |   | 13 | Einstellen der Vorsprünge                          | 26 | 60°-Schnitte             |
|   |   | 14 | Sechskantschraube (für Einstellung des Spaltkeils) | 27 | 30°-Schnitte             |
|   |   | 15 | Schnitttiefe                                       | 28 | Sägeblatt                |
|   |   | 16 | Lösen  | 29 | Einschaltsperre          |
|   |   | 17 | Feststellhebel                                     | 30 | Ein-/Aus-Schalter        |
|   |   | 18 | Knebelmutter                                       | 31 | Absauggerät              |
|   |   | 19 | Für 45°-Schrägschnitte                             | 32 | Verschleißgrenze         |
|   |   |    |  | 33 | Kohlebürstenkappe        |
|   |   |    |  | 34 | Schraubendreher          |

**TECHNISCHE DATEN**

Modell	5603R	5703R	5903R	5103R	5143R
Sägeblattdurchmesser.....	165 mm	190 mm	235 mm	270 mm	355 mm
Max. Schnitttiefe					
bei 90°.....	54 mm	66 mm	85 mm	100 mm	130 mm
bei 45°.....	38 mm	46 mm	64 mm	73 mm	90 mm
Leerlaufdrehzahl (min <sup>-1</sup> ).....	5 000	4 800	4 500	3 800	2 700
Gesamtlänge.....	330 mm	356 mm	400 mm	422 mm	607 mm
Gewicht.....	4,2 kg	5,2 kg	7,6 kg	9,4 kg	14,5 kg

- Wir behalten uns vor, Änderungen im Zuge der Entwicklung und des technischen Fortschritts ohne vorherige Ankündigung vorzunehmen.
- Hinweis: Die technischen Daten können von Land zu Land abweichen.

**Stromversorgung**

Die Maschine darf nur an die auf dem Typenschild angegebene Spannung angeschlossen werden und arbeitet nur mit Einphasen-Wechselspannung. Sie ist entsprechend den Europäischen Richtlinien doppelt schutzisoliert und kann daher auch an Steckdosen ohne Erdungskabel angeschlossen werden.

**Für Modell 5703R, öffentliche Niederspannungs-Verteilungssysteme mit einer Spannung zwischen 220 und 250 V**

Schaltvorgänge von Elektrogeräten verursachen Spannungsschwankungen. Der Betrieb dieses Gerätes unter ungünstigen Netzstrombedingungen kann sich nachteilig auf den Betrieb anderer Geräte auswirken. Bei einer Netzstromimpedanz von 0,36 Ohm oder weniger ist anzunehmen, dass keine negativen Effekte auftreten. Die für dieses Gerät verwendete Netzsteckdose muss durch eine Sicherung oder einen Schutzschalter mit trägen Auslösungseigenschaften geschützt sein.

**Sicherheitshinweise**

Lesen und beachten Sie diese Hinweise, bevor Sie das Gerät benutzen.

**SICHERHEITSHINWEISE**

**Achtung! Beim Gebrauch von Elektrowerkzeugen sind zum Schutz gegen elektrischen Schlag, Verletzungs- und Brandgefahr folgende grundsätzliche Sicherheitsmaßnahmen zu beachten.**

**Lesen und beachten Sie diese Hinweise, bevor Sie das Gerät benutzen.**

- 1. Halten Sie Ihren Arbeitsbereich in Ordnung**  
Unordnung im Arbeitsbereich ergibt Unfallgefahr.
- 2. Berücksichtigen Sie Umgebungseinflüsse**  
Setzen sie Elektrowerkzeuge nicht dem Regen aus. Benützen Sie Elektrowerkzeuge nicht in feuchter oder nasser Umgebung. Sorgen Sie für gute Beleuchtung. Benützen Sie Elektrowerkzeuge nicht in Nähe von brennbaren Flüssigkeiten oder Gasen.
- 3. Schützen Sie sich vor elektrischem Schlag**  
Vermeiden Sie Körperberührung mit geerdeten Teilen, zum Beispiel Rohren, Heizkörpern, Herden, kühlSchränken.
- 4. Halten Sie Kinder fern!**  
Lassen Sie andere Personen nicht das Werkzeug oder Kabel berühren, halten Sie sie von Ihrem Arbeitsbereich fern.
- 5. Bewahren Sie Ihre Werkzeuge sicher auf**  
Unbenutzte Werkzeuge sollten in trockenem, verschlossenem Raum und für Kinder nicht erreichbar aufbewahrt werden.
- 6. Überlasten Sie Ihr Werkzeug nicht**  
Sie arbeiten besser und sicherer im angegebenen Leistungsbereich.

7. **Benützen Sie das richtige Werkzeug**  
Verwenden Sie keine zu schwachen Werkzeuge oder Vorsatzgeräte für schwere Arbeiten. Benützen Sie Werkzeuge nicht für Zwecke und Arbeiten, Wofür sie nicht bestimmt sind; zum Beispiel benützen Sie keine Handkreissäge, um Bäume zu fällen oder Äste zu schneiden.
8. **Tragen Sie geeignete Arbeitskleidung**  
Tragen Sie keine weite Kleidung oder Schmuck. Sie können von beweglichen Teilen erfaßt werden. Bei Arbeiten im Freien sind Gummihandschuhe und rutschfestes Schuhwerk empfehlenswert. Tragen Sie bei langen Haaren ein Haarnetz.
9. **Schutzbrille und Gehörschutz tragen**  
Verwenden Sie eine Atemmaske bei stauberzeugenden Arbeiten.
10. **Schließen Sie eine Staubabsaugvorrichtung an**  
Wenn Geräte für den Anschluß von Staubabsaug- und sammelvorrichtungen ausgelegt sind, sorgen Sie dafür, daß diese angeschlossen und korrekt benutzt werden.
11. **Zweckfremden Sie nicht das Kabel**  
Tragen Sie das Werkzeug nicht am Kabel, und benützen Sie es nicht, um den Stecker aus der Steckdose zu ziehen. Schützen Sie das Kabel vor Hitze, Öl und scharfen Kanten.
12. **Sichern Sie das Werkstück**  
Benützen Sie Spannvorrichtungen oder einen Schraubstock, um das Werkstück festzuhalten. Es ist damit sicherer gehalten als mit Ihrer Hand und ermöglicht die Bedienung der Maschine mit beiden Händen.
13. **Überdehnen Sie nicht Ihren Standbereich**  
Vermeiden Sie abnormale Körperhaltung. Sorgen Sie für sicheren Stand, und halten Sie jederzeit das Gleichgewicht.
14. **Pflegen Sie Ihre Werkzeuge mit Sorgfalt**  
Halten Sie Ihre Werkzeuge scharf und sauber, um gut und sicher zu arbeiten. Befolgen Sie die Wartungsvorschriften und die Hinweise für Werkzeugwechsel. Kontrollieren Sie regelmäßig den Stecker und das Kabel, und lassen Sie diese bei Beschädigung von einem anerkannten Fachmann erneuern.  
Kontrollieren Sie Verlängerungskabel regelmäßig und ersetzen Sie beschädigte. Halten Sie Handgriffe trocken und frei von Öl und Fett.
15. **Ziehen Sie den Netzstecker**  
Bei Nichtgebrauch, vor der Wartung und beim Werkzeugwechsel, wie zum Beispiel Sägeblatt, Bohrer und Maschinenwerkzeugen aller Art.
16. **Lassen Sie keine Werkzeugschlüssel stecken**  
Überprüfen Sie vor dem Einschalten, daß die Schlüssel und Einstellwerkzeuge entfernt sind.
17. **Vermeiden Sie unbeabsichtigten Anlauf**  
Tragen Sie keine an das Stromnetz angeschlossene Werkzeuge mit dem Finger am Schalter. Vergewissern Sie sich, daß der Schalter beim Anschluß an das Stromnetz ausgeschaltet ist.
18. **Verlängerungskabel im Freien**  
Verwenden Sie im Freien nur dafür zugelassene und entsprechend gekennzeichnete Verlängerungskabel.
19. **Seien Sie stets aufmerksam**  
Beobachten Sie Ihre Arbeit. Gehen Sie vernünftig vor. Verwenden Sie das Werkzeug nicht, wenn Sie unkonzentriert sind.
20. **Kontrollieren Sie Ihr Gerät auf Beschädigungen**  
Vor weiterem Gebrauch des Werkzeugs die Schutzeinrichtungen oder leicht beschädigte Teile sorgfältig auf ihre einwandfreie und bestimmungsgemäße Funktion überprüfen. Überprüfen Sie, ob die Funktion beweglicher Teile in Ordnung ist, ob sie nicht klemmen oder ob Teile beschädigt sind. Sämtliche Teile müssen richtig montiert sein und alle Bedingungen erfüllen, um den einwandfreien Betrieb des Gerätes zu gewährleisten.  
Beschädigte Schutzvorrichtungen und Teile sollen sachgemäß durch eine Kundendienstwerkstatt repariert oder ausgewechselt werden, soweit nichts anderes in den Betriebsanleitungen angegeben ist. Beschädigte Schalter müssen bei einer Kundendienstwerkstatt ersetzt werden. Benutzen Sie keine Werkzeuge, bei denen sich der Schalter nicht ein und ausschalten läßt.
21. **Achtung!**  
Zu Ihrer eigenen Sicherheit, benützen Sie nur Zubehör und Zusatzgeräte, die in der Bedienungsanleitung angegeben oder vom Werkzeughersteller empfohlen oder angegeben werden. Der Gebrauch anderer als der in der Bedienungsanleitung oder im Katalog empfohlenen Einsatzwerkzeuge oder Zubehöre kann eine persönliche Verletzungsgefahr für Sie bedeuten.
22. **Reparaturen nur vom Elektrofachmann.**  
Dieses Elektrowerkzeug entspricht den einschlägigen Sicherheitsbestimmungen. Reparaturen dürfen nur von einer Elektrofachkraft ausgeführt werden, andernfalls können Unfälle für den Betreiber entstehen.

## ZUSÄTZLICHE SICHERHEITSBESTIMMUNGEN

1. **Während des Betriebs einen Gehörschutz tragen.**
2. **Schutzvorrichtungen vor Inbetriebnahme überprüfen und nicht entfernen.**  
Die bewegliche Schutzhaube niemals im geöffneten Zustand verkeilen oder festklemmen. Vor jeder Inbetriebnahme die bewegliche Schutzhaube auf einwandfreie Funktion überprüfen. Die Handkreissäge nicht verwenden, falls sich die bewegliche Schutzhaube nicht sofort über dem Sägeblatt schließt.

- VORSICHT: Die bewegliche Schutzhaube kann beschädigt werden, wenn die Handkreissäge fallengelassen wird, so daß sie sich danach u.U. nicht mehr vollständig schließt.
3. Keine verbogenen oder gesprungenen Sägeblätter verwenden.
  4. Keine Sägeblätter aus Schnellarbeitsstahl verwenden.
  5. Das Sägeblatt nicht durch seitlichen Druck zum Stillstand bringen.
  6. Nur scharfe Sägeblätter in sauberem Zustand verwenden.  
Der Gebrauch scharfer Sägeblätter reduziert das Risiko eines Festsetzens der Handkreissäge und eines Rückschlags.
  7. **ACHTUNG:** Niemals die Schneidefläche berühren. Niemals das Sägeblatt berühren. Nicht unter das Werkstück fassen, während das Sägeblatt läuft. Auf keinen Fall versuchen, abgesägte Teile zu entfernen, während das Sägeblatt läuft.  
VORSICHT: Auch nach dem Ausschalten läuft das Sägeblatt noch eine Zeitlang weiter.
  8. Große Werkstücke abstützen. (Abb. 1 u. 2) Große Werkstücke müssen wie in Abb. 1 gezeigt in der Nähe des Schnittes abgestützt werden, um ein Einklemmen des Sägeblatts und einen Rückschlag möglichst zu vermeiden.  
Wenn sich ein Aufsetzen der Handkreissäge auf das Werkstück beim Arbeiten nicht vermeiden läßt, die Handkreissäge auf den größeren Teil des Werkstücks setzen und den kleineren Teil absägen.
  9. Parallelanschlag verwenden.  
Beim Längsschneiden immer einen Parallelanschlag oder eine Führungsschiene verwenden.
  10. Rückschlag vermeiden. (Abb. 1 u. 3) Rückschlag tritt auf, wenn sich die Handkreissäge schnell festsetzt und rückwärts auf den Bediener zurückgetrieben wird. Den Ein-/Aus-Schalter sofort loslassen, falls das Sägeblatt blockiert oder sich die Handkreissäge festsetzt. Nur scharfe Sägeblätter verwenden. Große Werkstücke wie in Abb. 1 gezeigt abstützen. Beim Längsschneiden einen Parallelanschlag oder eine Führungsschiene verwenden. Die Handkreissäge nicht forcieren. Beim Arbeiten immer sorgsam vorgehen und die Kontrolle über das Werkzeug behalten. Während des Schnittes die Handkreissäge nicht vom Werkstück abheben, solange das Sägeblatt läuft.  
AUF KEINEN FALL eine Hand oder Finger hinter die Handkreissäge bringen. Bei Auftreten eines Rückschlags könnte die Säge über die Hand zurückspringen, was zu schweren Verletzungen führen kann.
  11. Bewegliche Schutzhaube.  
Die bewegliche Schutzhaube zum Zurückschwenken am Griff fassen.
  12. Einstellungen.  
Vor Arbeitsbeginn sicherstellen, daß der Hebel der Tiefeneinstellung und die Knebelmuttern fest angezogen sind.
  13. Bei der Montage nur passende Sägeblätter verwenden. Keine Sägeblätter mit falschem Bohrungsdurchmesser einsetzen. Niemals defekte oder falsche Unterlegscheiben und Schrauben zur Montage von Sägeblättern verwenden.
  14. Nägel vermeiden. Vor Arbeitsbeginn das Werkstück auf Nägel o.ä. untersuchen und diese ggf. entfernen.
  15. Das Kabel von der Schnittbahn fernhalten und so legen, daß es sich nicht am Werkstück verfängt. Beim Arbeiten auf richtiges Halten der Handkreissäge, Abstützen des Werkstücks und eine Verlegung des Kabels außerhalb des Arbeitsbereichs achten.  
**WARNUNG:** Es ist von großer Wichtigkeit, das Werkstück richtig abzustützen und die Handkreissäge fest zu halten, damit die Kontrolle über das Werkzeug nicht verloren wird, was zu Verletzungen führen könnte. Abb. 4 zeigt das korrekte Halten der Handkreissäge.
  16. Den breiteren Abschnitt der Grundplatte auf den abgestützten Teil des Werkstücks aufsetzen, nicht auf den Teil, der nach dem Schnitt herunterfällt.  
In den folgenden Beispielen zeigt Abb. 5 die RICHTIGE Methode, das Ende eines Bretts abzusägen, während Abb. 6 die FALSCHER Methode zeigt. Wenn das Werkstück sehr kurz oder klein ist, muß es vor dem Sägen festgeklemmt werden. **AUF KEINEN FALL KURZE WERKSTÜCKE VON HAND FESTHALTEN!** (Abb. 6)
  17. Die Handkreissäge auf keinen Fall in einen Schraubstock einspannen, um das Werkstück von unten zu sägen. Dies ist äußerst gefährlich und kann schwere Unfälle und Verletzungen zur Folge haben. (Abb. 7)
  18. Vor dem Absetzen der Handkreissäge nach beendetem Schneiden darauf achten, daß die untere Teleskop-Schutzhaube geschlossen und das Sägeblatt vollständig zum Stillstand gekommen ist.
  19. Anhand der Herstellerdaten
    - sicherstellen, daß Durchmesser, Dicke und andere Eigenschaften des Sägeblatts für die Maschine geeignet sind.
    - sicherstellen, daß das Sägeblatt für die Spindeldrehzahl der Maschine geeignet ist.
  20. Verwenden Sie keine Schleifscheiben.

**DIESE HINWEISE SORGFÄLTIG AUFBEWAHREN.**

# BEDIENUNGSHINWEISE

## Demontage bzw. Montage des Sägeblatts

Folgende Sägeblätter sind für die Säge geeignet

Modell	Max. Durchmesser	Min. Durchmesser	Sägeblattdicke	Schnittbreite
5603R	165 mm	150 mm	weniger als 1,7 mm	mehr als 1,9 mm
5703R	190 mm	170 mm	weniger als 1,7 mm	mehr als 1,9 mm
5903R	235 mm	210 mm	weniger als 1,9 mm	mehr als 2,1 mm
5103R	270 mm	260 mm	weniger als 1,8 mm	mehr als 2,2 mm
5143R	355 mm	350 mm	weniger als 2,3 mm	mehr als 2,7 mm

Die Stärke des Spaltkeils beträgt 1,8 mm für Modell 5603R und 5703R oder 2,0 mm für Modell 5903R und 5103R oder 2,5 mm für Modell 5143R.

### VORSICHT:

- Keine Sägeblätter verwenden, die von der obigen Tabelle abweichen.
- Keine Sägeblätter verwenden, deren Sägeblattstärke dicker oder deren Schnittbreite kleiner als die Stärke des Spaltkeils ist.

Zum Demontieren des Sägeblatts blockieren Sie die Spindel durch Drücken der Spindelarreterierung und lösen dann die Innensechskantschraube vollständig mit dem Inbusschlüssel. (Abb. 8)

Den äußeren Spannflansch entfernen, die bewegliche Schutzhaube bis zum Anschlag zurückschwenken und das Sägeblatt entfernen. (Abb. 9)

Zum Montieren des Sägeblatts wenden Sie das Demontageverfahren umgekehrt an. Montieren Sie Innenflansch, Sägeblatt, Außenflansch und Innensechskantschraube in dieser Reihenfolge. Ziehen Sie die Innensechskantschraube bei vollständig hineingedrückter Spindelarreterierung fest an. (Abb. 8 u. 10)

### VORSICHT:

- Das Sägeblatt so einbauen, daß die Drehrichtung (durch Orientierungspfeil gekennzeichnet) des Sägeblatts und der Handkreissäge übereinstimmt.
- Niemals die Spindelarreterierung bei laufender Säge drücken.
- Für Demontage und Montage des Sägeblatts ausschließlich den Makita-Steckschlüssel verwenden.

## Einstellung des Spaltkeils (Abb. 11)

Zur Einstellung des Spaltkeils die Sechskantschraube mit dem Steckschlüssel lösen, dann die Schutzhaube zurückschwenken. Den Spaltkeil so über den beiden Vorsprüngen für die in der Abbildung rechts gezeigten Einstellungen nach oben oder unten verstellen, daß der Abstand zwischen Spaltkeil und Sägeblatt erzielt wird.

### VORSICHT:

Bei der Einstellung des Spaltkeils die folgenden Hinweise beachten:

Der Abstand zwischen der Innenrundung des Spaltkeils und dem Zahnkranz des Sägeblattes darf 5 mm nicht überschreiten. Der unterste Punkt des Sägeblatt-Zahnkranzes darf nicht mehr als 5 mm unter der Unterkante des Spaltkeils liegen.

## Einstellung der Schnittiefe (Abb. 12)

Den Feststellhebel an der Tiefeneinstellung lösen und die Grundplatte nach oben oder unten verstellen. An der gewünschten Schnittiefe die Grundplatte durch Festziehen des Hebels sichern.

### VORSICHT:

- Zum Sägen von dünnen Werkstücken eine geringe Schnittiefe verwenden, um saubere, sichere Schnitte zu gewährleisten.
- Nach jeder Einstellung der Schnittiefe den Hebel gut festziehen.

## Einstellung für Schrägschnitte (Abb. 13)

Die Knebelmuttern vorn und hinten lösen und die Handkreissäge in die gewünschte Richtung schwenken (0° – 45°). Nach der Einstellung die Knebelmutter wieder gut festziehen.

## Schnittlinie (5603R, 5703R) (Abb. 14)

Bei rechtwinkligen Schnitten kann die rechte Aussparung vorn an der Grundplatte als Hilfsmarkierung für die Schnittlinie genutzt werden.

Bei 45°-Schrägschnitten die linke Aussparung verwenden.

## Schnittkala (5903R, 5103R) (Abb. 15)

Bei rechtwinkligen Schnitten die 0°-Aussparung als Hilfsmarkierung für die Schnittlinie benutzen, bei 45°-Schnitten die 45°-Aussparung.

## Schnittkala (5143R) (Abb. 16)

Bei rechtwinkligen Schnitten die 0°-Aussparung als Hilfsmarkierung für die Schnittlinie benutzen, bei 30°-Schnitten die 30°-Aussparung, bei 45°-Schnitten die 45°-Aussparung und bei 60°-Schnitten die 60°-Aussparung.

## Ein- und Ausschalten (Abb. 17)

### VORSICHT:

- Vor dem Anschluß der Handkreissäge an das Stromnetz immer überprüfen, ob der Ein-/Aus-Schalter ordnungsgemäß funktioniert und beim Loslassen wieder in die Ausgangsstellung (OFF) zurückspringt.

Eine Einschaltsperrung ist vorgesehen, um eine versehentliche Betätigung des Ein-/Aus-Schalters zu verhindern. Zum Einschalten die Einschaltsperrung und gleichzeitig den Ein-/Aus-Schalter drücken. Zum Ausschalten den Ein-/Aus-Schalter loslassen.

### **Betrieb (Abb. 18)**

Die Handkreissäge fest halten. Die Grundplatte so auf das zu sägende Werkstück setzen, daß das Sägeblatt nichts berührt. Danach die Handkreissäge einschalten und warten, bis das Sägeblatt seine volle Drehzahl erreicht hat. Jetzt die Handkreissäge einfach vorwärts über das Werkstück führen, horizontal halten und stetig vorwärts bewegen, bis der Schnitt komplett ist. Um saubere Schnitte zu erzielen, eine gerade Schnittlinie einhalten und die Handkreissäge mit gleichbleibender Geschwindigkeit vorwärts führen.

#### **VORSICHT:**

- Der Spaltkeil muss, außer bei Tauchschnitten, immer ordnungsgemäß montiert sein.
- Das Sägeblatt nicht durch seitlichen Druck zum Stillstand bringen.

### **Parallelanschlag (Abb. 19)**

Der Parallelanschlag wird für Schnitte eingesetzt, die exakt parallel zur Werkstückkante verlaufen. Dazu den Parallelanschlag einfach gegen die Werkstückkante schieben und mit den Schrauben vorn an der Grundplatte sichern. Außerdem können mit Hilfe des Parallelanschlags wiederholte Schnitte in gleichbleibendem Abstand ausgeführt werden.

### **Absaugstutzen (Abb. 20 u. 21)**

(zum Anschluß eines Absauggerätes)

Für saubere Sägearbeiten kann ein Absauggerät an die Handkreissäge angeschlossen werden. Den Absaugstutzen mit der Schraube an der Handkreissäge befestigen, dann den Schlauch des Absauggerätes an den Absaugstutzen anschließen.

## **WARTUNG**

#### **VORSICHT:**

Vor Arbeiten an der Handkreissäge vergewissern Sie sich, daß der Schalter in der Position OFF und der Netzstecker gezogen ist.

### **Auswechseln der Kohlebürsten (Abb. 22 u. 23)**

Wechseln Sie die Kohlebürsten aus, wenn sie bis zur Verschleißgrenze abgenutzt sind. Die beiden identischen Kohlebürsten sollten gleichzeitig ausgewechselt werden.

Zur Gewährleistung der Produktsicherheit und-zuverlässigkeit sind Reparaturen, Wartungsarbeiten und Einstellungen von einer Makita-Service-Station auszuführen.

#### **Geräusch- und Vibrationsentwicklung des Modells 5603R**

Die typischen A-bewerteten Geräuschpegel betragen:

Schalldruckpegel: 96 dB (A)

Schalleistungspegel: 109 dB (A)

– Gehörschutz tragen. –

Der gewichtete Effektivwert der Beschleunigung beträgt nicht mehr als  $2,5 \text{ m/s}^2$ .

#### **Geräusch- und Vibrationsentwicklung des Modells 5703R**

Die typischen A-bewerteten Geräuschpegel betragen:

Schalldruckpegel: 98 dB (A)

Schalleistungspegel: 111 dB (A)

– Gehörschutz tragen. –

Der gewichtete Effektivwert der Beschleunigung beträgt nicht mehr als  $2,5 \text{ m/s}^2$ .

#### **Geräusch- und Vibrationsentwicklung des Modells 5903R**

Die typischen A-bewerteten Geräuschpegel betragen:

Schalldruckpegel: 95 dB (A)

Schalleistungspegel: 108 dB (A)

– Gehörschutz tragen. –

Der gewichtete Effektivwert der Beschleunigung beträgt nicht mehr als  $2,5 \text{ m/s}^2$ .

#### **Geräusch- und Vibrationsentwicklung des Modells 5103R**

Die typischen A-bewerteten Geräuschpegel betragen:

Schalldruckpegel: 94 dB (A)

Schalleistungspegel: 107 dB (A)

– Gehörschutz tragen. –

Der gewichtete Effektivwert der Beschleunigung beträgt nicht mehr als  $2,5 \text{ m/s}^2$ .

#### **Geräusch- und Vibrationsentwicklung des Modells 5143R**

Die typischen A-bewerteten Geräuschpegel betragen:

Schalldruckpegel: 94 dB (A)

Schalleistungspegel: 107 dB (A)

– Gehörschutz tragen. –

Der gewichtete Effektivwert der Beschleunigung beträgt nicht mehr als  $2,5 \text{ m/s}^2$ .

#### **CE-KONFORMITÄTSERKLÄRUNG**

Hiermit erklärt der Unterzeichnete, Yasuhiko Kanzaki, Bevollmächtigter von Makita Corporation, 3-11-8 Sumiyoshi-Cho, Anjo, Aichi, 446-8502 Japan, daß dieses von der Firma Makita Corporation in der Volksrepublik China hergestellte Produkt

(Serien-Nr.: Serienproduktion)

gemäß den Ratsdirektiven 73/23/EWG, 89/336/EWG und 98/37/EG mit den folgenden Normen bzw. Normendokumenten übereinstimmen:

HD400, EN50144, EN55014, EN61000.

Yasuhiko Kanzaki **CE95**



Direktor

**MAKITA INTERNATIONAL EUROPE LTD.**

Michigan Drive, Tongwell, Milton Keynes,

Bucks MK15 8JD, ENGLAND



Wyjaśnienia dotyczące urządzenia i jego użycia

1	Aby uniknąć odbić, deskę lub panel należy podeprzeć blisko miejsca cięcia.	9	Kołnierz zewnętrzny	21	Płyta podstawy
2	Nie podpieraj deski lub panelu z dala od miejsca cięcia.	10	Kołnierz wewnętrzny	22	Cięcia pod kątem 45°
3	Poprawne trzymanie piły i zamocowanie przecinanego elementu.	11	Śruba z łbem sześciokątnym	23	Cięcia proste
4	Klucz inbus	12	Tarcza piły	24	Prowadnica przednia
5	Blokada wałka	13	Karby do ustawień	25	Podstawa piły
6	Zaciśnij	14	Śruba z łbem sześciokątnym (Do regulacji klina rozszczepiającego)	26	Cięcia pod kątem 60°
7	Zwolnij	15	Głębokość cięcia	27	Cięcia pod kątem 30°
8	Tarcza piły	16	Zwolnij	28	Tarcza piły
		17	Dźwignia	29	Przycisk blokady wyłączenia
		18	Śruba skrzydełkowa	30	Język włącznika
		19	Dla cięcia ukośnego 45°	31	Odkurzacz
		20	Dla cięcia prostego	32	Wskaźnik limitu
				33	Nasadka szczotki
				34	Śrubokręt

DANE TECHNICZNE

Model	5603R	5703R	5903R	5103R	5143R
Średnica tarczy .....	165 mm	190 mm	235 mm	270 mm	355 mm
Maks. głębokość cięcia					
Przy 90° .....	54 mm	66 mm	85 mm	100 mm	130 mm
Przy 45° .....	38 mm	46 mm	64 mm	73 mm	90 mm
Prędkość bez obciążenia (min <sup>-1</sup> ) .....	5.000	4.800	4.500	3.800	2.700
Całkowita długość .....	330 mm	356 mm	400 mm	442 mm	607 mm
Ciężar netto .....	4,2 kg	5,2 kg	7,6 kg	9,4 kg	14,5 kg

- Ze względu na prowadzony program udoskonaleń i badań, podane dane techniczne mogą zostać zmienione bez uprzedzenia.
- Uwaga: Dane techniczne mogą się różnić w zależności od kraju.

Zasilanie

Urządzenie to, powinno być podłączone tylko do źródła zasilania o takim samym napięciu jak pokazano na tabliczce znamionowej i może być używane tylko dla zmiennego prądu jednofazowego. Zgodnie ze standardami Unii Europejskiej zastosowano podwójną izolację i dlatego też możliwe jest zasilanie z gniazda bez uziemienia.

**Dla modelu 5703R, przy korzystaniu z publicznych systemów dystrybucji zasilania o niskim napięciu od 220 V do 250 V.**

Czynność włączania lub wyłączania urządzeń elektrycznych powoduje fluktuacje napięcia. Używanie niniejszego urządzenia w niekorzystnych warunkach zasilania sieciowego, może zakłócić działanie innych urządzeń. Można przyjąć, że jeżeli oporność zasilania sieciowego jest mniejsza lub równa 0,36 Ohma, wówczas nie wystąpią żadne zakłócenia. Gniazdo zasilania użyte do niniejszego urządzenia musi być chronione bezpiecznikiem lub ochronnym obwodem rozłączającym, z charakterystyką powolnego wyłączenia.

**Wskazówki dotyczące bezpieczeństwa.**

Dla własnego bezpieczeństwa prosimy o zapoznanie się zamieszczonymi instrukcjami bezpieczeństwa.

INSTRUKCJE BEZPIECZEŃSTWA

**Ostrzeżenie! Używając urządzeń elektrycznych podstawowe środki ostrożności muszą być zawsze zachowane, aby zmniejszyć ryzyko ognia, porażenia prądem i uszkodzenia ciała, włączając poniższe. Przeczytaj wszystkie podane instrukcje przed próbą użycia tego produktu i zachowaj je do wglądu.**

**Dla bezpiecznego użycia:**

- 1. Utrzymuj miejsce pracy w czystości**  
Zabałaganione miejsca i stoły warsztatowe sprzyjają wypadkom.
- 2. Zastanów się nad warunkami pracy**  
Nie wystawiaj urządzeń elektrycznych na deszcz. Nie używaj urządzeń elektrycznych w wilgotnych lub mokrych miejscach. Utrzymuj miejsce pracy dobrze oświetlone. Nie używaj urządzeń elektrycznych w obecności łatwopalnych płynów lub gazów.
- 3. Chroni się przed porażeniem prądu.**  
Zapobiegaj kontaktom ciała z uziemionymi powierzchniami (np. rurami, grzejnikami, kuchenkami, lodówkami).
- 4. Nie pozwalaj zbliżać się dzieciom**  
Nie pozwalaj wzytującym osobom dotykać urządzenia lub przedłużacza. Wszystkie wzytujące osoby nie powinny zbliżać się do miejsca pracy.

5. **Zachowaj nieczynne urządzenia.**  
Nieużywane urządzenia powinny być przechowywane w suchych, wysokich lub zamkniętych miejscach tak, aby były niedostępne dla dzieci.
6. **Nie przeciążaj urządzenia.**  
Wykona ono pracę lepiej i bezpieczniej, pracując w sposób, dla którego zostało ono zaprojektowane.
7. **Używaj poprawnego urządzenia.**  
Nie nadużywaj małych lub dodatkowych urządzeń do wykonania pracy urządzeń do dużej pracy. Nie używaj urządzeń do celów, do których nie zostały przeznaczone; na przykład, nie używaj piły tarczowej do przycinania gałęzi lub kłód drzew.
8. **Ubierz się odpowiednio**  
Nie noś luźnych ubrań lub biżuterii. Mogą one zostać zahaczone o ruchome części. Gumowe rękawiczki i przeciwpoślizgowe buty są wskazane przy pracy na dworze. Zaleca się noszenie ochrony na głowę przytrzymującej długie włosy.
9. **Użyj okularów ochronnych i ochraniaczy uszu.**  
Użyj masek na twarz lub masek przeciwpyłowych jeżeli czynność cięcia wytwarza pyły.
10. **Podłącz urządzenie usuwające pył.**  
Jeżeli urządzenia posiadają podłączenia do urządzeń do usuwania i składowania pyłu, upewnij się, że są one poprawnie podłączone i użyte.
11. **Uważaj na przewód sieciowy**  
Nigdy nie noś urządzenia trzymając za przewód i nie oddając go od gniazda przez pociągnięcie przewodu. Chroń przewód przed ciepłem, olejem i ostrymi krawędziami.
12. **Pewnie mocuj cięte elementy.**  
Użyj ściszków lub imadła do zamocowania ciętych elementów. Jest to bezpieczniejsze niż używanie rąk, a dodatkowo zwalnia obie ręce do obsługiwanego piły.
13. **Używając piłę, nie oddalaj jej zbyt od siebie.**  
Cały czas trzymaj dobrze ustawione nogi i równowagę.
14. **Pamiętaj o dobrej konserwacji urządzenia.**  
Utrzymuj urządzenie ostre i czyste dla jego lepszego i bezpieczniejszego działania. Wykonaj podane instrukcje w celu smarowania lub wymiany elementów wyposażenia. Regularnie sprawdzaj przewody urządzenia, i jeżeli są uszkodzone, oddaj je do naprawy do autoryzowanego serwisu. Regularnie sprawdzaj przewody przedłużające i wymień je, jeżeli są uszkodzone. Utrzymuj uchwyty suche, czyste i nie zabrudzone olejem lub smarem.
15. **Odłącz urządzenia**  
Przed konserwacją urządzenia lub zmianą wyposażenia takiego jak tarcze, noże do struga i noże do frezowania, gdy nie jest ono używane.
16. **Wymij klucze regulacyjne**  
Nabierz zwyczaju sprawdzania czy klucze regulacyjne są usunięte z urządzenia przed jego użyciem.
17. **Unikaj przypadkowych uruchomień.**  
Nie noś podłączonego urządzenia z palcem na włączniku. Upewnij się, że urządzenie jest wyłączone, gdy je podłączasz do zasilania.
18. **Zastosuj przedłużacz używając urządzenia na dworze.**  
Gdy urządzenie używane jest na dworze, stosuj tylko przedłużacze przeznaczone i oznaczone do pracy na dworze.
19. **Bądź uważny**  
Patrz ko róbisz. Bądź rozsądny. Nie używaj urządzenia, gdy jesteś zmęczony.
20. **Sprawdzaj uszkodzone części.**  
Przed dalszym użyciem urządzenia, osłona lub inne części, które są uszkodzone, muszą być uważnie sprawdzone, aby upewnić się, że będą poprawnie działać i wykonywać przeznaczone im funkcje. Sprawdź ustawienia ruchomych części, oprawy ruchomych części, pęknięcia części, zamocowania, i jakiegokolwiek inne warunki, które mogą wpływać na działanie. Osłona lub inne części, które są uszkodzone, powinny być naprawione lub wymienione przez autoryzowany serwis, jeżeli w instrukcji nie podano inaczej. Uszkodzone przełączniki powinny być wymienione przez autoryzowany serwis. Nie używaj urządzenia, jeżeli włącznik nie może go włączyć lub wyłączyć.
21. **Ostrzeżenie**  
Użycie jakiegokolwiek innego wyposażenia lub części dodatkowych innych niż zalecane w tej instrukcji obsługi lub katalogu, może stworzyć ryzyko uszkodzenia ciała.
22. **Naprawy urządzenia powinny być wykonywane tylko przez specjalistę.**  
To urządzenie jest wykonane zgodnie z odpowiednimi zasadami bezpieczeństwa. Naprawa urządzeń elektrycznych może być wykonana wyłącznie przez specjalistę, gdyż w przeciwnym wypadku może ono stanowić zagrożenie dla użytkownika.

## DODATKOWE ZASADY BEZPIECZEŃSTWA

1. **Używaj ochraniaczy uszu.**
2. **Trzymaj osłony na miejscu i w przeznaczony do pracy sposób. Nigdy nie klinuj lub przywiązuaj dolnej osłony, tak aby była otwarta. Sprawdzaj działanie dolnej osłony przed każdym użyciem. Nie używaj urządzenia, jeżeli dolna osłona nie zamyka się szybko na tarczy piły. OSTRZEŻENIE: Jeżeli piła zostanie upuszczona, dolna osłona może się skrzywić, uniemożliwiając pełne jej zamknięcie.**
3. **Nie używaj tarcz, które są zdeformowane lub popękane.**

4. Nie używaj tarcz szybkoobrotowych ze stali wysokostopowej.
5. Nie zatrzymuj tarcz przez poprzeczny nacisk na tarczę piły.
6. Utrzymuj tarcze czyste i ostre. Ostre tarcze, minimalizują zatrzymania silnika i odbicia piły.
7. **NIEBEZPIECZEŃSTWO:**  
Trzymaj ręce z dala od miejsca cięcia. Trzymaj ręce z dala od tarczy piły. Nie sięgaj rękami pod cięty element w trakcie, gdy tarcza porusza się. Nie próbuj usunąć odciętego materiału, gdy tarcza porusza się.  
**OSTRZEŻENIE: OSTRZEŻENIE:** Zaraz po wyłączeniu tarcza obraca się.
8. Podparcie dużych paneli. (Rys. 1 i 2)  
Duże panele muszą być podparte w sposób pokazany na rysunku.1 aby zmniejszyć ryzyko zaklinowania się tarczy i odbić. Gdy cięcie wymaga oparcia piły na ciętym elemencie, piła powinna opierać się na większej części, zaś mniejsza powinna być odcinana.
9. Użycie prowadnicy cięcia wzdłużnego  
Zawsze używaj prowadnicy cięcia wzdłużnego lub prowadnicy o prostej krawędzi do prowadzenia piły, gdy wykonujesz cięcie wzdłużne.
10. Ochrona przed odbiciami. (Rys. 1 i 3)  
Odbicia pojawiają się, gdy piła jest nagle zatrzymana i odbija ją w kierunku operatora. Natychmiast zwolnij włącznik, gdy tarcza zakleszczy się lub piła zatrzyma się. Utrzymuj tarcze ostre. Podpieraj duże panele w sposób pokazany na rys. 1.  
Używaj prowadnicy cięcia wzdłużnego lub prowadnicy o prostej krawędzi do prowadzenia piły, gdy wykonujesz cięcie wzdłużne. Nie przeciążaj urządzenia. Bądź uważny naucz się opanowania. Nie wyjmuj piły z ciętego elementu w trakcie cięcia, gdy tarcza porusza się.  
**NIGDY** nie umieszczaj rąk ani palców poza piłą. Jeżeli wystąpi odbicie, piła może skoczyć do tyłu nad twoją ręką, mogąc Cię poważnie ranić.
11. Dolna osłona.  
Podnieś dolną osłonę używając uchwytu samo- powracającego.
12. Ustawienia.  
Przed rozpoczęciem cięcia upewnij się, że głębokość jak i kąt cięcia ukośnego są pewnie nastawione.
13. W zamocowaniu instaluj tylko odpowiednie tarcze.  
Nie używaj tarcz z nieodpowiednimi otworami. Nigdy nie używaj uszkodzonych lub nieodpowiednich śrub ani podkładek do tarcz.
14. Unikaj cięcia gwoździ.  
Sprawdź i usuń wszystkie gwoździe z drzewa przed cięciem.
15. Trzymaj przewód z dala od miejsca cięcia i umieść go tak, aby nie został zahaczony przez cięty element w trakcie używania piły. Używaj piły stosując jej odpowiednie trzymanie, odpowiednie podparcie ciętego elementu i zapewnij miejsce na przewód z dala od miejsca pracy.  
**OSTRZEŻENIE:**  
Ważne jest, aby poprawnie podeprzeć cięty element i mocno trzymać piłę, aby nie stracić nad nią kontroli i nie spowodować uszkodzenia ciała. Rys.4 pokazuje typowy sposób trzymania piły.
16. Umieść szerszą część podstawy piły na części ciętego elementu, który jest mocno podparty, a nie na części, która spadnie, gdy cięcie zostanie wykonane.  
Jako przykład, rys. 5 pokazuje **POPRAWNY** sposób cięcia końca deski, zaś rys.6 **NIEPOPRAWNY** sposób. Jeżeli cięty element jest krótki lub mały, umocuj go ściskami. **NIE WOLNO TRZYMAĆ RĘKĄ KRÓTKICH ELEMENTÓW!** (Rys. 6)
17. Nigdy nie próbuj ciąć piłą tarczową trzymając ją w imadle do góry nogami. Jest to bardzo niebezpieczne i może doprowadzić do ciężkich wypadków. (Rys. 7)
18. Przed położeniem urządzenia po wykonaniu cięcia, upewnij się, że dolna (teleskopowa) osłona zamknęła się i, że tarcza zatrzymała się zupełnie.
19. Użycie danych producenta
  - Upewnij się, że średnica, grubość i inne charakterystyki tarczy są odpowiednie dla tego urządzenia.
  - Upewnij się, że tarcza jest odpowiednia dla prędkości obrotowej urządzenia.
20. Nie używaj tarczy ściernych.

## **ZACHOWAJ TĘ INSTRUKCJĘ.**

## INSTRUKCJA OBSŁUGI

### Wymowianie i instalowanie tarczy.

Następujące tarcze mogą być użyte w tym urządzeniu.

Model	Max. średn.	Min. średn.	Grubość tarczy	Nacięcia
5603R	165 mm	150 mm	Mniej niż 1,7 mm	Więcej niż 1,9 mm
5703R	190 mm	170 mm	Mniej niż 1,7 mm	Więcej niż 1,9 mm
5903R	235 mm	210 mm	Mniej niż 1,9 mm	Więcej niż 2,1 mm
5103R	270 mm	260 mm	Mniej niż 1,8 mm	Więcej niż 2,2 mm
5143R	355 mm	350 mm	Mniej niż 2,3 mm	Więcej niż 2,7 mm

Grubość klina rozszczepiającego wynosi 1,8 mm, dla modeli 5603R i 5703R lub 2,0 mm dla Modeli 5903R i 5103R lub 2,5 mm dla Modelu 5143R.

#### OSTRZEŻENIE:

- Nie używaj tarcz, które nie spełniają charakterystyk określonych w tej instrukcji.
- Nie używaj tarcz, których dysk jest grubszy lub, których zestaw, jest mniejszy niż grubość klina rozszczepiającego.

Aby wyjąć tarczę, obniż do końca blokadę wałka, aby zablokować jego obracanie się, a następnie użyj klucza inbus, aby poluznić śrubę z łbem gniazdowym sześciokątnym. **(Rys. 8)**

Teraz wyjmij kołnierz zewnętrzny, unieś pokrywę ochronną na tyle na ile jest to możliwe i wyjmij tarczę. **(Rys. 9)**

Zainstaluj tarczę wykonując powyższe czynności w odwrotnej kolejności. W podanej kolejności zainstaluj kołnierz wewnętrzny, tarczę, kołnierz zewnętrzny i śrubę z łbem gniazdowym sześciokątnym. Upewnij się, że śruba z łbem gniazdowym sześciokątnym jest mocno przykręcona pamiętając o pełnym obniżeniu blokady wałka. **(Rys. 8 i 10)**

#### OSTRZEŻENIE:

- Upewnij się, że zęby tarczy wskazują ten sam kierunek do przodu co kierunek obracania się tarczy (strzałka na tarczy powinna wskazywać ten sam kierunek co strzałka na urządzeniu).
- Nigdy nie obniżaj blokady wałka w trakcie pracy piły.
- Używaj tylko klucza inbus Makita do wymowiania i instalowania tarczy.

### Ustawienie klina rozszczepiającego (Rys. 11)

Użyj klucza unbus do poluznienia śruby z łbem gniazdowym sześciokątnym a następnie unieś pokrywę ochronną. Przesuń klin rozszczepiający do góry lub do dołu nad dwoma karbami, aby wykonać ustawienia pokazane na ilustracji tak, aby otrzymać poprawną odległość pomiędzy klinem rozszczepiającym a tarczą.

#### OSTRZEŻENIE:

Upewnij się, że klin rozszczepiający jest ustawiony w taki sposób, że:

Dystans pomiędzy klinem rozszczepiającym, a zębatym obrzeżem piły nie jest większy niż 5 mm. Zębate obrzeże piły nie powinno wychodzić ponad dolną krawędź klina rozszczepiającego więcej niż 5 mm.

### Ustawienie głębokości cięcia (Rys. 12)

Rozluźnij dźwignię w prowadnicy głębokości i przesuń podstawę do góry lub do dołu. Na żądanej głębokości cięcia, zamocuj bazę zaciskając dźwignię.

#### OSTRZEŻENIE:

- Użyj płytkiej głębokości cięcia przy przecinaniu cienkich elementów dla czystszej i bezpieczniejszego cięcia.
- Po ustawieniu głębokości cięcia, zawsze pewnie zaciśnij dźwignię.

### Ustawienie cięcia skośnego (Rys. 13)

Poluznij śrubę skrzydełkową na przdzie i na tyle i skręć urządzenie do żądanej kąta cięcia skośnego. (0°–45°). Upewnij się, że śruby skrzydełkowe z przodu i z tyłu są dobrze zakręcone, po wykonaniu ustawienia.

### Celowanie (5603R, 5703R) (Rys. 14)

Dla prostych cięć, ustaw prawe wycięcie na przdzie podstawy z linią cięcia na elemencie. Dla cięć skośnych 45°, ustaw lewe wycięcie.

### Prowadnica przednia (5903R, 5103R) (Rys. 15)

Ustaw na linii cięcia wycięcie 0° dla cięcia prostego, lub 45° dla cięcia pod kątem 45°.

### Prowadnica przednia (5143R,) (Rys. 16)

Ustaw na linii cięcia wycięcie 0° dla cięcia prostego, lub 30° dla cięcia pod kątem 30°, lub 45° dla cięcia pod kątem 45°, lub 60° dla cięcia pod kątem 60°.

## **Funkcje włącznika (Rys. 17)**

Aby zapobiec przypadkowemu wysunięciu się języka włącznika, zainstalowano przycisk blokady wyłączania. Aby uruchomić urządzenie, naciśnij przycisk blokady wyłączania i wciśnij język włącznika. Zwolnij język włącznika, aby zatrzymać urządzenie.

### **OSTRZEŻENIE:**

Przed podłączeniem urządzenia, zawsze upewnij się, że język włącznika poprawnie powraca do pozycji "OFF" (Wył.), gdy zostanie zwolniony.

## **Obsługa piły (Rys. 18)**

Trzymaj piłę pewnie. Ustaw piłę na elemencie do cięcia tak, aby tarcza nie dotykała elementu. Następnie włącz urządzenie i zaczekaj dopóki tarcza nie osiągnie pełnej prędkości. Teraz, przesuw urządzenie do przodu po powierzchni elementu, trzymając je płasko i przesuwając płynnie dopóki cięcie nie zostanie zakończone. Aby uzyskać czyste cięcie, trzymaj prostą linię cięcia i jednakową prędkość przesuwania.

### **OSTRZEŻENIE:**

- Klin rozszczepiający powinien być zawsze używany, z wyjątkiem, gdy piła wprowadzana jest w środek ciętego elementu.
- Nie zatrzymuj tarczy przez poprzeczny nacisk na tarczę piły.

## **Prowadnica krawędziowa (Rys. 19)**

Poręczna prowadnica krawędziowa umożliwia bardzo dokładne proste cięcia. Po prostu przesuw prowadnicę krawędziową dokładnie do strony ciętego elementu, a następnie umocuj ją w tej pozycji przy pomocy śruby na przedzie podstawy. Umożliwia ona również wielokrotne cięcia o tej samej grubości.

## **Montaż złącza (Rys. 20 i 21)**

(dla podłączenia odkurzacza)

Gdy wymagane jest czyste cięcie, podłącz odkurzacz do urządzenia. Zainstaluj złącze w urządzeniu używając śrubokrętu. Następnie, podłącz rurę odkurzacza do złącza.

## **KONSERWACJA**

### **OSTRZEŻENIE:**

Zawsze upewnij się, że urządzenie jest wyłączone i odłączone od zasilania przed wykonywaniem jakichkolwiek prac nad urządzeniem.

### **Wymiana szczoteczki węglowej (Rys. 22 i 23)**

Wymień szczoteczki węglowe, gdy są starte do wskaźnika limitu. Dwie takie same szczoteczki węglowe powinny być wymienione w tym samym czasie.

Aby zapewnić bezpieczeństwo i niezawodność produktu, naprawy i konserwacje lub ustawianie powinno być wykonywane przez autoryzowany serwis Makita.

### **Szumy i drgania modelu 5603R**

Typowe A-ważone poziomy szumów  
poziom ciśnienia dźwięku: 96 dB (A).  
poziom dźwięku w trakcie pracy: 109 dB (A).  
- Noś ochraniacze uszu. -

Typowa wartość ważonej średniej kwadratowej przyspieszenia nie jest większa niż 2,5 m/s<sup>2</sup>.

### **Szumy i drgania modelu 5703R**

Typowy A-ważone poziomy szumów  
poziom ciśnienia dźwięku: 98 dB (A).  
poziom dźwięku w trakcie pracy: 111 dB (A).  
- Noś ochraniacze uszu. -

Typowa wartość ważonej średniej kwadratowej przyspieszenia nie jest większa niż 2,5 m/s<sup>2</sup>.

### **Szumy i drgania modelu 5903R**

Typowy A-ważone poziomy szumów  
poziom ciśnienia dźwięku: 95 dB (A).  
poziom dźwięku w trakcie pracy: 108 dB (A).  
- Noś ochraniacze uszu. -

Typowa wartość ważonej średniej kwadratowej przyspieszenia nie jest większa niż 2,5 m/s<sup>2</sup>.

### **Szumy i drgania modelu 5103R**

Typowy A-ważone poziomy szumów  
poziom ciśnienia dźwięku: 94 dB (A).  
poziom dźwięku w trakcie pracy: 107 dB (A).  
- Noś ochraniacze uszu. -

Typowa wartość ważonej średniej kwadratowej przyspieszenia nie jest większa niż 2,5 m/s<sup>2</sup>.

### **Szumy i drgania modelu 5143R**

Typowy A-ważone poziomy szumów  
poziom ciśnienia dźwięku: 94 dB (A).  
poziom dźwięku w trakcie pracy: 107 dB (A).  
- Noś ochraniacze uszu. -

Typowa wartość ważonej średniej kwadratowej przyspieszenia nie jest większa niż 2,5 m/s<sup>2</sup>.

### **CE-DEKLARACJA ZGODNOŚCI**

Niżej podpisany, Yasuhiko Kanzaki, autoryzowany przez Korporację Makita, 3-11-8 Sumiyoshi-Cho, Anjo, Aichi, 446-8502 Japan, deklaruje, iż niniejszy produkt

(Nr seryjny: seria produkcyjna)

wyprodukowany przez Korporację Makita w Japonii jest zgodny z następującymi standardami lub dokumentami standaryzacji,

HD400, EN50144, EN55014, EN61000

i w zgodzie z Dyrektywami Rady 73/23/EEC, 89/336/EEC and 98/37/EC.

Yasuhiko Kanzaki **CE95**



Dyrektor

**MAKITA INTERNATIONAL EUROPE LTD.**

Michigan Drive, Tongwell, Milton Keynes,  
Bucks MK15 8JD, ENGLAND

## Объяснения общего плана

1	Во избежание отдачи закрепите доску или панель возле резки.	11	Болт с шестигранной головкой	22	Наклонная резка под углом 45°
2	Не закрепляйте доску или панель вдалеке от резки.	12	Лезвие пилы	23	Прямая резка
3	Типичный рисунок для правильного упора руки и крепления рабочего изделия.	13	Установка выступов	24	Верхняя направляющая
4	Торцовый гаечный ключ	14	Болт с шестигранной головкой (Для регулировки раскалывающего ножа)	25	Основа
5	Фиксатор оси	15	Глубина резки	26	Наклонная резка под углом 60°
6	Завинтите	16	Отвинтите	27	Наклонная резка под углом 30°
7	Развинтите	17	Рычаг	28	Лезвие пилы
8	Лезвие пилы	18	Винт с накатанной головкой	29	Кнопка фиксации
9	Внешний фланец	19	Для 45° наклонной резки	30	Пусковой механизм
10	Внутренний фланец	20	Для прямой резки	31	Пылесос
		21	Опорная плита	32	Ограничительной метки
				33	Крышка держателя щеток
				34	Отвертка

## ТЕХНИЧЕСКИЕ ХАРАКТЕРИСТИКИ

Модель	5603R	5703R	5903R	5103R	5143R
Диаметр лезвия .....	165 мм	190 мм	235 мм	270 мм	355 мм
Макс. глубина резки					
При 90° .....	54 мм	66 мм	85 мм	100 мм	130 мм
При 45° .....	38 мм	46 мм	64 мм	73 мм	90 мм
Скорость в незагруженном состоянии (мин <sup>-1</sup> ) .....	5 000	4 800	4 500	3 800	2 700
Общая длина .....	330 мм	356 мм	400 мм	442 мм	607 мм
Масса нетто .....	4,2 кг	5,2 кг	7,6 кг	9,4 кг	14,5 кг

- Вследствие нашей продолжающейся программы поиска и разработок технические характеристики могут быть изменены без уведомления.
- Примечание: Технические характеристики могут различаться в зависимости от страны.

### Источник питания

Инструмент должен быть подсоединен только к источнику питания с напряжением, указанным в табличке номиналов, и может функционировать только от однофазного источника питания переменного тока. В соответствии с Европейским стандартом имеется двойная изоляция, следовательно, возможно использование с розетками без провода заземления.

### Для модели 5703R, общественные низковольтные распределительные системы с напряжением 220 В и 250 В

Переключение функционирования электрической аппаратуры вызывает флуктуации напряжения. Функционирование этого аппарата в неблагоприятных условиях электропитания может оказать негативное воздействие на функционирование другого оборудования. При сопротивлении сети питания равном или менее 0,36 Ом можно заключить, что не будет наблюдаться негативное воздействие. Розетка сети питания, используемая для этого аппарата, должна быть защищена с помощью предохранителя или защитного схемного переключателя, имеющего низкие размыкающие характеристики.

### Советы по мерам безопасности

С целью Вашей личной безопасности прочитайте, пожалуйста, приведенные инструкции по мерам безопасности.

## ИНСТРУКЦИИ ПО МЕРАМ БЕЗОПАСНОСТИ

**Предостережение!** При использовании электрических инструментов следует всегда соблюдать основные меры безопасности для уменьшения опасности пожара, поражения электрическим током и персональных травм, включая следующие.

Прочитайте эти инструкции перед тем, как пытаться управлять этим изделием, и сохраните эти инструкции.

Для безопасного функционирования:

- 1. Поддерживайте чистоту на рабочем месте**  
Захламленные места и подставки могут привести к травмам.
- 2. Учитывайте рабочую окружающую среду**  
Не подвергайте инструменты с электроприводом воздействию дождя. Не используйте инструменты с электроприводом в сырых или влажных местах. Поддерживайте хорошее освещение на рабочем месте. Не используйте инструменты с электроприводом в присутствии возгораемых жидкостей или газов.
- 3. Предохраняйтесь от поражения электрическим током**  
Предотвращайте контакт тела с заземленными поверхностями (например, трубами, радиаторами, батареями, холодильниками).
- 4. Держитесь подальше от детей**  
Не позволяйте посетителям прикасаться к инструменту или шнуру-удлинителю. Все посетители должны находиться подальше от рабочей области.
- 5. Правильно храните неработающие инструменты**  
Если инструменты не используются, они должны храниться в сухом, высоком или закрытом месте, вне досягаемости детей.
- 6. Не прилагайте усилие к инструменту**  
Он будет выполнять работу лучше и безопаснее при скорости, для которой он предназначен.
- 7. Используйте правильный инструмент**  
Не пытайтесь прилагать усилие к маленьким инструментам или присоединениям для выполнения работы инструмента тяжелого назначения. Не используйте инструменты для непредназначенных целей; например, не используйте дисковую пилу для резки веток или корней деревьев.
- 8. Одевайтесь правильно**  
Не одевайте свисающую одежду или украшения. Они могут попасть в движущиеся части. При работе на улице рекомендуется одевать резиновые перчатки и нескользящую обувь. Одевайте предохранительный головной убор для убирания длинных волос.
- 9. Используйте защитные очки и предохранительные приборы для слуха.**  
Если работа по резке является пыльной, используйте также маску для лица или пылезащитную маску

### 10. Подсоедините пылесасывающее оборудование

Если имеются подсоединения устройств для всасывания и сбора пыли, убедитесь в том, что они подсоединены и используются правильно.

### 11. Не прилагайте усилие к шнуру

Никогда не носите инструмент за шнур и не дергайте за него для отсоединения его из розетки. Держите шнур подальше от жарких мест, масла и острых краев.

### 12. Закрепите рабочее изделие

Используйте зажимы или тиски для крепления рабочего изделия. Это является более безопасным, чем использование Вашей руки, и при этом освобождаются две руки для управления инструментом.

### 13. Не заходите слишком далеко

Сохраняйте правильную стойку и баланс все время.

### 14. Осторожно обращайтесь с инструментами

Держите инструменты острыми и чистыми для более лучшей и безопасной работы. Следуйте инструкциям для смазки и смены принадлежностей. Периодически проверяйте шнуры инструмента, и, если они повреждены, обращайтесь относительно ремонта в уполномоченный центр по техобслуживанию. Периодически проверяйте шнуры-удлинители и заменяйте, если они повреждены. Держите ручки сухими чистыми и свободными от масла или смазки.

### 15. Отсоединяйте инструменты

Если не используются, перед техобслуживанием, и при смене принадлежностей, таких, как лезвия, резцы и резак.

### 16. Убирайте регулировочные ключи и гаечные ключи

Сформируйте привычку проверять, что регулировочные ключи и гаечные ключи убраны с инструмента перед его включением.

### 17. Избегайте случайных запусков

Не носите подсоединенный к сети инструмент с пальцем, находящемся на переключателе. Перед подсоединением инструмента к сети убедитесь, что переключатель находится в положении "выкл".

### 18. Шнуры-удлинители для использования на улице

Когда инструмент используется на улице, используйте только шнуры-удлинители, предназначенные для использования на улице с указанием этого.

### 19. Будьте бдительны

Наблюдайте за тем, что Вы делаете. Используйте разумный подход. Не управляйте инструментом, если Вы устали.



20. **Проверяйте поврежденные части**  
Перед дальнейшим использованием инструмента, предохранитель или другая часть должны быть тщательно проверены для определения того, что они будут функционировать правильно и выполнять предназначенную функцию. Проверьте на предмет совмещения движущихся частей, соединения движущихся частей, поломки частей, монтажа и других условий, которые могут повлиять на их функционирование. Предохранитель или другая часть должны быть правильно отремонтированы или заменены в уполномоченном центре по техобслуживанию, если только не указано другое в этой инструкции по эксплуатации. Дефектные переключатели должны быть заменены в уполномоченном центре по техобслуживанию. Не используйте инструмент, если невозможно его включение и выключение с помощью переключателя.
21. **Предостережение**  
Использование любой другой принадлежности или присоединения, отличного от рекомендуемого в этой инструкции по эксплуатации или каталоге, может привести к опасности персональной травмы.
22. **Используйте для ремонта услуги специалиста**  
Это электрическое оборудование соответствует относящимся к нему правилам безопасности. Ремонт электрического оборудования может проводиться только специалистами, в противном случае, он может вызвать существенную опасность для пользователя.
6. Держите лезвия чистыми и острыми. Острые лезвия уменьшают застревание и отдачу.
7. **ОПАСНО:**  
Держите руки подальше от области резки. Держите руки подальше от лезвий. Не касайтесь низа изделия во время вращения лезвия. Не пытайтесь удалить отрезанный материал во время движения лезвия.  
**ПРЕДУПРЕЖДЕНИЕ:** Лезвия движутся после выключения.
8. **Закрепите большие панели. (Рис. 1 и 2)**  
Большие панели должны быть закреплены, как показано на рис. 1 для уменьшения опасности прищемления лезвия и отдачи.  
Когда операция резки требует, чтобы пила находилась на рабочем изделии, пила должна находиться на большем куске, а меньший кусок срезается.
9. **Используйте разборное ограждение.**  
Всегда используйте ограждение или предохранитель с прямыми краями при продольной резке.
10. **Предохранитель против отдачи (Рис. 1 и 3)**  
Отдача происходит, если пила быстро застревает и перемещается назад по направлению к оператору. Если лезвие изгибается, или пила застревает, немедленно высвободите переключатель. Держите лезвия острыми. Закрепите большие панели, как показано на рис. 1. Используйте ограждение или предохранитель с прямыми краями при продольной резке. Не прикладывайте усилие к инструменту. Будьте бдительны – контролируйте работу. Не вынимайте пилу из изделия во время резки, когда движется лезвие.

## ДОПОЛНИТЕЛЬНЫЕ ПРАВИЛА БЕЗОПАСНОСТИ

1. Одевайте предохранительные приборы для слуха.
2. Держите предохранители на месте и в рабочем порядке.  
Никогда не закрепляйте и не привязывайте нижний предохранитель в открытом состоянии. Проверьте работу нижнего предохранителя перед каждым использованием. Не используйте, если нижний предохранитель не закрывается быстро над лезвием пилы.  
**ПРЕДУПРЕЖДЕНИЕ:** Если Вы уронили пилу, нижний предохранитель может изогнуться, затрудняя полные повороты.
3. Не используйте лезвия, которые деформированы или расколоты.
4. Не используйте лезвия из высокоскоростной стали.
5. Не останавливайте лезвия путем горизонтального давления на лезвие пилы.
11. Нижний предохранитель.  
Поднимите нижний предохранитель с помощью выдвигающейся ручки.
12. Регулировки.  
Перед выполнением резки убедитесь в том, что регулировки глубины и наклона являются точными.
13. При монтаже используйте только правильные лезвия.  
Не используйте лезвия с неправильным размером отверстий. Никогда не используйте дефектные или неправильные шайбы или болты для лезвий.
14. Избегайте резки гвоздей.  
Проверьте наличие и удалите все гвозди из пиломатериалов перед резкой.

15. Во время управления пилой держите шнур подальше от области резки и расположите его так, чтобы он не попал на рабочее изделие во время операции резки. Управляйте с правильным упором руки, правильным креплением рабочего изделия и шнуром питания, проходящим подальше от рабочей области.

**ПРЕДОСТЕРЕЖЕНИЕ:**

Важно правильно закрепить рабочее изделие и плотно держать пилу для предотвращения потери контроля, который может привести к персональной травме. На рис. 4 показан типичный упор руки на пилу.

16. Разместите более широкий участок основы пилы на части рабочего изделия, которая сильно закреплена, а не на секции, которая упадет после выполнения резки. Например, на рис. 5 показан ПРАВИЛЬНЫЙ метод обрезания конца доски, а на рис. 6 показан НЕПРАВИЛЬНЫЙ метод. Если рабочее изделие является коротким или маленьким, зажмите его. НЕ ПЫТАЙТЕСЬ ДЕРЖАТЬ КОРОТКИЕ КУСКИ РУКОЙ! (Рис. 6)

17. Никогда не пытайтесь распиливать дисковой пилой, держа её вверх дном и в тисках. Это является очень опасным и может привести к серьезным происшествиям. (Рис. 7)

18. Перед снятием инструмента по окончании резки, следует убедиться, что нижний (телескопический) предохранитель закрыт, и лезвие полностью остановлено.

19. Используйте данные производителя

- Убедитесь в том, что диаметр, толщина и другие характеристики лезвия пилы являются подходящими для инструмента.

- Убедитесь в том, что лезвие пилы является подходящим для скорости вращения инструмента.

20. Не используйте никакие абразивные диски.

**СОХРАНИТЕ ЭТИ ИНСТРУКЦИИ.**

**ИНСТРУКЦИЯ ПО ЭКСПЛУАТАЦИИ**

**Удаление или установка лезвия пилы**

С этим инструментом возможно использование следующего лезвия.

Модель	Макс. диаметр	Мин. диаметр	Толщина лезвия	Пропил
5603R	165 мм	150 мм	Менее чем 1,7 мм	Более чем 1,9 мм
5703R	190 мм	170 мм	Менее чем 1,7 мм	Более чем 1,9 мм
5903R	235 мм	210 мм	Менее чем 1,9 мм	Более чем 2,1 мм
5103R	270 мм	260 мм	Менее чем 1,8 мм	Более чем 2,2 мм
5143R	355 мм	350 мм	Менее чем 2,3 мм	Более чем 2,7 мм

Толщина раскалывающего ножа составляет 1,8 мм для моделей 5603R и 5703R или 2,0 мм для моделей 5903R и 5103R или 2,5 мм для модели 5143R.

**ПРЕДУПРЕЖДЕНИЕ:**

- Не используйте лезвия пилы, которые не соответствуют характеристикам, заданным в этой инструкции.
- Не используйте лезвия пилы, диск которых толще, или развод которых меньше, чем толщина раскалывающего ножа.

Для удаления лезвия пилы, высвободите фиксатор оси полностью для предотвращения вращения оси, затем используйте торцовый гаечный ключ для развинчивания болта с шестигранной головкой. (Рис. 8)

Сейчас удалите внешний фланец, поднимите защитную крышку, как можно выше, и удалите лезвие пилы. (Рис. 9)

Установите лезвие пилы, используя процедуру, обратную удалению. Установите внутренний фланец, лезвие пилы, внешний фланец и болт с шестигранной головкой, в этом порядке. Следует надежно зафиксировать болт с шестигранной головкой. (Рис. 8 и 10)

**ПРЕДУПРЕЖДЕНИЕ:**

- Убедитесь в том, что зубья лезвия направлены в том же направлении, что и вращение инструмента (стрелка на лезвии должна быть направлена в том же направлении, что и стрелка на инструменте.)
- Никогда не высвобождайте фиксатор оси во время работы пилы.
- Используйте только торцовый гаечный ключ Makita для удаления или установки лезвия.

### **Регулировка раскалывающего ножа (Рис. 11)**

Используйте торцовый гаечный ключ для развинчивания болта с шестигранной головкой для регулировки раскалывающего ножа, затем поднимите защитную крышку. Переместите раскалывающий нож вверх или вниз над двумя выступами для установок, указанных на рисунке так, чтобы получить правильное соответствие между раскалывающим ножом и лезвием пилы.

#### **ПРЕДУПРЕЖДЕНИЕ:**

Убедитесь в том, что раскалывающий нож подрегулирован так, что:

Расстояние между раскалывающим ножом и зубчатым краем лезвия пилы составляет не более чем 5 мм. Зубчатый край не простирается более чем на 5 мм ниже нижнего края раскалывающего ножа.

### **Регулировка глубины резки (Рис. 12)**

Развинтите рычаг на направляющей глубины и переместите основу вверх или вниз. На желаемой глубине резки зафиксируйте основу, закрутив рычаг.

#### **ПРЕДУПРЕЖДЕНИЕ:**

- Используйте небольшую глубину резки при разрезании тонкого рабочего изделия с целью более чистой безопасной резки.
- После регулировки глубины резки всегда надежно закручивайте рычаг.

### **Регулировка для наклонной резки (Рис. 13)**

Развинтите винты с накатанной головкой спереди и сзади и наклоните инструмент на желаемый угол для наклонной резки (0°–45°). После выполнения регулировки надежно зафиксируйте винты с накатанной головкой спереди и сзади.

### **Визирование (5603R, 5703R) (Рис. 14)**

Для прямой резки совместите правую выемку на передней стороне основы с Вашей линией резки на рабочем изделии. Для наклонной резки 45° совместите с ней левую выемку.

### **Верхняя направляющая (5903R, 5103R) (Рис. 15)**

Совместите Вашу линию просмотра либо с выемкой 0° для прямой резки, либо с выемкой 45° для наклонной резки под углом 45°.

### **Верхняя направляющая (5143R) (Рис. 16)**

Совместите Вашу линию просмотра либо с выемкой 0° для прямой резки, либо с выемкой 30° для наклонной резки под углом 30° либо с выемкой 45° для наклонной резки под углом 45° либо с выемкой 60° для наклонной резки под углом 60°.

### **Действие переключения (Рис. 17)**

Для предотвращения случайного нажатия пускового механизма имеется кнопка фиксации. Для запуска инструмента высвободите кнопку фиксации и нажмите пусковой механизм. Высвободите пусковой механизм для остановки.

#### **ПРЕДУПРЕЖДЕНИЕ:**

Перед подсоединением инструмента всегда проверяйте, чтобы видеть, что пусковой механизм действует правильно и возвращается в положение "OFF" (выкл.) при высвобождении.

### **Управление (Рис. 18)**

Держите инструмент крепко. Установите опорную плиту на рабочее изделие для резки без контакта с лезвием. Затем включите инструмент и подождите до тех пор, пока лезвие не наберет полную скорость. Сейчас просто переместите инструмент над поверхностью рабочего изделия, сохраняя его в горизонтальном положении и продвигая плавно до тех пор, пока не завершено распиливание. Для получения чистых срезов сохраняйте прямую линию распиливания и постоянную скорость продвижения.

#### **ПРЕДУПРЕЖДЕНИЕ:**

- Всегда должен использоваться раскалывающий нож, за исключением погружения в середину рабочего изделия.
- Не останавливайте лезвие пилы путем горизонтального давления на диск.

### **Направляющая линейка (Рис. 19)**

Удобная направляющая линейка позволяет Вам выполнять сверхаккуратные прямые срезы. Просто сдвиньте направляющую линейку, прижав её к стороне рабочего изделия и зафиксируйте её в положении с помощью болта спереди основы. Это также делает возможным выполнение повторных одинаковых срезов.

### **Сборка соединения (Рис. 20 и 21)**

(для подсоединения пылесоса)

Если Вы хотите выполнить чистую операцию резки, подсоедините пылесос к Вашему инструменту. Подсоедините соединение к инструменту, используя винт. Затем подсоедините шланг пылесоса к соединению.

## **ОБСЛУЖИВАНИЕ**

#### **ПРЕДУПРЕЖДЕНИЕ:**

Всегда проверяйте, что инструмент выключен и отсоединен перед выполнением любой работы с инструментом.

### **Замена угольных щеток (Рис. 22 и 23)**

Заменяйте угольные щетки, когда они изнашиваются до предельного значка. Обе одинаковые угольные щетки следует заменять одновременно.

Для поддержания безопасности и долговечности изделия, ремонт, уход и регулировка должна проводиться в уполномоченном центре по техобслуживанию Makita.

### **Шум и вибрация модели 5603R**

Типичные A-взвешенные уровни шума составляют  
уровень звукового давления 96 дБ (A).  
уровень звуковой мощности 109 дБ (A).  
– Надевайте защиту для слуха. –

Типичная взвешенное значение квадратного корня  
ускорения составляет не более чем  $2,5 \text{ м/с}^2$ .

### **Шум и вибрация модели 5703R**

Типичные A-взвешенные уровни шума составляют  
уровень звукового давления 98 дБ (A).  
уровень звуковой мощности 111 дБ (A).  
– Надевайте защиту для слуха. –

Типичная взвешенное значение квадратного корня  
ускорения составляет не более чем  $2,5 \text{ м/с}^2$ .

### **Шум и вибрация модели 5903R**

Типичные A-взвешенные уровни шума составляют  
уровень звукового давления 95 дБ (A).  
уровень звуковой мощности 108 дБ (A).  
– Надевайте защиту для слуха. –

Типичная взвешенное значение квадратного корня  
ускорения составляет не более чем  $2,5 \text{ м/с}^2$ .

### **Шум и вибрация модели 5103R**

Типичные A-взвешенные уровни шума составляют  
уровень звукового давления 94 дБ (A).  
уровень звуковой мощности 107 дБ (A).  
– Надевайте защиту для слуха. –

Типичная взвешенное значение квадратного корня  
ускорения составляет не более чем  $2,5 \text{ м/с}^2$ .

### **Шум и вибрация модели 5143R**

Типичные A-взвешенные уровни шума составляют  
уровень звукового давления 94 дБ (A).  
уровень звуковой мощности 107 дБ (A).  
– Надевайте защиту для слуха. –

Типичная взвешенное значение квадратного корня  
ускорения составляет не более чем  $2,5 \text{ м/с}^2$ .

### **ЕС ДЕКЛАРАЦИЯ СООТВЕТСТВИЯ**

Подписавшийся ниже Ясухико Канзаки, уполномоченный корпорацией Makita, 3-11-8 Сумийоси-чо, Анжэ, Айти, 446-8502 Япония декларирует, что это изделие

(Серийный No. серия производства)

изготовленное в корпорации Makita в Японии находится в соответствии со следующими стандартами и документами по стандартизации,

HD400, EN50144, EN55014, EN61000

в соответствии со сборником директив 73/23/EEC, 89/336/EEC and 98/37/EC.

*Ясухико Канзаки* **CE95**



Директор

**MAKITA INTERNATIONAL EUROPE LTD.**

Michigan Drive, Tongwell, Milton Keynes,  
Bucks MK15 8JD, ENGLAND

**Makita Corporation**  
Anjo, Aichi, Japan  
Made in Japan