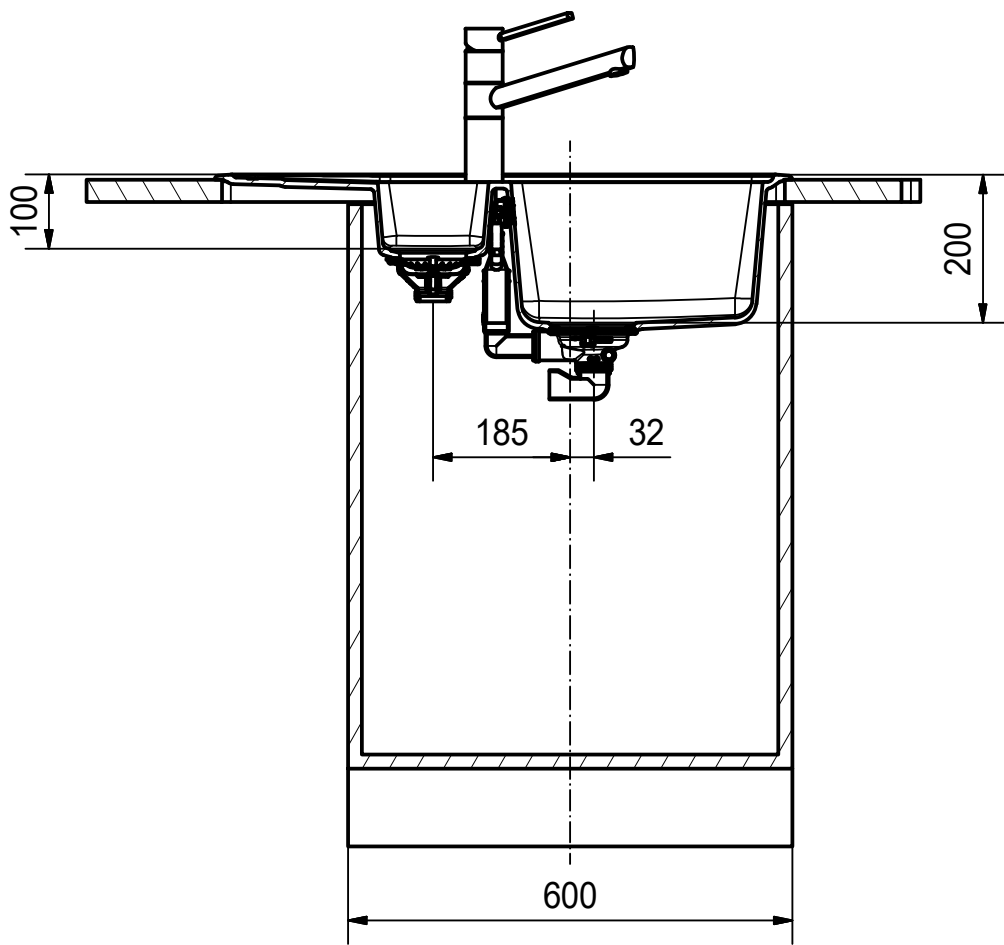


# DF



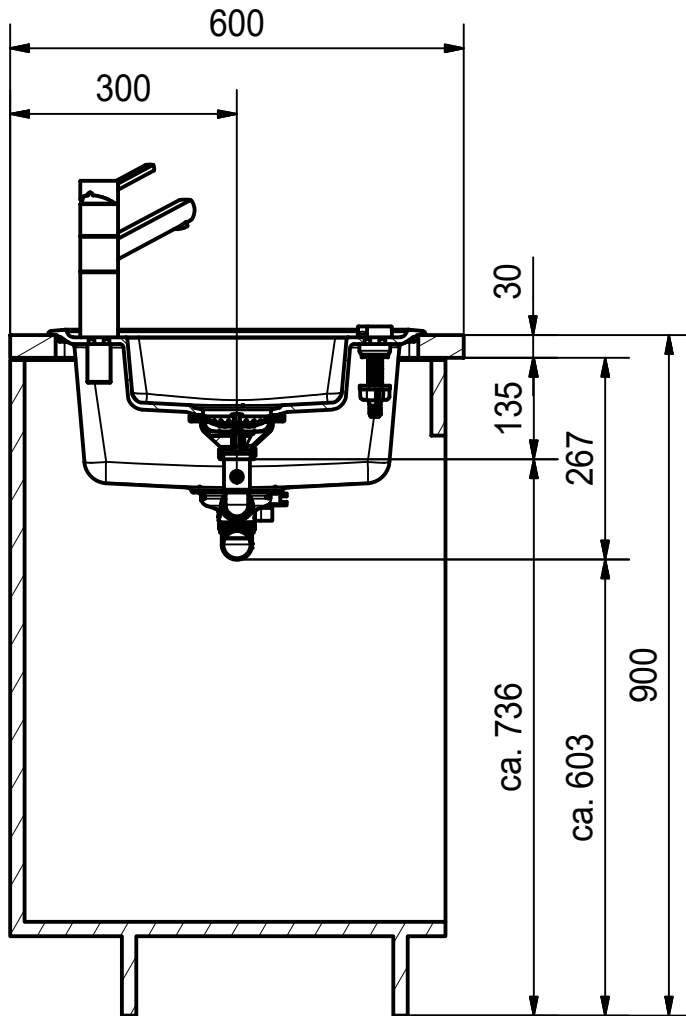
|  |             |          |   |
|--|-------------|----------|---|
| Drawing No.  | 20127517_01 | Revision | - |
| Drawn Date   | 23.11.2017  |          |   |
| <small>These drawings and specifications are the property of Franke Technology and Trademark Ltd. and shall not be reproduced, copied or transferred to any third party without the prior written permission of Franke Technology and Trademark Ltd., Hergiswil, Switzerland</small> |             |          |   |

Franke Küchentechnik AG  
CH-4663 Aarburg  
Phone: +41 62 787 31 31  
Internet: www.franke.com

## BFG 651-78

|       |        |
|-------|--------|
| Sheet | Sheets |
| 1     | 6      |

# DS



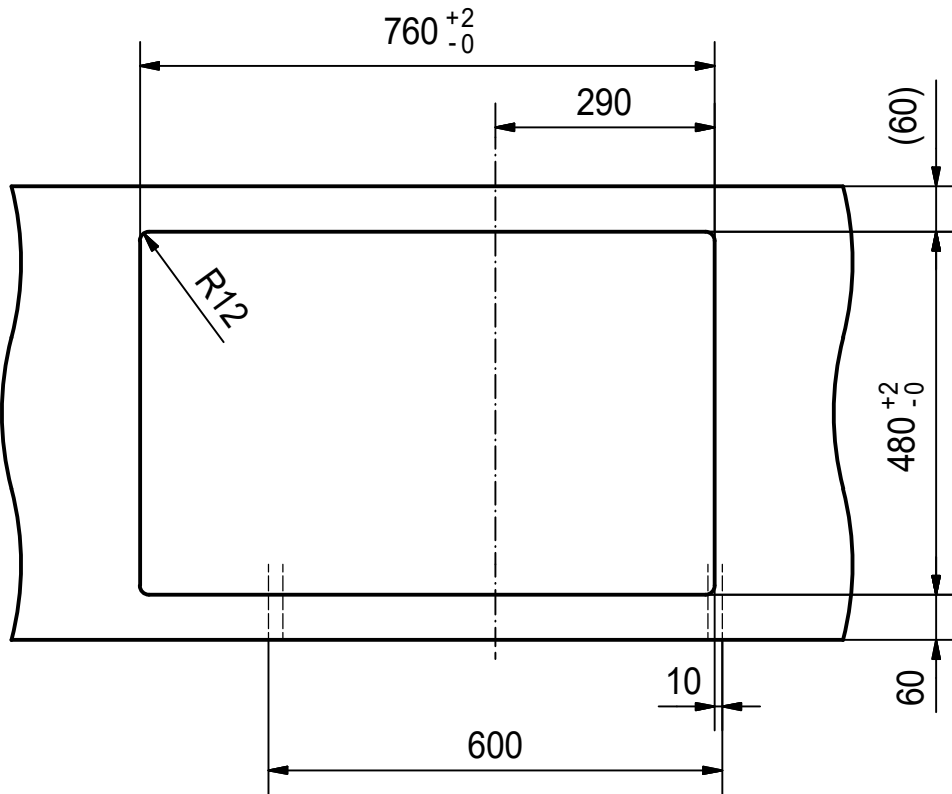
|  |             |          |   |
|--|-------------|----------|---|
| Drawing No.  | 20127517_01 | Revision | - |
| Drawn Date   | 23.11.2017  |          |   |
| <small>These drawings and specifications are the property of Franke Technology and Trademark Ltd. and shall not be reproduced, copied or transferred to any third party without the prior written permission of Franke Technology and Trademark Ltd., Hergiswil, Switzerland</small> |             |          |   |

Franke Küchentechnik AG  
CH-4663 Aarburg  
Phone: +41 62 787 31 31  
Internet : www.franke.com

## BFG 651-78

|       |        |
|-------|--------|
| Sheet | Sheets |
| 2     | 6      |

CO



|             |             |          |   |
|-------------|-------------|----------|---|
| Drawing No. | 20127517_01 | Revision | - |
| Drawn Date  | 23.11.2017  |          |   |

These drawings and specifications are the property of Franke Technology and Trademark Ltd. and shall not be reproduced, copied or transferred to any third party without the prior written permission of Franke Technology and Trademark Ltd., Hergiswil, Switzerland

Franke Küchentechnik AG  
CH-4663 Aarburg  
Phone: +41 62 787 31 31  
Internet : www.franke.com

**BFG 651-78**

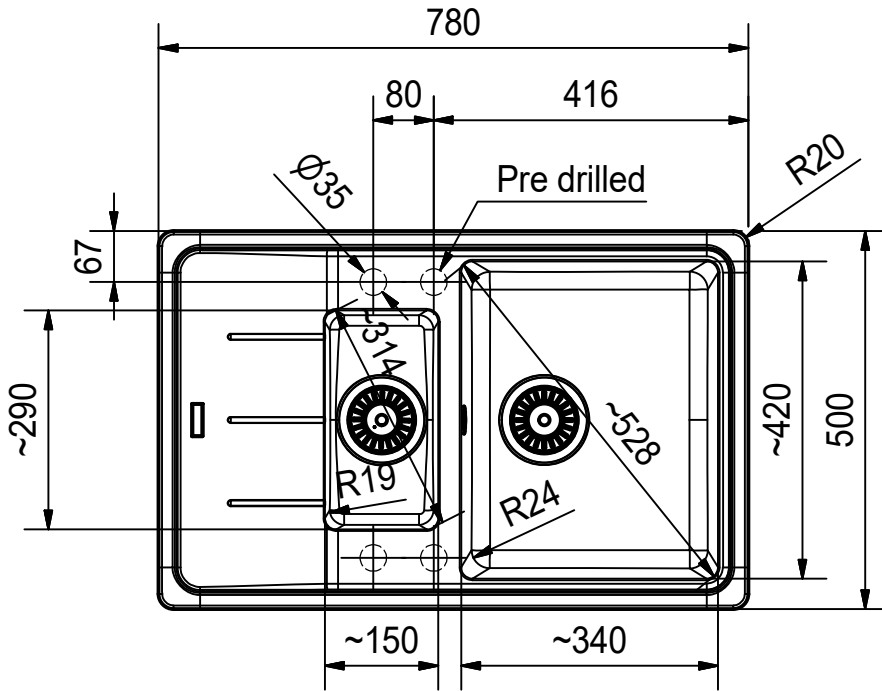
|       |        |
|-------|--------|
| Sheet | Sheets |
| 3     | 6      |

# CNC



|  |             |          |   |  |                   |          |          |
|--|-------------|----------|---|--|-------------------|----------|----------|
| Drawing No.  | 20127517_01 | Revision | - | Franke Küchentechnik AG<br>CH-4663 Aarburg<br>Phone: +41 62 787 31 31<br>Internet : www.franke.com | <b>BFG 651-78</b> | Sheet    | Sheets   |
| Drawn Date   | 23.11.2017  |          |   |  |                   | <b>4</b> | <b>6</b> |
| <small>These drawings and specifications are the property of Franke Technology and Trademark Ltd. and shall not be reproduced, copied or transferred to any third party without the prior written permission of Franke Technology and Trademark Ltd., Hergiswil, Switzerland</small> |             |          |   |  |                   |          |          |

# DT



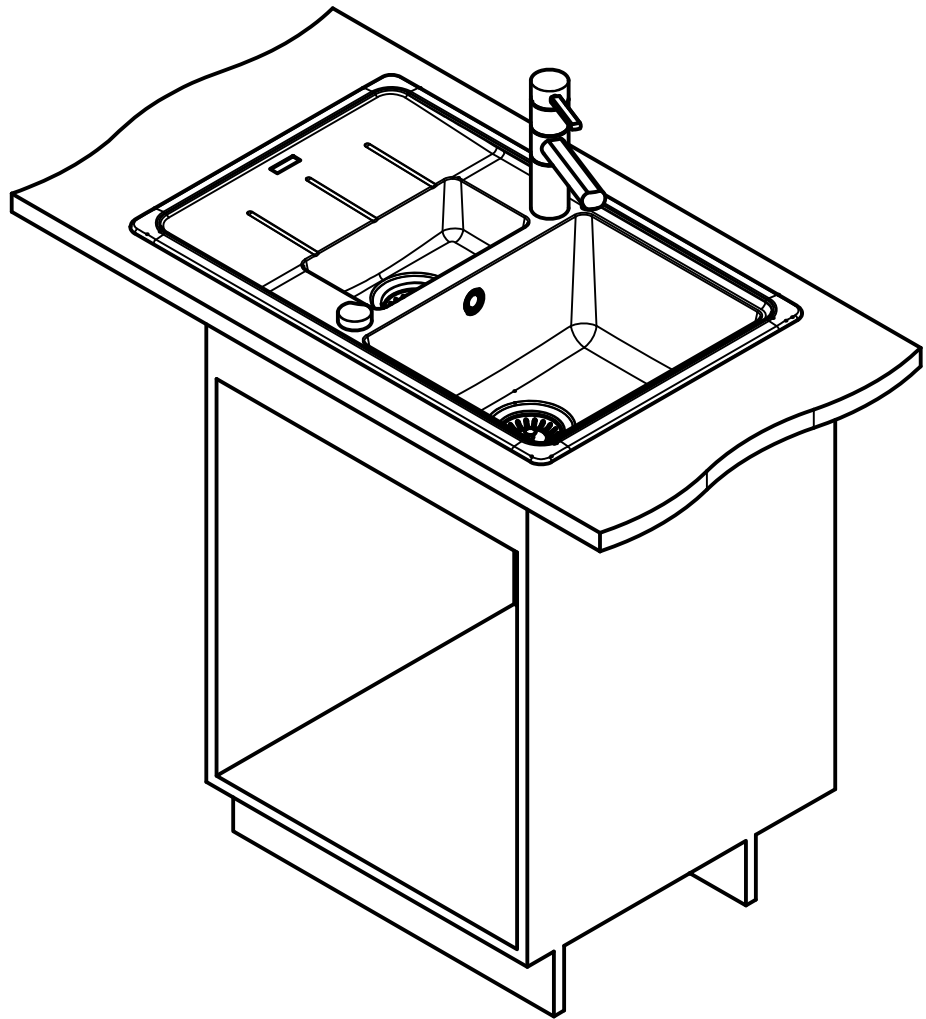
|  |             |          |   |
|--|-------------|----------|---|
| Drawing No.  | 20127517_01 | Revision | - |
| Drawn Date   | 23.11.2017  |          |   |
| <small>These drawings and specifications are the property of Franke Technology and Trademark Ltd. and shall not be reproduced, copied or transferred to any third party without the prior written permission of Franke Technology and Trademark Ltd., Hergiswil, Switzerland</small> |             |          |   |

Franke K chentechnik AG  
CH-4663 Aarburg  
Phone: +41 62 787 31 31  
Internet : www.franke.com

## BFG 651-78

|       |        |
|-------|--------|
| Sheet | Sheets |
| 5     | 6      |

# ISO



|  |             |          |   |
|--|-------------|----------|---|
| Drawing No.  | 20127517_01 | Revision | - |
| Drawn Date   | 23.11.2017  |          |   |
| <small>These drawings and specifications are the property of Franke Technology and Trademark Ltd. and shall not be reproduced, copied or transferred to any third party without the prior written permission of Franke Technology and Trademark Ltd., Hergiswil, Switzerland</small> |             |          |   |

Franke Küchentechnik AG  
CH-4663 Aarburg  
Phone: +41 62 787 31 31  
Internet : www.franke.com

## BFG 651-78

|       |        |
|-------|--------|
| Sheet | Sheets |
| 6     | 6      |