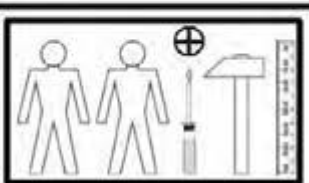
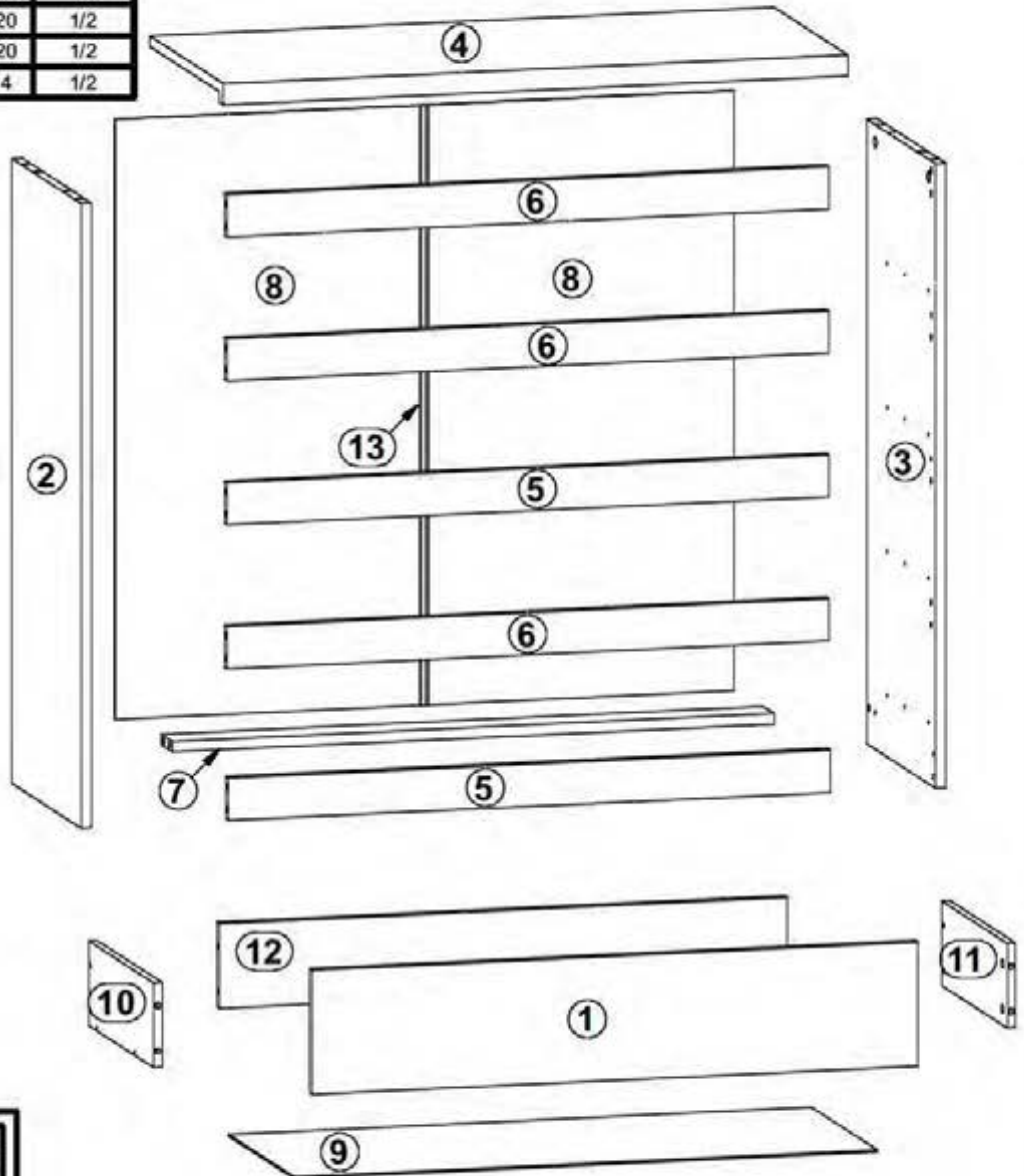
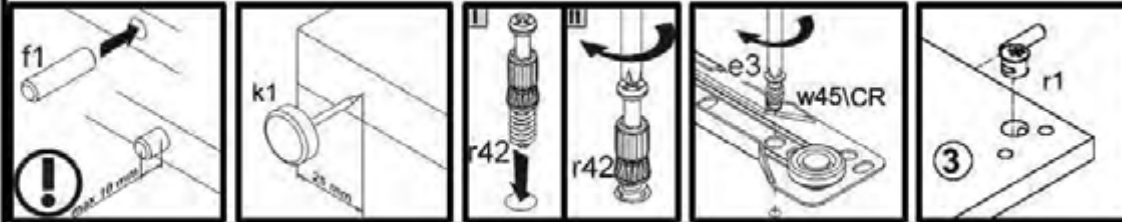
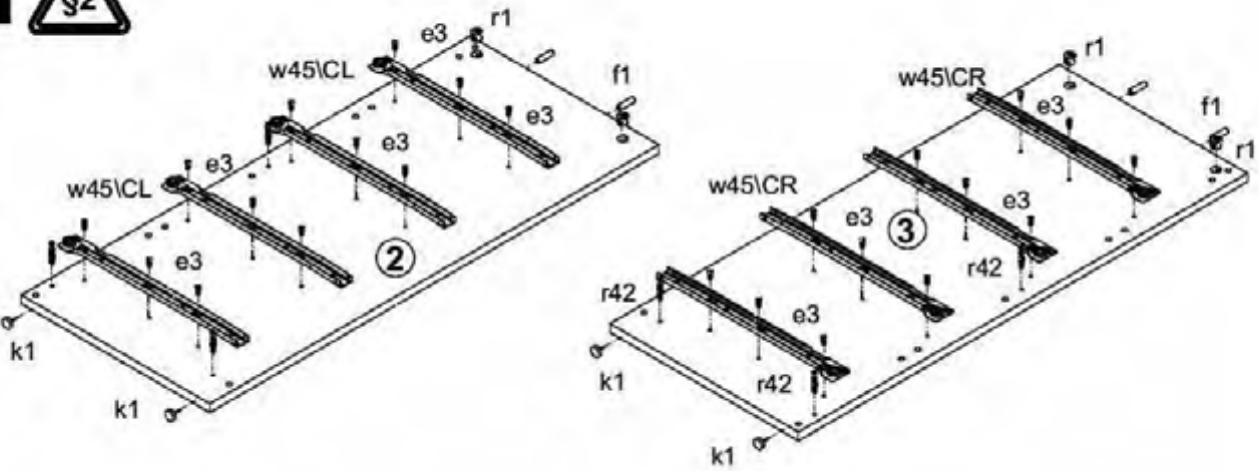


A	B	C	D	
1	S162 0001A	874	176	2 1/2
2	S162 1101	885	371	1/2
3	S162 1102	885	371	1/2
4	S162 2201	902	397	1/2
5	S162 4401	868	60	1/2
6	S162 4403	868	60	1/2
7	S162 4407	868	60	1/2
8	S162 9901	850	446	1/2
9	S162 9970	833	355	1/2
10	BB 511	350	120	1/2
11	BB 512	350	120	1/2
12	ZB 5519	811	120	1/2
13	Lh 820	820	14	1/2

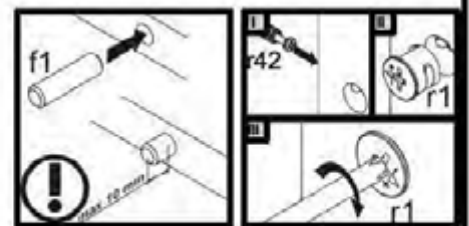
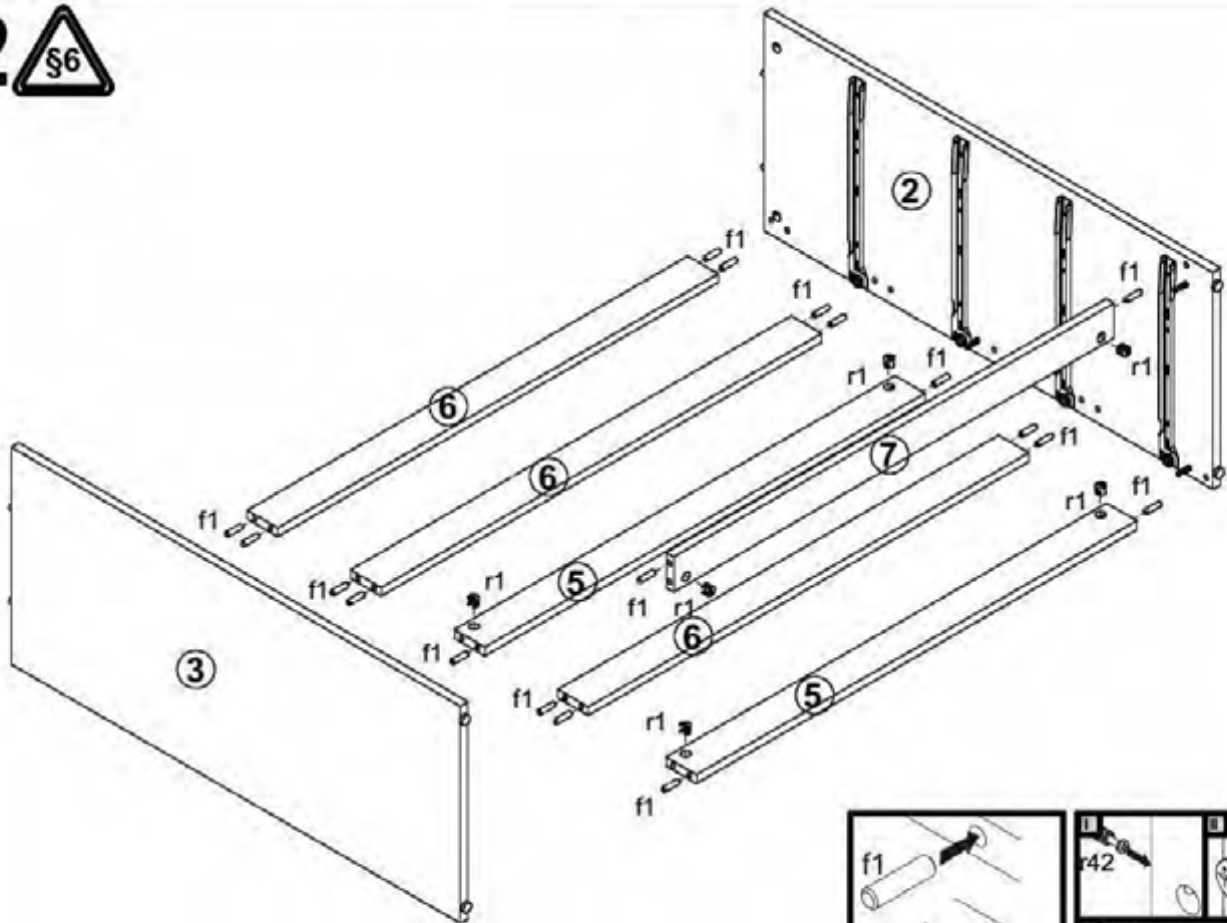


16x Ø5x9 mm e19	24x Ø5x12 mm e3	22x Ø5x12 mm f1	16x Ø5.5x40 mm f25	4x k1	40x l1	4x Ø5.5x16 mm p25	4x Ø5.5x10 mm p35	16x Ø5.5x16 mm p38
26x Ø11.5x12 mm #16 r1	26x r42	4x 350 mm t35	4x 350 mm w45\CL	4x 350 mm w45\CR	4x 350 mm w45\DL	4x 350 mm w45\DR	1x n26\1	1x Ø5.5x16 mm p38

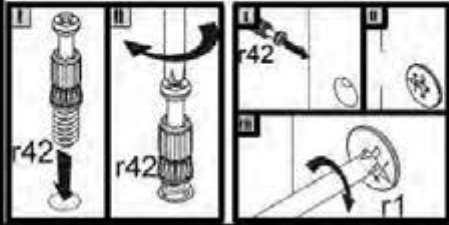
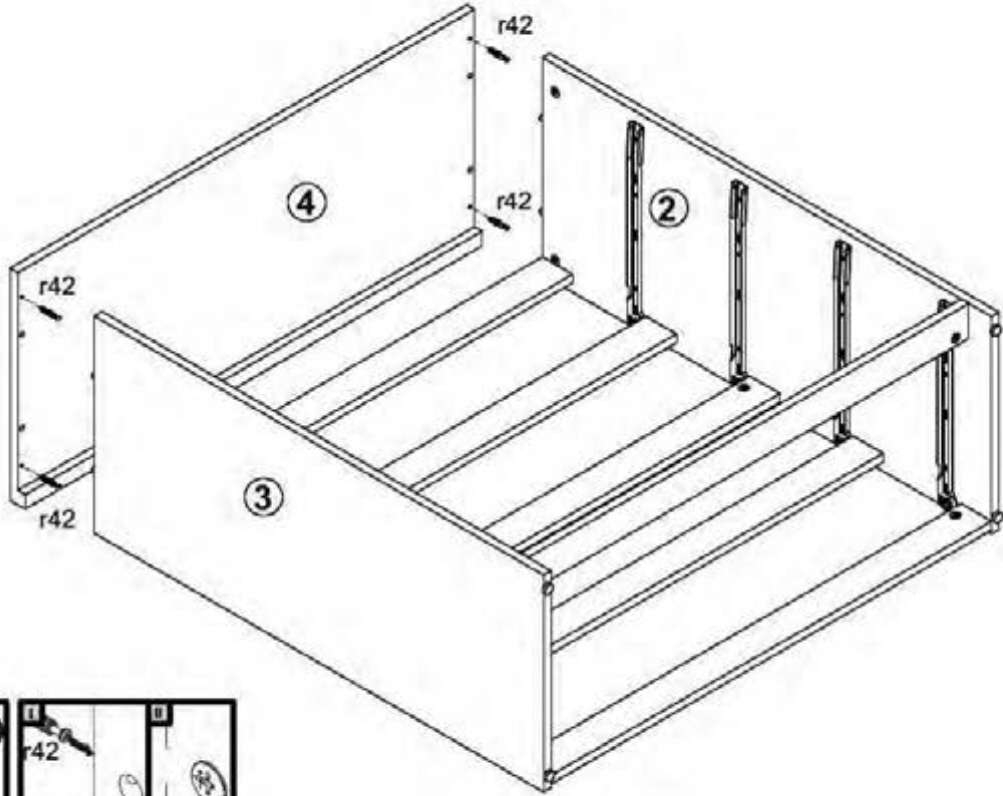
# 1



# 2



# 3



# 4

