

AEG

BMMS18SBL

Original instructions

Originalbetriebsanleitung

Notice originale

Istruzioni originali

Manual original

Manual original

Oorspronkelijke gebruiksaanwijzing

Original brugsanvisning

Original bruksanvisning

Bruksanvisning i original

Alkuperäiset ohjeet

Πρωτότυπο οδηγιών χρήσης

Orijinal işletme talimatı

Původním návodem k používání

Pôvodný návod na použitie

Instrukcja oryginalna

Eredeti használati utasítás

Izvirna navodila

Originalne pogonske upute

Instrukcijām oriģinālvalodā

Originali instrukcija

Algupärane kasutusjuhend

Оригинальное руководство по эксплуатации

Оригинално ръководство за експлоатация

Instrucțiuni de folosire originale

Оригинален прирачник за работа

Оригінал інструкції з експлуатації

التعليمات الأصلية

ENGLISH		Picture section with operating description and functional description	4
DEUTSCH		Bildteil mit Anwendungs- und Funktionsbeschreibungen	4
FRANÇAIS		Partie imagée avec description des applications et des fonctions	4
ITALIANO		Sezione illustrata con descrizione dell'applicazione e delle funzioni	4
ESPAÑOL		Sección de ilustraciones con descripción de aplicación y descripción funcional	4
PORTUGUES		Parte com imagens explicativas contendo descrição operacional e funcional	4
NEDERLANDS		Beeldgedeelte met toepassings- en functiebeschrijvingen	4
DANSK		Billedel med anvendelses- og funktionsbeskrivelser	4
NORSK		Billedel med bruks- og funksjonsbeskrivelse	4
SVENSKA		Bilddel med användnings- och funktionsbeskrivning	4
SUOMI		Kuvasivut käyttö- ja toimintakuvaukset	4
ΕΛΛΗΝΙΚΑ		Τμήμα εικόνων με περιγραφές χρήσης και λειτουργίας	4
TÜRKÇE		Resim bölümü Uygulama ve fonksiyon açıklamaları ile birlikte	4
ČESKY		Obrazová část s popisem aplikací a funkcí	4
SLOVENSKY		Obrazová časť s popisom aplikácií a funkcií	4
POLSKI		Część rysunkowa z opisami zastosowania i działania	4
MAGYAR		Képes részalkalmazási- és működési leírásokkal	4
SLOVENSKO		Del slike z opisom uporabe in funkcij	4
HRVATSKI		Dio sa slikama opisima primjene i funkcija	4
LATVISKI		Attēla daļa ar lietošanas un funkciju aprakstiem	4
LIETUVIŠKAI		Paveikslėlio dalis su vartojimo instrukcija ir funkcijų aprašymais	4
EESTI		Pildiosa kasutusjuhendi ja funktsioonide kirjeldusega	4
РУССКИЙ		Раздел иллюстраций с описанием эксплуатации и функций	4
БЪЛГАРСКИ		Част със снимки с описания за приложение и функции	4
ROMÂNIA		Secvența de imagine cu descrierea utilizării și a funcționării	4
МАКЕДОНСКИ		Дел со сликисо описи за употреба и функционирање	4
УКРАЇНСЬКА		Частина з зображеннями з описом робіт та функцій	4
عربي		قسم الصور يوجد به الوصف التشغيلي والوظيفي	4

Text section with Technical Data, important Safety and Working Hints and description of Symbols	20
Textteil mit Technischen Daten, wichtigen Sicherheits- und Arbeitshinweisen und Erklärung der Symbole.	24
Partie textuelle avec les données techniques, les consignes importantes de sécurité et de travail ainsi que l'explication des pictogrammes.	28
Sezione testo con dati tecnici, importanti informazioni sulla sicurezza e sull'utilizzo, spiegazione dei simboli.	32
Sección de texto con datos técnicos, indicaciones importantes de seguridad y trabajo y explicación de los símbolos.	36
Parte com texto explicativo contendo Especificações técnicas, Avisos de segurança e de operação e a Descrição dos símbolos.	40
Tekstgedeelte met technische gegevens, belangrijke veiligheids- en arbeidsinstructies en verklaring van de symbolen.	44
Tekstdel med tekniske data, vigtige sikkerheds- og arbejdsanvisninger og symbolforklaring.	48
Tekstdel med tekniske data, viktige sikkerhets- og arbeidsinstruksjoner og forklaring av symbolene.	52
Textdel med tekniska informationer, viktiga säkerhets- och användningsinstruktioner samt symbolförklaringar.	56
Tekstisivut: tekniset tiedot, tärkeät turvallisuus- ja työskentelyohjeet sekä merkkien selitykset.	60
Τμήμα κειμένου με τεχνικά χαρακτηριστικά, σημαντικές υποδείξεις ασφαλείας και εργασίας και εξήγηση των συμβόλων.	64
Teknik bilgileri, önemli güvenlik ve çalışma açıklamalarını ve de sembollerin açıklamalarını içeren metin bölümü.	68
Textová část s technickými daty, důležitými bezpečnostními a pracovními pokyny a s vysvětlivkami symbolů	72
Textová část s technickými datami, důležitými bezpečnostními a pracovními pokyny a s vysvětlivkami symbolov	76
Część opisowa z danymi technicznymi, ważnymi wskazówkami dotyczącymi bezpieczeństwa i pracy oraz objaśnieniami symboli.	80
Szöveges rész műszaki adatokkal, fontos biztonsági- és munkavégzési útmutatásokkal, valamint a szimbólumok magyarázata.	84
Del besedila s tehničnimi podatki, pomembnimi varnostnimi opozorili in delovnimi navodili in pojasnili simbolov.	88
Dio štiva sa tehničkim podacima, važnim sigurnosnim i radnim uputama i objašnjenjem simbola.	92
Teksta daļa ar tehnikajiem parametriem, svarīgiem drošības un darbības norādījumiem, simbolu atšifrējumiem.	96
Teksto dalis su techniniais duomenimis, svarbiomis saugumo ir darbo instrukcijomis bei simbolių paaiškinimais.	100
Tekstiosa tehniliste näitajate, oluliste ohutus- ja tööjuhenditega ning sümbolite kirjeldustega.	104
Текстовый раздел, включающий технические данные, важные рекомендации по безопасности и эксплуатации, а также описание используемых символов.	108
Част с текст с технически данни, важни указания за безопасност и работа и разяснение на символите.	112
Porțiune de text cu date tehnice, indicații importante privind siguranța și modul de lucru și descrierea simbolurilor.	116
Текстуален дел со Технички карактеристики, важни безбедносни и работни упатства и објаснување на симболите.	120
Текстова частина з техничними даними, важливими вказівками з техніки безпеки та експлуатації і поясненням символів.	124
القسم النصي المزود بالبيانات الفنية والنصائح الهامة للسلامة والعمل ووصف الرموز	131
	3

18



13



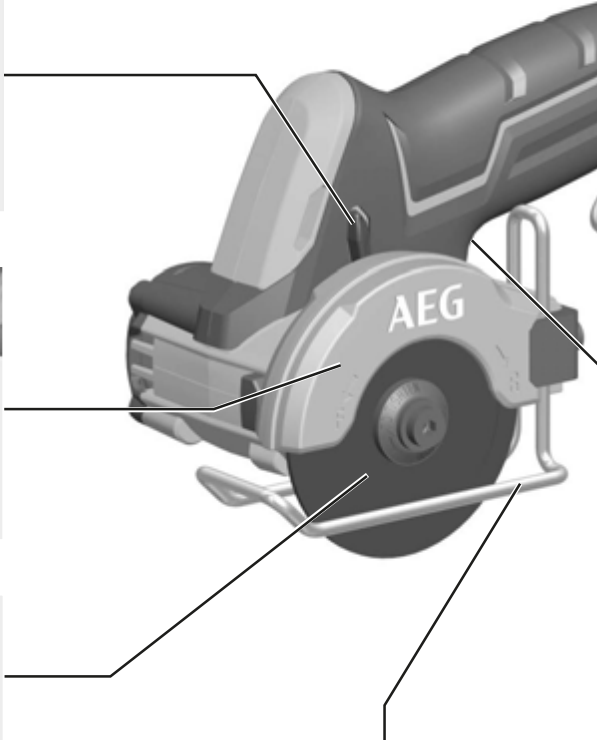
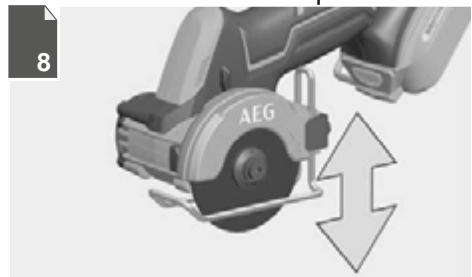
12



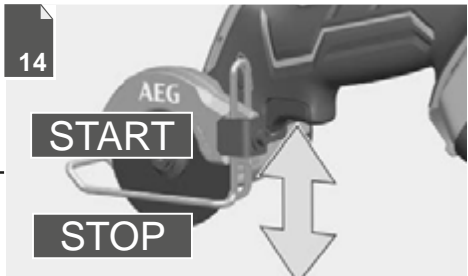
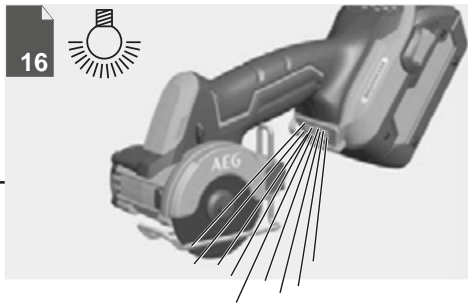
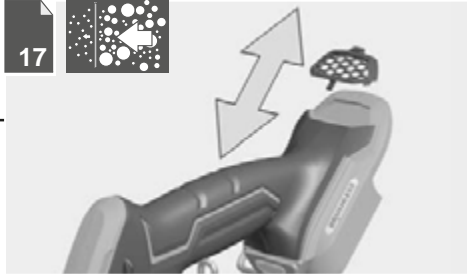
10



8



4





Remove the battery pack before starting any work on the machine.

Vor allen Arbeiten an der Maschine den Wechselakku herausnehmen

Avant tous travaux sur la machine retirer l'accu interchangeable.

Prima di iniziare togliere la batteria dalla macchina.

Retire la batería antes de comenzar cualquier trabajo en la máquina.

Antes de efectuar cualquier intervención na máquina retirar o bloco acumulador.

Voor alle werkzaamheden aan de machine de akku verwijderen.

Ved arbejde inden i maskinen, bør batteriet tages ud.

Ta ut vekselbatteriet før du arbeider på maskinen

Drag ur batteripaket innan arbete utföres på maskinen.

Tarkista pistotulppa ja verkkojohto mahdollisilta vaurioilta. Viat saa korjata vain alan erikoismies.

Πριν από κάθε εργασία στη μηχανή αφαιρέστε την ανταλλακτική μπαταρία.

Alečin kandinde bir çalışma yapmadan önce kartuş aküyü çıkarın.

Před zahájením veškerých prací na vrtacím šroubováku vyjmout výměnný akumulátor.

Pred každou pracou na stroji výmenný akumulátor vytriahnuť.

Przed przystąpieniem do jakichkolwiek prac na elektronarzędziu należy wyjąć wkładkę akumulatorową.

Karbantartás, javítás, tisztítás, stb. előtt az akkumulátort ki kell venni a készülékből.

Pred deli na stroju izvlécite izmenljivi akumulator.

Prije svih radova na stroju izvaditi bateriju za zamjenu.

Pirms mašīnai veikt jebkāda veida apkopes darbus, ir jāizņem arī akumulators.

Prieš atlikdami bet kokius darbus įrenginyje, išimkite keičiamą akumuliatorių.

Enne kõiki töid masina kallal võtke vahetatav aku välja.

Виньте аккумулятор из машины перед проведением с ней каких-либо манипуляций.

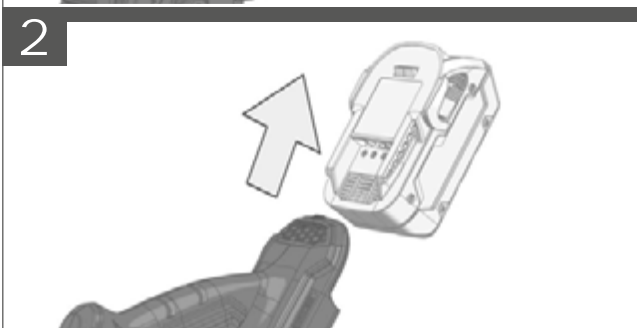
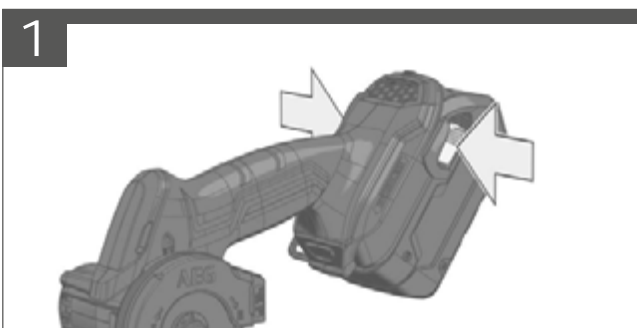
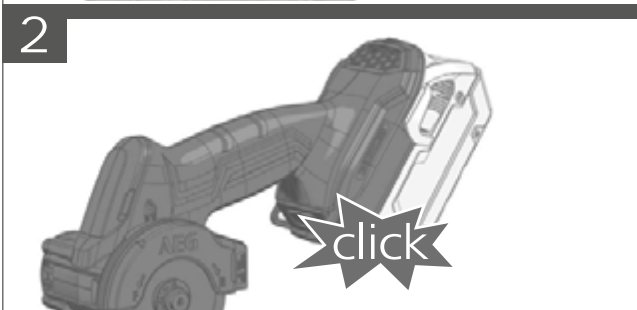
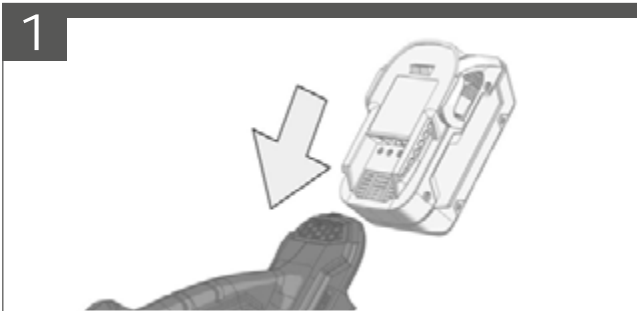
Преди започване на каквито е да е работи по машината извадете акумулатора.

Scoateți acumulatorul înainte de a începe orice intervenție pe mașină.

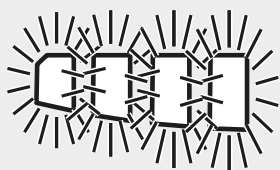
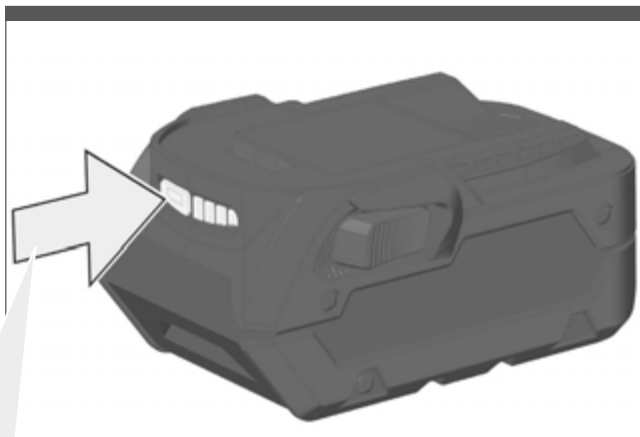
Отстранете ја батеријата пред да започнете да ја користите машината.

Перед будь-якими роботами на машині віньняти змінну акумуляторну батарею.

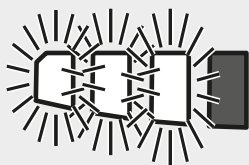
قم بإزالة حزمة البطارية قبل البدء في أي أعمال على الجهاز.



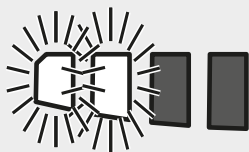
6



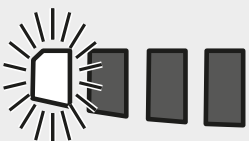
75-100 %



50-75 %

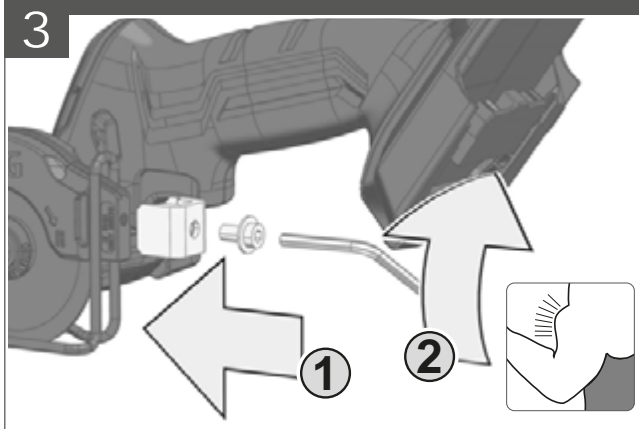
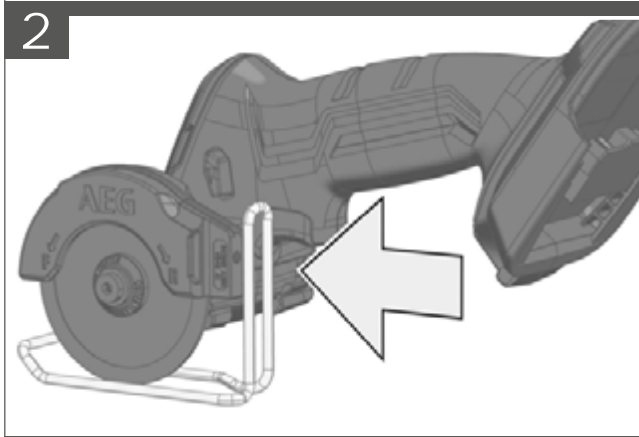
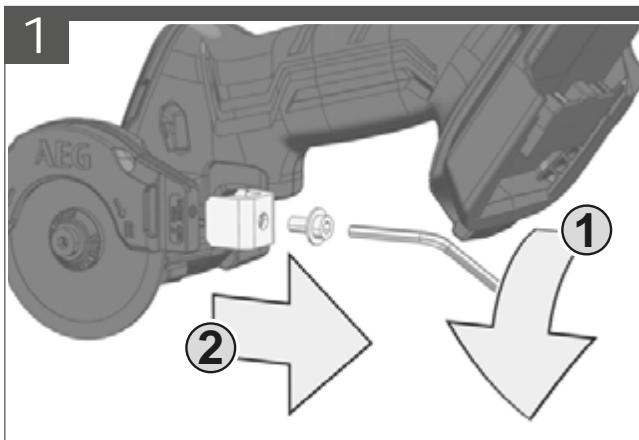
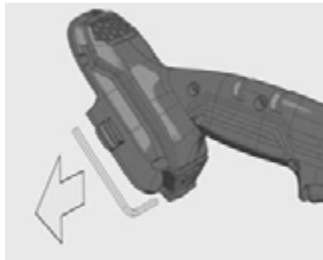


25-50 %



0-25 %





Adjust the cutting depth to the thickness of the workpiece.

Passen Sie die Schnitttiefe an die Dicke des Werkstücks an.

Adapter la profondeur de coupe à l'épaisseur de la pièce.

Adattare la profondità di taglio allo spessore del pezzo in lavorazione.

Adaptar la profundidad de corte al grosor de la pieza de trabajo.

Adaptar a profundidade de corte à espessura da peça a ser trabalhada.

Pas de snijdiepte aan de dikte van het werkstuk aan.

Tilpas skæredybden efter arbejdsstykkets tykkelse.

Tilpass skjæredybden til tykkelsen på arbeidsstykket.

Anpassa sågdjupet till arbetsstyckets tjocklek.

Aseta leikkaussyvyys työkalpaleen paksuuden mukaan.

Προσαρμόστε το βάθος κοπής στο πάχος του υπό κατεργασία τεμαχίου.

Kesme derinliğini iş parçasının kalınlığına göre ayarlayın.

Prizpůsobte hloubku řezu tloušťce obrobku.

Hrúbku rezu prispôsobte hrúbke obrobka.

Głębokość cięcia należy dopasować do grubości obrabianego przedmiotu.

A vágási mélységet a munkadarab vastagságának megfelelően kell megválasztani.

Prosimo, da globino reza prilagodite debelini obdelovanca.

Prilagodite dubinu rezanja debljini izratka.

Izvēlieties zāiņķanas dziļumu, kas atbilst zāiņķamā priekšmeta biezumam.

Pļovimo gylą tinkamai nustatykite pagal ruošinio storą.

Kohandage lõikesügavus tooriku paksusega.

Устанавливайте глубину реза в соответствии с толщиной детали.

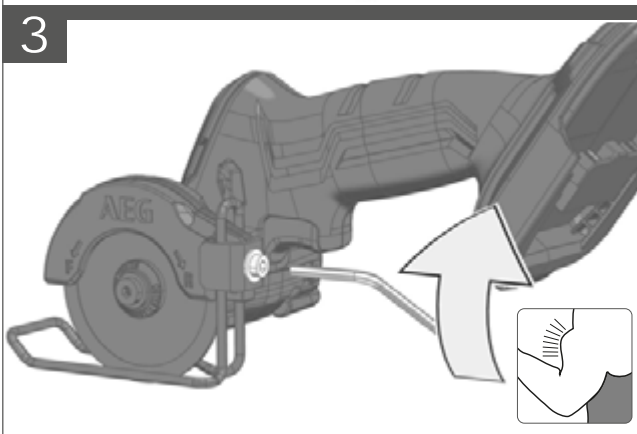
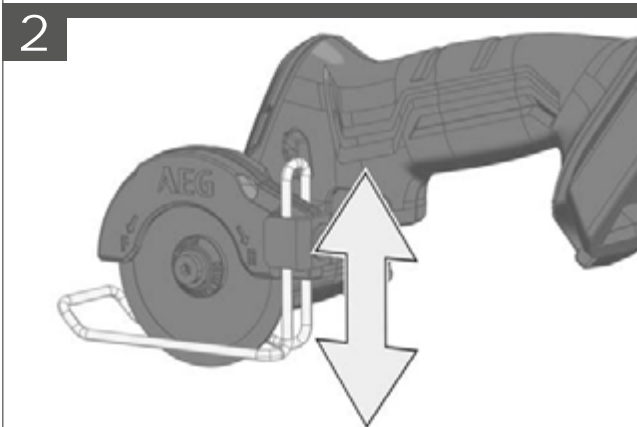
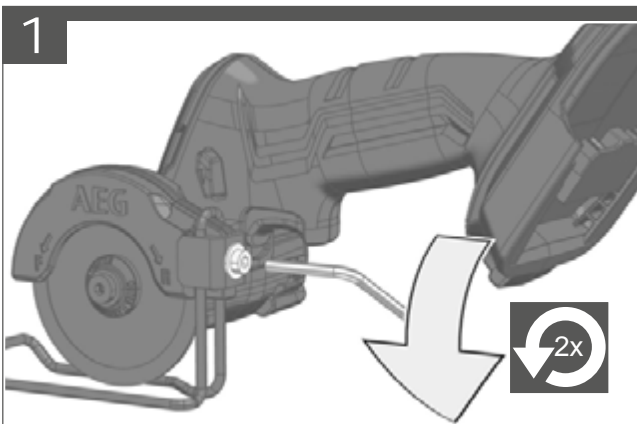
Винаги настройвайте дълбочината на рязане съобразно дебелината на стената на обработвания детайл.

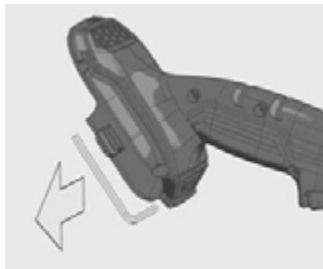
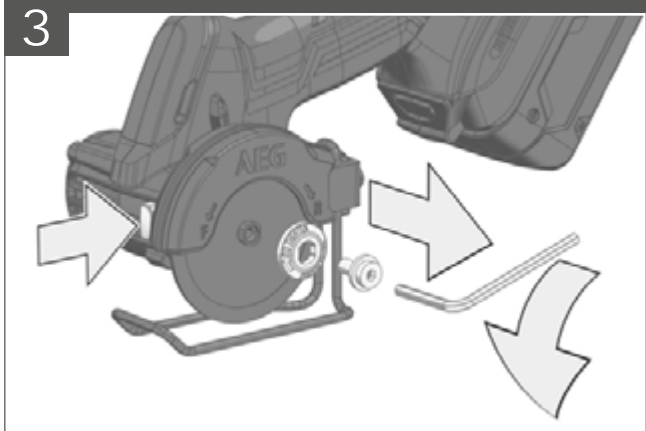
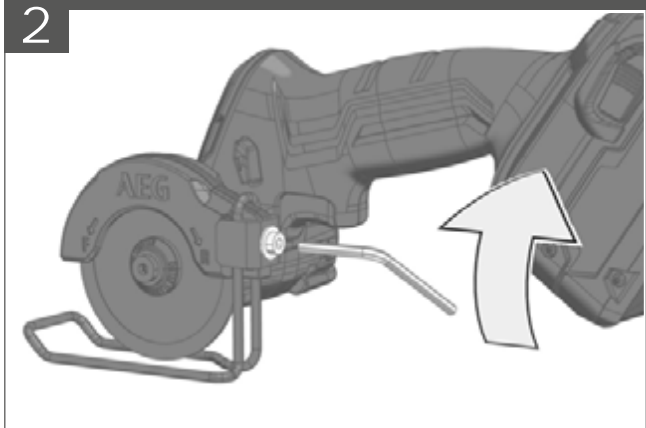
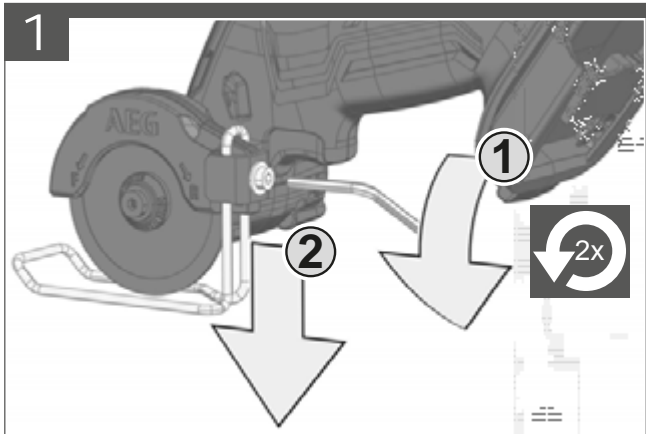
Adaptati adâncimea de tăiere la grosimea piesei de lucru.

Прилагодете ја длабочината на засекот во зависност од густината на обработуваното парче.

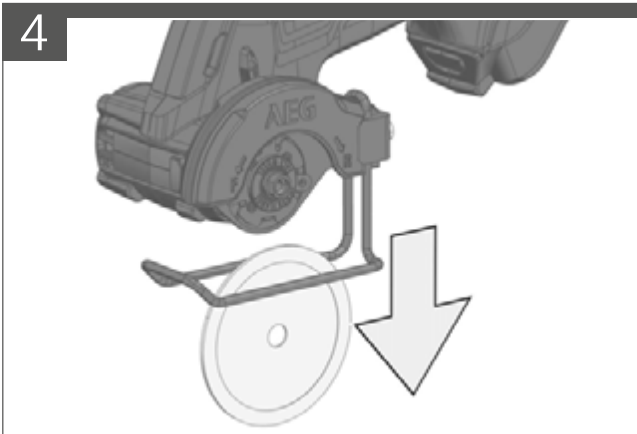
Глибина різання повинна відповідати товщині заготовки.

اضبط عمق القطع وفقاً لسُمك قطعة العمل.

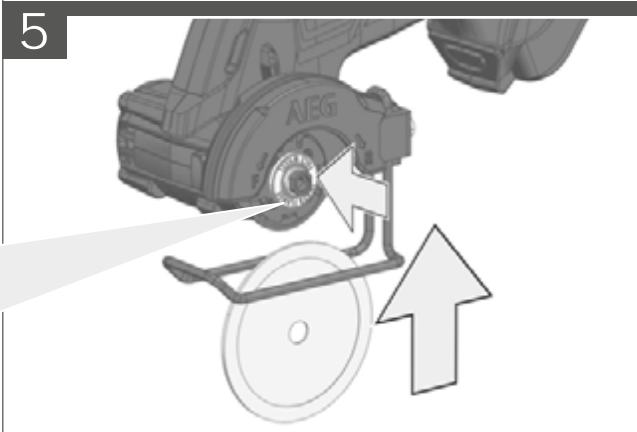




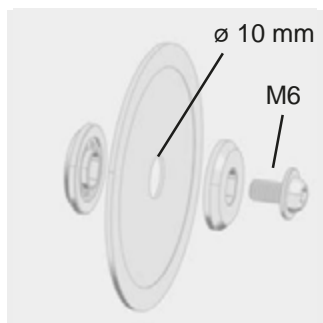
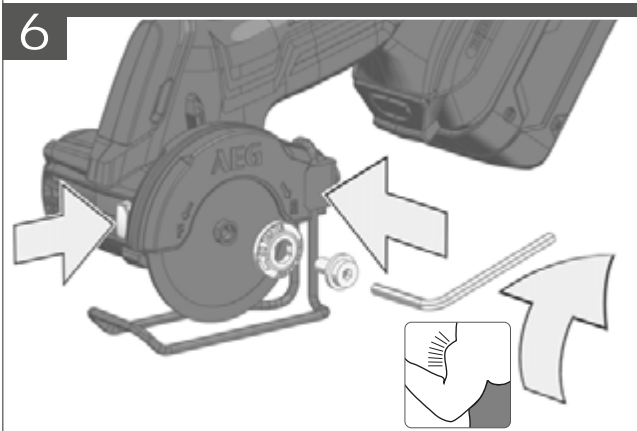
4



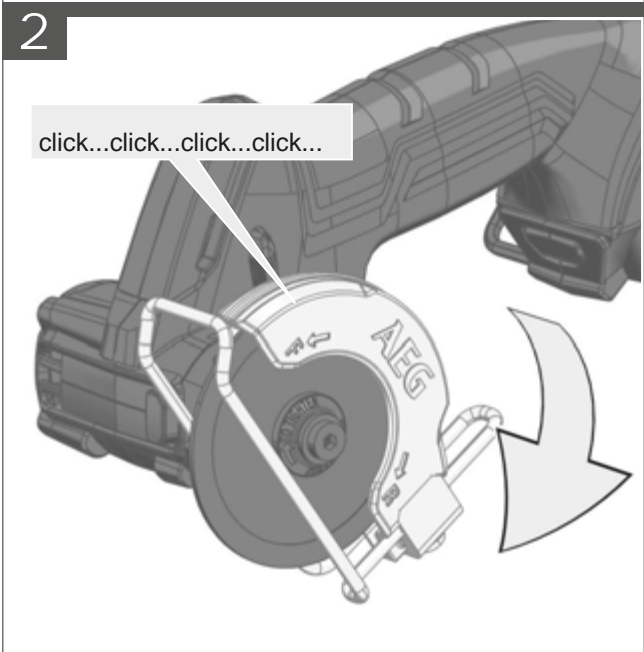
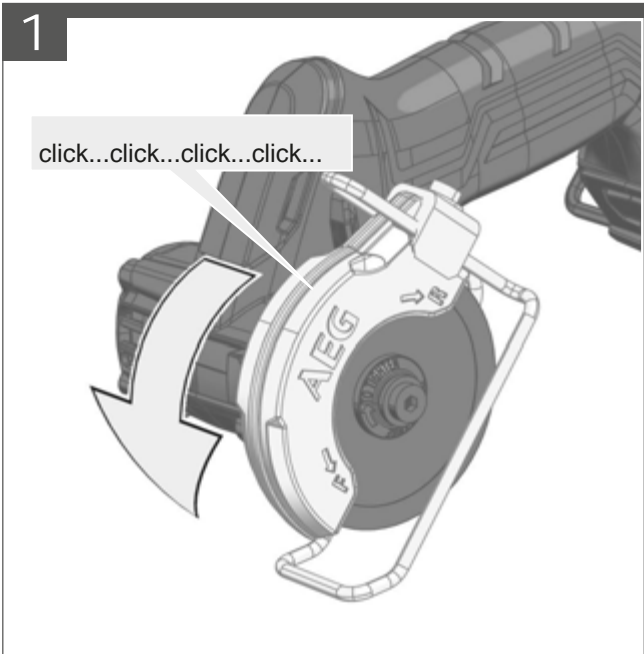
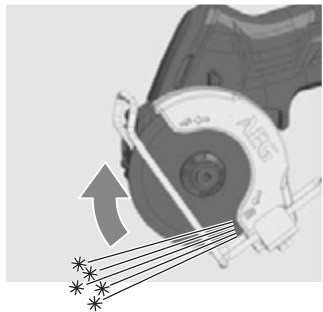
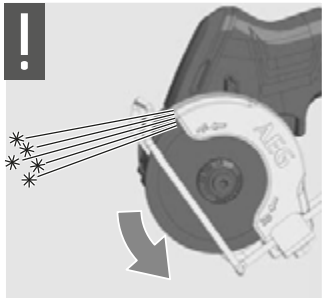
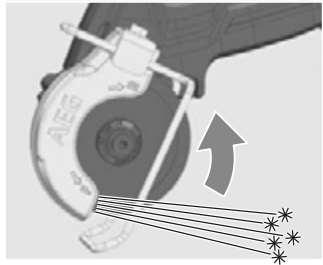
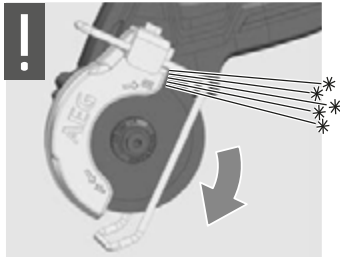
5

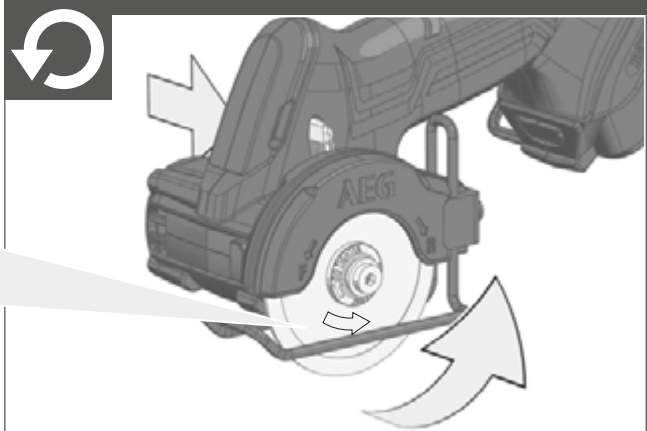
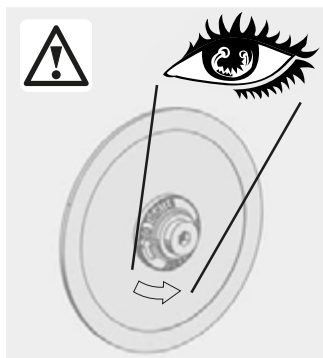
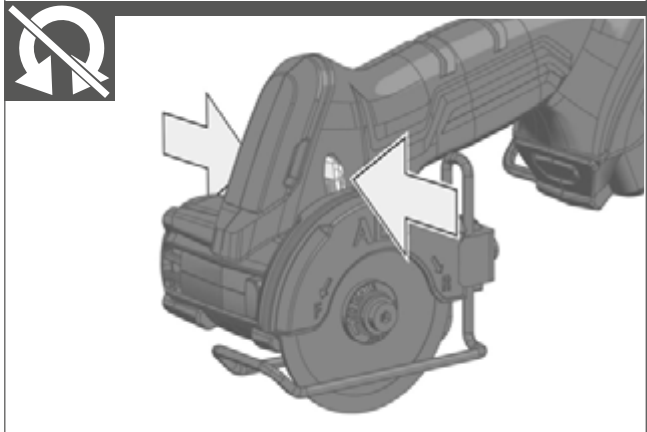
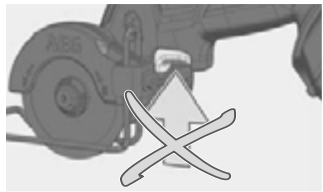
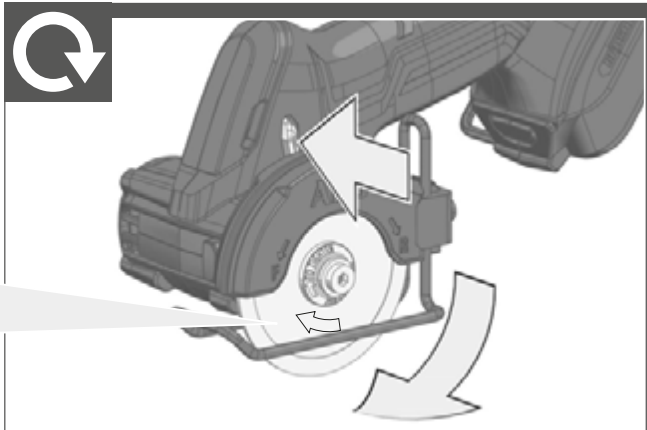
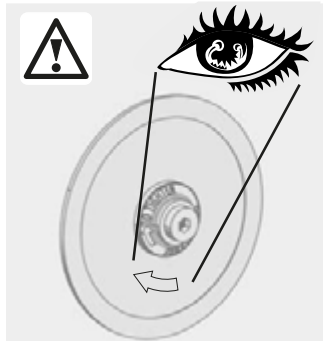


6



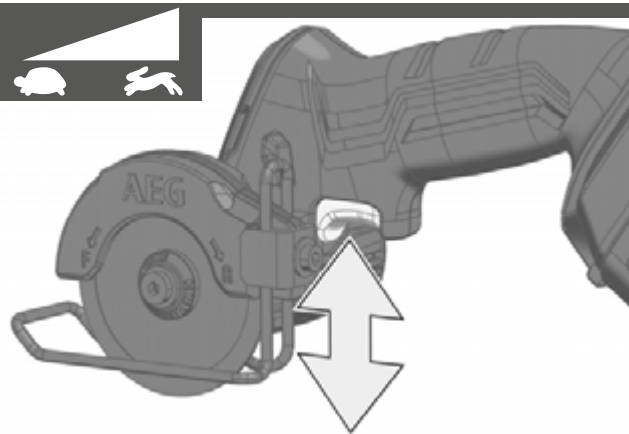
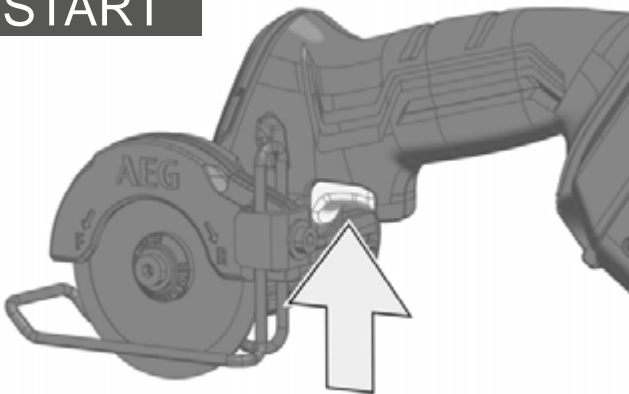
11



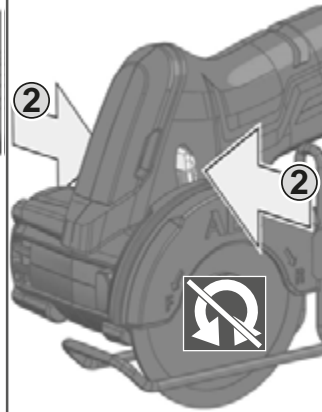
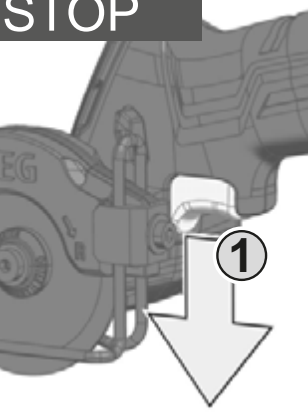


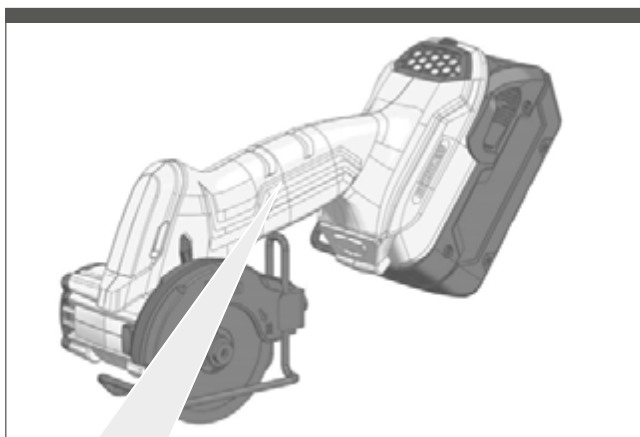


START



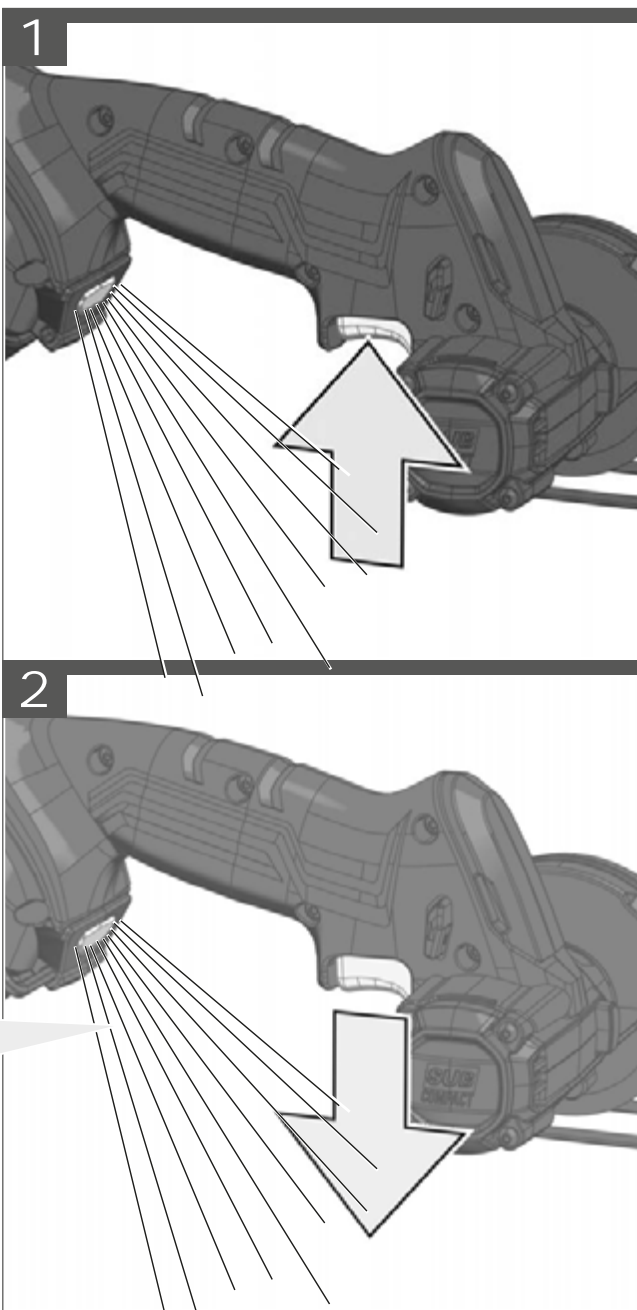
STOP

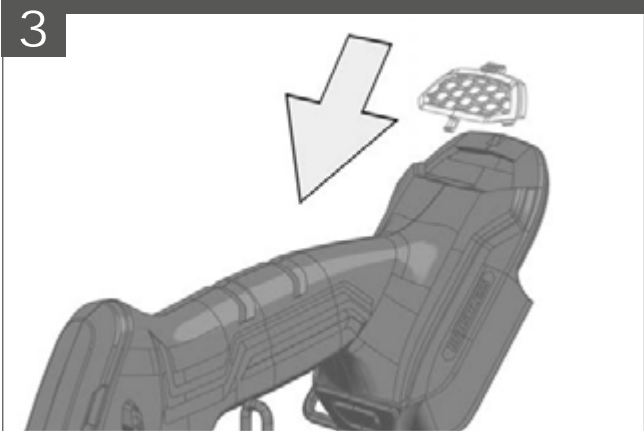
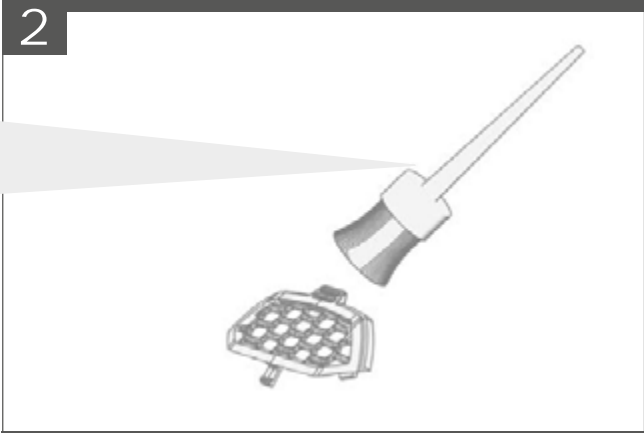
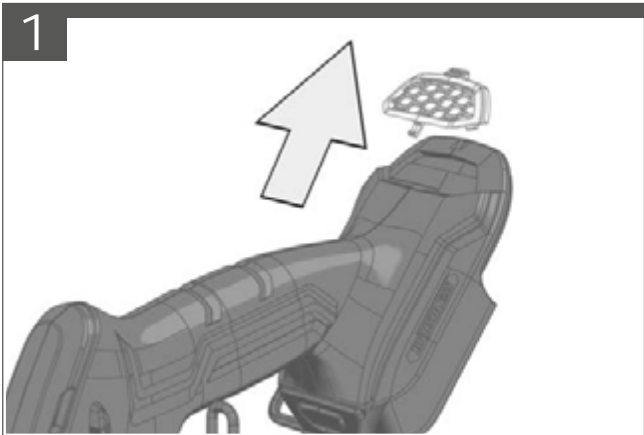
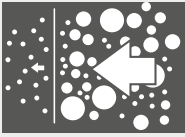




Insulated gripping surface
 Isolierte Grifffläche
 Surface de prise isolée
 Superficie di presa isolata
 Superficie de agarre con aislamiento
 Superfície de pega isolada
 Geïsoleerde handgrepen
 Isolerede gribeflader
 Isolert gripeflate
 Isolerad greppyta
 Eristetty tarttumapinta
 Μονωμένη επιφάνεια λαβής
 İzolasyonlu tutma yüzeyi
 Izolovaná uchovací plocha
 Izolovaná úchopná plocha
 Izolowana powierzchnia uchwytu

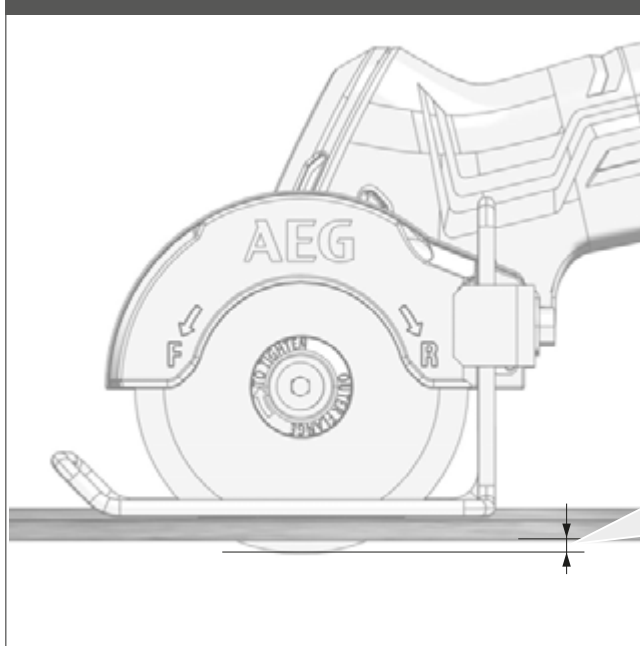
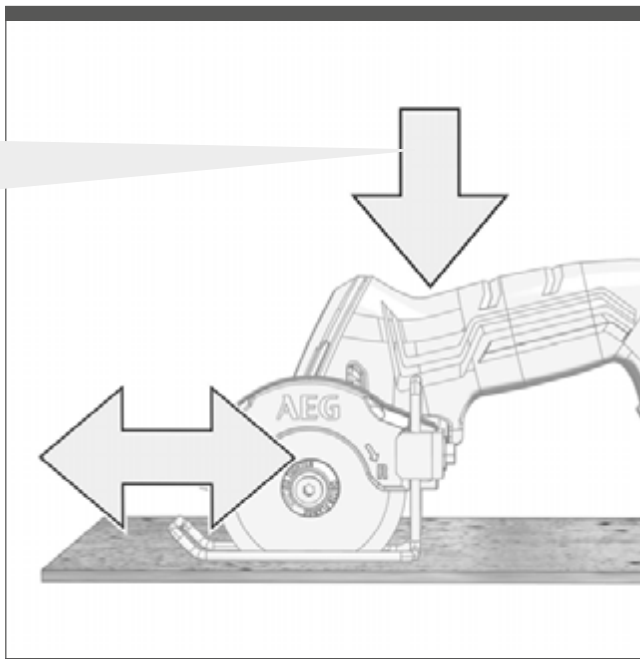
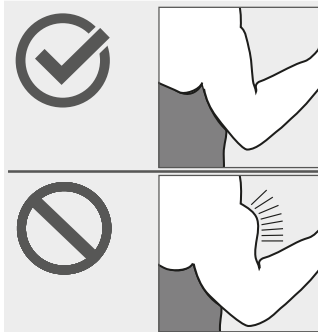
Szigetelt fogófelület
 Izolirana prijemalna površina
 Izolirana površina za držanje
 Izolēta satveršanas virsma
 Izoliuotas rankenos paviršius
 Isoleeritud pideme piirkond
 Изолированная поверхность ручки
 Изолирана повърхност за хващане
 Suprafață de prindere izolată
 Изолирана површина на дршката
 Изольована поверхня ручки
 قلو زرع ضرب قلملا ءحاسم



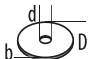


Accessory
Zubehör
Accessoire
Accessorio
Accessorio
Acessório
Toebehoren
Tilbehør
Tilbehør
Tillbehör
Lisälaite
Εξαρτήματα
Aksesuar
Příslušenství
Príslušenstvo
Element wyposażenia dodatkowego
Tartozék
Oprema
Pribor
Papildus aprīkojums
Priedas
Tarvikud
Дополнитель
Аксесоар
Accessorii
Комплектуючі
ق ح ل م ل ا

i **TIP** 



Adjust the cutting depth to the thickness of the workpiece.
Passen Sie die Schnitttiefe an die Dicke des Werkstücks an.
Adapter la profondeur de coupe à l'épaisseur de la pièce.
Adattare la profondità di taglio allo spessore del pezzo in lavorazione.
Adaptar la profundidad de corte al grosor de la pieza de trabajo.
Adaptar a profundidade de corte à espessura da peça a ser trabalhada.
Pas de zaagdiepte aan de dikte van het werkstuk aan.
Tilpas skæredybden efter arbejdsemnets tykkelse.
Tilpass skjæredybden til tykkelsen på arbeidsstykket.
Anpassa sågdjupet till arbetsstyckets tjocklek.
Aseta leikkaussyvyys työkappaleen paksuuden mukaan.
Προσαρμόστε το βάθος κοπής στο πάχος του υπό καταργασία τεμαχίου.
Kesme derinliğini iş parçasının kalınlığına göre ayarlayın.
Přizpůsobte hloubku řezu tloušťce obrobku.
Hrúbku rezu prispôsobte hrúbke obrobka.
Głębokość cięcia należy dopasować do grubości obrabianego przedmiotu.
A vágási mélységet a munkadarab vastagságának megfelelően kell megválasztani.
Prosim, da globino reza prilagodite debelini obdelovanca.
Prilagodite dubinu rezanja debljini izratka.
Izvēlieties zāiņšanas dziļumu, kas atbilst zāiņjamā priekšmeta biezumam.
Pjovimo gylą tinkamai nustatykite pagal ruošinio storą.
Kohandage lõikesügavus tooriku paksusega.
Устанавливайте глубину реза в соответствии с толщиной детали.
Винаги настройвайте дълбочината на рязане съобразно дебелината на стената на обработвания детайл.
Adaptați adâncimea de tăiere la grosimea piesei de lucru.
Прилагодете ја длабочината на засекот во зависност од густината на обработуваното парче.
Глибина різання повинна відповідати товщині заготовки.
اضبط عمق القطع وفقاً لسمك قطعة العمل.

Production code.....	4774 12 01...
	...000001-999999
Rated speed.....	20000 min ⁻¹
	
D=Cutting disk diameter max.	76 mm
d=hole diameter.....	10 mm
b=Cutting disk thickness min. / max.....	1 mm / 2.8 mm
Cutting depth max.	16.3 mm
Battery voltage.....	18 V
Weight according EPTA-Procedure 01/2014 (2.0...6.0 Ah) ...	1.2...1.7 kg
Recommended ambient operating temperature.....	-18...+50 °C
Recommended battery types.....	L1860R, L1850R, L1840R, L1830R, L1825R, L1820R, L1815R, L1820S
Recommended charger.....	BL1218, BLK1218; AL1218G; AL18G

Noise/vibration information (cutting concrete)

Measured values determined according to EN 60 745.

Typically, the A-weighted noise levels of the tool are:

Sound power level (Uncertainty K=3dB(A)).....	102.0 dB (A)
Sound pressure level (Uncertainty K=3dB(A)).....	91.0 dB (A)

Wear ear protectors!

Total vibration values (vector sum in the three axes) determined according to EN 60745.

Vibration emission value a _{h,sc}	4.2 m/s ²
Uncertainty K.....	1.5 m/s ²

WARNING

The vibration emission level given in this information sheet has been measured in accordance with a standardised test given in EN 60745 and may be used to compare one tool with another. It may be used for a preliminary assessment of exposure.

The declared vibration emission level represents the main applications of the tool. However if the tool is used for different applications, with different accessories or poorly maintained, the vibration emission may differ. This may significantly increase the exposure level over the total working period.

An estimation of the level of exposure to vibration should also take into account the times when the tool is switched off or when it is running but not actually doing the job. This may significantly reduce the exposure level over the total working period.

Identify additional safety measures to protect the operator from the effects of vibration such as: maintain the tool and the accessories, keep the hands warm, organisation of work patterns.

⚠ WARNING Read all safety warnings, instructions, illustrations and specifications provided with this power tool. Failure to follow all instructions listed below may result in electric shock, fire and/or serious injury. Save all warnings and instructions for future reference.

⚠ CUT-OFF MACHINE SAFETY WARNINGS

- The guard provided with the tool must be securely attached to the power tool and positioned for maximum safety, so the least amount of wheel is exposed towards the operator. Position yourself and bystanders away from the plane of the rotating wheel. The guard helps to protect operator from broken wheel fragments and accidental contact with wheel.
- Use only bonded reinforced or diamond cut-off wheels for your power tool. Just because an accessory can be attached to your power tool, it does not assure safe operation.
- The rated speed of the accessory must be at least equal to the maximum speed marked on the power tool. Accessories running faster than their rated speed can break and fly apart.
- Wheels must be used only for recommended applications. For example: do not grind with the side of cut-off wheel. Abrasive cut-off wheels are intended for peripheral grinding, side forces applied to these wheels may cause them to shatter.
- Always use undamaged wheel flanges that are of correct diameter for your selected wheel. Proper wheel flanges support the wheel thus reducing the possibility of wheel breakage.

f) Do not use worn down reinforced wheels from larger power tools. Wheels intended for a larger power tool are not suitable for the higher speed of a smaller tool and may burst.

g) The outside diameter and the thickness of your accessory must be within the capacity rating of your power tool. Incorrectly sized accessories cannot be adequately guarded or controlled.

h) The arbour size of wheels and flanges must properly fit the spindle of the power tool. Wheels and flanges with arbour holes that do not match the mounting hardware of the power tool will run out of balance, vibrate excessively and may cause loss of control.

i) Do not use damaged wheels. Before each use, inspect the wheels for chips and cracks. If power tool or wheel is dropped, inspect for damage or install an undamaged wheel. After inspecting and installing the wheel, position yourself and bystanders away from the plane of the rotating wheel and run the power tool at maximum no load speed for one minute. Damaged wheels will normally break apart during this test time.

j) Wear personal protective equipment. Depending on application, use face shield, safety goggles or safety glasses. As appropriate, wear dust mask, hearing protectors, gloves and shop apron capable of stopping small abrasive or workpiece fragments. The eye protection must be capable of stopping flying debris generated by various operations. The dust mask or respirator must be capable of filtering particles generated by your operation. Prolonged exposure to high intensity noise may cause hearing loss.

20 ENGLISH

k) Keep bystanders a safe distance away from work area. Anyone entering the work area must wear personal protective equipment. Fragments of workpiece or of a broken wheel may fly away and cause injury beyond immediate area of operation.

l) Hold the power tool by insulated gripping surfaces only, when performing an operation where the cutting accessory may contact hidden wiring. Cutting accessory contacting a "live" wire may make exposed metal parts of the power tool "live" and could give the operator an electric shock.

m) Never lay the power tool down until the accessory has come to a complete stop. The spinning wheel may grab the surface and pull the power tool out of your control.

n) Do not run the power tool while carrying it at your side. Accidental contact with the spinning accessory could snag your clothing, pulling the accessory into your body.

o) Regularly clean the power tool's air vents. The motor's fan will draw the dust inside the housing and excessive accumulation of powdered metal may cause electrical hazards.

p) Do not operate the power tool near flammable materials. Sparks could ignite these materials.

Further safety instructions for abrasive cutting-off operations

Kickback and related warnings

Kickback is a sudden reaction to a pinched or snagged rotating wheel. Pinching or snagging causes rapid stalling of the rotating wheel which in turn causes the uncontrolled power tool to be forced in the direction opposite of the wheel's rotation at the point of the binding.

For example, if an abrasive wheel is snagged or pinched by the workpiece, the edge of the wheel that is entering into the pinch point can dig into the surface of the material causing the wheel to climb out or kick out. The wheel may either jump toward or away from the operator, depending on direction of the wheel's movement at the point of pinching. Abrasive wheels may also break under these conditions.

Kickback is the result of power tool misuse and/or incorrect operating procedures or conditions and can be avoided by taking proper precautions as given below.

a) Maintain a firm grip on the power tool and position your body and arm to allow you to resist kickback forces. Always use auxiliary handle, if provided, for maximum control over kickback or torque reaction during start-up. The operator can control torque reactions or kickback forces, if proper precautions are taken.

b) Never place your hand near the rotating accessory. Accessory may kickback over your hand.

c) Do not position your body in line with the rotating wheel. Kickback will propel the tool in direction opposite to the wheel's movement at the point of snagging.

d) Use special care when working corners, sharp edges etc. Avoid bouncing and snagging the accessory. Corners, sharp edges or bouncing have a tendency to snag the rotating accessory and cause loss of control or kickback.

e) Do not attach a saw chain, woodcarving blade, segmented diamond wheel with a peripheral gap greater than 10 mm or toothed saw blade. Such blades create frequent kickback and loss of control.

f) Do not "jam" the wheel or apply excessive pressure. Do not attempt to make an excessive depth of cut. Overstressing the wheel increases the loading and susceptibility to twisting or binding of the wheel in the cut and the possibility of kickback or wheel breakage.

g) When wheel is binding or when interrupting a cut for any reason, switch off the power tool and hold the

power tool motionless until the wheel comes to a complete stop. Never attempt to remove the wheel from the cut while the wheel is in motion otherwise kickback may occur. Investigate and take corrective action to eliminate the cause of wheel binding.

h) Do not restart the cutting operation in the workpiece. Let the wheel reach full speed and carefully re-enter the cut. The wheel may bind, walk up or kickback if the power tool is restarted in the workpiece.

i) Support panels or any oversized workpiece to minimize the risk of wheel pinching and kickback. Large workpieces tend to sag under their own weight. Supports must be placed under the workpiece near the line of cut and near the edge of the workpiece on both sides of the wheel.

j) Use extra caution when making a "pocket cut" into existing walls or other blind areas. The protruding wheel may cut gas or water pipes, electrical wiring or objects that can cause kickback.

ADDITIONAL SAFETY AND WORKING INSTRUCTIONS

The rated speed of the accessory must be at least equal to the maximum speed marked on the power tool. Accessories running faster than their rated speed can break and fly apart.

Use protective equipment. Always wear safety glasses when working with the machine. The use of protective clothing is recommended, such as dust mask, protective gloves, sturdy non-slip footwear, helmet and ear defenders.

The dust produced when using this tool may be harmful to health. Do not inhale the dust. Wear a suitable dust protection mask.

Do not machine any materials that present a danger to health (e.g. asbestos).

Switch the device off immediately if the insertion tool stalls! Do not switch the device on again while the insertion tool is stalled, as doing so could trigger a sudden recoil with a high reactive force. Determine why the insertion tool stalled and rectify this, paying heed to the safety instructions.

The possible causes may be:

- it is tilted in the workpiece to be machined
- it has pierced through the material to be machined
- the power tool is overloaded

Do not reach into the machine while it is running.

The insertion tool may become hot during use.

- when changing tools
- when setting the device down

When working in walls ceiling, or floor, take care to avoid electric cables and gas or waterpipes.

Remove the battery pack before starting any work on the machine.

Do not dispose of used battery packs in the household refuse or by burning them. AEG Distributors offer to retrieve old batteries to protect our environment.

Do not store the battery pack together with metal objects (short circuit risk).

Use only System GBS chargers for charging System GBS battery packs. Do not use battery packs from other systems.

Never break open battery packs and chargers and store only in dry rooms. Keep dry at all times.

Battery acid may leak from damaged batteries under extreme load or extreme temperatures. In case of contact with battery acid wash it off immediately with soap and water. In case of eye contact rinse thoroughly for at least 10 minutes and immediately seek medical attention.

Warning! To reduce the risk of fire, personal injury, and product damage due to a short circuit, never immerse your tool, battery pack or charger in fluid or allow a fluid to flow

inside them. Corrosive or conductive fluids, such as seawater, certain industrial chemicals, and bleach or bleach containing products, etc., can cause a short circuit.

SPECIFIED CONDITIONS OF USE

This cut-off tool is intended to be used to cut different materials.

Do not use this product in any other way as stated for normal use.

To reduce the risk of injury, only use Type "1" abrasive and diamond wheels with a maximum 2.8 mm thickness, rated with a maximum safe operating speed at least 20,000 min⁻¹. Type 1 wheels are for side grinding only, not surface grinding. Read all safety information supplied with cut-off wheels.

Use the chart below to choose the correct wheel. Different types of wheels work best for different materials. Follow the use recommendations from the wheel manufacturer.

Wheel Type	Recommended for Cutting
Carbide Abrasive Wheel	Drywall, Plastic
Abrasive Cut-off wheel	Steel, Stainless Steel, Non-Ferrous Materials
Diamond Abrasive Wheel	Tile, Concrete, Brick, Ceramics, Fiber Cement

OVERLOAD PROTECTION

If the motor is overloaded, the overload protection will trip. To continue working, switch the machine off and then on again.

EC-DECLARATION OF CONFORMITY

We declare under our sole responsibility that the product described under "Technical Data" fulfills all the relevant provisions of the directives 2011/65/EU (RoHS), 2014/30/EU, 2006/42/EC and the following harmonized standards have been used:

EN 60745-1:2009+A11:2010
EN 60745-2-22:2011+A11:2013
EN 55014-1:2017+A11:2020
EN 55014-2:2015
EN IEC 63000:2018

Winnenden, 2020-06-30



Alexander Krug
Managing Director



Authorized to compile the technical file.

Techtronic Industries GmbH
Max-Eyth-Straße 10
71364 Winnenden
Germany

BATTERIES

Battery packs which have not been used for some time should be recharged before use.

Temperatures in excess of 50°C (122°F) reduce the performance of the battery pack. Avoid extended exposure to heat or sunshine (risk of overheating).

The contacts of chargers and battery packs must be kept clean.

For an optimum life-time, the battery packs have to be fully charged, after used.

To obtain the longest possible battery life remove the battery pack from the charger once it is fully charged.

For battery pack storage longer than 30 days:

Store the battery pack where the temperature is below 27°C and away from moisture

Store the battery packs in a 30% - 50% charged condition
Every six months of storage, charge the pack as normal.

BATTERY PACK PROTECTION LI-ION BATTERY

The battery pack has overload protection that protects it from being overloaded and helps to ensure long life. Under extreme stress the battery electronics switch off the machine automatically. To restart, switch the machine off and then on again. If the machine does not start up again, the battery pack may have discharged completely. In this case it must be recharged in the battery charger.

TRANSPORTING LITHIUM BATTERIES

Lithium-ion batteries are subject to the Dangerous Goods Legislation requirements.

Transportation of those batteries has to be done in accordance with local, national and international provisions and regulations.

- The user can transport the batteries by road without further requirements.
- Commercial transport of Lithium-Ion batteries by third parties is subject to Dangerous Goods regulations. Transport preparation and transport are exclusively to be carried out by appropriately trained persons and the process has to be accompanied by corresponding experts.

When transporting batteries:

- Ensure that battery contact terminals are protected and insulated to prevent short circuit.
- Ensure that battery pack is secured against movement within packaging.
- Do not transport batteries that are cracked or leak.

Check with forwarding company for further advice

MAINTENANCE

The ventilation slots of the machine must be kept clear at all times.

Be sure to disconnect the tool from the power supply before attaching or removing the saw blade.

Clean tool and guarding system with dry cloth. Certain cleaning agents and solvents are harmful to plastics and other insulated parts. Keep the apparatus handle clean, dry and free of spilt oil or grease. Check the function of guards. Regular maintenance and cleaning provide for a long service life and safe handling.















Use only AEG accessories and AEG spare parts. Should components need to be replaced which have not been described, please contact one of our AEG service agents (see our list of guarantee/service addresses).

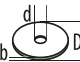
If needed, an exploded view of the tool can be ordered. Please state the machine type printed as well as the six-digit No. on the label and order the drawing at your

22 ENGLISH

local service agents or directly at: Techtronic Industries GmbH, Max-Eyth-Straße 10, 71364 Winnenden, Germany.

SYMBOLS

	CAUTION! WARNING! DANGER!
	Remove the battery pack before starting any work on the machine.
	Please read the instructions carefully before starting the machine.
	Wear gloves!
	Wear ear protectors! Always wear goggles when using the machine. Wear a suitable dust protection mask.
	Accessory - Not included in standard equipment, available as an accessory.
	Do not dispose electric tools, batteries/rechargeable batteries together with household waste material. Electric tools and batteries that have reached the end of their life must be collected separately and returned to an environmentally compatible recycling facility. Check with your local authority or retailer for recycling advice and collection point.
	Rotation direction
	Rated speed
	Volts
	Direct current
	European Conformity Mark
	Ukraine Conformity Mark
	EurAsian Conformity Mark

Produktionsnummer	4774 12 01...
	...000001-999999
Nennrehzahl	20000 min ⁻¹
 D=Diamant-Trennscheiben-ø max.	76 mm
d=Bohrungs-ø	10 mm
b=Trennscheibendicke min. / max.	1 mm / 2,8 mm
Schnitttiefe max.	16,3 mm
Spannung Wechselakku	18 V
Gewicht nach EPTA-Prozedur 01/2014 (2,0...6,0 Ah)	1,2...1,7 kg
Empfohlene Umgebungstemperatur beim Arbeiten	-18...+50 °C
Empfohlene Akkutypen	L1860R, L1850R, L1840R, L1830R, L1825R, L1820R, L1815R, L1820S
Empfohlene Ladegeräte	BL1218, BLK1218; AL1218G; AL18G

Geräusch/Vibrationsinformation (Beton schneiden)

Messwerte ermittelt entsprechend EN 60 745.

Der A-bewertete Geräuschpegel des Gerätes beträgt typischerweise:

Schalldruckpegel (Unsicherheit K=3dB(A))

Schalleistungspegel (Unsicherheit K=3dB(A))

Gehörschutz tragen!

Schwingungsgesamtwerte (Vektorsumme dreier Richtungen)

ermittelt entsprechend EN 60745.

Schwingungsemissionswert a_{h,SG}

Unsicherheit K =

WARNUNG

Der in diesen Anweisungen angegebene Schwingungspegel ist entsprechend einem in EN 60745 genormten Messverfahren gemessen worden und kann für den Vergleich von Elektrowerkzeugen miteinander verwendet werden. Er eignet sich auch für eine vorläufige Einschätzung der Schwingungsbelastung.

Der angegebene Schwingungspegel repräsentiert die hauptsächlichlichen Anwendungen des Elektrowerkzeugs. Wenn allerdings das Elektrowerkzeug für andere Anwendungen, mit abweichenden Einsatzwerkzeugen oder ungenügender Wartung eingesetzt wird, kann der Schwingungspegel abweichen. Dies kann die Schwingungsbelastung über den gesamten Arbeitszeitraum deutlich erhöhen.

Für eine genaue Abschätzung der Schwingungsbelastung sollten auch die Zeiten berücksichtigt werden, in denen das Gerät abgeschaltet ist oder zwar läuft, aber nicht tatsächlich im Einsatz ist. Dies kann die Schwingungsbelastung über den gesamten Arbeitszeitraum deutlich reduzieren.

Legen Sie zusätzliche Sicherheitsmaßnahmen zum Schutz des Bedieners vor der Wirkung von Schwingungen fest wie zum Beispiel: Wartung von Elektrowerkzeug und Einsatzwerkzeugen, Warmhalten der Hände, Organisation der Arbeitsabläufe.

⚠️ WARNUNG! Lesen Sie alle Sicherheitshinweise, Anweisungen, Darstellungen und Spezifikationen für dieses Elektrowerkzeug. Versäumnisse bei der Einhaltung der nachstehenden Anweisungen können elektrischen Schlag, Brand und/oder schwere Verletzungen verursachen.
Bewahren Sie alle Sicherheitshinweise und Anweisungen für die Zukunft auf.

⚠️ SICHERHEITSHINWEISE FÜR TRENSCHLEIFMASCHINEN

a) Die zum Elektrowerkzeug gehörende Schutzhaube muss sicher angebracht und so eingestellt sein, dass ein Höchstmaß an Sicherheit erreicht wird, d. h. der kleinstmögliche Teil des Schleifkörpers zeigt offen zur Bedienperson. Halten Sie und in der Nähe befindliche Personen sich außerhalb der Ebene der rotierenden Schleifscheibe. Die Schutzhaube soll die Bedienperson vor Bruchstücken und zufälligem Kontakt mit dem Schleifkörper schützen.

b) Verwenden Sie ausschließlich gerade verstärkte oder diamantbesetzte Trennscheiben für Ihr Elektrowerkzeug. Nur weil Sie das Zubehör an Ihrem Elektrowerkzeug befestigen können, garantiert das keine sichere Verwendung.

c) Die zulässige Drehzahl des Einsatzwerkzeugs muss mindestens so hoch sein wie die auf dem Elektrowerkzeug angegebene Höchstdrehzahl. Zubehör, das sich schneller als zulässig dreht, kann zerbrechen und umherfliegen.

d) Schleifkörper dürfen nur für die empfohlenen Einsatzmöglichkeiten verwendet werden. Z.B.: Schleifen Sie nie mit der Seitenfläche einer Trennscheibe. Trennscheiben sind zum Materialabtrag mit der Kante der Scheibe bestimmt. Seitliche Krafteinwirkung auf diese Schleifkörper kann sie zerbrechen.

e) Verwenden Sie immer unbeschädigte Spannfansche in der richtigen Größe für die von Ihnen gewählte Trennscheibe. Geeignete Fansche stützen die Trennscheibe und verringern so die Gefahr eines Trennscheibenbruchs.

f) Verwenden Sie keine abgenutzten Schleifscheiben von größeren Elektrowerkzeugen. Schleifscheiben für größere Elektrowerkzeuge sind nicht für die höheren Drehzahlen von kleineren Elektrowerkzeugen ausgelegt und können brechen.

g) Außendurchmesser und Dicke des Einsatzwerkzeugs müssen den Maßangaben Ihres Elektrowerkzeugs entsprechen. Falsch bemessene Einsatzwerkzeuge können nicht ausreichend abgeschirmt oder kontrolliert werden.

h) Schleifscheiben und Fansche müssen genau auf die Schleifspindel Ihres Elektrowerkzeugs passen. Einsatzwerkzeuge, die nicht genau auf die Schleifspindel des Elektrowerkzeugs passen, drehen sich ungleichmäßig, vibrieren sehr stark und können zum Verlust der Kontrolle führen.

i) Verwenden Sie keine beschädigten Schleifscheiben. Kontrollieren Sie vor jeder Verwendung die Schleifscheiben auf Absplitterungen und Risse. Wenn das Elektrowerkzeug oder die Schleifscheibe herunterfällt,

überprüfen Sie, ob es beschädigt ist, oder verwenden Sie eine unbeschädigte Schleifscheibe. Wenn Sie die Schleifscheibe kontrolliert und eingesetzt haben, halten Sie und in der Nähe befindliche Personen sich außerhalb der Ebene der rotierenden Schleifscheibe und lassen Sie das Gerät eine Minute lang mit Höchstzahl laufen. Beschädigte Schleifscheiben brechen meist in dieser Testzeit.

j) Tragen Sie persönliche Schutzausrüstung. Verwenden Sie je nach Anwendung Vollgesichtsschutz, Augenschutz oder Schutzbrille. Soweit angemessen, tragen Sie Staubmaske, Gehörschutz, Schutzhandschuhe oder Spezialschürze, die kleine Schleif- und Materialpartikel von Ihnen fernhält. Die Augen sollen vor herumfliegenden Fremdkörpern geschützt werden, die bei verschiedenen Anwendungen entstehen. Staub oder Atemschutzmaske müssen den bei der Anwendung entstehenden Staub filtern. Wenn Sie lange lautem Lärm ausgesetzt sind, können Sie einen Hörverlust erleiden.

k) Achten Sie bei anderen Personen auf sicheren Abstand zu Ihrem Arbeitsbereich. Jeder, der den Arbeitsbereich betritt, muss persönliche Schutzausrüstung tragen. Bruchstücke des Werkstücks oder gebrochener Einsatzwerkzeuge können wegfliegen und Verletzungen auch außerhalb des direkten Arbeitsbereichs verursachen.

l) Bei Arbeiten, bei denen der Schleifaufsatz mit verdeckten stromführenden Leitungen in Berührung kommen könnte, das Elektrowerkzeug immer an den isolierten Griffflächen anfassen. Bei Kontakt mit einem stromführenden Kabel können auch die Metallteile des Elektrowerkzeugs stromführend werden und dem Bediener einen Stromschlag versetzen.

m) Legen Sie das Elektrowerkzeug niemals ab, bevor das Einsatzwerkzeug völlig zum Stillstand gekommen ist. Das sich drehende Einsatzwerkzeug kann in Kontakt mit der Ablagefläche geraten, wodurch Sie die Kontrolle über das Elektrowerkzeug verlieren können.

n) Lassen Sie das Elektrowerkzeug nicht laufen, während Sie es tragen. Ihre Kleidung kann durch zufälligen Kontakt mit dem sich drehenden Einsatzwerkzeug erfasst werden, und das Einsatzwerkzeug sich in Ihren Körper bohren.

o) Reinigen Sie regelmäßig die Lüftungsschlitze Ihres Elektrowerkzeugs. Das Motorgebläse zieht Staub in das Gehäuse, und eine starke Ansammlung von Metallstaub kann elektrische Gefahren verursachen.

p) Verwenden Sie keine Einsatzwerkzeuge, die flüssige Kühlmittel erfordern. Die Verwendung von Wasser oder anderen flüssigen Kühlmitteln kann zu einem elektrischen Schlag führen.

Weitere Sicherheitshinweise für Trennschleifanwendungen

Rückschlag und entsprechende Sicherheitshinweise

Rückschlag ist die plötzliche Reaktion infolge einer hakenden oder blockierten drehenden Schleifscheibe. Verhaken oder Blockieren führt zu einem abrupten Stopp des rotierenden Einsatzwerkzeugs. Dadurch wird ein unkontrolliertes Elektrowerkzeug gegen die Drehrichtung des Einsatzwerkzeugs an der Blockierstelle beschleunigt.

Wenn z. B. eine Schleifscheibe im Werkstück hakt oder blockiert, kann sich die Kante der Schleifscheibe, die in das Werkstück eintaucht, verfangen und dadurch die Schleifscheibe ausbrechen oder einen Rückschlag verursachen. Die Schleifscheibe bewegt sich dann auf die Bedienperson zu oder von ihr weg, je nach Drehrichtung der Scheibe an der Blockierstelle. Hierbei können Schleifscheiben auch brechen.

Ein Rückschlag ist die Folge eines falschen oder fehlerhaften Gebrauchs des Elektrowerkzeugs. Er kann durch geeignete Vorsichtsmaßnahmen, wie nachfolgend beschrieben, verhindert werden.

a) Halten Sie das Elektrowerkzeug gut fest und bringen Sie Ihren Körper und Ihre Arme in eine Position, in der Sie die Rückschlagkräfte abfangen können. Verwenden Sie immer den Zusatzgriff, falls vorhanden, um die größtmögliche Kontrolle über Rückschlagkräfte oder Reaktionsmomente beim Hochlauf zu haben. Die Bedienperson kann durch geeignete Vorsichtsmaßnahmen die Rückschlag- und Reaktionskräfte beherrschen.

b) Bringen Sie Ihre Hand nie in die Nähe sich drehender Einsatzwerkzeuge. Das Einsatzwerkzeug kann sich beim Rückschlag über Ihre Hand bewegen.

c) Meiden Sie den Bereich vor und hinter der rotierenden Trennscheibe. Der Rückschlag treibt das Elektrowerkzeug in die Richtung entgegengesetzt zur Bewegung der Schleifscheibe an der Blockierstelle.

d) Arbeiten Sie besonders vorsichtig im Bereich von Ecken, scharfen Kanten usw. Verhindern Sie, dass Einsatzwerkzeuge vom Werkstück zurückprallen und verklebten. Das rotierende Einsatzwerkzeug neigt bei Ecken, scharfen Kanten oder wenn es abbrüllt, dazu, sich zu verklebten. Dies verursacht einen Kontrollverlust oder Rückschlag.

e) Verwenden Sie kein Ketten- oder gezähntes Sägeblatt sowie keine segmentierte Diamantscheibe mit mehr als 10 mm breiten Schlitzten. Solche Einsatzwerkzeuge verursachen häufig einen Rückschlag oder den Verlust der Kontrolle über das Elektrowerkzeug.

f) Vermeiden Sie ein Blockieren der Trennscheibe oder zu hohen Anpressdruck. Führen Sie keine übermäßig tiefen Schnitte aus. Eine Überlastung der Trennscheibe erhöht deren Beanspruchung und die Anfälligkeit zum Verhaken oder Blockieren und damit die Möglichkeit eines Rückschlags oder Schleifkörperbruchs.

g) Falls die Trennscheibe verklebmt oder Sie die Arbeit unterbrechen, schalten Sie das Elektrowerkzeug aus und halten Sie es ruhig, bis die Scheibe zum Stillstand gekommen ist. Versuchen Sie nie, die noch laufende Trennscheibe aus dem Schnitt zu ziehen, sonst kann ein Rückschlag erfolgen. Ermitteln und beheben Sie die Ursache für das Verklebmen.

h) Schalten Sie das Elektrowerkzeug nicht wieder ein, solange es sich im Werkstück befindet. Lassen Sie die Trennscheibe erst ihre volle Drehzahl erreichen, bevor Sie den Schnitt vorsichtig fortsetzen. Anderenfalls kann die Scheibe verhaken, aus dem Werkstück springen oder einen Rückschlag verursachen.

i) Stützen Sie Platten oder große Werkstücke ab, um das Risiko eines Rückschlags durch eine eingeklemmte Trennscheibe zu vermindern. Große Werkstücke können sich unter ihrem eigenen Gewicht durchbiegen. Das Werkstück muss auf beiden Seiten abgestützt werden, und zwar sowohl in der Nähe des Trennschnitts als auch an der Kante.

j) Seien Sie besonders vorsichtig bei „Taschenschnitten“ in bestehende Wände oder andere nicht einsehbare Bereiche. Die eintauchende Trennscheibe kann beim Schneiden in Gas oder Wasserleitungen, elektrische Leitungen oder andere Objekte einen Rückschlag verursachen.

WEITERE SICHERHEITS- UND ARBEITSHINWEISE

Die zulässige Drehzahl des Einsatzwerkzeugs muss mindestens so hoch sein wie die auf dem Elektrowerkzeug angegebene Höchstzahl. Zubehör, das sich schneller als zulässig dreht, kann zerbrechen und umherfliegen.

Schutzausrüstung verwenden. Beim Arbeiten mit der Maschine stets Schutzbrille tragen. Schutzkleidung wie Staubschutzmaske, Schutzhandschuhe, festes und rutschsicheres Schuhwerk, Helm und Gehörschutz werden empfohlen.

Beim Arbeiten entstehender Staub ist oft gesundheitsschädlich und sollte nicht in den Körper gelangen. Geeignete Staubschutzmaske tragen.

Es dürfen keine Materialien bearbeitet werden, von denen eine Gesundheitsgefährdung ausgeht (z.B. Asbest).

Beim Blockieren des Einsatzwerkzeuges bitte das Gerät sofort ausschalten! Schalten Sie das Gerät nicht wieder ein, solange das Einsatzwerkzeug blockiert ist; hierbei könnte ein Rückschlag mit hohem Reaktionsmoment entstehen. Ermitteln und beheben Sie die Ursache für die Blockierung des Einsatzwerkzeuges unter Berücksichtigung der Sicherheitshinweise.

Mögliche Ursachen dafür können sein:

- Verkanten im zu bearbeitenden Werkstück
- Durchbrechen des zu bearbeitenden Materials
- Überlasten des Elektrowerkzeuges

Greifen Sie nicht in die laufende Maschine.

Das Einsatzwerkzeug kann während der Anwendung heiß werden.

- bei Werkzeugwechsel
- bei Ablegen des Gerätes

Beim Arbeiten in Wand, Decke oder Fußboden auf elektrische Kabel, Gas- und Wasserleitungen achten.

Vor allen Arbeiten an der Maschine den Wechselakku herausnehmen

Verbrauchte Wechselakkus nicht ins Feuer oder in den Hausmüll werfen. AEG bietet eine umweltgerechte Alt-Wechselakku-Entsorgung an; bitte fragen Sie Ihren Fachhändler.

Wechselakkus nicht zusammen mit Metallgegenständen aufbewahren (Kurzschlussgefahr).

Wechselakkus des Systems GBS nur mit Ladegeräten des Systems GBS laden. Keine Akkus aus anderen Systemen laden.

Wechselakkus und Ladegeräte nicht öffnen und nur in trockenen Räumen lagern. Vor Nässe schützen.

Unter extremer Belastung oder extremer Temperatur kann aus beschädigten Wechselakkus Batterieflüssigkeit auslaufen. Bei Berührung mit Batterieflüssigkeit sofort mit Wasser und Seife abwaschen. Bei Augenkontakt sofort mindestens 10 Minuten gründlich spülen und unverzüglich einen Arzt aufsuchen.

Warnung! Um die durch einen Kurzschluss verursachte Gefahr eines Brandes, von Verletzungen oder Produktbeschädigungen zu vermeiden, tauchen Sie das Werkzeug, den Wechselakku oder das Ladegerät nicht in Flüssigkeiten ein und sorgen Sie dafür, dass keine Flüssigkeiten in die Geräte und Akkus eindringen. Korrodierende oder leitfähige Flüssigkeiten, wie Salzwasser, bestimmte Chemikalien und Bleichmittel oder Produkte, die Bleichmittel enthalten, können einen Kurzschluss verursachen.

BESTIMMUNGSGEMÄSSE VERWENDUNG

Dieser Trennschleifer ist geeignet zum Trennen verschiedener Materialien.

Dieses Gerät darf nur wie angegeben bestimmungsgemäß verwendet werden.

Um das Verletzungsrisiko zu minimieren, verwenden Sie nur Diamantschleifscheiben vom Typ 1 mit einer maximalen Dicke von 2,8 mm, die mindestens bis zu einer Drehzahl von 20.000 min⁻¹ sicher betrieben werden können. Schleifscheiben vom Typ 1 eignen sich nur zum Seitenschleifen, nicht zum Planschleifen. Beachten Sie alle Sicherheitshinweise, die mit den Trennschleifscheiben geliefert werden.

Verwenden Sie die nachstehende Übersicht zur Auswahl der passenden Schleifscheibe. Je nach Material sind

unterschiedliche Schleifscheiben zu verwenden. Beachten Sie die Gebrauchshinweise des Schleifscheibenherstellers.

Scheibentyp	Zum Schleifen von
Karbid Schleifscheiben	Gipskarton, Kunststoff
Trennschleifscheiben	Stahl, Edelstahl, nichteisenhaltige Werkstoffe
Diamantschleifscheiben	Fliesen, Beton, Ziegelstein, Keramik, Faserzement

ÜBERLASTSCHUTZ

Bei hoher Motorüberlastung wird der Überlastschutz ausgelöst. Um weiter zu arbeiten Maschine aus- und wieder einschalten.

CE-KONFORMITÄTSERKLÄRUNG

Wir erklären in alleiniger Verantwortung, dass das unter „Technische Daten“ beschriebene Produkt mit alle relevanten Vorschriften der Richtlinie 2011/65/EU (RoHS), 2014/30/EU, 2006/42/EG und den folgenden harmonisierten normativen Dokumenten übereinstimmt:

EN 60745-1:2009+A11:2010
EN 60745-2-22:2011+A11:2013
EN 55014-1:2017+A11:2020
EN 55014-2:2015
EN IEC 63000:2018

Winnenden, 2020-06-30



Alexander Krug
Managing Director



Bevollmächtigt die technischen Unterlagen zusammenzustellen

Techtronic Industries GmbH
Max-Eyth-Straße 10
71364 Winnenden
Germany

AKKUS

Längere Zeit nicht benutzte Wechselakkus vor Gebrauch nachladen.

Eine Temperatur über 50°C vermindert die Leistung des Wechselakkus. Längere Erwärmung durch Sonne oder Heizung vermeiden.

Die Anschlusskontakte an Ladegerät und Wechselakku sauber halten.

Für eine optimale Lebensdauer müssen nach dem Gebrauch die Akkus voll geladen werden.

Für eine möglichst lange Lebensdauer sollten die Akkus nach dem Aufladen aus dem Ladegerät entfernt werden.

Bei Lagerung des Akkus länger als 30 Tage:

Akku bei ca. 27°C und trocken lagern.

Akku bei ca. 30%-50% des Ladezustandes lagern.

Akku alle 6 Monate erneut aufladen.

AKKUÜBERLASTSCHUTZ LI-ION AKKU

Der Akkupack ist mit einem Überlastschutz ausgestattet, der den Akku vor Überlastung schützt und eine hohe Lebensdauer sicherstellt.

Bei extrem starker Beanspruchung schaltet die Akkuelektronik die Maschine automatisch ab. Zum Weiterarbeiten Maschine Aus- und wieder Einschalten.

Sollte die Maschine nicht wieder anlaufen, ist der Akkupack

möglicherweise entladen und muss im Ladegerät wieder aufgeladen werden.

TRANSPORT VON LITHIUM-IONEN-AKKUS

Lithium-Ionen-Akkus fallen unter die gesetzlichen Bestimmungen zum Gefahrguttransport.

Der Transport dieser Akkus muss unter Einhaltung der lokalen, nationalen und internationalen Vorschriften und Bestimmungen erfolgen.

- Verbraucher dürfen diese Akkus ohne Weiteres auf der Straße transportieren.
- Der kommerzielle Transport von Lithium-Ionen-Akkus durch Speditionsunternehmen unterliegt den Bestimmungen des Gefahrguttransports. Die Versandvorbereitungen und der Transport dürfen ausschließlich von entsprechend geschulten Personen durchgeführt werden. Der gesamte Prozess muss fachmännisch begleitet werden.

Folgende Punkte sind beim Transport von Akkus zu beachten:

- Stellen Sie sicher, dass die Kontakte geschützt und isoliert sind, um Kurzschlüsse zu vermeiden.
- Achten Sie darauf, dass der Akkupack innerhalb der Verpackung nicht verrutschen kann.
- Beschädigte oder auslaufende Akkus dürfen nicht transportiert werden.

Wenden Sie sich für weitere Hinweise an Ihr Speditionsunternehmen.

WARTUNG

Stets die Lüftungsschlitze der Maschine sauber halten.

Stellen Sie sicher, dass das Gerät von der Stromversorgung getrennt ist, bevor Sie das Sägeblatt anbringen oder abnehmen.

Reinigen Sie Gerät und Schutzeinrichtung mit einem trockenen Tuch. Manche Reinigungsmittel beschädigen Kunststoff oder andere isolierte Teile. Das Gerät sauber und trocken sowie frei von ausgetretenem Öl und Fett halten. Überprüfen Sie die Funktion der Schutzhauben. Regelmäßige Wartung und Reinigung sorgen für eine lange Lebensdauer und sichere Handhabung.

Nur AEG Zubehör und AEG Ersatzteile verwenden. Bauteile, deren Austausch nicht beschrieben wurde, bei einer AEG Kundendienststelle auswechseln lassen (Broschüre Garantie/ Kundendienstadressen beachten).

Bei Bedarf kann eine Explosionszeichnung des Gerätes unter Angabe der Maschinen Type und der sechsstelligen Nummer auf dem Leistungsschild bei Ihrer Kundendienststelle oder direkt bei Techtronic Industries GmbH, Max-Eyth-Straße 10, 71364 Winnenden, Germany angefordert werden.

SYMBOLE



ACHTUNG! WARNUNG! GEFAHR!



Vor allen Arbeiten an der Maschine den Wechselakku herausnehmen



Bitte lesen Sie die Gebrauchsanweisung vor Inbetriebnahme sorgfältig durch.



Schutzhandschuhe tragen!



Gehörschutz tragen!
Beim Arbeiten mit der Maschine stets Schutzbrille tragen.
Geeignete Staubschutzmaske tragen.



Zubehör - Im Lieferumfang nicht enthalten, empfohlene Ergänzung aus dem Zubehörprogramm.



Elektrogeräte, Batterien/Akkus dürfen nicht zusammen mit dem Hausmüll entsorgt werden. Elektrische Geräte und Akkus sind getrennt zu sammeln und zur umweltgerechten Entsorgung bei einem Verwertungsbetrieb abzugeben. Erkundigen Sie sich bei den örtlichen Behörden oder bei Ihrem Fachhändler nach Recyclinghöfen und Sammelstellen.



Drehrichtung



Bemessungsdrehzahl



Spannung



Gleichstrom



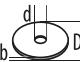
Europäisches Konformitätszeichen



Ukrainisches Konformitätszeichen



Euroasiatisches Konformitätszeichen

Numéro de série.....	4774 12 01...
	...000001-999999
Vitesse de rotation nominale	20000 min ⁻¹
 D=Disques de coupe ø	76 mm
d=ø de perçage	10 mm
b=Épaisseur disque de coupe min. / max.	1 mm / 2,8 mm
Profondeur de coupe.....	16,3 mm
Tension accu interchangeable	18 V
Poids suivant EPTA-Procédure 01/2014 (2,0...6,0 Ah)	1,2...1,7 kg
Température conseillée lors du travail	-18...+50 °C
Batteries conseillées	L1860R, L1850R, L1840R, L1830R, L1825R, L1820R, L1815R, L1820S
Chargeurs de batteries conseillés	BL1218, BLK1218; AL1218G; AL18G

Informations sur le bruit et les vibrations (couper du béton)

Valeurs de mesure obtenues conformément à la EN 60 745.

La mesure réelle (A) du niveau de bruit de l'outil est

Niveau de pression acoustique (Incertitude K=3dB(A))..... 102,0 dB (A)

Niveau d'intensité acoustique (Incertitude K=3dB(A))..... 91,0 dB (A)

Toujours porter une protection acoustique!

Valeurs totales des vibrations (somme vectorielle de trois sens) établies conformément à EN 60745.

Valeur d'émission vibratoire a_{h,SG}..... 4,2 m/s²Incertitude K=..... 1,5 m/s²**AVERTISSEMENT**

Le niveau vibratoire indiqué dans ces instructions a été mesuré selon un procédé de mesure normalisé dans la norme EN 60745 et peut être utilisé pour comparer des outils électriques entre eux. Il convient aussi à une estimation provisoire de la sollicitation par les vibrations.

Le niveau vibratoire indiqué représente les applications principales de l'outil électrique. Toutefois, si l'outil électrique est utilisé pour d'autres applications, avec des outils rapportés qui diffèrent ou une maintenance insuffisante, il se peut que le niveau vibratoire diverge. Cela peut augmenter nettement la sollicitation par les vibrations sur tout l'intervalle de temps du travail.

Pour une estimation précise de la sollicitation par les vibrations, on devrait également tenir compte des temps pendant lesquels l'appareil n'est pas en marche ou tourne sans être réellement en service. Cela peut réduire nettement la sollicitation par les vibrations sur tout l'intervalle de temps du travail.

Définissez des mesures de sécurité supplémentaires pour protéger l'utilisateur contre l'influence des vibrations, comme par exemple : la maintenance de l'outil électrique et des outils rapportés, le maintien au chaud des mains, l'organisation des déroulements de travail.

⚠ AVERTISSEMENT! Lire tous les avertissements de sécurité, les instructions opérationnelles, les illustrations et les spécifications fournies avec cet outil électrique. La non observance des instructions mentionnées ci-dessous peut causer des chocs électriques, des incendies ou de graves blessures. **Conserver tous les avertissements et toutes les instructions pour pouvoir s'y reporter ultérieurement.**

⚠ INDICATIONS DE SÉCURITÉ CONCERNANT LES TRONÇONNEUSES

a) Le capot de protection du dispositif électrique doit être fixé d'une façon sûre et il doit être réglé en vue de garantir une sécurité max., c'est-à-dire que la portion de la meule abrasive exposée sans protection vers l'opérateur doit être minimale. L'opérateur et les personnes près de lui ne doivent pas se trouver dans le même plan du disque polisseur. Le capot de protection est le but de protéger l'opérateur des fragments et du contact inattendu avec la meule abrasive.

b) Avec le dispositif électrique n'employer que des disques polisseurs renforcés liés ou revêtus en diamant. La simple possibilité de fixation d'un certain accessoire sur le dispositif électrique ne garantit pas son utilisation en toute sécurité.

c) La vitesse assignée de l'accessoire doit être au moins égale à la vitesse maximale indiquée sur l'outil électrique. Les accessoires fonctionnant plus vite que leur vitesse assignée peuvent se rompre et voler en éclat.

d) Les meules doivent être utilisées uniquement pour les applications recommandées. Par exemple : ne pas meuler avec le côté de la meule à tronçonner. Les meules à tronçonner abrasives sont destinées au meulage périphérique, l'application de forces latérales à ces meules peut les briser en éclats.

e) Utilisez toujours des brides de serrage non détériorées, de la bonne taille, adaptée à la meule que vous avez choisie. Les brides adaptées permettent de protéger la meule et réduisent ainsi le risque de rupture de la meule.

f) Ne pas utiliser de meules usées d'outils électriques plus grands. La meule destinée à un outil électrique plus grand n'est pas appropriée pour la vitesse plus élevée d'un outil plus petit et elle peut éclater.

g) Le diamètre extérieur et l'épaisseur des outils utilisés doivent correspondre aux cotes de l'outil électrique. Les outils dont la mesure a été effectuée de manière erronée ne peuvent pas être suffisamment blindés ou contrôlés.

h) Les disques polisseurs et les brides doivent avoir exactement la même mesure du dispositif électronique. Les accessoires n'ayant pas la même mesure de l'outil de serrage du dispositif électrique tourneront d'une manière déséquilibrée, vibreront d'une manière excessive et ils pourront provoquer la perte de contrôle.

i) Ne pas utiliser des disques polisseurs endommagés. Avant chaque utilisation contrôler la présence sur les disques polisseurs d'ébrèchements et de criques. En cas de chute du dispositif électrique ou du disque polisseur, contrôler la présence de dommages ou

utiliser un disque polisseur intact. Après avoir contrôlé et monté un disque polisseur, assurez-vous que tant l'opérateur que les autres personnes près de lui ne se trouvent pas dans le même plan du disque polisseur tournant et faire tourner le dispositif pour une minute au nombre max. de tours. Les disques polisseurs endommagés se cassent d'habitude durant cette période d'essai.

j) Porter un équipement de protection individuelle. En fonction de l'application, utiliser un écran facial, des lunettes de sécurité ou des verres de sécurité. Le cas échéant, utiliser un masque antipoussières, des protections auditives, des gants et un tablier capables d'arrêter les petits fragments abrasifs ou des pièces à usiner. La protection oculaire doit être capable d'arrêter les débris volants produits par les diverses opérations. Le masque antipoussières ou le respirateur doit être capable de filtrer les particules produites par vos travaux. L'exposition prolongée aux bruits de forte intensité peut provoquer une perte de l'audition.

k) Veillez à ce que les personnes tierces respectent une distance sûre par rapport à votre périmètre de travail. Toute personne qui pénètre dans le périmètre de travail doit porter des équipements de protection individuelle. Des fragments de la pièce usinée et d'outils rapportés brisés sont susceptibles de s'envoler et de provoquer des blessures mêmes en dehors du périmètre direct de travail.

l) En cas de travaux où l'accessoire de meulage peut entrer en contact avec des câbles sous tension non visibles, tenez toujours l'outil électrique par les surfaces de préhension isolées. En cas de contact avec un câble sous tension, les parties métalliques de l'outil électrique peuvent elles aussi être conductrices et électrocutes l'opérateur.

m) Ne jamais poser l'appareil électrique avant que l'outil rapporté soit entièrement à l'arrêt. L'outil rapporté en rotation est susceptible d'entrer en contact avec la surface de dépôt, ce qui risquerait de vous faire perdre le contrôle de l'appareil électrique.

n) Ne pas faire fonctionner l'outil électrique en le portant sur le côté. Un contact accidentel avec l'accessoire de rotation pourrait accrocher vos vêtements et attirer l'accessoire sur vous.

o) Nettoyer régulièrement les orifices d'aération de l'outil électrique. Le ventilateur du moteur attirera la poussière à l'intérieur du boîtier et une accumulation excessive de poudre de métal peut provoquer des dangers électriques.

p) Ne pas utiliser d'outils rapportés qui nécessitent des agents réfrigérants liquides. L'utilisation d'eau ou d'autres agents réfrigérants liquides risque de provoquer une électrocution.

Ultimeures consignes de sécurité concernant les tronçonneuses

Contrecoup et consignes de sécurité correspondantes

D'éventuelles contrecoups sont des réactions soudaines causés par des disques polisseurs qui se coincent ou se bloquent pendant leur rotation. D'éventuels coincements ou blocages comportent l'arrêt subit de l'outil. De cette façon un dispositif électrique non contrôlé est accéléré, sur le point de blocage, dans la direction opposée à celle de l'outil.

Par exemple, si une meule abrasive est accrochée ou pincée par la pièce à usiner, le bord de la meule qui entre dans le point de pincement peut creuser la surface du matériau, provoquant des sauts ou l'expulsion de la meule. La meule peut sauter en direction de l'opérateur ou encore en s'en éloignant, selon le sens du mouvement de la meule au point de pincement. Les meules abrasives peuvent également se rompre dans ces conditions.

Le rebond résulte d'un mauvais usage de l'outil et/ou de procédures ou de conditions de fonctionnement incorrectes et peut être évité en prenant les précautions appropriées spécifiées cidessous.

a) **Maintenir fermement l'outil électrique et placer votre corps et vos bras pour vous permettre de résister aux forces de rebond. Toujours utiliser une poignée auxiliaire, le cas échéant, pour une maîtrise maximale du rebond ou de la réaction de couple au cours du démarrage.** L'opérateur peut maîtriser les couples de réaction ou les forces de rebond, si les précautions qui s'imposent sont prises.

b) **Ne jamais placer votre main à proximité de l'accessoire en rotation.** L'accessoire peut effectuer un rebond sur votre main.

c) **Éviter de stationner devant ou derrière le disque polisseur tournant.** Lorsque un contrecoup se produit, le dispositif électrique est poussé dans la direction opposée à celle du mouvement du disque polisseur sur le point de blocage.

d) **Apporter un soin particulier lors de travaux dans les coins, les arêtes vives etc. Éviter les rebondissements et les accrochages de l'accessoire.** Les coins, les arêtes vives ou les rebondissements ont tendance à accrocher l'accessoire en rotation et à provoquer une perte de contrôle ou un rebond.

e) **N'utiliser ni lames à chaîne ou à dents, ni lames en diamant segmentées avec fentes dépassant les 10 mm. de largeur.** Les types d'outils susdits causent fréquemment d'effets de contrecoup ou la perte de contrôle sur le dispositif électrique.

f) **Ne pas « coincer » la meule à tronçonner ou ne pas appliquer une pression excessive. Ne pas tenter d'exécuter une profondeur de coupe excessive.** Une contrainte excessive de la meule augmente la charge et la probabilité de torsion ou de blocage de la meule dans la coupe et la possibilité de rebond ou de rupture de la meule.

g) **Lorsque la meule se bloque ou lorsque la coupe est interrompue pour une raison quelconque, mettre l'outil électrique hors tension et tenir l'outil électrique immobile jusqu'à ce que la meule soit à l'arrêt complet. Ne jamais tenter d'enlever la meule à tronçonner de la coupe tandis que la meule est en mouvement sinon le rebond peut se produire.** Rechercher et prendre des mesures correctives afin d'empêcher que la meule ne se grippe.

h) **Ne pas reprendre l'opération de coupe dans la pièce à usiner. Laisser la meule atteindre sa pleine vitesse et rentrer avec précaution dans le tronçon.** La meule peut se coincer, venir chevaucher la pièce à usiner ou effectuer un rebond si l'on fait redémarrer l'outil électrique dans la pièce à usiner.

i) **Prévoir un support de panneaux ou de toute pièce à usiner surdimensionnée pour réduire le risque de pincement et de rebond de la meule.** Les grandes pièces à usiner ont tendance à fléchir sous leur propre poids. Les supports doivent être placés sous la pièce à usiner près de la ligne de coupe et près du bord de la pièce des deux côtés de la meule.

j) **Soyez particulièrement prudent lorsque vous faites une « coupe en retrait » dans des parois existantes ou dans d'autres zones sans visibilité.** La meule saillante peut couper des tuyaux de gaz ou d'eau, des câblages électriques ou des objets, ce qui peut entraîner des rebonds.

AVIS COMPLÉMENTAIRES DE SÉCURITÉ ET DE TRAVAIL

La vitesse assignée de l'accessoire doit être au moins égale à la vitesse maximale indiquée sur l'outil électrique. Les accessoires fonctionnant plus vite que leur vitesse assignée peuvent se rompre et voler en éclat.

Utiliser l'équipement de protection. Toujours porter des lunettes de protection pendant le travail avec la machine. Il est recommandé de porter des articles de protection, tels que masque antipoussière, gants de protection, chaussures tenant bien aux pieds et antidérapantes, casque et protection acoustique.

Les poussières qui sont dégagées pendant les travaux sont souvent nocives pour la santé et ne devraient pas pénétrer dans le corps. Porter un masque de protection approprié contre les poussières.

Il est interdit de travailler des matériaux dangereux pour la santé (par ex. amiante).

Désactiver immédiatement le dispositif en cas de blocage ! Ne pas réactiver le dispositif avec l'outil bloqué; il y a le risque de provoquer un retrecoup avec moment de réaction élevé. Etablir et éliminer la cause du blocage de l'outil en prêtant attention aux consignes de sécurité.

Les causes possibles sont :

- Encastrement dans la pièce à travailler.
- Le dispositif a traversé le matériau à travailler en le cassant.
- Le dispositif électrique a été surchargé.

Ne pas approcher les mains de la partie en mouvement de la machine.

Durant l'utilisation, l'outil peut se surchauffer.

- durant le remplacement de l'outil
- durant la dépose de l'outil

Lors du perçage dans les murs, les plafonds ou les planchers, toujours faire attention aux câbles électriques et aux conduites de gaz et d'eau.

Avant tous travaux sur la machine retirer l'accu interchangeable.

Ne pas jeter les accus interchangeables usés au feu ou avec les déchets ménagers. AEG offre un système d'évacuation écologique des accus usés.

Ne pas conserver les accus interchangeables avec des objets métalliques (risque de court-circuit)

Ne charger les accus interchangeables du système GBS qu'avec le chargeur d'accus du système GBS. Ne pas charger des accus d'autres systèmes.

Ne pas ouvrir les accus interchangeables et les chargeurs et ne les stocker que dans des locaux secs. Les protéger contre l'humidité.

En cas de conditions ou températures extrêmes, du liquide caustique peut s'échapper d'un accu interchangeable endommagé. En cas de contact avec le liquide caustique de la batterie, laver immédiatement avec de l'eau et du savon. En cas de contact avec les yeux, rincer soigneusement avec de l'eau et consulter immédiatement un médecin.

Avertissement! Pour réduire le risque d'incendie, de blessures corporelles et de dommages causés par un court-circuit, ne jamais immerger l'outil, le bloc-piles ou le chargeur dans un liquide ou laisser couler un fluide à l'intérieur de celui-ci. Les fluides corrosifs ou conducteurs, tels que l'eau de mer, certains produits chimiques industriels, les produits de blanchiment ou de blanchiment, etc., peuvent provoquer un court-circuit.

UTILISATION CONFORME AUX PRESCRIPTIONS

Cet outil de coupe est destiné à être utilisé pour couper différents matériaux.

Comme déjà indiqué, cette machine n'est conçue que pour être utilisée conformément aux prescriptions.

Afin de réduire le risque de blessures, utilisez uniquement des meules diamantées de type 1 d'une épaisseur maximale de 2,8 mm pouvant fonctionner en toute sécurité à une vitesse de rotation minimale de 20 000 tr/min. Les meules de type 1 sont adaptées uniquement pour le

meulage latéral, pas pour le meulage plan. Lisez toutes les consignes de sécurité fournies avec la meule à tronçonner.

Utilisez la vue d'ensemble suivante pour sélectionner la meule correcte. Différents types de meules doivent être utilisés selon les matériaux. Respectez le mode d'emploi du fabricant de la meule.

Type de meule	Recommandée pour le meulage de
Meule en carbure	Placoplâtre, plastique
Meule à tronçonner	Acier, inox, matériaux non ferreux
Meules diamantées	Carrelage, béton, brique, céramique, fibrociment

PROTECTION CONTRE SURCHARGE

Le disjoncteur de surcharge est déclenché en cas d'une haute surcharge du moteur. Mettre la machine hors tension et l'enclencher à nouveau pour pouvoir continuer à travailler.

DECLARATION CE DE CONFORMITÉ

Nous déclarons sous notre propre responsabilité que le produit décrit aux „Données techniques“ est conforme à toutes les dispositions des directives 2011/65/EU (RoHS), 2014/30/UE, 2006/42/CE et des documents normatifs harmonisés suivants:

EN 60745-1:2009+A11:2010
EN 60745-2-22:2011+A11:2013
EN 55014-1:2017+A11:2020
EN 55014-2:2015
EN IEC 63000:2018

Winnenden, 2020-06-30



Alexander Krug
Managing Director



Autorisé à compiler la documentation technique.

Techtronic Industries GmbH
Max-Eyth-Straße 10
71364 Winnenden
Germany

ACCUS

Recharger les accus avant utilisation après une longue période de non utilisation.

Une température supérieure à 50°C amoindrit la capacité des accus. Eviter les expositions prolongées au soleil ou au chauffage.

Tenir propres les contacts des accus et des chargeurs.

Après l'usage, les accus doivent être chargés entièrement pour une durée de vie optimale.

Pour une plus longue durée de vie, enlever les batteries du chargeur de batterie quand celles-ci seront chargées.

En cas d'entreposage de la batterie pour plus de 30 jours: Entreposer la batterie à 27°C environ dans un endroit sec. Entreposer la batterie avec une charge d'environ 30% - 50%.

Recharger la batterie tous les 6 mois.

PROTECTION DE L'ACCU CONTRE LES SURCHARGES

Le bloc d'accus est équipé d'un dispositif de protection contre la surcharge qui protège l'accu contre une surcharge et qui assure une longue durée de vie.

30 FRANÇAIS

En cas de sollicitation extrêmement élevée, l'unité électronique de l'accu éteint la machine automatiquement. Pour continuer le travail, il convient d'éteindre la machine et de l'enclencher à nouveau. Si la machine ne redémarre pas, il se peut que le bloc d'accu soit déchargé et qu'il doit être rechargé dans le chargeur.

TRANSPORT DE BATTERIES LITHIUM-ION

Les batteries lithium-ion sont soumises aux dispositions législatives concernant le transport de produits dangereux.

Le transport de ces batteries devra s'effectuer dans le respect des dispositions et des normes locales, nationales et internationales.

- Les utilisateurs peuvent transporter ces batteries sans restrictions.
- Le transport commercial de batteries lithium-ion est réglé par les dispositions concernant le transport de produits dangereux. La préparation au transport et le transport devront être effectués uniquement par du personnel formé de façon adéquate. Tout le procédé devra être géré d'une manière professionnelle.

Durant le transport de batteries il faut respecter les consignes suivantes :

- S'assurer que les contacts soient protégés et isolés en vue d'éviter des courts-circuits.
- S'assurer que le groupe de batteries ne puisse pas se déplacer à l'intérieur de son emballage.
- Des batteries endommagées ou des batteries perdant du liquide ne devront pas être transportées.

Pour tout renseignement complémentaire veuillez vous adresser à votre transporteur professionnel.

ENTRETIEN

Tenir toujours propres les orifices de ventilation de la machine.

Assurez-vous de débrancher l'outil du secteur avant de monter ou de démonter la lame de scie.

Nettoyer l'appareil et le dispositif de protection avec un chiffon sec. Certains détergents endommagent les matériaux synthétiques ou d'autres parties isolantes. Maintenir l'appareil nettoyé, sec et libre d'huiles et graisses écoulées. Contrôler le fonctionnement des protecteurs. Un entretien et un nettoyage réguliers permettent une longue vie utile et un emploi sûr.

Utiliser uniquement les accessoires AEG et les pièces détachées AEG. Faire remplacer les composants dont le remplacement n'a pas été décrit, par un des centres de service après-vente AEG (observer la brochure avec les adresses de garantie et de service après-vente).

En cas de besoin il est possible de demander un dessin éclaté du dispositif en indiquant le modèle de la machine et le numéro de six chiffres imprimé sur la plaquette de puissance et en s'adressant au centre d'assistance technique ou directement à Techtronic Industries GmbH, Max-Eyth-Straße 10, 71364 Winnenden, Germany.

SYMBOLES



ATTENTION! AVERTISSEMENT! DANGER!



Avant tous travaux sur la machine retirer l'accu interchangeable.



Veuillez lire avec soin le mode d'emploi avant la mise en service



Porter des gants de protection!



Toujours porter une protection acoustique!
Toujours porter des lunettes protectrices en travaillant avec la machine.

Porter un masque de protection approprié contre les poussières.



Accessoires - Ces pièces ne font pas partie de la livraison. Il s'agit là de compléments recommandés pour votre machine et énumérés dans le catalogue des accessoires.



Les dispositifs électriques, les batteries et les batteries rechargeables ne sont pas à éliminer dans les déchets ménagers.
Les dispositifs électriques et les batteries sont à collecter séparément et à remettre à un centre de recyclage en vue de leur élimination dans le respect de l'environnement.
S'adresser aux autorités locales ou au détaillant spécialisé en vue de connaître l'emplacement des centres de recyclage et des points de collecte.



Direction de rotation



Vitesse de rotation nominale



Voltage



Courant continu



Marque de conformité européenne



Marque de conformité ukrainienne



Marque de conformité d'Eurasie

Numero di serie	4774 12 01...
Numero giri nominale000001-999999 20000 min ⁻¹



D=Dischi da taglio ø	76 mm
d=diam. Foro	10 mm
b=Spessore disco di taglio min. / max.....	1 mm / 2,8 mm

Massima profondità di taglio	16,3 mm
Tensione batteria	18 V
Peso secondo la procedura EPTA 01/2014 (2,0...6,0 Ah)	1,2...1,7 kg
Temperatura consigliata durante il lavoro	-18...+50 °C
Batterie consigliate	L1860R, L1850R, L1840R, L1830R, L1825R, L1820R, L1815R, L1820S
Caricatori consigliati.....	BL1218, BLK1218; AL1218G; AL18G

Informazioni sulla rumorosità/sulle vibrazioni (taglio su cemento)

Valori misurati conformemente alla norma EN 60 745. La misurazione A della pressione del livello sonoro di un utensile di solito deve essere

Livello di rumorosità (Incertezza della misura K=3dB(A)).....	102,0 dB (A)
Potenza della rumorosità (Incertezza della misura K=3dB(A)).....	91,0 dB (A)

Utilizzare le protezioni per l'udito!

Valori totali delle oscillazioni (somma di vettori in tre direzioni) misurati conformemente alla norma EN 60745

Valore di emissione dell'oscillazione a _{h,sg}	4,2 m/s ²
Incertezza della misura K=.....	1,5 m/s ²

AVVERTENZA

Il livello di vibrazioni indicato nelle presenti istruzioni è stato misurato in conformità con un procedimento di misurazione codificato nella EN 60745 e può essere utilizzato per un confronto tra attrezzi elettrici. Inoltre si può anche utilizzare per una valutazione preliminare della sollecitazione da vibrazioni.

Il livello di vibrazioni indicato rappresenta le applicazioni principali dell'attrezzo elettrico. Se viceversa si utilizza l'attrezzo elettrico per altri scopi, con accessori differenti o con una manutenzione insufficiente, il livello di vibrazioni può risultare diverso. E questo può aumentare decisamente la sollecitazione da vibrazioni lungo l'intero periodo di lavorazione.

Ai fini di una valutazione precisa della sollecitazione da vibrazioni si dovrebbero tenere presente anche i periodi in cui l'apparecchio rimane spento oppure, anche se acceso, non viene effettivamente utilizzato. Ciò può ridurre notevolmente la sollecitazione da vibrazioni lungo l'intero periodo di lavorazione.

Stabilite misure di sicurezza supplementari per la tutela dell'operatore dall'effetto delle vibrazioni, come ad esempio: manutenzione dell'attrezzo elettrico e degli accessori, riscaldamento delle mani, organizzazione dei processi di lavoro.

⚠ AVVERTENZA! Leggere tutte le avvertenze di sicurezza, istruzioni operative, illustrazioni e specifiche fornite con questo elettroutensile. Il mancato rispetto delle istruzioni di seguito riportate può causare scosse elettriche, incendi e/o lesioni gravi.
Conservare tutte le avvertenze di pericolo e le istruzioni operative per ogni esigenza futura.

⚠ INDICAZIONI DI SICUREZZA PER SEGHE CIRCOLARI

- La cuffia di protezione facente parte del dispositivo elettrico deve essere fissata in sicurezza e deve essere regolata in maniera tale da garantire la massima sicurezza, cioè la parte della mola abrasiva esposta senza protezione verso l'operatore deve essere minima. L'operatore e le persone presenti nelle vicinanze non devono trovarsi nello stesso piano del disco levigatore. La cuffia di protezione ha lo scopo di proteggere l'operatore da frammenti e da contatto inavvertito con la mola abrasiva.
- Usare con il dispositivo elettrico esclusivamente dischi levigatori rinforzati legati o con rivestimento di diamante. Il semplice fatto che sia possibile fissare un determinato accessorio sul dispositivo elettrico non garantisce il suo uso in sicurezza.
- Il numero di giri ammesso dell'accessorio impiegato deve essere almeno tanto alto quanto il numero massimo di giri riportato sull'elettroutensile. Un accessorio che gira più rapidamente di quanto consentito può rompersi in vari pezzi e venir lanciato intorno.
- Utensili abrasivi possono essere utilizzati esclusivamente per le possibilità applicative esplicitamente

raccomandate. P. es.: Mai eseguire lavori di levigatura con la superficie laterale di un disco abrasivo da taglio diritto. Mole abrasive da taglio diritto sono previste per l'asportazione di materiale con il bordo del disco. Esercitando dei carichi laterali su questi utensili abrasivi vi è il pericolo di romperli.

- Utilizzare sempre flange di serraggio in condizioni perfette e di dimensioni adeguate al disco troncante scelto. La flangia corretta supporta il disco troncante, riducendo il pericolo di una rottura del disco troncante.
- Non utilizzare mai mole abrasive usurate previste per elettroutensili più grandi. Mole abrasive previste per elettroutensili più grandi non sono concepite per le maggiori velocità di elettroutensili più piccoli e possono rompersi.
- Diametro esterno e spessore dell'utensile utilizzato devono corrispondere alle indicazioni delle misure dell'utensile elettrico. Utensili dimensionati in maniera errata potrebbero essere non sufficientemente schermate oppure controllate,
- I dischi levigatori e le flange devono essere esattamente della stessa misura del dispositivo elettrico. Gli accessori che non siano esattamente della stessa misura dell'attrezzo di serraggio del dispositivo elettrico gireranno in maniera sbilanciata, vibreranno in maniera eccessiva e potranno causare la perdita di controllo.
- Non usare dischi levigatori danneggiati. Prima di ogni uso, controllare se sui dischi levigatori sono presenti scheggiature e incrinature. Qualora il dispositivo elettrico o il disco levigatore dovesse cadere, verificare se sono presenti danni o utilizzare un disco levigatore integro. Dopo avere controllato ed inserito un disco

levigatore, fare attenzione affinché sia l'operatore che le altre persone nelle vicinanze non si trovino nello stesso piano del disco levigatore rotante e fare girare il dispositivo per un minuto al massimo numero di giri. Dischi levigatori danneggiati si rompono prevalentemente durante tale periodo di test.

j) Indossare abbigliamento di protezione. A seconda dell'applicazione in corso utilizzare una visiera completa, mascherina di protezione per gli occhi oppure occhiali di sicurezza. Per quanto necessario, portare maschere per polveri, protezione acustica, guanti di protezione oppure un grembiule speciale in grado di proteggervi da piccole particelle di levigatura o di materiale. Gli occhi dovrebbero essere protetti da corpi estranei espulsi in aria nel corso di diverse applicazioni. La mascherina antipolvere e la mascherina respiratoria devono essere in grado di filtrare la polvere provocata durante l'applicazione. Esponendosi per lungo tempo ad un rumore troppo forte vi è il pericolo di perdere l'udito.

k) Prestare attenzione che le altre persone rispettino le distanze di sicurezza dalla zona di lavoro. Chi entra nella zona di lavoro deve indossare i dispositivi di protezione individuali. Eventuale particelle rotte del pezzo da lavorare oppure utensili rotti possono saltare via e causare ferite anche all'esterno della zona diretta del lavoro.

l) Eseguendo lavori, durante i quali l'accessorio di taglio potrebbe venire a contatto con fili sotto tensione nascosti, tenere sempre l'utensile elettrico per le superfici di presa isolate. In caso di contatto con un cavo sotto tensione, anche le parti metalliche dell'utensile elettrico possono condurre corrente ed esporre l'operatore al rischio di folgorazione.

m) Non depositare mai l'utensile elettrico, prima che questo non si sia fermato completamente. Utensili rotanti possono venire in contatto con la superficie d'appoggio, causando la perdita del controllo sull'utensile.

n) Mai trasportare l'elettrotensile mentre questo dovesse essere ancora in funzione. Attraverso un contatto casuale l'utensile in rotazione potrebbe fare presa sugli indumenti oppure sui capelli dell'operatore e potrebbe arrivare a ferire seriamente il corpo dell'operatore.

o) Pulire regolarmente le feritoie di ventilazione dell'elettrotensile in dotazione. Il ventilatore del motore attira polvere nella carcassa ed una forte raccolta di polvere di metallo può provocare pericoli di origine elettrica.

p) Non utilizzare mai utensili elettrici che richiedono refrigeranti liquidi. L'uso di acqua od altri refrigeranti liquidi possono causare scosse elettriche.

Ulteriori indicazioni di sicurezza per troncatrici

Contraccolpo e avvertenze sulla sicurezza in merito

Eventuali contraccolpi sono reazioni improvvise causate da dischi levigatori che si inceppano o si bloccano mentre sono in rotazione. Eventuali inceppamenti o bloccaggi comportano l'arresto improvviso dell'utensile ad inserto. In questa maniera un dispositivo elettrico non controllato viene accelerato, sul punto di bloccaggio, nella direzione opposta a quella dell'utensile ad inserto.

Se p. es. un disco abrasivo resta agganciato o bloccato nel pezzo in lavorazione, il bordo del disco abrasivo che si abbassa nel pezzo in lavorazione può rimanere impigliato provocando in questo modo una rottura oppure un contraccolpo del disco abrasivo. Il disco abrasivo si avvicina o si allontana dall'operatore a seconda della direzione di rotazione che ha nel momento in cui si blocca. In tali situazioni è possibile che le mole abrasive possano anche rompersi.

Un contraccolpo è la conseguenza di un utilizzo non appropriato oppure non corretto dell'elettrotensile. Esso può essere evitato soltanto prendendo misure adatte di sicurezza come dalla descrizione che segue.

a) Tenere sempre ben saldo l'elettrotensile e portare il proprio corpo e le proprie braccia in una posizione che Vi permetta di compensare le forze di contraccolpo. Se disponibile, utilizzare sempre l'impugnatura supplementare in modo da poter avere sempre il maggior controllo possibile su forze di contraccolpi oppure momenti di reazione che si sviluppano durante la fase in cui la macchina raggiunge il regime di pieno carico. Prendendo appropriate misure di precauzione l'operatore può essere in grado di tenere sotto controllo le forze di contraccolpo e quelle di reazione a scatti.

b) Mai avvicinare la propria mano alla zona degli utensili in rotazione. Nel corso dell'azione di contraccolpo il portautensili o accessorio potrebbe passare sulla Vostra mano.

c) Evitare di sostare davanti o dietro il disco levigatore rotante. Quando si verifica un contraccolpo, il dispositivo elettrico viene spinto nella direzione opposta a quella del movimento del disco levigatore sul punto di bloccaggio.

d) Operare con particolare attenzione in prossimità di spigoli, spigoli taglienti ecc.. Avere cura di impedire che portautensili o accessori possano rimbalzare dal pezzo in lavorazione oppure possano rimanervi bloccati. L'utensile in rotazione ha la tendenza a rimanere bloccato in angoli, spigoli taglienti oppure in caso di rimbalzo. Ciò provoca una perdita del controllo oppure un contraccolpo.

e) Non usare né lame a catena o a denti, né lame di diamante segmentate con tagli di larghezza superiore a 10 mm. I suddetti tipi di utensili ad inserto causano di frequente effetti di contraccolpo o la perdita del controllo sul dispositivo elettrico.

f) Evitare di far bloccare il disco abrasivo da taglio diritto oppure di esercitare una pressione troppo alta. Non eseguire tagli eccessivamente profondi. Sottoponendo la mola da taglio diritto a carico eccessivo se ne aumenta la sollecitazione e la si rende maggiormente soggetta ad angolature improprie o a blocchi venendo così a creare il pericolo di contraccolpo oppure di rottura dell'utensile abrasivo.

g) Qualora il disco abrasivo da taglio diritto dovesse incepparsi oppure si dovesse interrompere il lavoro, spegnere l'elettrotensile e tenerlo fermo fino a quando il disco si sarà fermato completamente. Non tentare mai di estrarre il disco abrasivo dal taglio in esecuzione perché si potrebbe provocare un contraccolpo. Rilevare ed eliminare la causa per il blocco.

h) Mai rimettere l'elettrotensile in funzione fintanto che esso si trovi ancora nel pezzo in lavorazione. Prima di continuare ad eseguire il taglio procedendo con la dovuta attenzione, attendere che il disco abrasivo da taglio diritto abbia raggiunto la massima velocità. In caso contrario è possibile che il disco resti agganciato, sbalzi dal pezzo in lavorazione oppure provochi un contraccolpo.

i) Dotare di un supporto adatto pannelli oppure pezzi in lavorazione di dimensioni maggiori in modo da ridurre il rischio di un contraccolpo dovuto ad un disco abrasivo da taglio diritto che rimane bloccato. Pezzi in lavorazione di dimensioni maggiori possono piegarsi sotto l'effetto del proprio peso. Provvedere a munire il pezzo in lavorazione di supporti adatti al caso specifico sia nelle vicinanze del taglio di troncatrice che in quelle del bordo.

j) Operare con particolare attenzione in caso di «tagli dal centro» da eseguire in pareti già esistenti oppure in altre parti non visibili. Il disco abrasivo da taglio diritto che inizia il taglio sul materiale può provocare un contraccolpo se dovesse arrivare a troncare condutture del gas o dell'acqua, linee elettriche oppure oggetti di altro tipo.

ULTERIORI AVVISI DI SICUREZZA E DI LAVORO

Il numero di giri ammesso dell'accessorio impiegato deve essere almeno tanto alto quanto il numero massimo di giri riportato sull'elettrotensile.

Un accessorio che gira più rapidamente di quanto consentito può rompersi in vari pezzi e venir lanciato intorno.

Usare dispositivi di protezione. Durante il lavoro con la macchina bisogna sempre portare occhiali di protezione. Si consiglia di indossare indumenti di protezione come maschera antipolvere, guanti di protezione, scarpe antiscivolo robuste, casco e cuffie di protezione acustica.

La polvere che si produce durante il lavoro è spesso dannosa per la salute e non dovrebbe essere aspirata. Portare un'adeguata mascherina protettiva.

E' vietato lavorare materiali che possono costituire pericoli alla salute (ad es. amianto).

Spegnere immediatamente il dispositivo in caso di bloccaggio! Non riaccendere il dispositivo fino a quando l'utensile ad inserto resta bloccato; esiste il rischio di causare un contraccolpo con elevato momento di reazione. Rilevare ed eliminare la causa del bloccaggio dell'utensile ad inserto tenendo conto delle indicazioni di sicurezza.

Le possibili cause sono:

- Incastro nel pezzo in lavorazione
- Il dispositivo ha attraversato il materiale da lavorare rompendolo
- Il dispositivo elettrico è stato sovraccaricato

Non avvicinare le mani alla parte della macchina in movimento.

Durante l'uso l'utensile ad inserto può surriscaldarsi.

- durante la sostituzione dell'utensile
- durante il deposito dell'utensile

Forando pareti, soffitti o pavimenti, si faccia attenzione ai cavi elettrici e alle condutture dell'acqua e del gas.

Prima di iniziare togliere la batteria dalla macchina.

Non gettare le batterie esaurite sul fuoco o nella spazzatura di casa. La AEG offre infatti un servizio di recupero batterie usate.

Nel vano d'innesto per la batteria del caricatore non devono entrare parti metalliche.(pericolo di cortocircuito).

Le batterie del System GBS sono ricaricabili esclusivamente con i caricatori del System GBS. Le batterie di altri sistemi non possono essere ricaricate.

Non aprire nè la batteria nè il caricatore e conservarli solo in luogo asciutto. Proteggerli dalla umidità.

Nel caso di batterie danneggiate da un carico eccessivo o da temperature alte, l'acido di queste potrebbe fuoriuscire. In caso di contatto con l'acido delle batterie lavarsi immediatamente con acqua e sapone. In caso di contatto con gli occhi risciacquare immediatamente con acqua per almeno 10 minuti e contattare subito un medico.

Attenzione! Per ridurre il rischio d'incendio, di lesioni o di danni al prodotto causati da corto circuito, non immergere mai l'utensile, la batteria ricaricabile o il carica batterie in un liquido e non lasciare mai penetrare alcun liquido all'interno dei dispositivi e delle batterie. I fluidi corrosivi o conduttori come acqua salata, alcuni agenti chimici, agenti candeggianti o prodotti contenenti agenti candeggianti potrebbero provocare un corto circuito.

UTILIZZO CONFORME

Questo strumento di taglio è destinato a essere utilizzato per tagliare materiali diversi.

Utilizzare il prodotto solo per l'uso per cui è previsto.

Per ridurre al minimo il rischio di lesioni, usare esclusivamente dischi diamantati del tipo 1 con spessore massimo di 2,8 mm e che possano essere usati in sicurezza fino ad un numero di giri di almeno 20.000 min⁻¹. I dischi del tipo 1 sono adatti soltanto per la molatura frontale, non per la molatura di superfici. Si prega di rispettare tutte le avvertenze di sicurezza fornite insieme ai dischi da taglio.

Usare il riepilogo sottostante per la scelta del disco idoneo. A seconda del materiale occorre utilizzare dischi diversi. Attenersi alle istruzioni d'uso fornite dal produttore dei dischi.

Tipo di disco	Per molare/tagliare
Dischi al carburo	Cartongesso, materiale sintetico
Dischi da taglio	Acciaio, acciaio inox, materiali non ferrosi
Dischi diamantati	Piastrelle, cemento, laterizi, ceramica, cemento fibrato

PROTEZIONE DAI SOVRACCARICHI

In caso di forte sovraccarico del motore scatta la protezione contro il sovraccarico. Per poter continuare a lavorare, disattivare la macchina e poi riattivarla.

DICHIARAZIONE DI CONFORMITÀ CE

Dichiariamo sotto la nostra esclusiva responsabilità che il prodotto descritto ai „Dati tecnici“ corrisponde a tutte le disposizioni delle direttive 2011/65/EU (RoHS), 2014/30/UE, 2006/42/CE e successivi documenti normativi armonizzati:

EN 60745-1:2009+A11:2010
EN 60745-2-22:2011+A11:2013
EN 55014-1:2017+A11:2020
EN 55014-2:2015
EN IEC 63000:2018

Winnenden, 2020-06-30



Alexander Krug
Managing Director



Autorizzato alla preparazione della documentazione tecnica

Techtronic Industries GmbH
Max-Eyth-Straße 10
71364 Winnenden
Germany

BATTERIE

Batterie non utilizzate per molto tempo devono essere ricaricate prima dell'uso.

A temperature superiori ai 50°C, la potenza della batteria si riduce.

Evitare di esporre l'accumulatore a surriscaldamento prolungato, dovuto ad esempio ai raggi del sole o ad un impianto di riscaldamento.

Per una durata di vita ottimale, dopo l'uso le batterie devono essere completamente ricaricate.

caricabatterie quando saranno cariche.

In caso di immagazzinaggio della batteria per più di 30 giorni:

Immagazzinare la batteria a circa 27°C in ambiente asciutto.

Immagazzinare la batteria con carica di circa il 30% - 50%.
Ricaricare la batteria ogni 6 mesi.

DISPOSITIVO ANTISOVRACCARICO ACCUMULATORE

Il gruppo accumulatore è equipaggiato con un dispositivo antisovraccarico, che protegge l'accumulatore da qualsiasi sovraccarico e assicura un'elevata durata di vita. In caso di sollecitazione estremamente elevata, l'elettronica dell'accumulatore spegne la macchina automaticamente. Per poter continuare a lavorare bisogna spegnere e riaccendere la macchina. Se la macchina non dovesse riavviarsi, il gruppo accumulatore potrebbe essere scarico e va ricaricato nel carica-batteria.

TRASPORTO DI BATTERIE AGLI IONI DI LITIO

Le batterie agli ioni di litio sono soggette alle disposizioni di legge sul trasporto di merce pericolosa.

Il trasporto di queste batterie deve avvenire rispettando le disposizioni e norme locali, nazionali ed internazionali.

- Gli utilizzatori possono trasportare queste batterie su strada senza alcuna restrizione.
- Il trasporto commerciale di batterie agli ioni di litio è regolato dalle disposizioni sul trasporto di merce pericolosa. Le preparazioni al trasporto ed il trasporto stesso devono essere svolti esclusivamente da persone idoneamente istruite. Tutto il processo deve essere gestito in maniera professionale.

Durante il trasporto di batterie occorre tenere conto di quanto segue:

- Assicurarsi che i contatti siano protetti ed isolati per evitare corto circuiti.
- Accertarsi che il gruppo di batterie non possa spostarsi all'interno dell'imballaggio.
- Batterie danneggiate o batterie che perdono liquido non devono essere trasportate.

Per ulteriori informazioni si prega di contattare il proprio trasportatore.

MANUTENZIONE

Tener sempre ben pulite le fessure di ventilazione dell'apparecchio.

Assicurarsi di aver scollegato l'utensile dall'alimentazione prima di collegarlo o prima di rimuovere la lama.

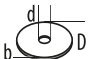
Pulire l'apparecchio ed il dispositivo di protezione con un panno asciutto. Alcuni detergenti danneggiano materiali sintetici o altre parti isolanti. Tenere l'apparecchio pulito ed asciutto, nonché libero da oli e grassi fuoriusciti. Controllare il funzionamento delle cuffie di protezione. Una regolare manutenzione e pulizia permettono una lunga vita utile ed un uso sicuro.

Usare solo accessori AEG e pezzi di ricambio AEG. Gruppi costruttivi la cui sostituzione non è stata descritta, devono essere fatti cambiare da un punto di servizio di assistenza tecnica al cliente AEG (vedi depliant garanzia/indirizzi assistenza tecnica ai clienti).

In caso di necessità è possibile richiedere un disegno esploso del dispositivo indicando il modello della macchina ed il numero a sei cifre sulla targa di potenza rivolgendosi al centro di assistenza tecnica o direttamente a Techtronic Industries GmbH, Max-Eyth-Straße 10, 71364 Winnenden, Germany.

SIMBOLI

	ATTENZIONE! AVVERTENZA! PERICOLO!
	Prima di iniziare togliere la batteria dalla macchina.
	Leggere attentamente le istruzioni per l'uso prima di mettere in funzione l'elettro utensile.
	Indossare guanti protettivi!
	Utilizzare le protezioni per l'udito! Durante l'uso dell'apparecchio utilizzare sempre gli occhiali di protezione. Portare un'adeguata mascherina protettiva.
	Accessorio - Non incluso nella dotazione standard, disponibile a parte come accessorio.
	I dispositivi elettrici, le batterie e le batterie ricaricabili non devono essere smaltiti con i rifiuti domestici. I dispositivi elettrici e le batterie devono essere raccolti separatamente e devono essere conferiti ad un centro di riciclaggio per lo smaltimento rispettoso dell'ambiente. Chiedere alle autorità locali o al rivenditore specializzato dove si trovano i centri di riciclaggio e i punti di raccolta.
	Direzione di rotazione
	Numero giri nominale
	Voltaggio
	Corrente continua
	Marchio di conformità europeo
	Marchio di conformità ucraino
	Marchio di conformità euroasiatico

Número de producción	4774 12 01...
Revoluciones nominales.....	...000001-999999 20000 min ⁻¹
 D=Diámetro del disco tronizador	76 mm
d=∅ del taladro.....	10 mm
b=Espesor de la muela de tronzar mín. / máx.....	1 mm / 2,8 mm
Profundidad de corte máx.	16,3 mm
Voltaje de batería.....	18 V
Peso de acuerdo con el procedimiento EPTA 01/2014 (2.0...6.0 Ah).....	1,2...1,7 kg
Temperatura ambiente recomendada durante el trabajo.....	-18...+50 °C
Tipos de acumulador recomendados	L1860R, L1850R, L1840R, L1830R, L1825R, L1820R, L1815R, L1820S
Cargadores recomendados	BL1218, BLK1218; AL1218G; AL18G

Información sobre ruidos / vibraciones (corte de hormigón)

Determinación de los valores de medición según norma EN 60 745.

La presión acústica se eleva normalmente

Presión acústica (Tolerancia K=3dB(A))..... 102,0 dB (A)

Resonancia acústica (Tolerancia K=3dB(A))..... 91,0 dB (A)

Usar protectores auditivos!

Nivel total de vibraciones (suma vectorial de tres direcciones)

determinado según EN 60745.

Valor de vibraciones generadas a_{h,SG}..... 4,2 m/s²

Tolerancia K=..... 1,5 m/s²

ADVERTENCIA

El nivel vibratorio indicado en estas instrucciones ha sido medido conforme a un método de medición estandarizado en la norma EN 60745, y puede utilizarse para la comparación entre herramientas eléctricas. También es apropiado para una estimación provisional de la carga de vibración.

El nivel vibratorio indicado representa las aplicaciones principales de la herramienta eléctrica. Si, pese a ello, se utiliza la herramienta eléctrica para otras aplicaciones, con útiles adaptables diferentes o con un mantenimiento insuficiente, el nivel vibratorio puede diferir. Esto puede incrementar sensiblemente la carga de vibración durante todo el periodo de trabajo.

Para una estimación exacta de la carga de vibración deberían tenerse en cuenta también los tiempos durante los que el aparato está apagado o, pese a estar en funcionamiento, no está siendo realmente utilizado. Esto puede reducir sustancialmente la carga de vibración durante todo el periodo de trabajo.

Adopte medidas de seguridad adicionales para la protección del operador frente al efecto de las vibraciones, como por ejemplo: mantenimiento de la herramienta eléctrica y de los útiles adaptables, mantener las manos calientes, organización de los procesos de trabajo.

⚠ ADVERTENCIA: Lea todas las advertencias de peligro, instrucciones, ilustraciones y especificaciones suministradas con esta herramienta eléctrica. En caso de no atenerse a las instrucciones siguientes, ello puede ocasionar una descarga eléctrica, un incendio y/o lesión grave.

Guardar todas las advertencias de peligro e instrucciones para futuras consultas.

⚠ INSTRUCCIONES DE SEGURIDAD PARA SIERRAS CIRCULARES

a) La caperuza protectora perteneciente a la herramienta eléctrica deberá montarse firmemente y orientarse de tal modo que ofrezca una seguridad máxima, o sea, cubriendo al máximo la parte del útil a la que queda expuesta el usuario. Sitúese usted y las personas circundantes fuera del plano de rotación del disco. La caperuza protectora debe proteger al usuario de los fragmentos que puedan desprenderse del útil y del contacto accidental con el disco tronizador.

b) Utilice exclusivamente discos tronzadores sujetos y reforzados o diamantados en su herramienta eléctrica. El mero hecho de que el accesorio encaje en su herramienta eléctrica no garantiza un uso seguro.

c) Las revoluciones admisibles del útil deberán ser como mínimo iguales a las revoluciones máximas indicadas en la herramienta eléctrica. Aquellos accesorios que giren a unas revoluciones mayores a las admisibles pueden llegar a romperse y salir despedidos.

d) Solamente emplee el útil para aquellos trabajos para los que fue concebido. Por ejemplo, no emplee las caras de los discos tronzadores para amolar. En los útiles de tronzar, el arranque de material se lleva a cabo con los bordes del disco. Si estos útiles son sometidos a un esfuerzo lateral, ello puede provocar su rotura.

e) Para el disco de tronzado por usted seleccionado use siempre bridas de sujeción que no tengan daños y que tengan el tamaño correcto. Las bridas apropiadas apoyan el disco de tronzado reduciendo así el peligro de una ruptura del disco de tronzado.

f) No intente aprovechar los discos amoladores de otras herramientas eléctricas más grandes, aunque su diámetro exterior se haya reducido suficientemente por el desgaste. Los discos amoladores destinados para herramientas eléctricas grandes no son aptos para soportar las velocidades periféricas más altas a las que trabajan las herramientas eléctricas más pequeñas, y pueden llegar a romperse.

g) El diámetro exterior y el grosor de la herramienta intercambiable tienen que corresponder con las medidas de su herramienta eléctrica. Las herramientas intercambiables mal medidas no pueden ser lo suficientemente apantalladas ni controladas.

h) El diámetro de alojamiento de los discos y de las bridas deberá ajustar exactamente en el husillo de su herramienta eléctrica. Los útiles que no ajusten correctamente sobre el husillo de la herramienta eléctrica, al girar descentrados, generan unas vibraciones excesivas y pueden hacerle perder el control sobre el aparato.

i) **No emplee discos dañados.** Antes de cada utilización inspeccione si los discos están desportillados o fisurados. Si se le cae la herramienta eléctrica o el disco, inspeccione si éste ha sufrido algún daño o monte otro disco en correctas condiciones. Una vez inspeccionado y montado el disco sitúese usted y las personas circundantes fuera del plano de rotación del disco y deje funcionar la herramienta eléctrica en vacío, a las revoluciones máximas, durante un minuto. Por regla general, los discos dañados suelen romperse al realizar esta comprobación.

j) **Utilice un equipo de protección personal.** Dependiendo del trabajo a realizar use una careta, una protección para los ojos, o unas gafas de protección. Si procede, emplee una mascarilla antipolvo, protectores auditivos, guantes de protección o un mandil especial adecuado para protegerle de los pequeños fragmentos que pudieran salir proyectados al desprenderse del útil o pieza. Las gafas de protección deberán ser indicadas para protegerle de los fragmentos que pudieran salir despedidos al trabajar. La mascarilla antipolvo o respiratoria deberá ser apta para filtrar las partículas producidas al trabajar. La exposición prolongada al ruido puede provocar sordera.

k) **Preste atención a que otras personas se encuentren a una distancia segura referente a su campo de trabajo.** Cada persona que pase a su campo de trabajo, tiene que usar un equipo protector personal. Trozos de la pieza por trabajar o de herramientas intercambiables rotas pueden volar y causar lesiones también fuera del campo de trabajo directo.

l) **Coger la herramienta eléctrica por las superficies aisladas de la empuñadura siempre que se realicen trabajos en los que el accesorio de corte pueda entrar en contacto con cables ocultos conductores de corriente.** Si se produce un contacto con un cable conductor de corriente es posible que las partes de metal de la herramienta eléctrica también pasen a conducir corriente y provoquen una descarga eléctrica en el operador.

m) **No deposite jamás la herramienta eléctrica antes de que la herramienta intercambiable haya dejado de girar por completo.** La herramienta intercambiable que aún está girando puede entrar en contacto con la superficie de deposición, con lo que usted puede perder el control sobre la herramienta eléctrica.

n) **No deje funcionar la herramienta eléctrica mientras la transporta.** El útil en funcionamiento podría lesionarle al engancharse accidentalmente con su vestimenta.

o) **Limpie periódicamente las rejillas de refrigeración de su herramienta eléctrica.** El ventilador del motor aspira polvo hacia el interior de la carcasa, por lo que, en caso de una acumulación fuerte de polvo metálico, ello puede provocar una descarga eléctrica.

p) **No use herramientas intercambiables que requieran de líquidos refrigerantes.** El uso de agua o de otros líquidos refrigerantes pueden llevar a una electrocución.

Instrucciones de seguridad para aplicaciones de tronzado

Contragolpe y las correspondientes indicaciones de seguridad

El retroceso es una reacción brusca que se produce al atascarse o engancharse un disco en rotación. Al atascarse o engancharse el disco en funcionamiento, éste es frenado bruscamente. Ello puede hacerle perder el control sobre la herramienta eléctrica y hacer que ésta salga impulsada en dirección opuesta al sentido de giro que tenía el disco.

En el caso, p. ej., de que un disco amolador se atasque o bloquee en la pieza de trabajo, puede suceder que el canto del útil que penetra en el material se enganche, provocando la rotura del útil o el rechazo del aparato. Según el sentido de giro y la posición del útil en el

momento de bloquearse puede que éste resulte despedido hacia, o en sentido opuesto al usuario. En estos casos puede suceder que el útil incluso llegue a romperse.

El rechazo es ocasionado por la aplicación o manejo incorrecto de la herramienta eléctrica. Es posible evitarlo ateniéndose a las medidas preventivas que a continuación se detallan.

a) **Sujete con firmeza la herramienta eléctrica y mantenga su cuerpo y brazos en una posición propicia para resistir las fuerzas de reacción.** Si forma parte del aparato, utilice siempre la empuñadura adicional para poder soportar mejor las fuerzas del rechazo, además de los pares de reacción que se presentan en la puesta en marcha. El usuario puede controlar las fuerzas del rechazo y de reacción si toma unas medidas preventivas oportunas.

b) **Jamás aproxime su mano al útil en funcionamiento.** En caso de un rechazo, el útil podría lesionarle la mano.

c) **No se coloque delante o detrás del disco tronizador en funcionamiento, alineado con la trayectoria del corte.** El retroceso mueve la herramienta eléctrica en el sentido opuesto al movimiento del disco tronizador en el punto de bloqueo.

d) **Tenga especial precaución al trabajar esquinas, cantos afilados, etc.** Evite que el útil de amolar rebote contra la pieza de trabajo o que se atasque. En las esquinas, cantos afilados, o al rebotar, el útil en funcionamiento tiende a atascarse. Ello puede hacerle perder el control o causar un rechazo del útil.

e) **No utilice útiles dentados o para tala de madera, ni tampoco discos diamantados segmentados si el ancho de sus ranuras en la periferia es superior a 10 mm.** Estos útiles son propensos al retroceso y pueden hacerle perder el control sobre la herramienta eléctrica.

f) **Evite que se bloquee el disco tronizador y una presión de aplicación excesiva.** No intente realizar cortes demasiado profundos. Al solicitar en exceso el disco tronizador éste es más propenso a ladearse, bloquearse, a ser rechazado, o a romperse.

g) **Si el disco tronizador se bloquea, o si tuviese que interrumpir su trabajo, desconecte la herramienta eléctrica y manténgala en esa posición, sin moverla, hasta que el disco tronizador se haya detenido por completo.** Jamás intente sacar el disco tronizador en marcha de la ranura de corte, ya que ello podría provocar un rechazo. Investigue y subsane la causa del bloqueo.

h) **No intente proseguir el corte, estando insertado el disco tronizador en la ranura de corte.** Una vez fuera de la ranura de corte, espere a que el disco tronizador haya alcanzado las revoluciones máximas, y prosiga entonces el corte con cautela. En caso contrario el disco tronizador podría bloquearse, salirse de la ranura de corte, o resultar rechazado.

i) **Soporte las planchas u otras piezas de trabajo grandes para reducir el riesgo de bloqueo o rechazo del disco tronizador.** Las piezas de trabajo grandes tienden a curvarse por su propio peso. La pieza de trabajo deberá apoyarse desde abajo a ambos lados tanto cerca de la línea de corte como en los bordes.

j) **Proceda con especial cautela al realizar recortes "por inmersión" en paredes o superficies similares.** El disco tronizador puede ser rechazado al tocar tuberías de gas o agua, conductores eléctricos, u otros objetos.

INSTRUCCIONES ADICIONALES DE SEGURIDAD Y LABORALES

Las revoluciones admisibles del útil deberán ser como mínimo iguales a las revoluciones máximas indicadas en la herramienta eléctrica.

Aquellos accesorios que giren a unas revoluciones mayores a las admisibles pueden llegar a romperse y salir despedidos.

Utilice el equipamiento de protección. Mientras trabaje con la máquina lleve siempre gafas protectoras. Se recomienda utilizar ropa de protección como máscara protectora contra el polvo, guantes protectores, calzado resistente y antideslizante, casco y protección para los oídos.

El polvo que se produce durante estos trabajos puede ser nocivo a la salud; es por ello es aconsejable que no penetre al cuerpo. Utilice por ello una máscara protectora contra polvo.

No se deben trabajar materiales que conlleven un riesgo para la salud (por ej. amianto).

¡En caso de que se bloquee el útil, el aparato se debe desconectar inmediatamente! No vuelva a conectar el aparato, mientras el útil esté bloqueado; se podría producir un rechazo debido a la reacción de retroceso brusca. Averigüe y elimine la causa del bloqueo del útil, teniendo en cuenta las indicaciones de seguridad.

Causas posibles para ello pueden ser:

- Atascamiento o bloqueo en la pieza de trabajo
- Rotura del material con el que está trabajando
- Sobrecarga de la herramienta eléctrica

No introduzca las manos en la máquina mientras ésta se encuentra en funcionamiento.

El útil se puede calentar durante el uso.

- en caso de cambiar la herramienta
- en caso de depositar el aparato

Para trabajar en paredes, techo o suelo, tenga cuidado para evitar los cables eléctricos y tuberías de gas o agua.

Retire la batería antes de comenzar cualquier trabajo en la máquina.

No tire las baterías usadas a la basura ni al fuego. Los Distribuidores AEG ofrecen un servicio de recogida de baterías antiguas para proteger el medio ambiente.

No almacene la batería con objetos metálicos (riesgo de cortocircuito).

Recargar solamente los acumuladores del Sistema GBS en cargadores GBS. No intentar recargar acumuladores de otros sistemas.

No abra nunca las baterías ni los cargadores y guárdelos sólo en lugares secos. Protéjalos de la humedad en todo momento.

En caso de sobrecarga o alta temperatura, pueden llegar a producirse escapes de ácido provenientes de la batería. En caso de contacto con éste, limpie inmediatamente la zona con agua y jabón. Si el contacto es en los ojos, límpiense concienzudamente con agua durante 10 minutos y acuda inmediatamente a un médico

Advertencia! Para reducir el riesgo de incendio, lesión personales y daños al producto debido a un cortocircuito, no sumerja nunca la herramienta, el paquete de baterías o el cargador en líquido ni permita que fluya un fluido dentro de ellos. Los fluidos corrosivos o conductivos, como el agua de mar, ciertos productos quími-cos industriales y blanqueadores o lejías que contienen, etc., Pueden causar un cortocircuito.

APLICACIÓN DE ACUERDO A LA FINALIDAD

Esta herramienta de corte está diseñada para cortar diferentes materiales.

No utilice este producto para ninguna otra aplicación que no sea su uso normal.

Para minimizar el riesgo de lesiones, utilice solo discos abrasivos de diamante del tipo 1 con un grosor máximo de 2,8 mm, los cuales pueden funcionar de forma segura con una velocidad de giro mínima de 20.000 r.p.m. Los discos abrasivos del tipo 1 solo son adecuados para el rectificado de bordes, no de superficies. Tenga en cuenta todas las indicaciones de seguridad que se entregan junto con los discos abrasivos de corte.

Sírvase del siguiente resumen para seleccionar el disco abrasivo apropiado. Se han de utilizar distintos discos abrasivos dependiendo del material. Tenga en cuenta las indicaciones de uso del fabricante de discos abrasivos.

Tipo de disco	Para el rectificado de
Discos abrasivos de carburo	Cartón yeso, plástico
Discos abrasivos de corte	Acero, acero inoxidable, materiales no ferrosos
Discos abrasivos de diamante	Baldosas, hormigón, ladrillos, piezas de cerámica, fibrocemento

PROTECCIÓN CONTRA SOBRECARGA

En el caso de sobrecarga del motor, se activa la protección de sobrecarga. Para poder continuar con los trabajos, deberá desconectarse y conectarse nuevamente el motor.

DECLARACION DE CONFORMIDAD CE

Declaramos bajo nuestra responsabilidad que el producto descrito bajo „Datos técnicos“ está en conformidad con todas las normas relevantes de la directiva 2011/65/EU (RoHS), 2014/30/UE, 2006/42/CE y con las siguientes normas o documentos normalizados:

EN 60745-1:2009+A11:2010
EN 60745-2-22:2011+A11:2013
EN 55014-1:2017+A11:2020
EN 55014-2:2015
EN IEC 63000:2018

Winnenden, 2020-06-30

Alexander Krug
Managing Director



Autorizado para la redacción de los documentos técnicos.

Techtronic Industries GmbH
Max-Eyth-Straße 10
71364 Winnenden
Germany

BATERIA

Las baterías no utilizadas durante cierto tiempo deben ser recargadas antes de usar.

Las temperaturas superiores a 50°C reducen el rendimiento de la batería. Evite una exposición excesiva a fuentes de calor o al sol (riesgo de sobrecalentamiento).

Los puntos de contacto de los cargadores y las baterías se deben mantener limpios.

Para un tiempo de vida óptimo, deberán cargarse completamente las baterías después de su uso.

Para garantizar la máxima capacidad y vida útil, las baterías recargables se deberían retirar del cargador una vez finalizada la carga.

En caso de almacenar la batería recargable más de 30 días:

Almacenar la batería recargable en un lugar seco a una temperatura de aproximadamente 27°C.

Almacenar la batería recargable con un estado de carga del 30% y 50% aproximadamente.

Recargar la batería cada 6 meses.

PROTECCIÓN CONTRA SOBRECARGA DE LA BATERÍA

El paquete del acumulador está dotado de un dispositivo de protección contra la sobrecarga que asegura una prolongada vida útil.

En caso de esfuerzo extremadamente intenso, la electrónica del acumulador desconecta automáticamente la máquina. Para continuar trabajando, desconectar y conectar de nuevo la máquina. Si la máquina no se pone nuevamente en marcha, es posible que se haya descargado el acumulador por lo que deberá recargarse en el cargador.

TRANSPORTE DE BATERÍAS DE IONES DE LITIO

Las baterías de iones de litio caen bajo las disposiciones legales relativas al transporte de mercancías peligrosas.

El transporte de estas baterías recargables debe llevarse a cabo, observando las normas y disposiciones locales, nacionales e internacionales.

- Los consumidores pueden transportar estas baterías recargables sin el menor reparo en la calle.
- El transporte comercial de baterías recargables de iones de litio por empresas de transportes está sometido a las disposiciones del transporte de mercancías peligrosas. Las preparaciones para el envío y el transporte deben ser llevados a cabo exclusivamente por personas instruidas adecuadamente. El proceso completo debe ser supervisado por personal competente.

Los siguientes puntos se deben observar para el transporte de las baterías recargables:

- Se debe asegurar que los contactos estén protegidos y aislados para evitar que se produzcan cortocircuitos.
- Preste atención a que el conjunto de baterías recargables no se pueda desplazar dentro del envase.
- Las baterías recargables deterioradas o derramadas no se deben transportar.

Rogamos que para cualquier información adicional se dirija a su empresa de transportes.

MANTENIMIENTO

Las ranuras de ventilación de la máquina deben estar despejadas en todo momento.

Asegúrese de desconectar la herramienta de la fuente de alimentación antes de ajustar o retirar la hoja de sierra.

Limpie la herramienta y el dispositivo protector con un paño seco. Algunos detergentes dañan materiales sintéticos u otras partes aisladas. Mantenga la herramienta limpia, seca y libre de aceite y grasa emergente. Controle la función de las cubiertas protectoras. Un mantenimiento y una limpieza regular permitirán una larga vida y un manejo seguro de la herramienta.

Utilice solamente accesorios y repuestos AEG. En caso de necesitar reemplazar componentes no descritos, contacte con cualquiera de nuestras estaciones de servicio AEG (consultar lista de servicio técnicos)

Puede solicitar, en caso necesario, una vista despiezada del aparato bajo indicación del tipo de máquina y el número de seis dígitos en la placa indicadora de potencia en su Servicio de Postventa o directamente en Techtronic Industries GmbH, Max-Eyth-Straße 10, 71364 Winnenden, Germany.

SÍMBOLOS



¡ATENCIÓN! ¡ADVERTENCIA! ¡PELIGRO!



Retire la batería antes de comenzar cualquier trabajo en la máquina.



Lea las instrucciones detenidamente antes de conectar la herramienta



Usar guantes protectores



Usar protectores auditivos!
Para trabajar con la máquina, utilizar siempre gafas de protección.
Utilice por ello una máscara protectora contra polvo.



Accesorio - No incluido en el equipo estándar, disponible en la gama de accesorios.



Los electrodomésticos y las baterías/acumuladores no se deben eliminar junto con la basura doméstica. Los aparatos eléctricos y los acumuladores se deben recoger por separado y se deben entregar a una empresa de reciclaje para una eliminación respetuosa con el medio ambiente. Infórmese en las autoridades locales o en su tienda especializada sobre los centros de reciclaje y puntos de recogida.



Sentido de giro



Revoluciones nominales



Tensión



Corriente continua



Marcado de conformidad europeo

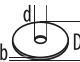


Marcado de conformidad ucraniano



Marcado de conformidad euroasiático

ESPAÑOL 39

Número de produção.....	4774 12 01...
Número de rotações nominal000001-999999 20000 min ⁻¹
 D=∅ dos rebolos de corte	76 mm
d=∅ do orifício	10 mm
b=Espessura do rebolo separador mín. / máx.....	1 mm / 2,8 mm
Profundidade de corte máx	16,3 mm
Tensão do acumulador	18 V
Peso nos termos do procedimento-EPTA 01/2014 (2.0...6,0 Ah)	1,2...1,7 kg
Temperatura ambiente recomendada ao trabalhar	-18...+50 °C
Tipos de baterias recomendadas	L1860R, L1850R, L1840R, L1830R, L1825R, L1820R, L1815R, L1820S
Carregadores recomendados.....	BL1218, BLK1218; AL1218G; AL18G

Informações sobre ruído/vibração (cortar betão)

Valores de medida de acordo com EN 60 745.	
Normalmente o nível de pressão de ruído da ferramenta é	
Nível da pressão de ruído (Incertez K=3dB(A))	102,0 dB (A)
Nível da potência de ruído (Incertez K=3dB(A)).....	91,0 dB (A)

Use protectores auriculares!

Valores totais de vibração (soma dos vectores das três direcções) determinadas conforme EN 60745.	
Valor de emissão de vibração a _{n,se}	4,2 m/s ²
Incerteza K=	1,5 m/s ²

ATENÇÃO

O nível vibratório indicado nestas instruções foi medido em conformidade com um procedimento de medição normalizado na EN 60745 e pode ser utilizado para comparar entre si ferramentas eléctricas. O mesmo é também adequado para avaliar provisoriamente o esforço vibratório.

O nível vibratório indicado representa as principais aplicações da ferramenta eléctrica. Se, no entanto, a ferramenta eléctrica for utilizada para outras aplicações, com outras ferramentas adaptadas ou uma manutenção insuficiente, o nível vibratório poderá divergir. Isto pode aumentar consideravelmente o esforço vibratório ao longo de todo o período do trabalho.

Para uma avaliação exacta do esforço vibratório devem também ser considerados os tempos durante os quais o aparelho está desligado ou está a funcionar, mas não está efectivamente a ser utilizado. Isto pode reduzir consideravelmente o esforço vibratório ao longo de todo o período do trabalho.

Defina medidas de segurança suplementares para proteger o operador do efeito das vibrações, como por exemplo: manutenção da ferramenta eléctrica e das ferramentas adaptadas, manter as mãos quentes, organização das seqüências de trabalho.

⚠ ADVERTÊNCIA Devem ser lidas todas as advertências de segurança, instruções, ilustrações e especificações fornecidas com esta ferramenta eléctrica. O desrespeito das advertências e instruções apresentadas abaixo pode causar choque eléctrico, incêndio e/ou graves lesões.
Guarde bem todas as advertências e instruções para futura referência.

⚠ INSTRUÇÕES DE SEGURANÇA PARA SERRAS CIRCULARES

- a) A tampa de protecção que faz parte da ferramenta eléctrica deve ser fixada seguramente e ajustada, de forma que um máximo de segurança seja obtido, ou seja, a menor parte do corpo abrasivo não coberta mostre para o operador. O utilizador e as pessoas que se encontrem na proximidade devem manter-se fora do nível do disco abrasivo em rotação. A tampa de protecção deve proteger o utilizador contra peças quebradas e o contacto accidental com o corpo abrasivo.
- b) Use somente discos de corte de liga, reforçados ou diamantados para a sua ferramenta eléctrica. Só porque o acessório pode ser fixado na sua ferramenta eléctrica, isto não significa que uma utilização segura é garantida.
- c) As rotações admissíveis da ferramenta de trabalho devem ser pelo menos tão elevadas como as rotações máximas indicadas na ferramenta eléctrica. Os acessórios que rodam mais rapidamente do que o permitido podem partir-se e ser projectados.

d) Os corpos abrasivos só devem ser utilizados para as aplicações recomendadas. P. ex.: Jamais lixar com a superfície lateral de um disco de corte. Disco de corte são destinados para o desbaste de material com o canto do disco. Uma força lateral sobre estes corpos abrasivos pode quebrá-los.

e) Utilize sempre flanges de tensionamento não danificados no tamanho certo para o disco de corte seleccionado por si. As flanges adequadas apoiam o disco de corte e reduzem, deste modo, o perigo de uma quebra do disco de corte.

f) Não utilizar discos abrasivos gastos de outras ferramentas eléctricas maiores. Discos abrasivos para ferramentas eléctricas maiores não são apropriados para os números de rotação mais altos de ferramentas eléctricas menores e podem quebrar.

g) O diâmetro exterior e a espessura da ferramenta de trabalho devem corresponder às dimensões da sua ferramenta eléctrica. As ferramentas eléctricas com as dimensões erradas não podem ser suficientemente protegidas ou controladas.

h) Os discos abrasivos e os flanges devem caber exactamente no fuso de esmerilhamento da sua ferramenta eléctrica. Ferramentas de trabalho que não caibam exactamente no fuso de esmerilhamento da ferramenta eléctrica, giram de forma irregular, vibram muito e podem levar à perda do controlo.

i) Não use discos abrasivos danificados. Antes de cada utilização, verifique se os discos abrasivos estão lascados ou fissurados. Se a ferramenta eléctrica ou o

disco abrasivo cair, verifique se está danificado ou use um disco abrasivo não danificado. Depois de controlar e inserir o disco abrasivo, o utilizador e pessoas que se encontrem na proximidade devem manter-se fora do nível do disco abrasivo rotativo. Deixe o aparelho operar por um minuto com o número de rotações máximo. Geralmente, discos abrasivos danificados quebram durante este período de teste.

j) Utilizar um equipamento de protecção pessoal. De acordo com a aplicação, deverá utilizar uma protecção para todo o rosto, protecção para os olhos ou um óculos protector. Se for necessário, deverá utilizar uma máscara contra pó, protecção auricular, luvas de protecção ou um avental especial, para proteger-se de pequenas partículas de amoladura e de material. Os olhos devem ser protegidos contra partículas a voar, produzidas durante as diversas aplicações. A máscara contra pó ou a máscara de respiração deve ser capaz de filtrar o pó produzido durante a respectiva aplicação. Se for sujeito durante longo tempo a fortes ruídos, poderá sofrer a perda da capacidade auditiva.

k) Quanto às outras pessoas, preste atenção a uma distância segura em relação à sua área de trabalho. Qualquer pessoa que acesse à área de trabalho deve usar equipamento de protecção pessoal. Os fragmentos do material a trabalhar das ferramentas de trabalho partidas podem voar e provocar ferimentos, mesmo fora da área de trabalho directa.

l) Durante trabalhos, nos quais o acessório de corte pode entrar em contacto com linhas eléctricas sob tensão ocultas, sempre segure a ferramenta eléctrica nos punhos isolados. Em caso de contacto com cabos eléctricos sob tensão, as peças metálicas da ferramenta eléctrica também podem ficar sob tensão e provocar um choque eléctrico do utilizador.

m) Nunca pouse a ferramenta eléctrica antes de a ferramenta de trabalho parar completamente. A ferramenta de trabalho rotativa pode entrar em contacto com a área de apoio, podendo perder o controlo sobre a ferramenta eléctrica.

n) Não permitir que a ferramenta eléctrica funcione enquanto estiver a transportá-la. A sua roupa pode ser agarrada devido a um contacto accidental com a ferramenta de trabalho em rotação, de modo que a ferramenta de trabalho possa ferir o seu corpo.

o) Limpar regularmente as aberturas de ventilação da sua ferramenta eléctrica. A ventoinha do motor puxa pó para dentro da carcaça, e uma grande quantidade de pó de metal pode causar perigos eléctricos.

p) Não utilize ferramentas de trabalho que precisam de líquidos de refrigeração líquidos. A utilização de água ou outros líquidos de refrigeração líquidos pode provocar um choque eléctrico.

Outras instruções de segurança para aplicações de rectificação de corte

Repercussão e respectivas indicações de segurança

O contra-golpe é a reacção repentina, devido a um disco abrasivo em rotação emperrado ou bloqueado. O emperramento ou o bloqueio levam a uma parada repentina da ferramenta rotativa utilizada. Isto acelera a ferramenta eléctrica descontrolada contra o sentido de rotação da ferramenta utilizada no ponto do bloqueio.

Se por exemplo um disco abrasivo travar ou bloquear numa peça a ser trabalhada, o canto do disco abrasivo pode mergulhar na peça a ser trabalhada e encravar-se, quebrando o disco abrasivo ou causando um contra-golpe. O disco abrasivo se movimentar então no sentido do operador ou para longe deste, dependendo do sentido de rotação do disco no local do bloqueio. Sob estas condições os discos abrasivos também podem partir-se.

Um contra-golpe é a consequência de uma utilização incorrecta ou indevida da ferramenta eléctrica. Ele pode ser evitado por apropriadas medidas de precaução como descrito a seguir.

a) Segurar firmemente a ferramenta eléctrica e posicionar o seu corpo e os braços de modo que possa resistir às forças de um contra-golpe. Sempre utilizar o punho adicional, se existente, para assegurar o máximo controlo possível sobre as forças de um contra-golpe ou sobre momentos de reacção durante o arranque. O operador pode controlar as forças de contra-golpe e as forças de reacção através de medidas de precaução apropriadas.

b) Jamais permita que as suas mãos se encontrem perto de ferramentas de trabalho em rotação. No caso de um contra-golpe a ferramenta de trabalho poderá passar pela sua mão.

c) Evite a área em frente e atrás do disco de corte em rotação. O contra-golpe leva a ferramenta eléctrica para a direcção oposta ao movimento do disco abrasivo no ponto de bloqueio.

d) Trabalhar com especial cuidado na área ao redor de esquinas, cantos afiados etc. Evite que ferramentas de trabalho sejam ricocheteadas e travadas pela peça a ser trabalhada. A ferramenta de trabalho em rotação tende a travar em esquinas, em cantos afiados ou se for ricocheteada. Isto causa uma perda de controlo ou um contra-golpe.

e) Não use uma corrente de serra ou uma lâmina da serra dentada ou um disco diamantado segmentado com fendas de mais de 10 mm de largura. Estas ferramentas levam frequentemente a um contra-golpe ou à perda do controlo sobre a ferramenta eléctrica.

f) Evitar um bloqueio do disco de corte ou uma força de pressão demasiado alta. Não efectuar cortes extremamente profundos. Uma sobrecarga do disco de corte aumenta o desgaste e a predisposição para emperrar e bloquear e portanto a possibilidade de um contra-golpe ou uma ruptura do corpo abrasivo.

g) Se o disco de corte emperrar ou se o trabalho for interrompido, deverá desligar a ferramenta eléctrica e mantê-la parada, até o disco parar completamente. Jamais tentar puxar o disco de corte para fora do corte enquanto ainda estiver em rotação, caso contrário poderá ser provocado um contra-golpe. Verificar e eliminar a causa do emperramento.

h) Não ligar novamente a ferramenta eléctrica, enquanto ainda estiver na peça a ser trabalhada. Permita que o disco de corte alcance o seu completo número de rotação, antes de continuar cuidadosamente a cortar. Caso contrário é possível que o disco emperre, pule para fora da peça a ser trabalhada ou cause um contra-golpe.

i) Apoiar placas ou peças grandes, para reduzir um risco de contra-golpe devido a um disco de corte emperrado. Peças grandes podem curvar-se devido ao próprio peso. A peça a ser trabalhada deve ser apoiada de ambos os lados, tanto nas proximidades do corte como também nos cantos.

j) Tenha o cuidado ao efectuar “Cortes de bolso” em paredes existentes ou em outras superfícies, onde não é possível reconhecer o que há por detrás. O disco de corte pode causar um contra-golpe se cortar accidentalmente tubulações de gás ou de água, cabos eléctricos ou outros objectos.

INSTRUÇÕES DE SEGURANÇA E TRABALHO SUPLEMENTARES

As rotações admissíveis da ferramenta de trabalho devem ser pelo menos tão elevadas como as rotações máximas indicadas na ferramenta eléctrica.

Os acessórios que rodam mais rapidamente do que o permitido podem partir-se e ser projectados.

Utilizar equipamento de protecção. Durante os trabalhos com a máquina, usar sempre óculos de protecção. Vestuário de protecção, bem como máscara de pó, sapatos fechados e antiderrapante, capacete e protecção auditiva são recomendados.

O pó que resulta ao trabalhar pode ser nocivo para a saúde, por isso não devendo penetrar no corpo. Use uma máscara de protecção contra pó apropriada.

Não devem ser procesados materiais que representem um perigo para a saúde (p. ex. asbesto).

Desligue o aparelho imediatamente, quando a ferramenta de inserção bloquear! Não ligue o aparelho novamente durante o bloqueio da ferramenta de inserção, pois isso pode levar a um recuo repentino com uma alta força reactiva. Verifique e elimine a causa do bloqueio da ferramenta de inserção, observando as instruções de segurança.

Causas possíveis podem ser:

- Emperramento na peça a trabalhar
- Material a processar rompido
- Sobrecarga da ferramenta eléctrica

Não toque na máquina em operação.

A ferramenta de inserção pode ficar quente durante a operação.

- na troca das ferramentas
- ao depositar o aparelho

Ao trabalhar em paredes, tectos e soalhos prestar atenção a que não sejam atingidos cabos eléctricos e canalizações de gás e água.

Antes de efectuar qualquer intervenção na máquina retirar o bloco acumulador.

Não queimar acumuladores gastos nem deitá-los no lixo doméstico. A AEG possui uma eliminação de acumuladores gastos que respeita o meio ambiente.

Não guardar acumuladores junto com objectos metálicos (perigo de curto-circuito).

Use apenas carregadores do Sistema GBS para recarregar os acumuladores do Sistema GBS. Não utilize acumuladores de outros sistemas.

Carregadores só devem ser utilizados em recintos secos.

Em caso de cargas ou temperaturas extremas, um acumulador de substituição danificado poderá verter líquido de bateria. Se entrar em contacto com este líquido, deverá lavar-se imediatamente com água e sabão. Em caso de contacto com os olhos, enxágue-os bem e de imediato durante pelo menos 10 minutos e consulte um médico o mais depressa possível.

Advertência! Para evitar o risco de incêndio, de feridas ou de danificação do produto causado por um curto-circuito, não imerja a bateria intercambiável ou o carregador em líquidos e assegure-se de que líquidos não penetrem nos aparelhos ou nas baterias. Líquidos corrosivos ou condutivos como água salgada, determinadas substâncias químicas e produtos que contenham branqueadores podem causar um curto-circuito.

UTILIZAÇÃO AUTORIZADA

Esta ferramenta de corte destina-se a ser usada para cortar diferentes materiais.

Não use este produto de outra maneira sem ser a normal para a qual foi concebido.

Para reduzir o risco de ferir-se, use somente rebolos diamantados do tipo 1 com uma espessura máxima de 2,8 mm, que podem ser operados seguramente com um número de rotações mínimo de 20.000 min⁻¹. Rebolos do tipo 1 só são apropriados para a lixagem lateral e não para lixar superfícies. Observe todas as instruções de segurança fornecidas com os discos de corte.

Use a seguinte visão geral para escolher o rebolo adequado. Rebolos diferentes devem ser usados, dependendo do material. Observe as instruções do fabricante de rebolos.

Tipo de rebolo	Para lixar
Rebolos de carboneto	Placas de gesso, plástico
Discos de corte	Aço, aço inoxidável, materiais não ferrosos
Rebolos diamantados	Ladrilhos, betão, tijolo, cerâmica, fibrocimento

PROTECÇÃO CONTRA SOBRECARGAS

Em caso de sobrecarga grande do motor, a protecção contra sobrecarga será activada. Para continuar a trabalhar, desligue e ligue a máquina novamente.

DECLARAÇÃO DE CONFORMIDADE CE

Declaramos sob responsabilidade exclusiva, que o produto descrito sob „Dados técnicos“ corresponde com todas as disposições relevantes da diretiva 2011/65/EU (RoHS), 2014/30/UE, 2006/42/CE e dos seguintes documentos normativos harmonizados.

EN 60745-1:2009+A11:2010
EN 60745-2-22:2011+A11:2013
EN 55014-1:2017+A11:2020
EN 55014-2:2015
EN IEC 63000:2018

Winnenden, 2020-06-30



Alexander Krug
Managing Director



Autorizado a reunir a documentação técnica.

Techtronic Industries GmbH
Max-Eyth-Straße 10
71364 Winnenden
Germany

ACUMULADOR

Acumuladores não utilizados durante algum tempo devem ser recarregados antes da sua utilização.

Temperaturas acima de 50°C reduzem a capacidade do bloco acumulador. Evitar exposição prolongada ao sol ou a caloríferos.

Manter limpos os contactos eléctricos no carregador e no bloco acumulador.

Para uma vida útil óptima dos acumuladores, terá que carregá-los plenamente após a sua utilização.

Para assegurar uma vida útil longa, o pacote de bateria deve ser removido da carregadora depois do carregamento.

Se o pacote de bateria for armazenado por mais de 30 dias:

Armazene o pacote de bateria com aprox. 27°C em um lugar seco.

Armazene o pacote de bateria com aprox. 30%-50% da carga completa.

Carregue o pacote de bateria novamente de 6 em 6 meses.

PROTECÇÃO DE SOBRECARGA DE BATERIA

As baterias estão equipadas com uma protecção contra sobrecarga, que as protege de uma sobrecarga e lhes conferem uma longa durabilidade. No caso de um esforço extremamente elevado a electrónica das baterias desliga automaticamente o aparelho. Para continuar a trabalhar desligar e voltar a ligar o aparelho. Se o aparelho não se voltar a ligar, é porque o conjunto das baterias está possivelmente descarregado e tem de voltar a ser carregado na carregadora.

TRANSPORTE DE BATERIAS DE IÃO-LÍTIO

Baterias de ião-lítio estão sujeitas às disposições da legislação relativa às substâncias perigosas.

O transporte destas baterias deve ser efetuado de acordo com as disposições e os regulamentos locais, nacionais e internacionais.

- O utilizador pode efetuar o transporte rodoviário destas baterias sem restrições.
- O transporte comercial de baterias de ião-lítio por terceiros está sujeito aos regulamentos relativos às substâncias perigosas. A preparação do transporte e o transporte devem ser executados exclusivamente por pessoas instruídas e o processo deve ser acompanhado pelos especialistas correspondentes.

Observe o seguinte no transporte de baterias:

- Assegure-se de que os contatos terminais estejam protegidos e isolados para evitar um curto-circuito.
- Assegure-se de que o bloco da bateria esteja protegido contra movimentos na embalagem.
- Não transporte baterias danificadas ou que tenham fuga.

Para instruções mais detalhadas consulte a companhia de transportes

MANUTENÇÃO

Mantém desobstruídos os rasgos de ventilação na carcaça da máquina.

Certifique-se que desliga a ferramenta da rede eléctrica antes de instalar ou remover a lâmina serra.

Limpe o aparelho e o dispositivo de protecção com um pano seco. Alguns detergentes danificam o plástico ou outras peças isoladas. Mantenha o aparelho limpo e seco e livre de óleo ou graxa que saiu. Verifique a função das tampas de protecção. Uma manutenção e limpeza em intervalos regulares cuida de uma longa vida útil e de um manejo seguro.

Utilizar apenas acessórios AEG e peças sobresselentes AEG. Os componentes cuja substituição não esteja descrita devem ser substituídos num serviço de assistência técnica AEG (consultar a brochura relativa à garantia/moradas dos serviços de assistência técnica).

Se for necessário, um desenho de explosão do aparelho pode ser solicitado do seu posto de assistência ao cliente ou directamente da Techtronic Industries GmbH, Max-Eyth-Straße 10, 71364 Winnenden, Alemanha, indicando o tipo da máquina e o número de seis posições na chapa indicadora da potência.

SYMBOLE



ATENÇÃO! PERIGO!



Antes de efectuar qualquer intervenção na máquina retirar o bloco acumulador.



Leia atentamente o manual de instruções antes de colocar a máquina em funcionamento.



Use luvas de protecção!



Use protectores auriculares!

Usar sempre óculos de protecção ao trabalhar com a máquina.

Use uma máscara de protecção contra pó apropriada.



Acessório - Não incluído no equipamento normal, disponível como acessório.



Aparelhos eléctricos, baterias/acumuladores não devem ser jogados no lixo doméstico. Os aparelhos eléctricos e as baterias devem ser colectados separadamente e entregues a uma empresa de reciclagem para a eliminação correcta. Solicite informações sobre empresas de reciclagem e postos de colecta de lixo das autoridades locais ou do seu vendedor autorizado.



Sentido de rotação

n

Número de rotações nominal

v

Tensão



Corrente contínua



Marca de Conformidade Europeia

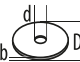


Marca de Conformidade Ucraniana



Marca de Conformidade Eurasiática

PORTUGUES 43

Productienummer	4774 12 01...
	...000001-999999
Nominaal toerental	20000 min ⁻¹
 D=Doorslijpschijven-ø	76 mm
d=Asgat-ø	10 mm
b=Dikte doorslijpschijven min. / max.....	1 mm / 2,8 mm
Max. schroefdiepte	16,3 mm
Spanning wisselakku	18 V
Gewicht volgens de EPTA-procedure 01/2014 (2,0...6,0 Ah)	1,2...1,7 kg
Aanbevolen omgevingstemperatuur tijdens het werken	-18...+50 °C
Aanbevolen accutypes	L1860R, L1850R, L1840R, L1830R, L1825R, L1820R, L1815R, L1820S
Aanbevolen laadtoestellen	BL1218, BLK1218; AL1218G; AL18G

Geluids-/trillingsinformatie (beton snijden)

Meetwaarden vastgesteld volgens EN 60 745. Het kenmerkende

A-gewaardeerde geluidsdruk niveau van de machine bedraagt

Geluidsdruk niveau (Onzekerheid K=3dB(A)) 102,0 dB (A)

Geluidsvermogen niveau (Onzekerheid K=3dB(A)) 91,0 dB (A)

Draag oorbeschermers!

Totale trillingswaarden (vectorsom van drie richtingen)

bepaald volgens EN 60745.

Trillingsemissiewaarde a_{h,SG}..... 4,2 m/s²

Onzekerheid K=..... 1,5 m/s²

WAARSCHUWING

De in deze aanwijzingen vermelde trillingsdruk is gemeten volgens een in EN 60745 genormeerde meetmethode en kan worden gebruikt voor de onderlinge vergelijking van apparaten. Hij is ook geschikt voor een voorlopige inschatting van de trillingsbelasting.

De aangegeven trillingsdruk geldt voor de meest gebruikelijke toepassingen van het elektrische apparaat. Wanneer het elektrische gereedschap echter voor andere doeleinden, met andere dan de voorgeschreven hulpstukken gebruikt of niet naar behoren onderhouden wordt, kan de trillingsdruk afwijken. Dit kan de waarde van de trillingsdruk over de hele werkperiode aanzienlijk verhogen.

Voor een nauwkeurige inschatting van de trillingsdruk moeten ook de tijden in aanmerking worden genomen dat het apparaat uitgeschakeld is of weliswaar loopt, maar niet werkelijk in gebruik is. Dit kan de waarde van de trillingsdruk over de hele werkperiode aanzienlijk verminderen.

Bepaal extra veiligheidsmaatregelen ter bescherming van de bediener tegen de inwerking van trillingen, bijvoorbeeld: onderhoud van elektrische gereedschappen en apparaten, warmhouden van de handen, organisatie van de werkprocessen.

⚠ WAARSCHUWING! Lees alle veiligheidswaarschuwingen, voorschriften, afbeeldingen en specificaties voor dit elektrische gereedschap. Als de onderstaande waarschuwingen niet worden opgevolgd, kan dit een elektrische schok, brand of ernstig letsel tot gevolg hebben.
Bewaar alle waarschuwingen en voorschriften voor toekomstig gebruik.

⚠ VEILIGHEIDSLINSTRUCTIES VOOR CIRKELZAGEN

a) De bij het elektrische gereedschap behorende kap moet veilig bevestigd en zodanig ingesteld zijn dat een maximum aan veiligheid wordt bereikt, d.w.z. het kleinste mogelijke deel van de slijpschijf wijst open naar de gebruiker. Waarborg dat u zelf en andere personen buiten het bereik van de roterende slijpschijf blijven. De veiligheidskap moet de gebruiker tegen afgebroken stukken en toevallig contact met het slijpgereedschap beschermen.

b) Gebruik uitsluitend gebonden, versterkte doorslijpschijven of diamant-doorslijpschijven voor het elektrische gereedschap. Alleen het feit dat u het toebehoren op het elektrische gereedschap kunt bevestigen, garandeert nog geen veilig gebruik.

c) Het toelaatbare toerental van het inzetgereedschap moet minstens even hoog zijn als het maximale toerental dat op het elektrische gereedschap is aangegeven. Toebehoren dat sneller draait dan toegestaan, kan breken en in het rond vliegen.

d) Slijptoebehoren mag alleen worden gebruikt voor de geadviseerde toepassingsmogelijkheden. Bijvoorbeeld: slijp nooit met het zijvlak van een doorslijpschijf. Doorslijpschijven zijn bestemd voor materiaalafname met de rand van de schijf. Een zijwaartse krachtinwerking op dit slijptoebehoren kan het toebehoren breken.

e) Gebruik alleen onbeschadigde klemflenzen met de juiste maat voor de door u gekozen doorslijpschijf. Correcteflenzen steunen de doorslijpschijf en beperken zo het risico dat de schijf breekt.

f) Gebruik geen versleten slijpschijven van grotere elektrische gereedschappen. Slijpschijven voor grotere elektrische gereedschappen zijn niet geconstrueerd voor de hogere toerentalen van kleinere elektrische gereedschappen en kunnen breken.

g) De buitendiameter en de dikte van het inzetstuk dienen overeen te komen met de opgegeven maten van uw elektrische gereedschap. Inzetstukken met de verkeerde afmetingen kunnen niet voldoende worden afgeschermd of gecontroleerd.

h) Slijpschijven enflenzen moeten exact op de slijpspil van het elektrische gereedschap passen. Toebehoren dat niet exact op de slijpspil van het elektrische gereedschap past, draait ongelijkmatig, trilt sterk en kan controleverlies over het gereedschap veroorzaken.

i) Gebruik geen beschadigde slijpschijven. Controleer vóór ieder gebruik de slijpschijven op afsplinteringen en scheuren. Als het elektrische gereedschap of de slijpschijf op de grond valt, moet worden gecontroleerd of de schijf beschadigd is of moet een onbeschadigde

schijf worden gebruikt. Als u de slijpschijf gecontroleerd en geplaatst hebt, dienen u en in buurt aanwezige personen buiten het bereik van de roterende slijpschijf te blijven en moet het apparaat gedurende één minuut op maximaal toerental draaien. Beschadigde slijpschijven breken meestal gedurende deze testtijd.

j) Draag persoonlijke beschermende uitrusting. Gebruik afhankelijk van de toepassing een volledige gezichtsbescherming, oogbescherming of veiligheidsbril. Draag voor zover van toepassing een stofmasker, een gehoorbescherming, werkhandschoenen of een speciaal schoot dat kleine slijp- en materiaaldeeltjes tegenhoudt. Uw ogen moeten worden beschermd tegen wegvliegende deeltjes die bij verschillende toepassingen ontstaan. Een stof- of adembeschermingsmasker moet het bij de toepassing ontstaande stof filteren. Als u lang wordt blootgesteld aan luid lawaai, kan uw gehoor worden beschadigd.

k) Let erop dat andere personen op een veilige afstand van de werkplek blijven. Iedereen die de werkplek betreedt, dient persoonlijke beschermingsmiddelen te gebruiken. Brokstukken van het werkstuk of gebroken inzetstukken kunnen wegvliegen en ook buiten het directe werkbereik verwondingen veroorzaken.

l) Pak het elektrische gereedschap altijd vast aan de geïsoleerde handgrepen, wanneer u werkzaamheden uitvoert waarbij de slijpschijf met verdedkte stroomvoerende leidingen in contact zou kunnen komen. Bij contact met een stroomkabel kunnen ook de metalen onderdelen van het elektrische gereedschap onder spanning komen te staan en elektrische schokken veroorzaken.

m) Leg het elektrische gereedschap nooit neer, vóór het inzetstuk volledig tot stilstand is gekomen. Het draaiende inzetstuk kan in aanraking komen met de ondergrond, waardoor u de controle over het elektrische gereedschap kunt verliezen.

n) Laat het elektrische gereedschap niet lopen terwijl u het draagt. Uw kleding kan door toevallig contact met het draaiende inzetgereedschap worden meegenomen en het inzetgereedschap kan zich in uw lichaam boren.

o) Reinig regelmatig de ventilatieopeningen van het elektrische gereedschap. De motorventilator trekt stof in het huis en een sterke ophoping van metaalstof kan elektrische gevaren veroorzaken.

p) Gebruik geen inzetstukken waarvoor vloeibaar koelmiddel nodig is. Het gebruik van water of andere vloeibare koelmiddelen kan elektrische schokken veroorzaken.

Verdere veiligheidsinstructies voor doorslijpwerkzaamheden

Terugslag en bijbehorende veiligheidsinstructies

Een terugslag is de plotselinge reactie op een hakende of geblokkeerde slijpschijf. Haken of blokkeren leidt tot een abrupte stop van het roterende gereedschap. Een ongecontroleerd elektrisch gereedschap wordt hierdoor op de plaats van de blokkering tegen de draairichting van het gereedschap in versneld.

Als bijvoorbeeld een slijpschijf in het werkstuk vasthaakt of blokkeert, kan de rand van de slijpschijf die in het werkstuk invalt, zich vastgrijpen. Daardoor kan de slijpschijf uitbreken of een terugslag veroorzaken. De slijpschijf beweegt zich vervolgens naar de bediener toe of van de bediener weg, afhankelijk van de draairichting van de schijf op de plaats van de blokkering. Hierbij kunnen slijpschijven ook breken.

Een terugslag is het gevolg van het verkeerd gebruik of onjuiste gebruiksomstandigheden van het elektrische gereedschap. Terugslag kan worden voorkomen door geschikte voorzorgsmaatregelen, zoals hieronder beschreven.

a) Houd het elektrische gereedschap goed vast en breng uw lichaam en uw armen in een positie waarin u

de terugslagkrachten kunt opvangen. Gebruik altijd de extra handgreep, indien aanwezig, om de grootste mogelijke controle te hebben over terugslagkrachten of reactiemomenten bij het op toeren komen. De bediener kan door geschikte voorzorgsmaatregelen de terugslag- en reactiekrachten beheersen.

b) Breng uw hand nooit in de buurt van draaiende inzetgereedschappen. Het inzetgereedschap kan bij de terugslag over uw hand bewegen.

c) Blijf buiten het bereik vóór en achter de roterende doorslijpschijf. De terugslag beweegt het elektrische gereedschap op de plaats van de blokkering in de tegenovergestelde draairichting van de slijpschijf.

d) Werk bijzonder voorzichtig in de buurt van hoeken, scherpe randen, enz. Voorkom dat inzetgereedschappen van het werkstuk terugspringen en vastklemmen. Het ronddraaiende inzetgereedschap neigt er bij hoeken, scherpe randen of wanneer het terugspringt toe om zich vast te klemmen. Dit veroorzaakt een controleverlies of terugslag.

e) Gebruik geen kettingzaagblad of getand zaagblad en geen gesegmenteerde diamantschijven met meer dan 10 mm brede sleuven. Dergelijke apparaten veroorzaken vaak een terugslag, hetgeen tot controleverlies over het elektrische apparaat kan leiden.

f) Voorkom blokkeren van de doorslijpschijf en te hoge aandrukkraft. Slijp niet overmatig diep. Een overbelasting van de doorslijpschijf vergroot de slijtage en de gevoeligheid voor kantelen of blokkeren en daardoor de mogelijkheid van een terugslag of breuk van het slijptoebehoren.

g) Als de doorslijpschijf vastklemt of als u de werkzaamheden onderbreekt, schakelt u het elektrische gereedschap uit en houdt u het rustig tot de schijf tot stilstand is gekomen. Probeer nooit om de nog draaiende doorslijpschijf uit de groef te trekken. Anders kan een terugslag het gevolg zijn. Stel de oorzaak van het vastklemmen vast en maak deze ongedaan.

h) Schakel het elektrische gereedschap niet opnieuw in zolang het zich in het werkstuk bevindt. Laat de doorslijpschijf eerst het volledige toerental bereiken voordat u het doorslijpen voorzichtig voortzet. Anders kan de schijf vasthaken, uit het werkstuk springen of een terugslag veroorzaken.

i) Ondersteun platen of grote werkstukken om het risico van een terugslag door een ingeklemde doorslijpschijf te verminderen. Grote werkstukken kunnen onder hun eigen gewicht doorbuigen. Het werkstuk moet aan beide zijden worden ondersteund, vlakbij de slijpgroef en aan de rand.

j) Wees bijzonder voorzichtig bij invallend frezen in bestaande muren of andere plaatsen zonder voldoende zicht. De invallende doorslijpschijf kan bij het doorslijpen van gas- of waterleidingen, elektrische leidingen of andere objecten een terugslag veroorzaken.

VERDERE VEILIGHEIDS- EN WERKINSTRUCTIES

Het toelaatbare toerental van het inzetgereedschap moet minstens even hoog zijn als het maximale toerental dat op het elektrische gereedschap is aangegeven.

Toebehoren dat sneller draait dan toegestaan, kan breken en in het rond vliegen.

Draag veiligheidsuitrusting. Bij werkzaamheden met de machine dient u altijd een veiligheidsbril te dragen.

Veiligheidskleding zoals stofmasker, veiligheidshandschoenen, stevig en slipvast schoeisel, helm en gehoorbescherming worden aanbevolen.

Het gedurende het werken vrijkomende stof is doorgaans schadelijk

voor de gezondheid en mag niet met het lichaam in aanraking komen. Draag derhalve een geschikt stofbeschermingsmasker.

Het is niet toegestaan, materialen te bewerken waarvan een gezondheidsgevaar uitgaat (bijv. asbest).

Schakel het apparaat onmiddellijk uit als het gereedschap blokkeert! Schakel het apparaat niet in zolang het gereedschap geblokkeerd is; dit zou een terugslag met een hoog reactiemoment kunnen veroorzaken. Achterhaal en verhelp de oorzaak voor de blokkering van het gereedschap met inachtneming van de veiligheidsinstructies.

- Mogelijke oorzaken voor de blokkering:
- kantelen in het te bewerken werkstuk
 - doorbreken van het te bewerken materiaal
 - overbelasting van het elektrische gereedschap

Grijp niet in de lopende machine.

Het gereedschap kan heet worden tijdens het gebruik.

- bij het vervangen van het gereedschap
- bij het neerleggen van het apparaat

Bij het werken in wanden, plafonds of vloeren oppassen voor elektriciteitsdraden, gas- of waterleidingen.

Voor alle werkzaamheden aan de machine de accu verwijderen.

Verbruikte accu's niet in het vuur of bij het huisvuil werpen. AEG biedt namelijk een milieuvriendelijke recyclingmethode voor uw oude accu's.

Wisselakku's niet bij metalen voorwerpen bewaren (kortsluitingsgevaar!)

Wisselakku's van het Akku-Systeem GBS alléén met laadapparaten van het Akku-Systeem GBS laden. Geen accu's van andere systemen laden.

Wisselakku's en laadapparaten niet openen en alleen in droge ruimtes opslaan. Tegen vocht beschermen.

Onder extreme belasting of extreme temperaturen kan uit de accu accu-vloeistof lopen. Na contact met accu-vloeistof direct afwassen met water en zeep. Bij oogcontact direct minstens 10 minuten grondig spoelen en onmiddellijk een arts raadplegen.

Waarschuwing! Voorkom brand, persoonlijk letsel of materiële schade door kortsluiting en dompel het gereedschap, de wisselaccu en het laadtoestel niet onder in vloeistoffen en waarborg dat geen vloeistoffen in de apparaten en accu's kunnen dringen. Corrosieve of geleidende vloeistoffen zoals zout water, bepaalde chemicaliën, bleekmiddelen of producten die bleekmiddelen bevatten, kunnen een kortsluiting veroorzaken.

VOORGESCHREVEN GEBRUIK VAN HET SYSTEEM

Dit snijgereedschap is bedoeld om verschillende materialen te snijden.

Dit apparaat uitsluitend gebruiken voor normaal gebruik, zoals aangegeven.

Gebruiken alleen diamantslijpschijven van het type 1 met een maximale dikte van 2,8 mm, die veilig kunnen worden gebruikt met een minimum toerental van 20.000 min⁻¹, om het risico voor letsel tot een minimum te beperken.

Slijpschijven van het type 1 zijn alleen geschikt voor het zijdelings slijpen en niet voor het vlakslijpen. Neem alle bij de doorslijpschijven meegeleverde veiligheidsinstructies in acht.

Gebruik het onderstaande overzicht voor de keuze van de geschikte slijpschijf. Voor ieder materiaal moet een andere slijpschijf worden gebruikt. Neem de gebruiksaanwijzingen van de fabrikant van de slijpschijven in acht.

Schijftype	Voor het slijpen van
Carbide slijpschijven	Gipskarton, kunststof

Doorslijpschijven	Staal, roestvast staal, non-ferromaterialen
Diamantslijpschijven	Tegels, beton, baksteen, keramiek, vezelcement

OVERBELASTINGSBEVEILIGING

bij een te hoge motorlast wordt de overbelastingsbeveiliging geactiveerd. Schakel de machine uit en weer in om door te kunnen werken.

EC – VERKLARING VAN OVEREENSTEMMING

Wij verklaren in uitsluitende verantwoording dat het onder 'Technische gegevens' beschreven product overeenstemt met alle relevante voorschriften van de richtlijn 2011/65/EU (RoHS), 2014/30/EU, 2006/42/EG en de volgende geharmoniseerde normatieve documenten:

EN 60745-1:2009+A11:2010
EN 60745-2-22:2011+A11:2013
EN 55014-1:2017+A11:2020
EN 55014-2:2015
EN IEC 63000:2018

Winnenden, 2020-06-30

Alexander Krug
Managing Director



Gemachtigd voor samenstelling van de technische documenten

Techtronic Industries GmbH
Max-Eyth-Straße 10
71364 Winnenden
Germany

AKKU

Langere tijd niet toegepaste wisselakku's vóór gebruik altijd naladen.

Een temperatuur boven de 50°C vermindert de capaciteit van de accu. Langdurige verwarming door zon of hitte vermijden.

De aansluitkontakten aan het laadapparaat en de accu schoonhouden.

Voor een optimale levensduur moeten de accu's na het gebruik volledig opgeladen worden.

Voor een zo lang mogelijke levensduur van de accu's dienen deze na het opladen uit het laadtoestel te worden verwijderd.

Bij een langere opslag van de accu dan 30 dagen: accu bij ca. 27 °C droog bewaren.

accu bij ca. 30 % - 50 % van de laadtoestand bewaren. accu om de 6 maanden opnieuw opladen.

OVERBELASTINGSBEVEILIGING VAN DE ACCU

Het accupak is uitgerust met een overbelastingsbeveiliging die de accu tegen overbelasting beschermt en een lange levensduur garandeert.

Bij extreem sterke belasting schakelt de accuelektronica de machine automatisch uit. Schakel de machine uit en weer in om door te kunnen werken. Wanneer de machine niet meer start, is het accupak mogelijkwerijs ontladen en moet het in het laadtoestel worden opgeladen.

TRANSPORT VAN LITHIUM-IONEN-ACCU'S

Lithium-ionen-accu's vallen onder de wettelijke bepalingen inzake het transport van gevaarlijke goederen.

Voor het transport van deze accu's moeten de lokale, nationale en internationale voorschriften en bepalingen in acht worden genomen.

- Verbruikers mogen deze accu's zonder meer over de weg transporteren.
- Het commerciële transport van lithium-ionen-accu's door expeditiebedrijven is onderhevig aan de bepalingen inzake het transport van gevaarlijke goederen. De verzendingsvoorbereidingen en het transport mogen uitsluitend worden uitgevoerd door dienovereenkomstig opgeleide personen. Het complete proces moet vakkundig worden begeleid.

Onderstaande punten moeten bij het transport van accu's in acht worden genomen:

- Waarborg ter vermindering van kortsluitingen dat de contacten beschermd en geïsoleerd zijn.
- Let op dat het accupack in de verpakking niet kan verschuiven.
- Beschadigde of lekkende accu's mogen niet worden getransporteerd.

Neem voor meer informatie contact op met uw expeditiebedrijf.

ONDERHOUD

Altijd de luchtspalten van de machine schoonhouden.

Zorg ervoor dat het werktuig van de stroomvoorziening wordt ontkoppeld voor u het zaagblad vastmaakt of verwijderd.

Reinig het apparaat en de veiligheidsinrichting met een droge doek. Bepaalde reinigingsmiddelen tasten de kunststof of andere geïsoleerde onderdelen aan. Houd het apparaat schoon en droog en vrij van lekkende olie en vet. Controleer de werking van de veiligheidskappen. Regelmatig uitgevoerde onderhouds- en reinigingswerkzaamheden waarborgen een lange levensduur en een veilig gebruik.

Gebruik uitsluitend AEG toebehoren en onderdelen. Indien componenten die moeten worden vervangen niet zijn beschreven, neem dan contact op met een officieel AEG servicecentrum (zie onze lijst met servicecentra).

Zo nodig kan een explosietekening van het apparaat worden aangevraagd bij uw klantenservice of direct bij Techtronic Industries GmbH, Max-Eyth-Straße 10, 71364 Winnenden, Duitsland onder vermelding van het machinetype en het zescijferige nummer op het typeplaatje.

SYMBOLLEN



OPGELET! WAARSCHUWING! GEVAAR!



Voor alle werkzaamheden aan de machine de akku verwijderen.



Graag instructies zorgvuldig doorlezen vóórdat u de machine in gebruik neemt.



Draag veiligheidshandschoenen!



Draag oorbeschermers!

Bij het werken met de machine altijd een veiligheidsbril dragen.

Draag derhalve een geschikt stofbeschermsmasker.



Toebehoren - Wordt niet meegeleverd. Is apart leverbaar. Zie hiervoor het toebehorenprogramma.



Elektrische apparaten, batterijen en accu's mogen niet via het huisafval worden afgevoerd. Elektrische apparaten en accu's moeten gescheiden worden verzameld en voor een milieuvriendelijke afvoer worden afgegeven bij een recyclingbedrijf. Informeer bij uw gemeente of bij uw vakhandelaar naar recyclingbedrijven en inzamelpunten.



Draairichting



Nominaal toerental



Spanning



Gelijkstroom



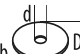
Europees symbool van overeenstemming



Oekraïens symbool van overeenstemming



Euro-Aziatisch symbool van overeenstemming

Produktionsnummer	4774 12 01...
	...000001-999999
Nominelt omdrejningstal	20000 min ⁻¹
 D=skæreskive-ø	76 mm
d=borings-ø	10 mm
b=Skæreskive tykkelse min. / maks.	1 mm / 2,8 mm
Skæredybde max.	16,3 mm
Udskiftningsbatteriets spænding	18 V
Vægt svarer til EPTA-procedure 01/2014 (2,0...6,0 Ah)	1,2...1,7 kg
Anbefalet temperatur under arbejdet	-18...+50 °C
Anbefalede batterityper	L1860R, L1850R, L1840R, L1830R, L1825R, L1820R, L1815R, L1820S
Anbefalede opladere	BL1218, BLK1218; AL1218G; AL18G

Støj/Vibrationsinformation (skære beton)

Måleværdier beregnes iht. EN 60 745.

Værktøjets A-vægtede lydtrykniveau er typisk

Lydtrykniveau (Usikkerhed K=3dB(A))

Lydeffekt niveau (Usikkerhed K=3dB(A))

Brug høreværn!

Samlede vibrationsværdier (værdisum for tre retninger)

beregnet iht. EN 60745.

Vibrationseksposering a_{h,SG}

Usikkerhed K=

ADVARSEL

Svingningsniveauet, som er angivet i disse anvisninger, er målt i henhold til standardiseret måleprocedure ifølge EN 60745 og kan anvendes til indbyrdes sammenligning mellem el-værktøjer. Svingningsniveauet er ligeledes egnet som foreløbigt skøn over svingningsbelastningen.

Det angivne svingningsniveau er baseret på el-værktøjets primære anvendelsesformål. Hvis el-værktøjet benyttes til andre formål, med andet indsatsværktøj eller ikke vedligeholdes tilstrækkeligt, kan svingningsniveauet afvige. Dette kan øge svingningsbelastningen over den samlede arbejdsperiode betydeligt.

For en nøjagtig vurdering af svingningsbelastningen skal der også tages højde for de tidsperioder, hvor apparatet er slukket, eller hvor apparatet kører, men uden at være i anvendelse. Dette kan reducere svingningsbelastningen over den samlede arbejdsperiode betydeligt.

Supplerende sikkerhedsforanstaltninger til beskyttelse af brugeren mod påvirkninger fra svingninger skal iværksættes, f.eks.: Vedligeholdelse af el-værktøj og indsatsværktøj, varmholdelse af hænder, organisering af arbejdsprocesser.

⚠ ADVARSEL Læs alle advarselsinformationer, anvisninger, figurer og specifikationer, som følger med dette el-værktøj. En manglende overholdelse af alle nedenstående anvisninger kan medføre elektrisk stød, brand og/eller alvorlige kvæstelser. Opbevar alle advarselshenvisninger og instrukser til senere brug.

⚠ SIKKERHEDSINSTRUKTIONER FOR RUNDSAVE

a) Beskyttelseskærmen der hører til el-værktøjet skal være anbragt sikkert og indstillet sådan, at en maksimal sikkerhed opnås med denne, dvs. at den mindst mulige del af slibelegemet peger åbent mod betjeningspersonen. Sørg for at holde dig selv og personer i nærheden uden for niveauet, hvor slibeskiven roterer. Beskyttelseskærmen skal beskytte betjeningspersonen mod brudstykker og tilfældig kontakt med slibelegemet.

b) Anvend kun bundne forstærkede eller diamantbesatte skæreskiver til el-værktøjet. At det er muligt at fastgøre tilbehøret på dit el-værktøj, garanterer ikke en sikker anvendelse.

c) Den tilladte hastighed for indsatsværktøjet skal mindst være så høj som den maksimale hastighed, der er angivet på el-værktøjet. Tilbehør, der drejer hurtigere end tilladt, kan brække og de enkelte dele flyve fra hinanden.

d) Slibeskiver/slibestifter må kun anvendes til de anbefalede formål. F.eks.: Slib aldrig med sidefladen på en skæreskive. Skæreskiver er bestemt til materialeafslibning med kanten på skiven. Udsættes disse slibeskiver/slibestifter for sidevendt kraftpåvirkning, kan de ødelægges.

e) Anvend altid ubeskadigede spændeflanger i den rigtige størrelse til den skæreskive, du har valgt. Egnede flanger støtter skæreskiven og reducerer derfor risikoen for brud på skæreskiven.

f) Brug ikke slidte slibeskiver, der passer til større el-værktøj. Slibeskiver til større el-værktøj kan brække, da de ikke er egnet til de højere omdrejningstal, som småt el-værktøj arbejder med.

g) Den udvendige diameter og tykkelsen på indsatsværktøjet skal svare til målene på dit el-værktøj. Indsatsværktøjer med forkert størrelse kan ikke afskærmes eller kontrolleres på tilstrækkelig vis.

h) Slibeskiver og flange skal passe nøjagtigt på el-værktøjets slibespindel. Indsatsværktøj, der ikke passer nøjagtigt på el-værktøjets slibespindel, drejer ujævnt, vibrerer meget kraftigt og kan føre til, at man mister kontrollen over værktøjet.

i) Brug ikke beskadigede slibeskiver. Undersøg slibeskiverne før hver brug for skår og revner. Hvis du taber el-værktøjet eller slibeskiven, så undersøg om det eller den er beskadiget eller anvend en ubeskadiget slibeskive. Når slibeskiven er kontrolleret og sat i, så sørg for at holde dig selv og personer i nærheden uden for niveauet, hvor slibeskiven roterer, og lad maskinen køre i et minut med den højeste hastighed. Beskadigede slibeskiver brækker for det meste i denne testtid.

j) Brug personligt beskyttelsesudstyr. Brug helmaske til ansigtet, øjenværn eller beskyttelsesbriller, afhængigt af det udførte arbejde. Brug afhængigt af arbejdsarten støvmaske, høreværn, beskyttelseshandsker eller specialforklæde, der beskytter dig mod små slibe-

materialepartikler. Øjenene skal beskyttes mod fremmede genstande, der flyver rundt i luften og som opstår i forbindelse med forskelligt arbejde. Støv- eller åndedrætsmaske skal filtrere det støv, der opstår under arbejdet. Udsættes du for høj støj i længere tid, kan du lide høretab.

k) Sørg for at andre personer befinder sig i en sikker afstand til dit arbejdsområde. Enhver person, der går ind på dit arbejdsområde, skal bruge personlige værnemidler. Brudstykker fra emnet eller brækkede indsatsværktøjer kan flyve væk og medføre tilskadekomst også uden for det direkte arbejdsområde.

l) I forbindelse med slibearbejde, hvor slibehovedet kan komme i kontakt med skjulte strømførende ledninger, skal man altid holde el-værktøjet i de isolerede håndtag. Ved kontakt med et strømførende kabel er der også risiko for, at værktøjets metalliske dele kan blive strømførende og give brugeren elektrisk støv.

m) Læg aldrig elektroværktøjet fra dig, før indsatsværktøjet er standset helt. Det roterende indsatsværktøj kan komme i kontakt med fralægningsoverfladen, og ved dette kan du miste kontrollen over elektroværktøjet.

n) Lad ikke elværktøjet køre, mens det bæres. Dit tøj kan blive fanget ved en tilfældig kontakt med det roterende indsatsværktøj, hvorved indsatsværktøjet kan bore sig ind i din krop.

o) Rengør ventilationsåbningerne på dit el-værktøj med regelmæssige mellemrum. Motorhuset trækker støv ind i huset, og store mængder metalstøv kan være farligt rent elektrisk.

p) Brug ikke indsatsværktøj, der kræver flydende kølemidler. Anvendelsen af vand eller andre flydende kølemidler kan føre til elektrisk støv.

Yderligere sikkerhedsinstruktioner for skære-/slibeopgaver

Tilbageslag og tilsvarende sikkerhedsanvisninger

Tilbageslag er en pludselig reaktion, som sker på grund af, at en roterende slibeskive har sat sig fast eller blokerer. Fastsættelse eller blokering fører til et pludseligt stop af det roterende indsatsværktøj. Herved accelereres et ukontrolleret el-værktøj mod indsatsværktøjets omdrejningsretning på blokeringsstedet.

Sidder f.eks. en slibeskive fast eller blokerer i et emne, kan kanten på slibeskiven, der dykker ned i emnet, blive siddende, hvorved slibeskiven brækker af eller fører til et tilbageslag. Slibeskiven bevæger sig så hen imod eller væk fra betjeningspersonen, afhængigt af skivens drejeretning på blokeringsstedet. Derved kan slibeskiver også brække.

Et tilbageslag skyldes forkert eller fejlbehæftet brug af el-værktøjet. Det kan forhindres ved at træffe egnede forsigtighedsforanstaltninger, der beskrives i det følgende.

a) Hold godt fast i el-værktøjet og sørg for at både krop og arme befinder sig i en position, der kan klare tilbageslagskræfterne. Anvend altid ekstrahåndtaget, hvis et sådant findes, for at have så meget kontrol som muligt over tilbageslagskræfterne eller reaktionsmomenterne, når maskinen kører op i hastighed. Betjeningspersonen kan beherske tilbageslags- og reaktionskræfterne med egnede forsigtighedsforanstaltninger.

b) Sørg for at din hånd aldrig kommer i nærheden af det roterende indsatsværktøj. Indsatsværktøjet kan bevæge sig hen over din hånd i forbindelse med et tilbageslag.

c) Undgå området foran og bagved den roterende skæreskive. Tilbageslaget driver el-værktøjet i modsat retning af slibeskivens bevægelse på blokeringsstedet.

d) Arbejd særlig forsigtig i områder som f.eks. hjørner, skarpe kanter osv. Forhindre at indsatsværktøjet slår tilbage fra emnet og sæt sig fast. Det roterende indsatsværktøj har tendens til at sætte sig fast, når det anvendes i hjørner, skarpe kanter eller hvis det springer tilbage. Dette medfører, at man taber kontrollen eller tilbageslag.

e) Anvend ikke en kædesavklinge eller en tandet savklinge samt ikke en segmenteret diamantskive med mere end 10 mm brede slidser. Sådanne indsatsværktøj fører ofte til et tilbageslag eller at man mister kontrollen over el-værktøjet.

f) Undgå at skæreskiven blokerer eller får for højt modtryk. Foretag ikke meget dybe snit. Overbelastes skæreskiven, øges skivens belastning og der er større tendens til, at skiven kan sætte sig i klemme eller blokere, hvilket igen kan føre til tilbageslag eller brud på slibeskiven/slibestiften.

g) Sidder skæreskiven i klemme eller afbryder du arbejdet, slukkes elværktøjet og maskinen holdes roligt, til skiven er stoppet. Forsøg aldrig at trække skæreskiven ud af snittet, mens den roterer, da dette kan føre til et tilbageslag. Lokalisér og afhjælp fejlen.

h) Tænd ikke for elværktøjet, så længe det befinder sig i emnet. Sørg for at skæreskiven når op på sit fulde omdrejningstal, før du forsigtigt fortsætter snittet. Ellers kan skiven sætte sig i klemme, springe ud af emnet eller forårsage et tilbageslag.

i) Understøt plader eller store emner for at reducere risikoen for et tilbageslag som følge af en fastklemt skæreskive. Store plader kan bøje sig under deres egen vægt. Emnet skal støttes på begge sider, både i nærheden af skæresnittet og ved kanten.

j) Vær særlig forsigtig ved „lommensnit“ i bestående vægge eller andre områder, hvor man ikke har direkte indblik. Den neddykkende skæreskive kan forårsage et tilbageslag, når der skæres i gas- eller vandledninger, elektriske ledninger eller andre genstande.

YDERLIGERE SIKKERHEDS- OG ARBEJDSINFORMATIONER

Den tilladte hastighed for indsatsværktøjet skal mindst være så høj som den maksimale hastighed, der er angivet på elektroværktøjet.

Tilbehør, der drejer hurtigere end tilladt, kan brække og de enkelte dele flyve fra hinanden.

Brug beskyttelsesudstyr. Bær altid sikkerhedsbriller, når du arbejder med maskinen. Vi anbefaler desuden brug af personlig beskyttelsesudrustning, såsom støvmaske, sikkerhedshandsker, fast og skridsikkert skotøj, hjelm og høreværn.

Støv, som opstår under arbejdet, er ofte sundhedsfarligt og bør ikke trænge ind i kroppen. Benyt egnet åndedrætsværn.

Der må ikke bearbejdes nogen materialer, der kan udgøre en sundhedsrisiko (f.eks. asbest).

Sluk straks for maskinen, hvis indsatsværktøjet er blokeret! Tænd ikke for maskinen igen, så længe indsatsværktøjet er blokeret; dette kan føre til et tilbageslag med højt reaktionsmoment. Find frem til og afhjælp årsagen til indsatsværktøjets blokering under hensyntagen til sikkerhedsinstruktionerne.

Mulige årsager hertil kan være:

- at det sidder i klemme i emnet der bearbejdes
- at det har brækket materialet der bearbejdes
- at el-værktøjet er overbelastet

Grib ikke ind i maskinen, når den kører.

Indsatsværktøjet kan blive varmt under brugen.

- ved værktøjsskift
- når man lægger maskinen fra sig

Ved arbejdeboring i væg, loft eller gulv skal man passe på elektriske kabler, gas- og vandledninger.

Ved arbejde inden i maskinen, bør batteriet tages ud.

Opbrugte udskiftningsbatterier må ikke brændes eller kasseres sammen med alm. husholdningsaffald. AEG har en miljørigtig bortskaffelse af gamle udskiftningsbatterier, henvend Dem til Deres forhandler.

Opbevar ikke udskiftningsbatterier sammen med metalgenstande af fare for kortslutning.

Brug kun GBS ladeapparater for opladning af System GBS batterier.

Udskiftningsbatterier og opladere må ikke åbnes og skal opbevares i tørre rum. Beskyt dem mod fugtighed.

I tilfælde af en ekstrem belastning eller ekstrem temperatur kan der flyde batterivæske ud af et beskadiget batteri. Hvis De kommer i berøring med batterivæsken, skal den vaskes godt og grundigt af med vand og sæbe. I tilfælde af øjenkontakt, skal man mindst skylle øjnene godt og grundigt igennem i 10 minutter og omgående opsøge en læge.

Advarsel! For at undgå risiko for brand, kvæstelser eller beskadigelse af produktet forårsaget af kortslutning må værktøjet, batteripakken eller opladeren ikke nedsænkes i vand. Sørg ligeledes for, at der ikke trænger væske ind i enhederne og batterierne. Korroderende eller ledende væsker, f.eks. saltvand, bestemte kemikalier, blegestoffer eller produkter, som indeholder blegestoffer, kan forårsage kortslutning.

TILTÆNKT FORMÅL

Dette afskæringsværktøj er beregnet til at blive brugt til at skære forskellige materialer.

Produktet må ikke anvendes på anden måde og til andre formål end foreskrevet.

For at minimere risikoen må der kun bruges diamantslibeskiver af type 1 med en maksimal tykkelse på 2,8 mm, som kan betjenes sikkert med en minimumshastighed på 20.000 min⁻¹. Slibeskiver af type 1 egner sig kun til sideslibning, ikke til planslibning. Bemærk alle sikkerhedsoplysninger, som leveres med skæreskiverne.

Brug den nedenstående oversigt for at vælge den passende slibeskive. Brug forskellige slibeskiver alt efter materiale. Bemærk slibeskiveproducentens brugshenvisninger.

Skivetyper	Til slibning af
Karbidslibeskiver	Gipskarton, kunststof
Skæreskiver	Stål, rustfrit stål, ikke-jernholdige materialer
Diamantslibeskiver	Fliser, beton, mursten, keramik, fibercement

OVERBELASTNINGSBESKYTTELSE

Ved kraftig overbelastning af motoren udløses overbelastningssikringen. For at genoptage arbejdet slukkes og tændes maskinen igen.

CE-KONFORMITETSERKLÆRING

Vi erklærer som eneansvarlig, at det under „Tekniske data“ beskrevne produkt stemmer overens med alle relevante forskrifter, der følger af direktiv 2011/65/EU (RoHS), 2014/30/EU, 2006/42/EF samt af følgende harmoniserede normative dokumenter:

EN 60745-1:2009+A11:2010
EN 60745-2-22:2011+A11:2013
EN 55014-1:2017+A11:2020
EN 55014-2:2015
EN IEC 63000:2018

Winnenden, 2020-06-30



Alexander Krug
Managing Director



Autoriseret til at udarbejde de tekniske dokumenter.

Techtronic Industries GmbH
Max-Eyth-Straße 10
71364 Winnenden
Germany

AKKU

Langere tijd niet toegepaste wisselakku's vóór gebruik altijd naladen.

Een temperatuur boven de 50°C vermindert de capaciteit van de accu. Langdurige verwarming door zon of hitte vermijden.

De aansluitkontakten aan het laadapparaat en de accu schoonhouden.

Voor een optimale levensduur moeten de accu's na het gebruik volledig opgeladen worden.

Voor een zo lang mogelijke levensduur van de accu's dienen deze na het opladen uit het laadtoestel te worden verwijderd.

Bij een langere opslag van de accu dan 30 dagen: accu bij ca. 27 °C droog bewaren.

accu bij ca. 30 % - 50 % van de laadtoestand bewaren. accu om de 6 maanden opnieuw opladen.

OVERBELASTNINGSSIKRING FOR BATTERI

Akkupack'en er udstyret med en overbelastningssikring, som beskytter akkumulatorbatteriet mod overbelastning og sikrer en høj levetid.

Ved ekstrem kraftig belastning kobler batteriets elektronik automatisk maskinen fra. Sluk og tænd maskinen igen for at genoptage driften. Går maskinen ikke i gang igen, er akkupack'en muligvis afladt og skal genoplades i ladeaggregatet.

TRANSPORT AF LITHIUM-BATTERIER

Lithium-batterier er omfattet af lovgivningen om transport af farligt gods.

Transporten af disse batterier skal ske under overholdelse af lokale, nationale og internationale regler og bestemmelser.

- Forbrugere må transportere disse batterier på veje uden yderligere krav.
- Den kommercielle transport af lithium-batterier ved speditjonsfirmaer er omfattet af reglerne for transport af farligt gods. Forberedelsen af forsendelse og transport må kun udføres af tilsvarende trænedte personer. Den samlede proces skal følges af fagfolk.

Følgende punkter skal overholdes ved transport af batterier:

- Sørg for at kontakterne er beskyttet og isoleret for at forhindre kortslutninger.
- Sørg for at batteripakken ikke kan bevæge sig inden for emballagen.
- Beskadede eller lækkende batterier må ikke transporteres.

Kontakt dit speditionsfirma for at få yderligere oplysninger.

VEDLIGEHOOLDELSE

Hold altid maskinens ventilationsåbninger rene.



Husk at afbryde værktøjet fra strømforsyningen inden montering eller udtagning af savklingen.


Rengør maskinen og beskyttelsesudstyret med en tør klud. Nogle rengøringsmidler beskadiger plast eller andre isolerede dele. Maskinen skal holdes ren og tør samt fri for olie og fedt, der er løbet ud. Tjek beskyttelseskærmens funktion. Regelmæssig vedligeholdelse og rengøring sørger for en lang holdbarhed og en sikker håndtering.

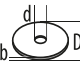
Brug kun AEG-tilbehør og AEG-reservedele. Komponenter, hvor udskiftningsproceduren ikke er beskrevet, skal skiftes ud hos et AEG.-servicested (se brochure garanti/kundeserviceadresser).

Hvis det er nødvendigt, kan der bestilles en sprængskitse af værktøjet. Angiv herved venligst maskintypen samt det sekscifrede nummer på mærkepladen og bestil tegningen hos din lokale kundeserviceafdeling eller direkte hos Techtronic Industries GmbH, Max-Eyth-Straße 10, 71364 Winnenden, Tyskland.

SYMBOLER

	VIGTIGT! ADVARSEL! FARE!
	Ved arbejde inden i maskinen, bør batteriet tages ud.
	Læs brugsanvisningen nøje før ibrugtagning.
	Brug beskyttelseshandsker!
	Brug høreværn! Når der arbejdes med maskinen, skal man have beskyttelsesbriller på. Benyt egnet åndedrætsværn.
	Tilbehør - Ikke inkluderet i leveringsomfanget, køb købes som tilbehør.
	Elektrisk udstyr eller (genopladelige) batterier må ikke bortskaffes sammen med det almindelige husholdningsaffald. Elektrisk udstyr og genopladelige batterier skal indsamles særskilt og afleveres hos en genbrugsvirksomhed til en miljømæssig forsvarlig bortskaffelse. Spørg de lokale myndigheder eller din forhandler om genbrugsstationer og indsamlingssteder til sådant affald.
	Drejereetning
	Nominelt omdrejningstal

	Spænding
	Jævnstrøm
	Europæisk konformitetsmærke
	Ukrainsk konformitetsmærke
	Eurasisk konformitetsmærke

Produksjonsnummer.....	4774 12 01...
	...000001-999999
Nominelt turtall.....	20000 min ⁻¹
 D=kappeskiver-ø.....	76 mm
d=hull-ø.....	10 mm
b=Tykkelse av kappeskiver min. / maks.....	1 mm / 2,8 mm
Kuttedybde maks.....	16,3 mm
Spenning vekselbatteri.....	18 V
Vekt i henhold til EPTA-Proseduren 01/2014 (2,0...6,0 Ah).....	1,2...1,7 kg
Anbefalt omgivelsestemperatur under arbeid.....	-18...+50 °C
Anbefalte batterityper.....	L1860R, L1850R, L1840R, L1830R, L1825R, L1820R, L1815R, L1820S
Anbefalte ladere.....	BL1218, BLK1218; AL1218G; AL18G

Støy/Vibrasjonsinformasjon (skjære betong)

Måleverdier fastslått i samsvar med EN 60 745.

Det A-bedømte lydnivået til maskinen er:

Lydtryknivå (Usikkerhet K=3dB(A))..... 102,0 dB (A)

Lydeffektnivå (Usikkerhet K=3dB(A))..... 91,0 dB (A)

Bruk hørselsvern!

Totale svingningsverdier (vektorsum fra tre retninger) beregnet jf. EN 60745.

Svingningsemisjonsverdi a_{h,SG}..... 4,2 m/s²Usikkerhet K=..... 1,5 m/s²**ADVARSEL**

Svingningsnivået som er angitt i denne instruksjonen er målt i overensstemmelse med målemetoden normert i direktiv EN 60745 og kan brukes til å sammenligne elektromaskiner med hverandre. Den egner seg også for en foreløbig vurdering av svingningsbelastningen.

Det angitte svingningsnivået representerer de hovedsaklige bruk av elektroverktøyet. Men anvendes elektroverktøyet for andre bruk med avvikende utskiftbare verktøy eller vedlikeholdet er utilstrekkelig, kan svingningsnivået være avvikende.

Dette kan forhøye svingningsbelastning betydelig over hele arbeidsperioden. For en nøyaktig vurdering av svingningsbelastningen må også det tas hensyn til tiden apparatet er avslått eller står på, men ikke er i bruk. Dette kan redusere svingningsbelastningen betydelig over hele arbeidsperioden.

Innfør også ekstra sikkerhetstiltak for å beskytte bruker mot utvirkingen av svingningene. Disse kan f.eks. være: vedlikehold av elektroverktøyet og det utskiftbare verktøyet, holde hendene varme, organisasjon av arbeidsforløpet.

⚠ ADVARSEL! Les gjennom alle sikkerhets advarsler, anvisninger, illustrasjoner og spesifikasjoner for dette elektroverktøyet. Feil ved overholdelsen av advarslene og nedenstående anvisninger kan medføre elektriske støt, brann og/eller alvorlige skader.

Ta godt vare på alle advarslene og informasjonene.

⚠ SIKKERHETS INSTRUKSER FOR SIRKELSAGER

a) Beskyttelseshetten som tilhører elektroverktøyet skal monteres og innstilles slik at et maksimum av sikkerhet oppnås, dvs at en så liten del som mulig av slipekroppen blir vist åpent til bruker. Still deg selv og alle personer i nærheten utenfor flaten til den roterende slipekiven. Beskyttelseshetten skal beskytte bruker mot avbrekte deler og tilfældig kontakt med slipekroppen.

b) Bruk kun bundne forsterkede eller diamantbesatte kappeskiver for ditt elektroverktøy. Bare fordi at du kan feste tilbehøret på elektroverktøyet ditt, garanterer ingen sikker bruk av dette.

c) Det tillatte omdreiningsstallet til elektroverktøyet må være minst så høyt som det maksimale omdreinings-tallet som er oppgitt på elektroverktøyet. Tilbehør som dreier seg raskere enn tillatt kan brenne og slynges rundt.

d) Slipekiver må kun brukes til anbefalt type bruk. F. eks.: Ikke slip med sideflaten til en kappeskive. Kappeskiver er beregnet til materialfjerning med kanten på skiven. Innvirking av krefter fra siden kan føre til at slipekivene brenner.

e) Bruk alltid uskadete spenneflenser i riktig størrelse for den valgte kappeskiven. Egnede flenser støtter kappeskiven og reduserer faren for at kappeskiven brenner.

f) Ikke bruk slitte slipekiver fra større elektroverktøy. Slipekiver for større elektroverktøy er ikke beregnet til de høyere turtall på mindre elektroverktøy og kan brenne.

g) Det ytre tverrsnittet og tykkelsen til verktøyet som benyttes må overholde målene til elektroverktøyet ditt. Verktøy som er målt feil kan ikke avskjermes eller kontrolleres riktig.

h) Slipekiver og flenser må passe helt nøyaktig på slipepindelen til ditt elektroverktøy. Isettingsverktøy som ikke passer helt nøyaktig på slipepindelen til elektroverktøyet dreier seg ujevnt, vibrerer sterkt og kan derfor føre til at man mister kontrollen.

i) Bruk aldri ødelagte slipekiver. Kontroller før hver bruk slipekivene på avspilting og risser. Hvis elektroverktøyet eller slipekivene faller ned, så kontroller om det er skadet eller bruk en hel slipekive. Når slipekiven er kontrollert og isatt, så pass på å holde deg selv og andre utenfor flaten til den roterende slipekiven og la apparatet gå i et minutt på maksimalt omdreiningsstall. Skadete slipekiver brenner som oftest i denne testperioden.

j) Bruk personlig beskyttelsesutstyr. Avhengig av typen bruk må du bruke visir, øyebeskyttelse eller vernebriller. Om nødvendig må du bruke støvmaske, hørselsvern, vernehansker eller spesialforkle som holder små slipe- og materialpartikler unna kroppen din. Øynene bør beskyttes mot fremmedlegemer som kan fly rundt ved visse typer bruk. Støv- eller pustevernmasker må filtrere den typen støv som oppstår ved denne bruken. Hvis du er utsatt for sterk støv over lengre tid, kan du miste hørselen.

k) Pass på at andre personer holder seg på sikker avstand fra arbeidsområdet ditt. Enhver person som går inn i arbeidsområdet må ha på seg personlig verneutstyr. Deler av arbeidsstykker eller verktøy som har brukket kan slynges rundt og forårsake skader utenfor det direkte arbeidsområdet.

l) Ved arbeider der borkronen vil kunne komme i berøring med skjulte strømførende ledninger, skal det elektriske verktøyet alltid gripes med de isolerte håndtakflatene. Ved kontakt med en strømførende kabel kan også det elektriske verktøyet metalldele bli strømførende og forårsake at operatøren lider elektrisk sjokk.

m) Legg aldri fra deg elektroverktøyet før verktøyet har stanset helt. Det roterende verktøyet kan komme i kontakt med underlaget, noe som kan medføre at du mister kontrollen over elektroverktøyet.

n) La aldri elektroverktøyet være innkoblet mens du bærer det. Tøyet ditt kan komme inn i det roterende innsatsverktøyet hvis det tilfeldigvis kommer i kontakt med verktøyet og innsatsverktøyet kan da bore seg inn i kroppen din.

o) Rengjør ventilasjonsåpningene til elektroverktøyet med jevne mellomrom. Motorviften trekker støv inn i huset, og en stor oppsamling av metallstøv kan medføre elektrisk fare.

p) Ikke bruk verktøy som krever flytende kjølemidler. Bruk av vann eller andre flytende kjølemidler kan medføre elektrisk støt.

Ytterligere sikkerhetsinstruksjoner for kapping

Tilbakeslag og respektive sikkerhetsinstruksjoner:

Tilbakeslag er en plutselig reaksjon på grunn av en hektende eller blokkerende dreierende slipeskive. En hekking eller blokkering fører til at det dreierende verktøyet stopper brått. Derved blir et ukontrollert elektroverktøy forsert mot dreieretningen til det isatte verktøyet på det stedet hvor blokkeringen er.

Hvis f. eks. en slipeskive henger seg opp eller blokkerer i arbeidsstykket, kan kanten på slipeskiven som dykker inn i arbeidsstykket, henge seg opp og slik brekker slipeskiven eller forårsaker et tilbakeslag. Slipeskiven beveger seg da mot eller bort fra brukeren, avhengig av skivens dreieretning på blokkeringsstedet. Slik kan slipeskiver også brenne.

Et tilbakeslag er resultat av en gal eller feilaktig bruk av elektroverktøyet. Det kan unngås ved å følge egnede sikkerhetstiltak som beskrevet nedenstående.

a) Hold elektroverktøyet godt fast og plasser kroppen og armene dine i en stilling som kan ta imot tilbakeslagskrefter. Bruk alltid ekstrahåndtaket – hvis dette finnes – for å ha størst mulig kontroll over tilbakeslagskrefter eller reaksjonsmomenter ved oppkjøring. Brukeren kan beherske tilbakeslags- og reaksjonsmomentene med egnede tiltak.

b) Hold aldri hånden i nærheten av det roterende innsatsverktøyet. Innsatsverktøyet kan bevege seg over hånden din ved tilbakeslag.

c) Unngå området foran og bak den roterende kappeskiven. Et tilbakeslag driver elektroverktøyet i motsatt retning til retningen slipeskiven beveger seg på det stedet det blokkeres.

d) Vær spesielt forsiktig i hjørner, på skarpe kanter osv. Du må forhindre at innsatsverktøyet avpelles fra arbeidsstykket eller klemmes fast. Det roterende innsatsverktøyet har en tendens til å klemmes fast i hjørner, på skarpe kanter eller hvis det avpelles. Dette forårsaker kontrolltap eller tilbakeslag.

e) Bruk ingen kjedeskiver eller tannhjul sagblad og heller ikke segmenterte diamantskiver med mer enn 10 mm brede splitter. Slike isatte verktøy forårsaker ofte et tilbakeslag eller tap av kontrollen over elektroverktøyet.

f) Unngå blokkering av kappeskiven eller for sterkt presstrykk. Ikke utfør for dype snitt. En overbelastning av kappeskiven øker slitasjen og tendensen til fastkiling eller blokkering og dermed også muligheten til tilbakeslag eller brudd på slipeskiven.

g) Hvis kappeskiven blokkerer eller du avbryter arbeidet, slår du av elektroverktøyet og holder det rolig til skiven er stanset helt. Forsøk aldri å trekke den roterende kappeskiven ut av snittet, ellers kan det oppstå et tilbakeslag. Finn og fjern årsaken til blokkeringen.

h) Ikke start elektroverktøyet igjen så lenge det befinner seg i arbeidsstykket. La kappeskiven oppnå det maksimale turtallet før du fortsetter forsiktig med snittet. Ellers kan skiven henge seg opp, springe ut av arbeidsstykket eller forårsake tilbakeslag.

i) Støtt plater eller store arbeidsstykker for å redusere risikoen for tilbakeslag fra en fastklemt kappeskive. Store arbeidsstykker kan bøyes av sin egen vekt. Arbeidsstykket må støttes på begge sider, både nær kappesnittet og på kanten.

j) Vær spesielt forsiktig ved «inndykingsnitt» i vegger eller andre uoversiktelige områder. Den inntrengende kappeskiven kan treffe på gass- eller vannledninger, elektriske ledninger eller gjenstander som kan forårsake tilbakeslag.

YTTERLIGE SIKKERHETS- OG ARBEIDSSINSTRUKSJONER

Det tillatte omdreiningsstallet til elektroverktøyet må være minst så høyt som det maksimale omdreiningsstallet er oppgitt på elektroverktøyet. Tilbehør som dreier seg raskere enn tillatt kan brenne og slynges rundt.

Bruk vernebekledning. Ta alltid på vernebrille ved bruk av maskinen. Vernebekledning så vel som støvmaske, vernehansker, fast og sklissikkert skotøy, hjem og hørselsvern er anbefalt.

Støvet som oppstår ved arbeidet er ofte helsefarlig og skal ikke komme i kontakt med kroppen. Bruk derfor vernemaske som er egnet for støv.

Materialer som er helsefarlig skal ikke bearbeides (f.eks. asbest)

Slå av apparatet med en gang dersom det isatte verktøyet er blokkert! Ikke slå apparatet på igjen så lenge det isatte verktøyet er blokkert; her kan det oppstå et tilbakeslag med høyt reaksjonsmoment. Finn ut hvorfor det isatte verktøyet blokkerer og fjern årsaken til dette. Ta herved hensyn til sikkerhetsinstruksene.

Mulige årsaker til dette kan være:

- det har forkantet seg i arbeidsemnet som bearbeides
- det har brekket igjennom materialet som bearbeides
- elektroverktøyet er overbelastet

Ikke grip inn i maskinen når den står på og går.

Isatt verktøy kan i bruk bli veldig varmt.

ADVARSEL! Fare for forbrenning

- ved skifting av verktøy
- når apparatet legges ned

Pass på kabler, gass- og vannledninger når du arbeider i vegger, tak eller gulv.

Ta ut vekselbatteriet før du arbeider på maskinen

Ikke kast brukte vekselbatterier i varmen eller husholdningsavfallet. AEG tilbyr en miljøriktig deponering av gamle vekselbatterier; vennligst spør din fagforhandler.

Ikke oppbevar vekselbatterier sammen med metallgjenstander (kortslutningsfare).

Vekselbatterier av systemet GBS skal kun lades med lader av systemet GBS. Ikke lad opp batterier fra andre systemer.

Ikke åpne vekselbatterier og ladere, de skal oppbevares i tørre rom. Beskyttes mot fuktighet.

Under ekstreme belastninger og ekstreme temperaturer kan det lekke ut batterivæske fra utskiftbare batterier. Ved berøring med batterivæske, vask umiddelbart med såpe og vann. Ved kontakt med øynene må øynene skylles grundig i rennende vann i minst 10 minutter. Oppsøk lege umiddelbart.

Advarsel! For å unngå fare for en brann forårsaket av en kortslutning, av personskader eller skader av produktet, må det forhindres at batteripakken eller laderen dypes i væsker og også sørges for at ingen væsker kan komme inn i apparatene eller batteriene. Korroderende og ledende væsker som saltvann, visse kjemikalier og blekemidler eller produkt som inneholder blekemidler kan forårsake en kortslutning.

FORMÅLSMESSIG BRUK

Dette avskjæringsverktøyet er ment å brukes til å kutte forskjellige materialer.

Dette apparatet må kun brukes til de oppgitte formål.

For å redusere faren for personskade, må du bare bruke diamantslipeskiver av type 1 med en maksimal tykkelse på 2,8 mm. Denne kan du drive trygt med et minsteturtall på 20 000 min⁻¹. Slipeskiver av type 1 egner seg bare til sidesliping, men ikke til plansliping. Overhold alle sikkerhetsinstruksjoner som leveres sammen med skjæreslipeskivene.

Bruk oversikten ved siden av som hjelp til å velge den passende slipeskiven. Avhengig av materialet skal det brukes forskjellige slipeskiver. Overhold bruksanvisningen fra produsenten av slipeskiven.

Skivetype	Til sliping av
Karbidslipeskiver	Gipskartong, plast
Skjæreslipeskive	Stål, rustfritt stål, ikke-jernholdige materialer
Diamantslipeskiver	Fliser, betong, murstein, keramikk, fibersement

OVERLASTVERN

Ved høy overbelastning av motoren blir overlastvernet aktivert. For videre arbeid må maskinen slås av og på igjen.

CE-SAMSVARERKLÆRING

Vi erklærer i alene ansvar at produktet beskrevet i „Teknisk data“ overensstemmer med alle relevante forskrifter til Eu direktiv 2011/65/EU (RoHS), 2014/30/EU, 2006/42/EF og de følgende harmoniserte normative dokumentene.

EN 60745-1:2009+A11:2010
EN 60745-2-22:2011+A11:2013
EN 55014-1:2017+A11:2020
EN 55014-2:2015
EN IEC 63000:2018

Winnenden, 2020-06-30


Alexander Krug
Managing Director



Autorisert til å utarbeide den tekniske dokumentasjonen
Techtronic Industries GmbH
Max-Eyth-Straße 10
71364 Winnenden
Germany

BATTERIER

Vekselbatterier som ikke er brukt over lengre tid skal etterlates før bruk.

En temperatur over 50°C reduserer vekselbatteriets kapasitet. Unngå oppvarming i sol eller ved varmeovner (fyring) i lengre tid.

Hold tilkoplingskontaktene på lader og vekselbatteri rene.

For en optimal levetid må batteriene etter bruk ladet helt opp.

For å sikre en lengst mulig brukstid av batteriene skal disse etter oppladning taes ut av laderen.

Ved lagring av batteriene lengre enn 30 dager:

Lagre batteriet tørt ved ca. 27°C.

Lagre batteriet ved en oppladningstilstand på ca. 30%-50%.

Lade opp batteriet igjen etter 6 måneder.

OVERBELASTNINGSVERN FOR OPPLADBARE BATTERIER

Batteripakken er utstyrt med overbelastningsvern som beskytter det oppladbare batteriet mot overbelastning og sikrer en lang levetid.

Ved ekstrem høy belastning kobler maskinens batterielektronikk seg automatisk ut. For å fortsette å arbeide må maskinen slås av og så på igjen. Starter maskinen ikke igjen er batteripakken muligens utladet og må lades opp igjen i laderen.

TRANSPORT AV LITIUUM-ION-BATTERI

Litium-ion-batterier faller under de lovfestede forskriftene om transport av farlig gods.

Transporten av disse batteriene må rette seg etter lokale, nasjonale og internasjonale forskrifter og bestemmelser.

- Forbruker har lov å transportere disse batteriene på gaten uten reglementering.
- Den kommersielle transport av Litium-ion-batterier av spedisjonsfirma faller under bestemmelsene om transport av farlig gods. Forberedningene av forsendelsen og transport skal utelukkende gjennomføres av personer som har blitt skolert til dette. Hele prosessen skal følges opp av fagfolk.

Følgende punkter skal tas hensyn til ved transport:

- Kontroller at kontaktene er beskyttet og isolert for å unngå kortslutninger.
- Pass på at batteripakken i forpakningen ikke kan skli fram og tilbake.
- Skadede eller batterier som lekker er det ikke lov å transportere.

Ta kontakt med spedisjonsfirma for ytterlige henvisninger.

VEDLIKEHOLD

Hold alltid luftenåpningene på maskinen rene.

Vær sikker på at støpslet er trukket ut av strømkontakten før det demonteres eller monteres sagblad.

Rengjør apparatet og verneinnretningen med en tørr klut. Noen rensedmidler skader plastikken eller andre isolerte deler. Hold apparatet rent, tørt og fritt for oljen og fett som skilles ut. Kontroller funksjonen til vernehettene. Regelmessig vedlikehold og rengjøring sørger for lang levetid og sikker håndtering.

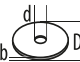
Bruk kun AEG tilbehør og AEG reservedeler. Komponenter der utskifting ikke er beskrevet skal skiftes ut hos AEG kundeservice (se brosjyre garanti/kundeserviceadresser).

Ved behov kan det fås en eksplosjonstegning av apparatet hos kundeservice eller direkte hos Techtronic Industries GmbH, Max-Eyth-Straße 10, 71364 Winnenden, Germany ved angivelse av maskinens type og det sekstallige nummeret på maskinens skilt.

54 NORSK

SYMBOLER

	OBS! ADVARSEL! FARE!
	Ta ut vekselbatteriet før du arbeider på maskinen
	Les nøye gjennom bruksanvisningen før maskinen tas i bruk.
	Bruk vernehansker !
	Bruk hørselsvern! Bruk alltid vernebrille når du arbeider med maskinen. Bruk derfor vernemaske som er egnet for støv.
	Tilbehør - inngår ikke i leveransen, anbefalt komplettering fra tilbehørsprogrammet.
	Elektriske apparater, batterier/oppladbare batterier skal ikke kastes sammen med vanlig husholdningsavfall. Elektriske og elektroniske apparater og oppladbare batterier skal samles separat og leveres til miljøvennlig deponering hos en avfallsbedrift. Informér deg hos myndighetene på stedet eller hos din fagforhandler hvor det finnes recycling bedrifter og oppsamlingssteder.
	Rotasjons retning
	Nominelt turtall
	Spenning
	Likestrøm
	Europeisk samsvarsmerke
	Ukrainsk samsvarsmerke
	Euroasiatisk samsvarsmerke

Produktionsnummer	4774 12 01...
.....	...000001-999999
Märkvarvtal	20000 min ⁻¹
 D=kapskiva ø	76 mm
d=ø hål	10 mm
b=Kapskivstjocklek min. / max.	1 mm / 2,8 mm
Sågdjup max.	16,3 mm
Batterispanning	18 V
Vikt enligt EPTA 01/2014 (2.0...6,0 Ah)	1,2...1,7 kg
Rekommenderad omgivningstemperatur vid arbete.....	-18...+50 °C
Rekommenderade batterityper	L1860R, L1850R, L1840R, L1830R, L1825R, L1820R, L1815R, L1820S
Rekommenderade laddare	BL1218, BLK1218; AL1218G; AL18G

Buller-/vibrationsinformation (kapa betong)

Mätvärdena har tagits fram baserade på EN 60 745.

A-värdet av maskinens ljudtrycksnivå är

Ljudtrycksnivå (Onoggrannhet K=3dB(A))..... 102,0 dB (A)

Ljudeffektsnivå (Onoggrannhet K=3dB(A))..... 91,0 dB (A)

Använd hörselskydd!

Totala vibrationsvärden (vektorsumma ur tre riktningar)

framtaget enligt EN 60745.

Vibrationsemissionsvärde $a_{n,SG}$ 4,2 m/s²

Onoggrannhet K=..... 1,5 m/s²

VARNING

Den i de här anvisningarna angivna vibrationsnivån har uppmätts enligt ett i EN 60745 normerat mätförfarande och kan användas vid jämförelse mellan olika elverktyg. Nivån är även lämplig att använda vid en preliminär bedömning av vibrationsbelastningen.

Den angivna vibrationsnivån representerar den huvudsakliga användningen av det aktuella elverktyget. Men om elverktyget ska användas i andra användningsområden, tillsammans med avvikande insatsverktyg eller efter otillräckligt underhåll, kan vibrationsnivån skilja sig. Det kan öka vibrationsbelastningen betydligt under hela arbetstiden.

För att få en exaktare bedömning av vibrationsbelastningen ska även den tid beaktas, under vilken elverktyget är avstängt eller är påslaget, utan att det verkligen används. Det kan reducera vibrationsbelastningen betydligt under hela arbetstiden.

Lägg som skydd för användaren fast extra säkerhetsåtgärder mot vibrationernas verkan, som till exempel: underhåll av elverktyg och insatsverktyg, varmhållning av händer och organisering av arbetsförlopp.

⚠ VARNING! Läs noga igenom alla säkerhetsanvisningar, illustrationer och specifikationer som medföljer detta elverktyg. Fel som uppstår till följd av att anvisningarna nedan inte följts kan orsaka elstöt, brand och/eller allvarliga kroppsskador. Förvara alla varningar och anvisningar för framtida bruk.

⚠ SÄKERHETSANVISNINGAR FÖR CIRKELSÄGAR

a) Skyddskåpan som hör till elverktyget ska vara säkert monterad och så inställd, att man har maximal säkerhet, d.v.s. en så liten del av slipkroppen som möjligt ska öppet visa mot användaren. Se till att du själv och andra personer i närheten befinner sig utanför området där slipskivan roterar. Skyddskåpan ska skydda användaren mot delar som lossnar och mot oavsiktlig kontakt med slipkroppen.

b) Använd endast kapskivor med latent förstärkning eller med diamantbeläggning för ditt elverktyg. Bara för att det går att fästa en tillbehörsdel på ditt elverktyg innebär det inte att användningen är säker.

c) Det tillåtna varvtalet för insatsverktyget måste minst vara så högt som angivet högsta varvtal på elverktyget. Tillbehör som roterar snabbare än tillåtet, kan gå sönder och flyga omkring.

d) Slipkroppar får användas endast för rekommenderade arbeten. T. ex.: Slipa aldrig med kapskivans sidoyta. Kapskivor är avsedda för materialavverkning med skivans kant. Om tryck från sidan utövas mot slipkroppen kan den spricka.

e) Använd alltid felfria spännflansar i rätt storlek för den valda kapskivan. Lämpliga flansar stöder kapskivan och minskar risken för brott av kapskivan.

f) Använd inte nedslitna slipskivor från större elverktyg. Slipskivor för större elverktyg är inte konstruerade för de mindre elverktygens högre varvtal och kan därför spricka.

g) Insatsverktygets ytterdiameter och tjocklek ska överensstämma med måttuppgifterna för elverktyget. Ett felaktigt dimensionerat insatsverktyg kan inte avskämmas eller kontrolleras i tillräcklig utsträckning.

h) Slipskivor och flansar måste passa exakt på slippindeln på ditt elverktyg. Insatsverktyg som inte passar exakt på elverktygets slippindel roterar ojämnt, vibrerar mycket kraftigt och kan leda till att man förlorar kontrollen över elverktyget.

i) Använd inga slipskivor som är skadade på något sätt. Kontrollera innan varje användning om slipskivan är skadad eller har sprickor. Om elverktyget eller slipskivan skulle falla ner är det viktigt att kontrollera att varken verktyget eller slipskivan har tagit skada eller använd direkt en slipskiva som helt säkert inte är skadad. När du har kontrollerat slipskivan och satt fast den är det viktigt att se till att du själv och andra personer i närheten befinner sig utanför området där slipskivan roterar och låt sedan verktyget gå i en minut med max. varvtal. Skadade slipskivor går i regel sönder under denna testtid.

j) Använd personlig skyddsutrustning. Använd alltefter avsett arbete ansiktsskärm, ögonskydd eller skyddsglasögon. Om så behövs, använd dammfiltermask, hörselskydd, skyddshandskar eller skydds-

förklåde som skyddar mot små utslungade slip- och materialpartiklar. Ögonen ska skyddas mot utslungade främmande partiklar som kan uppstå under arbetet. Damm- och andningsskydd måste kunna filtrera bort det damm som eventuellt uppstår under arbetet. Risk finns för hörselskada under en längre tids kraftigt buller.

k) Se till att andra personer håller ett säkert avstånd till ditt arbetsområde. Alla som närmar sig arbetsområdet måste bära personlig skyddsutrustning. Brottstycken från verktyget eller brutna insatsverktyg kan flyga iväg och orsaka personskadorna även utanför arbetsområdet.

l) Om sliptillbehöret kan komma i kontakt med dolda strömförande ledningar ska du alltid ta tag i elverktygets isolerade greppytor. Vid kontakt med en strömförande kabel kan även elverktygets metalldelar bli strömförande och ge användaren en elektrisk stöt.

m) Lagg aldrig ifrån dig elverktyget förrän insatsverktyget är helt stillastående. Det roterande insatsverktyget kan komma i kontakt med underlaget och du kan då förlora kontrollen över elverktyget.

n) Elverktyget får inte rotera när det bärs. Kläder kan vid tillfällig kontakt med det roterande insatsverktyget dras in varvid insatsverktyget dras mot din kropp.

o) Rengör regelbundet elverktygets ventilationsöppningar. Motorfläkten drar in damm i huset och en kraftig anhopning av metalldamm kan orsaka farliga elströmmar.

p) Använd inte insatsverktyg som kräver kylvätska. Användningen av vatten eller andra flytande kylmedel kan leda till elektriska stötar.

Ytterligare säkerhetsanvisningar för användningen av kapskivor

Bakslag och motsvarande säkerhetsanvisningar

Ett kraftigt bakslag är en plötslig reaktion om en roterande slipskiva har kommit i kläm. Detta leder till att det roterande insatsverktyget stoppar omedelbart, vilket i sin tur leder att elverktyget som man då inte längre har under kontroll accelererar mot insatsverktygets rotationsriktning på stället där det har kommit i kläm.

Om t. ex. en slipskiva hakar upp sig eller blockerar i arbetsstycket kan slipskivans kant i arbetsstycket klämmas fast varvid slipskivan bryts sönder eller orsakar bakslag. Slipskivan rör sig nu mot eller bort från användaren beroende på skivans rotationsriktning vid inklämningsstället. Härvid kan slivskivor även brista.

Bakslag uppstår till följd av missbruk eller felaktig hantering av elverktyget. Detta kan undvikas genom skyddsåtgärder som beskrivs nedan.

a) Håll stadigt i elverktyget samt kroppen och armarna i ett läge som är lämpligt för att motstå bakslagskrafter. Använd alltid stödhandskivet för bästa möjliga kontroll av bakslagskrafter och reaktionsmoment vid start. Användaren kan genom lämpliga försiktighetsåtgärder bättre behärska bakslags- och reaktionskrafterna.

b) Håll alltid handen på betryggande avstånd från det roterande insatsverktyget. Insatsverktyget kan vid ett bakslag gå mot din hand.

c) Undvik att uppehålla dig i området framför och bakom den roterande kapskivan. Elverktygets bakslag gör att det rör sig i motsatt riktning till slipskivans rörelseriktning på stället där verktyget har kommit i kläm.

d) Var särskilt försiktig vid bearbetning av hörn, skarpa kanter osv. Håll emot så att insatsverktyget inte studsar ut från arbetsstycket eller kommer i kläm. På hörn, skarpa kanter eller vid studsning tenderar det roterande insatsverktyget att komma i kläm. Detta kan leda till att kontrollen förloras eller att bakslag uppstår.

e) Använd inget kedjesågblad eller sågblad med kuggar och ingen segmenterad diamantskiva med spår som är mer än 10 mm breda. Sådana insatsverktyg leder

ofta till bakslag eller till att man förlorar kontrollen över elverktyget.

f) Se till att kapskivan inte kommer i kläm och att den inte utsätts för högt mottryck. Försök inte skära för djupt. Om kapskivan överbelastas ökar dess påfrestning och risk finns för att den snedvrids eller blockerar som sedan kan resultera i bakslag eller slipkroppsbrutt.

g) Om kapskivan kommer i kläm eller arbetet avbryts, koppla från elverktyget och håll det lugnt tills skivan stannat fullständigt. Försök aldrig dra ut en roterande kapskiva ur skärspåret då detta kan leda till bakslag. Lokalisera och åtgärda orsaken för inklämning.

h) Koppla inte åter på elverktyget om det sitter i arbetsstycket. Låt kapskivan uppnå fullt varvtal innan den försiktigt förs in i skärspåret för fortsatt knapning. I annat fall kan skivan haka upp sig, hoppa ur arbetsstycket eller orsaka bakslag.

i) För att reducera risken för ett bakslag till följd av inklämd kapskiva ska skivor och andra stora arbetsstycken stödas. Stora arbetsstycken kan böjas ut till följd av hög egenvikt. Arbetsstycket måste därför stödas på båda sidorna både i närheten av skärspåret och vid kanten.

j) Var speciellt försiktig vid "fickknapning" i dolda områden som t. ex. i en färdig vägg. Där risk finns att kapskivan kommer i kontakt med gas- eller vattenledningar, elledningar eller andra föremål som kan orsaka bakslag.

ÖVRIGA SÄKERHETS- OCH ANVÄNDNINGSPÅTÄNKNINGAR

Det tillåtna varvtalet för insatsverktyget måste minst vara så högt som angivet högsta varvtal på elektroverktyget. Tillbehör som roterar snabbare än tillåtet, kan gå sönder och flyga omkring.

Använd skyddsutrustning. Använd alltid skyddsglasögon när du använder maskinen. Som skyddsutrustning rekommenderar vi t. ex. en dammskyddsmask, skyddshandskar, stabila och halksäkra skor, hjälm och hörselskydd.

Det damm som bildas under arbetets gång är ofta hälsofarligt och det ska inte komma in i kroppen. Bär därför lämplig skyddsmask.

Det är inte tillåtet att bearbeta material som kan vara hälsovådligt (t. ex. asbest).

Stäng av maskinen omedelbart om ett verktyg som används sitter fast! Sätt sedan inte på maskinen igen så länge som verktyget som används fortfarande sitter fast; risk för okontrollerade slag med högt reaktionsmoment. Ta reda på orsaken varför verktyget fastnade och åtgärda orsaken med hänsyn till säkerhetsanvisningarna.

Möjliga orsaker kan vara:

- Verktyget sitter snett i arbetsstycket
- Verktyget går igenom materialet som bearbetas
- Elverktyget är överbelastat

gå aldrig med händerna in i en maskin som är igång.

Verktyget som används kan bli mycket varmt under användningen.

- vid verktygsbyte
- när man lägger ifrån sig maskinen

Vid arbetenborring i vägg, tak eller golv, var alltid observant på befintliga el-, gas- eller vattenledningar.

Drag ur batteripaketet innan arbetet utföres på maskinen.

Kasta inte förbrukade batterier. Lämna dem till AEG Tools för återvinning.

Förvara ej batteriet ihop med metallföremål, kortslutning kan uppstå.

System GBS batterier laddas endast i System GBS laddare. Ladda inte batterier från andra system.

Batterier lagras torrt och skyddas för fukt.

Under extrem belastning eller extrem temperatur kan batterivätska tränga ut ur skadade utbytesbatterier. Vid beröring med batterivätska tvätta genast av med vatten och tvål. Vid ögonkontakt spola genast i minst 10 minuter och kontakta genast läkare.

Varning! För att undvika den fara för brand, personskador eller produktskador som orsakas av en kortslutning, doppa inte ner verktyget, utbytesbatteriet eller laddaren i vätskor och se till att ingen vätska kan tränga in i apparaterna eller batterierna. Korroderande eller ledande vätskor, som saltvatten, vissa kemikalier, blekningsmedel eller produkter som innehåller blekmedel, kan orsaka en kortslutning.

ANVÄND MASKINEN ENLIGT ANVISNINGARNA

Detta skärverktyg är avsett att användas för att skära olika material.

Maskinen får endast användas för angiven tillämpning.

För att minimera risken för personskador, använd bara diamantslipskivor av Typ 1 med en maximal tjocklek på 2,8 mm, vilka kan drivas säkert med ett minsta varvtal på 20 000 min⁻¹. Slipskivor av Typ 1 är bara lämpliga för kantslipning, inte för yt slipning. Observera alla säkerhetsanvisningar som levereras tillsammans med kapningskivor.

Använd översikten nedan för att välja passande slipskiva. Beroende på material ska olika slipskivor användas. Observera bruksanvisningen från slipskivans tillverkare.

Skivtyp	För slipning av
Karbidslipskiva	Gipskartong, plast
Kapningsslipskiva	Stål rostfritt stål, icke järnhaltiga material
Diamantslipskiva	Klinker, betong, tegelsten, keramik, fibercement

ÖVERBELASTNINGSSKYDD

Om motorn överbelastas för mycket slår överlastskyddet till. För att kunna fortsätta arbeta måste man först fränkoppla maskinen och sedan tillkoppla den igen.

CE-FÖRSÄKRAN

Vi intygar och ansvarar för att den produkt som beskrivs under „Tekniska data“ överensstämmer med alla relevanta bestämmelser i direktiv 2011/65/EU (RoHS), 2014/30/EU, 2006/42/EG och följande harmoniserade normerande dokument:

EN 60745-1:2009+A11:2010
EN 60745-2-22:2011+A11:2013
EN 55014-1:2017+A11:2020
EN 55014-2:2015
EN IEC 63000:2018

Winnenden, 2020-06-30


Alexander Krug
Managing Director



Befullmäktigad att sammanställa teknisk dokumentation.

Techtronic Industries GmbH
Max-Eyth-Strasse 10
71364 Winnenden
Germany

BATTERIER

Batteri som ej använts på länge måste laddas före nytt bruk.

En temperatur över 50°C reducerar batteriets effekt. Undvik längre uppvärmning tex i solen eller nära ett element.

Se till att anslutningskontaktarna i laddaren och på batteriet är rena.

För en optimal livslängd ska batterierna laddas helt igen efter användningen.

För att få en så lång livslängs som möjligt bör laddningsbara batterier avlägsnas från laddaren när de är laddade.

Om laddningsbara batterier lagras längre än 30 dagar: Lagra batteriet torrt och vid ca 27°C. Lagra batteriet vid ca 30%-50% av laddningskapaciteten. Ladda batterierna på nytt var 6:e månad.

BATTERI-ÖVERBELASTNINGSSKYDD

Batteripaketet är utrustat med ett överlastskydd som skyddar batteriet mot överbelastning och därmed säkerställer en lång livslängd.

Vid extremt stark belastning stänger batterielektroniken av maskinen automatiskt. Stäng först av och slå sedan på maskinen igen för att fortsätta att arbeta. Skulle maskinen inte starta igen, är batteripaketet kanske urladdat och måste på laddas upp igen i laddaren.

TRANSPORTERA LITIJUMJON-BATTERIER

För litiumjon-batterier gäller de lagliga föreskrifterna för transport av farligt gods på väg.

Därför får dessa batterier endast transporteras enligt gällande lokala, nationella och internationella föreskrifter och bestämmelser.

- Konsumenter får transportera dessa batterier på allmän väg utan att behöva beakta särskilda föreskrifter.
- För kommersiell transport av litiumjon-batterier genom en speditorsfirma gäller emellertid bestämmelserna för transport av farligt gods på väg. Endast personal som känner till alla tillämpliga föreskrifter och bestämmelser får förbereda och genomföra transporten. Hela processen ska följas upp på fackmässigt sätt.

Följande ska beaktas i samband med transporten av batterier:

- Säkerställ att alla kontakter är skyddade och isolerade för att undvika kortslutning.
- Se till att batteripacken inte kan glida fram och tillbaka i förpackningen.
- Transportera aldrig batterier som läcker, har runnit ut eller är skadade.

För mer information vänligen kontakta din speditorsfirma.

SKÖTSEL

Se till att motorhöljets luftslitsar är rena.

Koppla alltid bort verktyget från eluttaget innan du sätter dit eller tar bort sägklingan.









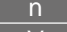





Rengör både verktyget och skyddsanordningen med en torr trasa. En del rengöringsmedel skadar plastmaterialet eller andra isolerade delar på verktyget. Se till att verktyget alltid är rent och torrt samt fri från olja eller fett. Kontrollera alltid skyddskåparnas felfria funktion. Regelbundet underhåll och regelbunden rengöring är förutsättning för en lång livslängd och säker användning.

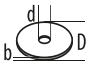
Använd endast AEG.-tillbehör och AEG.-reservdelar. Komponenter, för vilka inget byte beskrivs, skall bytas ut hos AEG.-kundtjänst (se broschyren garanti-/kundtjänstadresser).

Vid behov kan du rekvidrera apparatens sprängkiss antingen hos kundservicen eller direkt hos Techtronic

Industries GmbH, Max-Eyth-Straße 10, 71364 Winnenden, Germany. Du ska då ange maskintypen och numret på sex siffror som står på effektskylten.

SYMBOLER

	OBSERVERA! VARNING! FARA!
	Drag ur batteripaket innan arbete utföres på maskinen.
	Läs instruktionen noga innan du startar maskinen.
	Bär skyddshandskar!
	Använd hörselskydd! Använd alltid skyddsglasögon. Bär därför lämplig skyddsmask.
	Tillbehör - Ingår ej i leveransomfånget, erhålles som tillbehör.
	Elektriska maskiner, batterier/uppladdningsbara batterier och får inte slängas tillsammans med de vanliga hushållssoporna. Elektriska maskiner och uppladdningsbara batterier ska samlas separat och lämnas till en avfallsstation för miljövänlig avfallshantering. Kontakta den lokala myndigheten respektive kommunen eller fråga återförsäljare var det finns speciella avfallsstationer för elskrot.
	Rotation framåt
	Märkvarvtal
	Spänning
	Likström
	Europeiskt konformitetsmärke
	Ukrainskt konformitetsmärke
	Euroasiatiskt konformitetsmärke

Tuotantonomero	4774 12 01...
	...000001-999999
Nimellinen kierrosluku	20000 min ⁻¹
 D=Katkaisulaikan ø	76 mm
d=porausreikä-ø	10 mm
b=Katkaisulaikan paksuus min. / max.	1 mm / 2,8 mm
Leikkaussyvytydet	16,3 mm
Jännite vaihtoakku	18 V
Paino EPTA-menetelyn 01/2014 mukaan (2,0...6,0 Ah)	1,2...1,7 kg
Suosittelun ympäristön lämpötila työn aikana	-18...+50 °C
Suosittelut akkutyypit	L1860R, L1850R, L1840R, L1830R, L1825R, L1820R, L1815R, L1820S
Suosittelut latauslaitteet	BL1218, BLK1218; AL1218G; AL18G

Melunpäästö-/tärinätiedot (betonin leikkaaminen)

Mitta-arvot määritetty EN 60 745 mukaan.

Yleensä työkalun A-luokan melutaso

Melutaso (Epävarmuus K=3dB(A))

102,0 dB (A)

Äänenvoimakkuus (Epävarmuus K=3dB(A))

91,0 dB (A)

Käytä kuulosuojaimia!

Värähtelyn yhteisarvot (kolmen suunnan vektorisumma)

mitattuna EN 60745 mukaan.

Värähtelyemissioarvo a_{n,SG}

4,2 m/s²

Epävarmuus K=

1,5 m/s²

VAROITUS

Näissä ohjeissa mainittu värähtelytaso on mitattu EN 60745 -standardin mukaisella mittausmenetelmällä ja sitä voidaan käyttää sähkötyökalujen vertaamiseen. Sitä voidaan käyttää myös värähtelyrasituksen väliaikaiseen arviointiin.

Mainittu värähtelytaso edustaa sähkötyökalun pääasiallista käyttöä. Jos sähkötyökalua kuitenkin käytetään muihin tehtäviin, poikkeavin työkaluin tai riittämättömästi huoltaen, värähtelytaso voi olla erilainen. Se voi korottaa värähtelyrasitusta koko työajan osalta.

Tarkan värähtelyrasituksen toteaminen tulee ottaa huomioon aika, jona laite on kytketty pois tai on kylläkin päällä, mutta ei käytössä. Se voi pienentää värähtelyrasitusta koko työajan osalta.

Määrittele lisäturvatoimenpiteitä käyttäjän suojaamiseksi värinöiden vaikutukselta, kuten esimerkiksi: sähkötyökalujen ja käyttötyökalujen huolto, käsien lämpimän pitäminen, työväliheiden organisaatio.

VAROITUS Lue kaikki turvallisuusmääräykset, ohjeet, kuvitukset ja erittelyt, jotka toimitetaan tämän sähkötyökalun mukana. Jäljempänä annettujen ohjeiden noudattamisen laiminlyönti saattaa johtaa sähköiskuun, tulipaloon ja/tai vakavaan loukkaantumiseen. **Säilytä kaikki turvallisuus- ja muut ohjeet tulevaisuutta varten.**

VAROITUS PYÖRÖSAHOJEN TURVALLISUUSMÄÄRÄYKSET

a) Sähkötyökaluun kuuluva suojakupu tulee kiinnittää pitävästi ja säätää se niin, että saavutetaan suurin mahdollinen turvallisuus, ts. vain pienin mahdollinen katkaisuvälineen osa näyttää suojaamatta käyttäjään. Pysytele itse ja pidä muut lähistöllä olevat henkilöt pyörivän katkaisulaikan tason ulkopuolella. Suojakuvun tulee suojata käyttäjää hiomavälineen palasilta ja satunnaiselta kontaktilta siihen.

b) Käytä tässä sähkötyökalussa ainoastaan sidottuja vahvistettuja tai timanttiarmeerattuja katkaisulaikkoja. Se, että voit kiinnittää varusteen sähkötyökaluusi, ei takaa sen turvallista käyttöä.

c) Käyttötyökalun sallitun kierrosluvun täytyy olla vähintään yhtä korkea kuin sähkötyökalulla ilmoitettu korkein kierrosluku. Sallittua nopeammin pyörivät lisävarusteet voivat rikkoutua ja lentää ympäriinsä.

d) Hiomatyökaluja saa käyttää ainoastaan siihen käyttöön mihin niitä suositellaan. Esim.: Älä koskaan hio hiomalaikan sivupintaa käyttäen. Hiomalaikat on tarkoitettu hiontaan laikan ulkokehällä. Sivuttain kohdistuva voima saattaa murtaa hiomalaikan.

e) Käytä aina vahingoittumattomia oikean kokoisia kiristyslaippoja valitsemallesi katkaisulaikalle. Sopivat

laipat tukevat katkaisulaikkaa ja vähentävät siten katkaisulaikan murtumisvaaraa.

f) Älä käytä isompiin sähkötyökaluihin kuuluneita kuluneita hiomalaikkoja. Suurempien sähkötyökalujen hiomalaikat eivät sovellu pienempien sähkötyökalujen suuremmille kierrosluville, ja ne voivat murtua.

g) Käyttötyökalun ulkohalkaisijan ja paksuuden täytyy vastata sähkötyökalun mittatietoja. Väärin mitoitettuja käyttötyökaluja ei voida suojata tai kontrolloida riittävästi.

h) Hiomalaikkojen ja laipan tulee sopia tarkalleen sähkötyökalusi karaan. Vaihtotyökalut, jotka eivät sovi tarkalleen sähkötyökalun hiomakaraan, pyörivät epäkeskoisesti, tärkevät voimakkaasti ja saattavat aiheuttaa hallinnan menetyksen.

i) Älä käytä vahingoittuneita hiomalaikkoja. Tarkasta ennen joka käyttöä, ettei hiomalaikoissa ole lohkeamia tai repeämiä. Jos sähkötyökalu tai hiomalaikka pääsee putoamaan, tarkasta, onko se vahingoittunut, tai käytä vahingoittumatonta hiomalaikkaa. Kun olet tarkastanut hiomalaikan ja pannut sen paikalleen, pysytele lähellä olevien henkilöiden kera pyörivän hiomalaikan tason ulkopuolella ja anna laitteen käydä minuutin ajan suurimmalla kierrosluvulla. Vahingoittuneet hiomalaikat särkyvät useimmiten tämän koestusajan kuluessa.

j) Käytä henkilökohtaisia suojavarusteita. Käytännöstä riippuen kokokasvonaamiota, silmäsuojusta tai suojalaseja. Jos mahdollista, käytä pölynaamaria, kuulonsuojainta, suojakäsineitä tai erikoissuojavaatetta, joka suojaa sinut pienistä hioma- ja materiaalihiukkasilta. Silmät tulee suojata lenteleviltä vierailta esineiltä, jotka saattavat syntyä erilaisessa käytössä. Pöly- tai hengityssuojanaamareiden täytyy suodattaa pois työstössä

60 SUOMI

470 349 - BMMS18SBL.indd 60

09.06.2020 09:55:39

TM!by <https://tm.by>
Интернет-магазин TM.by
ONLINE STORE

syntyvä pöly. Jos olet pitkään alltiina voimakkaalle melulle, saattaa se vaikuttaa heikentävästi kuuloon.

k) Huolehdi siitä, että muut henkilöt ovat turvallisen välimatkan päässä työalueestasi. Jokaisen, joka astuu työalueelle, täytyy käyttää henkilökohtaisia suojavarustuksia. Työstettävän kappaleen tai rikkoutuneiden käyttötyökalujen irtonaiset palat voivat lentää ympäriinsä ja aiheuttaa loukkaantumisia myös varsinaisen työalueen ulkopuolella.

l) Tiössä, joissa hiomaisla ke voi koskettaa piilossa oleviin jännitteellisiin johtoihin, tulee sähkötyökalua aina pidellä vain sen eristetyistä tarttumapinnoista. Jännitteelliseen johtoon koskettaminen voi tehdä myös työkalun metalliosat jännitteellisiksi ja antaa käyttäjälle sähköiskun.

m) Älä koskaan laske sähkötyökalua pois, ennen kuin käyttötyökalu on pysähtynyt täydellisesti. Pyörivä käyttötyökalu voi joutua kosketuksiin laskeutumispinnan kanssa, minkä seurauksena voit menettää sähkötyökalun hallinnan.

n) Älä koskaan pidä sähkötyökalua käynnissä sitä kan- taessasi. Vaatteesi voi hetkellisen kosketuksen seurauk- sena tarttua kiinni pyörivään vaihtotyökaluun, joka saattaa porautua kehoosi.

o) Puhdista sähkötyökalusi tuuletusaukot säännöllii- sestä. Moottorin tuuletin imee pölyä työkalun koteloon, ja voimakas metallipölyn kasautuma voi synnyttää sähköisiä vaaratilanteita.

p) Älä ota käyttöön työkaluja, jotka vaativat nestemäi- siä jäähdytysaineita. Veden tai muiden nestemäisten jä- ähdytysaineiden käytöstä voi olla seurauksena sähköisku.

Katkaisuhiomasovellusten täydentävät turvallisuusohjeet

Takaisku ja vastaavat turvaohjeet

Takaisku on kiinnitarttuvan tai juuttuneen pyörivän hiomalaikan äkillinen reaktio. Kiinnitarttuminen tai juuttuminen aiheuttaa pyörivän vaihtotyökalun äkillisen pysähtymisen. Tästä aiheutuu hallitsemattoman sähkötyökalun kiihtyminen juuttumiskohdalla liitetyn työkalun kiertosuunnan vastaiseen suuntaan.

Jos esim. hiomalaikka tarttuu tai joutuu puristukseen työkalupaleeseen, saattaa hiomalaikan reuna, joka on uponnut työkalupaleeseen, juuttua kiinni aiheuttaen hiomalaikan ponnahtuksen ulos työkalupaleesta tai aiheuttaa takaiskun. Hiomalaikka liikkuu silloin käyttävää henkilöä vasten tai pois päin hänestä, riippuen laikan kiertosuunnasta tarttumakohdassa. Tällöin hiomalaikka voi myös murtua.

Takaisku johtuu sähkötyökalun väärinkäytöstä tai käytöstä väärään tarkoitukseen. Se voidaan estää sopivin varotoimin, joita selostetaan seuraavassa.

a) Pitele sähkötyökalua tukevasti ja saata kehosi ja kä- sivartesi asentoon, jossa pystyt vastaamaan takaisku- voimiin. Käytä aina lisäkavvaa, jos sinulla on sellainen, jotta pystyisit parhaalla mahdollisella tavalla hallitse- maan takaiskuvaimia tai vastamomenteja työkalun ryntökäynnissä. Käyttävä henkilö pystyy hallitsemaan takaisku ja vastamomenttivoimat noudattamalla sopivia suojatoimenpiteitä.

b) Älä koskaan tuo kättäsi lähelle pyörivää vaihtotyö- kalua. Vaihtotyökalu saattaa takaiskun sattuessa liikkua kätesi yli.

c) Vältä aluetta pyörivän katkaisulaikan edessä ja takana. Takapotku painaa sähkötyökalua vastapäiseen suuntaan kuin hiomalaikan liike juuttumiskohdassa.

d) Työkentele erityisen varovasti kulmien, terävien reunojen jne. alueella, estä vaihtotyökalua ponnahta- masta takaisin työkalupaleesta ja juuttumasta kiinni. Pyörivällä vaihtotyökalulla on taipumus juuttua kiinni

kulmissa, terävissä reunoissa tai saadessaan kimmokkeen. Tämä johtaa hallinnan pettämiseen tai takaiskuun.

e) Älä käytä mitään ketju- tai hammastettua sahanterää tai mitään segmentoitua timanttilaikkaa, jonka raot ovat yli 10 mm leveät. Nämä vaihtotyökalut aiheuttavat useasti takapotkuja tai sähkötyökalun hallinnan menetyksen.

f) Vältä katkaisulaikan juuttumista kiinni ja liian suurta syöttöpainetta. Älä tee liian syviä leikkauksia. Katkaisulaikan ylikuormitus kasvattaa sen rasitusta ja sen alltiutta kallistua tai juuttua kiinni ja siten takaiskun ja laikan murtumisen mahdollisuutta.

g) Jos katkaisulaikka joutuu puristukseen tai keskeyttä- työn, tulee sinun pysäyttää sähkötyökalu ja pitää se rauhallisesti paikoillaan, kunnes laikka on pysähtynyt. Älä koskaan koeta poistaa vielä pyörivää katkaisu- laikkaa leikkauksesta, se saattaa aiheuttaa takaiskun. Määrittele ja poista puristukseen joutumisen syy.

h) Älä käynnistä sähkötyökalua uudelleen, jos laikka on kiinni työkalupaleessa. Anna katkaisulaikan ensin saavuttaa täysi kierroslukunsa, ennen kuin varovasta jatkaj leikkausta. Muussa tapauksessa saattaa laikka tarttua kiinni, ponnahtaa ulos työkalupaleesta tai aiheuttaa takaiskun.

i) Tue litteät tai isot työkalupaleet, katkaisulaikan puristuksen aiheuttaman takaiskuvaaran minimoimi- seksi. Suuret työkalupaleet voivat taipua oman painonsa takia. Työkappaletta tulee tukea molemmilta puolilta, sekä katkaisuleikkauksen viereistä, että reunoista.

j) Ole erityisen varovainen upotusleikkauksissa sei- nin tai muihin alueisiin, joiden taustaa tai rakennetta et pysty näkemään. Uppoava katkaisulaikka saattaa aiheut- taä takaiskun osuessaan kaasutai vesiputkiin, sähköjohto-ihin tai muihin kohteisiin.

TÄYDENTÄVIÄ TURVALLISUUSMÄÄRÄYKSIÄ JA TYÖSKENTELYOHJEITA

Käyttötyökalun sallittu kierrosluvun täytyy olla vähintään yhtä korkea kuin sähkötyökalulla ilmoitettu korkein kierrosluku. Sallittua nopeammin pyörivät lisävarusteet voivat rikkoutua ja lentää ympäriinsä.

Käytä suojavarusteita. Käytä aina suojalaseja käyttäessäsi konetta. Suosittelemme suojavarusteiden käyttöä, näihin kuuluvat pölysuojanaamari, työkäsiineet, tukevat, luistamattomat jalkineet, kypärä ja kuulosuojukset.

Koneen käytöstä aiheutuva pöly ja jäte voi olla haitallista terveydelle eikä sen vuoksi tulisi päästä kosketukseen ihon kanssa. Koneella työskennellessä on käytettävä sopivaa suojainta.

Terveydellisiä vaaroja aiheuttavien materiaalien (esim. asbestin) työstäminen on kiellettyä.

Jos käytetty työkalu juuttuu kiinni, sammuta laite heti! Älä kytke laitetta uudelleen päälle työkalun ollessa vielä kiinni juuttuneena, koska tästä saattaa aiheutua voimakas takaisku. Selvitä työkalun juuttumisen syy ja poista syy turvallisuusmääräyksiä noudattaen.

Mahdollisia syitä voivat olla:

- työkalun vinoutuminen työkalupaleessa
- työstetyn materiaalin puhkaiseminen
- sähkötyökalun ylikuormitus

Älä tartu käynnissä olevan koneen työosiin.

Käytetty työkalu saattaa kuumeta käytön aikana.

- työkalua vaihdettaessa
- laitetta pois laskettaessa

Varo seinään, kattoon tai lattiaan porattaessa osumasta sähköjohtoon, kaasu- tai vesijohtoihin.

Ota akku pois ennen kaikkia koneeseen tehtäviä toimenpiteitä.

Käytettyjä vaihtoakkuja ei saa polttaa eikä poistaa normaalin jätehuollon kautta. AEG:llä on tarjolla vanhoja vaihtoakkuja varten ympäristöystävällinen jätehuoltopalvelu.

Vaihtoakkuja ei saa säilyttää yhdessä metalliesineiden kanssa (oikosulkuvaara).

Käytä ainoastaan System GBS latauslaitetta System GBS akkujen lataukseen. Älä käytä muiden järjestelmien akkuja.

Vaihtoakkuja ja latauslaitteita ei saa avata. Säilytys vain kuivissa tiloissa. Suojattava kosteudelta.

Vaurioituneesta akusta saattaa erityisen kovassa käytössä tai poikkeavassa lämpötilassa vuotaa akkuhappoa. Ihonkohta, joka on joutunut kosketukseen akkuhapon kanssa on viipymättä pestävä vedellä ja saippualla. Silmä, johon on joutunut akkuhappoa, on huuhdeltava vedellä vähintään 10 minuutin ajan, jonka jälkeen on viipymättä hakeuduttava lääkärin apuun.

Varoitus! Jotta vältetään lyhytsulun aiheuttama tulipalon, loukkaantumisen tai tuotteen vahingoittumisen vaara, älä koskaan upota työkalua, vaihtoakkuja tai latauslaitetta nesteeseen ja huolehdi siitä, ettei mitään nesteitä pääse tunkeutumaan laitteiden tai akkujen sisään. Syövyttävät tai sähköä johtavat nesteet, kuten suolavesi, tietyt kemikaalit ja lalkaisuaaineet tai valkaisuaaineita sisältävät tuotteet voivat aiheuttaa lyhytsulun.

TARKOITUKSEN MUKAINEN KÄYTTÖ

Tätä katkaisutyökalua on tarkoitettu käyttämään erilaisten materiaalien leikkaamiseen.

Älä käytä tuotetta ohjeiden vastaisesti.

Tapaturmanvaaran minimoimiseksi käytä vain tyypin 1 timanttihiomalaikkoja, joiden enimmäispaksuus on 2,8 mm ja joita voidaan käyttää turvallisesti vähintään 20 000 min⁻¹ kierrosluvulla. Tyypin 1 hiomalaikat soveltuvat vain otsahiontaan, eivät tasohiontaan. Noudata kaikkia katkaisuhiomalaikkojen mukana toimitettuja turvallisuusmääräyksiä.

Käytä seuraavaa yhteenvetoa valitessasi tehtävään sopivaa hiomalaikkaa. Materiaalista riippuen tulee käyttää eri hiomalaikkoja. Huomioi hiomalaikkojen valmistajan antamat käyttöohjeet.

Laikkatyyppi	Hiottava materiaali
Karbidihiomalaikat	Kipsipahvi, muovi
Katkaisuhiomalaikat	Teräs, jaloteräs, ei-rautapitoiset materiaalit
Timanttihiomalaikat	Laatat, betoni, tiiliskivet, keramiikka, kuitusementti

YLIKUORMITUSUOJA

Jos moottorin ylikuormitus on liian suuri, niin ylikuormitusuoja laukeaa. Työn jatkamiseksi tulee kone sammuttaa ja käynnistää sitten uudelleen.

62 SUOMI

TODISTUS CE-STANDARDIN MUKAISUUDESTA

Vakuutamme yksinvastuullisesti, että kohdassa „Tekniset tiedot“ kuvattu tuote vastaa kaikkia sitä koskevia direktiivien 2011/65/EU (RoHS), 2014/30/EU, 2006/42/EY määräyksiä sekä seuraavia harmonisointia standardisoivia asiakirjoja:

EN 60745-1:2009+A11:2010
EN 60745-2-22:2011+A11:2013
EN 55014-1:2017+A11:2020
EN 55014-2:2015
EN IEC 63000:2018

Winnenden, 2020-06-30



Alexander Krug
Managing Director



Valtuutettu kokoamaan tekniset dokumentit.

Techtronic Industries GmbH
Max-Eyth-Straße 10
71364 Winnenden
Germany

AKKU

Pitkään käyttämättä olleet vaihtoakut on ladattava ennen käyttöä.

Yli 50°C lämpötilassa akun suorituskyky heikkenee. Välttämättä akkujen säilyttämistä auringossa tai kuumissa tiloissa.

Pidä aina latauslaitteen ja akun kosketuspinnat puhtaina.

Akut on ladattava täyteen käytön jälkeen optimaalisen eliniän säilyttämiseksi.

Mahdollisimman pitkän elinajan takaamiseksi akut tulee poistaa laturista lataamisen jälkeen.

Akkuja yli 30 päivää säilytettäessä:

Säilytä akku yli 27 °C:ssa ja kuivassa.

Säilytä akku sen latauksen ollessa 30 % - 50 %.

Lataa akku 6 kuukauden välein uudelleen.

AKUN YLIKUORMITUSUOJAUS

Akkusarja on varustettu ylikuormitusuojalla, joka suojaaa akkua ylikuormitukselta ja varmistaa sen pitkän elinkaaren. Äärimmäisrasituksessa akkuelektronikka sammuttaa koneen automaattisesti. Työn jatkamiseksi kone kytketään pois ja sitten jälleen päälle. Jos kone ei käynnisty uudelleen, niin akkusarja saattaa olla tyhjentyneenä ja se täytyy ladata uudelleen latauslaitteella.

LITIUM-IONI AKKUKUJEN KULJETTAMINEN

Litium-ioniakut kuuluvat vaarallisten aineiden kuljetuksesta annettujen lakien piiriin.

Näiden akkujen kuljettaminen täytyy suorittaa noudattaen paikallisia, kansallisia ja kansainvälisiä määräyksiä ja säädöksiä.

- Kuluttajat saavat ilman muuta kuljettaa näitä akkuja teitä pitkin.
- Kaupallisessa kuljetuksessa huolintaliikkeiden täytyy kuljettaa litium-ioniakkuja vaarallisten aineiden kuljetuksesta annettujen määräysten mukaisesti. Ainoastaan tähän vastaavasti koulutetut henkilöt saavat suorittaa kuljetuksen valmistelutoimet ja itse kuljetuksen. Koko prosessia tulee valvoa asiantuntevasti.

Seuraavat kohdat tulee huomioida akkuja kuljetettaessa:

- Varmista, että akkujen kontaktit on suojattu ja eristetty, jotta vältetään lyhytsulut.
- Huolehdi siitä, ettei akkusarja voi luiskahtaa paikaltaan pakkauksen sisällä.
- Vahingoittuneita tai vuotavia akkuja ei saa kuljettaa.

Pyydä tarkemmat tiedot huolintaliikkeeltäsi.

HUOLTO

Pidä moottorin ilmanottoaukot puhtaina.


Muista irrottaa laite virtalähteestä, ennen kuin kiinnität tai irrotat sahanterän.

Puhdista laite ja suojavarusteet kuivalla liinalla. Monet puhdistusaineet vahingoittavat muovia tai muita eristettyjä osia. Pidä laite puhtaana ja kuivana ja poista ulos valunut öljy tai rasva heti. Tarkasta suojakupujen toiminta. Säännöllinen huolto ja puhdistus varmistavat pitkän eliniän ja turvallisen käsittelyn.

Käytä ainoastaan AEG lisätarvikkeita ja AEG varaosia. Mikäli jokin komponentti, jota ei ole kuvailtu, tarvitsee vaihtoa ota yhteys johonkin AEG palvelupisteistä (kts. listamme takuuhuoltiliikkeiden/ palvelupisteiden osoitteista)

Tarvittaessa voit pyytää laitteen räjähdyssiirustuksen ilmoittaen konetyypin ja tyyppikilvessä olevan kuusinumeroisen luvun huoltopalvelustasi tai suoraan osoitteella Techtronic Industries GmbH, Max-Eyth-Strasse 10, 71364 Winnenden, Saksa.

SYMBOLIT

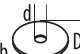
	HUOMIO! VAROITUS! VAARA!
	Ota akku pois ennen kaikkia koneeseen tehtäviä toimenpiteitä.
	Lue käyttöohjeet huolellisesti, ennen koneen käynnistämistä.
	Käytä suojakäsineitä!
	Käytä kuulosuojaimia! Käytä laitteella työskennellessäsi aina suojalaseja.
	Koneella työskennellessä on käytettävä sopivaa suojainta.
	Lisälaite - Ei sisälly vakiovarustukseen, saatavana lisätarvikkeena.
	Sähkölaitteita, paristoja/akkuja ei saa hävittää yhdessä kotitalousjätteiden kanssa. Sähkölaitteet ja akut tulee kerätä erikseen ja toimittaa kierrätysliikkeeseen ympäristöystävällistä hävittämistä varten. Pyydä paikallisilta viranomaisilta tai alan kauppialtasi tarkemmat tiedot kierrätyspisteistä ja keräyspaikoista.
	Pyörintäsuunta
	Nimellinen kierros-luku
	Jännite
	Tasavirta
	Euroopan säännönmukaisuusmerkki



Ukrainan säännönmukaisuusmerkki

Euraasian säännönmukaisuusmerkki

SUOMI 63

Αριθμός παραγωγής.....	4774 12 01...
Ονομαστικός αριθμός στροφών000001-999999 20000 min ⁻¹
 D=Διάμετρος κοπής.....	76 mm
d=διάμετρος οπής.....	10 mm
b=Πάχος δίσκου κοπής ελάχιστος / μέγιστος.....	1 mm / 2,8 mm
Μέγιστο βάθος κοπής.....	16,3 mm
Τάση ανταλλακτικής μπαταρίας.....	18 V
Βάρος σύμφωνα με τη διαδικασία ΕΡΤΑ 01/2014 (2,0...6,0 Ah)	1,2...1,7 kg
Συνιστώμενη θερμοκρασία περιβάλλοντος κατά την εργασία	-18...+50 °C
Συνιστώμενοι τύποι συσσωρευτών	L1860R, L1850R, L1840R, L1830R, L1825R, L1820R, L1815R, L1820S
Συνιστώμενες συσκευές φόρτισης.....	BL1218, BLK1218; AL1218G; AL18G

Πληροφορίες θορύβου/δονήσεων (κοπή σκυροδέματος)

Τιμές μέτρησης εξακριβωμένες κατά EN 60 745.

Τυπική Α αξιολογημένη στάθμη θορύβου:

Στάθμη ηχητικής πίεσης (Ανασφάλεια K=3dB(A))..... 102,0 dB (A)

Στάθμη ηχητικής ισχύος (Ανασφάλεια K=3dB(A))..... 91,0 dB (A)

Φοράτε προστασία ακοής (ωτασπίδες)!

Υλικές τιμές κραδασμών (άθροισμα διανυσμάτων τριών διευθύνσεων)

εξακριβώθηκαν σύμφωνα με τα πρότυπα EN 60745.

Τιμή εκπομπής δονήσεων a_{h,SG}..... 4,2 m/s²Ανασφάλεια K=..... 1,5 m/s²**ΠΡΟΕΙΔΟΠΟΙΗΣΗ**

Το αναφερόμενο σ' αυτές τις οδηγίες επίπεδο δονήσεων έχει μετρηθεί με μια τυποποιημένη σύμφωνα με το EN 60745 μέθοδο μέτρησης και μπορεί να χρησιμοποιηθεί για τη σύγκριση των ηλεκτρικών εργαλείων μεταξύ τους. Αυτό είναι επίσης κατάλληλο για μια προσωρινή εκτίμηση της επιβάρυνση των δονήσεων.

Το αναφερόμενο επίπεδο δονήσεων αντιπροσωπεύει τις κύριες χρήσεις του ηλεκτρικού εργαλείου. Εάν όμως το ηλεκτρικό χρησιμοποιείται σε άλλες χρήσεις, με διαφορετικά εργαλεία εφαρμογής ή ανεπαρκή συντήρηση, μπορεί να υπάρξει απόκλιση του επιπέδου δονήσεων. Αυτό μπορεί να αυξήσει σημαντικά την επιβάρυνση των δονήσεων για τη συνολική διάρκεια της εργασίας.

Για μια ακριβή εκτίμηση της επιβάρυνσης των δονήσεων οφείλουν επίσης να λαμβάνονται υπόψη οι χρόνοι, στους οποίους η συσκευή είναι απενεργοποιημένη ή είναι με ενεργοποιημένη αλλά δεν χρησιμοποιείται πραγματικά. Αυτό μπορεί να μειώσει σημαντικά την επιβάρυνση των δονήσεων για τη συνολική διάρκεια της εργασίας.

Καθορίστε πρόσθετα μέτρα ασφαλείας για την προστασία του χειριστή από την επίδραση των δονήσεων όπως για παράδειγμα: Συντήρηση του ηλεκτρικού εργαλείου και των εργαλείων εφαρμογής, διατηρείτε ζεστά τα χέρια, οργάνωση των διαδικασιών εργασίας.

⚠ ΠΡΟΕΙΔΟΠΟΙΗΣΗ! Διαβάστε όλες τις προειδοποιητικές υποδείξεις, οδηγίες, περιγραφές και προδιαγραφές γι' αυτό το ηλεκτρικό εργαλείο. Αμέλειες κατά την τήρηση των προειδοποιητικών υποδείξεων μπορεί να προκαλέσουν ηλεκτροπληξία, κίνδυνο πυρκαγιάς ή/και σοβαρούς τραυματισμούς.

Φυλάξτε όλες τις προειδοποιητικές υποδείξεις και οδηγίες για κάθε μελλοντική χρήση.

⚠ ΥΠΟΔΕΙΞΕΙΣ ΑΣΦΑΛΕΙΑΣ ΓΙΑ ΔΙΣΚΟΠΡΙΟΝΑ.

a) Η προστατευτική καλύπτρα που διανέμεται με το ηλεκτρικό εργαλείο πρέπει να στερεωθεί πάνω σ' αυτό και να τοποθετηθεί με τρόπο που να παρέχει την μέγιστη δυνατή προστασία, δηλ. ο χειριστής να είναι όσο το δυνατόν λιγότερο εκτεθειμένος μπροστά στον δίσκο λείανσης. Παραμείνετε και κρατήστε τα άκρα που βρίσκονται κοντά στο ηλεκτρικό εργαλείο μακριά από την περιοχή του περιστρεφόμενου δίσκου λείανσης. Η προστατευτική καλύπτρα προστατεύει τον χειριστή από ριπασμάτα και ακούσια επαφή με το λειαντικό σώμα.

b) Χρησιμοποιείτε αποκλειστικά συγκολλημένους ενισχυμένους δίσκους κοπής ή διαμαντόδίσκους κοπής για το ηλεκτρικό εργαλείο σας. Το γεγονός ότι μπορείτε να σταθεροποιήσετε τα εξαρτήματα στο ηλεκτρικό εργαλείο σας δεν εγγυάται ασφαλή χρήση.

c) Ο επιτρεπτός αριθμός στροφών του ανταλλακτικού εξαρτήματος πρέπει να είναι τουλάχιστον τόσο υψηλός όσο ο μέγιστος αριθμός στροφών που αναφέρεται επάνω στο ηλεκτρικό εργαλείο. Εξαρτήματα τα οποία περιστρέφονται με ταχύτητα μεγαλύτερη από την επιτρεπτή, ενδέχεται να σπασούν και να εκσφενδονιστούν.

d) Τα λειαντικά σώματα πρέπει να χρησιμοποιούνται μόνο για τις εργασίες που αυτά προβλέπονται. Μην λειάνετε ποτέ με την πλευρική επιφάνεια ενός δίσκου κοπής. Οι δίσκοι κοπής προορίζονται για αφαίρεση υλικού μόνο με την ακμή τους. Αυτά τα λειαντικά σώματα μπορεί να σπασούν όταν υποστούν πίεση από τα πλάγια.

e) Χρησιμοποιείτε πάντοτε άθικτες φλάντζες στερέωσης με το σωστό μέγεθος για το δίσκο κοπής, τον οποίο έχετε επιλέξει. Η κατάλληλη φλάντζα στηρίζει το δίσκο κοπής, μειώνοντας έτσι τον κίνδυνο σπασίματός του.

f) Να μη χρησιμοποιείτε μεταχειρισμένους δίσκους λείανσης από μεγαλύτερα ηλεκτρικά εργαλεία. Δίσκοι λείανσης για μεγαλύτερα λειαντικά εργαλεία δεν είναι κατάλληλοι για τους υψηλότερους αριθμούς στροφών των μικρότερων ηλεκτρικών εργαλείων και γι' αυτό μπορεί να σπασούν.

g) Η εξωτερική διάμετρος και το πάχος του ανταλλακτικού εξαρτήματος πρέπει να ανταποκρίνονται στις διαστάσεις του ηλεκτρικού σας εργαλείου. Ανταλλακτικά εξαρτήματα με εσφαλμένες διαστάσεις δε μπορούν να καλυφθούν ή να ελεγχθούν επαρκώς.

h) Οι δίσκοι λείανσης και η φλάντζα πρέπει να ταιριάζουν στο άξονα λείανσης του ηλεκτρικού εργαλείου σας. Ανταλλακτικά εξαρτήματα που δεν ταιριάζουν στον άξονα λείανσης του ηλεκτρικού εργαλείου περιστρέφονται ασύμμετρα, δονούνται υπερβολικά έντονα και μπορούν να οδηγήσουν στην απώλεια του ελέγχου του μηχανήματος.

i) Μη χρησιμοποιείτε χαλασμένους δίσκους λείανσης. Ελέγξτε πριν από κάθε χρήση τους δίσκους λείανσης να μην είναι σπασμένοι ή ραγισμένοι. Σε περίπτωση που το ηλεκτρικό εργαλείο ή ο δίσκος λείανσης πέσουν, ελέγξτε για βλάβες και χρησιμοποιήστε δίσκο λείανσης που δεν

έχει υποστεί βλάβη. Αφού ελέγξετε και τοποθετήσετε τον δίσκο λείανσης, απομακρυνθείτε και κρατήστε τα άτομα που βρισκονται κοντά στο ηλεκτρικό εργαλείο μακριά από την περιοχή του περιστρεφόμενου δίσκου λείανσης αφήνοντας το μηχανήμα ενεργοποιημένο στο μέγιστο αριθμό στροφών για ένα λεπτό. Δίσκοι λείανσης που έχουν υποστεί βλάβη σπάνε ως επί το πλείστον σε αυτό το χρόνο δοκιμής.

jj) **Να φοράτε πάντοτε τη δική σας, ατομική προστατευτική ενδυμασία. Να χρησιμοποιείτε επίσης, ανάλογα με την εκάστοτε εργασία που εκτελείτε, προστατευτικές μάσκες, προστατευτικές διατάξεις ματιών ή προστατευτικά γυαλιά. Αν χρειαστεί, φορέστε και μάσκα προστασίας από σκόνη, ωατοσπίδες προστατευτικά γάντια ή μια ειδική προστατευτική ποδιά, που θα σας προστατεύει από τυχόν εκσφενδονιζόμενα λειαντικά σωματίδια ή θραύσματα υλικού. Τα μάτια πρέπει να προστατεύονται από τυχόν αιωρούμενα σωματίδια που μπορεί δημιουργηθούν κατά την εκτέλεση των διάφορων εργασιών. Οι αντανευσιτικές και οι προστατευτικές μάσκες πρέπει να φιλτράρουν τον αέρα και να συγκρατούν τη σκόνη που δημιουργείται κατά την εργασία. Σε περίπτωση που εκτελείτε για πολύ χρόνο σε ισχυρό θόρυβο μπορεί να απωλέσετε την ακοή σας.**

kk) **Φροντίζετε, τυχόν παρειρισκόμενα άτομα να βρίσκονται πάντοτε σε ασφαλή απόσταση από το χώρο εργασίας σας. Κάθε άτομο που εισέρχεται στο χώρο εργασίας σας πρέπει να φορά ατομικό προστατευτικό εξοπλισμό. Θραύσματα του υπό κατεργασία τεμαχίου ή σπασμένων ανταλλακτικών εξαρτημάτων μπορεί να εκσφενδονιστούν και να προκαλέσουν τραυματισμούς ακόμη κι εκτός του άμεσου χώρου εργασίας.**

ll) **Να κρατάτε το ηλεκτρικό εργαλείο πάντα από τις μονωμένες επιφάνειες λαβής σε εργασίες, κατά τις οποίες θα μπορούσε να έρθει η διάταξη λείανσης σε επαφή με καλυμμένα, ρευματοφόρα καλώδια. Σε περίπτωση επαφής με ένα ρευματοφόρο καλώδιο μπορεί να γίνουν και τα μεταλλικά μέρη του ηλεκτρικού εργαλείου ρευματοφόρα και να προκαλέσουν ηλεκτροπληξία στο χειριστή.**

mm) **Μην αποθέτετε το ηλεκτρικό εργαλείο ποτέ, προτού το ανταλλακτικό εξάρτημα ακινητοποιηθεί πλήρως. Το περιστρεφόμενο ανταλλακτικό εξάρτημα μπορεί να έρθει σε επαφή με την επιφάνεια απόθεσης με αποτέλεσμα να χάσετε τον έλεγχο του.**

nn) **Μην αφήσετε ο ηλεκτρικό εργαλείο να εργάζεται όταν το μεταφέρετε. Τα ρούχα σας μπορεί να τυλιχτούν τυχαίως στο περιστρεφόμενο εργαλείο κι αυτό να τρυπήσει το σώμα σας.**

oo) **Να καθαρίζετε τακτικά τις σχισμές αερισμού του ηλεκτρικού εργαλείου σας. Η υπερρωή του κινητήρα τραβάει σκόνη μέσα στο περιβλήμα και η συσσώρευση μεταλλικής σκόνης μπορεί να δημιουργήσει ηλεκτρικούς κινδύνους.**

pp) **Μη χρησιμοποιείτε ανταλλακτικά εξαρτήματα τα οποία απαιτούν ψυκτικά υγρά. Η χρήση νερού ή άλλων ψυκτικών υγρών μπορεί να προκαλέσει ηλεκτροπληξία.**

Περαιτέρω οδηγίες ασφαλείας για χρήση των δίσκων κοπής και λείανσης

Κλότσημα και σχετικές υποδείξεις ασφαλείας

Κλότσημα είναι η ξαφνική αντίδραση ως επακόλουθο γαντζωμένου ή μπλοκαρισμένου περιστρεφόμενου δίσκου λείανσης. Το γαντζωμα ή το μπλοκάρισμα οδηγούν σε αιφνίδιο σταμάτημα του περιστρεφόμενου ανταλλακτικού εξαρτήματος. Αυτό έχει ως αποτέλεσμα το ανεξέλεγκτο ηλεκτρικό εργαλείο στην εστία του μπλοκαρισματος να κατευθυνθεί αντίστροφα προς τη φορά περιστροφής του ανταλλακτικού εξαρτήματος.

Όταν π. χ. ένας δίσκος κοπής σφηνώσει ή μπλοκάρει μέσα στο υπό κατεργασία υλικό, τότε η ακμή του δίσκου που βυθίζεται μέσα στο υλικό μπορεί να στρεβλώσει και ακολουθήσει ο δίσκος κοπής να πεταχτεί με ορμή και ανεξέλεγκτα από το υλικό ή να προκαλέσει κλότσημα. Όταν συμβεί αυτό ο δίσκος κοπής κινείται με κατεύθυνση προς το χειριστή/χειρίστρια ή και αντίθετα, ανάλογα με τη φορά περιστροφής στο σημείο μπλοκαρισματος. Σε τέτοιες περιπτώσεις δεν αποκλείεται ακόμη και το σπάσιμο των δίσκων κοπής.

Το κλότσημα είναι το αποτέλεσμα ενός εσφαλμένου ή ελλιπού χειρισμού του ηλεκτρικού εργαλείου και μπορεί να αποφευχθεί με λήψη κατάλληλων προληπτικών μέτρων, σαν αυτά που περιγράφονται παρακάτω.

a) **Να κρατάτε το ηλεκτρικό εργαλείο πάντοτε καλά και να παίρνετε με το σώμα σας μόνο θέσεις, στις οποίες θα μπορούσατε να αντιμετωπίσετε επιτυχώς ένα ενδεδειγμένο κλότσημα. Να χρησιμοποιείτε πάντοτε την πρόσθετη λαβή, αν αυτή φυσικά υπάρχει, για να εξασφαλίσετε έτσι το μέγιστο δυνατό έλεγχο του ηλεκτρικού εργαλείου σε περίπτωση εμφάνισης αναστροφών και αντίρροπων δυνάμεων (π. χ. κλότσημα) κατά την εκκίνηση. Ο χειριστής/η χειρίστρια μπορεί να αντιμετωπίσει με επιτυχία τα κλότσηματα και τις αναστροφές ροπές.**

b) **Μη βάζετε ποτέ τα χέρια σας κοντά στα περιστρεφόμενα εργαλεία. Σε περίπτωση κλοτσηματος το εργαλείο μπορεί να περάσει πάνω από το χέρι σας.**

c) **Αποφύγετε την περιοχή μπροστά και πίσω από τον περιστρεφόμενο τροχό κοπής. Το κλότσημα ωθεί το ηλεκτρικό εργαλείο στην εστία του μπλοκαρισματος σε κατεύθυνση αντίθετη από τη κίνηση του δίσκου λείανσης.**

d) **Να εργάζεστε με ιδιαίτερη προσοχή σε γωνίες, κοφτερές ακμές κτλ. Φροντίζετε, το λειαντικό εργαλείο να μην ανατιναχτεί έξω από το υπό κατεργασία υλικό και να μη σφηνώσει σ' αυτό. Το περιστρεφόμενο λειαντικό εργαλείο σφηνώνει εύκολα κατά την εργασία σε γωνίες και σε κοφτερές ακμές ή όταν εκτινάσσεται. Αυτό προκαλεί κλότσημα ή απώλεια του ελέγχου.**

e) **Μην χρησιμοποιείτε αλυσιδωτές ή οδοντωτές λάμες πριονιού όπως και κατατεμνόμενους δίσκους διαμαντινού μέταλλο κτλ. Φροντίζετε, το λειαντικό εργαλείο να μην ανατιναχτεί έξω από το υπό κατεργασία υλικό και να μη σφηνώσει σ' αυτό. Το περιστρεφόμενο λειαντικό εργαλείο σφηνώνει εύκολα κατά την εργασία σε γωνίες και σε κοφτερές ακμές ή όταν εκτινάσσεται. Αυτό προκαλεί κλότσημα ή απώλεια του ελέγχου του ηλεκτρικού εργαλείου.**

f) **Να αποφεύγετε το μπλοκάρισμα των δίσκων κοπής και/ή την άσκηση πολύ υψηλής πίεσης. Να μη διεξάγετε τολμές υπερβολικού βάθους. Η υπερβολική επιβάρυνση του δίσκου κοπής αυξάνει τη μηχανική παραμόρφωση του και τον κίνδυνο στρέβλωσης κι έτσι και τις πιθανότητες κλοτσηματος ή σπασίματος του λειαντικού σώματος.**

g) **Όταν ο δίσκος κοπής μπλοκάρει ή όταν διακόπτετε την εργασία σας πρέπει να θέτετε το ηλεκτρικό εργαλείο εκτός λειτουργίας και ακολουθήσει να το κρατάτε ήρεμα μέχρι ο δίσκος κοπής να σταματήσει εντελώς να κινείται. Μην προσπαθήσετε ποτέ να βγάλετε το δίσκο κοπής από το υλικό όταν αυτός κινείται ακόμη, διαφορετικά υπάρχει κίνδυνος κλοτσηματος. Εξακριβώστε κι εξουδετερώστε την αιτία του μπλοκαρισματος.**

h) **Μη θέσετε το ηλεκτρικό εργαλείο πάλι σε λειτουργία όσο ο δίσκος κοπής βρίσκεται ακόμη μέσα στο υπό κατεργασία τεμάχιο. Αφήστε το δίσκο κοπής να αποκτήσει το μέγιστο αριθμό στροφών πριν συνεχίσετε προσεκτικά την κοπή. Διαφορετικά ο δίσκος μπορεί να σφηνώσει, να πεταχτεί με ορμή έξω από το υπό κατεργασία υλικό ή να προκαλέσει κλότσημα.**

i) **Πλάκες, ή άλλα μεγάλα υπό κατεργασία τεμάχια, πρέπει να υποστηρίζονται για να ελαττωθεί ο κίνδυνος κλοτσηματος από έναν τυχόν μπλοκαρισμένο δίσκο κοπής. Μεγάλα υπό κατεργασία τεμάχια μπορεί να λυγίσουν κάτω από το ίδιο τους το βάρος. Το υπό κατεργασία τεμάχιο πρέπει να υποστηριχτεί και στις δυο πλευρές του, και κοντά στην τομή κοπής και στην ακμή του.**

jj) **Να είστε ιδιαίτερα προσεκτικοί/προσεκτικές όταν διεξάγετε «κοπές βυθίσματος» σε τοίχους ή άλλους μη εσοπτευσίμους τομείς. Ο βυθιζόμενος δίσκος κοπής μπορεί να κόψει σωλήνες φωταερίου (γκαζιάου) ή νερού, ηλεκτρικές γραμμές ή αντικείμενα που μπορεί να προκαλέσουν κλότσημα.**

ΠΕΡΑΙΤΕΡΩ ΟΔΗΓΙΕΣ ΑΣΦΑΛΕΙΑΣ ΚΑΙ ΧΡΗΣΕΩΣ

Ο επιτρεπτός αριθμός στροφών του ανταλλακτικού εξαρτήματος πρέπει να είναι τουλάχιστον τόσο υψηλός όσο ο μέγιστος αριθμός στροφών που αναφέρεται επάνω στο ηλεκτρικό εργαλείο. Εξαρτήματα τα οποία περιστρέφονται με ταχύτερη μεγαλύτερη από την επιτρεπτή, ενδέχεται να σπάσουν και να εκσφενδονιστούν.

Χρησιμοποιείτε προστατευτικό εξοπλισμό. Κατά την εργασία με τη μηχανή φοράτε πάντα προστατευτικά γυαλιά. Συνιστούμε επίσης προστατευτική ενδυμασία όπως επίσημη μάσκα προστασίας αναπνοής, προστατευτικά γάντια, σταθερά και ασφαλή στην ολίσθηση υποδήματα, κράνος και ωτοασπίδες.

Η σκόνη που δημιουργείται κατά την εργασία είναι συχνά επιβλαβής για την υγεία και δεν επιτρέπεται να έλθει στο σώμα. Να φοράτε κατάλληλη μάσκα προστασίας από σκόνη.

Μην επεξεργάζεστε επικίνδυνα για την υγεία υλικά (π.χ. αμιάντος).

Σε περίπτωση μπλοκαρίσματος της αρίδας απενεργοποιείτε αμέσως τη συσκευή! Μην ενεργοποιείτε εκ νέου τη συσκευή όσο η αρίδα είναι μπλοκαρισμένη. Σ' αυτή τη περίπτωση θα μπορούσε να προκύψει υψηλή ροπή αντίδρασης. Βρείτε την αιτία του μπλοκαρίσματος της αρίδας και ξεμπλοκαρέτε την λαμβάνοντας υπόψη τις οδηγίες ασφαλείας.

Πιθανές αιτίες:

- Η αρίδα μάγκωσε με το προς κατεργασία κομμάτι.
- Σπάζσιμο του προς κατεργασία υλικού.
- Υπερφόρτωση του ηλεκτρικού εργαλείου.

Μην απλώνετε τα χέρια σας στην επικίνδυνη περιοχή της μηχανής όταν είναι σε λειτουργία.

Η θερμοκρασία της αρίδας μπορεί να φτάσει σε υψηλά επίπεδα κατά τη λειτουργία.

- κατά την αλλαγή εργαλείου (αρίδας)
- κατά την απόθεση της συσκευής

Κατά τις εργασίες σε τοίχο, οροφή ή δάπεδο προσέχετε για τυχόν ηλεκτρικά καλώδια και για σωλήνες αερίου και νερού.

Πριν από κάθε εργασία στη μηχανή αφαιρείτε την ανταλλακτική μπαταρία.

Μην πετάτε τις μεταχειρισμένες ανταλλακτικές μπαταρίες στη φωτιά ή στα οικιακά απορρίμματα. Η AEG προσφέρει μια απόσυρση των παλιών ανταλλακτικών μπαταριών σύμφωνα με τους κανόνες προστασίας του περιβάλλοντος, ρωτήστε παρακαλώ σχετικά στο ειδικό κατάστημα πώλησης.

Μην αποθηκεύετε τις ανταλλακτικές μπαταρίες μαζί με μεταλλικά αντικείμενα (κίνδυνος βραχυκυκλώματος).

Φορτίζετε τις ανταλλακτικές μπαταρίες του συστήματος GBS μόνο με φορτιστές του συστήματος GBS. Μη φορτίζετε μπαταρίες από άλλα συστήματα.

Μην ανοίγετε τις ανταλλακτικές μπαταρίες και τους φορτιστές και χρησιμοποιείτε για αποθήκευση μόνο στεγνούς χώρους. Προστατεύετε τις ανταλλακτικές μπαταρίες και τους φορτιστές από την υγρασία.

Όταν υπάρχει υπερβολική καταπόνηση ή υψηλή θερμοκρασία μπορεί να τρέξει υγρό μπαταρίας από τις χαλασμένες επαναφορτιζόμενες μπαταρίες. Αν έρθετε σε επαφή με υγρό μπαταρίας να πλυθείτε αμέσως με νερό και σαπούνι. Σε περίπτωση επαφής με τα μάτια να πλυθείτε σχολαστικά για τουλάχιστον 10 λεπτά και να αναζητήσετε αμέσως ένα γιατρό.

Προειδοποίηση! Για να αποτρέψετε τον κίνδυνο πυρκαγιάς λόγω βραχυκυκλώματος, τραυματισμούς ή ζημιές του προϊόντος, να μη βυθίζετε το εργαλείο, τον ανταλλακτικό συσσωρευτή ή τη συσκευή φόρτισης σε υγρά και να φροντίζετε, ώστε να μη διεισδύουν υγρά στις συσκευές και τους συσσωρευτές. Διαβρωτικές ή αγώγιμες υγρές ουσίες, όπως αλατόνερο, ορισμένες χημικές ουσίες και λευκαντικά ή προϊόντα που περιέχουν λευκαντικά, μπορεί να προκαλέσουν βραχυκύκλωμα.

ΧΡΗΣΗ ΣΥΜΦΩΝΑ ΜΕ ΤΟ ΣΚΟΠΟ ΠΡΟΟΡΙΣΜΟΥ

Αυτό το εργαλείο αποκοπής προορίζεται να χρησιμοποιηθεί για την κοπή διαφορετικών υλικών.

Αυτή η συσκευή επιτρέπεται να χρησιμοποιηθεί μόνο σύμφωνα με τον αναφερόμενο σκοπό προορισμού.

Για να μειωθεί ο κίνδυνος τραυματισμού, να χρησιμοποιείτε διαμαντόδισκους τύπου 1 με μέγιστο πάχος 2,8 χιλ., οι οποίοι μπορούν να χρησιμοποιούνται σίγουρα με ελάχιστη ταχύτητα περιστροφής 20.000 λεπτό-1. Δίσκοι λείανσης τύπου 1 ενδεκνύνται μόνο για γωνιακή λείανση και όχι για επίπεδη

λείανση. Να λαμβάνετε υπόψη όλες τις υποδείξεις ασφαλείας που προμηθεύονται μαζί με τη σμίλη τεμαχισμού.

Για την επιλογή του κατάλληλου δίσκου λείανσης να χρησιμοποιείτε τον κάτω πίνακα. Ανάλογα με το υλικό πρέπει να χρησιμοποιείτε διαφορετικούς δίσκους λείανσης. Να λαμβάνετε υπόψη τις υποδείξεις χρήσεως του κατασκευαστή του δίσκου λείανσης.

Τύπος δίσκου	Για τη λείανση
Δίσκοι λείανσης καρβιδίου	γυψοσανίδας, πλαστικού
Σμίλες τεμαχισμού	χάλυβα, ανοξείδωτου χάλυβα, υλικών χωρίς σίδηρο
Διαμαντόδισκοι	πλακιδίων, σκυροδέματος, τούβλων, κεραμικών, ινοσιμέντου

ΠΡΟΣΤΑΣΙΑ ΥΠΕΡΦΟΡΤΩΣΗΣ

Σε περίπτωση υψηλής υπερφόρτωσης του κινητήρα, ενεργοποιείται η προστασία υπερφόρτωσης. Για να συνεχίσετε την εργασία σας, απενεργοποιήστε και επανενεργοποιήστε τη μηχανή.

ΔΗΛΩΣΗ ΠΙΣΤΟΤΗΤΑΣ ΕΚ

Δηλώνουμε υπεύθυνα ότι το προϊόν που περιγράφεται στο κεφάλαιο «Τεχνικά χαρακτηριστικά» είναι συμβατό με τις διατάξεις της Κοινοτικής Οδηγίας 2011/65/EU (RoHS), 2014/30/EE, 2006/42/ΕΚ και με τα ακόλουθα εναρμονισμένα κανονιστικά έγγραφα:

EN 60745-1:2009+A11:2010
EN 60745-2-22:2011+A11:2013
EN 55014-1:2017+A11:2020
EN 55014-2:2015
EN IEC 63000:2018

Winnenden, 2020-06-30



Alexander Krug
Managing Director



Εξουσιοδοτημένος να συντάξει τον τεχνικό φάκελο.

Techtronic Industries GmbH
Max-Eyth-Straße 10
71364 Winnenden
Germany

ΜΠΑΤΑΡΙΕΣ

Επαναφορτίζετε τις ανταλλακτικές μπαταρίες που δεν έχουν χρησιμοποιηθεί για μεγαλύτερο χρονικό διάστημα πριν τη χρήση.

Μια θερμοκρασία πάνω από 50°C μειώνει την ισχύ της ανταλλακτικής μπαταρίας. Αποφεύγετε τη θέρμανση για μεγαλύτερο χρονικό διάστημα από τον ήλιο ή τις συσκευές θέρμανσης.

Διατηρείτε τις επαφές σύνδεσης στο φορτιστή και στην ανταλλακτική μπαταρία καθαρές.

Για μια άριστη διάρκεια ζωής πρέπει μετά τη χρήση οι μπαταρίες να φορτιστούν πλήρως.

Για μια κατά το δυνατόν μεγάλη διάρκεια ζωής οι μπαταρίες μετά τη φόρτιση οφείλουν να αφαιρεθούν από το φορτιστή.

Για την αποθήκευση της μπαταρίας για διάστημα μεγαλύτερο των 30 ημερών:

Αποθηκεύετε τη μπαταρία περ. στους 27°C σε στεγνό χώρο. Αποθηκεύετε τη μπαταρία περ. στο 30%-50% της κατάστασης φόρτισης.

Κάθε 6 μήνες φορτίζετε εκ νέου τη μπαταρία.

ΠΡΟΣΤΑΣΙΑ ΕΝΑΝΤΙ ΥΠΕΡΦΟΡΤΩΣΗΣ ΜΠΑΤΑΡΙΑΣ

Το πακέτο μπαταρίας είναι εξοπλισμένο με μια προστασία υπερφόρτωσης, η οποία προστατεύει τη μπαταρία από υπερφόρτωση και εξασφαλίζει μια μεγάλη διάρκεια ζωής. Σε ιδιαίτερα υψηλή καταπόνηση ο ηλεκτρονικός εξοπλισμός της μπαταρίας απενεργοποιεί αυτόματα τη μηχανή. Για να συνεχίσετε την εργασία απενεργοποιείτε και ενεργοποιείτε πάλι τη μηχανή. Εάν δεν ξεκινήσει πάλι η μηχανή, πιθανότα το πακέτο μπαταρίας να είναι άδειο και θα πρέπει να φορησιτέ εκ νέου στη συσκευή φόρτισης.

ΜΕΤΑΦΟΡΑ ΤΩΝ ΜΠΑΤΑΡΙΩΝ ΙΟΝΤΩΝ ΛΙΘΙΟΥ

Οι μπαταρίες ιόντων λιθίου υπόκεινται στις απαιτήσεις των νομικών διατάξεων για την μεταφορά επικινδύνων εμπορευμάτων.

Η μεταφορά τέτοιων μπαταριών πρέπει να πραγματοποιείται τηρώντας τους τοπικούς, εθνικούς και διεθνείς κανονισμούς και τις αντίστοιχες διατάξεις.

- Επιτρέπεται η μεταφορά τέτοιων μπαταριών στο δρόμο χωρίς περαιτέρω απαιτήσεις.
- Η εμπορική μεταφορά μπαταριών ιόντων λιθίου από εταιρείες μεταφορών υπόκειται στις απαιτήσεις των νομικών διατάξεων για την μεταφορά επικινδύνων εμπορευμάτων. Οι προετοιμασίες αποστολής και η μεταφορά πραγματοποιούνται αποκλειστικά από ειδικά εκπαιδευμένα πρόσωπα. Η συνολική διαδικασία συνοδεύεται από εξειδικευμένο προσωπικό.

Κατά τη μεταφορά μπαταριών ιόντων λιθίου πρέπει να προσέχετε τα εξής:

- Φροντίστε τα σημεία επαφών να είναι προστατευμένα και μονωμένα ώστε να αποφευχθούν βραχυκυκλώματα.
- Προσέξτε το πακέτο μπαταριών να είναι σταθερό μέσα στη συσκευασία και να μη γλιστρά.
- Η μεταφορά μπαταριών που παρουσιάζουν φθορές ή διαρροές δεν επιτρέπεται.

Για περισσότερες πληροφορίες απευθυνθείτε στην εταιρεία μετάρφων.

ΣΥΝΤΗΡΗΣΗ

Διατηρείτε πάντοτε τις σχισμές εξεαρισμού στη μηχανή καθαρές.













Αποσυνδέετε το εργαλείο από το ρεύμα πριν τοποθετήσετε ή αφαιρέσετε την λεπίδα κόπτη.

Καθαρίζετε την συσκευή και τον εξοπλισμό προστασίας με ένα στεγνό πανί. Μερικά απορρυπαντικά προκαλούν φθορές στο πλαστικό και σε άλλα μονωμένα μέρη. Διατηρείτε την συσκευή καθαρή, στεγνή και φροντίστε να μην έχει λεκέδες από διαρροές λαδιού ή γράσου. Ελέγξτε αν λειτουργεί σωστά η καλύπτρα προστασίας. Τακτική συντήρηση και καθαρισμός είναι απαραίτητα για μεγάλη διάρκεια ζωής και ασφαλή λειτουργία.

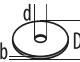
Χρησιμοποιείτε μόνο πρόσθ. εξαρτήματα AEG και ανταλλακτικά AEG. Κατ'ασκ. τμήματα, που η αλλαγή τους δεν περιγράφεται, αντικαθίστανται σε μια τεχνική υποστήριξη της AEG (βλέπε φυλλάδιο εγγύηση/ διευθύνσεις τεχνικής υποστήριξης).

Σε περίπτωση που το χρειαστείτε μπορείτε να παραγγείλετε λεπτομερές σχέδιο της συσκευής αναφέροντας τον τύπο και τον εξαψήφιο αριθμό που βρίσκεται στην πινακίδα τεχνικών χαρακτηριστικών από την εξυπηρέτηση πελατών ή απευθείας από την Techtronic Industries GmbH, διεύθυνση Max-Eyth-Straße 10, 71364 Winnenden, Germany.

ΣΥΜΒΟΛΑ

	ΠΡΟΣΟΧΗ! ΠΡΟΕΙΔΟΠΟΙΗΣΗ! ΚΙΝΔΥΝΟΣ!
	Πριν από κάθε εργασία στη μηχανή αφαιρέτε την ανταλλακτική μπαταρία.
	Παρακαλώ διαβάστε σχολαστικά τις οδηγίες χρήσης πριν από την έναρξη λειτουργίας.
	Να φοράτε προστατευτικά γάντια!
	Φοράτε προστασία ακοής (ωασπιίδες)! Στις εργασίες με τη μηχανή φοράτε πάντοτε προστατευτικά γυαλιά. Να φοράτε κατάλληλη μάσκα προστασίας από σκόνη.
	Εξαρτήματα - Δεν περιλαμβάνονται στα υλικά παράδοση, συνιστούμενη προσθήκη από το πρόγραμμα εξαρτημάτων.
	Ηλεκτρικά μηχανήματα, μπαταρίες/συσσωρευτές δεν επιτρέπεται να απορρίπτονται μαζί με τα οικιακά απορρίμματα. Ηλεκτρικά μηχανήματα και συσσωρευτές συλλέγονται ξεχωριστά και παραδίδονται προς ανακύκλωση με τρόπο φιλικό προς το περιβάλλον σε επιχείρηση επεξεργασίας απορριμμάτων. Ενημερωθείτε από τις τοπικές υπηρεσίες ή από ειδικευμένους εμπόρους σχετικά με κέντρα ανακύκλωσης και συλλογής απορριμμάτων.
	Φορά περιστροφής
	Ονομαστικός αριθμός στροφών
	Τάση
	Συνεχές ρεύμα
	Ευρωπαϊκό σήμα πιστότητας
	Ουκρανικό σήμα πιστότητας
	Ευρασιατικό σήμα πιστότητας

ΕΛΛΗΝΙΚΑ 67

Üretim numarası.....	4774 12 01...
Devir sayısı.....	...000001-999999 20000 min ⁻¹
 D=Kesici disk ø.....	76 mm
d=Delik ø.....	10 mm
b=Kesme diski kalınlığı dak. / maks.....	1 mm / 2,8 mm
Maksimum kesme derinliği.....	16,3 mm
Kartuş akü gerilimi.....	18 V
Ağırlığı ise EPTA-üretici 01/2014'e göre (2,0...6,0 Ah).....	1,2...1,7 kg
Çalışma sırasında tavsiye edilen ortam sıcaklığı.....	-18...+50 °C
Tavsiye edilen akü tipleri.....	L1860R, L1850R, L1840R, L1830R, L1825R, L1820R, L1815R, L1820S
Tavsiye edilen şarj aletleri.....	BL1218, BLK1218; AL1218G; AL18G

Gürültü/Vibrasyon bilgileri (beton kesmek)

Ölçüm değerleri EN 60 745 e göre belirlenmektedir.

Aletin A değerlendirilme gürültü seviyesi tipik olarak şu değerdedir:

Ses basıncı seviyesi (Tolerans K=3dB(A))..... 102,0 dB (A)

Akustik kapasite seviyesi (Tolerans K=3dB(A))..... 91,0 dB (A)

Koruyucu kulaklık kullanın!

Toplam titreşim değeri (üç yönün vektör toplamı) EN 60745'e göre belirlenmektedir:

Titreşim emisyon değeri a_{h,SG}..... 4,2 m/s²

Tolerans K=..... 1,5 m/s²

UYARI

Bu talimatlarda belirtilen titreşim seviyesi, EN 60745 standardına uygun bir ölçme metodu ile ölçülmüştür ve elektrikli el aletleri birbiriyle karşılaştırmak için kullanılabilir. Ölçüm sonuçları ayrıca titreşim yükünün geçici değerlendirilmesi için de uygundur.

Belirtilen titreşim seviyesi, elektrikli el aletin genel uygulamaları için geçerlidir. Ancak elektrikli el aleti başka uygulamalar için, farklı eklenti parçalarıyla ya da yetersiz bakım koşullarında kullanılırsa, titreşim seviyesi farklılık gösterebilir. Bu durumda, titreşim yükü toplam çalışma zamanı aralığı içerisinde belirgin ölçüde yükselebilir.

Titreşim yükünün tam bir değerlendirmesi için ayrıca cihazın kapalı olduğu süreler ve cihazın çalışır durumda olduğu, ancak gerçek kullanımda bulunmadığı süreler de dikkate alınmalıdır. Böylelikle, toplam çalışma zamanı aralığı boyunca meydana gelen titreşim yükü belirgin ölçüde azaltılabilir.

Kullanıcıyı titreşimlerin etkisinden korumak üzere, örneğin elektrikli el aletlerinin ve eklenti parçalarının bakımı, ellerin sıcak tutulması ve iş akışlarının organizasyonu gibi ek güvenlik tedbirleri belirleyiniz.

⚠ UYARI! Bu elektrikli el aletiyle ilgili bütün uyarıları, talimat hükümlerini, gösterimleri ve spesifikasyonları okuyun. Aşağıda açıklanan talimat hükümlerine uyulmadığı takdirde elektrik çarpmalarına, yangınlara ve/veya ağır yaralanmalara neden olunabilir. **Bütün uyarıları ve talimat hükümlerini ilerde kullanmak üzere saklayın.**

⚠ DAİRE TESTERELERİ İÇİN GÜVENLİK UYARILARI

- Elektrikli alete ait koruyucu kapağın güvenli bir şekilde sabitlenmiş ve en üst seviyede güvenlik elde edilecek şekilde ayarlanmış olmalıdır, yani taşlama aksesuarının mümkün olan en küçük kısmı açık olarak kullanılan kişiye doğru bakmaktadır. Kendiniz ve yakınınızdaki şahıslar rotatif taşlama diskinin düzeyinin dışında durmalıdır.** Koruyucu kapak kullanan kişiyi kırılan parçalara ve taşlama aksesuarı ile tesadüfen temasa karşı korumalıdır.
- Elektrikli aletin için sadece bağlı takviyeli veya elmaslı kesme diskleri kullanınız.** Aksesuarı elektrikli aletinize takabiliyor olmanız, güvenli kullanımı için garanti anlamına gelmez.
- Kullanılan takımın izin verilen devri, en az elektrikli cihaz üzerinde yazılı azami devir kadar yüksek olmalıdır.** İzin verildenden daha hızlı dönen aksesuar kırılabilir ve etrafa fırlayabilir.
- Taşlama uçları sadece tavsiye edilen uygulamalarda kullanılabilir.** Örneğin: Bir kesme diskinin kenarı ile hiçbir zaman taşlama yapmayın. Kesici taşlama diskleri uçları ile malzeme kazıma için geliştirilmiştir. Bu uçlara yandan baskı uygulandığında kırılabilirler.

e) Her zaman hasarsız ve seçilen kesme taşı için doğru büyüklükte sıkma flanşlarını kullanınız. Uygun flanşlar kesme taşını destekler ve bu sayede kesme taşının kırılması tehlikesini azaltır.

f) Büyük elektrikli el aletlerini ait yıpranmış taşlama disklerini kullanmayın. Büyük elektrikli el aletlerinde kullanılan taşlama diskleri yüksek devirli küçük el aletlerinde kullanılmaya elverişli değildir ve kırılabilirler.

g) Kullanılan takımın dış çapı ve kalınlığı elektrikli cihazın ölçü bilgilerine uygun olmalıdır. Yanlış ölçüye sahip takımlar yeteri kadar korunamaz veya kontrol edilemezler.

h) Taşlama diskleri ve flanşlar elektrikli aletinizin taşlama mili üzerine tam olarak uymak zorundadır. Elektrikli aletin taşlama miline tam olarak uymayan uçlar, düzensiz döner, titreşir ve hâkimiyetin kaybedilmesine neden olabilirler.

i) Hasarlı taşlama diskleri kullanmayınız. Her kullanımdan önce taşlama disklerini ayrılmış parçacıklar ve çatlaklıklar yönünden kontrol ediniz. Elektrikli alet veya taşlama diski yere düştüğünde, hasar görmüş olup olmadığını kontrol ediniz veya hasarsız bir taşlama diski kullanınız. Taşlama diskini kontrol edip taktıysanız, kendiniz ve yakınınızdaki şahısların rotatif taşlama diskinin düzeyini dışına durmasını sağlayınız ve aleti bir dakika süreyle en yüksek devirde çalıştırınız. Hasarlı taşlama diskleri bu test süresi içinde genelde kırılırlar.

j) Kişisel koruyucu donanım kullanın. Yaptığınız işe göre tam yüz şiperliği, göz koruma donanımı veya koruyucu gözlük kullanın. Eğer uygunsa küçük taşlama ve malzeme parçacıklarına karşı koruma sağlayan toz

maskesi, koruyucu kulaklık, koruyucu iş eldivenleri veya özel iş önlüğü kullanın. Gözler çeşitli uygulamalarda etrafa savrulan parçacıklardan korunmalıdır. Toz veya soluma maskesi çalışma sırasında ortaya çıkan tozları filtre eder. Uzun süre yüksek gürültü altında çalışırsanız işitme kaybına uğrayabilirsiniz.

k) Diğer insanların çalışma sahanıza güvenli mesafede durmasına dikkat ediniz. Çalışma sahanıza giren herkes kişisel koruyucu donanım kullanmalıdır. İş parçası kırıkları veya kırılan takımlar savrulabilir ve doğrudan çalışma sahasının dışında da yaralanmalara neden olabilir.

l) Kesme ucunun üzerinde akım bulunan gizli hatlarla temas edebileceği çalışmalarda, elektrikli takımı daima yalıtımlı tutma yüzeylerinden tutunuz. Üzerinde akım bulunan bir kabloyla temas halinde elektrikli takımın metal parçalarına da akım geçebilir ve kullanıcıya elektrik çarpması mümkündür.

m) Takım tamamen durmadan elektrikli cihazı asla yere koymayınız. Dönen takımın bırakılan yüzeyle temas etmesi durumunda elektrikli cihazın kontrolünü kaybedebilirsiniz.

n) Elektrikli el aletini çalışır durumda taşımayın. Giysilerinizin rastlantı sonucu dönmekte olan uç tarafından tutulabilir ve uç bedeninize temas edebilir.

o) Elektrikli el aletinizin havalandırma deliklerini düzenli olarak temizleyin. Motor fanı tozu gövdeye çeker ve metal tozunuzun aşırı birikimi elektrik çarpması tehlikesini ortaya çıkarır.

p) Sıvı soğutma maddeleri gerektiren takımlar kullanmayınız. Su veya sıvı başka soğutma maddelerinin kullanılması elektrik çarpmasına yol açabilir.

Profil kesme uygulamaları için ayrıca güvenlik uyarıları

Gerici tepme ve ilgili emniyet bilgileri

Gerici tepme, takılmış veya bloke olmuş durumda dönen bir taşlama diskinin ani tepkisidir. Takılma veya bloke olma, rotatif ucun aniden durmasına neden olmaktadır. Böylece kontrolsüz bir elektrikli alet, bloke olduğu noktada ucun dönme yönünün tersine hızlanmaktadır.

Örneğin bir taşlama diski iş parçası içinde takılır veya bloke olursa, taşlama diskinin içine giren kenarı tutulur ve disk kırılır veya geri tepme kuvvetinin ortaya çıkmasına neden olur. Bu durumda taşlama diski blokaj yerinden, diskin dönme yönüne bağlı olarak kullanıcıya doğru veya kullanıcının tersine hareket eder. Bu gibi durumlarda taşlama disklerinin kırılma olasılığı da vardır.

Gerici tepme kuvveti elektrikli el aletinin yanlış veya hatalı kullanımı sonucu ortaya çıkar. Gerici tepme kuvvetleri aşağıda açıklanan koruyucu önlemlerle önlenir.

a) Elektrikli el aletini sıkıca tutun ve bedeniniz ile elle rinizi geri tepme kuvvetlerini rahatça karşılayabilecek duruma getirin. Alet hızlanırken ortaya çıkabilecek geri tepme kuvvetlerini veya reaksiyon momentlerini optimal ölçüde karşılayabilmek için eğer varsa her zaman ek tutamağı kullanın. Kullanıcı uygun önlemler alarak geri tepme ve reaksiyon kuvvetlerine hakim olabilir.

b) Elinizi hiçbir zaman dönen ucun yakınına getirmeyin. Uç geri tepme sırasında elinize doğru hareket edebilir.

c) Rotatif kesme diskinin önündeki ve arkasındaki alandan durmaktan sakınınız. Gerici tepme elektrikli aleti, kesme diskinin bloke olduğu noktadaki hareketinin ters yönüne doğru itmektir.

d) Özellikle köşeleri, keskin kenarları ve benzerlerini işlerken dikkatli olun. Ucun iş parçasından dışarı çıkmasını ve takılıp sıkışmasını önleyin. Dönmekte olan uç köşelerde, keskin kenarlarda çalışırken sıkışmaya eğilimlidir. Bu ise kontrol kaybına veya geri tepmeye neden olur.

e) Zincirli veya dişli testere ve de 10 mm'den geniş kerti kleri olan bölünmüş elmaslı diskler kullanmayın. Bu tür uçlar genelde geri tepmeye veya elektrikli alet üzerindeki hakimiyetin kaybedilmesine neden olurlar.

f) Kesici taşlama diskinin bloke olmamasını sağlayın veya bu diske yüksek bastırma kuvveti uygulamayın. Aşırı derinlikte kesme yapmayın. Kesici taşlama ucuna aşırı yüklenme açıldırma yapılmasına veya blokaja neden olabilir ve bunun sonunda da geri tepme kuvveti oluşabilir veya taşlama ucu kırılabilir.

g) Kesici taşlama diski sıkışacak olursa veya siz işe ara vermeden elektrikli el aletini kapatın ve disk tam olarak duruncaya kadar aleti kesin biçimde tutun. Dönmekte olan kesici taşlama diskinin hiçbir zaman kesme yerinden çıkarmayı denemeyin, aksi takdirde geri tepme kuvveti oluşabilir. Sıkışmanın nedenini tespit edin ve giderin.

h) Elektrikli el aleti iş parçası içinde bulunduğu süreçte onu tekrar çalıştırmayın. Kesme işine dikkatli biçimde devam etmeden önce kesme diskinin en yüksek devire ulaşmasını bekleyin. Aksi takdirde disk takılabilir, iş parçasından çıkabilir veya bir geri tepme kuvveti oluşabilir.

i) Kesici taşlama diskinin sıkışması sonucu oluşabilecek geri tepme kuvvetlerini önlemek için büyük levha veya iş parçalarını destekleyin. Büyük iş parçaları kendi ağırlıkları ile bükülebilir. Büyük iş parçaları iki yandan desteklenmelidir, hem kesme hattının yakınından hem de kenardan.

j) Duvarlar veya diğer görülmeyen alanların olduğu yerlerde özellikle "cep kesmelerinde" dikkatli olun. Malzeme içine dalan kesici taşlama diskleri kesme işlemi sırasında gaz veya su borularına, elektrik kablolarına veya diğer nesnelere rastlayarak geri tepme kuvveti oluşturabilirler.

EK GÜVENLİK VE ÇALIŞMA TALİMATLARI

Kullanılan takımın izin verilen devri, en az elektrikli cihaz üzerinde yazılı azami devir kadar yüksek olmalıdır. İzin verilen daha hızlı dönen aksesuar kırılabilir ve etrafa fırlayabilir.

Koruma teçhizatı kullanın. Makinada çalışırken devamlı surette koruyucu gözlük takın. Koruyucu elbise ve tozlardan korunma maskesi, emniyet eldivenleri ve sağlam ve kaymaya mukavim ayakkabı giyin. Başlık ve kulaklık tavsiye edilir.

Çalışma sırasında ortaya çıkan toz genellikle sağlığa zararlıdır ve bedenize temas etmemelidir. Uygun bir koruyucu toz maskesi kullanın

Sağlık tehlikelerine neden olan malzemelerin işlenmesi yasaktır (örn. asbest).

Uca yerleştirilen takımın bloke olması halinde lütfen cihazı hemen kapatın! Uca yerleştirilen takım bloke olduğu süreçte cihazı tekrar çalıştırmayın; bu sırada yüksek reaksiyon momentine sahip bir geri tepme meydana gelebilir. Uca yerleştirilen takımın neden bloke olduğuna bakın ve bu durumu güvenlik uyarılarında dikkat ederek gidirin.

Olası nedenler şunlar olabilir:

- İşlenen parça içinde takılma
- İşlenen malzemenin delinmesi
- Elektrikli alete aşırı yük binmesi

Ellerinizi çal1_makta olan makinenin içine uzatmay1n.

Uca yerleştirilen takım kullanımı sırasında ısınabilir.

- takım değiştirme sırasında
- aletin yere bırakılması sırasında

Duvar, tavan ve zeminde delik açarken elektrik kablolarına, gaz ve su borularına dikkat edin.

Aletin kendinde bir çalışma yapmadan önce kartuş aküyü çıkarın.

Kullanılmış kartuş aküleri ateşe veya ev çöplerine atmayın. AEG, kartuş akülerin çevreye zarar vermeyecek biçimde tasfiye edilmesine olanak sağlayan hizmet sunar; lütfen bu konuda yetkili satıcınızdan bilgi alın.

Kartuş aküleri metal parça veya eşyalarla birlikte saklamayın (kısa devre tehlikesi).

TÜRKÇE 69

C18 sistemli kartuş aküleri sadece GBS sistemli şarj cihazları ile şarj edin. Başka sistemli aküleri şarj etmeyin. Kartuş aküleri ve şarj cihazını açmayın ve sadece kuru yerlerde saklayın. Neme ve ıslanmaya karşı koruyun. Aşırı zorlanma veya aşırı ısınma sonucu hasar gören kartuş akülerden batarya sıvısı dışarı akabilir. Batarya sıvısı ile temasa gelen yeri hemen bol su ve sabunla yıkayın. Batarya sıvısı gözünüze kaçacak olursa en azından 10 dakika yıkayın ve zaman geçirmeden bir hekime başvurun.

Uyarı! Bir kısa devreden kaynaklanan yangın, yaralanma veya ürün hasarları tehlikesini önlemek için aleti, güç paketini veya şarj cihazını asla sıvıların içine daldırmayınız ve cihazların ve pillerin içine sıvı girmesini önleyiniz. Tuzlu su, belirli kimyasallar, aşartıcı madde veya aşartıcı madde içeren ürünler gibi korozif veya iletken sıvılar kısa devreye neden olabilir.

KULLANIM

Bu kesme aleti farklı materyalleri kesmek için kullanılır. Bu alet sadece belirttiği gibi ve usulüne uygun olarak kullanılabilir.

Yaralanma riskini en aza indirmek için, kalınlığı en fazla 2,8 mm olan ve aşırı 20.000 min⁻¹ s devirle güvenle çalıştırılabilen 1 tipi elmas zımpara diskleri kullanınız. 1 tipi zımpara diskleri sadece kenar zımparalama için uygun olup, düz zımparalama için uygun değildir. Lütfen kesici disklerle birlikte teslim edilen bütün güvenlik açıklamalarına dikkat ediniz.

Uygun zımpara diskini seçmek için aşağıdaki listeyi kullanınız. Malzemeye bağlı olarak farklı zımpara diskleri kullanılmalıdır. Lütfen kesici disk üreticisinin bütün kullanım uyarılarına dikkat ediniz.

Disk tipi	Zımparalanabilen malzemeler:
Karbit zımpara diskleri	Alçıpan, plastik
Kesici diskler	Çelik, paslanmaz çelik, demir içermeyen malzemeler
Elmas zımpara diskleri	Fayans, beton, tuğla, seramik, elyaf çimento

ZORLANMA EMNİYETİ

Motora fazla yüklenmesi durumunda fazla yük koruma tertibatı açılır. Çalışmaya devam edebilmek için makineyi kapatın ve tekrar çalıştırın.

CE UYGUNLUK BEYANI

Tek sorumlu olarak „Teknik Veriler“ bölümünde tarif edilen ürünün 2011/65/EU (RoHS), 2014/30/EU, 2006/42/EC sayılı direktifin ve aşağıdaki harmonize temel belgelerin bütün önemli hükümlerine uygun olduğunu beyan etmekteyiz:

EN 60745-1:2009+A11:2010
EN 60745-2-22:2011+A11:2013
EN 55014-1:2017+A11:2020
EN 55014-2:2015
EN IEC 63000:2018

Winnenden, 2020-06-30



Alexander Krug
Managing Director



Teknik evrakları hazırlamakla görevlendirilmiştir.

Techtronic Industries GmbH
Max-Eyth-Straße 10
71364 Winnenden
Germany

AKÜ

Uzun süre kullanım dışı kalmış kartuş aküleri kullanmadan önce şarj edin.

50°C üzerindeki sıcaklıklar kartuş akünün performansını düşürür. Akünün güneş ışığı veya mekân sıcaklığı altında uzun süre ısınmamasına dikkat edin.

Şarj cihazı ve kartuş aküdeki bağlantı kontaklarını temiz tutun.

Akünün ömrünün mükemmel bir şekilde uzun olması için kullandıktan sonra tamamen doldurulması gerekir.

Ömrünün mümkün olduğu kadar uzun olması için akülerin yüklemeye yapıldıktan sonra doldurma cihazından uzaklaştırılması gerekir.

Akünün 30 günden daha fazla depolanması halinde: Aküyü takriben 27°C'de kuru olarak depolayın.

Aküyü yüklemeye durumunun takriben % 30 - %50 olarak depolayın.

Aküyü her 6 ay yeniden doldurun.

AKÜNÜN AŞIRI YÜKLENMEYE KARŞI KORUNMASI

Akü donanımı, aküyü fazla yüklenmeye karşı koruyan ve uzun ömürlü olmasını garanti eden fazla yüklenmeye karşı bir koruma tertibatı ile teçhiz edilmiştir.

Aşırı fazla bir şekilde kullanılması durumunda akünün elektronik tertibatı makineyi otomatik olarak kapatır.

Makinenin tekrar çalıştırılması amacı ile tekrar kapatın ve yeniden çalıştırın. Makine tekrar çalışmazsa, akü donanımı muhtemelen boşalmıştır ve o zaman yeniden şarj edilerek tekrar doldurulması gerekir.

LİTYUM İYON PİLLERİN TAŞINMASI

Lityum iyon piller tehlikeli madde taşımacılığı hakkındaki yasal hükümler tabidir.

Bu piller, bölgesel, ulusal ve uluslararası yönetmeliklere ve hükümlere uyularak taşınmak zorundadır.

- Tüketiciler bu pilleri herhangi bir özel şart aranmaksızın karayoluyla taşıyabilirler.
- Lityum iyon pillerin nakliye şirketleri tarafından ticari taşımacılığı için tehlikeli madde taşımacılığının hükümleri geçerlidir. Sevk hazırlığı ve taşıma sadece ilgili eğitimi görmüş personel tarafından gerçekleştirilebilir. Bütün süreç uzmanca bir refakatçilik altında gerçekleştirilmek zorundadır.

70 TÜRKÇE

Pillerin taşınması sırasında aşağıdaki hususlara dikkat edilmesi gerekmektedir:

- Kısa devre oluşmasını önlemek için kontakların korunmuş ve izole edilmiş olmasını sağlayınız.
- Pili paketinin ambalajı içinde kaymamasına dikkat ediniz.
- Hasarlı veya akmış pillerin taşınması yasaktır.

Ayrıca bilgiler için nakliye şirketinize başvurunuz.

BAKIM

Aletin havalandırma aralıklarını daima temiz tutun.






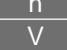
Testere bıçağını takmadan veya çıkarmadan önce aletin fişini güç kaynağından çektiğinizden emin olun.





Cihazı ve koruyucu tertibatı kuru bir bezle temizleyiniz. Bazı temizlik maddeleri plastik veya başka izole parçalara zarar verebilir. Cihazı temiz ve kuru tutunuz ve dışına taşan sıvı yağları ve gresleri temizleyiniz. Koruyucu kapakların fonksiyonunu kontrol ediniz. Düzenli aralıklarda yapılan bakım ve temizlik, uzun bir dayanma ömrü ve güvenli bir kullanım sağlar.

Sadece AEG aksesuarı ve yedek parçası kullanın. Nasıl değiştirileceği açıklanmamış olan yapı parçalarını bir AEG müşteri servisinde değiştirin (Garanti ve servis adresi broşürüne dikkat edin).

Gerektiğinde cihazın ayrıntılı çizimini, güç levhası üzerindeki makine modelini ve altı haneli rakamı belirterek müşteri servisizden veya doğrudan Techtronic Industries GmbH, Max-Eyth-Straße 10, 71364 Winnenden, Germany adresinden isteyebilirsiniz.

SEMBOLLER

	DİKKAT! UYARI! TEHLİKE!
	Aletin kendinde bir çalışma yapmadan önce kartuş aküyü çıkarın.
	Lütfen aleti çalıştırmadan önce kullanma kılavuzunu dikkatli biçimde okuyun.
	Koruyucu eldivenlerinizi takınız!
	Koruyucu kulaklık kullanın! Aletle çalışırken daima koruyucu gözlük kullanın. Uygun bir koruyucu toz maskesi kullanın
	Aksesuar - Teslimat kapsamında değildir, önerilen tamamlamalar aksesuar programında.
	Elektrikli cihazların, pillerin/akülerin evsel atıklarla birlikte bertaraf edilmesi yasaktır. Elektrikli cihazlar ve aküler ayrılarak biriktirilmeli ve çevreye zarar vermeden bertaraf edilmeleri için bir atık değerlendirme tesisine götürülmelidir. Yerel makamlara veya satıcınıza geri dönüşüm tesisleri ve atık toplama merkezlerinin yerlerini danışınız.
	Dönme yönü
	Devir sayısı
	Voltaj

	Doğru akım
	Avrupa uyumluluk işareti
	Ukrayna uyumluluk işareti
	Avrasya uyumluluk işareti

TÜRKÇE 71

Výrobní číslo.....	4774 12 01...
Jmenovité otáčky.....	...000001-999999 20000 min ⁻¹



D=Rozbrušovací kotouče-ø	76 mm
d=ø otvoru	10 mm
b=Tloušťka rozbrušovacího kotouče min. / max.	1 mm / 2,8 mm

Řezná hloubka max.	16,3 mm
Napětí výměnného akumulátoru.....	18 V
Hmotnost podle prováděcího předpisu EPTA 01/2014 (2,0...6,0 Ah).....	1,2...1,7 kg
Doporučená okolní teplota při práci.....	-18...+50 °C
Doporučené typy akumulátorů.....	L1860R, L1850R, L1840R, L1830R, L1825R, L1820R, L1815R, L1820S
Doporučené nabíječky.....	BL1218, BLK1218; AL1218G; AL18G

Informace o hluku / vibracích (řezání betonu)

Naměřené hodnoty odpovídají EN 60 745.

Typická vážená

Hladina akustického tlaku (Kolísavost K=3dB(A))..... 102,0 dB (A)

Hladina akustického výkonu (Kolísavost K=3dB(A))..... 91,0 dB (A)

Používejte chrániče sluchu !

Celkové hodnoty vibrací (vektorový součet tří směrů) zjištěné ve smyslu EN 60745.

Hodnota vibračních emisí a_{n,sg}..... 4,2 m/s²

Kolísavost K=..... 1,5 m/s²

VAROVÁN

Úroveň chvění uvedená v tomto návodu byla naměřena podle metody měření stanovené normou EN 60745 a může být použita pro porovnání elektrického nářadí. Hodí se také pro přibližný odhad zatížení chvěním.

Uvedená úroveň chvění představuje hlavní účely použití elektrického nářadí. Jestliže se ale elektrické nářadí používá pro jiné účely, s odlišnými nástroji nebo s nedostatečnou údržbou, může se úroveň chvění odlišovat. To může značně zvýšit zatížení chvěním během celé pracovní doby.

Pro přesný odhad zatížení chvěním se musí také zohlednit časy, během kterých je přístroj vypnutý nebo kdy je sice v chodu, ale skutečně se s ním nepracuje. To může zatížení chvěním během celé pracovní doby značně snížit.

Stanovte doplňková bezpečnostní opatření pro ochranu obsluhy před účinky chvění jako například: technická údržba elektrického nářadí a nástrojů, udržování teploty rukou, organizace pracovních procesů.

▲ VAROVÁNÍ! Přečtěte si všechna výstražná upozornění, pokyny, zobrazení a specifikace pro toto elektrické nářadí. Zanedbání při dodržování výstražných upozornění a pokynů uvedených v následujícím textu může mít za následek zásah elektrickým proudem, způsobit požár a/nebo těžké poranění. **Všechna varovná upozornění a pokyny do budoucna uschovejte.**

▲ BEZPEČNOSTNÍ POKYNY PRO KOTOUČOVÉ PILY

a) Ochranný kryt patří k elektrickému nářadí musí být bezpečně nasazený a nastavený tak, aby se dosáhla maximální míra bezpečnosti, t.j. aby byla nejmenší možná část brusného kotouče na straně obsluhy odkrytá. Zdržujte se a osoby nacházející se v blízkosti mimo úroveň rotujícího brusného kotouče. Ochranný kryt má obsluhu chránit před úlomky a náhodným kontaktem s brusným kotoučem.

b) Používejte výhradně vázané zpevněné nebo diamantem osazené rozbrušovací kotouče pro vaše elektrické nářadí. Pouze to, že příslušenství dokážete připevnit na vaše elektrické nářadí, nezaručuje jeho bezpečné použití.

c) Přípustný počet otáček vkládaného nástroje musí být minimálně stejné vysoký jako maximální počet otáček uvedený na elektrickém nářadí. Příslušenství, které se točí rychleji, než je přípustné, se může rozbit a rozletět do okolí.

d) Brusná tělesa smějí být použita pouze pro doporučené možnosti nasazení. Např.: nikdy nebruste boční plochou dělicího kotouče. Dělicí kotouče jsou určeny k úběru materiálu hranou kotouče. Boční působení síly na tato brusná tělesa je může rozbít.

e) Pro vámi zvolený řezný kotouč používejte vždy nepoškozené upínací příruby ve správné velikosti. Vhodné příruby podírají řezný kotouč, a snižují tak nebezpečí zlomení řezného kotouče.

f) Nepoužívejte žádné opotřebené brusné kotouče od většího elektronářadí. Brusné kotouče pro větší elektronářadí nejsou dimenzovány pro vyšší otáčky menších elektronářadí a mohou prasknout.

g) Vnější průměr a tloušťka vkládaného nástroje musí odpovídat rozměrovým údajům vašeho elektrického přístroje. Špatně vyměřené vkládané nástroje nelze dostatečně zakrýt ani kontrolovat.

h) Brusné kotouče a příruby musí přesně přiléhat k vřetenу brusného kotouče vašeho elektrického nářadí. Nasazené pracovní nástroje, které přesně nepřiléhají k vřetenу brusného kotouče elektrického nářadí, se otáčejí nerovnoměrně, velmi silně vibrují a mohou vést ke ztrátě kontroly nad nářadím.

i) Poškozené brusné kotouče nepoužívejte. Před každým použitím brusné kotouče zkontrolujte, jestli na nich nejsou odloupnuté části a trhliny. Když elektrické nářadí nebo brusný kotouč spadne, tak zkontrolujte, jestli nejsou poškozené, nebo použijte nepoškozený brusný kotouč. Když jste si brusný kotouč zkontrolovali a nasadili jej zpět, tak se zdržujte a osoby nacházející se v blízkosti mimo úroveň rotujícího brusného kotouče a přístroj nechte minutu běžet na nejvyšších otáčkách. Poškozené brusné kotouče během doby testování většinou prasknou.

j) Noste osobní ochranné vybavení. Podle aplikace použijte ochranu celého obličej, ochranu očí nebo ochranné brýle. Taktéž adekvátně noste ochrannou masku proti prachu, ochranu sluchu, ochranné rukavi-

ce nebo speciální zástěru, jež Vás ochrání před malými částicemi brusiva a materiálu. Oči mají být chráněny před odletujícími cizími tělisky, jež vznikají při různých aplikacích. Protiprachová maska či respirátor musejí při používání vznikající prach odfiltrovat. Pokud jste dlouho vystaveni silnému hluku, můžete utrpět ztrátu sluchu.

k) Zajistěte, aby se ostatní osoby zdržovaly v bezpečné vzdálenosti od vašeho pracoviště. Každý, kdo vstoupí na pracoviště, musí nosit osobní ochranné pomůcky. Úlomky obrobku nebo odlomené vložené nástroje mohou odlétnout a způsobit zranění i mimo oblast bezprostředního pracoviště.

l) Při pracích, při kterých by se mohl brusný nástavec dostat do kontaktu se zakrytými kabely pod proudem, držte elektrické nářadí vždy za izolované plochy. Při kontaktu s kabelem pod napětím se mohou stát vodivými i kovové části elektrického nářadí a způsobit obsluze zásah elektrickým proudem.

m) Elektrické nářadí nesmíte nikdy odložit dřívě, než se vložený nástroj zcela zastaví. Otáčející se vložený nástroj se může dostat do kontaktu s odkládací plochou, a vy tak můžete ztratit kontrolu nad elektrickým přístrojem.

n) Nenechte elektronářadí běžet po dobu, co jej nesete. Váš oděv může být náhodným kontaktem s otáčejícím se nasazovacím nástrojem zachycen a nasazovací nástroj se může zavrtat do Vašeho těla.

o) Čistěte pravidelně větrací otvory Vašeho elektronářadí. Ventilátor motoru vtahuje do těla prach a silně nahromaděný kovového prachu může způsobit elektrická rizika.

p) Nepoužívejte vkládané nástroje, které vyžadují tekutá chladiva. Použití vody nebo jiných tekutých chladiv může způsobit zásah elektrickým proudem.

Další bezpečnostní pokyny pro použití rozbrušovačky

Zpětný ráz a odpovídající bezpečnostní pokyny

Zpětný ráz je náhlou reakcí na zaseknutí nebo zablokování otáčející se brusný kotouč. Zaseknutí nebo zablokování vede k náhlému zastavení rotujícího nasazeného pracovního nástroje. Vlivem toho se elektrické nářadí na zablokovaném místě nekontrolovatelně roztáhne proti směru otáčení nasazeného pracovního nástroje.

Pokud se např. zpřičí nebo zasekne brusný kotouč v obrobku, může se hrana brusného kotouče, která se zanořuje do obrobku, zakousnout a tím brusný kotouč vylomit nebo způsobit zpětný ráz. Brusný kotouč se potom pohybuje k nebo od obsluhující osoby, podle směru otáčení kotouče na místě zablokování. Při tom mohou brusné kotouče i prasknout.

Zpětný ráz je důsledek nesprávného nebo chybného použití elektronářadí. Lze mu zabránit vhodnými preventivními opatřeními, jak je následně popsáno.

a) Držte elektronářadí dobře pevně a uveďte Vaše tělo a paže do polohy, ve které můžete zachytit síly zpětného rázu. Je-li k dispozici, používejte vždy přidavnou rukojeť, abyste měli co největší možnou kontrolu nad silami zpětného rázu nebo reakčních momentů při rozběhu. Obsluhující osoba může vhodnými preventivními opatřeními zvládnout síly zpětného rázu a reakčního momentu.

b) Nikdy nedávejte Vaši ruku do blízkosti otáčejících se nasazovacích nástrojů. Nasazovací nástroj se při zpětném rázu může pohybovat přes Vaši ruku.

c) Vyhybejte se oblasti před a za rotujícím rozbrušovacím kotoučem. Zpětný ráz vymrští ruční elektrické nářadí proti směru pohybu brusného kotouče na místě zablokování.

d) Zvlášť opatrně pracujte v místech rohů, ostrých hran apod. Zabraňte, aby se nasazovací nástroj odrazil od obrobku a vzpřičil. Rotující nasazovací nástroj je u

rohů, ostrých hran a pokud se odrazí náchylný na vzpřičení se. Toto způsobí ztrátu kontroly nebo zpětný ráz.

e) Nepoužívejte žádný řetězový nebo ozubený pilový list ani segmentovaný diamantový kotouč s drážkami širšími než 10 mm. Takové pracovní nástroje často způsobují zpětný ráz nebo ztrátu kontroly nad elektrickým nářadím.

f) Zabraňte zablokování děličícího kotouče nebo příliš vysokému přítlaku. Neprovádějte žádné nadměrné hluboké řezy. Přetížení děličícího kotouče zvyšuje jeho namáhání a náchylnost ke vzpřičení nebo zablokování a tím možnost zpětného rázu nebo prasknutí brusného tělesa.

g) Jestliže děličící kotouč uvízne nebo práci přerušíte, elektronářadí vypněte a vydržte v klidu než se kotouč zastaví. Nikdy se nepokoušejte ještě běžící děličící kotouč vytáhnout z řezu, jinak může následovat zpětný ráz. Zjistěte a odstraňte příčinu uvíznutí.

h) Elektronářadí opět nezapínejte, dokud se nachází v obrobku. Nechte děličící kotouč nejprve dosáhnout svých plných otáček, než budete v řezu opatrně pokračovat. Jinak se může kotouč zaseknout, vyskočit z obrobku nebo způsobit zpětný ráz.

i) Desky nebo velké obrobky podepřete, aby se zabránilo riziku zpětného rázu od sevřeného děličícího kotouče. Velké obrobky se mohou pod svou vlastní hmotností prohnut. Obrobek musí být podepřen na obou stranách a to jak v blízkosti děličícího řezu tak i na okraji.

j) Buďte obzvlášť opatrní u "kapsovitých řezů" do stávajících stěn nebo jiných míst, kam není vidět. Zanořující se děličící kotouč může při zařiznutí do plynových, vodovodních či elektrických vedení nebo jiných objektů způsobit zpětný ráz.

DALŠÍ BEZPEČNOSTNÍ A PRACOVNÍ POKYNY

Přípustný počet otáček vkládaného nástroje musí být minimálně stejně vysoký jako maximální počet otáček uvedený na elektrickém nářadí. Příslušenství, které se točí rychleji, než je přípustné, se může rozbít a rozletět do okolí.

Použijte ochranné vybavení. Při práci s elektrickým nářadím používejte vždy ochranné brýle. Doporučujeme rovněž použití součástí ochranného oděvu a ochranné obuvi, jako protiprašné masky, ochranných rukavic, pevné a nekoulající obuvi, ochranné přilby a ochrany sluchu.

Prach vznikající při práci s tímto nářadím může být zdraví škodlivý. Proto by neměl přijít do styku s tělem. Používejte při práci vhodnou ochrannou masku.

Nesmějí se opravovávat materiály, které mohou způsobit ohrožení zdraví (např. azbest)

Při zablokování nasazeného nástroje přístroj okamžitě vypněte! Přístroj nezapínejte, pokud je nasazený nástroj zablokovaný; mohl by při tom vzniknout zpětný náraz s vysokým reakčním momentem. Zjistěte příčinu zablokování nasazeného nástroje a odstraňte ji při dodržení bezpečnostních pokynů.

Možnými příčinami mohou být:

- vzpřičení v opracovávaném obrobku
- přelomení opracovávaného materiálu
- přetížení elektrického přístroje

Nezasahujte do běžícího stroje.

Nasazený nástroj se může během používání rozpálit.

- při výměně nástroje
- při odkládání přístroje

Při vrtání do zdi, stropu nebo podlahy dávat pozor na elektrické kabely, plynová a vodovodní potrubí.

Před zahájením veškerých prací na vrtacím šroubovátku vyjmout výměnný akumulátor.

Použitě nevyhazujte do domovního odpadu nebo do ohně. AEG nabízí ekologickou likvidaci starých článků, ptejte se u vašeho obchodníka s nářadím.

Náhradní akumulátor neskladujte s kovovými předměty, nebezpečí zkratu.

Akumulátor systému GBS nabíjejte pouze nabíječkou systému GBS. Nenabíjejte akumulátory jiných systémů.

Náhradní akumulátory ani nabíječku neotvírejte, skladujte je v suchu, chraňte před vlhkem.

Při extrémní zátěži či vysoké teplotě může z akumulátoru vytékat kapalina. Při zasažení touto kapalinou okamžitě zasažená místa omyjte vodou a mýdlem. Při zasažení očí okamžitě důkladně po dobu alespoň 10min. omývat a neodkladně vyhledat lékaře.

Varování! Abyste zabránili nebezpečí požáru způsobeného zkratem, poraněním nebo poškozením výrobku, neponořujte nářadí, výměnnou baterii nebo nabíječku do kapalin a zajistěte, aby do zařízení a akumulátorů nevnikly žádné tekutiny. Korodující nebo vodivé kapaliny, jako je slaná voda, určité chemikálie a bělicí prostředky nebo výrobky, které obsahují bělidlo, mohou způsobit zkrat.

OBLAST VYUŽITÍ

Tento řezací nástroj je určen k řezání různých materiálů.

Toto zařízení lze používat jen pro uvedený účel.

Aby se minimalizovalo riziko poranění, používejte jen diamantové brusné kotouče typu 1 s maximální tloušťkou 2,8 mm, které je možné bezpečně provozovat s minimálními otáčkami 20 000 min⁻¹. Brusné kotouče typu 1 jsou vhodné pouze na broušení čelem kotouče a ne na rovinné broušení. Řiďte se všemi bezpečnostními pokyny, které byly dodány společně s rozbrušovacími kotouči.

Následující přehled použijte pro výběr vhodného brusného kotouče. V závislosti na materiálu je třeba použít různé brusné kotouče. Řiďte se pokyny k použití od výrobce brusného kotouče.

Typ kotouče	Na broušení
Karbidové brusné kotouče	Sádrokartonu, plastu
Rozbrušovací kotouče	Oceli, ušlechtilé oceli, materiálů bez obsahu železa
Diamantové brusné kotouče	Obkladů, betonu, cihel, keramiky, vláknocementu

OCHRANA PROTI PŘETÍŽENÍ

Při vysokém přetížení motoru se aktivuje motorový jistič. K pokračování v práci stroj vypněte a opět zapněte.

CE-PROHLÁŠENÍ O SHODĚ

Výhradně na vlastní zodpovědnost prohlašujeme, že se výrobek popsany v „Technických údajích“ shoduje se všemi relevantními předpisy směrnice 2011/65/EU (RoHS), 2014/30/EU, 2006/42/ES a s následujícími harmonizovanými normativními dokumenty:

EN 60745-1:2009+A11:2010
EN 60745-2-22:2011+A11:2013
EN 55014-1:2017+A11:2020
EN 55014-2:2015
EN IEC 63000:2018

Winnenden, 2020-06-30

Alexander Krug
Managing Director



Zplnomocněn k sestavování technických podkladů.

Techtronic Industries GmbH
Max-Eyth-Straße 10
71364 Winnenden
Germany

AKUMULÁTORY

Déle nepoužívané akumulátory je nutné před použitím znovu nabít.

Teplota přes 50°C snižuje výkon akumulátoru. Chraňte před dlouhým přehříváním na slunci či u topení.

Kontakty nabíječky a akumulátoru udržujte v čistotě.

Optimální životnost akumulátorů se zajistí, když se po použití vždy plně nabijí.

K zabezpečení dlouhé životnosti by se akumulátory měly po nabití vyjmout z nabíječky.

Při skladování akumulátoru po dobu delší než 30 dní:

Skladujte akumulátor v suchu při cca 27°C.

Skladujte akumulátor při cca 30%-50% nabíjecí kapacitě.

Opakujte nabíjení akumulátoru každých 6 měsíců.

OCHRANA PROTI PŘETÍŽENÍ AKUMULÁTORU

Akumulátorová sada je vybavena ochranou proti přetížení, která ji chrání a zaručuje její dlouhou životnost.

Při extrémním zatížení elektronika akumulátoru elektrický nástroj vypne. K pokračování v práci nástroj vypněte a opět zapněte. V případě, že se motor nástroje ani potom nerozběhne, je akumulátorová sada pravděpodobně vybitá a musí se v nabíječce opět nabít.

PŘEPRAVA LITHIUM-IONTOVÝCH BATERIÍ

Lithium-iontové baterie spadají podle zákonných ustanovení pod přepravu nebezpečného nákladu.

Přeprava těchto baterií se musí realizovat s dodržováním lokálních, vnitrostátních a mezinárodních předpisů a ustanovení.

- Spotřebitelé mohou tyto baterie bez problémů přepravovat po komunikacích.
- Komerční přeprava lithium-iontových baterií prostřednictvím přepravních firem podléhá ustanovením o přepravě nebezpečného nákladu. Přípravu k vyexpedování a samotnou přepravu smějí vykonávat jen příslušně vyškolené osoby. Na celý proces se musí odborně dohlížet.

Při přepravě baterií je třeba dodržovat následující:

- Zajistěte, aby kontakty byly chráněné a izolované, aby se zamezilo zkratům.
- Dávejte pozor na to, aby se svazek baterií v rámci balení nemohl sesmeknout.
- Poškozené a vyteklé baterie se nesmějí přepravovat.

Ohledně dalších informací se obraťte na vaši přepravní firmu.

ÚDRŽBA

Větrací štěrby nářadí udržujeme stále čisté.

Ujistěte se, že jste pilu odpojily od zdroje napájení před montáží a demontáží pilového kotouče.

Přístroj a ochranný kryt čistěte suchým hadříkem. Některé čisticí prostředky poškozují plast nebo jiné izolované části. Přístroj udržujte čistý, suchý a očištěný od vyteklého oleje a maziva. Zkontrolujte funkčnost ochranných krytů. Pravidelná údržba a čištění zajistí dlouhou životnost a bezpečnou manipulaci.

Používat výhradně příslušenství AEG a náhradní díly AEG. Díly jejichž výměny nebyla popsána, nechte vyměnit v autorizovaném servisu (viz: Záruky / Seznam servisních míst)

V případě potřeby si můžete v servisním centru pro zákazníky nebo přímo od firmy Techtronic Industries GmbH, Max-Eyth-Straße 10, 71364 Winnenden, Německo vyžádat schematický náčrt jednotlivých dílů přístroje, když uvedete typ přístroje a šestimístné číslo na výkonovém štítku.



Značka shody na Ukrajině



Značka shody pro oblast Eurasie

SYMBOLY



POZOR! VAROVÁNÍ! NEBEZPEČÍ!



Před zahájením veškerých prací na vrtacím šroubováku vyjmout výměnný akumulátor.



Před spuštěním stroje si pečlivě přečtěte návod k používání.



Používejte ochranné rukavice!



Používejte chrániče sluchu !

Při práci se strojem neustále nosit ochranné brýle.

Používejte při práci vhodnou ochranou masku.



Příslušenství není součástí dodávky, viz program příslušenství.



Elektrická zařízení, baterie/akumulátory se nesmí likvidovat společně s odpadem z domácnosti. Elektrická zařízení, baterie/akumulátory je třeba sbírat odděleně a odevzdat je v recyklačním podniku na ekologickou likvidaci.

Na místních úřadech nebo u vašeho specializovaného prodejce se informujte na recyklační podniky a sběrné dvory.



Směr otáčení

n

Jmenovité otáčky

V

Napětí



Stejnoseměrný proud



Značka shody v Evropě

ČESKY 75

Výrobné číslo.....	4774 12 01...
Menovitý počet obrátok.....	...000001-999999 20000 min ⁻¹



D=Rozbrusovacie kotúče- \varnothing	76 mm
d= \varnothing otvoru.....	10 mm
b=Hrúbka rozbrusovacieho kotúča min. / max.....	1 mm / 2,8 mm

Max. hĺbka rezu:.....	16,3 mm
Napätie výmenného akumulátora.....	18 V
Hmotnosť podľa vykonávacieho predpisu EPTA 01/2014 (2,0...6,0 Ah).....	1,2...1,7 kg
Odporúčaná okolitá teplota pri práci.....	-18...+50 °C
Odporúčané typy akupaku.....	L1860R, L1850R, L1840R, L1830R, L1825R, L1820R, L1815R, L1820S
Odporúčané nabíjačky.....	BL1218, BLK1218; AL1218G; AL18G

Informácia o hluku / vibráciách (rezanie betónu)

Namerané hodnoty určené v súlade s EN 60 745.

A-ohodnotená hladina akustického tlaku prístroja cini

Hladina akustického tlaku (Kolisavosť K=3dB(A))..... 102,0 dB (A)

Hladina akustického výkonu (Kolisavosť K=3dB(A))..... 91,0 dB (A)

Používajte ochranu sluchu!

Celkové hodnoty vibrácií (vektorový súčet troch smerov)

zistené v zmysle EN 60745.

Hodnota vibračných emisií $a_{h,sg}$ 4,2 m/s²

Kolisavosť K=..... 1,5 m/s²

POZOR

Úroveň vibrácií uvedená v týchto pokynoch bola nameraná meracou metódou, ktorú stanovuje norma EN 60745 a je možné ju použiť na vzájomné porovnanie elektrického náradia. Hodí sa aj na predbežné posúdenie kmitavého namáhania.

Uvedená úroveň vibrácií reprezentuje hlavné aplikácie elektrického náradia. Ak sa však elektrické náradie používa pre iné aplikácie, s odlišnými vložnými nástrojmi alebo s nedostatočnou údržbou, môže sa úroveň vibrácií líšiť. Toto môže kmitavé namáhanie v priebehu celej pracovnej doby podstatne zvýšiť.

Pre presný odhad kmitavého namáhania by sa mali tiež zohľadniť doby, v ktorých je náradie vypnuté alebo je síce v chode, ale v skutočnosti sa nepoužíva. Toto môže kmitavé namáhanie v priebehu celej pracovnej doby zreteľne redukovať.

Stanovte dodatočné bezpečnostné opatrenia pre ochranu obsluhy pred účinkami vibrácií, ako napríklad: údržba elektrického náradia a vložných nástrojov, udržiavanie teploty rúk, organizácia pracovných postupov.

VAROVANIE! Prečítajte si všetky výstražné upozornenia, pokyny, znázornenia a špecifikácie pre toto elektrické náradie. Zanedbanie pri dodržiavaní výstražných upozornení a pokynov uvedených v nasledujúcom texte môže mať za následok zásah elektrickým prúdom, spôsobiť požiar a/alebo ťažké poranenie.

Tieto Výstražné upozornenia a bezpečnostné pokyny starostlivo uschovajte na budúce použitie.

BEZPEČNOSTNÉ POKYNY PRE KOTUČOVÉ PÍLY

a) Ochranný kryt patriaci k elektrickému náradiu musí byť bezpečne nasadený a nastavený tak, aby sa dosiahla maximálna miera bezpečnosti, t.j. aby bola najmenšia možná časť brúsneho kotúča na strane obsluhy odkrytá. Držte seba a osoby nachádzajúce sa v blízkosti mimo úroveň rotujúceho brúsneho kotúča. Ochranný kryt má obsluhu chrániť pred úločkami a náhodným kontaktom s brúsnym kotúčom.

b) Používajte výhradne viazané spevnené alebo diamantom osadené rozbrusovacie kotúče pre vaše elektrické náradie. Len to, že príslušenstvo dokázate pripievať na vaše elektrické náradie, nezaručuje jeho bezpečné použitie.

c) Prípustné otáčky pracovného nástroja musia byť minimálne také vysoké ako najvyššie otáčky uvedené na elektrickom náradí. Príslušenstvo, ktoré sa otáča rýchlejšie, sa môže zlomiť a rozletieť.

d) Brúsne telesá sa smú používať len pre príslušnú odporúčanú oblasť používania. Napr.: Nikdy nesmiete brúsiť bočnou plochou rezacieho kotúča. Rezacie kotúče sú určené na uberanie materiálu hranou kotúča.

Pôsobenie bočnej sily na tento kotúč môže spôsobiť jeho zlomenie.

e) Vždy používajte nepoškodenú upínaciu prírubu so správnou veľkosťou pre vami zvolený rezný kotúč. Vhodné príruby podopierajú rezný kotúč a znižujú tak nebezpečenstvo zlomenia rezného kotúča.

f) Nepoužívajte žiadne opotrebované brúsne kotúče z väčšieho ručného elektrického náradia. Brúsne kotúče pre väčšie ručné elektrické náradie nie sú dimenzované pre vyššie obrátky menších ručných elektrických náradí a môžu sa rozlomiť.

g) Vonkajší priemer a hrúbka pracovného nástroja musí zodpovedať údajom o rozmeroch vášho elektrického náradia. Zle zmerané pracovné nástroje nemôžu byť dostatočne chránené alebo kontrolované.

h) Brúsne kotúče a príruby musia presne priliehať k vretenu brúsneho kotúča vášho elektrického náradia. Nasadené pracovné nástroje, ktoré presne nepriliehajú k vretenu brúsneho kotúča elektrického náradia, sa otáčajú nerovnomerne, veľmi silno vibrujú a môžu viesť k strate kontroly nad náradím.

i) Poškodené brúsne kotúče nepoužívajte. Pred každým použitím brúsne kotúče skontrolujte, či na nich nie sú odlúpnuté časti a trhliny. Keď elektrické náradie alebo brúsny kotúč spadne, tak skontrolujte, či nie sú poškodené, alebo použite nepoškodený brúsny kotúč. Keď ste si brúsny kotúč skontrolovali a nasadili ho späť, tak držte seba a osoby nachádzajúce sa v blízkosti mimo úroveň rotujúceho brúsneho kotúča a prístroj nechajte minútu bežať na najvyšších otáčkach. Poškodené brúsne kotúče počas doby testovania väčšinou prasknú.

j) Používajte osobné ochranné prostriedky. Podľa druhu použitia náradia používajte ochranný štít na celú tvár, štít na oči alebo ochranné okuliare. Pokiaľ je to primerané, používajte ochrannú dýchaciu masku, chrániče sluchu, pracovné rukavice alebo špeciálnu zásteru, ktorá Vás ochráni pred odletujúcimi drobnými čiastočkami brusiva a obrábaného materiálu. Predovšetkým oči treba chrániť pred odletujúcimi cudzími telieskami, ktoré vznikajú pri rôznom spôsobe používania náradia. Ochrana proti prachu alebo ochranná dýchacia maska musia predovšetkým odlišovať konkrétny druh prachu, ktorý vzniká pri danom druhu použitia náradia. Keď je človek dlhšiu dobu vystavený hlasnému hluku, môže utrieť stratu sluchu.

k) V prípade iných osôb dbajte na bezpečnú vzdialenosť k vašej pracovnej oblasti. Každý, kto vstúpi do pracovnej oblasti, musí nosiť osobné ochranné vybavenie. Ulomky obrobku alebo zlomené pracovné nástroje môžu odletieť a spôsobiť úrazy aj mimo priamej pracovnej oblasti.

l) Pri prácach, pri ktorých by sa mohol brúsny nadsťavec dostať do kontaktu so zakrytými vedeniami pod prúdom, chytajte elektrické náradie vždy za izolované plochy. Pri kontakte s káblom pod napätím sa môžu stať vodivými aj kovové časti elektrického náradia a spôsobiť obsluhu zásah elektrickým prúdom.

m) Elektrické náradie nikdy neodkladajte skôr, ako sa pracovný nástroj úplne zastaví. Otáčajúci sa pracovný nástroj sa môže dostať do styku s odkladacou plochou, čím môžete stratiť kontrolu nad elektrickým náradím.

n) Nikdy nemajte ručné elektrické náradie zapnuté vtedy, keď ho prenášate na iné miesto. Náhodným kontaktom Vašich vlasov alebo Vášho oblečenia s rotujúcim pracovným nástrojom by sa Vám pracovný nástroj mohol zavrtáť do tela.

o) Pravidelne čistíte vetracie otvory svojho ručného elektrického náradia. Ventilátor motora vŕtajúceho do telesa náradia prach a veľké nahromadenie kovového prachu by mohlo spôsobiť vznik nebezpečného zásahu elektrickým prúdom.

p) Nepoužívajte žiadne pracovné nástroje, ktoré vyžadujú kvapalnú chladiacu prostriedky. Používanie vody alebo iných kvapalných chladiacich prostriedkov môže viesť k zásahu elektrickým prúdom.

Ďalšie bezpečnostné pokyny pre použitie rozbrušovačky

Spätný ráz a príslušné bezpečnostné pokyny

Spätný ráz je náhlu reakciou na zaseknutý alebo zablokovaný otáčajúci sa brúsny kotúč. Zaseknutie alebo zablokovanie vedie k náhlemu zastaveniu rotujúceho nasadeného pracovného nástroja. V dôsledku toho sa nekontrolovateľne elektrické náradie na zablokovanom mieste rozkrúti proti smeru otáčania nasadeného pracovného nástroja.

Keď sa napríklad brúsny kotúč vzprieči alebo zablokuje v obrobku, môže sa hrana brúsneho kotúča, ktorá je zapichnutá do obrobku, zachytiť v materiáli a tým sa vylomiť z brúsneho taniera, alebo spôsobiť spätý ráz náradia. Brúsny kotúč sa potom pohybuje smerom k osobe alebo smerom preč od nej podľa toho, aký bol smer otáčania kotúča na mieste zablokovania. Brúsne kotúče sa môžu v takomto prípade aj rozlomiť.

Spätný ráz je následkom nesprávneho a chybného používania ručného elektrického náradia. Vhodnými preventívnymi opatreniami, ktoré popisujeme v nasledujúcom texte, mu možno zabrániť.

a) Ručné elektrické náradie vždy držte pevne a svoje telo a ruky udržiavajte vždy v takej polohe, aby ste vydržali prípadný spätý ráz náradia. Pri každej práci používajte prídavnú rukoväť, ak ju máte k dispozícii, aby ste mali čo najväčšiu kontrolu nad silami spätného

rázu a reakčnými momentmi pri rozbehu náradia.

Pomocou vhodných opatrení môže obsluhujúca osoba silu spätného rázu a sily reakčných momentov zvládnuť.

b) Nikdy nedávajte ruku do blízkosti rotujúceho pracovného nástroja. Pri spätnom ráze by Vám mohol pracovný nástroj zasiahnuť ruku.

c) Vyhýbajte sa oblasti pred a za rotujúcim rozbrušovacím kotúčom. Spätný ráz vymrští ručné elektrické náradie proti smeru pohybu brúsneho kotúča na mieste zablokovania.

d) Mimoriadne opatrne pracujte v oblasti rohov, ostrých hrán a pod. Zabráňte tomu, aby obrobok vymrští pracovný nástroj proti Vám, alebo aby sa v ňom pracovný nástroj zablokoval. Rotujúci pracovný nástroj má sklon zablokovať sa v rohoch, na ostrých hranách alebo vtedy, keď je vyhodnený. To spôsobí stratu kontroly nad náradím alebo jeho spätý ráz.

e) Nepoužívajte žiadny reťazový alebo ozubený pílový list ako ani segmentovaný diamantový kotúč s drážkami širšími ako 10 mm. Takéto pracovné nástroje často spôsobujú spätý ráz alebo stratu kontroly nad elektrickým náradím.

f) Vyhýbajte sa zablokovaniu rezacieho kotúča alebo použitiu príliš veľkého prítlaku. Nevykonaвайте žiadne nadmierne hlboké rezy. Preťaženie rezacieho kotúča zvyšuje jeho namáhanie a náchylnosť na vzpričenie alebo zablokovanie a tým zvyšuje aj možnosť vzniku spätného rázu alebo zlomenia rezacieho kotúča.

g) Ak sa rezací kotúč zablokuje, alebo ak prerušíte prácu, ručné elektrické náradie vypnite a pokojne ho držte dovtedy, kým sa rezací kotúč úplne zastaví. Nepokúšajte sa vyberať rezací kotúč z rezu vtedy, keď ešte beží, pretože by to mohlo mať za následok vyvolanie spätného rázu. Zistíte príčinu zablokovania rezacieho kotúča a odstráňte ju.

h) Nikdy nezapínajte znova ručné elektrické náradie dovtedy, kým sa rezací kotúč nachádza v obrobku. Skôr ako budete opatrne pokračovať v reze, počkajte, kým dosiahne rezací kotúč maximálny počet obrátok. V opačnom prípade sa môže rezací kotúč zaseknúť, vyskočiť z obrobku alebo vyvolať spätý ráz.

i) Veľké platne alebo veľkorozmerné obrobky pri rezaní podoprite, aby ste znížili riziko spätného rázu zablokovaním rezacieho kotúča. Veľké obrobky sa môžu prehnúť následkom vlastnej hmotnosti. Obrobok treba podoprieť na oboch stranách, a to aj v blízkosti rezu aj na hrane.

j) Mimoriadne opatrne buďte pri rezaní výrezov do neznámych stien alebo do iných neprehľadných miest. Zapichovaný rezací kotúč môže pri zarezaní do plynového alebo vodovodného potrubia, do elektrického vedenia alebo iných objektov spôsobiť spätý ráz.

ĎALŠIE BEZPEČNOSTNÉ A PRACOVNÉ POKYNY

Prípustné otáčky pracovného nástroja musia byť minimálne také vysoké ako najvyššie otáčky uvedené na elektrickom náradí.

Príslušenstvo, ktoré sa otáča rýchlejšie, sa môže zlomiť a rozletieť.

Použite ochranné vybavenie. Pri práci s elektrickým náradím používajte vždy ochranné okuliare. Doporučujeme taktiež použitie súčastí ochranného odevu a ochrannej obuvi, ako sú protiprašná maska, ochranné rukavice, pevná a nekľzajúca obuv, ochranná prilba a ochrana sluchu.

Prach vznikajúci pri práci môže byť škodlivý zdraviu. Pri práci nosiť vhodnú ochrannú masku, aby sa nedostal do ľudského organizmu.

Nesmú sa opracovávať materiály, ktoré môžu spôsobiť ohrozenie zdravia (napr. azbest)

Pri zablokovaní nasadeného nástroja prístroj okamžite vypnite! Prístroj nezapínajte, pokiaľ je nasadený nástroj zablokovaný; mohol by pri tom vzniknúť spätný náraz s vysokým reakčným momentom. Príčinu zablokovania nasadeného nástroja zistíte a odstránite so zohľadnením bezpečnostných pokynov.

Možnými príčinami môžu byť:

- spriečenie v opracovávanom obrubku
- prelomenie opracovávaného materiálu
- preťaženie elektrického prístroja

Nezasahujte do bežiacего stroja.

Nasadený nástroj sa počas používania môže rozhorúčiť.

- pri výmene nástroja
- pri odkladaní prístroja

Pri práci v stene, strope alebo v podlahe dávajte pozor na elektrické káble, plynové a vodovodné potrubia.

Pred každou prácou na stroji výmenný akumulátor vytiahnuť.

Opotrebované výmenné akumulátory nezhadzujte do ohňa alebo medzi domový odpad. AEG ponúka likvidáciu starých výmenných akumulátorov, ktorá je v súlade s ochranou životného prostredia; informujte sa u Vášho predajcu.

Výmenné akumulátory neskladovať spolu s kovovými predmetmi (nebezpečenstvo skratu).

Výmenné akumulátory systému GBS nabíjať len nabíjacími zariadeniami systému GBS. Akumulátory iných systémov týmto zariadením nenabíjať.

Výmenné akumulátory a nabíjacie zariadenia neotvárať a skladovať len v suchých priestoroch. Chrániť pred vlhkosťou.

Pri extrémnych záťažach alebo extrémnych teplotách môže dôjsť k vytekaniu batériovej tekutiny z poškodeného výmenného akumulátora. Ak dôjde ku kontaktu pokožky s roztokom, postihnuté miesto umyť vodou a mydlom. Ak sa roztok dostane do očí, okamžite ich dôkladne vypláchnuť po dobu min. 10 min a bezodkladne vyhľadať lekára.

Varovanie! Aby ste zabránili nebezpečenstvu požiaru spôsobeného skratom, poranieniam alebo poškodeniam výrobku, neponárajte náradie, výmennú batériu alebo nabíjačku do kvapalín a postarajte sa o to, aby do zariadení a akumulátorov nevnikli žiadne tekutiny. Korodujúce alebo vodivé kvapaliny, ako je slaná voda, určité chemikálie a bieliace prostriedky alebo výrobky, ktoré obsahujú bielicid, môžu spôsobiť skrat.

POUŽITIE PODĽA PREDPISOV

Tento rezný nástroj je určený na rezanie rôznych materiálov.

Tento prístroj sa smie používať len v súlade s uvedenými predpismi.

Aby sa minimalizovalo riziko poranenia, používajte len diamantové brúsne kotúče typu 1 s maximálnou hrúbkou 2,8 mm, ktoré je možné bezpečne prevádzkovať s minimálnymi otáčkami 20 000 min⁻¹. Brúsne kotúče typu 1 sú vhodné len na brúsenie čelom kotúča a nie na rovinné brúsenie. Riadte sa všetkými bezpečnostnými pokynmi, ktoré boli dodané spolu s rozbrusovacími kotúčmi.

Nasledujúci prehľad použite na výber vhodného brúsneho kotúča. V závislosti od materiálu treba použiť rôzne brúsne kotúče. Riadte sa pokynmi na použitie od výrobcu brúsneho kotúča.

Typ kotúča	Na brúsenie
Karbidové brúsne kotúče	Sadrokartónu, plastu
Rozbrusovacie kotúče	Ocele, ušľachtilej ocele, materiálov bez obsahu železa

78 SLOVENSKY

Diamantové brúsne kotúče Obkladov, betónu, tehiel, keramiky, vláknoconentu

OCHRANA PROTI PREŤAŽENIU

Pri vysokom preťažení motora sa aktivuje motorový istič. K pokračovaniu v práci stroj vypnite a opäť zapnite.

CE – VYHLÁSENIE KONFORMITY

Výhradne na vlastnú zodpovednosť vyhlasujeme, že výrobok popísaný v „Technických údajoch“ sa zhoduje so všetkými relevantnými predpismi smernice 2011/65/EU (RoHS), 2014/30/EU, 2006/42/EC a nasledujúcimi harmonizujúcimi normatívnymi dokumentmi:

EN 60745-1:2009+A11:2010
EN 60745-2-22:2011+A11:2013
EN 55014-1:2017+A11:2020
EN 55014-2:2015
EN IEC 63000:2018

Winnenden, 2020-06-30

Alexander Krug
Managing Director



Spnomocnený zostaviť technické podklady.

Techtronic Industries GmbH
Max-Eyth-Straße 10
71364 Winnenden
Germany

Spnomocnený zostaviť technické podklady.

AKUMULÁTORY

Dlhší čas nepoužívané výmenné akumulátory pred použitím dobiť.

Teplota vyššia ako 50°C znižuje výkon výmenného akumulátora. Zabráňte dlhšiemu ohriatiu slnkom alebo kúrením.

Pripájacie kontakty na nabíjacom zariadení a výmennom akumulátore udržiavať čisté.

K zachovaniu optimálnej životnosti se baterie musejí po použití vždy úplne dobiť.

K zabezpečeniu dlhej životnosti by sa akumulátory mali po nabití vybrať z nabíjačky.

Pri skladovaní akumulátora po dobu dlhšiu než 30 dní: Skladujte akumulátor v suchu pri cca 27°C. Skladujte akumulátor pri cca 30%-50% nabíjacej kapacity. Opakujte nabíjanie akumulátora každých 6 mesiacov.

OCHRANA PROTI PREŤAŽENIU AKUMULÁTORA

Akumulátorová sada je vybavená ochranou proti preťaženiu, ktorá ju chráni a zaručuje jej dlhú životnosť. Pri extrémnom zaťažení elektronika akumulátora elektrický nástroj vypne. K pokračovaniu v práci nástroj vypnite a opäť zapnite. V prípade, že sa motor nástroja ani potom nerozbehne, je akumulátorová sada pravdepodobne vybitá a musí sa v nabíjačke opäť nabiť.

PREPRAVA LÍTIOVO-IÓNOVÝCH BATÉRIÍ

Lítiovo-iónové batérie podľa zákonných ustanovení spadajú pod prepravu nebezpečného nákladu.

Preprava týchto batérií sa musí realizovať s dodržiavaním lokálnych, vnútroštátnych a medzinárodných predpisov a ustanovení.

- Spotrebiteľia môžu tieto batérie bez problémov prepravovať po cestách.

- Komerčná preprava lítiovo-iónových batérií prostredníctvom špedičných firiem podlieha ustanoveniam o preprave nebezpečného nákladu. Prípravu k vyexpedovaniu a samotnú prepravu smú vykonávať iba adekvátne vyškolené osoby. Na celý proces sa musí odborne dohliadať.

Pri preprave batérií treba dodržiavať nasledovné:

- Zabezpečiť, aby boli kontakty chránené a izolované, aby sa zamedžilo skratom.
- Dávajte pozor na to, aby sa vzárok batérií v rámci balenia nemohol zošmyknúť.
- Poškodené a vytečené batérie sa nesmú prepravovať.

Kvôli ďalším informáciám sa obráťte na vašu špedičnú firmu.

ÚDRZBA

Vetracie otvory udržiavať stále v čistote.

Vždy odpojte nástroj od elektrickej siete pred montážou alebo demontážou ostria píly.

Prístroj a ochranné zariadenie čistite suchou handričkou. Niektoré čistiace prostriedky poškodzujú plast alebo iné izolované časti. Prístroj udržiavajte čistý a suchý, ako aj bez uniknutého oleja a maziva. Skontrolujte funkčnosť ochranných krytov. Pravidelná údržba a čistenie sa postará o dlhú životnosť a bezpečnú manipuláciu.

Používať len AEG príslušenstvo a AEG náhradné diely. Súčiastky bez návodu na výmenu treba dať vymeniť v jednom z AEG zákazníckych centier (viď brožúru Záruka/ Adresy zákazníckych centier).

V prípade potreby si môžete v servisnom centre pre zákazníkov alebo priamo od firmy Techtronic Industries GmbH, Max-Eyth-Straße 10, 71364 Winnenden, Nemecko, vyžiadať schematický náčrt jednotlivých dielov prístroja pri uvedení typu prístroja a šesťmiestneho čísla na výkonovom štítku.

SYMBOLY



POZOR! NEBEZPEČENSTVO!



Pred každou prácou na stroji výmenný akumulátor vytiahnuť.



Pred prvým použitím prístroja si pozorne prečítajte návod na obsluhu.



Používajte ochranné rukavice!



Používajte ochranu sluchu!

Pri práci so strojom vždy noste ochranné okuliare.

Pri práci nosiť vhodnú ochrannú masku, aby sa nedostal do ľudského organizmu.



Príslušenstvo - nie je súčasťou štandardnej výbavy, odporúčané doplnenie z programu príslušenstva.



Elektrické zariadenia, batérie/akumulátory sa nesmú likvidovať spolu s odpadom z domácností. Elektrické zariadenia, batérie/akumulátory treba zbierať oddelene a odovzdať ich v recyklačnom podniku na ekologickú likvidáciu. Na miestnych úradoch alebo u vášho špecializovaného predajcu sa spýtajte na recyklačné podniky a zberné dvory.



Smer otáčania



Menovitý počet obrátok



Napätie



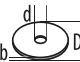
Jednosmerný prúd

Značka zhody v Európe

Značka zhody na Ukrajine

Značka zhody pre oblasť Eurázie

SLOVENSKY 79

Numer produkcyjny.....	4774 12 01...
Znamionowa prędkość obrotowa.....	...000001-999999 20000 min ⁻¹
 D=Średnica tarczy tnącej	76 mm
d=średnica otworu obrobnego	10 mm
b=Grubość tarczy tnącej min. / maks.....	1 mm / 2,8 mm
Maksymalna głębokość cięcia:	16,3 mm
Napięcie baterii akumulatorowej.....	18 V
Ciężar wg procedury EPTA 01/2014 (2,0...6,0 Ah).....	1,2...1,7 kg
Zalecana temperatura otoczenia w trakcie pracy.....	-18...+50 °C
Zalecane rodzaje akumulatora	L1860R, L1850R, L1840R, L1830R, L1825R, L1820R, L1815R, L1820S
Zalecane ładowarki.....	BL1218, BLK1218; AL1218G; AL18G

Informacja dotycząca szumów/wibracji (cięcie betonu)

Zmierzone wartości wyznaczono zgodnie z normą EN 60 745.

Typowy poziom ciśnienia akustycznego mierzony wg krzywej A:

Poziom ciśnienia akustycznego (Niepewność K=3dB(A))

Poziom mocy akustycznej (Niepewność K=3dB(A))

Należy używać ochroniaczy uszu!

Wartości łączne drgań (suma wektorowa trzech kierunków)

wyznaczone zgodnie z normą EN 60745

Wartość emisji drgań a_{h,se}

Niepewność K=.....

OSTRZEŻENIE

Podany w niniejszych instrukcjach poziom drgań został zmierzony za pomocą metody pomiarowej zgodnej z normą EN 60745 i może być użyty do porównania ze sobą elektronarzędzi. Nadaje się on również do tymczasowej oceny obciążenia wibracyjnego.

Podany poziom drgań reprezentuje główne zastosowania elektronarzędzia. Jeśli jednakże elektronarzędzie użyte zostanie do innych celów z innym narzędziami roboczymi lub nie jest dostatecznie konserwowane, wtedy poziom drgań może wykazywać odchylenia. Może to wyraźnie zwiększyć obciążenie wibracjami przez cały okres pracy.

Dla dokładnego określenia obciążenia wibracjami należy uwzględnić również czasy, w których urządzenie jest wyłączone względnie jest włączone, lecz w rzeczywistości nie pracuje. Może to spowodować wyraźną redukcję obciążenia wibracyjnego w całym okresie pracy.

Należy wprowadzić dodatkowe środki zapobiegawcze celem ochrony obsługującego przed oddziaływaniem drgań, jak na przykład: konserwacja narzędzi roboczych i elektronarzędzi, nagranie rąk, organizacja przebiegu pracy.

⚠ OSTRZEŻENIE! Należy przeczytać wszystkie wskazówki bezpieczeństwa, instrukcje, opisy i specyfikacje dotyczące tego elektronarzędzia. Zaniedbania w przestrzeganiu poniższych wskazówek mogą spowodować porażenie prądem, pożar i/lub ciężkie obrażenia ciała. **Należy starannie przechowywać wszystkie przepisy i wskazówki bezpieczeństwa dla dalszego zastosowania.**

⚠ WSKAZÓWKI DOTYCZĄCE BEZPIECZEŃSTWA DLA PŁŁ TARCZOWYCH

a) Należący do elektronarzędzia kołpak ochronny musi być założony w sposób pewny i nastawiony w taki sposób, żeby zostało osiągnięte maksimum bezpieczeństwa, tzn. żeby ku osobie obsługującej maszynę skierowana była jak najmniejsza część otwarta ściernicy. Zarówno obsługą jak i osoby znajdujące się w pobliżu powinny trzymać się poza płaszczyznę wirującą ściernicy. Kołpak ochronny powinien chronić osobę obsługującą maszynę przed odłamkami oraz przypadkową stycznością ze ściernicą.

b) Do elektronarzędzi używają wyłącznie tarcz tnących ze spoiwem o zwiększonej wytrzymałości lub tarcz tnących diamentowych. Sam fakt, że możesz zamocować osprzęt na swoim elektronarzędziu, nie gwarantuje żadnego bezpiecznego użytkowania.

c) Dopuszczalna liczba obrotów osprzętu musi być przynajmniej tak wysoka, jak maksymalna liczba obrotów podana na urządzeniu elektrycznym. Osprzęt, który obraca się szybciej niż jest to dozwolone, może pęknąć i zostać ciśnięty w powietrze.

d) Ściernicę można używać tylko do prac dla nich przewidzianych. Nie należy np. nigdy szlifować boczną powierzchnią ściernicy tarczowej do cięcia. Tarczowe ściernice tnące przeznaczone są do usuwania materiału krawędzią tarczy. Wpływ sił bocznych na te ściernice może je złamać.

e) Korzystać tylko z nieszkodzonych kołnierzy mocujących, dopasowanych wielkością do danej tarczy tnącej. Prawidłowo dobrane kołnierze podpierają tarczę tnącą zmniejszając w ten sposób ryzyko jej złamania.

f) Nie należy używać zużytych ściernic z większych elektronarzędzi. Ściernice do większych elektronarzędzi nie są zaprojektowane dla wyższej liczby obrotów, która jest charakterystyką mniejszych elektronarzędzi i mogą się dlatego złamać.

g) Średnica zewnętrzna oraz grubość osprzętu tnącego musi odpowiadać wymiarom ustalonym dla stosowanego urządzenia elektrycznego. Osprzęt o nieprawidłowych wymiarach nie może być dostatecznie osłaniany ani kontrolowany.

h) Tarcze szlifierskie oraz kołnierze muszą być dokładnie dopasowane do wrzeciona ściernicy elektronarzędzia. Narzędzia nasadzone, które nie pasują dokładnie do wrzeciona ściernicy, obracają się nierównomiernie, bardzo silnie wibrują i mogą prowadzić do utraty kontroli nad narzędziem.

i) Nie należy użytkować żadnych uszkodzonych ściernic. Przed każdym użyciem należy skontrolować ściernice pod względem odprysków i pęknięć. Jeżeli elektronarzędzie lub ściernica spadnie, to należy sprawdzić, czy nie została ona uszkodzona lub użyć nieszkodzonej ściernicy. Po skontrolovaniu i nasadzeniu ściernicy zarówno obsługą jak i osoby znajdujące się w pobliżu powinny trzymać się poza

plaszczyną wirującej ściernicy i należy pozwolić, żeby urządzenie pracowało przez minutę na najwyższych obrotach. Uszkodzone ściernice przeważnie pękają w trakcie tego czasu testowego.

j) Należy nosić osobiste wyposażenie ochronne. W zależności od rodzaju pracy, należy nosić maskę ochronną pokrywającą całą twarz, ochronę oczu lub okulary ochronne. W razie potrzeby należy użyć maski przeciwpyłowej, ochrony słuchu, rękawic ochronnych lub specjalnego fartucha, chroniącego przed małymi cząstkami ściieranego i obrabianego materiału. Należy chronić oczy przed unoszącymi się w powietrzu ciałami obcymi, powstałymi w czasie pracy. Maski przeciwpyłowa i ochronna dróg oddechowych muszą filtrować powstający podczas pracy pył. Oddziaływanie hałasu przez dłuższy okres czasu, może doprowadzić do utraty słuchu.

k) Zwrócić uwagę na to, aby osoby postronne również zachowywały bezpieczny odstęp od stanowiska pracy operatora urządzenia. Każdy, kto znajduje się w obrębie stanowiska pracy, musi posiadać odzież ochronną. Odłamki obrabianego materiału oraz uszkodzony osprzęt może wirować w powietrzu i być źródłem skałceń także poza głównym obszarem pracy.

l) Podczas prac, przy których nasadka szlifierska może mieć kontakt z ukrytymi przewodami przewodzącymi prąd, zawsze należy trzymać elektronarzędzie za izolowane powierzchnie chwytające. W przypadku kontaktu z kablem pod napięciem elektrycznym, napięcie mogą również przewodzić metalowe części elektronarzędzia, doprowadzając w ten sposób do porażenia prądem operatora.

m) Nigdy nie odkładać urządzenia zanim obrotowy osprzęt tnący całkowicie się nie zatrzyma. Obracające się narzędzia mogłyby nawiązać kontakt z powierzchnią, na którą zostały odożone, przez co operator mógłby stracić kontrolę nad urządzeniem.

n) Nie wolno przenosić elektronarzędzia, znajdującego się w ruchu. Pr przypadkowy kontakt ubrania z obracającym się narzędziem roboczym może spowodować jego wciągnięcie i wwiercenie się narzędzia roboczego w ciało osoby obsługującej.

o) Należy regularnie czyścić szczeliny wentylacyjne elektronarzędzia. Dmuchawa silnika wciąga kurz do obudowy, a duże nagromadzenie pyłu metalowego może spowodować zagrożenie elektryczne.

p) Nie korzystać z osprzętu wymagającego użycia płynnych czynników chłodzących. Korzystanie z wody lub innych płynnych czynników chłodzących może prowadzić do porażenia prądem.

Dalsze wskazówki dotyczące bezpieczeństwa dla stosowania ściernic przecinających.

Odrzut i związane z nim wskazówki bezpieczeństwa

Odrzut jest nagłą reakcją powstałą wskutek zacięcia lub zakleszczenia obracającej się ściernicy. Zacięcie lub zakleszczenie prowadzi do nagłego zastopowania wirującego narzędzia nasadzanego. Wskutek tego niekontrolowane elektronarzędzie zostaje przyspieszone w kierunku przeciwnym do obrotów narzędzia nasadzanego w miejscu blokady.

Gdy, np. ściernica zatnie się lub zakleszczy w obrabianym przedmiocie, zanurzona w materiale krawędź ściernicy, może się zablokować i spowodować jej wypadnięcie lub odrzut. Ruch ściernicy (w kierunku osoby obsługującej lub od niej) uzależniony jest wtedy od kierunku ruchu ściernicy w miejscu zablokowania. Oprócz tego ściernice mogą się również złamać.

Odrzut jest następstwem niewłaściwego lub błędnego użycia elektronarzędzia. Można go uniknąć przez zachowanie opisanych poniżej odpowiednich środków ostrożności.

a) Elektronarzędzie należy mocno trzymać, a ciało i ręce ustawić w pozycji, umożliwiającej złagodzenie odrzutu. Jeżeli w skład wyposażenia standardowego wchodzi uchwyt dodatkowy, należy go zawsze używać, żeby mieć jak największą kontrolę nad siłami odrzutu lub momentem odwodzącym podczas rozruchu. Osoba obsługująca urządzenie może opanować szarpnięcia i zjawisko odrzutu poprzez zachowanie odpowiednich środków ostrożności.

b) Nie należy nigdy trzymać rąk w pobliżu obracających się narzędzi roboczych. Narzędzie robocze może wskutek odrzutu zranić rękę.

c) Unikaj obszaru przed i za wirującą ściernicą. Odrzut napędza elektronarzędzie w kierunku przeciwnym do ruchu ściernicy w miejscu zablokowania.

d) Szczególnie ostrożnie należy obrabiać narożniki, ostre krawędzie itd. Należy zapobiegać temu, by narzędzia robocze zostały odbite lub by się one zablokowały. Obracające się narzędzie robocze jest bardziej podatne na zakleszczenie przy obróbce kątów, ostrych krawędzi lub gdy zostanie odbite. Może to stać się przyczyną utraty kontroli lub odrzutu.

e) Nie należy używać żadnego brzeszczotu do pił łańcuchowych lub brzeszczotu ząbkowanego ani żadnej segmentowej tarczy diamentowej o szczeplinach większych niż 10 mm. Takie narzędzia nasadzone powodują często odrzut lub utratę kontroli nad elektronarzędziem.

f) Należy unikać zablokowania się tarczy tnącej lub za dużego nacisku. Nie należy przeprowadzać nadmiernie głębokich cięć. Przeciążenie tarczy tnącej podwyższa jej obciążenie i jej skłonność do zakleszczenia się lub zablokowania i tym samym możliwość odrzutu lub złamania się tarczy.

g) W przypadku zakleszczenia się tarczy tnącej lub przerwy w pracy, elektronarzędzie należy wyłączyć i odczekać, aż tarcza całkowicie się zatrzyma. Nigdy nie należy próbować wyciągać poruszającej się jeszcze tarczy z miejsca cięcia, gdyż może to wywołać odrzut. Należy wykryć i usunąć przyczynę zakleszczenia się.

h) Nie włączać ponownie elektronarzędzia, dopóki znajduje się ono w materiale. Przed kontynuacją cięcia, tarcza tnąca powinna osiągnąć swoją pełną prędkość obrotową. W przeciwnym wypadku ściernica może się zaczepić, wyskoczyć z przedmiotu obrabianego lub spowodować odrzut.

i) Płyty lub duże przedmioty należy przed obróbką podeprzeć, aby zmniejszyć ryzyko odrzutu, spowodowanego przez zakleszczoną tarczę. Duże przedmioty mogą się ugiąć pod ciężarem własnym. Obrabiany przedmiot należy podeprzeć z obydwu stron, zarówno w pobliżu linii cięcia jak i przy krawędzi.

j) Zachować szczególną ostrożność przy wycinaniu otworów w ścianach lub operowaniu w innych niewidocznych obszarach. Wgłębiająca się w materiał tarcza tnąca może spowodować odrzut narzędzia po natrąceniu na przewody gazowe, wodociągowe, przewody elektryczne lub inne przedmioty.

DODATKOWE WSKAZÓWKI BEZPIECZEŃSTWA I INSTRUKCJE ROBOCZE

Dopuszczalna liczba obrotów osprzętu musi być przynajmniej tak wysoka, jak maksymalna liczba obrotów podana na urządzeniu elektrycznym. Osprzęt, który obraca się szybciej niż jest to dozwolone, może pęknąć i zostać ciśnięty w powietrze.

Stosować wyposażenie ochronne. Przy pracy maszyną zawsze nosić okulary ochronne. Zalecana jest odzież ochronna, jak maska pyłochronna, rękawice ochronne, mocne i chroniące przed poślizgiem obuwie, kask i ochronniki słuchu.

Kurz powstający przy pracy z tym elektronarzędziem może być szkodliwy dla zdrowia, w związku z tym nie powinien dotrzeć do ciała. Nosić odpowiednią maskę przeciwpyłową. Nie wolno obrabiać materiałów, które mogą być przyczyną zagrożenia zdrowia (na przykład azbestu).

W przypadku zablokowania narzędzia nasazanego należy natychmiast wyłączyć urządzenie! Nie należy ponownie włączać urządzenia tak długo, jak długo narzędzie nasadzone jest zablokowane; przy tym mógłby powstać odrzut zwrotny o dużym momencie reakcyjnym. Należy wykryć i usunąć przyczynę zablokowania narzędzia nasazanego uwzględniając wskazówki dotyczące bezpieczeństwa.

Możliwymi przyczynami tego mogą być:

- Skośne ustawienie się w poddawany obróbce przedmiocie obrabianym
- Przerwanie materiału poddawanego obróbce
- Przeciążenie narzędzia elektrycznego

Nie należy sięgać do wnętrza maszyny będącej w ruchu.

Narzędzie nasadzone może w trakcie użytkowania stać się gorące.

- przy wymianie narzędzia
- przy odstawianiu urządzenia

Podczas pracy przy ścianach, sufitach i podłodze należy uważać na kable elektryczne, przewody gazowe i wodociągowe.

Przed przystąpieniem do jakichkolwiek prac na elektronarzędziu należy wyjąć wkładkę akumulatorową.

Zużytych akumulatorów nie wolno wrzucać do ognia ani traktować jako odpadów domowych. AEG oferuje ekologiczną utylizację zużytych akumulatorów.

Nie przechowywać akumulatorów wraz z przedmiotami metalowymi (niebezpieczeństwo zwarcia).

Akumulatory Systemu GBS należy ładować wyłącznie przy pomocy ładowarek Systemu GBS. Nie ładować przy pomocy tych ładowarek akumulatorów innych systemów.

Nie otwierać wkładek akumulatorowych i ładowarek. Przechowywać w suchych pomieszczeniach. Chronić przed wilgocią.

W skrajnych warunkach temperaturowych lub przy bardzo dużym obciążeniu może dochodzić do wycieku kwasu akumulatorowego z uszkodzonych baterii akumulatorowych. W przypadku kontaktu z kwasem akumulatorowym należy natychmiast przemyć miejsce kontaktu wodą z mydłem. W przypadku kontaktu z oczami należy dokładnie przepłukiwać oczy przynajmniej przez 10 minut i zwrócić się natychmiast o pomoc medyczną.

Ostrzeżenie! Aby uniknąć niebezpieczeństwa pożaru, obrażeń lub uszkodzeń produktu na skutek zwarcia, nie wolno zanurzać narzędzia, akumulatora wymiennego ani ładowarki w cieczach i należy zwrócić się o to, aby do urządzeń i akumulatorów nie dostały się żadne ciecze. Zwarcie spowodować mogą korodujące lub przewodzące ciecze, takie jak woda morska, określone chemikalia i wybielacze lub produkty zawierające wybielacze.

WARUNKI UŻYTKOWANIA

To narzędzie odcinające jest przeznaczone do cięcia różnych materiałów.

Produkt można użytkować wyłącznie zgodnie z jego normalnym przeznaczeniem.

Aby zminimalizować ryzyko obrażeń, należy używać jedynie ściernic diamentowych typu 1 o maksymalnej grubości 2,8 mm, które zapewniają bezpieczną pracę przy minimalnej liczbie obrotów 20 000 min⁻¹. Ściernice typu 1 nadają się wyłącznie do szlifowania bocznego, nie natomiast do szlifowania powierzchni. Należy przestrzegać wszelkich wskazówek bezpieczeństwa dostarczanych wraz z ściernicami tarczowymi do cięcia.

Aby wybrać odpowiednią ściernicę, należy zapoznać się z poniższym zestawieniem. Konieczne jest zastosowanie różnych ściernic w zależności od materiału. Należy przestrzegać instrukcji obsługi producenta ściernicy.

Typ ściernicy	Do szlifowania
Ściernica karbowana	Karton-gipsu, tworzywa sztucznego
Ściernica tarczowa do cięcia	Stali, stali nierdzewnej, tworzyw niezawierających żelaza
Ściernica diamentowa	Płytek, betonu, cegieł, ceramiki, cementu włóknistego

ZABEZPIECZENIE PRZECIĄŻENIOWE

Przy wysokim obciążeniu silnika aktywuje się ochrona przeciążeniowa. W celu kontynuacji pracy wyłączyć i ponownie włączyć maszynę.

DEKLARACJA ZGODNOŚCI CE

Oświadczamy na naszą wyłączną odpowiedzialność, że produkt opisany w punkcie „Dane techniczne” jest zgodny ze wszystkimi istotnymi przepisami Dyrektywy 2011/65/EU (RoHS), 2014/30/UE, 2006/42/WE oraz z następującymi zharmonizowanymi dokumentami normatywnymi:

EN 60745-1:2009+A11:2010
EN 60745-2-22:2011+A11:2013
EN 55014-1:2017+A11:2020
EN 55014-2:2015
EN IEC 63000:2018

Winnenden, 2020-06-30



Alexander Krug
Managing Director



Upełnomocniony do zestawienia danych technicznych
Techtronic Industries GmbH
Max-Eyth-Straße 10
71364 Winnenden
Germany

BATERIE AKUMULATOROWE

Akumulatory, które nie były przez dłuższy czas użytkowane, należy przed użyciem naładować.

W temperaturze powyżej 50°C następuje spadek osiągniętych wkladki akumulatorowej. Unikaj długotrwałego wystawienia na oddziaływanie ciepła lub promieni słonecznych (niebezpieczeństwo przegrzania).

Styki ładowarek i wkładek akumulatorowych należy utrzymywać w czystości

W celu zagwarantowania optymalnej żywotności należy po zakończonej eksploatacji naładować akumulatory do pełna.

Dla zapewnienia możliwie długiej żywotności akumulatory należy wyjąć z ładowarki po ich naładowaniu.

W przypadku składowania akumulatorów dłużej aniżeli 30 dni:

Przechowywać je w suchym miejscu w temperaturze ok. 27°C.

Przechowywać je w stanie naładowanym do ok. 30% - 50%.

Ładować je ponownie co 6 miesięcy.

ZABEZPIECZENIE PRZECIĄŻENIOWE AKUMULATORA

Pakiet akumulatorowy jest wyposażony w zabezpieczenie przed przeciążeniem, które chroni akumulator przed przeciążeniem i zapewnia jego dużą żywotność. Przy ekstremalnie silnym narażeniu elektronika akumulatora automatycznie wyłącza maszynę. Aby kontynuować pracę należy wyłączyć i ponownie włączyć maszynę. Jeżeli nie nastąpiłby ponowny rozruch maszyny, to możliwe, że pakiet akumulatorowy jest wyładowany i musi zostać ponownie naładowany w ładowarce.

TRANSPORT AKUMULATORÓW LITOWO-JONOWYCH

Akumulatory litowo-jonowe podlegają ustawowym przepisom dotyczącym transportu towarów niebezpiecznych.

Transport tych akumulatorów winien odbywać się przy przestrzeganiu lokalnych, krajowych i międzynarodowych rozporządzeń i przepisów.

- Odbiorcom nie wolno transportować tych akumulatorów po drogach ot tak po prostu.
- Komercyjny transport akumulatorów litowo-jonowych przez przedsiębiorstwa spedycyjne podlega przepisom dotyczącym transportu towarów niebezpiecznych. Przygotowania do wysyłki oraz transport mogą być wykonywane wyłącznie przez odpowiednio przeszkoloną osobę. Cały proces winien odbywać się pod fachowym nadzorem.

W czasie transportu akumulatorów należy przestrzegać następujących punktów:

- Celem uniknięcia zwarcia należy upewnić się, że zestyki są zabezpieczone i zaizolowane.
- Zwracać uwagę na to, aby zespół akumulatorów nie mógł się przemieszczać we wnętrzu opakowania.
- Nie wolno transportować akumulatorów uszkodzonych lub z wyciekającym z elektrolitem.

Odnosnie dalszych wskazówek należy zwrócić się do swojego przedsiębiorstwa spedycyjnego.

UTRZYMANIE I KONSERWACJA

Otworki wentylacyjne elektronarzędzia muszą być zawsze drożne.

Należy pamiętać, aby przed założeniem lub zdjęciem tarczy tnącej wyjąć wtyczkę z gniazda sieciowego.

Oczyszczyć urządzenie i elementy zabezpieczające za pomocą suchej ściereczki. Niektóre środki czyszczące powodują uszkodzenie tworzywa sztucznego lub innych izolowanych części. Utrzymywać urządzenie w stanie czystym i suchym oraz wolnym od wyciekającego oleju i smaru. Sprawdzić działanie osłon. Regularna konserwacja i czyszczenie przyczyniają się do wydłużonej trwałości i bezpiecznego użytkowania.

Używać tylko i wyłącznie wyposażenia dodatkowego AEG i części zamiennych AEG. Gdyby trzeba było wymienić części, które nie zostały opisane, należy skontaktować się z przedstawicielem serwisu AEG (patrz wykaz adresów punktów usługowych/gwarancyjnych).

W razie potrzeby można zamówić rysunek urządzenia w rozłożeniu na części podając typ maszyny oraz sześciopozycyjny numer na tabliczce znamionowej w Punkcie Obsługi Klienta lub bezpośrednio w firmie Techtronic Industries GmbH, Max-Eyth-Straße 10, 71364 Winnenden, Germany.

SYMBOLY



UWAGA! OSTRZEŻENIE
NIEBEZPIECZESTWO!



Przed przystąpieniem do jakichkolwiek prac na elektronarzędziu należy wyjąć wkładkę akumulatorową.



Przed uruchomieniem elektronarzędzia zapoznać się uważnie z treścią instrukcji.



Nosić rękawice ochronne!



Należy używać ochraniaczy uszu!
Podczas pracy należy zawsze nosić okulary ochronne.



Nosić odpowiednią maskę przeciwpyłową.



Wyposażenie dodatkowe dostępne osobno.



Urządzenia elektryczne, baterie/akumulatory nie mogą być usuwane razem z odpadami pochodzącymi z gospodarstw domowych. Urządzenia elektryczne i akumulatory należy gromadzić oddzielnie i w celu usuwania ich do odpadów zgodnie z wymaganiami środowiska naturalnego oddawać do przedsiębiorstwa utylizacyjnego. Proszę zasięgnąć informacji o centrach recyklingowych i punktach zbiorczych u władz lokalnych lub u wyspecjalizowanego dostawcy.



Kierunek obrotów



Znamionowa prędkość obrotowa



Napięcie



Prąd stały



Europejski Certyfikat Zgodności



Ukraiński Certyfikat Zgodności



Euroazjatycki Certyfikat Zgodności

Gyártási szám.....	4774 12 01...
Névleges fordulatszám.....	...000001-999999 20000 min ⁻¹



D=Vágókorong- \varnothing	76 mm
d=furat \varnothing	10 mm
b=A vágókorong átmérője min. / max.....	1 mm / 2,8 mm

Vágásmélység max.....	16,3 mm
Akkumulátor feszültség.....	18 V
Súly a 01/2014 EPTA-eljárás szerint (2,0...6,0 Ah).....	1,2...1,7 kg
Ajánlott környezeti hőmérséklet munkavégzésnél.....	-18...+50 °C
Ajánlott akkutípusok.....	L1860R, L1850R, L1840R, L1830R, L1825R, L1820R, L1815R, L1820S
Ajánlott töltőkészülékek.....	BL1218, BLK1218; AL1218G; AL18G

Zaj/Vibráció-információ (beton vágása)

A közölt értékek megfelelnek az EN 60 745 szabványnak.

Szabvány szerinti A-értékelésű hangszint:

Hangnyomás szint (K bizonytalanság=3dB(A))..... 102,0 dB (A)

Hangteljesítmény szint (K bizonytalanság=3dB(A))..... 91,0 dB (A)

Hallásvédő eszköz használata ajánlott!

Összesített rezgésértékek (három irány vektoriális összege) az EN 60745-nek megfelelően meghatározva.

$a_{h,se}$ rezgésemisszió érték..... 4,2 m/s²

K bizonytalanság = 1,5 m/s²

FIGYELMEZTETÉS

A jelen utasításokban megadott rezgésszint értéke az EN 60745-ben szabályozott mérési eljárásnak megfelelően került lemérésre, és használható elektromos szerszámokkal történő összehasonlításhoz. Az érték alkalmas a rezgésterhelés előzetes megbecslésére is.

A megadott rezgésszint-érték az elektromos szerszám legfőbb alkalmazásait reprezentálja. Ha az elektromos szerszámot azonban más alkalmazásokhoz, eltérő használt szerszámokkal vagy nem elegendő karbantartással használják, a rezgésszint értéke eltérő lehet. Ez jelentősen megnövelheti a rezgésterhelést a munkavégzés teljes időtartama alatt.

A rezgésterhelés pontos megbecsléséhez azokat az időket is figyelembe kell venni, melyekben a készülék lekapcsolódik, vagy ugyan működik, azonban ténylegesen nincs használatban. Ez jelentősen csökkentheti a rezgésterhelést a munkavégzés teljes időtartama alatt.

Határozzon meg további biztonsági intézkedéseket a kezelő védelmére a rezgések hatása ellen, például: az elektromos és a használt szerszámok karbantartásával, a kezek melegen tartásával, a munkafolyamatok megszervezésével.

▲ FIGYELMEZTETÉS! Olvassa el az elektromos kéziszerszámra vonatkozó összes biztonsági útmutatást, utasítást, ábrát és specifikációt. A következőkben leírt utasítások betartásának elmulasztása áramütésekhez, tűzhöz és/vagy súlyos testi sérülésekhez vezethet.

Kérjük a későbbi használatra gondosan őrizze meg ezeket az előírásokat.

▲ KÖRFŰRÉSZEKRE VONATKOZÓ BIZTONSÁGI ÚTMUTATÁSOK

a) Az elektromos szerszámhoz tartozó védőburkolatot biztonságosan fel kell szerelni és úgy kell beállítani, hogy maximális biztonság legyen elérhető, azaz a csiszolótest lehetőleg legkisebb része mutasson burkolatlanul a kezelőszemély felé. Ön és a közelben lévő személyek is tartózkodjanak a forgó csiszolókorong síkján kívül. A védőburkolatnak meg kell védenie a kezelőszemélyt a letört daraboktól vagy a csiszolótesttel történő véletlen érintkezéstől.

b) Kizárólag valamilyen anyagkötésű erősített vagy gyémánt vágókorongokat használjon elektromos szerszámához. Az, hogy a tartozékot rögzíteni tudja elektromos szerszámán, még nem garantálja a biztonságos alkalmazást.

c) A betétszerszám megengedett fordulatszámának legalább annyianak kell lennie, mint az elektromos szerszám megadott legnagyobb fordulatszám. Az olyan tartozék, ami a megengedett fordulatszámánál gyorsabban forog, eltörhet vagy lerepülhet.

d) A csiszolótesteket csak az azok számára javasolt célokra szabad használni. Például: Soha ne csiszoljon egy vágókorong oldalsó felületével. A vágókorongok arra vannak méretezve, hogy az anyagot a korong élével munkálják le. Az ilyen csiszolótestekre ható oldalirányú erő a csiszolótest töréséhez vezethet.

e) Használjon mindig hibátlan állapotú és megfelelő méretű feszítő karimát az Ön által kiválasztott vágókoronghoz. A megfelelő karima egyenesen tartja a vágókorongot, és ezzel csökkenti annak veszélyét, hogy eltörik a korong.

f) Ne használjon nagyobb elektromos kéziszerszámokhoz szolgáló elhasználatott csiszolókorongokat. A nagyobb elektromos kéziszerszámokhoz szolgáló csiszolókorongok nincsenek a kisebb elektromos kéziszerszámok magasabb fordulatszámára méretezve és szétválasztva.

g) Az alkalmazott szerszám külső átmérőjének és vastagságának meg kell felelnie az elektromos szerszám megadott méretadatoknak. A nem megfelelő méretű szerszámot nem lehet kellőképpen leburkolni és ellenőrizni.

h) A csiszolókorongoknak és karimáknak pontosan kell illeszkedniük az Ön elektromos szerszámának csiszolóorsójához. Azok az alkalmazott szerszámok, amelyek nem illeszkednek pontosan az elektromos szerszám csiszolóorsójára, egyenetlenül forognak, erősen vibrálnak és a készülék feletti ellenőrzés elvesztéséhez vezethetnek.

i) Ne használjon sérült csiszolókorongokat. Minden használat előtt ellenőrizze a csiszolókorongokat törések és repedések szempontjából. Ha az elektromos szerszám vagy a csiszolókorong leesik, ellenőrizze,

hogy megsérült-e, vagy használjon sérülésmentes csiszolókorongot. Ha Ön ellenőrizte és felszerelte a csiszolókorongot, a közelben lévő személyekkel együtt a forgó csiszolókorong síkján kívül tartózkodjon, és járassa a készüléket egy percig maximális fordulatszámra. A sérült csiszolókorongok legtöbbször széttörnek ezen tesztidő alatt.

j) Viseljen személyi védőfelszerelést. Használjon az alkalmazásnak megfelelő teljes védőálarcot, szemvédőt vagy védőszemüveget. Amennyiben célszerű, viseljen porvédő álarcot, zajtompító fülvédőt, védő kesztyűt vagy különleges kötényt, amely távol tartja a csiszolószerszám- és anyagrészeket. Mindenképpen védje meg a szemét a kirepülő idegen anyagoktól, amelyek a különböző alkalmazások során keletkeznek. A por- vagy védőálarcnak meg kell szűrnie a használat során keletkező port. Ha hosszú ideig ki van téve az erős zaj hatásának, elvesztheti a hallását.

k) Ügyeljen arra, hogy más személyek biztos távolságra legyenek a munkaterülettől. Minden személynek védőfelszerelést kell viselnie, aki belép a munkaterületre. A munkadarabról lepattanó szilánkok vagy a letört szárszámrészek szétrepülhetnek, és a közvetlen munkaterületen kívül is sérüléseket okozhatnak.

l) Olyan munkálatoknál, melyeknél a darabolórátét rejtett, feszültség alatti vezetékekkel érintkezhet, az elektromos szerszámot mindig a szigetelt markolatnál kell megfogni. Feszültség alatti kábellel történő érintkezés esetén az elektromos szerszám fém alkatrészei is feszültség alá kerülhetnek, így a kezelő áramütést szenvedhet.

m) Ne tegye le soha addig az elektromos szerszámot, amíg a mozgó betétszerszám nem állt le teljesen. A forgó betétszerszám hozzáérhet a felfekvő felülethez, és ezáltal kontrollálhatatlanná válhat az elektromos szerszám.

n) Ne járassa az elektromos kéziszerszámot, miközben azt a kezében tartja. A forgó betétszerszám egy véletlen érintkezés során bekaphatja a ruháját és a betétszerszám belefürödhet a testébe.

o) Tisztítsa meg rendszeresen az elektromos kéziszerszáma szellőzőnyílásait. A motor ventilátora beszívja a port a házba, és nagyobb mennyiségű fémport felhalmozódása elektromos veszélyekhez vezethet.

p) Ne használjon olyan betétszerszámokat, melyekhez folyékony hűtőközeg szükséges. A víz vagy más folyékony hűtőközeg használata áramütést okozhat.

További biztonsági útmutatások vágókorongos alkalmazásokhoz

Visszarúgás és megfelelő biztonsági útmutatások

A visszarúgás a forgó csiszolókorong megszorulására vagy leblokkolására érkező hirtelen reakció. A megszorulás vagy leblokkolás a forgó betétszerszám hirtelen leállítását okozza. Ezáltal a kontroll alól kikerül az elektromos szerszám a betétszerszám forgásirányával szemben gyorsul a megakadás helyén.

Ha például egy csiszolókorong megszorul vagy leblokkol a megmunkálásra kerülő munkadarabban, a csiszolókorongnak a munkadarabra bemenő éle leáll és így a csiszolókorong kiugorhat vagy visszarúgást okozhat. A csiszolókorong ekkor a korongnak a leblokkolási pontban fennálló forgásirányától függően a kezelő személy felé, vagy attól távolodva mozog. A csiszolókorongok ilyenkor el is törhetnek.

A visszarúgás az elektromos kéziszerszám hibás vagy helytelen használatának következménye. Ezt az alábbiakban leírásra kerülő megfelelő óvatossági intézkedésekkel meg lehet gátolni.

a) Tartsa szorosan fogva az elektromos kéziszerszámot, és hozza a testét és a karjait olyan helyzetbe, amelyben fel tudja venni a visszarúgási erőt. Használja mindig a pótfogantyút, amennyiben létezik, hogy a lehető legjobban tudjon uralkodni a visszarúgá-

si erők, illetve felfutáskor a reakciós nyomaték felett.

A kezelő személy megfelelő óvatossági intézkedésekkel uralkodni tud a visszarúgási és reakcióerők felett.

b) Soha ne vigye a kezét a forgó betétszerszám közelébe. A betétszerszám visszarúgás esetén a kezéhez érhet.

c) Kerülje el a forgó vágótárcsa előtti és mögötti területet. A visszarúgás a megakadás helyén a csiszolókorong mozgásával ellentétes irányba mozdítja az elektromos szerszámot.

d) A sarkok és élek közelében különösen óvatosan dolgozzon, akadályozza meg, hogy a betétszerszám lepattanjon a munkadarabról, vagy megszoruljon a munkadarabban. A forgó betétszerszám a sarkoknál, éleknél és lepattanás esetén könnyen megszorul. Ez a készülék feletti uralom elvesztéséhez, vagy visszarúgáshoz vezet.

e) Ne használjon láncos vagy fogazott fűrészlapot, valamint 10 mm-nél szélesebb részekkel rendelkező szegmentált gyémánt vágókorongot. Az ilyen betétszerszámok gyakran visszarúgást okoznak, vagy az elektromos szerszám feletti ellenőrzés elvesztéséhez vezetnek.

f) Kerülje el a vágókorong leblokkolását, és ne gyakoroljon túl erős nyomást a készülékre. Ne végezzen túl mély vágást. A túlterhelés megnöveli a vágókorong igénybevitelét és megszorulást vagy leblokkolást hajlámát és visszarúgáshoz vagy a csiszolótest töréséhez vezethet.

g) Ha a vágókorong megszorul, vagy ha Ön megszakítja a munkát, kapcsolja ki az elektromos kéziszerszámot és tartsa azt nyugodtan, amíg a korong teljesen leáll. Soha ne próbálja meg kihúzni a még forgó vágókorongot a vágásból, mert ez visszarúgáshoz vezethet. Határozza meg és hárítsa el a megszorulás okát.

h) Addig ne kapcsolja ismét be az elektromos kéziszerszámot, amíg az meg benne van a munkadarabban. Várja meg, amíg a vágókorong eléri a teljes fordulatszámát, mielőtt óvatosan folytatná a vágást. A korong ellenkező esetben megszorulhat, kiugorhat a munkadarab-ból, vagy visszarúgáshoz vezethet.

i) Támassza fel a lemezeket vagy nagyobb munkadarabokat, hogy csökkentsék a megszoruló vágókorong következtében fellépő visszarúgás kockázatát. A nagyobb munkadarabok saját súlyuk alatt meghajolhatnak. A munkadarabot mindkét oldalán, és mind a vágási vonal közelében, mind a szélénél alá kell támasztani.

j) Ha egy meglévő falban, vagy más be nem látható területen hoz létre "zseb alakú vágást", járjon el különös óvatossággal. Az anyagba behatoló vágókorong gáz- vagy vízvezetékbe, elektromos vezetékbe vagy más tárgykba ütközhet, amelyek visszarúgást okozhatnak.

TOVÁBBI BIZTONSÁGI ÉS MUNKAÉGÉZSI UTASÍTÁSOK

Az alkalmazott szárszámalkatrész megengedett fordulatszámának legalább annyinak kell lennie, mint az elektromos szárszám megadott legnagyobb fordulatszám.

Az olyan tartozék, ami a megengedett fordulatszámnál gyorsabban forog, eltörhet vagy lerepülhet.

Használjon védőfelszerelést! Ha a gépen dolgozik, mindig hordjon védőszemüveget! Javasoljuk a védőruházat, úgymint porvédő maszk, védőcipő, erős és csúszásbiztos lábbeli, sisak és hallásvédő használatát.

A munka során keletkező por gyakran egészségre káros, ezért ne kerüljön a szervezetbe. Hordjon e célra alkalmas porvédőmaszkot.

Nem szabad olyan anyagokat megmunkálni, amelyek egészségre veszélyesek (pl. azbesztet).

A betétszerszám elakadásakor azonnal ki kell kapcsolni a készüléket! Addig ne kapcsolja vissza a készüléket, amíg a betétszerszám elakadása fennáll; ennek során nagy ellennyomatékú visszarúgás történhet. Határozza és szüntesse meg a betétszerszám elakadásának okát a biztonsági útmutatások betartása mellett.

Ennek következők lehetnek az okai:

- a szerszám elakad a megmunkálандó munkadarabban
- a megmunkálандó anyag átszakadt
- az elektromos szerszám túlterhelése

Ne nyúljon a járó géphe.

A betétszerszám az alkalmazás során felforrósodhat.

- szerszámcserekor
- a készülék lerakásakor

Falban, fődében, aljzatban történő fúrásnál fokozottan ügyelni kell az elektromos-, víz- és gázvezetésekre.

Karbantartás, javítás, tisztítás, stb. előtt az akkumulátort ki kell venni a készülékből.

A használt akkumulátort ne dobja tűzbe vagy a háztartási szemétkébe. Tájékozódjon a szakszerű megsemmisítés helyi lehetőségeiről.

Az akkumulátort ne tárolja együtt fém tárgyakkal. (Rövidzárlat veszélye).

Az GBS elnevezésű rendszerhez tartozó akkumulátorokat kizárólag a rendszerhez tartozó töltővel töltsen fel. Ne használjon más rendszerbe tartozó töltőt.

Az akkumulátort, töltőt nem szabad megbontani és kizárólag száraz helyen szabad tárolni. Nedvességtől óvni kell.

Akkumulátor sav folyhat a sérült akkumulátorból extrém terhelés alatt, vagy extrém hő miatt. Ha az akkumulátor sav a bőrére kerül azonnal mossa meg szappanos vízzel. Szembe kerülés esetén folyóvíz alatt tartsa a szemét minimum 10 percig és azonnal forduljon orvoshoz.

Figyelmeztetés! A rövidzárlat általi tűz, sérülések vagy termékkárosodások veszélye elkerülésére ne merítse a szerszámot, a cserélhető akkut vagy a töltőkészüléket folyadékba, és gondoskodjon arról, hogy ne hatoljanak folyadékok a készülékekbe és az akkuba. A korrózió hatású vagy vezetőképes folyadékok, mint pl. a sós víz, bizonyos vegyi anyagok, fehérítők vagy fehérítő tartalmú termékek, rövidzárlatot okozhatnak.

RENDELTETTESZERŰ HASZNÁLAT

Ez a vágószerszám különböző anyagok vágására szolgál.

A készüléket kizárólag az alábbiakban leírtaknak megfelelően szabad használni.

A sérülésveszély minimálisra csökkentése érdekében csak 1-es típusú, max. 2,8 mm vastagságú gyémánt csiszolókorongot használjon, amelyek biztonságosan üzemeltethetők 20 000 min⁻¹ minimális fordulatszámmal. Az 1-es típusú csiszolókorongok csak oldalcsiszolásra alkalmasak, szicsiszolásra nem. Tartson be minden biztonsági útmutatást, amelyet a vágókorongokhoz mellékeltek.

A megfelelő csiszolókorong kiválasztásához használja az alábbi áttekintést. Anyagtól függően különböző csiszolókorongokat kell használni. Vegye figyelembe a csiszolókorong gyártójának használati útmutatásait.

Korong típus	Csiszolandó anyag
Karbid csiszolókorongok	Gipszkarton, műanyag
Vágókorongok	Acél, nemesacél, vasat nem tartalmazó anyagok
Gyémánt vágókorongok	Csemege, beton, téglá, kerámia, szálerezősítésű cement

TÜLTERHELÉS-VÉDELME

A motor nagyfokú túlterhelése esetén kiold a túlterhelés-védő. A munkavégzés folytatásához a gépet ki és újból be kell kapcsolni.

86 MAGYAR

CE-AZONOSSÁGI NYILATKOZAT

Egyedüli felelősséggel kijelentjük, hogy a „Műszaki Adatok” alatt leírt termék a 2011/65/EU (RoHS), 2014/30/EU, 2006/42/EK irányelvek minden releváns előírásának, ill. az alábbi harmonizált normatív dokumentumoknak megfelel:

EN 60745-1:2009+A11:2010
EN 60745-2-22:2011+A11:2013
EN 55014-1:2017+A11:2020
EN 55014-2:2015
EN IEC 63000:2018

Winnenden, 2020-06-30

Alexander Krug
Managing Director



Műszaki dokumentáció összeállításra felhatalmazva

Techtronic Industries GmbH
Max-Eyth-Straße 10
71364 Winnenden
Germany

AKKUK

A hosszabb ideig üzemben kívül lévő akkumulátort használat előtt ismételtelen fel kell tölteni.

50°C feletti hőmérsékletnél csökkenhet az akkumulátor teljesítménye. Kerülni kell a túlzottan meleg helyen vagy napon történő hosszabb idejű tárolást.

A töltő és az akkumulátor csatlakozóit mindig tisztán kell tartani.

Az optimális élettartam érdekében használat után az akkukat teljesen fel kell tölteni.

A lehetőleg hosszú élettartamhoz az akkukat feltöltés után ki kell venni a töltőkészülékből.

Az akku 30 napot meghaladó tárolása esetén:
Az akkut kb. 27 °C-on, száraz helyen kell tárolni.
Az akkut kb. 30-50%-os töltöttségi állapotban kell tárolni.
Az akkut 6 havonta újra fel kell tölteni.

AZ AKKUMULÁTOR TÚLTERHELÉS ELLENI VÉDELME

Az akkucsomag olyan túlterhelés elleni védelemmel rendelkezik, mely védi az akkut a túlterhelés ellen, és hosszú élettartamot biztosít. Rendkívül erős igénybevétel esetén az akkuelektronika automatikusan lekapcsolja a gépet. A további munkavégzéshez a gépet ki-, majd ismét be kell kapcsolni. Ha a gép nem indul el ismét, akkor lehetséges, hogy az akkucsomag lemerült és azt újból fel kell tölteni a töltőben.

LÍTIUM-ION AKKUK SZÁLLÍTÁSA

A lítium-ion akkuk veszélyes áruk szállítására vonatkozó törvényi rendelkezések hatálya alá tartoznak.

Az ilyen akkuk szállításának a helyi, országos és nemzetközi előírások és rendelkezések betartása mellett kell történnie.

- A fogyasztók minden további nélkül szállíthatják az ilyen akkukat közúton.
- A lítium-ion akkuk szállítmányozási vállalatok általi kereskedelmi célú szállítására a veszélyes áruk szállítására vonatkozó rendelkezések érvényesek. A kiszállítás előkészítését és a szállítást kizárólag megfelelő képzettségű személyek végezhetik. A teljes folyamatnak szakmai felügyelet alatt kell történnie.

A következő pontokat kell figyelembe venni akkuk szállításakor:

- Biztosítsa, hogy a rövidzárlatok elkerülése érdekében az érintkezők védve és szigetelve legyenek.

- Ügyeljen arra, hogy az akkucsomag ne tudjon elcsúszni a csomagoláson belül.

- Tilos sérült vagy kifolyt akkukat szállítani.

További útmutatásokért forduljon szállítmányozási vállalatához.

KARBANTARTÁS

A készülék szellőzőnyílásait mindig tisztán kell tartani.

A fűrészlap felhelyezése és eltávolítása előtt ügyeljen arra, hogy kihúzza a szerszámot az elektromos hálózathoz.

A készüléket és a védőeszközt száraz kendővel tisztítsa. Némely tisztítószer károsítja a műanyagot, és más szigetelt alkatrészeket. Tartsa a készüléket tisztán és szárazon, valamint kifolyt olajoktól és zsiroktól mentesen. Ellenőrizze a védőburkolatok működését. A rendszeres karbantartás és tisztítás hosszú élettartamról és biztonságos kezeléssel rendelkező gondoskodik.

Csak AEG tartozékokat és AEG pótalkatrészeket szabad használni. Az olyan elemeket, melyek cseréje nincs ismertetve, cseréltesse ki AEG szervizzel (lásd Garancia/Ügyfélszolgálat címei kiadványt).

Igény esetén a készülékről robbantott rajz kérhető a géptípus és a teljesítménycímként található hatjegyű szám megadásával az Ön vevőszolgálatánál, vagy közvetlenül a Techtronic Industries GmbH-től a Max-Eyth-Straße 10, 71364 Winnenden, Németország címen.



Európai megfelelési jelölés



Ukrán megfelelési jelölés



Eurázsiai megfelelési jelölés

SZIMBÓLUMOK



FIGYELEM! FIGYELMEZTETÉS! VESZÉLY!



Karbantartás, javítás, tisztítás, stb. előtt az akkumulátort ki kell venni a készülékből.



Kérjük alaposan olvassa el a tájékoztatót mielőtt a gépet használja.



Hordjon védőkesztyűt!



Hallásvédő eszköz használata ajánlott!

Munkavégzés közben ajánlatos védőszemüveget viselni.

Hordjon e célra alkalmas porvédőmaszkot.



Azokat a tartozékokat, amelyek gyárilag nincsenek a készülékhez mellékelve, külön lehet megrendelni.



Az elektromos eszközöket, elemeket/akkukat nem szabad a háztartási hulladékkal együtt ártalmatlanítani.

Az elektromos eszközöket és akkukat szelektíven kell gyűjteni, és azokat környezetbarát ártalmatlanítás céljából hulladékhasznosító üzemben kell leadni. A helyi hatóságoknál vagy szakkereskedőjénél tájékozódjon a hulladékudvarokról és gyűjtőhelyekről.



Forgásirány

n

Névleges fordulatszám

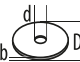
V

Feszültség



Egyenáram

MAGYAR 87

Proizvodna številka.....	4774 12 01...
Nazivno število vrtljajev000001-999999 20000 min ⁻¹
 D=Rezalne plošče-ø	76 mm
d=vrtanje - ø	10 mm
b=Debelina rezalne plošče min. / maks.....	1 mm / 2,8 mm
Globina reza maks.....	16,3 mm
Napetost izmenljivega akumulatorja.....	18 V
Teža po EPTA-proceduri 01/2014 (2,0...6,0 Ah)	1,2...1,7 kg
Priporočena temperatura okolice pri delu.....	-18...+50 °C
Priporočene vrste akumulatorskih baterij	L1860R, L1850R, L1840R, L1830R, L1825R, L1820R, L1815R, L1820S
Priporočeni polnilniki.....	BL1218, BLK1218; AL1218G; AL18G

Informacije o hrupnosti/vibracijah (rezanje betona)

Vrednosti merjenja ugotovljene ustrežno z EN 60 745.

A ocenjeni nivo zvočnega tlaka znaša tipično

Nivo zvočnega tlaka (Nevarnost K=3dB(A))..... 102,0 dB (A)

Višina zvočnega tlaka (Nevarnost K=3dB(A))..... 91,0 dB (A)

Nosite zaščito za sluh!

Skupna vibracijska vrednost (Vektorska vsota treh smeri) določena ustrežno EN 60745.

Žaganje lesa a_{h,SG}..... 4,2 m/s²Nevarnost K=..... 1,5 m/s²**OPOZORILO**

V teh navodilih navedena raven tresljajev je bila izmerjena po EN60745 normiranem merilnem postopku in lahko služi medsebojni primerjavi električnih orodij. Prav tako je primeren za predhodno oceno obremenitve s tresljaji.

Navedena raven tresljajev navaja najpomembnejše vrste rabe električnega orodja. Kadar se električno orodje uporablja za drugačne namene, z odstopajočimi orodji ali pa z nezadostnim vzdrževanjem, lahko raven tresljajev tudi odstopa. Le to lahko čez celoten delovni čas znatno zviša obremenitev s tresenjem.

Za natančno oceno obremenitve s tresljaji naj bi se upošteval tudi čas v katerem je naprava izklopljena ali sicer teče, vendar dejansko ni v rabi. Le to lahko obremenitev s tresljaji čez celoten delovni čas znatno zmanjša.

Za zaščito upravljalca pred učinkom tresljajev uvedite dodatne zaščitne ukrepe npr.: Vzdrževanje električnega orodja in orodja, delo s toplimi rokami, organizacija delovnih potekov.

⚠ OPOZORILO! Preberite vsa varnostna opozorila in navodila, prikaze in specifikacije tega električnega orodja. Zakasnelo upoštevanje sledečih navodil lahko povzroči električni udar, požar in/ali težke poškodbe. **Vsa opozorila in napotila shranite, ker jih boste v prihodnje še potrebovali.**

⚠ VARNOSTNA OPOZORILO ZA KROŽNE ŽAGE

a) Električnemu orodju pripadajoča zaščitna avba mora biti varno nameščena in tako nastavljena, da bo dosežena najvišja mera varnosti, to pomeni, da najmanjši možen del brusilnega telesa prosto kaže proti upravljalcu. Zadržujte se, kakor tudi v bližini nahajajoče osebe, izven ravnih rotirajočih brusilnih plošč. Zaščitna avba naj bi upravljalca ščitila pred odlomljenimi kosi in naključnemu stiku z brusilnim telesom.

b) Za vaše električno orodje uporabljajte izključno vezane ojačane ali diamantne rezalne plošče. To, da pribor na električno orodje lahko pritrдите, še ne jamči varne uporabe.

c) Dovoljeno število vrtljajev uporabljenega orodja mora biti vsaj tako visoko, kot je največje število vrtljajev električnega orodja. Pribor, ki se vrti hitreje od dovoljenega števila vrtljajev, se lahko polomi in razleti.

d) Brusila lahko uporabljate samo za vrste uporabe, ki jih priporoča proizvajalec. Na primer: Nikoli ne brusite s stransko ploskvijo rezalne plošče. Rezalne plošče so namenjene odstranjevanju materiala z robom plošče. Brusilo se lahko zaradi bočnega delovanja sile zlomi.

e) Uporabljajte zmeraj nepoškodovane vpenjalne prirobnice v pravi velikosti za izbrano rezalno ploščo.

Primerne prirobnice podpirajo rezalno ploščo in zmanjšajo nevarnost loma rezalne plošče.

f) **Ne uporabljajte obrabljenih brusilnih kolutov večjih električnih orodij.** Brusilni koluti za večja električna orodja niso konstruirana za višje število vrtljajev, s katerimi delujejo manjša električna orodja in se lahko zato zlomijo.

g) **Zunanji premer in debelina delovnega orodja morajo odgovarjati navedbenim meram Vaše električne naprave.** Nepravilno izmerjeno uporabno orodje se ne more zadostno zasloniti oziroma kontrolirati

h) **Brusilne plošče in prirobnica morajo točno nalegati na brusilno vreteno vašega električnega orodja.** Orodja, ki točne ne nalegajo na brusilno vreteno električnega orodja, se vrtijo neenakomerno, močno vibrirajo in lahko privedejo do izgube nadzora.

i) **Ne uporabljajte poškodovanih brusilnih plošč.** Pred vsako uporabo kontrolirajte brusilne plošče glede na odkrušenost in razpoke. Kadar električno orodje ali brusilna plošča padeta na tla, preverite ali je poškodovana, ali uporabite nepoškodovano brusilno ploščo. V kolikor ste brusilno ploščo prekontrolirali in vstavili, se vi in v bližini nahajajoče osebe zadržujte izven ravnih rotirajočih brusilnih plošč in pustite napravo eno minuto teči pri najvišjem številu vrtljajev. Poškodovane brusilne plošče najpogosteje v tem testnem času počijo.

j) **Uporabljajte osebno zaščitno opremo.** Odvisno od vrste uporabe si nataknite zaščitno masko čez cel obraz, zaščito za oči ali zaščitna očala. Če je potrebno, nosite zaščitno masko proti prahu, zaščitne slušnike, zaščitne rokavice ali specialni predpasnik, ki Vas bo zavaroval pred manjšimi delci materiala, ki nastajajo pri brušenju. Oči je treba zavarovati pred tuji, ki nastajajo pri različnih vrstah uporabe naprave in letijo naokrog.

Zaščitna maska proti prahu ali dihalna maska morata filtrirati prah, ki nastaja pri uporabi. Predolgo izpostavljanje glasnemu hrupu ima lahko za posledico izgubo sluha.

k) Pazite pri drugih osebah na varnostno razdaljo do Vašega delovnega področja. Vsakdo ki pristopi delovnem področju mora nositi osebno zaščitno opremo. Drobci obdelovanca ali zlomljeno delovno orodje lahko odletijo in povzročijo poškodbe ven direktnega delovnega področja.

l) Pri delih, pri katerih lahko brusilni nastavek pride v stik z zakritimi električnimi vodi, električni kabel vedno držite na izoliranih prijemnih površinah. Pri stiku z električnimi kablji lahko postanejo električno prevodni tudi kovinski deli električnega orodja in upravljevec lahko doživi električni udar.

m) Ne odlagajte električno napravo vse dokler se električna naprava ni popolnoma umirila. Vrtečo delovno orodje lahko pride v kontakt z odlagalno površino s čimer lahko izgubite kontrolo nad električno napravo.

n) Električno orodje naj medtem, ko ga prenašate naokrog, ne deluje. Vrteče se vsadno orodje lahko zaradi naključnega kontakta zagradi Vaše oblačilo in se zavrti v Vaše telo.

o) Prezračevalne reže Vašega električnega orodja morate redno čistiti. Ventilator motorja povleče v ohišje prah in velika količina nabranega prahu je lahko vzrok za električno nevarnost.

p) Ne uporabljajte delovno orodje katero zahteva tekoča sredstva hlajenja. Uporaba vode ali ostalih tekočih sredstev hlajenja lahko vodijo do električnega udarca.

Nadaljna varnostna opozorila za rezalno brusilno uporabo

Povratni udarec in odgovarjajoč-a varnostna navodila

Povratni udar je nenadna reakcija kot posledica zatakne ali zablokirane vrteče se brusilne plošče. Zatik ali blokiranje vodi do nenadne zaustavitve rotirajočega orodja. Vsled tega se na mestu blokade nenadzorovano električno orodje pospeši v nasprotni smeri vrtenja orodja.

Če se na primer brusilni kolut zatakne ali zablokira v obdelovancu, se lahko rob brusilnega koluta, ki je potopljen v obdelovalec, zaplete vanj in brusilni kolut se odloži ali povzroči povratni udarec. Brusilni kolut se nato premakne proti uporabniku ali proč od njega, odvisno od smeri vrtenja brusilnega koluta na mestu blokiranja. Blokirni koluti se lahko pri tem tudi zlomijo.

Povratni udarec je posledica napačne ali pomanjkljive uporabe električnega orodja. Preprečite ga lahko z ustreznimi previdnostnimi ukrepi. Navedeni so v nadaljevanju besedila.

a) Dobro držite električno orodje in premaknite telo in roke v položaj, v katerem boste lahko prestregli moč povratnega udarca. Če je na voljo dodatni ročaj, ga obvezno uporabljajte in tako zagotovite najboljše možno nadziranje moči povratnih udarcev ali reakcijskih momentov pri zagonu naprave. Z ustreznimi previdnostnimi ukrepi lahko uporabnik obvlada moč povratnih udarcev in reakcijskih momentov.

b) Nikoli z roko ne segajte v bližino vrtečih se vsadnih orodij. V primeru povratnega udarca se lahko orodje premakne čez Vašo roko.

c) Izogibajte se območju pred in za rotirajočo rezalno ploščo. Povratni udar žene električno orodje na mestu blokade v nasprotni smeri premika rezalne plošče.

d) Posebno previdno delajte v kotih, na ostrih robovih in podobnih površinah. Preprečite, da bi vsadna orodja odskočila od obdelovanca in se zagodžila. Vrteče se vsadno orodje se v kotih, na ostrih robovih ali če odskoči, zlahka zagodži. To povzroči izgubo nadzora ali povratni udarec.

e) Ne uporabljajte nobenega verižnega ali ozobljenega žaginega lista kot tudi nobene segmentirane diamantne plošče z več kot 10 mm širokimi zarezami. Tovrstna orodja pogosto povzročajo povratni udar ali izgubo nadzora nad električnim orodjem.

f) Izogibajte se blokiranju rezalne plošče ali premočnemu pritiskanju na obdelovalec. Ne delajte pretirano globokih rezov. Preobremenjenost rezalne plošče se poveča, prav tako dovzetnost za zatikanje ali blokiranje in s tem možnost povratnega udarca ali zloma brusila.

g) Če se rezalna plošča zagodzi ali če prekinete z delom, električno orodje izklopite in ga držite pri miru, dokler se kolut popolnoma ne ustavi. Nikoli ne poskušajte rezalne plošče, ki se še vrti, potegniti iz reza, ker lahko pride do povratnega udarca. Ugotovite in odstranite vzrok zagodžitve.

h) Dokler se električno orodje nahaja v obdelovancu, ga ne smete ponovno vklopiti. Počakajte, da bo rezalna plošča dosegla polno število vrtljajev in šele potem previdno nadaljujte z rezanjem. V nasprotnem primeru se lahko plošča zatakne, skoči iz obdelovanca ali povzroči povratni udarec.

i) Plošče ali velike obdelovance ustrezno podprite in tako zmanjšajte tveganje povratnega udarca zaradi zatakne rezalne plošče. Veliki obdelovanci se lahko zaradi lastne teže upognejo. Obdelovalec mora biti podprt z obeh strani, pa tudi v bližini reza in na robu.

j) Še posebno previdni bodite pri "rezanju žepov" v obstoječe stene ali v druga področja, v katera nimate vpogleda. Pogrezajoča se rezalna plošča lahko pri rezovanju v plinske ali vodovodne cevi ter električne vodnike in druge predmete povzroči povratni udarec.

NADALJNA VARNOSTNA IN DELOVNA OPOZORILA

Dovoljeno število vrtljajev uporabljenega orodja mora biti vsaj tako visoko, kot je največje število vrtljajev električnega orodja. Pribor, ki se vrti hitreje od dovoljenega števila vrtljajev, se lahko polomi in razleti.

Uporabite zaščitno opremo. Pri delu s strojem vedno nosite zaščitna očala. Priporočajo se zaščitna oblačila, kot npr. maska za zaščito proti prahu, zaščitne rokavice, trdno in nestršeče obuvanje, čelada in zaščita za sluh.

Prah, ki nastaja pri delu, je pogosto zdravju škodljiv in naj ne zaide v telo. Nosite ustrezno masko proti prahu.

Obdelava materialov, iz katerih izhaja ogroženost zdravja (npr. azbest), ni dovoljena.

V primeru blokade orodja napravo takoj izklopite! Naprave ponovno ne vklaplajte dokler je orodje blokirano; pri tem bi lahko prišlo do povratnega udara z velikim reakcijskim momentom. Ugotovite in odpravite vzroke blokade orodja ob upoštevanju varnostnih navodil.

Možni razlogi so lahko:

- Zagodžitev v obdelovancu
- prežganje obdelovanega materiala
- Preobremenitev električnega orodja

Ne segajte v stroj v teku.

Orodje lahko med uporabo postane vroče.

- pri menjavi orodja
- pri odlaganju naprave

Pri delih na steni, stropu ali v tleh pazite na električne kable, plinske in vodne napeljave.

Pred vsemi deli na stroji odstranite izmenljivi akumulator.

Izrabljenih izmenljivih akumulatorjev ne mečite v ogenj ali v gospodinjinske odpadke. AEG nudi okolju prijazno odlaganje starih izmenljivih akumulatorjev; prosimo povprašajte vašega strokovnega trgovca.

Izmenljivih akumulatorjev ne hranite skupaj s kovinskimi predmeti (nevarnost kratkega stika).

Izmenljive akumulatorje sistema GBS polnite samo s polnilnimi aparati sistema GBS. Ne polnite nobenih akumulatorjev iz drugih sistemov.

Izmenljivih akumulatorjev in polnilnih aparatov ne odpirajte in jih hranite samo v suhih prostorih. Zaščitite jih pred mokroto.

Pod ekstremno obremenitvijo ali ob ekstremni temperaturi iz poškodovanega izmenljivega akumulatorja lahko izteka akumulatorska tekočina. Po stiku z akumulatorsko tekočino prizadeto mesto takoj izperite z vodo in milom. Po stiku z očmi takoj najmanj 10 minut dolgo temeljito izpirajte in nemudoma obiščite zdravnika.

Opozorilo! V izogib, s kratkim stikom povzročene nevarnosti požara, poškodb ali okvar na proizvodu, orodja, izmenljivega akumulatorja ali polnilne naprave ne potaplajte v tekočine in poskrbite, da ne bo prihajalo do vdora tekočin v naprave in akumulatorje. Korozivne ali prevodne tekočine, kot so slana voda, določene kemikalije in belila ali proizvodi, ki le ta vsebujejo, lahko povzročijo kratek stik.

UPORABA V SKLADU Z NAMEDBOSTJO

To rezalno orodje je namenjeno rezanju različnih materialov.

Ta naprava se sme uporabiti samo v skladu z namedbostjo uporabiti samo za navede namene.

Da bi zmanjšali možnosti poškodb, uporabljajte samo diamantne brusne plošče tipa 1 z največjo debelino 2,8 mm, ki jih je mogoče varno upravljati z minimalno hitrostjo 20.000 vrt / min⁻¹. Brusne plošče tipa 1 so primerne le za stransko brušenje, ne za površinsko brušenje. Upoštevajte vsa varnostna navodila, ki so priložena rezalnim ploščam.

Uporabite spodnjo tabelo, da izberete pravilno brusno ploščo. Odvisno od materiala je treba uporabiti različne brusne plošče. Upoštevajte navodila za uporabo proizvajalca brusne plošče.

Tip brusne plošče	Za brušenje
Brusne plošče iz karbida	Mavčnih plošč, plastike
Rezalne plošče	Jekla, nerjavnega jekla, neželeznih materialov
Diamantne brusne plošče	Ploščic, betona, opek, keramike, vlaknatega cementa

PREOBREMENITVENA ZAŠČITA

Pri visoki preobremenitvi motorja se sproži preobremenitveno varovalo. Za nadaljnja dela s strojem ga je potrebno izklopiti in ponovno vklopiti.

CE-IZJAVA O KONFORMNOSTI

V lastni odgovornosti izjavljamo, da se pod „Tehnični podatki“ opisan proizvod ujema z vsemi relevantnimi predpisi smernice 2011/65/EU (RoHS), 2014/30/EU, 2006/42/ES in s sledečimi harmoniziranimi normativnimi dokumenti:

EN 60745-1:2009+A11:2010
EN 60745-2-22:2011+A11:2013
EN 55014-1:2017+A11:2020
EN 55014-2:2015
EN IEC 63000:2018

Winnenden, 2020-06-30



Alexander Krug
Managing Director



Pooblaščen za izdelavo spisov tehnične dokumentacije.

Techtronic Industries GmbH
Max-Eyth-Straße 10
71364 Winnenden
Germany

AKUMULATORJI

Izmenljive akumulatorje, ki jih daljši čas niste uporabljali, pred uporabo naknadno napolnite.

Temperatura nad 50°C zmanjšuje zmogljivost izmenljivega akumulatorja. Izogibajte se daljšemu segrevanju zaradi sončnih žarkov ali gretja.

Pazite, da ostanete priključni kontakti na polnilnem aparatu in izmenljivem akumulatorju čisti.

Za optimalno življenjsko dobo je akumulatorje potrebno po uporabi napolniti do konca.

Za čim daljšo življenjsko dobo naj se akumulatorji po napolnitvi vzamejo ven iz naprave za polnjenje.

Pri skladiščenju akumulatorjev dalj kot 30 dni:

Akumulator skladiščiti pri 27°C in na suhem.

Akumulator skladiščiti pri 30%-50% stanja polnjenja.

Akumulator spet napolniti vsakih 6 mesecev.

ZAŠČITA PREOBREMENITVE AKUMULATORJA

Komplet akumulatorja je opremljen s preobremenitveno zaščito, ki ščiti akumulator pred preobremenitvijo in zagotavlja dolgo življenjsko dobo.

Pri ekstremno visokih obremenitvah elektronika akumulatorja stroj avtomatsko izklopi. Za nadaljnje delo stroj izklopimo in ponovno vklopimo. V kolikor stroj ponovno ne steče, je komplet akumulatorja morebiti izpraznjen in ga je v polnilcu potrebno ponovno napolniti.

TRANSPORT LITIJ-IONSkih AKUMULATORJEV

Litij-ionski akumulatorji so podvrženi zakonskim določbam transporta nevarnih snovi.

Transport teh akumulatorjev se mora izvajati upoštevajoč lokalne, nacionalne in mednarodne predpise in določbe.

- Potrošniki lahko te akumulatorje še nadalje transportirajo po cesti.
- Komerčni transport litij-ionskih akumulatorjev s strani špeditskih podjetij je potrjen določbam transporta nevarnih snovi. Priprava odpreme in transporta se lahko vrši izključno s strani ustrezno izšolanih oseb. Celoten proces je potrebno strokovno spremljati.

Pri transportu akumulatorjev je potrebno upoštevati sledeče točke:

- V izogib kratkim stikom zagotovite, da bodo kontakti zaščiteni in izolirani.

90 SLOVENSKO

- Bodite pozorni na to, da paket akumulatorja v notranjosti embalaže ne bo mogel zdrsni.
- Poškodovanih ali iztekajočih akumulatorjev ni dovoljeno transportirati.

Za nadaljnja navodila se obrnite na vaše špeditsersko podjetje.

VZDRŽEVANJE

Pazite na to, da so prezračevalne reže stroja vedno čiste.












Pred nameščanjem ali odstranjevanjem rezila žage se prepričajte, da ste orodje odklopili z napajanja.




Napravo in zaščitno pripravo čistite s suho krpo. Mnoga čistilna sredstva poškodujejo umetne mase ali druge izolirane dele. Napravo vzdržujte čisto in suho kakor tudi prosto uhajajočega olja in masti. Preverite delovanje ščitnikov. Redno vzdrževanje in čiščenje poskrbita za dolgo življenjsko dobo in varno rokovanje.

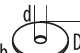
Uporabljajte samo AEG pribor in AEG nadomestne dele. Poskrbite, da sestavne dele, katerih zamenjava ni opisana, zamenjajo v AEG servisni službi (upoštevajte brošuro Garancija/Naslovi servisnih služb).

Po potrebi je mogoče pri vašem servisnem mestu ali neposredno pri Techtronic Industries GmbH, Max-Eyth-Straße 10, 71364 Winnenden, Germany, naročiti eksplozijsko risbo naprave ob navedbi tipa stroja in na tablici navedene šestmestne številke.

SIMBOLI

	POZOR! OPOZORILO! NEVARNO!
	Pred vsemi deli na stroji odstranite izmenljivi akumulator.
	Prosimo, da pred uporabo pozorno preberete to navodilo za uporabo.
	Nositi zaščitne rokavice
	Nosite zaščito za sluh! Pri delu s strojem vedno nosite zaščitna očala. Nosite ustrezno masko proti prahu.
	Oprema – ni vsebovana v obsegu dobave, priporočeno dopolnilo iz programa opreme.
	Električnih naprav, baterij/akumulatorjev ni dovoljeno odstranjevati skupaj z gospodinjstskimi odpadki. Električne naprave in akumulatorje je potrebno zbirati ločeno in za okolju prijazno odstranitev, oddati podjetju za reciklažo. Pri krajevnem uradu ali vašem strokovnem prodajalcu se pozanimajte glede reciklažnih dvorišč in zbirnih mest.
	Smer vrtenja
	Nazivno število vrtljajev
	Napetost
	Enosmerni tok

	Evropska oznaka za združljivost
	Ukrajinska oznaka za združljivost
	Evrazijska oznaka za združljivost

Broj proizvodnje.....	4774 12 01...
Nazivni broj okretaja.....	...000001-999999 20000 min ⁻¹
 D=Rezačke ploče-ø	76 mm
d=otvor sa ø.....	10 mm
b=Debljina rezne ploče min. / max.....	1 mm / 2,8 mm
Dubina rezanja max.....	16,3 mm
Napon baterije za zamjenu.....	18 V
Težina po EPTA-proceduri 01/2014 (2,0...6,0 Ah)	1,2...1,7 kg
Preporučena temperatura okoline kod rada.....	-18...+50 °C
Preporučeni tipovi akumulatora.....	L1860R, L1850R, L1840R, L1830R, L1825R, L1820R, L1815R, L1820S
Preporučeni punjači.....	BL1218, BLK1218; AL1218G; AL18G

Informacije o buci/vibracijama (rezanje betona)

Mjerne vrijednosti utvrđene odgovarajuće EN 60 745.

A-procjenjeni nivo pritiska zvuka aparata iznosi tipično

Nivo pritiska zvuka (Nesigurnost K=3dB(A))..... 102,0 dB (A)

Nivo učinka zvuka (Nesigurnost K=3dB(A))..... 91,0 dB (A)

Nositi zaštitu sluha!

Ukupne vrijednosti vibracije (Vektor suma tri smjera) su odmjerene odgovarajuće EN 60745

Vrijednost emisije vibracije a_{h,SG}..... 4,2 m/s²Nesigurnost K=..... 1,5 m/s²**UPOZORENJE**

Ova u ovim uputama navedena razina titranja je bila izmjerena odgovarajuće jednom u EN 60745 normiranom mjernom postupku i može se upotrijebiti za usporedbu električnog alata međusobno. Ona je prikladna i za privremenu procjenu titrajnog opterećenja.

Navedena razina titranja reprezentira glavne primjene električnog alata. Ukoliko se električni alat upotrebljava u druge svrhe sa odstupajućim primijenjenim alatima ili nedovoljnim održavanjem, onda razina titranja može odstupati. To može titrajno opterećenje kroz cijeli period rada bitno povisiti.

Za točnu procjenu titrajnog opterećenja se moraju uzeti u obzir i vremena u kojima je uređaj isključen ili u kojima doduše radi, ali nije i stvarno u upotrebi. To može titrajno opterećenje bitno smanjiti za vrijeme cijelog radnog perioda.

Utvrdite dodatne sigurnosne mjere za zaštitu poslužioaca protiv djelovanja titranja kao npr.: Održavanje električnih alata i upotrebljenih alata, održavanje topline ruku, organizacija i radne postupke.

⚠ UPOZORENJE! Treba pročitati sve napomene o sigurnosti, upute, prikaze i specifikacije za ovaj električni alat. Propusti kod pridržavanja sljedećih uputa može uzrokovati strujni udar, požar i/ili teške ozljede. **Sačuvajte sve napomene o sigurnosti i upute za buduću primjenu.**

⚠ SIGURNOSNE UPUTE ZA KRUŽNE PILE

a) Zaštitna hauba koja spada uz električni alat mora na siguran način biti postavljena i tako podešena, da se postigne najveća mjera sigurnosti, t.j. najmanji mogući dio brusnog tijela pokazuje otvoreno prema poslužiocu. Držite sebe i osobe koje se nalaze u blizini izvana ravnine rotirajućih brusnih ploča. Zaštitna hauba bi trebala poslužioaca štiti od ulomaka i slučajnog kontakta sa brusnim tijelom.

b) Upotrijebite isključivo vezane pojačane ili dijamantom opremljene rezne ploče za vaš električni alat. Sam razlog, da pribor možete pričvrstiti na vaš električni alat, ne garantira sigurnu uporabu.

c) Dozvoljeni broj okretaja alatnih nastavaka mora najmanje biti toliki kao što je i najveći broj okretaja naveden na električnom alatu. Oprema koja ima veći broj okretaja od dozvoljenog može se polomiti i razletjeti.

d) Brusna tijela se smiju koristiti samo za preporučene mogućnosti primjene. Npr.: ne brusite nikada sa bočnom površinom brusne ploče za rezanje. Brusne ploče za rezanje predviđene su za rezanje materijala sa rubom ploče. Bočnim djelovanjem na ova brusna tijela one se mogu polomiti.

e) Za od Vas izabranu rezu ploču uvijek koristite zdravu priteznu prirubnicu sa pravilnim promjerom. Odgovarajuća prirubnica podupire rezu ploču i na ovaj način smanjuje mogućnost lomljenja ploče.

f) Ne koristite istrošene brusne ploče velikih električnih alata. Brusne ploče za velike električne alate nisu predviđene za veće brojeve okretaja manjih električnih alata i mogu puknuti.

g) Vanjski promjer i debljina korištenog alata moraju biti sukladni mjerama Vašeg električnog stroja. Alati sa ne primjernih mjerama se ne mogu dovoljno pokriti i kontrolirati.

h) Brusne ploče i prirubnice moraju točno pristajati na brusno vreteno vašeg električnog alata. Ugradni alati koji ne pristaju točno na brusno vreteno električnog alata se vrte neravnomjerno, vrlo jako vibriraju i mogu dovesti do gubitka kontrole.

i) Nemojte koristiti oštećene brusne ploče. Kontrolirajte prije svake primjene brusne ploče u svezi krhkosti i pukotina. Ako električni alat ili brusna ploča padnu na pod, provjerite da li su oštećene, ili uporabite jednu neoštećenu rusnu ploču. Kada ste brusnu ploču prekontrolirali i umetnuli, držite sebe i osobe koje se nalaze u blizini izvana ravnine rotirajućih brusnih ploča i pustite uređaj da jednu minutu radi pod najvećim brojem okretaja. Oštećene brusne ploče se za vrijeme ovog testa uglavnom polome.

j) Nosite osobnu zaštitnu opremu. Ovisno od primjene koristite masku za zaštitu lica i zaštitne naočale. Ukoliko je to potrebno, nosite masku za zaštitu od prašine, štitičke za sluh, zaštitne rukavice ili specijalne pregače, koje će vas zaštititi od sitnih čestica od

brušenja i materijala. Oči treba zaštititi od letećih stranih tijela koja nastaju kod različitih primjena. Zaštitne maske protiv prašine ili za disanje moraju profilirati prašinu nastalu kod primjene. Ako ste dulje vrijeme izloženi buci, mogao bi vam se pogoršati sluh.

k) Pazite, da su druge osobe na bezopasnoj udaljenosti od Vaše radne zone. Svako, ko ulazi u radnu zonu mora imati sredstva osobne zaštite.

Odlomljeni dijelovi obrađivanog materijala ili pokvareni alat mogu odskočiti i izazvati oštete ljudi čak i izvan neposredne radne zone.

l) Kod radova kod kojih brusni umetak može doći u dodir sa prekrivenim vodovima pod naponom, električni alat uvijek držati na izoliranim površinama drške. Kod kontakta sa kablom pod naponom mogu i metalni dijelovi električnog alata biti postavljeni pod napon i poslužiti kao nanijeti strujni udar.

m) Nikad ne ostavljajte električni stroj bez nadzora, dok se alat ne zaustavi potpuno. Alat koji se vrti može doći u kontakt sa površinom, na kojoj ste ostavili stroj, pri tome lako izgubite kontrolu nad strojem.

n) Ne dopustite da električni alat radi dok ga nosite. Rotirajući radni alat bi slučajnim kontaktom mogao zahvatiti vašu odjeću, a radni alat bi vas mogao ozlijediti.

o) Redovito čistite otvore za hlađenje vašeg električnog alata. Ventilator motora uvlači prašinu u kućište električnog alata, a veliko nakupljanje metalne prašine može uzrokovati električne opasnosti.

p) Ne koristite alat, koji se mora hladiti tekućinama. Upotreba vode ili drugih tekućina za hlađenje mogu izazvati kratki spoj.

Ostale sigurnosne upute za rezačko brusnu primjenu

„Trzaj“ stroja i odgovarajuće sigurnosne upute

Povratni udarac je jedna nagla reakcija usljed jedne zakačene ili blokirane okretajuće brusne ploče. Zakačenost ili blokiranje vodi do naglog zaustavljanja rotirajućeg električnog alata. Time se nekontrolirani električni alat suprotno smjeru okretanja ugradnog alata ubrzava na blokiranom mjestu.

Ako bi se npr. brusna ploča zaglavila ili blokirala u izratku, tada rub brusne ploče koja je zarezala u izradak može odlomiti brusnu ploču ili uzrokovati povratni udar. Brusna ploča se kod toga pomiče prema osobi koja rukuje električnim alatom ili od nje, ovisno od smjera rotacije brusne ploče na mjestu blokiranja. Kod toga se brusne ploče mogu i odlomiti.

Povratni udar je posljedica pogrešne ili neispravne uporabe električnog alata. On se može spriječiti prikladnim mjerama opreza, kao što su dolje opisane.

a) Električni alat držite čvrsto i vaše tijelo i ruke dovedite u položaj u kojem možete preuzeti sile povratnog udara. Ukoliko postoji koristite uvijek dodatnu ruku, kako bi imali najveću moguću kontrolu nad silama povratnog udara ili momentima reakcije kod rada električnog alata. Osoba koja rukuje električnim alatom može prikladnim mjerama opreza ovladati povratnim udarom ili silama reakcije.

b) Vaše ruke nikada ne stavljajte blizu rotirajućeg radnog alata. Radni alat se kod povratnog udara može pomaknuti preko vaših ruku.

c) Izbjegavajte područje ispred i iza rotirajuće rezačke ploče. Povratni udarac poganja električni alat u suprotnom smjeru kretanja brusne ploče na blokiranom mjestu.

d) Posebno opreznim radom u području uglova, oštrih rubova, itd. spriječite čete da se radni alat odbaci od izratka i da se u njemu uklješti. Rotirajući radni alat kada se odbije na uglovima ili oštrim rubovima, sklon je uklještenju. To uzrokuje gubitak kontrole nad radnim alatom ili povratni udar.

e) Nemojte primijenjivati lančani ili nazubljeni list pile niti segmentiranu dvamantu ploču sa širinom proreza većom od 10 mm. Ovakvi ugradni alati prouzrokuju često povratni udar ili gubitak kontrole nad električnim alatom.

f) Izbjegavajte blokiranje brusnih ploča za rezanje ili preveliki pritisak. Ne izvodite prekomjerno duboke rezove. Preopterećenje brusnih ploča za rezanje povećava njihovo naprezanje i sklonost skošenja iz vertikalnog položaja ili blokiranja i time mogućnost povratnog udara ili loma brusne ploče.

g) Ukoliko bi se brusna ploča za rezanje uklještila ili vi prekidate rad, isključite električni alat i držite ga mirno, sve dok se brusna ploča ne zaustavi. Ne pokušavajte nikada brusnu ploču koja se još vrti vaditi iz reza, jer bi inače moglo doći do povratnog udara. Ustanovite i otklonite uzrok uklještenja.

h) Ne uključujte ponovno električni alat sve dok se brusna ploča za rezanje nalazi zarezana u izratku. Prije nego što oprezno nastavite sa rezanjem, postavite da brusna ploča za rezanje prvo postigne svoj puni broj okretaja. Inače bi se brusna ploča mogla zaglaviti, odskočiti iz izratka ili uzrokovati povratni udar.

i) Podložite ploče ili velike izratke, kako bi se izbjegla opasnost povratnog udara od uklještena brusne ploče za rezanje. Veliki izraci se mogu prognuti pod djelovanjem svoje vlastite težine. Izradak se mora osloniti na obje strane, i to kako u blizini brusne ploče za rezanje, tako i na rubu.

j) Budite posebno oprezni kod zarezivanja postojećih zidova ili na drugim nevidljivim područjima. Brusna ploča za rezanje koja je zarezala plinske ili vodovodne cijevi, električne vodove ili ostale objekte, može uzrokovati povratni udar.

OSTALE SIGURNOSNE I RADNE UPUTE

Dozvoljeni broj okretaja alatnih nastavaka mora najmanje biti toliki kao što je i najveći broj okretaja naveden na električnom alatu.

Oprema koja ima veći broj okretaja od dozvoljenog može se polomiti i razletjeti.

Upotrebljavati zaštitnu opremu. Kod radova sa strojem uvijek nositi zaštitne naočale. Preporučuje se zaštitna odjeća, kao zaštitna maska protiv prašine, zaštitne rukavice, čvrste i protiv klizanja sigurne cipele, šljem i zaštitu sluha.

Prašina koja nastaje prilikom rada je često nezdrava i ne bi smjela dospjeti u tijelo. Nositi prikladnu zaštitnu masku protiv prašine.

Ne smiju se obrađivati nikakvni materijali, od kojih prijeti opasnost po zdravlje (npr. azbest).

Kod blokiranja alata koji se upotrebljava uređaj molimo odmah isključiti! Uređaj nemojte ponovno uključiti za vrijeme dok je alat koji se upotrebljava blokiran; time može doći do povratnog udara sa visokim reakcijskim momentom. Pronađite i otklonite uzrok blokiranja alata koji se upotrebljava uz poštivanje sigurnosnih uputa.

Mogući uzroci tome mogu biti:

- Izobličavanje u izratku koji se obrađuje
- Probijanje materijala koji se obrađuje
- Preopterećenje električnog alata

Nemojte sezati u stroj koji radi.

Upotrebjeni alat se može za vrijeme korištenja zagrijati.

- kod promjene alata
- kod odlaganja uređaja

Kod radova na zidu, stropu ili podu paziti na električne kablove kao i vodove plina i vode.

Prije svih radova na stroju izvaditi bateriju za zamjenu.

Istrošene baterije za zamjenu ne bacati u vatru ili u kućno smeće. AEG nudi mogućnost uklanjanja starih baterija

odgovarajuće okolini. AEG nudi mogućnost uklanjanja starih baterija odgovarajuće okolini; upitajte molimo Vašeg stručnog trgovca.

Baterije za zamjenu ne čuvati skupa sa metalnim predmetima (opasnost od kratkog spoja).

Baterije sistema GBS puniti samo sa uređajem za punjenje sistema GBS. Ne puniti baterije iz drugih sistema.

Baterije za zamjenu i uređaje za punjenje ne otvarati i čuvati ih samo u suhim prostorijama. Čuvati protiv vlage.

Pod ekstremnim opterećenjem ili ekstremne temperature može iz oštećenih baterija iscuriti baterijska tekućina. Kod dodira sa baterijskom tekućinom odmah isprati sa vodom i sapunom. Kod kontakta sa očima odmah najmanje 10 minuta temeljno ispirati i odmah potražiti liječnika.

Upozorenje! Zbog izbjegavanja opasnosti od požara jednim kratkim spojem, opasnosti od ozljeda ili oštećenja proizvoda, alat, izmjenjivi akumulator ili napravu za punjenje ne uronjavati u tekućine i pobrinite se za to, da u uređaje ili akumulator ne prodiru nikakve tekućine. Korozirajuće ili vodljive tekućine kao slana voda, određene kemikalije i sredstva za bijeljenje ili proozvođi koji sadrže sredstva bijeljenja, mogu prouzročiti kratak spoj.

PROPIŠNA UPOTREBA

Ovaj alat za rezanje namijenjen je za rezanje različitih materijala.

Ovaj aparat se smije upotrijebiti samo u određene svrhe kao što je navedeno.

Da bi se rizik ozljeđivanja sveo na minimum uporabite dijamantne brusne ploče tipa 1 maksimalne debljine od 2,8 mm koje mogu raditi s jednim minimalnim brojem okretaja od 20.000 min⁻¹. Brusne ploče tipa 1 su prikladne samo za rubno brušenje a ne za plošno brušenje. Poštivajte molimo sve sigurnosne upute koje se isporučuju skupa sa pločama za odrezno brušenje.

Uporabite sljedeći pregled za izbor prikladne brusne ploče. Zavisno o materijalu se moraju koristiti različite brusne ploče. Poštivajte upute za uporabu od strane proizvođača brusnih ploča.

Tip ploče	Za brušenje
Karbidne brusne ploče	Gipskartonske ploče, plastika
Odrezne brusne ploče	Čelik, plemeniti čelik, materijali koji ne sadrže željezo
Dijamantne brusne ploče	Keramičke pločice, beton, opeka, keramika, vlaknasti cement

ZAŠTITA PREOPTEREĆENJA

Kod visokog preopterećenja motora se aktivira zaštita protiv preopterećenja. Da bi se moglo dalje raditi, stroj isključiti i ponovno uključiti

CE-IZJAVA KONFORMNOSTI

Izjavljujemo na osobnu odgovornost, da je proizvod opisan pod „Tehnički podaci“, sukladan sa svim relevantnim propisima smjernice 2011/65/EU (RoHS), 2014/30/EU, 2006/42/EC i sa slijedećim harmoniziranim normativnim dokumentima:

EN 60745-1:2009+A11:2010
EN 60745-2-22:2011+A11:2013
EN 55014-1:2017+A11:2020
EN 55014-2:2015
EN IEC 63000:2018

Winnenden, 2020-06-30



Alexander Krug
Managing Director



Ovlašten za formiranje tehničke dokumentacije.

Techtronic Industries GmbH
Max-Eyth-Straße 10
71364 Winnenden
Germany

BATERIJE

Baterije koje duže vremena nisu korištene, prije upotrebe napuniti.

Temperatura od preko 50°C smanjuje učinak baterija. Duže zagrijavanje od strane sunca ili grijanja izbjeci.

Priključne kontakte na uređaju za punjenje i baterijama držati čistima.

Za optimalni vijek trajanja se akumulatori poslije upotrebe moraju sasvim napuniti.

Za što moguće duži vijek trajanja, akumulatori se nakon punjenja moraju odstraniti iz punjača.

Kod skladištenja akumulatora duže od 30 dana: Akumulator skladištiti na suhom kod ca. 27°C. Akumulator skladištiti kod ca. 30%-50% stanja punjenja. Akumulator ponovno napuniti svakih 6 mjeseci.

ZAŠTITA OD PREOPTEREĆENJA AKUMULATORA

Akkupack je opremljen jednom zaštitom protiv preopterećenja, koja akumulator štiti protiv preopterećenja i osigurava dugi vijek.

Kod ekstremno jakih opterećenja, elektronika akumulatora automatski isključuje stroj. Za nastavak rada stroja isključiti i ponovno uključiti. Ako se stroj ponovno ne pokrene, Akkupack je eventualno ispražnjen i mora se na punjaču ponovno napuniti.

TRANSPORT LITIJSKIH IONSKIH BATERIJA

Litijske-ionske baterije spadaju pod zakonske odredbe u svezi transporta opasne robe.

Prijevoz ovih baterija mora uslijediti uz poštovanje lokalnih, nacionalnih i internacionalnih propisa i odredaba.

- Korisnici mogu bez ustručavanja ove baterije transportirati po cestama.
- Komercijalni transport litijsko-ionskih baterija od strane transportnih poduzeća spada pod odredbe o transportu opasne robe. Otpremničke pripreme i transport smiju izvoditi isključivo odgovarajuće školovane osobe. Kompletni proces se mora pratiti na stručan način.

Kod transporta baterija se moraju poštivati sljedeće točke:

- Uvjerite se da su kontakti zaštićeni i izolirani kako bi se izbjegli kratki spojevi.
- Pazite na to, da blok baterija unutar pakiranja ne može proklizavati.
- Oštećene ili iscurjele baterije se ne smiju transportirati.

U svezi ostalih uputa obratite se vašem prijevoznom poduzeću.

ODRŽAVANJE

Proreze za prozračivanje stroja uvijek držati čistima.









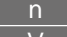



Prije priključivanja ili uklanjanja lista pile osigurajte da je alat iskopčan iz izvora za napajanje.

Aparat i zaštitni uređaj čistite jednom suhom krpom. Neka sredstva za čišćenje oštećuju plastiku ili druge izolirane dijelove. Aparat čuvati čistim i suhim kao i bez iscurjelog ulja i masti. Provjerite funkciju zaštitnih kapa. Redovito održavanje i čišćenje se brinu za dugi vijek trajanja i sigurno rukovanje.

Primijeniti samo AEG opremu i AEG rezervne dijelove. Sastavne dijelove, čija zamjena nije opisana, dati zamijeniti kod jedne od AEG servisnih službi (poštivati brošuru Garancija/Adrese servisa).

Po potrebi se crtež pojedinih dijelova aparata uz navođenje podatka o tipu stroja i šestznamenastog broja na pločici snage može zatražiti kod vašeg servisa ili direktno kod Techtronic Industries GmbH, Max-Eyth-Straße 10, 71364 Winnenden, Njemačka.

SIMBOLI

	PAŽNJA! UPOZORENIE! OPASNOST!
	Prije svih radova na stroju izvaditi bateriju za zamjenu.
	Molimo da pažljivo pročitate uputu o upotrebi prije puštanja u rad.
	Nositi zaštitne rukavice!
	Nositi zaštitu sluha! Kod radova na stroju uvijek nositi zaštitne naočale.
	Nositi prikladnu zaštitnu masku protiv prašine.
	Oprema - u opsegu isporuke nije sadržana, preporučena dopuna iz promgrama opreme.
	Elektrouređaji, baterije/akumulatori se ne smiju zbrinjavati skupa sa kućnim smećem. Električni uređaji akumulatori se moraju skupljati odvojeno i predati na zbrinjavanje primjereno okolišu jednom od pogona za iskorišćavanje. Raspitajte se kod mjesnih vlasti ili kod stručnog trgovca u svezi gospodarstva za recikliranje i mjesta skupljanja.
	Smjer okretanja
	Nazivni broj okretaja
	Napon
	Istosmjerna struja
	Europski znak suglasnosti



Ukrajinski znak suglasnosti



Euroazijski znak suglasnosti

HRVATSKI 95

Izlaides numurs	4774 12 01...
.....	...000001-999999
Nominālais griešanās ātrums	20000 min ⁻¹



D=Griešanas diska diametrs.....	76 mm
d=urbuma ø	10 mm
b=Griešanas diska biezums min. / maks.	1 mm / 2,8 mm

maks. griezuma dziļums	16,3 mm
Akumulātorā spriegums	18 V
Svars atbilstoši EPTA -Procedure 01/2014 (2,0...6.0 Ah)	1,2...1,7 kg
Leteicamā vides temperatūra darba laikā.....	-18...+50 °C
Leteicamie akumulatoru tipi	L1860R, L1850R, L1840R, L1830R, L1825R, L1820R, L1815R, L1820S
Leteicamās uzlādes ierīces	BL1218, BLK1218; AL1218G; AL18G

Trokšņu un vibrāciju informācija (betona griešana)

Vērtības, kas noteiktas saskaņā ar EN 60 745. Instrumenta

tipiskais pēc A vērtētais trokšņa spiediena līmenis parasti sastāda

Trokšņa spiediena līmenis (Nedrošība K=3dB(A))

102,0 dB (A)

Trokšņa jaudas līmenis (Nedrošība K=3dB(A))

91,0 dB (A)

Nēsāt trokšņa slāpētājus!

Svārstību kopējā vērtība (Trīs virzienu vektoru summa) tiek noteikta atbilstoši EN 60745.

Svārstību emisijas vērtība $a_{h,SG}$

4,2 m/s²

Nedrošība K=

1,5 m/s²

UZMANĪBU

Instrukcijā norādītā svārstību robežvērtība ir izmērīta mērījumu procesā, kas veikts atbilstoši standartam EN 60745, un to var izmantot elektroinstrumentu savstarpējai salīdzināšanai. Tā ir piemērota arī svārstību noslogojuma pagaidu izvērtēšanai.

Norādītā svārstību robežvērtība ir reprezentatīva elektroinstrumenta pamata pielietojuma jomām. Tomēr, ja elektroinstrumentus tiek pielietoti citās jomās, papildus izmantojot neatbilstošus elektroinstrumentus vai pēc nepietiekamas tehniskās apkopes, tad svārstību robežvērtība var atšķirties. Tas var ievērojami palielināt svārstību noslogojumu visa darba laikā.

Precīzai svārstību noslogojuma noteikšanai, ir jāņem vērā arī laiks, kad ierīces ir izslēgta vai arī ir ieslēgta, tomēr faktiski netiek lietota. Tas var ievērojami samazināt svārstību noslogojumu visa darba laikā.

Integrējiet papildus drošības pasākumus pret svārstību ietekmi lietotājam, piemēram: elektroinstrumentu un darba instrumentu tehniskā apkope, roku siltuma uzturešana, darba procesu organizācija.

▲ BRĪDINĀJUMS Izlasiet visus šim elektroinstrumentam pievienotos drošības brīdinājumus, instrukcijas, instrukcijas un specifikācijas. Nespēja ievērot visas zemāk uzskaitītās instrukcijas var novest pie elektrošoka, ugunsgrēka un/vai smagiem savainojumiem. **Pēc izlasīšanas uzglabājiet šos noteikumus turpmākai izmantošanai.**

▲ RIPZĀGA DROŠĪBAS NORĀDES

a) Elektroinstrumentam piederošais aizsargapvalks ir droši jānostiprina un jāiestata tā, lai tiktu sasniegta pēc iespējas labāka drošība, t.i., operators var saredzēt tikai pavisam mazu griezējriņas daļu. Neatrodieties pašī un neļaujiet atrasties citiem rotējošās griezējriņas līmenī. Aizsargapvalks pasargā operatoru no atlūzām un nejaušas pieskaršanās griezējriņai.

b) Elektroinstrumentiem izmantojiet tikai nostiprinātas rūdītas vai ar dimantu pārklātas griezējriņas. Ja jūsu elektroinstrumentam ir iespējams piestiprināt attiecīgo papildrīku, tas automātiski nenozīmē, ka to ir iespējams droši izmantot.

c) Iesaistāmā instrumenta pielaujamajam apgriezīenu skaitam jābūt vismaz tik augstam kā uz elektroinstrumenta norādītajam maksimālajam apgriezīenu skaitam. Aprīkojums, kurš rotē ātrāk par pielaujamā ātrumu, var salūzt un tikt atmests atpakaļ!

d) Slīpēšanas darbinstrumentu drīkst izmantot vienīgi tādā veidā, kādam tas ir paredzēts. Piemēram, nekad neizmantojiet slīpēšanai griešanas diska sānu virsmu. Griešanas diski ir paredzēti materiālu apstrādei ar malas

griezējšķautni. Stiprs spiediens sānu virzienā var salauzt šo darbinstrumentu.

e) Vienmēr izmantojiet nebojātus pareizā izmēra spriegošanas atlokus atbilstoši Jūsu izvēlētajam griezējdiskam. Atbilstošie atloki balsta griezējdisku un tādējādi samazina griezējdiska salūšanas risku.

f) Neizmantojiet nolietotus slīpēšanas diskus, kas paredzēti lielākas jaudas elektroinstrumentiem. Lielākiem elektroinstrumentiem paredzētie slīpēšanas diski nav piemēroti darbam mazākos elektroinstrumentos, kuru griešanās ātrums parasti ir lielāks, un tāpēc tie darba laikā var salūzt.

g) Darba instrumenta ārējām diametram un biežumam ir jāatbilst Jūsu elektroinstrumenta norādītajiem izmēriem. Nepareiza izmēra darba instrumentus nav iespējams pietiekami nosegēt vai kontrolēt.

h) Slīpēšanas diskam un atlokiem ir ideāli jāsadē ar elektroinstrumenta slīpēšanas vārpstu. Darba rīki, kas ideāli nesadē ar vārpstu, griežas nevienmērīgi, ļoti spēcīgi vibrē un var izraisīt kontroles zaudēšanu.

i) Neizmantojiet bojātus slīpēšanas diskus. Pirms katras izmantošanas reizes pārbaudiet, vai slīpēšanas diskam nav radušās plaisas vai robi. Ja elektroinstrumentus vai slīpēšanas diskus nokrīt, pārbaudiet, vai tas nav ticis bojāts, vai izmantojiet nebojātu slīpēšanas disku. Ja vēlaties pārbaudīt slīpēšanas diska veselumu, neatrodieties pats un neļaidiet citus vienā līmenī ar slīpēšanas disku, ieslēdziet iekārtu ar maksimālajiem apgriezīeniem un ļaujiet tai darboties aptuveni vienu minūti. Bojāts slīpēšanas diski parasti šajā laikā saplīstu.

j) Lietojiet individuālos darba aizsardzības līdzekļus. Atkarībā no veicamā darba rakstura izvēlieties pilnu sejas aizsargu, noslēdzosās aizsargbrilles vai parastās aizsargbrilles. Lai aizsargātos no lidojošajām slīpēšanas darbinstrumenta un apstrādājamā materiāla daļiņām, pēc vajadzības lietojiet putekļu aizsargmasku, ausu aizsargus un aizsargcimdus vai arī īpašu priekšautu. Lietotāja acis jāpasargā no lidojošajiem sveķermeņiem, kas dažkārt rodas darba gaitā. Putekļu aizsargmaskai vai respiratoram jāpasargā lietotāja elpošanas ceļi no putekļiem, kas veidojas darba laikā. Ilgstoti atrodoties stipra trokšņa iespaidā, var rasties paliekoši dzirdes traucējumi.

k) Sekojiet, lai citas personas atrastos drošā attālumā no Jūsu darba zonas. Ikvienam, kurš ienāk darba zonā, jāvalkā individuālais aizsargaprīkojums. Sagataves vai salūzušu darba instrumentu atlūzas var aizlidot tālāk un radīt savainojumus arī ārpus tiešās darba zonas.

l) Veicot darbus, kuru laikā slīpēšanas piederums varētu saskarties ar pārsegām, strāvu vadošām daļām, vienmēr turiet elektroinstrumentu aiz izolētajām rokturu virsmām. Saskaroties ar strāvu vadību kabeli, strāvu var vadīt arī elektroinstrumenta metāla daļas un lietotājs var saņemt strāvas triecienu.

m) Nekad nenolieciet elektroinstrumentu malā, pirms nav pilnībā apstājis darba instruments. Rotējošais darba instruments var saskarties ar pamatni, kā rezultātā Jūs varat zaudēt kontroli pār elektroinstrumentu.

n) Nedarbiniet elektroinstrumentu laikā, kad tas tiek pārvietots. Lietotāja apģērbs vai mati var nejauši nonākt saskarē ar rotējošo darbinstrumentu un iekerties tajā, izraisot darbinstrumenta saskaršanos ar lietotāja ķermeni.

o) Regulāri tīriet elektroinstrumenta ventilācijas atveres. Dzinēju ventilējošā gaisa plūsmā ievēl putekļus instrumenta korpusā, bet liela metāla putekļu daudzuma uzkrāšanās var būt par cēloni elektrotraumai.

p) Neizmantojiet darba instrumentus, kuru dzesēšanai ir nepieciešami šķidri dzesēšanas līdzekļi. ūdens vai citu šķidru dzesēšanas līdzekļu izmantošana var izraisīt elektriskās strāvas triecienu.

Papildus norādes griezējripu izmantošanai

Atsitiens un attiecīgie drošības norādījumi:

Atsitiens ir pēkšņa reakcija, kas rodas, ja kustībā esošs slīpēšanas disks iekeras vai tiek noblokēts. Iekēršanās vai bloķēšana rada pēkšņu elektroiekārtas rotējošās daļas apstāšanos. Tāda veida nekontrolēts elektroinstrumenta bloķētajā vietā strauji virzīsies pretēji darba rīka griešanās virzienam.

Ja, piemēram, slīpēšanas disks iekeras vai iestrēgst apstrādājamajā priekšmetā, tajā iegremdētā diska mala var izrautes no apstrādājamā materiāla vai izraisīt atsitienu. Šādā gadījumā slīpēšanas disks pārvietojas lietotāja virzienā vai arī prom no viņa, atkarībā no diska rotācijas virziena attiecībā pret apstrādājamo priekšmetu. Turklāt slīpēšanas disks var salūzt.

Atsitiens ir sekas elektroinstrumenta nepareizai vai neprasmīgai lietošanai. No tā var izvairīties, ievērojot zināmus piesardzības pasākumus, kas aprakstīti turpmākajā izklāstā.

a) Stingri turiet elektroinstrumentu un ieņemiet tādu ķermeņa un roku stāvokli, kas vislabāk ļautu pretoties atsitienu spēkam. Vienmēr izmantojiet papildrokturi, kas ļauj optimāli kompensēt atsitienu vai reaktīvo griezes momentu un saglabāt kontroli pār instrumentu. Veicot zināmus piesardzības pasākumus, lietotājs jebkurā situācijā spēj efektīvi pretoties atsitienu un reaktīvajam griezes momentam.

b) Netuviniet rokas rotējošam darbinstrumentam. Atsitienu gadījumā darbinstruments var skart ar lietotāja roku.

c) Izvairieties no zonas rotējoša griezējdiska priekšā un aizmugurē. Atsitienu gadījumā elektroiekārta bloķētajā

punktā tiks atsviesta atpakaļ pretēji darba rīka griešanās virzienam.

d) Ievērojiet īpašu piesardzību, strādājot stūru un asu malu tuvumā. Nepieļaujiet, lai darbinstruments atlektu no apstrādājamā priekšmeta vai iestrēgtu tajā. Saskaroties ar stūriem vai asām malām rotējošais darbinstruments izliecas un atlec no apstrādājamā priekšmeta vai iestrēgst tajā. Tas var būt par cēloni kontroles zaudēšanai pār instrumentu vai atsitienu.

e) Neizmantojiet ķēdes vai zobaino zāgripu, kā arī segmentētās dimanta griezējripas ar vairāk nekā 10 mm lielām spraugām. Šādi darba rīki bieži izraisa atsitienu vai kontroles zudumu pār elektroinstrumentu.

f) Neizdarīet pārlieku lielu spiedienu uz griešanas disku un nepieļaujiet tā iestrēgšanu. Neveidojiet pārāk dziļus griezumus. Pārslodot griešanas disku, tas biežāk iekeras vai iestrēgst griezumā, un līdz ar to pieaug arī atsitienu vai darbinstrumenta salūšanas iespēja.

g) Pārtraucot darbu vai iestrēgstot griešanas diskam, izslēdziet elektroinstrumentu un turiet to nekustīgi, līdz griešanas disks pilnīgi apstājas. Nemēģiniet izvilkāt no griezumā vēl rotējošu griešanas disku, jo šāda darbība var būt par cēloni atsitienu. Noskaidrojiet un novērsiet diska iestrēgšanas cēloni.

h) Neieslēdziet elektroinstrumentu no jauna, ja tajā iestiprinātais darbinstruments atrodas griezuma vietā. Pēc ieslēgšanas nogaidiet, līdz darbinstruments sasniedz pilnu griešanās ātrumu, un tikai tad uzmanīgi turpiniet griešanu. Pretējā gadījumā griešanas disks var iekerties griezumā vai izlekt no tā, kā arī var notikt atsitiens.

i) Lai samazinātu atsitienu risku, iestrēgstot griešanas diskam, atbalstiet griezamā materiāla lokšnes vai liela izmēra apstrādājamos priekšmetus. Lielu priekšmeti var saliekties paši sava svara iespaidā. Apstrādājams priekšmets jāatbalsta abās pusēs – gan griezuma tuvumā, gan arī priekšmeta malā.

j) Levērojiet īpašu piesardzību, veidojot padziļinājumus sienās vai citos objektos, kas nav aplūkojami no abām pusēm. Iegremdējot griešanas disku materiālā, tas var skart gāzes vadu, ūdensvadu, elektropārvades līniju vai citu objektu, kas savukārt var izraisīt atsitienu un/vai būt par cēloni savainojumam.

CITAS DROŠĪBAS UN DARBA INSTRUKCIJAS

Iesaistāmā instrumenta pieļaujamajam apgriezīgu skaitam jābūt vismaz tik augstam kā uz elektroinstrumenta norādītajam maksimālajam apgriezīgu skaitam. Aprīkojums, kurš rotē ātrāk par pieļaujamo ātrumu, var salūzt un tikt atmests atpakaļ!

Jāizmanto aizsargaprīkojums. Strādājot ar mašīnu, vienmēr jānēsā aizsargbrilles. Ieteicams nēsāt aizsargapģērbu, kā piemēram, aizsargmasku, aizsargcimdus, kurpes no stingra un neslīdīga materiāla, ķiveri un ausu aizsargus.

Putekļi, kas rodas darba gaitā, bieži ir kaitīgi veselībai un tiem nevajadzētu nokļūt organismā. Jānēsā piemērota maska, kas pasargā no putekļiem.

Nedrīkst apstrādāt materiālus, kas rada draudus veselībai (piemēram, azbestu).

Ja izmantojamais darba rīks tiek bloķēts, nekavējoties izslēgt ierīci! Neieslēdziet ierīci, kamēr izmantojamais darba rīks ir bloķēts; var rasties atsitiens ar augstu griezes momentu. Noskaidrojiet un novērsiet izmantojamā darba rīka bloķēšanas iemeslu, ievērojot visas drošības norādes.

Iespējamie iemesli:

- iesprūdis apstrādājamajā materiālā
- apstrādājams materiāls ir caursists
- elektroinstrumentis ir pārslodots

Leslēgtai ierīcei nepieskarieties.

Izmantojamais darba rīks darba gaitā var stipri sakarst.

- veicot darba rīka nomaiņu

- noliecot iekārtu

Veicot darbus sienu, griestu un grīdas apvidū, vajag uzmanīties, lai nesabojātu elektriskos, gāzes un ūdens vadus.

Pirms mašīnai veikt jebkāda veida apkopes darbus, ir jāizņem ārā akumulators.

Izmantotos akumolārus nedrīkst mest ugunī vai parastajos atkritumos. Firma AEG piedāvā iespēju vecos akumolātorus savākt apkārtejo vidi saudzējošā veidā; jautājiet specializētā veikalā.

Akumolātorus nav ieteicams glabāt kopā ar metāla priekšmetiem (iespējams īsslēgums).

GBS sistēmas akumolātorus lādēt tikai ar GBS sistēmas lādētājiem. Nedrīkst lādēt citus akumolātorus no citām sistēmām.

Akumolātorus un lādētājus nedrīkst taisīt vaļā un tie jāuzglabā sausās telpās.

Pie ārkārtas slodzes un ārkārtas temperatūrām no bojātā akumolātorā var izteciēt akumolātorā šķidrums. Ja nonākat saskarsmē ar akumolātorā šķidrumu, saskarsmes vieta nekavējoties jānomazgā ar ūdeni un ziepēm. Ja šķidrums nonācis acīs, acis vismaz 10 min. skalot un nekavējoties konsultēties ar ārstu.

Brīdinājums! Lai novērstu īssavienojuma izraisītu aizdegšanās, savainojumu vai produkta bojājuma risku, neiegremdējiet instrumentu, maināmo akumolatoru vai uzlādes ierīci šķidrumos un rūpējieties par to, lai ierīcēs un akumolatoros neiekleļtu šķidrums. Koroziju izraisoši vai vadītspējīgi šķidrumi, piemēram, sālsūdens, noteiktas ķīmikālijas, balinātāji vai produkti, kas satur balinātājus, var izraisīt īssavienojumu.

NOTEIKUMIEM ATBILSTOŠS IZMANTOJUMS

Šo griezējinstrumentu paredzēts izmantot dažādu materiālu griešanai.

Šo instrumentu drīkst izmantot tikai saskaņā ar minētajiem lietošanas noteikumiem.

Lai samazinātu savainojumu risku līdz minimumam, izmantojiet tikai dimanta slīpripu, 1. tipu, ar maksimālo biezumu 2,8 mm, ko var droši ekspluatēt ar minimālo apgriezīenu skaitu 20 000 min⁻¹. 1. tipa slīpripas der tikai sānu, nevis virsmas slīpēšanai. Ievērojiet visas drošības norādes, kas tiek piegādātas kopā ar nogriešanas slīpripām.

Izmantojiet turpmāk sniegto pārskatu, lai izvēlētos piemērotu slīpripu. Atkarībā no materiāla ir jāizmanto dažādas slīpripas. Ievērojiet slīpripu ražotāja lietošanas norādes.

Ripas tips	Lai slīpētu
Karbīda slīpripas	Reģipsi, plastmasu
Nogriešanas slīpripas	Tēraudu, nerūsējošo tēraudu, dzelzi nesaturošus materiālus
Dimanta slīpripas	Flīzes, betonu, ķieģeļus, keramiku, šķiedru cementu

PARSLODZES AIZSARDZĪBA

Ja pastāv augsts motora pārslogojums, iedarbojas aizsardzības sistēma pret pārslogojumu. Lai darbu varētu turpināt, ierīci izslēdziet un atkal ieslēdziet.

ATBILSTĪBA CE NORMĀM

Mēs apliecinām, ka produkts, kura tehniskie parametri aprakstīti „tehnisko datu lapā”, pilnībā atbilst prasībām saskaņā ar direktīvām 2011/65/EU (RoHS), 2014/30/ES, 2006/42/EK un attiecīgajiem harmonizētajiem normatīvajiem dokumentiem:

EN 60745-1:2009+A11:2010
EN 60745-2-22:2011+A11:2013
EN 55014-1:2017+A11:2020
EN 55014-2:2015
EN IEC 63000:2018

Winnenden, 2020-06-30



Alexander Krug
Managing Director



Pilnvarotais tehniskās dokumentācijas sastādītājs.

Techtronic Industries GmbH
Max-Eyth-Straße 10
71364 Winnenden
Germany

AKUMULĀTORI

Akumulātori, kas ilgāku laiku nav izmantoti, pirms lietošanas jāuzlādē.

Pie temperatūras, kas pārsniedz 50°C, akumolātoru darbību tiek negatīvi ietekmēta. Vajag izvairīties no ilgākas saules un karstuma iedarbības.

Lādētāja un akumolātoru pievienojuma kontakti jāuztur tīri.

Lai baterijām būtu optimāls mūžs, pēc lietošanas bateriju bloks pilnībā jāuzlādē.

Lai akumolatori kalpotu pēc iespējas ilgāku laiku, tos pēc uzlādes ieteicams atvienot no lādētāj ierīces.

Akumolatora uzglabāšana ilgāk kā 30 dienas: uzglabāt akumolatoru pie aptuveni 27° C un sausā vietā. Uzglabāt akumolatoru uzlādes stāvoklī aptuveni pie 30%-50%. Uzlādēt akumolatoru visus 6 mēnešus no jauna.

AKUMULATORA AIZSARDZĪBA PRET PĀRSLOGOJUMU

Akumolatoru bloks ir aprīkots ar prepārslogojuma aizsardzību, kas akumolatoru pasargā no pārslogojuma un nodrošina ilgu tā kalpošanas laiku.

Ārkārtīgi augsta noslogojuma gadījumā akumolatorā elektronika ierīci automātiski izslēdz. Lai darbu turpinātu, ierīci izslēdziet un atkal ieslēdziet. Ja ierīce neieslēdzas, iespējams, ka akumolatoru bloks ir izlādējies un ir jāuzlādē no jauna.

LITĪJA JONU AKUMULATORU TRANSPORTĒŠANA

Uz litija jonu akumolatoriem attiecas noteikumi par bīstamo kravu pārvadāšanu.

Šo akumolatoru transportēšana jāveic saskaņā ar vietējiem, valsts un starptautiskajiem normatīvajiem aktiem un noteikumiem.

- Patērētāja darbības, pārvadājot šos akumolatorus pa autoceļiem, nav reglamentētas.
- Uz litija jonu akumolatoru komerciālu transportēšanu, ko veic ekspedīcijas uzņēmums, attiecas bīstamo kravu pārvadāšanas noteikumi. Sagatavošanas darbus un transportēšanu drīkst veikt tikai atbilstoši apmācīts personāls. Viss process jāvada profesionāli.

Veicot akumolatoru transportēšanu, jāievēro:

- Pārlicinieties, ka kontakti ir aizsargāti un izolēti, lai izvairītos no īssavienojumiem.
- Pārlicinieties, ka akumolatoru iepakojumā nevar paslīdēt.
- Bojātus vai tekošus akumolatorus nedrīkst transportēt.

Plašāku informāciju Jūs varat saņemt no ekspedīcijas uzņēmuma.

APKOPE

Vajag vienmēr uzmanīt, lai būtu tīras dzesēšanas atveres.

Pirms zāģa asmens pievienošanas vai noņemšanas noteikti atslēdziet instrumentu no strāvas padeves.

Iekārtu un aizsardzības aprīkojumu jātīra ar tīru un sausu lupatīņu. Atsevišķi tīrīšanas līdzekļi var sabojāt plastmasas un citas izolejošās detaļas. Vienmēr rūpējieties, lai iekārta būtu sausa un tīra, kā arī lai uz tās nebūtu iztecējušas smērvielas paliekas. Pārbaudiet, vai aizsargaprīkojums darbojas pareizi. Regulāra iekārtas apkope un tīrīšana nodrošina tās ilgmūžību un drošu ekspluatāciju.

Izmantojiet tikai firmu AEG piederumus un firmas AEG rezerves daļas. Lieciet nomaiņīt detaļas, kuru nomaiņa nav aprakstīta, kādā no firmu AEG klientu apkalpošanas servisiem. (Skat. brošūru "Garantija/klientu apkalpošanas serviss".)

Pēc pieprasījuma, Jūsu Klientu apkalpošanas centrā vai pie Technotronic Industries GmbH, Max-Eyth-Straße 10, 71364 Winnenden, Vācijā, ir iespējams saņemt iekārtas montāžas rasējumu, iepriekš norādot iekārtas modeli un sērijas numuru, kas atrodas uz datu plāksnītes un sastāv no sešiem simboliem.



Eiropas atbilstības zīme



Ukrainas atbilstības zīme



Eirāzijas atbilstības zīme

SIMBOLI



UZMANĪBU! BĪSTAMI!



Pirms mašīnai veikt jebkāda veida apkopes darbus, ir jāizņem arī akumulators.



Pirms sākt lietot instrumentu, lūdzu, izlasiet lietošanas pamācību.



Jāvalkā aizsargcimdi!



Nēsāt trokšņa slāpētāju!

Strādājot ar mašīnu, vienmēr jānēsā aizsargbrilles.

Jānēsā piemērota maska, kas pasargā no putekļiem.



Piederumi - standartaprīkojumā neietvertās, bet ieteicamās papildus komplektācijas detaļas no piederumu programmas.



Elektriskus aparātus, baterijas/akumulatorus nedrīkst utilizēt kopā ar mājtsaimniecības atkritumiem.

Elektriski aparāti un akumulatori ir jāsavāc atsevišķi un jānodod atkritumu pārstrādes uzņēmumā videi saudzīgai utilizācijai.

Jautājiet vietējā iestādē vai savam specializētājam tirgotājam, kur atrodas atkritumu pārstrādes uzņēmumi vai savākšanas punkti.



Rotācijas virziena



Nominālais griešanās ātrums

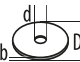


Spriegums



Līdzstrāva

LATVISKI 99

Produkto numeris	4774 12 01...
.....	...000001-999999
Nominalus sūkių skaičius	20000 min ⁻¹
 D=Pjovimo diskai, ø	76 mm
d=Grežimo-ø	10 mm
b=Pjovimo disko storis min. / maks.....	1 mm / 2,8 mm
Maks. pjūvio gylis	16,3 mm
Keičiamo akumuliatoriaus įtampa.....	18 V
Prietaiso svoris įvertintas pagal EPTA 2014/01 tyrimų metodiką (2,0...6,0 Ah)	1,2...1,7 kg
Rekomenduojama aplinkos temperatūra dirbant.....	-18...+50 °C
Rekomenduojami akumuliatorių tipai.....	L1860R, L1850R, L1840R, L1830R, L1825R, L1820R, L1815R, L1820S
Rekomenduojami įkrovikliai	BL1218, BLK1218; AL1218G; AL18G

Informacija apie triukšmą/vibraciją (betono pjaustymas)

Vertės matuotos pagal EN 60 745. Prietaisui būdingas garso

slėgio lygis, koreguotas pagal A dažnio charakteristiką,

Garso slėgio lygis (Paklaida K=3dB(A))

Garso galios lygis (Paklaida K=3dB(A))

Nešioti klausos apsauginės priemonės!

Bendroji svyravimų reikšmė (trijų krypčių vektorių suma), nustatyta remiantis EN 60745.

Vibravimų emisijos reikšmė a_{h,sg}

Paklaida K=

DĖMESIO

Instrukcijoje nurodyta svyravimų ribinė vertė yra išmatuota remiantis standartu EN 60745; ji gali būti naudojama keliems elektriniams instrumentams palyginti. Ji taikoma ir laikinai įvertinti svyravimų apkrovą.

Nurodyta svyravimų ribinė vertė yra taikoma pagrindinėse elektrinio instrumento naudojimo srityse. Svyravimų ribinė vertė gali skirtis naudojant elektrinį instrumentą kitose srityse, papildomai naudojant netinkamus elektrinius instrumentus arba juos nepakankamai techniškai prižiūrint. Dėl to viso darbo metu gali žymiai padidėti svyravimų apkrova.

Siekiant tiksliai nustatyti svyravimų apkrovą, būtina atsižvelgti ir į laikotarpį, kai įrenginys yra išjungtas arba įjungtas, tačiau faktiškai nenaudojamas. Dėl to viso darbo metu gali žymiai sumažėti svyravimų apkrova.

Siekiant apsaugoti vartotojus nuo svyravimo įtakos naudojamos papildomos saugos priemonės, pavyzdžiui, elektrinių darbo instrumentų techninė priežiūra, rankų šilumos palaikymas, darbo procesų organizavimas.

⚠ WARNING Perskaitykite visus saugumo įspėjimus, instrukcijas, peržiūrėkite iliustracijas ir specifikacijas, pateiktas kartu su šiuo įrankiu. Jei nepaisysite visų toliau pateiktų instrukcijų, gali trenkti elektros smūgis, kilti gaisras ir/arba galite sunkiai susižaloti arba sužaloti kitus asmenis. **Išsaugokite šias saugos nuorodas ir reikalavimus, kad ir ateityje galėtumėte jais pasinaudoti.**

⚠ DISKINIO PJŪKLO SAUGUMO NURODYMAI

a) Elektrinio prietaiso apsauginis gaubtas privalo būti uždedamas ir taip nustatomas, kad būtų garantuojamas didžiausias saugumas, t. y. mažiausia šlifavimo įrankio dalis yra nukreipta į valdymo personalą. Jūs ir netoliese esantys asmenys privalo būti ne

besisukančio šlifavimo disko zonoje. Apsauginis gaubtas apsaugo valdymo personalą nuo atlūžusių detalių ir atsitiktinio kontakto su šlifavimo įrankiu.

b) Kartu su savo elektriniu prietaisu naudokite tik sujungtus sustiprintus arba deimantais dengtus pjovimo diskus. Saugus naudojimas negarantuojamas vien todėl, kad priedą galite pritvirtinti prie savo elektros įrankio.

c) Panaudojamų dalių leistinas apsisukimų skaičius turi būti mažiausiai tokio dydžio, koks yra nurodytas didžiausias apsisukimų skaičius ant elektros prietaiso. Dalys, kurios sukasi greičiau negu yra leistina, gali sulūžti ir kristi į šalį.

d) Šlifavimo įrankius leidžiama naudoti tik pagal rekomenduojamą paskirtį. Pvz., niekada nešlifaukite pjovimo disko šoniniu paviršiumi. Pjovimo diskai yra skirti medžiagai pjaunamajai briauna pašalinti. Nuo šoninės apkrovos šie šlifavimo įrankiai gali sulūžti.

e) Savo pasirinktiems pjovimo diskams visada naudokite tik nepažeistas ir tinkamo dydžio tvirtinimo junges. Tinkama jungė laiko pjovimo diską ir apsaugo nuo lūžimo grėsmės.

f) Nenaudokite sudilusių diskų, prieš tai naudotų su didesnėmis šlifavimo mašinomis. Šlifavimo diskai, skirti didesniems elektriniams prietaisams, nėra pritaikyti prie didelio mažųjų prietaisų išvystomo sūkių skaičiaus ir gali sulūžti.

g) Uždedamo įrankio išorinis skersmuo ir storis turi atitikti Jūsų elektrinio įrankio parametrus. Blogai išmatuotų įstatomų darbinį įrankių negalima tinkamai uždengti ar valdyti.

h) Šlifavimo diskai ir jungės turi tiksliai atitikti jūsų elektrinio prietaiso šlifavimo suklij. Įstatomieji įrankiai, kurie tiksliai neatitinka elektrinio prietaiso šlifavimo suklio, sukasi netolygiai, stipriai vibruoja ir dėl jų galite prarasti kontrolę.

i) Nenaudokite pažeistų šlifavimo diskų. Prieš kiekvieną naudojimą patikrinkite, ar šlifavimo diskas nėra sutrūkinėjęs. Jeigu elektrinis prietaisas arba šlifavimo diskas nukrenta, patikrinkite, ar jie nepažeisti arba naudokite nepažeistą šlifavimo diską. Jeigu patikrinte ir įstatėte šlifavimo diską, jūs ir kiti netoliese esantys asmenys privalo būti už besisukančio šlifavimo disko judėjimo zonos ribų, o prietaisui minutę turi būti leidžiama veikti maksimaliu sūkių skaičiumi. Pažeisti šlifavimo diskai dažniausiai lūžta šio bandymo metu.

j) Dirbkite su asmeninėmis apsaugos priemonėmis. Atitinkamai pagal atliekamą darbą užsidėkite viso veido apsaugos priemonės, akių apsaugos priemonės ar apsauginius akinius. Jei nurodyta, užsidėkite

apsauginį respiratorių nuo dulkių, klausos apsaugos priemonės, apsaugines pirštines ir specialią prijuostę, kuri apsaugos Jus nuo smulkių šlifavimo ir ruošinio dalelių. Akys turi būti apsaugotos nuo aplink lekiančių svetimkūnių, atsirandančių atliekant įvairius darbus. Respiratorius arba apsauginę kaukę turi išfiltruoti darbo metu kylančias dulkes. Dėl ilgalaikio ir stipraus triukšmo poveikio galite prarasti klausą.

k) Sekite, kad kiti asmenys nuo Jūsų darbo zonos būtų per saugų atstumą. Kiekvienas įžengiantis į Jūsų darbo zoną asmuo privalo nešioti asmenines saugos priemones. Ruošinio ar darbinio įrankio nuolaužos gali nuskrieti ir sužaloti asmenis taip pat už tiesioginės darbo zonos ribų.

l) Vykdykite darbus, kurių metu abrazyvinis diskas gali paliesti uždengtą elektros linijas, elektrinį įrankį visuomet laikyti už izoliuotų rankenos vietų. Palietus kabelį, kuriuo teka srovė, įrankio metalinėmis dalimis taip pat gali pradėti tekėti srovė, o operatorius dėl to gali gauti elektros smūgį.

m) Niekada nepadėkite elektrinio įrankio tol, kol darbo įrankis visiškai nusustos. Besisukantis įrankis gali prisiliesti prie paviršiaus, ant kurio jis dedamas, tada galite nesuvaldyti elektrinio įrankio.

n) Nešdami prietaisą jo niekada neįjunkite. Netyčia prisilietus prie besisukančio darbo įrankio, jis gali įtraukti drabužius ir Jus sužeisti.

o) Reguliariai valykite elektrinio prietaiso ventiliacines angas. Varioke ventiliatorius traukia dulkes į korpusą, ir susikaupus daug metalo dulkių gali kilti elektros smūgio pavojus.

p) Nenaudokite darbinį įrankių, kuriems reikalingas aušinimas skysčiu. Naudojami vandenį arba kitas skystas aušinimo medžiagas galite gauti elektros smūgį.

Kiti pjovimo ir šlifavimo staklių naudojimo saugos nurodymai

Atatranka ir atitinkami saugos nurodymai

Atatranka yra staigi užstrigusio arba užblokuoto šlifavimo disko reakcija. Užstrigusio arba užblokuoto besisukančio įstatomasis įrankis staiga sustabdomas. Taip nekontroliuojamas elektrinis prietaisas blokavimo vietoje pradėdamas sukėti prieš įstatomąjį įrankio sukimosi kryptį.

Pvz., jei ruošinyje įstringa ar yra užblokuojamas šlifavimo diskas, disko briauna, kuri yra ruošinyje, gali išlūžti ar sukelti atatranką. Tada šlifavimo diskas, priklausomai nuo jo sukimosi krypties blokavimo vietoje, pradeda judėti link dirbančiojo arba nuo jo. Tada šlifavimo diskas gali net nulūžti.

Atatranka yra netinkamo elektrinio prietaiso naudojimo ar gedimo pasekmė. Jos galite išvengti, jei imsitės atitinkamų, žemiau aprašytų priemonių.

a) Dirbdami visada tvirtai laikykite prietaisą abiem rankom ir stenkitės išlaikyti tokią kūno ir rankų padėtį, kurioje sugebėtumėte atsipirti prietaiso pasipriešinimo jėgai atatrankos metu. Jei yra papildoma rankena, visada ją naudokite, tada galėsite suvaldyti atatrankos jėgas bei reakcijos jėgų momentą. Dirbantysis, jei imsis tinkamų saugos priemonių, gali suvaldyti reakcijos jėgas atatrankos metu.

b) Niekada nelaikykite rankų arti besisukančio darbo įrankio. Įvykus atatrankai įrankis gali pataikyti į Jūsų ranką.

c) Venkite būti zonoje prieš ir už besisukančio pjovimo disko. Atatrankos jėga verčia elektrinį prietaisą judėti nuo blokavimo vietos priešinga šlifavimo disko sukimosi kryptimi.

d) Ypač atsargiai dirbkite kampuose, ties aštriomis briaunomis ir t. t. Saugokite, kad darbo įrankis neatsimuštų į kliūtis ir neįstrigtų. Besisukantis darbo įrankis kampuose, ties aštriomis briaunomis arba atsimušęs į kliūtį turi tendenciją užstrigti. Tada prietaisas tampa nevaldomas arba įvyksta atatranka.

e) Nenaudokite grandinių arba dantytų pjovimo diskų bei segmentinių deimantinių diskų, kurių grioveliai platesni kaip 10 mm. Tokie darbo įrankiai dažnai sukelia atatranką arba elektrinis prietaisas tampa nevaldomas.

f) Venkite užblokuoti pjovimo diską ir nespauskite jo per stipriai prie ruošinio. Nemėginkite atlikti pernelgų gilų pjūvių. Per stipriai prispaudus pjovimo diską, padidėja jam tenkanti apkrova ir atsiranda didesnė tikimybė jį pakreipti bei užblokuoti pjūvyje, vadinasi padidėja atatrankos ir disko lūžimo rizika.

g) Jei pjovimo diskas užstringa arba Jūs norite nutraukti darbą, išjunkite elektrinį prietaisą ir laikykite jį ramiai, kol diskas visiškai nusustos. Niekada nemėginkite iš pjūvio vietos ištraukti dar tebesisukantį diską, nes gali įvykti atatranka. Nustatykite ir pašalinkite disko strigimo priežastį.

h) Neįjunkite elektrinio prietaiso iš naujo tol, kol diskas neištrauktas iš ruošinio. Palaukite, kol pjovimo diskas pasieks darbinį sūkių skaičių, ir tik tada atsargiai tęskite pjovimą. Priešingu atveju diskas gali užstrigti, iššokti iš ruošinio ar sukelti atatranką.

i) Plokštes ar didelius ruošinius paremkite, kad sumažintumėte atatrankos riziką dėl užstrigusio pjovimo disko. Dideli ruošiniai gali išlūžti dėl savo svorio. Ruošinį reikia paremti iš abiejų pusių, tiek ties pjūvio vieta, tiek ir prie krašto.

j) Būkite ypač atsargūs pjudami sienose ar kituose nepermatomuose paviršiuose. Panyrantis pjovimo diskas gali pazeisti elektros laidus, dujotiekio ar vandentiekio vamzdžius ar kitus objektus ir sukelti atatranką.

KITI SAUGUMO IR DARBO NURODYMAI

Panaudojamų dalių leistinas apsisukimų skaičius turi būti mažiausiai tokio dydžio, koks yra nurodytas didžiausias apsisukimų skaičius ant elektros prietaiso. Dalys, kurios sukasi greičiau negu yra leistina, gali sulūžti ir skristi į šalis.

Dėvėkite apsaugines priemones. Dirbdami su mašina visada užsidėkite apsauginius akinius. Rekomenduotina dėvėti apsaugines priemones: apsaugos nuo dulkių respiratorius, apsaugines pirštines, kietus batus neslidžiais padais, šalną ir klausos apsaugos priemones.

Darbo metu susidaranti dulkės yra dažnai kenksmingos sveikatai ir todėl turėtų nepatekti į organizmą. Dėvėti tinkamą apsauginę kaukę nuo dulkių.

Negalima apdirbti medžiagų, dėl kurių galimi sveikatos pažeidimai (pvz., asbesto).

Blokuojant įstatomąjį įrankį būtina išjungti prietaisą! Neįjunkite prietaiso, kol įstatomasis įrankis yra užblokuotas; galimas grįžtamasis smūgis su dideliu sukimo momentu. Atsizvelgdami į saugumo nurodymus, nustatykite ir pašalinkite įstatomąjį įrankio blokavimo priežastį.

Galimos priežastys:

- Susidariusios apdirbamo ruošinio briaunos
- Apdirbamos medžiagos pratrūkimas
- Elektros įrankio perkrova

Nekiškite rankų į veikiančią mašiną.

Naudojamas įstatomasis įrankis gali įkaisti.

- keičiant įrankį
- padedant prietaisą

Dirbdami sienoje, lubose arba grindyse, atkreipkite dėmesį į elektros laidus, dujų ir vandens vamzdžius.

Prieš atlikdami bet kokius darbus įrenginyje, išimkite keičiamą akumuliatorių.

Sunaudotų keičiamų akumuliatorių nedėginkite ir nemeskite į buitines atliekas. „AEG“ siūlo tausojantį aplinką sudėvėtų keičiamų akumuliatorių tvarkymą, apie tai prekybos atstovo.

LIETUVIŠKAI 101

Keičiamų akumuliatorių nelaikykite kartu su metaliniais daiktais (trumpojo jungimo pavojus).

Keičiamus GBS sistemos akumuliatorių kraukite tik „C18“ sistemos įkrovikliais. Nekraukite kitų sistemų akumuliatorių.

Keičiamų akumuliatorių ir įkroviklių nelaikykite atvirai. Laikykite tik sausoje vietoje. Saugokitės nuo drėgmės.

Ekstremalių apkrovų arba ekstremalios temperatūros poveikyje iš keičiamų akumuliatorių gali ištekėti akumuliatoriaus skystis. Išsitępus akumuliatoriaus skysčiui, tuoj pat nuplaukite vandeniu su muilu. Patekęs į akis, tuoj pat ne trumpiau kaip 10 minučių gausiai skalaukite vandeniu ir tuoj pat kreipkitės į gydytoją.

Įspėjimas! Siekdami išvengti trumpojo jungimo sukeliama gaisro pavojaus, sužalojimų arba produkto pažeidimų, neikiškite įrankio, keičiamo akumuliatoriaus arba įkroviklio į skysčius ir pasirūpinkite, kad į prietaisus arba akumuliatorių nepatektų jokių skysčių. Koroziją sukeliantys arba laidūs skysčiai, pvz., sūrus vanduo, tam tikri chemikalai ir balikliai arba produktai, kurių sudėtyje yra baliklių, gali sukelti trumpąjį jungimą.

NAUDOJIMAS PAGAL PASKIRTĮ

Šis iškirtimo įrankis skirtas naudoti skirtingoms medžiagoms pjauti.

Šį prietaisą leidžiama naudoti tik pagal nurodytą paskirtį.

Norėdami sumažinti sužeidimo riziką, naudokite tik 1 tipo deimantinius šlifavimo diskus, kurių maksimalus storis – 2,8 mm ir kurie gali saugiai veikti mažiausiai 20 000 suk./min.-1 greičiu. 1 tipo šlifavimo diskai tinka tik šonų, o ne paviršiaus šlifavimui. Laikykites visų saugos nurodymų, pateiktų kartu su pjovimo diskais.

Žemiau pateiktoje apžvalgoje pasirinkite tinkamą šlifavimo diską. Priklausomai nuo medžiagos, turi būti naudojami skirtingi šlifavimo diskai. Laikykites šlifavimo disko gamintojo naudojimo instrukcijų.

Disko tipas	Medžiaga
Karbido šlifavimo diskai	Gipso plokštės, plastikas
Pjovimo diskai	Plienas, nerūdijantis plienas, spalvotieji metalai
Deimantiniai šlifavimo diskai	Plytelės, betonas, plytos, keramika, pluoštinis cementas

APSAUGA NUO PERKROVOS

esant dideliai variklio apkrovai, išjungia apkrovos viršijimo apsauga. Norėdami dirbti toliau, išjunkite mašiną, o tada vėl ją įjunkite.

CE ATITIKTIES PAREIŠKIMAS

Remiantis bendrais atsakomybės reikalavimais pareiškiam, jog skyriuje „Techniniai duomenys“ aprašytas produktas atitinka visus toliau pateiktų juridinių direktyvų reikalavimus: 2011/65/EU (RoHS), 2014/30/ES, 2006/42/EB ir kitus su jomis susijusius norminius dokumentus:

EN 60745-1:2009+A11:2010
EN 60745-2-22:2011+A11:2013
EN 55014-1:2017+A11:2020
EN 55014-2:2015
EN IEC 63000:2018

Winnenden, 2020-06-30



Alexander Krug
Managing Director



Įgaliotas parengti techninius dokumentus.

Techtronic Industries GmbH
Max-Eyth-Straße 10
71364 Winnenden
Germany

AKUMULIATORIAI

Ilgesnį laiką nenaudote keičiamus akumuliatorius prieš naudojimą įkraukite.

Aukštesnė nei 50°C temperatūra mažina keičiamų akumuliatorių galią. Venkite ilgesnio saulės ar šilumos šaltinių poveikio.

Įkroviklio ir keičiamo akumuliatoriaus jungiamieji kontaktai visada turi būti švarūs.

Pasinaudoję prietaisu, visiškai įkraukite akumuliatorių, kad prietaisais veiktų optimaliai ilgai.

Siekiant užtikrinti kuo ilgesnį baterijos tarnavimo laiką, reikėtų ją po atlikto įkrovimo iškart išimti iš įkroviklio.

Bateriją laikant ilgiau nei 30 dienų, būtina atkreipti dėmesį į šias nuorodas: bateriją laikyti sausoje aplinkoje, esant apie 27 °C temperatūrai. Baterijos įkrovimo lygis turi būti nuo 30 % iki 50 %. Baterija pakartotinai turi būti įkraunama kas 6 mėnesius.

APSAUGA NUO AKUMULIATORIAUS PERKROVOS

Akumuliatorių blokas turi apsaugą nuo perkrovos, kuri leidžia išvengti perkrovų ir užtikrina jo eksploatacijos ilgaamžiškumą.

Esant didelėms apkrovoms, akumuliatoriaus elektroninė sistema prietaisą išjungia automatiškai. Kad prietaisais dirbtų toliau, reikia jų išjungti ir vėl įjungti. Jeigu prietaisais neįsijungia, esant galimybei, akumuliatoriaus komplektą reikia iškrauti ir įkroviklyje iš naujo įkrauti.

LIČIO JONŲ AKUMULIATORIŲ PERVEŽIMAS

Ličio jonų akumuliatoriams taikomos įstatyminės nuostatos dėl pavojingų krovinių pervežimų.

Šiuos akumuliatorius pervežti būtina laikantis vietinių, nacionalinių ir tarptautinių direktyvų ir nuostatų.

- Naudotojai šiuos akumuliatorius gali naudoti savo transporte be jokių kitų sąlygų.
- Už komercinį ličio jonų akumuliatorių pervežimą atsako ekspedicijos įmonė pagal nuostatas dėl pavojingų krovinių pervežimo. Pasiruošimo išsiųsti ir pervežimo darbus gali atlikti tik atitinkamai išmokyti asmenys. Visas procesas privalo būti prižiūrimas.

Pervežant akumuliatorius būtina laikytis šių punktų:

- Siekiant išvengti trumpųjų jungimų, įsitikinkite, kad kontaktai yra apsaugoti ir izoliuoti.

102 LIETUVIŠKAI

- Atkreipkite dėmesį, kad akumulatorius pakuotės viduje neslidinėtų.
- Draudžiama pervežti pažeistus arba tekančius akumulatorius.

Dėl detalesnių nurodymų kreipkitės į savo ekspedicijos įmonę.

TECHNINIS APTARNAVIMAS

Įrenginio vėdinimo angos visada turi būti švarios.

Prieš montuodami ar nuimdami pjūklą geležtę, įrankį nuo elektros maitinimo šaltinio būtinai atjunkite.

Sausu skudurėliu nuvalykite prietaisą ir apsauginį įrenginį. Kai kurios valymo priemonės gali pažeisti plastmasę arba kitas izoliuotas detales. Laikykite prietaisą švarų ir sausa, nuvalykite ištekėjusi tepalą ir alyvą. Patikrinkite apsauginio gaubto veikimą. Reguliari techninė priežiūra ir nuolatinis valymas užtikrins ilgą eksploatavimo laiką ir saugų naudojimą.

Naudokite tik „AEG“ priedus ir „AEG“ atsargines dalis. Dalis, kurių keitimas neaprašytas, leidžiama keisti tik „AEG“ klientų aptarnavimo skyriams (žr. garantiją/klientų aptarnavimo skyrių adresus brošiūroje).

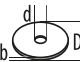
Esant poreikiui, nurodžius mašinos modelį ir šešiaženklį numerį, esantį ant specifikacijų lentelės, klientų aptarnavimo centre arba tiesiogiai „Techtronic Industries GmbH“, Max-Eyth-Str. 10, 71364 Winnenden, Vokietija, galite užsakyti išplėstinį prietaiso brėžinį.

SIMBOLIAI

	DĖMESIO! ĮSPĖJIMAS! PAVOJUS!
	Prieš atlikdami bet kokius darbus įrenginyje, išimkite keičiamą akumuliatorių.
	Prieš pradėdami dirbti su prietaisu, atidžiai perskaitykite jo naudojimo instrukciją.
	Lietojiet aizsardzības cimdus!
	Nešioti klausos apsaugines priemones! Dirbdami su įrenginiu visada nešioti apsauginius akinius.
	Dėvėti tinkamą apsauginę kaukę nuo dulkių.
	Priedas – neįeina į tiekimo komplektaciją, rekomenduojamas papildymas iš priedų asortimento.
	Elektros prietaisų, baterijų/akumuliatorių šalinti kartu su buitinėmis atliekomis negalima. Elektros prietaisus ir akumulatorius reikia surinkti atskirai ir atiduoti perdirbimo įmonei, kad būtų pašalinti aplinkai saugiu būdu. Vietos valdžios institucijose arba specializuotose prekybos vietose pasidomėkite apie perdirbimo ir surinkimo centrus.
	Sukimosi kryptis
	Nominalus sūkių skaičius
	Įtampa
	Nuolatinė srovė

	Europos atitikties ženklas
	Ukrainos atitikties ženklas
	Eurazijos atitikties ženklas

LIETUVIŠKAI 103

Tootmisnumber.....	4774 12 01...
Nimipöörded.....	...000001-999999 20000 min ⁻¹
 D=Torulõikuri ø.....	76 mm
d=puurava ø.....	10 mm
b=Lõikeketta paksus min. / maks.....	1 mm / 2,8 mm
Lõikesügavus maks:.....	16,3 mm
Vahetatava aku pinge.....	18 V
Kaal vastavalt EPTA-protseduurile 01/2014 (2.0...6,0 Ah)	1,2...1,7 kg
Soovituslik ümbritsev temperatuur töötamise ajal.....	-18...+50 °C
Soovituslikud akutüübid.....	L1860R, L1850R, L1840R, L1830R, L1825R, L1820R, L1815R, L1820S
Soovituslik laadija.....	BL1218, BLK1218; AL1218G; AL18G

Müra/vibratsiooni andmed (betooni lõikamine)

Mõõteväärtused on kindlaks tehtud vastavalt normile EN 60745.

Seadme A-filtriga hinnatud helirõhutase on tüüpiliselt

Helirõhutase (Määramatus K=3dB(A))..... 102,0 dB (A)

Helivõimsuse tase (Määramatus K=3dB(A))..... 91,0 dB (A)

Kandke kaitseks kõrvaklappe!

Vibratsiooni koguväärtus (kolme suuna vektorsumma) mõõdetud EN 60745 järgi.

Vibratsiooni emissiooni väärtus $a_{h,SG}$ 4,2 m/s²

Määramatus K=..... 1,5 m/s²

TÄHELEPANU

Antud juhendis toodud võnketase on mõõdetud EN 60745 standardile vastava mõõtesüsteemiga ning seda võib kasutada erinevate elektriseadmete omavahelises võrdlemises. Antud näitaja sobib ka esmaseks võnkekoormuse hindamiseks.

Antud võnketase kehtib elektriseadme kasutamisel sihtotstarbeliselt. Kui elektriseadet kasutatakse muudel otstarvetel, muude tööriistadega või seda ei hooldata piisavalt võib võnketase siintoodust erineda. Eeltoodu võib võnketaset märkimisväärselt tõsta terves töökeskkonnas.

Võnketaseme täpseks hindamiseks tuleks arvestada ka AEG.a, mil seade on välja lülitatud või on küll sisse lülitatud, kuid ei ole otseselt kasutuses. See võib märgatavalt vähendada kogu töökeskkonna võnketaset.

Rakendage spetsiaalseid ettevaatusabinõusid töötajate suhtes, kes puutuvad töö käigus palju kokku vibratsiooniga.

Nendeks abinõudeks võivad olla, näiteks: elektri- ja tööseadmete korraline hooldus, käte soojendamine, töövoo parem organiseerimine.

▲ TÄHELEPANU! Kõik selle elektrilise tööriistaga kaasasolevad ohutusnõuded, juhised, joonised ja spetsifikatsioonid tuleb läbi lugeda. Kõigi allpool loetletud juhiste eiramise tagajärjeks võib olla elektrilööki, tulekahju ja/või rasked vigastused.

Hoidke kõik ohutusnõuded ja juhised edasiseks kasutamiseks hoolikalt alles.

▲ KETASSAAGIDE OHUTUSJUHISED

a) Elektritööriista juurde kuuluv kaitsekate peab olema kindlalt paigaldatud ja nii seadistatud, et saavutatakse kõrgeim ohutusmäär, st operaatori poole on avatud lihvkeha väiksem võimalik osa. Hoidke ise ja läheduses viibivad inimesed väljaspool pöörleva lihvketta tasandit. Kaitsekatte ülesandeks on kaitsta operaatorit murdetükide ja juhusliku lihvkehaga kokkupuute eest.

b) Kasutage elektritööriista eranditult sidekoega tugevdatud või teemantidega varustatud lõikekettaid. Ainult see, et Te saate tarviku oma elektritööriistale kinnitada, ei garanteeri veel ohutut kasutamist.

c) Instrumenti lubatud pöörete arv peab olema vähemalt sama suur kui elektritööriistal märgitud maksimum pöörete arv. Tarvikud, mis pöörlevad lubatust kiiremini, võivad murruda ja lendu paiskuda.

d) Lihvimistarvikuid tohib kasutada üksnes soovitatud kasutusotstarvetel. Näiteks: Ärge kunagi kasutage lihvimiseks lõikeketta külgpinda. Lõikekettad on ette nähtud materjali lõikamiseks ketta servaga. Külgsuunas rakendatavate jõudude toimel võivad need kettad puruneda.

e) Kasutage alati tervet ja valitud lõikekettaga suuruselt sobivat kinnitusaariikut. Õigesti valitud aariikut toetavad lõikekettast ning vähendavad ketta purunemise riski.

f) Ärge kasutage suuremate elektriliste tööriistade kulunud lihvkettaid. Suuremate elektriliste tööriistade lihvketad ei ole ette nähtud kasutamiseks väiksemate seadmete kõrgematel pööretel ja võivad puruneda.

g) Kasutatava instrumendi välisdiameeter ja paksus peavad vastama elektritööriista etteantud mõõtudele. Vale mõõduga instrumente ei ole võimalik kaitsevadestega piisavalt turvata ja kontrollida.

h) Lihvkettad ja aariikud peavad täpselt Teie elektritööriista lihvspindlile sobima. Rakendustööriistad, mis sobi täpselt elektritööriista lihvspindlile, pöörlevad ebaühtlaselt, vibreerivad väga tugevasti ja võivad põhjustada kontrolli kaotamise.

i) Ärge kasutage kahjustunud lihvkettaid. Kontrollige iga kord enne kasutamist lihvkettaid eraldunud kildude ja pragude suhtes. Kui elektritööriist või lihvketas kukub maha, siis kontrollige seda kahjustumise suhtes või kasutage kahjustamata lihvketast. Kui olete lihvketta üle kontrollinud ja paigaldanud, siis hoidke ise ning läheduses viibivad inimesed väljaspool pöörleva lihvketta tasandit ja laske seadmel üks minut suurimatel pööretel töötada. Kahjustatud lihvketad purunevad enamasti selle testimisaja jooksul.

j) Kandke isikukaitsevahendeid. Kasutage vastavalt kasutusotstarbele näomaski, silmakaitset või kaitseprille. Vajaduse korral kandke tolmuaitsemaski, kuulmiskaitsevahendeid, kaitsekindaid või kaitsepõlle, mis kaitseb Teid lihvimisel eralduvate väikeste osakeste eest. Silmad peavad olema kaitstud seadme kasutamisel eralduvate võõrkehade eest. Tolmu- või hingamisteede kaitsemaskid peavad filtreerima kasutamisel tekkinud tolmu. Pikaajaline vali müra võib kahjustada kuulmist.

k) Jälgige, et teised inimesed oleksid teie tööpiirkonnast ohutus kauguses. Kõik tööpiirkonda tulevad

isikud peavad kandma isiklikke kaitsevahendeid. Töödeldava materjali või puruneva instrumendi kiilud võivad paiskuda eemale ja tekitada vigastusi ka väljaspool otsest tööpiirkonda.

l) Selliste toimingute tegemisel, kus lõiketarvik võib puutuda kokku varjatud juhtmetega, hoidke elektritööriista ainult selle isoleeritud pidemetest. Lõiketarviku kokkupuude pingestatud juhtmega võib pingestada ka elektritööriista isoleerimata metallosad, mille tagajärjel võib tööriista kasutaja saada elektrilöögi.

m) Ärge pange seadet kunagi enne käest, kui instrument on täielikult seisma jäänud. Veel pöörlev instrument võib puutuda vastu pinda, millele te seadme asetate, ning te võite elektritööriista üle kontrolli kaotada.

n) Seadme transportimise ajal ärge laske seadmel töötada. Teie rõivad võivad pöörleva tarvikuga juhuslikult kokku puutuda ning tarvik võib tungida Teie kehasse.

o) Puhastage regulaarselt seadme ventilatsiooniva-sid. Mootori ventilator tõmbab tolm korpusesse, kuhju metallitolm võib põhjustada elektrilisi ohte.

p) Ärge kasutage instrumente, mille jaoks on vaja jahu-tusvedelikke. Vee või muude vedelate jahutusvahendite kasutamine võib põhjustada elektrilöögi.

Edasised ohutusjuhised lihvimisrakendusteks

Tagasilöök ja sellega seonduvad ohutusnõuded

Tagasilöök on äkiline reaktsioon pöörleva lihvketta haakumise või blokeerumise tagajärjel. Haakumine või blokeerumine põhjustab pöörleva rakendustööriista järsu peatumise. Seeläbi paisatakse kontrollimatu elektritööriist blokeerimiskohast rakendustööriista põrlemissuunale vastupidisesse suunda.

Kui näiteks lihvketas toorikus kinni kiildub, võib tagajärjeks olla tagasilöök või lihvketta murdumine. Lihvketas liigub sõltuvalt ketta põrlemissuunast kas seadme kasutaja poole või kasutajast eemal. Seejuures võivad lihvkettad ka murduda.

Tagasilöök on seadme ebaõige kasutamise või valede töövõtete tagajärg. Seda saab vältida, rakendades järgnevalt kirjeldatud sobivaid ettevaatusabinõusid.

a) Hoidke seadet tugevasti kinni ja viige oma keha ja käed asendisse, milles saate tagasilöögiõududele vastu astuda. Suurima kontrolli saavutamiseks tagasilöögiõudude või reaktsioonimomentide üle kasutage alati lisakäepidet, kui see on olemas. Seadme kasutaja suudab sobivaid ettevaatusabinõusid rakendades tagasilöögi- ja reaktsioonijõudusid kontrollida.

b) Ärge viige oma kätt kunagi pöörlevate tarvikute lähedusse. Tagasilöögi puhul võib tarvik liikuda üle Teie käe.

c) Vältige pöörleva lõikeketta ees ja taga asuvat piirkonda. Tagasilöök tõukab elektritööriista blokeerimiskohas lihvketta liikumisele vastupidises suunas.

d) Eriti ettevaatlikult töötage nurkade, teravate servade jmt piirkonnas. Hoidke ära tarvikute tagasipõrkumine toorikult ja kinnikiildumist. Pöörlev tarvik kaldub nurkades, teravates servades ja tagasipõrkumise korral kinni kiilduma. See põhjustab kontrolli kaotuse seadme üle või tagasilöögi.

e) Ärge kasutage kett- ega hammastatud saeketast, samuti üle 10 mm laiuste lõhikutega segmenteeritud teemantketast. Sellised rakendustööriistad põhjustavad sageli tagasilööki või kontrolli kaotamist elektritööriista üle.

f) Vältige lõikeketta kinnikiildumist või liiga suurt rakendatavat survet. Ärge tehke liiga sügavaid lõikeid. Lõikeketta ülekormamine suurendab selle kormust ja kalduvust kinnikiildumisele ning sellega tagasilöögi või lihvketta purunemise ohtu.

g) Kui lõikeketas kinni kiildub või kui Te töö katkete, lülitage seade välja ja hoidke seda paigal, kuni ketas on täielikult seiskunud. Ärge kunagi püüdke

veel pöörlevat lõikeketast lõikejoonest välja tõmmata, vastasel korral võib tekkida tagasilöök. Tehke kindlaks kinnikiildumise põhjus ja kõrvaldage see.

h) Ärge lülitage seadet sisse seni, kuni see on veel toorikus. Laske lõikekettal kõigepealt saavutada maksimaalpöörded, enne kui lõiget ettevaatlikult jätkate. Vastasel korral võib ketas kinni kiilduda, toorikust välja hüpata või tagasilöögi põhjustada.

i) Toestage plaadid või suured toorikud, et vähendada kinnikiildunud lõikekettast tingitud tagasilöögi ohtu. Suured toorikud võivad omaenda kaalu tõttu läbi painduda. Toorik peab olema toetatud mõlemalt poolt, nii lõikejoone lähedalt kui ka servast.

j) Olge eriti ettevaatlikult uputusõigete tegemisel seintesse või teistesse varjatud objektidesse. Uputatav lõikeketas võib gaasi- või veetorude, elektrijuhtmete või teiste objektide tabamisel põhjustada tagasilöögi.

EDASISED OHUTUS- JA TÖÖJUHISED

Instrumendi lubatud pöörete arv peab olema vähemalt sama suur kui elektritööriistal märgitud maksimaalne pöörete arv.

Tarvikud, mis pöörlevad lubatud kiiremini, võivad murduda ja lendu paiskuda.

Kasutada kaitsevarustust. Masinaga töötamisel kanda alati kaitseprille. Kaitseriietusena soovitakse kasutada tolmumaski kaitsekindaid, kinniseid ja libisemisvastase tallaga jalanõusid, kiivrit ja kuulmisteede kaitset.

Töö ajal tekkiv tolm on sageli tervistkahjustav ning ei tohiks sattuda organismi. Kanda sobivat kaitsemaski.

Töödelda ei tohi materjale, millest lähtub oht tervisele (nt asbest).

Palun lülitage seade rakendustööriista blokeerumise korral kohe välja! Ärge lülitage seadet sisse tagasi, kuni rakendustööriist on blokeeritud; seejuures võib kõrge reaktsioonimomendiga tagasilöök tekkida. Tehke ohutusjuhiseid arvesse võttes kindlaks ja kõrvaldage rakendustööriista blokeerumise põhjus.

Selle võimalike põhjusteks võivad olla:

- viltu asetumine töödeldavas toorikus
- töödeldava materjali läbimurdumine
- elektritööriista ülekormamine

Ärge sisestage jäsemeid töötavasse masinasse.

Rakendustööriist võib kasutamise ajal kuumaks minna.

- tööriista vahetamisel
- seadme ärapanemisel

Seina, lae või põrandat tööde puhul pidage silmas elektrijuhtmeid, gaasi- ja veetorusid.

Enne kõiki töid masina kallal võtke vahetatav aku välja.

Ärge visake tarvitatud vahetatavaid akusid tulle ega olmeprügisse. AEG pakub vanade akude keskkonnahoidlikku käitlust; palun küsige oma erialaselt tarnijalt.

Ärge säilitage vahetatavaid akusid koos metalliesemetega (lühiseoht).

Laadige süsteemi GBS vahetatavaid akusid ainult süsteemi GBS laadijatega. Ärge laadige nendega teiste süsteemide akusid.

Ärge avage vahetatavaid akusid ega laadijaid ning ladustage neid ainult kuivades ruumides. Kaitske niiskuse eest.

Äärmuslikul koormusel või äärmuslikul temperatuuril võib kahjustatud vahetatavast akust akuvedelik välja voolata. Akuvedelikuga kokkupuutumise korral peske kohe vee ja seebiga. Silma sattumise korral loputage kiiresti põhjalikult vähemalt 10 minutit ning pöörduge viivitamatult arsti poole.

Hoiatus! Lühisest põhjustatud tuleohtu, vigastuste või toote kahjustuste vältimiseks ärge kastke tööriista, vahetusakut ega laadimisseadet vedelikku ning jälgige, et vedelikke ei

tungiks seadmetesse ega akusse. Korrodeeruvad või elektrit juhtivad vedelikud, nagu soolvesi, teatud kemikaalid ja pleegitusained või pleegitusained sisaldavad tooted, võivad põhjustada lühist.

KASUTAMINE VASTAVALT OTSTARBELE

Seda lõikeseadet on ette nähtud erinevate materjalide lõikamiseks.

Antud seadet tohib kasutada ainult vastavalt äranäidatud otstarbele.

Vigastusteohu vähendamiseks kasutage ainult tüüpi 1 lihvi- ja teemantkettaid, mille paksumus on kuni 2,8 mm ja maksimaalne ohutu nimitöökiirus vähemalt 20 000 pööret minutis⁻¹. Tüüpi 1 lihvkettad sobivad ainult külglühvimiseks. Need ei sobi pindlühvimiseks. Järgige kõiki abrasiivlõikekettaga kaasa tulevaid ohutusjuhiseid.

Kasutage sobiva lihvketta valimiseks allolevat tabelit. Erineva materjali puhul tuleb kasutada erinevaid lihvkettaid. Järgige lihvkettatootja kasutusjuhiseid.

Ketta tüüp	Lühvimiseks sobivad materjalid
Karbiidlihvkettad	Kipsplaat, plast
Abrasiivlõikekettad	Teras, roostevaba teras, mitteraudmetallid
Teemantlihvkettad	Keraamilised plaadid, betoon, telliskivi, keraamilised materjalid, kiudsement

ÜLEKOORMUSKAITSE

mootori suure ülekoormuse korral lülitub sisse ülekoormuskaitse. Töö jätkamiseks lülitada masin välja ning seejärel uuesti sisse.

EÜ VASTAVUSAVALDUS

Me deklareerime ainuisikuliselt vastutades, et lõigus „Tehnilised andmed“ kirjeldatud toode vastab direktiivide 2011/65/EU (RoHS), 2014/30/EU, 2006/42/EU kõigile olulisele tähtsusega eeskirjadele ning järgmistele harmoniseeritud normatiivsetele dokumentidele:

EN 60745-1:2009+A11:2010
EN 60745-2-22:2011+A11:2013
EN 55014-1:2017+A11:2020
EN 55014-2:2015
EN IEC 63000:2018

Winnenden, 2020-06-30


Alexander Krug
Managing Director



On volitatud koostama tehnilist dokumentatsiooni.

Techtronic Industries GmbH
Max-Eyth-Straße 10
71364 Winnenden
Germany

AKUD

Pikemat AEG-a mittekasutatud akusid laadige veel enne kasutamist.

Temperatuur üle 50 °C vähendab vahetatava aku töövoimet. Vältige pikemat soojenemist päikese või kütteseadme mõjul.

Hoidke laadija ja vahetatava aku ühenduskontaktid puhtad.

Patreide optimaalse eluea tagamiseks, pärast kasutamist täielikult lae pateride plokki.

Akud tuleks võimalikult pika kasutusea saavutamiseks pärast täislaadimist laadijast välja võtta.

Aku ladustamisel üle 30 päeva:

Ladustage akut kuivas kohas u 27°C juures.

Ladustage akut u 30-50% laetusseisundis.

Laadige aku iga 6 kuu tagant täis.

AKU KOORMUSKAITSE

Akuplokk on varustatud koormuskaitsega, mis kaitseb akut üleilgse koormuse eest ning kindlustab selle pika eluea. Äärmiselt suurest koormusest annab märku vilkuv töötlüht. Kui koormust ei vähendata, siis lülitab masin ennast automaatselt välja. Edasi töötamiseks tuleb masin välja ja uuesti sisse lülitada. Kui masin ei lähe uuesti tööle on akuplokk nähtavasti tühi ja tuleks laadimiseseadmega uuesti täis laadida.

LIITIUMIOONAKUDE TRANSPORTIMINE

Liitiumioonakud on allutatud ohtlike ainete transportimisega seonduvatele õigusaktidele.

Nende akude transportimine peab toimuma kohalikest, siseriiklikest ja rahvusvahelistest eeskirjadest ning määrustest kinni pidades.

- Tarbijad tohivad neid akusid edasiste piiranguteta tänaval transportida.
- Liitiumioonakude komertstransport ekspedeerimisettevõtete kaudu on allutatud ohtlike ainete transportimisega seonduvatele õigusaktidele. Tarneettevalmistusi ja transporti tohivad teostada eranditult vastavalt koolitatud isikud. Kogu protsessi tuleb asjatundlikult jälgida.

Akude transportimisel tuleb järgida järgmisi punkte:

- Tehke kindlaks, et kontaktid on lühiste vältimiseks kaitsitud ja isoleeritud.
- Pöörake tähelepanu sellele, et akupakk ei saaks pakendis nihkuda.
- Kahjustatud või välja voolanud akusid ei tohi kasutada.

Pöörduge edasiste juhiste saamiseks ekspedeerimisettevõtte poole.

HOOLDUS

Hoidke masina õhutuspilud alati puhtad.

Enne saeketta kinnitamist või eemaldamist veenduge, et sae toide on lahti ühendatud.


Puhastage seadet ja kaitseeadist kuiva lapiga. Osad puhastusvahendid kahjustavad plastmassi või muid isoleeritud detaile. Hoidke seade puhas ja kuiv ning eemaldage väljatunginud õli ja määre. Kontrollige kaitsekatte talitlust. Regulaarne hooldus ja puhastamine tagavad pika eluea ning ohutu käsitemise.

Kasutage ainult AEG tarvikuid ja AEG tagavaraosi. Detailid, mille väljavahetamist pole kirjeldatud, laske välja vahetada AEG klienditeeninduspunktis (vaadake brošüüri garantii / klienditeeninduste aadressid).

Vajadusel saab nõuda seadme plahvatusjoonise võimsussildil oleva masinatüübi ja kuuekohalise numbril alusel klienditeeninduspunktist või vahetult firmalt Techtronic Industries GmbH, Max-Eyth-Straße 10, 71364 Winnenden, Germany.

SÜMBOLID

	ETTEVAATUST! TÄHELEPANU! OHUD!
	Enne kõiki töid masina kallal võtke vahetatav aku välja.
	Palun lugege enne käikulaskmist kasutusjuhend hoolikalt läbi.
	Kanda kaitsekindaid!
	Kandke kaitseks kõrvaklappe! Masinaga töötades kandke alati kaitseprille. Kanda sobivat kaitsemaski.
	Tarvikud - ei kuulu tarne komplekti, soovitatav täiendus on saadaval tarvikute programmis.
	Elektriseadmeid, patareisid/akusid ei tohi utiliseerida koos majapidamisprügiga. Elektriseadmed ja akud tuleb eraldi kokku koguda ning kõrvaldada keskkonnasõbralikul moel töötlemiskeskusesse. Küsi info jäätmekäitlusjaamade ja kogumispunktide kohta oma kohalike ametnike või edasimüüja käest.
	Pöörlemissuund
	Nimipöörded
	Pinge
	Alalisvool
	Euroopa vastavusmärk
	Ukraina vastavusmärk
	Euraasia vastavusmärk

Серийный номер изделия	4774 12 01...
Номинальное число оборотов000001-999999 20000 min ⁻¹
 D=Диаметр отрезного круга.....	76 mm
d=Диаметр отверстия	10 mm
b=Толщина отрезного круга мин. / макс.....	1 mm / 2,8 mm
Макс. глубина резки.....	16,3 mm
Вольтаж аккумулятора.....	18 V
Вес согласно процедуре ЕРТА 01/2014 (2,0...6,0 Ah)	1,2...1,7 kg
Рекомендованная температура окружающей среды во время работы.....	-18...+50 °C
Рекомендованные типы аккумуляторных блоков.....	L1860R, L1850R, L1840R, L1830R, L1825R, L1820R, L1815R, L1820S
Рекомендованные зарядные устройства	BL1218, BLK1218; AL1218G; AL18G

Информация по шумам/вибрации (резка бетона)

Значения замерялись в соответствии со стандартом EN 60 745. Обычное низкочастотное звуковое давление, производимое инструментом, составляет

Уровень звукового давления (Небезопасность K=3dB(A))	102,0 dB (A)
Уровень звуковой мощности (Небезопасность K=3dB(A))	91,0 dB (A)

Пользуйтесь приспособлениями для защиты слуха.

Общие значения вибрации (векторная сумма трех направлений) определены в соответствии с EN 60745.

Значение вибрационной эмиссии a _{h,SG}	4,2 m/s ²
Небезопасность K=	1,5 m/s ²

ВНИМАНИЕ

Указанный в настоящем руководстве уровень вибрации измерен в соответствии с технологией измерения, установленной стандартом EN 60745 и может использоваться для сравнения электроинструментов друг с другом. Он также подходит для предварительной оценки вибрационной нагрузки.

Указанный уровень вибрации представляет основные виды использования электроинструмента. Но если электроинструмент используется для других целей, используемый инструмент отклоняется от указанного или техническое обслуживание было недостаточным, то уровень вибрации может отклоняться от указанного. В этом случае вибрационная нагрузка в течение всего периода работы значительно увеличивается.

Для точной оценки вибрационной нагрузки необходимо также учитывать время, в течение которого прибор отключен или включен, но фактически не используется. В этом случае вибрационная нагрузка в течение всего периода работы существенно уменьшится.

Установите дополнительные меры безопасности для защиты пользователя от воздействия вибрации, например: техническое обслуживание электроинструмента и используемого инструмента, поддержание рук в теплом состоянии, организация рабочих процессов.

▲ ВНИМАНИЕ! Ознакомьтесь со всеми предупреждениями относительно безопасного использования, инструкциями, иллюстративным материалом и техническими характеристиками, поставляемыми с этим электроинструментом. Несоблюдение всех нижеприведенных инструкций может привести к поражению электрическим током, пожару и/или тяжелым травмам.
Сохраняйте эти инструкции и указания для будущего использования.

▲ УКАЗАНИЯ ПО БЕЗОПАСНОСТИ ДЛЯ ЦИРКУЛЯРНЫХ ПИЛ

- a) Защитный кожух электроинструмента следует безопасно надеть и таким образом отрегулировать, чтобы обеспечить максимальную безопасность, т.е. так, чтобы со стороны пользователя открытой осталась минимально возможная часть шлифовального круга. Вам и находящимся поблизости людям необходимо держаться за пределами плоскости вращающегося шлифовального круга. Защитный кожух служит для защиты пользователя от обломков и случайного контакта со шлифовальным кругом.
- b) Используйте для вашего электроинструмента исключительно закрепленные усиленные или алмазные отрезные диски. Возможность закрепления принадлежности на вашем электроинструменте не гарантирует безопасность использования.
- c) Допустимое число оборотов используемого инструмента должно быть как минимум таким же, как и максимальное число оборотов, указанное на

электроинструменте. Комплектующие, которые вращаются быстрее допустимой скорости, могут сломаться и отлететь.

d) Абразивные инструменты допускается применять только для рекомендуемых работ. Например: никогда не шлифуйте боковой поверхностью отрезного круга. Отрезные круги предназначены для съема материала кромкой. Боковые силы на этот абразивный инструмент могут сломать его.

e) Всегда используйте для выбранного Вами отрезного диска неповрежденные зажимные фланцы соответствующего размера. Правильно выбранные фланцы поддерживают отрезной диск и, таким образом, уменьшают опасность его разрушения.

f) Не применяйте изношенные шлифовальные круги больших электроинструментов. Шлифовальные круги для больших электроинструментов изготовлены не для высоких скоростей вращения маленьких электроинструментов и их может разорвать.

g) Внешний диаметр и толщина инструментальной насадки должны соответствовать размеру Вашего электрического инструмента. Неправильно выбранные инструментальные насадки не могут в достаточной мере закрываться или контролироваться.

h) Шлифовальные круги и фланцы должны точно подходить к шлифовальному шпинделю вашего электроинструмента. Используемые инструменты, которые неточно подходят к шлифовальному шпинделю электроинструмента, вращаются неравномерно, очень сильно вибрируют и могут привести к потере контроля.

108 РУССКИЙ

i) Не используйте поврежденные шлифовальные круги. Перед каждым применением проверяйте шлифовальные круги на наличие сколов и трещин. При падении электроинструмента или шлифовального круга проверьте их на наличие повреждений или используйте неповрежденный шлифовальный круг. Если вы проверили и установили шлифовальный круг, то вам и находящимся поблизости людям необходимо держаться за пределами плоскости вращающегося шлифовального круга и проверить прибор в течение минуты на максимальной скорости вращения. Поврежденные шлифовальные круги разрушаются, как правило, в течение данного контрольного времени.

j) Применяйте средства индивидуальной защиты. В зависимости от выполняемой работы применяйте защитный щиток для лица, защитное средство для глаз или защитные очки. Насколько уместно, применяйте противовылевой респиратор, средства защиты органов слуха, защитные перчатки или специальный фартук, которые защищают Вас от абразивных частиц и части материала. Глаза должны быть защищены от летающих в воздухе посторонних тел, которые возникают при выполнении различных работ. Противовылевой респиратор или защитная маска органов дыхания должны задерживать возникающую при работе пыль. Продолжительное воздействие сильного шума может привести к потере слуха.

k) Следите за тем, чтобы иные лица находились на безопасном расстоянии от Вашего рабочего места. Каждый входящий в рабочую зону должен пользоваться средствами защиты. Отлетающие обломки обрабатываемой детали или инструментальных насадок могут нанести травму и за пределами рабочей зоны.

l) Во время работ, при которых шлифовальная насадка может соприкоснуться со скрытыми токонесущими проводами, брать электрический инструмент можно только за изолированные поверхности ручек. При контакте с токопроводящими кабелями проводить ток могут и металлические детали электроинструмента, в результате чего возможно поражение оператора электрическим током.

m) Никогда не кладите электрический инструмент до тех пор, пока инструментальная насадка полностью не остановится. Вращающаяся насадка может коснуться поверхности, на которую Вы кладёте электрический инструмент, вследствие чего Вы можете потерять над ним контроль.

n) Выключайте электроинструмент при транспортировании. Ваша одежда может быть случайно захвачена вращающимся рабочим инструментом и последний может нанести Вам травму.

o) Регулярно очищайте вентиляционные прорези Вашего электроинструмента. Вентилятор двигателя затягивает пыль в корпус и большое скопление металлической пыли может привести к электрической опасности.

p) Не пользуйтесь инструментальными насадками, требующими применения жидких охлаждающих средств. Использование воды или иных жидких охлаждающих средств может привести к поражению электрическим током.

Прочие указания по безопасности при работе с абразивно-отрезными станками

Отдача и соответствующие указания по технике безопасности:

Отдача – это внезапная реакция вследствие заедания или блокирования вращающегося шлифовального круга. Заедание или блокирование приводят к резкому останову используемого вращающегося инструмента. В результате этого неконтролируемый электроинструмент ускоряется против направления вращения используемого инструмента в месте блокирования.

Если шлифовальный круг заедает или блокирует в заготовке, то погруженная в заготовку кромка шлифовального круга может быть зажата и в результате привести к выскакиванию

круга из заготовки или к обратному удару. При этом шлифовальный круг движется на оператора или от него, в зависимости от направления вращения круга на месте блокирования. При этом шлифовальный круг может поломаться.

Обратный удар является следствием неправильного использования электроинструмента или ошибки оператора. Он может быть предотвращен описанными ниже мерами предосторожности.

a) Крепко держите электроинструмент и займите Вашим телом и руками положение, в котором Вы можете противодействовать обратным силам. При наличии, всегда применяйте дополнительную рукоятку, чтобы как можно лучше противодействовать обратным силам или реакционным моментам при наборе оборотов. Оператор может подходящими мерами предосторожности противодействовать силам обратного удара и реакционным силам.

b) Ваша рука никогда не должна быть вблизи вращающегося рабочего инструмента. При обратном ударе рабочий инструмент может пойти по Вашей руке.

c) Избегайте пребывания в зоне перед вращающимся отрезным диском и за ним. Отдача побуждает электроинструмент двигаться в направлении, противоположном движению шлифовального круга в месте блокирования.

d) Особенно осторожно работайте на углах, острых кромках и т.д. Предотвращайте отскок рабочего инструмента от заготовки и его заклинивание. Вращающийся рабочий инструмент склонен на углах, острых кромках и при отскоке к заклиниванию. Это вызывает потерю контроля или обратный удар.

e) Не используйте цепное или зубчатое полотно, а также сегментированный алмазный диск с прорезями шириной более 10 мм. Использование таких инструментов часто вызывает отдачу и потерю контроля над электроинструментом.

f) Предотвращайте блокирование отрезного круга и повышенное усилие прижатия. Не выполняйте слишком глубоких резов. Перегрузка отрезного круга повышает его нагрузку и склонность к перекашиванию или блокированию и этим возможно обратного удара или поломки абразивного инструмента.

g) При заклинивании отрезного круга и при перерыве в работе выключайте электроинструмент и держите его спокойно, неподвижно до останова круга. Никогда не пытайтесь вынуть еще вращающийся отрезной круг из реза, так как это может привести к обратному удару. Установите и устраните причину заклинивания.

h) Не включайте повторно электроинструмент пока абразивный инструмент находится в заготовке. Дайте отрезному кругу развить полное число оборотов, перед тем как Вы осторожно продолжите резание. В противном случае круг может заест, он может выскочить из детали и привести к обратному удару.

i) Плиты или большие заготовки должны надежно лежать на опоре, чтобы снизить опасность обратного удара при заклинивании отрезного круга. Большие заготовки могут прогибаться под собственным весом. Заготовка должна лежать на опорах с обеих сторон, как вблизи реза, так и по краям.

j) Будьте особенно осторожны при выполнении резов с «погружением» в стены или на других не просматриваемых участках. Погружающийся отрезной круг может при резании газопровода или водопровода, электрических проводов или других объектов привести к обратному удару.

ДОПОЛНИТЕЛЬНЫЕ УКАЗАНИЯ ПО БЕЗОПАСНОСТИ И РАБОТЕ

Допустимое число оборотов используемого инструмента должно быть как минимум таким же, как и максимальное число оборотов, указанное на электроинструменте.

Комплекующие, которые вращаются быстрее допустимой скорости, могут сломаться и отлететь.

Пользоваться средствами защиты. Работать с инструментом всегда в защитных очках. Рекомендуется спецодежда: пылезащитная маска, защитные перчатки, прочная и нескользящая обувь, каска и наушники.

Пыль, возникающая при работе данным инструментом, может нанести вред здоровью. Не следует допускать её попадания в организм. Надевайте противопылевой респиратор.

Запрещается обрабатывать материалы, которые могут нанести вред здоровью (напр., асбест).

При блокировании используемого инструмента немедленно выключить прибор! Не включайте прибор до тех пор, пока используемый инструмент заблокирован, в противном случае может возникнуть отдача с высоким реактивным моментом. Определите и устраните причину блокирования используемого инструмента с учетом указаний по безопасности.

Возможными причинами могут быть:

- перекус заготовки, подлежащей обработке
- разрушение материала, подлежащего обработке
- перегрузка электроинструмента

Не прикасаться к работающему станку.

Используемый инструмент может нагреваться во время применения.

- при смене инструмента
- при укладывании прибора

При работе в стенах, потолках или полу следите за тем, чтобы не повредить электрические кабели или водопроводные трубы.

Выньте аккумулятор из машины перед проведением с ней каких-либо манипуляций.

Не выбрасывайте использованные аккумуляторы вместе с домашним мусором и не сжигайте их.

Дистрибьюторы компании AEG предлагают восстановление старых аккумуляторов, чтобы защитить окружающую среду.

Не храните аккумуляторы вместе с металлическими предметами во избежание короткого замыкания.

Для зарядки аккумуляторов модели GBS используйте только зарядным устройством GBS. Не заряжайте аккумуляторы других систем.

Никогда не вскрывайте аккумуляторы или зарядные устройства и храните их только в сухих помещениях. Следите, чтобы они всегда были сухими.

Аккумуляторная батарея может быть повреждена и дать течь под воздействием чрезмерных температур или повышенной нагрузки. В случае контакта с аккумуляторной кислотой немедленно промойте место контакта мылом и водой. В случае попадания кислоты в глаза промывайте глаза в течении 10 минут и немедленно обратитесь за медицинской помощью.

Предупреждение! Для предотвращения опасности пожара в результате короткого замыкания, травм и повреждения изделия не опускайте инструмент, сменный аккумулятор или зарядное устройство в жидкости и не допускайте попадания жидкостей внутрь устройств или аккумуляторов. Коррозионные и проводящие жидкости, такие как соленый раствор, определенные химикаты, отбеливающие средства или содержащие их продукты, могут привести к короткому замыканию.

ИСПОЛЬЗОВАНИЕ

Этот отрезной инструмент предназначен для обрезки различных материалов.

Не пользуйтесь данным инструментом способом, отличным от указанного для нормального применения.

Чтобы свести к минимуму риск получения травмы, используйте только алмазные шлифовальные круги первого типа с максимальной толщиной 2,8 мм, которые обеспечивают безопасную работу с минимальной скоростью 20 000 об/мин. Шлифовальные круги первого типа подходят только для бокового шлифования и не подходят для торцевого шлифования. Соблюдайте все указания по технике безопасности, прилагаемые к отрезным шлифовальным кругам.

Для выбора подходящего шлифовального круга воспользуйтесь приведенной ниже информацией. В зависимости от материала следует использовать различные шлифовальные круги. Соблюдайте указания по применению производителя шлифовальных кругов.

Тип круга	Материал шлифования
Карбидный шлифовальный круг	гипсокартон, пластмасса
Отрезной шлифовальный круг	сталь, нержавеющая сталь, неметаллосодержащие материалы
Алмазный шлифовальный круг	плитка, бетон, кирпич, керамика, волокнистый цемент

ЗАЩИТА ОТ ПЕРЕГРУЗКИ

При высоких перегрузках двигателя срабатывает защита от перегрузок. Для дальнейшей работы необходимо выключить и снова включить машину.

ДЕКЛАРАЦИЯ О СООТВЕТСТВИИ СТАНДАРТАМ ЕС

Мы заявляем под собственную ответственность, что изделие, описанное в разделе „Технические характеристики“, соответствует всем важным предписаниям Директивы 2011/65/EU (Директива об ограничении применения опасных веществ в электрических и электронных приборах), 2014/30/EU, 2006/42/ЕС и приведенным далее гармонизированным нормативным документам:

EN 60745-1:2009+A11:2010
EN 60745-2-22:2011+A11:2013
EN 55014-1:2017+A11:2020
EN 55014-2:2015
EN IEC 63000:2018

Winnenden, 2020-06-30



Alexander Krug
Managing Director



Уполномочен на составление технической документации.

Techtronic Industries GmbH
Max-Eyth-Straße 10
71364 Winnenden
Germany

АККУМУЛЯТОР

Перед использованием аккумулятора, которым не пользовались некоторое время, его необходимо зарядить.

110 РУССКИЙ

Температура свыше 50°C снижает работоспособность аккумуляторов. Избегайте продолжительного нагрева или прямого солнечного света (риск перегрева).

Контакты зарядного устройства и аккумуляторов должны содержаться в чистоте.

Для обеспечения оптимального срока службы аккумулятор необходимо полностью заряжать после использования прибора.

Для достижения максимального возможного срока службы аккумуляторы после зарядки следует вынимать из зарядного устройства.

При хранении аккумулятора более 30 дней:

Храните аккумулятор при 27°C в сухом месте. Храните аккумулятор с зарядом примерно 30% - 50%. Каждые 6 месяцев аккумулятор следует заряжать.

ЗАЩИТА АККУМУЛЯТОРА ОТ ПЕРЕГРУЗКИ

Аккумуляторный блок оснащен предохранителем от перегрузки, который защищает аккумулятор от перегрузки и обеспечивает долгий срок службы.

При чрезмерно сильных нагрузках электроника аккумулятора автоматически отключит машину. Для продолжения работы машину выключить и снова включить. Если машина не включается, то, возможно, разрядился аккумуляторный блок и следует зарядить его в зарядном устройстве.

ТРАНСПОРТИРОВКА ЛИТИЙ-ИОННЫХ АККУМУЛЯТОРОВ

Литий-ионные аккумуляторы в соответствии с предписаниями закона транспортируются как опасные грузы.

Транспортировка этих аккумуляторов должна осуществляться с соблюдением местных, национальных и международных предписаний и положений.

- Эти аккумуляторы могут перевозиться по улице потребителем без дальнейших обязательств.
- При коммерческой транспортировке литий-ионных аккумуляторов экспедиторскими компаниями действуют положения, касающиеся транспортировки опасных грузов. Подготовка к отправке и транспортировка должны производиться исключительно специально обученными лицами. Весь процесс должен находиться под контролем специалиста.

При транспортировке аккумуляторов необходимо соблюдать следующие пункты:

- Убедитесь, что контакты защищены и изолированы во избежание короткого замыкания.
- Следите за тем, чтобы аккумуляторный блок не соскользнул внутри упаковки.
- Транспортировка поврежденных или протекающих аккумуляторов запрещена.

За дополнительными указаниями обратитесь к своему экспедитору.

ОБСЛУЖИВАНИЕ

Всегда держите охлаждающие отверстия чистыми.

Отключите инструмент от питающей сети перед установкой или снятием режущего полотна.

Очищать прибор и защитное устройство с помощью сухой салфетки. Некоторые чистящие средства могут повредить пластмассу или другие изолированные части. Содержать прибор в чистоте и в сухом виде, а также следить, чтобы не выступала масло и смазка. Проверить функционирование защитных кожухов. Регулярное техобслуживание и очистка обеспечат продолжительный срок службы и безопасное обращение.

Пользуйтесь аксессуарами и запасными частями AEG. В случае возникновения необходимости в замене, которая не была описана, обращайтесь в один из сервисных центров по обслуживанию электроинструментов AEG (см. список сервисных организаций).

При необходимости, у сервисной службы или непосредственно у фирмы Techtronic Industries GmbH, Max-Eyth-Straße 10, 71364, Винненден, Германия, можно запросить сборочный чертеж устройства, сообщив его тип и шестизначный номер, указанный на фирменной табличке.

СИМВОЛЫ



ВНИМАНИЕ! ПРЕДУПРЕЖДЕНИЕ! ОПАСНОСТЬ!



Выньте аккумулятор из машины перед проведением с ней каких-либо манипуляций.



Пожалуйста, внимательно прочтите инструкцию по использованию перед началом любых операций с инструментом.



Надевать защитные перчатки!



Пользуйтесь приспособлениями для защиты слуха.
При работе с инструментом всегда надевайте защитные очки.



Надевайте противопылевой респиратор.



Принадлежности - В стандартную комплектацию не входит, поставляется в качестве дополнительной принадлежности.



Электроприборы, батареи/аккумуляторы запрещено утилизировать вместе с бытовым мусором.
Электрические приборы и аккумуляторы следует собирать отдельно и сдавать в специализированную компанию для утилизации в соответствии с нормами охраны окружающей среды.
Получите в местных органах власти или у вашего специализированного дилера сведения о центрах вторичной переработки и пунктах сбора.



Направление вращения



Номинальное число оборотов



Напряжение



Постоянный ток



Европейский знак соответствия



Украинский знак соответствия



Евразийский знак соответствия

РУССКИЙ 111

Производствен номер..... 4774 12 01...
 ...000001-999999
 Номинална скорост на въртене..... 20000 min⁻¹



D=дискове за рязане- ϕ 76 mm
 d=отвор с ϕ 10 mm
 b=Дебелина на режещия диск мин. / макс. 1 mm / 2,8 mm

Макс. дълбочина на рязане: 16,3 mm
 Напрежение на акумулатора 18 V
 Тегло съгласно процедурата ЕРТА 01/2014 (2,0...6,0 Ah) 1,2...1,7 kg
 Препоръчителна околна температура при работа..... -18...+50 °C
 Препоръчителни видове акумулаторни батерии..... L1860R, L1850R, L1840R, L1830R, L1825R, L1820R, L1815R, L1820S
 Препоръчителни зарядни устройства BL1218, BLK1218; AL1218G; AL18G

Информация за шума/вибрациите (рязане на бетон)

Измерените стойности са получени съобразно EN 60 745.

Нивото на звуково налягане на уреда в db (A) обикновено съставлява

Равнище на звуковото налягане (Несигурност K=3dB(A)) 102,0 dB (A)

Равнище на мощността на звука (Несигурност K=3dB(A)) 91,0 dB (A)

Да се носи предпазно средство за слуха!

Общите стойности на вибрациите (векторна сума на три посоки) са определени в съответствие с EN 60745.

Стойност на емисии на вибрациите $a_{h,se}$ 4,2 m/s²

Несигурност K= 1,5 m/s²

ВНИМАНИЕ

Посоченото в тези инструкции ниво на вибрациите е измерено в съответствие със стандартизиран в EN 60745 измервателен метод и може да се използва за сравнение на електрически инструменти помежду им. Подходящ е и за временна оценка на вибрационното натоварване.

Посоченото ниво на вибрациите представя основните приложения на електрическия инструмент. Ако обаче електрическият инструмент се използва с друго предназначение, с различни сменяеми инструменти или при недостатъчна техническа поддръжка, нивото на вибрациите може да е различно. Това чувствително може да увеличи вибрационното натоварване по време на целия работен цикъл.

За точната оценка на вибрационното натоварване трябва да се вземат предвид и периодите от време, в които уредът е изключен или работи, но в действителност не се използва. Това чувствително може да намали вибрационното натоварване по време на целия работен цикъл.

Определете допълнителни мерки по техника на безопасност в защита на обслужващия работник от въздействието на вибрациите като например: техническа поддръжка на електрически инструмент и сменяемите инструменти, поддръжане на ръцете топли, организация на работния цикъл.

⚠ ВНИМАНИЕ! Прочетете всички указания за безопасност, инструкции, илюстрации и спецификации за този електроинструмент.

Несоблюдение всех нижеследующих инструкций может привести к поражению электрическим током, пожару и/или тяжелым травмам.

Сохраняйте эти инструкции и указания для будущего использования.

⚠ ИНСТРУКЦИИ ЗА БЕЗОПАСНОСТ ЗА ЦИРКУЛЯРИ.

a) Предпазният капак принадлежат към електроинструмента трябва да бъде монтиран сигурно и да бъде регулиран така, че да бъде постигната максимална безопасност, т.е. възможно най-малка част от абразивния диск да се показва открито към оператора. Вие и намиращи се наоколо лица стойте извън обсега на въртящия се шлифовъчен диск. Предпазният капак служи за защита на оператора от фрагменти и случаен контакт с абразивния диск.

b) Използвайте само слепени и подсилени или диамантени режещи дискове с Вашия електроинструмент. Само защото аксесоарът може да бъде прикачен към Вашия електроинструмент, не означава, че употребата му е безопасна.

c) Допустимите обороти на работния инструмент трябва да бъдат най-малко толкова високи, колкото посочените на електроинструмента максимални обороти. Аксесоари, които се въртят по-бързо от допустимото, могат да се счупят и да се разхвърчат.

d) Допуска се употребата на абразивните дискове само за целите, за които те са предвидени. Напр.: никога не шлифвайте със страничната повърхност на режещ диск. Режещите дискове са предназначени за отнемане на материал чрез ръба им. Странично прилагане на сила може да ги счупи.

e) Винаги използвайте не повредени обтягащи фланци с правилен размер за избрания от Вас режещ диск. Подходящият фланец поддържа режещия диск и така намалява опасността от счупването му.

f) Не използвайте износени шлифовъчни дискове от по-големи електроинструменти. Дисковете за по-големи електроинструменти не са предназначени за по-високите обороти, с които се въртят по-малки електроинструменти, и могат да се счупят.

g) Външният диаметър и дебелината на работния инструмент трябва да отговарят на посочените размери на Вашия електроинструмент. Работни инструментите с неподходящи размери не могат да бъдат покрити достатъчно или да бъдат контролирани.

h) Шлифовъчните дискове и фланците трябва да пасват точно на шпиндела на Вашия електроинструмент. Работни инструменти, които не пасват точно на шпиндела на електроинструмента, се въртят неравномерно, вибрират силно и могат да доведат до загуба на контрол.

i) Не използвайте повредени шлифовъчни дискове. Преди всяка употреба преглеждайте шлифовъчните дискове за отломки и пукнатини. Ако изпуснете електроинструмента или шлифовъчния диск,

проверете, дали не са повредени или използвайте неповреден шлифовъчен диск. След като проверите шлифовъчния диск и го поставите в електроинструмента, Ви е намиращи се наоколо лица стойте извън обсега на въртящия се шлифовъчен диск и оставете уреда да работи една минута на максимални обороти. Повредени шлифовъчни дискове обикновено се счупват по време на този тест.

ж) Носете лични предпазни средства. Според необходимостта използвайте цяла лицева маска, маска за очи или защитни очила. Ако е необходимо носете маска срещу прах, защита на слуха, предпазни ръкавици или специална престилка, която предпазва от малки частици от диска или от материала. Очите трябва да се защитени от чужди тела, които могат да отлетят по различни причини. Противопашната или дихателната маска трябва да могат да филтрират праха, който се образува при работа. Ако сте изложени дълго време на силен шум, това може да причини загуба на слуха Ви.

к) Внимавайте останалите лица да са на безопасно разстояние от Вашата работна зона. Всеки, който влиза в работната зона, трябва да носи лични предпазни средства. Отчупени парченца от обработваната част или от счупени работни инструменти могат да отлетят и да причинят наранявания дори и на лица извън непосредствената работна зона.

л) При работи, при които режещата приставка би могла да се докосне до покрити провеждащи електричество кабели, винаги хващайте инструмента за изолираните ръкохватки. При контакт с провеждащ електричество кабел металните части на електроинструмента също могат да провеждат електричество и да причинят токов удар на обслужващия.

м) Никога не оставяйте електроинструмента, докато работният инструмент не е напълно спрял. Въртящият се работен инструмент може да влезе в контакт с повърхността, върху която сте оставили електроинструмента, поради което може да загубите контрола върху него.

н) Докато пренасяте електроинструмента, не го оставяйте включен. При неволен допир дрехите или косите Ви могат да бъдат увлечени от работния инструмент, в резултат на което работният инструмент може да се вреже в тялото Ви.

о) Почиствайте редовно шлицовете за проветрение на електроинструмента. Духалката на мотора засмуква прах в корпуса на електроинструмента, а насъбирането на метален прах може да причини електрически опасности.

р) Не използвайте работни инструменти, които трябва да се охлаждат с течности. Употребата на вода или на други течни охлаждащи средства може да доведе до токов удар.

Допълнителни инструкции за безопасност при извършване на абразивно рязане

Откат на машината и съответни указания за безопасност

Откат е внезапната реакция в резултат на засядащ или блокиран въртящ се шлифовъчен диск. Засядане или блокиране води до рязко спиране на въртящия се работен инструмент. Така електроинструмента бива неконтролируемо ускорен в посока обратна на посоката на въртене на работния инструмент на мястото на блокиране.

Ако напр. шлифовъчният диск се заклини или блокира в обработваната част, ръбът на диска, който влиза в обработваната част, може да се заплете и по този начин шлифовъчният диск може да се счупи или да бъде предизвикан откат. Тогава шлифовъчният диск се

отправя към или се отдалечава от обслужващото лице, в зависимост от посоката на въртене на диска на мястото на блокиране. В такъв случай шлифовъчните дискове могат също да се счупят.

Откатът е резултат от неправилна или погрешна употреба на електроинструмента. Той може да бъде предотвратен чрез подходящи мерки за безопасност, както е описано в следното.

а) Хванете здраво машината и дръжте тялото и ръцете си в такава положение, в което да можете да поемете силата на отката. Винаги използвайте допълнителната ръкохватка, ако има такава, за да имате възможно най-голям контрол върху силата на отката или върху реакцията въртящ момент. Чрез подходящи мерки за безопасност обслужващият персонал може да овладее силите на отката и на реакция.

б) Никога не приближавайте ръцете си до въртящи се работни инструменти. При откат въртящият се работен инструмент може да се окаже върху ръцете Ви.

в) Избягвайте зоната пред и зад въртящия се диск за рязане. Откатът на мястото на блокиране изтласква електроинструмента в посока обратна на посоката на движение на шлифовъчния диск.

д) Работете особено предпазливо в зоните на ъгли, остри ръбове и др. п. Избягвайте отблъскването на работните инструменти от обработваната част и заклиняването им в нея. При обработване на ъгли или остри ръбове или при рязко отблъскване на въртящия се работен инструмент съществува повишена опасност от заклиняване. Това предизвиква загуба на контрол над машината или откат.

е) Не използвайте верижни триони или назъбени циркулярни дискове както и сегментирани диамантени дискове с прорези по-широки от 10 мм. Такива работни инструменти водят често до откат или загуба на контрол над електроинструмента.

ф) Не допускайте блокиране или твърде силно притискане на режещия диск. Не правете прекалено дълбоки разрези. Претоварването на режещия диск повишава силите, които действат върху него, а с това и опасността от заклиняване или блокиране, което от своя страна може да доведе до откат или счупване на абразивния диск.

г) Ако режещият диск се заклини или когато прекъсват работата, изключвайте електроинструмента и го дръжте спокойно, докато дискът окончателно спре да се върти. Никога не опитвайте да извадите въртящия се диск от разреза, в противен случай може да възникне откат. Открийте и отстранете причината за заклиняването.

х) Никога не включвайте електроинструмента отново, докато той се намира в обработваната част. Нека режещият диск достигне първо максималните си обороти, преди внимателно да продължите с рязането. В противен случай режещият диск може да заседне, да изскочи от обработваната част или да предизвика откат.

и) Когато режете плоскости или по-големи детайли, ги опрете, за да избегнете риска от откат при заклемване на режещия диск. Големите детайли могат да се огънат от собствената си тежест. Детайлът трябва да е подпрян на две места, а именно в близост до разреза и в края му.

ж) Бъдете особено внимателни при рязане на „дъбове“ в стени или в други зони, където няма видимост. При прерязване на газопроводи, водопроводи, електропроводи или други обекти, режещият диск може да причини откат.

ДОПЪЛНИТЕЛНИ УКАЗАНИЯ ЗА РАБОТА И БЕЗОПАСНОСТ

Допустимата честота на въртене на използвания се инструмент трябва да бъде поне толкова висока, колкото и посочената на уреда честота на въртене. Аксесоарите, които се въртят по-бързо от допустимото, могат да се счупят и да се развърчат.

Да се използват предпазни средства. При работа с машината винаги носете предпазни очила. Препоръчват се защитно облекло и прахозащитна маска, защитни ръкавици, здрави и нехлъзгащи се обувки, каска и предпазни средства за слуха.

Прахът, който се образува при работа, често е вреден за здравето и не бива да попада в тялото. Да се носи подходяща прахозащитна маска.

Не е разрешена обработката на материали, които представляват опасност за здравето (напр. азбест).

Ако използваният инструмент блокира, изключете веднага уреда! Не включвайте уреда отново, докато използваният инструмент е блокиран; това би могло да доведе до откат с висока реактивна сила. Открийте и отстранете причината за блокирането на използвания инструмент имайки в предвид инструкциите за безопасност.

Възможните причини за това могат да бъдат:

- Заклинване в обработваната част
- Пробиване на материала
- Пренатоварване на електрическия инструмент

Не бъркайте в машината, докато тя работи.

Използваният инструмент може да загрее по време на употреба.

- при смяна на инструмента
- при оставяне на уреда

При работа в стени, тавани или подове внимавайте за кабели, газопроводи и водопроводи.

Преди започване на каквито е да е работи по машината извадете акумулатора.

Не изхвърляйте изхабените акумулатори в огъня или в при битовите отпадъци. AEG предлага екологосъобразно събиране на старите акумулатори; моля попитайте Вашия специализиран търговец.

Не съхранявайте акумулаторите заедно с метални предмети (опасност от късо съединение).

Акумулатори от системата GBS да се зареждат само със зарядни устройства от системата GBS laden. Да не се зареждат акумулатори от други системи.

Не отваряйте акумулатори и зарядни устройства и ги съхранявайте само в сухи помещения. Пазете ги от влага.

При екстремно натоварване или екстремна температура от повредени акумулатори може да изтече батерийна течност. При допир с такава течност веднага измийте с вода и сапун. При контакт с очите веднага изплаквайте старателно най-малко 10 минути и незабавно потърсете лекар.

Предупреждение! За да избегнете опасността от пожар, предизвикана от късо съединение, както и нараняванията и повредите на продукта, не потапяйте инструментa, сменяемата акумулаторна батерия или зарядното устройство в течности и се погрижете в уредите и акумулаторните батерии да не попадат течности. Течностите, предизвикващи корозия или провеждащи електричество, като солена вода, определени химикали, избелващи вещества или продукти, съдържащи избелващи вещества, могат да предизвикат късо съединение.

ИЗПОЛЗВАНЕ ПО ПРЕДНАЗНАЧЕНИЕ

Този инструмент за прекъсване е предназначен за изрязване на различни материали.

Този уред може да се използва по предназначение само както е посочено.

За да се сведе до минимум опасността от нараняване, използвайте само диамантени шлифовъчни дискове от тип 1 с максимална дебелина от 2,8 mm, с които може да се работи безопасно при минимални обороти от 20 000 min⁻¹. Шлифовъчните дискове от тип 1 са подходящи само за странично шлифоване, но не и за плоско шлифоване. Спазвайте всички указания за безопасност, които се доставят с режещите дискове.

Използвайте посочения по-нататък преглед за избор на подходящия шлифовъчен диск. В зависимост от материала, трябва да се използват различни шлифовъчни дискове. Обърнете внимание на указанията за употреба от производителя на шлифовъчните дискове.

Вид дискове	За шлифоване на
Карбидни шлифовъчни дискове	гипскартон, пластмаса
Режещи дискове	стомана, неръждаема стомана, материали без съдържание на желязо
Диамантени дискове	плочки, бетон, цигли, керамика, влакнест цимент

ЗАЩИТА СРЕЩУ ПРЕТОВАРВАНЕ

При високо натоварване на двигателя се активира защитата от претоварване. За да продължите работата изключете машината и след това отново я включете.

СЕ – ДЕКЛАРАЦИЯ ЗА СЪОТВЕТСТВИЕ

Заявяваме под собствена отговорност, че описаният в „Технически данни“ продукт съответства на всички важни разпоредби на директива 2011/65/EU (RoHS), 2014/30/EU, 2006/42/EO, както и на всички следващи нормативни документи във тази връзка.

EN 60745-1:2009+A11:2010
EN 60745-2-22:2011+A11:2013
EN 55014-1:2017+A11:2020
EN 55014-2:2015
EN IEC 63000:2018

Winnenden, 2020-06-30



Alexander Krug
Managing Director



Упълномощен за съставяне на техническата документация
Techtronic Industries GmbH
Max-Eyth-Straße 10
71364 Winnenden
Germany

АКУМУЛАТОРИ

Акумулатори, които не са ползвани по-дълго време, преди употреба да се дозаредят.

Температура над 50°C намалява мощността на акумулатора. Да се избягва по-продължително нагряване на слънце или от отопление.

Поддържайте чисти присъединителните контакти на зарядното устройство и на акумулатора.

С цел оптимална продължителност на живот след употреба батериите трябва да бъдат заредени напълно

За възможно по-дълга продължителност на живот батериите трябва да се изваждат от уреда след зареждане.

При съхранение на батериите за повече от 30 дни: съхранявайте батерията при прибл. 27°C и на сухо място. Съхранявайте батерията при 30 до 50 % от заряда. Зареждайте батерията на всеки 6 месеца.

ЗАЩИТА ОТ ПРЕТОВАРВАНЕ НА БАТЕРИЯТА

Акумулаторният пакет е оборудван със защита против претоварване, която защитава акумулатора от претоварване и гарантира дълъг експлоатационен живот.

При извънредно силно натоварване електрониката на акумулатора автоматично изключва машината. За продължаване на работата изключете и отново включете машината. Ако машината не може да се пусне наново, може би акумулаторният пакет е разреден и трябва отново да се зареди в зарядното устройство.

ПРЕВОЗ НА ЛИТИЕВО-ЙОННИ БАТЕРИИ

Литиево-йонните батерии са предмет на законовите разпоредби за превоз на опасни товари.

Превозът на тези батерии трябва да се извършва в съответствие с местните, националните и международните разпоредби и регламенти.

- Потребителите могат да превозват тези батерии по пътя без допълнителни изисквания.
- Превозът на литиево-йонни батерии от транспортни компании е предмет на законовите разпоредби за превоз на опасни товари. Подготовката на превоза и самият превоз трябва да се извършват само от обучени лица. Целият процес трябва да е под професионален надзор.

Спазвайте следните изисквания при превоз на батерии:

- Уверете се, че контактите са защитени и изолирани, за да се избегне късо съединение.
- Уверете се, че няма опасност от разместване на батерията в опаковката.
- Не превозвайте повредени батерии или такива с течове.

Обърнете се към Вашата транспортна компания за допълнителни инструкции.

ПОДДРЪЖКА

Вентилационните шлицы на машината да се поддържат винаги чисти.

Уверете се, че инструментът е с прекъснато електрическо захранване, преди да поставяте или сваляте режещия диск.

Почиствайте уреда и предпазното съоръжение със суха кърпа. Някои почистващи препарати могат да повредат пластмасата или други изолирани части. Дръжте уреда чист и сух, както и следете за изтичане на масло и грес. Проверете функционалността на предпазните капаци. Редовната поддръжка и редовното почистване осигуряват по-дълъг живот и по-сигурна експлоатация.

Да се използват само аксесоари на AEG резервни части на AEG. Елементи, чията подмяна не е описана, да се дадат за подмяна в сервиз на AEG (вижте брошурата "Гаранция и адреси на сервизи").

При необходимост можете да поискате схема на елементите на уреда при посочване на обозначение на машината и шестцифрения номер на табелката за технически данни от Вашия сервиз или директно на Techtronic Industries GmbH, Max-Eyth-Straße 10, 71364 Winnenden, Германия.

СИМВОЛИ



ВНИМАНИЕ! ПРЕДУПРЕЖДЕНИЕ!
ОПАСНОСТ



Преди започване на каквито е да работи по машината извадете акумулатора.



Преди пускане на уреда в действие моля прочетете внимателно инструкцията за използване.



Да се носят предпазни ръкавици!



Да се носи предпазно средство за слуха!
При работа с машината винаги носете предпазни очила.



Да се носи подходяща прахозащитна маска.
Аксесоари - Не се съдържат в обема на доставката, препоръчвано допълнение от програмата за аксесоари.



Електрическите уреди, батерии/акумулаторни батерии не трябва да се изхвърлят заедно с битовите отпадъци.

Електрическите уреди и акумулаторни батерии трябва да се събират отделно и да се предават на службите за рециклиране на отпадъците според изискванията за опазване на околната среда.

Информирайте се при местните служби или при местните специализирани търговци относно местата за събиране и центровете за рециклиране на отпадъци.



Посока на въртене



Номинална скорост на въртене



Напрежение



Постоянен ток



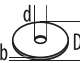
Европейски знак за съответствие



Украински знак за съответствие



Евро-азиатски знак за съответствие

DATE TEHNICE	MAȘINA DE DEBITAT	BMMS18SBL
Număr producție.....		4774 12 01... ...000001-999999
Turație nominală.....		20000 min ⁻¹
	D=Discuri de tăiere ø.....	76 mm
	d=ø alezajului.....	10 mm
	b=Grosimea discului de tăiere min. / max.....	1 mm / 2,8 mm
Adâncime de tăiere max.....		16,3 mm
Tensiune acumulator.....		18 V
Greutatea conform „EPTA procedure 01/2014” (2,0...6,0 Ah).....		1,2...1,7 kg
Temperatura ambiantă recomandată la efectuarea lucrărilor.....		-18...+50 °C
Accumulatori recomandați.....	L1860R, L1850R, L1840R, L1830R, L1825R, L1820R, L1815R, L1820S	
Încărcătoare recomandate.....	BL1218, BLK1218; AL1218G; AL18G	

Informație privind zgomotul/vibrațiile (tăierea betonului)

Valori măsurate determinate conform EN 60 745.

Valoarea reală A a nivelului presiunii sonore a sculei este :

Nivelul presiunii sonore (Nesiguranță K=3dB(A))..... 102,0 dB (A)

Nivelul sunetului (Nesiguranță K=3dB(A))..... 91,0 dB (A)

Purtați căști de protecție

Valorile totale de oscilație (suma vectorială pe trei direcții) determinate conform normei EN 60745.

Valoarea emisie de oscilații a..... 4,2 m/s²

Nesiguranță K=..... 1,5 m/s²

AVERTISMENT

Gradul de oscilație indicat în prezentele instrucțiuni a fost măsurat în conformitate cu o procedură de măsurare normată prin norma EN 60745 și poate fi folosit pentru a compara unelte electrice între ele. El se pretează și pentru o evaluare provizorie a solicitării la oscilații.

Gradul de oscilație indicat reprezintă aplicațiile principale ale uneltelor electrice. În cazul în care însă uneltele electrice au fost folosite pentru alte aplicații, ori au fost folosite unelte de muncă diferite ori acestea nu au fost supuse unei suficiente inspecții de întreținere, gradul de oscilație poate fi diferit. Acest fapt poate duce la o creștere netă a solicitărilor la oscilații dealungul întregii perioade de lucru.

În scopul unei evaluări exacte a solicitării la oscilații, urmează să fie luate în considerare și perioadele de timp în care aparatul a fost oprit ori funcționează dar, în realitate, el nu este folosit în mod practic. Acest fapt poate duce la o reducere netă a solicitărilor la oscilații dealungul întregii perioade de lucru.

Stabiliți măsuri de siguranță suplimentare în scopul protecției utilizatorului de efectele oscilațiilor, de exemplu: inspecție de întreținere a uneltelor electrice și a celor de muncă, păstrarea caldă a mâinilor, organizarea proceselor de muncă.

⚠️ AVERTISMENT A se citi toate avertismentele, instrucțiunile, ilustrațiile și specificațiile privind siguranța furnizate cu această unealtă electrică.

Nerespectarea tuturor instrucțiunilor listate mai jos poate cauza șocuri electrice, incendii și/sau vătămări corporale grave.

Păstrați toate indicațiile de avertizare și instrucțiunile în vederea utilizărilor viitoare.

⚠️ INDICAȚII DE SIGURANȚĂ PENTRU TĂIERE CU CIRCULARUL

a) Capota de protecție a sculei electrice trebuie să fie montată corect și reglată astfel încât să se poată atinge un grad de siguranță maxim, adică așa ca din discul abraziv să fie descoperită spre operator o porțiune cât mai mică. Dumneavoastră împănă cu persoanele aflate în apropiere poziționați-vă în afara planului în care se rotește discul abraziv. Capota de protecție apără operatorul de eventuale fragmente desprinse din discul abraziv și de contactul întâmplător cu acesta.

b) Pentru scula electrică utilizați exclusiv numai discuri de retezat cu liant întărite sau cu inserție de diamante. Doar prin faptul că puteți fixa discul pe scula electrică nu este încă garantată utilizarea în siguranță.

c) Numărul de rotații admis pentru elementele de montat în aparat, trebuie să fie la fel de mare ca numărul de rotații înscris pe acesta. O rotire mai rapidă decât cea admisă le poate sparge sau azviri din aparat.

d) Corpurile abrazive trebuie folosite numai pentru posibilitățile de utilizare recomandate. De exemplu: nu

șlefuiți cu partea laterală a unui disc de tăiere. Discurile de tăiere sunt destinate îndepărtării de material cu marginea discului. Exercițiul unei forțe laterale asupra acestui corp abraziv poate duce la ruperea sa.

e) Utilizați întotdeauna flanșe pentru așchii nedeteriorate, de dimensiune corectă pentru discul ales de dumneavoastră. Flanșele adecvate sprijină discul și reduc astfel pericolul ruperii acestuia.

f) Nu întrebuințați discuri de șlefuit uzate provenind de la scule electrice mai mari. Discurile de șlefuit pentru scule electrice mai mari nu sunt concepute pentru turații mai ridicate ale sculelor electrice mai mici și se pot rupe.

g) Diametrul exterior și grosimea accesoriului de lucru utilizat trebuie să corespundă dimensiunilor specifice ale aparatului dumneavoastră. Accesoriile de lucru măsurate greșit nu pot fi acoperite sau controlate suficient de bine.

h) Discurile abrazive și flanșa trebuie să se potrivească exact pe axul sculei electrice. Sculele demontabile montate care nu se potrivesc exact pe axul sculei electrice se vor roti neuniform, vor vibra foarte puternic și se pot solda cu pierderea controlului.

i) Nu utilizați niciun disc abraziv deteriorat. Înainte de fiecare utilizare verificați dacă nu s-au desprins așchii din discul abraziv și dacă acesta nu este fisurat. Dacă scula electrică sau discul abraziv cad, verificați dacă acestea nu au fost deteriorate sau utilizați un disc abraziv nedeteriorat. După ce ați controlat și montat discul abraziv, atât dumneavoastră și persoanele aflate în preajmă evitați șederea în planul în care se rotește

discul abraziv și lăsați aparatul să funcționeze un minut la viteza maximă. Majoritatea discurilor abrazive deteriorate se vor sparge în acest interval de timp de testare.

j) Purtați echipament personal de protecție. În funcție de utilizare, purtați o protecție completă a feței, protecție pentru ochi sau ochelari de protecție. Dacă este cazul, purtați mască de protecție împotriva prafului, protecție auditivă, mănuși de protecție sau șort special care să vă ferească de micile așchii și particule de material. Ochiul trebuie protejat de corpurile străine aflate în zbor, apărute în cursul diferitelor aplicații. Măscă de protecție împotriva prafului sau măscă de protecție a respirației trebuie să filtreze praful degajat în timpul utilizării. Dacă sunteți expuși timp îndelungat zgomotului puternic, vă puteți pierde auzul.

k) Alte persoane aflate în preajmă trebuie să mențină o distanță de siguranță față de zona de lucru. Oricine intră în perimetrul de lucru trebuie să poarte îmbrăcămintă de protecție. Bucățiile de material desprinse din piesă sau accesoriile de lucru rupte pot fi proiectate prin aer și pot provoca răni chiar și în afara perimetrului de lucru.

l) Țineți unealta electrică doar de suprafețele de apurcare izolate la efectuarea de operații în care accesoriul tăietor poate intra în contact cu conductoare ascunse. Accesoriile tăietoare care intră în contact cu un conductor sub tensiune pot pune sub tensiune componentele metalice expuse ale unelei electrice și pot cauza operatorului un șoc electric.

m) Nu lăsați niciodată aparatul din mână, atât timp cât accesoriul de lucru nu s-a oprit complet. Accesoriul de lucru aflat în rotație poate intra în contact cu suprafața pe care este așezat și astfel puteți pierde controlul asupra aparatului.

n) Nu lăsați scula electrică să funcționeze în timp ce o transportați. În urma unui contact accidental cu dispozitivul de lucru care se rotește, acesta vă poate prinde îmbrăcămintea și chiar pătrunde în corpul dumneavoastră.

o) Curățați regulat fantele de aerisire ale sculei dumneavoastră electrice. Ventilatorul motorului atrage praf în carcasă iar acumulara puternică de pulberi metalice poate provoca pericole electrice.

p) Nu utilizați accesoriul de lucru care necesită agenți de răcire fluizi. Utilizarea apei sau a altor agenți de răcire fluizi poate provoca scurtcircuit.

Alte indicații de siguranță pentru aplicațiile de tăiere abrazivă

Recul și indicații de siguranță corespunzătoare

Recul este reacția imediată a discului abraziv agățat sau blocat aflat în mișcare de rotație. Agățarea sau blocarea are ca urmare o oprire bruscă a sculei aplicate aflate în mișcare de rotație. Prin aceasta o sculă electrică scăpată de sub control va fi accelerată în sensul opus celui de rotație al discului abraziv în locul de blocare.

Dacă, de exemplu, un disc de șlefuit se agăță sau se blochează în piesa de lucru, marginea discului de șlefuit care penetrează direct piesa de lucru se poate agăță în aceasta și duce astfel la smulgerea discului de șlefuit sau poate provoca recul. Discul de șlefuit se va deplasa către operator sau în sens opus acestuia, în funcție de direcția de rotație a discului în punctul de blocare. În această situație discurile de șlefuit se pot chiar rupe.

Un recul este consecința utilizării greșite sau defectuoase a sculei electrice. El poate fi împiedicat prin măsuri preventive adecvate, precum cele descrise în continuare.

a) Țineți bine scula electrică și aduceți-vă corpul și brațele într-o poziție în care să puteți controla forțele de recul. Folosiți întotdeauna un mâner suplimentar, în caz că acesta există, pentru a avea un control maxim asupra forțelor de recul sau a momentelor de reacție la

turații înalte. Operatorul poate stăpâni forțele de recul și de reacție prin măsuri preventive adecvate.

b) Nu apropiați niciodată mâna de dispozitivele de lucru aflate în mișcare de rotație. În caz de recul dispozitivul de lucru se poate deplasa peste mâna dumneavoastră.

c) Evitați zona din fața sau spatele discului abraziv aflat în rotație. Reculul va deplasa scula electrică în direcția opusă mișcării discului abraziv în locul de blocare.

d) Lucrați extrem de atent în zona colțurilor, muchiilor ascuțite, etc. Împiedicați rikoșarea dispozitivului de lucru de pe piesa de lucru și blocarea acestuia. Dispozitivul de lucru aflat în mișcare de rotație are tendința să se blocheze în colțuri, pe muchii ascuțite sau când rikoșează în urma izbirii. Aceasta duce la pierderea controlului sau la recul.

e) Nu utilizați niciun disc de tăiere cu lanț sau danturat, și niciun disc segmentat cu diamante care are despicăturile mai mari de 10 mm. Asemenea scule aplicate cauzează frecvent un recul sau pierdere controlului asupra sculei electrice.

f) Evitați blocarea discului de tăiere sau o apăsare prea puternică. Nu executați tăieri exagerat de adânci. O supraîncărcare a discului de tăiere mărește solicitarea acestuia și tendința sa de a devia, de a se răsuși în piesa de lucru sau de a se bloca, apărând astfel posibilitatea unui recul sau a ruperii corpului abraziv.

g) Dacă discul de tăiere se blochează sau dacă întrerupeți lucrul, deconectați scula electrică și nu o mișcați până când discul se oprește complet. Nu încercați niciodată să extrageți discul de tăiere din tăietură, altfel se poate produce un recul. Stabiliți și îndepărtați cauza blocării discului.

h) Nu reporniți niciodată scula electrică cât timp aceasta se mai află încă în piesa de lucru. Lăsați discul de tăiere să atingă turația nominală și numai după aceea continuați să tăiați cu precauție. În caz contrar discul se poate agăță, sări afară din piesa de lucru sau provoca recul.

i) Sprijiniți plăcile sau piesele de lucru mari pentru a diminua riscul reculului cauzat de blocarea discului de tăiere. Piesele mari se pot încovoia sub propria greutate. De aceea, piesa de lucru trebuie sprijinită pe ambele părți, atât în apropierea liniei de tăiere cât și pe margine.

j) Fiți extrem de atenți în cazul "tăierii de cavități" în pereți deja existenți sau în alte sectoare fără vizibilitate. La penetrarea în sectorul vizat, discul de tăiere poate cauza recul dacă nimerește în conducte de gaz sau de apă, conductori electrice sau alte obiecte.

INSTRUCȚIUNI SUPPLEMENTARE DE SIGURANȚĂ ȘI DE LUCRU

Numărul de rotații admis pentru elementele de montat în aparat, trebuie să fie la fel de mare ca numărul de rotații înscris pe acesta.

O rotire mai rapidă decât cea admisă le poate sparge sau azvîrli din aparat.

Folosiți echipament de protecție. Purtați întotdeauna ochelari de protecție când lucrați cu mașina. Se recomandă utilizarea hainelor de protecție ca de ex. Măști contra prafului, mănuși de protecție, încălțăminte stabilă nealunecoasă, cască și aparatoare de urechi.

Praful care apare când se lucrează cu această sculă poate fi dăunător sănătății și prin urmare nu trebuie să atingă corpul. Purtați o mască de protecție corespunzătoare împotriva prafului.

Nu se admite prelucrarea unui material care poate pune în pericol sănătatea operatorului (de exemplu azbestul).

La blocarea sculei demontabile vă rugăm să deconectați imediat aparatul! Nu conectați aparatul atâta timp cât scula demontabilă este blocată; dacă o faceți, s-ar putea să se producă un recul cu un cuplu mare de reacție. Găsiți și

remediați cauza de blocare a sculei demontabile respectând indicațiile pentru siguranță.

Cauzele posibile pot fi:

- Agățarea în piesa de prelucrat
- Străpungerea materialului de prelucrat
- Suprasolicitarea sculei electrice

Nu atingeți părțile mașinii aflate în rotație.

Scula introdusă poate să devină fierbinte în timpul utilizării.

- la schimbarea sculei
- la depunerea aparatului

Când se lucrează pe pereți, tavan sau dușumea, aveți grijă să evitați cablurile electrice și țevile de gaz sau de apă.

Îndepărtați acumulatorul înainte de începerea lucrului pe mașina

Nu aruncați acumulatorii uzați la containerul de reziduri menajere și nu îi ardeți. AEG Distributors se oferă să recupereze acumulatorii vechi pentru protecția mediului înconjurător.

Nu depozitați acumulatorul împreună cu obiecte metalice (risic de scurtcircuit)

Folosiți numai încărcătoare System GBS pentru încărcarea acumulatorilor System GBS. Nu folosiți acumulatorii din alte sisteme.

Nu deschideți niciodată acumulatorii și încărcătoarele și pastrați-le numai în încăperi uscate. Pastrați-le întotdeauna uscate.

Acidul se poate scurge din acumulatorii deteriorați la încălzire sau temperaturi extreme. În caz de contact cu acidul din acumulator, spălați imediat cu apă și săpun. În caz de contact cu ochii, clătiți cu atenție timp de cel puțin 10 minute și apelați imediat la îngrijire medicală.

Avertizare! Pentru a reduce pericolul unui incendiu și evitarea rănilor sau deteriorarea produsului în urma unui scurtcircuit nu imersați scula, acumulatorul de schimb sau încărcătorul în lichide și asigurați-vă să nu pătrundă lichide în aparate și acumulatori. Lichidele corosive sau cu conductibilitate, precum apa sărată, anumite substanțe chimice și înălbitori sau produse ce conțin înălbitori, pot provoca un scurtcircuit.

CONDIȚII DE UTILIZARE SPECIFICE

Acest instrument de tăiere este destinat a fi utilizat pentru a tăia diferite materiale.

Nu utilizați acest produs în alt mod decât cel stabilit pentru utilizare normală.

Pentru a minimiza riscul de accidentare, utilizați doar discuri diamantate tip 1 cu o grosime maximă de 2,8 mm, care pot fi folosite în siguranță cu o turație minimă de 20.000 min⁻¹. Discurile de rectificare de tip 1 sunt adecvate pentru rectificarea laterală, nu și plană. Respectați toate indicațiile de siguranță furnizate împreună cu discurile de tăiere.

Utilizați imaginea generală de mai jos pentru selectarea discului de rectificat adecvat. În funcție de material se utilizează discuri de rectificat diferite. Respectați instrucțiunile de utilizare ale producătorului discului de rectificat.

Tip disc	Pentru rectificare
Disc de rectificat cu carbid	Gips-carton, plastic
Discuri de tăiere	Oțel, oțel inox, materiale neferoase
Disc de rectificat diamantat	Plăci ceramice, beton, cărămidă, ceramică, fibrociment

PROTECȚIE LA SUPRASARCINĂ

În cazul suprasolicitării motorului se declanșează protecția contra suprasolicitării. Pentru a putea continua munca opriți mașina și reporniți-o apoi

DECLARAȚIE DE CONFORMITATE

Declaram pe propria răspundere că produsul descris la „Date tehnice” este în concordanță cu toate prevederile legale relevante ale Directivei 2011/65/EU (RoHS), 2014/30/UE, 2006/42/CE și cu următoarele norme armonizate:

EN 60745-1:2009+A11:2010
EN 60745-2-22:2011+A11:2013
EN 55014-1:2017+A11:2020
EN 55014-2:2015
EN IEC 63000:2018

Winnenden, 2020-06-30

Alexander Krug
Managing Director



Împuternicit să elaboreze documentația tehnică.

Techtronic Industries GmbH
Max-Eyth-Straße 10
71364 Winnenden
Germany

ACUMULATORI

Acumulatorii care nu au fost utilizați o perioadă de timp trebuie reîncărcați înainte de utilizare.

Temperatura mai mare de 50°C (122°F) reduce performanța acumulatorului. Evitați expunerea prelungită la căldură sau radiație solară (risic de supraîncălzire)

Contactele încărcătoarelor și acumulatorilor trebuie păstrate curate.

Pentru o durabilitate optimă, acumulatorii trebuie reîncărcați complet după folosire.

Pentru o durată de viață cât mai lungă, acumulatorii ar trebui scoși din încărcător după încărcare.

La depozitarea acumulatorilor mai mult de 30 zile: Acumulatorii se depozitează la cca. 27°C și la loc uscat. Acumulatorii se depozitează la nivelul de încărcare de cca. 30%-50%.

Acumulatorii se încarcă din nou la fiecare 6 luni.

PROTECȚIE SUPRAÎNCĂRCARE ACUMULATOR

Bateria de acumuloare este dotată cu o protecție anti-suprasarcină, care protejează acumulatorul împotriva supraîncărcării și îi asigură o durată îndelungată de viață. În cazul unei solicitări extrem de ridicate, sistemul electronic al acumulatorului decuplează mașina în mod automat. Pentru continuarea lucrului, mașina trebuie decuplată și apoi cuplată din nou. Dacă mașina nu pornește, este posibil ca bateria de acumuloare să fie descărcată, trebuind reîncărcată în aparatul de încărcare.

TRANSPORTUL ACUMULATORILOR CU IONI DE LITIU

Acumulatorii cu ioni de litiu cad sub incidența prescripțiilor legale pentru transportul de mărfuri periculoase.

Transportul acestor acumulatori trebuie să se efectueze cu respectarea prescripțiilor și reglementărilor pe plan local, național și internațional.

- Consumatorilor le este permis transportul rutier nerestricționat al acestui tip de acumulatori.

- Transportul comercial al acumulatorilor cu ioni de litiu prin intermediul firmelor de expediție și transport este supus reglementărilor transportului de mărfuri periculoase. Pregătirile pentru expediție și transportul au voie să fie efectuate numai de către personal instruit corespunzător. Întregul proces trebuie asistat în mod competent.

Următoarele puncte trebuie avute în vedere la transportul acumulatorilor:

- Pentru a se evita scurtcircuite, asigurați-vă de faptul că sunt protejate și izolate contactele.
- Aveți grijă ca pachetul de acumulatori să nu poată aluneca în altă poziție în interiorul ambalajului său.
- Este interzis transportarea unor acumulatori deteriorați sau care pierd lichid.

Pentru indicații suplimentare adresați-vă firmei de expediție și transport cu care colaborați.

INTREȚINERE

Fantele de aerisire ale mașinii trebuie să fie menținute libere tot timpul








Asigurați-vă că deconectați unealta de la sursa de alimentare înainte de atașarea sau înlăturarea lamei ferăstrăului.




Curățați aparatul și dispozitivul de protecție cu o lavetă uscată. Unii agenți de curățat deteriorează materialul plastic și alte componente izolate. Păstrați aparatul curat, uscat și ștergeți-l de uleiul și vaselina care s-au scurs. Verificați funcționarea carcaselor de protecție. Întreținerea și curățarea efectuate în mod regulat, asigură o durată de exploatare lungă și o manipulare în condiții de siguranță.

Utilizați numai accesorii și piese de schimb AEG. Dacă unele din componente care nu au fost descrise trebuie înlocuite, vă rugăm contactați unul din agenții de service AEG (vezi lista noastră pentru service / garanție)

Dacă este necesar, puteți solicita de la centrul dvs. de service pentru clienți sau direct la Techtronic Industries GmbH, Max-Eyth-Straße 10, 71364 Winnenden, Germania un desen descompus al aparatului prin indicarea tipului de aparat și a numărului cu șase cifre de pe tablăta indicatoare.

SIMBOLURI

	PERICOL! AVERTIZARE! ATENȚIE!
	Îndepărtați acumulatorul înainte de începerea lucrului pe mașina
	Va rugăm citiți cu atenție instrucțiunile înainte de pornirea mașinii
	Purtați mănuși de protecție!
	Purtați căști de protecție Purtați întotdeauna ochelari de protecție când utilizați mașina.
	Purtați o mască de protecție corespunzătoare împotriva prafului.
	Accesoriu - Nu este inclus în echipamentul standard, disponibil ca accesoriu

	Aparatele electrice, bateriile/acumulatorii nu se elimină împreună cu deșeurile menajere. Aparatele electrice și acumulatorii se colectează separat și se predau la un centru de reciclare, în vederea eliminării ecologice. Informați-vă de la autoritățile locale sau de la comercianții acreditați în legătură cu centrele de reciclare și de colectare.
	Direcție de rotație
	Turație nominală
	Tensiune
	Curent continuu
	Marcă de conformitate europeană
	Marcă de conformitate ucraineană
	Marcă de conformitate eurasiatică

Производен број..... 4774 12 01...
 ...000001-999999
 Номинална брзина..... 20000 min⁻¹



D=Диск за сечење- ϕ 76 mm
 d=бушење- ϕ 10 mm
 b=Дебелина на плочата за сечење мин. / макс. 1 mm / 2,8 mm

Максимална длабочина на сечење..... 16,3 mm
 Волтажа на батеријата 18 V
 Тежина според ЕПТА-процедурата 01/2014 (2,0...6,0 Ah) 1,2...1,7 kg
 Препорачана температура на околината при работа -18...+50 °C
 Препорачани типови на акумулаторски батерии..... L1860R, L1850R, L1840R, L1830R, L1825R, L1820R, L1815R, L1820S
 Препорачани полначи BL1218, BLK1218; AL1218G; AL18G

Информација за бучавата/вибрациите (сечење на бетон)

Измерените вредности се одредени согласно стандардот EN 60 745.

Типично очекувано ниво на звучен притисок на алатот е:

Ниво на звучен притисок. (Несигурност K=3dB(A))..... 102,0 dB (A)

Ниво на јачина на звук. (Несигурност K=3dB(A))..... 91,0 dB (A)

Носте штитник за уши.

Вкупни вибрациски вредности (векторски збир на трите насоки) пресметани согласно EN 60745.

Вибрациска емисиона вредност $a_{h,sc}$ 4,2 m/s²

Несигурност K = 1,5 m/s²

ПРЕДУПРЕДУВАЊЕ

Нивото на осцилација наведено во овие инструкции е измерено во согласност со мерните постапки нормирани во EN 60745 и може да биде употребено за меѓусебна споредба на електро-алати. Ова ниво може да се употреби и за привремена проценка на оптоварувањето на осцилацијата.

Наведеното ниво на осцилација ги репрезентира главните намени на електро-алатот. Но, доколку електро-алатот се употребува за други намени, со отстапувачки додатоци или со несоодветно одржување, нивото на осцилација може да отстапи. Тоа може значително да го зголеми оптоварувањето на осцилацијата за време на целиот работен период.

За прецизна проценка на оптоварувањето на осцилацијата предвид треба да бидат земени и времињата, во коишто апаратот е исклучен или работи, но фактички не се употребува. Тоа може значително да го намали оптоварувањето на осцилацијата за време на целиот работен период.

Утврдете дополнителни безбедносни мерки за заштита на операторот од влијанието на осцилациите, како на пример: одржување на електро-алатот и на додатоци кон електро-алатот, одржување топли раце, организација на работните процеси.

▲ ПРЕДУПРЕДУВАЊЕ! Прочитајте ги сите безбедносни упатства, инструкции, илустрации и спецификации за овој електричен алат. Недоследно почитување на подолу наведените упатства може да предизвика електричен удар, пожар и/или сериозни повреди.

Чувајте ги сите предупредувања и упатства за употреба.

▲ НАПОМЕНИ ЗА БЕЗБЕДНОСТ ЗА КРУЖНИ ПИЛИ

а) Заштитната хауба која што припаѓа кон електричното орудие мора да биде нанесено безбедно и подесено на тој начин, што ќе се постигне највисока мера на безбедност, односно најмалиот дел на делот за брусење да биде отворен према лицето корисник. Вие и лица кои што се наоѓаат во близина држете растојание вон нивото на ротирачкиот диск за брусење. Заштитната хауба треба да ги штити корисниците од открити парчиња и случаен контакт со брусечкото тело.

б) Исклучиво употребувајте поврзани засилени или со дијамант обезбедени дискови за делење за Вашето електрично орудие. Самото тоа што можете опремата да ја прицврстите за Вашето електрично орудие не гарантира безбедна употреба.

в) Бројот на вртежи на алатот, којшто се употребува, мора да биде нај-малку толку висок како и бројот на

вртежите на вашиот електро-алат. Додатокот, којшто се врти побрзу, може да се скриша и да излета.

д) Телата за брусење смеат да се употребуваат само за препорачаните можности за употреба. На пример: никогаш не брусење со страничната површина од диск за делење. Дисковите за делење се наменети за отстранување на материјал со работ на дискот. Дејството на странична сила врз овие тела за брусење може да ги скрши истите.

е) Секогаш употребувајте исклучиво нештетени фланшови за затегнување во исправната вечичина за разделната плоча која што е избрана од Вас. Соодветните фланшови ја потпираат разделната плоча и со тоа ја намалуваат опасноста од кршење на разделните плочи.

ф) Не употребувајте искористени дискови за брусење од поголеми електро-алати. Дисковите за брусење за поголеми електро-алати не се погодни за повисоките броеви на вртежи кај помалите електро-алати и можат да се скршат.

г) Надворешниот пресек и дебелината на орудията кои што се применуваат мора да соодветствуваат со мерните информации на Вашето електро-орудие. Погрешно измерени орудия за употреба не можат во доволна мерка да бидат заштитени или контролирани.

х) Дисковите за брусење и фланшовите мора точно да одговараат на вретеното за брусење на Вашето електрично орудие. Орудия во примена кои што не

одговараат точно на вретеното за брусење на Вашето електрично орудие, се вртат нерамномерно, многу силно вибрираат и можат да доведат до губење на контролата.

и) Не употребувајте оштетени дискови за брусење. Пред секоја употреба контролирајте ги дисковите за брусење да не имаат отскршени делчиња и пукнатини. Кога електричното орудие или дискот за брусење ќе Ви падне, проверете да не е оштетено или употребете неоштетен диск за брусење. Кога дискот за брусење го имате контролирано и вметнато, Вие и лица кои што се наоѓаат во близина, внимавајте да не дојдете на нивото на ротирачкиот диск за брусење и оставете го апаратот да врти со највисок број на вртежи за цела една минута. Дискови за брусење кои што се оштетени за ова време на тестирање обично ќе се скршат.

ј) Носете опрема за лична заштита. Зависно од употребата, користете целосна визуелна заштита, заштита за очите или заштитни очила. Доколку е потребно, носете маска за заштита од прашина, заштита за ушите, заштитни ракавици или специјална престилка, со која се заштитувате од ситни честички од шлајфувањето и од материјалот. Очите треба да бидат заштитени од страни тела што се разлетуваат наоколу, а кои настануваат при различни употреби. Заштита маска од прашина и за дишење мора да ја филтрираат прашината што се создава при работата. Доколку сте подолго време изложени на гласна бучава, тоа може да предизвика губење на слухот.

к) Кај други лица обратете внимание на безбедно растојание кон Вашето подрачје на работење. Секој кој што влегува во работното подрачје мора да носи лична заштитна опрема. Делови од парчето кое што се работи или скршено орудие кое што се употребува може да летне и да предизвика повреди и вон директното подрачје на изведување на работите.

л) При работа, каде што елементот за брусење може да влезе во контакт со покриени кабли под напон, секогаш држете ја електричната алатка за изолираните површини на дршките. При контакт со кабел под напон, металните делови на електричниот алат доаѓаат под напон и можат да предизвикаат струен удар на лицето што ракува со нив.

м) Никогаш не го оставајте електро-орудието ако орудие то за применување не е дојдено во потполно мирување. Орудие то за примена кое што се врти може да дојде во контакт со подлогата за оставање со што би можеле да ја изгубите контролата врз електро-орудието.

н) Не оставајте го електро-алатот да работи додека го носите. Вашата облека може да биде закачена преку случаен контакт со приборот што се врти, при што тој може да навлезе во вашето тело.

о) Редовно чистете го отворот за проветрување на вашиот електро-алат. Вентилаторот на моторот влече прашина во куќиштето, а големо насобирање на метална прашина може да предизвика електрични опасности.

р) Не употребувајте орудие за примена, кои што изискуваат течни средства за ладење. Употребата на вода или други течни средства за ладење може да доведат до електричен удар.

Понамозни упатства за безбедност при применувањето на брусењето со делење

Повратен удар и соодветни напомени за безбедност

Повратниот удар претставува ненадејна реакција како последица на диск за брусење кој што при вртењето е заглавен или блокиран. Заглавувањето или блокирањето доведува до нагло стопирање на ротирачкото применето орудие. На тој начин

неконтролирано електрично орудие се забрзува наспроти правецот на вртење на применетото орудие кај местото на блокирање.

Доколку, на пример, диск за брусење е заглавен или блокиран во материјалот, работ на дискот за брусење што навлегува во материјалот, може да се закачи и на тој начин да дојде до излегување на дискот или да се предизвика повратен удар. Во таков случај дискот за брусење се движи или кон операторот или настрана од него, зависно од насоката на вртење на дискот во точката на спојување. Притоа дисковите за брусење можат исто така и да се скршат.

Повратен удар претставува последица од погрешна или неисправна употреба на електро-алатот. Тој може да биде избегнат со соодветни мерки на претпазливост, како што се опишани подолу.

а) Држете го електро-алатот цврсто и поставете ги вашето тело и вашите раце во позиција, со која ќе можете да дадете отпор на силите од повратниот удар. Секогаш употребувајте ја додатната рачка, доколку постои, за да можете да имате максимална можна контрола над силите од повратниот удар или на моментите на реакција при пуштање во работа. Операторот може да ги контролира силите на повратниот удар и реакционите сили со преземање соодветни мерки на претпазливост.

б) Никогаш не поставувајте ја вашата рака во близина на прибор што се врти. Во случај на повратен удар, приборот може да биде исфрлен врз вашата рака.

в) Избегнувајте го подрачјето пред и позади ротирачкиот диск за делење. Повратниот удар го тера електричното орудие во правец наспроти движењето на дискот за брусење кај местото на блокирање.

д) Работете особено внимателно кај агли, остри рабови итн. Спречувајте ситуации, во кои приборот се одбива од и заглавува во материјалот за обработка. Кај агли, остри рабови или во случај на одбивање ротирачкиот прибор е склон кон заглавување. Тоа предизвикува губење на контролата или повратен удар.

е) Не употребувајте ланцест или запчест лист за пилење ниту пак сегментиран дијамантен диск со повеќе од 10 мм широки шлицови. Такви применети орудие често предизвикуваат повратен удар или губење на контролата врз електричното орудие.

ф) Избегнувајте заглавување на дискот за делење или премногу висок контакттен притисок. Не изведувајте претерано длабоки засеци. Преоптоварувањето на дискот за делење го зголемува неговиот напор и чувствителноста за извртување или блокирање, а со тоа и на можноста за повратен удар или за кршење на телото за брусење.

г) Доколку дискот за делење се заглави или доколку прекинете со работа, исклучете го електро-алатот и држете го мирно сè додека дискот не постигне состојба на мирување. Никогаш не обидувајте се, да го извлечете дискот од засекот додека се врти, во спротивно може да дојде до повратен удар. Констатирајте и отстранете ја причината за заглавувањето.

х) Не вклучувајте го електро-алатот повторно, сè додека истиот се наоѓа во материјалот за обработка. Дозволете дискот да го достигне целиот број на вртежи, пред внимателно да го продолжите сечењето. Во спротивно дискот може да заглави, да отскокне од материјалот за обработка или да предизвика повратен удар.

и) Потпрете ги плочите или големите материјали за обработка, за да го намалите ризикот од повратен удар како резултат на заглавен диск за делење. Големи материјали за обработка може да свијат како последица на својата тежина. Материјалот за

обработка мора да биде потпран на двете страни и тоа како во близина на засекот за делење така и на работ.

ј) Бидете особено внимателни при „сечење џебови“ кај ѕидови или во други непрогледни области. Дискот што навлегува може да предизвика повратен удар при сечење во гасоводи или водоводи, понатаму во електрични водови или други објекти.

ОСТАНАТИ БЕЗБЕДНОСНИ И РАБОТНИ УПАТСТВА

Бројот на вртежи на алатот, којшто се употребува, мора да биде нај-малку толку висок како и бројот на вртежите на вашиот електро-алат.

Додатокот, којшто се врти побрзу, може да се скриша и да излета.

Употребувајте заштитна опрема. При работа со машината постојано носете заштитни очила. Се препорачува заштитна облека како: маска за заштита од прашина, заштитни ракавици, цврсти чевли што не се лизгаат, кацига и заштита за уши.

Пршината која се создава при користење на овој алат може да биде штетна по здравјето. Не ја вдишувајте. Носете соодветна заштитна маска.

Не смеат да бидат обработувани материјали кои што можат да го загрозат здравјето (на пр. азбест).

Доколку употребуваното орудие се блокира, молиме веднаш да се исклучи апаратот! Не го вклучувајте апаратот повторно додека употребуваното орудие е блокирано; притоа би можело да дојде до повратен удар со висок момент на реакција. Испитајте и отстранете ја причината за блокирањето на употребеното орудие имајќи ги во предвид напомените за безбедност.

Можни причини би можеле да се:

- Закантување во парчето кое што се обработува
 - Кршење поради продирање на материјалот кој што се обработува
 - Преоптоварување на електричното орудие
- Не фаќајте во машината кога работи.

Употребеното орудие за време на примената може да стане многу жешко.

- при менување на орудието
- при ставање на апаратот на страна

Кога работите на ѕидови, таван или под внимавајте да ги избегнете електричните, гасните и водоводни инсталации.

Извадете го батерискиот склоп пред отпочнување на каков и да е зафат врз машината.

Не ги оставајте искористените батерии во домашниот отпад и не горете ги. Дистрибутерите на Милвоки ги собираат старите батерии, со што ја штитат нашата околина.

Не ги чувајте батериите заедно со метални предмети (ризик од краток спој).

Користете исклучиво Систем GBS за полнење на батерии од GBS систем. Не користете батерии од друг систем.

Не ги отворајте насилно батериите и полначите, и чувајте ги само на суво место. Чувајте ги постојано суви.

Киселината од оштетените батериите може да истече при екстреман напон или температури. Доколку дојдете во контакт со исатата, измијте се веднаш со сапун и вода. Во случај на контакт со очите плакнете ги убаво најмалку 10 минути и задолжително одете на лекар.

Предупредување! За да избегнете опасноста од пожар, од наранувања или од оштетување на производот, коишто ги создава краток спој, не ја потопувајте во течност алатката, заменливата батерија или полначот и пазете во уредите и во батериите да не

проникнуваат течности. Корозивни или електроспроводноливи течности, како солена вода, одредени хемикалии, избелувачки препарати или производи кои содржат избелувачки супстанции, можат да предизвикаат краток спој.

СПЕЦИФИЦИРАНИ УСЛОВИ НА УПОТРЕБА

Овој пресек е наменет да се користи за намалување на различни материјали.

Не го користете овој производ на било кој друг начин освен пропишаниот за нормална употреба.

За да ја намалите опасноста од повредување, користете само дијамантски брусни тркала од тип 1 со максимална дебелина од 2,8 мм, кои можат безбедно да се користат со минимална брзина од 20.000 вртежи во минута-1. Брусни тркала од тип 1 се погодни само за странично брусење, а не за површинско брусење. Сочувајте ги сите безбедносни упатства испорачани со тркала за пресекување.

Користете ја табелата додолу за да го изберете правилното брусно тркало. Во зависност од материјалот, мора да се користат различни брусни тркала. Почитувајте ги упатствата за работа на производителот на брусното тркало.

Тип на тркалото	За брусење на
Карбидни брусни тркала	гипс картон, пластика
Тркала за пресекување	челик, нерѓосувачки челик, материјали кои не содржат железо
Дијамантски брусни тркала	плочки, бетон, цигли, керамика, влакнест цемент

ЗАШТИТА ОД ПРЕОПТОВАРУВАЊЕ

При високо оптоварување на моторот се активира заштитата од преоптоварување. За да продолжите со работа исклучете ја машината и вклучете ја повторно.

ЕУ-ДЕКЛАРАЦИЈА ЗА СООБРАЗНОСТ

Во своја сопствена одговорност изјавуваме дека под „Технички податоци“ опишаниот производ е во склад со сите релевантни прописи од регулативата 2011/65/EU (RoHS), 2014/30/EU, 2006/42/EC и следните хармонизирачки нормативни документи:

EN 60745-1:2009+A11:2010
EN 60745-2-22:2011+A11:2013
EN 55014-1:2017+A11:2020
EN 55014-2:2015
EN IEC 63000:2018

Winnenden, 2020-06-30



Alexander Krug
Managing Director



Ополномоштен за составување на техничката документација.

Techtronic Industries GmbH
Max-Eyth-Straße 10
71364 Winnenden
Germany

БАТЕРИИ

Подолг период неупотребувани комплекти батерии да се наполнат пред употреба.

Температура повисока од 50°C (122°F) го намалуваат траењето на батериите. Избегнувајте подолго изложување на батериите на високи температури или сонце (ризик од прегревање).

Клемите на полначот и батериите мора да бидат чисти.

За оптимален работен век, во употреба батериите мора да бидат целосно наполнети.

За можно подолг век на траење, апаратите после нивното полнење треба да бидат извадени од апаратот за полнење на батериите.

Во случај на складирање на батеријата подолго од 30 дена: Акумулаторот да се чува на температура од приближно 27°C и на суво место.

Акумулаторот да се складира на приближно 30%-50% од состојбата на наполнетост.

Акумулаторот повторно да се наполни на секои 6 месеци.

ЗАШТИТА ОД ПРЕОПТЕРЕТУВАЊЕ НА БАТЕРИЈАТА

Батериското пакување е опремено со заштита од преоптоварување што ја штити батеријата од преоптоварување и обезбедува долг работен век. При екстремно висок степен на употреба, електрониката на батеријата автоматски ја исклучува машината. За да продолжите со работа исклучете ја машината и вклучете ја повторно. Доколку машината не се вклучи повторно, можно е батериското пакување да е испразнето. Тогаш тоа ќе мора да биде наполнето во апаратот за полнење.

ТРАНСПОРТ НА ЛИТИУМ-ЈОНСКИ БАТЕРИИ

Литиум-јонските батерии подлежат на законските одредби за транспорт на опасни материи.

Транспортот на овие батерии мора да се врши согласно локалните, националните и меѓународните прописи и одредби.

- Потрошувачите на овие батерии може да вршат непречен патен транспорт на истите.
- Комерцијалниот транспорт на литиум-јонски батерии од страна на шпедитерски претпријатија подлежат на одредбите за транспорт на опасни материи. Подготовките за шпедиција и транспорт треба да ги вршат исклучиво соодветно обучени лица. Целокупниот процес треба да биде стручно надгледуван.

При транспортот на батерии треба да се внимава на следното:

- Осигурајте се дека контактите се заштитени и изолирани, а сето тоа со цел да се избегнат кратки споеви.
- Внимавајте да не дојде до изместување на батериите во нивната амбалажа.
- Забранет е транспорт на оштетени или протечени литиум-јонски батерии.

За понатамошни инструкции обратете се до Вашето шпедитерско претпријатие.

ОДРЖУВАЊЕ

Вентилациските отвори на машината мора да бидат комплетно отворени постојано.

Уверете се дека алатката е исклучена од напојување пред да го прикачите или отстраните сечилото.

Апаратот и заштитната направа очистете ја со сува крпа. Некои средства за чистење ја оштетуваат пластиката или други изолирани делови. Одржувајте го

апаратот чист и сув како и неизвалкан од истечено масло и масти. Проверете ја функцијата на заштитните хауби. Редовно одржување и чистење обезбедува долг век и безбедно ракување.

Користете само АЕГ додатоци и резервни делови. Доколку некои од компонентите кои не се опишани треба да бидат заменети, Ве молиме контактирајте ги сервисните агенти на АЕГ (консултирајте ја листата на адреси).

При потреба може да се побара експлозионен цртеж на апаратот со наведување на машинскиот тип и шестоцифрениот број на табличката со учинокот или во Вашата корисничка служба или директно кај Techtronic Industries GmbH, Max-Eyth-Straße 10, 71364 Winnenden, Германија.

СИМБОЛИ



ВНИМАНИЕ! ПРЕДУПРЕДУВАЊЕ!
ОПАСНОСТ!



Извадете го батерискот склоп пред отпочнување на каков и да е зафат врз машината.



Ве молиме пред да ја стартувате машината обрнете внимание на упатствата за употреба.



Носете ракавици!



Носете штитник за уши.

Секогаш при користење на машината носете ракавици.

Не ја вдишувајте. Носете соодветна заштитна маска.



Дополнителна опрема - Не е вклучена во стандардната, а достапна е како додаток.



Електричните апарати и батериите што се полнат не смеат да се фрлат заедно со домашниот отпад. Електричните апарати и батериите треба да се собираат одделно и да се однесат во соодветниот погон заради нивно фрлање во склад со начелата за заштита на околината.

Информирајте се кај Вашите местни служби или кај специјализираниот трговски претставник, каде има такви погони за рециклажа и собирни станици.



Правец на движење



Номинална брзина



Напон



Истосмерна струја



Европска ознака за сообразност



Украинска ознака за сообразност



Евроазиатска ознака за сообразност

МАКЕДОНСКИ 123

Номер виробу..... 4774 12 01...
 ...000001-999999

Номінальна кількість обертів 20000 min⁻¹



D=∅ відрізного диска 76 mm
 d = ∅ отвору 10 mm
 b = товщина відрізного диска мін./макс. 1 mm / 2,8 mm

Глибина різання макс. 16,3 mm
 Напруга знімної акумуляторної батареї 18 V
 Вага згідно з процедурою ЕРТА 01/2014 (2,0...6,0 Ah) 1,2...1,7 kg
 Рекомендована температура довкілля під час роботи -18...+50 °C
 Рекомендовані типи акумуляторів L1860R, L1850R, L1840R, L1830R, L1825R, L1820R, L1815R, L1820S
 Рекомендовані зарядні пристрої BL1218, BLK1218; AL1218G; AL18G

Шум / інформація про вібрацію (різка бетону)

Вимірні значення визначені згідно з EN 60 745.

Рівень шуму "А" приладу становить в типовому випадку:

Рівень звукового тиску (похибка K = 3 дБ(А)) 102,0 dB (A)

Рівень звукової потужності (похибка K = 3 дБ(А)) 91,0 dB (A)

Використовувати засоби захисту органів слуху!

Сумарні значення вібрації (векторна сума трьох напрямків), встановлені згідно з EN 60745.

Значення вібрації a_{h,SG} 4,2 m/s²

похибка K = 1,5 m/s²

ПОПЕРЕДЖЕННЯ!

Рівень вібрації, вказаний в цій інструкції, вимірювався згідно з методом вимірювання, нормованим стандартом EN 60745, і може використовуватися для порівняння електроінструментів. Він призначений також для попередньої оцінки навантаження від вібрації.

Вказаний рівень вібрації відповідає основним сферам використання електроінструменту. Але якщо електроінструмент використовується для іншої мети, з іншими вставними інструментами або при недостатньому технічному обслуговуванні, рівень вібрації може бути іншим. Це може значно підвищити навантаження від вібрації за весь період роботи.

Для точної оцінки навантаження від вібрації необхідно також враховувати час, коли прилад вимкнений або увімкнений, але фактично не використовується. Це може значно зменшити навантаження від вібрації за весь період роботи.

Визначте додаткові заходи безпеки для захисту оператора від дії вібрації, наприклад: Технічне обслуговування електроінструменту та вставних інструментів, зігрівання рук, організація робочих процесів.

⚠ УВАГА! Ознайомитися з усіма попередженнями з безпечного використання, інструкціями, ілюстративним матеріалом та технічними характеристиками, які надаються з цим електричним інструментом. Недотримання всіх наведених нижче інструкцій може призвести до ураження електричним струмом, пожежі та/або важких травм.

Зберігати всі попередження та інструкції для використання в майбутньому.

⚠ ВКАЗІВКИ З ТЕХНІКИ БЕЗПЕКИ ДЛЯ ЦИРКУЛЯРНИХ ПИЛОК

a) Захисний кожух, яким оснащений електроінструмент, має бути надійно закріплений та відрегульований так, щоб забезпечити максимум безпеки, тобто відкритою у напрямку оператора має бути найменша частина відрізного диска. Захисний кожух має захищати оператора від часточок матеріалу та випадкового торкання до відрізного диска.

b) Не використовуйте комплектуючі, які не передбачені або не рекомендовані виробником спеціально для цього електроінструменту. Той факт, що комплектуючі вдається закріпити в електроінструменті, ще не гарантує їх безпечного використання.

c) Допустима кількість обертів вставного інструменту має бути не меншою, ніж максимальна кількість обертів, вказана на електроінструменті. Комплектуючі, що обертаються швидше, ніж дозволено, можуть зламатися і відлетіти.

d) Шліфувальні інструменти можна використовувати тільки для рекомендованих робіт. Наприклад: Ніколи не здійснюйте шліфування боковою поверхнею відрізного диска. Відрізни диски призначені для зняття матеріалу кромкою диска. Прикладання сили збоку до цих шліфувальних інструментів може спричинити їхню поломку.

e) Завжди використовувати непошкоджені затиски фланці необхідного розміру та форми для вибраного шліфувального диска. Відповідні фланці створюють опору для відрізного диска та знижують небезпеку поломки відрізного диска.

f) Не використовувати зношені шліфувальні диски від більшого електроінструмента. Шліфувальні диски для великих електроінструментів не розраховані на велику кількість обертів менших електроінструментів; вони можуть зламатися.

g) Зовнішній діаметр та товщина вставного інструмента повинні відповідати даним вашого електроінструмента. Неправильний розмір вставних інструментів може бути причиною того, що вони недостатньо закриті захисними пристроями або їх важко контролювати.

h) Шліфувальні диски, шліфувальні вали та інші комплектуючі повинні точно підходити до шліфувального шпинделя або цангового затискача електроінструмента. Вставні інструменти, що не точно підходять до шліфувального шпинделя електроінструменту, обертаються нерівномірно, дуже сильно вібрують та можуть призвести до втрати контролю.

124 УКРАЇНСЬКА

і) Не використовувати пошкоджені вставні інструменти. Перед кожним використанням перевіряйте вставні інструменти, наприклад, шліфувальні диски, на наявність сколів та тріщин, шліфувальні тарілчасті диски на наявність тріщин, ознаки зносу або сильного стирання, дотрані щітки на наявність незакріплених або поламаних дрітків. Якщо електроінструмент або вставний інструмент впаде, перевірте, чи він не пошкоджений, або використовуйте непошкоджений вставний інструмент. Якщо ви перевірили та встановили вставний інструмент, вам та особам, які знаходяться поблизу, необхідно триматися поза зоною дії вставного інструменту, що обертається, і нехай електроінструмент одну хвилину попрацює з максимальною частотою обертів. Пошкоджені вставні інструменти у більшості випадків ламаються під час такого випробування.

ж) Носити індивідуальні засоби захисту. Залежно від виду робіт користуватися маскою для захисту всього обличчя, засобом для захисту очей або захисними окулярами. Якщо необхідно, одягніть маску для захисту від пилу, засоби захисту органів слуху, захисні рукавиці або спеціальний фартух, який затримує малі частинки від шліфування та часточки матеріалу.

Необхідно захищати очі від часточок та деталей, що можуть відлітати під час різних видів застосувань. Фільтруюча захисна маска або маска для захисту від пилу необхідні для фільтрації пилу, що виникає під час роботи. Якщо на органи слуху тривалий час діє гучний шум, це може призвести до втрати слуху.

к) Зверніть увагу, що інші особи мають дотримуватися безпечної відстані від вашої робочої області. Кожний, хто входить в робочу область, повинен одягти індивідуальні засоби захисту. Частинки заготовки або уламки вставних інструментів можуть відлітати та спричинити травми навіть за межами безпосередньої робочої області.

л) Під час роботи, коли шліфувальна голівка може контактувати з прихованими дротами, що перебувають під напругою, завжди тримайте електроінструмент за ізольовані поверхні для утримування. При контакті з електрокабелем під напругою металеві частини електроінструменту самі можуть проводити струм та спричинити ураження оператора електричним струмом.

м) Ніколи не кладіть електроінструмент, доки вставний інструмент не зупиниться повністю. Вставний інструмент, який обертається, може зіткнутися із поверхнею стійки, що може призвести до втрати контролю над електроінструментом.

н) Через випадкове торкання вставний інструмент, який обертається, може зачепити ваш одяг, а також вірізатися в тіло.

о) Регулярно чистити вентиляційні отвори електроінструменту. Вентилятор двигуна втягує в корпус пил, велике скупчення металевого пилу може призводити до небезпеки, пов'язаної з електричними приладами.

р) Не використовувати вставні інструменти, які вимагають рідких засобів для охолодження. Використання води або інших рідких охолоджувальних засобів може призвести до ураження електричним струмом.

Подальші особливі вказівки з техніки безпеки для відрізного шліфування:

Віддача та відповідні вказівки з техніки безпеки

Віддача - це раптова реакція внаслідок заклинювання або блокування вставного інструмента, який обертається. Заклинювання або блокування веде до раптової зупинки вставного інструмента, який обертається. Внаслідок цього неконтрольований електроінструмент отримує прискорення в напрямку,

протилежному напрямку обертання вставного інструмента в точці блокування.

Коли, наприклад, шліфувальний диск заклинюється або блокується в заготовці, край шліфувального диска, який занурений в заготовку, може зачепитися і зірвати шліфувальний диск або спричинити віддачу.

Шліфувальний диск після цього рухається в напрямку до оператора або від нього, залежно від напрямку обертання диска в точці блокування. Шліфувальні диски можуть в цьому випадку також зламатися.

Віддача є наслідком неправильного або помилкового використання пилки. Її можна попередити відповідними запобіжними заходами, як описано нижче.

Міцно тримати електроінструмент, тіло та руки мають бути в такому положенні, при якому вони можуть компенсувати сили віддачі. Завжди використовувати додаткову рукоятку, якщо вона є, щоб в максимальній мірі контролювати сили віддачі або зворотні моменти при розгоні.

Користувач може відповідними запобіжними заходами управляти віддачею та зворотними силами.

Ніколи не наближати руки до вставних інструментів, які обертаються.

Вставний інструмент може при віддачі вирватися з рук.

Триматися за межами ділянки, куди рухається електроінструмент при віддачі.

Віддача спрямовує електроінструмент в напрямку, протилежному напрямку руху шліфувального диска в місці блокування.

Особливо обережно слід працювати на ділянках кутів, гострих кромок та ін. Забудьте про відскакування від заготовки та заклинювання вставних інструментів.

Вставний інструмент, який обертається, може заклинюватися на кутах, гострих кромках або при відскоках. Це призводить до втрати контролю та до віддачі.

Не використовувати ланцюгове або зубчате пилкове полотно.

Такі вставні інструменти часто спричиняють віддачу або втрату контролю над електроінструментом.

Уникати блокування відрізного диска або занадто сильного притискання. Не виконувати занадто глибокі розрізи. Перевантаження відрізного диска підвищує ризик утворення внутрішнього напруження та схильності до перекосу або блокування, які в свою чергу призводять до віддачі або поломки шліфувального інструменту.

Якщо відрізний диск заклинюється або ви перериваєте роботу, вимкніть електроінструмент та тримайте його спокійно, доки диск не зупиниться.

Ніколи не намагайтеся витягнути відрізний диск з розрізу, доки він обертається, інакше може статися віддача.

Визначити та усунути причину заклинювання.

Не вимкати повторно електроінструмент, доки він знаходиться в заготовці. Відрізний диск має спочатку досягти повної кількості обертів, перш ніж обережно продовжувати різання. Інакше диск може застрягнути, вийти з заготовки або спричинити віддачу.

Під плити або великі заготовки необхідно ставити опори, щоб зменшити ризик віддачі через заклинювання відрізного диска. Великі заготовки можуть прогинатися під власною вагою. Заготовка повинна мати опору з обох боків, поблизу розрізу та на краю.

Будьте особливо обережні при виконанні "кишень" в змонтованих стінах або на інших ділянках з поганим оглядом. Занурювальний відрізний диск може спричинити віддачу при різанні газових та водяних трубопроводів або електричних ліній чи інших об'єктів.

ДОДАТКОВІ ІНСТРУКЦІЇ З ТЕХНІКИ БЕЗПЕКИ ТА ЕКСПЛУАТАЦІЇ

Допустима кількість обертів вставного інструменту має бути не меншою, ніж максимальна кількість обертів, вказана на електроінструменті.
Комплектуючі, що обертаються швидше, ніж дозволено, можуть зламатися і відлетіти.

Використовуйте індивідуальні засоби захисту. Під час роботи з машиною завжди носити захисні окуляри. Радимо використовувати захисний одяг, як наприклад маску для захисту від пилу, захисні рукавиці, міцне та нековзне взуття, каску та засоби захисту органів слуху.

Пил, що утворюється під час роботи, часто буває шкідливим для здоров'я; він не повинен потрапляти в організм. Носити відповідну маску для захисту від пилу.

Не можна обробляти матеріали, небезпечні для здоров'я (наприклад, азбест).

При блокуванні вставного інструменту негайно вимкнути прилад! Не вмикайте прилад, якщо вставний інструмент заблокований; при цьому може виникати віддача з високим зворотнім моментом. Визначити та усунути причину блокування вставного інструменту з урахуванням вказівок з техніки безпеки.

Можливі причини:

- Перекіс в заготовці, що обробляється
- Пробивання оброблюваного матеріалу
- Перевантаження електроінструмента

Частини тіла не повинні потрапляти в машину, коли вона працює.

Вставний інструмент може нагріватися під час роботи.

- при заміні інструменту
- при відкладанні приладу

Під час роботи на стінах, стелях або підлозі звертати увагу на електричні кабелі, газові та водопровідні лінії.

Перед будь-якими роботами на машині вийняти змінну акумуляторну батарею

Відпрацьовані знімні акумуляторні батареї не можна кидати у вогонь або викидати з побутовими відходами. AEG пропонує утилізацію старих знімних акумуляторних батарей, безпечно для довкілля; зверніться до свого дилера.

Не зберігати знімні акумуляторні батареї разом з металевими предметами (небезпека короткого замикання).

Знімні акумуляторні батареї системи GBS заряджати лише зарядними пристроями системи GBS. Не заряджати акумуляторні батареї інших систем.

Не відкривати знімні акумуляторні батареї і зарядні пристрої та зберігати їх лише в сухих приміщеннях. Беретти від вологи.

При екстремальному навантаженні або при екстремальній температурі з пошкодженою змінною акумуляторної батареї може витікати електроліт. При потрапленні електроліту на шкіру його негайно необхідно змити водою з милом. При потрапленні в очі їх необхідно негайно ретельно промити, щонайменше 10 хвилин, та негайно звернутися до лікаря.

Попередження! Для запобігання небезпеці пожежі в результаті короткого замикання, травматичного пошкодження виробів не занурюйте інструмент, змінний акумулятор або зарядний пристрій у рідину і не допускайте потраплення рідини всередину пристроїв або акумуляторів. Корозійні і струмопровідні рідини, такі як солоний розчин, певні хімікати, вибілювальні засоби або продукти, що їх містять, можуть призвести до короткого замикання.

ВИКОРИСТАННЯ ЗА ПРИЗНАЧЕННЯМ

Цей відрізний інструмент призначений для обробки різних матеріалів.

Цей прилад можна використовувати тільки за призначенням так, як вказано в цьому документі.

Щоб звести до мінімуму ризик травми, використовуйте тільки діамантові шліфувальні диски типу 1 з максимальною товщиною 2,8 мм, які можна безпечно експлуатувати при мінімальній швидкості 20 000-1 об/хв. Шліфувальні диски типу 1 придатні лише для бічного шліфування, не для плоского шліфування. Дотримуйтеся усіх інструкцій з техніки безпеки, наданих до відрізного шліфувального диска.

Скористайтеся оглядом нижче, щоб вибрати правильний шліфувальний диск. Залежно від матеріалу слід використовувати різні шліфувальні диски. Дотримуйтеся інструкцій з експлуатації виробника шліфувального диска.

Тип диска	Шліфування
Карбідний шліфувальний диск	Гіпсокартон, пластик
Відрізні диски	Сталь, нержавіюча сталь, матеріали, що не містять залізо
Діамантові шліфувальні диски	Плитка, бетон, цегла, кераміка, волокнистий цемент

ЗАХИСТ ВІД ПЕРЕВАНТАЖЕННЯ

При сильному перевантаженні двигуна спрацює захист від перевантаження. Для продовження роботи вимкнути і знову увімкнути машину.

СЕРТИФІКАТ ВІДПОВІДНОСТІ ВИМОГАМ ЄС

Ми заявляємо на власну відповідальність, що виріб, описаний в „Технічних даних“, відповідає всім застосовним положенням директиви 2011/65/EU (RoHS), 2014/30/EU, 2006/42/EG, та наступним гармонізованим нормативним документам:

EN 60745-1:2009+A11:2010
EN 60745-2-22:2011+A11:2013
EN 55014-1:2017+A11:2020
EN 55014-2:2015
EN IEC 63000:2018

Winnenden, 2020-06-30


Alexander Krug
Managing Director



Уповноважений із складання технічної документації.

Techtronic Industries GmbH
Max-Eyth-Straße 10
71364 Winnenden
Germany

АКУМУЛЯТОРНІ БАТАРЕЇ

Знімну акумуляторну батарею, що не використовувалася тривалий час, перед використанням необхідно підзарядити.

Температура понад 50 °C зменшує потужність знімної акумуляторної батареї. Уникати тривалого нагрівання сонячними променями або системою обігріву.

З'єднувальні контакти зарядного пристрою та знімної акумуляторної батареї повинні бути чистими.

126 УКРАЇНСЬКА

Для забезпечення оптимального строку експлуатації акумуляторні батареї після використання необхідно повністю зарядити.

Для забезпечення максимально можливого терміну експлуатації акумуляторні батареї після зарядки необхідно виймати з зарядного пристрою.

При зберіганні акумуляторної батареї понад 30 днів: Зберігати акумуляторну батарею при температурі приблизно 27 °C в сухому місці.

Зберігати акумуляторну батарею в стані зарядки приблизно 30-50 %.

Кожні 6 місяців заново заряджати акумуляторну батарею.

ЗАХИСТ АКУМУЛЯТОРНОЇ БАТАРЕЇ ВІД ПЕРЕВАНТАЖЕННЯ

Акумуляторний блок оснащений захистом від перевантаження, який захищає акумуляторну батарею від перевантаження і забезпечує тривалий термін експлуатації.

При надзвичайно великих навантаженнях робоча лампочка блимає, що свідчить про перевантаження. Якщо навантаження не зменшується, машина автоматично вимикається. Для продовження роботи вимкнути і знов увімкнути машину. Якщо машина не вмикається, можливо, розряджений акумуляторний блок, його необхідно знову зарядити в зарядному пристрої.

ТРАНСПОРТУВАННЯ ЛІТІЙ-ІОННИХ АКУМУЛЯТОРНИХ БАТАРЕЙ

Літій-іонні акумуляторні батареї підпадають під законоположення про перевезення небезпечних вантажів.

Транспортування таких акумуляторних батарей повинно відбуватися із дотриманням місцевих, національних та міжнародних приписів та положень.

- споживачі можуть без проблем транспортувати ці акумуляторні батареї по вулиці.
 - Комерційне транспортування літій-іонних акумуляторних батарей експедиторськими компаніями підпадає під положення про транспортування небезпечних вантажів. Підготовку до відправлення та транспортування можуть здійснювати виключно особи, які пройшли відповідне навчання. Весь процес повинні контролювати кваліфіковані фахівці.
- При транспортуванні акумуляторних батарей необхідно дотримуватись зазначених далі пунктів:

- Переконайтеся в тому, що контакти захищені та ізольовані, щоб запобігти короткому замиканню.
 - Слідкуйте за тим, щоб акумуляторна батарея не переміщувалася всередині упаковки.
 - Пошкоджені акумуляторні батареї, або акумуляторні батареї, що потекли, не можна транспортувати.
- Для отримання подальших вказівок звертайтеся до своєї експедиторської компанії.

ОБСЛУГОВУВАННЯ

Завжди підтримувати чистоту вентиляційних отворів.

Переконайтеся в тому, що прилад від'єднаний від джерела живлення, перш ніж встановлювати або знімати пилковий диск.

Чистити прилад та захисний пристрій сухою серветкою. Деякі засоби для чищення завдають шкоду полімерному матеріалу або іншим ізольованим деталям. Тримати прилад в чистому та сухому стані, з нього не повинні витікати олива або мастило. Перевірте функціонування захисних кожухів. Регулярне технічне обслуговування та чищення забезпечують тривалий термін експлуатації та безпечну роботу.

Використовувати комплектуючі та запчастини тільки від AEG. Деталі, заміна яких не описується, замінювати тільки в відділі обслуговування клієнтів AEG (зверніть увагу на брошуру "Гарантія / адреси сервісних центрів").

У разі необхідності можна запросити креслення з зображенням вузлів машини в перспективному вигляді, для цього потрібно звернутися в ваш відділ обслуговування клієнтів або безпосередньо в Techtronic Industries GmbH, Max-Eyth-Strasse 10, 71364 Winnenden, Німеччина, та вказати тип машини та шестизначний номер на фірмовій табличці з даними машини.

СИМВОЛИ



УВАГА! ПОПЕРЕДЖЕННЯ! НЕБЕЗПЕЧНО!



Перед будь-якими роботами на машині вийняти змінну акумуляторну батарею



Уважно прочитайте інструкцію з експлуатації перед введенням приладу в дію.



Носити захисні рукавиці!



Використовувати засоби захисту органів слуху!

Під час роботи з машиною завжди носити захисні окуляри.

Носити відповідну маску для захисту від пилу.



Комплектуючі - не входять в обсяг постачання, рекомендовані доповнення з програми комплектуючих.



Електроприлади, батареї/акумулятори заборонено утилізувати разом з побутовим сміттям. Електричні прилади і акумулятори слід збирати окремо і здавати в спеціалізовану компанію для утилізації відповідно до норм охорони довкілля. Зверніться до місцевих органів або до вашого дилера, щоб отримати адреси пунктів вторинної переробки та пунктів прийому.



Напрямок обертання



Розрахункова кількість обертів



Напруга



Постійний струм



Європейський знак відповідності



Український знак відповідності



Євразійський знак відповідності

УКРАЇНСЬКА 127

إعلان المطابقة - الاتحاد الأوروبي

بموجب هذا نقر على مسؤوليتنا المفردة، أن المنتج المذكور الموصوف تحت "البيانات الفنية" يلي
جميع التعليمات الهامة الخاصة بالمعايير
2011/65EU, 2014/30/EG, 2006/42/EG
ويتطابق مع وثائق المعايير المتوافقة التالية:
EN 60745-1:2009+A11:2010
EN 60745-2-22:2011+A11:2013
EN 55014-1:2017+A11:2020
EN 55014-2:2015
EN IEC 63000:2018

Winnenden, 2020-06-30



Alexander Krug

Alexander Krug
Managing Director

معمدة للمطابقة مع الملف الفني
Techtronic Industries GmbH
Max-Eyth-Straße 10
Winnenden 71364
Germany

البطاريات

يجب إعادة شحن البطارية غير المستخدمة لفترة قبل الاستخدام.
تقل درجات الحرارة التي تتجاوز 50° سيلزيوس (122° فهرنهايت) من أداء البطارية. تجنب التعرض للزائد للحرارة أو أشعة الشمس (خطر التسخين).
يجب الحفاظ على محتويات الشواحن و البطاريات نظيفة.
للحصول على فترة استخدام مثالية، يجب شحن البطاريات تماماً، بعد الاستخدام.
للحصول على أطول عمر ممكن للبطارية، انزع البطارية من الشاحن بمجرد شحنها تماماً.
لتخزين البطارية أكثر من 30 يوم:
خزن البطارية بحيث تكون درجة الحرارة أقل من 27° سيلزيوس وبعيدا عن أي رطوبة.
خزن البطارية مشحونة بنسبة تتراوح بين 30-50 %
اشحن البطارية كالمعتاد، وذلك كل ستة أشهر من التخزين.

حماية البطارية

البطارية مزودة بألية للحماية من الحمل الزائد لحمايتها من الحمل الزائد ما يساعد على طول عمرها.
وعند الضغط الزائد، تضيء أضواء العمل لكي تشير إلى وجود حمل زائد. وإذا لم يتم تخفيف الحمل، سوف تتوقف الآلة عن العمل تلقائياً. لإعادة التشغيل ثانية، قم بإيقاف الجهاز ثم تشغيله مجدداً. إذا لم يبدأ تشغيل الجهاز من جديد، فقد يعني هذا أن شحن البطارية قد نفذ تماماً. في هذه الحالة يجب إعادة شحنها بشاحن البطارية.

نقل بطاريات الليثيوم

تخضع بطاريات الليثيوم أيون لشروط قوانين نقل السلع الخطرة.
ويجب نقل هذه البطاريات وفقاً للأحكام والقوانين المحلية والوطنية والدولية.
• يمكن للمستخدم نقل البطاريات براً دون الخضوع لشروط أخرى.
• يخضع النقل التجاري لبطاريات الليثيوم أيون عن طريق الغير إلى قوانين نقل السلع الخطرة. يتعين أن يقوم أفراد مدربيون جيداً بالإعداد لعملية النقل والقيام بها بصحة خبراء مثلهم.
متى تُنقل البطاريات:
• عند التأكد من حماية أطراف توصيل البطارية وعزلها تجنباً لحدوث قصر بالذات.
• عند التأكد من حماية حزمة البطارية من الحركة داخل صندوق التعبئة.
• يُرجى عدم نقل البطاريات التي بها تشققات أو تسربات.
يُرجى البحث مع شركة الشحن عن نصيحة أخرى

الصيانة

يجب أن تكون فتحات تهوية الجهاز نظيفة طوال الوقت.
تأكد من فصل الأداة من مزود الطاقة قبل تركيب أو إزالة شفرة المنشار.

نظف الجهاز وحاجب الحماية بغوطة جافة. بعض مواد التنظيف تؤدي إلى ضرر بالبلاستيك أو الأجزاء المعزولة. حافظ على الجهاز نظيفاً جافاً وخالي من الزيوت والشحوم الخارجة. افحص أداء حاجب الحماية. الصيانة الدورية المنتظمة والتنظيف يضمنان العمر الطويل والاستخدام الآمن للجهاز.

استخدم ملحقات AEG وقطع الغيار التابعة لها فقط. إذا كانت المكونات التي يجب تغييرها غير مذكورة، يرجى الاتصال بأحد عملاء صيانة AEG (انظر قائمة عناوين الضمان/الصيانة الخاصة بنا).

عند الحاجة يمكن طلب رمز انفجار الجهاز بعد ذكر طراز الآلة والرقم السداسي المذكور على بطاقة طاقة الآلة لدى جهة خدمة العملاء أو مياشرة لدى شركة

Techtronic Industries GmbH
Max-Eyth-Straße 10
Winnenden 71364
ألمانيا

زومرلا



تنبيه! تحذير! خطر!



قم بإزالة حزمة البطارية قبل البدء في أي أعمال على الجهاز.



يرجى قراءة التعليمات بعناية قبل بدء تشغيل الجهاز.



ارتد القفازات!



ارتد واقيات الأذن!
ارتد دائماً نظارات الوقاية عند استخدام الجهاز.
لا تستنشق هذه الأتربة. ارتد قناعاً واقياً من الأتربة مناسباً.



الملحق - ليس مدرجاً كمعدة قياسية، متوفر كملحق.



يحظر التخلص من الأجهزة الكهربائية والبطاريات/البطاريات القابلة للشحن في القمامة المنزلية. يجب جمع الأجهزة الكهربائية والبطاريات القابلة للشحن منفصلة وتسليمها للتخلص منها بشكل لا يضر بالبيئة لدى شركة إعادة استغلال.
الرجاء الاستفسار لدى الهيئات المحلية أو لدى التجار المتخصصين عن مواقع إعادة الاستغلال ومواقع الجمع.



اتجاه الدوران



السرعة المقترنة



الجهد الكهربائي



التيار المستمر



علامة التوافق الأوروبية



علامة التوافق الأوكرائية



علامة التوافق الأوروبية الآسيوية

عربي

129

(p) لا تستخدم الملحقات التي تتطلب تبريد باستخدام سائل التبريد. فقد يؤدي استخدام الماء أو سوائل التبريد إلى حدوث صدمة كهربائية.

الارتداد والتحويزات المتوقعة به

الارتداد هو رد الفعل المفاجئ أو إعاقة قرص التدوير أو حشية الدعم أو الفرشاة أو أي ملحقات أخرى. يؤدي الضغط أو إعاقة الحركة إلى التوقف المفاجئ للملحقات الدوارة مما يؤدي بدوره إلى فقدان السيطرة على الآلة واندفاعها بالاتجاه المعاكس لحركة الملحقات الدوارة عند إعاقتها.

على سبيل المثال، إذا ما أغيقت حركة العجلة الكاشطة أو تعرضت للضغط بواسطة القطعة التي يتم العمل عليها، فإن حافة القرص الذي يدخل في نقطة الضغط يمكن أن يحفر في سطح المادة مما يجعل القرص يندفع للخارج أو يتحرك خارجاً. قد يندفع القرص باتجاه المشغل أو بعيداً عنه، تبعاً لاتجاه حركة القرص في نقطة الضغط. قد تنكسر أقراص الكشط في ظل تلك الظروف.

ينتج الارتداد عن الاستخدام الخاطئ للمنتج و/أو إجراءات أو حالات التشغيل غير الصحيحة ويمكن تجنب هذا الارتداد باتخاذ التدابير الموضحة أدناه.

(a) اعمل على إمساك الآلة الكهربائية بإحكام ووظف جسمك وذراعك لمساعدتك على مقاومة قوى الارتداد. استخدم دائماً مقبض إضافي، إن وجد، للحصول على أقصى مستوى من التحكم في الارتداد أو رد فعل عزم الدوران عند بدء التشغيل. يستطيع المشغل التحكم في قوى رد فعل العزم أو الارتداد، إذا ما اتخذ التدابير اللازمة.

(b) لا تضع يدك أبداً بالقرب من الملحقات الدوارة.

فقد ترتد القطعة الملحقة على يدك.

(c) لا تضع جسمك في منطقة حيث يمكن أن تتحرك الآلة إذا ما حدث ارتداد.

(d) سيعمل الارتداد على تحريك الآلة بالاتجاه المعاكس لاتجاه حركة العجلة عند نقطة الإعاقة.

(e) توخ الحذر الشديد عند العمل في الزوايا والحواف الحادة وغيرها. حاول تجنب حتمل مع العمل في الزوايا والحواف الحادة أو الارتداد حدوث إعاقة للقطعة الدوارة مما يسبب فقدان السيطرة والارتداد.

(f) لا تركيب سلسلة مشنار أو شفرة تحت الخشب أو شفرة مشنار مستنبة. فمثل هذه الشفرات تؤدي إلى حدوث ارتدادات مفاجئة وفقدان السيطرة على الآلة الكهربائية.

تحذيرات السلامة المحددة لعمليات الجليخ والشط والقطع:

(a) استخدم فقط أنواع الأقراص الموصى بها لأنك الكهربائية والواقي الخاص الصمم للقرص المحدد. الأقراص التي لم يتم تصميمها للآلة الكهربائية لا يمكن أن تتناسب مع الواقي كما أنها غير آمنة.

(b) أقراص التجليخ المتحركة يجب تركيبها بحيث يكون سطح التجليخ الخاص بها لا يعطو مستوى حافة حاجب الحماية. قرص التجليخ الذي تم تركيبه بشكل غير صحيح والذي يعطو حافة حاجب الحماية، لا يمكن حجبها بشكل كافي.

(c) يتعين أن يكون الواقي موصولاً بالآلة بإحكام في الوضع الصحيح لتوفير أقصى مستوى من الحماية، بحيث يكون أقل قدر من قرص القطع موجه نحو المشغل. يساعد الواقي في حماية المشغل من الشظايا التي قد تنتج عن كسر قرص القطع والتلامس العرضي مع القرص.

(d) يتعين استخدام الأقراص في التطبيقات الموصى بها فقط على سبيل المثال: لا تستخدم جانب القرص في التجليخ. صممت الأقراص الكاشطة لأغراض الجليخ المحيطي، حيث قد يؤدي إعمال مع هذه الأقراص إلى كسرها.

(e) استخدم دائماً أقراص ذات حواف سليمة والتي يتناسب حجمها وشكلها مع القرص المختار. تدعم حواف القرص المناسبة القرص في نقله وبالتالي احتمالية كسر القرص. قد تختلف أطراف أقراص القطع عن أطراف أقراص الجليخ.

إرشادات أمان وعمل إضافية

يتعين أن تساوي السرعة المقررة لقطع الملحقات على الأقل الحد الأعلى للسرعة المحددة على الآلة الكهربائية.

فقد يؤدي تشغيل الملحقات بسرعة أعلى من السرعة المقررة لها إلى كسرها أو تفتتها وتأثير شظاياها.

استخدم معدة الوقاية. ارتد دائماً نظارة الوقاية عند العمل بالآلة. ينصح باستخدام الملابس الواقية مثل الكمادات الواقية من الغبار، والقفازات، والأحذية القوية غير المنزلفة، والخوذات، وواقبات الأذن.

قد تكون الأتربة الناتجة عن استخدام هذه الآلة ضارة بالصحة. لا تستنشق هذه الأتربة. ارتد قناعاً واقياً من الأتربة مناسباً.

لا يجوز استخدام مواد ينجم عنها أضرار على الصحة (حريز صخري).

الرجاء إيقاف تشغيل الجهاز على الفور في حالة عرقلة أداة الاستعمال!

لا تقم بتشغيل الجهاز مرة أخرى، طالما أن الأداة المستعملة لازالت في حالة عرقلة؛ حيث يمكن أن يحدث هذا ارتداد عكسي مصحوب بقوة رد فعل عالية. قم بالبحث وإزالة أسباب عرقلة أداة الاستعمال مع مراعاة تعليمات الأمان.

من المحتمل أن تكون الأسباب هي:

- انحداد في القطعة المخصصة للاستعمال
- اختراق المواد المخصصة للاستعمال

• زيادة الحمل على الآلة الكهربائية

لا تلامس بيدك الماكينة أثناء دورانها.

الأداة المستخدمة قد تسخن خلال الاستخدام.

• عند استبدال الأداة

• عند وضع الجهاز

• عند العمل في سقف الحوائط أو الأرضية، توخ الحذر وتجنب الكابلات الكهربائية وأنابيب الغاز أو المياه.

• قم بإزالة حزمة البطارية قبل البدء في أي أعمال على الجهاز.

لا تتخلص من البطاريات المستعملة مع النفايات المنزلية أو بحرقها. يقدم موزع ميلوكي خدمة استعادة البطاريات القديمة لحماية البيئة.

لا تقم بتخزين البطارية مع الأشياء المعدنية (خطر قصر الدائرة)..

استخدم فقط شواحن System GBS لشحن بطاريات System GBS. لا تستخدم بطاريات من أنظمة أخرى.

لا تقم أبداً بفتح قفل البطارية والشواحن ولا تخزنها إلا في غرف جافة. وحافظ عليها جاف طوال الوقت.

قد يتسرب حامض البطارية من البطاريات التالفة في ظروف الحمل الزائد بدرجة كبيرة أو في درجات الحرارة الشديدة. في حالة ملامسة حامض البطارية اغسل بيدك فوراً بالماء والصابون. في حالة ملامسة السائل للعينين اشطفهما جيداً لمدة 10 دقائق على الأقل وأطلب العناية الطبية فوراً.

تحذير! لتجنب أخطار الحريق أو الإصابة أو الإضرار بالمنتج التي تنجم عن الماس الكهربائي، لا تقم بالأداة أو البطارية القابلة للاستبدال أو جهاز الشحن في السوائل وأحرص على أن لا تصل السوائل إلى داخل الجهاز والبطارية. السوائل المؤدية للتآكل أو الموصلة لتليخ الكهربائي، مثل الماء والملح ومركبات كيميائية معينة ومواد التبييض أو المنتجات التي تشتمل على مواد تبيض، يمكن أن تؤدي إلى حدوث ماس كهربائي.

شروط الاستخدام المحددة

تهدف أداة القطع هذه إلى قطع المواد المختلفة.

لا تستخدم هذا المنتج بأي طريقة أخرى غير مصرح بها للاستخدام العادي.

أقراص التجليخ من طراز 1 مناسبة لتجليخ الجانب فقط وليس لتجليخ السطح. يرجى مراعاة جميع تعليمات السلامة التي يتم توريدها مع أقراص التجليخ والقطع.

استخدم الجدول التالي لاختيار قرص التجليخ المناسب. قتبعا للمادة يجب استخدام أقراص التجليخ المختلفة. يرجى مراعاة تعليمات الاستخدام الصادرة من الشركة المنتجة لقرص التجليخ.

تجليخ مواد من	طراز القرص
الأواح الكرتون الجبس، اللدائن الصناعية البلاستيك	قرص تجليخ كريد
حديد، معدن سائلس ستيل، مواد لا تتحمل على الحديد	قرص قطع بالتجليخ
بلاط، خرسانة مسلحة، طوب أحمر، فخار، الأسمنت الليفي	قرص تجليخ ماسي

حماية الحمل الزائد

إذا تم تحميل المحرك بحمل زائد، فإن وقاية الحمل الزائد سوف تعمل على تشغيله لاستمرار العمل، قم بإيقاف الجهاز ثم تشغيله مجدداً.

إنتاج عدد	4774 12 01...
الحد الأقصى للسرعة المقدرة	000001-999999... 20000 min ⁻¹
D=قطع عجلة-ø	76 mm
d=قطر تجويف القرص	10 mm
b _h =سمك قرص الفصل	1 mm / 2,8 mm
أقصى عمق للقطع	16,3 mm
فرطية البطارية	18 V
الوزن وفقا لنهج EPTA رقم (Ah 6,0...2,0) 01/2014	1,2...1,7 kg
درجة حرارة الجو المحيط المنصوح بها عند العمل	+50 °C...-18
طراز البطارية المنصوح به	L1860R, L1850R, L1840R, L1830R, L1825R, L1820R, L1815R, L1820S
أجهزة الشحن المنصوح بها	BL1218, BLK1218; AL1218G; AL18G

معلومات الضوضاء/الذبذبات (قطع الخرسانة المسلحة)

القيم التي تم قياسها محددة وفقا للمعايير الأوروبية EN 60 745	مستويات ضوضاء الجهاز، ترجيح أ بشكل نمطي كالتالي:
مستوى ضغط الصوت (الارتباب في القياس = 3 ديسيبل (A))	102,0 dB (A)
مستوى شدة الصوت (الارتباب في القياس = 3 ديسيبل (A))	91,0 dB (A)

اركة واقيات الأذن!

قيم الذبذبات الإجمالي (مجموع الكميات الموجهة في المحاور الثلاثة) محددة وفقا للمعايير الأوروبية EN 60745.

قيمة انبعاث الذبذبات	a _{h,SG}
الارتباب في القياس	4,2 m/s ² 1,5 m/s ²

تحذير!

تم قياس مستوى انبعاث الذبذبات الموجود بوثيقة المعلومات هذه وفقا للاختبار القياسي وفقاً للمعايير الأوروبية EN 60745 ويمكن استخدامه لمقارنة جهاز بغيره. كما يمكن استخدامه لعرض تقييم تمهيدي.

يمثل مستوى انبعاث الذبذبات المعان عن تطبيقات الجهاز الرئيسية. بالرغم من ذلك، فإنه إذا ما تم استخدام الجهاز لتطبيقات مختلفة، بملحقات مختلفة أو لم يتم المحافظة عليه، فقد يختلف انبعاث الذبذبات. قد يزيد ذلك بصورة كبيرة من مستوى التعرض للذبذبات طوال فترة العمل الإجمالية.

يجب الوضع في الاعتبار عند تقدير مستوى التعرض للذبذبات مرات إيقاف الجهاز أو تشغيله لكن دون استخدامه في القيام بمهمة. فقد يقل ذلك بصورة كبيرة من مستوى التعرض للذبذبات طوال فترة العمل الإجمالية.

تعرف على معايير السلامة الإضافية لحماية المشغل من آثار الذبذبات مثل: صيانة الجهاز والملحقات، الحفاظ على دفة الأيدي، وتنظيم نماذج العمل.

(h) أقراص التجلخ والحواش يجب أن يكونوا مناسبين تماماً على محور التجلخ في الآلة الكهربائية الخاصة بك. الآلات المستخدمة التي تتناسب تماماً مع محور التجلخ، تدور بشكل غير منتظم وتتهتز بشدة ويمكن أن تؤدي إلى فقدان السيطرة.

(i) لا تستخدم أقراص تجلخ بها أضرار. تحقق قبل كل استخدام عما إذا كان قرص التجلخ به كسور أو تشققات. إذا سقطت الآلة الكهربائية أو قرص التجلخ، تحقق من أنها ليس بها أضرار أو استخدم قرص تجلخ ليس به ضرر. إذا قمت بالتحقق من قرص التجلخ وقمت باستخدامه، يجب عليك التواجد أنت والأشخاص المتواجدين بالقرب خارج مستوى قرص التجلخ الدائر وأترك الجهاز يعمل لمدة دقيقة على أقصى سرعة دوران. أقراص التجلخ التي بها أضرار تنكسر غالباً في فترة الاختبار هذه.

(j) ارتد معدات الحماية الشخصية. بناءً على نوع التطبيق، استخدم واقي الوجه ونظارات واقية أو نظارات الوقاية. حيثما كان ملائماً، ارتد معدات الحماية مثل، قناع الغبار، وواقيات الأذن، والقفازات والمنزل القادر على وقف أجزاء الكشط الصغيرة أو الشظايا المتطايرة من قطعة العمل. يجب أن تكون واقيات العين قادرة على وقف القذات المتطايرة الناتجة عن العديد من العمليات. يجب أن يكون قناع الغبار أو كمامة التنفس قادرة على ترشيح الجسيمات الناتجة عن العملية التي تقوم بها. قد يسبب التعرض لمستوى مرتفع من الضوضاء لفترات طويلة إلى فقدان السمع.

(k) عمل على بقاء مرفقك بعيداً عن منطقة العمل بمسافة كافية لتأمينهم. يتعين على أي شخص يدخل منطقة العمل ارتداء معدات الوقاية الشخصية. قد تتطاير أجزاء من قطعة العمل أو شظايا ناتجة عن كسر القطع الملحقة خارج إطار منطقة العمل الحالية مسببة إصابات.

(l) في حالة الأفعال التي يمكن أن ياتي فيها ملامسة قرص التجلخ لخطوط تيار كهربائي منطاة أو مع سلك التيار الخاص بالجهاز، يتم الإمساك بالجهاز الكهربائي دائماً من المعزول المعزول. عند ملامسة سلك يحمل تيار كهربائي فقد تقوم الأجزاء المعدنية في آلة العمل بتوصيل الكهرباء وتسبب في صدمة كهربائية للمستخدم.

(m) لا تضع الآلة الكهربائية جانباً حتى تتوقف الملحقات الدوارة عن الحركة تماماً. فقد تعلق الملحقات الدوارة بالسطح مما يؤدي إلى خروج الآلة عن سيطرتك.

(n) لا تشغل الآلة أثناء حملها بجانبك. فقد يؤدي التلامس العرضي للملحقات الدوارة إلى تمزيق الملابس، وسحبها باتجاه جسمك.

(o) نظف فتحات تهوية الآلة دورياً. ستعمل مروحة المحرك على سحب الغبار إلى داخل الفيتيت مما يؤدي إلى تراكم برادة المعادن مسبباً مخاطر كهربائية.

تحذير! اقرأ جميع تحذيرات الأمان والتعليمات والصور والمواصفات الواردة مع هذه المعدة الكهربائية. المخالفة في اتباع التعليمات المذكورة أسفله قد يكون نتيجتها صدمة كهربائية، حريق و / أو إصابة بالغة. احتفظ بجميع التحذيرات والتعليمات للرجوع إليها في المستقبل.

تعليمات امان للمناشير الدائرية

(a) استخدم دائماً الواقي المرفق مع الآلة. يتعين أن يتم تركيب الواقي بالآلة الكهربائية بأحكام ويستقر في الوضع الصحيح لتوفير أقصى مستوى من الحماية، بحيث يكون أقل قدر من الفرص معرض تجاه المشغل. فف أنت ومن يرافقتك بعيداً عن مسار القرص الدوار. يساعد الواقي في حماية المشغل من الشظايا التي قد تنتج عن كسر القرص والتلامس العرضي مع القرص.

(b) لا تترك الكهربائية استخدم فقط أقراص قطع مرتبطة ومقواة أو مزودة بالماس. فقط إمكانية تثبيت المستلزمات في تلك الكهربائية لا يضمن الاستخدام بأمان.

(c) يتعين أن تساوي السرعة المقترحة لقطع الملحقات على الحد الأعلى للسرعة المحددة على الآلة الكهربائية. فقد يؤدي تشغيل الملحقات بسرعة أعلى من السرعة المقترحة لها إلى كسرها أو تفتتها وتناثر شظاياها.

(d) يتعين استخدام الأقراص في التطبيقات الموصى بها فقط على سبيل المثال: لا تستخدم جانب القرص في التجلخ. صممت الأقراص الكاشطة لأغراض الجلب المحيطي، حيث قد يؤدي إعمال قوى الجوانب مع هذه الأقراص إلى كسرها.

(e) استخدم دائماً عجلات ذات أطراف سليمة والتي يتناسب حجمها وشكلها مع قرص القطع التي اخترتها. تدعم أطراف القرص المناسبة قرص القطع وبالتالي تقلل من احتمالية انكسار القرص.

(f) لا تستخدم الأقراص المتآكلة من الآلات الكهربائية الأكبر. فالقرص المصمم للآلة الكهربائية الأكبر لا يتناسب مع السرعة العالية للآلة الأصغر كما يمكن أن تنفجر.

(g) لا تكون القطر الخارجي للقطعة الملحقة وسمكها ضمن السعة المصنفة للآلة الخاصة بك. يؤدي حجم القطعة الملحقة غير المناسب إلى إبطاء وجود حماية كافية لها إضافة إلى صعوبة التحكم.

AEG

www.aeg-powertools.eu

Techtronic Industries GmbH

Max-Eyth-Straße 10
71364 Winnenden
Germany

(06.20)
4931 4703 49



*AEG is a registered trademark used under
license from AB Electrolux (publ).*