



серия RS1/RS1 series



серия RS2/RS2 series

*Электрический  
накопительный  
водонагреватель*

*Electrical  
storage water  
heater*

### Модели/Models:

SWH RS1 30 V  
SWH RS1 50 V  
SWH RS1 80 V  
SWH RS1 100 V

SWH RS2 30 H  
SWH RS2 50 H  
SWH RS2 80 H

### Руководство по эксплуатации включает в себя гарантийный талон

Outlook of devices, aslo colour scores can be revised without any special advance notices.

Производитель вправе менять внешний вид прибора и цветовую гамму прибора без специального уведомления.

## TABLE OF CONTENTS

1. Important information	2
2. Precautions	3
3. Application of water heater	3
4. Performance parameters	3
5. Water heater description	6
6. Scope of delivery	7
7. Water heater installation	7
Location	7
Water heater mounting methods	8
Water heater mounting	8
Connection to water main	9
Connection to electric mains	9
Ground Fault Circuit Interrupted (GFCI)	10
8. Water heater control	10
9. Water heater operation	11
10. Maintenance	11
11. Troubleshooting	13
12. Transportation and storage conditions	13
13. Wiring diagram	13
14. Disposal	14
15. Serial number and production date	14

### Dear customer!

**Thank you for your good choice. You purchased TIMBERK electric storage water heater. It will serve you for a long time!**

**TIMBERK electric storage water heaters will provide a lot of hot water and will automatically maintain the specified temperature. They are perfect to provide hot water for country houses, cottages, baths and other standalone amenity rooms.**

## 1. IMPORTANT INFORMATION

Please, read this operation manual carefully prior to use of the water heater. This operation manual contains important information regarding your safety, as well as recommendations on the proper operation of the unit and its maintenance.

Save this operation manual together with the guarantee card, cash register receipt, if possible, cardboard box and packing material.

Different types of this device are described in this manual.

The purchased water heater can slightly differ from the one, described in the manual, but that doesn't affect methods of its use and operation.



### IMPORTANT!

Important precautions and instructions, contained in this manual, do not account for all possible modes and situations to be encountered. It is vital to understand that common sense, caution and thoroughness are the factors that are impossible to be built-in in any product. These factors must be taken into consideration by a person, interested in proper operation of the unit. The manufacturer does not bear any responsibility in case when the unit or its parts are damaged during transportation, as a result of improper installation, voltage fluctuations, as well as if some part of the unit was altered or modified.

## 2. PRECAUTIONS

Certain precautions are to be observed upon use of the water heater. Improper use due to ignoring precautions may harm health of the user and other people as well as damage their property.

1. Any electrical appliance must be under control upon its use, especially if there are children nearby. Make sure children do not touch the appliance.
2. Prior to installation of the water heater, not connecting it to the electrical main, check and make sure that the outlet for the water heater has a ground contact and it is properly earthed. If there is no earth loop in your electrical main then using of the water heater will be dangerous for your life.
3. Connect the water heater only to 230~V/50Hz electrical main. If necessary, find out parameters of your main at power suppliers.
4. To prevent overheating and risk of fire as well as damage of inner electrical main do not modify the power cord's length and do not connect the water heater through power extension cord.
5. It is forbidden to switch on the water heater if it is not filled with water or if water cannot go through the pressure safety valve.
6. Never use the water heater if it is damaged.
7. Do not remove the water heater cover when it is in operation.
8. Immediately unplug the water heater from the electrical main if strange sounds, odour or smoke comes out from it.
9. Always unplug the water heater from the electrical main during thunderstorm.
10. Prior to cleaning and maintenance of the water heater unplug it from the electrical main every time. Cleaning and maintenance must be performed in compliance with the instructions contained in this manual.
11. Do not use hazardous chemical substances to clean the water heater and prevent their contact with the appliance.
12. To prevent electrical shock the damaged power cord must be replaced only by qualified specialists in manufacturer's authorized service centres.
13. To prevent electrical shock do not place the power cord nearby heating devices and flammable or combustible agents.
14. As temperature of water in the water heater can reach 75°C when it is in operation you should not place your body parts under hot water upon the first run. To prevent burns you should adjust the temperature of the outflowing water.
15. Do not use the water heater for purposes not stipulated in this

instruction manual.

16. Do not use the water heater in an explosive or corrosive environment. Do not store petrol and any other volatile flammable liquids near to the appliance. It is very dangerous!

17. It is forbidden to make alterations in the design of the water heater or modify it.

18. Any service works must be performed by a specialized organisation and qualified specialists. Improper installation may cause voiding of guarantee maintenance.

19. The water heater is not intended for use by children and persons with reduced physical, sensory or mental capabilities, or a lack of experience and knowledge unless they are under supervision or instructed on using of the appliance by a person responsible for their safety. Children should be controlled to ensure that they do not play with the appliance.

## 3. APPLICATION OF WATER HEATER

Electric water heater is used to heat cold water from water supply. Unit is for household use.

## 4. PERFORMANCE PARAMETERS

1. Completely automatic control: automatic water heating, continuous automatic water temperature control.

2. 3D Logic® three-stage protection system:

DROP Defense – leakage protection and protection against surplus pressure within a tank (pressure safety valve)

SHOCK Defense – current leakage protection (GFCI is built in the plug of appliance's power cord)

HOT Defense – two-stage overheating protection (thermostat and temperature limiter)

**All protection systems are reliable and safe.**

3. Pipes of heating elements are designed taking into account high heat load: safe and reliable, with an increased service life.

4. NON CFC urethane foam insulation of increased thickness: excellent heat insulation that allows to efficiently retain accumulated heat and save energy.

5. Temperature controller: accurate and reliable water temperature control.
6. Internal tanks and all internal components are made out of SUS 304 stainless steel with walls 1.2 mm thick.
7. Magnesium anode is for additional protection of the tank and seam joints.

### Technical characteristics

Technical characteristics of water heaters are given below in Table 1.

Table 1

Description	Units	SWH RS1 30 V	SWH RS1 50 V	SWH RS1 80 V	SWH RS1 100 V
Power supply	V/Hz	220~/50	220~/50	220~/50	220~/50
Rated current	A	9.1	9.1	9.1	9.1
Rated power	W	2000	2000	2000	2000
Tank capacity	L	30	50	80	100
Rated pressure	Mpa	0,7	0,7	0,7	0,7
Water protection	–	IPX4	IPX4	IPX4	IPX4
Electrical protection class	–	I	I	I	I
Heating time, at $\Delta 30\text{ }^{\circ}\text{C}$	min	18	38	57	71
Appliance dimensions	mm	Ø340x520	Ø340x743	Ø410x805	Ø410x934
Net weight	kg	8,3	10,7	14,0	16,2
Factual year energy consumption	kW·h	372,3	430,7	532,9	613,2
Constant daily heating loss	kW·h / day	1,07	1,23	1,53	1,72

Description	Units	SWH RS2 30 H	SWH RS2 50 H	SWH RS2 80 H
Power supply	V/Hz	220~/50	220~/50	220~/50
Rated current	A	9.1	9.1	9.1
Rated power	W	2000	2000	2000
Tank capacity	L	30	50	80
Rated pressure	Mpa	0,7	0,7	0,7
Water protection	–	IPX4	IPX4	IPX4
Electrical protection class	–	I	I	I
Heating time, at $\Delta 30\text{ }^{\circ}\text{C}$	min	18	38	57
Appliance dimensions	mm	Ø340x520	Ø340x743	Ø410x805
Net weight	kg	8,3	10,3	14,0
Factual year energy consumption	kW·h	372,3	430,7	532,9
Constant daily heating loss	kW·h / day	1,07	1,23	1,53



## IMPORTANT!

Technical characteristics of the water heater you purchased as of the date of manufacture correspond to data, specified in the table. Technical characteristics and scope of delivery can be revised without any prior notice.

### Dimensional features

Dimensional features of RS1 series water heater (in mm) according to Fig.1 are given below in Table 2.

Table 2

	Capacity, l	A	B	C	D	E	F
RS1 series	30	520	537	200	340	9	87
	50	743	750	305	340	9	87
	80	805	822	400	410	9	214
	100	934	951	400	410	9	214

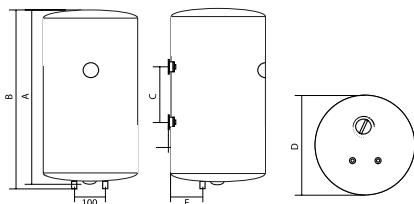


Fig. 1

Dimensional features of RS2 series water heater (in mm) according to Fig.2 are given below in Table 3.

Table 3

	Capacity, l	A	B	C	D	E	F
RS2 series	30	520	340	200	340	9	179
	50	743	340	307	340	9	179
	80	805	410	400	410	9	214

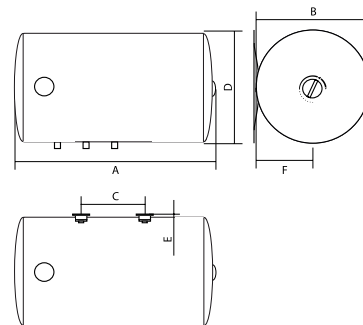


Fig. 2

## 5. WATER HEATER DESCRIPTION

RS2 series (Fig. 3)

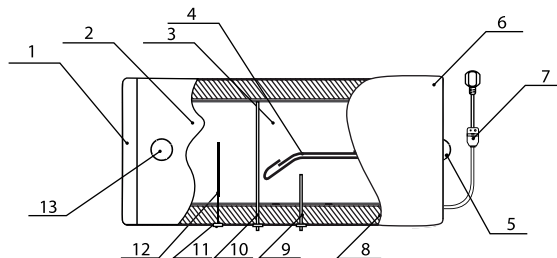


Fig. 3

- 1 – left metal protective cover
- 2 – external metal casing
- 3 – inner tank
- 4 – heating element
- 5 – control panel
- 6 – right metal protective cover
- 7 – power cable with GFCI
- 8 – urethane foam heat insulation layer
- 9 – inlet nozzle
- 10 – hot water outlet nozzle
- 11 – emergency water discharge nozzle
- 12 – protective magnesium anode
- 13 – thermometer

RS1 series (Fig. 4)

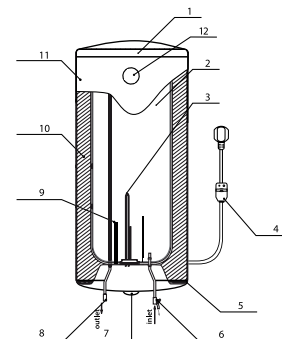


Fig. 4

- 1 – upper protective cover
- 2 – inner tank
- 3 – heating element
- 4 – power cable with GFCI
- 5 – lower protective cover
- 6 – inlet nozzle
- 7 – control panel
- 8 – hot water outlet nozzle
- 9 – protective magnesium anode
- 10 – urethane foam heat insulation layer
- 11 – external metal casing
- 12 – thermometer (only for RS1 series)

## 6. SCOPE OF DELIVERY

1. Water heater – 1 pc.
2. Anchor bolt – 2 pcs.\*
3. Securing plate – 1 pc.
4. Pressure safety valve – 1 pc.
5. Discharge pipe – 1 pc.
6. Operation manual – 1 pc.
7. Guarantee card – 1 pc.
8. Packing – 1 pc.

\* – only for RS1/RS2

## 7. WATER HEATER INSTALLATION

### Location

1. Electric water heater should be mounted on a firm wall.
2. The wall, where the electric water heater is to be mounted, must withstand at least the double weight of the water heater, fully filled with water; there must be no cracks and other damages on the wall. Otherwise it is necessary to take measures to strengthen the mounting or mount the water heater on a special support.
3. If a bathroom is too small, the water heater can be installed elsewhere, unexposed to direct sunlight and unavailable for moisture. However, to reduce heat losses in pipelines, the location, where a water heater is to be installed, must be as close to the place, where hot water is used, as possible.

### Water heater mounting methods

Fig. 5 shows the way to mount the water heater for one consumption point.

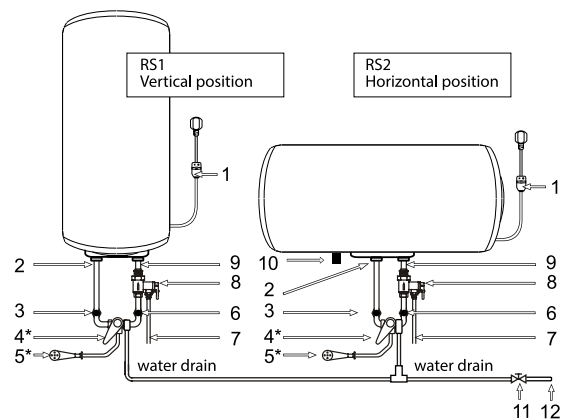


Fig. 5

- 1 – power cord with a plug and GFCI\*\*
- 2 – outlet nozzle
- 3 – hot water flow adjustment tap\*
- 4 – mixer\*
- 5 – shower header\*
- 6 – cold water supply adjustment tap
- 7 – discharge pipe
- 8 – composite pressure safety valve
- 9 – inlet nozzle
- 10 – magnesium anode-nozzle for water discharge (for RS2 series)
- 11 – water main shut-off valve\*
- 12 – water main

\* not included in the scope of delivery

\*\* depending on the product batch, GFCI can be located not within the power cable electric plug

## Water heater mounting methods

Fig. 6 shows the way to mount the water heater for several consumption points.

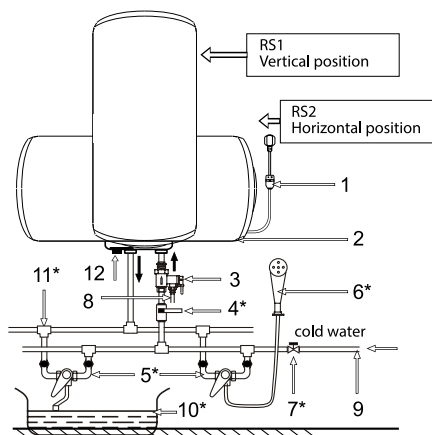


Fig. 6

- 1 – power cord with a plug and GFCI\*\*
- 2 – mounted water heater
- 3 – composite pressure safety valve
- 4 – cold water inlet tap\*
- 5 – mixer\*
- 6 – shower header\*
- 7 – water main shut-off valve
- 8 – discharge pipe
- 9 – water main
- 10 – tub\*
- 11 – T-bend

12 – magnesium anode-nozzle for water discharge (for RS2 series)

\* not included in the scope of delivery

\*\* depending on the product batch, GFCI can be located not within the power cable electric plug

## Water heater mounting



### NOTE:

Please, use accessories, provided by the manufacturer, to install the water heater. Electric water heater must not be mounted on a wall prior you make sure that the bracket is installed firmly and securely. Otherwise the electric water heater may fall down from the wall, which may cause its damage and even serious accidents involving bodily injury. When determining points for bolt holes, it is necessary to provision some spare space between the lower part of the water heater and the floor, and as to the RS2 line there also must be some space between the right side of the water heater and the wall on the right, not less than 0.6 m to make it convenient to perform maintenance if necessary.

1. Electric water heater should be mounted on a firm wall. If the wall is not robust enough to hold the weight equal to the doubled weight of the overall water heater weight, fully filled with water, then it should be mounted on a special support.

2. After you chose the proper place to install the water heater, determine points for holes for expansion hook bolts (to be determined in accordance with the data sheet for the appliance you chose). Drill two holes of the corresponding depth in the wall using a drill, dimensionally fit for expansion bolts, enclosed with the water heater, insert bolts, turn the hook upwards, securely tighten nuts and then hang the electric water heater on these hooks (for RS1/RS2 series) (see Fig. 7).

3. Fix a power outlet to the wall. Requirements to the outlet are as follows: 230-V/10A, single-phase, three-wired. It is recommended to place the outlet on the right side above the water heater.



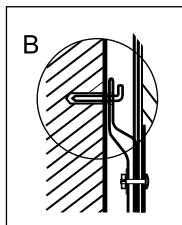


Fig. 7



**NOTE:**

In places or on the wall, where there may be a water contact, the power outlet installation height must be not less than 1.8 m.

**Connection to water main**

1. The heater must be connected to water main with at least 0.1 MPa pressure; maximum pressure is 0.7 MPa.



**NOTE:**

The water heater is the appliance, operating in such a manner that pressure of water in the water heater corresponds to the pressure of water in water main. If pressure in the main exceeds 0.7 MPa, then it is necessary to mount a pressure reducer before the water heater so that pressure doesn't exceed 0.7 MPa.

- 2. G1/2 diameter pipes are used to connect the water heater to the water pipeline.
- 3. To prevent a leakage when connecting pipes, use rubber sealing gaskets on the threaded pipe ends.
- 4. Screw a relief valve to the inlet nozzle, marked blue and embossed arrow of the water flow direction, so that the water flow direction coincides with direction of the arrow on the valve's case.



**NOTE:**

Do not mount additional accessories, such as a shut-off valve, between the relief valve and the inlet nozzle.

- 5. Water heater with the mounted valve must be connected to the water main – install a shut-off valve at the water inlet point.
- 6. Connect the desired number of consumption points to the outlet nozzle, marked red.
- 7. Check leak integrity of joints: open the shut-off cock and one of the cock assemblies. After the tank is filled with water, as evidenced by issue of water from the cock assembly, shut the cock assembly and check the leak integrity of all joints.



**IMPORTANT!**

If water in the installation location contains a large amount of calcium, manganese or iron salts, then necessary to mount a respective filter in the delivery system to reduce the amount of scale generated in the tank and on the heating element.

**Connection to electric main**



**IMPORTANT!**

Prior to connecting the tank water heater, make sure that the water heater is properly grounded. Proper grounding is important to minimize electric shocks and risk of fire. The power cord is equipped with a plug with a grounding pin. The appliance must be used with a properly grounded power outlet. If the outlet, you are intending to use, is not properly grounded or grounded by a time-delay fuse or a circuit breaker, contact a qualified electrician to install a proper outlet.

- 1. The water heater is designed to be connected to 230~V single-phase electric main. Prior to connecting make sure that parameters of the electric main in the place of connection correspond to parameters, specified on the

identification plate with electrical parameters of the appliance. You should follow the current electrical safety code when installing the water heater.

2. Power outlet must be designed for rated current not less than 10A, copper stranded power cord not less than 3 x 1.5 mm<sup>2</sup> in cross section (for copper).

3. The power outlet and the plug must always remain dry to prevent current leakage. Regularly check if the power plug is tightly connected to the outlet. Do it in the following order: insert the power plug into the outlet, switch off the water heater after half-hour operation and unplug the cord, check if the plug is heated by your hand. If the plug is heated over 50 °C, then to prevent damages, accidents and fire as a result of bad electrical contact, replace the outlet with a new one. A specialist must do this.

4. Power cord of the appliance is a single unit with GFCI (Ground Fault Circuit Interrupter).



### IMPORTANT!

To provide reliable operation and safe use of the water heater, prior to the first run check if it is properly connected to the 230~V AC mains. The water heater to be connected must be securely linked with the earth circuit of your electric mains. If the water heater is not grounded, then in case of a short circuit GFCI, supplied with the heater, may not operate. It is dangerous.

### GFCI (Ground Fault Circuit Interrupter) (Fig. 8)

1. Connect the cable to the mains, indicator (1) will light up.
2. Press button (2) for testing, voltage will be cut off, indicator (1) will light down and restart button (3) will go upwards.
3. Press button (3) to restart the appliance, voltage will be restored and indicator (1) will light up.

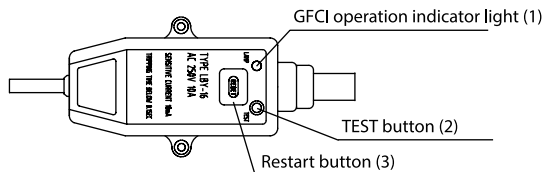


Fig. 8



### IMPORTANT!

- if pressing test button (2) voltage is not cut off and/or indicator (1) continues to be lighted, it means that GFCI safety device is not operating properly.

- if pressing restart button (3) voltage is not restored and/or indicator (1) doesn't light up, it means that the water heater is not operating properly. In both cases disconnect the water heater and call the service center.

- to reduce the risk of an electric shock, do not disassemble, remove or fill liquid in this appliance.

## 8. WATER HEATER CONTROL

Control panel for the following models:

SWH RS1 30 V/SWH RS2 30 H

SWH RS1 50 V/SWH RS2 50 H

SWH RS1 80 V/SWH RS2 80 H

SWH RS1 100 V/SWH RS2 100 H

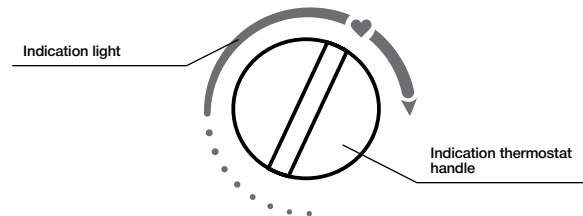


Fig. 9

## 9. WATER HEATER OPERATION

### SWH RS1, SWH RS2 series

1. At first, open one of the discharge valves on the outlet of the water heater, then open the inlet valve. The electric water heater will start filling with water. When water flows from the outlet valve freely, it means the water heater is fully filled with water and you can close the discharge tap.

Warning: During normal operation the inlet valve must be set «open».

2. Plug the power cord into the outlet, an indicator light will light up.



### IMPORTANT!

Power outlet must be designed for rated current not less than 10A, copper stranded power cord not less than 3 x 1.5 mm<sup>2</sup> in cross section (for copper).

Power plug of the appliance represents a single unit with GFCI\*.

3. The appliance can automatically control water temperature. When water temperature in the water heater reaches the temperature, set by the user, the heating is automatically switched off, and water temperature will be maintained due to the heat insulation layer; when water temperature drops to a certain level, heating is automatically switched off, in such a way continuous hot water supply is provided. When the water heater automatically switches off, the indicator light goes out.

4. If you will turn the thermostat handle clockwise, you'll increase the temperature of heating. Maximum temperature inside inner tank is +75°C approx. If you want to reduce the temperature of water, please, turn the handle anticlockwise.

5. If you choose position of thermostat handle like «Optimum» or «♥», it means you choose the most comfortable water temperature +58 °(±2 °C).

## 10. MAINTENANCE

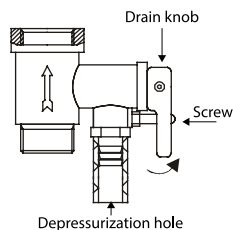


Fig. 10

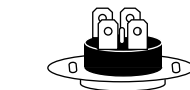


Fig. 11

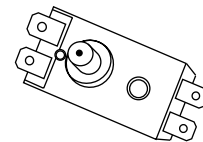


Fig. 12

1. Check the power plug and outlet as often as possible. Secure electrical contact and also proper grounding must be provided. The plug and outlet must not heat excessively.

2. If the water heater is not used for a long time, especially in regions with low air temperature (below 0 °C), it is necessary to drain water from the heater to prevent damage of the water heater (due to water freezing in the inner tank).

3. To ensure long reliable water heater operation, it is recommended to regularly clean the internal tank and remove deposits on the electric heating element of the water heater, as well as check condition (fully decomposed or not) of the magnesium anode and, if necessary, replace it with a new one in case of full decomposition.

Tank cleaning frequency depends on hardness of water located in this territory. Cleaning must be performed by special maintenance services. You can ask the seller for address of the nearest service center or find it on the website [www.timberk.com](http://www.timberk.com).



### IMPORTANT!

The manufacturer provides an extended guarantee for particular water heater components provided that timely and proper routine maintenance is performed by specialists of an authorized service center (see the guarantee card).

4. Preventive operations must be performed upon strict observation of the operation manual and safety precautions.

5. The water heater is equipped with a thermal switch, which cuts off power supply of the heating element upon water overheating or its absence in the water heater. If the water heater is connected to the mains, but water is not heated and the indicator doesn't light up, then the thermal switch was switched off or not switched on. To reset the water heater to the operating condition, it is necessary to:

– de-energize the water heater, remove the plate of the side/lower cover for horizontal-type/vertical-type water heater respectively.

– for RS1/RS2 series water heaters: unscrew retaining nut of the thermal switch, fastened on the flange of the heating element, turn over the thermal switch and press the button, located in the center of the thermal switch, until it clicks, Fig. 12;

– if the button cannot be pressed and there is no clicking, then you should wait until the thermal switch cools down to the initial temperature.



### IMPORTANT!

If these actions had no positive result or the thermal switch turns off repeatedly during a short period of time, then you should de-energize the water heater, cut off water supply and contact your local Timberk Authorized Service Center for a consult or repair of the appliance.

6. To drain water from the internal tank properly, you need to use the drain hole (only for RS2 line) (it is necessary to unscrew a plug, covering the drain hole), water can also be drained through a composite relief valve (Fig. 10) (unscrew the composite relief valve drain knob screw and set the drain knob to the upper position, at that hot water tap must be open, and cold water supply valve must be closed).



### IMPORTANT!

Never drain water if its temperature is over 50 °C since it may result in burns.

7. Bear in mind to check serviceability of the relief valve every 14 days – inspection method:

– turn the discharge lever to the left up until you feel the change of thread, then water must start flowing from the valve's hole. After checking the water flow, return the lever to its initial position.



### IMPORTANT!

If water doesn't flow, then the valve is damaged. In this case you must not use the heater and it is recommended to call for a service technician.

8. If necessary, wipe external surfaces of the heater by a damp cloth with soap.

## 11. TROUBLESHOOTING

Possible malfunctions and troubleshooting methods

Table 4

Failure	Possible causes	Troubleshooting method
Heating indicator light doesn't light up, water is not heated	1. Temperature adjustment device is broken.	Contact a repairer, TIMBERK service center.
	2. Temperature limiter was actuated or was not switched on.	Switch on the temperature switch following instructions on its activation. (page 15)
	3. Temperature limiter is broken.	Contact a repairer, TIMBERK service center.
Water doesn't flow from the hot water discharge cock	1. Water feed is cut off.	1. Wait until water supply is restored.
	2. Water pressure is too low.	2. Switch on the water heater again, when normal water pressure restores.
	3. Water supply exhaust valve is closed.	
Water temperature is too high	Water temperature control system is damaged.	Contact a repairer, TIMBERK service center.
Water leakage	Seal at the point of pipe connection is broken.	Replace the joint seal.
Water flows from the appliance's case	Breaking of the internal tank (corrosion) Seal at the point of the heating element connection is broken.	Contact a repairer, TIMBERK service center.
Heating indicator light lights up but water is not heated	1. Temperature adjustment device is broken.	1. Contact a repairer, TIMBERK service center.
	2. Insufficient time for heating.	2. Wait until water is heated.
	3. Heating element is broken.	3. Contact a repairer, TIMBERK service center.

## 12. TRANSPORTATION AND STORAGE CONDITIONS

Temperature requirements*	Transportation and storage	From -30° to +50°C
Humidity requirements*		From 15% to 85% (without a condensate)

We are exploring new technologies and we constantly improving the quality of our products. That's why specifications, design and accessories are subject to change without any specific notice.

## 13. WIRING DIAGRAM

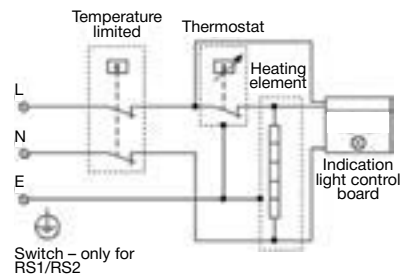


Fig. 13

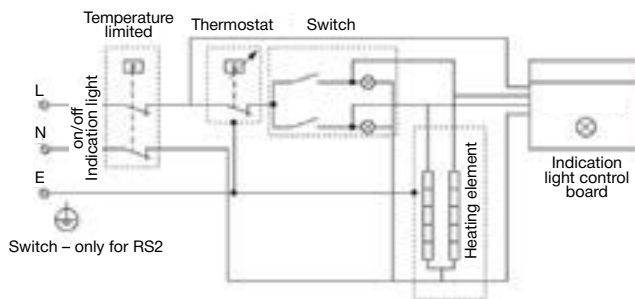


Fig. 14



**NOTE:**

Technical and any other characteristics of the appliance can be revised.

Such changes may be introduced without warning and prior notice to the consumers.

The manufacturer shall not be liable for changes in the appliance's wiring diagram that may be implemented without notice to the consumers.



**IMPORTANT!**

To ensure reliable operation and safe use of the water heater, prior to the first activation check if it is correctly connected to 230~V alternating voltage mains. The water heater to be connected must be securely connected to an earth circuit of your electric mains.

Timberk disclaims any liability for possible damage, directly or indirectly caused by Timberk products to people, pets, property in case if it occurred as a result of failure to observe rules and conditions of operation, unit's installation, deliberate or careless actions of the consumer or third parties.

The tank water heater is not intended to be used by children, old or disabled

people without supervision. Make sure to use the water heater carefully, do not switch between modes abruptly, closely follow recommendations, set forth in this operation manual. Children nearby the fan heater must be supervised by adults and must never use the unit playing games.

Guarantee card is enclosed in the product package!

## 14. DISPOSAL

The water heater should be disposed upon the end of life. You can obtain detailed information on water heater disposal from a representative of local authorities.

## 15. SERIAL NUMBER AND PRODUCTION DATE

Serial number, production month and year are included in ID LINE product code. Sticker with ID LINE code is pasted on product surface. Month and two last numbers of year is putted after symbol «-».

## СОДЕРЖАНИЕ

1. Важная информация	15
2. Меры предосторожности	16
3. Назначение прибора	17
4. Рабочие характеристики	17
5. Описание водонагревателя	19
6. Комплект поставки	20
7. Установка водонагревателя	20
Местоположение	20
Способы монтажа водонагревателя	20
Монтаж водонагревателя	21
Подключение к водопроводной магистрали	22
Подключение к электрической сети	22
УЗО (устройство защитного отключения)	23
8. Управление водонагревателем	23
9. Эксплуатация водонагревателя	24
10. Обслуживание	24
11. Устранение неисправностей	26
12. Электрическая принципиальная схема	26
13. Гарантийный талон	28

## Уважаемый покупатель!

Благодарим Вас за удачный выбор. Вы приобрели электрический накопительный водонагреватель TIMBERK с внутренним резервуаром из нержавеющей стали. Он прослужит Вам долго.

Электрические накопительные водонагреватели Timberk готовят большое количество горячей воды и будут поддерживать заданную температуру автоматически. Они идеально подходят для снабжения горячей водой загородных домов, коттеджей, бань и прочих индивидуальных бытовых помещений.

## 1. ВАЖНАЯ ИНФОРМАЦИЯ

Просим внимательно ознакомиться с руководством по эксплуатации перед использованием водонагревателя.

В данном руководстве по эксплуатации содержится важная информация, касающаяся Вашей безопасности, а также рекомендации по правильному использованию прибора и уходу за ним. Сохраните руководство по эксплуатации вместе с гарантийным талоном, кассовым чеком, по возможности, картонной коробкой и упаковочным материалом. В данном руководстве по эксплуатации описываются разные виды данного типа устройства.

Приобретенный Вами водонагреватель может несколько отличаться от описанного в руководстве, что не влияет на способы использования и эксплуатации.



### ВНИМАНИЕ!

Важные меры предосторожности и инструкции, содержащиеся в данном руководстве, не включают всех возможных режимов и ситуаций, которые могут встречаться. Необходимо понимать, что здравый смысл, осторожность и тщательность являются факторами, которые невозможно «встроить» ни в один продукт.



## ВНИМАНИЕ!

Эти факторы должен учитывать человек, который заинтересован в надлежащей эксплуатации устройства. Изготовитель не несет ответственности в случае повреждения прибора или его отдельных частей во время транспортировки, в результате неправильной установки, в результате колебаний напряжения, а также в случае, если какая-либо часть прибора была изменена или модифицирована.

## 2. МЕРЫ ПРЕДОСТОРОЖНОСТИ

При использовании водонагревателя, необходимо соблюдать ряд мер предосторожности. Неправильная эксплуатация в силу игнорирования мер предосторожности может привести к причинению вреда здоровью пользователя и других людей, а также нанесения ущерба их имуществу.

1. Любой электроприбор должен находиться под наблюдением во время его эксплуатации, особенно, если неподалёку от него находятся дети. Внимательно следите за тем, чтобы дети не прикасались к прибору.
2. Перед установкой водонагревателя, не подключая его к электросети, проверьте и убедитесь, что сетевая розетка для водонагревателя имеет контакт заземления и правильно заземлена. При отсутствии заземляющего контура в вашей электросети эксплуатация водонагревателя опасна для жизни.
3. Подключайте водонагреватель только к сети 230~В/50Гц. При необходимости выясните характеристики своей сети у поставщиков электроэнергии.
4. Во избежание перегрева и риска возникновения пожара, а также повреждения внутренней электрической сети, не изменяйте длину сетевого шнура и не подключайте водонагреватель через электрические удлинители.
5. Запрещается включать водонагреватель, если он не наполнен водой или если обнаружена непроходимость воды через предохранительный клапан.
6. Никогда не используйте водонагреватель, если он неисправен.
7. Не снимайте крышки водонагревателя во время его работы.

8. Незамедлительно отключите водонагреватель от электрической сети, если от него идут странные звуки, запахи или дым.

9. Всегда отключайте водонагреватель от электрической сети во время грозы.
10. Перед началом чистки и технического обслуживания водонагревателя всегда отключайте его от электрической сети. Чистку и техническое обслуживание производите в соответствии с указаниями данного руководства по эксплуатации.
11. Не используйте опасные химические вещества для чистки водонагревателя и не допускайте их попадания на него.
12. Во избежание опасности поражения электрическим током, поврежденный сетевой шнур должен меняться только в авторизованных сервисных центрах изготовителя, квалифицированными специалистами.
13. Во избежание опасности поражения электрическим током не размещайте шнур питания рядом с нагревательными приборами и легковоспламеняющимися или горючими веществами.
14. Поскольку температура воды в водонагревателе может достигать 75 °С, при использовании водонагревателя не следует подставлять части тела под горячую воду при первом включении. Для предотвращения ожогов правильно отрегулируйте температуру вытекающей воды.
15. Не используйте водонагреватель, в целях, не предусмотренных этим руководством по эксплуатации.
16. Не используйте водонагреватель во взрывоопасной или коррозионной среде. Не храните рядом с прибором бензин и другие летучие легковоспламеняющиеся жидкости — это очень опасно!
17. Запрещено вносить изменения в конструкцию водонагревателя или модифицировать его.
18. Любые сервисные работы должны производиться специализированной организацией, квалифицированными специалистами. Неправильная установка может повлечь за собой отказ в гарантийном обслуживании.
19. Водонагреватель не предназначен для использования лицами (включая детей) с ограниченными физическими, сенсорными или умственными возможностями, обладающими недостаточным опытом и знаниями, если они не находятся под наблюдением и не получили инструкций по использованию устройства от лица, ответственного за их безопасность. Необходимо, следить, чтобы дети не играли с прибором.



### 3. НАЗНАЧЕНИЕ ПРИБОРА

Электрический водонагреватель накопительного типа предназначен для нагрева поступающей из водопровода холодной воды. Он применяется в бытовых целях.

### 4. РАБОЧИЕ ХАРАКТЕРИСТИКИ

1. Полностью автоматическое управление: автоматический нагрев воды, постоянный автоматический контроль температуры воды.

2. Трехступенчатая система защиты 3D Logic®:

**DROP Defense** – защита от протечки и избыточного давления внутри бака (предохранительный клапан).

**SHOCK Defense** – защита от утечки электрического тока (УЗО встроено в сетевой шнур прибора).

**HOT Defense** – двухуровневая защита от перегрева (термостат и ограничитель температуры).

**Все системы защиты являются надежными и безопасными.**

3. Трубки нагревательных элементов спроектированы с учетом большой тепловой нагрузки: безопасные, надежные, с увеличенным сроком службы.

4. Пенополиуретановая NON CFC теплоизоляция увеличенной толщины: отличная тепловая изоляция, которая позволяет эффективно сохранять накопленное тепло и экономить электроэнергию.

5. Температурный контроллер: точное и надежное управление температурой воды.

6. Внутренний резервуар и все внутренние компоненты выполнены из нержавеющей стали SUS 304 с толщиной стенок 1,2 мм.

7. Магнийевый анод для дополнительной защиты бака и шовных соединений.

### Технические характеристики

Технические характеристики водонагревателей приведены в таблице 1.

Таблица 1

Наименование	Ед. изм.	SWH RS1 30 V	SWH RS1 50 V	SWH RS1 80 V	SWH RS1 100 V	SWH RS2 30 H	SWH RS2 50 H	SWH RS2 80 H
Параметры электропитания	В/Гц	220~/50	220~/50	220~/50	220~/50	220~/50	220~/50	220~/50
Номинальная сила тока	А	9.1	9.1	9.1	9.1	9.1	9.1	9.1
Номинальная мощность	Вт	2000	2000	2000	2000	2000	2000	2000
Объем	л	30	50	80	100	30	50	80
Номинальное давление	МПа	0,7	0,7	0,7	0,7	0,7	0,7	0,7
Класс влагозащиты	–	IPX4	IPX4	IPX4	IPX4	IPX4	IPX4	IPX4
Класс электрозащиты	–	I	I	I	I	I	I	I
Время нагрева, при Δ 30 °С	мин.	18	38	57	71	18	38	57
Размеры прибора	мм	Ø340x520	Ø340x743	Ø410x805	Ø410x934	Ø340x520	Ø340x743	Ø410x805
Вес НЕТТО	кг	8,7	10,7	14,0	16,2	8,3	10,3	14,0
Фактическое годовое потребление электроэнергии	кВт·ч	372,3	430,7	532,9	613,2	372,3	430,7	532,9
Постоянные суточные теплопотери	кВт·ч /сут	1,07	1,23	1,53	1,72	1,07	1,23	1,53



## ВНИМАНИЕ!

На дату производства технические характеристики приобретенного Вами водонагревателя соответствуют данным указанным в таблице. Производитель имеет право изменить технические характеристики прибора и его комплектацию без предварительного уведомления об этом.

### Размерные характеристики

Размерные характеристики водонагревателя серии RS1 (в мм) согласно рис. 1 приведены в таблице 2.

Таблица 2

	Объем, л	A	B	C	D	E	F
Серия RS1	30	520	537	200	340	9	87
	50	743	750	305	340	9	87
	80	805	822	400	410	9	214
	100	934	951	400	410	9	214

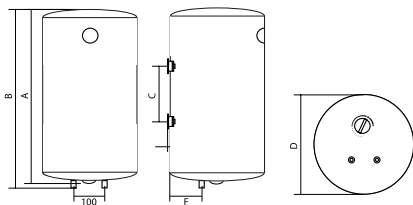


Рис. 1

Размерные характеристики водонагревателя серии RS2 (в мм) согласно рис. 2 приведены в таблице 3.

Таблица 3

	Объем, л	A	B	C	D	E	F
Серия RS2	30	520	340	200	340	9	179
	50	743	340	307	340	9	179
	80	805	410	400	410	9	214
	100	972	426	570	411	8	213.5

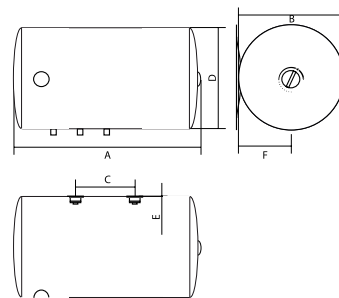


Рис. 2

## 5. ОПИСАНИЕ ВОДОНАГРЕВАТЕЛЯ

Серия RS2 (рис. 3)

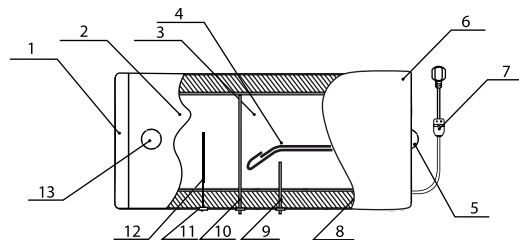


Рис. 3

- 1 - Левая защитная крышка
- 2 - Внешний корпус
- 3 - Внутренний резервуар
- 4 - Нагревательный элемент
- 5 - Панель управления
- 6 - Правая защитная крышка
- 7 - Сетевой шнур с УЗО
- 8 - Теплоизоляционный слой из пенополиуретана
- 9 - Входной патрубок
- 10 - Патрубок выхода горячей воды
- 11 - Патрубок резервного слива воды
- 12 - Защитный магниевый анод
- 13 - Термометр

Серия RS1 (рис. 4)

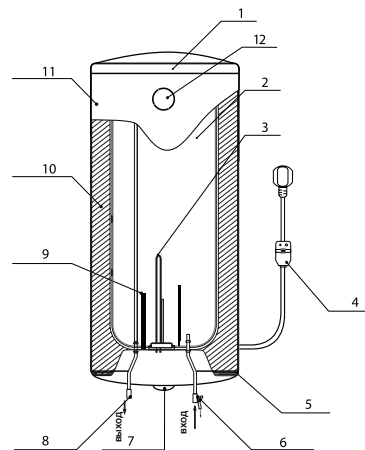


Рис. 4

- 1 - Верхняя защитная крышка
- 2 - Внутренний резервуар
- 3 - Нагревательный элемент
- 4 - Сетевой шнур с УЗО
- 5 - Нижняя защитная крышка
- 6 - Входной патрубок
- 7 - Панель управления
- 8 - Патрубок выхода горячей воды
- 9 - Защитный магниевый анод
- 10 - Теплоизоляционный слой из пенополиуретана
- 11 - Внешний корпус
- 12 - Термометр\*

\* – только для серии RS1

## 6. КОМПЛЕКТ ПОСТАВКИ

1. Водонагреватель - 1 шт.
2. Анкерный болт - 2 шт.\*
3. Крепежная планка - 1 шт.
4. Предохранительный клапан - 1 шт.
5. Сливная трубка - 1 шт.
6. Руководство по эксплуатации с гарантийным талоном - 1 шт.
7. Упаковка - 1 шт.

\* – только для серий RS1, RS2

## 7. УСТАНОВКА ВОДОНАГРЕВАТЕЛЯ

### Местоположение

1. Электрический водонагреватель следует устанавливать на прочной стене.
2. Стена, на которой устанавливается электрический водонагреватель, должна выдерживать, как минимум, двойной вес водонагревателя, полностью заполненного водой, на стене должны отсутствовать трещины и другие повреждения. В противном случае необходимо принять меры для усиления крепления или установить водонагреватель на специальной опоре.
3. Если ванная комната слишком маленькая, водонагреватель можно установить в другом месте, закрытом от прямого солнечного света и недоступном для попадания влаги. Однако для снижения потерь тепла в трубопроводах место установки водонагревателя должно находиться как можно ближе к месту использования горячей воды.



### ВНИМАНИЕ!

Водонагреватель должен быть установлен на вертикальную стену строго в том положении, как указано на рис. 3, 4 (серия RS1 - в вертикальном положении, RS2 - в горизонтальном).

## Способы монтажа водонагревателя

Способ монтажа водонагревателя для одной точки потребления представлен на рис. 5.

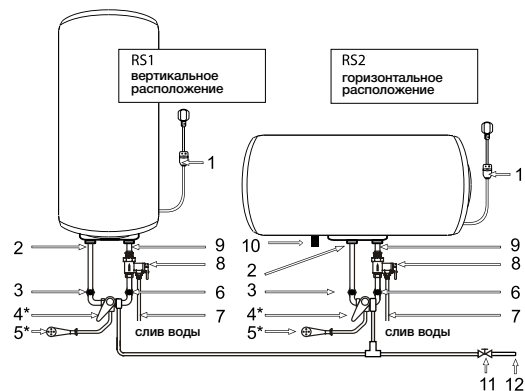


Рис. 5

- 1 - Сетевой шнур с вилкой и УЗО\*\*
- 2 - Выходной патрубок
- 3 - Кран регулировки потока горячей воды\*
- 4 - Смеситель\*
- 5 - Душевая насадка\*
- 6 - Кран регулировки потока холодной воды\*
- 7 - Сливная трубка
- 8 - Комбинированный предохранительный клапан
- 9 - Входной патрубок
- 10 - Магниевый анод-патрубок для слива воды (для серии RS2)
- 11 - Отсечной кран водопроводной магистрали\*
- 12 - Водопроводная магистраль

\* Не входит в комплект поставки

\*\* В зависимости от партии товара УЗО может быть расположено не в составе сетевого шнура.

## Способы монтажа водонагревателя

Способ монтажа водонагревателя для нескольких точек потребления представлен на рис. 6.

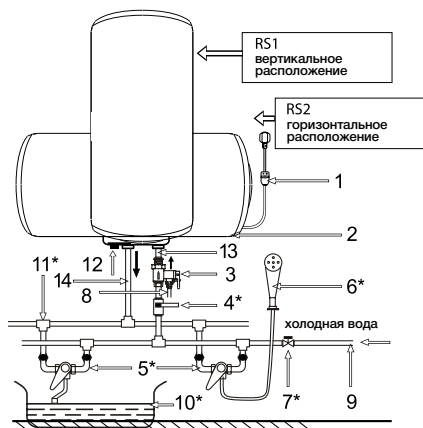


Рис. 6

- 1 - Сетевой шнур с вилкой и УЗО\*\*
- 2 - Смонтированный водонагреватель
- 3 - Комбинированный предохранительный клапан
- 4 - Кран входа холодной воды \*
- 5 - Смеситель \*
- 6 - Душевая насадка \*
- 7 - Отсечной кран водопроводной магистрали
- 8 - Сливная трубка
- 9 - Водопроводная магистраль
- 10 - Ванна \*
- 11 - Тройник\*
- 12 - Магниеый анод- патрубок для слива воды (для серии RS2)
- 13 - Входной патрубок

14 - Выходной патрубок

\* Не входит в комплект поставки

\*\* В зависимости от партии товара УЗО может быть расположено не в составе сетевого шнура.

## Монтаж водонагревателя



### ПРИМЕЧАНИЕ:

Пожалуйста, для установки водонагревателя используйте принадлежности, предоставленные производителем. Электрический водонагреватель нельзя крепить на стене до того, как вы убедитесь, что кронштейн установлен надёжно и прочно. В противном случае электрический водонагреватель может упасть со стены, что может привести к его повреждению и даже к серьёзным происшествиям с причинением вреда здоровью и получением травм.

При определении точек для отверстий под болты следует предусмотреть свободное пространство между нижней частью водонагревателя и полом, для серии RS2 между правой стороной водонагревателя и стеной справа, не менее 0,6 м.

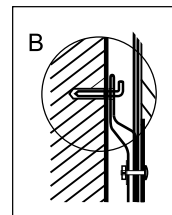


Рис. 7

1. Электрический водонагреватель следует устанавливать на прочной стене. Если прочность стены не позволяет удерживать вес, равный двойному весу общего веса водонагревателя, полностью заполненного водой, его следует устанавливать на специальной опоре.

2. После того, как вы выбрали правильное место установки водонагревателя, определите точки для отверстий под анкерные болты с крючками (определяются в соответствии со спецификацией прибора, который вы выбрали). Просверлите в стене два отверстия соответствующей глубины с использованием сверла, подходящего по размеру под анкерные болты, прилагаемые к водонагревателю.

После чего вставьте болты в просверленные отверстия и поворачивая крючки болтов по часовой стрелке плотно затяните гайки болтов, затем повесьте водонагреватель на крючки анкерных болтов (для серии RS1/RS2) (рис. 7).

3. Прикрепите сетевую розетку к стене. Требования к розетке следующие: 230~В/10А, однофазная, трёхпроводная. Рекомендуется разместить розетку с правой стороны выше водонагревателя.



#### ПРИМЕЧАНИЕ:

В местах или на стене, куда может попасть вода, высота установки электрической розетки должна быть не менее 1,8 м.

#### Подключение к водопроводной магистрали

1. Нагреватель подключается к водопроводной сети с давлением минимум 0,1 МПа, максимум 0,7 МПа



#### ПРИМЕЧАНИЕ!

Водонагреватель является прибором, действующим таким образом, что давление воды в водонагревателе, соответствует давлению воды в водопроводной магистрали. Если в магистрали давление превышает 0,7 МПа, то следует смонтировать перед водонагревателем редуктор давления, чтобы давление не превышало 0,7 МПа.

2. Для подключения водонагревателя к водопроводу применяются трубы диаметром G1/2.

3. Для предотвращения протечки при подсоединении труб используйте резиновые уплотнительные прокладки на резьбовых окончаниях труб.

4. На входной патрубок обозначенный голубым цветом и стрелкой направления течения воды накрутите предохранительный клапан так, чтобы течение воды совпадало с направлением стрелки на корпусе клапана.



#### ПРИМЕЧАНИЕ:

Между предохранительным клапаном и входным патрубком нельзя монтировать дополнительные приспособления, например, отсечной кран.

5. Нагреватель со смонтированным клапаном подключить к водопроводной сети - в месте подведения воды установить отсечной кран.

6. К выходному патрубку, обозначенному красным цветом, подсоединить желаемое количество точек потребления.

7. Проверить герметичность соединений: открыть отсечной кран и один из разборных кранов. После наполнения резервуара, о чем свидетельствует вытекание воды из разборного крана, закрыть разборный кран и проверить герметичность всех соединений.

#### Подключение к электрической сети



#### ВНИМАНИЕ!

Перед подключением накопительного водонагревателя убедитесь в том, что водонагреватель заземлен надлежащим образом. Правильное заземление важно для минимизации ударов током и опасности возгорания. Шнур питания оснащён вилкой, с контактом заземления. Устройство должно использоваться с правильно заземленной сетевой розеткой. Если розетка, которую Вы планируете использовать, не заземлена соответствующим образом или защищена предохранителем с задержкой на срабатывание или прерывателем цепи, свяжитесь с квалифицированным электриком для установки правильной розетки.

1. Водонагреватель рассчитан на подключение к электрической сети с однофазным напряжением 230–В. Перед подключением убедитесь, что параметры электросети в месте подключения соответствуют параметрам, указанным на маркировочной табличке с техническими данными прибора. При установке водонагревателя следует соблюдать действующие правила электробезопасности.

2. Электрическая розетка должна быть рассчитана на номинальный ток не ниже 10 А, электрический кабель с медной жилой сечением не менее 3 x 1,5 мм<sup>2</sup> (для меди).

Электрические розетка и вилка должны всегда оставаться сухими во избежание утечки электрического тока. Регулярно проверяйте, что электрическая вилка плотно подключена к розетке. Проверку проводите в следующем порядке: вставьте электрическую вилку в розетку, через полчаса работы выключите водонагреватель и выньте вилку из розетки, проверьте рукой, не нагрелась ли вилка. Если вилка нагрелась до температуры выше 50 °С, во избежание повреждений, происшедших, возникновения пожара в результате плохого электрического контакта замените розетку на другую. Это должен делать специалист.

3. Сетевой шнур прибора представляет собой единый блок с УЗО (Устройство защитного отключения)\*.



## ВНИМАНИЕ!

Для обеспечения надежной работы и безопасной эксплуатации водонагревателя перед первым включением проверьте правильность его подсоединения к электрической сети переменного тока 230–В. Подключаемый водонагреватель должен быть надежно соединен с заземляющим контуром вашей электрической сети. Если водонагреватель не будет заземлен, то в случае короткого замыкания УЗО, поставляемое в комплекте\*, может не сработать. Это опасно.

### УЗО (устройство защитного отключения) (рис. 8)

1. Подключите сетевой шнур к сети, индикатор (1) загорится.
2. Для тестирования нажмите кнопку (2), напряжение перестанет подаваться, индикатор (1) погаснет и кнопка перезапуска (3) поднимется вверх.
3. Для перезапуска нажмите кнопку (3), напряжение опять начнет подаваться и индикатор (1) загорится.



## ПРИМЕЧАНИЕ:

– если при нажатии кнопки тестирования (2) напряжение не включается и/или индикатор (1) продолжает гореть, это означает, что устройство безопасности УЗО работает некорректно.

– если при нажатии кнопки перезапуска (3) напряжение не подается и/или индикатор (1) не горит, это означает, что водонагреватель работает некорректно. В обоих случаях отключите водонагреватель и позвоните в сервисный центр.

– в целях уменьшения риска поражения током не разбирайте, не удаляйте и не заливайте жидкостью данное устройство.

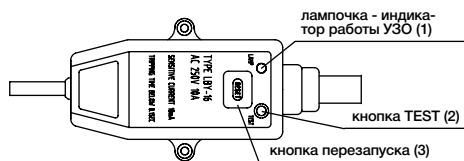


Рис. 8

## 8. УПРАВЛЕНИЕ ВОДОНАГРЕВАТЕЛЕМ

Панель управления для моделей

SWH RS1 30 V/SWH RS2 30 H

SWH RS1 50 V/SWH RS2 50 H

SWH RS1 80 V/SWH RS2 80 H

SWH RS1 100 V/SWH RS2 100 H

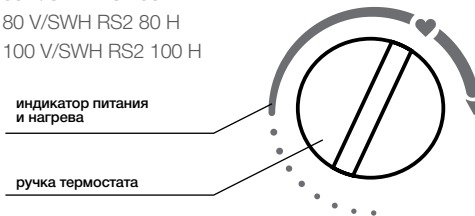


Рис. 9

## 9. ЭКСПЛУАТАЦИЯ ВОДОНАГРЕВАТЕЛЯ

### Серия RS1/RS2

1. Сначала откройте один из выпускных кранов на выходе из водонагревателя, затем откройте впускной кран. Электрический водонагреватель начнёт заполняться водой. Когда из выпускного крана свободно вытекает вода, это означает, что водонагреватель полностью заполнился водой и выпускной кран можно закрыть.



### ПРИМЕЧАНИЕ:

Во время обычной работы впускной кран должен быть установлен в положение «ореп» («открыт».)

2. Вставьте электрическую вилку в розетку, при этом должна загореться индикаторная лампочка на УЗО и голубой индикатор питания вокруг ручки термостата\*.



### ВНИМАНИЕ!

Электрическая розетка должна быть рассчитана на номинальный ток не ниже 10 А, электрический кабель с медной жилой сечением не менее  $3 \times 1,5 \text{ мм}^2$  (для меди).

Электрическая вилка прибора представляет собой единый блок с УЗО.

3. Данный прибор может автоматически контролировать температуру воды. Когда температура воды внутри водонагревателя достигает установленной пользователем температуры, подогрев автоматически выключится и температура воды будет поддерживаться за счёт теплоизоляционного слоя; когда температура воды понизится до определённого уровня, подогрев включится автоматически и восстановит нужную температуру воды, таким образом обеспечивается непрерывная подача горячей воды. Когда водонагреватель автоматически

выключится, индикаторная лампочка нагрева погаснет.

4. Поворачивая ручку термостата по часовой стрелке, вы увеличиваете желаемую температуру нагрева воды. Максимальное значение соответствует примерно  $+75^\circ\text{C}$  (желаемая температура воды во внутреннем резервуаре водонагревателя). Если вы хотите уменьшить температуру нагрева воды, то поворачивайте ручку против часовой стрелки.

5. Установив ручку термостата в положение «♥» вы выбираете наиболее комфортную температуру нагрева воды  $+58^\circ\text{C}$  ( $\pm 2^\circ\text{C}$ ).

Это также позволит эффективней расходовать электроэнергию.

## 10. ОБСЛУЖИВАНИЕ

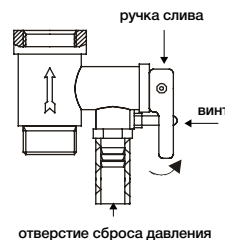


Рис. 10

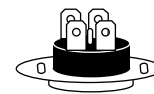


Рис. 11

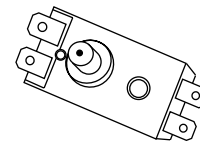


Рис. 12

1. Проверяйте электрические вилку и розетку как можно чаще. Должен быть обеспечен надёжный электрический контакт, а также правильное заземление. Вилка и розетка не должны чрезмерно нагреваться.

2. Если водонагреватель не используется продолжительное время, особенно в регионах с низкой температурой воздуха (ниже  $0^\circ\text{C}$ ), для предотвращения повреждения водонагревателя (по причине замёрзания воды во внутреннем резервуаре), воду из нагревателя следует слить.

3. Чтобы обеспечить надёжную работу водонагревателя в течение длительного времени, рекомендуется периодически чистить внутрен-



ний резервуар и убрать отложения на электрических нагревательных элементах водонагревателя, а также нужно периодически проверять состояние (полностью разложен или нет) магниевого анода, чтобы своевременно заменить его на новый, в случае его полного разложения.

Частота чистки бака зависит от жесткости воды, которая находится на данной территории. Чистку должны проводить специальные сервисные службы. Адрес ближайшего сервисного центра можно узнать у продавца или на сайте [www.timberk.com](http://www.timberk.com).



## ВНИМАНИЕ!

Производитель предоставляет увеличенную гарантию на отдельные компоненты водонагревателя при условии своевременного и правильного проведения периодического технического обслуживания прибора специалистами авторизованного сервисного центра (см. гарантийный талон).

4. Профилактические работы должны производиться при строгом соблюдении инструкции по эксплуатации и техники безопасности.

5. Водонагреватель оснащен термовыключателем, который прекращает подачу электроэнергии к ТЭНу, при перегреве воды или ее отсутствии в водонагревателе. Если водонагреватель включен в сеть, но не происходит нагрев воды и не горит индикаторная лампа, значит отключился или не был включен термовыключатель. Для возврата водонагревателя в рабочее состояние необходимо:

– отключить питание от электронагревателя, снять накладку боковой/нижней крышки для горизонтального/вертикального водонагревателя соответственно;

– для горизонтальных водонагревателей серии RS2: нажать до щелчка кнопку, расположенную по центру термовыключателя, который находится рядом с ТЭНом (имеет круглую форму), рис. 11;

– для водонагревателей серий RS1: открыть гайку крепления термовыключателя, закрепленного на фланце ТЭНа, перевернуть термовыключатель и нажать до щелчка кнопку, расположенную по центру термовыключателя рис. 12;

– если кнопка не нажимается и нет щелчка, то подождать пока термовыключатель остынет до исходной температуры.



## ВНИМАНИЕ!

Если данные действия не дали положительного результата или отключение термовыключателя происходит неоднократно в течение короткого промежутка времени, тогда следует отключить питание водонагревателя, перекрыть подачу воды в водонагреватель и обратиться в Авторизованный Сервисный Центр Timberk в Вашем регионе для получения консультации или ремонта изделия.

6. Чтобы правильно слить воду из внутреннего бака, надо воспользоваться сливным отверстием (только для серии RS2) (для этого открутите заглушку, закрывающую сливное отверстие), также воду можно слить через комбинированный предохранительный клапан (рис. 10) (для этого открутите винт ручки слива комбинированного предохранительного клапана и переведите ручку слива в верхнее положение, при это кран выхода горячей воды должен быть открыт, а кран подачи холодной воды в водонагреватель должен быть перекрыт).



## ВНИМАНИЕ!

Никогда не сливайте воду, если её температура выше 50 °С, т.к. это может привести к ожогам

7. Помните о контрольных проверках исправности действия предохранительного клапана каждые 14 дней – способ проверки:

– перевести ручку слива в верхнее положение до ощущения перехода резьбы и тогда из отверстия клапана должна потечь вода.

После проверки вытекания воды верните ручку в предыдущее положение.



## ВНИМАНИЕ!

Если вода не потечет, то клапан испорчен. В этом случае нельзя пользоваться нагревателем и рекомендуется вызвать сервисного мастера.

## 11. УСТРАНЕНИЕ НЕИСПРАВНОСТЕЙ

Возможные неисправности и методы их устранения

Таблица 4

Проблема	Возможные причины	Способ устранения
Индикаторные лампочки не горят, вода не греется	1. Повреждение устройства регулирования температуры.	1. Обратиться к специалисту по ремонту, в сервисный центр TIMBERK.
	2. Сработало или не было включено устройство ограничения температуры.	2. Включите термовыключатель, следуя инструкции по его включению.
	3. Повреждение устройства ограничения температуры.	3. Обратиться к специалисту по ремонту, в сервисный центр TIMBERK.
Из крана выходы горячей воды не течет вода	1. Отключена подача воды.	1. Подождать восстановления подачи воды.
	2. Слишком низкое давление воды.	2. Включить водонагреватель снова, когда восстановится нормальное давление воды.
	3. Закрыт кран подачи холодной воды.	3. Открыть кран подачи холодной воды.
Температура воды слишком высокая	Повреждение системы контроля температуры воды.	Обратиться к специалисту по ремонту, в сервисный центр TIMBERK.
Протечка воды	Нарушено уплотнение в месте подключения труб.	Заменить уплотнение соединения.
Вода течет из корпуса прибора	1. Разрушение внутреннего бака (коррозия)	Обратиться к специалисту по ремонту, в сервисный центр TIMBERK.
	2. Нарушено уплотнение в месте присоединения нагревательного элемента	
Индикаторная лампочка нагрева горит, но вода не греется	1. Повреждение устройства регулирования температуры.	1. Обратиться к специалисту по ремонту, в сервисный центр TIMBERK.
	2. Недостаточно времени для нагрева.	2. Подождать пока вода нагреется.
	3. Повреждение нагревательного элемента.	3. Обратиться к специалисту по ремонту, в сервисный центр TIMBERK.

## 12. ЭЛЕКТРИЧЕСКАЯ ПРИНЦИПИАЛЬНАЯ СХЕМА

Серия RS1/RS2



Рис. 13



### ПРИМЕЧАНИЕ:

Производитель имеет право вносить в устройство прибора любые изменения, улучшающие его технические и иные характеристики. Данные изменения могут быть внесены без предупреждения и предварительного уведомления потребителей.

Производитель не несет ответственности за изменение электросхемы изделия, которое может быть выполнено без уведомления потребителя.



### ВНИМАНИЕ!

Для обеспечения надежной работы и безопасной эксплуатации водонагревателя перед первым включением проверьте правильность его подключения к электрической сети переменного тока 230-В. Подключаемый водонагреватель должен быть надежно соединен с заземляющим контуром вашей электрической сети. Если водонагреватель не будет заземлен, то в случае короткого замыкания УЗО, поставляемое в комплекте, может не сработать. Это опасно.

Timberk снимает с себя любую ответственность за возможный вред, прямо или косвенно нанесенный продукцией Timberk людям, домашним животным, имуществу в случае, если это произошло в результате несоблюдения правил и условий эксплуатации, установки изделия, умышленных или неосторожных действий потребителя или третьих лиц.

Накопительный водонагреватель не предназначен для бесконтрольного использования детьми, пожилыми или недееспособными людьми. Эксплуатируйте водонагреватель бережно, не переключайте резко режимы и не включайте/выключайте быстро функции, строго следуйте рекомендациям, изложенным в данной инструкции по эксплуатации. Дети, находящиеся вблизи водонагревателя, должны быть под наблюдением взрослых, и ни в ко

**Гарантийный талон вложен в упаковку изделия!**



## ГАРАНТИЙНЫЙ ТАЛОН



Уважаемый покупатель!

Обратите внимание на необходимость вашей подписи  
на стр. 34

## Гарантийные обязательства

**Гарантийное обслуживание и ремонт бытового электрического накопительного водонагревателя TIMBERK с соблюдением требований и норм Изготовителя (TIMBERK) производится на территории РФ только в авторизованных сервисных центрах Изготовителя или мастерских, уполномоченных производителем и работающих с ним на основании договора.**

**Срок проведения экспертизы и гарантийного ремонта - не более 45 дней с момента приема дефектного изделия авторизованным сервисным центром TIMBERK.**

Если при эксплуатации изделия Вы столкнулись с неполадками в его работе, которые Вы не можете устранить самостоятельно в строгом соответствии с Руководством по эксплуатации изделия, обратитесь к региональному представителю Изготовителя в России или в региональный авторизованный сервисный центр TIMBERK, уточнив адрес у продавца.

Полный перечень сервисных центров указан на сайте [www.timberk.com](http://www.timberk.com) или приложен отдельным списком в комплекте с изделием.

Также Вы можете обратиться в уполномоченную сервисную службу Изготовителя по телефону: +7 (495) 627-5285, либо по телефонам, указанным на сайте: [www.timberk.com](http://www.timberk.com), или отправить сообщение по электронному адресу: [ru.service@timberk.com](mailto:ru.service@timberk.com)

Если отсутствие надлежащим образом заполненного гарантийного талона на изделии или отсутствие чека с указанием изделия не позволяет идентифицировать изделие и факт его продажи на территории РФ, то Изготовитель вправе отказать в гарантийном обслуживании изделия.

При невозможности определить дату продажи изделия, гарантийный срок исчисляется с даты его производства.

Дата производства изделия определяется по реестру Изготовителя в соответствии с серийным номером изделия.

Официальный срок службы бытового электрического накопительного водонагревателя TIMBERK, установленный изготовителем, составляет 10 лет, со дня передачи изделия потребителю.

Указанный срок службы действителен только при условии соблюдения правил эксплуатации и правильного ухода за изделием.

Во избежание недоразумений убедительно просим Вас внимательно изучить Руководство по эксплуатации изделия и условия гарантийных обязательств, проверить правильность заполнения бланка гарантийного талона. Согласно требованиям Изготовителя, гарантийный талон действителен только при наличии четко и правильно указанных данных:

модели, серийного номера изделия, даты покупки, данных фирмы-продавца, подписи покупателя. Соответствующие данные также должны быть указаны продавцом на отрывных талонах.

При проведении планового профилактического обслуживания изделия (для увеличения гарантийного срока) специалист сервисного центра обязан заполнить соответствующую часть гарантийного талона, поставить подпись и печать сервисного центра.

Модель и серийный номер изделия (на маркировочной (идентификационной) наклейке Изготовителя на изделии (TIMBERK ID) должны соответствовать указанным в гарантийном талоне продавцом. При нарушении этих условий, а также в случае, когда данные, указанные в гарантийном талоне, изменены или стерты, талон может быть признан недействительным.

Данным гарантийным талоном Изготовитель подтверждает принятие на себя обязательств по удовлетворению законных требований потребителей в случае обнаружения недостатков изделия, возникших по вине Изготовителя в течение установленного гарантийного срока.

Гарантийный срок для бытового накопительного водонагревателя TIMBERK, установленный изготовителем, составляет 1 год, со дня передачи изделия потребителю.

Гарантийный срок на течь ёмкости бытового накопительного водонагревателя TIMBERK объемом более 30 литров включительно, установленный изготовителем, составляет 2 года, со дня передачи изделия потребителю.

Увеличенный гарантийный срок\*

Увеличенный гарантийный срок для нагревательных элементов бытового накопительного водонагревателя TIMBERK составляет 3 года\*, со дня передачи изделия потребителю.

Увеличенный гарантийный срок на течь ёмкости бытового накопительного водонагревателя TIMBERK объемом более 30 литров включительно, составляет 5 лет\*, со дня передачи изделия потребителю.

Увеличенный гарантийный срок на течь ёмкости бытового накопительного водонагревателя TIMBERK объемом менее 30 литров, составляет 3 года\*, со дня передачи изделия потребителю.

\* - увеличенный гарантийный срок на отдельные компоненты и узлы изделий действует только при условии регулярного проведения профилактического обслуживания изделия специалистами авторизованного сервисного центра. После каждого обслуживания в гарантийном талоне должны проставляться печати сервисного центра, подтверждающие факт прохождения обслуживания. Если пользователь пропускает хотя бы одно обслуживание, то увеличенный гарантийный срок на указанный компонент перестаёт действовать, и гарантийный срок остается стандартным, как на весь прибор в целом. Перечень профилактических работ, а также примерные сроки прохождения периодического обслуживания, указаны в таблице 1.

[www.timberk.com](http://www.timberk.com) • электрический накопительный водонагреватель

29

Гарантийные обязательства дополняются и уточняются оговоренные закононом обязательства, предполагающие соглашение сторон либо договор; выдаются Изготовителем в дополнение к законным правам потребителей и ни в коей мере их не ограничивают.

Гарантия Изготовителя действительна только на территории РФ на изделия, купленные на территории РФ и изготовленные для РФ.

### **Изготовитель оставляет за собой право:**

- отказать в гарантийном сервисном обслуживании изделия в случае несоблюдения изложенных ниже условий (см. «Досрочное прекращение гарантийного обслуживания»);
- самостоятельно инициировать независимую экспертизу для выяснения обстоятельств, приведших к выходу прибора из строя;
- сравнивать предоставленную маркировочную (идентификационную) наклейку изделия (TIMBERK ID) с данными реестров производства для проверки соответствия серийного номера изделия уникальным производственным номерам реестров;
- предоставлять дополнительную гарантию; информация об условиях дополнительной гарантии содержится на сайте [www.timberk.com](http://www.timberk.com).

Просим Вас хранить Гарантийный талон в течение всего гарантийного срока, установленного Изготовителем на приобретенное Вами изделие.

При покупке изделия требуйте от продавца проверку его комплектности и отсутствия механических повреждений в Вашем присутствии, а также правильного и четкого заполнения данного гарантийного талона. Претензии по некомплектности и выявленным механическим повреждениям после продажи изделия не принимаются.

Для гарантийного ремонта предъявляйте данный Гарантийный талон вместе с товарным (кассовым) чеком или другим документом, подтверждающим дату и факт продажи изделия на территории РФ.

### **Общие правила установки, подключения и запуска в эксплуатацию изделий.**

Установка, подключение и запуск в эксплуатацию изделий торговой марки TIMBERK допускается исключительно специалистами и организациями, имеющими лицензии или соответствующие разрешения (допуски) на данный вид деятельности, либо специалистами и организациями, авторизованными для монтажа и/или обслуживания данного вида техники.

О необходимости проведения тех или иных монтажных и/или сервисных работ специализированными организациями Вы можете узнать, внимательно ознакомившись с Руководством по эксплуатации на приобретен-

ное Вами изделие.

Для монтажа приобретенного оборудования Вы можете воспользоваться платной услугой специалистов авторизованных сервисных центров TIMBERK, которые проведут все необходимые работы для длительного и безопасного использования приобретенного Вами изделия.

Вы можете также воспользоваться услугами любых других квалифицированных специалистов, однако, в этом случае, если изделие вышло из строя вследствие неправильной установки и подключения, Вы теряете право на бесплатное гарантийное обслуживание.

### **Досрочное прекращение гарантийного обслуживания.**

Все условия гарантийного обслуживания регулируются Законодательством РФ и Законом РФ «О защите прав потребителей». В частности, отказ в бесплатном гарантийном обслуживании изделия может быть вызван:

- нарушением при оформлении гарантийного талона при продаже изделия;
- отсутствием товарного или кассового чека о продаже изделия или невозможностью определить продавца изделия;
- наличием следов механических повреждений, возникших после передачи изделия потребителю и явившихся возможной причиной возникновения дефекта;
- наличием повреждений, вызванных несоответствием стандартам параметров питающих сетей и других подобных внешних факторов, а также вызванных использованием нестандартных, неоригинальных (или некачественных) аксессуаров, принадлежностей, запасных частей, элементов и т.д.;
- нарушением правил Руководства по эксплуатации данного изделия;
- наличием следов несанкционированного вскрытия и/или ремонта изделия (за исключением случаев, предусмотренных Руководством по эксплуатации), повлекших за собой отказ в работе изделия;
- дефектом или отказом системы или ее части, где изделие использовалось как часть системы и это могло привести к дефекту или отказу изделия.

**Гарантийные обязательства не распространяются на перечисленные ниже части и принадлежности изделия, если их замена не связана с разборкой самого изделия или их замена требуется при профилактическом обслуживании:**

- соединительные герметизирующие прокладки;
- дополнительные приспособления и документацию, прилагаемую к изделию;
- расходные части изделия, подразумевающие периодическую замену за счет потребителя, магниевые аноды и т.д.;
- материалы, наклеенные на изделие, имеющие рекламное или информационное назначение, за исключением маркировочной (идентификационной) наклейки Изготовителя (Timberk ID).



## ВНИМАНИЕ!

Если в результате экспертизы/диагностики изделия установлено, что его недостатки возникли вследствие обстоятельств, за которые не отвечает продавец (изготовитель), либо недостатки в товаре отсутствуют, Потребитель обязан возместить продавцу (изготовителю или уполномоченной изготовителем организации) расходы на проведение экспертизы (диагностики), а также связанные с ее проведением расходы на хранение и транспортировку товара в соответствии с Законом РФ «О защите прав потребителей» № 171-ФЗ в ред. от 21.12.2004 ст. 18 п.5.

### Изготовитель не несет гарантийных обязательств за изделие в следующих случаях:

- если изделие использовалось в иных целях, не соответствующих его прямому назначению в соответствии с Руководством по эксплуатации;
- если на изделии отсутствует маркировочная (идентификационная) табличка Изготовителя (Timberk ID);
- если изделие имеет следы несанкционированного вскрытия, не предусмотренного Руководством по эксплуатации, и попыток неквалифицированного ремонта;
- если дефект вызван изменением/нарушением конструкции или схемы изделия, не предусмотренным Изготовителем;
- если обнаружены повреждения, вызванные попаданием внутрь изделия посторонних предметов, веществ, жидкостей, насекомых, ско-

плениями большого количества пыли;

- если обнаружены повреждения, связанные с замерзанием внутри прибора жидкостей, отложением накипи на нагревательном элементе и внутренних поверхностях прибора, вызванных большим содержанием в воде солей железа, натрия, кальция, марганца и др.;
- если обнаружены повреждения, вызванные подключением к электрической или водопроводной сети с недопустимыми параметрами;
- если дефект вызван действием непреодолимых сил, несчастными случаями, умышленными или неосторожными действиями потребителя или третьих лиц;
- если нарушены требования Изготовителя по проведению обязательных для сохранения гарантии и продления срока службы профилактических работ, описанных в Руководстве по эксплуатации;
- неправильного хранения (консервации / разборки-сборки на период хранения) изделия;
- если монтаж и использование изделия производится без разрешительной документации исполнительных органов власти субъектов РФ там, где подобная документация требуется в соответствии с требованиями законодательства РФ (в т.ч. Жилищного Кодекса РФ);
- в случае эксплуатации изделия с неправильно отрегулированными гидравлическими редукторами, прочими блоками и устройствами, требующими предварительной и/или периодической настройки и регулировки (если данные виды работ производились неуполномоченными на то организациями или лицами, либо были нарушены сроки проведения плановых регламентных/профилактических работ согласно Руководству по эксплуатации).

Изготовитель снимает с себя любую ответственность за возможный вред, прямо и или косвенно нанесенный продукцией TIMBERK людям, домашним животным, и имуществу, в случаях, если это произошло в результате несоблюдения правил и условий эксплуатации или вследствие неквалифицированного монтажа, обслуживания и ремонта изделия, умышленных или неосторожных действий потребителя или третьих лиц.



## ВНИМАНИЕ!

Если маркировочная (идентификационная) наклейка на изделие TIMBERK (TIMBERK ID) закреплена на изделии не плотно и существует риск ее утери, то вклейте ее в гарантийный талон на последней странице.

**Помните!** Изготовитель/импортер/продавец не несет ответственности в случае возникновения недостатков изделия из-за неправильных/некачественных монтажных, сервисных, профилактических работ неавторизованными организациями и специалистами.

Гарантийные обязательства Изготовителя не распространяются на случаи:

- если обнаружены повреждения, связанные с замерзанием внутри прибора жидкостей, отложением накипи на нагревательных элементах и внутренних поверхностях прибора, вызванных большим содержанием в воде железа, натрия, кальция, марганца и др.;
- если обнаружены повреждения, вызванные подключением к сетям (электрической, водопроводной) с недопустимыми параметрами, даже в случае кратковременного и однократного превышения параметров, указанных на маркировочной табличке Изготовителя на приборе и в Руководстве по эксплуатации на изделие;
- если водонагреватель эксплуатировался без защитных устройств или совместно с устройствами, имеющими не соответствующие водонагревателю технические характеристики и/или не рекомендованными Изготовителем (см. на сайте [www.timberk.com](http://www.timberk.com) или в Руководстве по эксплуатации);
- если обнаружены повреждения внутренних эмалированных емкостей из-за коррозии вследствие несвоевременной замены магниевого анода;
- если прибор вышел из строя в случае неиспользования потребителем умягчителя воды в районах, где вода по жесткости отличается от нормативов, принятых Изготовителем (см. на сайте [www.timberk.com](http://www.timberk.com) или в Руководстве по эксплуатации).

Таблица 1.

Рекомендуемые профилактические работы для увеличения гарантийного срока на внутреннюю ёмкость водонагревателя и нагревательный (-е) элемент (-ы), а также для выполнения условия долговременной работы водонагревателя в рамках заявленного срока службы и более.

Наименование рекомендуемых профилактических работ	Периодичность выполнения рекомендуемых профилактических работ для увеличения гарантии на нагревательный (-е) элемент (-ы)	Периодичность выполнения рекомендуемых профилактических работ для увеличения гарантии на внутреннюю ёмкость
Первоначальная проверка наличия и интенсивности образования накипи на нагревательном (-ых) элементе (-ах), определение сроков последующей проверки и удаления накипи, а также при необходимости удаление накипи с нагревательного (-ых) элемента (-ов).	Через первые 0,5 года после начала эксплуатации	–
Удаление накипи с нагревательного (-ых) элемента (-ов).	Не реже 1 раза в год или чаще в зависимости от определения интенсивности образования накипи на нагревательном (-ых) элементе (-ах), при первоначальной проверке.	–
Первоначальная проверка интенсивности образования накипи и осадка во внутренней ёмкости, определение сроков последующей проверки и очистки водонагревателя, а также при необходимости очистка водонагревателя.	–	Через первые 0,5 года после начала эксплуатации
Очистка внутренней ёмкости водонагревателя.	Не реже 1 раза в год или чаще в зависимости от определения интенсивности образования накипи и осадка во внутренней ёмкости, при первоначальной проверке.	Не реже 1 раза в год или чаще в зависимости от определения интенсивности образования накипи и осадка во внутренней ёмкости, при первоначальной проверке.
Первоначальная проверка состояния магниевого анода, интенсивности его разложения, определения сроков последующей проверки и замены магниевого анода, а также при необходимости его замены.	Через первые 0,5 года после начала эксплуатации	Через первые 0,5 года после начала эксплуатации
Замена магниевого анода.	Не реже 1 раза в год или чаще в зависимости от определения интенсивности разложения магниевого анода, при первоначальной проверке.	Не реже 1 раза в год или чаще в зависимости от определения интенсивности разложения магниевого анода, при первоначальной проверке.





### ПРИМЕЧАНИЕ:

Периодичность профилактического обслуживания, а также сроки замены магниевого анода для водонагревателей устанавливается мастером авторизованного сервисного центра при первом плановом обслуживании и определяется исходя из условий эксплуатации водонагревателя, жесткости и степени загрязненности воды. При проведении работ специалистом сервисного центра должна быть произведена соответствующая отметка в гарантийном талоне. При самостоятельном проведении замены анодного стержня владелец должен сохранять чеки на покупку магниевого анода.



### ПРИМЕЧАНИЕ:

Пожалуйста, потребуйте от продавца полностью, четко и правильно заполнить бланк Гарантийного талона и отрывные талоны.

Для ряда территорий могут действовать исключительные правила гарантии, увеличивающие срок на изделие или компоненты. Такие правила устанавливаются только по распоряжению Производителя официальным письмом Производителя.



### ПРИМЕЧАНИЕ!

Техническое (профилактическое) обслуживание изделия (в т.ч. замена магниевого анода водонагревателя) не входит в гарантийные обязательства изготовителя и продавца и является дополнительной платной услугой.



### ВНИМАНИЕ!

Большинство приборов торговой марки TIMBERK требуют профессиональных консультаций со специалистами соответствующей квалификации в процессе подбора, а также при вводе их в эксплуатацию. Производитель рекомендует приобретать приборы TIMBERK только у авторизованных им продавцов. В предоставлении дополнительной гарантии может быть отказано, если прибор TIMBERK был приобретен у продавцов, указанных соответствующем разделе на сайте [www.timberk.com](http://www.timberk.com), не исполняющих полностью или частично требований производителя к правилам обслуживания покупателей, а также требований производителя к предоставлению стандартных условий приобретения приборов TIMBERK.



### ВНИМАНИЕ!

Если изделие использовалось в соответствии с его целями применения, установленными Руководством по эксплуатации, в рамках осуществления предпринимательской деятельности, то гарантийный срок изделия составляет 3 (три) месяца с момента продажи изделия или 5 (пять) месяцев с момента производства изделия, если дата продажи не установлена.

## Бланк гарантийного талона.

Заполняется фирмой-продавцом

Изделие	
Модель	
Серийный номер	
Дата продажи	
Фирма-продавец	
Адрес фирмы продавца	
Телефон фирмы продавца	

**Без подписи покупателя Гарантийный талон является недействительным.**



Печать  
фирмы-продавца

Заполняется сервисным центром

«А»

Дата приема	
Дата выдачи	
Особые отметки	

Печать  
сервисного центра

«Б»

Дата приема	
Дата выдачи	
Особые отметки	

Печать  
сервисного центра

«В»

Дата приема	
Дата выдачи	
Особые отметки	

Печать  
сервисного центра

«Г»

Дата приема	
Дата выдачи	
Особые отметки	

Печать  
сервисного центра

Подписывая данный гарантийный талон, Покупатель признает, что он:

1. Проверил заполнение информации.
2. Получил Руководство по эксплуатации на изделие на русском языке.
3. Владеет всей необходимой информацией о приобретенном изделии и его потребительских свойствах, характеристиках в соответствии со статьей 10 Закона РФ «О защите прав потребителей».
4. Ознакомлен и полностью согласен с условиями и ограничениями гарантийного обслуживания, а также с условиями установки / подключения / сервисного обслуживания / эксплуатации приобретенного изделия.
5. Не имеет претензий к внешнему виду / комплектности / работоспособности (если прибор проверен в его присутствии при продаже) приобретенного изделия.

Подпись покупателя (с расшифровкой)

\_\_\_\_\_ / \_\_\_\_\_ /

Дата \_\_\_\_\_

**Отрывной талон«А»**

Изделие	
Модель	
Серийный номер	
Дата продажи	
Фирма-продавец	

Заполняется фирмой-продавцом

Печать  
фирмы-продавца

**Отрывной талон«Б»**

Изделие	
Модель	
Серийный номер	
Дата продажи	
Фирма-продавец	

Заполняется фирмой-продавцом

Печать  
фирмы-продавца

**Отрывной талон«В»**

Изделие	
Модель	
Серийный номер	
Дата продажи	
Фирма-продавец	

Заполняется фирмой-продавцом

Печать  
фирмы-продавца

**Отрывной талон«Г»**

Изделие	
Модель	
Серийный номер	
Дата продажи	
Фирма-продавец	

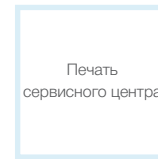
Заполняется фирмой-продавцом

Печать  
фирмы-продавца



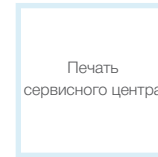
Дата приема	
Дата выдачи	
Номер заказа-наряда	
Проявление дефекта	
Мастер	
Код неисправности	

Заполняется сервисным центром



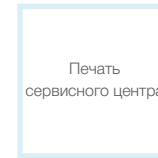
Дата приема	
Дата выдачи	
Номер заказа-наряда	
Проявление дефекта	
Мастер	
Код неисправности	

Заполняется сервисным центром



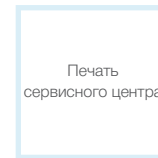
Дата приема	
Дата выдачи	
Номер заказа-наряда	
Проявление дефекта	
Мастер	
Код неисправности	

Заполняется сервисным центром



Дата приема	
Дата выдачи	
Номер заказа-наряда	
Проявление дефекта	
Мастер	
Код неисправности	

Заполняется сервисным центром



**Профилактическое обслуживание изделия. (Заполняется специалистом авторизованного сервисного центра)**

№№	Дата выполнения работ	Перечень выполненных работ	Наименование СЦ	Ф.И.О. Исполнителя подпись печать

Профилактическое обслуживание изделия. (Заполняется специалистом авторизованного сервисного центра)

№№	Дата выполнения работ	Перечень выполненных работ	Наименование СЦ	Ф.И.О. Исполнителя подпись печать



RU

**Руководство по эксплуатации  
техники Timberk написано  
на английском языке и  
переведено на русский язык.**



BY

В целях информирования покупателей техники Timberk, мы дополнительно сообщаем, что русский является государственным языком в следующих государствах:

- в Российской Федерации
- в Республике Беларусь наряду с белорусским языком
- в частично признанной Южной Осетии наряду с осетинским языком



OS



KZ

Русский язык является официальным языком (во всех случаях другой язык или другие языки выступают как государственный или второй официальный) в следующих государствах и на территориях:



AK



KG

- в Республике Казахстан
- в Киргизской Республике
- в административных единицах Украины, где доля носителей русского языка составляет более 10%, при соответствующем решении местных советов
- в Автономной Республике Крым



UA



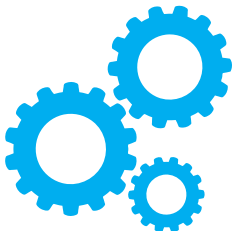
TJ

В Республике Таджикистан русский язык признан по Конституции языком межнационального общения.



CIS

Официальным языком международной организации Содружество Независимых Государств (СНГ) является русский язык.



[www.btpart.ru](http://www.btpart.ru)

Все расходные материалы для продукции Timberk вы можете приобрести на сайте [www.btpart.ru](http://www.btpart.ru)

**Уважаемый покупатель!**

Timberk предоставляет вам специальный сервис в рамках программы клиентской поддержки. Теперь вы всегда сможете заказать и оформить доставку на запасные части и расходные материалы, необходимые для оптимальной, качественной работы техники Timberk в течение всего срока службы на едином портале [www.btpart.ru](http://www.btpart.ru).

Всю информацию о работе портала вы также всегда сможете увидеть на сайте [www.timberk.com](http://www.timberk.com). Мы искренне надеемся, что этот уникальный дополнительный сервис поможет вам сделать жизнь с Timberk еще удобнее!







Если вы заметили ошибку в руководстве по эксплуатации, пожалуйста, сообщите нам об этом, связавшись с нами по электронной почте, указанной на сайте [www.timberk.com](http://www.timberk.com)

If you found any mistake in this manual please let us know by email listed on [www.timberk.com](http://www.timberk.com)

---

---

---

---

---

---

---

---

---

---

---

---

---

---

---

---

---

---

---

---

---

---

---

---

---





[www.timberk.com](http://www.timberk.com)

**EAC**