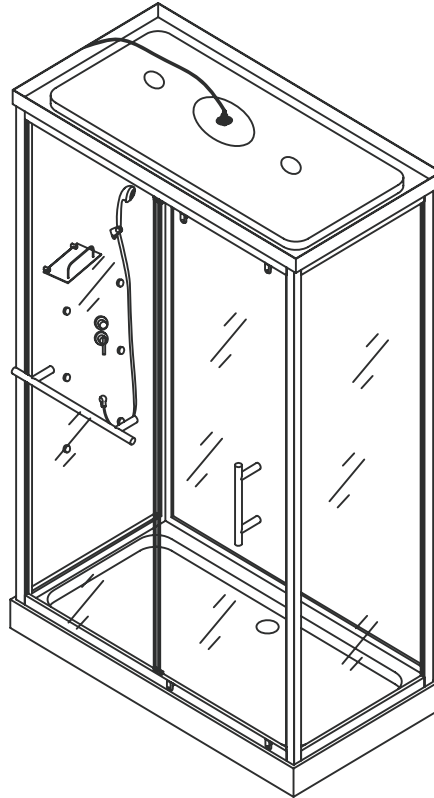
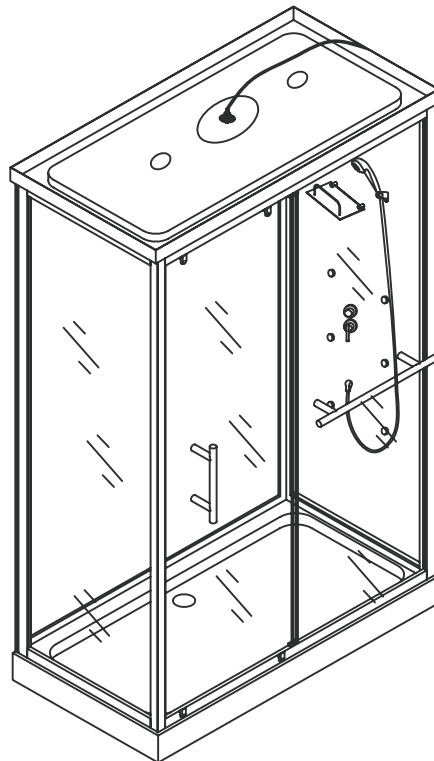


# Manual Instruction

L

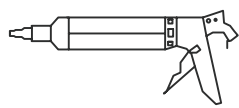
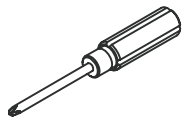
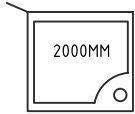
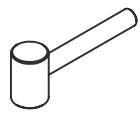
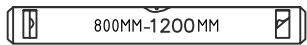
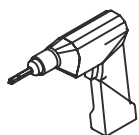
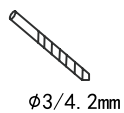


R

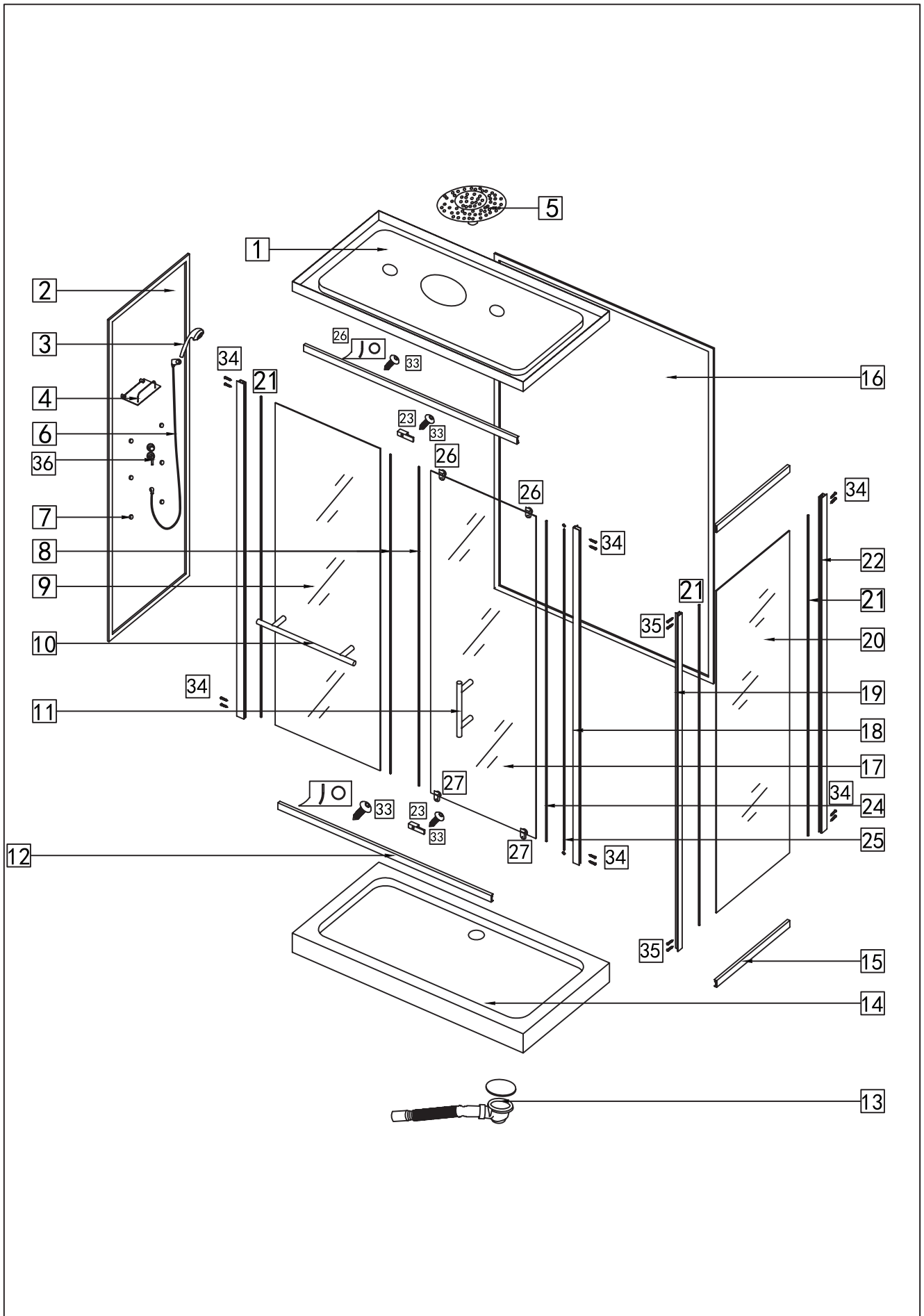


Model: TM-777 L/R

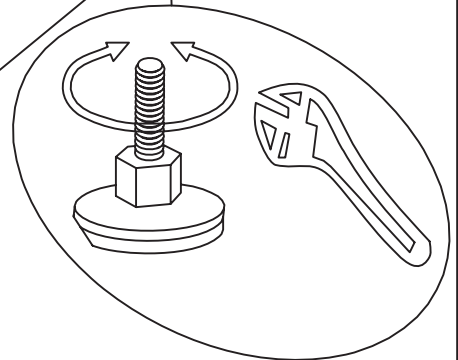
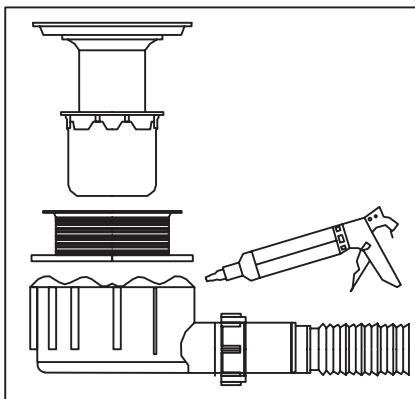
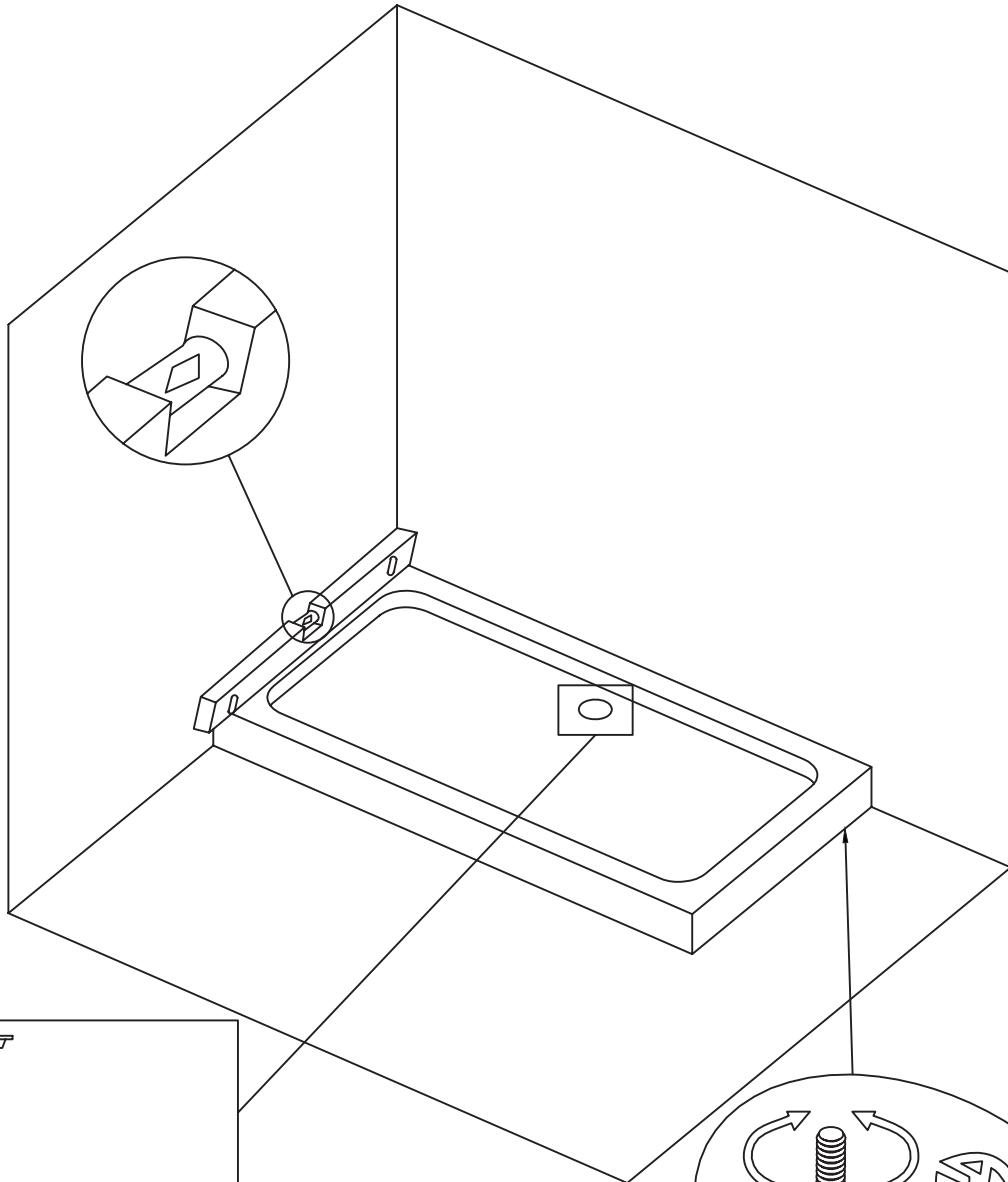
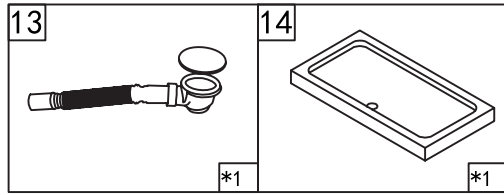
Size: 120x80x215cm



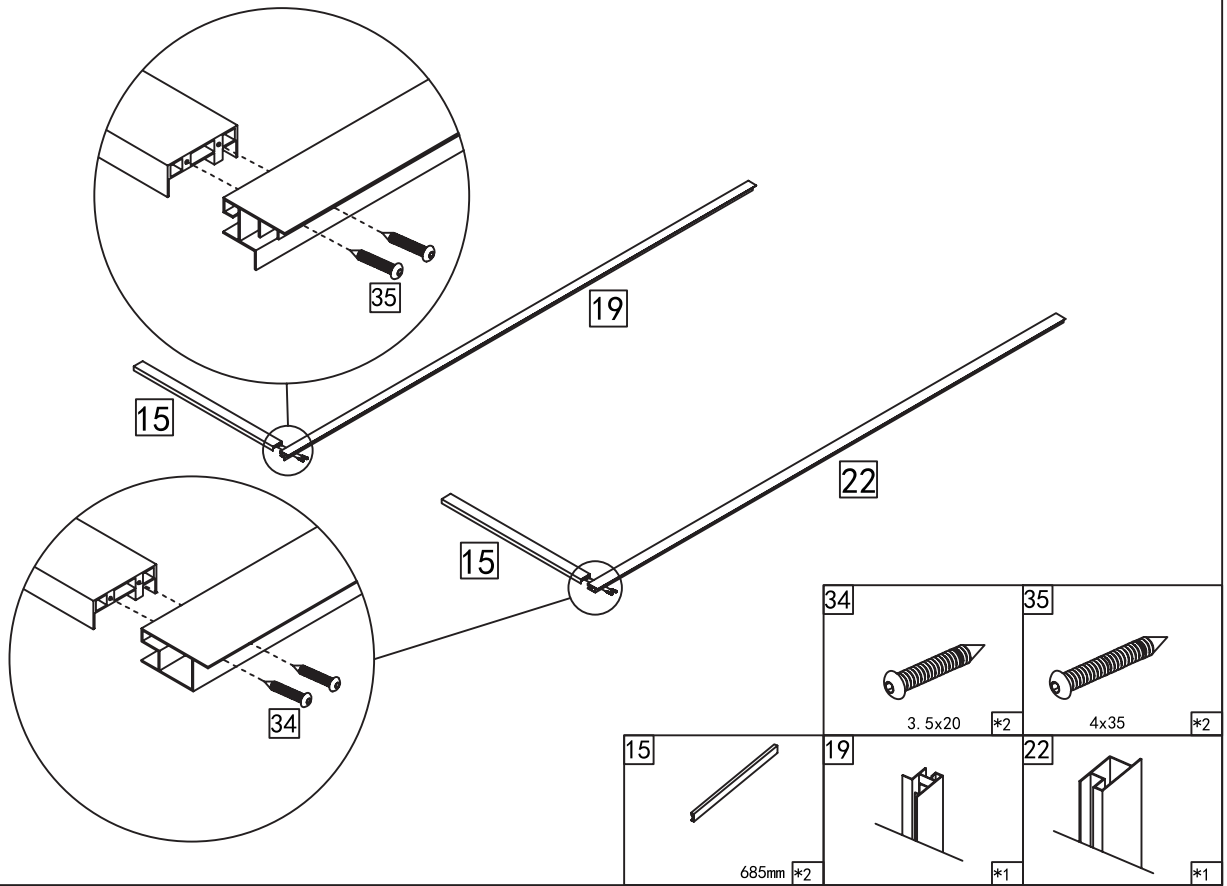
1  *1	2  1900x710mm *1	3  *1+1	4  *1	5  *1
6  *1+1	7  *6	8  1840mm+1880mm *2	9  1835x520mm *1	10  *1
11  *1	12  1080mm *2	13  *1	14  *1	15  685mm *2
16  1900x1110mm *1	17  1880x580mm *1	18  *2	19  *1	20  1837x705mm *1
21  *3	22  *2	23  *2	24  *1	25  *1+2
26  *2+1	27  *2+1	28  *11	29  290mm *4	30  600mm *1
31  1600mm+600mm+400mm *1+1+1	32  4x12 *34	33  4x12 *6	34  3.5x20 *14	35  4x35 *4
36  *1				



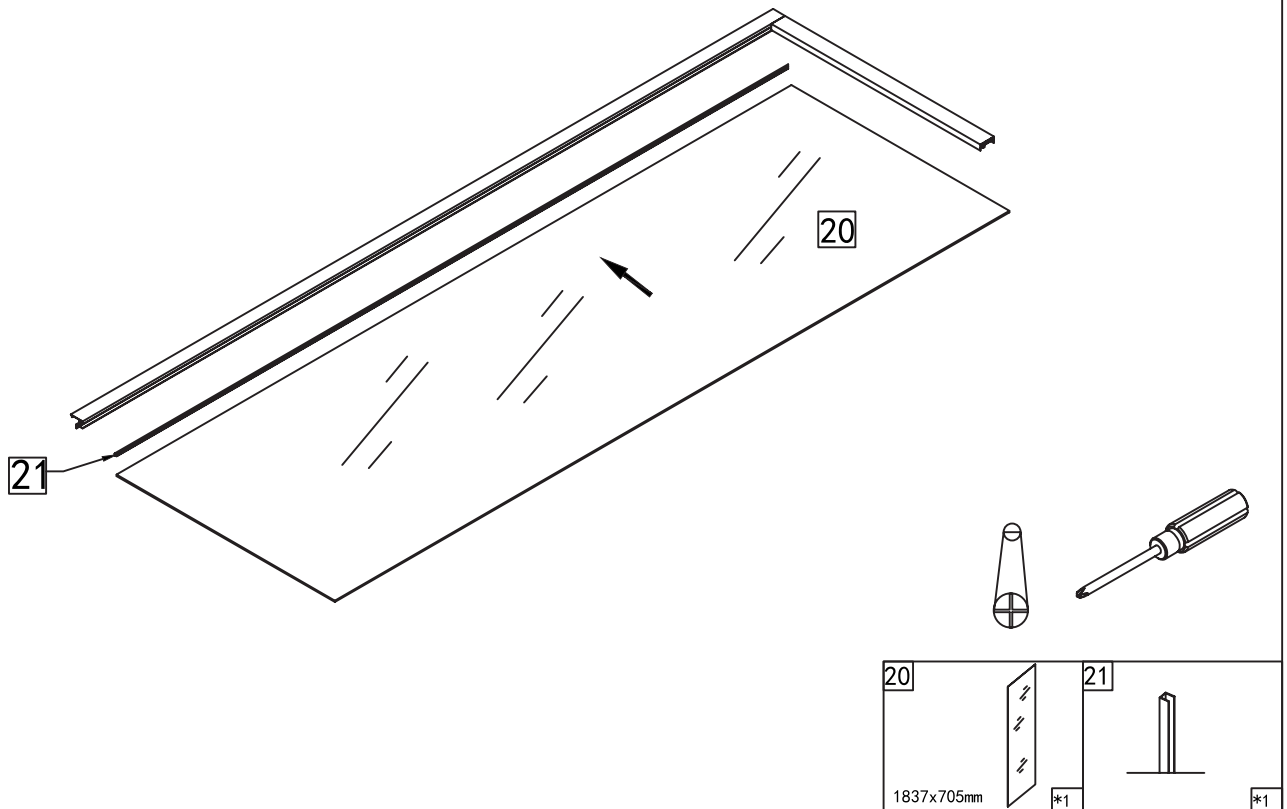
1



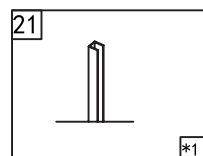
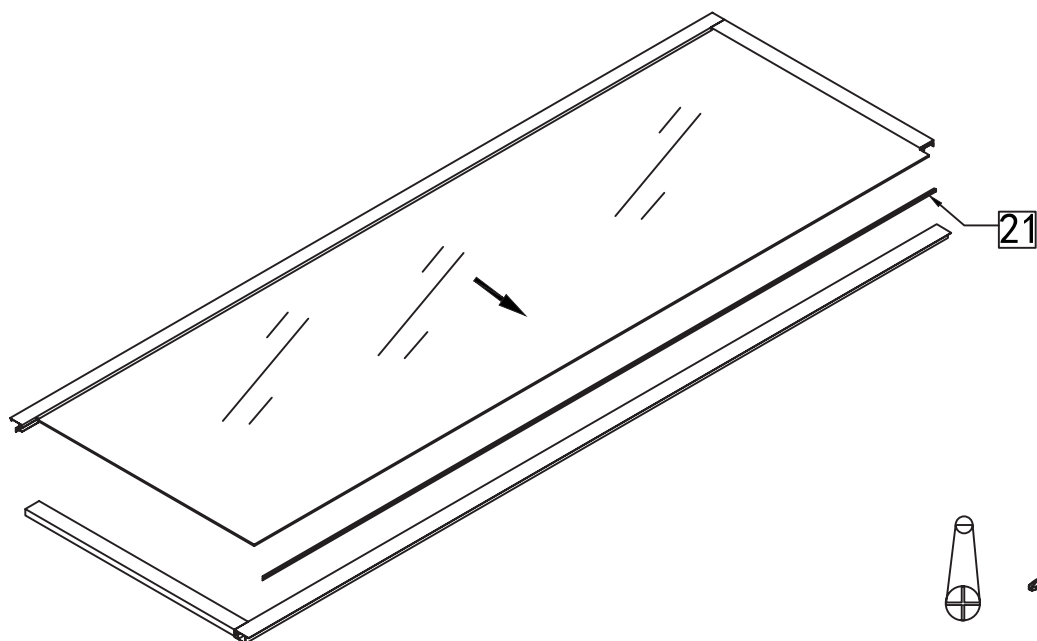
2



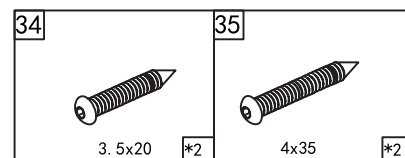
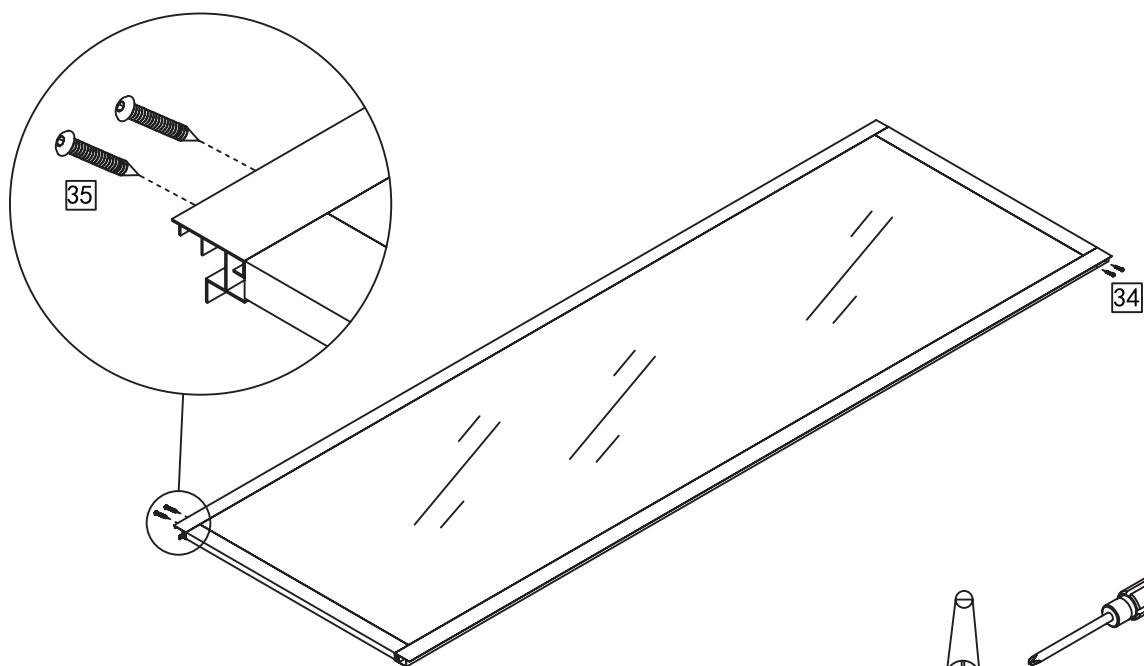
3



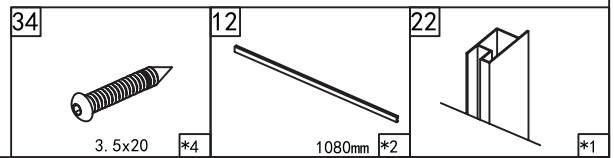
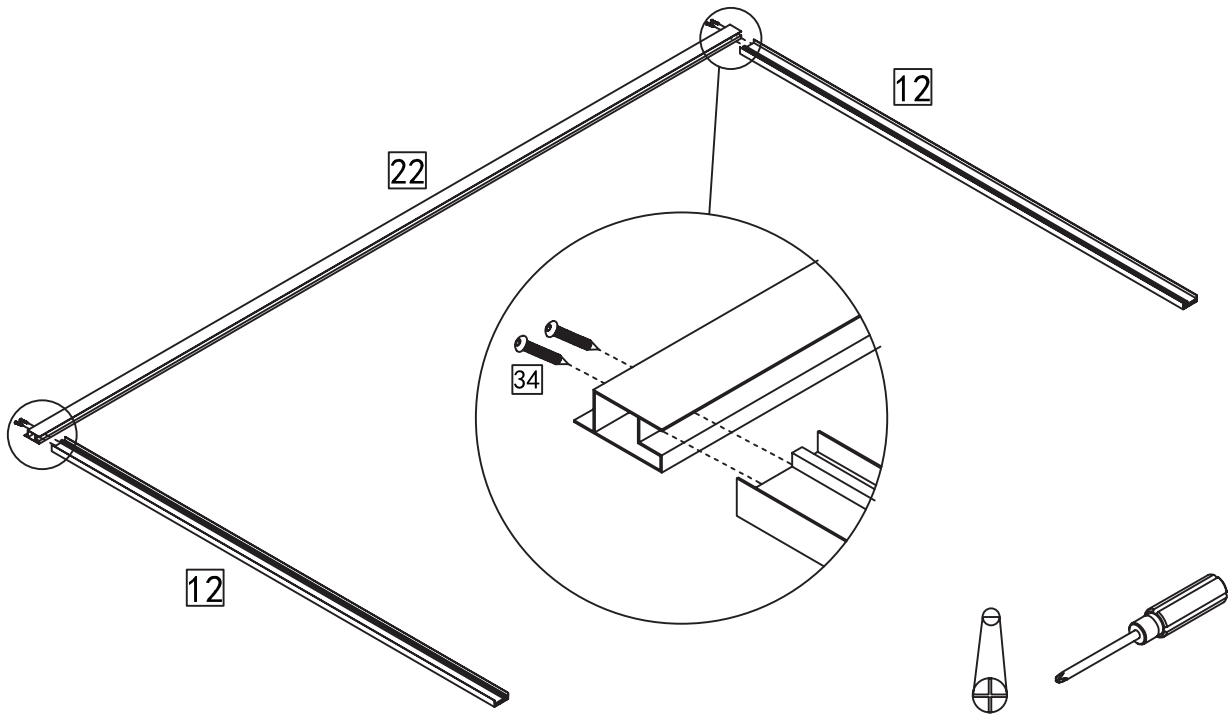
4



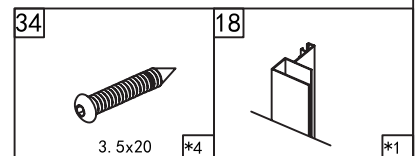
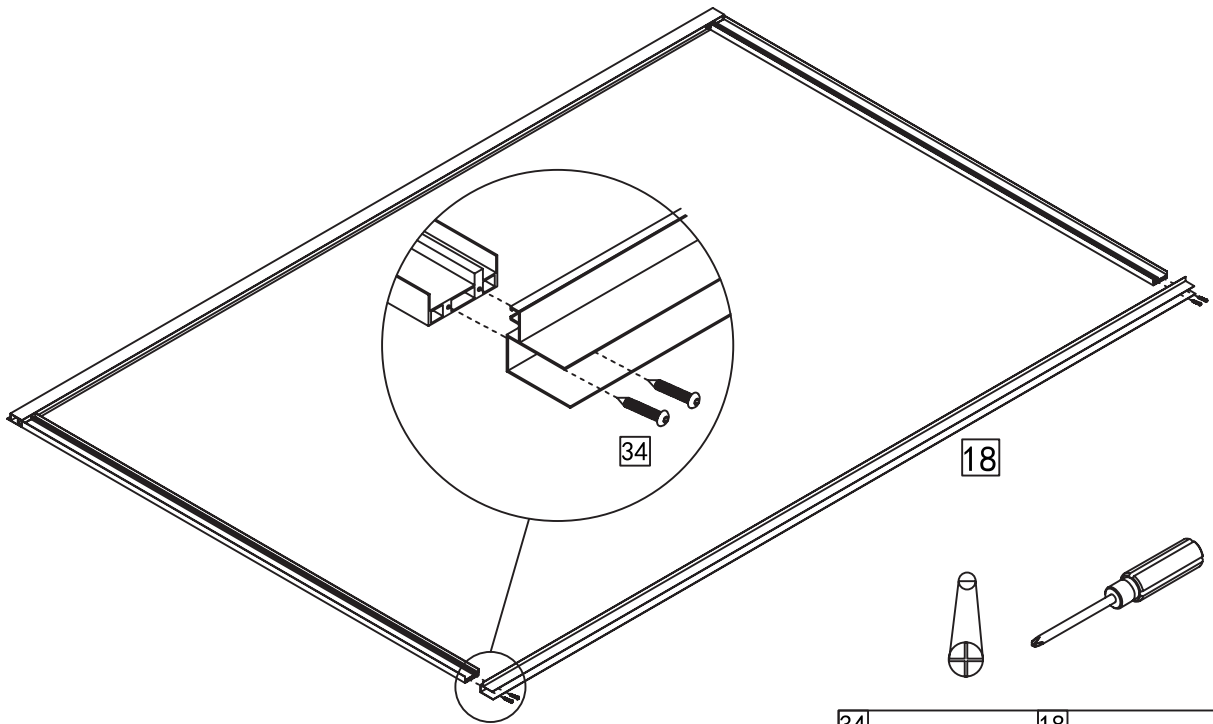
5

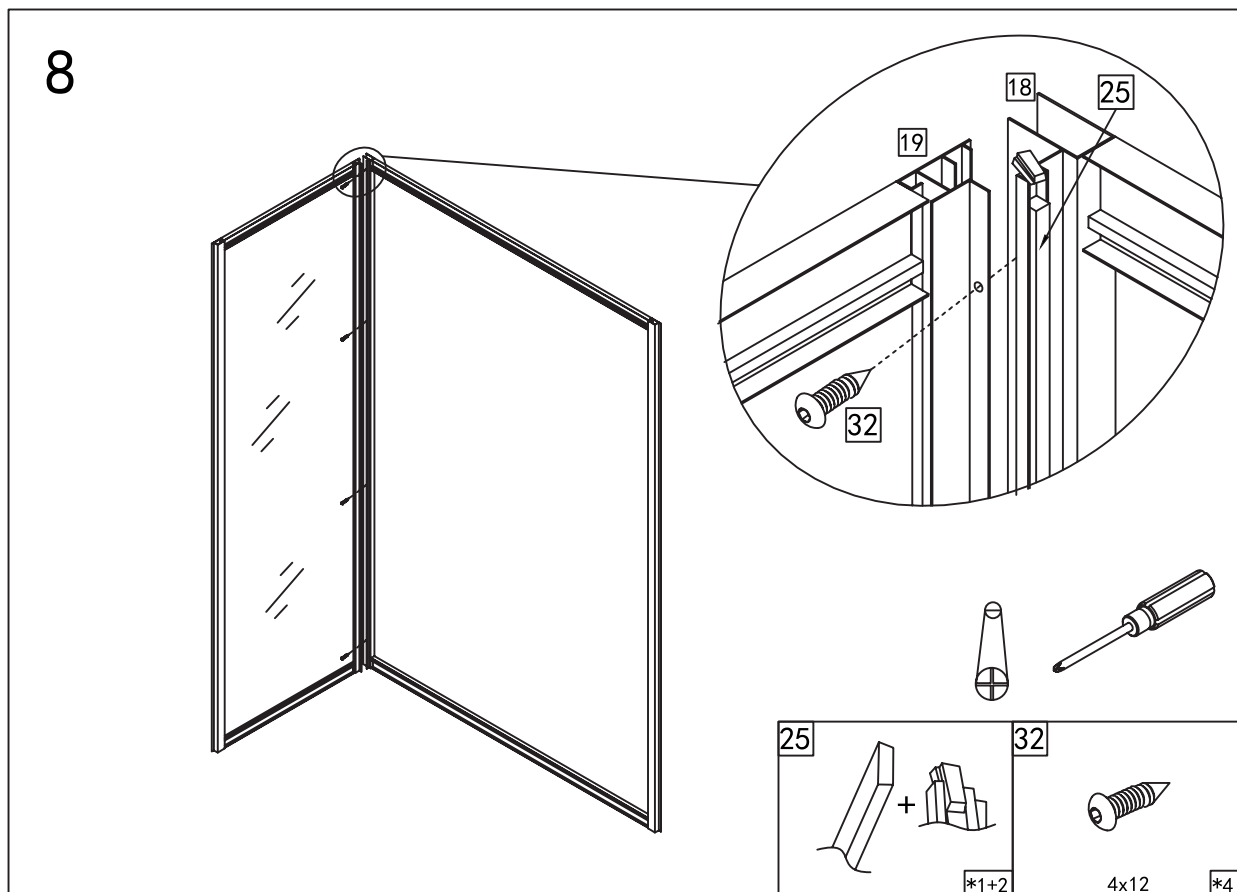


6

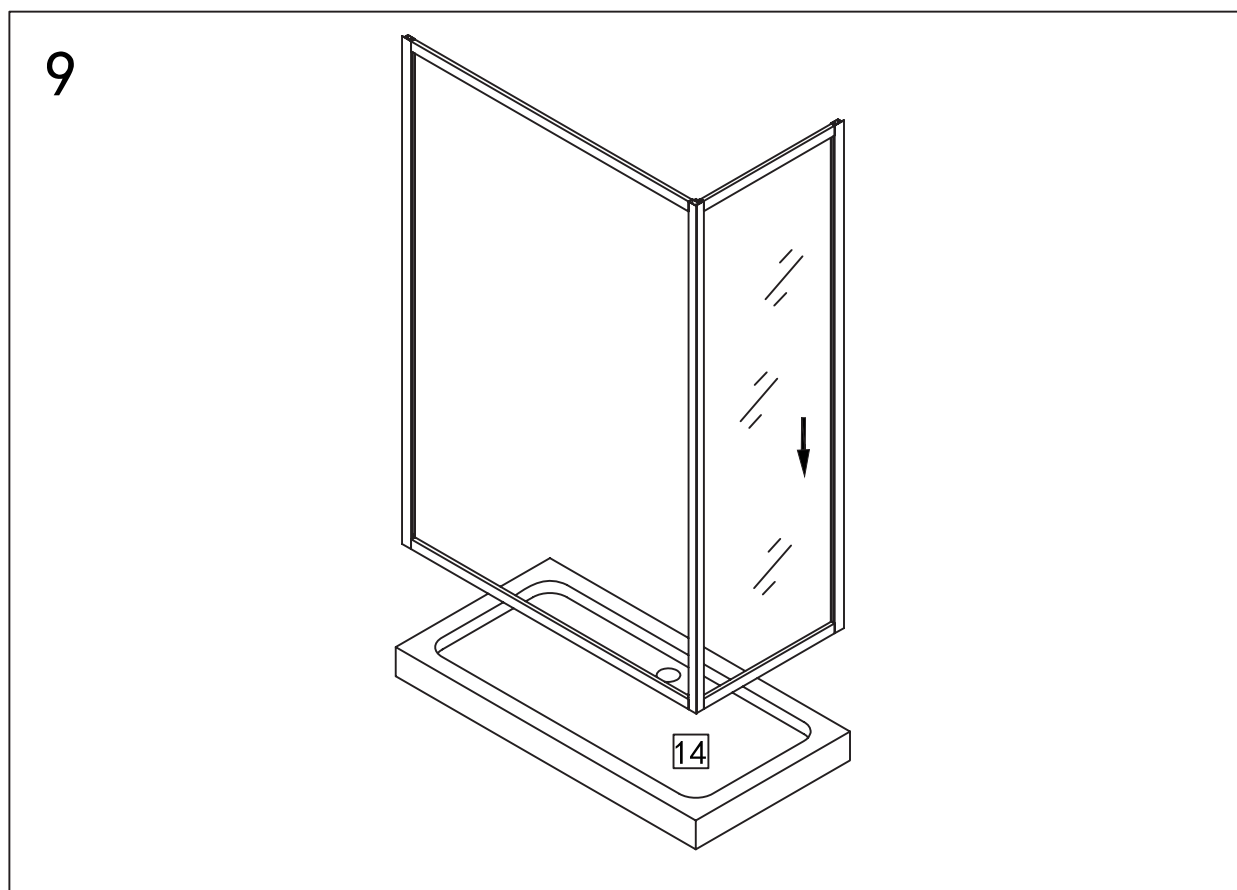


7



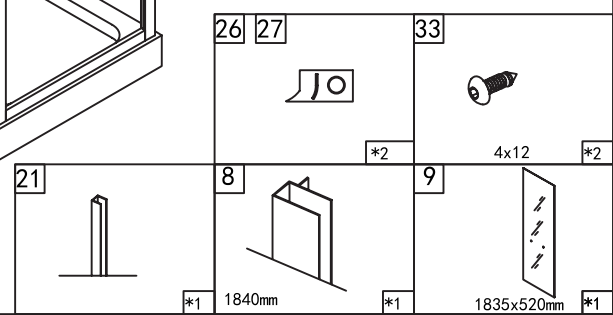
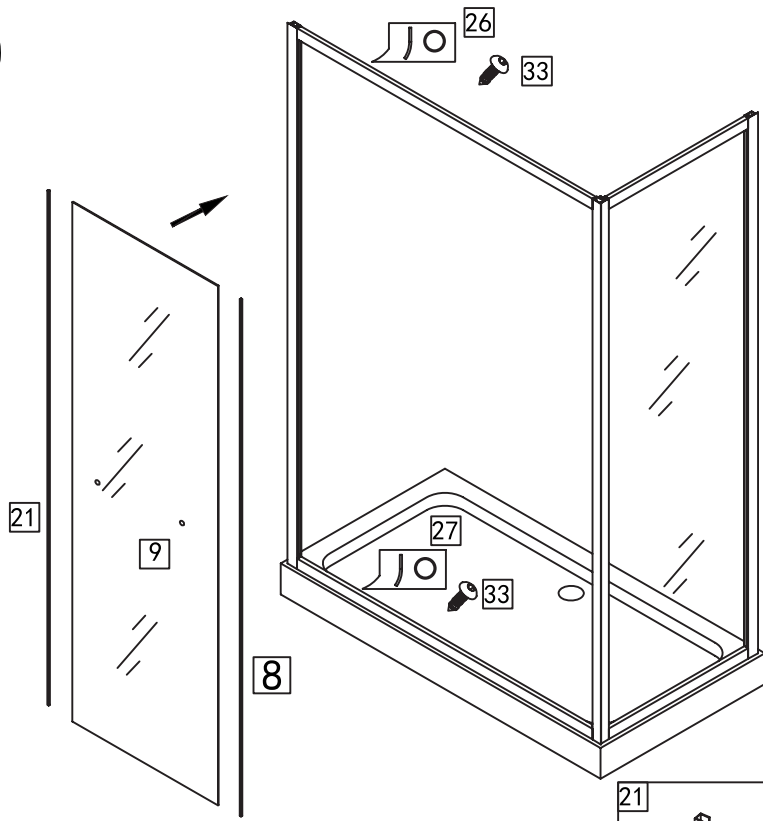


If you need install the cabin as same as **L**,  
please check the following steps

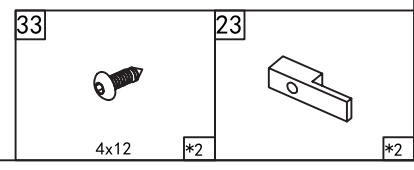
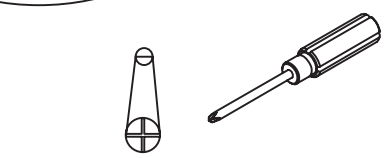
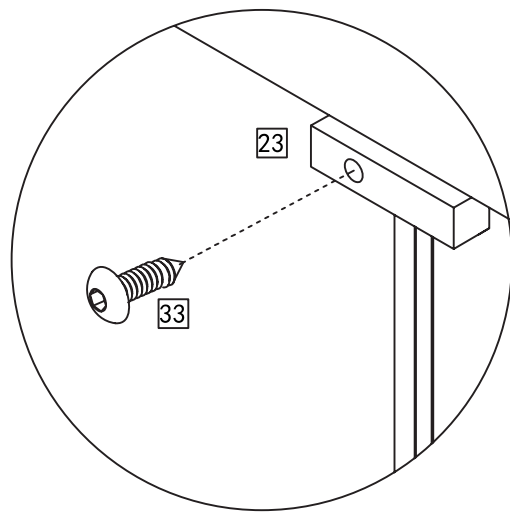
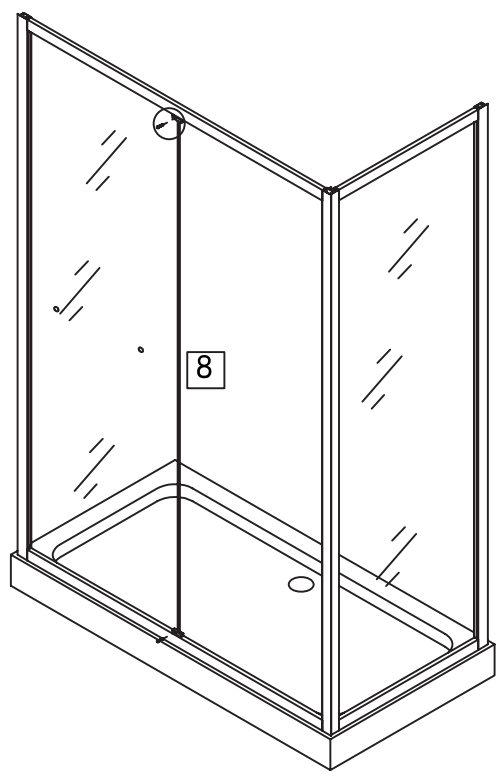




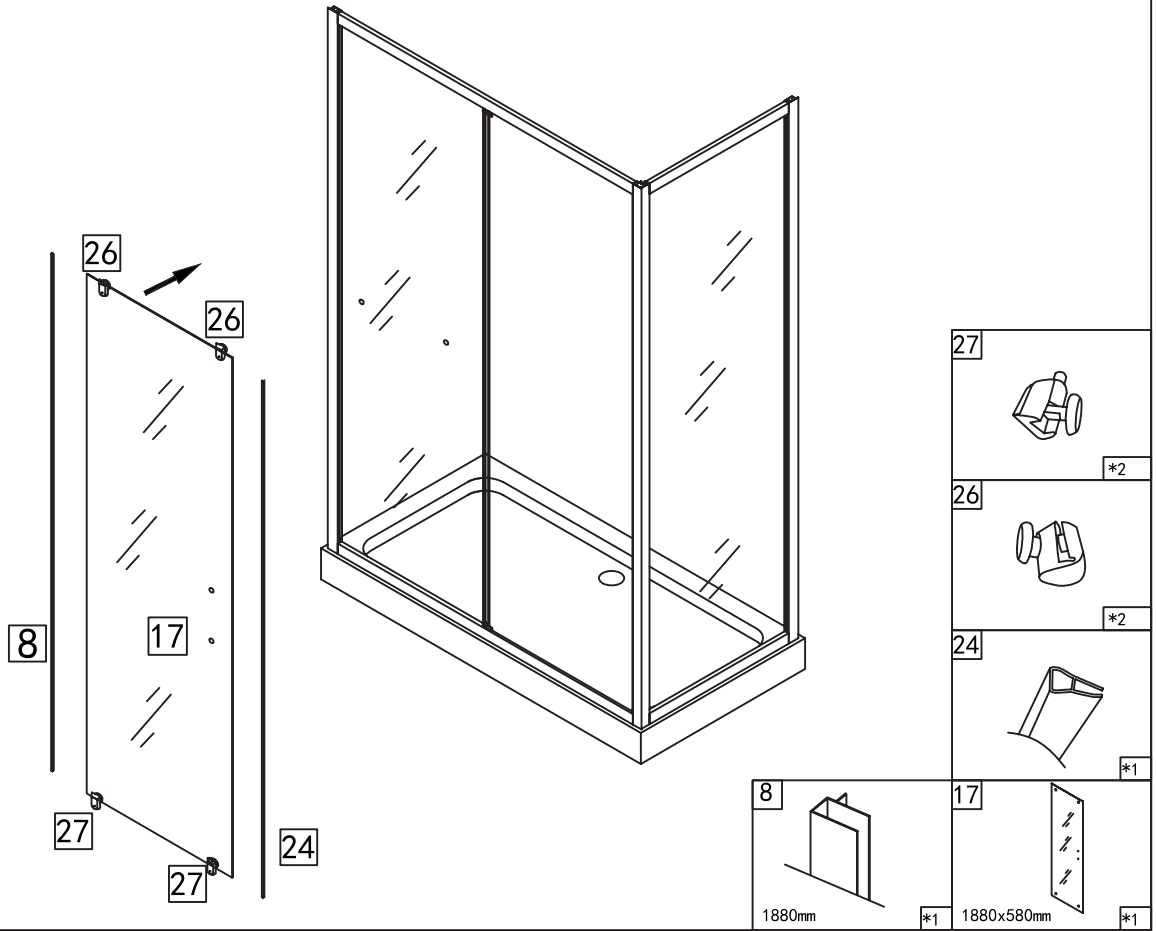
# 10



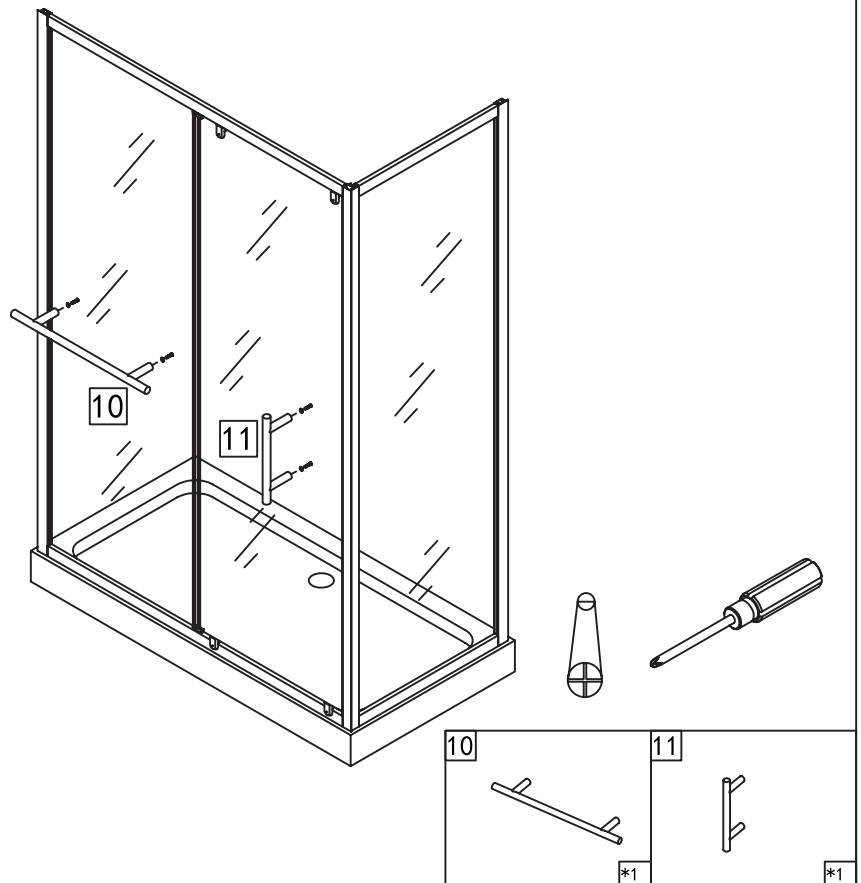
# 11



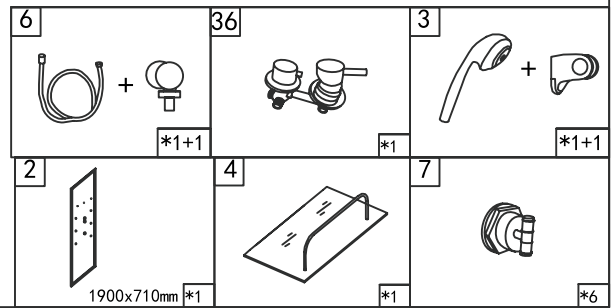
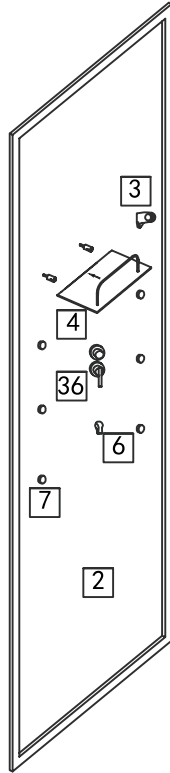
# 12



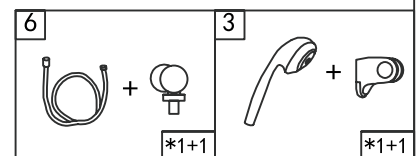
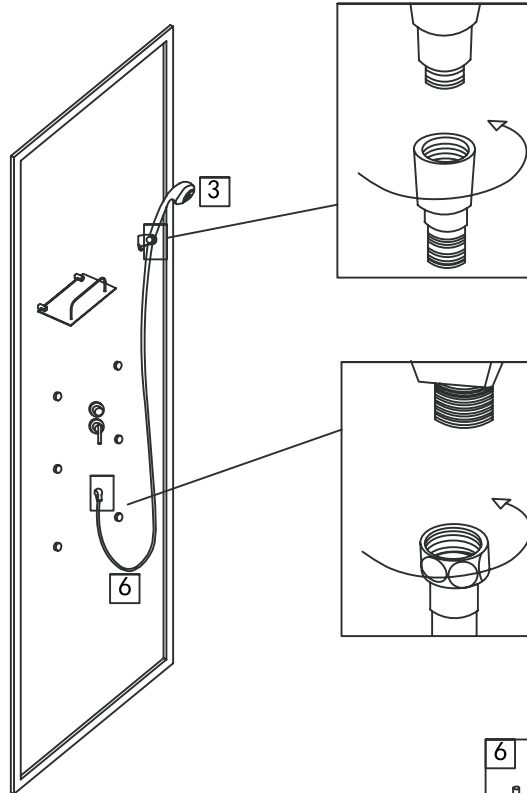
# 13



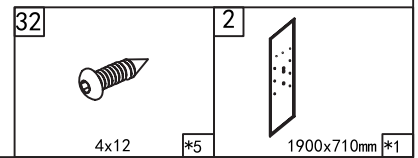
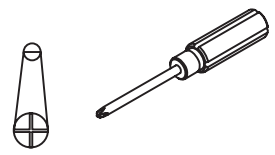
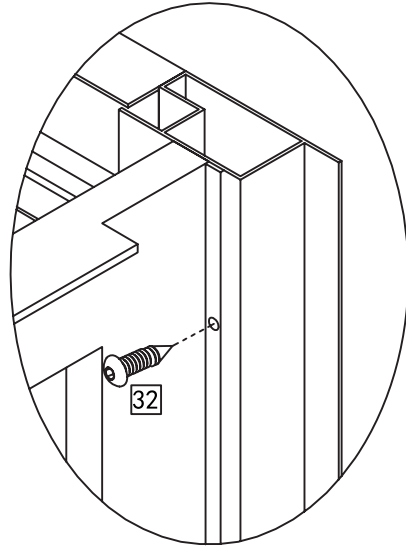
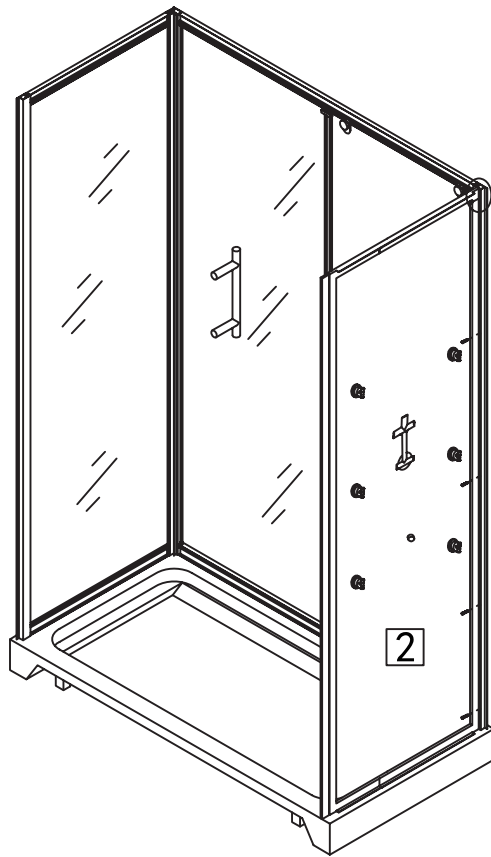
14



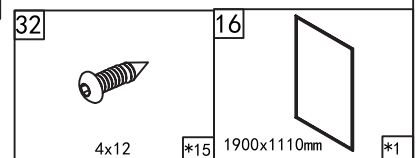
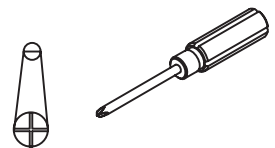
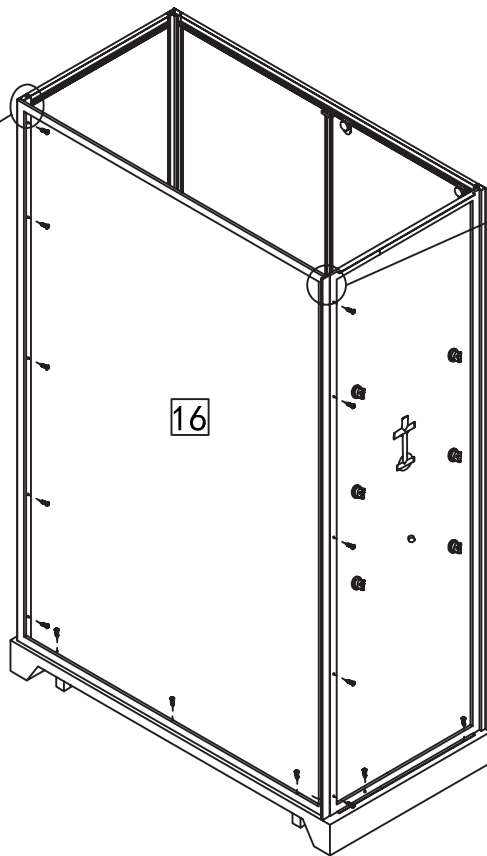
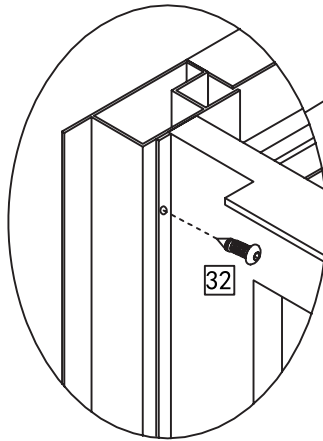
15



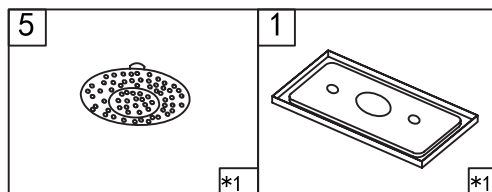
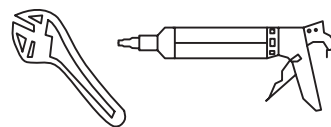
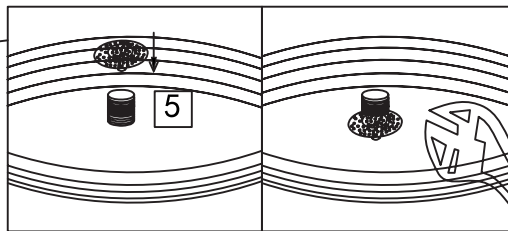
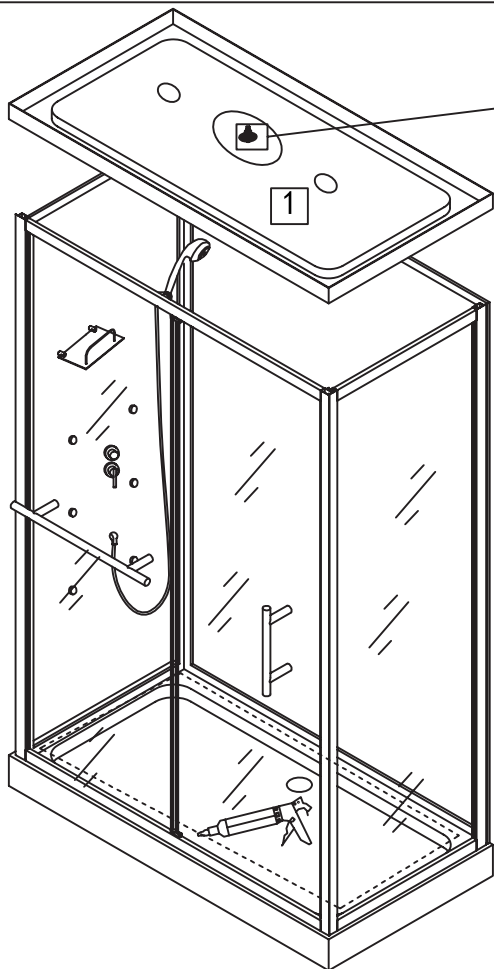
16



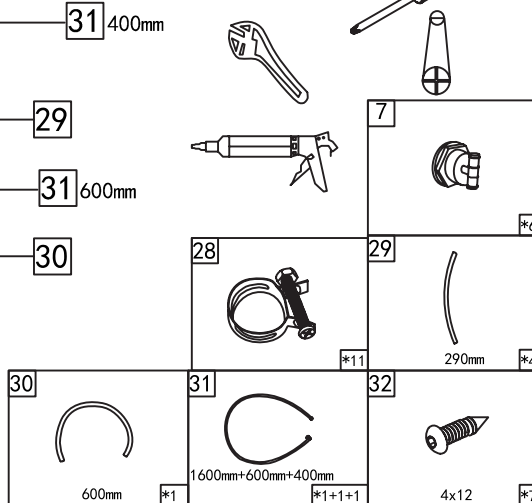
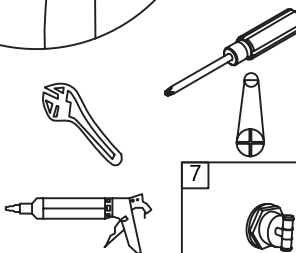
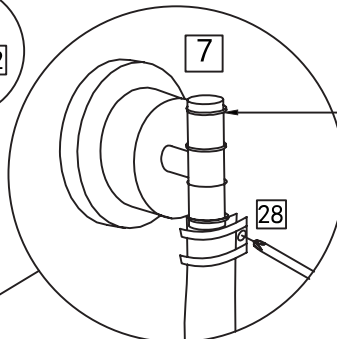
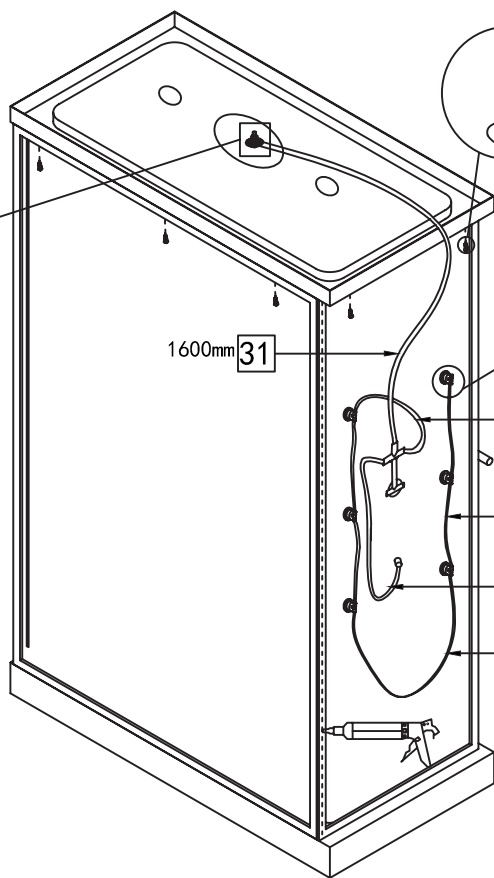
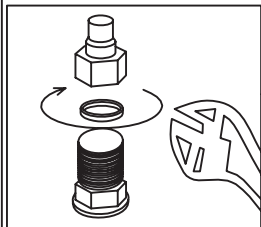
17

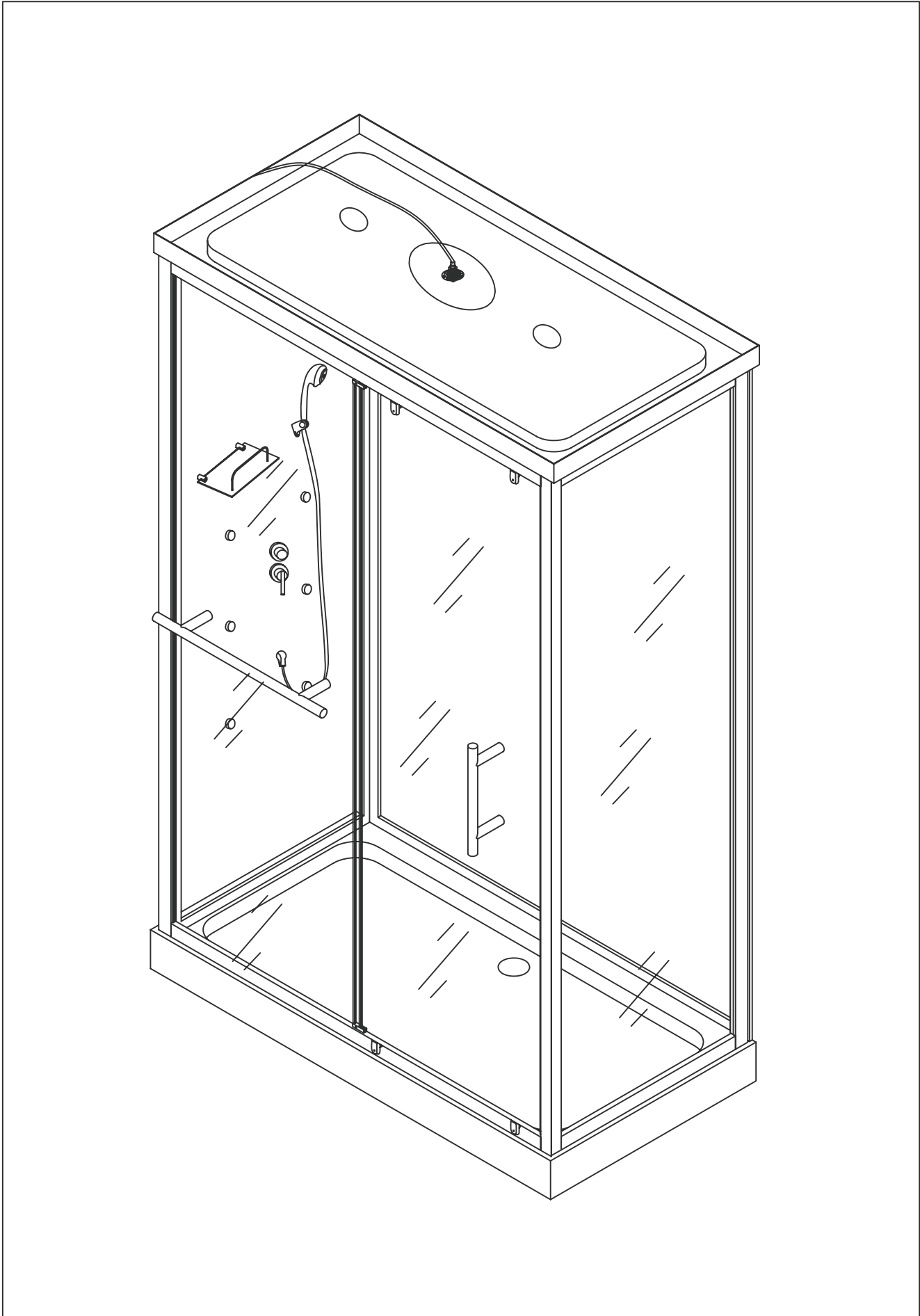


18



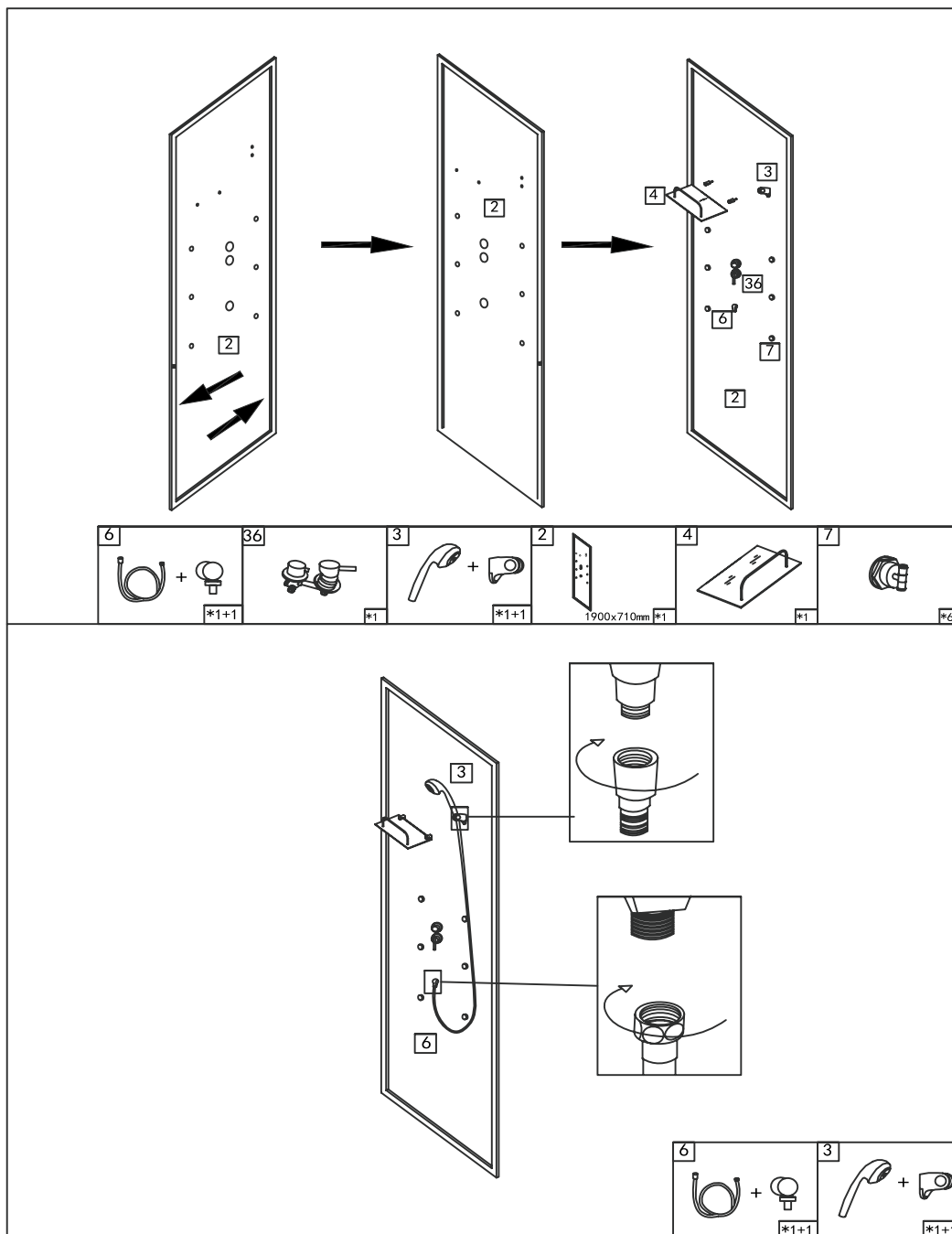
19



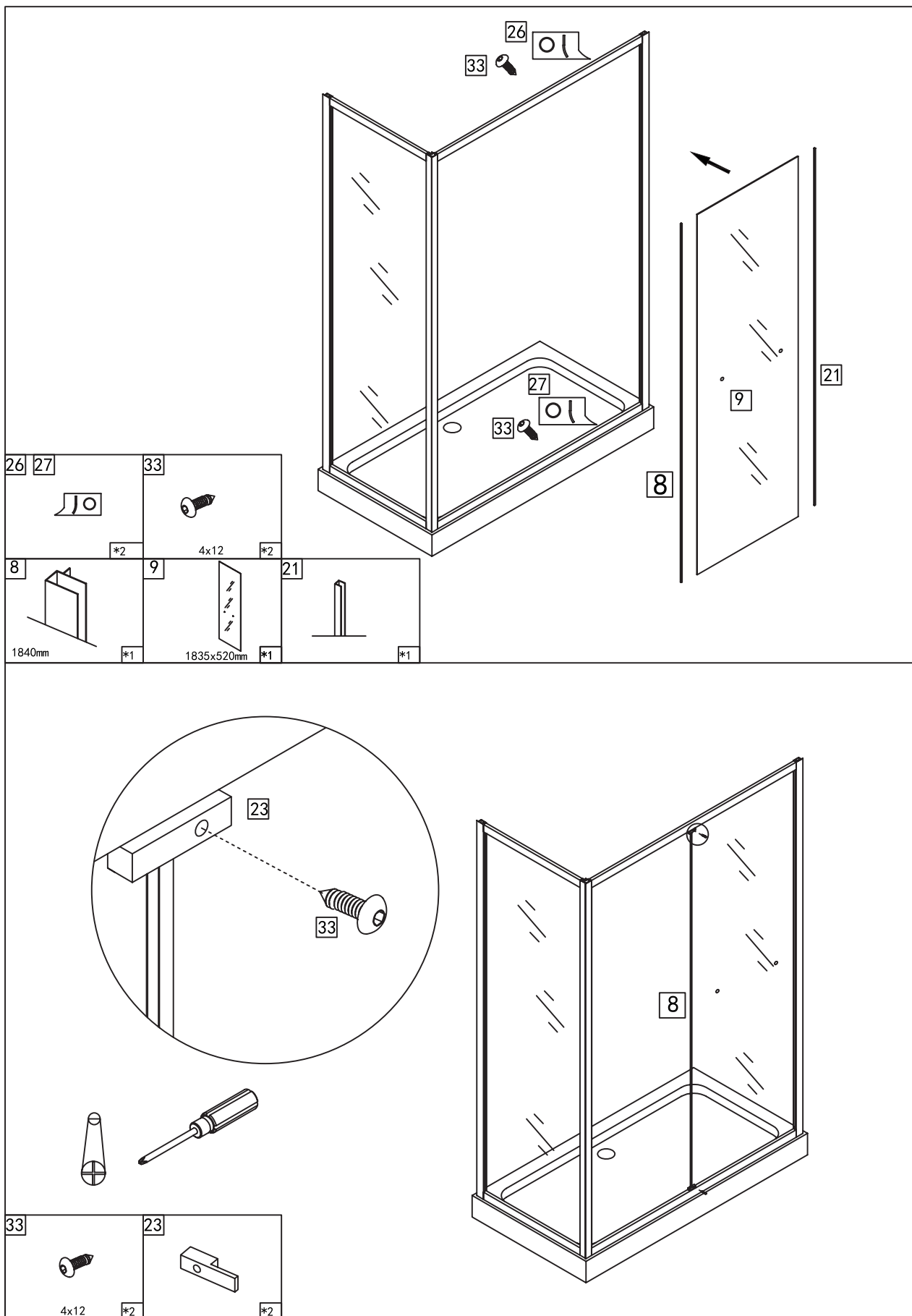


If you need install the cabin as same as **R**, please check the following steps

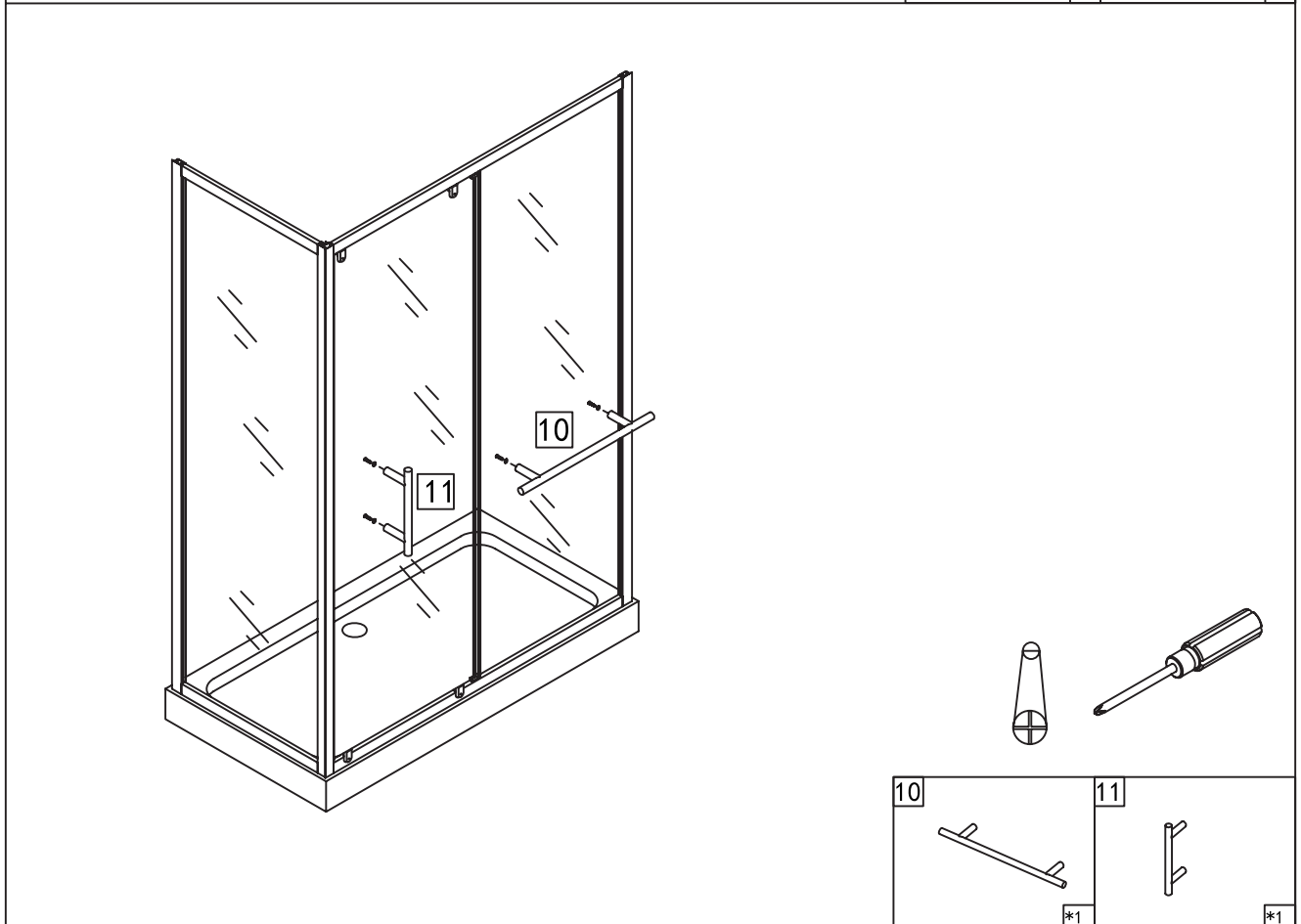
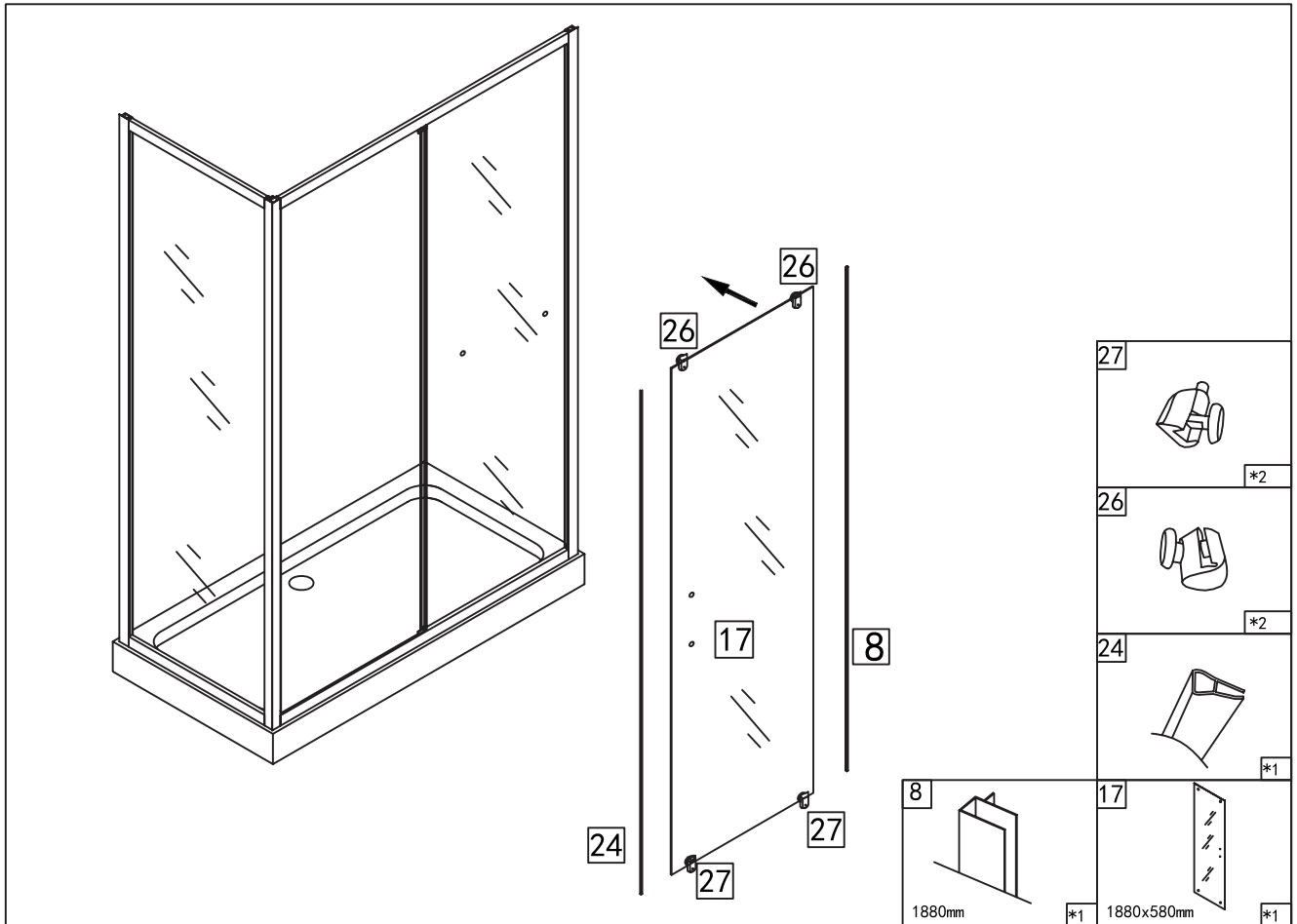
The preparatory work (**VERY IMPORTANT!!!**),  
Finding the small black rear glass, the size is 1900x710mm,  
(No. **2** ), Disassemble the aluminium alloy on the both sides  
(Left and Right), then exchange them, the left aluminium alloy  
assembled on the Right side, and the right aluminium alloy  
assembled on the left side, At last, install the accessories.  
Check the following diagrams.

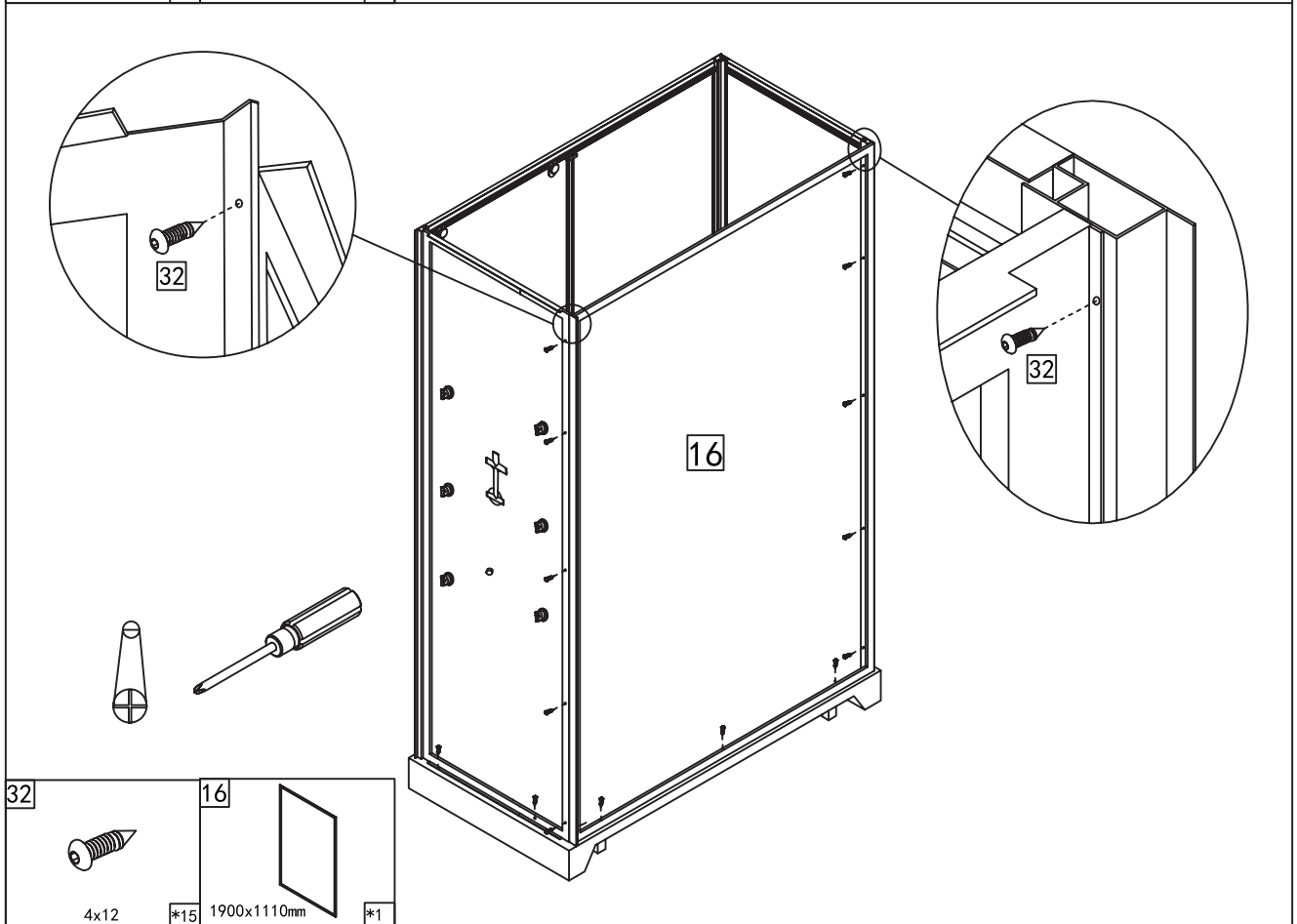
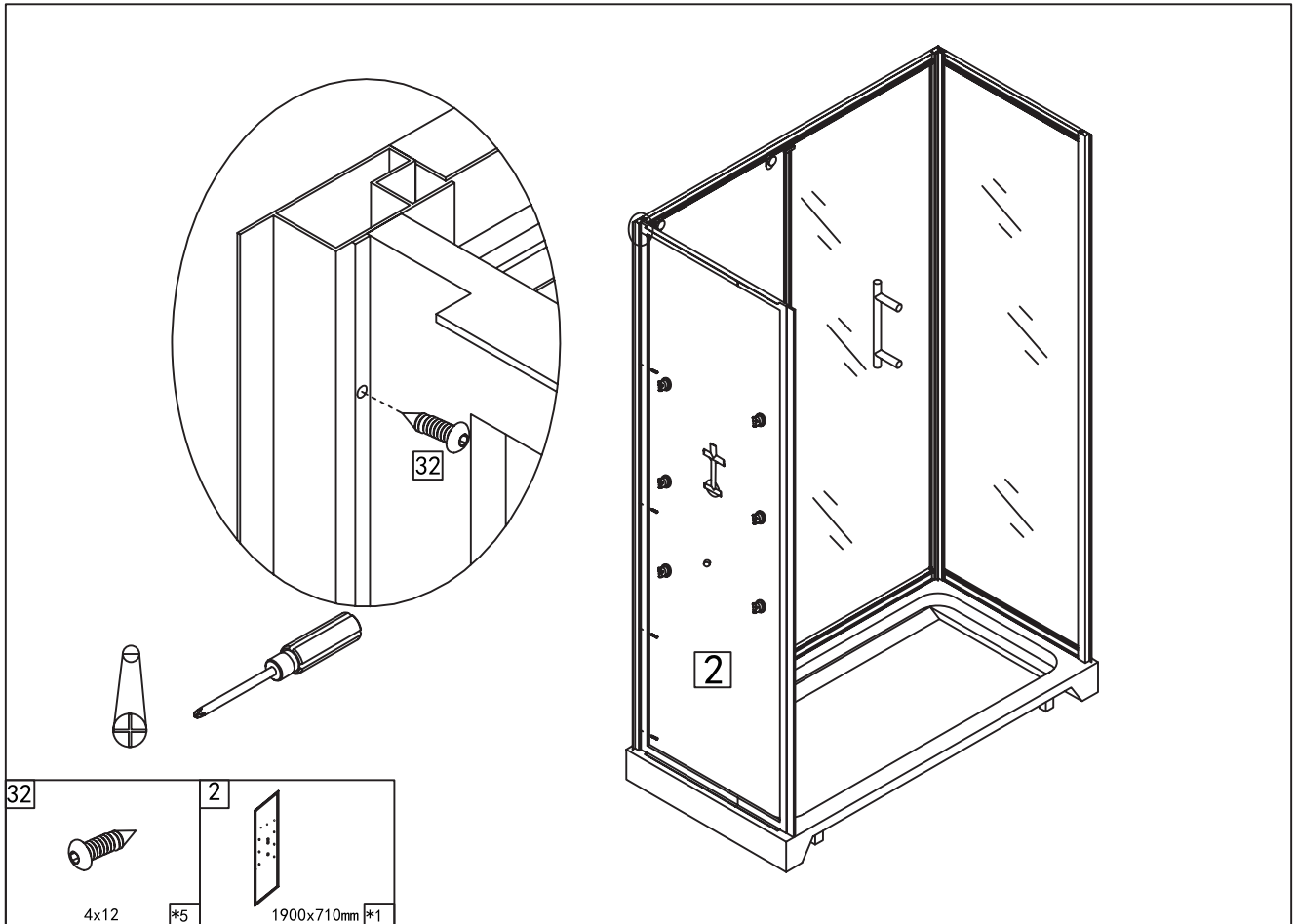


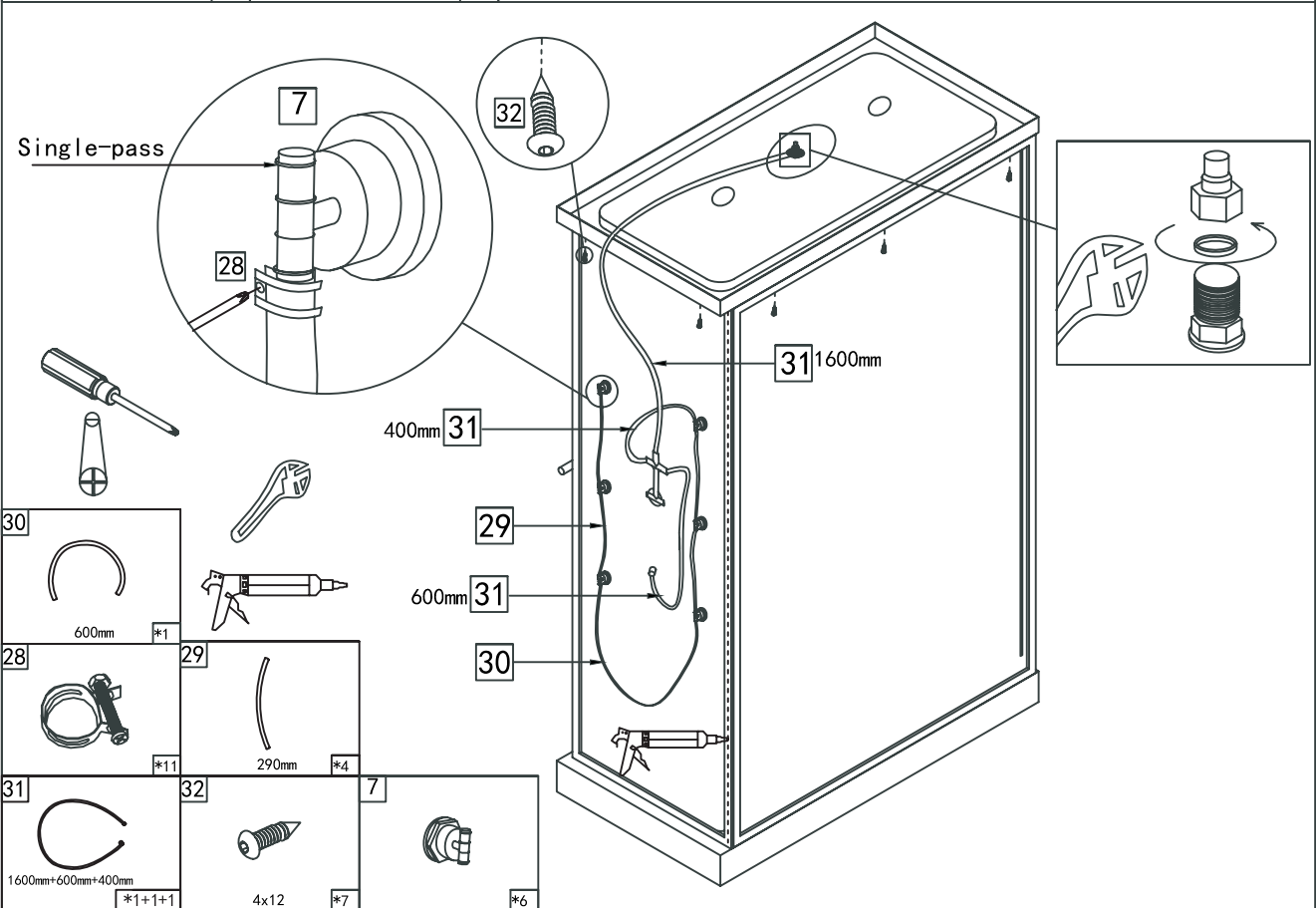
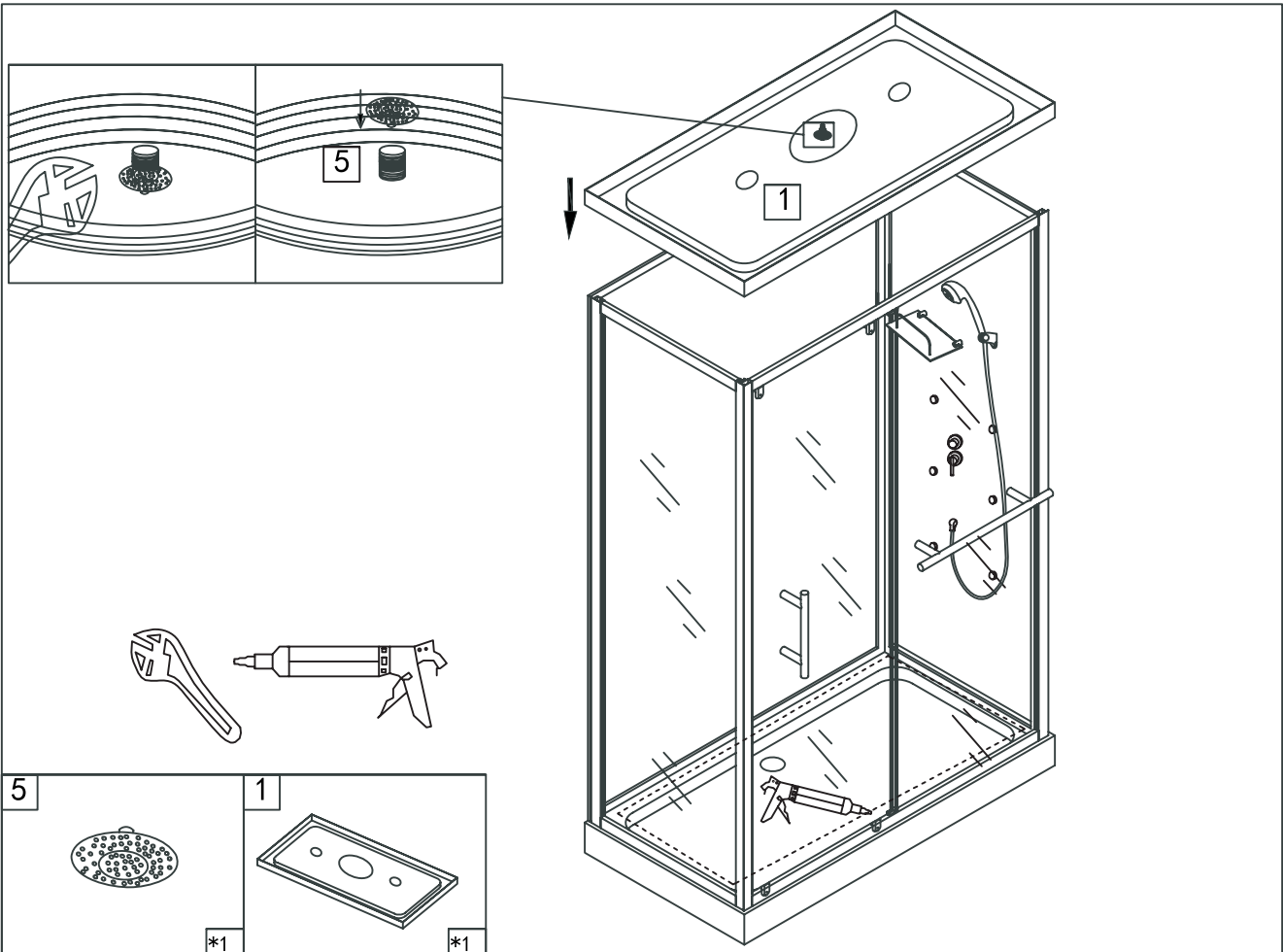
The next installation steps are the following diagrams.

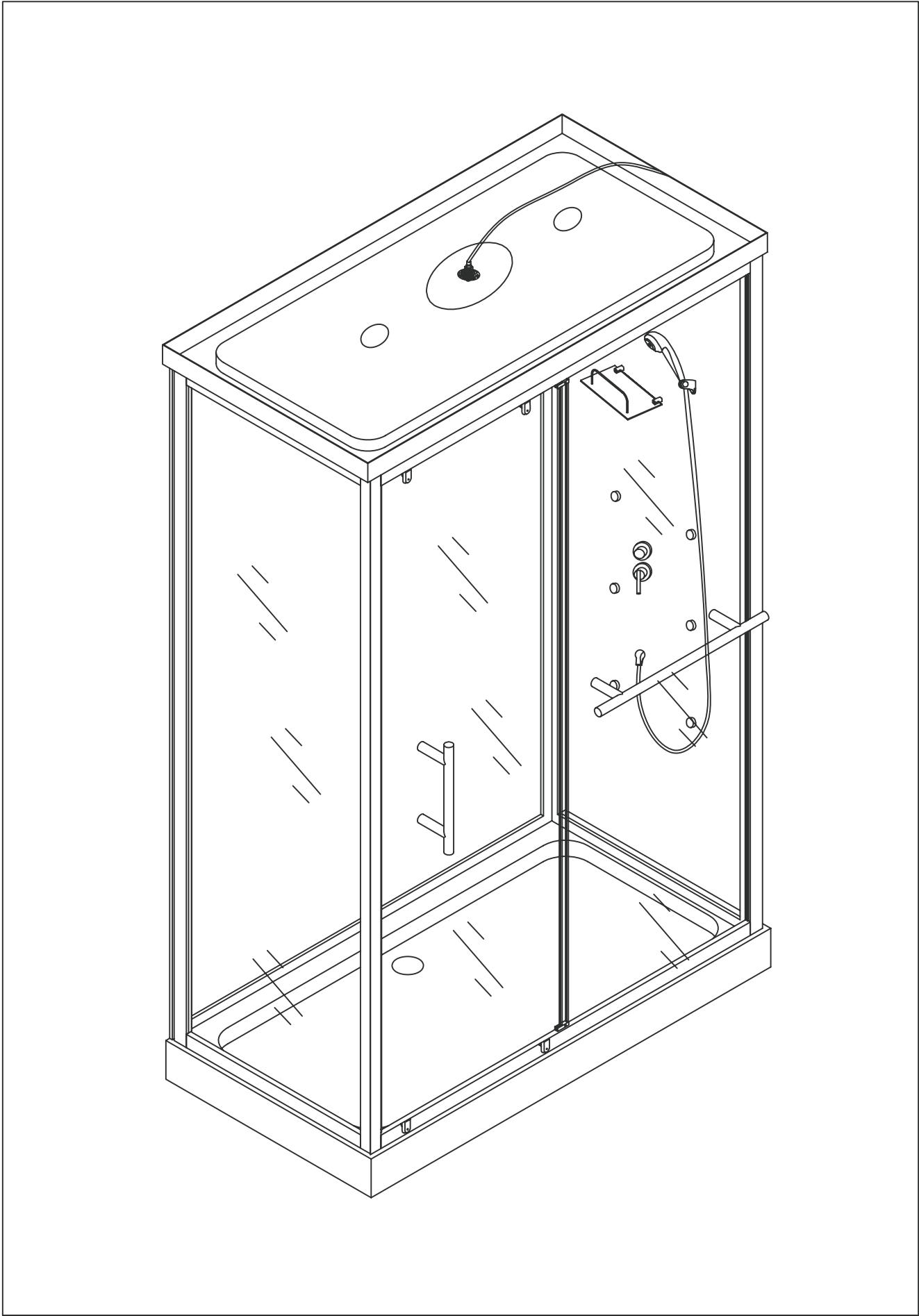












# NOTE:

1. Separate electrical appliances producing steam or humidity are not to be used inside the cabin
2. A care is needed when children, senior citizens and drunks are using it. Children are not allowed to use the shower room by themselves except having being tutored to use it correctly and thoroughly know the result of inaccurate using.
3. Do not insolate. Do not freeze

## Maintenance and Care:

1. you can use common liquid detergent and soft cloth to clean integrated the shower includes the glass parts and shower tray, instead of detergent containing acetone and ammonia. If there is glue on the surface of booth, you can use soft cloth with a little of gasoline to remove it.
2. If there is scratch on the surface of the tray, can use 1500# 2000# waterproof abrasive paper to grind it. Then coat toothpaste and polish it with soft cloth.
3. For gold-plating and aluminum-plating parts, no need to wipe them frequently.
4. Do not use rough utensil or detergent containing chemical solvent and pellet to clean the surface of the tray
5. Do not use utensil and knife to knock the tray.
6. If do not use for a long time, must keep dry and ventilated and away from corrosive gas