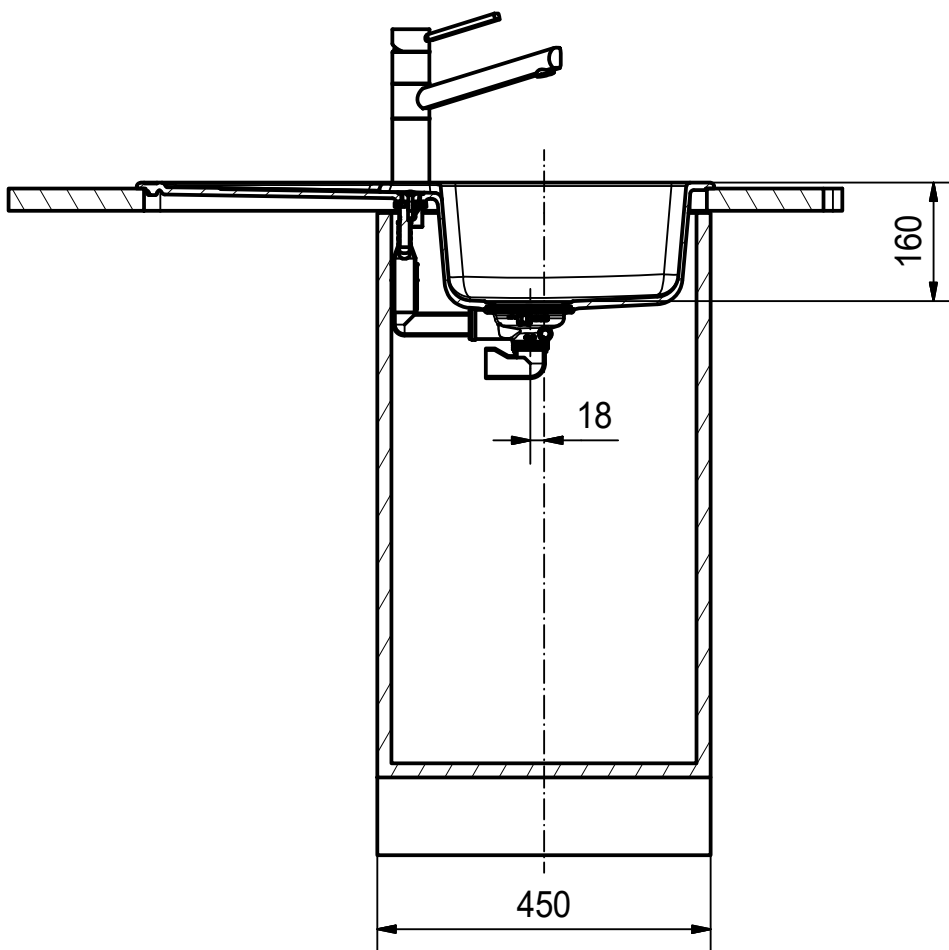


DF



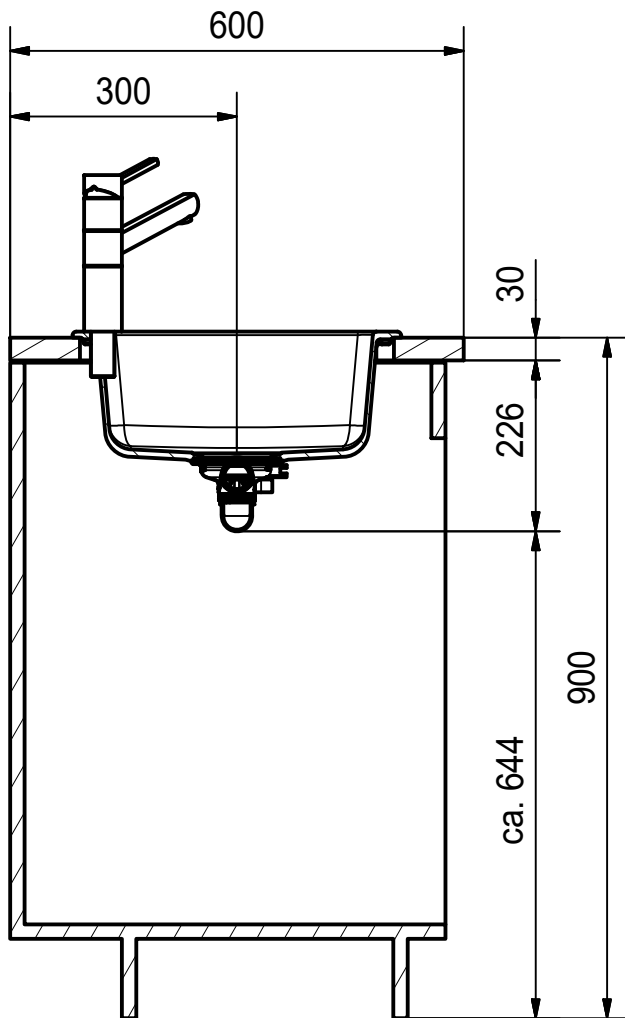
Drawing No.	20127631_01	Revision	
Drawn Date	30.04.2018		
<small>These drawings and specifications are the property of Franke Technology and Trademark Ltd. and shall not be reproduced, copied or transferred to any third party without the prior written permission of Franke Technology and Trademark Ltd., Hergiswil, Switzerland</small>			

Franke Küchentechnik AG
CH-4663 Aarburg
Phone: +41 62 787 31 31
Internet : www.franke.com

STG 614-78

Sheet	Sheets
1	6

DS



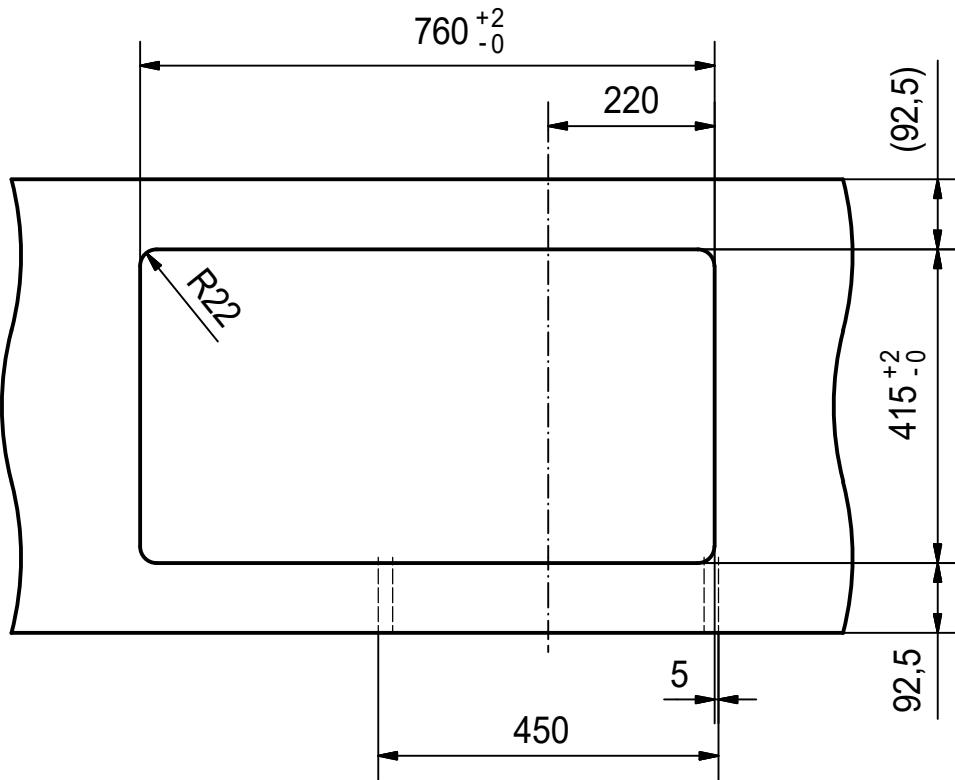
Drawing No.	20127631_01	Revision	
Drawn Date	30.04.2018		
<small>These drawings and specifications are the property of Franke Technology and Trademark Ltd. and shall not be reproduced, copied or transferred to any third party without the prior written permission of Franke Technology and Trademark Ltd., Hergiswil, Switzerland</small>			

Franke Küchentechnik AG
CH-4663 Aarburg
Phone: +41 62 787 31 31
Internet : www.franke.com

STG 614-78

Sheet	Sheets
2	6

CO



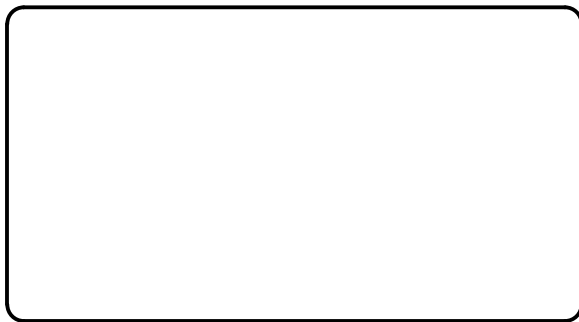
Drawing No.	20127631_01	Revision	
Drawn Date	30.04.2018		
<small>These drawings and specifications are the property of Franke Technology and Trademark Ltd. and shall not be reproduced, copied or transferred to any third party without the prior written permission of Franke Technology and Trademark Ltd., Hergiswil, Switzerland</small>			

Franke K chentechnik AG
CH-4663 Aarburg
Phone: +41 62 787 31 31
Internet : www.franke.com

STG 614-78

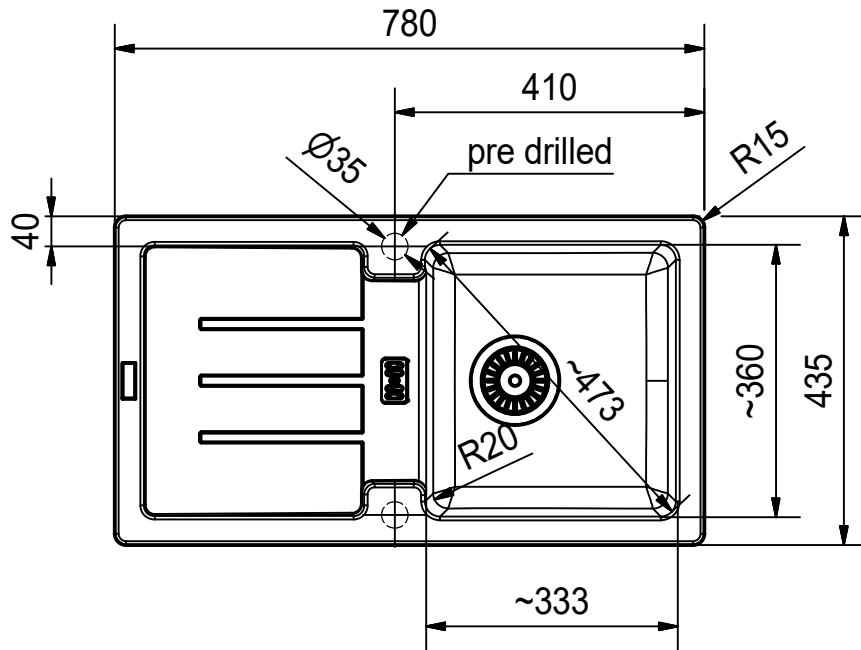
Sheet	Sheets
3	6

CNC



Drawing No.	20127631_01	Revision		Franke Küchentechnik AG CH-4663 Aarburg Phone: +41 62 787 31 31 Internet : www.franke.com	STG 614-78	Sheet	Sheets
Drawn Date	30.04.2018					4	6
<small>These drawings and specifications are the property of Franke Technology and Trademark Ltd. and shall not be reproduced, copied or transferred to any third party without the prior written permission of Franke Technology and Trademark Ltd., Hergiswil, Switzerland</small>							

DT



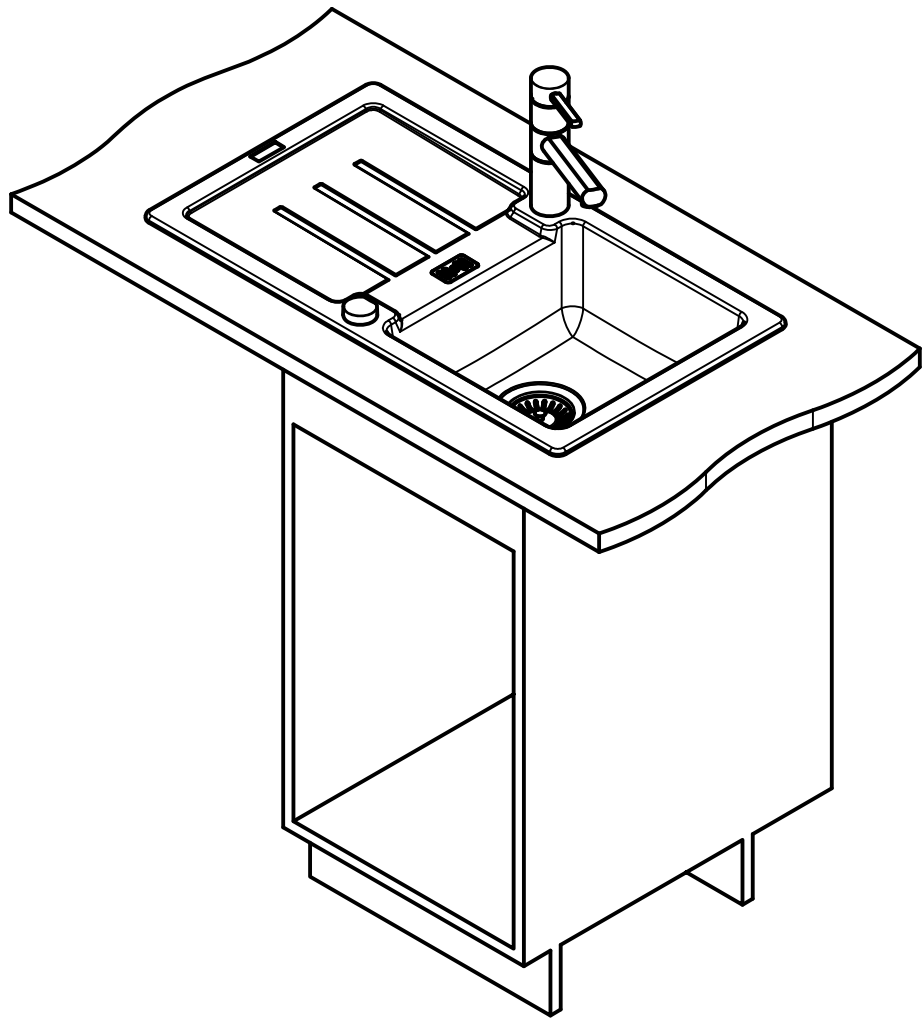
Drawing No.	20127631_01	Revision	
Drawn Date	30.04.2018		
<small>These drawings and specifications are the property of Franke Technology and Trademark Ltd. and shall not be reproduced, copied or transferred to any third party without the prior written permission of Franke Technology and Trademark Ltd., Hergiswil, Switzerland</small>			

Franke K chentechnik AG
CH-4663 Aarburg
Phone: +41 62 787 31 31
Internet : www.franke.com

STG 614-78

Sheet	Sheets
5	6

ISO



Drawing No.	20127631_01	Revision	
Drawn Date	30.04.2018		
<small>These drawings and specifications are the property of Franke Technology and Trademark Ltd. and shall not be reproduced, copied or transferred to any third party without the prior written permission of Franke Technology and Trademark Ltd., Hergiswil, Switzerland</small>			

Franke Küchentechnik AG
CH-4663 Aarburg
Phone: +41 62 787 31 31
Internet : www.franke.com

STG 614-78

Sheet	Sheets
6	6