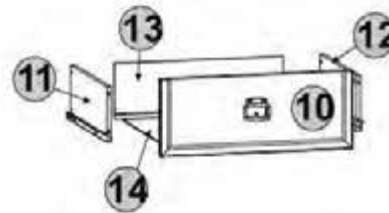
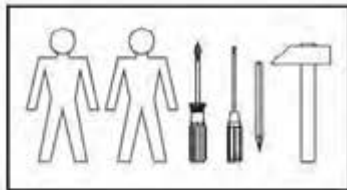
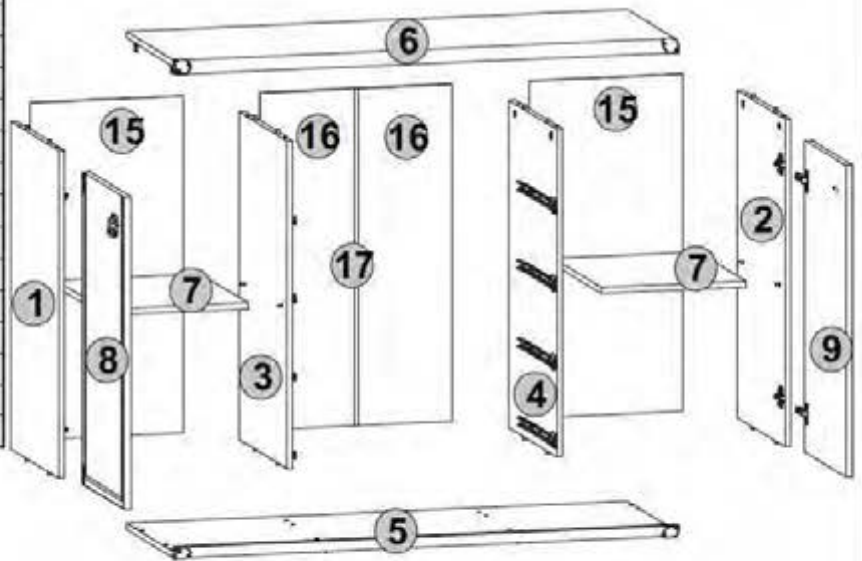


INDIANA

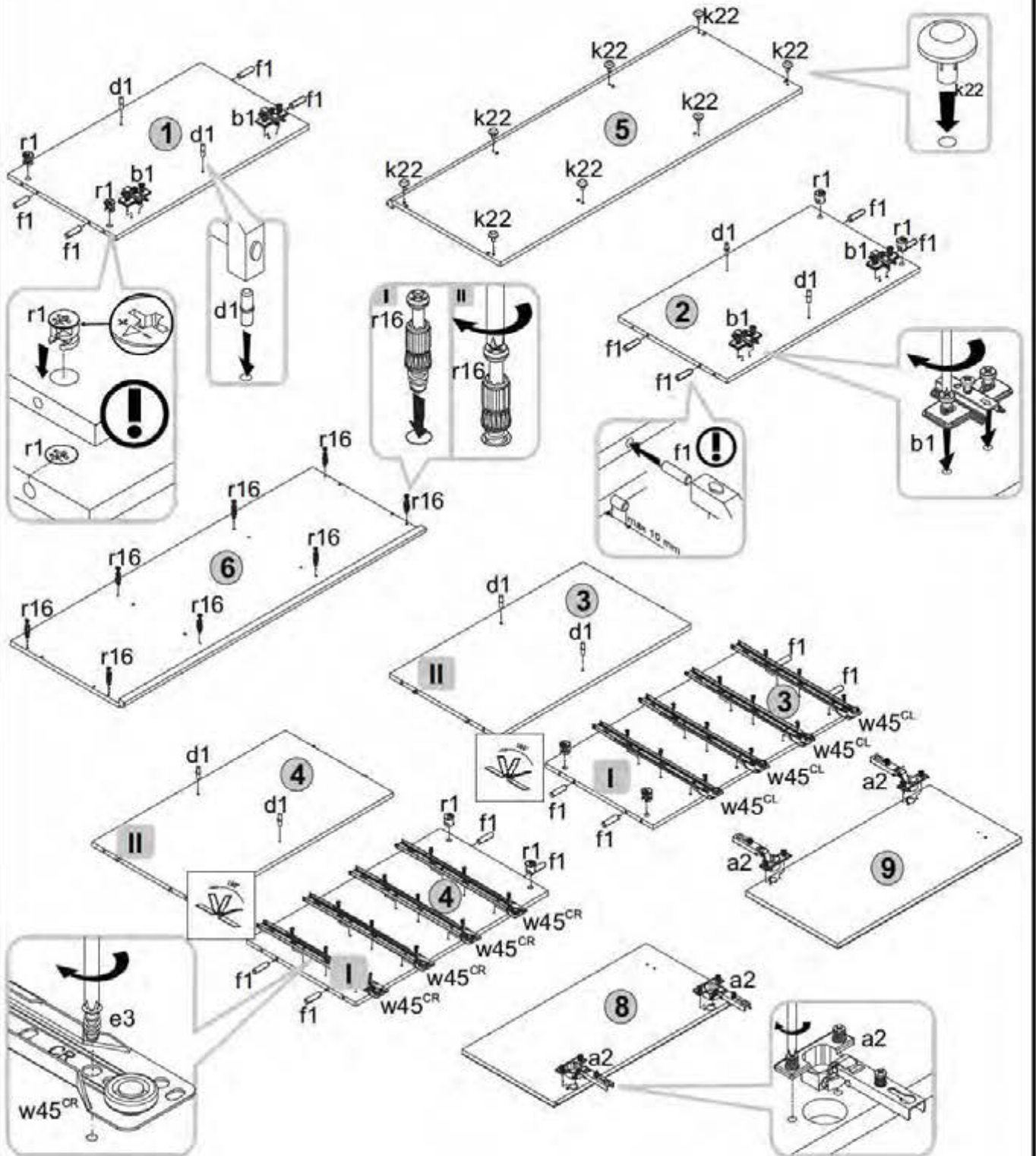
JKOM 2d4s

A	C	B	D
1	832x466	S31-115	1/3
2	832x466	S31-116	1/3
3	832x466	S31-119	1/3
4	832x466	S31-120	1/3
5	1300x491	S31-216	2/3
6	1300x491	S31-217	2/3
7	375x461	S31-312	1/3
8	792x396	S31-016	3/3
9	792x396	S31-017	3/3
10	496x196	S31-0018	3/3
11	350x140	S31-5504	1/3
12	350x140	S31-5505	1/3
13	427x140	S31-5511	1/3
14	437x348	S31-9912	1/3
15	856x397	S31-913	1/3
16	856x249	S31-1914	1/3
17	826x14	Lh-826	1/3

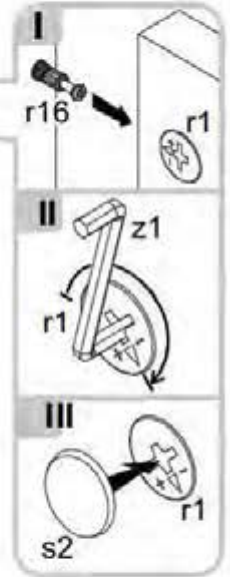
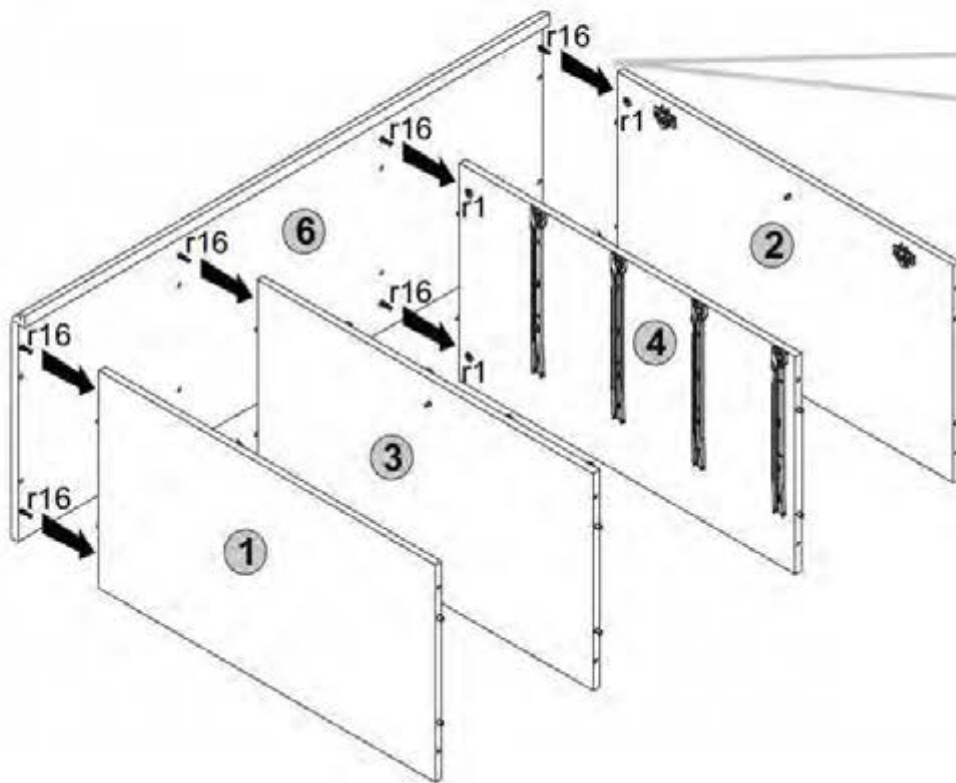


4x a2	4x b1	6x c158	8x d1	8x e1	24x e3	16x e19	16x f1
16x f25	12x j30	8x k22	90x l1	4x l27	2x l28 ^L	2x l28 ^P	16x p83
24x r1	24x r16	6x s2	4x w45 ^{CL}	4x w45 ^{CR}	4x w45 ^{DL}	4x w45 ^{DR}	1x z1

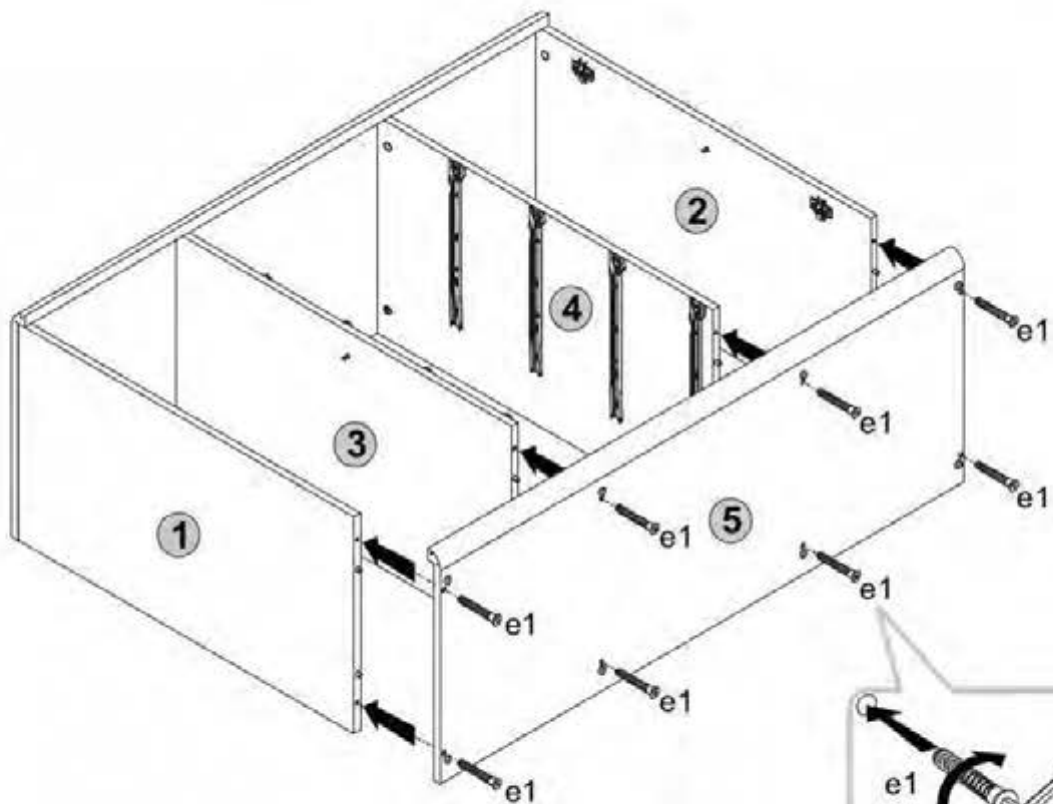
1



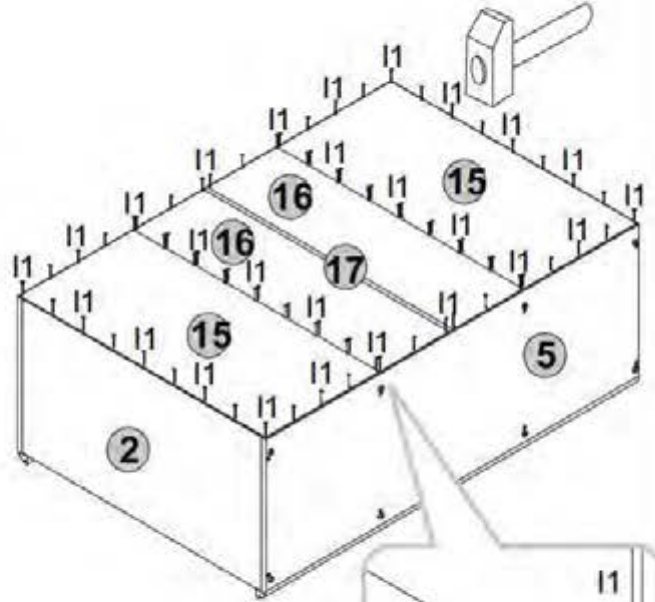
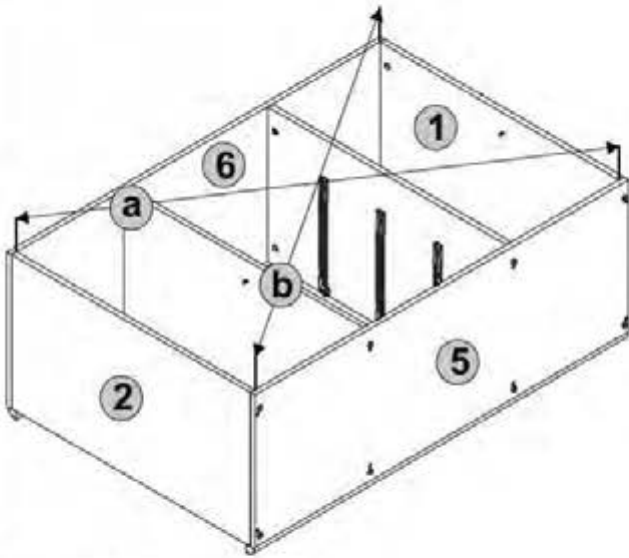
2



3

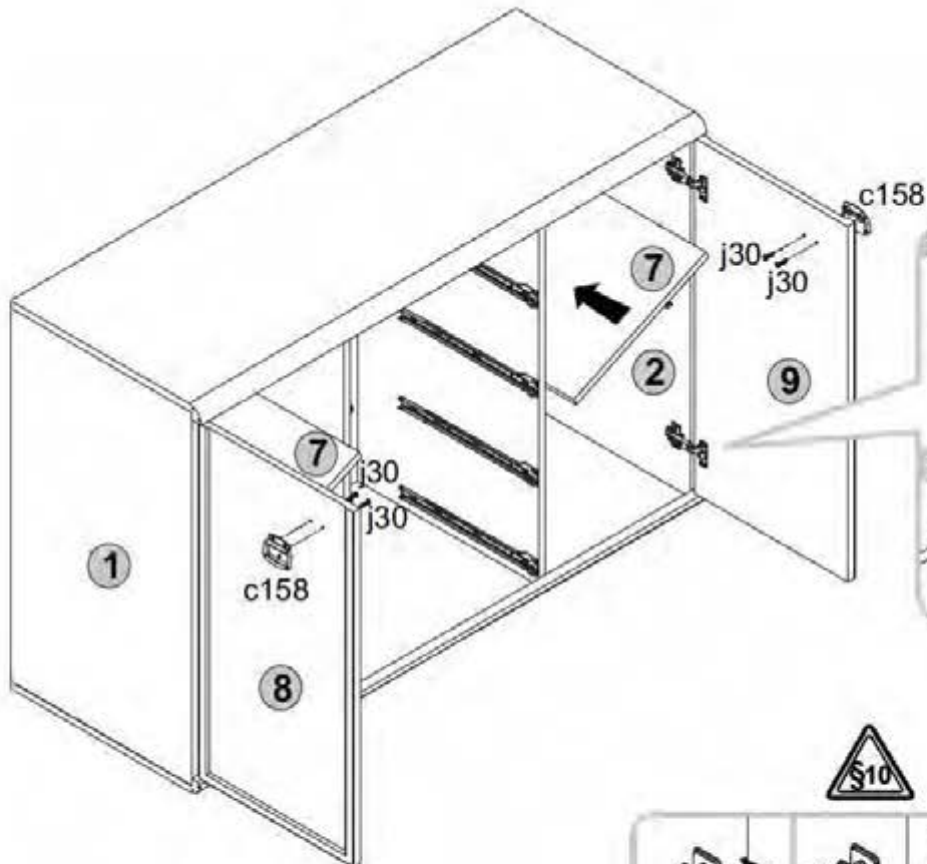


4

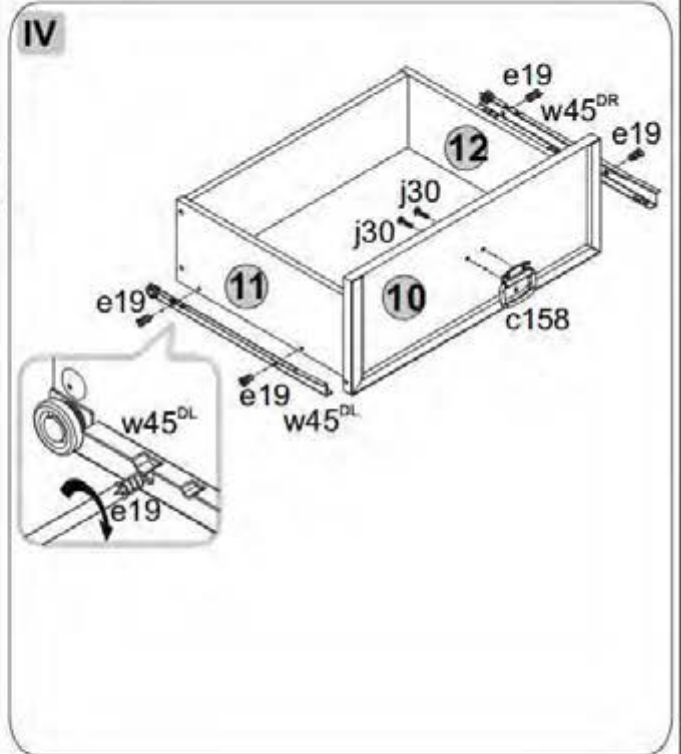
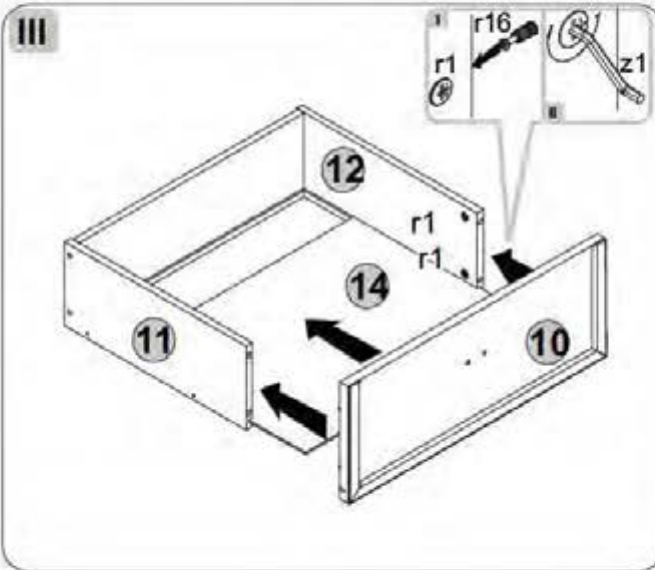
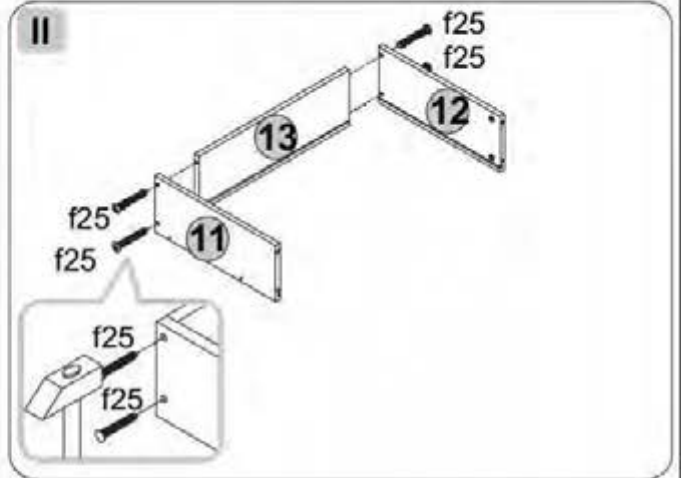
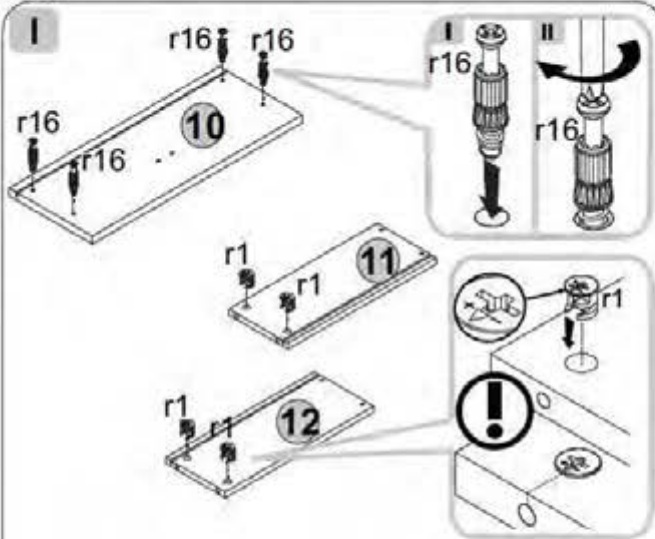


$a=b$

5



6



7

