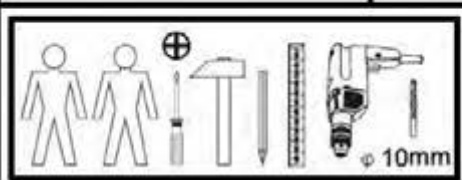
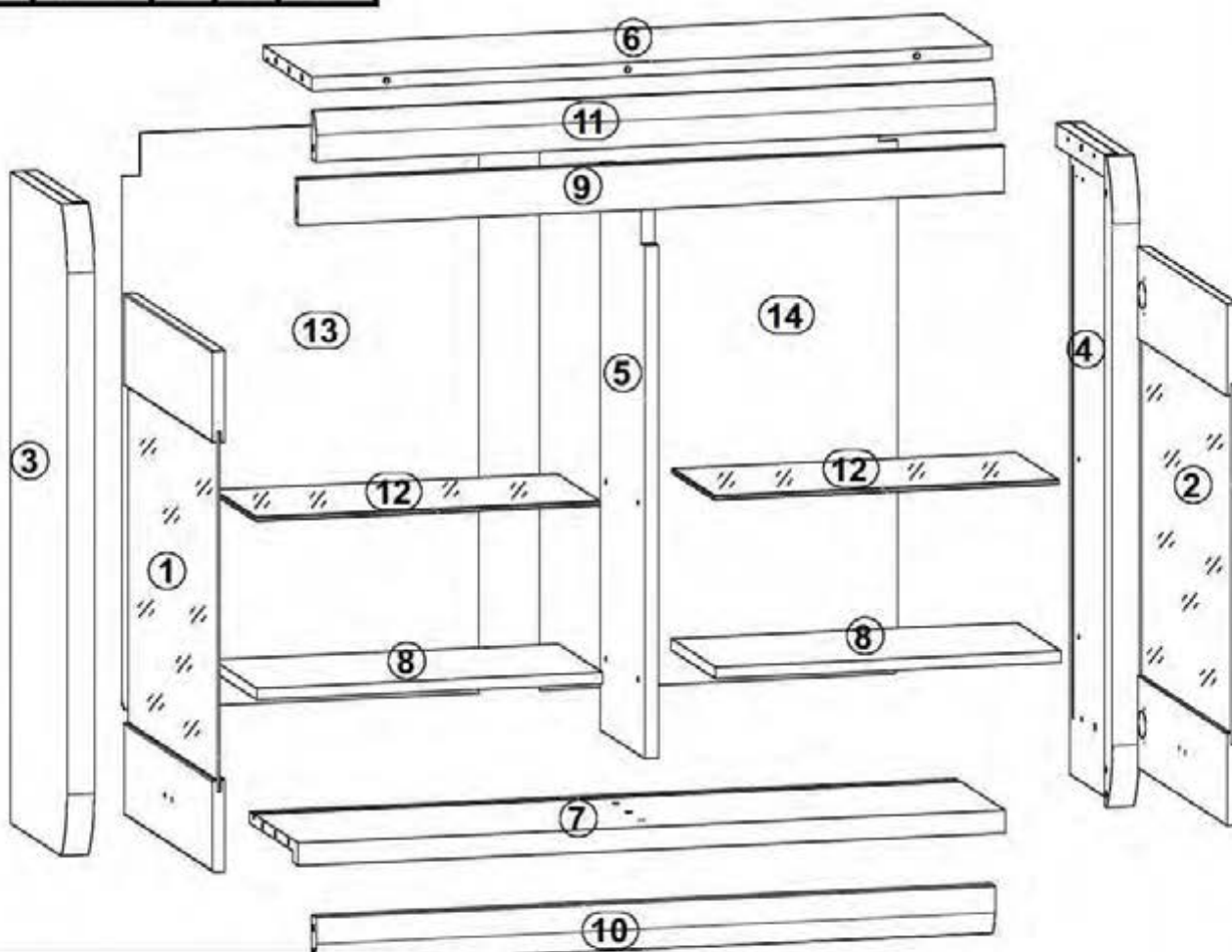


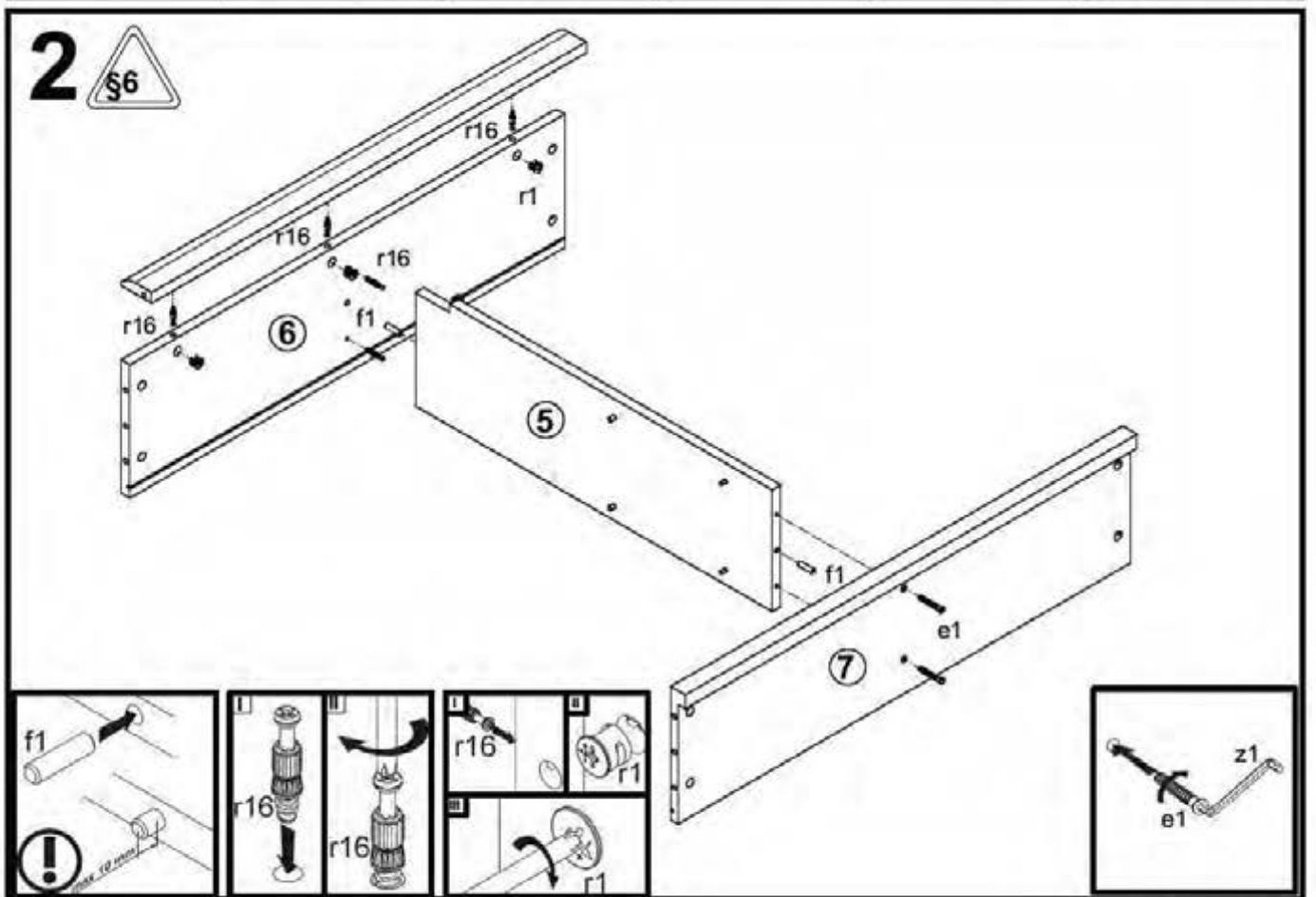
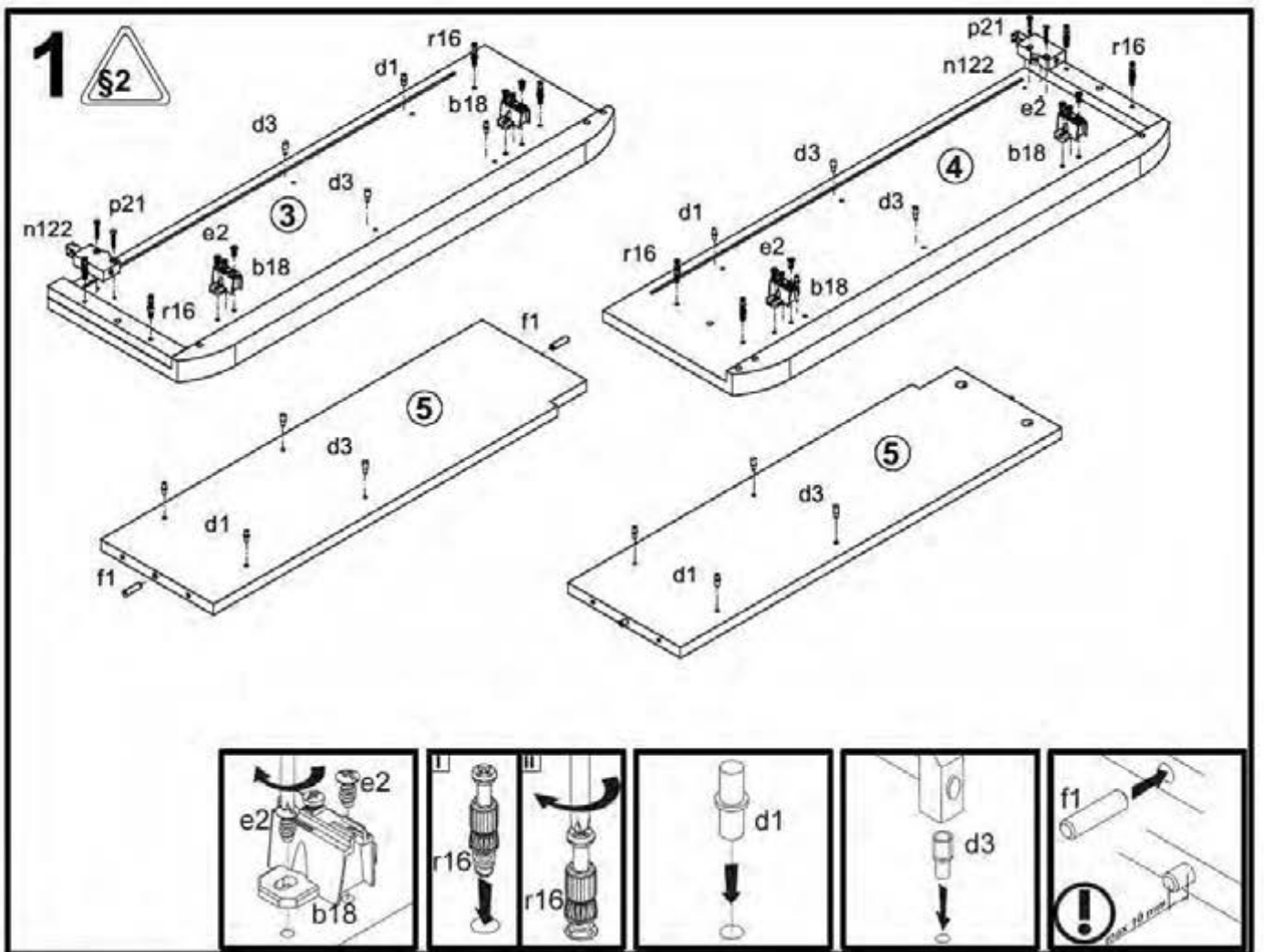
LOREN

S163-SFW2W

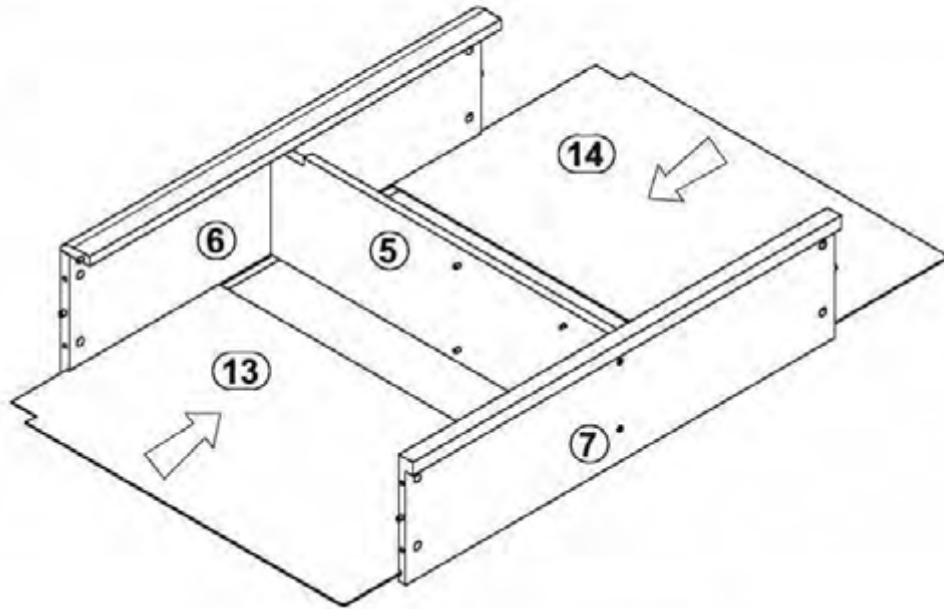
A	B	C	D	
1	S163 017	680	441	3/3
2	S163 018	680	441	3/3
3	S163 1131	850	280	1/3
4	S163 1132	850	280	1/3
5	S163 1133	741	219	1/3
6	S163 331	902	240	1/3
7	S163 3332	938	240	1/3
8	S163 3333	459	218	1/3
9	S163 4405	938	60	1/3
12	S163 515	458	210	2/3
10	S163 513	902	64	1/3
11	S163 514	902	64	1/3
13	S163 9921	751	474	3/3
14	S163 9922	751	474	3/3



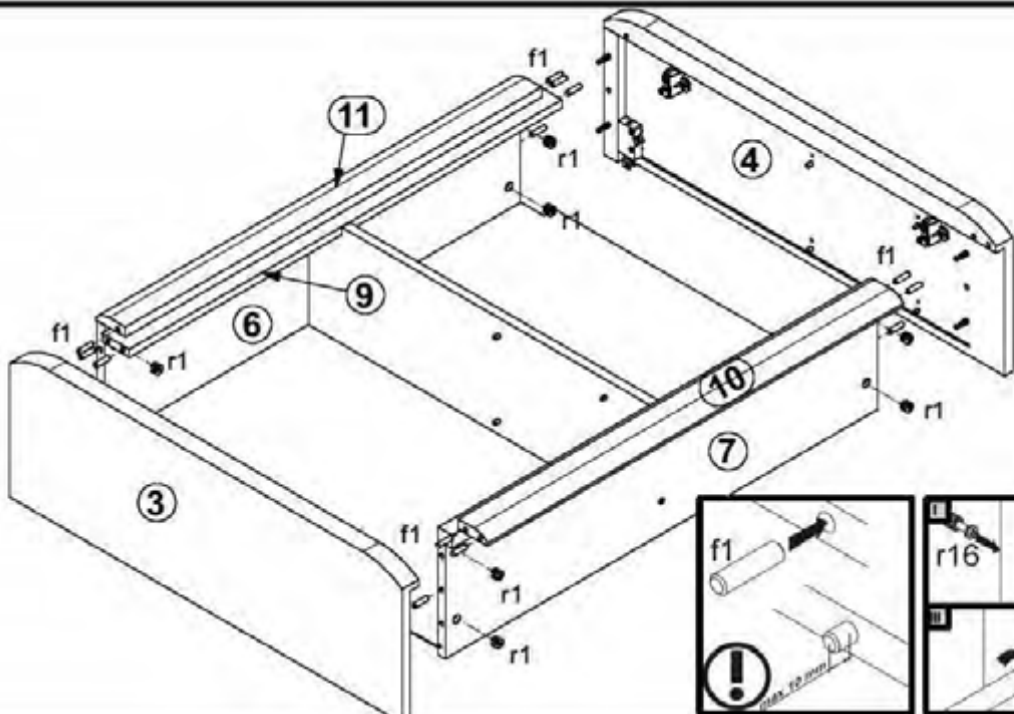
4x a43	4x b18	2x c333	8x d1 ø 5x17 mm	8x d3 ø 5x17 mm	2x e1 ø 5x40 mm	8x e2 ø 5x12 mm	16x f1 ø 5x30 mm	4x f35 ø 5x50 mm
4x j1 M4x20 mm	15x l1	14x l2	10x s2 ø 16	4x p21 ø 4x20 mm	8x p51 ø 5x15 mm	4x p17 ø 5x10 mm	13x r1 ø 15x12 mm #16	13x r16
2x s1	1x z1	2x n122	2x n10					



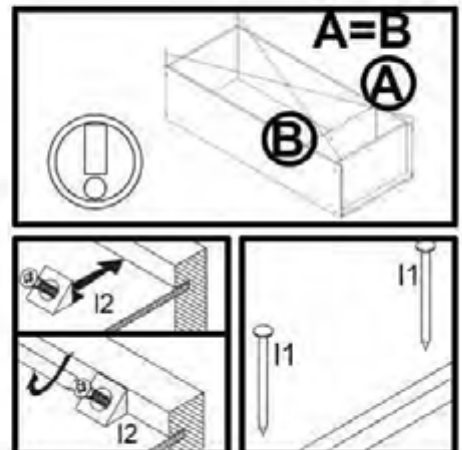
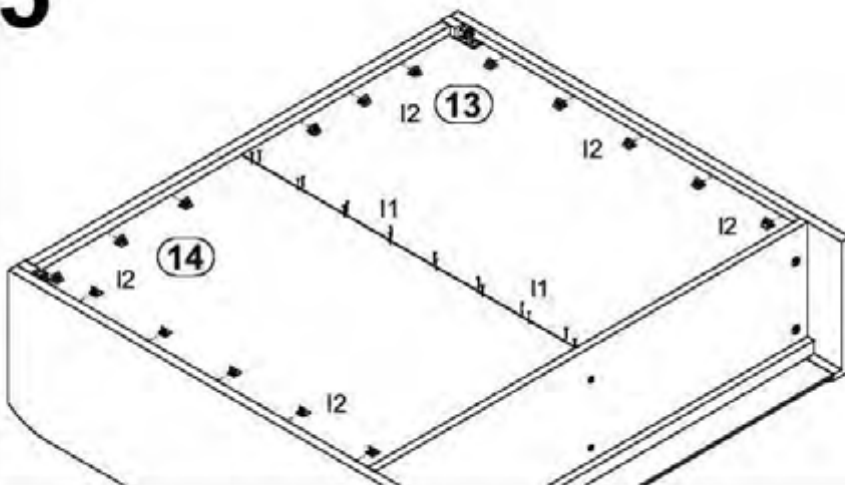
3



4



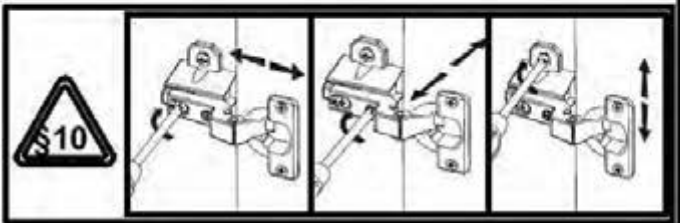
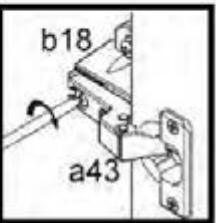
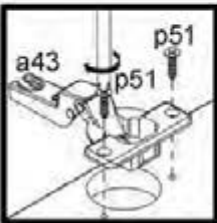
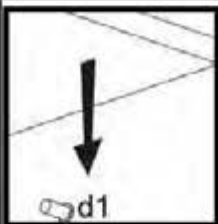
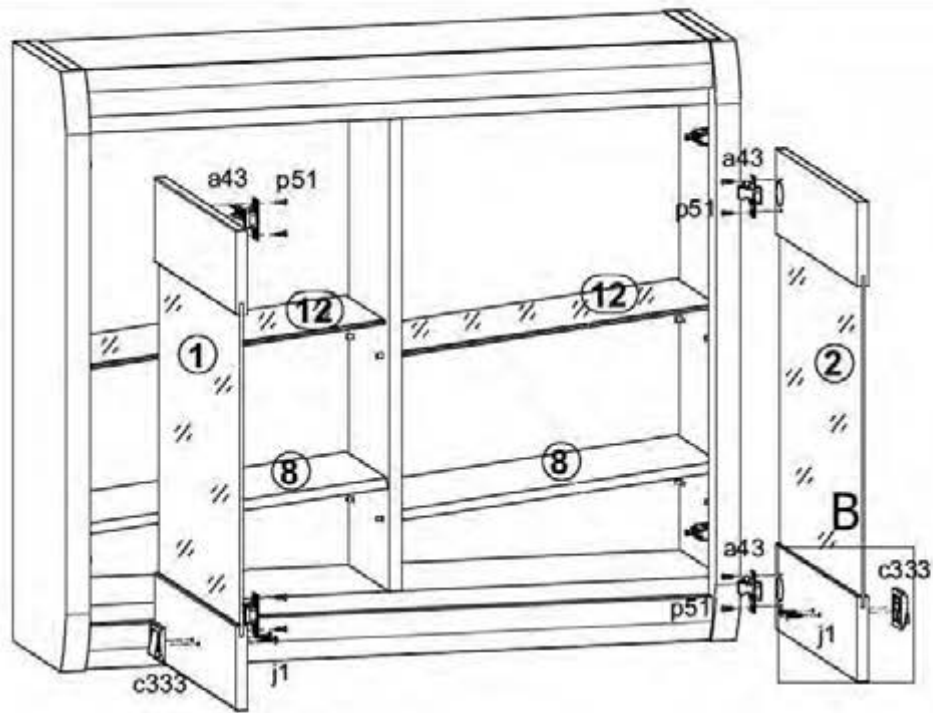
5



3 / 4

P28-S163-SFW2W

6



7

