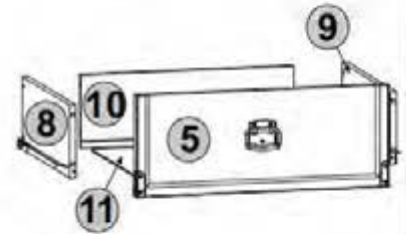
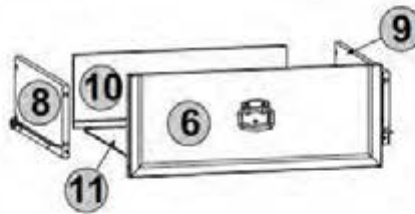
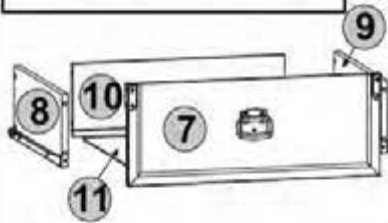
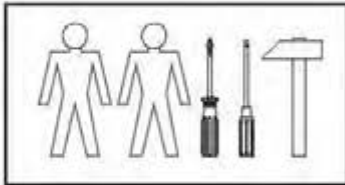
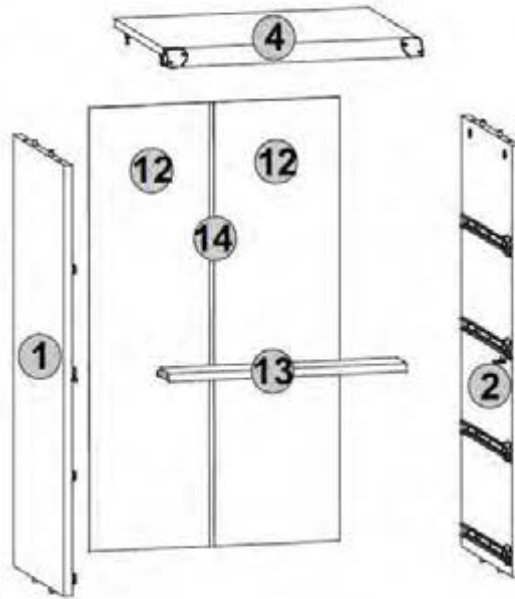


INDIANA

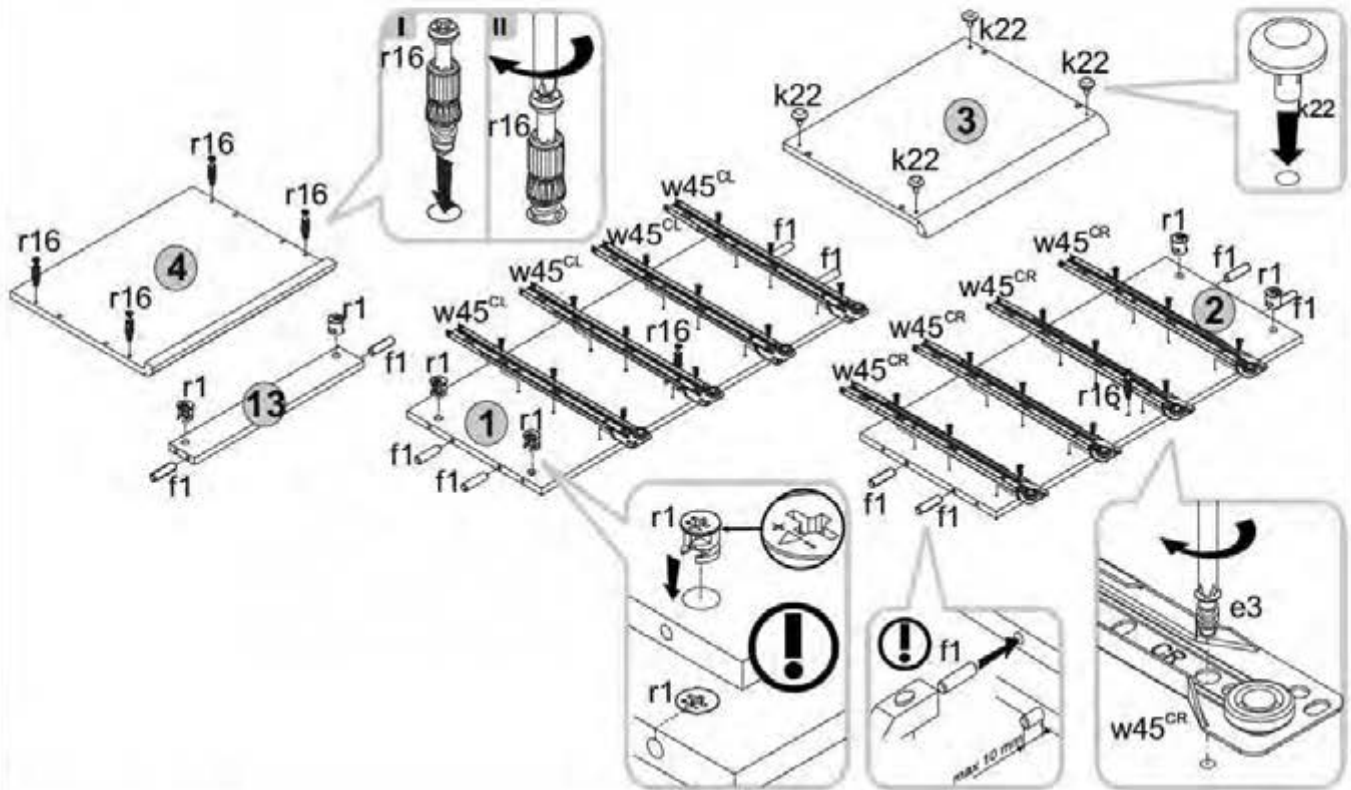
JKOM 4s/50

A	C	B	D
1	832x370	S31-109/A	1/3
2	832x370	S31-110/A	1/3
3	500x395	S31-204	2/3
4	500x395	S31-203	2/3
5	496x196	S31-0011	3/3
6	496x196	S31-0012	3/3
7	496x196	S31-0007	3/3
8	350x140	S31-5504	1/3
9	350x140	S31-5505	1/3
10	410x140	S31-5506	1/3
11	420x348	S31-9903	1/3
12	856x246	S31-1908	1/3
13	467x70	S31-430	1/3
14	826x14	Lh-826	1/3

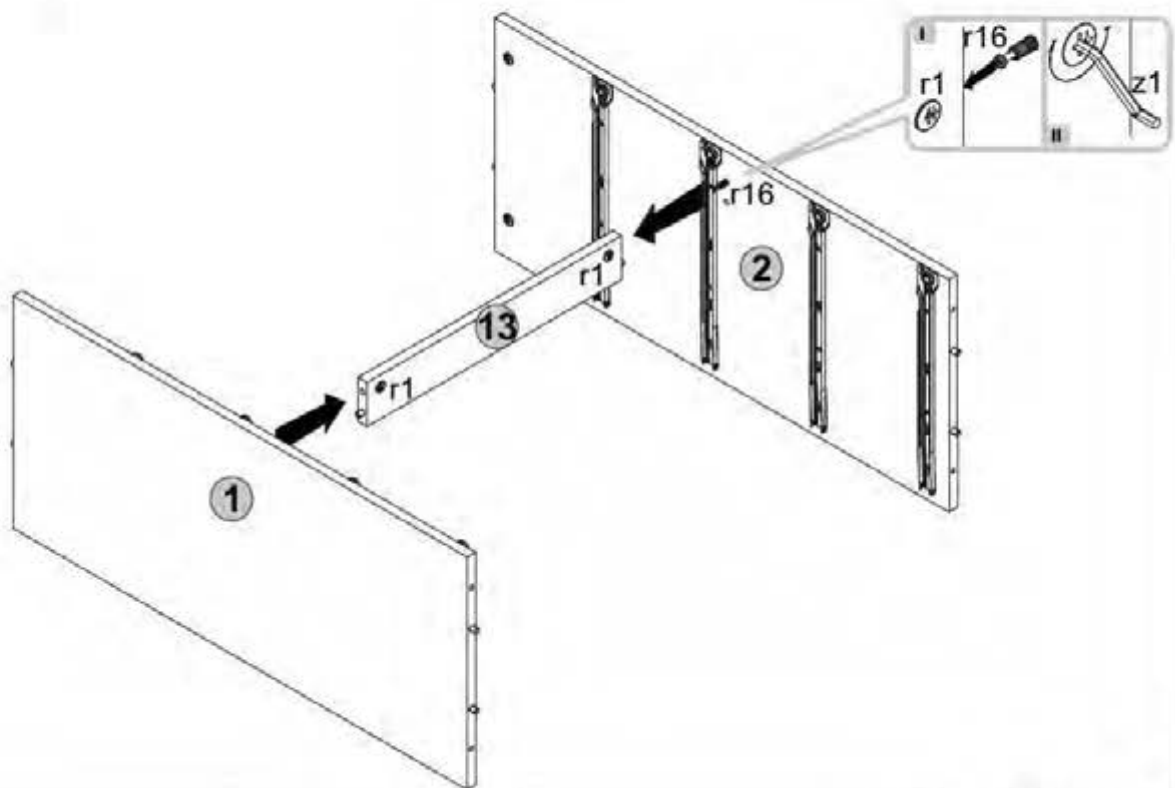


4x 32 mm c158	4x e1 ø7x70 mm	24x e3 ø6x13 mm	16x e19 ø5x9 mm	10x f1 ø8x39 mm	16x f25 ø6.5x40 mm	8x j30 M4x22 mm
4x k22 ø15	30x l1	4x l27	2x l28 ^L	2x l28 ^P	16x p83 ø7x12 mm	6x r1 ø15x12 mm A16
22x r16	2x s2 ø16	4x w45 ^{CL} 350 mm	4x w45 ^{CR} 350 mm	4x w45 ^{DL} 350 mm	4x w45 ^{DR} 350 mm	1x z1

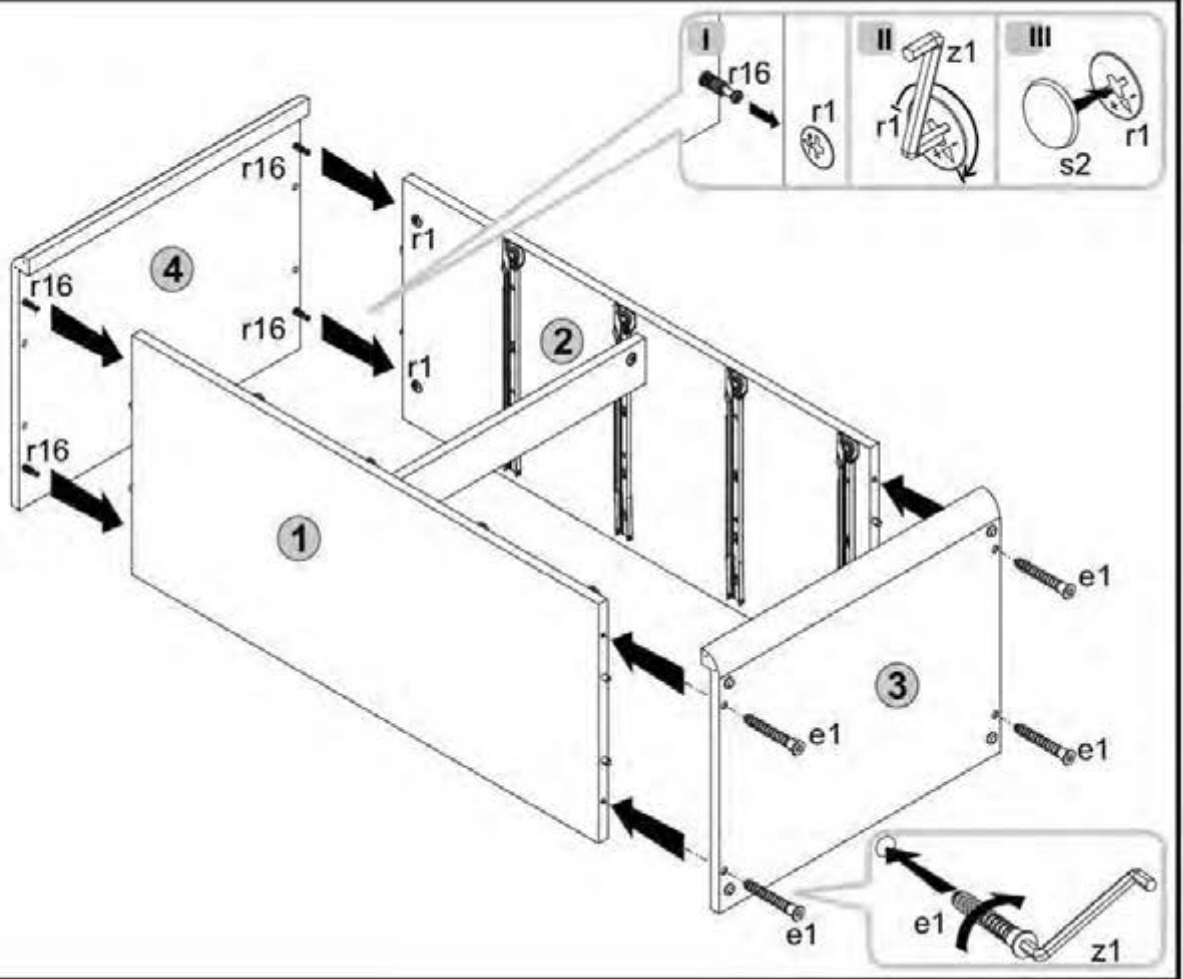
1



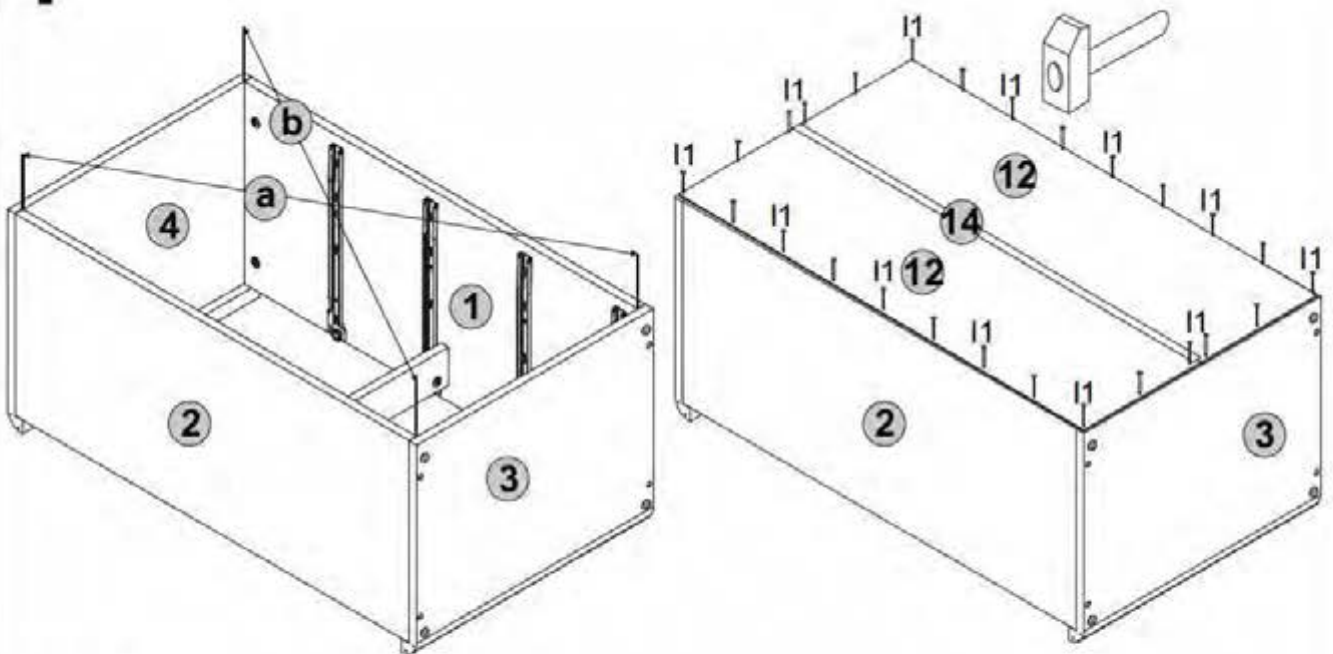
2



3

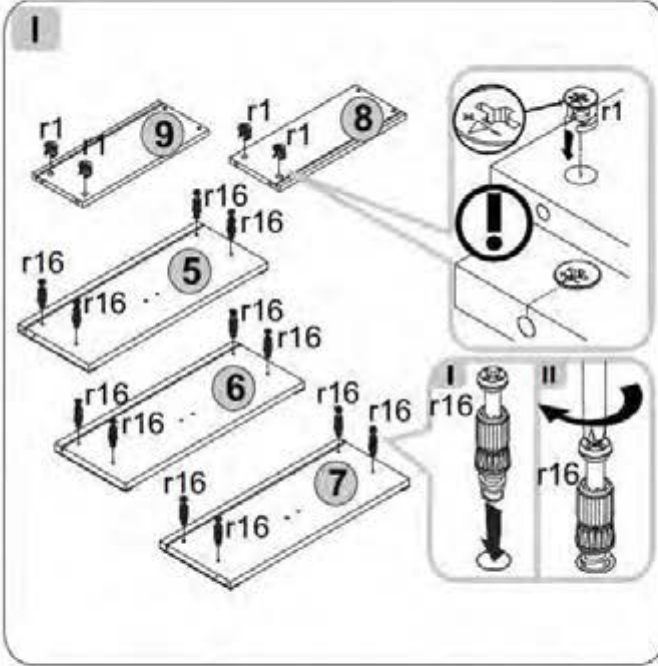


4

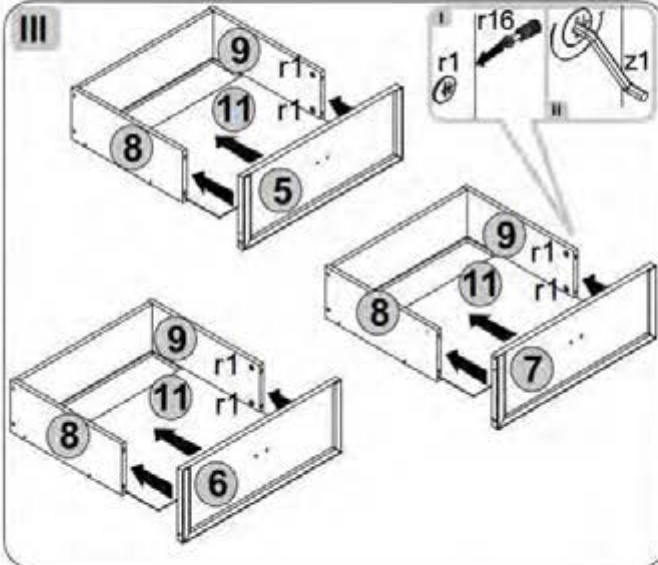
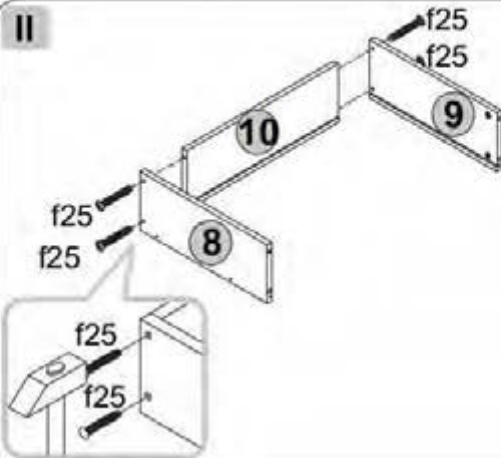


a=b

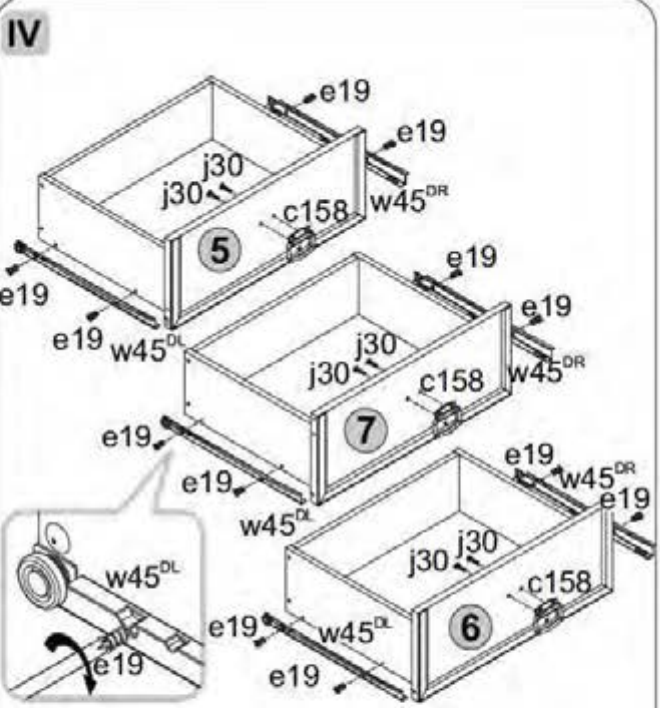
5



II



IV



6

