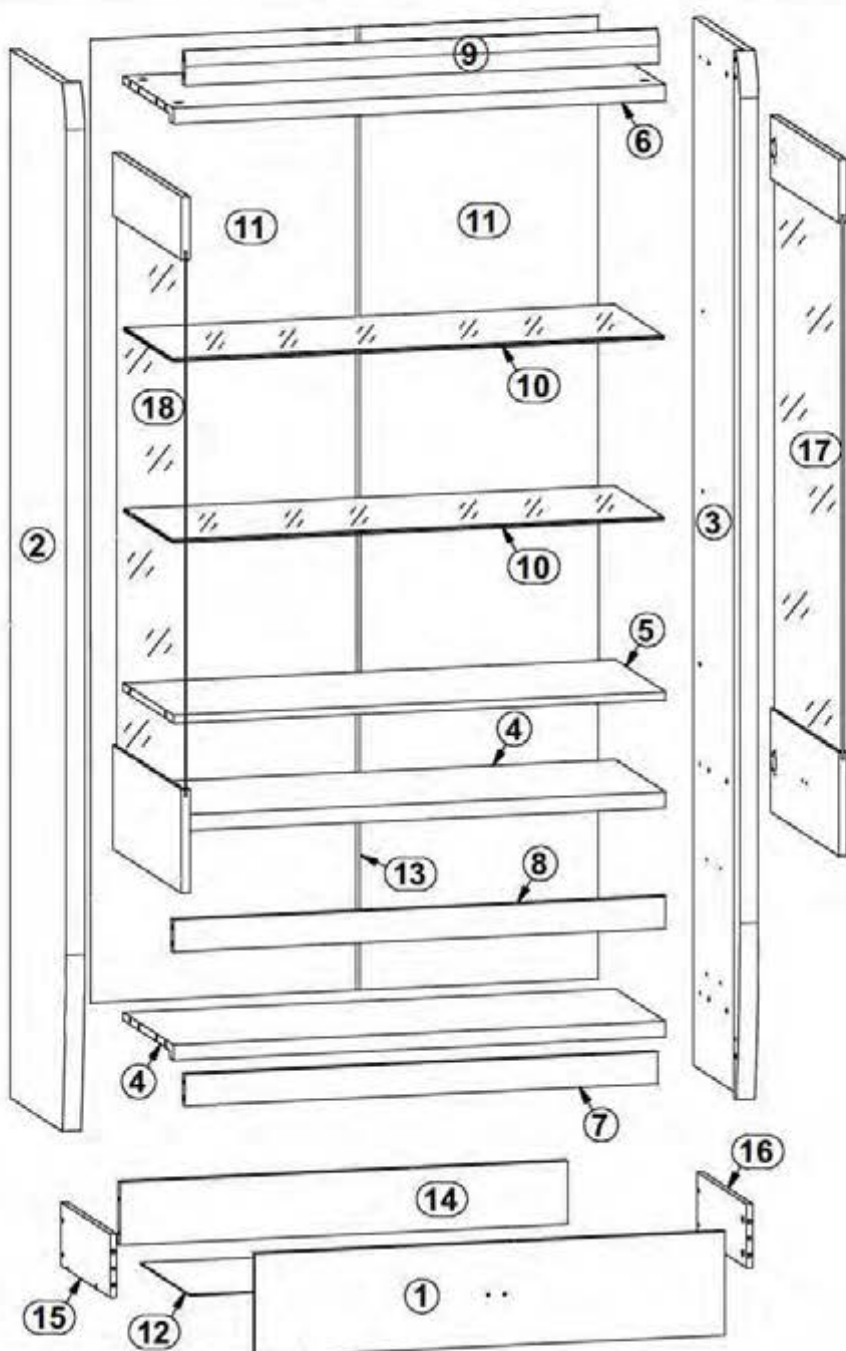
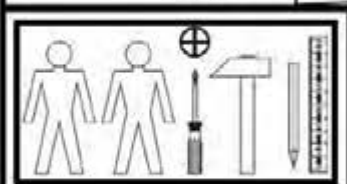


LOREN

S163-REG2W2S

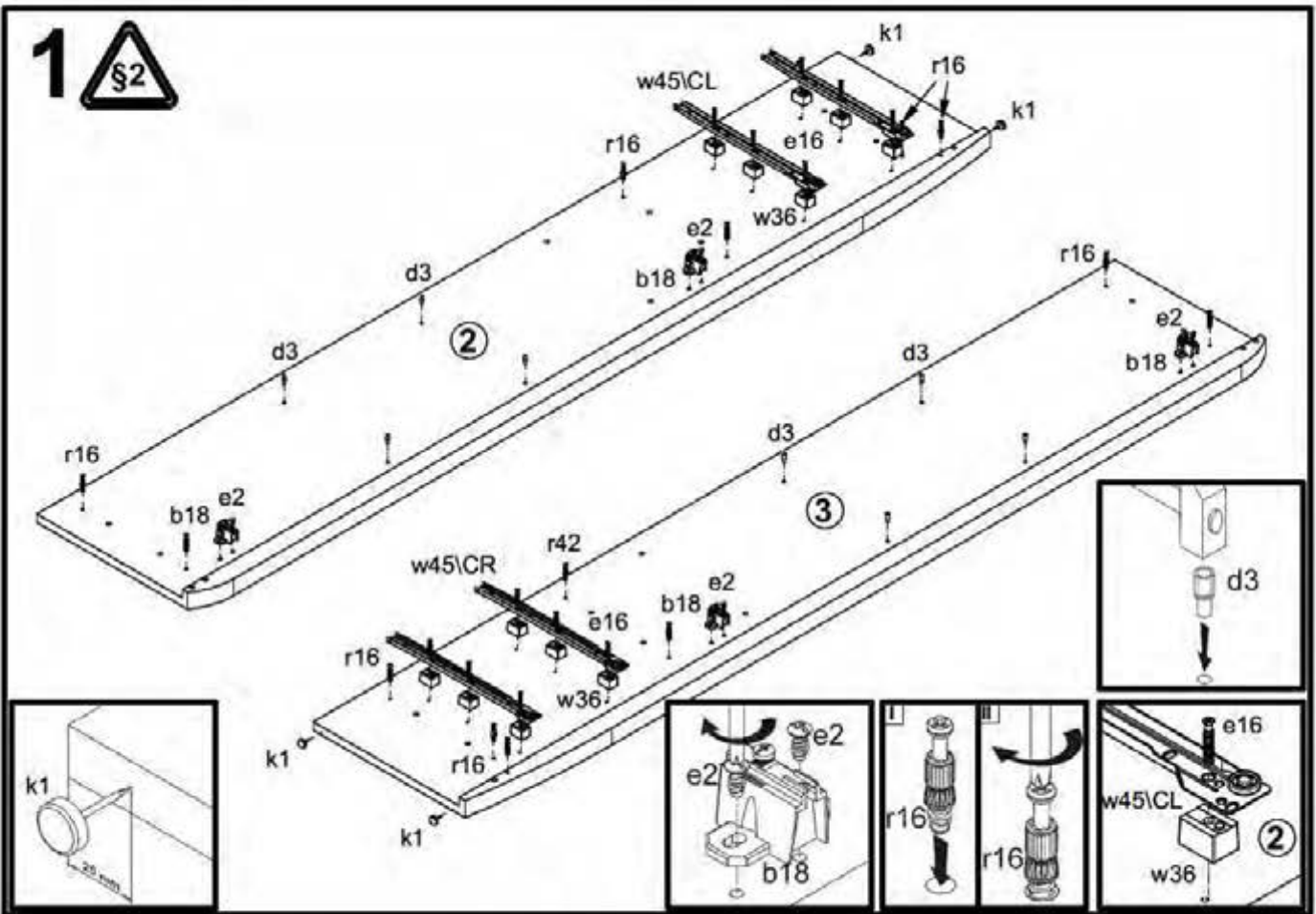


A	B	C	D
1	S163 0009A	792	196 4/5
2	S163 1103	1980	400 1/5
3	S163 1104	1980	400 1/5
4	S163 3326	834	359 2/5
5	S163 3353	834	359 2/5
6	S163 3337	834	359 2/5
7	S163 4403	798	60 2/5
8	S163 4409	834	60 2/5
9	S163 506	978	64 2/5
10	S163 554	832	350 3/5
11	S163 91905	1779	432 1/5
12	S163 9933	771	355 2/5
13	Lh 1749	1749	16 1/5
14	ZB 5516	741	120 2/5
15	BB 501	350	120 2/5
16	BB 502	350	120 2/5
17	S163 0055A	1316	389 5/5
18	S163 0056A	1316	389 5/5

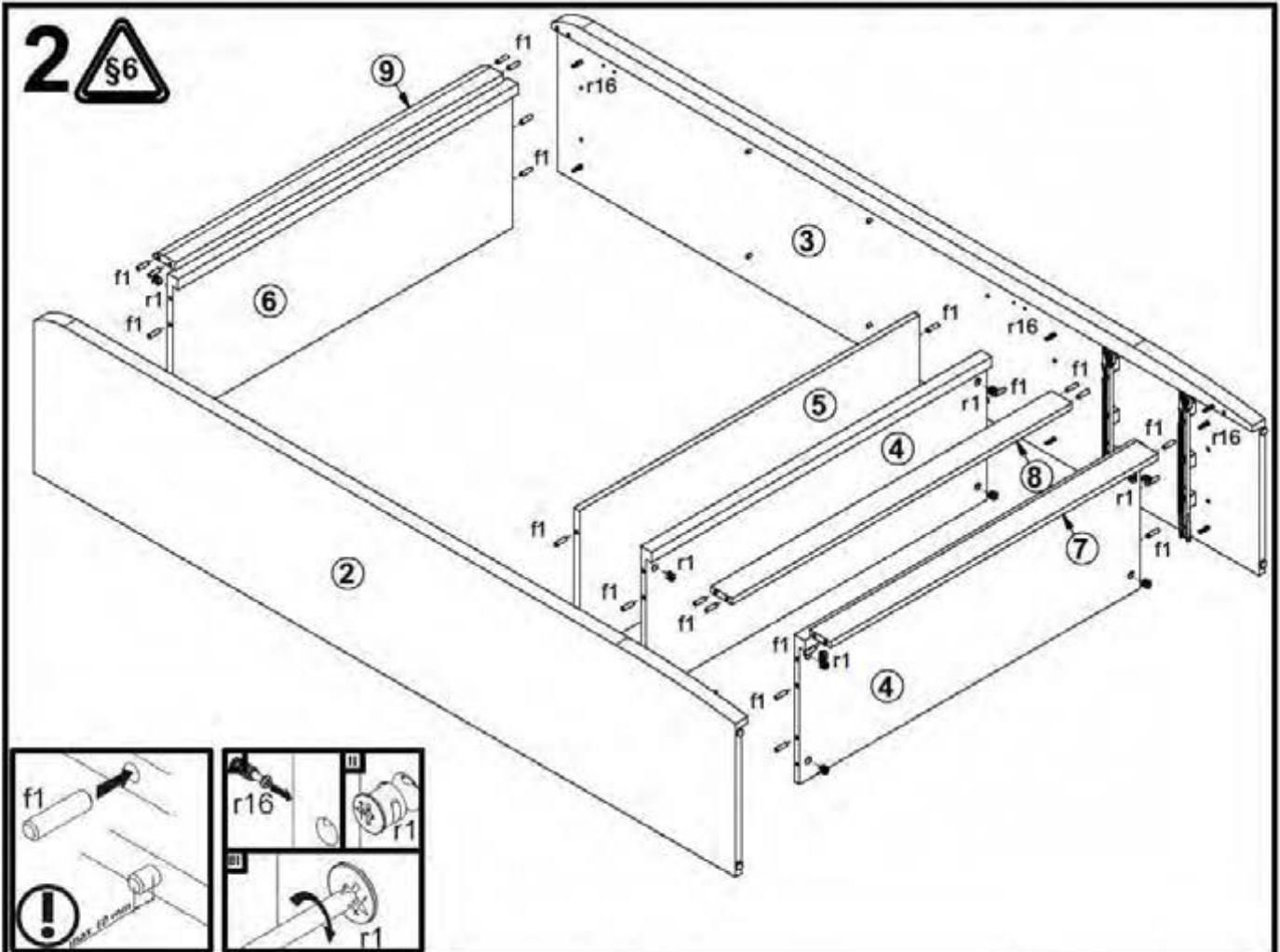


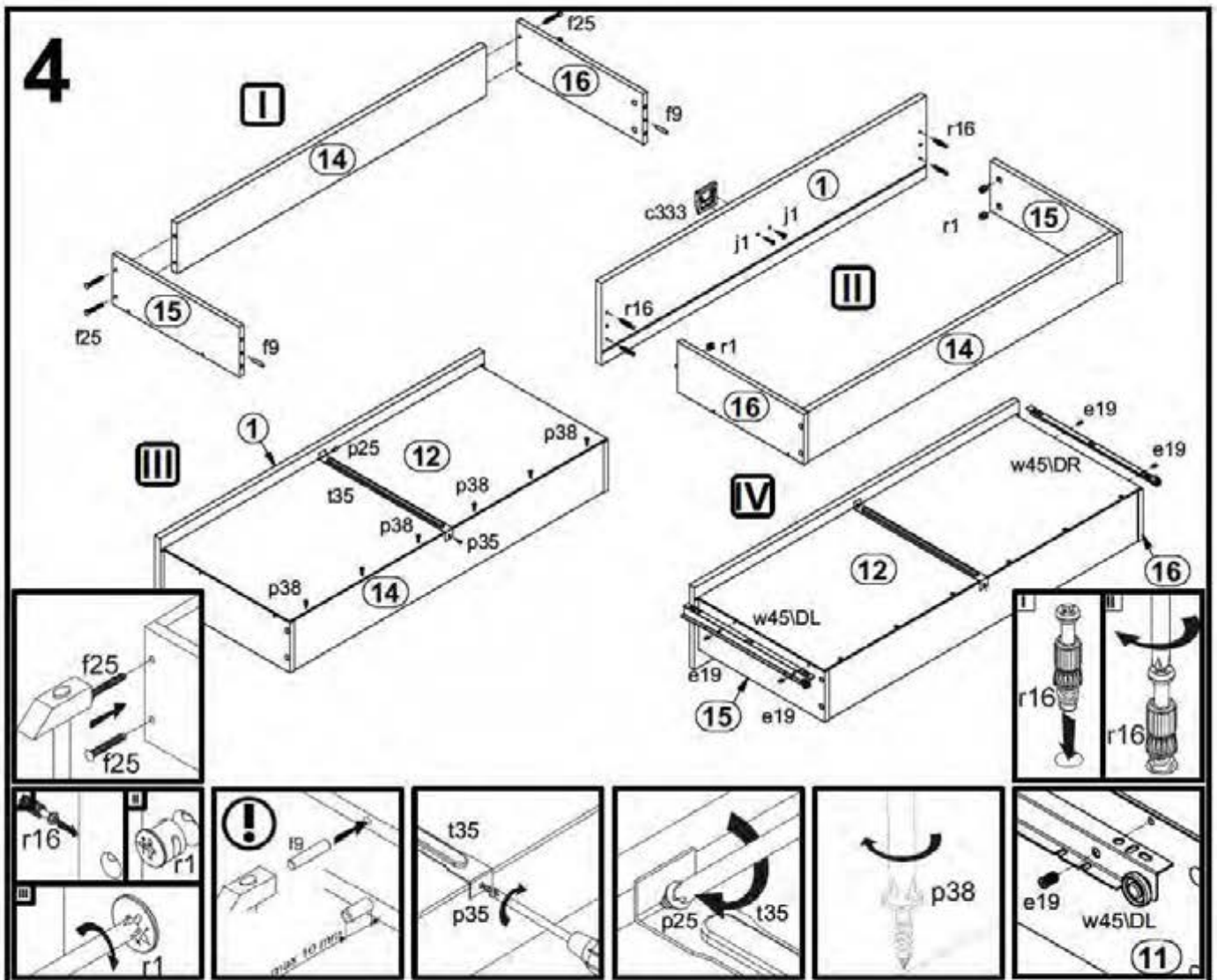
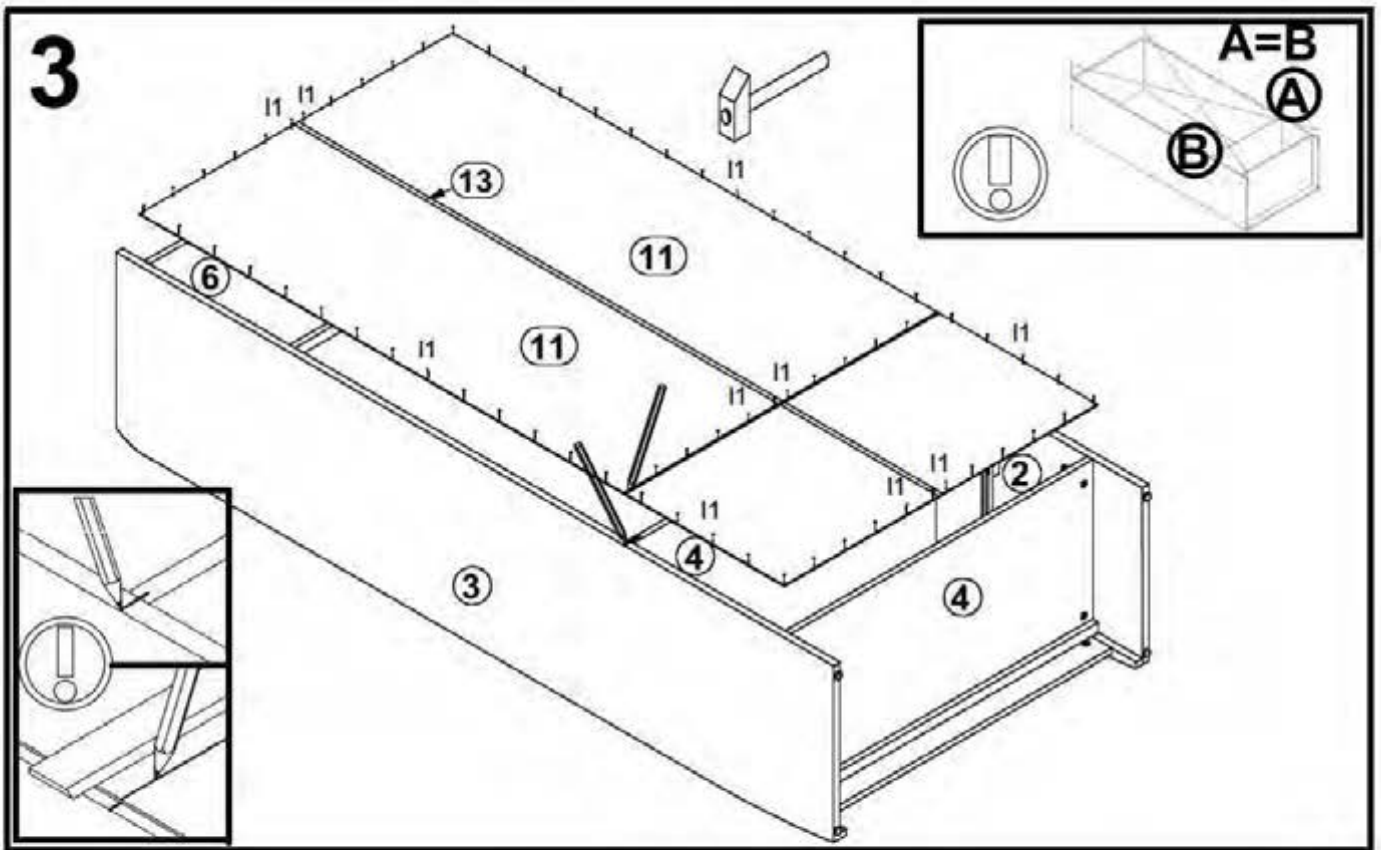
4x a43	4x b18	4x c333	8x d3 Ø8x17 mm	12x e16 Ø8x30 mm	8x e19 Ø8x42 mm	8x e2 Ø8x13 mm	26x f1 Ø8x30 mm	4x f9 Ø8x30 mm
8x f25 Ø8.5x43 mm	8x j1 M4x20 mm	4x k1	70x l1	2x p25 Ø3.5x15 mm	2x p35 Ø3.5x10 mm	13x p38 Ø3.5x15 mm	8x p51 Ø3.5x15 mm	22x r1 Ø15x12 mm #10
2x t35 350 mm	22x r16	12x w36 H. 18 mm	2x w45\CL 360 mm	2x w45\CR 360 mm	2x w45\DL 360 mm	2x w45\DR 360 mm	1x n26\1	

1 



2 





5

