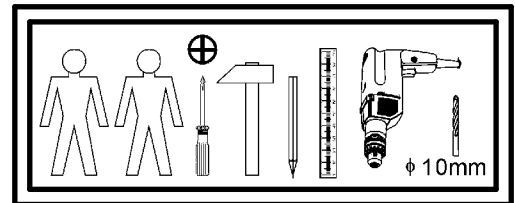
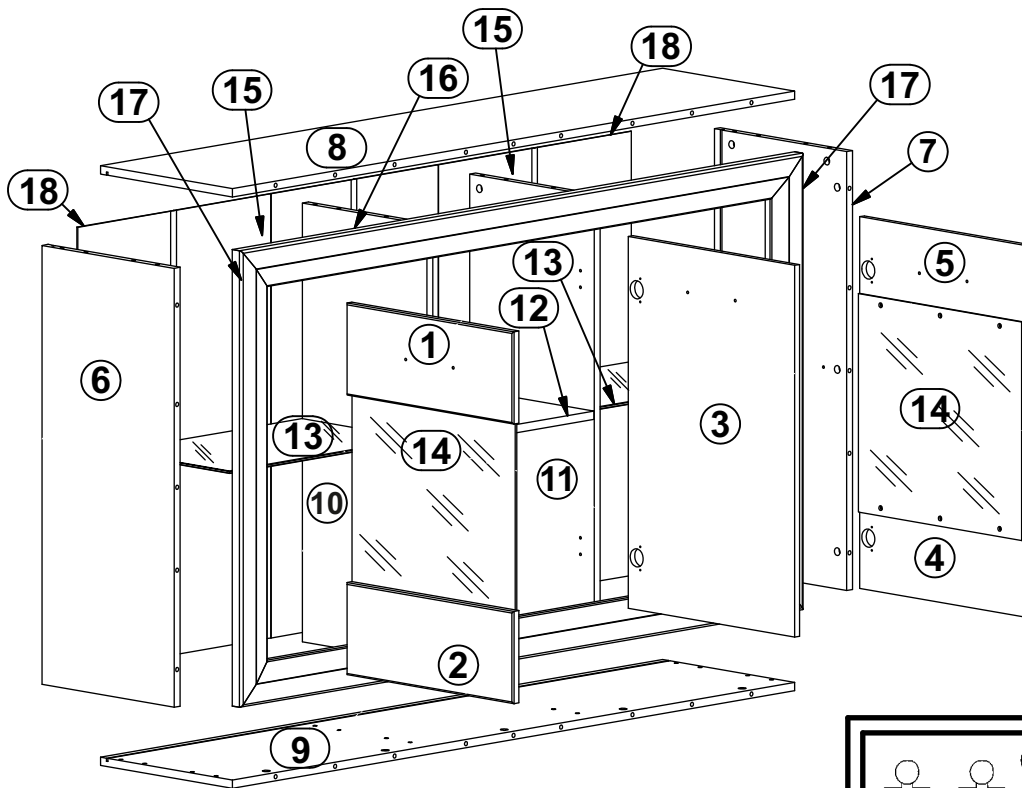
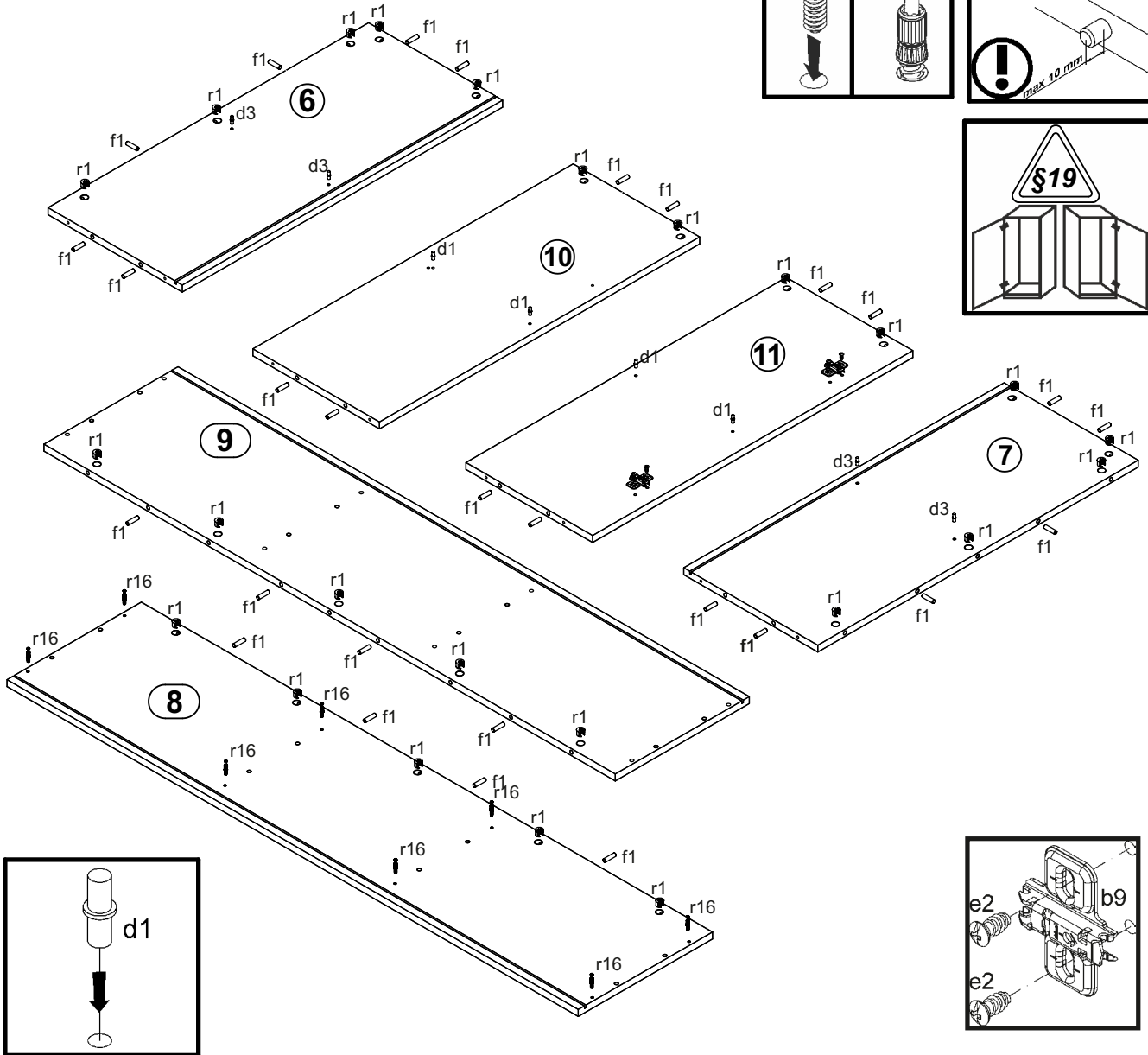
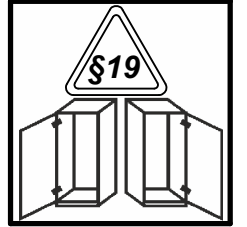
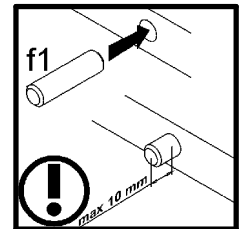
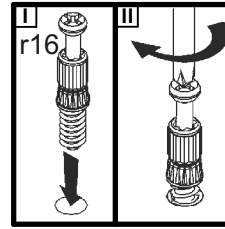


A	B	C	D	
1	B136-053	447	177	1/6
2	B136-012	447	177	1/6
3	B136-011	447	717	1/6
4	B136-009	447	177	1/6
5	B136-054	447	177	1/6
6	B136-104	848	355	1/6
7	B136-187	848	355	1/6
8	B136-207	1511	355	2/6
9	B136-208	1511	355	2/6
10	B136-151	847,5	335	1/6
11	B136-188	847,5	335	1/6
12	B136-302	434	331	2/6
13	B136-336	504	300	5/6
14	B136-562	426	437	4/6
15	B136-905	858	259	2/6
16	B136-573	1513	80	3/6
17	B136-574	882	80	3/6
18	B136-926	858	259	2/6
19	B136-907	858	224	2/6
20	Lh-842	842	14	2/6

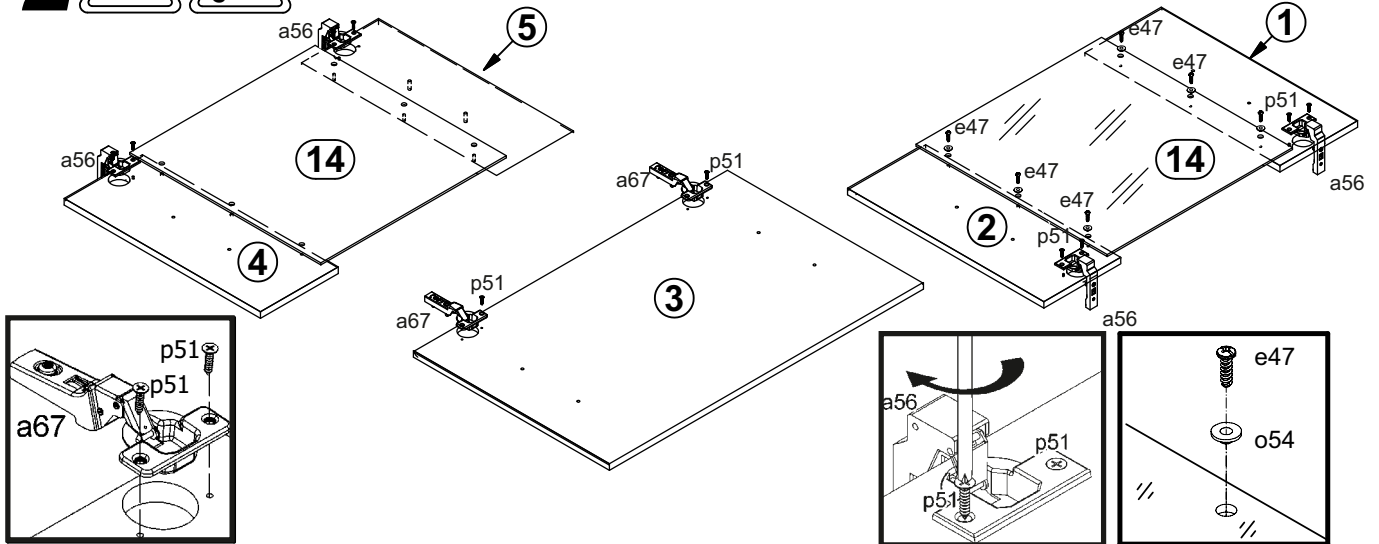


4x  a56	2x  a67	4x  b6	2x  b9	4x  φ5x17 mm d1	8x  φ5x17 mm d3	4x  φ6.3x13 mm e2	12x  φ5x16 mm e47	36x  φ8x30 mm f1
3x  φ412.050	6x  f4x30 mm p9	1x  φ10x50 mm f35	6x  60x60x25 mm k55	12x  φ4x35 mm p6	1x  n26	8x  20x13x3.5 mm n108	20x  l2	12x  φ5.3/φ8.3x4.8 mm o54
1x  φ3.5x16 mm p38	12x  φ3.5x15 mm p51	1x  φ5x60 mm p17	8x  φ2.9x16 mm p55	32x  φ15x12mm #16 r1	4x  r10	24x  20x9 r16	18x  ø16 s2	8x  φ7x50 mm e1
1x  z1	6x  silikon φ8x1.8mm o21							

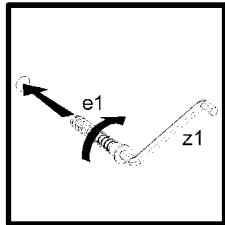
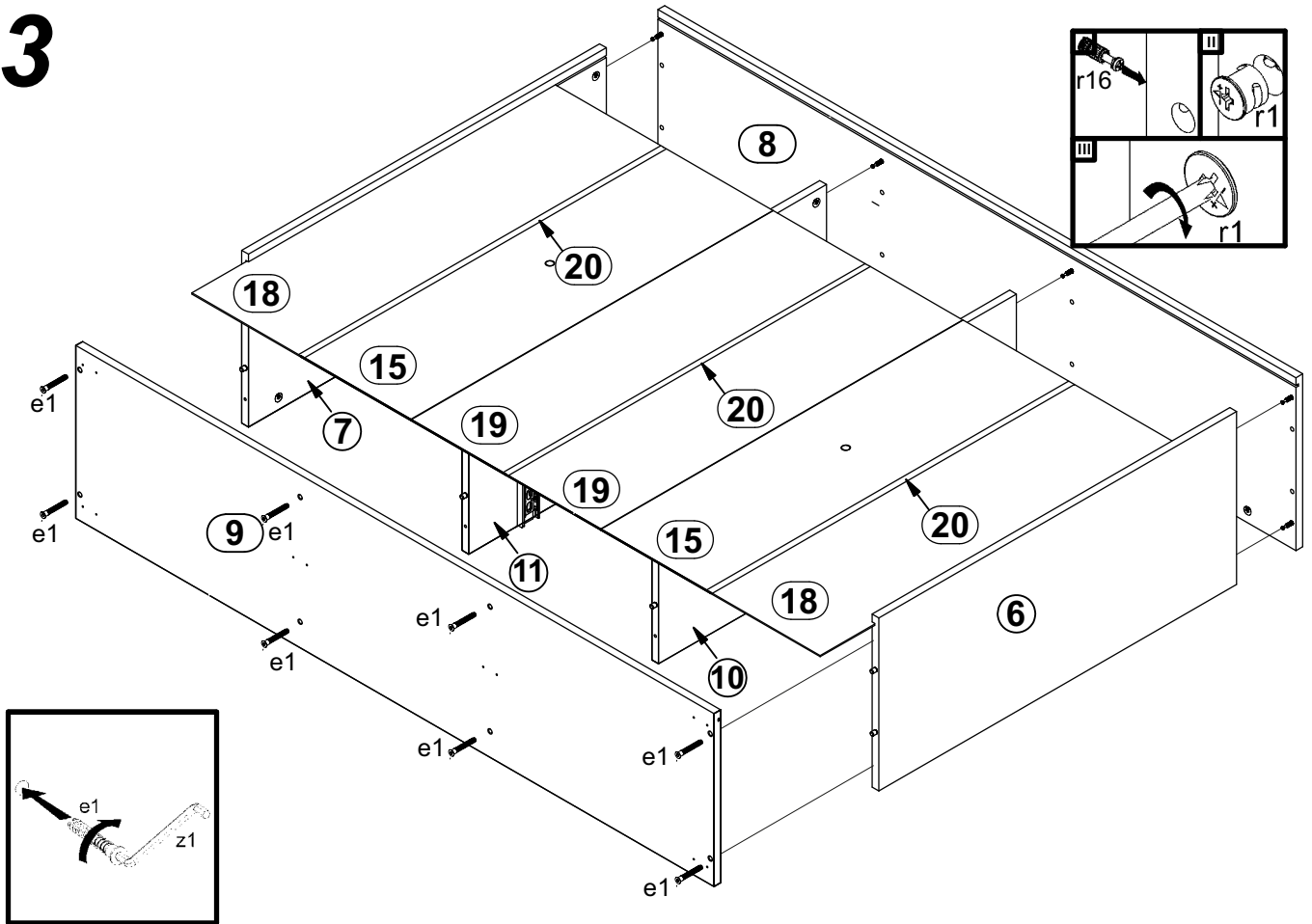
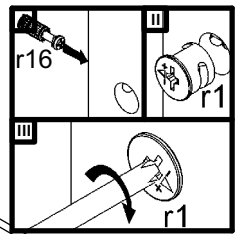
# 1



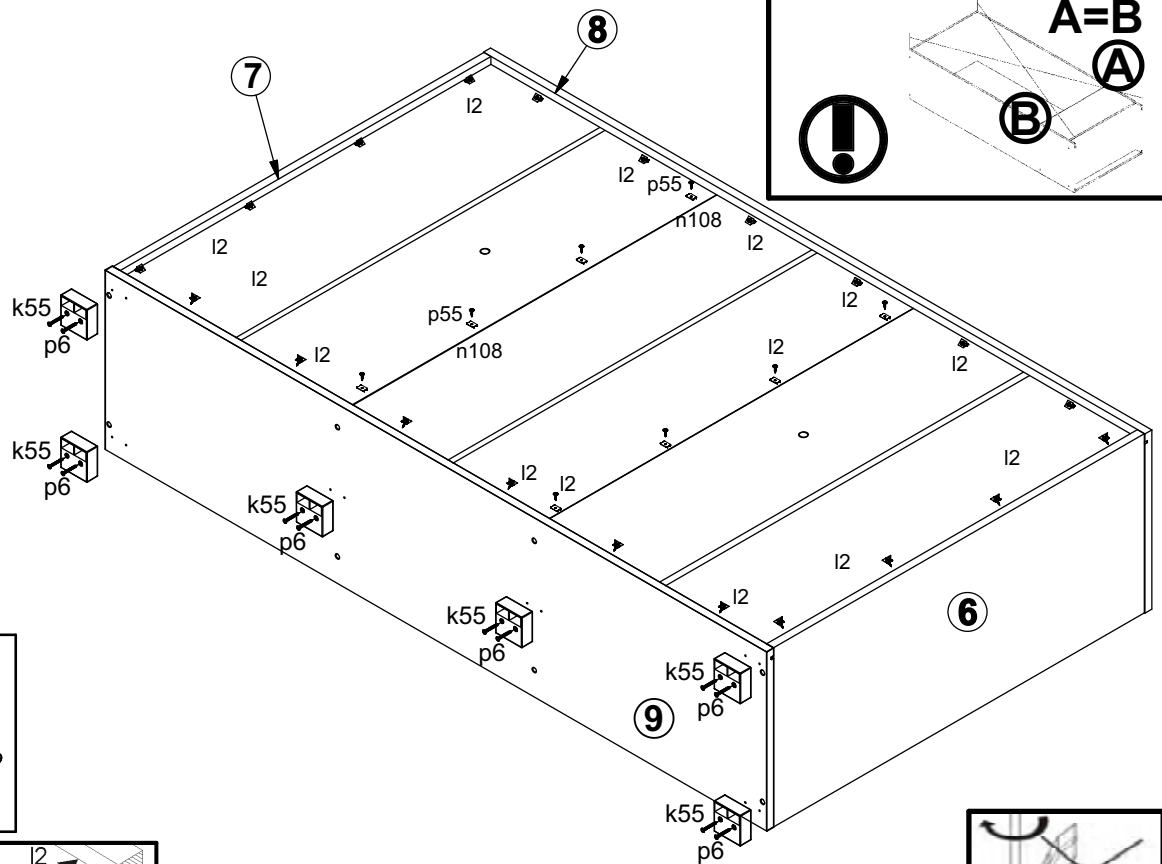
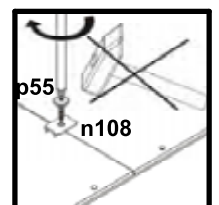
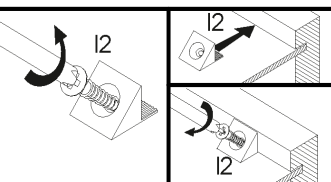
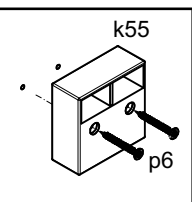
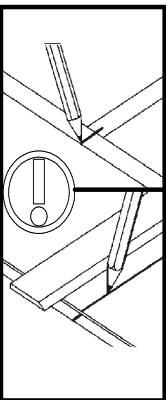
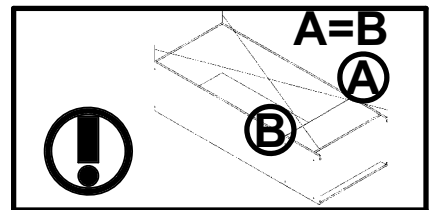
# 2



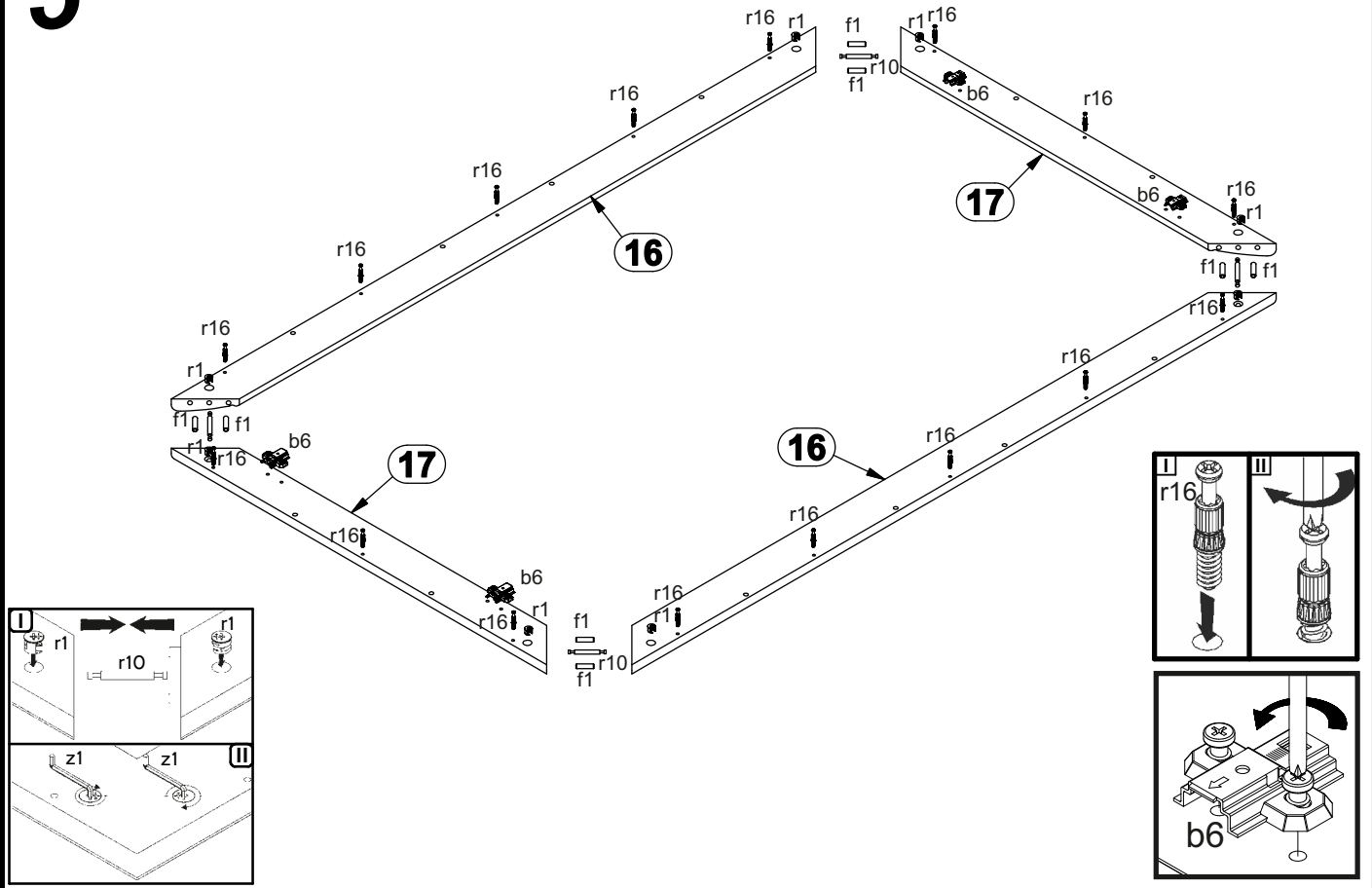
# 3



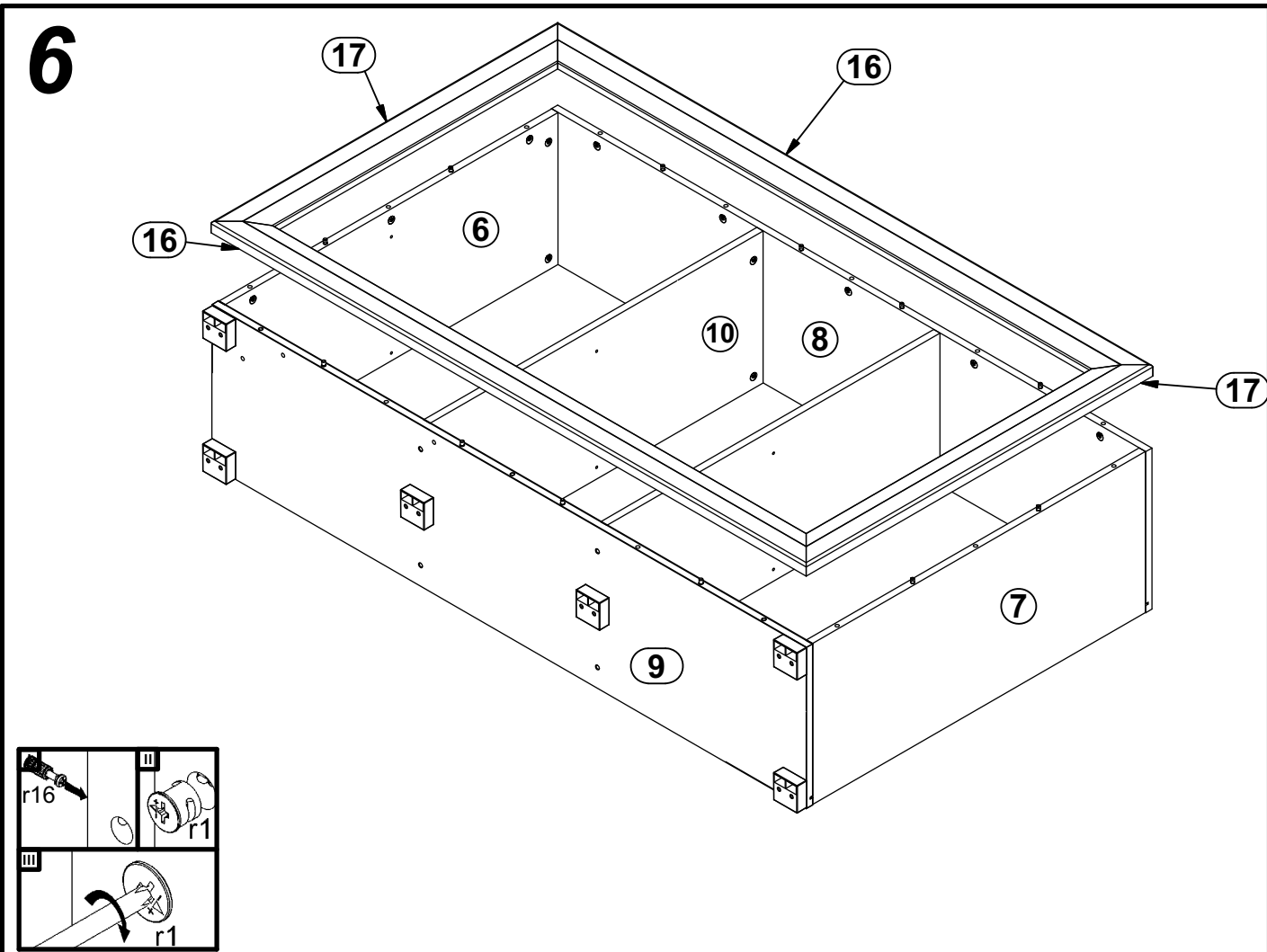
# 4



# 5



# 6



# 7

