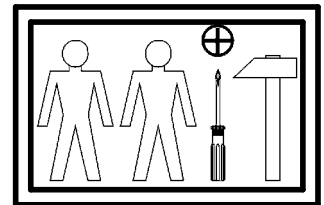
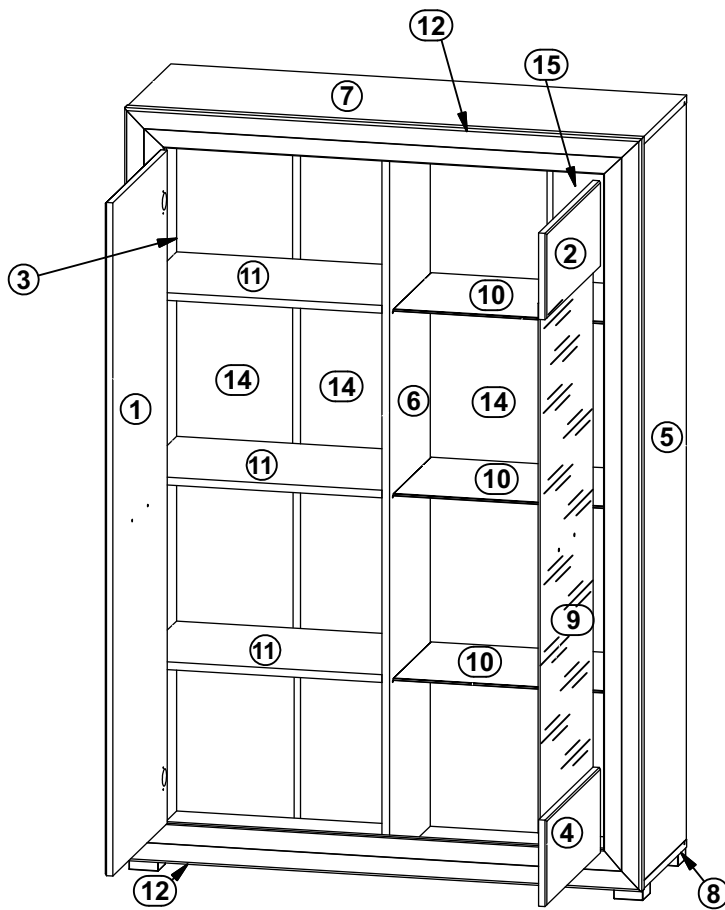
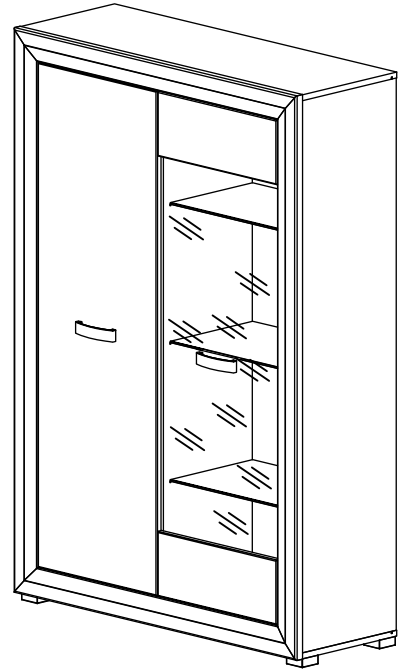
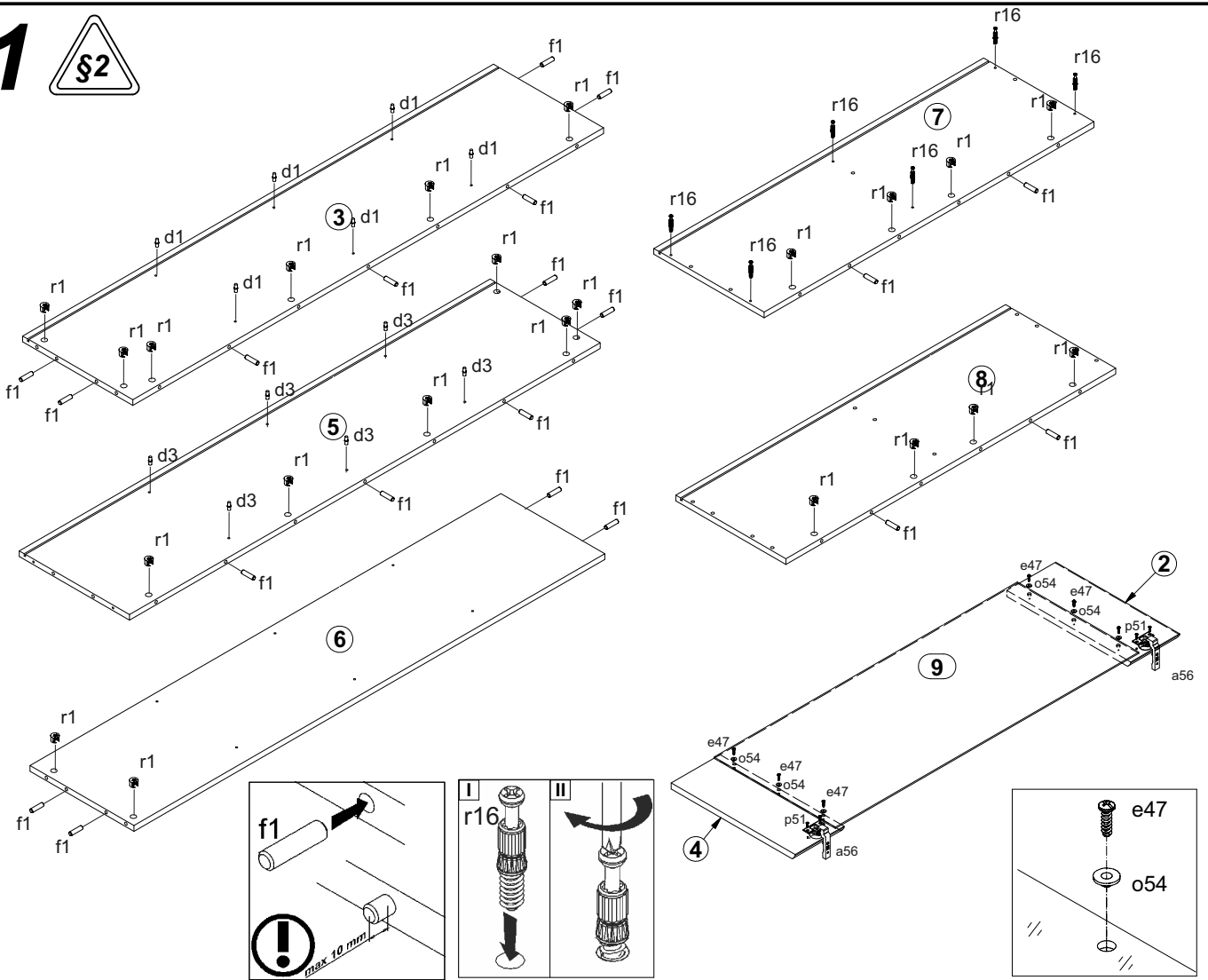


A	B	C	D	
1	B136-003	1385	447	1/5
2	B136-012	447	177	1/5
3	B136-143	1516	355	2/5
4	B136-009	447	177	1/5
5	B136-144	1516	355	2/5
6	B136-145	1516	335	2/5
7	B136-225	1061	355	1/5
8	B136-226	1061	355	1/5
9	B136-565	437	1091	3/5
10	B136-336	504	300	4/5
11	B136-301	504	331	2/5
12	B136-572	1063	80	2/5
13	B136-599	1550	80	2/5
14	B136-908	1526	259	2/5
15	B136-909	1526	259	2/5
16	Lh-1510	1510	14	2/5

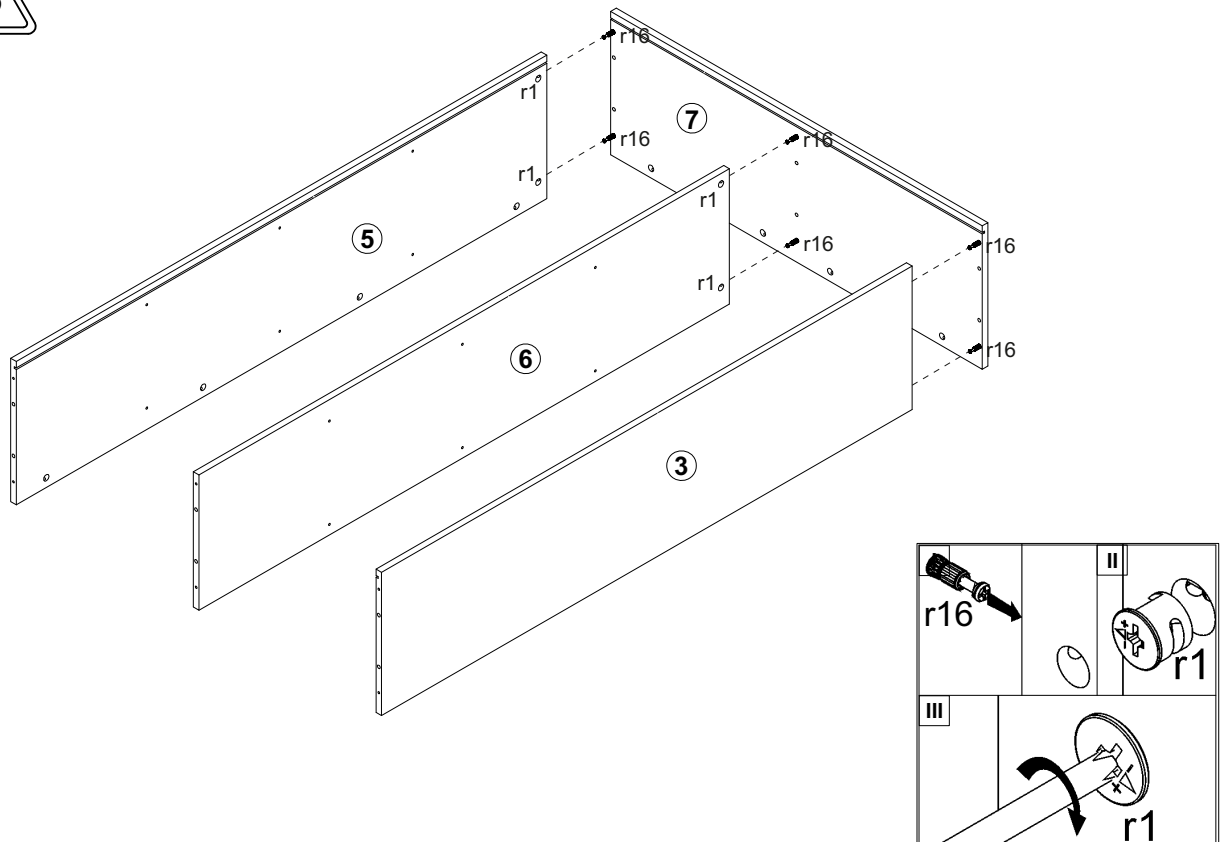


4x a56	4x b6	12x d1 x17 mm	12x d3 x17 mm	6x e1 7x50 mm	6x e47 5x16 mm	30x f1 x30 mm	5x k55 60x60x25 mm	10x p6 x35 mm
2x phi412.050	2x p9 f4x30 mm	2x o27 x5.2mm	2x p93 phi4x13 mm	22x l2	1x n26	8x n108 20x13x3.5-1mm	6x o54 5,3/ 8,3x4,8 mm	1x z1
1x p38 x16 mm	8x p51 x15 mm	8x p55 x16 mm	1x p17 x60 mm	1x f35 x50 mm	30x r1 x12mm	4x r10	22x r16 20/9	22x s2 16
4x o21 x1,8mm silikon								

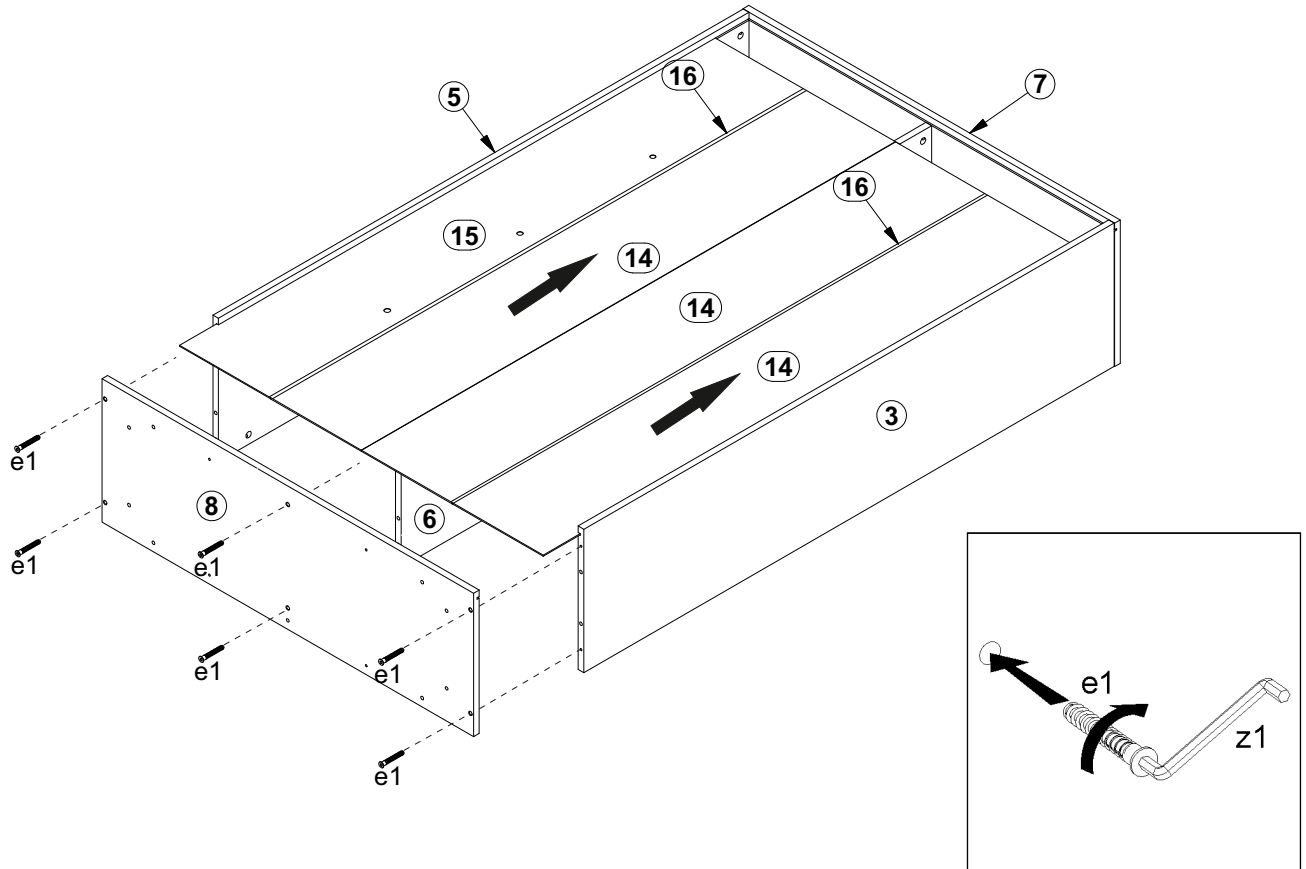
1



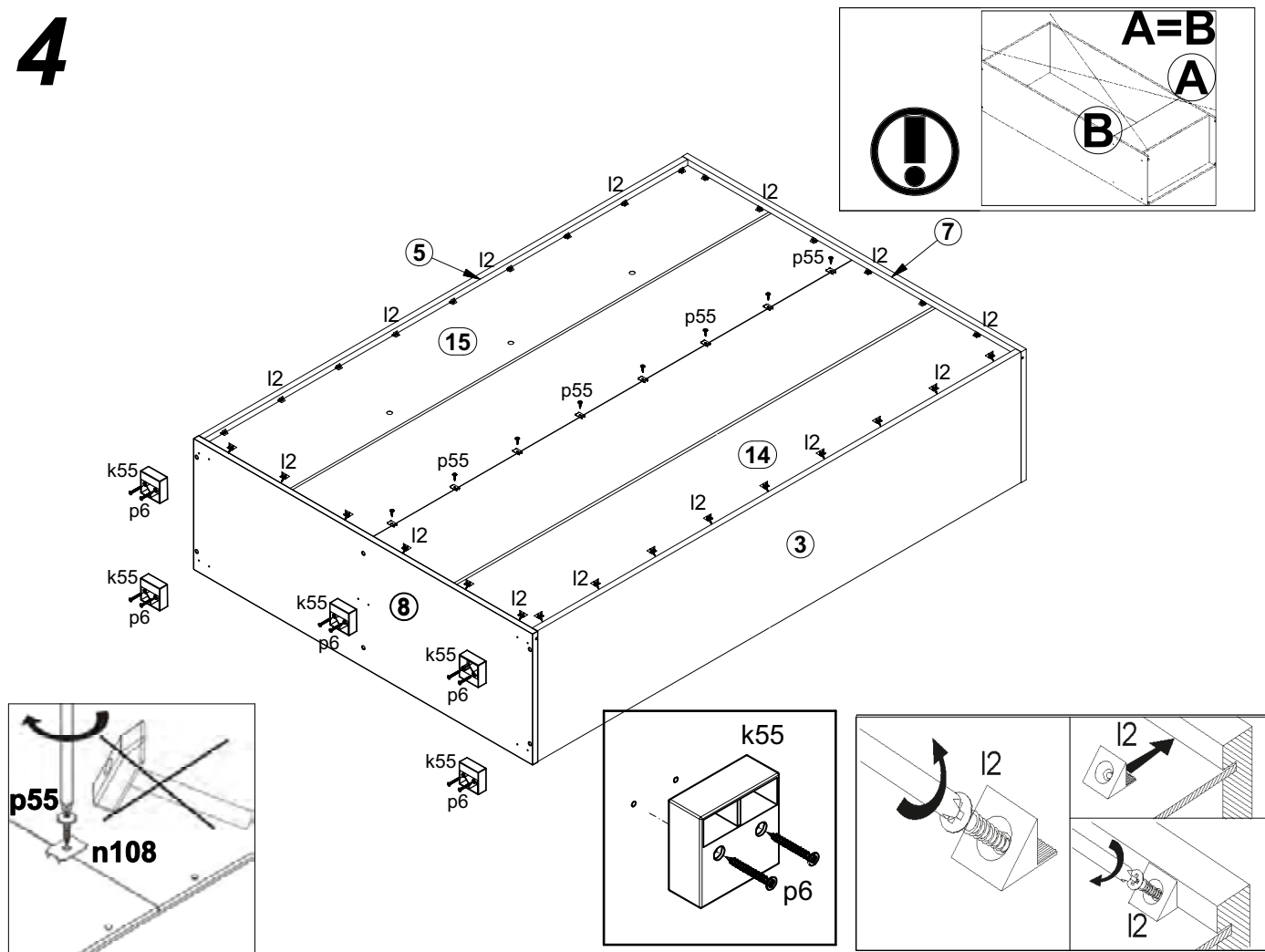
2



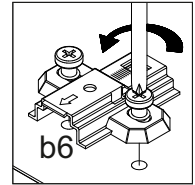
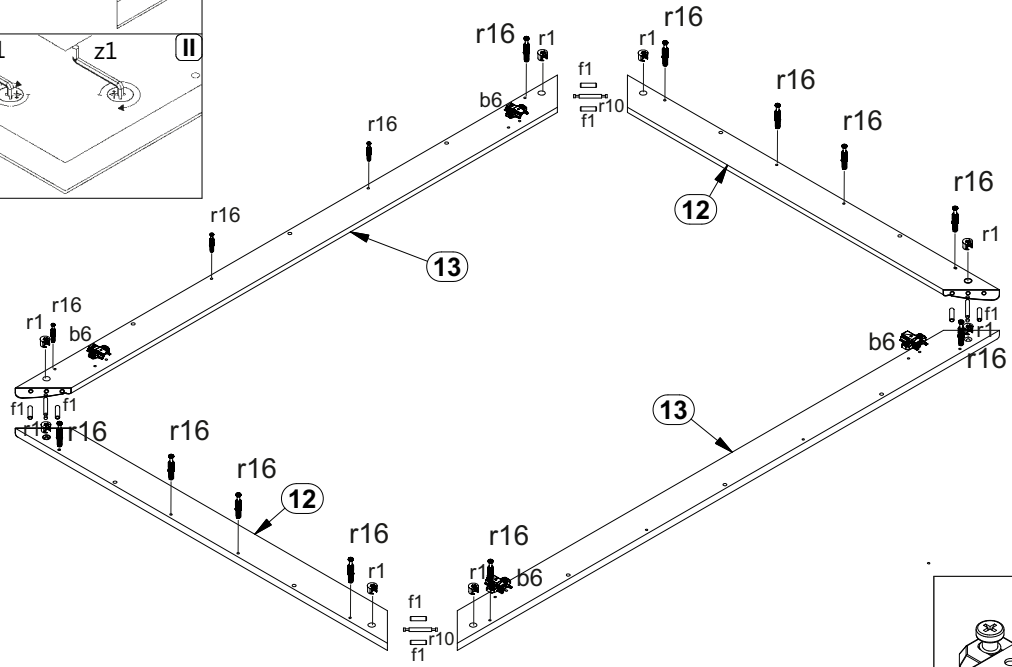
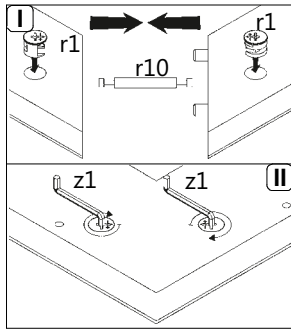
3



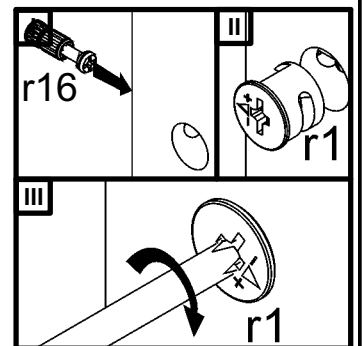
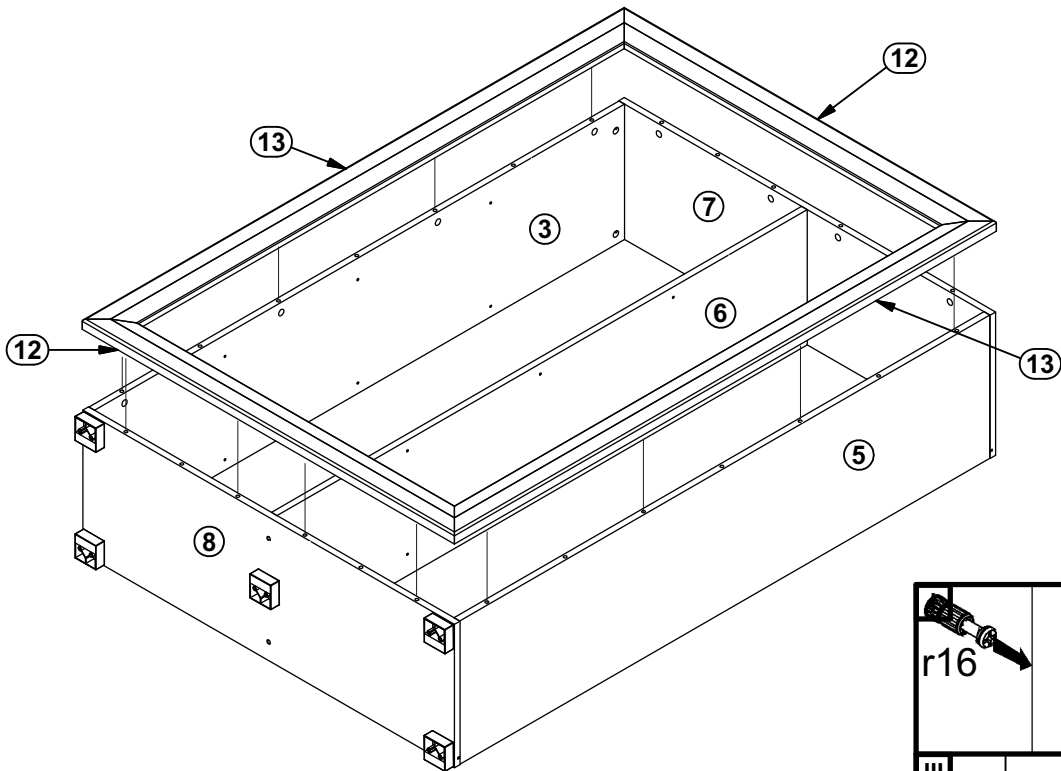
4



5



6



7

