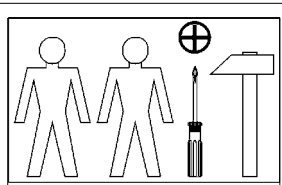
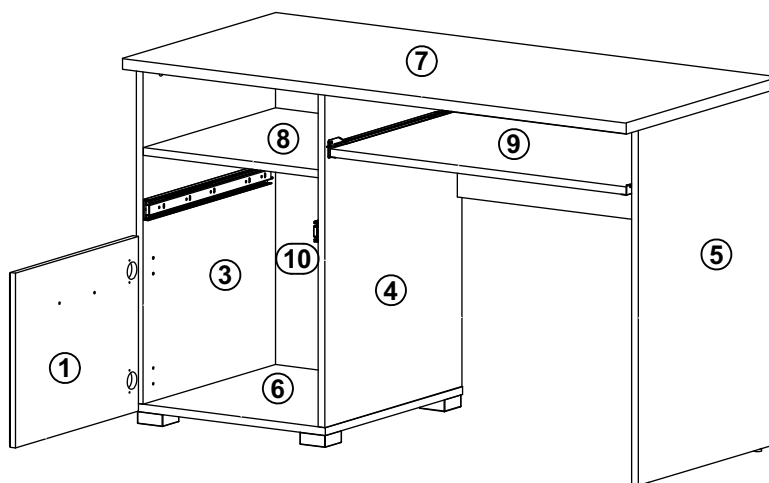
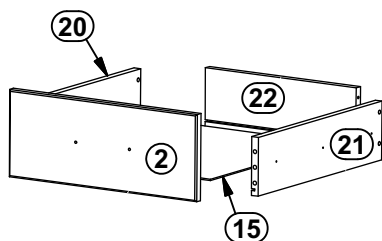
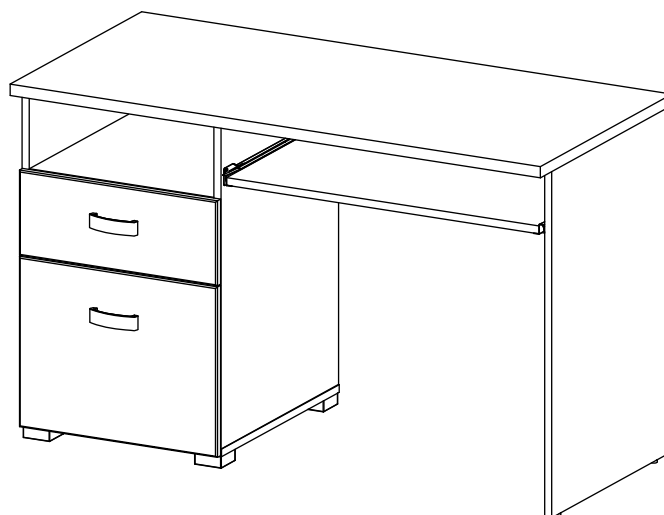
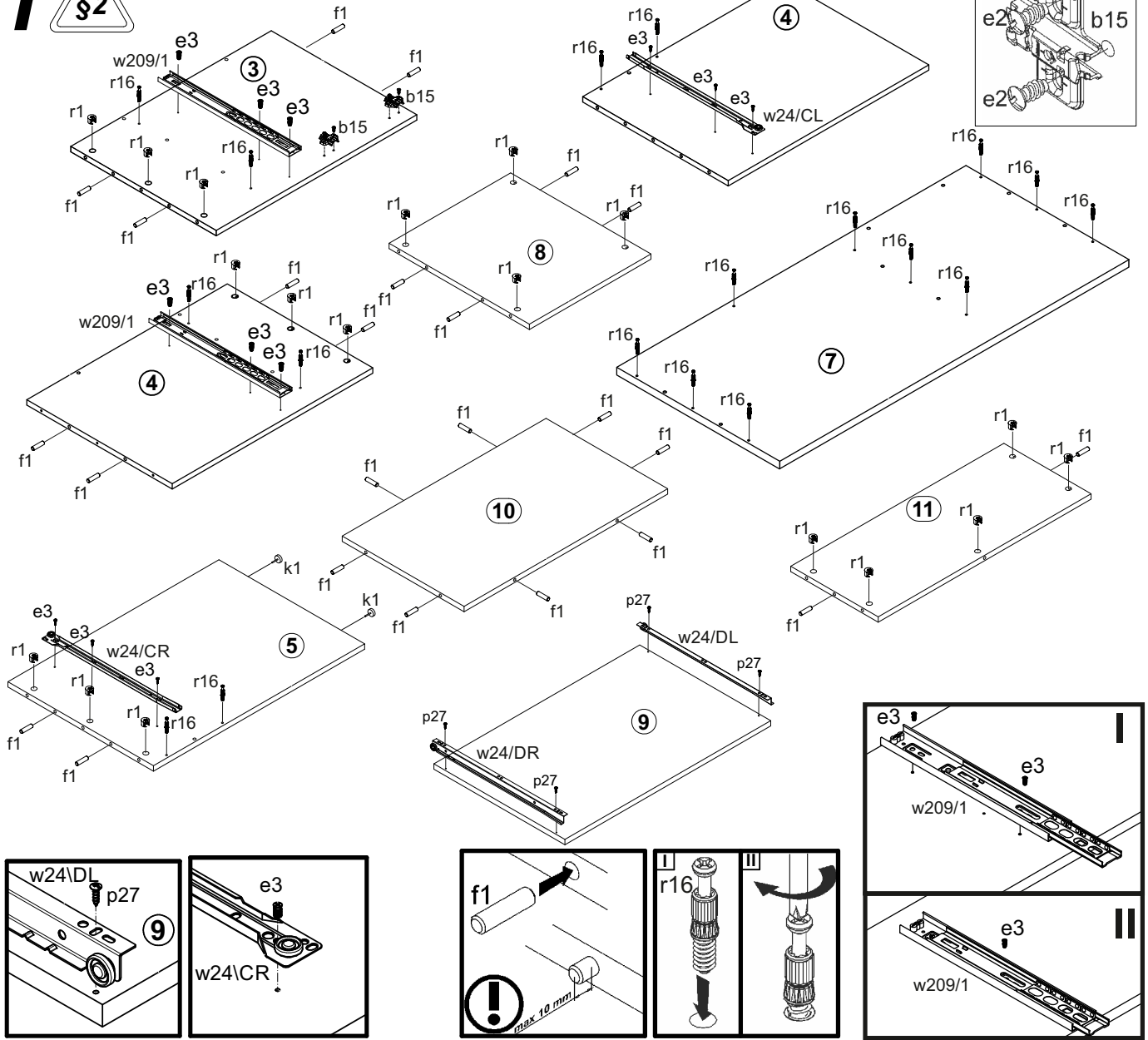


A	B	C	D	
1	B136-033	447	356	2/3
2	B136-057	447	177	2/3
3	B136-156	689	500	1/3
4	B136-157	689	500	1/2
5	B136-158	725	500	2/3
6	B136-232	452	500	2/3
7	B136-233	1200	560	2/3
8	B136-323	418	482	2/3
9	B136-324	707	450	2/3
10	B136-473	689	418	1/3
11	B136-474	732	300	2/3
20	B136-516	450	120	2/3
21	B136-517	450	120	2/3
22	B136-518	360	120	2/3
15	B136-932	374	448	1/3

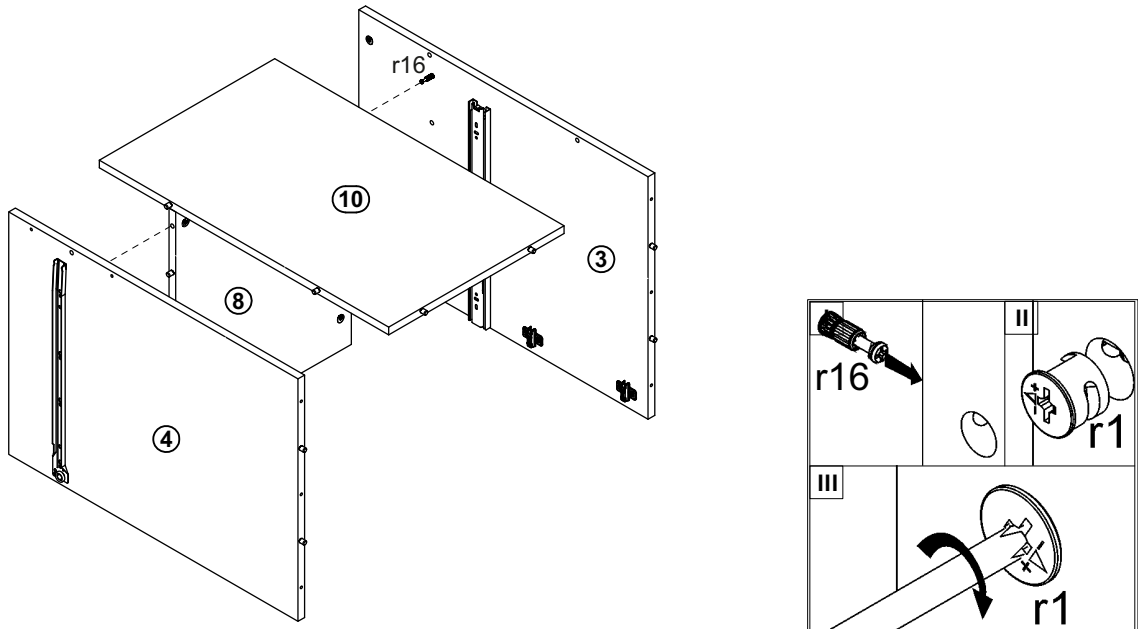


28x φ8x30 mm f1	2x φ412.050	4x f4x30 mm p9	2x a64	1x 450 mm w24\CL	1x 450 mm w24\CR	1x 450 mm w24\DL	1x 450 mm w24\DR	4x φ3,5x13 mm p27
22x φ15x12mm #16 r1	22x 20/9 r16	2x k1	1x z1	2x b15	2x 450 mm w209/1	2x 450 mm w209/2	13x φ16 s2	
4x φ6.3x13 mm e2	4x φ3,5x15 mm p51	12x φ6x13 mm e3	10x φ7x50 mm e1	8x φ4x35 mm p6	4x 60x60.25 mm k55	6x φ3,5x12 mm p140		

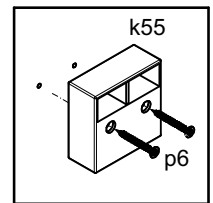
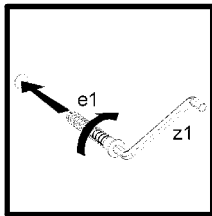
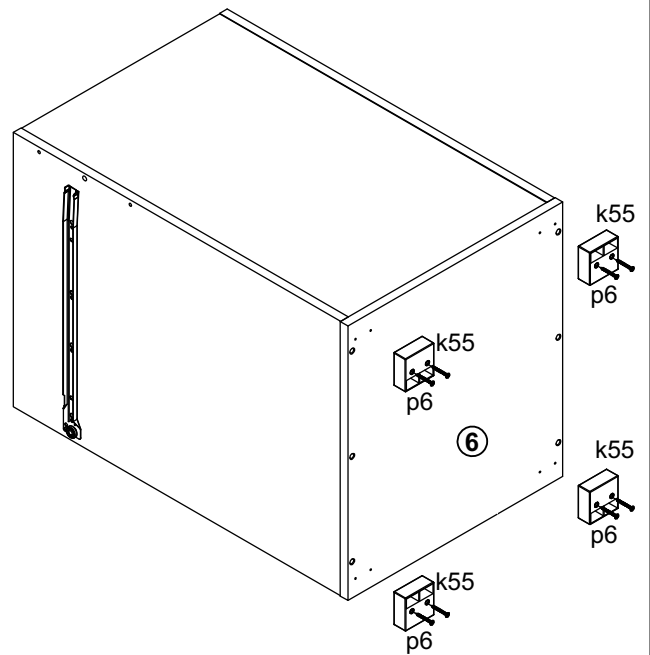
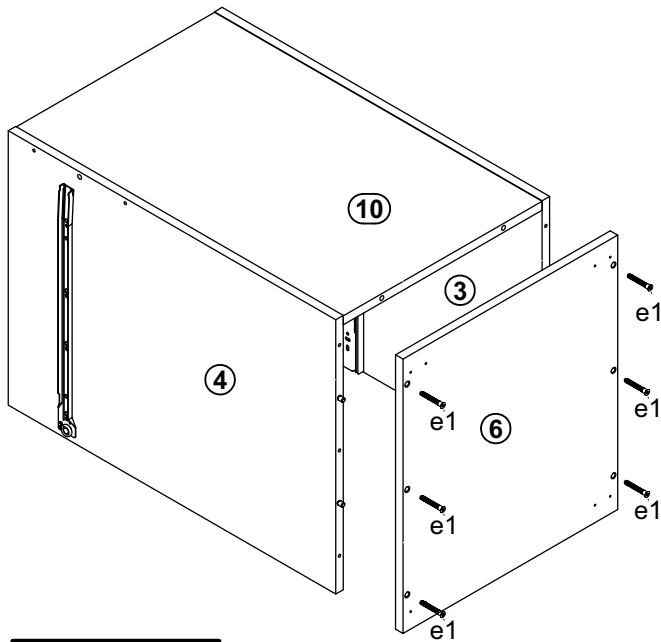
1



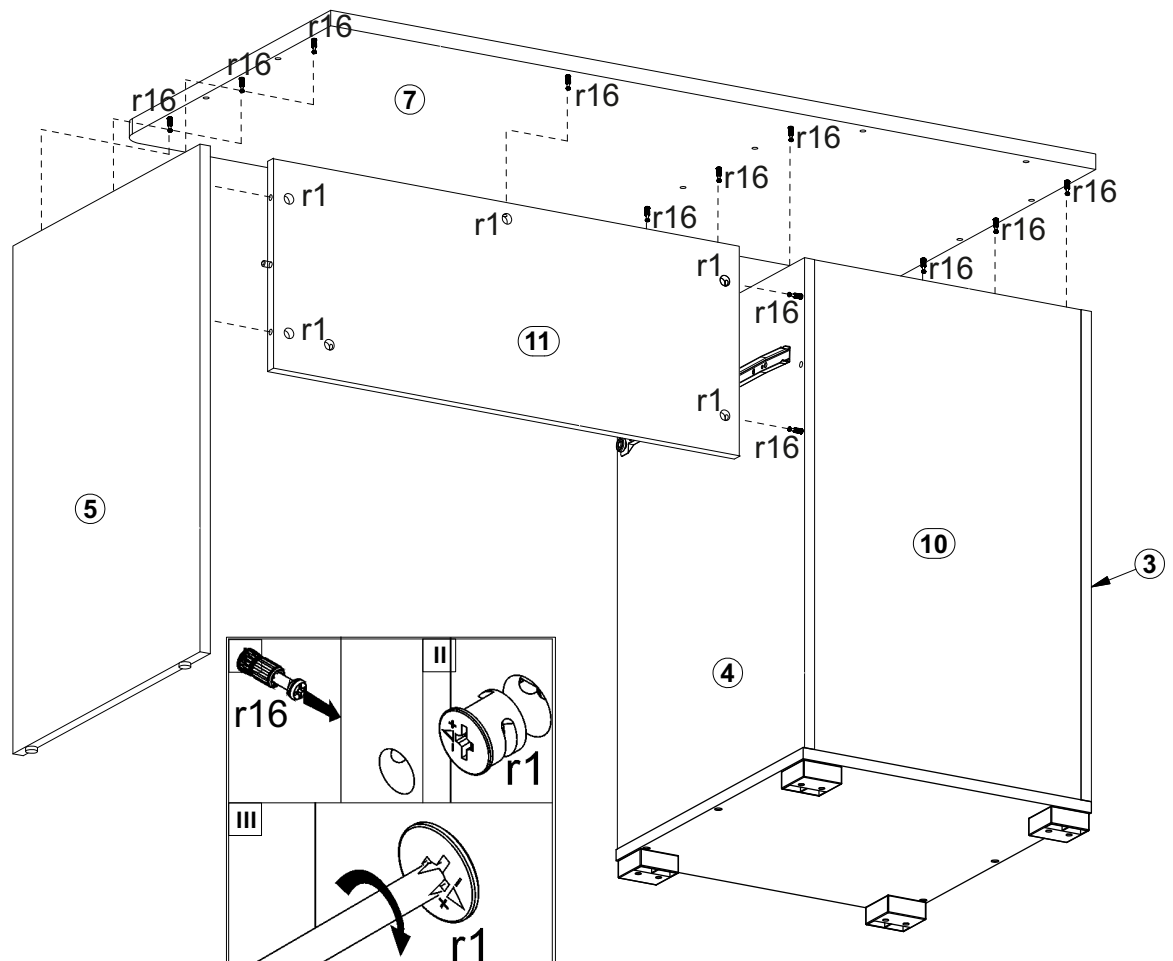
2



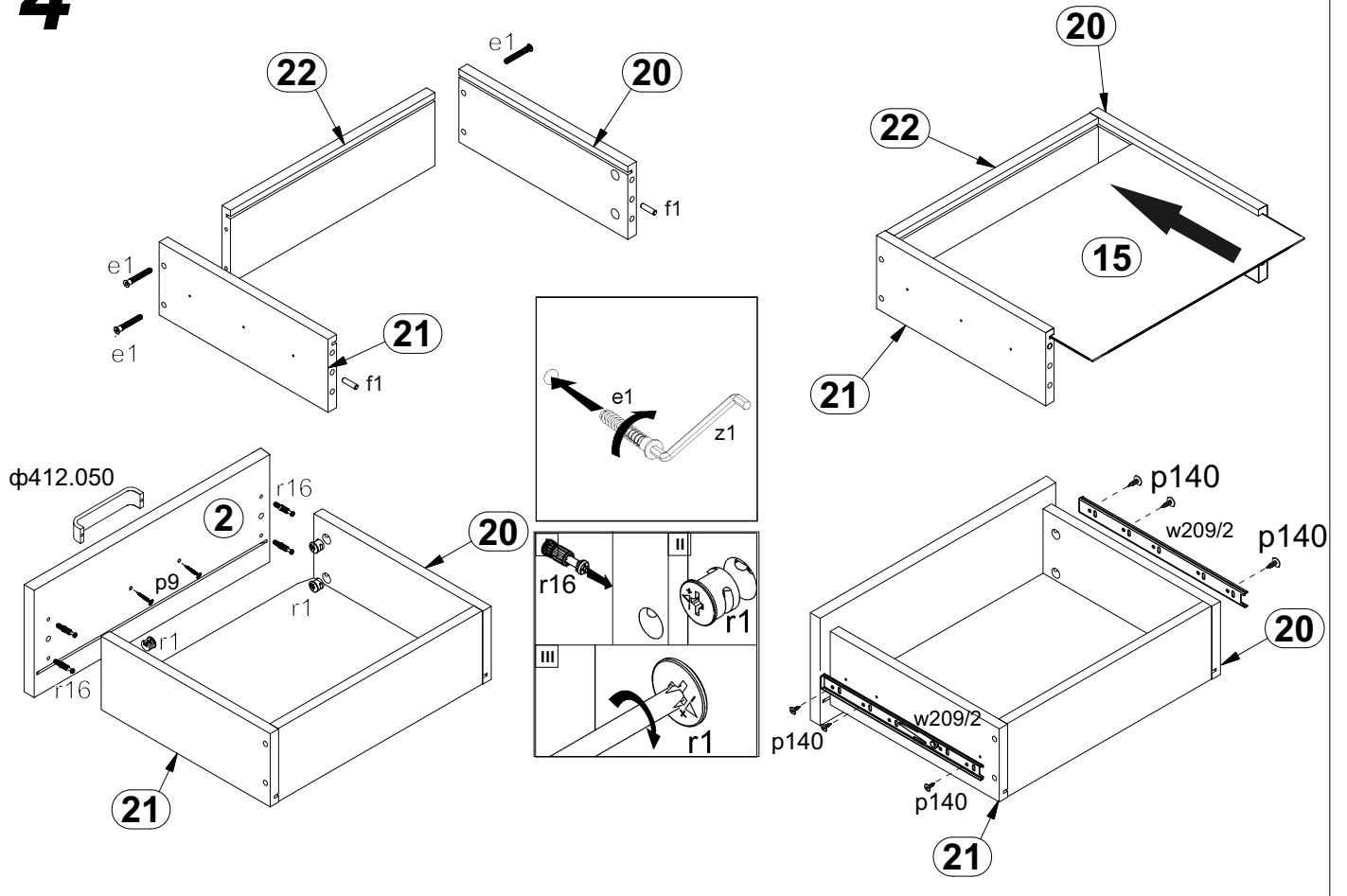
3



3



4



5

