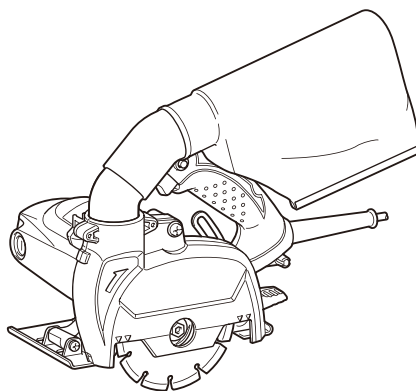


<b>EN</b>	Dustless Cutter	<b>INSTRUCTION MANUAL</b>	<b>4</b>
<b>SV</b>	Diamant-/kapmaskin	<b>BRUKSANVISNING</b>	<b>9</b>
<b>NO</b>	Støvfri kutter	<b>BRUKSANVISNING</b>	<b>14</b>
<b>FI</b>	Pölytön leikkuri	<b>KÄYTTÖOHJE</b>	<b>19</b>
<b>LV</b>	Bezputekļu frēze	<b>LIETOŠANAS INSTRUKCIJA</b>	<b>24</b>
<b>LT</b>	Dulkių nekeliantis pjaustytuvas	<b>NAUDOJIMO INSTRUKCIJA</b>	<b>29</b>
<b>ET</b>	Tolmuvaba lõikur	<b>KASUTUSJUHEND</b>	<b>34</b>
<b>RU</b>	Беспылевая Алмазная Пила	<b>РУКОВОДСТВО ПО ЭКСПЛУАТАЦИИ</b>	<b>39</b>

# 4100KB



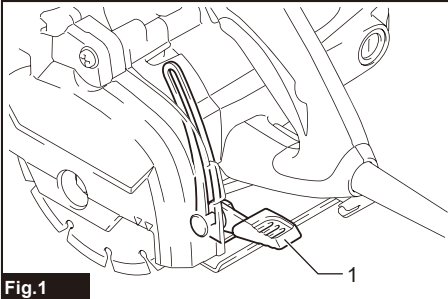


Fig.1

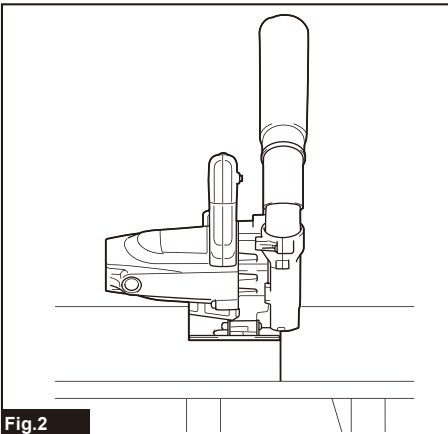


Fig.2

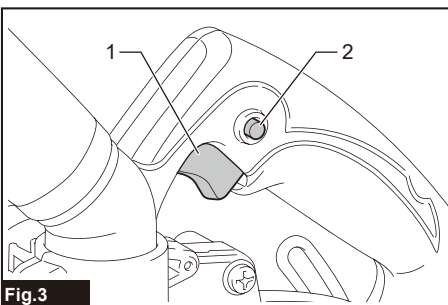


Fig.3

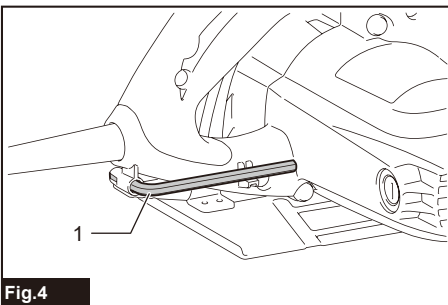


Fig.4

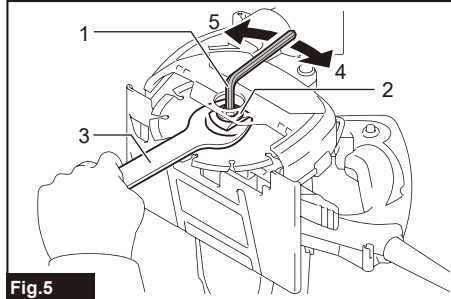


Fig.5

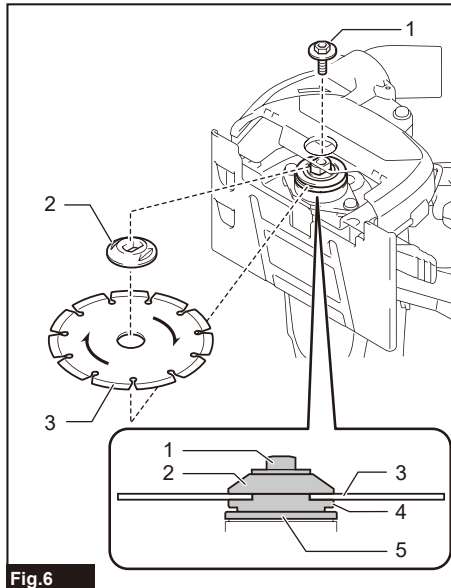


Fig.6

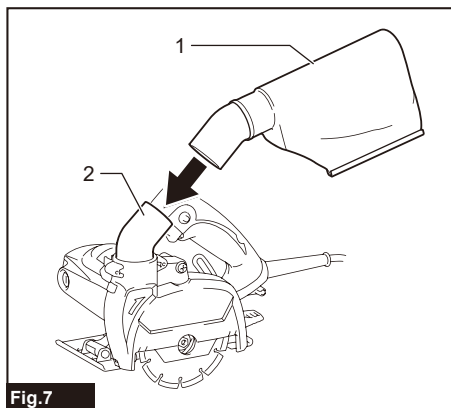


Fig.7

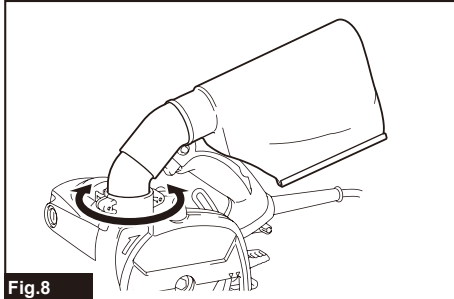


Fig.8

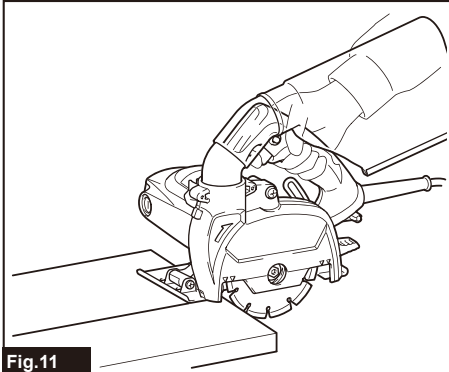


Fig.11

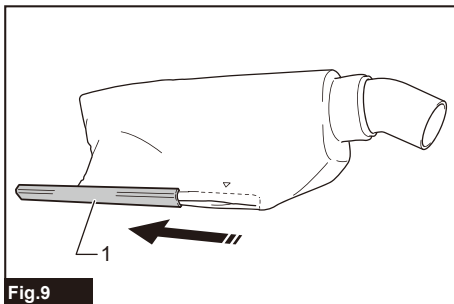


Fig.9

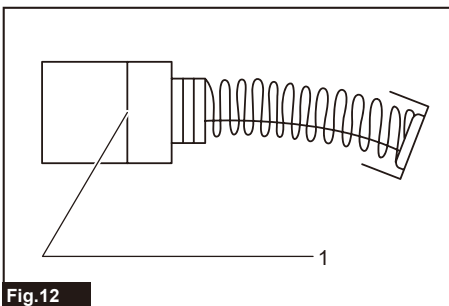


Fig.12

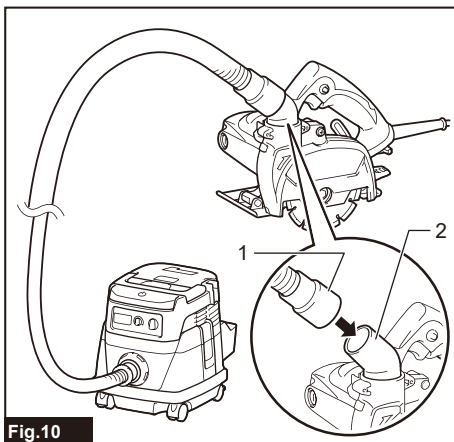


Fig.10

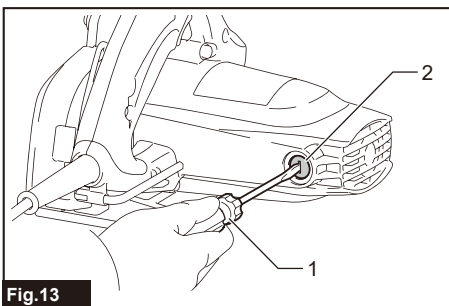


Fig.13

## SPECIFICATIONS

<b>Model:</b>	<b>4100KB</b>
Wheel diameter	125 mm
Max. wheel thickness	2.2 mm
Max. cutting capacities	40 mm
Rated speed (n)	12,200 min <sup>-1</sup>
Overall length	231 mm
Net weight	3.0 kg
Safety class	□/II

- Due to our continuing program of research and development, the specifications herein are subject to change without notice.
- Specifications may differ from country to country.
- Weight according to EPTA-Procedure 01/2014

### Intended use

The tool is intended for cutting in brick and concrete without the use of water.

### Power supply

The tool should be connected only to a power supply of the same voltage as indicated on the nameplate, and can only be operated on single-phase AC supply. They are double-insulated and can, therefore, also be used from sockets without earth wire.

### For public low-voltage distribution systems of between 220 V and 250 V

Switching operations of electric apparatus cause voltage fluctuations. The operation of this device under unfavorable mains conditions can have adverse effects to the operation of other equipment. With a mains impedance equal or less than 0.37 Ohms it can be presumed that there will be no negative effects. The mains socket used for this device must be protected with a fuse or protective circuit breaker having slow tripping characteristics.

### Noise

The typical A-weighted noise level determined according to EN60745:

Sound pressure level ( $L_{pA}$ ) : 96 dB(A)

Sound power level ( $L_{WA}$ ) : 107 dB (A)

Uncertainty (K) : 3 dB(A)

**⚠ WARNING: Wear ear protection.**

### Vibration

The vibration total value (tri-axial vector sum) determined according to EN60745:

Work mode: concrete cutting

Vibration emission ( $a_n$ ) : 6.0 m/s<sup>2</sup>

Uncertainty (K) : 1.5 m/s<sup>2</sup>

**NOTE:** The declared vibration emission value has been measured in accordance with the standard test method and may be used for comparing one tool with another.

**NOTE:** The declared vibration emission value may also be used in a preliminary assessment of exposure.

**⚠ WARNING:** The vibration emission during actual use of the power tool can differ from the declared emission value depending on the ways in which the tool is used.

**⚠ WARNING:** Be sure to identify safety measures to protect the operator that are based on an estimation of exposure in the actual conditions of use (taking account of all parts of the operating cycle such as the times when the tool is switched off and when it is running idle in addition to the trigger time).

### EC Declaration of Conformity

#### For European countries only

The EC declaration of conformity is included as Annex A to this instruction manual.

## SAFETY WARNINGS

### General power tool safety warnings

**⚠ WARNING:** Read all safety warnings, instructions, illustrations and specifications provided with this power tool. Failure to follow all instructions listed below may result in electric shock, fire and/or serious injury.

### Save all warnings and instructions for future reference.

The term "power tool" in the warnings refers to your mains-operated (corded) power tool or battery-operated (cordless) power tool.

## Cutter safety warnings

- The guard provided with the tool must be securely attached to the power tool and positioned for maximum safety, so the least amount of wheel is exposed towards the operator. Position yourself and bystanders away from the plane of the rotating wheel.** The guard helps to protect operator from broken wheel fragments and accidental contact with wheel.
- Use only diamond cut-off wheels for your power tool.** Just because an accessory can be attached to your power tool, it does not assure safe operation.
- The rated speed of the accessory must be at least equal to the maximum speed marked on the power tool.** Accessories running faster than their rated speed can break and fly apart.
- Wheels must be used only for recommended applications. For example: do not grind with the side of cut-off wheel.** Abrasive cut-off wheels are intended for peripheral grinding, side forces applied to these wheels may cause them to shatter.
- Always use undamaged wheel flanges that are of correct diameter for your selected wheel.** Proper wheel flanges support the wheel thus reducing the possibility of wheel breakage.
- The outside diameter and the thickness of your accessory must be within the capacity rating of your power tool.** Incorrectly sized accessories cannot be adequately guarded or controlled.
- The arbour size of wheels and flanges must properly fit the spindle of the power tool.** Wheels and flanges with arbour holes that do not match the mounting hardware of the power tool will run out of balance, vibrate excessively and may cause loss of control.
- Do not use damaged wheels. Before each use, inspect the wheels for chips and cracks. If power tool or wheel is dropped, inspect for damage or install an undamaged wheel. After inspecting and installing the wheel, position yourself and bystanders away from the plane of the rotating wheel and run the power tool at maximum no load speed for one minute.** Damaged wheels will normally break apart during this test time.
- Wear personal protective equipment. Depending on application, use face shield, safety goggles or safety glasses. As appropriate, wear dust mask, hearing protectors, gloves and shop apron capable of stopping small abrasive or workpiece fragments.** The eye protection must be capable of stopping flying debris generated by various operations. The dust mask or respirator must be capable of filtering particles generated by your operation. Prolonged exposure to high intensity noise may cause hearing loss.
- Keep bystanders a safe distance away from work area. Anyone entering the work area must wear personal protective equipment.** Fragments of workpiece or of a broken wheel may fly away and cause injury beyond immediate area of operation.
- Hold the power tool with insulated gripping surfaces only, when performing an operation where the cutting accessory may contact hidden wiring or its own cord.** Cutting accessory contacting a "live" wire may make exposed metal parts of the power tool "live" and could give the operator an electric shock.
- Position the cord clear of the spinning accessory.** If you lose control, the cord may be cut or snagged and your hand or arm may be pulled into the spinning wheel.
- Never lay the power tool down until the accessory has come to a complete stop.** The spinning wheel may grab the surface and pull the power tool out of your control.
- Do not run the power tool while carrying it at your side.** Accidental contact with the spinning accessory could snag your clothing, pulling the accessory into your body.
- Regularly clean the power tool's air vents.** The motor's fan will draw the dust inside the housing and excessive accumulation of powdered metal may cause electrical hazards.
- Do not operate the power tool near flammable materials.** Sparks could ignite these materials.
- Do not use accessories that require liquid coolants.** Using water or other liquid coolants may result in electrocution or shock.

### Kickback and related warnings

Kickback is a sudden reaction to a pinched or snagged rotating wheel. Pinching or snagging causes rapid stalling of the rotating wheel which in turn causes the uncontrolled power tool to be forced in the direction opposite of the wheel's rotation at the point of the binding.

For example, if an abrasive wheel is snagged or pinched by the workpiece, the edge of the wheel that is entering into the pinch point can dig into the surface of the material causing the wheel to climb out or kick out. The wheel may either jump toward or away from the operator, depending on direction of the wheel's movement at the point of pinching. Abrasive wheels may also break under these conditions.

Kickback is the result of power tool misuse and/or incorrect operating procedures or conditions and can be avoided by taking proper precautions as given below.

- Maintain a firm grip on the power tool and position your body and arm to allow you to resist kickback forces. Always use auxiliary handle, if provided, for maximum control over kickback or torque reaction during start-up.** The operator can control torque reactions or kickback forces, if proper precautions are taken.
- Never place your hand near the rotating accessory.** Accessory may kickback over your hand.
- Do not position your body in line with the rotating wheel.** Kickback will propel the tool in direction opposite to the wheel's movement at the point of snagging.
- Use special care when working corners, sharp edges etc. Avoid bouncing and snagging the accessory.** Corners, sharp edges or bouncing have a tendency to snag the rotating accessory and cause loss of control or kickback.

5. Do not attach a saw chain, woodcarving blade, segmented diamond wheel with a peripheral gap greater than 10 mm or toothed saw blade. Such blades create frequent kickback and loss of control.
6. Do not "jam" the wheel or apply excessive pressure. Do not attempt to make an excessive depth of cut. Overstressing the wheel increases the loading and susceptibility to twisting or binding of the wheel in the cut and the possibility of kickback or wheel breakage.
7. When wheel is binding or when interrupting a cut for any reason, switch off the power tool and hold the power tool motionless until the wheel comes to a complete stop. Never attempt to remove the wheel from the cut while the wheel is in motion otherwise kickback may occur. Investigate and take corrective action to eliminate the cause of wheel binding.
8. Do not restart the cutting operation in the workpiece. Let the wheel reach full speed and carefully re-enter the cut. The wheel may bind, walk up or kickback if the power tool is restarted in the workpiece.
9. Support panels or any oversized workpiece to minimize the risk of wheel pinching and kickback. Large workpieces tend to sag under their own weight. Supports must be placed under the workpiece near the line of cut and near the edge of the workpiece on both sides of the wheel.
10. Use extra caution when making a "pocket cut" into existing walls or other blind areas. The protruding wheel may cut gas or water pipes, electrical wiring or objects that can cause kickback.
11. Before using a segmented diamond wheel, make sure that the diamond wheel has the peripheral gap between segments of 10 mm or less, only with a negative rake angle.

#### Additional Safety Warnings:

1. Never attempt to cut with the tool held upside down in a vise. This can lead to serious accidents, because it is extremely dangerous.
2. Some material contains chemicals which may be toxic. Take caution to prevent dust inhalation and skin contact. Follow material supplier safety data.
3. Store wheels as per manufacturer recommendations. Improper storage may damage the wheels.

## SAVE THESE INSTRUCTIONS.

**⚠ WARNING:** DO NOT let comfort or familiarity with product (gained from repeated use) replace strict adherence to safety rules for the subject product. MISUSE or failure to follow the safety rules stated in this instruction manual may cause serious personal injury.

## FUNCTIONAL DESCRIPTION

**⚠ CAUTION:** Always be sure that the tool is switched off and unplugged before adjusting or checking function on the tool.

### Adjusting depth of cut

**⚠ CAUTION:** After adjusting the depth of cut, always tighten the lever securely.

Loosen the lever on the depth guide and move the base up or down. At the desired depth of cut, secure the base by tightening the lever.

For cleaner, safer cuts, set cut depth so that the diamond wheel projects 2 mm or less below workpiece. Using proper cut depth helps to reduce potential for dangerous KICKBACKS which can cause personal injury.

► Fig.1: 1. Lever

### Sighting

Align the edge of the front of the base with your cutting line on the workpiece.

► Fig.2

### Switch action

**⚠ CAUTION:** Before plugging in the tool, always check to see that the switch trigger actuates properly and returns to the "OFF" position when released.

► Fig.3: 1. Switch trigger 2. Lock button / Lock-off button

### For tool with lock button

**⚠ CAUTION:** Switch can be locked in "ON" position for ease of operator comfort during extended use. Apply caution when locking tool in "ON" position and maintain firm grasp on tool.

To start the tool, simply pull the switch trigger. Release the switch trigger to stop. For continuous operation, pull the switch trigger, push in the lock button and then release the switch trigger. To stop the tool from the locked position, pull the trigger fully, then release it.

### For tool with lock-off button

To prevent the switch trigger from being accidentally pulled, a lock-off button is provided. To start the tool, press the lock-off button and pull the switch trigger. Release the switch trigger to stop.

**⚠️WARNING:** NEVER use the tool if it runs when you simply pull the switch trigger without pressing the lock-off button. A switch in need of repair may result in unintentional operation and serious personal injury. Return tool to a Makita service center for proper repairs BEFORE further usage.

**⚠️WARNING:** NEVER defeat the lock-off button by taping down or some other means. A switch with a negated lock-off button may result in unintentional operation and serious personal injury.

**⚠️CAUTION:** Do not pull the switch trigger hard without pressing in the lock-off button. This can cause switch breakage.

## ASSEMBLY

**⚠️CAUTION:** Always be sure that the tool is switched off and unplugged before carrying out any work on the tool.

### Hex wrench storage

When not in use, store the hex wrench as shown in the figure to keep it from being lost.

► Fig.4: 1. Hex wrench

### Removing or installing diamond wheel

**⚠️CAUTION:** BE SURE TO TIGHTEN THE HEX BOLT SECURELY. Also be careful not to tighten the bolt forcibly. Slipping your hand from the hex wrench can cause a personal injury.

**⚠️CAUTION:** Use only the Makita wrench and hex wrench to install or remove the wheel.

Hold the outer flange with the wrench and loosen the hex bolt with the hex wrench. Then remove the hex bolt, outer flange and diamond wheel.

► Fig.5: 1. Hex wrench 2. Hex bolt 3. Wrench 22  
4. Loosen 5. Tighten

To install the diamond wheel, follow the removal procedure in reverse. Always install the wheel so that the arrow on the diamond wheel points in the same direction as the arrow on the gear housing.

► Fig.6: 1. Hex bolt 2. Outer flange 3. Diamond wheel  
4. Inner flange 5. Cup washer

### Dust bag

The use of the dust bag makes cutting operations clean and dust collection easy. To attach the dust bag, fit it onto the dust spout.

► Fig.7: 1. Dust bag 2. Dust spout

The neck of the dust spout rotates freely. Position the dust bag so that you can operate the tool comfortably.

► Fig.8

When the dust bag is about one-third full, remove the dust bag from the tool and pull the fastener out. Empty the dust bag of its contents, tapping it lightly so as to remove particles adhering to the insides which might hamper collection.

► Fig.9: 1. Fastener

## Connecting the vacuum cleaner

When you wish to perform clean cutting operation, connect a Makita vacuum cleaner to your tool.

► Fig.10: 1. Hose of the vacuum cleaner 2. Dust spout

## OPERATION

**⚠️CAUTION:** THIS TOOL SHOULD ONLY BE USED ON HORIZONTAL SURFACES.

**⚠️CAUTION:** Be sure to move the tool forward in a straight line and gently. Forcing and exerting excessive pressure or allowing the wheel to bend, pinch or twist in the cut can cause overheating of the motor and dangerous kickback of the tool.

Hold the tool firmly. Set the base plate on the workpiece to be cut without the diamond wheel making any contact. Then turn the tool on and wait until the diamond wheel attains full speed. Now simply move the tool forward over the workpiece surface, keeping it flat and advancing smoothly until the cutting is completed. Keep your cutting line straight and your speed of advance uniform.

► Fig.11

## MAINTENANCE

**⚠️CAUTION:** Always be sure that the tool is switched off and unplugged before attempting to perform inspection or maintenance.

**NOTICE:** Never use gasoline, benzine, thinner, alcohol or the like. Discoloration, deformation or cracks may result.

### Dressing diamond wheel

If the cutting action of the diamond wheel begins to diminish, use an old discarded coarse grit bench grinder wheel or concrete block to dress the diamond wheel. To do this, tightly secure the bench grinder wheel or concrete block and cut in it.

### After use

Clean the dust inside of the tool by running the tool at an idle for a while. Brush off accumulation of dust on the base. Accumulation of dust in the motor or on the base may cause a malfunction of the tool.

## Replacing carbon brushes

Check the carbon brushes regularly.  
Replace them when they wear down to the limit mark.  
Keep the carbon brushes clean and free to slip in the holders. Both carbon brushes should be replaced at the same time. Use only identical carbon brushes.

► **Fig.12:** 1. Limit mark

Use a screwdriver to remove the brush holder caps.  
Take out the worn carbon brushes, insert the new ones and secure the brush holder caps.

► **Fig.13:** 1. Screwdriver 2. Brush holder cap

To maintain product SAFETY and RELIABILITY, repairs, any other maintenance or adjustment should be performed by Makita Authorized or Factory Service Centers, always using Makita replacement parts.

## OPTIONAL ACCESSORIES

**⚠ CAUTION:** These accessories or attachments are recommended for use with your Makita tool specified in this manual. The use of any other accessories or attachments might present a risk of injury to persons. Only use accessory or attachment for its stated purpose.

If you need any assistance for more details regarding these accessories, ask your local Makita Service Center.

- Diamond wheels (Dry type)
- Wrench 22
- Hex wrench
- Guide rail
- Guide rail adapter
- Safety goggles

**NOTE:** Some items in the list may be included in the tool package as standard accessories. They may differ from country to country.



## SPECIFIKATIONER

<b>Modell:</b>	<b>4100KB</b>
Kapskivans diameter	125 mm
Max. skivtjocklek	2,2 mm
Max. kapningskapacitet	40 mm
Nominellt varvtal (n)	12 200 min <sup>-1</sup>
Total längd	231 mm
Nettovikt	3,0 kg
Säkerhetsklass	□/II

- På grund av vårt pågående program för forskning och utveckling kan dessa specifikationer ändras utan föregående meddelande.
- Specifikationer kan variera mellan olika länder.
- Vikt enligt EPTA-procedur 01/2014

### Avsedd användning

Verktyget är avsett för skärning i tegelsten och betong utan användning av kylvatten.

### Strömförsörjning

Maskinen får endast anslutas till elnät med samma spänning som anges på typplåten och med enfasig växelström. De är dubbelisolerade och får därför också anslutas i ojordade vägguttag.

### Avsedd för elnät med 220-250 V

Att starta och stänga av elektriska apparater medför spänningsvariationer. Om denna maskin används under ogynnsamma nätspänningsförhållanden kan funktioner hos annan utrustning påverkas negativt. I elnät med ett motstånd på högst 0,37 Ohm är det rimligt att anta att negativa effekter inte förekommer. Nätuttaget för den här enheten måste vara försett med trög säkring eller skyddsavbrytare.

### Buller

Den normala bullernivån för A-belastning är bestämd enligt EN60745:

Ljudtrycksnivå ( $L_{pA}$ ): 96 dB (A)  
Ljudeffektnivå ( $L_{WA}$ ): 107 dB (A)  
Mättolerans (K): 3 dB (A)

**⚠ VARNING:** Använd hörselskydd.

### Vibration

Det totala vibrationsvärdet (treaxlad vektorsumma) bestämt enligt EN60745:

Arbetsläge: betongskärning  
Vibrationsemission ( $a_{h1}$ ): 6,0 m/s<sup>2</sup>  
Mättolerans (K): 1,5 m/s<sup>2</sup>

**OBS:** Det deklarerade vibrationsemissionsvärdet har uppmätts i enlighet med standardtestmetoden och kan användas för att jämföra en maskin med en annan.

**OBS:** Det deklarerade vibrationsemissionsvärdet kan också användas i en preliminär bedömning av exponering för vibration.

**⚠ VARNING:** Vibrationsemissionen under faktisk användning av maskinen kan skilja sig från det deklarerade emissionsvärdet, beroende på hur maskinen används.

**⚠ VARNING:** Var noga med att identifiera säkerhetsåtgärder för att skydda användaren, vilka är grundade på en uppskattning av graden av exponering för vibrationer under de faktiska användningsförhållandena, (ta, förutom avtryckartiden, med alla delar av användarcykeln i beräkningen, som till exempel tiden då maskinen är avstängd och när den går på tomgång).

### EG-försäkran om överensstämmelse

*Gäller endast inom EU*

EG-försäkran om överensstämmelse inkluderas som bilaga A till denna bruksanvisning.

## SÄKERHETSVARNINGAR

### Allmänna säkerhetsvarningar för maskiner

**⚠ VARNING:** Läs alla säkerhetsvarningar, anvisningar, illustrationer och specifikationer som medföljer det här maskinen. Underlåtenhet att följa instruktionerna kan leda till elstöt, brand och/eller allvarliga personskador.

# Spara alla varningar och instruktioner för framtida referens.

Termen "maskin" som anges i varningarna hänvisar till din eldrivna maskin (sladdansluten) eller batteridrivna maskin (sladdlös).

## Säkerhetsvarningar för kapmaskin

- Sprängskyddet som medföljer verktyget måste vara ordentligt fäst vid verktyget och placerat för maximal säkerhet, så att minsta möjliga yta av kapskivan är öppen mot användaren. Se till att du själv och kringstående personer är ur vägen för den roterande kapskivan.** Sprängskyddet skyddar användaren mot trasiga skivfragment och oavsiktlig kontakt med kapskivan.
- Verktyget får endast användas med diamantskivor.** Även om ett tillbehör kan fästas på verktyget garanterar detta inte säker användning.
- Tillbehörets nominella varvtal måste vara minst lika med det maximala varvtalet som anges på verktyget.** Tillbehör som används över det nominella varvtalet kan gå sönder och orsaka skador.
- Kapskivorna får endast användas till rekommenderade arbetsuppgifter. Till exempel: Slipa inte med kapskivans utsida.** Slipande kapskivor är avsedda för periferislipning. Sidokrafter kan spränga sådana skivor.
- Använd alltid oskadade skivflansar i rätt diameter till din kapskiva.** Rätt skivflansar stöder kapskivan och minskar därigenom risken för att skivan går sönder.
- Tillbehörets ytterdiameter och tjocklek måste vara anpassad till elverktygets kapacitetsklassning.** Tillbehör i olämplig storlek kan inte skyddas eller styras tillräckligt väl.
- Styrhålet på skivor och flansar måste exakt passa elverktygets spindelstorlek.** Skivor och flansar med styrhål som inte passar monteringen på elverktyget orsakar obalans, överdriven vibration och eventuellt att användaren förlorar kontrollen över verktyget.
- Använd inte skadade skivor. Kontrollera skivorna avseende flisor och sprickor innan varje användning. Om du tappar verktyget eller kapskivan ska du kontrollera att det inte har uppstått några skador, eller montera en oskadad skiva. Efter inspektion och montering av kapskivan ska du placera dig själv och eventuella kringstående personer ur vägen för den roterande skivan och köra verktyget på full hastighet utan last i en minut.** Skadade kapskivor går normalt sett sönder under den här testperioden.
- Använd personlig skyddsutrustning. Använd visir, korgglasögon eller skyddsglasögon beroende på arbetsuppgift. Om så är lämpligt använder du dammsk, hörselskydd, handskar och verkstadsförkläde som kan skydda mot avskrap eller små fragment från arbetsstycket.** Ögonskyddet måste kunna stoppa flygande fragment som uppstår vid olika arbeten. Dammskyddet eller andningsskyddet måste kunna filtrera partiklar som uppstår vid olika arbetsuppgifter. Långvarig exponering för kraftigt buller kan orsaka hörselskador.

- Håll personer i omgivning på säkert avstånd från arbetsområdet. Alla som befinner sig i arbetsområdet måste använda skyddsutrustning.** Fragment från arbetsstycket eller från en trasig kapskiva kan flyga iväg och orsaka skada bortom det omedelbara arbetsområdet.
- Håll endast verktyget i de isolerade handtagen när du utför arbete där verktyget kan komma i kontakt med en doid elkabel eller med verktygets kabel.** Om skärverktyget kommer i kontakt med en strömförande ledning blir verktygets blottlagda metalldelar strömförande och kan ge användaren en elektrisk stöt.
- Placera nätsladden på avstånd från det roterande tillbehöret.** Om du förlorar kontrollen kan kabeln kapas eller fastna och din hand eller arm riskerar att dras in i den roterande kapskivan.
- Lägg aldrig elverktyget åt sidan förrän det har stannat helt.** Den roterande kapskivan kan gripa tag i ytan och du kan förlora kontrollen över verktyget.
- Kör inte verktyget samtidigt som du bär det med dig.** Oavsiktlig kontakt med det roterande tillbehöret kan leda till att det fastnar i dina kläder och dras in mot kroppen.
- Rengör regelbundet verktygets ventilationsöppningar.** Motorns fläkt suger in damm i höljet och överdriven ansamling av pulveriserad metall kan orsaka elektrisk fara.
- Använd inte verktyget i närheten av lättantändligt material.** Annars finns risken att gnistor antänder materialet.
- Använd inte tillbehör som kräver flytande kylmedel.** Att använda vatten eller andra flytande kylmedel kan orsaka dödsfall eller elektriska stötar.

### Varningar för bakåtkast och liknande

Bakåtkast inträffar som en plötslig reaktion på en fastklämd eller fasthakad roterande kapskiva. Fastklämdning eller fasthakning orsakar snabbstopp av den roterande kapskivan, vilket i sin tur tvingar verktyget i motsatt riktning mot skivans rörelse vid kärvningspunkten. Om till exempel en slipskiva fastnar i eller kläms fast av arbetsstycket kan skivans kapande kant gräva sig in i materialytan vid klämpunkten, vilket leder till att skivan klättrar eller kastas tillbaka. Skivan kan antingen hoppa mot eller från användaren, beroende på skivans rörelseriktning vid klämpunkten. Slipskivorna kan även gå sönder under dessa omständigheter. Bakåtkast beror på ovarsamhet och/eller felaktiga arbetsrutiner, och kan undvikas genom att vidta nedanstående förebyggande åtgärder.

- Se till att hålla verktyget i ett fast grepp och placera kroppen och din arm på ett sätt som gör att du kan stå emot kraften från bakåtkast. Använd alltid ett extrahandtag, om sådant finns, för maximal kontroll vid bakåtkast eller vridrörelsen vid start.** Användaren kan kontrollera vridrörelsen eller krafterna vid bakåtkast om rätt försiktighetsåtgärder vidtas.
- Placera aldrig din hand nära det roterande tillbehöret.** Tillbehöret kan kastas bakåt över din hand.
- Placera inte din kropp i linje med den roterande kapskivan.** Bakåtkast driver verktyget i motsatt riktning till kapskivans rörelse vid kärvningspunkten.

4. **Var extra försiktig** när du bearbetar hörn, vassa kanter osv. Undvik att studsas och stöta tillbehöret. Hörn, skarpa kanter eller studsning har en tendens att klämma det roterande tillbehöret och orsaka förlorad kontroll eller bakåtkast.
5. **Montera inte en sågkedja, ett snidarblad eller en segmenterad diamantskiva med en segmenthöjd på över 10 mm. Montera inte heller ett tandat sågblad.** Sådana blad orsakar ofta bakåtkast och förlorad kontroll.
6. **"Pressa" inte kapskivan eller utsätt den för överdrivet tryck. Försök inte att göra ett alltför stort kapdjup.** Om kapskivan överbelastas ökar belastningen och risken för att skivan vrids eller fastnar i kapet samt risken för bakåtkast eller att skivan går sönder.
7. **Om kapskivan kärvar eller om ett kap avbryts stänger du av elverket och håller det stilla tills skivan har stannat helt. Försök aldrig att ta bort kapskivan från kapet medan skivan rör sig, då detta kan orsaka bakåtkast.** Undersök och vidta korrigeringsåtgärder för att eliminera orsaken till att kapskivan fastnar.
8. **Starta inte om kapningen med verktyget kvar i arbetsstycket. Låt kapskivan uppnå full hastighet och för den varsamt in i spåret.** Kapskivan kan fastna, vandra uppåt eller kastas bakåt om elverket startas om i arbetsstycket.
9. **Stötta långa eller stora arbetsstycken för att minimera risken för att kapskivan fastnar och kastas bakåt.** Stora arbetsstycken tenderar att svikta på grund av sin egen vikt. Stöd måste placeras under arbetsstycket nära såglinjen och nära arbetsstyckets kanter på båda sidorna om kapskivan.
10. **Var extra försiktig vid genomstickssågning i en befintlig vägg eller andra dolda utrymmen.** Den utskjutande kapskivan kan kapa gas- eller vattenledningar, elledningar eller föremål som kan orsaka bakåtkast.
11. **Innan du använder en segmenterad diamantskiva ska du se till att diamantskivan har en segmenthöjd på högst 10 mm, endast med negativ spånvinkel.**

#### Ytterligare säkerhetsvarningar:

1. **Såga aldrig med verktyget upp och ner i ett skruvståd.** Detta är ytterst farligt och kan leda till allvarliga olyckor.
2. **Vissa material kan innehålla giftiga kemikalier. Se till att du inte andas in dammet eller får något på huden. Följ anvisningarna i leverantörens materialsäkerhetsblad.**
3. **Förvara skivorna enligt tillverkarens rekommendationer.** Felaktig förvaring kan skada skivorna.

## SPARA DESSA ANVISNINGAR.

**⚠️ VARNING:** GLÖM INTE att också fortsättningsvis strikt följa säkerhetsanvisningarna för maskinen även efter att du blivit van att använda den. Vid FELAKTIG HANTERING av maskinen eller om inte säkerhetsanvisningarna i denna bruksanvisning följs kan följden bli allvarliga personskador.

# FUNKTIONSBERSKRIVNING

**⚠️ FÖRSIKTIGT:** Se alltid till att maskinen är avstängd och nätsladden urdragen innan du justerar eller funktionskontrollerar maskinen.

## Justera sågdjupet

**⚠️ FÖRSIKTIGT:** Dra alltid åt spaken ordentligt efter att sågdjupet justerats.

Lossa spaken på djupanslaget och flytta bottenplattan uppåt eller nedåt. Läs bottenplattan med spaken när du har ställt in önskat sågdjup.

Bästa och säkraste sågresultat erhålls om sågdjupet ställs in diamantskivan är max 2 mm under arbetsstyckets undersida. Rätt inställning av sågdjup bidrar till att minska risken för farliga BAKÅTKAST, som kan orsaka allvarliga personskador.

► **Fig.1:** 1. Spår

## Inriktning

Rikta in kanten framtill på bottenplattan i linje med din såglinje på arbetsstycket.

► **Fig.2**

## Avtryckarens funktion

**⚠️ FÖRSIKTIGT:** Innan du ansluter maskinen till elnätet ska du kontrollera att avtryckaren fungerar och återgår till läget "OFF" när du släpper den.

► **Fig.3:** 1. Avtryckare 2. Låsknapp/säkerhetsknapp

## För verktyg med låsknapp

**⚠️ FÖRSIKTIGT:** Knappen kan låsas i läge "ON" för att underlätta användning när maskinen används under längre tid. Var försiktig när du låser maskinen i läge "ON", och fortsätt håll ett stadigt grepp i maskinen.

Tryck in avtryckaren för att starta verktyget. Släpp avtryckaren för att stoppa verktyget. För kontinuerlig användning trycker du in avtryckaren, skjuter in låsknappen och släpper därefter avtryckaren. Tryck in avtryckaren helt och släpp sedan upp den för att avbryta det låsta läget.

## För verktyg med säkerhetsknapp

En säkerhetsknapp förhindrar oavsiktlig aktivering av avtryckaren. Tryck in säkerhetsknappen och tryck sedan in avtryckaren för att starta verktyget. Släpp avtryckaren för att stoppa verktyget.

**⚠️ VARNING:** Använd ALDRIG verktyget om det startar när du trycker in avtryckaren utan att ha tryckt in säkerhetsknappen. I annat fall kan det orsaka oavsiktlig aktivering och allvarlig personskada. Returnera verktyget till ett Makita-servicecenter för reparation INNAN du fortsätter att använda det.

**⚠️ VARNING:** Sätt ALDRIG säkerhetsknappens funktion ur spel genom att t.ex. tejpa fast den. I annat fall kan följden bli oavsiktlig aktivering och allvarlig personskada.

**⚠ FÖRSIKTIGT:** Tryck inte in avtryckaren hårt utan att ha tryckt in säkerhetsknappen. I annat fall kan avtryckaren skadas.

## MONTERING

**⚠ FÖRSIKTIGT:** Se alltid till att maskinen är avstängd och nätsladden urdragen innan maskinen repareras.

### Förvaring av insexnyckel

Förvara insexnyckeln enligt figuren när den inte används, så att du alltid har den till hands.

► **Fig.4:** 1. Insexnyckel

### Demontera/montera diamantskiva

**⚠ FÖRSIKTIGT:** SE TILL ATT SEXKANTSBULTEN DRAS ÅT ORDENTLIGT. Var också noga med att inte dra åt bulten med våld. Om insexnyckeln glider ur handen kan den orsaka personskada.

**⚠ FÖRSIKTIGT:** Använd endast medföljande insexnyckel från Makita för att montera eller ta bort kapskivan.

Håll fast den yttre flänsen med nyckeln och lossa bulten med sexkantsnyckeln. Därefter tar du bort sexkantsbulten, den yttre flänsen och diamantskivan.

► **Fig.5:** 1. Insexnyckel 2. Sexkantsbult 3. Nyckel 22 4. Lossa 5. Dra åt

Följ demonteringsproceduren i omvänd ordning för att montera diamantskivan. Montera alltid kapskivan så att pilen på diamantskivan pekar i samma riktning som pilen på växelhuset.

► **Fig.6:** 1. Sexkantsbult 2. Yttre fläns 3. Diamantskiva 4. Inre fläns 5. Koppbricka

### Damppåse

Användning av en damppåse ger ett rent sågarbete och förenklar uppsamlingen av damm. Anslut damppåsen på röret för dammutsläpp.

► **Fig.7:** 1. Damppåse 2. Dammutkast

Dammutkastets hals roterar fritt. Placera damppåsen så att du kan använda maskinen utan problem.

► **Fig.8**

När damppåsen är fylld till cirka en tredjedel tar du bort den från maskinen och öppnar plastlåset. Töm damppåsen på dess innehåll och skaka den lätt för att få bort partiklar som fastnat på insidan vilka kan hindra fortsatt uppsamling.

► **Fig.9:** 1. Plastlås

### Ansluta en dammsugare

Anslut en dammsugare från Makita när du vill ha rent under sågningen.

► **Fig.10:** 1. Slang på dammsugare 2. Dammutkast

## ANVÄNDNING

**⚠ FÖRSIKTIGT:** DETTA VERKTYG BÖR ENDAST ANVÄNDAS PÅ VÄGRÄTA YTOR.

**⚠ FÖRSIKTIGT:** Se till att verktyget förs varsamt framåt längs en rät linje. Våld eller överdrivet tryck, eller en kapskiva som böjs, nyper fast eller vrids i kapet kan orsaka överhettning av motorn och farliga bakåtkast.

Håll verktyget i ett fast grepp. Ställ ned sågbordet på arbetsstycket utan att diamantskivan kommer i kontakt med arbetsstycket. Starta sedan maskinen och vänta tills diamantklingorna når full hastighet. För sedan maskinen framåt över arbetsstyckets yta. Håll maskinen plant och för den mjukt framåt tills kapningen är klar. Håll en rak såglinje och en jämn hastighet framåt.

► **Fig.11**

## UNDERHÅLL

**⚠ FÖRSIKTIGT:** Se alltid till att maskinen är avstängd och nätkabeln urdragen innan inspektion eller underhåll utförs.

**OBSERVERA:** Använd inte bensin, förtunningsmedel, alkohol eller liknande. Missfärgning, deformation eller sprickor kan uppstå.

### Slipning av diamantskiva

Om diamantskivan börjar bli slö kan du använda en gammal förbrukad bänkslippskiva med stor korngrovlek eller ett betongblock för att slipa diamantskivan. För att göra detta fäster du slipskivan eller betongblocket och säger i det.

### Efter användning

Avlägsna damm från verktygets insida genom att köra verktyget utan belastning en stund. Borsta bort ansamlingar av damm på bottenplattan. Ansamling av damm i motorn eller på bottenplattan kan leda till att maskinen inte fungerar som den ska.

### Byte av kolborstar

Kontrollera kolborstarna regelbundet. Byt ut dem när de är nedslitna till slitagemarkeringen. Håll kolborstarna rena så att de lätt kan glida in i hållarna. Båda kolborstarna ska bytas ut samtidigt. Använd endast identiska kolborstar.

► **Fig.12:** 1. Gränsmarkering

Använd en skruvmejsel för att ta bort locken till kolborstarna. Ta ur de utslitna kolborstarna, montera de nya och sätt tillbaka locken.

► **Fig.13:** 1. Skruvmejsel 2. Lock till kolborstar

För att upprätthålla produktens SÄKERHET och TILLFÖRLITLIGHET bör allt underhålls- och justeringsarbete utföras av ett auktoriserat Makita servicecenter och med reservdelar från Makita.

## VALFRIA TILLBEHÖR

**⚠ FÖRSIKTIGT:** Följande tillbehör eller tillsatser rekommenderas för användning med den Makita-maskin som denna bruksanvisning avser. Om andra tillbehör eller tillsatser används kan det uppstå risk för personskador. Använd endast tillbehören eller tillsatserna för de syften de är avsedda för.

Kontakta ditt lokala Makita servicecenter om du behöver ytterligare information om dessa tillbehör.

- Diamantskivor (torr modell)
- Nyckel 22
- Insexnyckel
- Styrskena
- Adapter för styrskena
- Skyddsglasögon

**OBS:** Några av tillbehören i listan kan vara inkluderade i maskinpaketet som standardtillbehör. De kan variera mellan olika länder.

## TEKNISKE DATA

Modell:	4100KB
Skivediameter	125 mm
Maks. skivetykkelse	2,2 mm
Maks. skjærekapasitet	40 mm
Angitt hastighet (n)	12 200 min <sup>-1</sup>
Total lengde	231 mm
Nettvekt	3,0 kg
Sikkerhetsklasse	□/II

- På grunn av vårt kontinuerlige forsknings- og utviklingsprogram kan spesifikasjonene som oppgis i dette dokumentet endres uten varsel.
- Spesifikasjonene kan variere fra land til land.
- Vekt i henhold til EPTA-prosedyre 01/2014

### Riktig bruk

Denne maskinen er laget for å skjære i murstein og betong uten bruk av vann.

### Strømforsyning

Maskinen må bare kobles til en strømkilde med samme spenning som vist på typeskiltet, og kan bare brukes med enfase-vekselstrømforsyning. Den er dobbelt verneisoleret og kan derfor også brukes fra kontakter uten jording.

### For offentlige lavspenningsnett på mellom 220 V og 250 V

Inn- og utkobling av elektriske apparater forårsaker spenningsvariasjoner. Bruken av dette apparatet under uheldige forhold i strømmettet kan ha negative virkninger på bruken av annet utstyr. Når strømmettimpedansen er lik eller lavere enn 0,37 ohm, er det grunn til å anta at ingen negative virkninger vil oppstå. Nettuttaket som brukes til dette apparatet må være beskyttet av en treg sikring eller et tregt overlastvern.

### Støy

Typisk A-vektet lydtryknivå er bestemt i henhold til EN60745:

Lydtryknivå ( $L_{pA}$ ): 96 dB (A)  
 Lydeffektnivå ( $L_{WA}$ ): 107 dB (A)  
 Usikkerhet (K): 3 dB (A)

**⚠ ADVARSEL:** Bruk hørselsvern.

### Vibrasjoner

Den totale vibrasjonsverdien (triaksial vektorsum) bestemt i henhold EN60745:  
 Arbeidsmodus: Kapping av betong  
 Genererte vibrasjoner ( $a_n$ ): 6,0 m/s<sup>2</sup>  
 Usikkerhet (K): 1,5 m/s<sup>2</sup>

**MERK:** Den angitte verdien for de genererte vibrasjonene er målt i samsvar med standardtestmetoden og kan brukes til å sammenlikne et verktøy med et annet.

**MERK:** Den angitte verdien for de genererte vibrasjonene kan også brukes til en foreløpig vurdering av eksponeringen.

**⚠ ADVARSEL:** De genererte vibrasjonene ved faktisk bruk av elektroverktøyet kan avvike fra den angitte vibrasjonsverdien, avhengig av hvordan verktøyet brukes.

**⚠ ADVARSEL:** Sørg for å identifisere vernetiltak for å beskytte operatøren, som er basert på et estimat av eksponeringen under de faktiske bruksforholdene (idet det tas hensyn til alle deler av driftssyklusen, dvs. hvor lenge verktøyet er slått av, hvor lenge det går på tomgang og hvor lenge startbryteren faktisk holdes trykket).

### EFs samsvarserklæring

*Gjelder kun for land i Europa*

EFs samsvarserklæring er lagt til som vedlegg A i denne bruksanvisningen.

## SIKKERHETSADVARSEL

### Generelle advarsler angående sikkerhet for elektroverktøy

**⚠ ADVARSEL:** Les alle sikkerhetsadvarsler, instruksjoner, illustrasjoner og spesifikasjoner som følger med dette elektroverktøyet. Hvis ikke alle instruksjonene nedenfor følges, kan det forekomme elektrisk støt, brann og/eller alvorlig skade.

### Oppbevar alle advarsler og instruksjoner for senere bruk.

Uttrykket «elektrisk verktøy» i advarslene refererer både til elektriske verktøy (med ledning) tilkoblet strømmettet, og batteridrevne verktøy (uten ledning).

- Den medfølgende verktøybeskyttelsen må festes skikkelig på det elektriske verktøyet og plasseres for maksimal sikkerhet, slik at en så liten del som mulig av skiven er eksponert mot operatøren. Still deg selv og andre vekk fra den roterende skivens plan.** Vernet bidrar til å beskytte brukeren mot åbrevte skivefragmenter og utilsikket kontakt med skiven.
- Bruk bare diamantskiver med dette elektriske verktøyet.** Selv om et tilbehør kan monteres på verktøyet, betyr ikke dette at det er trygt å bruke.
- Angitt hastighet for tilbehøret må være minst like høy som største angitte hastighet på elektroverktøyet.** Tilbehør som kjøres med større hastighet enn det som er angitt, kan gå i stykker og slynges ut.
- Skiver må bare brukes slik det er anbefalt. For eksempel: ikke slip med siden av en kappeskive.** Kappeskiver for sliping er bare beregnet for periferisk sliping. Sidekrefter mot disse skivene kan knuse dem.
- Bruk alltid uskadede skiveflenser med riktig diameter for skiven som er valgt.** Riktige skiveflenser støtter skiven og reduserer muligheten for skivebrudd.
- Den ytre diameteren og tykkelsen på tilbehøret må ligge innenfor den angitte kapasiteten for elektroverktøyet.** Tilbehør i feil størrelse kan ikke sikres eller kontrolleres fullgodt.
- Akselstørrelsen på skiver og flenser må være riktig tilpasset spindelen på verktøyet.** Skiver og flenser med akselhull som ikke korresponderer med monteringsmekanismen på verktøyet, vil komme ut av balanse, vibrere kraftig og kanskje føre til tap av kontroll.
- Ikke bruk skiver som er skadd. Undersøk skivene med hensyn til skår og sprekker før hver bruk.** Hvis elektroverktøyet eller skiven faller i bakken, må du undersøke om det oppstod skade eller montere en uskadd skive. Etter at skiven er undersøkt og montert, må du plassere deg selv og andre utenfor skivens rotasjonsplan og kjøre verktøyet på maksimal hastighet uten belastning i ett minutt. Skiver som er skadd, vil vanligvis gå i stykker i løpet av denne testen.
- Bruk personlig verneutstyr. Avhengig av bruksområdet, må du bruke visir eller vernebriller.** Der det er aktuelt, må du bruke støvmaske, hørselvern, hansker og forkle som kan stoppe små slipefragmenter eller deler fra arbeidsemnet. Øyevernet må kunne stoppe flygende biter som oppstår under ulike operasjoner. Støvmasken eller åndedrettsvernet må kunne filtrere ut partikler som oppstår under arbeidet. Kraftig lyd over lengre tid kan forårsake redusert hørsel.
- Hold andre på trygg avstand fra arbeidsområdet. Alle som beveger seg inn i arbeidsområdet må bruke personlig verneutstyr.** Fragmenter fra arbeidsemnet eller en skadet skive kan fly av sted og forårsake personskade utenfor det umiddelbare bruksstedet.

- Hold maskinen kun i det isolerte håndtaket når skjæreverktøyet kan komme i kontakt med skjulte ledninger eller maskinens egen ledning under arbeidet.** Hvis kutteutstyret kommer i kontakt med strømførende ledninger, kan ikke isolerte metalldele i maskinen bli strømførende og kunne gi brukeren elektrisk støt.
- Plasser ledningen unna det roterende tilbehøret.** Hvis du mister kontrollen, kan ledningen bli kappet eller klemt fast, og hånden eller armen din kan bli trukket inn mot den roterende skiven.
- Ikke legg ned elektroverktøyet før tilbehøret har stoppet helt.** Den roterende skiven kan ta tak i underlaget og trekke verktøyet utenfor din kontroll.
- Ikke kjør elektroverktøyet når du bærer det langs siden.** Utilsikket kontakt med roterende tilbehør kan føre til at det fester i klærne og trekkes inn mot kroppen.
- Rengjør verktøyets luftventiler regelmessig.** Motorens vifte trekker støv inn i verktøyhuset og mye oppsamlet metallstøv kan medføre elektrisk fare.
- Ikke bruk elektroverktøyet nær brennbare materialer.** Gnister kan antenne slike materialer.
- Ikke bruk tilbehør som krever kjølevæske.** Bruk av vann eller andre kjølevæsker kan føre til elektrisk støt.

## Tilbakeslag og relaterte advarsler

Tilbakeslag er en plutselig reaksjon på en roterende skive som er klemt eller hektet fast. Fastklemming eller hekking gjør at den roterende skiven plutselig stopper, noe som i sin tur gjør at det ukontrollerbare elektroverktøyet kastes i motsatt retning av skivens rotasjonsretning ved fastklemmingspunktet.

Hvis for eksempel en slipeskive klemmes eller hektes fast i arbeidsemnet, kan kanten på skiven som er fastklemt, grave seg inn i overflaten på materialet og føre til at skiven graver seg ut eller slås ut. Skiven kan enten sprette mot eller vekk fra operatøren, avhengig av rotasjonsretningen på skiven når den klemmes fast. Slipeskiver kan også knekke under slike forhold. Tilbakeslag er et resultat av at elektroverktøyet misbrukes og/eller brukes på feil måte eller under feil forhold, og kan unngås ved å ta de nødvendige forholdsreglene som beskrives under.

- Hold godt fast i verktøyet og plasser kroppen og armen din slik at du kan motstå kreftene i et tilbakeslag. Bruk alltid hjelpehåndtak når det følger med, for å få best mulig kontroll over tilbakeslag eller dreiemomentreaksjonen ved oppstart.** Operatøren kan kontrollere dreiemomentreaksjonen eller tilbakeslagskreftene hvis de riktige forholdsreglene tas.
- Legg aldri hånden nær det roterende tilbehøret.** Tilbehøret kan slå tilbake over hånden.
- Ikke plasser kroppen på linje med den roterende skiven.** Tilbakeslag gjør at verktøyet slås i motsatt retning av skivens bevegelse når den blir sittende fast.
- Vær spesielt forsiktig under arbeid med hjørner, skarpe kanter osv. Unngå å la tilbehøret sprette eller hugge.** Hjørner, skarpe kanter eller støt har en tendens til å klemme fast det roterende tilbehøret og forårsake tap av kontrollen eller tilbakeslag.

5. Ikke monter et sagkjødeblad, treskjæringsblad, segmentert diamantskive med periferisk avstand over 10 mm eller tannet sagblad. Slike blader gir ofte tilbakeslag og mangel på kontroll.
6. Ikke «klem fast» skiven eller legg sterkt press på den. Ikke forsøk å kutte svært dypt. For mye press på skiven øker belastningen og sjansen for at skiven vis eller setter seg fast under kutting, samt at det øker sjansen for tilbakeslag eller at skiven blir ødelagt.
7. Når skiven fastklemmes eller du ønsker å avbryte kappingen, må du slå av verktøyet og holde det i ro til skiven har stoppet helt. Forsøk aldri å fjerne skiven fra kuttet mens den er i bevegelse, da dette kan forårsake tilbakeslag. Undersøk årsaken til at skiven setter seg fast, og rett opp feilen.
8. Ikke start kappingen på nytt mens skiven står i arbeidsemnet. La skiven nå full hastighet, og før den så ned i kuttet på nytt. Skiven kan sette seg fast, bli trukket oppover eller gi tilbakeslag hvis det elektriske verktøyet startes på nytt i arbeidsemnet.
9. Støtt opp plater eller store arbeidsemner for å minimere muligheten for fastklemming eller tilbakeslag. Store arbeidsemner har en tendens til å synke under sin egen vekt. Det må plasseres støtter under arbeidsemnet nært kuttlinjen og nært kanten på arbeidsemnet på begge sider av skiven.
10. Vær ekstra forsiktig når du lager «hull» i eksisterende vegger eller andre områder uten innsyn. Skiven som stikker ut, kan kutte gass- eller vannrør, elektriske ledninger eller objekter som kan forårsake tilbakeslag.
11. Før bruk av en segmentert diamantslipeskive, må du kontrollere at diamantslipeskiven har en perifer åpning på mindre enn 10 mm mellom segmentene, og kun med en negativ flisvinkel.

#### Ekstra sikkerhetsadvarsler:

1. Forsøk aldri å skjære mens maskinen holdes opp ned i en skrustikke. Dette er ekstremt farlig og kan forårsake alvorlige ulykker.
2. Enkelte materialer inneholder kjemikalier som kan være giftige. Vær forsiktig for å hindre hudkontakt og innånding av støv. Følg leverandørens sikkerhetsanvisninger.
3. Oppbevar skivene i henhold til produsentens anbefalinger. Hvis skivene oppbevares på feil måte, kan de bli skadet.

## TA VARE PÅ DISSE INSTRUKSENE.

**⚠ ADVARSEL:** IKKE LA hensynet til hva som er "behagelig" eller det faktum at du kjenner produktet godt (etter mange gangers bruk) gjøre deg mindre oppmerksom på sikkerhetsreglene for bruken av det aktuelle produktet. Ved MISBRUK eller hvis ikke sikkerhetsreglene i denne bruksanvisningen følges, kan det oppstå alvorlig personskade.

## FUNKSJONSBEKRIVELSE

**⚠ FORSIKTIG:** Forviss deg alltid om at maskinen er slått av og støpselet trukket ut av kontakten før du justerer eller kontrollerer de mekaniske funksjonene.

### Justere skjæredybden

**⚠ FORSIKTIG:** Når du har justert skjæredybden, må du alltid stramme spaken godt.

Løse spaken på dybdeføringen, og beveg foten opp eller ned. Fest foten ved ønsket skjæredybde ved å stramme spaken.

For at skjæringen skal bli renere og sikrere må du stille inn skjæredybden slik at ikke mer enn 2 mm av diamantskiven stikker ut under arbeidsstykket. Hvis skjæredybden er riktig, reduseres risikoen for farlige TILBAKESLAG som kan forårsake personskade.

► Fig.1: 1. Spak

### Sikting

Sett kanten på forsiden av foten på linje med skjærelinjen til arbeidsstykket.

► Fig.2

### Bryterfunksjon

**⚠ FORSIKTIG:** Før du kobler maskinen til strømmettet, må du alltid kontrollere at startbryteren aktiverer maskinen på riktig måte og går tilbake til «AV»-stilling når den slippes.

► Fig.3: 1. Startbryter 2. Låseknapp/av-låseknapp

### For verktøy med sperreknapp

**⚠ FORSIKTIG:** Bryteren kan sperres i «ON»-stilling for å gjøre det lettere for operatøren ved langvarig bruk. Vær forsiktig når du sperrer verktøyet i «ON»-stilling, og hold det godt fast.

Trykk på startbryteren for å starte verktøyet. Utløs startbryteren for å stoppe. Når verktøyet skal brukes kontinuerlig, må du trykke inn startbryteren, trykke inne sperreknappen og deretter slippe opp startbryteren. Hvis du vil stoppe verktøyet mens det er sperret, må du trykke startbryteren helt inn og slippe den.

### For verktøy med AV-sperreknapp

For å unngå at startbryteren trykkes inn ved en feiltakelse, er maskinen utstyrt med en AV-sperreknapp. For å starte maskinen må du trykke inn AV-sperreknappen og trykke på startbryteren. Utløs startbryteren for å stoppe.



**⚠ ADVARSEL:** Maskinen må **ALDRI** brukes hvis den begynner å gå bare du trykker på startbryteren, uten at du må trykke på **AV-sperreknappen** også. En skadet/defekt bryter kan føre til at maskinen aktiveres utilsiktet og alvorlige personskader kan oppstå. Returner maskinen til et Makita-servicesenter for å få den reparert FØR videre bruk.

**⚠ ADVARSEL:** **ALDRI** sett **AV-sperreknappen** uten å funksjon ved å for eksempel teipe over den. En defekt AV-sperreknapp kan føre til at maskinen aktiveres utilsiktet og alvorlige personskader kan oppstå.

**⚠ FORSIKTIG:** Ikke press hardt på startbryteren uten å trykke inn **AV-sperreknappen**. Dette kan få bryteren til å brekke.

## MONTERING

**⚠ FORSIKTIG:** Forviss deg alltid om at maskinen er slått av og støpselet trukket ut av kontakten før du utfører noe arbeid på maskinen.

### Oppbevare sekskantnøkkel

Når sekskantnøkkelen ikke er i bruk, må du oppbevare den som vist i figuren, slik at du ikke mister den.

► Fig.4: 1. Sekskantnøkkel

### Fjerne eller montere diamantskiven

**⚠ FORSIKTIG: SØRG FOR AT SEKSKANTSKRUE ER STRAMMET TIL SKIKKELIG.** Du må også sørge for at skruen ikke strammes for hardt. Hvis hånden glipper fra sekskantnøkkelen, kan det medføre personskade.

**⚠ FORSIKTIG:** Bruk bare Makita-nøkkelen og sekskantnøkkelen til å montere eller fjerne skiven.

Hold i den ytre flensen med skrunøkkelen og løs sekskantskruen med sekskantnøkkelen. Fjern så sekskantskruen, den ytre flensen og diamantskiven.

► Fig.5: 1. Sekskantnøkkel 2. Sekskantskrue  
3. Skrunøkkel 22 4. Løsne 5. Stramme

Monter diamantskiven ved å følge fremgangsmåten for demontering i motsatt rekkefølge. Monter alltid skiven på en slik måte at pilen på diamantskivens punkter peker i samme retning som pilen på girhuset.

► Fig.6: 1. Sekskantskrue 2. Ytre flens  
3. Diamantskive 4. Indre flens 5. Koppskive

## Støvpose

Bruk av støvposer gjør skjærearbeider rene og letter støvoppsamlingen. Fest støvposen ved å sette den på støvutløpet.

► Fig.7: 1. Støvpose 2. Støvutløp

Halsen på støvutløpet roterer fritt. Plasser støvposen slik at du kan det er komfortabelt å bruke verktøyet.

► Fig.8

Når støvposen er omtrent en tredjedels full, må du ta den av maskinen og trekke ut festemekanismen. Tøm støvposen, og bank lett på den for å fjerne partikler som hefter til innsiden og kan hemme oppsamlingen.

► Fig.9: 1. Festemekanisme

## Koble til støvsugeren

Hvis du vil skjære så rent som mulig, kan du koble en Makita-støvsuger til verktøyet ditt.

► Fig.10: 1. Støvsugerslange 2. Støvutløp

## BRUK

**⚠ FORSIKTIG:** Denne maskinen må bare brukes på horisontale overflater.

**⚠ FORSIKTIG:** Sørg for å bevege kutteren pent og forsiktig fremover i en rett linje. Hvis kappeskiven utsettes for bruk av makt eller overdrevent trykk, eller blir bøyd, klemt eller vridd, kan motoren bli overopphetet. Dette kan føre til farlige tilbakeslag (kickback) fra verktøyet.

Hold verktøyet godt fast. Sett fotplaten på arbeidsemnet som skal kappes, uten at diamantskiven kommer bort i arbeidsemnet. Slå deretter på verktøyet og vent til diamantskivene oppnår full hastighet. Beveg nå maskinen forover over overflaten av arbeidsemnet, mens du holder den flatt og beveger deg jevnt forover, inntil snittet er fullført. Hold skjærelinjen rett og fremgangshastigheten jevn.

► Fig.11

## VEDLIKEHOLD

**⚠ FORSIKTIG:** Forviss deg alltid om at maskinen er slått av og støpselet trukket ut av kontakten før du foretar inspeksjon eller vedlikehold.

**OBS:** Aldri bruk gasolin, bensin, tynner alkohol eller lignende. Det kan føre til misfarging, deformering eller sprekkdannelse.

## Pusse diamantskive

Hvis diamantskivens skjæreevne begynner å avta, må du pusse snittkanten på diamantskiven på en gammel kassert grov slipestein eller en betongblokk. For å få til dette, må du feste slipesteinen eller betongblokken godt og skjære i den.

## Etter bruk

Rengjør for støv i verktøyet, ved å la den gå på tomgang en stund. Børst av støvansamling på foten. Oppsamlet støv inne i motoren eller på foten kan forårsake funksjonsfeil.

## Skifte kullbørster

Kontroller kullbørstene med jevne mellomrom. Bytt dem når de er slitt ned til utskiftingsmerket. Hold kullbørstene rene og fri til å bevege seg i holderne. Begge kullbørstene må skiftes samtidig. Bruk bare identiske kullbørster.

► **Fig.12:** 1. Grensemerke

Bruk en skrutrekker til å fjerne børsteholderhettene. Ta ut de slitte kullbørstene, sett i nye, og fest børsteholderhettene.

► **Fig.13:** 1. Skrutrekker 2. Børsteholderhette

For å opprettholde produktets SIKKERHET og PÅLITELIGHET, må reparasjoner, vedlikehold og justeringer utføres av autoriserte Makita servicesentre eller fabrikksservicesentre, og det må alltid brukes reservedeler fra Makita.

## VALGFRITT TILBEHØR

**⚠FORSIKTIG:** Det anbefales at du bruker dette tilbehøret eller verktøyet sammen med den Makita-maskinen som er spesifisert i denne håndboken. Bruk av annet tilbehør eller verktøy kan forårsake personskader. Tilbehør og verktøy må kun brukes til det formålet det er beregnet på.

Ta kontakt med ditt lokale Makita-servicesenter hvis du trenger mer informasjon om dette tilbehøret.

- Diamantskiver (tørr type)
- Skrunøkkel 22
- Sekskantnøkkel
- Føringsskinne
- Føringsskinneadapter
- Vernebriller

**MERK:** Enkelte elementer i listen kan være inkludert som standardtilbehør i verktøypakken. Elementene kan variere fra land til land.

## TEKNISET TIEDOT

Malli:	4100KB
Laikan halkaisija	125 mm
Laikan suurin paksuus	2,2 mm
Suurin leikkuukapasiteetti	40 mm
Nimellisa nopeus (n)	12 200 min <sup>-1</sup>
Kokonaispituus	231 mm
Nettopaino	3,0 kg
Suojausluokka	□/II

- Jatkuvasta tutkimus- ja kehitystyöstämme johtuen esitetyt tekniset tiedot saattavat muuttua ilman erillistä ilmoitusta.
- Tekniset tiedot voivat vaihdella mallittain.
- Paino EPTA-menetelmän 01/2014 mukainen

### Käyttötarkoitus

Laite on tarkoitettu sahaamaan tiiliä ja betonia ilman vettä.

### Virtälähde

Koneen saa kytkeä vain sellaiseen virtälähteeseen, jonka jännite on sama kuin arvokilvessä ilmoitettu, ja sitä saa käyttää ainoastaan yksivaiheisella vaihtovirralla. Laite on kaksinkertaisesti suojaeristetty ja siksi se voidaan kytkeä myös maadoittamattomaan pistorasiaan.

### 220-250 V matalajännitteiset julkiset jakeluverkot

Sähkölaitteiden käynnistys ja sammutus aiheuttavat jännitevaihteluita. Tämän laitteen käyttö epävakaa verkossa saattaa haitata muiden laitteiden toimintaa. Haittavaikutuksia ei ole odotettavissa, jos verkon impedanssi on enintään 0,37 ohmia. Verkkopistokkeessa, johon tämä laite kytketään, on oltava sulake tai hidas vikavirtakatkaisin.

### Melutaso

Tyypillinen A-painotettu melutaso määräytyy standardin EN60745 mukaan:

Äänenpainetaso ( $L_{pA}$ ) : 96 dB (A)

Äänen voiman taso ( $L_{WA}$ ) : 107 dB (A)

Virhemarginaali (K): 3 dB (A)

**VAROITUS:** Käytä kuulosuojaimia.

### Tärinä

Kokonaistärinä (kolmen akselin vektorien summa) määräytyy standardin EN60745 mukaan:

Työtila: betonin leikkaaminen

Tärinäpäästö ( $a_{h1}$ ) : 6,0 m/s<sup>2</sup>

Virhemarginaali (K): 1,5 m/s<sup>2</sup>

**HUOMAA:** Ilmoitettu tärinäpäästöarvo on mitattu standarditestausten mukaisesti, ja sen avulla voidaan vertailla työkaluja keskenään.

**HUOMAA:** Ilmoitettua tärinäpäästöarvoa voidaan käyttää myös altistumisen alustavaan arviointiin.

**VAROITUS:** Työkalun käytön aikana mitattu todellinen tärinäpäästöarvo voi poiketa ilmoitetusta tärinäpäästöarvosta työkalun käyttötavan mukaan.

**VAROITUS:** Selvitä käyttäjän suojaamiseksi tarvittavat varoimet todellisissa käyttöolosuhteissa tapahtuvan arvioidun altistumisen mukaisesti (ottaen huomioon käyttöjakso kokonaisuudessaan, myös jaksot, joiden aikana työkalu on sammutettuna tai käy tyhjäkäynnillä).

### EY-vaatimusten mukaisuusvakuutus

*Koskee vain Euroopan maita*

EY-vaatimusten mukaisuusvakuutus on liitetty tähän käyttöoppaaseen.

## TURVAROITUKSET

### Sähkötyökalujen käyttöä koskevat yleiset varoitukset

**VAROITUS:** Tutustu kaikkiin tämän sähkötyökalun mukana toimitettuihin varoituksiin, ohjeisiin, kuviin ja teknisiin tietoihin. Seuraavassa lueteltujen ohjeiden noudattamatta jättäminen saattaa johtaa sähköiskuun, tulipaloon tai vakavaan vammautumiseen.

### Säilytä varoitukset ja ohjeet tulevaa käyttöä varten.

Varoituksissa käytettävällä termillä "sähkötyökalu" tarkoitetaan joko verkkovirtaa käyttävää (johdollista) työkalua tai akkukäyttöistä (johdotonta) työkalua.

- Laitteen mukana toimitettu suojus on kiinnitettävä laitteeseen tukevasti turvalliseen asentoon niin, että mahdollisimman pieni osa laikasta näkyy käyttäjää kohti. Asetu siten, että sinä itse tai kukaan sivullinen ei ole pyörivän laikan kanssa samassa tasossa.** Suoja suojaa käyttäjää rikkoutuneen laikan sirpaleilta ja estää koskettamasta laikkaa vahingossa.
- Käytä ainoastaan laitteeseen tarkoitettuja timanttikatkaisulaikkoja.** Vaikka lisävarusteen voikin kiinnittää laitteeseesi, sen käyttö ei silti välttämättä ole turvallista.
- Lisävarusteen määrätyn nopeuden täytyy olla ainakin samanvertainen laitteessa osoitetun enimmäisnopeuden kanssa.** Sellaiset lisävarusteet, jotka toimivat nopeammin kuin määritetty nopeus, voivat rikkoutua ja sinkoutua erilleen.
- Laikkoja saa käyttää vain niille suositeltuun käyttötarkoitukseen.** Esimerkki: älä käytä katkaisulaikan sivua homiseen. Katkaisulaikkaa käytettäessä hionta tapahtuu vain laikan kehällä. Sivuttaisvoimat voivat rikkoa laikan.
- Käytä aina ehjiä laikkalaiippoja, joiden läpimitta vastaa valittua laikkaa.** Oikeantyyppiset laikkalaipeat tukevat laikkaa ja pienentävät näin laikan rikkoutumisriskiä.
- Lisävarusteisi ulkohalkaisijan ja paksuuden on oltava laitteesi määritetyn kapasiteetin sisällä.** Väärin mitoitettuja lisävarusteita ei voida suojata tai ohjata sopivasti.
- Laikkojen ja laipponen reikäkokojen täytyy sopia laitteen karaan täsmälleen.** Laikat ja laipat, joiden rei'itys ei vastaa laitteen kiinnitysosaa, toimivat epätasapainossa, värähtelevät liikaa ja saattavat aiheuttaa hallinnan menetyksen.
- Älä käytä viallisia laikkoja.** Tarkasta ennen jokaista käyttökertaa, ettei laikoissa ei ole lohkeamia tai halkeamia. Jos laite tai laikka pääsee putoamaan, tarkista sen kunto tai vaihda laikka ehjään. Asetu laikan tarkastuksen ja asennuksen jälkeen siten, että sinä itse tai kukaan sivullinen ei ole pyörivän laikan kanssa samassa tasossa, ja käytä laitetta sitten suurimmalla sallitulla joutokäyntinopeudella yhden minuutin ajan. Vialliset laikat rikkoontuvat yleensä tämän kokeen aikana.
- Käytä suojavarusteita.** Käytä käyttötarkoituksen mukaisesti kasvosuojusta, suojalaseja tai sivusuojilla varustettuja laseja. Käytä tarvittaessa hengityssuojaimia, kuulosuojaimia, hansikkaita ja työessua, joka suojaa pieniltä pirstaleilta. Suojalasiin täytyy suojata kaikenlaisista töistä aiheutuvilta lentäviltä pirstaleilta. Hengityssuojaimen täytyy suodattaa työskentelyn tuottamat hiukkaset. Pitkäaikainen altistuminen voimakkaalle melulle voi vahingoittaa kuuloa.
- Pidä sivulliset turvallisen välimatkan päässä työalueelta.** Kaikkien työskentelyalueelle tulevien on käytettävä suojavarusteita. Työkappaleen tai rikkoutuneen laikan sirpaleet voivat sinkoutua ja aiheuttaa onnettomuuden muuallakin kuin käyttökohteen välittömässä läheisyydessä.

- Jos on mahdollista, että laitteet terä osuu pillosa oleviin johtoihin tai koneen omaan virtajohtoon, pidä leikatessasi kiinni laitteesta sen eristetyistä tartuntapinnoista.** Jos leikkuväline joutuu kosketukseen jännitteelliseen johon kanssa, jännite voi siirtyä laitteeseen sähköä johtaviin metalliosiin ja aiheuttaa käyttäjälle sähköiskun.
- Sijoita johto luotettavaan paikkaan kaasun pyörivästä lisävarusteesta.** Jos menettät laitteen hallinnan, johto voi leikkautua tai juuttua kiinni ja aiheuttaa kätesi tai käsivartesi joutumisen pyörivään laikkaan.
- Älä koskaan laita laitetta alas, ennen kuin lisävaruste on täysin pysähtynyt.** Pyörivä laikka voi tarttua alla olevaan pintaan ja vetää laitteen pois hallinnastasi.
- Älä käytä laitetta, kun kannat sitä sivullasi.** Vahingossa aiheutuva kosketus pyörivään lisävarusteeseen voi repiä vaatteesi, vetäen lisävarusteen kehoosi.
- Puhdista laitteen ilma-aukot säännöllisesti.** Moottorin tuuletin imee pölyä koteloon ja metallijauheen kerääntymisen laitteeseen voi aiheuttaa sähköiskuvaaran.
- Älä käytä laitetta tulenarkojen materiaalien lähellä.** Kipinät voivat sytyttää nämä materiaalit.
- Älä käytä sellaisia lisävarusteita, jotka vaativat jäähdytysnesteitä.** Jos käytät vettä tai muita jäähdytysnesteitä, ne voivat aiheuttaa sähkötapaturman tai -iskun.

## Takapotku ja siihen liittyvät varoitukset

Takapotku on kiinni juuttuneen laikan aiheuttama äkillinen sysäys. Kiinni juuttuminen tai takertelu aiheuttaa pyörivän laikan äkkinäisen pysähtymisen, mikä puolestaan aiheuttaa työkalun hallitsemattoman työntymisen pyörimisliikkeen vastakkaiseen suuntaan. Jos laikka esimerkiksi juuttuu työkappaleeseen, juuttumiskohtaan pureutumassa oleva laikka voi tunkeutua kappaleen pintaan, jolloin se kipeää ylös tai potkaisee taaksepäin. Laikka voi ponnahtaa joko käyttäjää kohti tai käyttäjästä pois päin riippuen laikan pyörimissuunnasta juuttumishetkellä. Hiomalaikat voivat myös rikkoutua näissä tilanteissa. Takapotku johtuu tehokoneen virheellisestä käytöstä ja/tai käyttötavasta tai olosuhteista. Takapotku voidaan välttää seuraavien varotoimien avulla.

- Pitele tehokoneesta tukevasti kiinni ja asetu sellaiseen asentoon, että voit vastustaa takapotkun voimaa.** Käytät aina apukahvaa, jos annettu mukana, takapotkujen tai vääntömomentin maksimi hallinnon vuoksi käynnistykseen aikana. Käyttäjät voi hallita vääntömomentin reaktioita tai takapotkun voimaa noudattamalla sopivia varotoimenpiteitä.
- Älä koskaan vie kättäsi pyörivän lisävarusteen lähelle.** Lisävaruste saattaa aiheuttaa takapotkun käsillesi.
- Älä asetu pyörivän laikan kanssa samaan linjaan.** Takapotku heittää laitetta laikan pyörimissuuntaan nähden päinvastaiseen suuntaan.
- Ole erityisen varovainen, kun työstät nurkkia, teräviä reunoja tms. Vältä laikan pommipimistä ja jumittumista.** Kulmilla, terävillä reunoilla tai ponnahtamisella on taipumus repäistä pyörivää lisävarustetta ja aiheuttaa hallinnan menettämisen tai takapotkun.

5. Älä käytä laitetta moottorisahan teräketjua, puunleikkuuterää, halkaisijaltaan yli 10 mm:n kokoista segmentoitua timanttilaikkaa tai hammastettua sahanterää. Tällaiset terät aiheuttavat usein takapotkuja ja hallinnan menettämisen.
6. Älä anna laikan juuttua paikalleen äläkä paina laitetta liian voimakkaasti. Älä yritä tehdä liian syvää uraa. Laikan liiallinen painaminen lisää kuormitusta ja laikan vääntymis- tai juuttumisriskiä, jolloin seurauksena voi olla takapotku tai laikan rikkoutuminen.
7. Kun laikka takertelee tai työ joudutaan jostakin syystä keskeyttämään, katkaise laitteesta virta ja pidä sitä paikoillaan liikkumatta, kunnes laikka on täysin pysähtynyt. Älä koskaan yritä irrottaa laikkaa urasta, kun laikka vielä pyörii, koska seurauksena voi olla takapotku. Selvitä laikan takertelun syy ja poista juuttumisen aiheuttamien syy.
8. Älä käynnistä laitetta niin, että se on kiinni työkappaleessa. Anna laikan savuttaa täysi pyörimisnopeus ja työnnä laikka sitten varovasti leikkuu-uraa. Jos työkalu käynnistetään niin, että se on kiinni työkappaleessa, laikka voi juuttua, työntyä taaksepäin tai ponnahtaa ylös.
9. Vähennä laikan takertelu- ja takapotkuriskiä tukemalla paneelit ja ylisuuret työkappaleet huolellisesti. Suurikokoiset työkappaleet pyrkivät taipumaan omasta painostaan. Työkappale on tuettava laikan kummaltakin puolelta leikkulinjan vierestä ja työkappaleen reunoilta.
10. Ole erityisen varovainen, kun teet aukkoja seinäin tai muihin umpinaisiin rakenteisiin. Laikka voi katkaista kaasu- tai vesiputken tai sähköjohtoja tai osua takapotkun aiheuttaviin esteisiin.
11. Ennen kuin käytät segmentoitua timanttilaikkaa, varmista, ettei segmenttien välinen rako laikan kehällä ole yli 10 mm ja että laikan teräkulma on negatiivinen.

#### Turvallisuutta koskevat lisävaroitukset:

1. Älä koskaan yritä koskaan sahata laitteella, joka on ylösalaisin viilapenkillä. Tämä voi johtaa vakaviin onnettomuuksiin, koska se on erittäin vaarallista.
2. Jotkin materiaalit sisältävät kemikaaleja, jotka voivat olla myrkyllisiä. Vältä pölyn sisäänhengittämistä ja ihokosketusta. Noudata materiaalin toimittajan käyttöturvallisuustiedotetta.
3. Säilytä laikkoja valmistajan suositusten mukaisesti. Väärä säilytys voi vaurioittaa laikkoja.

## SÄILYTÄ NÄMÄ OHJEET.

**VAROITUS:** ÄLÄ anna työkalun helpokäyttöisyyden (toistuvan käytön aikaansaama) johtaa sinua vääriin turvallisuuden tunteeseen niin, että laiminlyöt työkalun turvaohjeiden noudattamisen. **VÄÄRINKÄYTTÖ** tai tässä käyttöohjeessa ilmoitettujen turvamääräysten laiminlyönti voi aiheuttaa vakavia henkilövahinkoja.

## TOIMINTOJEN KUVAUS

**HUOMIO:** Varmista aina ennen koneen säätöjen ja toiminnallisten tarkistusten tekemistä, että kone on sammutettu ja irrotettu pistorasiasta.

## Leikkaussyvyyden säätäminen

**HUOMIO:** Kiristä kahva luotettavasti aina leikkaussyvyyden säätämisen jälkeen.

Löysää syvyydeltä olevaa vipua ja siirrä jalustaa ylös tai alas. Kun sopiva leikkaussyvyys on säädetty, lukitse jalusta kiristämällä vipua.

Aseta leikkaussyvyys niin, että timanttilaikka ulottuu enintään 2 mm työkappaleen alapinnan ulkopuolelle, jolloin leikkauksijäljestä tulee siisti ja itse leikkaus on turvallisempaa. Oikea leikkaussyvyys vähentää henkilövahinkoja aiheuttavien mahdollisten vaarallisten TAKAPOTKUJEN vaaraa.

► Kuva1: 1. Vipua

## Tähtäminen

Kohdistu pohjan etuosan reuna työkappaleessa olevaan leikkulinjaan.

► Kuva2

## Kytkimen käyttäminen

**HUOMIO:** Tarkista aina ennen työkalun liittämistä virtalähteeseen, että liipaisinkytkin kytketty oikein ja palaa asentoon "OFF", kun se vapautetaan.

► Kuva3: 1. Liipaisinkytkin 2. Lukituspainike / vapautuspainike

## Lukituspainikkeella varustetulle työkalulle

**HUOMIO:** Kytkimen voi lukita "ON" asentoon, jotta pitkäaikainen käyttö helpottuisi käyttäjälle. Ole varovainen, kun lukitset työkalun "ON" asentoon ja pidä työkalusta luja ote.

Käynnistä työkalu painamalla liipaisinkytkintä. Pysäytä vapauttamalla liipaisinkytkin. Jatkuvaa toimintaa varten vedä liipaisinkytkimestä, työnnä lukituspainiketta ja vapauta sitten liipaisinkytkin. Pysäytä työkalu lukitusasennosta vetämällä liipaisin kokonaan ja sitten vapauttamalla se.

## Vapautuspainikkeella varustetulle työkalulle

Lukituksen vapautusnappi ehkäisee liipaisinkytkimen tahattoman vetämisen. Käynnistä työkalu painamalla vapautuspainiketta ja vetämällä liipaisinkytkimestä. Pysäytä vapauttamalla liipaisinkytkin.

**VAROITUS:** ÄLÄ koskaan käytä sahaa, jos se käynnistyy pelkästään liipaisinkytkintä painamalla ilman, että painaisit lukituksen vapautuspainiketta. Jos kytkin on viallinen, laite saattaa käynnistyä vahingossa, mistä voi seurata vakava henkilövahinko. Toimita työkalu Makita-huoltoon korjattavaksi ENNEN kuin jatkat käyttöä.

**VAROITUS:** ÄLÄ KOSKAAN ohita lukituksen vapautuspainiketta teippaamalla sitä kiinni tai muulla tavoin. Jos kytkimen lukituksen vapautuspainike vapautetaan, laite saattaa käynnistyä vahingossa, mistä voi seurata vakava henkilövahinko.

**HUOMIO:** Älä vedä kytkimen liipaisinta voimakkaasti, ellei samalla paina lukituksen vapautusnapia. Kytkin voi rikkoutua.

## KOKOONPANO

**HUOMIO:** Varmista aina ennen koneelle tehtäviä toimenpiteitä, että kone on sammutettu ja irrotettu pistorasiasta.

### Kuusioavaimen varastointi

Säilytä kuusioavainta kuvan osoittamassa paikassa sen katoamisen välttämiseksi.

► **Kuva4:** 1. Kuusioavain

### Timanttilaikan irrottaminen tai asentaminen

**HUOMIO:** MUISTA KIRISTÄÄ KUUSIOPULTTI KUNNOLLA. Varo myös kiristämästä pulttia väkisin. Kätesi lipsahtaminen kuusioavaimesta voi aiheuttaa tapaturman.

**HUOMIO:** Käytä laikan asentamiseen ja irrottamiseen vain Makitan kiintoavainta tai kuusioavainta.

Pidä ulkolaippaa paikallaan kiintoavaimella ja löysää kuusiopulttia kuusioavaimella. Poista sitten kuusiopultti, ulompi laippa ja timanttilaikka.

► **Kuva5:** 1. Kuusioavain 2. Kuusiopultti 3. Kiintoavain 22 4. Löysää 5. Kiristä

Timanttilaikka asennetaan päinvastaisessa järjestyksessä. Asenna laikka aina niin, että timanttilaikan nuoli osoittaa samaan suuntaan kuin teräkotelon nuoli.

► **Kuva6:** 1. Kuusiopultti 2. Ulkolaippa 3. Timanttilaikka 4. Sisälaippa 5. Kupualuslevy

## Pölypussi

Pölypussin käytön ansiosta sahaaminen on siistää ja pölyn kerääminen helppoa. Pölypussi kiinnitetään asentamalla se pölynokan päälle.

► **Kuva7:** 1. Pölypussi 2. Pölynokka

Pölynokan kaula pyörii vapaasti. Sijoita pölypussi niin, että voit käyttää laitetta miellyttävällä tavalla.

► **Kuva8**

Kun pölypussi on noin kolmanneksen täynnä, poista pölypussi laitteesta ja vedä kiinnitin ulos. Tyhjennä pölypussin sisältö napauttaen sitä kevyesti siten, että sen sisäpuolelle kiinnittyneet ja keräystä mahdollisesti vaikeuttavat hiukkaset poistuvat.

► **Kuva9:** 1. Kiinnitin

## Kytkeminen pölynimuriin

Jos haluat suorittaa siistin sahaustyön, liitä laitteeseesi Makita-pölynimuri.

► **Kuva10:** 1. Pölynimurin letku 2. Pölynokka

## TYÖSKENTELY

**HUOMIO:** TÄTÄ TYÖKALUA TULEE KÄYTTÄÄ VAIN VAAKASUORILLA PINNOILLA.

**HUOMIO:** Muista siirtää työkalua eteenpäin suoraviivaisesti ja varovasti. Pakottaminen ja kohdistaminen liiallisen paineen tai joka aiheuttaa laikan taipumista, leikkuun puristaminen tai kiertäminen voi aiheuttaa moottorin ylikuumentumista ja työkalun vaarallisen takaiskun.

Ota työkalusta lujaa ote. Aseta pohjan levy leikattavan työkalupaleen päälle ilman, että timanttilaikka koskettaa työkalupaltoa. Käynnistä sitten työkalu ja odota, kunnes timanttilaikka pyörii täydellä nopeudella. Työnnä sitten työkalua työkalupaleen pinnalla tasaisesti eteenpäin niin, että työkalupale pysyy leikkaamisen loppuun asti paikallaan. Pidä leikkuulinjasi suorana ja etenemisnopeutesi tasaisena.

► **Kuva11**

## KUNNOSSAPITO

**HUOMIO:** Varmista aina ennen tarkastuksia ja huoltotoimia, että työkalu on sammutettu ja irrotettu virtalähteestä.

**HUOMAUTUS:** Älä koskaan käytä bensiiniä, ohenteita, alkoholia tai tms. aineita. Muutoin pinta voi halkeilla tai sen värit ja muoto voivat muuttua. Muutoin laitteeseen voi tulla värjäytyymiä, muodon vääristymiä tai halkeamia.

## Timanttilaikan suoristaminen

Jos timanttilaikan leikkaustoiminta alkaa heikentyä, käytä poisheitettyä karkeapintaista hiomakoneen pyörää tai betoniloikkaa timanttilaikan suoristamiseen. Tee tämä lukitsemalla hiomakoneen laikka tai betoniloikka luotettavasti ja leikkaamalla siihen.

## Käytön jälkeen

Puhdista pöly työkalusta ajamalla työkalua tyhjänä jonkin aikaa. Harjaa pölykerääntymä pois pohjasta. Pölyn kerääntyminen moottoriin tai pohjaan voi aiheuttaa työkalun toimintahäiriöitä.

## Hiiliharjojen vaihtaminen

Tarkista hiiliharjat säännöllisesti.

Vaihda ne, kun ne ovat kuluneet rajamerkkiin asti. Pidä hiiliharjat puhtaina ja varmista, että ne pääsevät liukumaan vapaasti pidikkeissään. Molemmat hiiliharjat on vaihdettava yhtä aikaa. Käytä vain identtisiä hiiliharjoja.

► **Kuva12:** 1. Rajamerkki

Käytä ruuvimeisseliä harjanpidikkeen korkkien poistamiseen. Vedä pois kuluneet hiiliharjat, aseta uudet sisään ja kiinnitä harjanpidikkeen korkit.

► **Kuva13:** 1. Ruuvitaltta 2. Harjanpidikkeen korkki

Tuotteen TURVALLISUUDEN ja LUOTETTAVUUDEN takaamiseksi korjaukset, muut huoltotyöt ja säädöt on teetettävä Makitan valtuutetussa huoltopisteessä Makitan varaosia käyttäen.

## LISÄVARUSTEET

**⚠HUOMIO:** Seuraavia lisävarusteita tai laitteita suositellaan käytettäväksi tässä ohjeessa kuvatun Makita-työkalun kanssa. Muiden lisävarusteiden tai laitteiden käyttö voi aiheuttaa henkilövahinkoja. Käytä lisävarusteita ja -laitteita vain niiden käyttötarkoituksen mukaisesti.

Jos tarvitset apua tai yksityiskohtaisempia tietoja seuraavista lisävarusteista, ota yhteys paikalliseen Makitan huoltoon.

- Timanttilaikat (Kuivatyyppi)
- Kiintoavain 22
- Kuusioavain
- Ohjainkisko
- Ohjainkiskon sovitin
- Suojalasit

**HUOMAA:** Jotkin luettelossa mainitut varusteet voivat sisältyä työkalun toimitukseen vakiovarusteina. Ne voivat vaihdella maittain.

## SPECIFIKĀCIJAS

Modelis:	4100KB
Slīripas diametrs	125 mm
Maks. slīripas biezums	2,2 mm
Maks. zāģēšanas jauda	40 mm
Nominālais ātrums (n)	12 200 min <sup>-1</sup>
Kopējais garums	231 mm
Neto svars	3,0 kg
Drošības klase	□/II

- Nepārtrauktās izpētes un izstrādes programmas dēļ šeit uzrādītās specifikācijas var tikt mainītas bez brīdinājuma.
- Atkarībā no valsts specifikācijas var atšķirties.
- Svārs atbilstīgi EPTA procedūrai 01/2014

## Paredzētā lietošana

Šis darbarīks ir paredzēts iegriezumiem kļieģeļos, betonā un akmenī bez ūdens izmantošanas.

## Barošana

Darbarīks jāpievieno tikai tādām barošanas avotam, kura spriegums atbilst uz darbarīka tehnisko datu plāksnītes norādītajam, un darbarīku var izmantot tikai ar vienfāzes maiņstrāvas barošanu. Darbarīks aprīkots ar divkārošo izolāciju, tādēļ to var izmantot arī, pievienojot kontaktlīdzdai bez lezēmējuma vada.

## Darbarīks paredzēts barošanai no zemsprieguma elektrības tīkliem ar spriegumu no 220 V līdz 250 V

Pārslēdzot elektroierīces funkcijas, rodas sprieguma svārstības. Šīs ierīces darbināšana nelabvēlīgos elektro-padeves apstākļos var pasliktināt citu iekārtu darbību. Ja elektrotīkla pilnā pretestība nepārsniedz 0,37 omus, var uzskatīt, ka negatīvas ietekmes nebūs. Elektrotīkla kontaktlīdzdai, kurai ir pievienota šī ierīce, jābūt aizsargātai ar drošinātāju vai jaudas slēdzi ar izslēgšanās aizkavi.

## Trokšņa līmenis

Tipiskais A svērtais trokšņa līmenis noteikts saskaņā ar EN60745:

Skaņas spiediena līmeni ( $L_{pA}$ ): 96 dB (A)

Skaņas jaudas līmeni ( $L_{WA}$ ): 107 dB (A)

Mainīgums (K): 3 dB (A)

**▲BRĪDINĀJUMS:** Lietojiet ausu aizsargus.

## Vibrācija

Vibrācijas kopējā vērtība (trīsasu vektora summa) noteikta atbilstoši EN60745:

Darba režīms: betona griešana

Vibrācijas izmēte ( $a_{h1}$ ): 6,0 m/s<sup>2</sup>

Mainīgums (K): 1,5 m/s<sup>2</sup>

**PIEZĪME:** Paziņotā vibrācijas emisijas vērtība noteikta atbilstoši standarta pārbaudes metodei un to var izmantot, lai salīdzinātu vienu darbarīku ar citu.

**PIEZĪME:** Paziņoto vibrācijas emisijas vērtību arī var izmantot iedarbības sākotnējā novērtējumā.

**▲BRĪDINĀJUMS:** Reāli lietojot elektrisko darbarīku, vibrācijas emisija var atšķirties no paziņotās emisijas vērtības atkarībā no darbarīka izmantošanas veida.

**▲BRĪDINĀJUMS:** Lai aizsargātu lietotāju, nosakiet drošības pasākumus, kas pamatoti ar iedarbību reālos darba apstākļos (ņemot vērā visus ekspluatācijas cikla posmus, piemēram, laiku, kamēr darbarīks ir izslēgts un kad darbojas tukšgaitā, kā arī palaides laiku).

## EK atbilstības deklarācija

*Tikai Eiropas valstīm*

EK atbilstības deklarācija šajā lietošanas rokasgrāmatā ir iekļauta kā A pielikums.

## DROŠĪBAS BRĪDINĀJUMI

## Vispārīgi elektrisko darbarīku drošības brīdinājumi

**▲BRĪDINĀJUMS:** Izlasiet visus drošības brīdinājumus, instrukcijas, apskatiet ilustrācijas un tehniskos datus, kas iekļauti mehānizētā darbarīka komplektācijā. Ja netiek ievēroti visi tālāk minētie noteikumi, var tikt izraisīta elektrotrauma, notikt aizdegšanās un/vai rasties smagas traumas.

## Glabājiet visus brīdinājumus un norādījumus, lai varētu tajos ieskatīties turpmāk.

Termins „elektrisks darbarīks” brīdinājumos attiecas uz tādu elektrisko darbarīku, ko darbina ar elektrību (ar vadu), vai tādu, ko darbina ar akumulatoru (bez vada).



## Drošības brīdinājumi frēzes lietošanai

- Komplektā iekļautajam aizsargam jābūt cieši piestiprinātam pie mehānizētā darbarīka un novietotam tā, lai maksimāli gādātu par drošību un operatora virzienā būtu atsegtas mazākā ripas daļa. Izvēlieties tādu stāvokli, lai jūs un blakusstāvošie neatrastos rotējošās ripas plaknē. Aizsargs palīdz aizsargāt operatoru no salūzušas slīpripas daļām un nejaušas saskares ar slīpripu.**
- Mehānizētajam darbarīkam izmantojiet tikai dimanta griešanas ripu.** Tas vien, ka piederumu var piestiprināt mehānizētajam darbarīkam, negarantē drošu ekspluatāciju.
- Piederuma nominālajam ātrumam jābūt vismaz identiskam ar maksimālo ātrumam, kas atzīmēts uz mehānizētā darbarīka.** Piederumi, kas griežas ātrāk par nominālo ātrumu, var salūzt un tikt izsviesti.
- Slīpripas jāizmanto tikai tām paredzētajiem darbiem.** Piemēram: neslīpējiet ar griešanas ripas malu. Abrazīvās griešanas ripas paredzētas perifērai slīpēšanai, tāpēc, ja uz šīm ripām iedarbojas sānu spēks, tās var salūzt.
- Vienmēr izmantojiet nebojātus, izvēlētajai slīpīpai atbilstoša diametra ripas atlokus.** Atbilstoši slīpripas atloki balsta slīpripu, tādējādi samazinot tās salūšanas iespēju.
- Piederuma ārējam diametram un biežumam jābūt mehānizētā darbarīka jaudas robežās.** Nepareiza izmēra piederumu nav iespējams pietiekami uzmanīt vai vadīt.
- Ripu un atloku ar vārpstas atverēm lielumam jābūt atbilstošam mehānizētā darbarīka tapai.** Ripas un atloki ar vārpstas atverēm, kas neatbilst mehānizētā darbarīka stiprinājuma aprīkojumam, zaudēs centrējumu, pārmerīgi vibrēs un var izraisīt vadības zaudēšanu.
- Neizmantojiet bojātas slīpripas. Pirms katras izmantošanas reizes pārbaudiet, vai slīpīpai nav robu vai plaisu. Ja mehānizētais darbarīks vai slīpripa nokrīt, pārbaudiet, vai nav radušies bojājumi, vai arī uzstādiet nebojātu piederumu. Pēc slīpripas pārbaudes un uzstādīšanas izvēlieties atrašanās vietu sev un apkārtējiem, kas neatrastos slīpripas rotācijas plaknē, tad vienu minūti darbiniet mehānizēto darbarīku ar maksimālo bezslodzes darbības ātrumu. Bojāti piederumi šādas pārbaudes laikā parasti izjūk.**
- Izmantojiet individuālos aizsarglīdzekļus.** Atkarībā no veicamā darba valkājiet sejas aizsargu, aizsargbrilles vai brilles. Ja nepieciešams, izmantojiet putekļu masku, ausu aizsargus, cimdus un darba priekšautu, kas aiztur mazas abrazīvās vai materiāla daļas. Acu aizsardzības aprīkojumam jāspēj aizturēt lidojošus gruzus, kas rodas dažādu darbu veikšanas laikā. Putekļu maskai vai respiratoram jāaiztur darba laikā radušās daļiņas. Ilgstoši pakļaujot sevi ļoti intensīvam troksnim, var rasties dzirdes zudums.
- Gādājiet, lai apkārtējie atrastos drošā attālumā no darba vietas. Ikvienam, kas atrodas darba vietā, jāizmanto individuālie aizsarglīdzekļi.** Apstrādājamā materiāla vai salūzušas slīpripas fragmenti var tikt izsviesti un radīt traumas arī tiem, kas neatrodas tieši darba vietā.

- Strādājot turiet mehānizēto darbarīku tikai aiz izolētajām satveršanas virsmām, ja veicat darbus, kuru laikā zāģēšanas instruments varētu saskarties ar apslēptu elektroinstalāciju vai savu barošanas kabeli.** Zāģēšanas instrumentam saskaroties ar kabeli zem sprieguma, mehānizētā darbarīka metāla daļas var vadīt spriegumu un radīt operatoram elektrotraumu.
- Vadu novietojiet pēc iespējas tālāk no rotējošā piederuma.** Zaudējot vadību, kabelis var tikt sagriezts vai aizķert, un jūsu delna vai roka var tikt ierauta rotējošajā slīpīpā.
- Nekādā gadījumā mehānizēto darbarīku nedrīkst nolikt malā, pirms tas nav pavisam apstājies.** Rotējoša slīpripa var aizķert virsmu un pavilkt mehānizēto darbarīku, neļaujot jums to noturēt.
- Mehānizēto darbarīku nedrīkst darbināt, kamēr to pārnēsā.** Ja apģērbs nejausi pieskaras rotējošajam piederumam, tas var tikt satverts, iespējot piederumu miesā.
- Regulāri tīriet mehānizētā darbarīka ventilācijas atveres.** Motora ventilators ievēl putekļus korpusā, un pārmerīga pulverveida metāla uzkrāšanās var izraisīt elektrības sistēmas bojājumus.
- Mehānizēto darbarīku nedrīkst darbināt uguns-ndrošu materiālu tuvumā.** Dzirksteles var aizdedzināt šos materiālus.
- Nelietojiet tādus piederumus, kam vajadzīgi dzesēšanas šķidrumi.** Lietojot ūdeni vai citus dzesēšanas šķidrumus, var gūt nāvējošu elektrotraumu vai elektriskās strāvas triecienu.

### Atsitiens un ar to saistīti brīdinājumi

Atsitiens ir pēkšņa reakcija uz iesprūdušu vai aizķerušos rotējošo slīpripu. Iesprūšana vai aizķeršanās izraisa pēkšņu rotējošās slīpripas apstāšanos, kas saskares brīdī savukārt izraisa nevadāmu mehānizētā darbarīka grūdienu pretēji slīpripas rotācijas virzienam. Piemēram, ja abrazīvā slīpripa aizķeras vai iesprūst apstrādājamā materiālā, slīpripas mala, kas nokļūst iesprūšanas punktā, var iespiesties materiāla virsmā, liekot slīpīpai izvīrties vai atlēkt. Slīpripa saskares brīdī var izlēkt operatora virzienā vai prom no viņa atkarībā no slīpripas kustības virziena. Šādos gadījumos abrazīvās slīpripas var arī salūzt. Atsitiens rodas darbarīka nepareizas lietošanas un/vai nepareizas darbības vai apstākļu rezultātā, un no tā var izvairīties, veicot piemērotus drošības pasākumus, kā norādīts tālāk.

- Saglabājiet ciešu darbarīka tvērienu un novietojiet ķermeni un rokas tā, lai pretotos atsitienu spēkam.** Lai maksimāli kontrolētu atsitienu (edarbināšanas laikā) vai griezes momentu, vienmēr lietojiet palīgrokturi, ja tāds ir. Operators var savaldīt griezes momenta reakciju vai atsitienu spēku, ja veic atbilstošus piesardzības pasākumus.
- Nekad nevietojiet roku rotējošā piederuma tuvumā.** Piederums var radīt atsitienu, trāpot rokai.
- Neostājieties vienā līnijā ar rotējošo slīpripu.** Atsitiens saskares brīdī pārvieto darbarīku slīpripas kustībai pretējā virzienā.
- Īpaši uzmanieties, apstrādājot stūrus, asas malas u. c. Neļaujiet piederumam atlēkt un aizķerties.** Stūri, asas malas vai atlēcieni mēdz saķert rotējošo piederumu un izraisīt kontroles zaudēšanu pār darbarīku vai atsitienu.

5. Nepiestipriniet zāģa ķēdi, kokgriešanas asmeni, segmentētu dimanta ripu ar aploces rievu, kas lielāka par 10 mm, vai zobaino zāģa asmeni. Šādi asmeņi izraisa biežus atsitienu un kontroles zaudēšanu.
6. Neļaujiet slīpīpai iesprūst; neizmantojiet pārmērīgu spiedienu. Negrieziet pārāk dziļi. Slīpripas pārslugošana palielina slodzi, ripas savērpsānos vai iekēršanos griezumā un atsitienu, kā arī slīpripas salūšanas iespējamību.
7. Ja slīpripa aizķeras vai kāda iemesla dēļ tiek pārtraukta griešana, izslēdziet mehānizēto darbarīku un turiet to nekustīgi, līdz slīpripa pilnībā apstājas. Nekad nemēģiniet izņemt slīpripu no griezumā, kamēr slīpripa vēl griežas, citādi var rasties atsitiens. Pārbaudiet un veiciet attiecīgus pasākumus, lai novērstu slīpripas aizķeršanās cēloņus.
8. Neatsāciet griešanu, darbarīkam atrodoties apstrādājamā materiālā. Ļaujiet slīpīpai sasniegt pilnu ātrumu un tad vēlreiz uzmanīgi ievietojiet to griezumā. Slīpripa var aizķerties, izvirzīties augšup vai atlēkt, ja mehānizēto darbarīku atkal iedarbina laikā, kamēr tas atrodas apstrādājamajā virsmā.
9. Atbalstiet paneļus un visus lielos apstrādājamos materiālus, lai samazinātu slīpripas iesprūšanas un atsitienu bīstamību. Lielī apstrādājami materiāli bieži vien ieliecās sava svara dēļ. Balsti jānovieto abās slīpripas pusēs zem apstrādājamās virsmas, griezumā līnijas tuvumā un tuvu apstrādājamās virsmas malai.
10. Esiet īpaši uzmanīgs, veicot „nišas griezumus” jau esošajās sienās vai citās aizsegšanās vietās. Caururbjošā slīpripa var pārgriezt gāzes vai ūdens caurules, elektrības vadus vai priekšmetus, kas var izraisīt atsitienu.
11. Pirms segmentētas dimanta ripas izmantošanas pārbaudiet, vai dimanta ripas aploces rievā starp segmentiem ir 10 mm vai mazāka, tikai ar negatīvu slīpuma leņķi.

#### Papildu drošības brīdinājumi:

1. Nekādā gadījumā negrieziet, ja darbarīks skrūvspīlēs ir apgriezts otrādi. Tādējādi var izraisīt smagus negadījumus, jo šāda rīcība ir ļoti bīstama.
2. Daži materiāli satur ķīmiskas vielas, kas var būt toksiskas. Izvairieties no putekļu ieelpošanas un neļaujiet tiem nokļūt uz ādas. Ievērojiet materiāla piegādātāja drošības datus.
3. Glabājiet slīpripas saskaņā ar ražotāja ieteikumiem. Nepareizi uzglabājot, slīpripas var sabojāt.

## SAGLABĀJIET ŠOS NORĀDĪJUMUS.

**▲BRĪDINĀJUMS:** NEPIELĀUJIET to, ka labu iemaņu vai izstrādājuma labas pārzināšanas (darbarīku atkārtoti ekspluatējot) rezultātā vairs stingri neievērojat šī izstrādājuma drošības noteikumus. NEPAREIZI LIETOJOT darbarīku vai neievērojot šajā instrukciju rokasgrāmatā minētos drošības noteikumus, var tikt gūtas smagas traumas.

## FUNKCIJU APRAKSTS

**▲UZMANĪBU:** Pirms regulējat vai pārbaudāt darbarīka darbību, vienmēr pārliecinieties, ka darbarīks ir izslēgts un atvienots no barošanas.

### Griezumā dziļuma regulēšana

**▲UZMANĪBU:** Pēc frēzēšanas dziļuma noregulēšanas vienmēr cieši pievelciet sviru.

Atļaidiet dziļuma vadīklas sviru un pamatni pārvietojiet uz augšu vai uz leju. Pamatni nostipriniet vēlamajā zāģēšanas dziļumā, pievelkot sviru.

Lai zāģēšana būtu tīrāka un drošāka, uzstādiet zāģēšanas dziļumu tā, lai dimanta ripa būtu izvērzīta ne vairāk kā 2 mm zem apstrādājamā materiāla. Izmantojot pareizi zāģēšanas dziļumu, iespējams samazināt bīstamus ATSITIENUS, kas var radīt traumas.

► **Att. 1:** 1. Svira

### Mērķēšana

Salāgojiet pamatnes priekšpusē malu ar griešanas līniju uz apstrādājamā materiāla.

► **Att. 2**

### Slēdža darbība

**▲UZMANĪBU:** Pirms darbarīka pieslēgšanas vienmēr pārbaudiet, vai slēdža mēlīte darbojas pareizi un atlaista atgriežas stāvoklī „OFF” (izslēgts).

► **Att. 3:** 1. Slēdža mēlīte 2. Bloķēšanas poga/atbloķēšanas poga

### Darbarīkam ar bloķēšanas pogu

**▲UZMANĪBU:** Slēdzi var ieslēgt “ON” (ieslēgts) stāvoklī, lai atvieglotu operatora darbu ilgstoša darba laikā. Esiet uzmanīgi, ieslēdzot darbarīku “ON” (ieslēgts) stāvoklī, un turpiniet cieši turēt darbarīku.

Lai ieslēgtu darbarīku, pavelciet slēdža mēlīti. Lai apturētu darbarīku, atļaidiet slēdža mēlīti. Lai darbarīks darbotos nepārtraukti, pavelciet slēdža mēlīti un nospiediet bloķēšanas pogu, pēc tam atļaidiet slēdža mēlīti. Lai apturētu darbarīku, kad slēdzis ir bloķēts, pievelciet mēlīti līdz galam, tad atļaidiet to.

### Darbarīkam ar atbloķēšanas pogu

Lai nepieļautu slēdža mēlītes nejaušu pavilkšanu, darbarīks ir aprīkots ar bloķēšanas pogu. Lai darbarīku iedarbinātu, nospiediet atbloķēšanas pogu un nospiediet slēdža mēlīti. Lai apturētu darbarīku, atļaidiet slēdža mēlīti.

**⚠BRĪDINĀJUMS:** NEKAD nelietojiet darbarīku, ja tas ieslēdzas, tikai pavelkot slēdža mēlīti un nenospiežot atbloķēšanas pogu. Slēdzis, ko nepieciešams labot, var izraisīt neparedzētu darbību un radīt nopietnus ievainojumus. PIRMS turpmākas ekspluatācijas nododiet darbarīku Makita apkopes centrā, lai to atbilstīgi saremontētu.

**⚠BRĪDINĀJUMS:** NEKAD neizjauciet atbloķēšanas pogu, to neaplīmējiet un citādāk nepārveidojiet. Slēdzis ar izjauktu atbloķēšanas pogu var izraisīt neparedzētu darbību un radīt smagas traumas.

**⚠UZMANĪBU:** Nevelciet slēdža mēlīti ar spēku, neiespiežot atbloķēšanas pogu uz iekšu. Rezultātā var tikt sabojāts slēdzis.

## MONTĀŽA

**⚠UZMANĪBU:** Vienmēr pārliecinieties, ka darbarīks ir izslēgts un atvienots no barošanas, pirms veicat jebkādas darbības ar darbarīku.

### Sešstūru uzgriežņu atslēgas uzglabāšana

Kad sešstūrveida uzgriežņu atslēga netiek lietota, glabājiet to, kā parādīts, lai atslēgu nepazaudētu.

► **Att.4:** 1. Sešstūru uzgriežņu atslēga

### Dimanta ripas noņemšana vai uzstādīšana

**⚠UZMANĪBU:** NOTEIKTI CIEŠI PIEVELCIET SEŠSTŪRU GALVAS SKRŪVI. Tāpat uzmanieties, lai nepievilktu skrūvi ar pārmērīgu spēku. Rokas noslīdēšana no sešstūru uzgriežņu atslēgas var radīt traumu.

**⚠UZMANĪBU:** Slīpripas uzstādīšanai vai noņemšanai izmantojiet tikai „Makita” uzgriežņu atslēgu un sešstūru uzgriežņu atslēgu.

Ar uzgriežņatslēgu turiet ārējo atloku un ar sešstūru uzgriežņatslēgu atskrūvējiet sešstūru bulskrūvi. Pēc tam izņemiet sešstūru bulskrūvi, ārējo atloku un dimanta ripu.

► **Att.5:** 1. Sešstūru uzgriežņatslēga 2. Sešstūru galvas bulskrūve 3. Uzgriežņatslēga Nr. 22 4. Atskrūvēt 5. Pievelciet

Lai uzstādītu dimanta ripu, noņemšanas darbības jāizpilda pretējā secībā. Vienmēr uzstādiat ripu tā, lai bultīņa uz dimanta ripas būtu vērsta uz to pašu pusi, uz kuru ir vērsta bultīņa uz ierīces korpusa.

► **Att.6:** 1. Sešstūru galvas bulskrūve 2. Ārējais atloks 3. Dimanta ripa 4. Iekšējais atloks 5. Bļodveida starplika

## Putekļu maiss

Lietojot putekļu maisu, zāģēšanas laikā nerodas putekļi, jo tie pavisam vienkārši tiek savākti. Lai uzstādītu putekļu maisu, uzlieciet to uz putekļu caurules.

► **Att.7:** 1. Putekļu maiss 2. Putekļu caurule

Putekļu caurules kakls ir viegli pagriežams. Novietojiet putekļu maisu tā, lai varētu ērti izmantot darbarīku.

► **Att.8**

Kad putekļu maiss ir aptuveni līdz trešdajai piepildīts, noņemiet to nost no darbarīka un stiprinājumu izspiediet ārā. Iztukšojiet putekļu maisa saturu, viegli pa to pasitot, lai atdalītu iekšpusē pielipušās daļiņas, kas varētu traucēt putekļu savākšanai.

► **Att.9:** 1. Stiprinājums

## Putekļu sūcēja pievienošana

Ja vēlaties tīru zāģējumu, darbarīkam pievienojiet „Makita” putekļsūcēju.

► **Att.10:** 1. Putekļu sūcēja šūtene 2. Putekļu caurule

## EKSPLUATĀCIJA

**⚠UZMANĪBU:** ŠO DARBARĪKU DRĪKST IZMANTOT TIKAI UZ HORIZONTĀLĀM VIRSMĀM.

**⚠UZMANĪBU:** Pārliecinieties, ka darbarīks virzītās uz priekšu taisnā līnijā. Pārmērīgs spēks vai spiediens uz darbarīka, kā arī slīpripas liekšana vai saspiešana griezumā var izraisīt motora pārkarsēšanu un bīstamu darbarīka atsitenu.

Darbarīku turiet cieši. Uzstādiat pamatnes plāksni uz apstrādājamā materiāla, dimanta ripai nepieskaroties materiālam. Tad ieslēdziet darbarīku un nogaidiet, līdz dimanta ripa sasniedz pilnu griešanās ātrumu. Tad virziet darbarīku uz priekšu pāri apstrādājamā materiāla virsmai, turot to vienmērīgi piespiestu, un vienmērīgi virzoties uz priekšu, līdz griezumam ir pabeigts. Uzturiet griezumam līniju taisnu un virzības ātrumu – vienmērīgu.

► **Att.11**

## APKOPE

**⚠UZMANĪBU:** Pirms veikt pārbaudi vai apkopi, vienmēr pārliecinieties, ka darbarīks ir izslēgts un atvienots no barošanas.

**IEVĒRĪBAI:** Nekad neizmantojiet gazoilnu, benzīnu, atšķaidītāju, spirtu vai līdzīgus šķidrumus. Tas var radīt izbalēšanu, deformāciju vai plaisas.

## Dimanta ripas izlīdzināšana

Ja dimanta ripas darbība sāk pasliktināties, izlīdziniet to ar vecu un nolietotu raupja smilšpapīra slīpmašīnas ripu vai betona bloku. Lai to paveiktu, cieši piestipriniet slīpmašīnas ripu vai betona bloku un iegrieziet tajā.

## Pēc lietošanas

Iztīriet darbarīka iekšpusē esošos neīrumus, kādu laiku darbinot to tukšgaitā. Ar suku notīriet pamatnē uzkrājušos neīrumus. Ja motorā vai uz pamatnes būs uzkrājušies neīrumi, darbarīks var sākt darboties nepareizi.

## Ogles suku nomaiņa

Regulāri pārbaudiet ogles suku. Kad ogles suku ir nolietojušās līdz robežas atzīmei, nomainiet tās. Turiet ogles suku tīras un pārbaudiet, vai tās brīvi ievietojas turētājos. Abas ogles suku jānomaina vienlaikus. Izmantojiet tikai identiskas ogles suku.

► **Att.12:** 1. Robežas atzīme

Lai noņemtu suku turētāja vāciņus, izmantojiet skrūvgriezi. Izņemiet nolietoto ogles suku, ievietojiet jaunas un nostipriniet suku turētāja vāciņus.

► **Att.13:** 1. Skrūvgriezis 2. Suku turētāja vāciņš

Lai saglabātu izstrādājuma DROŠU un UZTICAMU darbību, remontdarbus, apkopi un regulēšanu uzticiet veikt tikai Makita pilnvarotam vai rūpnīcas apkopes centram, un vienmēr izmantojiet tikai Makita rezerves daļas.

## PAPILDU PIEDERUMI

**⚠UZMANĪBU:** Šādi piederumi un papildierīces tiek ieteiktas lietošanai ar šajā rokasgrāmatā aprakstīto Makita darbarīku. Izmantojot citus piederumus vai papildierīces, var tikt radīta trauma gūšanas bīstamība. Piederumu vai papildierīci izmantojiet tikai paredzētajam mērķim.

Ja jums vajadzīga palīdzība vai precīzāka informācija par šiem piederumiem, vērsieties savā tuvākajā Makita apkopes centrā.

- Dimanta ripas (sausā tipa)
- Uzgriežņatslēga Nr. 22
- Sešstūra atslēga
- Vadsliede
- Vadsliedes pāreja
- Aizsargbrilles

**PIEZĪME:** Daži sarakstā norādītie izstrādājumi var būt iekļauti instrumenta komplektācijā kā standarta piederumi. Tie dažādās valstīs var būt atšķirīgi.

## SPECIFIKACIJOS

<b>Modelis:</b>	<b>4100KB</b>
Disko skersmuo	125 mm
Didž. disko storis	2,2 mm
Maks. pjovimo galia	40 mm
Vardinis greitis (n)	12 200 min <sup>-1</sup>
Bendrasis ilgis	231 mm
Grynasis svoris	3,0 kg
Saugos klasė	II/III

- Atliekame testinius tyrimus ir nuolatos tobuliname savo gaminius, todėl čia pateikiamos specifikacijos gali būti keičiamos be įspėjimo.
- Skirtingose šalyse specifikacijos gali skirtis.
- Svoris pagal EPTA 2014 m. sausio mėn. procedūrą

## Numatytoji naudojimo paskirtis

Šis įrankis skirtas plytoms, betonui ir akmenims pjauti, nenaudojant vandens.

## Elektros energijos tiekimas

Įrenginiui turi būti tiekiami tokios įtampos elektros energija, kaip nurodyta duomenų lentelėje; įrenginys veikia tik su vienfazė kintamąja srove. Jie yra dvigubai izoliuoti, todėl gali būti naudojami prijungus prie elektros lizdo be išeminio laido.

## Viešosios žemos įtampos skirstymo sistemoms (nuo 220 iki 250 V)

Perjungiant elektrinio įrenginio operacijas įtampa gali svyruoti. Šio įrenginio naudojimas nepalankiomis elektros tinklo sąlygomis gali daryti įtaką kitos įrangos darbui. Kai pilnutinė jėgimo varža yra lygi ar mažesnė negu 0,37 omų, galima manyti, kad nebus jokio neigiamo poveikio. Šiam įrankiui naudojamas elektros tinklo lizdas turi būti apsaugotas saugikliu arba apsauginiu grandinės nutraukikliu, pasižyminčiu lėto suveikimo charakteristika.

## Triukšmas

Įprastas triukšmo A lygis, nustatytas pagal EN60745: Garso slėgio lygis ( $L_{pA}$ ): 96 dB (A)  
Garso galios lygis ( $L_{WA}$ ): 107 dB (A)  
Paklaida (K): 3 dB (A)

**ĮSPĖJIMAS:** Dėvėkite ausų apsaugą.

## Vibracija

Vibracijos bendroji vertė (triaušo vektoriaus suma) nustatyta pagal EN60745 standartą:  
Darbo režimas: betono pjovimas  
Vibracijos emisija ( $a_{hv}$ ): 6,0 m/s<sup>2</sup>  
Paklaida (K): 1,5 m/s<sup>2</sup>

**PASTABA:** Paskelbtasis vibracijos emisijos dydis nustatytas pagal standartinį testavimo metodą ir jį galima naudoti vienam įrankiui palyginti su kitu.

**PASTABA:** Paskelbtasis vibracijos emisijos dydis taip pat gali būti naudojamas preliminariai įvertinti vibracijos poveikį.

**ĮSPĖJIMAS:** Faktiškai naudojant elektrinį įrankį, keliamos vibracijos dydis gali skirtis nuo paskelbto dydžio, priklausomai nuo būdų, kuriais yra naudojamas šis įrankis.

**ĮSPĖJIMAS:** Siekdami apsaugoti operatorių, būtina įvertinkite saugos priemones, remdamiesi vibracijos poveikio įvertinimu esant faktinėms naudojimo sąlygoms (atsižvelgdami į visas darbo ciklo dalis, pavyzdžiui, ne tik kiek laiko įrankis veikia, bet ir kiek kartų jis yra išjungiamas bei kai jis veikia be apkrovų).

## EB atitikties deklaracija

## Tik Europos šalims

EB atitikties deklaracija yra pridėdama kaip šio instrukcijų vadovo A priedas.

## SAUGOS ĮSPĖJIMAI

## Bendrieji įspėjimai dirbant elektriniais įrankiais

**ĮSPĖJIMAS:** Perskaitykite visus saugos įspėjimus, instrukcijas, iliustracijas ir techninius duomenis, pateiktus kartu su šiuo elektriniu įrankiu. Nesilaikant visų toliau išvardytų instrukcijų galima patirti elektros smūgį, gali kilti gaisras ir (arba) galima sunkiai susižaloti.

# Įsiraugokite visus įspėjimus ir instrukcijas, kad galėtumėte jas peržiūrėti ateityje.

Terminas „elektrinis įrankis“ pateiktuose įspėjimuose reiškia į maitinimo tinklą jungiamą (laidinį) elektrinį įrankį arba akumuliatoriaus maitinamą (beleidį) elektrinį įrankį.

## Saugos įspėjimai naudojant pjaustytuvą

1. **Norint užtikrinti maksimalią saugą, pateiktą apsauginį skydą privaloma tvirtai pritvirtinti prie elektrinio įrankio, kad būtų neuždenyta minimali disko dalis. Operatorius ir pašaliniai asmenys turi būti atokiai nuo besisukančio disko pokštumos. Apsauga padeda apsaugoti operatorių nuo atskilusių disko dalių ir netyčinio sąlyčio su disku.**
2. **Elektriniam įrankiui naudokite tik deimantinių pjovimo diską. Vien tai, kad priedą galima sumontuoti ant elektrinio įrankio, nereiškia, kad jis užtikrina saugų darbą.**
3. **Nominalusis priedo greitis turi būti bent jau lygus maksimaliam greičiui, nurodytam ant elektrinio įrankio. Priedai, kurie veikia greičiau už vardinį greitį, gali sulūžti ir atsiskirti.**
4. **Diskai turi būti naudojami tik pagal rekomenduojamą paskirtį. Pavyzdžiui, nešlifukokite nupjovimo disko šonu. Šlifuojantys nupjovimo diskai yra skirti periferiniam šlifavimui, todėl diskus veikiančios šoninės jėgos juos gali suskaldyti.**
5. **Visada naudokite tik nesugadintas diskų junges, kurių skersmuo tinkamas pasirinktam diskui. Tinkamos diskų jungės prilaiko diską, mažindamos disko trūkimo tikimybę.**
6. **Priedo išorinis skersmuo ir storis turi atitikti elektrinio įrankio pajėgumo kategoriją. Netinkamo dydžio priedų negalima tinkamai apsaugoti skydais ar valdyti.**
7. **Diskų ir jungių įspraudinių angų dydis turi tiksliai atitikti elektrinio įrankio ašį dydį. Naudojami diskai ir jungės su įspraudinėmis angomis, kurių dydis neatitinka elektrinio prietaiso dalių, prie kurių jie montuojami, dydžio, išbalansuos įrankį, sukels pernelyg didelę vibraciją, todėl kyla pavojus prarasti įrankio valdymą.**
8. **Nenaudokite pažeistų diskų. Kiekvieną kartą prieš pradėdami naudoti diskus, patikrinkite, ar juose nėra nuolaužų ir įtrūkimų. Jeigu elektrinis įrankis arba diskas buvo numestas, patikrinkite, ar nėra pažeidimų arba naudokite nepažeistą diską. Patikrinę ir sumontavę diską, patys būkite ir aplinkiniams nurodykite būti toliau nuo besisukančio disko pokštumos ir paleiskite įrankį veikti didžiausiu nulinės apkrovos greičiu 1 minutę. Paprastai sugadinti diskai tokio patikrinimo metu suskyla.**
9. **Naudokite asmeninės apsaugos priemones. Priklausomai nuo pritaikymo, naudokite apsauginį veido skydelį arba apsauginius akinius. Kaip pridera, dėvėkite puskaukę nuo dulkių, klausos apsaugą, pirštines ir dirbtuvės prijuostę, sulaikančią smulkius abrazyvus ar ruošinio skeveldras. Akių apsauga turi sulaikyti skriejančias nuolaužas, susidariusias įvairių operacijų metu. Apsaugos nuo dulkių kaukė arba respiratorius turi filtruoti darbo metu susidariusias dalelytes. Dėl intensyvaus ilgalaikio triukšmo galima prarasti klausą.**

10. **Stebintiesi turi būti toliau nuo darbo vietos. Kiekvienas, užeinantis į darbo vietą, turi dėvėti asmeninę apsaugos aprangą. Ruošinio ar sulūžusio disko skeveldros gali nuskrieti toliau ir sužeisti asmenis, esančius už darbinės zonos.**
11. **Atlikdami darbus, kurių metu pjovimo antgalis galėtų užkliudyti nematomą laidą arba savo paties laidą, laikykite elektrinius įrankius tik už izoliuotų paviršių. Pjovimo antgaliai prisilietus prie laido, kuriuo teka elektros srovė, neizoliuotos metalinės elektrinio įrankio dalys gali sukelti elektros smūgį ir nutrenkti operatorių.**
12. **Saugiai atitraukite laidą nuo greitai besisukančio priedo. Jei netektumėte kontrolės, galite perkirsti ar užkliudyti laidą, o jūsys paštaką arba ranką gali įtraukti greitai besisukantis diskas.**
13. **Niekada nepadėkite šio elektrinio įrankio, kol jo priedas nėra visiškai sustojęs. Greitai besisukantis diskas gali užkabinti paviršių ir jūs galite nebesuvaldyti elektrinio įrankio.**
14. **Nešant įrankį prie savo šono, jis turi būti išjungtas. Greitai besisukantis priedas gali atsiktinai užkabinti jūsų drabužius ir jus sužaloti.**
15. **Reguliariai išvalykite elektrinio įrankio oro ventiliacijos angas. Varkilio ventiliatorius traukia dulkes į korpuso vidų ir dėl per didelių metalo dulkių sankaupų gali kilti su elektros įranga susijęs pavojus.**
16. **Nenaudokite elektrinio įrankio būdami netoliese degiųjų medžiagų. Nuo kibirkščių degiosios medžiagos gali užsidegti.**
17. **Nenaudokite priedų, kuriems reikalingi skysti aušalai. Naudojant vandenį ar kitą skystį gali ištikti mirtina elektros trauma ar elektros smūgis.**

### Atatranka ir su ja susiję įspėjimai

Atatranka yra staigi reakcija į besisukančio disko sugnybimą arba užstrigimą. Suspaudimas arba sugriebimas sukelia staigų besisukančio disko sulaikymą, dėl kurio nevaldomas elektrinis įrankis sulaikymo taške verčiamas judėti priešinga disko sukimosi kryptimi. Pavyzdžiui, jeigu šlifavimo diską suspaudžia ruošinys, disko kraštas, kuris patenka į suspaudimo tašką, gali įsikirsti į medžiagos paviršių ir dėl to diskas atsöks. Diskas gali atsokti į operatorių arba nuo jo; tai priklauso nuo disko sukimosi krypties suspaudimo metu. Šlifavimo diskas tokiomis sąlygomis gali ir sulūžti.

Atatranka yra piktnaudžiavimo elektriniu įrankiu ir (arba) netinkamų darbo procedūrų ar sąlygų rezultatas, jos galima išvengti vadovaujantis toliau nurodytomis atsargumo priemonėmis.

1. **Tvirtai laikykite elektrinį įrankį ir stovėkite taip, kad jūsų kūnas bei ranka netrukdytų priešintis atatrankos jėgoms. Visada naudokite papildomą rankeną, jei tokia yra, kad įjungimo metu galėtumėte maksimaliai valdyti atatranką ar sukamojo momento reakcijas. Operatorius gali valdyti sukamojo momento reakciją bei atatrankos jėgą, jei imasi atitinkamų atsargumo priemonių.**
2. **Niekada nelaikykite rankos šalia besisukančio priedo. Priedas gali atsitrenkti į jūsų ranką.**
3. **Nestovėkite vienoje eilėje su besisukančiu disku. Atatranka pastums įrankį priešinga disko sukimosi kryptimi suspaudimo taške.**

4. Ypač saugokitės apdirbdami kampus, aštrius kraštus ir pan. Stenkitės priedo nesutrenkti ir neužkliudyti. Besisukantis priedas gali užsikabinti ar atsitrengti į kampus, aštrius kraštus ir sukelti atatranką, o dėl to galima nebesuvaldyti įrankio.
5. Nenaudokite pjūklų grandinės, medžio raizymo disko, segmentuoto deimantinio disko, jeigu šoninis tarpelis yra didesnis nei 10 mm, arba dantyto pjovimo disko. Tokie diskai dažnai sukelia atatranką ir įrankio suvaldymo problemų.
6. Nespauskite disko ir nenaudokite pernelyg didelio slėgio. Nemėginkite atlikti pernelyg gilių pjūvių. Per stipriai spaudžiant, padėdija apkrova ir disko persikreipimo ar užstrigimo pjūvyje tikimybė bei atatrankos ar disko lūžimo galimybė.
7. Kai diskas užstrigo arba kai pjovimas dėl kitų priežasčių nutraukiamas, išjunkite elektrinį įrankį ir nejudinkite jo, kol diskas visiškai nenustos sukstis. Niekada nebandykite besisukančio disko traukti iš pjūvio, nes gali susidaryti atatranka. Išstirkite ir imkitės tinkamų veiksmų, kad pašalintumėte disko užstrigimo priežastį.
8. Nepradėkite iš naujo pjauti, kai diskas ruošinyje. Leiskite, kad diskas pasiektų visą greitį ir tik tada atsargiai įleiskite jį į pjūvį. Diskas gali įstrigti, iššokti arba atsokti, jeigu elektrinis įrankis bus iš naujo paleistas diskui esant ruošinyje.
9. Plokštes ar kitus per didelio dydžio ruošinius paremkite ir taip sumažinkite pavojų, kad diskas bus suspaustas ir atsoks. Dideli ruošiniai linksta dėl savo pačių svorio. Ruošinį reikia paremti iš abiejų disko pusių, šalia pjovimo linijos ir prie ruošinio krašto.
10. Ypač būkite atsargūs įpjaudami sienas arba kitas aklines vietas. Atsikisęs diskas gali prapjauti dujų ar vandens vamzdžius, elektros laidus arba objektus, kurie gali sukelti atatranką.
11. Prieš naudodami segmentuotą deimantinį diską, įsitikinkite, ar periferiniai tarpeliai tarp deimantinio disko segmentų yra 10 mm arba mažesni, tik neigiamo nuolydžio kampo.

#### Papildomi saugos įspėjimai:

1. Nemėginkite pjauti įrankiu, apvertę jį spaustuvoje. Tai ypač pavojinga, todėl galima sunkiai susižeisti.
2. Kai kuriose medžiagose gali būti nuodingų chemikalų. Saugokitės, kad neįkvėptumėte dulkių ir nesiliestumėte oda. Laikykitės medžiagų tiekėjo saugos duomenų.
3. Saugokite diskus, atsižvelgdami į gamintojo rekomendacijas. Netinkamai saugojant diskus, jie gali būti sugadinti.

## SAUGOKITE ŠIAS INSTRUKCIJAS.

**ĮSPĖJIMAS:** NELEISKITE, kad patogumas ir gaminio pažinimas (įgyjamas pakartotinai naudojant) susilpnintų griežtą saugos taisyklių, taikytinų šiam gaminiui, laikymąsi. Dėl NETINKAMO NAUDOJIMO arba saugos taisyklių, kurios pateiktos šioje instrukcijoje, nesilaikymo galima rimtai susižeisti.

## VEIKIMO APRAŠYMAS

**ĮSPĖJIMAS:** Prieš pradėdami reguliuoti arba tikrinti įrankio veikimą, visuomet būtina išjungite įrankį ir atjunkite jį nuo maitinimo tinklo.

### Pjovimo gylio reguliavimas

**ĮSPĖJIMAS:** Nustatę pjovimo gylių, visada patikimai užtvirtinkite svirtelę.

Atlaisvinkite ant gylio kreiptuvo esančią svirtelę ir slinkite pagrindą aukštyn arba žemyn. Nustatę norimą pjovimo gylių, užtvirtinkite pagrindą, užverždami svirtelę. Norėdami pjauti švariau ir saugiau, nustatykite tokį pjovimo gylių, kad deimantinis diskas už ruošinio kyšotų 2 mm ar mažiau. Tinkamo pjovimo gylio pasirinkimas padeda sumažinti galimą ATATRANKOS pavojų, dėl kurios galima susižeisti.

► Pav.1: 1. Svirtis

### Nutaikeymas

Sulyginkite pagrindo priekio kraštą su pjovimo linija, pažymėta ant ruošinio.

► Pav.2

### Jungiklio veikimas

**ĮSPĖJIMAS:** Prieš jungdami įrenginį visada patikrinkite, ar svirtinis gaidukas gerai įsijungia, o atleistas grįžta į padėtį OFF (išjungta).

► Pav.3: 1. Gaidukas 2. Fiksavimo mygtukas / atlaisvinimo mygtukas

### Įrankiams su fiksavimo mygtuku

**ĮSPĖJIMAS:** Kai įrankis naudojamas ilgą laiką tarp, operatoriaus patogumui jungiklį galima užfiksuoti „ON“ (įjungta) padėtyje. Būkite atsargūs, užfiksuodami įrankį „ON“ padėtyje ir tvirtai laikykite įrankio rankeną.

Jei norite paleisti įrankį, tiesiog patraukite jungiklį. Norėdami išjungti, atleiskite svirtinį gaiduką. Kad įrenginys neišsijungtų, reikia patraukti jungiklio gaiduką ir paspausti fiksavimo mygtuką, paskui atleisti jungiklio gaiduką. Įrankiui sustabdyti, iš fiksuotos padėties paspauskite gaiduką iki galo, tada atleiskite jį.

### Įrankiui su atlaisvinimo mygtuku

Fiksavimo svirtelė yra skirta apsaugoti gaiduką nuo atsitiktinio paspaudimo. Norėdami įjungti įrankį, spauskite atlaisvinimo mygtuką ir patraukite svirtinį gaiduką. Norėdami išjungti, atleiskite svirtinį gaiduką.

**⚠️ JSPĖJIMAS:** NIEKADA nenaudokite veikiančio įrankio, jeigu nuspaudėte tik gaiduką, nenuspaudę atlaisvinimo mygtuko. Jungiklis, kurį reikia taisyti, gali netyčia įjungti įrankį ir operatorius gali būti sunkiai sužeistas. PRIEŠ pradėdami vėl naudoti įrankį, atiduokite jį suremontuoti į „Makita“ techninės priežiūros centrą.

**⚠️ JSPĖJIMAS:** NIEKADA neužklijuokite atlaisvinimo mygtuko lipnia juostele ir nepanaikinkite jo funkcijos kitomis priemonėmis. Jungiklis su užblokuotu atlaisvinimo mygtuku gali netyčia įjungti įrankį ir operatorius gali būti sunkiai sužeistas.

**⚠️ PERSPĖJIMAS:** Negalima stipriai spausti jungiklio gaiduko, nenuspaudus atlaisvinimo mygtuko. Taip galima sugadinti jungiklį.

## SURINKIMAS

**⚠️ PERSPĖJIMAS:** Prieš ką nors darydami su įrankiu, visada patikrinkite, ar jis išjungtas, o laido kištukas ištrauktas iš elektros lizdo.

## Šešiabriaunio veržliarakčio laikymas

Nenaudojamą šešiabriaunį veržliarakčį laikykite taip, kaip parodyta paveikslėlyje, kad nepažeistumėte.

► **Pav.4:** 1. Šešiakampis veržliaraktis

## Deimantinio disko uždėjimas ir nuėmimas

**⚠️ PERSPĖJIMAS:** BŪTINAI TVIRTAI PRIVERŽKITE ŠEŠIAKAMPĮ VARŽTĄ. Tačiau neveržkite varžto per jėgą. Nuslydus rankai nuo šešiakampio veržliarakčio galima susižaloti.

**⚠️ PERSPĖJIMAS:** Montuodami ar nuimdami diską naudokite tik „MAKITA“ veržliarakčį ir šešiakampį veržliarakčį.

Laikydami išorinę jungę galiniu raktu, šešiakampiu veržliarakčiu atsukite šešiakampį varžtą. Tada ištraukite varžtą šešiabriaune galvute, nuimkite išorinę jungę ir deimantinį diską.

► **Pav.5:** 1. Šešiakampis veržliaraktis 2. Šešiakampis varžtas 3. 22-as veržliaraktis 4. Atlaisvinti 5. Priveržti

Jei norite sumontuoti deimantinį diską, vykdykite nuėmimo procedūrą atvirkščia tvarka. Deimantinį diską visuomet dėkite taip, kad ant jo pažymėta rodyklė būtų nukreipta ant pavarų korpuso esančios rodyklės kryptimi.

► **Pav.6:** 1. Šešiakampis varžtas 2. Išorinė jungė 3. Deimantinis diskas 4. Vidinė jungė 5. Dangtelio poveržė

## Dulkių maišelis

Naudojant dulkių maišelį, pjovimo darbai yra švarūs, o dulkes lengva surinkti. Norėdami pritvirtinti dulkių maišelį, užmaukite jį ant dulkių išleidžiamosios angos.

► **Pav.7:** 1. Dulkių maišelis 2. Dulkių išleidžiamoji anga

Dulkių išleidžiamosios angos kakliukas laisvai sukasi. Įdėkite dulkių maišelį taip, kad įrankį galėtumėte naudoti patogiai.

► **Pav.8**

Kai dulkių maišelis pripildomas maždaug trečdajį, nuimkite jį nuo įrankio ir ištraukite tvirtinimo elementą. Išpilkite dulkių maišelio turinį, lengvai jį patapšnodami, kad nukristų visos prie vidinių sienelių prilipusios dalelės, kurios galėtų kliudyti toliau surinkti dulkes.

► **Pav.9:** 1. Tvirtinimo elementas

## Vakuuminio valymo įrenginio prijungimas

Kai norite švariai nupjauti, prie savo įrankio prijunkite „Makita“ vakuuminį valymo įrenginį.

► **Pav.10:** 1. Vakuuminio valymo įrenginio žarna 2. Dulkių išleidžiamoji anga

## NAUDOJIMAS

**⚠️ PERSPĖJIMAS:** Šį įrankį reikia naudoti horizontaliems paviršiams.

**⚠️ PERSPĖJIMAS:** Atsargiai tiesiai traukite įrankį į priekį. Jei naudojama jėga ar per didelis spaudimas, leidžiama diskui linkti, jį spausti ar sukti įpjovoje, variklis gali perkaisti ir įrankį veikti atitranka.

Tvirtai laikykite įrankį. Padėkite įrankį pagrindu ant norimo pjauti ruošinio taip, kad deimantinis diskas ruošinio neliestų. Įjunkite įrankį ir palaukite, kol deimantinis diskas pradės sukstis visu greičiu. Dabar tiesiog stumkite įrankį ruošinio paviršiumi į priekį, laikydami lygiai ir tolygiai stumdami, kol baigsite pjauti. Pjaukite tiesia linija, vienodu greičiu.

► **Pav.11**

## TECHNINĖ PRIEŽIŪRA

**⚠️ PERSPĖJIMAS:** Prieš pradėdami įrankio tikrinimo arba techninės priežiūros darbus, visuomet būtinai išjunkite įrankį ir atjunkite jį nuo maitinimo tinklo.

**PASTABA:** Niekada nenaudokite gazolino, benzino, tirpiklio, spirito arba panašių medžiagų. Gali atsirasti išblukimų, deformacijų arba įtrūkimų.



## Deimantinio disko šlifavimas

Jeigu deimantinio disko pjovimo galia sumažėja, nušlifaukite deimantinio disko pjovimo kraštą senu šlifavimo staklių disku arba į betono bloką. Norėdami tai padaryti, tvirtai pritvirtinkite šlifavimo staklių diską arba betono bloką ir įpjaukite jį.

## Po naudojimo

Palikę įrankį kurį laiką veikti tuščiaja eiga, išvalykite įrankio viduje esančias dulkes. Nušluostykite ant pagrindo susikaupusias dulkes. Variklyje arba ant pagrindo susikaupusios dulės gali sutrikdyti įrankio veikimą.

## Anglinių šepetėlių keitimas

Reguliariai patikrinkite anglinius šepetėlius. Pakeiskite juos, kai nusidėvi iki ribos žymės. Laikykite anglinius šepetėlius švarius ir tikrinkite, ar jie laisvai įslenka į laikiklius. Abu angliniai šepetėliai turėtų būti keičiami tuo pačiu metu. Naudokite tik identiškus anglinius šepetėlius.

► **Pav.12:** 1. Ribos žymė

Jei norite nuimti šepetėlių laikiklių dangtelius, pasinaudokite atsuktuvu. Išimkite sudėvėtus anglinius šepetėlius, įdėkite naujus ir įtvirtinkite šepetėlių laikiklio dangtelį.

► **Pav.13:** 1. Atsuktuvas 2. Šepetėlio laikiklio dangtelis

Kad gamins būtą SAUGUS ir PATIKIMAS, jį taisyti, apžiūrėti ar vykdyti bet kokią kitą priežiūrą ar derinimą turi įgaliotasis kompanijos „Makita“ techninės priežiūros centras; reikia naudoti tik kompanijos „Makita“ pagamintas atsargines dalis.

## PASIRENKAMI PRIEDAI

**▲ PERSPĖJIMAS:** Šiuos papildomus priedus arba įtaisus rekomenduojama naudoti su šioje instrukcijoje nurodytu „Makita“ bendrovės įrankiu. Naudojant bet kokius kitus papildomus priedus arba įtaisus, gali kilti pavojus sužeisti žmones. Naudokite tik nurodytam tikslui skirtus papildomus priedus arba įtaisus.

Jeigu norite daugiau sužinoti apie tuos priedus, kreipkitės į artimiausią „Makita“ techninės priežiūros centrą.

- (Sausojo tipo) deimantiniai pjovimo diskai
- 22-as veržliaraktis
- Šešiakampis veržliaraktis
- Kreipiamoji juosta
- Kreipiamosios juostos adapteris
- Apsauginiai akiniai

**PASTABA:** Kai kurie sąraše esantys priedai gali būti pateikti įrankio pakuotėje kaip standartiniai priedai. Jie įvairiose šalyse gali skirtis.

## TEHNILISED ANDMED

Mudel:	4100KB
Ketta läbimõõt	125 mm
Max ketta paksus	2,2 mm
Max löikevõimekus	40 mm
Nimikiirus (n)	12 200 min <sup>-1</sup>
Üldpikkus	231 mm
Netokaal	3,0 kg
Ohutusklass	□/II

- Meie pideva uuringu- ja arendusprogrammi tõttu võidakse tehnilisi andmeid muuta ilma sellest ette teatamata.
- Tehnilised andmed võivad riigiti erineda.
- Kaal EPTA-protseduuri 01/2014 kohaselt

### Kavandatud kasutus

Tööriist on ette nähtud telliste ja betooni lõikamiseks ilma vee kasutamisetä.

### Vooluvarustus

Seadet võib ühendada ainult andmesildil näidatud pingega vooluvõrku ning seda saab kasutada ainult ühefaasilisel vahelduvvoolutoitel. Seadmel on kahekordne isolatsioon ning seega võib seda kasutada ka ilma maandusjuhtmeta pistikupesast ühendatult.

### 220 V – 250 V avalikele madalpinge jaotusvõrkudele

Elektriseadmete lülitustoimingud põhjustavad pingekõikumisi. Selle seadme kasutamisel ebasobivas vooluvõrgus võivad olla kahjustavad mõjud teiste seadmete tööle. Kui toiteliini takistus on võrdne või väiksem kui 0,37 oomi, võib oletada, et negatiivsed mõjud puuduvad. Seadme juures kasutatud toiteliini pesa on kaitstud kaitsme või aeglaselt rakenduva kaitselülitiga.

### Müra

Tüüpiiline A-korrigeeritud müratase, määratud standardi EN60745 kohaselt:

Helirõhutase ( $L_{pA}$ ): 96 dB (A)

Helivõimsuse tase ( $L_{WA}$ ): 107 dB (A)

Määramatus (K): 3 dB (A)

**⚠️ HOIATUS:** Kasutage kõrvakaitsmeid.

### Vibratsioon

Vibratsiooni koguväärtus (kolmeteljeliste vektorite summa) määratud standardi EN60745 kohaselt:

Töörežiim: betooni lõikamine

Vibratsiooniheide ( $a_n$ ): 6,0 m/s<sup>2</sup>

Määramatus (K): 1,5 m/s<sup>2</sup>

**⚠️ MÄRKUS:** Deklareeritud vibratsiooniheite väärtus on mõeldud kooskõlas standardse testimismeetodiga ning seda võib kasutada ühe seadme võrdlemiseks teisega.

**⚠️ MÄRKUS:** Deklareeritud vibratsiooniheite väärtust võib kasutada ka mürataseme esmaseks hindamiseks.

**⚠️ HOIATUS:** Vibratsioonitase võib elektritööriista tegelikkuses kasutamise ajal erineda deklareeritud väärtusest olenevalt tööriista kasutamise viisidest.

**⚠️ HOIATUS:** Rakendage operaatori kaitsmiseks kindlasti piisavaid ohutusabinõusid, mis põhinevad hinnangulisel müratasemel tegelikus tööolukorras (võttes arvesse tööperioodi kõiki osasid, nagu näiteks korrad, kui seade lülitatakse välja ja seade töötab tühikäigul, lisaks tööajale).

### EÜ vastavusdeklaratsioon

#### Ainult Euroopa riikide puhul

EÜ vastavusdeklaratsioon sisaldub käesoleva juhendi Lisas A.

## OHUTUSHOIATUSED

### Üldised elektritööriistade ohutushoiatused

**⚠️ HOIATUS:** Lugege läbi kõik selle elektritööriistaga kaasas olevad ohutushoiatused, juhised, joonised ja tehnilised andmed. Järgnevate juhiste eiramine võib põhjustada elektrilöögi, süttimise ja/või raske kehavigastuse.

### Hoidke edaspidisteks viideteks alles kõik hoiatused ja juhtnöörid.

Hoiatuses kasutatud termini „elektritööriist“ all peetakse silmas elektriga töötavaid (juhtmega) elektritööriistu või akuga töötavaid (juhtmata) elektritööriistu.

1. Tööriistaga kaasas olev kaitsepiire peab olema kindlalt seadme külge kinnitatud ja suurimat ohutust tagavas asendis, nii et võimalikult väike osa ketta kasutajapoolsest küljest oleks katmata. Ärge seiske ise ja ärge lubage kõrvalistel isikutel seista samal joonel pöörketta tasapinnaga. Piire aitab kaitajat purunenud kettatükkide ja ketta ja juhuslikku kokkupuutesse sattumise eest kaitsta.
2. Kasutage elektritööriista ainult teemantlõikekatet. Kuigi tarvik võib sobitada elektritööriista külge, ei taga see ohutut töötamist.
3. Tarviku nimikiirus peab olema vähemalt võrdne elektritööriista märgitud maksimaalse kiirusega. Tarvikud, mis töötavad nimikiirusest suuremal kiirusel, võivad katki minna ja laiali lennata.
4. Kettaid tohib kasutada ainult ettenähtud otstarbel. Näiteks ärge kasutage lõikeketta külge lihvimiseks. Abrasiivlõikekettad on ette nähtud äärepindade lihvimiseks, nendele ketastele rakendatavad külgjõud võivad ketta purustada.
5. Kasutage alati rikkumata servadega kettaid, mille läbimõõt sobib valitud tööriistaga. Sobivad kettaääritud toestavad ketast, vähendades ketta purunemise ohtu.
6. Tarviku välisdiameeter ja paksus peavad jääma teie elektritööriista puhul ettenähtud parameetrite nimiaandmete vahemikku. Valedel mõõtudega tarvikud ei ole tööriistas nõuetekohaselt kaitstud ega kontrolli all.
7. Kettavõlli ava ja äärikute suurus peavad sobima elektritööriista võlli suurusega. Elektritööriista kinnitushavanditega mittesobivate avadega ketaste ja äärikute paigaldamisel lähedavad viimased tasakaalust välja, vibreerivad tugevalt ja võivad põhjustada juhitavuse kaotust.
8. Ärge kasutage rikutud servadega kettaid. Enne iga kasutamist kontrollige, et kettal ei oleks tärkaid ega mõrsaid. Juhul kui elektritööriist või kettas peaks maha kukkuma, kontrollige, et ei esineks kahjustusi, või paigaldage uus kettas. Pärast ketta kontrollimist ja paigaldamist seadke ennast ja kohalviibijad pöörketta tasapinnast eemale ja käitage elektritööriista maksimaalsel kiirusel ilma koormuseta ühe minuti jooksul. Rikutud kettad purunevad tavaliselt katsetamise käigus.
9. Kandke isiklikku kaitsevarustust. Rakendusest olenevalt kandke näokaitset, kaitseprille või prille. Vajaduse korral kandke tolmumaski, kõrvaklappe, kindaid ja tööpõlde, mis kaitseb väikeste lihvimis- või töödeldava detaili osakeste eest. Silmakaitsemed peavad kaitsma töö käigus tekkivate lenduvate osakeste eest. Tolmumask või respiraator peab kaitsma töö käigus tekkivate filtreeruvate osakeste eest. Alaline kokkupuude suure müraga võib põhjustada kuulmiskahjustust.
10. Hoidke kõrvalseisjad tööalast turvalises kauguses. Kõik, kes sisenavad tööalasse, peavad kandma kaitsevarustust. Töödeldava detaili osakesed või purunenud kettas võivad lenduda ja põhjustada vigastuse tööpiirkonna vahetus läheduses viibijatele.

11. Hoidke elektritööriista isoleeritud haardepindadest, kui töötate kohas, kus lõiketera võib sattuda kokkupuutesse varjatud juhtmega või seadme enda toitejuhtmega. Voolu all oleva juhtmega kokkupuutesse sattunud lõiketera võib pingestada elektritööriista metallosi ja põhjustada kasutajale elektrilöögi.
12. Hoidke juhe pöörlevast tarvikust eemal. Kontrolli kaotamisel võib lõikekettas toitejuhtmesse lõigata või mõne eseme otsa takerduda ja teie käe pöörleva ketta vahele tõmmata.
13. Ärge pange elektritööriista maha enne, kui tarviku liikumine pole täielikult peatunud. Pöörlev tarvik võib pinna külge takerduda ja elektritööriist võib kontrolli alt väljuda.
14. Ärge käitage elektritööriista selle kandmise ajal. Juhuslik kokkupuude pöörleva tarvikuga võib põhjustada riiete kinnijäämist ja tarviku kehasse tõmmata.
15. Puhastage elektritööriista õhuavasid regulaarselt. Mootori ventilator tõmbab tolmu korpusesse ja metallitõlmu liigne kogunemine võib põhjustada elektriõhku.
16. Ärge kasutage seadet tuleohtlike materjalide lähedal. Need materjalid võivad sädemetest süttida.
17. Ärge kasutage tarvikuid, mis nõuavad jahutusvedelikke. Vee või teiste vedelate jahutusvahendite kasutamine võib põhjustada surmava elektrilöögi või -šoki.

## Tagasilöökk ja vastavad hoiatused

Tagasilöökk on kinnikiilunud või mõne eseme otsa sattunud pöörleva lõikeketta ootamatu reaktsioon. Kinnikiilumine või pörkimine põhjustab pöörleva ketta kiiret seisjäämist, mis omakorda sunnib juhitamatut elektritööriista liikuma vastassuunas ketta pöörlemise suunale ühenduspunkti. Näiteks kui abrasiivne kettas kiilub kinni töödeldavas detaili, võib kinnikiilumiskohta sisenenud lõikeketta serv materjali pinda tungida, mille tagajärjel lõikekettas hüppab välja või põhjustab tagasilöögi. Lõikekettas võib hüpata kasutaja poole või kasutajast eemale olenevalt ketta liikumissuunast kinnikiilumiskohas. Lihvkettad võivad neis tingimustes samuti puruneda. Tagasilöökk tekib elektritööriista väärkasutamisel ja/või mittevastava tööprotseduuri või -tingimuste korral ning on välditav, kui rakendate alljärgnevalt esitatud vastavaid ettevaatusabinõusid.

1. Hoidke elektritööriistast tugevasti kinni ning seadke keha ja küünarnukk sellisesse asendisse, mis võimaldab tagasilöögi õigesti reageerida. Kasutage alati abikäepidet, kui see on olemas, et tööriista käivitamisel tagasilöögi ja pöördemomendi vastumõju üle kontrolli saavutada. Asjakohaste ettevaatusabinõude rakendamisel saab operaator tagasilöögi ja pöördemomendi vastumõju kontrollida.
2. Ärge kunagi asetage kätt pöörleva tarviku lähedale. Te võite tarvikult tagasilöögi saada.
3. Ärge seadke ennast ühele joonele pöörleva lõikekettaga. Ärge viibige alas, kus elektritööriist võib tagasilöögi ajal liikuda. Tagasilöökk paneb tööriista pörkekohas ketta liikumissuunale vastupidises suunas liikuma.

4. Olge eriti ettevaatlik, kui töötlete nurki, teravaid servi jne. Välistage tarviku pörmumist esemete vastu. Nurgad, teravad servad ja tagasipörmumine on tavaliselt nendeks teguriteks, mis võivad põhjustada pöörleva tarviku kinnijäämist, kontrolli kaotamist või tagasilööki.
5. Ärge kinnitage tööriista külge saeketti, puunikerdustera, segmenteeritud teemantketast, mille servasüvendite laius on suurem kui 10 mm, ega hambulist saetera. Sellised terad tekitavad sageli tagasilööki ja juhitavuse kadu.
6. Ärge „ummistage“ ketast ega rakendage liigset jõudu. Ärge püüdke teha liiga sügavat lõiget. Ketta ülepingestamine suurendab ketta koormust ja vastuvõtlikkust väändumisele või kinnijäämisele lõikes ning tagasilöögi esinemise või ketta purunemise võimalust.
7. Kui ketas kiilub kinni või lõikamine katkeb mingil põhjusel, lülitage elektritööriist välja ja hoidke tööriista liikumatult kuni ketta täieliku seiskumiseni. Ärge kunagi püüdke ketast lõikest eemaldada ketta liikumise ajal, sest vastasel juhul võib tekkida tagasilööki. Selgitage välja ketta kinnijäämise põhjus ja rakendage asjakohast parandusmeetet põhjuse kõrvaldamiseks.
8. Ärge käivitage lõikamist töödeldavas detailis. Laske kettal saavutada täiskiiirus ja sisenege seejärel uuesti ettevaatlikult lõikesse. Kui elektritööriist taaskäivitatakse töödeldavas detailis, võib ketas kinni jääda, ülespoole liikuda või põhjustada tagasilöögi.
9. Vähendamaks ketta pitsumise ja tagasilöögi ohtu, toestage paneelid või ülemõdulised töödeldavad detailid. Suured detailid hakkavad paänduma omaenese raskuse all. Toed tuleb paigutada töödeldava detaili alla lõikejoone lähedale ja tooriku serva lähedale ketta mõlemal küljel.
10. Olge eriti ettevaatlik, kui teete „sukelduslõikamist“ olemasolevates seintes või muudes varjatud piirkondades. Väljaulatav lõiketera võib lõikuda gaasi- või veetorusse, elektrijuhtmetesse või muudesse esemetesse ning põhjustada tagasilöögi.
11. Enne segmentidega servaga teemantketta kasutamist veenduge, et teemantketta serva segmentide vahe oleks 10 mm või vähem ning et tegemist oleks kindlasti lõiketera negatiivse esinurgaga.

#### Lisaturvahoiatused:

1. Ärge kunagi püüdke lõigata rakises tagurpidises asendis hoitava tööriistaga. See on äärmiselt ohtlik ja võib põhjustada tõsiseid õnnetusi.
2. Mõned materjalid võivad sisaldada mürgiseid aineid. Võtke meetmed tolmude sissehingamise ja nahaga kokkupuutumise vältimiseks. Järgige materjali tarnija ohutusteavet.
3. Hoidke kettaid tootja soovitude kohaselt. Mittenouetekohane hooldmine võib kettaid kahjustada.

## HOIDKE JUHEND ALLES.

**▲HOIATUS:** ÄRGE UNUSTAGE järgida toote ohutusnõudeid mugavuse või toote (korduskasutamise saavutatud) hea tundmise tõttu. VALE KASUTUS või kasutusjuhendi ohutuseeskirjade eiramine võib põhjustada tervisekahjustusi.

## FUNKTSIONAALNE KIRJELDUS

**▲ETTEVAATUST:** Kandke alati hoolt selle eest, et tööriist oleks enne reguleerimist ja kontrollimist välja lülitatud ja vooluvõrgust lahti ühendatud.

### Lõikesügavuse reguleerimine

**▲ETTEVAATUST:** Pärast lõikesügavuse reguleerimist pingutage hoob alati korralikult.

Lõdvendage sügavusjuhikule olevat hooba ning nihutage alust üles või alla. Soovitud lõikesügavuse juures kinnitage alus, pingutades hooba.

Puhtamate ja ohutumate lõigete tegemiseks seadke lõikesügavus selliselt, et teemantketas ei ulatuks töödeldavast detailist läbi rohkem kui 2 mm. Õige lõikesügavuse kasutamine aitab vähendada kehavigastusi põhjustada võivate ohtlike TAGASILÖÖKIDE võimalust.

► **Joon.1:** 1. Hoob

### Sihtimine

Seadke alusplaadi esiserv kohakuti töödeldava detaili lõikejoonega.

► **Joon.2**

### Lüliti funktsioneerimine

**▲ETTEVAATUST:** Kontrollige alati enne tööriista vooluvõrku ühendamist, kas lüliti päästik funktsioneerib nõuete kohaselt ja liigub lahtilaskmisel tagasi väljalülitatud asendisse.

► **Joon.3:** 1. Lüliti päästik 2. Lukustusnupp/lahtilukustusnupp

### Lukustusnupuga tööriista kohta

**▲ETTEVAATUST:** Pikemaajalisel kasutamisel saab lüliti operaatori mugavuse huvides lukustada sisselülitatud asendisse. Tööriista lukustamisel sisselülitatud asendisse olege ettevaatlik ja hoidke tööriista kindlas haardes.

Tööriista tööle panemiseks on vaja lihtsalt lüliti päästikut vajutada. Vabastage lüliti päästik tööriista seiskamiseks. Katkestamatuks töötamiseks vajutage lüliti päästikut, lükake lukustusnupp sisse ja seejärel vabastage lüliti päästik. Lukustatud tööriista seiskamiseks vajutage päästik lõpuni ning seejärel vabastage see.

### Lahtilukustuse nupuga tööriista kohta

Et vältida lüliti päästiku juhuslikku vajutamist, on tööriistal lahtilukustusnupp. Tööriista käivitamiseks vajutage lahtilukustusnupp alla ja vajutage lüliti päästikut. Vabastage lüliti päästik tööriista seiskamiseks.

**▲HOIATUS:** ÄRGE kasutage KUNAGI masinat, kui see käivitub ka siis, kui lahtilukustusnuppu vajutamata vajutate lihtsalt lüliti päästikut. Remonti vajav lüliti võib põhjustada masina soovimatu sisselülitumise, millega kaasnevad tõsised vigastused. ENNE edasist kasutamist viige masin parandamiseks Makita teeninduskeskusesse.

**▲HOIATUS:** Lahtilukustusnupu fikseerimine kleeplindi vms-ga on KEELATUD. Inaktiveeritud lahtilukustusnupuga lüliti võib põhjustada masina soovimatu sisselülitumise, millega kaasnevad tõsised vigastused.

**▲ETTEVAATUST:** Ärge tõmmake lüliti päästikut tugevasti ilma lahtilukustusnuppu vajutamata. See võib põhjustada lüliti purunemise.

## KOKKUPANEK

**▲ETTEVAATUST:** Enne tööriistal mingite tööde tegemist kandke alati hoolt selle eest, et see oleks välja lülitatud ja vooluvõrgust lahti ühendatud.

### Kuuskantvõtme hoialepanek

Kui kuuskantvõtit ei kasutata, pange see kaotamise vältimiseks joonisel näidatud viisil hoiale.

► Joon.4: 1. Kuuskantvõti

### Teemantketaste eemaldamine või paigaldamine

**▲ETTEVAATUST:** KEERAKE KUUSKANTPOLT KINDLASTI KORRALIKULT KINNI. Samas jälgige, et te polti liiga suure jõuga ei pingutaks. Käe libisemine kuuskantvõtmelt võib põhjustada vigastusi.

**▲ETTEVAATUST:** Kasutage ketta paigaldamiseks ja eemaldamiseks ainult Makita mutrivõtit ja kuuskantvõtit.

Hoidke välimist äärikut mutrivõtmega ning keerake kuuskantpolt kuuskantvõtme abil lahti. Seejärel eemaldage kuuskantpolt, välisäärik ja teemantketas.

► Joon.5: 1. Kuuskantvõti 2. Kuuskantpolt 3. Mutrivõti nr 22 4. Lõdvendamine 5. Pingutamine

Teemantketta paigaldamiseks tegutsege eemaldamise protseduurile vastupidises järjekorras. Paigaldage teemantketas alati nii, et sellel olev nool osutaks kettakarbil oleva noolega samasse suunda.

► Joon.6: 1. Kuuskantpolt 2. Välisäärik 3. Teemantketas 4. Siseäärik 5. Taldrikselib

## Tolmukott

Tolmukoti kasutamine muudab löikamistöö puhtaks ja kergendab tolmu kogumist. Tolmukoti kinnitamiseks sobitage see tolmutoru peale.

► Joon.7: 1. Tolmukott 2. Tolmutoru

Tolmutoru kael pöörleb vabalt. Paigutage tolmukott selliselt, et saaksite tööriistaga mugavalt töötada.

► Joon.8

Kui tolmukott on umbes ühe kolmandiku ulatuses täitunud, eemaldage tolmukott tööriistalt ja tõmmake kinnitusvahend välja. Tühjendage tolmukott, koputades seda kergelt, et eemaldada selle sisemusse kinnitunud osakesed, mis võivad tolmu kogumist takistada.

► Joon.9: 1. Kinnitusvahend

## Ühendamine tolmuimejaga

Kui soovite puhtamalt lõigata, ühendage tööriista külge Makita tolmuimeja.

► Joon.10: 1. Tolmuimeja voolik 2. Tolmutoru

## TÖÖRIISTA KASUTAMINE

**▲ETTEVAATUST:** Seda tööriista tohib kasutada ainult horisontaalsel pinnal.

**▲ETTEVAATUST:** Liigutage tööriista kindlasti sirgjooneliselt ja ettevaatlikult ettepoole. Ülemäärane surumine ja surve või ketta painutamine, vajutamine või väänamine võivad põhjustada mootori ülekuumenemist ja tööriista ohtlikku tagasilööki.

Hoidke tööriistast kindlalt kinni. Asetage tööriista alusplaat lõigatavale detailile, ilma et teemantketas detaili vastu puutuks. Seejärel lülitage tööriist sisse ja oodake, kuni teemantketas saavutab täiskiiruse. Nüüd viige tööriist töödeldavale pinnale või detailile, hoidke seda tasapinnaliselt ning lükake sujuvalt edasi, kuni saagimine on lõpetatud. Hoidke lõikejoon sirge ja liikumiskiirus ühtlasena.

► Joon.11

## HOOLDUS

**▲ETTEVAATUST:** Enne kontroll- või hooldustöimingute tegemist kandke alati hoolt selle eest, et tööriist oleks välja lülitatud ja vooluvõrgust lahti ühendatud.

**TÄHELEPANU:** Ärge kunagi kasutage bensiini, vedeldit, alkoholi ega midagi muud sarnast. Selle tulemuseks võib olla lülitumine, deformatsioon või pragunemine.

## Teemantketta lihvimine

Kui teemantketta lõikeomadused hakkavad halvenema, lihvide selle serva vana ülelligse jämedateralise käiakivi või betoonploki. Selleks fikseerige korralikult käiakivi või betoonploki ja lõigake sellesse.

## Pärast kasutamist

Puhastage tööriista sisemus kogunenud tolmust, lastes tööriistal mõnda aega tühjalt töötada. Pühkige alusele kogunenud tolm ära. Mootorisise või alusele kogunenud tolm võib põhjustada tööriista rikke.

## Süsiharjade asendamine

Kontrollige süsiharju regulaarselt. Vahetage need välja, kui need on piirmäärgini kulunud. Hoidke süsiharjad puhtad, nii on neid lihtne hoidikutesse libistada. Mõlemad süsiharjad tuleb asendada korraga. Kasutage üksnes identseid süsiharju.

► **Joon.12:** 1. Piirmäärgis

Kasutage harjahoidikute kaante eemaldamiseks kruvikeerajat. Võtke ära kulunud süsiharjad välja, paigaldage uued ning kinnitage harjahoidikute kaaned tagasi kohale.

► **Joon.13:** 1. Kruvikeeraja 2. Harja hoidekork

Toote OHUTUSE ja TÕÕKINDLUSE tagamiseks tuleb vajalikud remonttööd ning muud hooldus- ja reguleerimistööd lasta teha Makita volitatud teeninduskeskustes või tehase teeninduskeskustes. Alati tuleb kasutada Makita varuosi.

## VALIKULISED TARVIKUD

**⚠ETTEVAATUST:** Neid tarvikuid ja lisaseadiseid on soovitatav kasutada koos Makita tööriistaga, mille kasutamist selles kasutusjuhendis kirjeldatakse. Muude tarvikute ja lisaseadiste kasutamisega kaasneb vigastada saamise oht. Kasutage tarvikuid ja lisaseadiseid ainult otstarbekohaselt.

Saate vajaduse korral kohalikust Makita teeninduskeskusest lisateavet nende tarvikute kohta.

- Teemantkettad (kuiva tüüpi)
- Mutrivõti nr 22
- Kuuskantvõti
- Juhtpiire
- Juhtpiirde adapter
- Kaitseprillid

**MÄRKUS:** Mõned nimekirjas loetletud tarvikud võivad kuuluda standardvarustusse ning need on lisatud tööriista pakendisse. Need võivad riigiti erineda.

## ТЕХНИЧЕСКИЕ ХАРАКТЕРИСТИКИ

Модель:	4100KB
Диаметр диска	125 мм
Макс. толщина диска	2,2 мм
Макс. режущие возможности	40 мм
Номинальное число оборотов (n)	12 200 мин <sup>-1</sup>
Общая длина	231 мм
Масса нетто	3,0 кг
Класс безопасности	II/II

- Благодаря нашей постоянно действующей программе исследований и разработок указанные здесь технические характеристики могут быть изменены без предварительного уведомления.
- Технические характеристики могут различаться в зависимости от страны.
- Масса в соответствии с процедурой EPTA 01/2014

### Назначение

Данный инструмент предназначен для резки кирпича и бетона без использования воды.

### Источник питания

Данный инструмент должен подключаться к источнику питания с напряжением, соответствующим напряжению, указанному на идентификационной пластине, и может работать только от однофазного источника переменного тока. Он имеет двойную изоляцию и поэтому может подключаться к розеткам без заземления.

### Для низковольтных систем общего пользования напряжением от 220 до 250 В.

Включение электрического устройства приводит к колебаниям напряжения. Использование данного устройства в неблагоприятных условиях электропитания может оказывать негативное влияние на работу другого оборудования. Если полное сопротивление в сети питания равно или менее 0,37 Ом, можно предполагать, что данный инструмент не будет оказывать негативного влияния. Сетевая розетка, используемая для данного инструмента, должна быть защищена предохранителем или прерывателем цепи с медленным размыканием.

### Шум

Типичный уровень взвешенного звукового давления (A), измеренный в соответствии с EN60745:  
 Уровень звукового давления (L<sub>рA</sub>): 96 дБ (A)  
 Уровень звуковой мощности (L<sub>пA</sub>): 107 дБ (A)  
 Погрешность (K): 3 дБ (A)

**⚠ОСТОРОЖНО:** Используйте средства защиты слуха.

### Вибрация

Суммарное значение вибрации (сумма векторов по трем осям), определенное в соответствии с EN60745:

Рабочий режим: резка бетона  
 Распространение вибрации (a<sub>h</sub>): 6,0 м/с<sup>2</sup>  
 Погрешность (K): 1,5 м/с<sup>2</sup>

**ПРИМЕЧАНИЕ:** Заявленное значение распространения вибрации измерено в соответствии со стандартной методикой испытаний и может быть использовано для сравнения инструментов.

**ПРИМЕЧАНИЕ:** Заявленное значение распространения вибрации можно также использовать для предварительных оценок воздействия.

**⚠ОСТОРОЖНО:** Распространение вибрации во время фактического использования электроинструмента может отличаться от заявленного значения в зависимости от способа применения инструмента.

**⚠ОСТОРОЖНО:** Обязательно определите меры безопасности для защиты оператора, основанные на оценке воздействия в реальных условиях использования (с учетом всех этапов рабочего цикла, таких как выключение инструмента, работа без нагрузки и включение).

### Декларация о соответствии ЕС

*Только для европейских стран*

Декларация о соответствии ЕС включена в руководство по эксплуатации (Приложение А).

# МЕРЫ БЕЗОПАСНОСТИ

## Общие рекомендации по технике безопасности для электроинструментов

**⚠ ОСТОРОЖНО:** Ознакомьтесь со всеми представленными инструкциями по технике безопасности, указаниями, иллюстрациями и техническими характеристиками, прилагаемыми к данному электроинструменту. Несоблюдение каких-либо инструкций, указанных ниже, может привести к поражению электрическим током, пожару и/или серьезной травме.

## Сохраните брошюру с инструкциями и рекомендациями для дальнейшего использования.

Термин "электроинструмент" в предупреждениях относится ко всему инструменту, работающему от сети (с проводом) или на аккумуляторах (без провода).

## Техника безопасности при эксплуатации дисковой алмазной пилы

1. **Защитный кожух, поставляемый с инструментом, должен быть надежно закреплен и расположен для обеспечения максимальной защиты так, чтобы со стороны оператора оставалась открытой минимальная часть диска. Вы и сторонние наблюдатели должны находиться на максимально возможном расстоянии от плоскости вращения диска. Ограждение помогает обезопасить оператора от отлетающих осколков поврежденного диска и случайного контакта с ним.**
2. **Для работы с электроинструментом используйте только алмазные отрезные диски. Возможность установки принадлежности на электроинструмент сама по себе не гарантирует безопасной работы.**
3. **Номинальная скорость принадлежности должна быть как минимум равна максимальной скорости, обозначенной на электроинструменте. При превышении номинальной скорости принадлежности она может разломиться, и ее части могут разлететься в стороны.**
4. **Диски должны использоваться только по рекомендованному назначению. Например: не шлифуйте краем отрезного диска. Абразивные отрезные диски предназначены для периферийного шлифования, боковые усилия, приложенные к таким дискам, могут вызвать их разрушение.**
5. **Обязательно используйте неповрежденные фланцы соответствующего выбранному диску диаметра. Подходящие фланцы поддерживают диск, снижая вероятность его повреждения.**
6. **Внешний диаметр и толщина принадлежности должны соответствовать номинальной мощности электроинструмента. Принадлежности, размер которых подобран неверно, не гарантируют безопасности и точности управления.**

7. **Размер оправки дисков и фланцев должен в точности соответствовать параметрам шпинделя электроинструмента. Несоответствие диаметра оправки дисков, фланцев и монтажного узла электроинструмента может привести к нарушению балансировки, сильной вибрации и потере контроля над инструментом.**
8. **Не используйте поврежденные диски. Перед каждым использованием осматривайте диски на предмет сколов и трещин. В случае падения электроинструмента или диска убедитесь в отсутствии поврежденного или установленного неповрежденного диска. После осмотра и установки диска, отойдите сами и попросите отойти сторонних наблюдателей на безопасное расстояние от плоскости вращения диска, затем включите электроинструмент на максимальной мощности без нагрузки, дав ему поработать в течение одной минуты. Поврежденные диски обычно разрушаются за время такой проверки.**
9. **Надевайте индивидуальные средства защиты. В зависимости от выполняемых операций используйте защитную маску или защитные очки. При необходимости используйте респиратор, средства защиты слуха, перчатки и передник, способный защитить от маленьких фрагментов абразива или заготовки. Средства защиты органов зрения должны предохранять от летящих фрагментов, появляющихся при выполнении различных операций. Пылезащитная маска или респиратор должны обеспечивать фильтрацию пыли, возникающей во время работы. Продолжительное воздействие сильного шума может стать причиной потери слуха.**
10. **Посторонние лица должны находиться на безопасном расстоянии от рабочей зоны. Любой приближающийся к рабочему месту человек должен предварительно надеть индивидуальные средства защиты. Фрагменты обрабатываемой детали или разрушенного диска могут разлететься и причинить травмы даже за пределами рабочей зоны.**
11. **Если при выполнении работ существует риск контакта режущего инструмента со скрытой электропроводкой или собственным шнуром питания, держите электроинструмент только за специальные изолированные рукоятки. Контакт режущего инструмента с проводом под напряжением приведет к тому, что металлические детали электроинструмента также будут под напряжением. Это может стать причиной поражения оператора электрическим током.**
12. **Располагайте шнур на расстоянии от вращающейся насадки. Если вы не удержите инструмент, возможно случайное разрезание или повреждение шнура, а также затягивание руки вращающимся диском.**
13. **Не кладите электроинструмент, пока принадлежность полностью не остановится. Вращающийся диск может зацепить поверхность, и вы можете не удержать электроинструмент.**
14. **Не включайте электроинструмент во время вращения. Случайный контакт с вращающейся принадлежностью может привести к защемлению одежды и притягиванию принадлежности к телу.**



15. Регулярно прочищайте вентиляционные отверстия электроинструмента. Вентилятор электродвигателя засасывает пыль внутрь корпуса, а значительные отложения металлической пыли могут привести к поражению электрическим током.
16. **Не используйте электроинструмент вблизи горючих материалов.** Эти материалы могут воспламениться от искр.
17. **Не используйте принадлежности, требующие жидкостного охлаждения.** Использование воды или других охлаждающих жидкостей может привести к поражению электротоком, в том числе к смертельному электропоражению.
8. **Не перезапускайте отрезной диск, пока он находится в детали.** Дождитесь, пока диск разовьет максимальную скорость, и осторожно погрузите его в разрез. Диск может застрять, отдача может отбросить его вверх или назад, если перезапустить электроинструмент непосредственно в детали.

#### **Отдача и соответствующие предупреждения**

Отдача – это неожиданная реакция зажатого или застрявшего вращающегося диска. Застревание или застопоривание вызывает резкую остановку вращающегося диска, что, в свою очередь, приводит к неконтролируемому рывку инструмента в направлении, противоположном вращению диска в момент застревания. Например, если абразивный круг зажимается или прихвывается деталью, край круга, находящийся в точке заклинивания, может углубиться в поверхность детали, что приведет к выкатыванию или выскакиванию круга. Круг может совершить рывок в направлении оператора или обратно, в зависимости от направления перемещения круга в точке заклинивания. Также в этих условиях абразивные круги могут сломаться.

Отдача – это результат неправильного использования электроинструмента и/или неправильных методов или условий работ, которого можно избежать, соблюдая нижеуказанные меры предосторожности.

1. **Крепко держите электроинструмент и располагайте свое тело и руки так, чтобы можно было сопротивляться силам отдачи. Обязательно пользуйтесь вспомогательной рукояткой (при наличии), чтобы обеспечить максимальный контроль над отдачей или крутящим моментом во время пуска.** Оператор способен справиться с крутящим моментом и силами отдачи при условии соблюдения соответствующих мер безопасности.
2. **Берегите руки от вращающейся насадки.** При отдаче насадка может задеть ваши руки.
3. **Не стойте в плоскости вращения диска.** При отдаче инструмент сместится в направлении, противоположном вращению диска в момент застревания.
4. **Соблюдайте особую осторожность при обработке углов, острых краев и т. п. Не допускайте ударов и застревания принадлежности.** Углы, острые края и удары способствуют прихвату инструмента вращающейся принадлежности, которое приводит к выходу из-под контроля или отдаче.
5. **Не устанавливайте на инструмент пильную цепь, принадлежность для резьбы по дереву, сегментированный алмазный диск с периферийным зазором более 10 мм или дисковую пилу.** Такие пилы часто дают отдачу и приводят к потере контроля.
6. **Не "заклинивайте" диск и не прикладывайте к нему чрезмерное давление. Не пытайтесь делать слишком глубокий разрез.** Перенапряжение диска увеличивает нагрузку и вероятность искривления или застревания диска в прорези, а также отдачи или поломки диска.

9. **Устанавливайте опоры под панели или большие детали, чтобы уменьшить риск застревания диска и возникновения отдачи.** Большие детали имеют тенденцию к прогибанию под собственным весом. При резании таких панелей необходимо поместить опоры под разрезаемую деталью рядом с линией разреза и рядом с краем детали с обеих сторон диска.
10. **Будьте особенно осторожны при выполнении врезки в существующих стенах или на других участках, недоступных для осмотра.** Выступающая часть круга может перерезать газовые или водопроводные трубы, электропроводку или детали, которые могут вызвать отдачу.
11. **Перед использованием сегментированного алмазного диска убедитесь, что периферийный зазор между сегментами алмазного диска не превышает 10 мм, только с отрицательным передним углом наклона.**

#### **Дополнительные правила техники безопасности:**

1. **Не пытайтесь резать при помощи перевернутого инструмента, зажатого в тисках.** Это очень опасно и может привести к серьезным несчастным случаям.
2. **Некоторые материалы могут содержать токсичные химические вещества. Примите соответствующие меры предосторожности, чтобы избежать вдыхания или контакта с кожей таких веществ. Соблюдайте требования, указанные в паспорте безопасности материала.**
3. **Храните диски в соответствии с рекомендациями производителя.** Неправильное хранение может привести к повреждению дисков.

## **СОХРАНИТЕ ДАННЫЕ ИНСТРУКЦИИ.**

**▲ОСТОРОЖНО: НЕ ДОПУСКАЙТЕ,** чтобы удобство или опыт эксплуатации данного устройства (полученный от многократного использования) доминировали над строгим соблюдением правил техники безопасности при обращении с этим устройством. **НЕПРАВИЛЬНОЕ ИСПОЛЬЗОВАНИЕ** инструмента или несоблюдение правил техники безопасности, указанных в данном руководстве, может привести к тяжелой травме.

# ОПИСАНИЕ РАБОТЫ

**⚠ВНИМАНИЕ:** Перед регулировкой или проверкой функций инструмента обязательно убедитесь, что он выключен и его вилка вынута из розетки.

## Регулировка глубины пропила

**⚠ВНИМАНИЕ:** После регулировки глубины реза всегда крепко затягивайте рычаг.

Ослабьте рычаг на направляющей глубины и переместите основание вверх или вниз. Установив необходимую глубину реза, закрепите основание путем затяжки рычага. Для чистого и безопасного резания установите глубину резания так, чтобы под разрезаемой деталью алмазный диск выступал не более чем на 2 мм. Установка надлежащей глубины пропила снижает вероятность опасной ОТДАЧИ, которая может причинить травму.

► **Рис.1:** 1. Рычаг

## Наведение

Совместите край переднего основания с линией разреза на заготовке.

► **Рис.2**

## Действие выключателя

**⚠ВНИМАНИЕ:** Перед включением инструмента в розетку обязательно убедитесь, что триггерный переключатель работает надлежащим образом и возвращается в положение "ВЫКЛ", если его отпустить.

► **Рис.3:** 1. Триггерный переключатель 2. Кнопка блокировки/разблокировки

## Для инструмента с кнопкой блокировки

**⚠ВНИМАНИЕ:** В случае продолжительной работы для удобства оператора переключатель можно зафиксировать в положении "ВКЛ.". Соблюдайте осторожность при фиксации инструмента в положении "ВКЛ." и крепко удерживайте инструмент.

Для запуска инструмента просто нажмите на триггерный переключатель. Отпустите триггерный переключатель для остановки. Для непрерывной работы инструмента нажмите на триггерный переключатель, нажмите кнопку блокировки и затем отпустите триггерный переключатель. Для отключения заблокированного положения переключателя до конца нажмите на триггерный переключатель, а затем отпустите его.

## Для инструмента с кнопкой разблокировки

Для предотвращения непреднамеренного включения триггерного переключателя имеется кнопка разблокировки. Для запуска инструмента, нажмите на кнопку разблокировки и затем нажмите на триггерный переключатель. Отпустите триггерный переключатель для остановки.

**⚠ОСТОРОЖНО:** ЗАПРЕЩАЕТСЯ использовать инструмент, когда он работает при простом нажатии на триггерный переключатель без нажатия на кнопку разблокировки. Требующий ремонта инструмент может случайно включиться и причинить тяжелую травму. Верните инструмент в сервисный центр Makita для надлежащего ремонта ДО продолжения его эксплуатации.

**⚠ОСТОРОЖНО:** ЗАПРЕЩАЕТСЯ нарушать работу кнопки разблокировки, заклеивая ее скотчем или другими способами. Выключатель с неработающей кнопкой разблокировки может стать причиной случайного включения и причинения тяжелой травмы.

**⚠ВНИМАНИЕ:** Не нажимайте сильно на триггерный переключатель без нажатия на кнопку разблокировки. Это может привести к поломке переключателя.

# СБОРКА

**⚠ВНИМАНИЕ:** Перед проведением каких-либо работ с инструментом обязательно проверьте, что инструмент выключен, а шнур питания вынут из розетки.

## Хранение шестигранного ключа

Когда шестигранный ключ не используется, храните его, как показано на рисунке, чтобы не потерять.

► **Рис.4:** 1. Шестигранный ключ

## Снятие или установка алмазного диска

**⚠ВНИМАНИЕ:** НАДЕЖНО ЗАТЯНИТЕ БОЛТ С ШЕСТИГРАННОЙ ГОЛОВКОЙ. Не перетягивайте болт. Соскальзывание руки с шестигранной головки может стать причиной травмы.

**⚠ВНИМАНИЕ:** Для установки и снятия диска используйте гаечный ключ и шестигранный ключ только производства компании Makita.

Удерживайте внешний фланец при помощи гаечного ключа и ослабьте шестигранный болт при помощи шестигранного ключа. Затем снимите болт с шестигранной головкой, внешний фланец и алмазный диск.

► **Рис.5:** 1. Шестигранный ключ 2. Болт с шестигранной головкой 3. Ключ на 22 4. Ослабить 5. Затянуть

Для установки алмазного диска выполните операции по снятию в обратном порядке. Обязательно устанавливайте алмазный диск так, чтобы стрелка на диске указывала в том же направлении, что и стрелка на корпусе редуктора.

► **Рис.6:** 1. Болт с шестигранной головкой 2. Наружный фланец 3. Алмазный диск 4. Внутренний фланец 5. Тарельчатая пружина

## Пылесборный мешок

Использование пылесборного мешка обеспечивает чистое резание и удобный сбор пыли. Для крепления пылесборного мешка наденьте его на пылесборный рукав.

► **Рис.7:** 1. Пылесборный мешок 2. Пылесборный рукав

Горловина пылесборного рукава свободно вращается. Установите пылесборный мешок так, чтобы обеспечить удобное использование инструмента.

► **Рис.8**

Когда пылесборный мешок заполнится примерно на одну треть, снимите пылесборный мешок с инструмента и вытяните крепление. Удалите содержимое пылесборного мешка, слегка ударив по нему, чтобы удалить частицы, прилипшие к внутренней части, которые могут ухудшить дальнейший сбор пыли.

► **Рис.9:** 1. Крепление

## Подключение пылесоса

При необходимости выполнения чистого резания подключите к вашему инструменту пылесос Makita.

► **Рис.10:** 1. Шланг пылесоса 2. Пылесборный рукав

## ЭКСПЛУАТАЦИЯ

**⚠ВНИМАНИЕ:** ЭТОТ ИНСТРУМЕНТ МОЖНО ИСПОЛЬЗОВАТЬ ТОЛЬКО НА ГОРИЗОНТАЛЬНЫХ ПОВЕРХНОСТЯХ.

**⚠ВНИМАНИЕ:** Аккуратно перемещайте инструмент вперед по прямой линии. Принудительное и чрезмерное нажатие или сгибание, зажим или скручивание диска в разрезе могут привести к перегреву двигателя и опасной отдаче инструмента.

Крепко держите инструмент. Установите плиту основания на заготовку так, чтобы алмазный диск не касался ее. Затем включите инструмент и дождитесь, пока алмазный диск не наберет максимальную скорость вращения. Теперь просто плавно подавайте инструмент вперед по поверхности детали, ровно удерживая его в горизонтальной плоскости, до полного завершения распиливания. Строго выдерживайте прямую линию резки и подавайте инструмент вперед с постоянной скоростью.

► **Рис.11**

## ОБСЛУЖИВАНИЕ

**⚠ВНИМАНИЕ:** Перед проверкой или проведением техобслуживания убедитесь, что инструмент выключен, а штекер отсоединен от розетки.

**ПРИМЕЧАНИЕ:** Запрещается использовать бензин, растворители, спирт и другие подобные жидкости. Это может привести к обесцвечиванию, деформации и трещинам.

## Правка алмазного диска

При ухудшении характеристик резки алмазного диска воспользуйтесь старым отбракованным крупнозернистым диском настольного точильного станка или бетонным блоком для правки алмазного диска. Для этого надежно закрепите диск настольного точильного станка или бетонный блок и сделайте в нем вырез.

## После использования

Сдуйте пыль с внутренней части инструмента, включив его на холостом ходу в течение некоторого времени. Щеткой удалите скопление пыли с основания. Накопившаяся в двигателе или на основании пыль может привести к поломке инструмента.

## Замена угольных щеток

Регулярно проверяйте угольные щетки. Замените, когда износ достигнет ограничительной метки. Угольные щетки всегда должны быть чистыми и свободно перемещаться в держателе. Заменяйте обе угольные щетки одновременно. Используйте только идентичные угольные щетки.

► **Рис.12:** 1. Ограничительная метка

Используйте шуруповерт для снятия колпачков держателей щеток. Извлеките изношенные угольные щетки, вставьте новые и закрутите колпачков держателей щеток.

► **Рис.13:** 1. Шуруповерт 2. Колпачок держателя щетки

Для обеспечения БЕЗОПАСНОСТИ и НАДЕЖНОСТИ оборудования ремонт, любое другое техобслуживание или регулировку необходимо производить в уполномоченных сервис-центрах Makita или сервис-центрах предприятия с использованием только сменных частей производства Makita.

## ДОПОЛНИТЕЛЬНЫЕ ПРИНАДЛЕЖНОСТИ

**⚠ВНИМАНИЕ:** Данные принадлежности или приспособления рекомендуются для использования с инструментом Makita, указанным в настоящем руководстве. Использование других принадлежностей или приспособлений может привести к получению травмы. Используйте принадлежность или приспособление только по указанному назначению.

Если вам необходимо содействие в получении дополнительной информации по этим принадлежностям, свяжитесь с вашим сервис-центром Makita.

- Алмазные диски (для сухой резки)
- Ключ на 22
- Шестигранный ключ
- Направляющий рельс
- Адаптер для шины цепной пилы
- Защитные очки

**ПРИМЕЧАНИЕ:** Некоторые элементы списка могут входить в комплект инструмента в качестве стандартных приспособлений. Они могут отличаться в зависимости от страны.

**Makita Europe N.V.** Jan-Baptist Vinkstraat 2,  
3070 Kortenberg, Belgium

**Makita Corporation** 3-11-8, Sumiyoshi-cho,  
Anjo, Aichi 446-8502 Japan

[www.makita.com](http://www.makita.com)

885607A986  
EN, SV, NO, FI, LV,  
LT, ET, RU  
20170904