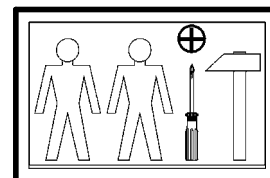
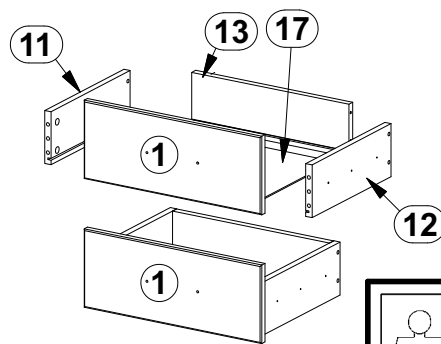
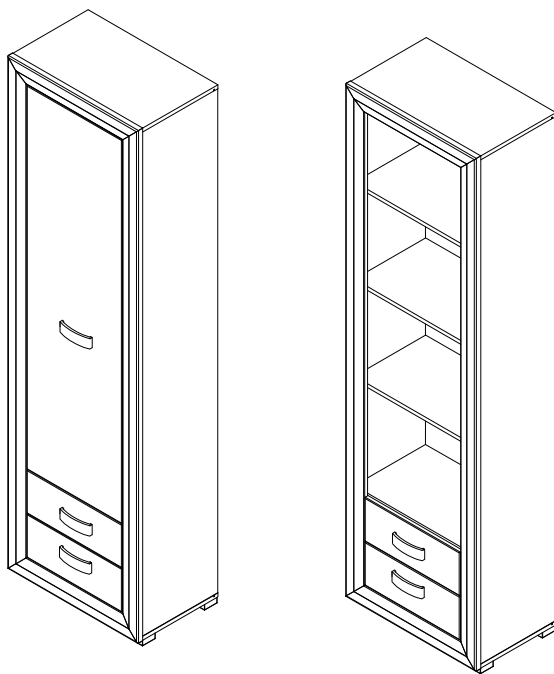
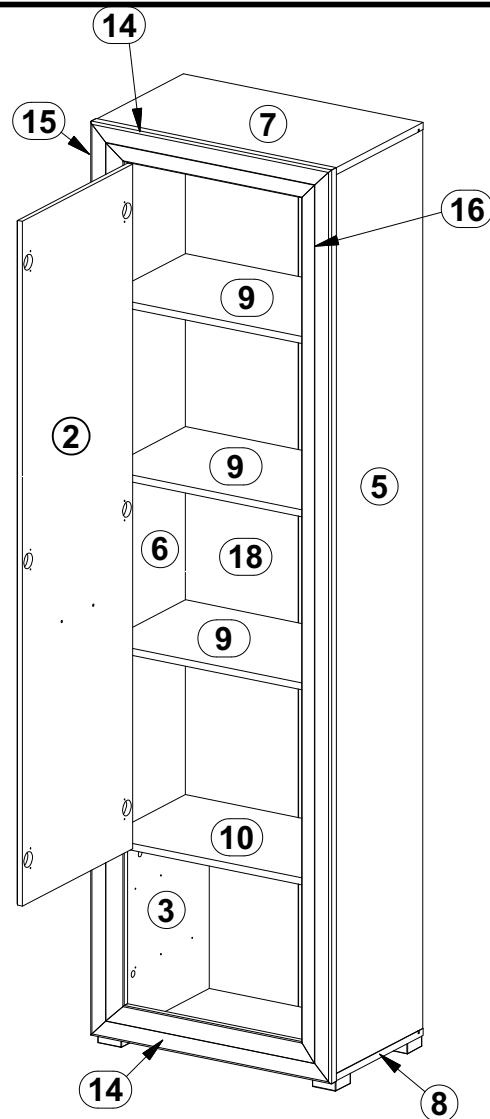




		B136-REG1D2S		B136-REG2S	
A	B	C		D	
1	B136-006	447	177	1/3	1/3
2	B136-020	1564	447	1/3	-
3	B136-109	416	335	2/3	2/3
4	B136-126	416	335	2/3	2/3
5	B136-135	2056	355	2/3	2/3
6	B136-136	2056	355	2/3	2/3
7	B136-211	611	355	1/3	1/3
8	B136-202	611	355	1/3	1/3
9	B136-307	576	335	1/3	1/3
10	B136-320	577	335	1/3	1/3
11	B136-501	320	120	2/3	2/3
12	B136-502	320	120	2/3	2/3
13	B136-508	377	120	2/3	2/3
14	B136-571	613	80	2/3	2/3
15	B136-576	2090	80	2/3	2/3
16	B136-578	2090	80	2/3	2/3
17	B136-901	391	318	1/3	1/3
18	B136-913	2066	293	2/3	2/3
19	Lh-2050	2050	14	2/3	2/3

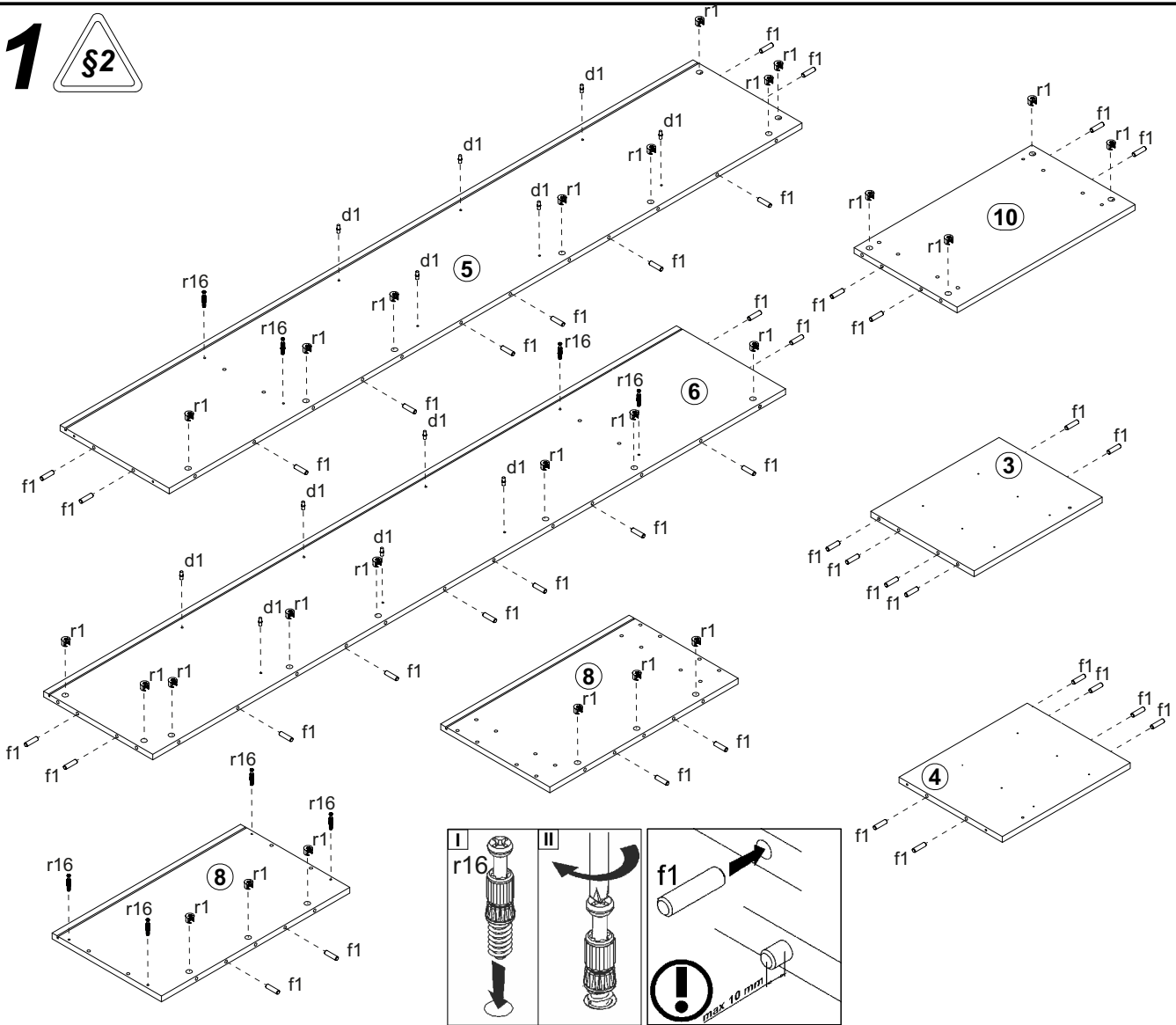


B136-REG1D2S

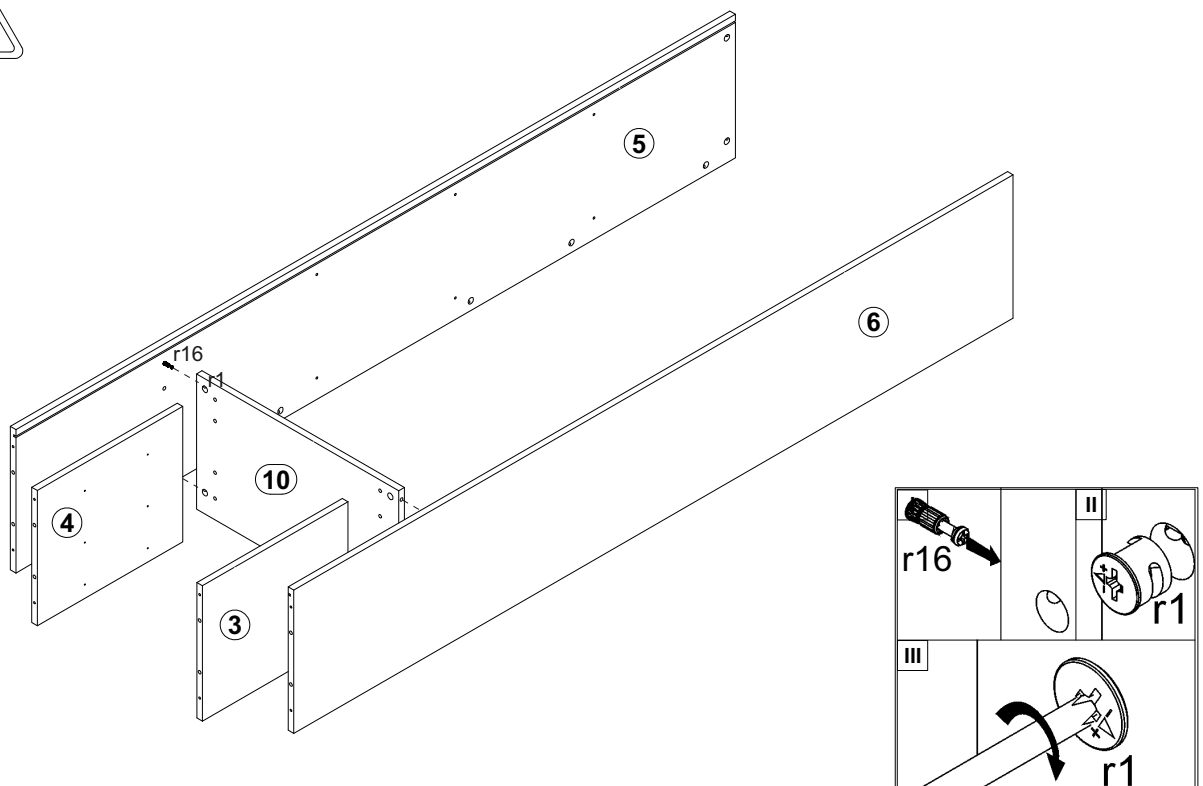
B136-REG2S

12x x17 mm d1	16x 7x50 mm e1	52x x30 mm f1	2x φ412.050	4x f4x30 mm p9	4x silikon x1,8mm o21	B136-REG1D2S 3x D5 b6 3x a56 6x x15 mm p51 1x φ412.050 2x f4x30 mm p9 3x d35 mm s33 6x d12x0,5 mm s59
4x 60x60,25 mm k55	8x x35 mm p6	16x l1	22x l2	1x n26	1x x50 mm f35	
42x x12mm r1	4x r10	1x x16 mm p38	1x x60 mm p17	1x z1	21x 16 s2	
34x 20/9 r16	4x w206/1	4x w206/2	12x x12 mm p140	12x φ6x13 mm e3		

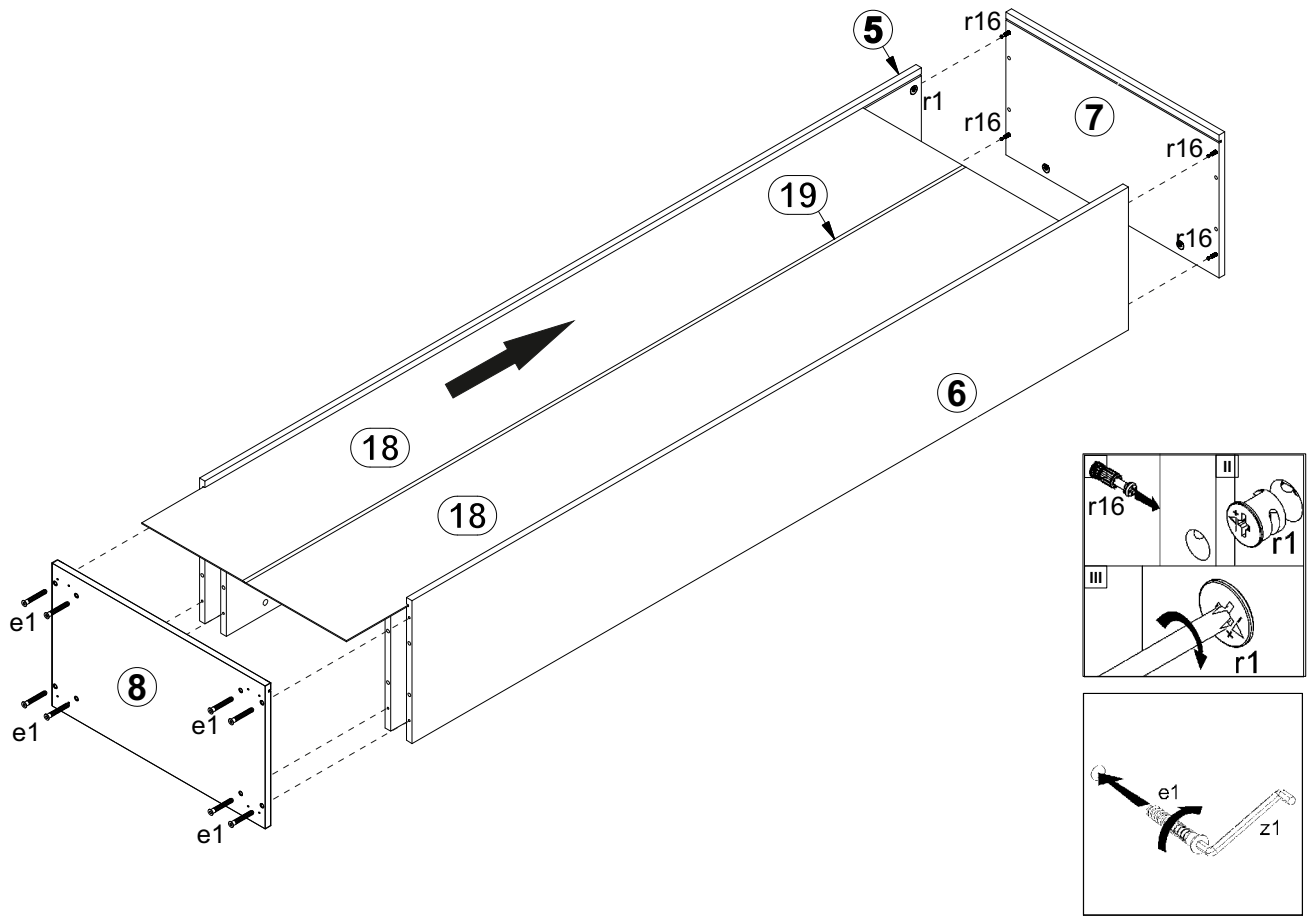
1



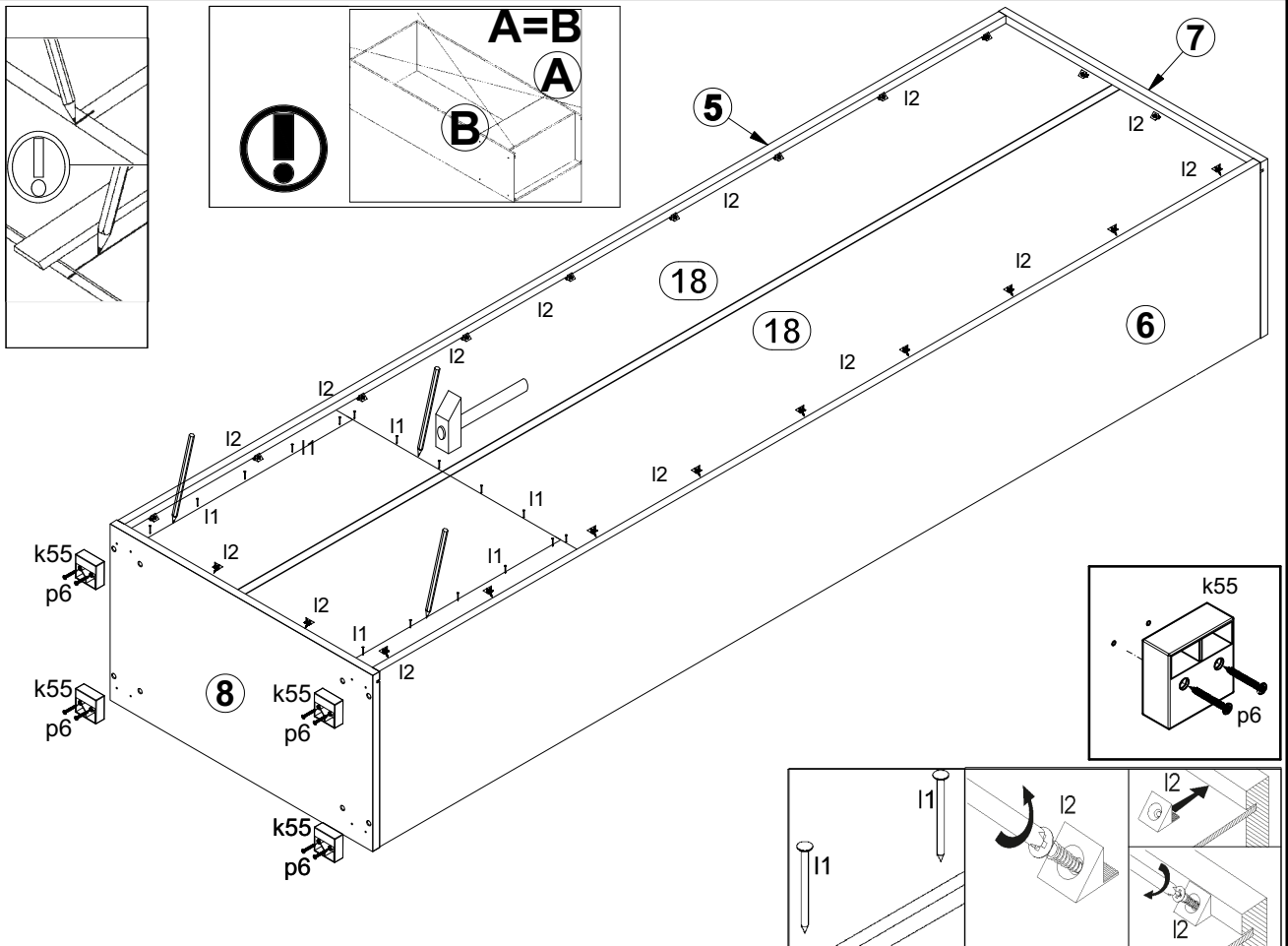
2



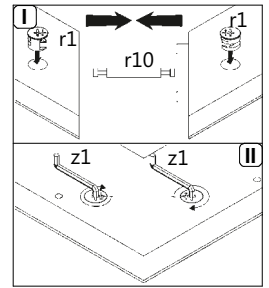
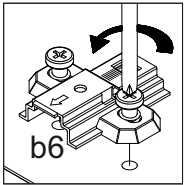
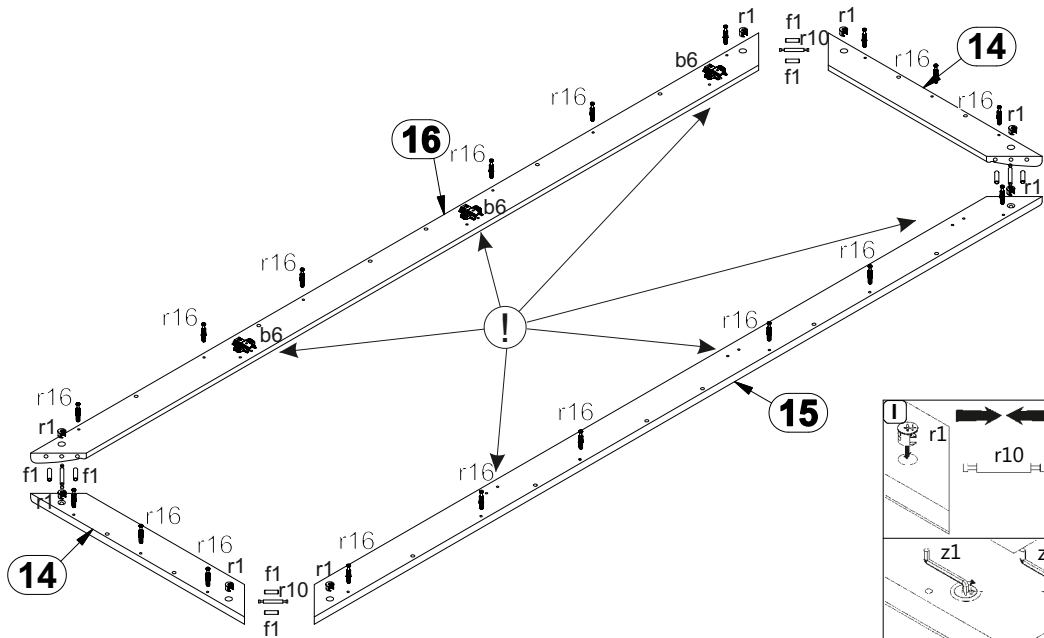
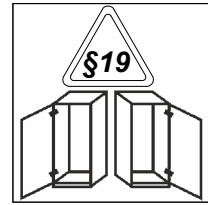
3



4



5



6

