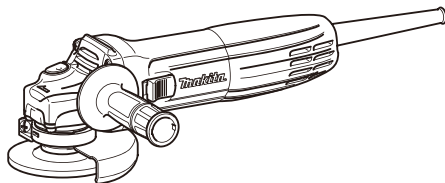




EN	Angle Grinder	INSTRUCTION MANUAL	4
RU	Угловая шлифмашина	РУКОВОДСТВО ПО ЭКСПЛУАТАЦИИ	12
КК	Бұрыштық ажарлағыш машина	ПАЙДАЛАНУ ЖӨНІНДЕГІ НҰҚАУЛЫҚ	21

**GA4030**  
**GA4530**  
**GA5030**



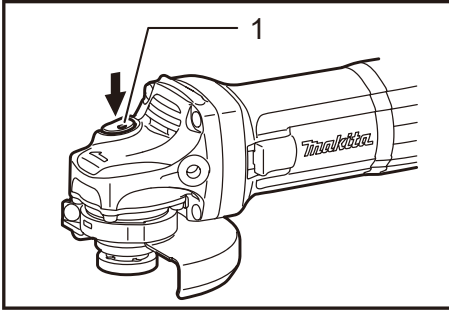


Fig.1

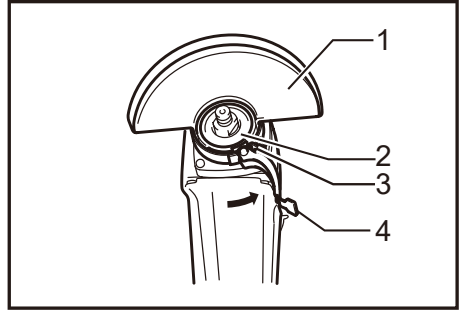


Fig.5

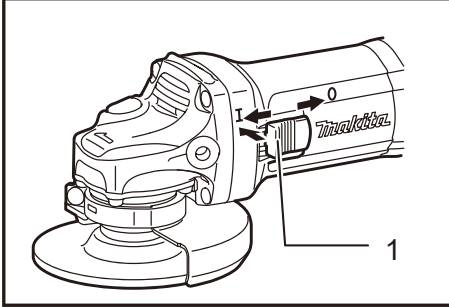


Fig.2

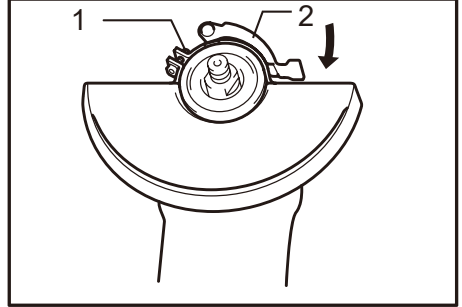


Fig.6

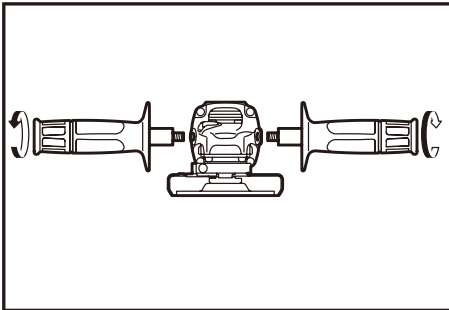


Fig.3

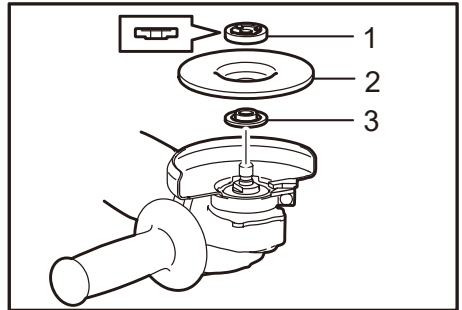


Fig.7

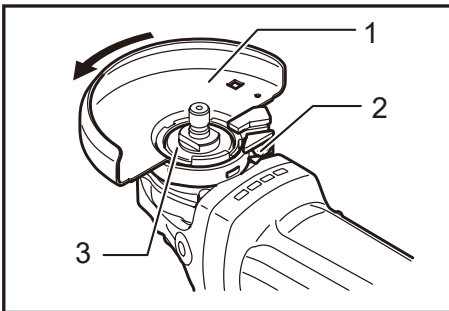


Fig.4

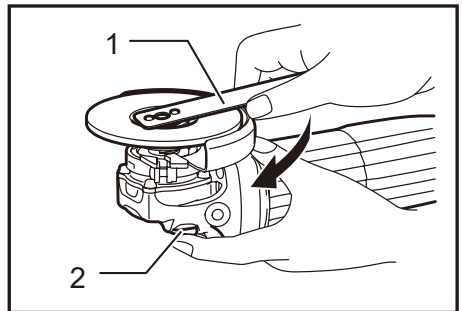


Fig.8

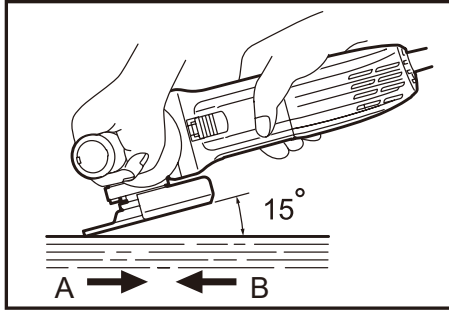


Fig.9

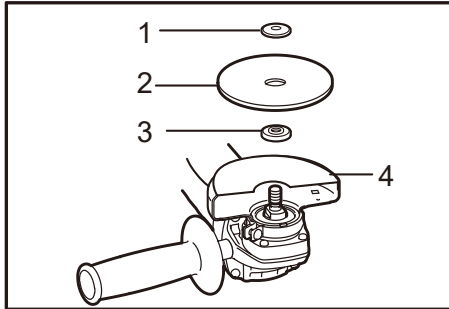


Fig.10

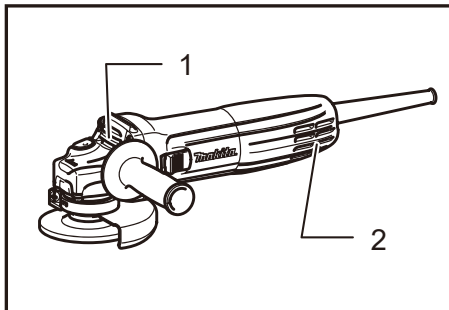


Fig.11

# SPECIFICATIONS

Model	GA4030	GA4530	GA5030
Depressed center wheel diameter	100 mm	115 mm	125 mm
Max. wheel thickness	6.4 mm	6.4 mm	6.4 mm
Spindle thread	M10	M14 or 5/8" (country specific)	M14 or 5/8" (country specific)
Rated speed (n)/No load speed (n <sub>0</sub> )	11,000 min <sup>-1</sup>	11,000 min <sup>-1</sup>	11,000 min <sup>-1</sup>
Overall length	266 mm	266 mm	266 mm
Net weight	1.7 kg	1.8 kg	1.8 kg
Safety class	□/II		

- Due to our continuing program of research and development, the specifications herein are subject to change without notice.
- Specifications may differ from country to country.
- Weight according to EPTA-Procedure 01/2003

## Symbols

The following show the symbols used for the equipment. Be sure that you understand their meaning before use.



Read instruction manual.



DOUBLE INSULATION



Wear safety glasses.



Only for EU countries  
Do not dispose of electric equipment together with household waste material! In observance of the European Directive, on Waste Electric and Electronic Equipment and its implementation in accordance with national law, electric equipment that have reached the end of their life must be collected separately and returned to an environmentally compatible recycling facility.

## Intended use

The tool is intended for grinding, sanding and cutting of metal and stone materials without the use of water.

## Power supply

The tool should be connected only to a power supply of the same voltage as indicated on the nameplate, and can only be operated on single-phase AC supply. They are double-insulated and can, therefore, also be used from sockets without earth wire.

## Noise

The typical A-weighted noise level determined according to EN60745:

Sound pressure level (L<sub>pA</sub>) : 85 dB (A)

Sound power level (L<sub>WA</sub>) : 96 dB (A)

Uncertainty (K) : 3 dB (A)

**Wear ear protection**

## Vibration

The vibration total value (tri-axial vector sum) determined according to EN60745:

### Model GA4030

Work mode : surface grinding

Vibration emission (a<sub>h,AG</sub>) : 7.0 m/s<sup>2</sup>

Uncertainty (K) : 1.5 m/s<sup>2</sup>

Work mode: disc sanding

Vibration emission (a<sub>h,DS</sub>) : 2.5 m/s<sup>2</sup> or less

Uncertainty (K) : 1.5 m/s<sup>2</sup>

### Model GA4530

Work mode : surface grinding

Vibration emission (a<sub>h,AG</sub>) : 7.5 m/s<sup>2</sup>

Uncertainty (K) : 1.5 m/s<sup>2</sup>

Work mode: disc sanding

Vibration emission (a<sub>h,DS</sub>) : 2.5 m/s<sup>2</sup> or less

Uncertainty (K) : 1.5 m/s<sup>2</sup>

### Model GA5030

Work mode : surface grinding

Vibration emission (a<sub>h,AG</sub>) : 8.5 m/s<sup>2</sup>

Uncertainty (K) : 1.5 m/s<sup>2</sup>

Work mode: disc sanding

Vibration emission (a<sub>h,DS</sub>) : 2.5 m/s<sup>2</sup> or less

Uncertainty (K) : 1.5 m/s<sup>2</sup>

**NOTE:** The declared vibration emission value has been measured in accordance with the standard test method and may be used for comparing one tool with another.

**NOTE:** The declared vibration emission value may also be used in a preliminary assessment of exposure.

**NOTE:** The declared vibration emission value is used for main applications of the power tool. However if the power tool is used for other applications, the vibration emission value may be different.

**⚠️WARNING:** The vibration emission during actual use of the power tool can differ from the declared emission value depending on the ways in which the tool is used.

**⚠️WARNING:** Be sure to identify safety measures to protect the operator that are based on an estimation of exposure in the actual conditions of use (taking account of all parts of the operating cycle such as the times when the tool is switched off and when it is running idle in addition to the trigger time).

## For European countries only

## EC Declaration of Conformity

**Makita declares that the following Machine(s):**

Designation of Machine:

Angle Grinder

Model No./ Type: GA4030,GA4530,GA5030

**Conforms to the following European Directives:**

2006/42/EC

They are manufactured in accordance with the following standard or standardized documents:

EN60745

The technical file in accordance with 2006/42/EC is available from:

Makita, Jan-Baptist Vinkstraat 2, 3070, Belgium

31.12.2013



Yasushi Fukaya  
Director

Makita, Jan-Baptist Vinkstraat 2, 3070, Belgium

## General Power Tool Safety Warnings

**⚠️WARNING** Read all safety warnings and all instructions. Failure to follow the warnings and instructions may result in electric shock, fire and/or serious injury.

## Save all warnings and instructions for future reference.

The term "power tool" in the warnings refers to your mains-operated (corded) power tool or battery-operated (cordless) power tool.

### Work area safety

1. **Keep work area clean and well lit.** Cluttered or dark areas invite accidents.
2. **Do not operate power tools in explosive atmospheres, such as in the presence of flammable liquids, gases or dust.** Power tools create sparks which may ignite the dust or fumes.
3. **Keep children and bystanders away while operating a power tool.** Distractions can cause you to lose control.

### Electrical safety

4. **Power tool plugs must match the outlet. Never modify the plug in any way. Do not use any adapter plugs with earthed (grounded) power tools.** Unmodified plugs and matching outlets will reduce risk of electric shock.

5. **Avoid body contact with earthed or grounded surfaces such as pipes, radiators, ranges and refrigerators.** There is an increased risk of electric shock if your body is earthed or grounded.
6. **Do not expose power tools to rain or wet conditions.** Water entering a power tool will increase the risk of electric shock.
7. **Do not abuse the cord. Never use the cord for carrying, pulling or unplugging the power tool. Keep cord away from heat, oil, sharp edges or moving parts.** Damaged or entangled cords increase the risk of electric shock.
8. **When operating a power tool outdoors, use an extension cord suitable for outdoor use.** Use of a cord suitable for outdoor use reduces the risk of electric shock.
9. **If operating a power tool in a damp location is unavoidable, use a residual current device (RCD) protected supply.** Use of an RCD reduces the risk of electric shock.
10. **Use of power supply via a RCD with a rated residual current of 30 mA or less is always recommended.**

### Personal safety

11. **Stay alert, watch what you are doing and use common sense when operating a power tool. Do not use a power tool while you are tired or under the influence of drugs, alcohol or medication.** A moment of inattention while operating power tools may result in serious personal injury.
  12. **Use personal protective equipment. Always wear eye protection.** Protective equipment such as dust mask, non-skid safety shoes, hard hat, or hearing protection used for appropriate conditions will reduce personal injuries.
  13. **Prevent unintentional starting. Ensure the switch is in the off-position before connecting to power source and/or battery pack, picking up or carrying the tool.** Carrying power tools with your finger on the switch or energising power tools that have the switch on invites accidents.
  14. **Remove any adjusting key or wrench before turning the power tool on.** A wrench or a key left attached to a rotating part of the power tool may result in personal injury.
  15. **Do not overreach. Keep proper footing and balance at all times.** This enables better control of the power tool in unexpected situations.
  16. **Dress properly. Do not wear loose clothing or jewellery. Keep your hair, clothing, and gloves away from moving parts.** Loose clothes, jewellery or long hair can be caught in moving parts.
  17. **If devices are provided for the connection of dust extraction and collection facilities, ensure these are connected and properly used.** Use of dust collection can reduce dust-related hazards.
- ### Power tool use and care
18. **Do not force the power tool. Use the correct power tool for your application.** The correct power tool will do the job better and safer at the rate for which it was designed.
  19. **Do not use the power tool if the switch does not turn it on and off.** Any power tool that cannot be controlled with the switch is dangerous and must be repaired.

20. Disconnect the plug from the power source and/or the battery pack from the power tool before making any adjustments, changing accessories, or storing power tools. Such preventive safety measures reduce the risk of starting the power tool accidentally.
  21. Store idle power tools out of the reach of children and do not allow persons unfamiliar with the power tool or these instructions to operate the power tool. Power tools are dangerous in the hands of untrained users.
  22. Maintain power tools. Check for misalignment or binding of moving parts, breakage of parts and any other condition that may affect the power tool's operation. If damaged, have the power tool repaired before use. Many accidents are caused by poorly maintained power tools.
  23. Keep cutting tools sharp and clean. Properly maintained cutting tools with sharp cutting edges are less likely to bind and are easier to control.
  24. Use the power tool, accessories and tool bits etc. in accordance with these instructions, taking into account the working conditions and the work to be performed. Use of the power tool for operations different from those intended could result in a hazardous situation.
- Service**
25. Have your power tool serviced by a qualified repair person using only identical replacement parts. This will ensure that the safety of the power tool is maintained.
  26. Follow instruction for lubricating and changing accessories.
  27. Keep handles dry, clean and free from oil and grease.

## GRINDER SAFETY WARNINGS

### Safety Warnings Common for Grinding, Sanding, Wire Brushing, or Abrasive Cutting-Off Operations:

1. This power tool is intended to function as a grinder, sander, wire brush or cut-off tool. Read all safety warnings, instructions, illustrations and specifications provided with this power tool. Failure to follow all instructions listed below may result in electric shock, fire and/or serious injury.
2. Operations such as polishing are not recommended to be performed with this power tool. Operations for which the power tool was not designed may create a hazard and cause personal injury.
3. Do not use accessories which are not specifically designed and recommended by the tool manufacturer. Just because the accessory can be attached to your power tool, it does not assure safe operation.
4. The rated speed of the accessory must be at least equal to the maximum speed marked on the power tool. Accessories running faster than their rated speed can break and fly apart.
5. The outside diameter and the thickness of your accessory must be within the capacity rating of your power tool. Incorrectly sized accessories cannot be adequately guarded or controlled.
6. Threaded mounting of accessories must match the grinder spindle thread. For accessories mounted by flanges, the arbour hole of the accessory must fit the locating diameter of the flange. Accessories that do not match the mounting hardware of the power tool will run out of balance, vibrate excessively and may cause loss of control.
7. Do not use a damaged accessory. Before each use inspect the accessory such as abrasive wheels for chips and cracks, backing pad for cracks, tear or excess wear, wire brush for loose or cracked wires. If power tool or accessory is dropped, inspect for damage or install an undamaged accessory. After inspecting and installing an accessory, position yourself and bystanders away from the plane of the rotating accessory and run the power tool at maximum no-load speed for one minute. Damaged accessories will normally break apart during this test time.
8. Wear personal protective equipment. Depending on application, use face shield, safety goggles or safety glasses. As appropriate, wear dust mask, hearing protectors, gloves and workshop apron capable of stopping small abrasive or workpiece fragments. The eye protection must be capable of stopping flying debris generated by various operations. The dust mask or respirator must be capable of filtering particles generated by your operation. Prolonged exposure to high intensity noise may cause hearing loss.
9. Keep bystanders a safe distance away from work area. Anyone entering the work area must wear personal protective equipment. Fragments of workpiece or of a broken accessory may fly away and cause injury beyond immediate area of operation.
10. Hold the power tool by insulated gripping surfaces only, when performing an operation where the cutting accessory may contact hidden wiring or its own cord. Cutting accessory contacting a "live" wire may make exposed metal parts of the power tool "live" and could give the operator an electric shock.
11. Position the cord clear of the spinning accessory. If you lose control, the cord may be cut or snagged and your hand or arm may be pulled into the spinning accessory.
12. Never lay the power tool down until the accessory has come to a complete stop. The spinning accessory may grab the surface and pull the power tool out of your control.
13. Do not run the power tool while carrying it at your side. Accidental contact with the spinning accessory could snag your clothing, pulling the accessory into your body.
14. Regularly clean the power tool's air vents. The motor's fan will draw the dust inside the housing and excessive accumulation of powdered metal may cause electrical hazards.
15. Do not operate the power tool near flammable materials. Sparks could ignite these materials.
16. Do not use accessories that require liquid coolants. Using water or other liquid coolants may result in electrocution or shock.

### Kickback and Related Warnings

Kickback is a sudden reaction to a pinched or snagged rotating wheel, backing pad, brush or any other accessory. Pinching or snagging causes rapid stalling of the rotating accessory which in turn causes the uncontrolled power tool to be forced in the direction opposite of the accessory's rotation at the point of the binding. For example, if an abrasive wheel is snagged or pinched by the workpiece, the edge of the wheel that is entering into the pinch point can dig into the surface of the material causing the wheel to climb out or kick out. The wheel may either jump toward or away from the operator, depending on direction of the wheel's movement at the point of pinching. Abrasive wheels may also break under these conditions.

Kickback is the result of power tool misuse and/or incorrect operating procedures or conditions and can be avoided by taking proper precautions as given below.

- a) **Maintain a firm grip on the power tool and position your body and arm to allow you to resist kickback forces. Always use auxiliary handle, if provided, for maximum control over kickback or torque reaction during start-up.** The operator can control torque reactions or kickback forces, if proper precautions are taken.
- b) **Never place your hand near the rotating accessory.** Accessory may kickback over your hand.
- c) **Do not position your body in the area where power tool will move if kickback occurs.** Kickback will propel the tool in direction opposite to the wheel's movement at the point of snagging.
- d) **Use special care when working corners, sharp edges etc. Avoid bouncing and snagging the accessory.** Corners, sharp edges or bouncing have a tendency to snag the rotating accessory and cause loss of control or kickback.
- e) **Do not attach a saw chain woodcarving blade or toothed saw blade.** Such blades create frequent kickback and loss of control.

### Safety Warnings Specific for Grinding and Abrasive Cutting-Off Operations:

- a) **Use only wheel types that are recommended for your power tool and the specific guard designed for the selected wheel.** Wheels for which the power tool was not designed cannot be adequately guarded and are unsafe.
- b) **The grinding surface of centre depressed wheels must be mounted below the plane of the guard lip.** An improperly mounted wheel that projects through the plane of the guard lip cannot be adequately protected.
- c) **The guard must be securely attached to the power tool and positioned for maximum safety, so the least amount of wheel is exposed towards the operator.** The guard helps to protect the operator from broken wheel fragments, accidental contact with wheel and sparks that could ignite clothing.
- d) **Wheels must be used only for recommended applications. For example: do not grind with the side of cut-off wheel.** Abrasive cut-off wheels are intended for peripheral grinding, side forces applied to these wheels may cause them to shatter.

e) **Always use undamaged wheel flanges that are of correct size and shape for your selected wheel.** Proper wheel flanges support the wheel thus reducing the possibility of wheel breakage. Flanges for cut-off wheels may be different from grinding wheel flanges.

f) **Do not use worn down wheels from larger power tools.** Wheel intended for larger power tool is not suitable for the higher speed of a smaller tool and may burst.

### Additional Safety Warnings Specific for Abrasive Cutting-Off Operations:

- a) **Do not "jam" the cut-off wheel or apply excessive pressure. Do not attempt to make an excessive depth of cut.** Overstressing the wheel increases the loading and susceptibility to twisting or binding of the wheel in the cut and the possibility of kickback or wheel breakage.
- b) **Do not position your body in line with and behind the rotating wheel.** When the wheel, at the point of operation, is moving away from your body, the possible kickback may propel the spinning wheel and the power tool directly at you.
- c) **When wheel is binding or when interrupting a cut for any reason, switch off the power tool and hold the power tool motionless until the wheel comes to a complete stop. Never attempt to remove the cut-off wheel from the cut while the wheel is in motion otherwise kickback may occur.** Investigate and take corrective action to eliminate the cause of wheel binding.
- d) **Do not restart the cutting operation in the workpiece. Let the wheel reach full speed and carefully re-enter the cut.** The wheel may bind, walk up or kickback if the power tool is restarted in the workpiece.
- e) **Support panels or any oversized workpiece to minimize the risk of wheel pinching and kickback.** Large workpieces tend to sag under their own weight. Supports must be placed under the workpiece near the line of cut and near the edge of the workpiece on both sides of the wheel.
- f) **Use extra caution when making a "pocket cut" into existing walls or other blind areas.** The protruding wheel may cut gas or water pipes, electrical wiring or objects that can cause kickback.

### Safety Warnings Specific for Sanding Operations:

- a) **Do not use excessively oversized sanding disc paper. Follow manufacturers recommendations, when selecting sanding paper.** Larger sanding paper extending beyond the sanding pad presents a laceration hazard and may cause snagging, tearing of the disc or kickback.

### Safety Warnings Specific for Wire Brushing Operations:

- a) **Be aware that wire bristles are thrown by the brush even during ordinary operation. Do not overstress the wires by applying excessive load to the brush.** The wire bristles can easily penetrate light clothing and/or skin.
- b) **If the use of a guard is recommended for wire brushing, do not allow interference of the wire wheel or brush with the guard.** Wire wheel or brush may expand in diameter due to work load and centrifugal forces.

### Additional Safety Warnings:

17. When using depressed centre grinding wheels, be sure to use only fiberglass-reinforced wheels.
18. **NEVER USE Stone Cup type wheels with this grinder.** This grinder is not designed for these types of wheels and the use of such a product may result in serious personal injury.
19. **Be careful not to damage the spindle, the flange (especially the installing surface) or the lock nut.** Damage to these parts could result in wheel breakage.
20. **Make sure the wheel is not contacting the workpiece before the switch is turned on.**
21. **Before using the tool on an actual workpiece, let it run for a while. Watch for vibration or wobbling that could indicate poor installation or a poorly balanced wheel.**
22. **Use the specified surface of the wheel to perform the grinding.**
23. **Do not leave the tool running. Operate the tool only when hand-held.**
24. **Do not touch the workpiece immediately after operation; it may be extremely hot and could burn your skin.**
25. **Observe the instructions of the manufacturer for correct mounting and use of wheels. Handle and store wheels with care.**
26. **Do not use separate reducing bushings or adaptors to adapt large hole abrasive wheels.**
27. **Use only flanges specified for this tool.**
28. **For tools intended to be fitted with threaded hole wheel, ensure that the thread in the wheel is long enough to accept the spindle length.**
29. **Check that the workpiece is properly supported.**
30. **Pay attention that the wheel continues to rotate after the tool is switched off.**
31. **If working place is extremely hot and humid, or badly polluted by conductive dust, use a short-circuit breaker (30 mA) to assure operator safety.**
32. **Do not use the tool on any materials containing asbestos.**
33. **When use cut-off wheel, always work with the dust collecting wheel guard required by domestic regulation.**
34. **Cutting discs must not be subjected to any lateral pressure.**

## SAVE THESE INSTRUCTIONS.

**⚠WARNING:** DO NOT let comfort or familiarity with product (gained from repeated use) replace strict adherence to safety rules for the subject product. MISUSE or failure to follow the safety rules stated in this instruction manual may cause serious personal injury.

## FUNCTIONAL DESCRIPTION

### ⚠CAUTION:

- Always be sure that the tool is switched off and unplugged before adjusting or checking function on the tool.

### Shaft lock

► Fig.1: 1. Shaft lock

### ⚠CAUTION:

- Never actuate the shaft lock when the spindle is moving. The tool may be damaged.

Press the shaft lock to prevent spindle rotation when installing or removing accessories.

### Switch action

► Fig.2: 1. Switch lever

### ⚠CAUTION:

- Before plugging in the tool, always check to see that the slide switch actuates properly and returns to the "OFF" position when the rear of the slide switch is depressed.

To start the tool, slide the switch lever toward the "I (ON)" position. For continuous operation, press the front of the switch lever to lock it.

To stop the tool, press the rear of the switch lever, then slide it toward the "O (OFF)" position.

## ASSEMBLY

### ⚠CAUTION:

- Always be sure that the tool is switched off and unplugged before carrying out any work on the tool.

### Installing side grip (handle)

► Fig.3

### ⚠CAUTION:

- Always be sure that the side grip is installed securely before operation.

Screw the side grip securely on the position of the tool as shown in the figure.



## Installing or removing wheel guard (For depressed center wheel, multi disc / abrasive cut-off wheel, diamond wheel)

### For tool with locking screw type wheel guard

► Fig.4: 1. Wheel guard 2. Screw 3. Bearing box

#### **⚠WARNING:**

- When using a depressed center grinding wheel/ Multi-disc, flex wheel, wire wheel brush, cut-off wheel or diamond wheel, the wheel guard must be fitted on the tool so that the closed side of the guard always points toward the operator.
- When using an abrasive cut-off / diamond wheel, be sure to use only the special wheel guard designed for use with cut-off wheels. (In European countries, when using a diamond wheel, the ordinary guard can be used.)

Mount the wheel guard with the protrusion on the wheel guard band aligned with the notch on the bearing box. Then rotate the wheel guard to such an angle that it can protect the operator according to work. Be sure to tighten the screw securely. To remove wheel guard, follow the installation procedure in reverse.

### For tool with clamp lever type wheel guard

► Fig.5: 1. Wheel guard 2. Bearing box 3. Screw 4. Lever

► Fig.6: 1. Screw 2. Lever

Loosen the lever on the wheel guard after loosening the screw. Mount the wheel guard with the protrusion on the wheel guard band aligned with the notch on the bearing box. Then rotate the wheel guard around to the position shown in the figure. Tighten the lever to fasten the wheel guard. If the lever is too tight or too loose to fasten the wheel guard, loosen or tighten the screw to adjust the tightening of the wheel guard band. To remove wheel guard, follow the installation procedure in reverse.

## Installing or removing depressed center grinding wheel/Multi-disc

► Fig.7: 1. Lock nut 2. Depressed center grinding wheel/Multi-disc 3. Inner flange

#### **⚠WARNING:**

- Always use supplied guard when depressed center grinding wheel/Multi-disc is on tool. Wheel can shatter during use and guard helps to reduce chances of personal injury.

Mount the inner flange onto the spindle. Fit the wheel/disc on the inner flange and screw the lock nut onto the spindle. To tighten the lock nut, press the shaft lock firmly so that the spindle cannot revolve, then use the lock nut wrench and securely tighten clockwise.

► Fig.8: 1. Lock nut wrench 2. Shaft lock

To remove the wheel, follow the installation procedure in reverse.

**⚠WARNING:** Only actuate the shaft lock when the spindle is not moving.

## OPERATION

#### **⚠WARNING:**

- It should never be necessary to force the tool. The weight of the tool applies adequate pressure. Forcing and excessive pressure could cause dangerous wheel breakage.
- ALWAYS replace wheel if tool is dropped while grinding.
- NEVER bang or hit grinding disc or wheel onto work.
- Avoid bouncing and snagging the wheel, especially when working corners, sharp edges etc. This can cause loss of control and kickback.
- NEVER use tool with wood cutting blades and other saw blades. Such blades when used on a grinder frequently kick and cause loss of control leading to personal injury.

#### **⚠CAUTION:**

- After operation, always switch off the tool and wait until the wheel has come to a complete stop before putting the tool down.

## Grinding and sanding operation

ALWAYS hold the tool firmly with one hand on housing and the other on the side handle. Turn the tool on and then apply the wheel or disc to the workpiece.

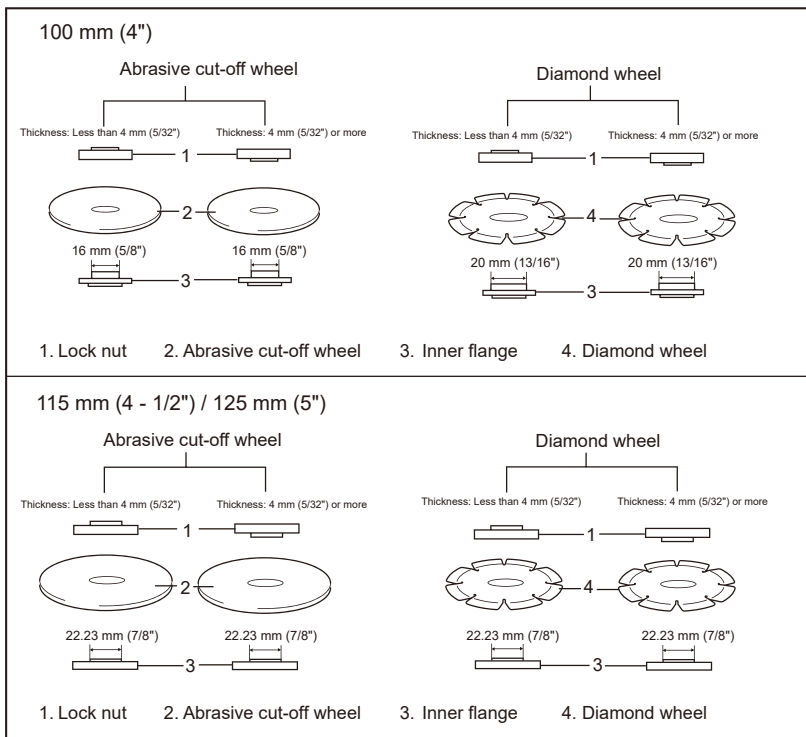
In general, keep the edge of the wheel or disc at an angle of about 15 degrees to the workpiece surface. During the break-in period with a new wheel, do not work the grinder in the B direction or it will cut into the workpiece. Once the edge of the wheel has been rounded off by use, the wheel may be worked in both A and B direction.

► Fig.9

# Operation with abrasive cut-off / diamond wheel (optional accessory)

► **Fig.10:** 1. Lock nut 2. Abrasive cut-off wheel/diamond wheel 3. Inner flange 4. Wheel guard for abrasive cut-off wheel/diamond wheel

The direction for mounting the lock nut and the inner flange varies by wheel thickness.  
Refer to the table below.



### **▲WARNING:**

- When using an abrasive cut-off / diamond wheel, be sure to use only the special wheel guard designed for use with cut-off wheels. (In European countries, when using a diamond wheel, the ordinary guard can be used.)
- NEVER use cut-off wheel for side grinding.
- Do not "jam" the wheel or apply excessive pressure. Do not attempt to make an excessive depth of cut. Overstressing the wheel increases the loading and susceptibility to twisting or binding of the wheel in the cut and the possibility of kickback, wheel breakage and overheating of the motor may occur.
- Do not start the cutting operation in the workpiece. Let the wheel reach full speed and carefully enter into the cut moving the tool forward over the workpiece surface. The wheel may bind, walk up or kickback if the power tool is started in the workpiece.
- During cutting operations, never change the angle of the wheel. Placing side pressure on the cut-off wheel (as in grinding) will cause the wheel to crack and break, causing serious personal injury.
- A diamond wheel shall be operated perpendicular to the material being cut.

## MAINTENANCE

### **▲CAUTION:**

- Always be sure that the tool is switched off and unplugged before attempting to perform inspection or maintenance.
- Never use gasoline, benzine, thinner, alcohol or the like. Discoloration, deformation or cracks may result.

► **Fig.11:** 1. Exhaust vent 2. Inhalation vent

The tool and its air vents have to be kept clean.

Regularly clean the tool's air vents or whenever the vents start to become obstructed.

To maintain product SAFETY and RELIABILITY, repairs, carbon brush inspection and replacement, any other maintenance or adjustment should be performed by Makita Authorized Service Centers, always using Makita replacement parts.

## OPTIONAL ACCESSORIES

### **▲CAUTION:**

- These accessories or attachments are recommended for use with your Makita tool specified in this manual. The use of any other accessories or attachments might present a risk of injury to persons. Only use accessory or attachment for its stated purpose.

If you need any assistance for more details regarding these accessories, ask your local Makita Service Center.

- Wheel guard (Wheel cover) for depressed center wheel / Multi disc
- Wheel guard (Wheel cover) for abrasive cut-off wheel / diamond wheel
- Depressed center wheels
- Abrasive cut-off wheels
- Multi discs
- Diamond wheels
- Wire cup brushes
- Wire bevel brush 85
- Abrasive discs
- Inner flange
- Lock nut for depressed center wheel / abrasive cut-off wheel / multi disc / diamond wheel
- Lock nut for abrasive disc
- Lock nut wrench
- Side grip

### **NOTE:**

- Some items in the list may be included in the tool package as standard accessories. They may differ from country to country.

## ТЕХНИЧЕСКИЕ ХАРАКТЕРИСТИКИ

Модель	GA4030	GA4530	GA5030
Диаметр диска с вогнутым центром	100 мм	115 мм	125 мм
Макс. толщина круга	6,4 мм	6,4 мм	6,4 мм
Резьба шпинделя	M10	M14 или 5/8" (зависит от страны)	M14 или 5/8" (зависит от страны)
Номинальное число оборотов (n) / Число оборотов без нагрузки (n <sub>0</sub> )	11 000 мин <sup>-1</sup>	11 000 мин <sup>-1</sup>	11 000 мин <sup>-1</sup>
Общая длина	266 мм	266 мм	266 мм
Вес нетто	1,7 кг	1,8 кг	1,8 кг
Класс безопасности	□/II		

- Благодаря нашей постоянно действующей программе исследований и разработок, указанные здесь технические характеристики могут быть изменены без предварительного уведомления.
- Технические характеристики могут различаться в зависимости от страны.
- Масса в соответствии с процедурой EPTA 01/2003

### Символы

Ниже приведены символы, используемые для электроинструмента. Перед использованием убедитесь, что вы понимаете их значение.



Прочитайте руководство пользователя.



ДВОЙНАЯ ИЗОЛЯЦИЯ



Надевайте защитные очки.



Только для стран ЕС  
Не утилизируйте данный электроинструмент вместе с бытовыми отходами!  
В рамках соблюдения Европейской Директивы по утилизации электрического и электронного оборудования и ее применения в соответствии с национальным законодательством, электрооборудование в конце срока своей службы должно утилизироваться отдельно и передаваться для его утилизации на предприятие, соответствующее применяемым правилам охраны окружающей среды.

### Назначение

Инструмент предназначен для шлифовки, зачистки и резки материалов из металла и камня без использования воды.

### Питание

Подключайте данный инструмент только к тому источнику питания, напряжение которого соответствует напряжению, указанному на паспортной табличке. Инструмент предназначен для работы от источника однофазного переменного тока. Он имеет двойную изоляцию и поэтому может подключаться к розеткам без заземления.

### Шум

Типичный уровень взвешенного звукового давления (A), измеренный в соответствии с EN60745:

Уровень звукового давления (L<sub>рA</sub>): 85 дБ (A)

Уровень звуковой мощности (L<sub>вA</sub>): 96 дБ (A)

Погрешность (K): 3 дБ (A)

Используйте средства защиты слуха

### Вибрация

Суммарное значение вибрации (сумма векторов по трем осям) определяется по следующим параметрам EN60745:

#### Модель GA4030

Рабочий режим: шлифовка поверхности

Распространение вибрации (a<sub>h,AG</sub>): 7,0 м/с<sup>2</sup>

Погрешность (K): 1,5 м/с<sup>2</sup>

Рабочий режим: шлифовка диском

Распространение вибрации (a<sub>h,DS</sub>): 2,5 м/с<sup>2</sup> или менее

Погрешность (K): 1,5 м/с<sup>2</sup>

#### Модель GA4530

Рабочий режим: шлифовка поверхности

Распространение вибрации (a<sub>h,AG</sub>): 7,5 м/с<sup>2</sup>

Погрешность (K): 1,5 м/с<sup>2</sup>

Рабочий режим: шлифовка диском

Распространение вибрации (a<sub>h,DS</sub>): 2,5 м/с<sup>2</sup> или менее

Погрешность (K): 1,5 м/с<sup>2</sup>

#### Модель GA5030

Рабочий режим: шлифовка поверхности

Распространение вибрации (a<sub>h,AG</sub>): 8,5 м/с<sup>2</sup>

Погрешность (K): 1,5 м/с<sup>2</sup>

Рабочий режим: шлифовка диском

Распространение вибрации (a<sub>h,DS</sub>): 2,5 м/с<sup>2</sup> или менее

Погрешность (K): 1,5 м/с<sup>2</sup>

**ПРИМЕЧАНИЕ:** Заявленное значение распространения вибрации измерено в соответствии со стандартной методикой испытаний и может быть использовано для сравнения инструментов.

**ПРИМЕЧАНИЕ:** Заявленное значение распространения вибрации можно также использовать для предварительных оценок воздействия.

**ПРИМЕЧАНИЕ:** Заявленное значение распространения вибрации относится к основным операциям, выполняемым с помощью электроинструмента. Однако если электроинструмент используется для других целей, уровень вибрации может отличаться.

**⚠ОСТОРОЖНО:** Распространение вибрации во время фактического использования электроинструмента может отличаться от заявленного значения в зависимости от способа применения инструмента.

**⚠ОСТОРОЖНО:** Обязательно определите меры безопасности для защиты оператора, основанные на оценке воздействия в реальных условиях использования (с учетом всех этапов рабочего цикла, таких как выключение инструмента, работа без нагрузки и включение).

## Только для европейских стран

### Декларация о соответствии ЕС

**Makita заявляет, что следующее устройство (устройства):**

Обозначение устройства:

Угловая шлифмашина

Модель / тип: GA4030, GA4530, GA5030

**Соответствует (-ют) следующим директивам ЕС:**  
2006/42/ЕС

Изготовлены в соответствии со следующим стандартом или нормативными документами:  
EN60745

Технический файл в соответствии с документом 2006/42/ЕС доступен по адресу:

Makita, Jan-Baptist Vinkstraat 2, 3070, Belgium

31.12.2013



Ясуси Фукайа (Yasushi Fukaya)

Директор

Makita, Jan-Baptist Vinkstraat 2, 3070, Belgium

### Общие рекомендации по технике безопасности для электроинструментов

**⚠ПРЕДУПРЕЖДЕНИЕ** Ознакомьтесь со всеми инструкциями и рекомендациями по технике безопасности. Невыполнение инструкций и рекомендаций может привести к поражению электротоком, пожару и/или тяжелым травмам.

### Сохраните брошюру с инструкциями и рекомендациями для дальнейшего использования.

Термин "электроинструмент" в предупреждениях относится ко всему инструменту, работающему от сети или на аккумуляторах.

#### Безопасность в месте выполнения работ

1. Рабочее место должно быть чистым и хорошо освещенным. Захламление и плохое освещение могут стать причиной несчастных случаев.
2. Не пользуйтесь электроинструментом во взрывоопасной атмосфере, например в присутствии легко воспламеняющихся жидкостей, газов или пыли. При работе электроинструмента возникают искры, которые могут привести к воспламенению пыли или газов.

3. При работе с электроинструментом не допускайте детей или посторонних к месту выполнения работ. Не отвлекайтесь во время работы, так как это приведет к потере контроля над электроинструментом.

#### Электробезопасность

4. Вилка электроинструмента должна соответствовать сетевой розетке. Никогда не вносите никаких изменений в конструкцию розетки. При использовании электроинструмента с заземлением не используйте переходники. Розетки и вилки, не подвергавшиеся изменениям, снижают риск поражения электрическим током.
5. Избегайте контакта участков тела с заземленными поверхностями, такими как трубы, радиаторы, батареи отопления и холодильники. При контакте тела с заземленными предметами увеличивается риск поражения электрическим током.
6. Не подвергайте электроинструмент воздействию дождя или влаги. Попадание воды в электроинструмент повышает риск поражения электрическим током.
7. Аккуратно обращайтесь со шнуром питания. Никогда не используйте шнур питания для переноски, перемещения или извлечения вилки из розетки. Располагайте шнур на расстоянии от источников тепла, масла, острых краев и движущихся деталей. Поврежденные или запутанные сетевые шнуры увеличивают риск поражения электрическим током.
8. При использовании электроинструмента вне помещения используйте удлинитель, подходящий для этих целей. Использование соответствующего шнура снижает риск поражения электрическим током.
9. Если электроинструмент приходится эксплуатировать в сыром месте, используйте линию электропитания, которая защищена устройством, срабатывающим от остаточного тока (RCD). Использование RCD снижает риск поражения электротоком.
10. Рекомендуются использовать питание через RCD с номинальным остаточным током 30 мА или менее.

#### Личная безопасность

11. При использовании электроинструмента будьте бдительны, следите за тем, что вы делаете, и руководствуйтесь здравым смыслом. Не пользуйтесь электроинструментом, если вы устали, находитесь под воздействием наркотиков, алкоголя или лекарственных препаратов. Даже мгновенная невнимательность при использовании электроинструмента может привести к серьезной травме.
12. Используйте средства индивидуальной защиты. Обязательно надевайте защитные очки. Такие средства индивидуальной защиты, как респиратор, защитная нескользящая обувь, каска или наушники, используемые в соответствующих условиях, позволяют снизить риск получения травмы.

13. Не допускайте случайного включения устройства. Прежде чем подсоединять инструмент к источнику питания и/или аккумуляторной батарее, поднимать или переносить инструмент, убедитесь, что переключатель находится в выключенном положении. Переноска электроинструмента с пальцем на выключателе или подача питания на инструмент с включенным выключателем может привести к несчастному случаю.
14. Перед включением электроинструмента снимите с него все регулировочные инструменты и гаечные ключи. Гаечный или регулировочный ключ, оставшийся закрепленным на вращающейся детали, может привести к травме.
15. При эксплуатации устройства не тяните. Всегда сохраняйте устойчивое положение и равновесие. Это позволит лучше управлять электроинструментом в непредвиденных ситуациях.
16. Одевайтесь соответствующим образом. Не надевайте свободную одежду или украшения. Ваши волосы, одежда и перчатки должны всегда находиться на расстоянии от вращающихся деталей. Свободная одежда, украшения или длинные волосы могут попасть в движущиеся детали устройства.
17. Если имеются устройства для подключения пылесборника или вытяжки, убедитесь, что они подсоединены и правильно используются. Использование пылесборника снижает вероятность возникновения рисков, связанных с пылью.

#### **Использование и уход за электроинструментом**

18. Не прилагайте излишних усилий к электроинструменту. Используйте инструмент, соответствующий выполняемой вами работе. Правильно подобранный электроинструмент позволит выполнить работу лучше и безопаснее с производительностью, на которую он рассчитан.
19. Не пользуйтесь электроинструментом с неисправным выключателем. Любой электроинструмент с неисправным выключателем опасен и должен быть отремонтирован.
20. Перед выполнением регулировок, сменой принадлежностей или хранением электроинструмента всегда отключайте его от источника питания и/или от аккумулятора. Такие превентивные меры предосторожности снижают риск случайного включения электроинструмента.
21. Храните электроинструменты в местах, недоступных для детей, и не позволяйте лицам, не знакомым с работой такого инструмента или не прочитавшим данные инструкции, пользоваться им. Электроинструмент опасен в руках неопытных пользователей.
22. Выполняйте техническое обслуживание электроинструментов. Убедитесь в соосности, отсутствии деформаций движущихся узлов, поломок каких-либо деталей или других дефектов, которые могут повлиять на работу электроинструмента. Если инструмент поврежден, отремонтируйте его перед использованием. Большое число несчастных случаев происходит из-за плохого ухода за электроинструментом.

23. Режущий инструмент всегда должен быть острым и чистым. Соответствующее обращение с режущим инструментом, имеющим острые режущие кромки, делает его менее подверженным деформациям, что позволяет лучше управлять им.
24. Используйте электроинструмент, принадлежности, приспособления и насадки в соответствии с данными инструкциями и в целях, для которых он предназначен, учитывая при этом условия и вид выполняемой работы. Использование электроинструмента не по назначению может привести к возникновению опасной ситуации.

#### **Обслуживание**

25. Обслуживание электроинструмента должно проводиться только квалифицированным специалистом по ремонту и только с использованием идентичных запасных частей. Это позволит обеспечить безопасность электроинструмента.
26. Следуйте инструкциям по смазке и замене принадлежностей.
27. Ручки инструмента всегда должны быть сухими и чистыми и не должны быть смазаны маслом или смазкой.

## **ПРАВИЛА ТЕХНИКИ БЕЗОПАСНОСТИ ПРИ ЭКСПЛУАТАЦИИ УГЛОВОЙ ШЛИФМАШИНЫ**

Общие предупреждения о безопасности для операций шлифования, зачистки проволочной щеткой и абразивной резки:

1. Данный электроинструмент предназначен для шлифования, зачистки проволочной щеткой и абразивной резки. Ознакомьтесь со всеми представленными инструкциями по технике безопасности, указаниями, иллюстрациями и техническими характеристиками, прилагаемыми к данному инструменту. Несоблюдение всех инструкций, указанных ниже, может привести к поражению электрическим током, пожару и/или серьезной травме.
2. Не рекомендуется пользоваться данным инструментом для выполнения таких операций, как полировка. Использование инструмента не по назначению может создать опасную ситуацию и стать причиной травмы.
3. Не используйте принадлежности других производителей, не рекомендованные производителем данного инструмента. Даже если принадлежность удастся закрепить на инструменте, это не обеспечит безопасность эксплуатации.
4. Номинальная скорость принадлежности должна быть как минимум равна максимальной скорости, обозначенной на инструменте. При превышении номинальной скорости принадлежности последняя может разломиться на части.
5. Внешний диаметр и толщина принадлежности должны соответствовать номинальной мощности инструмента. Принадлежности неправильного размера не обеспечивают безопасность работы.

6. Резьбовые отверстия дополнительных принадлежностей должны совпадать с резьбой шпинделя шлифовальной машины. Для принадлежностей, устанавливаемых с помощью фланцев, отверстие для шпинделя на принадлежности должно соответствовать диаметру фланца. Несоответствие посадочного размера принадлежности и монтажного узла электроинструмента может привести к нарушению балансировки, сильной вибрации и к потере контроля над инструментом.
7. Не используйте поврежденные принадлежности. Перед каждым использованием принадлежностей типа абразивных дисков проверяйте их на наличие сколов и трещин, проверяйте опорные фланцы на наличие трещин, задиров или чрезмерного износа, а проволочные щетки - на наличие выпавших или сломанных проволок. Если вы уронили инструмент или принадлежность, осмотрите их на предмет повреждений либо установите неповрежденную принадлежность. После осмотра и установки принадлежности удалите посторонних из рабочей зоны, встаньте в стороне от плоскости вращения принадлежности и включите инструмент на максимальную мощность без нагрузки, дав ему поработать в течение одной минуты. Поврежденные принадлежности в течение этого времени обычно ломаются.
8. Надевайте средства индивидуальной защиты. В зависимости от выполняемой операции надевайте предохранительный щиток для лица, защитные очки или защитную маску. При необходимости используйте респиратор, средства защиты слуха, перчатки и передник, способный защитить от мелких фрагментов абразива или заготовки. Средства защиты глаз должны быть способны остановить осколки, разлетающиеся при различных операциях. Противогазовая маска или респиратор должны задерживать частицы, образующиеся при работе. Продолжительное воздействие громкого шума может привести к потере слуха.
9. Посторонние должны находиться на безопасном расстоянии от рабочего места. Любой приближающийся к рабочему месту должен предварительно надеть индивидуальные средства защиты. Осколки заготовки или сломавшейся принадлежности могут разлетаться и причинить травму даже на значительном удалении от рабочего места.
10. Если при выполнении работ существует риск контакта режущего инструмента со скрытой электропроводкой или собственным шнуром питания, держите электроинструмент только за специально предназначенные изолированные поверхности. Контакт с проводом под напряжением приведет к тому, что металлические детали инструмента также будут под напряжением, что приведет к поражению оператора электрическим током.
11. Располагайте шнур питания на удалении от вращающейся принадлежности. Если вы не удержите инструмент, возможно случайное разрезание или повреждение шнура, а также затягивание руки вращающейся принадлежностью.
12. Не кладите инструмент, пока принадлежность полностью не остановится. Вращающаяся насадка может коснуться поверхности, и вы не удержите инструмент.
13. Не включайте инструмент во время переноски. Случайный контакт с вращающейся принадлежностью может привести к заземлению одежды и притягиванию принадлежности к телу.
14. Регулярно прочищайте вентиляционные отверстия инструмента. Вентилятор электродвигателя засасывает пыль внутрь корпуса, а значительные отложения металлической пыли могут привести к поражению электрическим током.
15. Не используйте инструмент вблизи горючих материалов. Эти материалы могут воспламениться от искр.
16. Не используйте принадлежности, требующие жидкостного охлаждения. Использование воды или других охлаждающих жидкостей может привести к поражению электротоком.

#### **Отдача и соответствующие предупреждения**

Отдача – это мгновенная реакция на неожиданное застопоривание вращающегося диска или другой принадлежности. Застревание или застопоривание вызывает резкую остановку вращающейся принадлежности, что, в свою очередь, приводит к неконтролируемому рывку инструмента в направлении, противоположном вращению принадлежности в момент застревания. Например, если абразивный диск застопорится или застрянет в заготовке, край диска, входящий в точку заклинивания, может врезаться в поверхность материала, в результате чего диск поведет вверх или отбросит. Диск может совершить рывок в направлении оператора или обратно, в зависимости от направления перемещения диска в точке заклинивания. В такой ситуации абразивные диски могут даже сломаться. Отдача – это результата неправильного использования инструмента и/или неправильных процедур или условий эксплуатации. Ее можно избежать, соблюдая предосторожности, указанные ниже.

- a) Крепко держите инструмент и располагайте тело и руки таким образом, чтобы иметь возможность противостоять силе, возникающей при отдаче. Обязательно пользуйтесь вспомогательной рукояткой (если имеется), чтобы обеспечить максимальный контроль над отдачей или крутящим моментом во время пуска. Оператор способен справиться с крутящим моментом и силами отдачи при условии соблюдения соответствующих мер безопасности.
- b) Не подносите руки к вращающейся принадлежности. При отдаче можно повредить руки.
- c) Не становитесь на возможной траектории движения инструмента в случае отдачи. При отдаче инструмент сместится в направлении, противоположном вращению диска в момент застревания.
- d) Соблюдайте особую осторожность при обработке углов, острых краев и т.п. Не допускайте рывков и блокировки принадлежности. Углы, острые края или рывки могут привести к блокировке вращающейся принадлежности и стать причиной потери контроля или вызвать отдачу.
- e) Не устанавливайте на инструмент пильную цепь, принадлежность для резбы по дереву или дисковую пилу. Такие насадки часто приводят к возникновению отдачи и потере контроля над инструментом.

**Специальные предупреждения о безопасности для операций шлифования и абразивной резки:**

- a) **Используйте диски только рекомендованных типов и специальные защитные приспособления, разработанные для выбранного диска.** Диски, не предназначенные для данного инструмента, не обеспечивают достаточную степень защиты и небезопасны.
- b) **Шлифовальная поверхность дисков с углубленным центром должна быть установлена под плоской поверхностью кромок кожуха.** Для неправильно установленного диска, выступающего над плоской поверхностью кромок кожуха, надлежащая защита не гарантируется.
- c) **Кожух должно быть надежно закреплен на инструменте и установлен так, чтобы обеспечивать максимальную безопасность, чтобы как можно меньший сегмент диска выступал наружу.** Кожух помогает обезопасить оператора от разлета осколков разрушившегося диска, случайного прикосновения к диску и искр, которые могут воспламенить одежду.
- d) **Диски должны использоваться только по рекомендованному назначению.** Например: **не шлифуйте край отрезного диска.** Абразивные отрезные диски предназначены для периферийного шлифования, боковые усилия, приложенные к таким дискам, могут вызвать их разрушение.
- e) **Обязательно используйте неповрежденные фланцы для дисков соответствующего размера и формы.** Подходящие фланцы поддерживают диск, снижая вероятность его разрушения. Фланцы для отрезных дисков могут отличаться от фланцев для шлифовальных дисков.
- f) **Не используйте изношенные диски от более крупных электроинструментов.** Диски, предназначенные для более мощного электроинструмента, не подходят для высокоскоростного электроинструмента меньшей мощности и могут разорваться.

**Дополнительные специальные предупреждения о безопасности для операций абразивной резки:**

- a) **Не "заклинивайте" отрезной диск и не прикладывайте к нему чрезмерное давление.** Не пытайтесь делать слишком глубокий разрез. Перенапряжение диска увеличивает его нагрузку и восприимчивость к короблению или прихватуванию в прорези, а также возможность отдачи или поломки диска.
- b) **Не становитесь на одной линии или позади вращающегося диска.** Если во время операции диск движется от вас, то при отдаче вращающийся диск и инструмент может отбросить прямо на вас.
- c) **Если диск застрял или процесс резания прерывается по другой причине, выключите электроинструмент и держите его неподвижно до полной остановки диска.** Не пытайтесь извлечь отрезной диск из разреза до полной остановки диска, в противном случае может возникнуть отдача. Выясните и устраните причину застревания диска.

- d) **Не перепазуйте отрезной диск, пока он находится в детали.** Дождитесь, пока диск разовьет максимальную скорость, и осторожно погрузите его в разрез. Диск может застрять или может быть отброшен вверх или назад, если перепазутист электроинструмент непосредственно в детали.
- e) **Устанавливайте опоры под панели или большие детали, чтобы уменьшить риск застревания диска и возникновения отдачи.** Большие детали имеют тенденцию к прогибу под собственным весом. При резании таких панелей необходимо поместить опоры под разрезаемую деталью рядом с линией разреза и рядом с краем детали с обеих сторон диска.
- f) **Будьте особенно осторожны при выполнении "врезки" в существующих стенах или на других неизвестных участках.** Выступающий диск может натолкнуться на газовую или водопроводную трубу, электропроводку или предметы, которые могут привести к отдаче.

**Специфические инструкции по технике безопасности, относящиеся к операциям шлифовки:**

- a) **Не пользуйтесь шлифовальным диском слишком большого размера.** При выборе наждачной бумаги следуйте рекомендациям производителя. Большие размеры наждачной бумаги, выступающей за края подложки, могут привести к разрыву бумаги, застреванию, разрушению диска или отдаче.

**Специфические инструкции по технике безопасности, относящиеся к операциям очистки проволочной щеткой:**

- a) **Берегитесь проволок, которые разлетаются от щетки даже в нормальном режиме работы.** Не прикладывайте чрезмерное усилие на проволоку, слишком сильно нажимая на щетку. Проволока щетки может легко пробить одежду и/или кожу.
- b) **Если для работы по очистке проволочными щётками рекомендуется использовать кожух, не допускайте контакта проволочного диска или щетки с кожухом.** Проволочный диск или щётка могут увеличиваться в диаметре под воздействием нагрузки и центробежных сил.

**Дополнительные предупреждения по безопасности:**

17. **При использовании дисков с углубленным центром используйте только диски армированные стекловолокном.**
18. **ЗАПРЕЩАЕТСЯ ИСПОЛЬЗОВАТЬ с этим инструментом шлифовальные чашки для камня.** Данная шлифовальная машина не предназначена для принадлежностей такого типа, их использование может привести к тяжелой травме.
19. **Будьте осторожны во избежание повреждения шпинделя, фланца (особенно его установочной поверхности) или контргайки.** Повреждения этих деталей могут привести к поломке диска.
20. **Перед включением выключателя убедитесь, что диск не касается детали.**



21. Перед тем как использовать инструмент для фактических работ, дайте ему немного поработать вхолостую. Следите за вибрацией или биением, которые могут свидетельствовать о неправильной установке или плохой балансировке диска.
22. Для выполнения шлифовки пользуйтесь соответствующей поверхностью диска.
23. Не оставляйте работающий инструмент без присмотра. Включайте инструмент только тогда, когда он находится в руках.
24. Сразу после окончания работ не прикасайтесь к обработанной детали. Она может быть очень горячей, что приведет к ожогам кожи.
25. Соблюдайте инструкции изготовителя по правильной установке и использованию дисков. Бережно обращайтесь с дисками и аккуратно храните их.
26. Не пользуйтесь отдельными переходными втулками или адаптерами для крепления абразивных дисков с большими отверстиями.
27. Используйте только фланцы, указанные для данного инструмента.
28. Для инструментов, предназначенных для использования дисков с резьбовым отверстием, убедитесь, что резьба диска достаточна, чтобы диск можно было полностью завернуть на шпindel.
29. Убедитесь, что обрабатываемая деталь имеет надлежащую опору.
30. Обратите внимание на то, что диск будет некоторое время вращаться после выключения инструмента.
31. Если в месте выполнения работ очень высокая температура и влажность или в ней содержится большое количество токопроводящей пыли, используйте прерыватель цепи (30 МА) для обеспечения безопасности работ.
32. Не используйте инструмент на любых материалах, содержащих асбест.
33. При использовании отрезного диска, всегда работайте с защитным кожухом диска для сбора пыли, установка которого необходима в соответствии с местными нормативными требованиями.
34. Не подвергайте отрезные диски какому-либо боковому давлению.

## СОХРАНИТЕ ДАННЫЕ ИНСТРУКЦИИ.

**▲ОСТОРОЖНО: НЕ ДОПУСКАЙТЕ**, чтобы удобство или опыт эксплуатации данного устройства (полученный от многократного использования) доминировали над строгим соблюдением правил техники безопасности при обращении с этим устройством. **НЕПРАВИЛЬНОЕ ИСПОЛЬЗОВАНИЕ** инструмента или несоблюдение правил техники безопасности, указанных в данном руководстве, может привести к тяжелой травме.

## ОПИСАНИЕ ФУНКЦИОНИРОВАНИЯ

### ▲ВНИМАНИЕ:

- Перед проведением регулировки или проверки работы инструмента всегда проверяйте, что инструмент выключен, а шнур питания вынут из розетки.

### Фиксатор вала

► Рис.1: 1. Фиксатор вала

### ▲ВНИМАНИЕ:

- Никогда не задействуйте фиксатор вала при вращающемся шпинделе. Это может привести к повреждению инструмента.

Нажмите на фиксатор вала для предотвращения вращения шпинделя при установке или снятии дополнительных принадлежностей.

### Действие выключателя

► Рис.2: 1. Рычаг переключателя

### ▲ВНИМАНИЕ:

- Перед включением штекера инструмента в розетку питания, всегда проверяйте, что ползунок переключателя работает надлежащим образом и возвращается в положение "ВЫКЛ" при нажатии на заднюю часть ползункового переключателя.

Для запуска инструмента передвиньте выключатель в положение "I" ("ВКЛ"). При продолжительном использовании нажмите на переднюю часть выключателя для его блокировки в нужном положении. Для остановки инструмента нажмите на заднюю часть выключателя, после чего передвиньте его в положение "O" ("ВЫКЛ").

## МОНТАЖ

### ▲ВНИМАНИЕ:

- Перед проведением каких-либо работ с инструментом всегда проверяйте, что инструмент выключен, а шнур питания вынут из розетки.

### Установка боковой рукоятки (ручки)

► Рис.3

### ▲ВНИМАНИЕ:

- Перед работой всегда проверяйте надежность крепления боковой рукоятки.

Прочно закрепите боковую рукоятку на месте, как показано на рисунке.

**Установка или снятие кожуха круга (для кругов с вогнутым центром, многофункциональных кругов/абразивных отрезных кругов, алмазных кругов)**

### Для инструмента с кожухом диска со стопорным болтом

► **Рис.4:** 1. Кожух диска 2. Винт 3. Узел подшипника

#### **⚠ОСТОРОЖНО:**

- При использовании шлифовального диска с углубленным центром/многофункционального диска, гибкого диска, проволочной дисковой щетки, отрезного или алмазного диска установите кожух диска так, чтобы закрытая сторона кожуха была направлена к оператору.
- При использовании абразивного отрезного круга/алмазного круга может применяться только специальный защитный кожух, предназначенный для отрезных кругов. (В Европе при использовании алмазного круга можно использовать обычное ограждение.)

Установите кожух диска, чтобы выступ на его хомуте совместился с пазом на коробке подшипника. Затем установите кожух под таким углом, чтобы во время работы он защищал оператора. Надежно затяните винты.

Для снятия кожуха диска выполните процедуру установки в обратном порядке.

### Для инструмента с кожухом диска с зажимным рычагом

► **Рис.5:** 1. Кожух диска 2. Узел подшипника 3. Винт 4. Рычаг

► **Рис.6:** 1. Винт 2. Рычаг

Ослабьте винт, и затем рычаг на ограждении диска. Установите защитный кожух так, чтобы выступ на его хомуте совместился с пазом на коробке подшипника. Затем поверните ограждение диска по кругу и установите его в положение, показанное на рисунке. Затяните рычаг для фиксации ограждения диска. Если рычаг слишком тугой или слишком слабый для затягивания ограждения диска, ослабьте или затяните винт для регулировки затяжки хомута ограждения диска.

Для снятия кожуха диска выполните процедуру установки в обратном порядке.

### Установка или снятие шлифовального диска с вогнутым центром/мультидиска

► **Рис.7:** 1. Контргайка 2. Шлифовальный диск с вогнутым центром/Многофункциональный диск 3. Внутренний фланец

#### **⚠ОСТОРОЖНО:**

- При эксплуатации инструмента с диском с углубленным центром/многофункциональным диском всегда используйте поставленное с инструментом ограждение. Во время работы диск может разрушиться, и ограждение помогает снизить риск получения травмы.

Установите внутренний фланец на шпindelь. Наденьте диск на внутренний фланец и вкрутите контргайку на шпindelь.

Для затяжки контргайки сильно надавите на фиксатор вала, чтобы шпindelь не проворачивался, затем воспользуйтесь ключом контргайки и крепко затяните ее по часовой стрелке.

► **Рис.8:** 1. Ключ контргайки 2. Фиксатор вала

Для снятия диска выполните процедуру установки в обратном порядке.

**⚠ОСТОРОЖНО:** Пользуйтесь замком вала только когда шпindelь не вращается.

## ЭКСПЛУАТАЦИЯ

#### **⚠ОСТОРОЖНО:**

- Никогда не прилагайте к инструменту усилий. Вес инструмента обеспечивает достаточное давление. Чрезмерное усилие и давление могут привести к опасному разрушению диска.
- **ВСЕГДА** меняйте диск, если при шлифовании инструмент упал.
- **НИКОГДА** не стучите и не бейте шлифовальный диск об обрабатываемую деталь.
- Избегайте подпрыгивания и зацепления диска, особенно при обработке углов, острых краев и т.д. Это может привести к потере управления и отдаче.
- Никогда не используйте инструмент с полотнами для обработки дерева или другими дисковыми пилами. При использовании на шлифмашине такие пилы часто выскакивают, выходят из-под контроля и приводят к травмам.

#### **⚠ВНИМАНИЕ:**

- После работы всегда отключайте инструмент и дождитесь полной остановки диска перед тем, как положить инструмент.

## Шлифовка и зачистка

ВСЕГДА крепко держите инструмент одной рукой за корпус, а другой за боковую рукоятку. Включите инструмент и поднесите круг или диск к обрабатываемой детали.

В общем край диска необходимо держать под углом примерно в 15 градусов к поверхности обрабатываемой детали.

Во время притирания нового диска, не работайте с инструментом в направлении В, иначе он врежется в обрабатываемую деталь. После того, как край диска закруглится в процессе эксплуатации, диск можно использовать и в направлении А, и в направлении В.

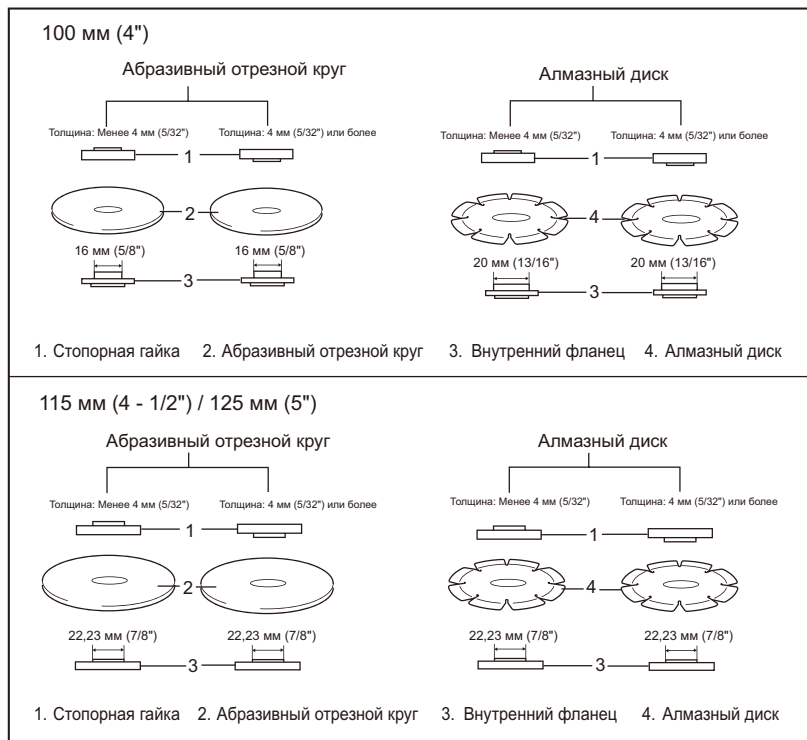
► **Рис.9**

## Выполнение работ с абразивным отрезным диском/алмазным диском (дополнительная принадлежность)

► **Рис.10:** 1. Контргайка 2. Абразивный отрезной диск/алмазный диск 3. Внутренний фланец 4. Защитный кожух для абразивного отрезного диска/алмазного диска

Направление установки контргайки и внутреннего фланца зависит от толщины диска.

См. таблицу ниже.



## **⚠ ОСТОРОЖНО:**

- При использовании абразивного отрезного круга/алмазного круга может применяться только специальный защитный кожух, предназначенный для отрезных кругов. (В Европе при использовании алмазного круга можно использовать обычное ограждение.)
- НЕЛЬЗЯ использовать отрезной диск для шлифовки боковой поверхностью.
- Не "заклинивайте" диск и не прикладывайте к нему чрезмерное давление. Не пытайтесь чрезмерно увеличить глубину резания. Перенапряжение диска увеличивает нагрузку и подверженность к искривлению или застреванию диска в прорези, а также возможность отдачи, поломки диска и перегрева электродвигателя.
- Не запускайте отрезной диск, пока он находится в детали. Дайте кругу раскрутиться до максимальной скорости, а затем осторожно введите в разрез, перемещая инструмент вперед по поверхности обрабатываемой детали. При перезапуске электроинструмента, углубившегося в деталь, возможно застревание диска, его выскакивание или отдача.
- Во время операций резания нельзя менять угол наклона диска. Боковое давление на отрезной диск (как при шлифовке) приводит к растрескиванию и разрушению диска, в результате чего возможны серьезные травмы.
- Работы с алмазным диском необходимо выполнять, удерживая его перпендикулярно к рабочей поверхности.

## **ДОПОЛНИТЕЛЬНЫЕ ПРИНАДЛЕЖНОСТИ**

### **⚠ ВНИМАНИЕ:**

- Эти принадлежности или насадки рекомендуются использовать вместе с вашим инструментом Makita, описанным в данном руководстве. Использование каких-либо других принадлежностей или насадок может представлять опасность получения травм. Используйте принадлежность или насадку только по указанному назначению.

Если вам необходимо содействие в получении дополнительной информации по этим принадлежностям, свяжитесь со своим местным сервис-центром Makita.

- Защитный кожух (крышка диска) Для дисков с вогнутым центром / многофункциональных дисков
- Защитный кожух (крышка круга) Для абразивного отрезного круга / алмазного круга
- Диски с вогнутым центром
- Абразивные отрезные диски
- Многофункциональные круги
- Алмазные диски
- Проволочные чашечные щетки
- Проволочная скошенная щетка 85
- Абразивные диски
- Внутренний фланец
- Стопорная гайка для кругов с вогнутым центром / абразивных отрезных кругов / многофункциональных кругов / алмазных кругов
- Стопорная гайка для абразивных дисков
- Ключ стопорной гайки
- Боковая ручка

## **ТЕХОБСЛУЖИВАНИЕ**

### **⚠ ВНИМАНИЕ:**

- Перед проверкой или проведением техобслуживания убедитесь, что инструмент выключен, а штекер отсоединен от розетки.
- Запрещается использовать бензин, лигроин, растворитель, спирт и т.п. Это может привести к изменению цвета, деформации и появлению трещин.

► **Рис.11:** 1. Вытяжное отверстие 2. Впускное вентиляционное отверстие

Инструмент и его вентиляционные отверстия должны содержаться в чистоте. Производите регулярную очистку вентиляционных отверстий инструмента или очищайте их в том случае, если отверстия станут засоряться.

Для обеспечения БЕЗОПАСНОСТИ и НАДЕЖНОСТИ изделия ремонт, проверка и замена угольных щеток и любые другие работы по техобслуживанию или регулировке должны осуществляться в уполномоченных сервис-центрах Makita с использованием запасных частей только производства компании Makita.

### **ПРИМЕЧАНИЕ:**

- Некоторые элементы списка могут входить в комплект инструмента в качестве стандартных приспособлений. Они могут отличаться в зависимости от страны.

## ТЕХНИКАЛЫҚ СИПАТТАМАЛАРЫ

Үлгісі	GA4030	GA4530	GA5030
Ортасы ойық дөңгелек диаметрі	100 мм	115 мм	125 мм
Дөңгелектің максималды қалыңдығы	6,4 мм	6,4 мм	6,4 мм
Шпиндель ойығы	M10	M14 немесе 5/8" (елге байланысты)	M14 немесе 5/8" (елге байланысты)
Номиналды жылдамдығы (n)/жүктемесіз жылдамдығы (n <sub>0</sub> )	11 000 мин <sup>-1</sup>	11 000 мин <sup>-1</sup>	11 000 мин <sup>-1</sup>
Жалпы ұзындығы	266 мм	266 мм	266 мм
Таза салмағы	1,7 кг	1,8 кг	1,8 кг
Қауіпсіздік класы	□/II		

- Зерттеу мен әзірлеудің үздіксіз бағдарламасына байланысты осы құжаттағы техникалық сипаттамалар ескертусіз өзгертілуі мүмкін.
- Техникалық сипаттамалары әр елде әр түрлі болуы мүмкін.
- Салмағы ЕРТА-Procedure 01/2003 стандартына сәйкес

### Белгілер

Төменде жабдықта пайдаланылған белгілер көрсетілген. Қолданар алдында олардың мағынасын түсініп алыңыз.



Пайдалану жөніндегі нұсқаулықты оқып шығыңыз.



ҚОС ҚАБАТТЫ ОҚШАУЛАУ



Қауіпсіздік көзілдірігін тағыңыз.



Тек ЕО елдері үшін  
Электрлік жабдықты тұрмыстық қалдықтармен бірге тастамаңыз!  
Электрлік және электрондық жабдықты қоқысқа тастау бойынша Еуропалық директиваның шарттары бойынша, қызметтік мерзімі аяқталған электрлік жабдық бөлек жиналып, экологиялық тұрғыдан қауіпсіз утилизация пунктіне қайтарылуы тиіс.

### Қолдану мақсаты

Бұл құрал суды пайдаланбай ажарлау, тегістеу, металл және тас кесуге арналған.

### Қуат көзі

Құрал паспорттық деректері бар фирмалық тақтайшада көрсетілген кернеумен бірдей қуат көзіне қосылуы керек және тек бір фазалы АТ көзімен жұмыс істейді. Оның қос қабатты оқшауламасы бар болғандықтан, жерге тұйықталмаған розеткаларды пайдалануға болады.

### Шу

Шу EN60745 стандартына сай анықталған стандартты А қысығы бойынша өлшенген шу деңгейі:

Дыбыс қысымының деңгейі (L<sub>РА</sub>) : 85 дБА

Дыбыс қысымының деңгейі (L<sub>WA</sub>) : 96 дБА

Дәлсіздігі (K) : 3 дБА

**Қорғаныс құлаққабын киіңіз**

### Діріл

EN60745 стандартына сәйкес анықталған дірілдің жалпы мәні (үш осьтік векторлық сомасы):

#### GA4030 үлгісі

Жұмыс режимі: бетті ажарлау

Дірілдің таралуы (a<sub>сғр,М</sub>): 7,0 м/с<sup>2</sup>

Дәлсіздік (K): 1,5 м/с<sup>2</sup>

Жұмыс режимі: дискімен тегістеу

Дірілдің таралуы (A<sub>сғр,ДТ</sub>): 2,5 м/с<sup>2</sup> немесе одан аз

Дәлсіздік (K): 1,5 м/с<sup>2</sup>

#### GA4530 үлгісі

Жұмыс режимі: бетті ажарлау

Дірілдің таралуы (a<sub>сғр,М</sub>): 7,5 м/с<sup>2</sup>

Дәлсіздік (K): 1,5 м/с<sup>2</sup>

Жұмыс режимі: дискімен тегістеу

Дірілдің таралуы (A<sub>сғр,ДТ</sub>): 2,5 м/с<sup>2</sup> немесе одан аз

Дәлсіздік (K): 1,5 м/с<sup>2</sup>

#### GA5030 үлгісі

Жұмыс режимі: бетті ажарлау

Дірілдің таралуы (a<sub>сғр,М</sub>): 8,5 м/с<sup>2</sup>

Дәлсіздік (K): 1,5 м/с<sup>2</sup>

Жұмыс режимі: дискімен тегістеу

Дірілдің таралуы (A<sub>сғр,ДТ</sub>): 2,5 м/с<sup>2</sup> немесе одан аз

Дәлсіздік (K): 1,5 м/с<sup>2</sup>

**ЕСКЕРТПЕ:** Дірілдің жарияланған таралу мәні стандартты сынау әдісіне сәйкес өлшенген және оны бір құралды екінші құралмен салыстыру үшін пайдалануға болады.

**ЕСКЕРТПЕ:** Оны сондай-ақ әсерді алдын ала бағалау үшін пайдалануға болады.

**ЕСКЕРТПЕ:** Электр құралының негізгі жұмыс түрлеріне мәлімделген діріл шығысы мәні пайдаланылады. Дегенмен, егер электр құралы басқа жұмыс түрлері үшін пайдаланылса, діріл шығысы мәні өзгеруі мүмкін.

**⚠️ЕСКЕРТУ:** Электрлік құралды іс жүзінде пайдалану кезіндегі дірілдің таралуы құралдың пайдалану әдісіне байланысты жарияланған дірілдің таралу мәннен өзгеше болуы мүмкін.

**⚠️ЕСКЕРТУ:** Іс жүзінде пайдалану кезіндегі әсерді бағалау негізінде операторды қорғау үшін қауіпсіздік шараларын анықтаңыз (құралдың өшірілген уақыты және бос жүріс уақытын қоса алғанда, іске қосылу уақыты сияқты барлық жұмыс циклдерін ескеру керек).

## Тек Еуропа елдеріне арналған

## ЕС сәйкестік декларациясы

**Makita компаниясы мына машина(лар) жөнінде мәлімдейді:**

Машина белгісі:

Бұрыштық ажарлағыш машина  
үлгі№/ түрі: GA4030, GA4530, GA5030

**Төмендегі Еуропалық директиваларға сәйкес келеді:**

2006/42/EC

Олар төмендегі стандартты немесе стандартталған құжаттарға сәйкес дайындалады:  
EN60745

2006/42/EC директивасына сәйкес техникалық құжат мына жерде қолжетімді:

Makita, Jan-Baptist Vinkstraat 2, 3070, Бельгия

31.12.2013

Yasushi Fukaya

Директор

Makita, Jan-Baptist Vinkstraat 2, 3070, Бельгия

## Электрлік құралдың жалпы қауіпсіздік ескертулері

**⚠️ЕСКЕРТУ** Барлық қауіпсіздік ескертулері мен нұсқауларын оқып шығыңыз. Төменде берілген барлық ескертулер мен нұсқауларды орындамаған жағдайда, электр тогының соғуы, өрт шығуы және/немесе ауыр жарақат алуға себеп болуы мүмкін.

## Алдағы уақытта қолдану үшін барлық ескерту мен нұсқауды сақтап қойыңыз.

Ескертулердегі “электрлік құрал” термині қуат көзінен жұмыс істейтін (сымды) электрлік құралды немесе аккумулятормен жұмыс істейтін (сымсыз) электрлік құралды білдіреді.

**Жұмыс аймағындағы қауіпсіздік**

- Жұмыс аймағы таза өрі жарық болуы керек.**  
Лас немесе қараңғы аймақтарда жазатайым оқиғалар туындауы мүмкін.

2. **Электрлік құралды пайдаланған кезде тұтанатын сұйықтық, газ немесе шаң сияқты заттардан тұратын жарықса қауіп бар орталарда пайдаланбаңыз.** Электрлік құралдар шаң немесе газды тұтандыратын электр ұшқындарын шығарады.
3. **Электрлік құралды пайдаланған кезде, балалар және бөгде адамдар алшақ жүруі керек.** Басқа нәрсеге алаңдасаңыз, құралға ие бола алмай қалуыңыз мүмкін.

## Электрлік қауіпсіздік

4. **Электрлік құралдың ашасы розеткаға сәйкес келуі керек.** Ашаны ешбір жағдайда өзгертпеңіз. Адаптер ашаларын жерге тұйықталған электрлік құралдармен пайдаланбаңыз. Өзгертілмеген ашалар мен сәйкес келетін розеткалар электр тогының соғу қаупін азайтады.
5. **Түтіктер, радиаторлар, жылу батареялары және тоңазытқыштар сияқты жерге тұйықталған беттерді ұстамаңыз.** Егер денеңіз жерге тұйықталатын болса, ток соғу қаупі жоғары.
6. **Электрлік құралдарды жаңбырдың астына немесе ылғалды жерлерге қоймаңыз.** Электрлік құралға су кіретін болса, ток соғу қаупі артады.
7. **Қуат шнурын дұрыс пайдаланыңыз.** Электрлік құралды тасу, тарту немесе қуат көзінен ажырату үшін қуат шнурын пайдалануға болмайды. Қуат шнурына ыстық зат, май, өткір жиек немесе қозғалмалы бөлшектер тимеуі керек. Зақымдалған немесе оралған қуат шнурлары ток соғу қаупін арттырады.
8. **Электрлік құралды сыртта пайдаланғанда, сыртта қолдануға жарамды ұзартқышты қолданыңыз.** Сыртта қолдануға жарамды шнурды пайдалану ток соғу қаупін азайтады.
9. **Егер электрлік құралды ылғалды жерде пайдалану керек болса, қорғаныстық ажырату құрылғысын (RCD) пайдаланыңыз.** Қорғаныстық ажырату құрылғысын пайдалану ток соғу қаупін азайтады.
10. **Электр қуатын әрдайым 30 мА немесе одан кем номиналды дифференциалды тогы бар қорғаныстық ажырату құрылғысы (RCD) арқылы пайдаланған жөн.**

## Жеке қауіпсіздік

11. **Электрлік құралды пайдаланған кезде, жасап жатқан жұмысыңызға қырағылық танытып, мұқият болыңыз.** Шаршағанда немесе есірткі, алкоголь немесе дәрі-дәрмектің әсерінде болған кезде электрлік құралды пайдаланбаңыз. Электрлік құралды пайдалану кезінде сәл ғана аңсыздық таныту ауыр жарақатқа әкелуі мүмкін.
12. **Жеке қорғаныс жабдығын пайдаланыңыз.** Міндетті түрде қорғаныс көзілдірігін тағыңыз. Шаңнан қорғайтын маска, сырғанамайтын қорғаныс аяқ киімі, қасқа немесе құлаққап сияқты қорғаныс жабдықтарын тиісті жағдайларда қолдану жарақаттану қаупін азайтады.

13. Кездейсоқ іске қосудың алдын алыңыз. Құралды қуат көзіне және/немесе аккумулятор блогына қоспас бұрын, оны жинап немесе тасымалдамас бұрын, ауыстырып-қосқыш өшірулі күйде екеніне көз жеткізіңіз. Саусақ электрлік құралдың ауыстырып-қосқышында тұрған кезде оны тасымалдау немесе ауыстырып-қосқышы қосылуы электрлік құралды қуат көзіне қосу жазатайым оқиғаға әкеп соғуы мүмкін.
14. Электрлік құралды қоспас бұрын, реттегіш немесе сомынды бұрайтын кілттерді алып тастаңыз. Электрлік құралдың айналмалы бөлігінде реттегіш немесе сомынды бұрайтын кілт бекітулі қалса, жарақаттауы мүмкін.
15. Тым артық күш салмаңыз. Өрдайым тұрақты және тепе-теңдік сақтайтын күйде болыңыз. Бұл күтпеген жағдайда электрлік құралды жақсы басқаруға мүмкіндік береді.
16. Жұмысқа сай киініңіз. Бос киім киімеңіз және әшекей тақпаңыз. Шаш, киім және қолғабыңызды қозғалмалы бөлшектерден алшақ ұстаңыз. Бос киім, әшекейлер немесе ұзын шаш қозғалмалы бөлшектерге ілініп қалуы мүмкін.
17. Шаң тұту және жинау құрылғылары қамтамасыз етілген болса, олардың қосылуы екендігіне және дұрыс қолданылып жатқанына көз жеткізіңіз. Шаң жинау құрылғысын пайдалану шаңмен байланысты қауіпті азайтуы мүмкін.

**Электрлік құралды пайдалану және күтім жасау**

18. Электрлік құралға артық күш түсірмеңіз. Орындалатын жұмысқа сәйкес келетін электрлік құралды пайдаланыңыз. Дұрыс таңдалған электрлік құрал өзіне жүктелген жұмысты жақсы және қауіпсіз істейді.
19. Ауыстырып-қосқышы ақаулы электрлік құралды пайдаланбаңыз. Ауыстырып-қосқышы ақаулы кез келген электрлік құрал қауіп төндіреді және оны жөндеу керек.
20. Кез келген реттеулер жасамас бұрын, керек-жарақтарды ауыстырмас бұрын немесе электрлік құралдарды ұзақ уақытқа сақтамас бұрын, ашаны қуат көзінен ажыратыңыз және/немесе аккумулятор блогы бос болса, оны шығарып алыңыз. Осындай алдын алу шаралары электрлік құралдың кездейсоқ іске қосылу қаупін азайтады.
21. Электрлік құралдарды балалардың қолы жетпейтін жерде сақтаңыз, сонымен қатар электрлік құралмен жұмыс істей алмайтын және осы нұсқауларды оқымаған тұлғаларға құралды пайдалануға рұқсат етпеңіз. Арнайы жаттығудан өтпеген пайдаланушылар үшін электрлік құрал қауіп төндіреді.
22. Электр құралдарына техникалық қызмет көрсетіңіз. Қозғалмалы бөлшектердің ауытқуы және оралуы, зақымдалған бөлшектер және электрлік құралдың жұмысына кері әсер ететін басқа жағдайлардың бар-жоғын тексеріңіз. Зақымы болса, электрлік құралды жөндеген соң бірақ пайдаланыңыз. Жазатайым оқиғалардың көбі электрлік құралдарға дұрыс техникалық қызмет көрсетілмеу себебінен болады.

23. Кесу құралдары өткір және таза болуы керек. Кескіш жиектері өткір кесу құралдарын дұрыс пайдалансаңыз, олар тұрып қалмайды және басқаруға оңай.
24. Электрлік құралды, керек-жарақтарды және қондырмаларды, т.б. жұмыс жағдайы мен орындалатын жұмысты ескере отырып, осы нұсқауларға сәйкес пайдаланыңыз. Электрлік құралды басқа мақсатта пайдаланған жағдайда, қауіпті жағдай туындауы мүмкін.

#### Қызмет көрсету

25. Электрлік құралды білікті маманға жөндетіп алыңыз, ол тиісті қосалқы бөлшектерді пайдалануы керек. Бұл электрлік құралдың қауіпсіздігін қамтамасыз етеді.
26. Керек-жарақтарды майлау және ауыстыру нұсқауын орындаңыз.
27. Тұтқаларды құрғақ, таза ұстаңыз және майлы болмауын қамтамасыз етіңіз.

## АЖАРЛАҒЫШ МАШИНА ҚАУІПСІЗДІГІ БОЙЫНША ЕСКЕРТУЛЕР

Ажарлау, тегістеу, сым қылшақпен тазалау немесе ысып кесу жұмыстарына арналған жалпы қауіпсіздік ескертулері:

1. Бұл электр құралы ажарлағыш, тегістегіш, сым қылшақпен тазалағыш немесе кескіш құрал ретінде жұмыс істеуге арналған. Осы электрлік құралмен бірге берілген қауіпсіздік ескертулерін, нұсқауларды, суреттерді және техникалық сипаттамаларды оқып шығыңыз. Төменде берілген барлық нұсқауды орындамаған жағдайда, электр тогының соғуы, өрт шығуы және/немесе ауыр жарақат алуға себеп болуы мүмкін.
2. Бұл электр құралымен жылтырату сияқты жұмыстарды орындамаған жөн. Электр құралы жобаланбаған жұмыстар үшін пайдалану қауіп төндіріп, жарақат алуға себеп болуы мүмкін.
3. Құралды өндіруші тарапынан арнайы жасалмаған және ұсынылмаған керек-жарақтарды пайдаланбаңыз. Керек-жарақ электрлік құралға бекітілсе де, онымен жұмыс істеу қауіпті.
4. Керек-жарақтың номиналды жылдамдығы кемінде электр құралында белгіленген максималды жылдамдыққа тең болуы керек. Белгіленген жылдамдықтан жоғары жылдамдықпен жұмыс істейтін керек-жарақтар бұзылып, ұшып кетуі мүмкін.
5. Керек-жарақтың сыртқы диаметрі және қалыңдығы электр құралының сыйымдылық шегінде болуы тиіс. Өлшемі дұрыс емес керек-жарақтарды дұрыс қорғау немесе басқару мүмкін емес.
6. Керек-жарақтардың бұрандалы бекітпесі ажарлағыштың шпиндель ойығына сәйкес келуі тиіс. Фланецтер арқылы орнатылған керек-жарақтар үшін, керек-жарақтардың білік саңылауы фланецтің негізгі диаметріне сәйкес келуі керек. Электр құралының бекіту құралдарына сәйкес келмейтін керек-жарақтар тепе-теңдіктен шығып, шектен тыс діріл тудырады және құралды басқара алмауға әкелуі мүмкін.

7. Зақымдалған керек-жарақты пайдаланбаңыз. Әр пайдалану алдында ысқыш дөңгелектер сияқты керек-жарақтар кетіктер және сызаттардың бар-жоғын, диск табанында сызаттар, жыртылған немесе қатты тозған жерлердің, сым қылшақта босап кеткен жерлер немесе сынған сымдардың бар-жоғын тексеріңіз. Электр құралы немесе керек-жарақ жерге құласа, зақымдалғанын тексеріңіз немесе зақымдалмаған керек-жарақты орнатыңыз. Керек-жарақты тексеріп, орнатқаннан кейін, айналмалы керек-жарақ аймағынан өзіңіз және айналадағы адамдар алшақ тұруы қажет, одан кейін электр құралын жұктемесіз максималды жылдамдықта бір минутқа іске қосыңыз. Зақымдалған керек-жарақтар, әдетте, осы сынақ уақыты ішінде сынады.
  8. Жеке қорғаныс жабдығын киіңіз. Жұмыс түріне қарай бет қалқанын, қорғаныс көзілдірігін немесе қауіпсіздік көзілдірігін пайдаланыңыз. Қажет болса, ұсақ ысқыш немесе өңдеу бөлшегінің бөліктерінен қорғауға қабілетті шаңнан қорғайтын маска, құлақпаптарды, қолғаптарды және алжапқышты тағыңыз. Қорғаныс көзілдірігі әр түрлі жұмыстардың нәтижесінде пайда болатын ұшатын сынықтардан қорғай алатындай болуы керек. Шаңнан қорғайтын маска немесе респиратор жұмыс барысында шыққан бөлшектерді сүзе алатын болуы керек. Қарқындылығы жоғары шудың ұзақ әсері есту қабілетінің жоғалуына әкелуі мүмкін.
  9. Айналадағы адамдардың жұмыс аймағынан қауіпсіз қашықтықта тұруын қадағалаңыз. Жұмыс аймағына кіретін көз келген адам жеке қорғаныс жабдығын киіңіз қажет. Өңдеу бөлшегінің немесе сынған керек-жарақтың бөлшектері ұшып кетіп, жұмыс аймағынан тыс жерде жарақат алуға себеп болуы мүмкін.
  10. Жұмыс істеп жатқанда, кесуге арналған керек-жарақ жасырын сымға немесе өз сымна тиіп кетуі мүмкін болса, электр құралын тек оқшауланған арнайы қысқыштармен ұстаңыз. Кесу құралы кернеулі сымға тиіп кетсе, электрлік құралдың ашық металл бөлшектерінде кернеу пайда болады, нәтижесінде операторды ток соғуы мүмкін.
  11. Сымды айналмалы керек-жарақтардан қашық жерге қойыңыз. Басқа нәрсеге алаңдаған жағдайда, сым үзіліп кетіп немесе ілініп қалып, қолыңызды айналмалы керек-жарақ ішіне тартып әкетуі мүмкін.
  12. Электрлік құралды керек-жарағы толық тоқтағанша жерге қоймаңыз. Айналмалы керек-жарақ бетке ілінісіп, құралға ие бола алмай қалуыңыз мүмкін.
  13. Электрлік құралды жаныңызда ұстап тұрғанда іске қоспаңыз. Айналмалы тұрған керек-жараққа кездейсоқ тиіп кеткенде, киіміңізді іліп, керек-жарақты денеңізге тартуы мүмкін.
  14. Электр құралының ауа желдеткіштерін үнемі тазалап тұрыңыз. Қозғалтқыш желдеткіші корпус ішіне шаң жинайды және ұнтақталған металдың шамадан тыс жиналуы электр қуатымен байланысты оқыс оқиғалардың орын алуына әкелуі мүмкін.
  15. Электрлік құралды тұтанатын материалдар жанында пайдаланбаңыз. Ұшқындар бұл материалдарды тұтандыруы мүмкін.
  16. Салқындатқыш сұйықтықтарды қажет ететін керек-жарақтарды пайдаланбаңыз. Суды немесе басқа салқындатқыш сұйықтықтарды пайдалансаңыз, ток соғуы мүмкін.
- Кері соққы және оған қатысты ескертулер**
- Кері соққы - қысылып немесе ілініп қалған айналмалы дөңгелек, диск табаны, қылшақ немесе кез келген басқа керек-жарақтың кенеттен пайда болатын реакциясы. Қысу немесе іліну айналып тұрған керек-жарақтың жылдам құлауына әкеледі, ал бұл бақылаусыз тұрған электр құралының керек-жарақ бұрылысына қарсы бағытта айналуына әкеледі.
- Мысалы, ысқыш дөңгелек өңдеу бөлшегіне ілінсе немесе қысылып қалса, қысылатын орынға кіретін дөңгелектің шеті материалдың беткі жағына кіріп, дөңгелектің шығып кетуіне немесе сынуына әкелуі мүмкін. Қысу нүктесінде дөңгелек қозғалысының бағытына байланысты дөңгелек операторға қарай немесе керісінше ұшып кетуі мүмкін. Сондай-ақ мұндай жағдайда ысқыш дөңгелектер сынуы мүмкін. Кері соққы электр құралын дұрыс пайдаланбау және/немесе қате жұмыс процедураларының нәтижесінде пайда болады және төмендегі сақтық шараларын пайдалану арқылы оның алдын алуға болады.
- a) Электр құралын мықтап ұстаңыз және кері соққыларға қарсы тұра алатын күйде тұрыңыз. Іске қосқан кезде кері соққы немесе айналу моментінің реакциясын максималды түрде басқару үшін, қосымша тұтқаны (жабдықталған болса) пайдаланыңыз. Тиісті сақтық шаралары қабылданған болса, айналу моментінің реакциялары мен кері соққы ықпалын оператор басқара алады.
  - b) Айналатын керек-жарақтың жанына қолыңызды ешқашан қоймаңыз. Керек-жарақ қолыңызға кері соққы беруі мүмкін.
  - c) Кері соққы орын алғанда, электр құралы жылжуы мүмкін аймақта тұрмаңыз. Кері соққы құралды іліну нүктесіндегі дөңгелек қозғалысына қарсы бағытта итереді.
  - d) Бұрыштарды, өткір шеттерді және т. б. өңдеген кезде аса сақ болыңыз. Керек-жарақтардың ұшып кетуіне және ілініп қалуына жол бермеңіз. Бұрыштар, өткір шеттер немесе ұшатын бөлшектер айналатын керек-жарақты ұстап қалғанда, басқару мүмкіндігі жоғалады немесе кері соғылады.
  - e) Ара шынжырының ағаш кесетін жүзін және тісті ара жүзін бекітпеңіз. Мұндай жүздер кері соққыны жиі тудырып, құралды басқаруды қиындатады.



**Ажарлау және ысып кесу жұмыстарына ғана арналған қауіпсіздік ескертулері:**

- a) Тек электр құралына арналған дөңгелек түрлерін және таңдалған дөңгелектерге сай арнайы сақтандырғышты пайдаланыңыз. Дөңгелектерге арналмаған электр құралын тиісті түрде қорғау мүмкін емес және олар қауіпсіз болмайды.
- b) **Ортасы ойық дөңгелектердің ажарлау беті сақтандырғыш тұмсығы жазықтығының төменгі бөлігінде бекітілуі тиіс.** Сақтандырғыш тұмсығының жазықтығы арқылы өтетін дұрыс орнатылмаған дөңгелек тиісті түрде қорғалмайды.
- c) **Сақтандырғыш операторға дөңгелектің аз бөлігі ғана бағытталатындай етіп электр құралына берік бекітіліп, максималды түрде қауіпсіз орнатылуы тиіс.** Сақтандырғыш операторды дөңгелек сынықтарынан, дөңгелектің кездейсоқ тиіп кетуінен және киімді тұтандыруы мүмкін ұшқындардан қорғауға көмектеседі.
- d) **Дөңгелектер тек ұсынылған мақсаттарда пайдаланылуы тиіс.** Мысалы: кескіш дөңгелегінің бүйірімен ажарламаңыз. Ысып кескіш дөңгелектер перифериялық ажарлауға арналған, бұл дөңгелектерге қолданылған бүйірлік күш олардың сынуына әкелуі мүмкін.
- e) **Таңдалған дөңгелек үшін әрқашан өлшем мен пішіні дұрыс, зақымдалмаған дөңгелек фланецтерін пайдаланыңыз.** Тиісті дөңгелек фланецтері дөңгелекке сыну мүмкіндігін азайта отырып, қолдау көрсетеді. Кескіш дөңгелектердің фланецтері ажарлағыш дөңгелектің фланецтерінен ерекшеленуі мүмкін.
- f) **Үлкен электр құралдарындағы ескірген дөңгелектерді пайдаланбаңыз.** Үлкен электр құралына арналған дөңгелек кіші құралдың жоғары жылдамдығына сай келмей, сынуы мүмкін.

**Ысып ою жұмыстарына арналған қосымша қауіпсіздік ескертулері:**

- a) **Кескіш дөңгелекті қажаманыз немесе оған шамадан тыс қысым түсірмеңіз. Шамадан тыс терең кесуге тырыспаңыз.** Дөңгелекке шамадан тыс қысым түсіргенде, жүктеме және дөңгелектің кесу кезіндегі айналу немесе қисаюға бейімділігі, сондай-ақ кері соғу немесе дөңгелектің сыну мүмкіндігі артады.
- b) **Айналымды дөңгелектің бойында және артқы жағында тұрмаңыз.** Аспаптың кескіш бөлігіндегі дөңгелек денеңізден алшақ қозғалған кезде, ықтимал кері соққы айналымды дөңгелек пен электр құралын тікелей сізге қарай итеруі мүмкін.
- c) **Дөңгелек айқасып немесе қандай да бір себептермен кесуді тоқтатқан кезде, электр құралын өшіріп, дөңгелек толығымен тоқтағанға дейін электр құралын қозғалтпаңыз.** Дөңгелек қозғалыста болған кезде, кескіш дөңгелекті кесілген жерден алып тастауға ешқашан әрекет жасамаңыз, әйтпесе кері соққы туындауы мүмкін. Дөңгелектің қажалу себебін жою үшін, оны зерттеп, түзету шараларын қолданыңыз.

- d) **Өңдеу бөлшегінде кесу жұмысын қайта бастамаңыз.** Дөңгелекті толық жылдамдыққа жеткізіп, қимаға мұқият қайта кіргізіңіз. Электр құралы өңдеу бөлшегінде қайта іске қосылса, дөңгелек қажалуы, бағытынан ауытқуы немесе кері соғуы мүмкін.
- e) **Дөңгелек кептеліп, кері соққы беру қаупін барынша азайту үшін тіреуіш панельдерді немесе үлкен габаритті өңдеу бөлшегін қолданыңыз.** Үлкен өңделетін бөлшектер өз салмағына байланысты еңкеюі мүмкін. Тіреуіштер өңдеу бөлшегінің астында кесу сызығы мен өңдеу бөлшегінің шеті жанында, дөңгелектің екі жағында орналасуы керек.
- f) **Қабырғаларда немесе басқа да көрінбейтін аймақтарда "ойық кесу" жұмысын орындаған кезде аса сақ болыңыз.** Шығып тұрған дөңгелек газ немесе су құбырларын, электрлік сымды немесе кері соққы тудыруы мүмкін нысандарды кесіп кетуі мүмкін.

**Тегістеу жұмыстарына арналған қауіпсіздік ескертулері:**

- a) **Тегістеуге арналған тым үлкен көлемді диск қағазын пайдаланбаңыз.** Тегістеу қағазын таңдағанда, өндірушінің кеңестерін орындаңыз. Тегістеу панелінен үлкенірек тегістеу қағазын қолданғанда, үзілу, қажалу, және дискінің айырылу қаупін немесе кері соққы тудыруы мүмкін.

**Сым қылшақпен тазалауға арналған қауіпсіздік ескертулері:**

- a) **Қарапайым жұмыс кезінде де сымды қылдар қылшақтан ұшатынын ескеріңіз.** Қылшаққа шамадан тыс жүктеме қолдану арқылы сымдарға шамадан тыс қысым түсірмеңіз. Сым қылдар жеңіл киімге және/немесе теріге оңай кіруі мүмкін.
- b) **Сым қылшақпен тазалау кезінде сақтандырғышты қолдану ұсынылса, сым дөңгелектің немесе қылшақтың сақтандырғышқа кедергі келтіруіне жол бермеңіз.** Жұмыс жүктемесі мен центрифугалық күштерге байланысты сым дөңгелегі немесе қылшақ диаметрі кеңеюі мүмкін.

**Қауіпсіздік бойынша қосымша ескертулер:**

17. **Ортасы ойық ажарлау дөңгелектерін пайдаланған кезде, тек шыны талшықпен армиленген дөңгелектерді пайдаланыңыз.**
18. **Бұл ажарлағышпен тас қақпақшалы дөңгелектерді ЕШҚАШАН ПАЙДАЛАНБАҢЫЗ.** Бұл ажарлағыш машина осы дөңгелек түрлеріне арналмаған және мұндай өнімді пайдалану ауыр жарақатқа әкелуі мүмкін.
19. **Шпиндельді, фланецті (өсіресе орнатылатын бетті) немесе тоқтатқыш сомынды зақымдап алмас ұқтасн абайлаңыз.** Бұл бөлшектердің зақымдалуы дөңгелектің бұзылуына әкелуі мүмкін.
20. **Ауыстырып-қосқышты іске қоспас бұрын, дөңгелектің өңдеу бөлшегіне тиіп тұрмағандығына көз жеткізіңіз.**

21. Құралды нақты өңдеу бөлшегіне қолданбас бұрын, біраз уақыт іске қосылуына мүмкіндік беріңіз. Дөңгелектің бос орнатылған немесе дұрыс теңестірілмегенін білдіретін дірілін немесе шайқалуын қадағалаңыз.
22. Ажарлау үшін арнайы дөңгелек бетін пайдаланыңыз.
23. Құралды қосулы күйде қалдырмаңыз. Құралды тек қолмен ұстап пайдаланыңыз.
24. Өңдеу бөлшегін пайдаланғаннан кейін бірден ұстауға болмайды. Ол өте ыстық болып, теріні күйдіруі мүмкін.
25. Дөңгелектерді дұрыс орнату және пайдалану үшін өндіруші нұсқауларын орындаңыз. Дөңгелектерді абайлап ұстаңыз және сақтаңыз.
26. Ірі ысқыш дөңгелектерді бейімдеу үшін бөлек өтпелі төлкелер не адаптерлерді пайдаланбаңыз.
27. Осы құралға арналған фланецтерді ғана пайдаланыңыз.
28. Ойылған саңылаулы дөңгелекпен жабдықталған құралдар бойынша, шпиндель ұзындығы сәйкес келуі үшін дөңгелектегі ойықтың ұзындығы жеткілікті екеніне көз жеткізіңіз.
29. Өңдеу бөлшегінің дұрыс бекітілгеніне көз жеткізіңіз.
30. Құралды өшіргеннен кейін, дөңгелектің өрі қарай айналатынына назар аударыңыз.
31. Егер жұмыс орны өте ыстық және ылғалды болса немесе ток өткізгіш шаңмен тым қатты ластанған болса, оператор қауіпсіздігін қамтамасыз ету үшін қысқа тұйықталуды ажыратқышты (30 МА) пайдаланыңыз.
32. Құралды құрамында асбест бар материалдарға қолданбаңыз.
33. Кескіш дөңгелекті пайдаланған кезде, әрқашан жергілікті заңнамаға сәйкес шаңды жоюға арналған келте құбырлы қорғағыш қаптаманы қолдана отырып, жұмыс істеңіз.
34. Кесу дискілеріне бүйірлік қысым түсірілмеуі тиіс.

## ОСЫ НҰСҚАУЛАРДЫ САҚТАҢЫЗ.

**▲ ЕСКЕРТУ:** Өнімді қайта пайдалану барысында САЛҒЫРТТЫҚ ТАНЫТПАЙ, қауіпсіздік ережелерін ұстаныңыз. Осы пайдалану жөніндегі нұсқаулықта келтірілген қауіпсіздік ережелерін **ДҰРЫС ПАЙДАЛАНБАУ** немесе орындамау ауыр жарақаттарға өкпе соқтыруы мүмкін.

## ФУНКЦИОНАЛДЫҚ СИПАТТАМАСЫ

### ▲ САҚ БОЛЫҢЫЗ:

- Құралдың жұмысын реттемес және тексермес бұрын, әрдайым құралдың өшірулі екендігіне және ажыратылғандығына көз жеткізіңіз.

### Білік құлпы

► Сурет1: 1. Білік құлпы

### ▲ САҚ БОЛЫҢЫЗ:

- Шпиндель қозғалып тұрғанда, білік құлпын іске қосуға болмайды. Құралға зақым келуі мүмкін.

Керек-жарақтарды орнату немесе алу кезінде шпиндель айналмас үшін білік құлпын басыңыз.

## Ауыстырып-қосқыштың әрекеті

► Сурет2: 1. Ауыстырып-қосқыш тетігі

### ▲ САҚ БОЛЫҢЫЗ:

- Құралды желіге қоспас бұрын, ысырма ауыстырып-қосқышы дұрыс жұмыс істеп тұрғанына және ысырма ауыстырып-қосқышының артқы жағы басылған кезде "ӨШІРУЛІ" күйіне оралатынына көз жеткізіңіз.

Құралды іске қосу үшін ауыстырып-қосқыш тетігін "І (ҚОСУЛЫ)" күйіне сырғытыңыз. Жұмысты жалғастыру мақсатында ауыстырып-қосқыш тетігінің алдыңғы жағын құлыптау үшін басыңыз. Құралды тоқтату үшін ауыстырып-қосқыш тетігінің артқы жағын басыңыз, сосын "О (ӨШІРУЛІ)" күйіне қарай жылжытыңыз.

## ҚҰРАСТЫРУ

### ▲ САҚ БОЛЫҢЫЗ:

- Құралмен жұмыс істемес бұрын, әрдайым құралдың өшірулі екендігіне және ажыратылғандығына көз жеткізіңіз.

## Бүйірлік тұтқаны (cap) орнату

► Сурет3

### ▲ САҚ БОЛЫҢЫЗ:

- Жұмысқа кіріспес бұрын, бүйірлік тұтқаның мықтап орнатылғанына көз жеткізіңіз.

Суретте көрсетілгендей, бүйірлік тұтқаны құралға нықтап бекітіңіз.

## Дөңгелек сақтандырғышын (ортасы ойық дөңгелекке, көпфункционалы дискіге/ысып кескіш дөңгелекке, алмаз дөңгелекке арналған) орнату немесе алып тастау

### Тоқтатқыш бұрандалы типті сақтандырғыш дөңгелегі бар құралға арналған

► **Сурет4:** 1. Дөңгелек сақтандырғышы 2. Бұранда 3. Мойынтірек қорабы

#### ▲ **ЕСКЕРТУ:**

- Ортасы ойық ажарлағыш дөңгелекті/көпфункционалы дискіні, иілгіш дөңгелекті, сым қылшақты дөңгелекті, кескіш дөңгелекті немесе алмаз дөңгелекті пайдаланғанда, құралдағы дөңгелек сақтандырғыштың жабық жағы үнемі операторға қарап тұратындай орнатылуы қажет.
- Ысып кескіш дөңгелекті/алмаз дөңгелекті пайдаланғанда, тек кескіш дөңгелектермен пайдалануға арналған дөңгелек сақтандырғышын пайдаланыңыз. (Еуропа елдерінде алмаз дөңгелекті пайдаланған кезде, қарапайым сақтандырғышты қолдануға болады.)

Дөңгелек сақтандырғышы жолағындағы дөңес жерді мойынтірек қорабындағы ойықпен туралап, дөңгелек сақтандырғышын орнатыңыз. Одан кейін дөңгелек сақтандырғышты орындалатын жұмысқа сәйкес операторды қорғауға болатындай тиісті бұрышқа бұрыңыз. Бұранданы берік бекіткеніңізге көз жеткізіңіз.

Дөңгелек сақтандырғышын алып тастау үшін орнату процедурасын керісінше орындаңыз.

### Бекіткіш тетікті типті сақтандырғыш дөңгелегі бар құралға арналған

► **Сурет5:** 1. Дөңгелек сақтандырғышы 2. Мойынтірек қорабы 3. Бұранда 4. Тетік

► **Сурет6:** 1. Бұранда 2. Тетік

Бұранданы босатқаннан кейін, дөңгелек сақтандырғышындағы тетікті босатыңыз. Дөңгелек сақтандырғышы жолағындағы дөңес жерді мойынтірек қорабындағы ойықпен туралап, дөңгелек сақтандырғышын орнатыңыз. Содан кейін сақтандырғышты суретте көрсетілген күйге айналдырыңыз. Дөңгелек сақтандырғышын бекіту үшін тетікті қатайтыңыз. Егер тетік тым қатты немесе дөңгелек сақтандырғышын бекіту үшін тым бос болса, дөңгелек сақтандырғышы жолағының тығыздығын реттеу үшін бұранданы босатыңыз немесе қатайтыңыз.

Дөңгелек сақтандырғышын алып тастау үшін орнату процедурасын керісінше орындаңыз.

## Ортасы ойық дөңгелекті/көпфункционалы дискіні орнату немесе алып тастау

► **Сурет7:** 1. Тоқтатқыш сомын 2. Ортасы ойық ажарлағыш дөңгелек/көпфункционалы диск 3. Ішкі фланец

#### ▲ **ЕСКЕРТУ:**

- Ортасы ойық ажарлау дөңгелегін/құралдағы көпфункционалы дискіні әрқашан бірге берілген сақтандырғышпен пайдаланыңыз. Пайдалану кезінде дөңгелек жарылып кетуі мүмкін, ал сақтандырғыш жарақат алу ықтималдығын азайтады.

Ішкі фланецті шпиндельге орнатыңыз. Дөңгелекті/дискіні ішкі фланецке орнатып, тоқтатқыш сомынды шпиндельге бұрап бекітіңіз.

Тоқтатқыш сомынды бекіту үшін шпиндель айнала алмайтындай білік құлпын мықтап басыңыз, содан кейін тоқтатқыш сомын кілтін қолданып, сағат тілімен бұрап бекітіңіз.

► **Сурет8:** 1. Тоқтатқыш сомын кілті 2. Білік құлпы

Дөңгелекті алып тастау үшін орнату процедурасын керісінше орындаңыз.

▲ **ЕСКЕРТУ:** Білік құлпын шпиндель қозғалмай тұрған кезде ғана іске қосыңыз.

## ПАЙДАЛАНУ

#### ▲ **ЕСКЕРТУ:**

- Құралға күш салудың қажеті жоқ. Құралдың салмағы жеткілікті қысым түсіреді. Күш түсіріп, шамадан тыс қысым қолдану қауіп төндіретін дөңгелек сынуына әкелуі мүмкін.
- Егер ажарлау кезінде құрал құлап кетсе, дөңгелекті МІНДЕТТІ ТҮРДЕ ауыстырыңыз.
- Ажарлағыш дискіні немесе дөңгелекті өңделетін аймаққа ЕШҚАШАН соқпаңыз не қақпаңыз.
- Дөңгелектің серпілуіне не ілінуіне жол бермеңіз, өсіресе бұрыштармен, өткір жиектермен және т.б. беттермен жұмыс істеген кезде мұқият болыңыз. Бұл құралды игере алмай қалуға және кері соққыға әкелуі мүмкін.
- Құралды ағаш кесетін жүздермен және басқа ара жүздерімен ЕШҚАШАН пайдаланбаңыз. Ажарлағыш машинада осындай жүздерді қолданған кезде жиі соққы береді, құралға ие бола алмай қалсаңыз, жарақат алуыңыз мүмкін.

#### ▲ **САҚ БОЛЫҢЫЗ:**

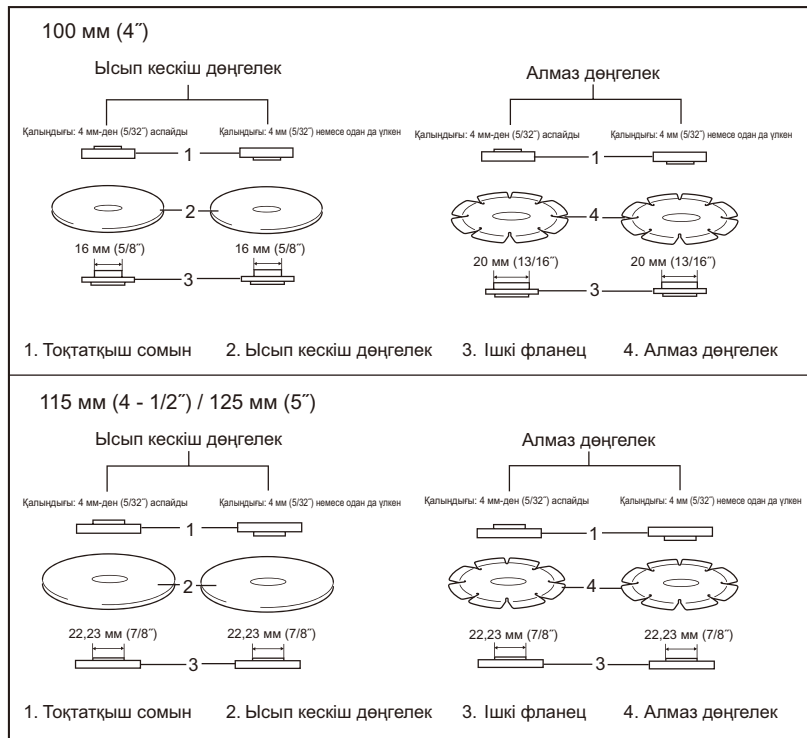
- Жұмысты аяқтағаннан кейін, үнемі құралды өшіріп, оны төменге қоймас бұрын дөңгелегінің толықтай тоқтағанын күтіңіз.

## Ажарлау және тегістеу жұмыстары

Бір қолыңызбен құралды корпусынан, ал екінші қолыңызбен бүйірлік тұтқасынан ӨРДАЙЫМ мықтап ұстаңыз. Құралды іске қосыңыз да, дөңгелекті немесе дискіні өңдеу бөлшегіне қолданыңыз. Негізінде дөңгелектің немесе дискінің шетін өңдеу бөлшегінің бетіне шамамен 15 градустық бұрышта ұстаңыз.

Жаңа дөңгелекті қолданысқа енгізу кезінде, ажарлағышты В бағытында жүргізеңіз, әйтпесе ол өңдеу бөлшегін ойып өтуі мүмкін. Дөңгелектің шеті қолданыс әсерінен дөңгелектенгеннен кейін, дөңгелек А және В бағыттарында жұмыс істей алады.

### ► Сурет9



## Ысып кескіш дөңгелекпен/ алмаз дөңгелекпен жұмыс істеу (қосымша керек жарақ)

► Сурет10: 1. Тоқтатқыш сомын 2. Ысып кескіш дөңгелек/алмаз дөңгелек 3. Ішкі фланец 4. Ысып кескіш дөңгелекке/ алмаз дөңгелекке арналған дөңгелек сақтандырғышы

Тоқтатқыш сомынды және ішкі фланецті орнату бағыты дөңгелектің қалыңдығына байланысты өзгереді.

Төмендегі кестені қараңыз.

## ▲ ЕСКЕРТУ:

- Ысып кескіш дөңгелекті/алмаз дөңгелекті пайдаланғанда, тек кескіш дөңгелектермен пайдалануға арналған дөңгелек сақтандырғышын пайдаланыңыз. (Еуропа елдерінде алмаз дөңгелекті пайдаланған кезде, қарапайым сақтандырғышты қолдануға болады.)
- Бүйірлік ажарлау үшін кескіш дөңгелекті ЕШҚАШАН пайдаланбаңыз.
- Дөңгелекті қажамаңыз немесе шамадан тыс қысым түсірмеңіз. Шамадан тыс терең кесуге тырыспаңыз. Дөңгелекке шамадан тыс қысым түсіргенде, жүктеме және дөңгелектің кесу кезіндегі айналу немесе қисаюға бейімділігі, сондай-ақ кері соғу немесе дөңгелектің сыну мүмкіндігі артады және қозғалтқыш қызып кетуі мүмкін.
- Өңдеу бөлшегінде кесу әрекетін бастамаңыз. Дөңгелекті толық жылдамдығына жеткізіп, кесуді абайлап бастаңыз және өңдеу бөлшегінің бетінде құралды алға қарай жылжытыңыз. Электр құралы өңдеу бөлшегінде іске қосылса, дөңгелек қажалуы, бағытынан ауытқуы немесе кері соғуы мүмкін.
- Кесу жұмыстары кезінде дөңгелек бұрышын ешқашан өзгертпеңіз. Кескіш дөңгелекке (ажарлау кезіндегідей) бүйірлік қысым түсіру дөңгелектің жарылуына және сынуына әкеліп соғады, бұл ауыр жарақатқа себеп болады.
- Кесіп жатқан материалға алмаз дөңгелекті перпендикуляр бағытта ұстап жұмыс істеу қажет.

## ТЕХНИКАЛЫҚ ҚЫЗМЕТ КӨРСЕТУ

### ▲ САҚ БОЛЫҢЫЗ:

- Тексеру немесе техникалық қызмет көрсету жұмыстарын жүргізбес бұрын, әрдайым құралдың өшірулі екендігіне және тоқтан ажыратылғанына көз жеткізіңіз.
- Жанармайды, бензинді, сұйылтқышты, спиртті немесе соған ұқсас заттарды ешқашан пайдаланбаңыз. Нәтижесінде түссіздену, бүліну немесе жарықтар пайда болуы мүмкін.

► **Сурет 11:** 1. Ауа шығу желдеткіші 2. Ауа кіру желдеткіші

Құралды және оның желдеткіштерін таза ұстаңыз. Құралдың ауа желдеткіштерін немесе желдеткіштер бітеле бастағанда үнемі тазалап отырыңыз. Өнімнің ҚАУІПСІЗДІГІ мен СЕНІМДІЛІГІН қамтамасыз ету үшін жөндеу жұмыстары, графитті қылшақты тексеру және алмастыру, кез келген басқа техникалық қызмет көрсету немесе реттеу жұмыстары Makita компаниясының өкілетті қызмет көрсету орталықтары тарапынан (Makita қосалқы бөлшектерін қолдана отырып) орындалуы керек.

## ҚОСЫМША КЕРЕК-ЖАРАҚТАР

### ▲ САҚ БОЛЫҢЫЗ:

- Бұл керек-жарақтар мен қондырмаларды осы нұсқаулықта көрсетілген Makita құралымен бірге пайдаланған дұрыс. Басқа керек-жарақтар мен қондырмаларды пайдалану адамдардың жарақаттануына әкелуі мүмкін. Керек-жарақты немесе қондырманы тек мақсатына сәйкес қолданыңыз.

Осы керек-жарақтар туралы қосымша мәлімет алу үшін көмек қажет болса, жергілікті Makita қызмет көрсету орталығына хабарласыңыз.

- Дөңгелек сақтандырғышы (дөңгелек қақпағы) ортасы ойық дөңгелекке/көпфункционалы дискіге арналған
- Дөңгелек сақтандырғышы (дөңгелек қақпағы) ысып кесу дөңгелегіне/алмаз дөңгелекке арналған
- Ортасы ойық дөңгелектер
- Ысып кескіш дөңгелектер
- Көпфункционалы дискілер
- Алмаз дөңгелектер
- Сым қақпақшалы қылшақтар
- 85 конустық сым қылшағы
- Ысқыш дискілер
- Ішкі фланец
- Ортасы ойық дөңгелекке/ысып кескіш дөңгелекке/көпфункционалы дискіге/алмаз дөңгелекке арналған тоқтатқыш сомын
- Ысқыш дискінің тоқтатқыш сомын
- Тоқтатқыш сомын кілті
- Бүйірлік тұтқа

### ЕСКЕРТПЕ:

- Тізімдегі кейбір элементтер стандартты керек-жарақтар ретінде құралдың қаптамасында болуы мүмкін. Олар әр елде әртүрлі болуы мүмкін.





**Makita Europe N.V.** Jan-Baptist Vinkstraat 2,  
3070 Kortenberg, Belgium

**Makita Corporation** 3-11-8, Sumiyoshi-cho,  
Anjo, Aichi 446-8502 Japan

[www.makita.com](http://www.makita.com)

884853-786  
EN, RU, KK  
20181217