




SPEED CHAMPIONS



76895



 [LEGO.com/speedchampions](https://www.lego.com/speedchampions)

TM.by
ONLINE STORE

<https://tm.by>
Интернет-магазин TM.by



2



- 1** Scan the code on the front cover
Scanne den Code auf der Titelseite
Scanne le code sur la page de couverture
Scanner le code sur la page couverture
Scansiona il codice sulla copertina
Escanea el código de la portada
Faz scan do código na frente da capa
Olvasd be a borítón látható kódot!
Noskenë kodu uz priekšējā vāka
扫描封面上的二维码

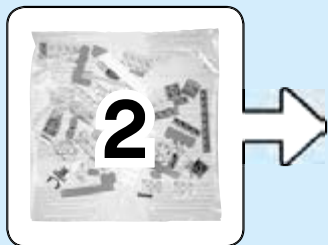
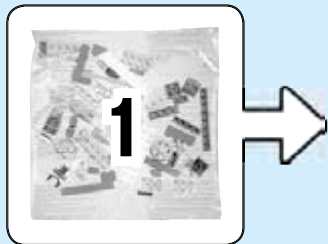


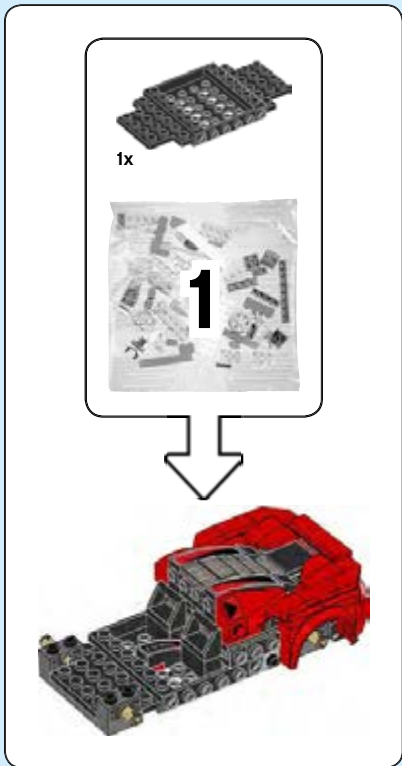
- 2** Get the Building Instructions
Hol dir die Bauanleitung
Obtiens les instructions de montage
Obtenir les instructions de montage
Scarica le istruzioni per la costruzione
Consulta las instrucciones de construcción
Obtém as Instruções de Construção
Szerezd be az építési útmutatókat!
Saņem būvēšanas instrukcijas
获取拼搭说明

LEGO.com/apps

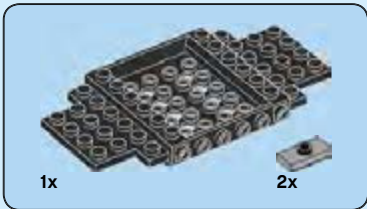
Check for compatibility
Kompatibilität prüfen
Vérifier la compatibilité
Controlla la compatibilità
Comprueba tu compatibilidad

Verificar a compatibilidade
Ellenőrizd a kompatibilitás
Pārbaudīt saderību
检查兼容性





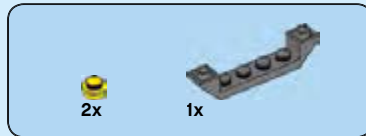
5



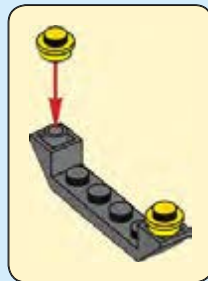
1

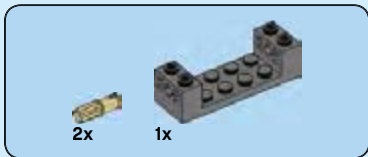


6

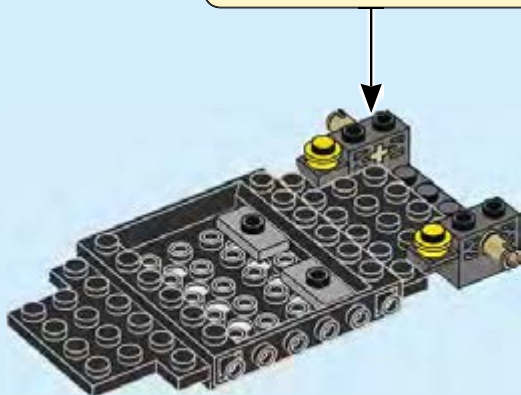
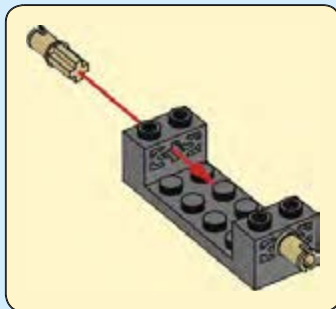


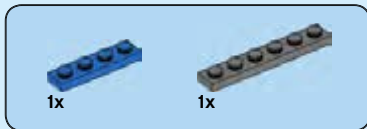
2



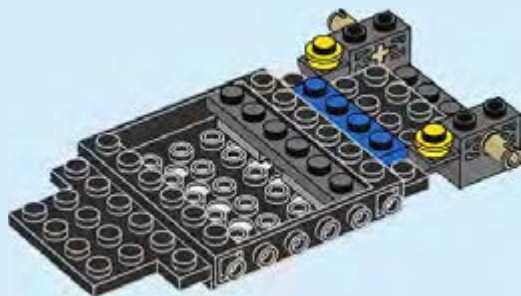


3

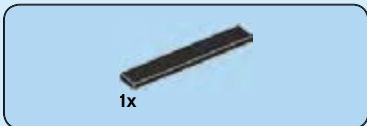




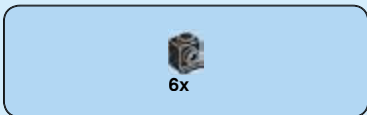
4



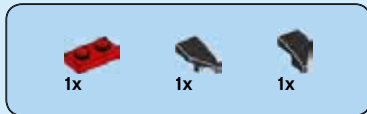
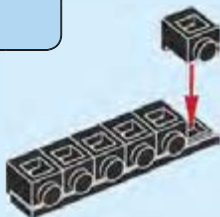
8



5



6



7

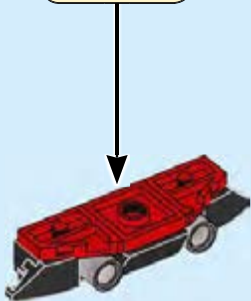


8





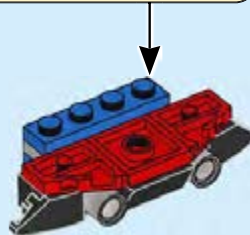
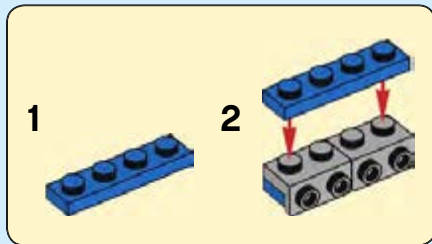
9



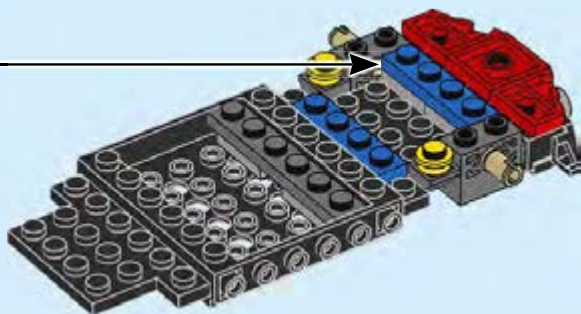
10



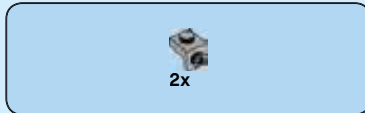
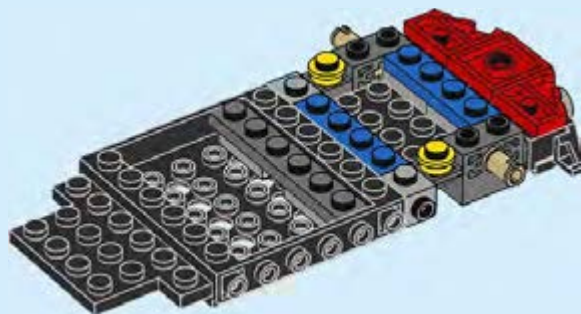
10



11



12



11

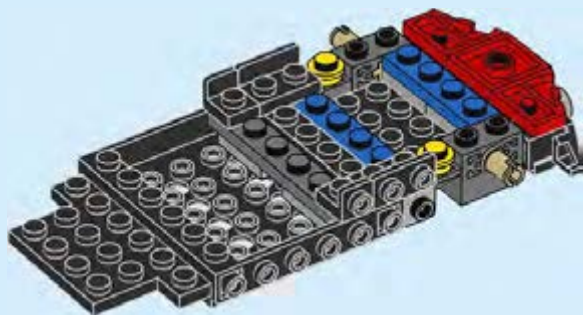


2x



2x

13



12

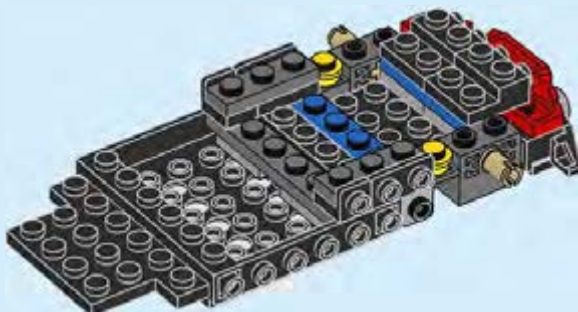


2x



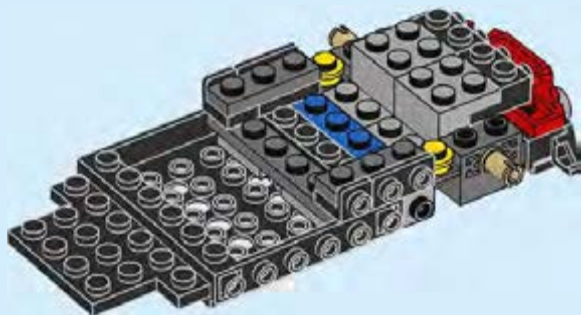
2x

14

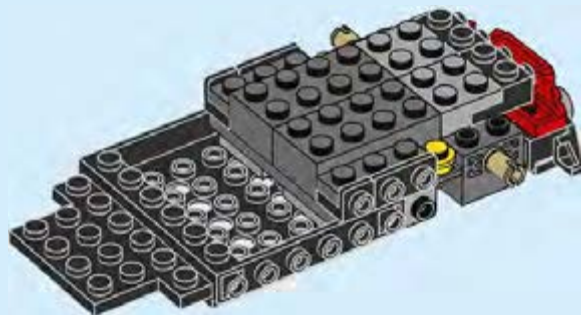




15



16

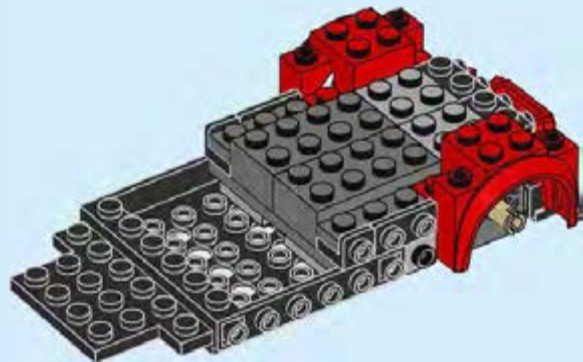


13



2x

17

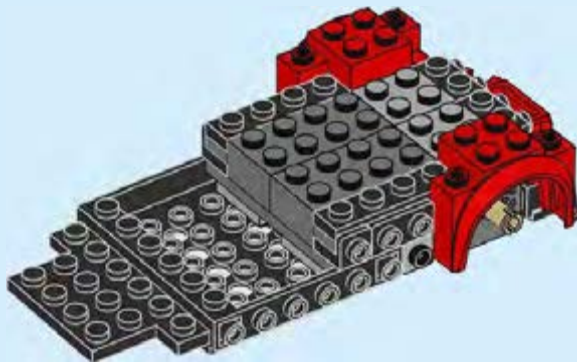


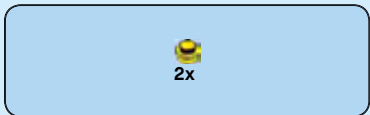
14



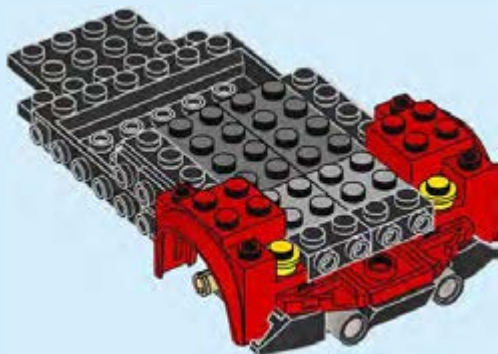
2x

18

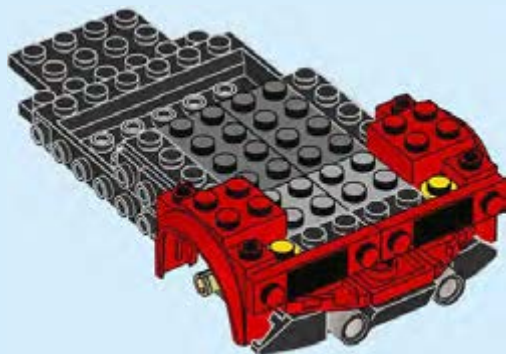




19

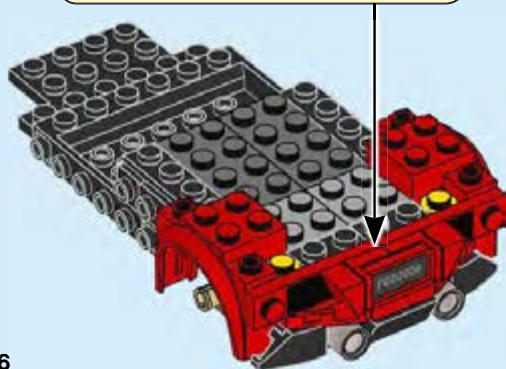
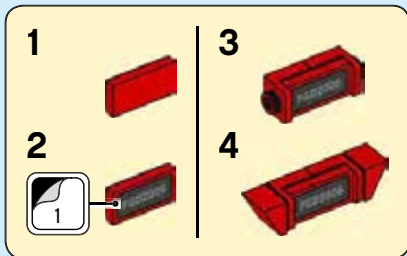


20

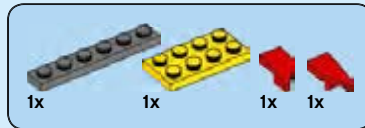




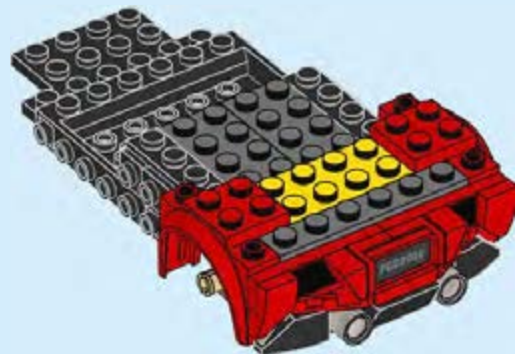
21



16

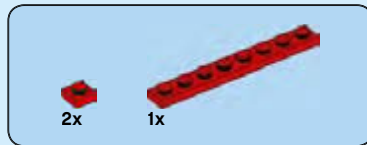
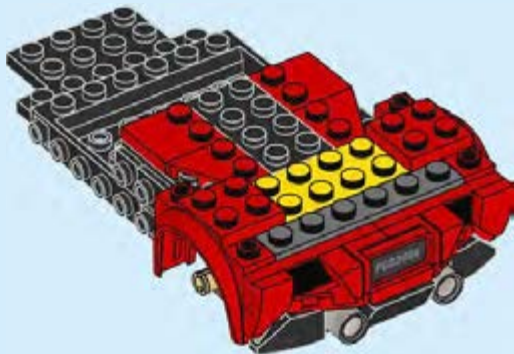


22

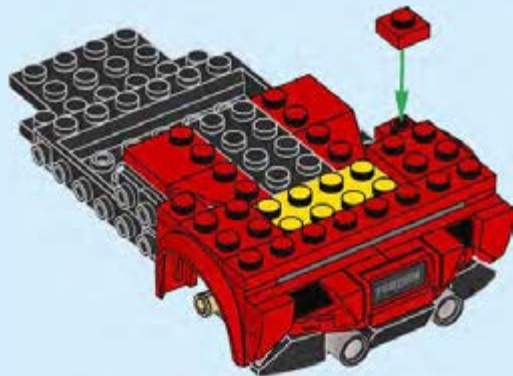




23



24

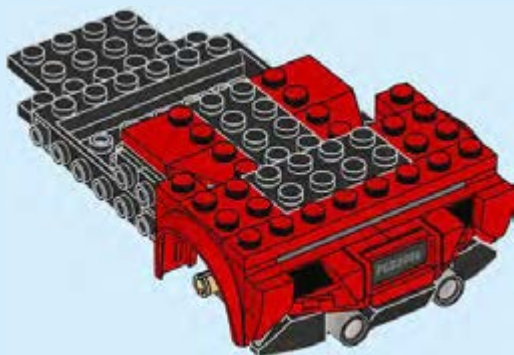


17



1x

25

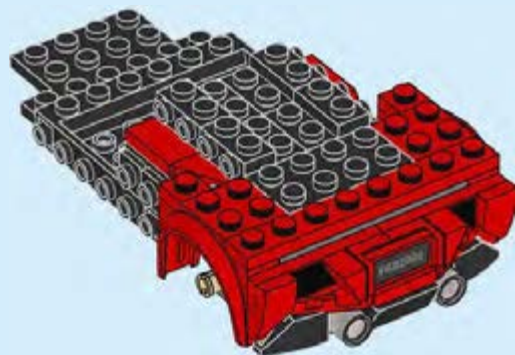


18



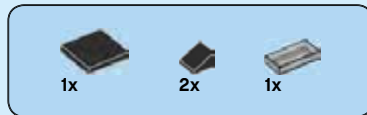
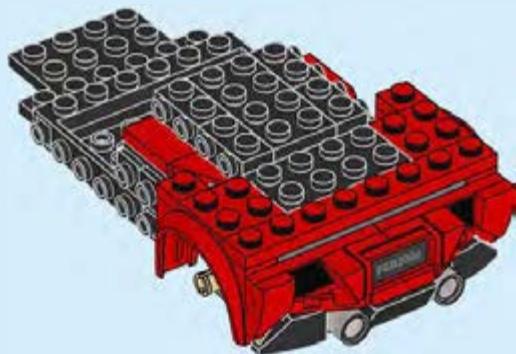
4x

26

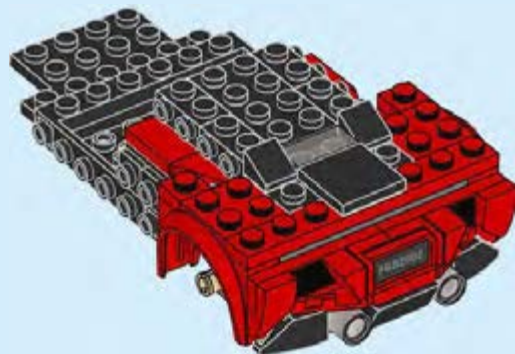




27



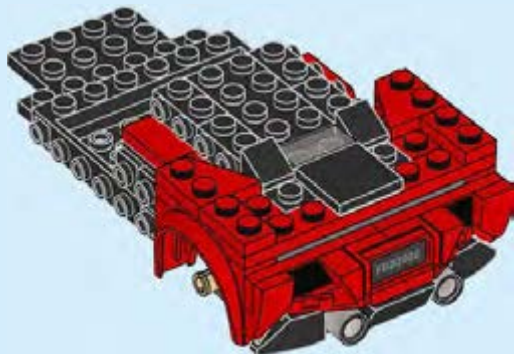
28



19



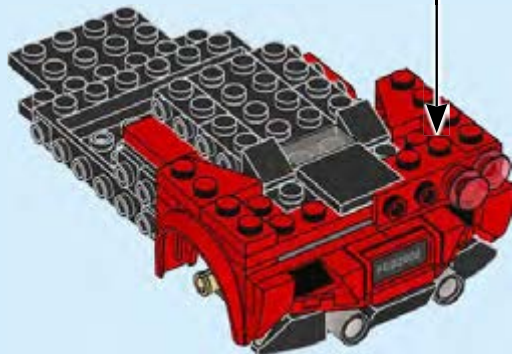
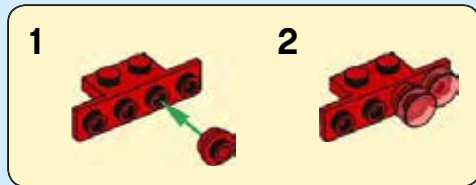
29



20

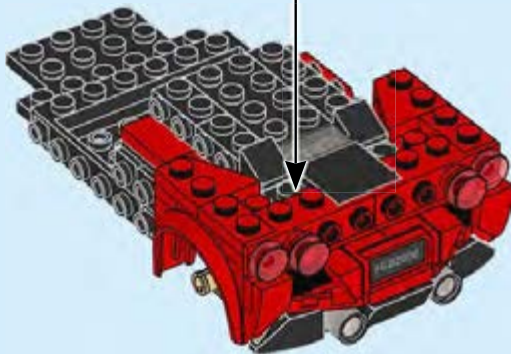


30





31



21

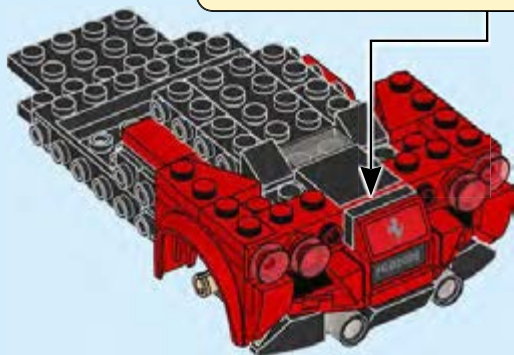
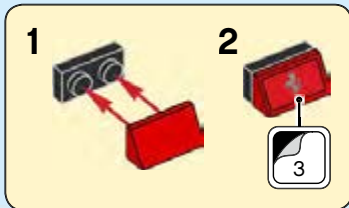


1x



1x

32



22

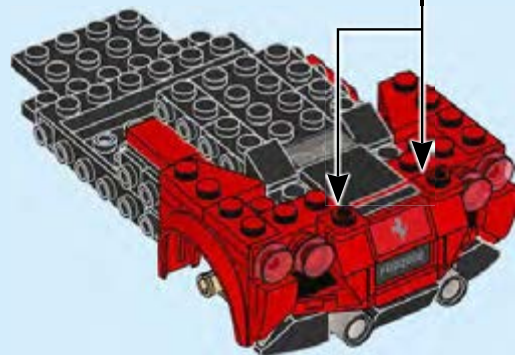
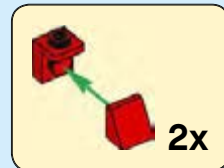


2x



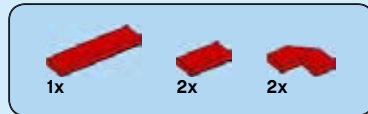
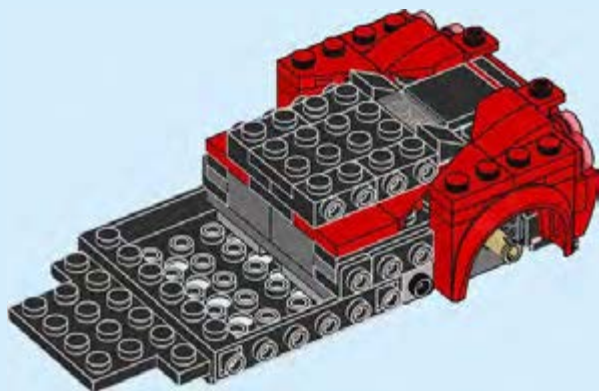
2x

33

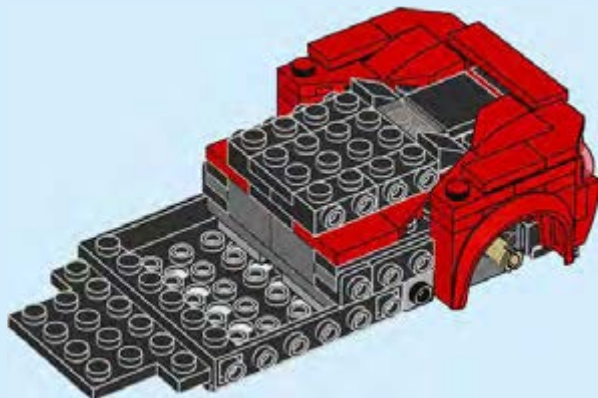




34



35



23

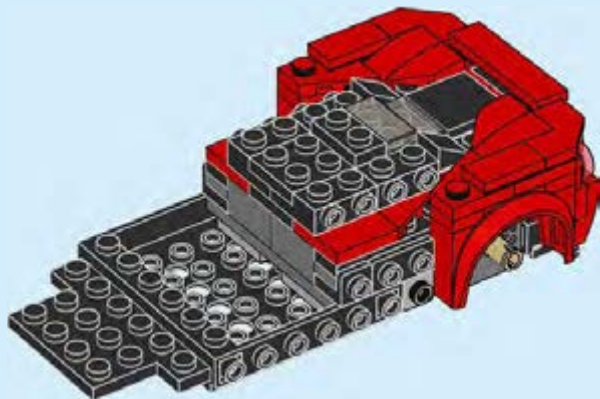


1x



1x

36

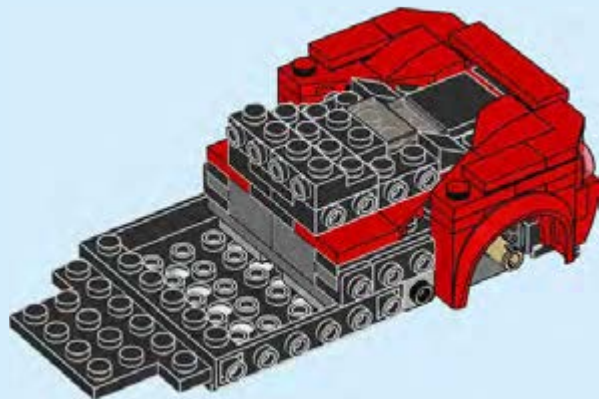


24



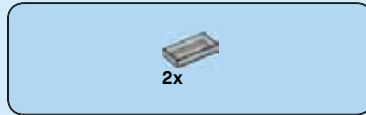
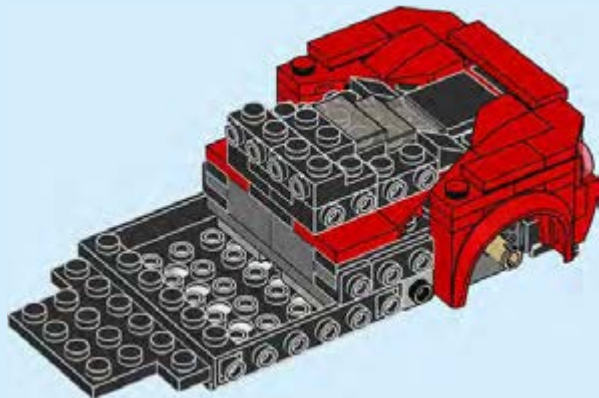
2x

37

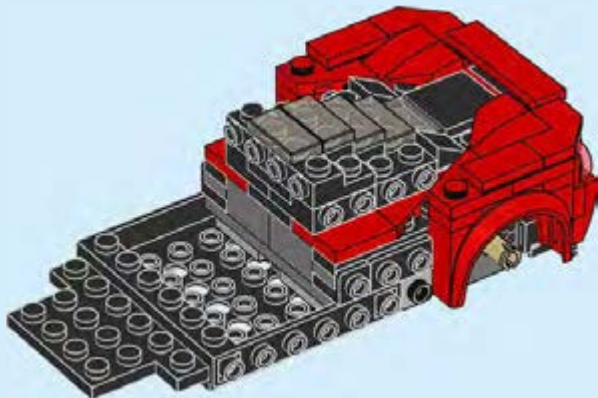




38

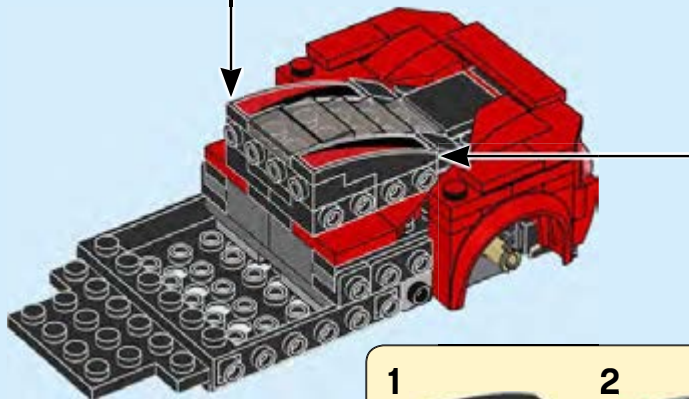


39

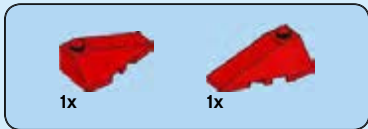




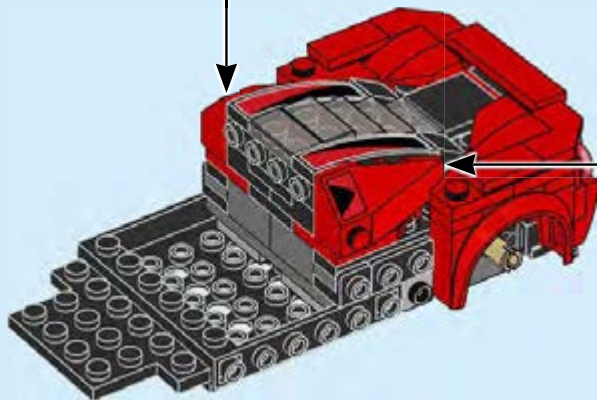
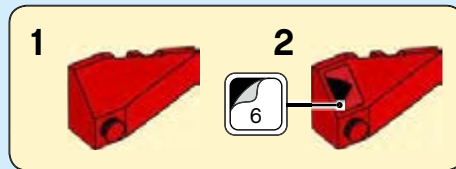
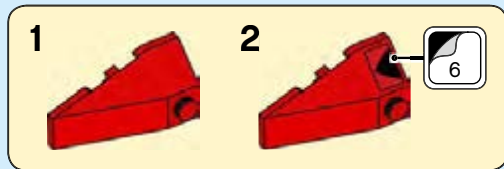
40



26



41



27

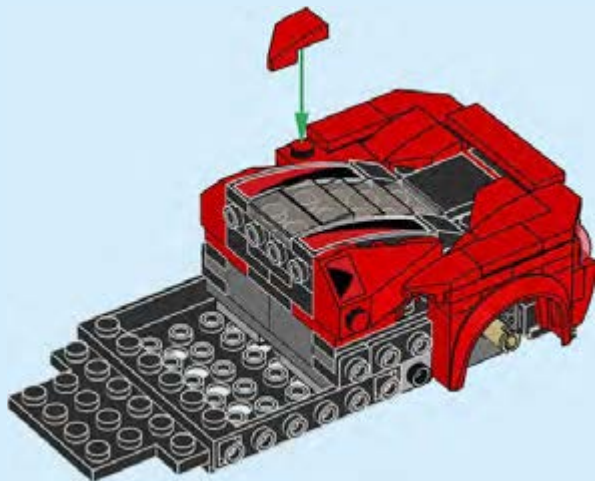


1x



1x

42



28



1x



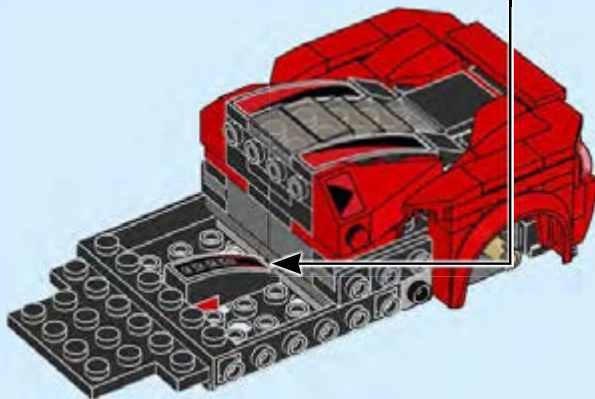
1x

43

1

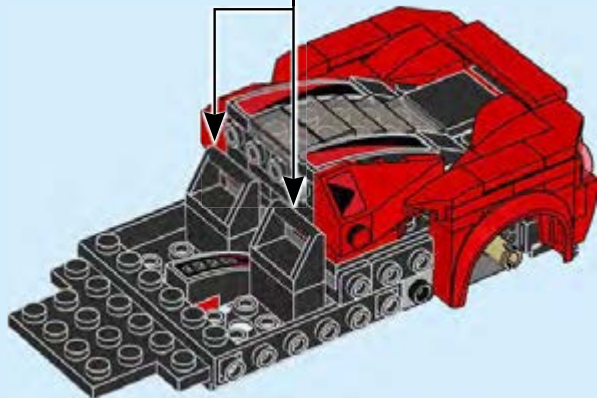
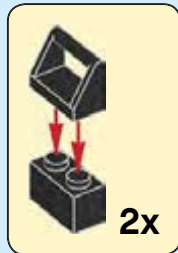


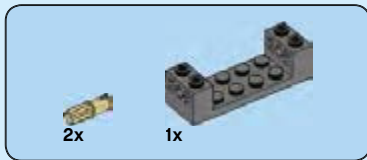
2



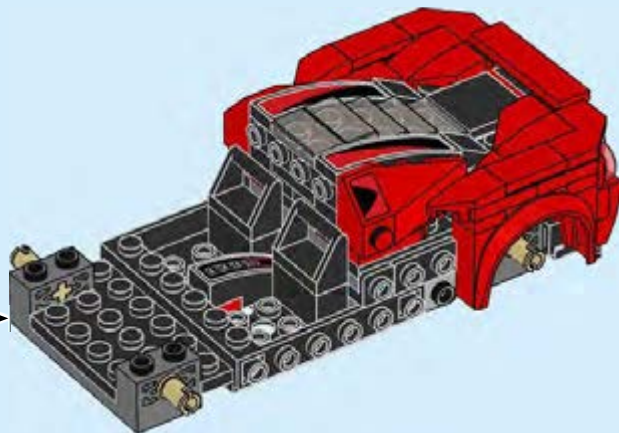
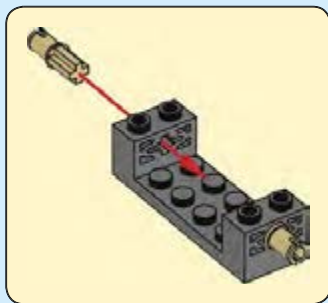


44

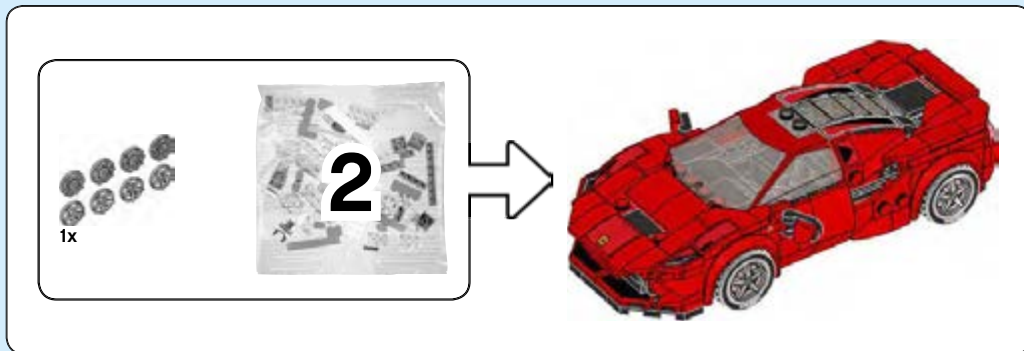




45



30



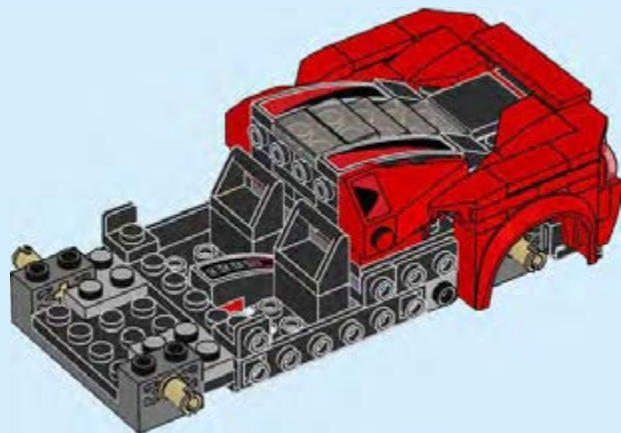


2x



2x

46



32



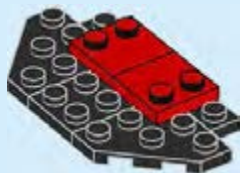
47



48



49





2x



2x

50



34



1x



1x

51



2x

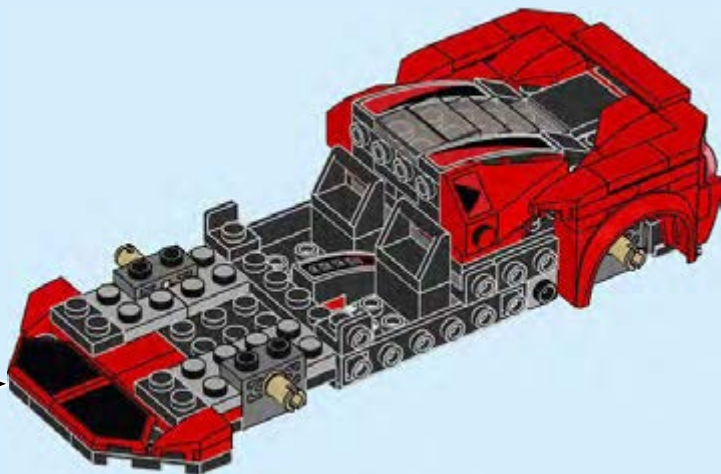


2x

52



53



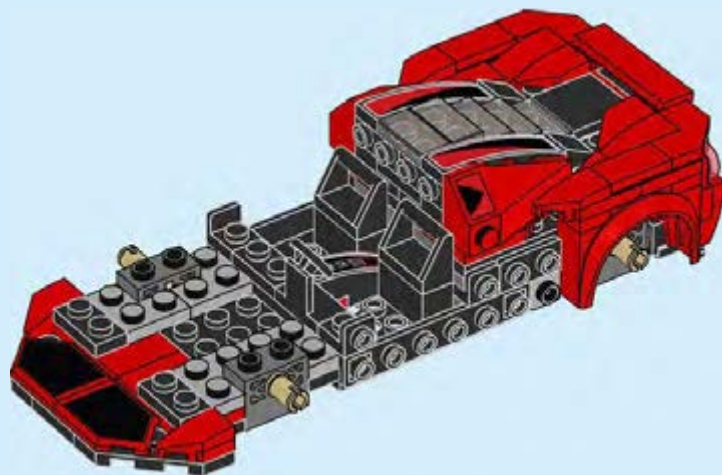


1x

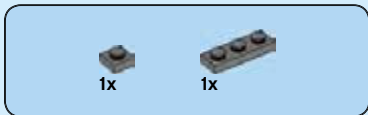


1x

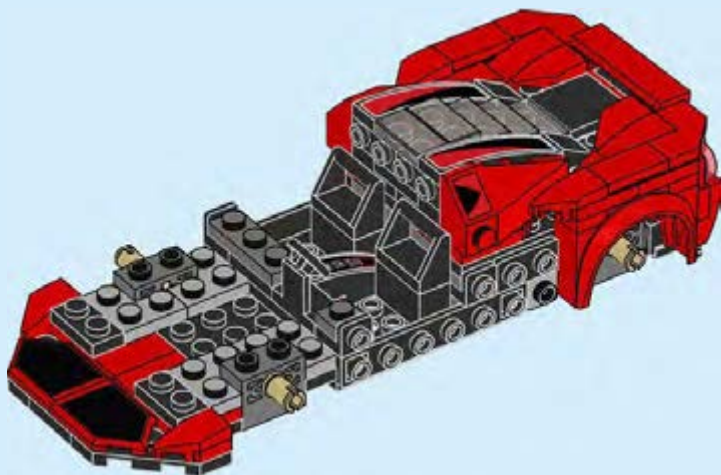
54



36



55



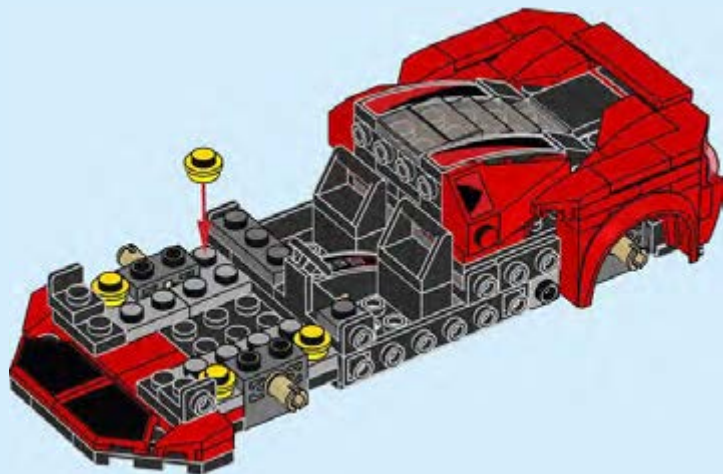


4x

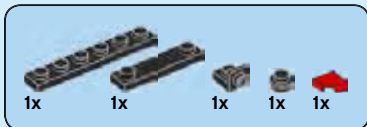


2x

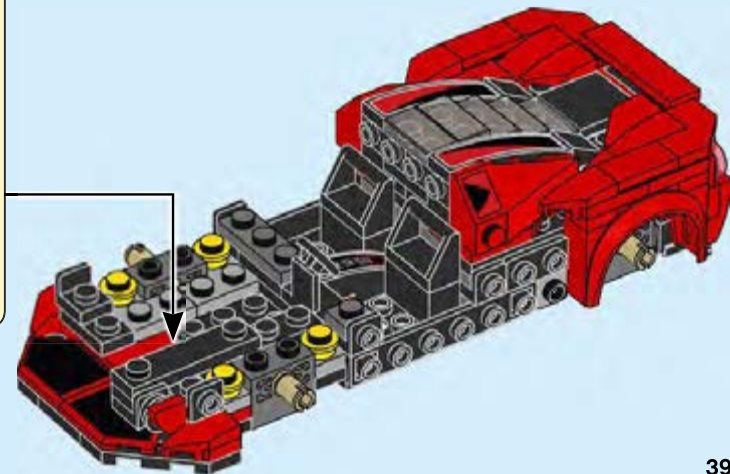
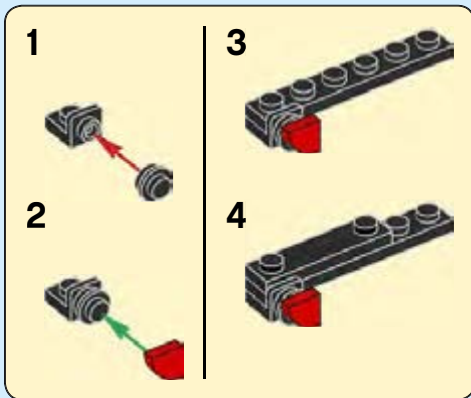
56



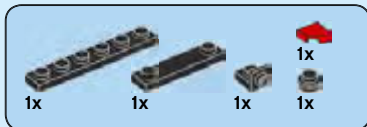
38



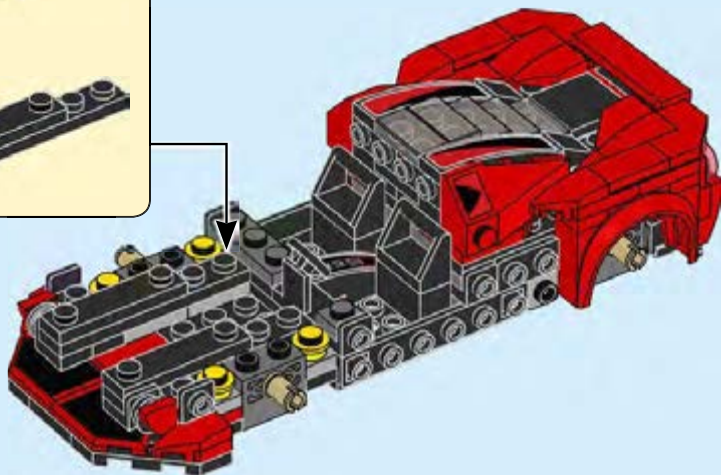
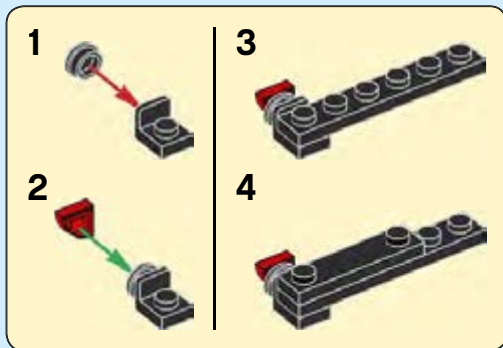
57



39



58



40



59

1



2



3



4

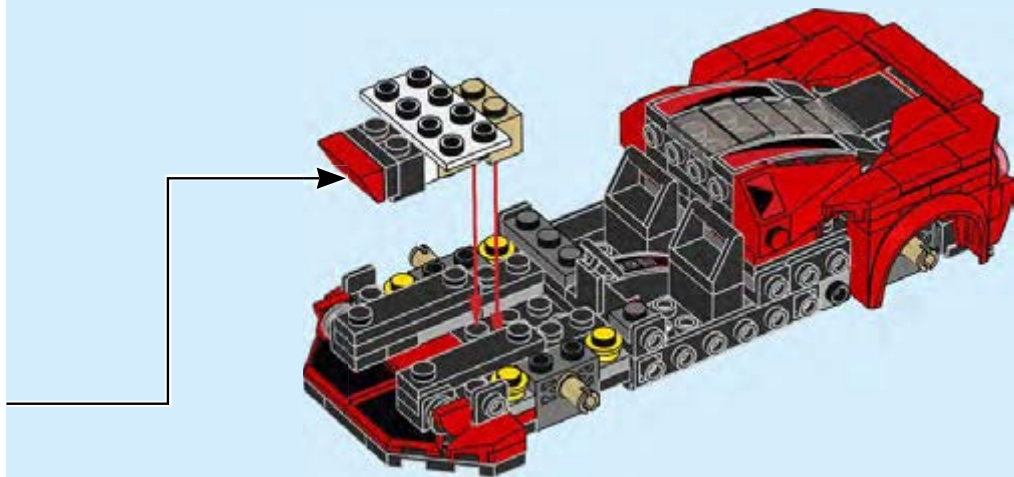


5



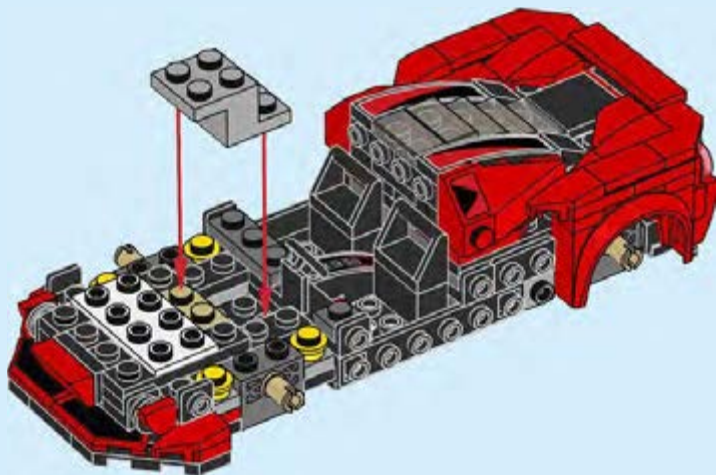
6







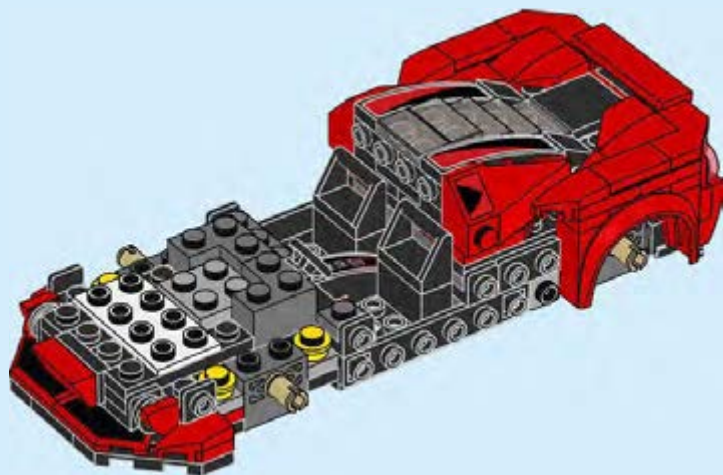
60





2x

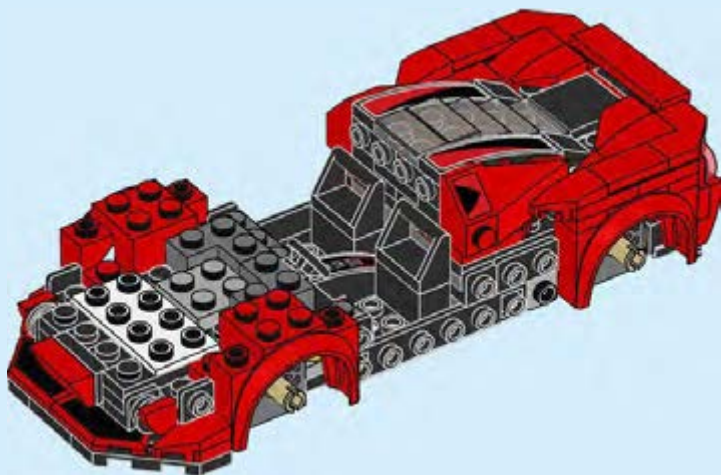
61



44



62



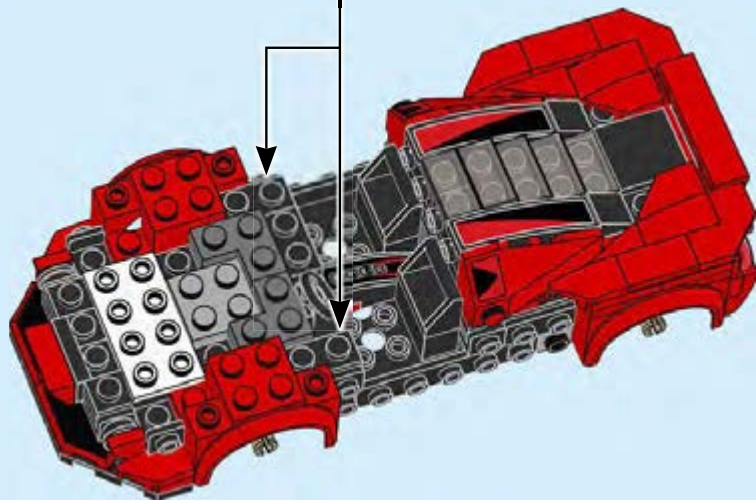


3x

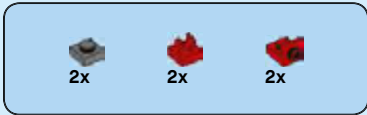
63



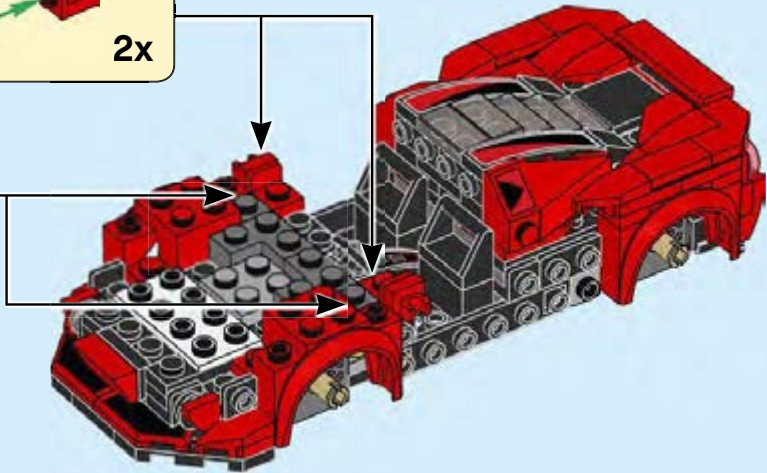
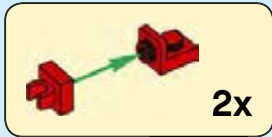
3x



46



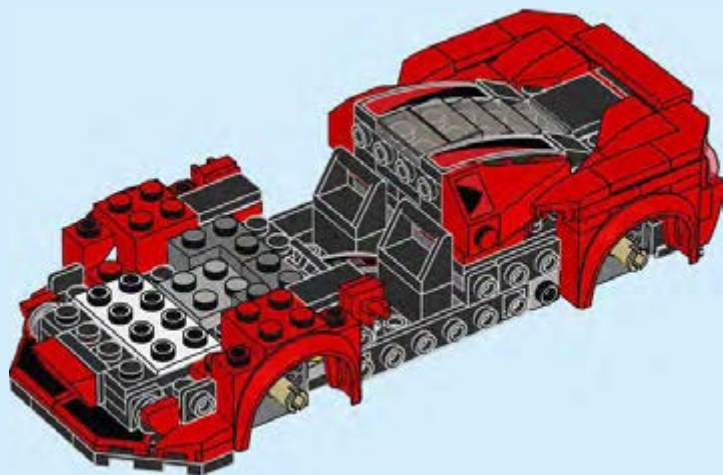
64





2x

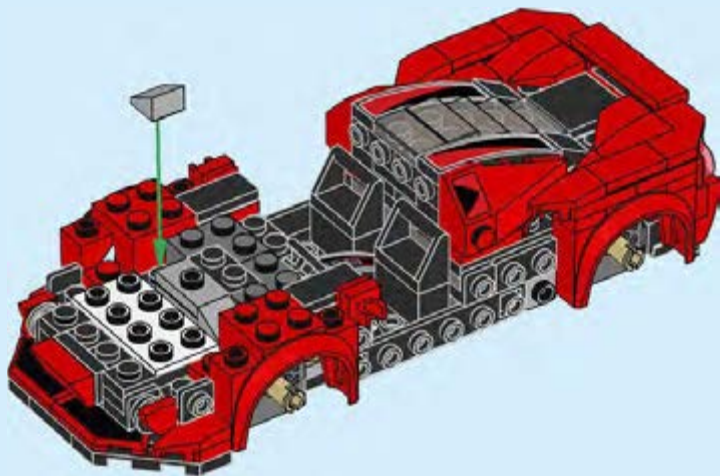
65



48

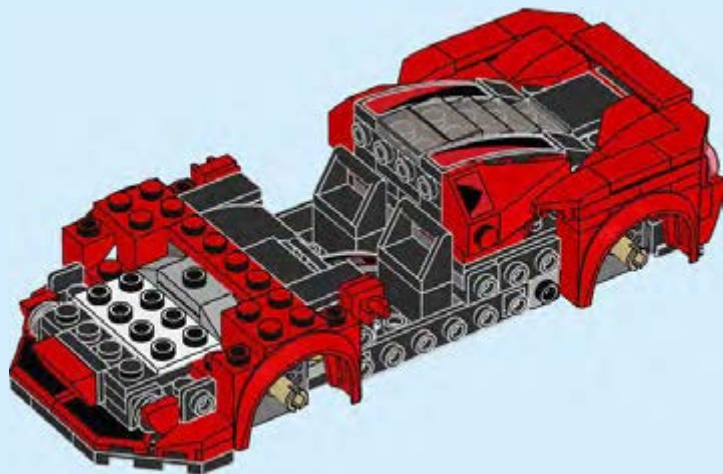


66





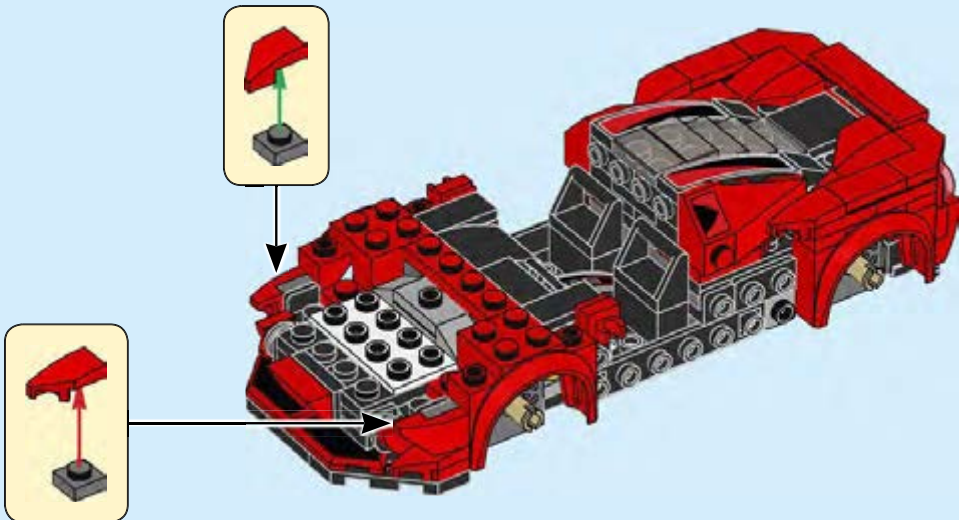
67

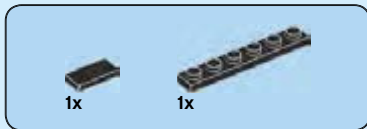


50

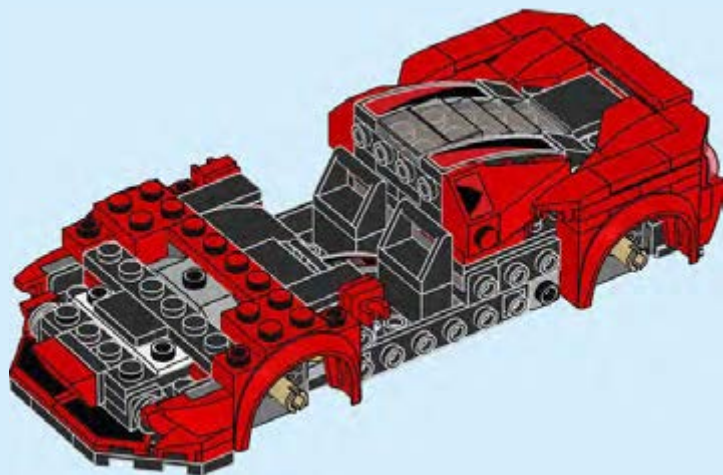


68





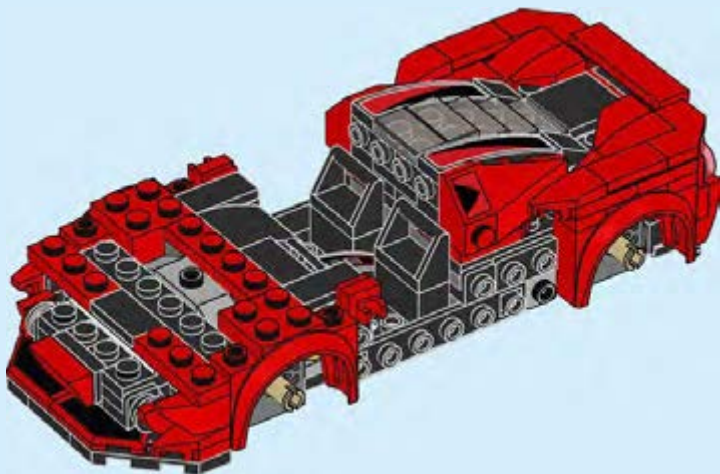
69



52



70





2x

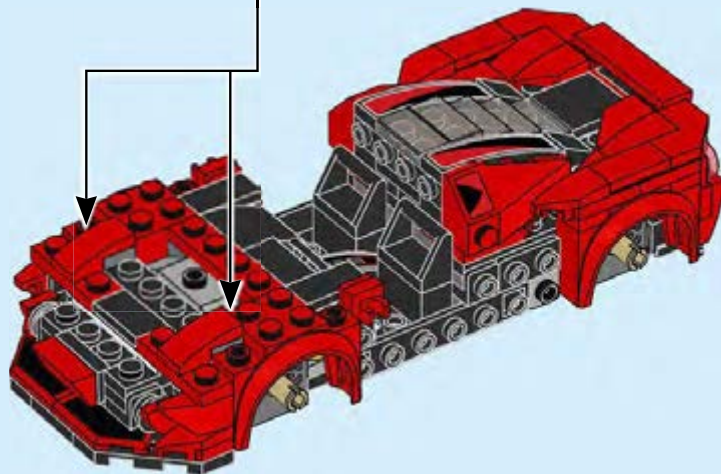


2x

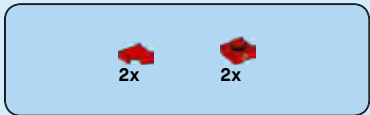
71



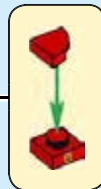
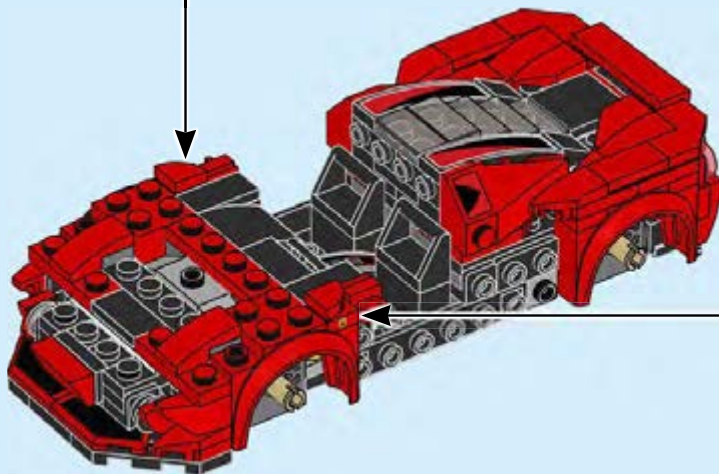
2x



54



72



55

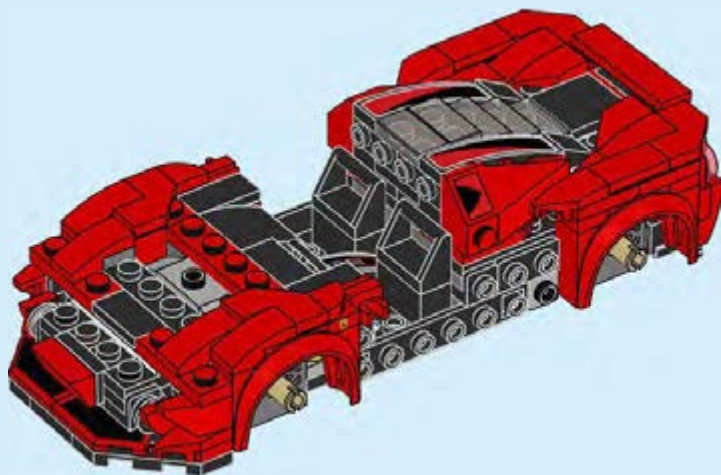


2x



2x

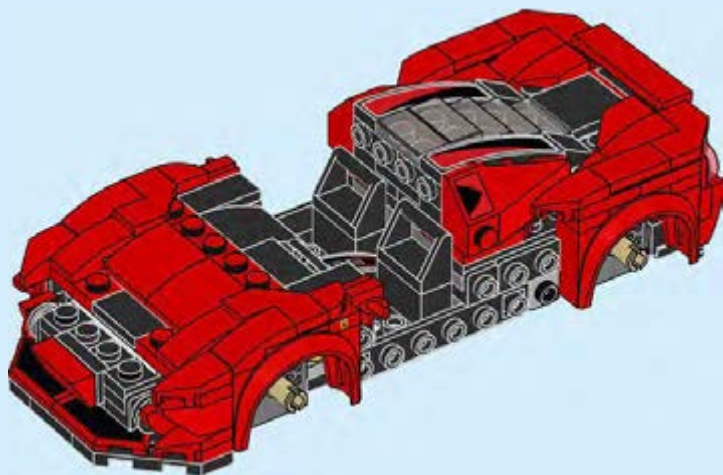
73

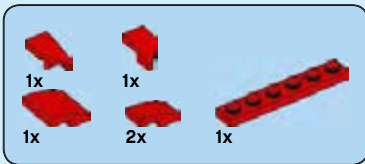


56

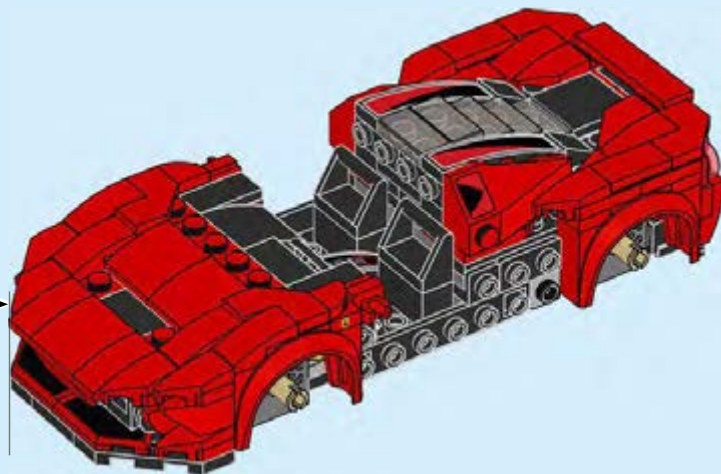
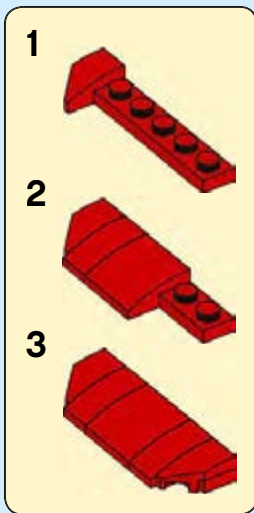


74

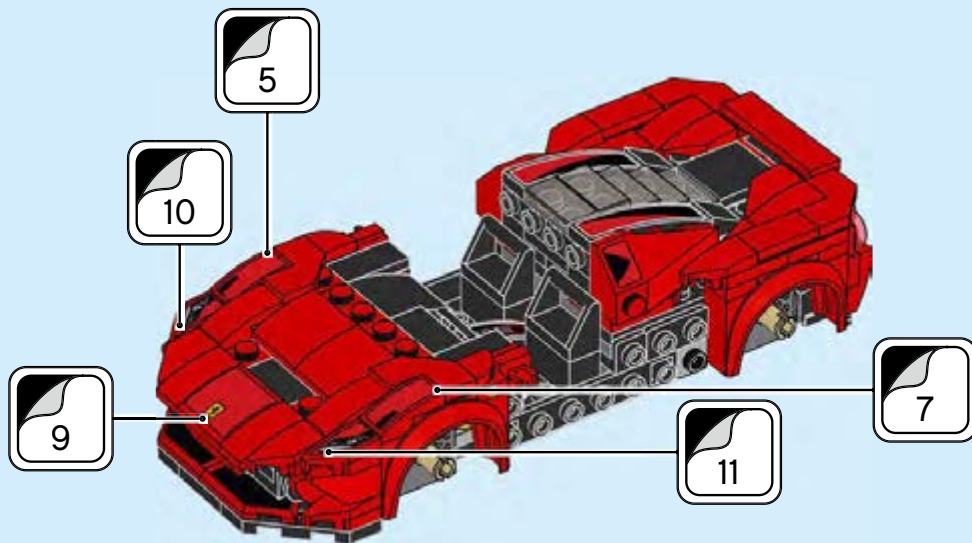


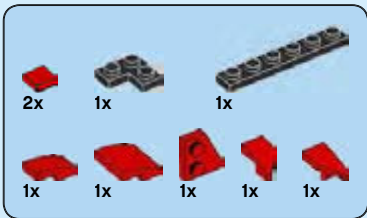


75



76





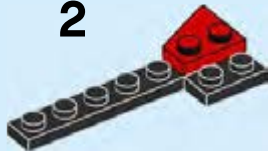
77

60

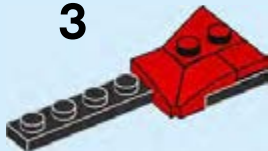
1



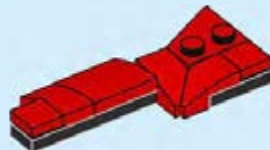
2



3

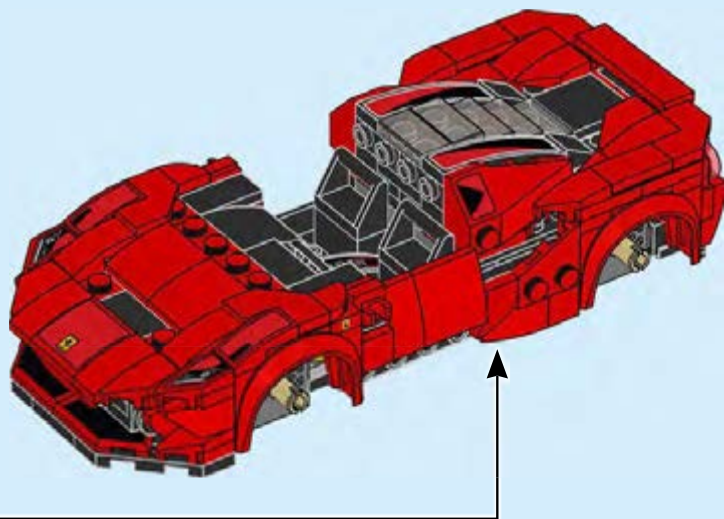


4



5

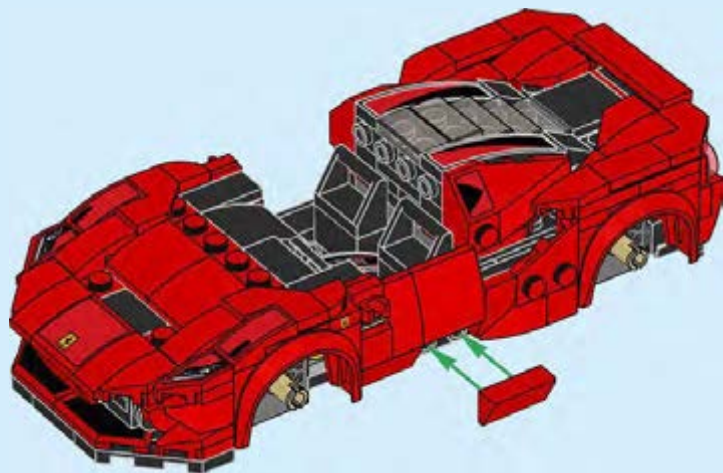




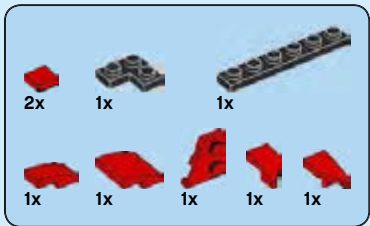


2x

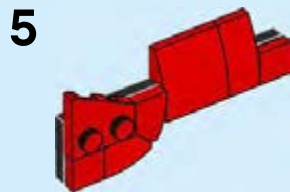
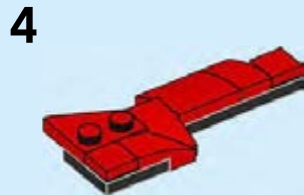
78



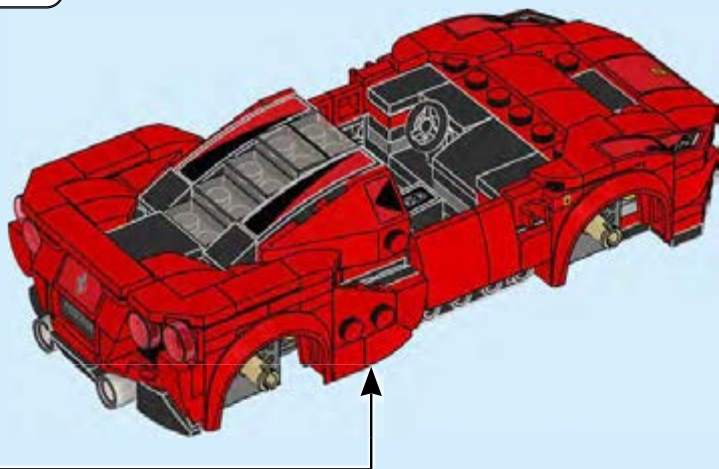
62



79



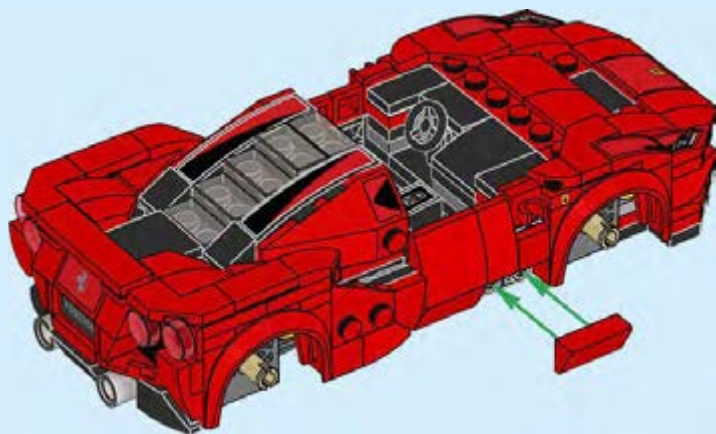
63



64

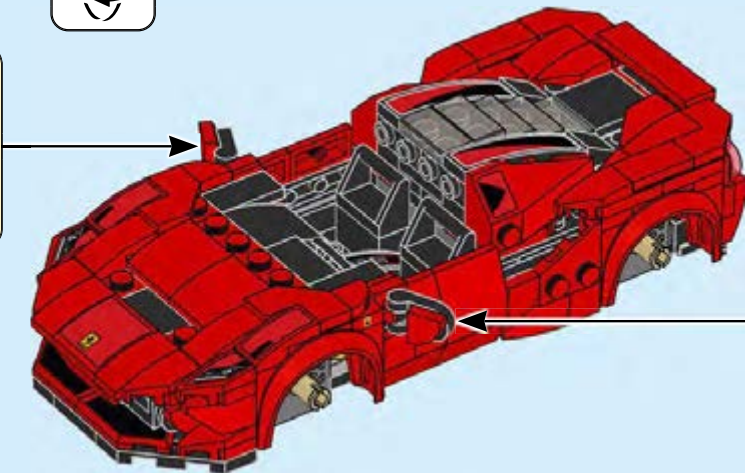


80





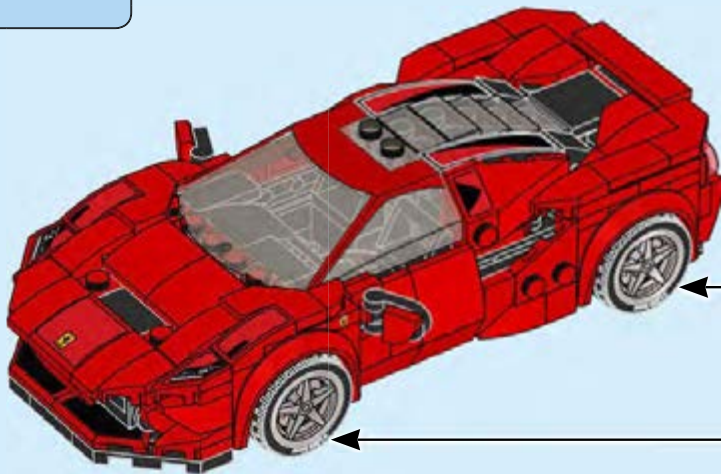
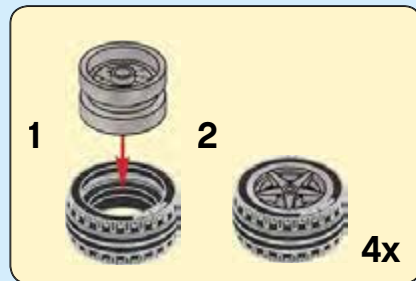
81



66



82



67



ManagerExcellentCrocodile



KingYummyCheetah



PrincessBassyRooster



LEGO.com/apps



Produced under license of Ferrari S.p.A. The name FERRARI, the PRANCING HORSE device, all associated logos and distinctive designs are property of Ferrari S.p.A. The body designs of the Ferrari cars are protected as Ferrari S.p.A. property under design, trademark and trade dress regulations.

Nissan Motor Co., Ltd trademarks, designs, copyrights and/or other intellectual property rights are used under license.

The "Lamborghini" and "Lamborghini Bull and Shield" trademarks, copyrights, designs and models are used under license from Automobili Lamborghini S.p.A, Italy.

Manufactured under license from McLaren Automotive limited. The McLaren name and logo are registered trademarks of McLaren. Senna is the registered trademark of Ayrton Senna Empreendimentos Ltda.

Jaguar and the leaper device are trademarks owned and licensed by Jaguar Land Rover Limited.

Microsoft, Forza Horizon, and the Forza Motorsport Logo are trademarks of the Microsoft group of companies.

The MINI logo and the MINI wordmark are trademarks of BMW AG and are used under license. Austin and Morris are the trademarks of MG Motor UK Ltd, licensed by British Motor Heritage Ltd.

Under license of Porsche AG.
Officially Licensed by AUDI AG.

Drive in
FORZA
HORIZON 4

*Requires Xbox Forza Horizon 4 game and Forza Horizon 4 LEGO® Speed Champions expansion, both sold separately. Parent must have valid Microsoft Account



2x
614126



2x
4504382



1x
6181720



8x
407026



8x
6234695



1x
4298619



1x
6213798



2x
6157554



1x
6181713



1x
4548180



4x
306926



2x
243226



2x
300426



12x
302326



1x
73081



2x
6020193



1x
306826



1x
6053077



2x
242026



8x
6052126



1x
4251161



1x
400626



4x
6102596



1x
302126



2x
4599499



2x
371026



2x
6037746



2x
4227684



3x
302026



7x
4210719



2x
4211109



3x
4211133



2x
4211085



1x
4294180



6x
366626



1x
663626



1x
6287679



2x
4521921



2x
6248078



3x
6066097



2x
4654582



4x
4211353



3x
6093054



2x
4211056



2x
6287680

4x
4666579



2x
6024495



8x
614124



1x
6224208



1x
302024



1x
6294355



1x
6244787



1x
6158058



3x
371023



1x
4162916

4x
6258607



2x
6253610



4x
4504379



4x
307021



3x
302421



9x
6177505



2x
6223427



6x
6170390



2x
6072998



6x
6249907



4x
6141552

4x
6141553



9x
6177507



6x
4651524



3x
302321



3x
306921



10x
6029946



5x
6219819



5x
6105976



2x
242021



4x
6217194

2x
6291048



2x
362321



2x
6168619



1x
243121



1x
371021



1x
6293750



4x
6102586



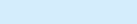
1x
6293751



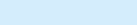
2x
6294049



1x
366621



1x
346021



1x
6289404



4x
6290261



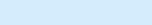
5x
6251292



2x
6161155



1x
6252789



Customer Service
Kundenservice
Service Consommateurs
Servicio Al Consumidor

LEGO.com/service or dial



: 00800 5346 5555

: 1-800-422-5346



Terms & Conditions apply

LEGO.com/productfeedback

GEWINNE

Erzähle uns auf
www.LEGO.com/productfeedback

etwas über die Erfahrungen, die du mit diesem LEGO® Set gemacht hast, und sichere dir die Chance auf einen coolen LEGO Preis!

Es gelten die Teilnahmebedingungen

GAGNE

Rends-toi sur
www.LEGO.com/productfeedback

et donne-nous quelques commentaires sur ce produit LEGO® pour avoir une chance de gagner un prix LEGO !

Voir Conditions Générales

GANAN

Visita
www.LEGO.com/productfeedback

y envíanos tu opinión acerca de este set LEGO®. ¡Participarás en el sorteo de un premio LEGO!

Términos y Condiciones aplicables

获取奖品

登录
www.LEGO.com/productfeedback

给出关于此乐高®套装的简短反馈，就有机会获得炫酷乐高奖品

《条款及条件》适用

LEGO and the LEGO logo are trademarks of the LEGO Group. ©2020 The LEGO Group. Produced under license of Ferrari S.p.A. The name FERRARI, the PRANCING HORSE device, all associated logos and distinctive designs are property of Ferrari S.p.A. The body designs of the Ferrari cars are protected as Ferrari S.p.A. property under design, trademark and trade dress regulations.

6309071