



**Instruction Manual**  
**Manuel d'instructions**  
**Manual de instrucciones**  
**Manual de Instruções**

**Important:**

Read this instruction manual carefully before putting the Power Cutter into operation and strictly observe the safety regulations!  
Keep this instruction manual!

**Important :**

Veillez lire attentivement ce mode d'emploi avant d'utiliser la découpeuse thermique et respectez strictement les consignes de sécurité !  
Conservez ce mode d'emploi !

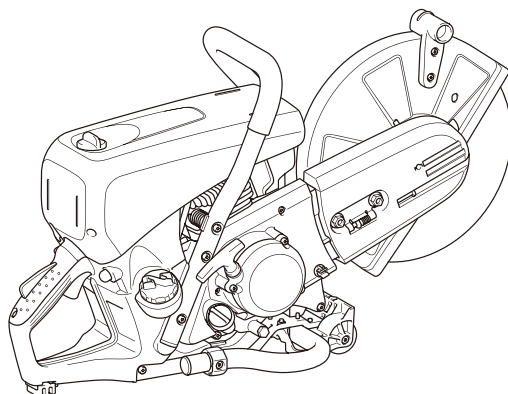
**Importante:**

Lea esta manual de instrucciones con atención antes de utilizar el cortador y ¡observe estrictamente las regulaciones de seguridad!  
¡Conserve este manual de instrucciones!

**Importante:**

Leia com atenção este manual de instruções antes de colocar a Cortadora a Gasolina em funcionamento e cumpra estritamente com os regulamentos de segurança!  
Guarde este manual de instruções!

EK7650H  
EK7651H  
EK7651HG



Thank you for purchasing a MAKITA product!

Congratulations on choosing a MAKITA Power Cutter! We are confident that you will be satisfied with this modern piece of equipment.

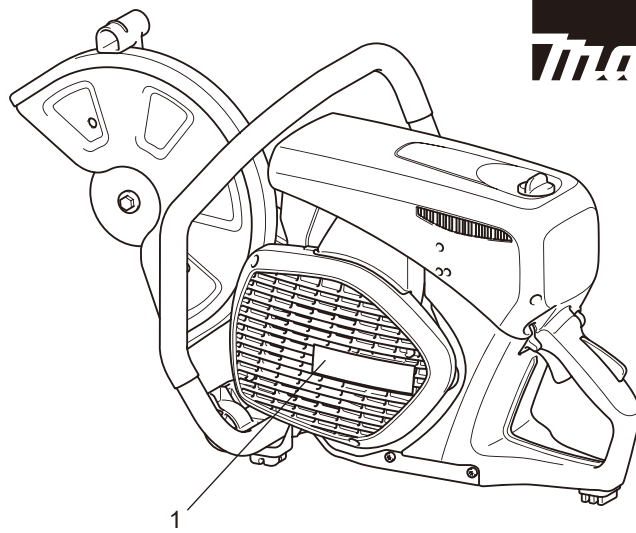
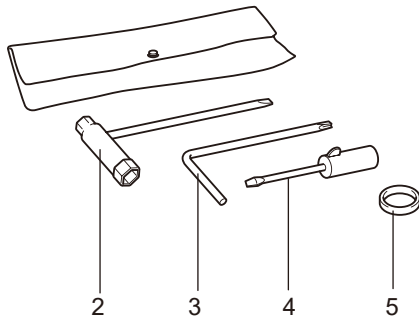
We want you to be satisfied with your MAKITA product.

In order to guarantee the optimal function and performance of your Power Cutter and to ensure your personal safety we would request you to perform the following:

**Read this instruction manual carefully before putting the Power Cutter into operation for the first time, and strictly observe the safety regulations! Failure to observe these precautions can lead to severe injury or death!**



<b>Table of Contents</b>	<b>Page</b>
<b>Delivery inventory</b> .....	3
<b>Symbols</b> .....	3
<b>SAFETY PRECAUTIONS</b> .....	4
General precautions.....	4
Protective equipment .....	4
Fuels / Refuelling .....	5
Putting into operation .....	5
Cutoff discs .....	6
Kickback and lock-in .....	7
Working behavior / Method of working.....	7
Cutting metals .....	8
Cutting masonry and concrete .....	8
Transport and storage .....	9
Maintenance.....	10
First aid .....	10
<b>Technical data</b> .....	11
<b>Denomination of components</b> .....	12
<b>PUTTING INTO OPERATION</b> .....	13
Mounting the cutting disc .....	13
Tightening the V-belt / Checking V-belt tension .....	14
Before operating.....	14
<b>Operating</b> .....	16
Starting.....	16
<b>Adjusting the carburetor</b> .....	17
<b>MAINTENANCE</b> .....	17
V-belt .....	18
Cleaning the protection hood .....	18
Cleaning/changing the air filter.....	19
Spark plug maintenance .....	20
Replacing the suction head.....	20
Cleaning the starter.....	21
Changing the cutting attachment position (central/side) .....	22
<b>SPECIAL ACCESSORIES</b> .....	23
Diamond cutting discs .....	23
Guide trolley .....	23
Water tank (the component of trolley) .....	23
Mains/pressure water system .....	23
<b>Maintenance chart</b> .....	24
<b>Fault location</b> .....	24
<b>Troubleshooting</b> .....	25
<b>Storage</b> .....	26



1. Power Cutter
2. 13/19 AF combination wrench
3. Star-shaped wrench
4. Carburetor adjustment screwdriver
5. Adapter ring (Tools for some countries may not require this ring.)
6. Instruction manual (not shown)

In case one of the parts listed should not be included in the delivery inventory, please consult your sales agent.

## Symbols

You will notice the following symbols on the saw and in the Instruction Manual:

	Read instruction manual and follow the warning and safety precautions!		<b>⚠ WARNING:</b> the max. peripheral speed of the cutting disc is 80 m/s!
	Particular care and caution!		Cutting disc dimensions
	Forbidden!		Engine-Manual start
	Wear protective helmet, eye and ear protection, and respiratory protection!		Stop engine!
	Wear protective gloves!		Warning! Kickback!
	No smoking!		Fuel (Gasoline)
	No open fire!		First Aid
	Direction of cutting wheel rotation		

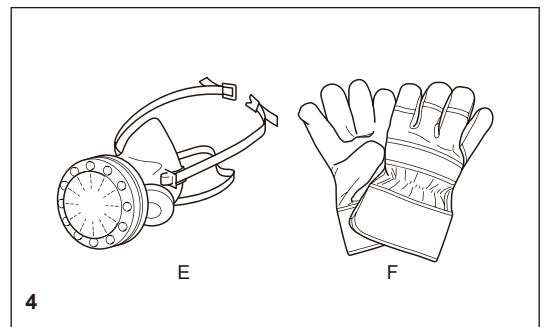
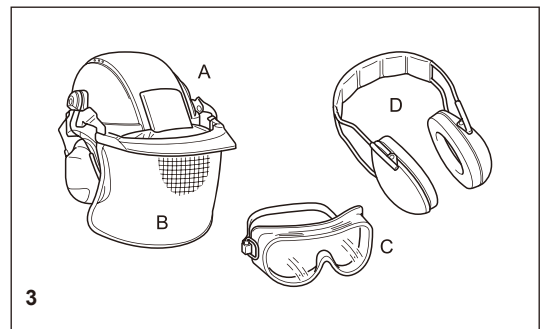
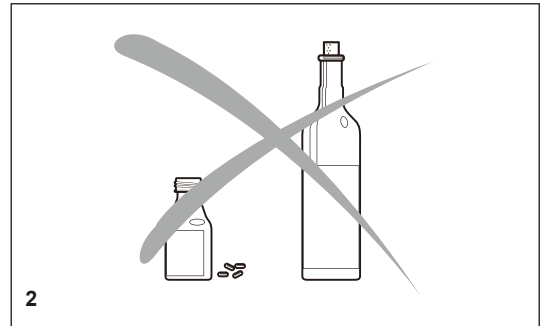
# SAFETY PRECAUTIONS

## General precautions

- The operator **MUST read this instruction manual to ensure safe operation (even if you already have experience in using cutoff saws)**. It is important to be familiar with the operation of this particular cutoff saw. Users insufficiently informed will endanger themselves as well as others due to improper handling.
- Let only persons who have experience in using cutoff saws work with this unit. When letting another person use the Power Cutter, this instruction manual must be provided along with it.
- First-time operators should ask a specialist to instruct them in working with gasoline-powered cutoff saws.
- Children and persons under 18 years of age must not be allowed to use this Power Cutter. Persons over the age of 16 years may, however, use the Power Cutter for the purpose of being trained as long as they are under the supervision of a qualified trainer.
- Working with the Power Cutter requires high concentration.
- Operate the Power Cutter only if you are in good physical condition. If you are tired, your attention will be reduced. Be especially careful at the end of a working day. Perform all work calmly and carefully. The user has to accept liability for others.
- Never work while under the influence of alcohol, drugs, medication or other substances which may impair vision, dexterity or judgement.
- A fire extinguisher must be available in the immediate vicinity.
- Asbestos and other materials that can release toxins may be cut only with the necessary safety precautions and after notification of the proper authorities and under their supervision or that of a person appointed by them.

## Protective equipment

- In order to avoid head, eye, hand or foot injuries as well as to protect your hearing the following protective equipment must be used during operation of the Power Cutter:
- The kind of clothing should be appropriate, i. e. it should be tight-fitting but not be a hindrance. Clothing in which grains of material can accumulate (trousers with cuffs, jackets and trousers with wide-open pockets, etc.) must not be worn, particularly when cutting metal.
- Do not wear any jewellery or clothing that can get caught or distract from the operation of the Power Cutter.
- It is necessary to wear a protective helmet whenever working with the Power Cutter. The **protective helmet (A)** is to be checked in regular intervals for damage and is to be replaced after 5 years at the latest. Use only approved protective helmets.
- The helmet **visor (B)** protects the face from dust and material grains. In order to prevent injuries to eyes and face, always wear **protective goggles (C)** or visor when using the Power Cutter.
- To prevent hearing damage, always wear suitable personal **hearing protection (E)** (ear muffs (D), ear plugs, etc.). Octave brand analysis upon request.
- When dry-cutting dust-producing materials such as stone or concrete, always wear approved **respiratory protection (E)**.
- **Work gloves (F)** of tough leather are part of the required work kit of the Power Cutter and must always be worn when working with the Power Cutter.





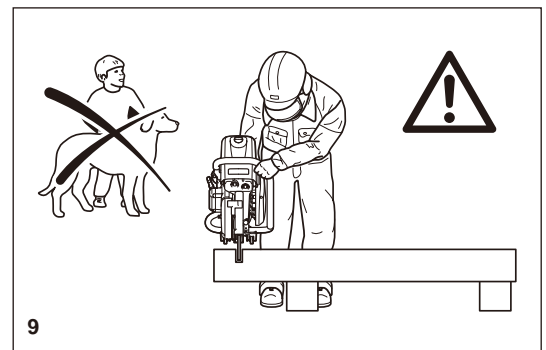
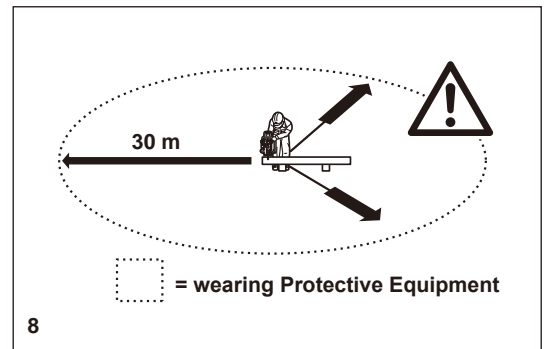
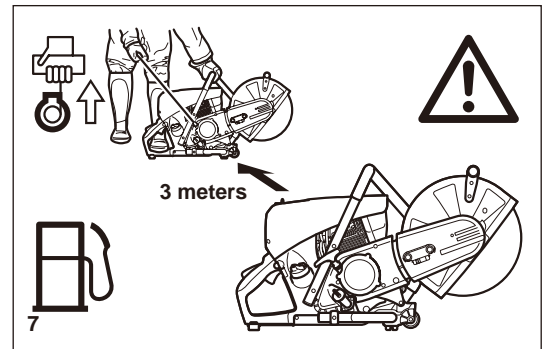
- Always wear **safety shoes or boots** (G) with steel toes, non-skid soles, and leg protectors when working with the Power Cutter. Safety shoes equipped with a protective layer provide protection against cuts and ensure a secure footing.
- Always wear a **work suit** (H) of sturdy material.

## Fuels / Refuelling

- Go to a safe, level place before refuelling. **Never refuel while on scaffolding, on heaps of material, or in similar places!**
- Switch off the engine before refuelling the Power Cutter.
- Do not smoke or work near open fires (6).
- Let the engine cool down before refuelling.
- Fuels can contain substances similar to solvents. Eyes and skin should not come in contact with mineral oil products. Always wear protective gloves when refuelling (not the regular work gloves!). Frequently clean and change protective clothes.
- Do not breathe in fuel vapors. Inhalation of fuel vapours can be hazardous to your health.
- Do not spill fuel. If a spill occurs, clean off the Power Cutter immediately. Fuel should not come in contact with clothes. If your clothes have come in contact with fuel, change them at once.
- Ensure that no fuel oozes into the soil (environmental protection). Use an appropriate base.
- Refuelling is not allowed in closed rooms. Fuel vapors will accumulate near the floor (explosion hazard).
- Ensure to firmly tighten the screw cap of the fuel tank.
- Before starting the engine, move to a location at least 3 meters (approx. 3 1/4 yards) from where you fuelled the Power Cutter (7), but not within the extended swing range of the cutting disc (direction of sparks).
- Fuel cannot be stored for an unlimited period of time. Buy only as much as will be consumed in the near future.
- Use only approved and marked containers for the transport and storage of fuel.
- **Keep fuel away from children!**

## Putting into operation

- **Do not work on your own. There must be someone around in case of an emergency (within shouting distance).**
- Observe all anti-noise regulations when working in residential areas.
- **Never use the Power Cutter near inflammable materials or explosive gases! The Power Cutter can create sparks leading to fire or explosion!**
- Make sure that all persons within 30 meters (33 yards), such as other workers, are wearing protective gear (see "Protective equipment") (8). Children and other unauthorized persons must remain more than 30 meters away from the working area. Keep an eye out for animals as well (9).
- **Before starting work the Power Cutter must be checked for perfect function and operating safety according to the prescriptions.**  
In particular, make sure that the cutting wheel is in good condition (replace immediately if torn, damaged or bent), the cutting wheel is properly mounted, the protection hood is locked in place, the hand guard is properly mounted, the V-belt has the proper tension, the throttle moves easily and the grips are clean and dry, and the combination switch functions properly.
- Start the Power Cutter only after complete assembly and inspection. Never use the Power Cutter when it is not completely assembled.



## Cutoff discs

- **The protection hood must always be on! Change discs only with the engine off!**
- There are two basic types of cutoff discs:
  - For metal (hot cutting)
  - For masonry (cold cutting)

### NOTE:

When using diamond cutoff discs, always make sure to observe the "direction of rotation" markings. Diamond discs should only be used for cutting masonry/brick/concrete etc.

- Cutoff discs are intended only for radial loading, i.e. for cutting.  
Do not grind with the sides of the cutting disc! This will break the disc (10)!

### ⚠ CAUTION:

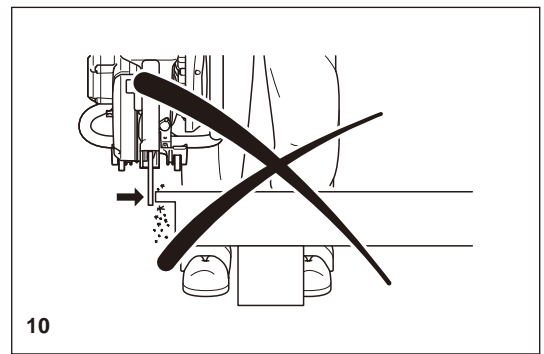
**Never change direction (turning radius less than 5 meters / 5 1/2 yards), exert lateral (sideways) pressure, or tip the Power Cutter during cutting (11)!**

- Use a cutting disc only for cutting the materials it is intended for. The proper type of disc must be used, for either metals or masonry.
- The arbour hole (bore) of the cutting disc must fit the shaft exactly. If the arbour hole is larger than the shaft diameter, a spacer ring must be used (accessories).
- Use only cutting wheels approved by the DSA (German Abrasive Disc Committee) or equivalent organisation for freehand cutting at up to 4,370 RPM (= 80 m/sec. at circumference) for 14"/355 mm discs, or up to 5,100 RPM (= 80 m/sec. at circumference) for 12"/300 mm discs.
- The disc must be free of defects (12). Do not use defective cutting discs.

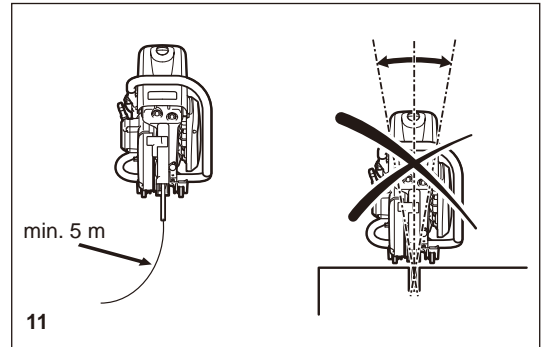
**Always tighten the cutting disc mounting bolt to a torque of 30 Nm.**

**Otherwise, the cutting disc can twist.**

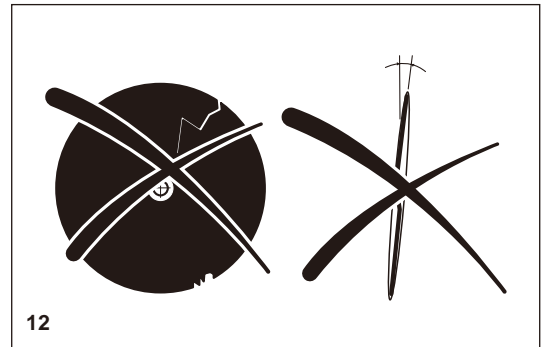
- Before starting the cutting disc, make sure you have a steady footing.
- Put the Power Cutter into operation only as described in this instruction manual (13). Always place your left foot in the rear handle and grasp the other handle firmly (with thumb and fingers). Other starting methods are not allowed.
- When starting the Power Cutter it must be well supported and securely held. The cutting disc must not be touching anything.
- If the cutting disc is new, test it by running it at least 60 seconds at top speed. When doing this, make sure that no persons or body parts are in the extended swing range of the disc, in case it is defective and flies apart.
- **When working with the Power Cutter always hold it with both hands.** Take the back handle with the right hand and the tubular handle with the left hand. Hold the handles tightly with your thumbs facing your fingers.
- **CAUTION: When you release the throttle lever the disc will keep spinning for a short period of time** (free-wheeling effect).
- Continuously ensure that you have a safe footing.
- Hold the Power Cutter such that you will not breathe in the exhaust gas. Do not work in closed rooms or in deep holes or ditches (danger of poisoning by fumes).
- **Switch off the Power Cutter immediately if you observe any changes in its operating behavior.**
- **Switch off the engine before inspecting the V-belt tension or tightening it, replacing the cutting wheel, repositioning the cutter attachment** (side or middle position) **or eliminating faults** (14).
- Turn off the engine immediately and check the disc if you hear or feel any change in cutting behaviour.
- Turn off the Power Cutter when taking a break or stopping work (14). Place the unit in such a way that the disc is not touching anything and cannot endanger anyone.
- Do not put the overheated Power Cutter in dry grass or on any inflammable objects. The muffler is very hot (danger of fire).
- **IMPORTANT:** After wet cutting, first turn off the water feed and then let the disc run at least 30 seconds, to fling off the remaining water and prevent corrosion.



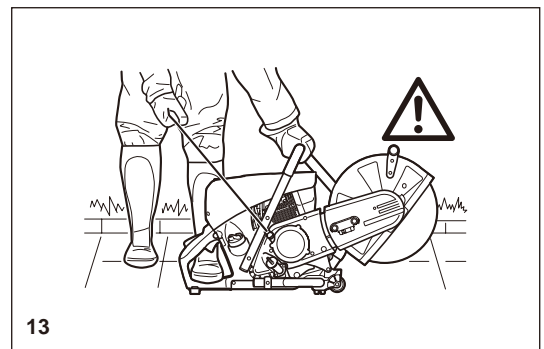
10



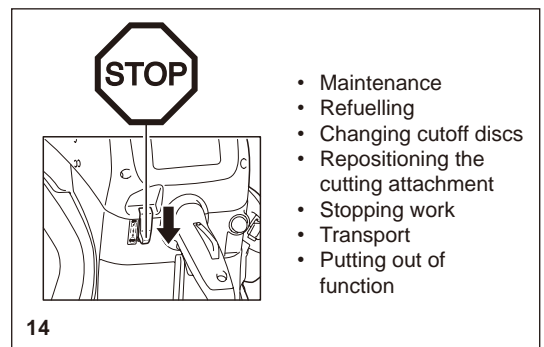
11



12



13



14

## Kickback and lock-in

- When working with the Power Cutter there is a danger of kickback and lock-in.
- Kickback occurs when the top of the cutting disc is used for cutting (15).
- This causes the Power Cutter to be thrown back toward the user with great force and out of control. **Risk of injury!**

**To prevent kickback, observe the following:**

- Never cut with the section of the cutting disc shown in figure 15.  
**Be especially careful when reinserting the disc into cuts that have already been started!**

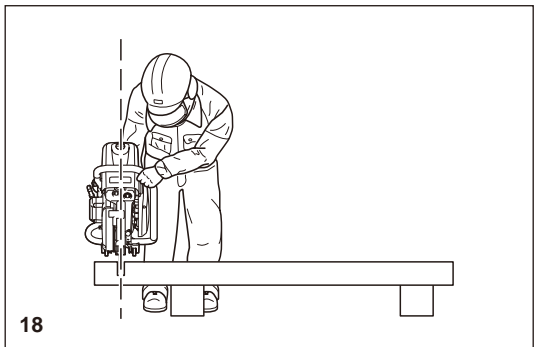
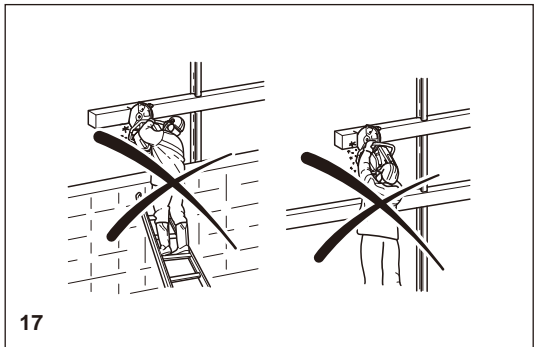
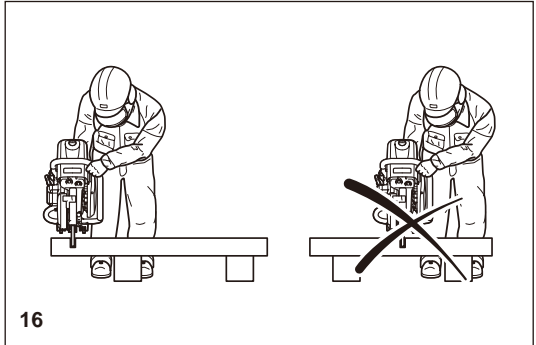
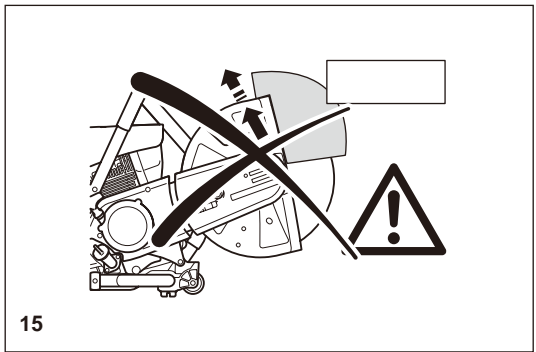
- Lock-in occurs when the cut narrows (crack, or workpiece under stress).
- This causes the Power Cutter to suddenly jump forward, out of control and with great force. **Risk of injury!**

**To prevent lock-in, observe the following:**

- When reinserting the disc into previous cuts, have the Power Cutter running at top speed. Always cut at top speed.
- Always support the workpiece so that the cut is under tension (16), so that the cut does not press together and jam the cutting disc as it proceeds through the material.
- When starting a cut, apply the disc to the workpiece with care.  
Do not just shove it into the material.
- Never cut more than one piece at a time! When cutting, make sure that no other workpiece comes into contact.

## Working behavior / Method of working

- Before starting work, check the work area for any hazards (electrical wires, inflammable substances). Clearly mark the work area (for example with warning signs or by cordoning off the area).
- When working with the Power Cutter hold it firmly by the front and rear handles. Never leave the Power Cutter unattended!
- Whenever possible run the Power Cutter at the rated arbour speed (see "Technical data").
- Only use the Power Cutter during good light and visibility periods.  
Be aware of slippery or wet areas, and of ice and snow (risk of slipping).
- Never work on unstable surfaces. Make sure that there are no obstacles in the working area, risk of stumbling. Always ensure that you have a safe footing.
- Never cut above your shoulder height (17).
- Never stand on a ladder to cut (17).
- Never use the Power Cutter while standing on scaffolding.
- Do not lean over too far when working. When putting down and picking up the Power Cutter, do not bend over from the waist, but instead bend in the knees. Save your back!
- Guide the Power Cutter in such a way that no part of your body is within the extended swing range of the disc (18).
- Use cutting discs only for the materials for which they are designed!
- Do not use the Power Cutter to lift up and shovel away pieces of material and other objects.  
**Important!** Before cutting, remove all foreign objects, such as rocks, gravel, nails etc. from the cutting area. Otherwise, such objects can be flung away by the disc with great speed. **Injury hazard!**
- When cutting workpieces down to length use a firm support. If necessary, secure the workpiece from slipping, but do not steady it with your foot or allow another person to hold it.
- When cutting round items, always secure them against rotation.
- When guiding the Power Cutter by hand, use the side mounting position of the cutter attachment only when actually necessary.  
Otherwise, always use the central position. This gives the unit a better balance, for reduced operator fatigue.



## Cutting metals

### ⚠ IMPORTANT!

Always wear approved respiratory protection!

Materials that can release toxic substances may be cut only after notifying the proper authorities and under their supervision or that of a person appointed by them.

### ⚠ CAUTION:

The rapid rotation of the cutting disc heats metal and melts it at the point of contact. Swing the guard as far down as possible behind the cut (19) in order to direct the stream of sparks forward, away from the operator (fire hazard).

- Determine the direction of cutting, mark the cut and apply the disc to the material at moderate speed, to cut a guide groove before going to top speed and applying more pressure to the Power Cutter.
- Keep the disc straight and vertical. Do not tip it, as this can break it.
- The best way to get a good, clean cut is to pull or move the Power Cutter back and forth. Do not simply press the disc into the material.
- Thick round stock is best cut in stages (20).
- Thin tubing and pipes can be cut with a simple downward cut.
- Cut large-diameter pipes as for round stock. To prevent tipping and for better control, do not let the disc sink too deeply into the material. Instead, always cut shallow around the whole piece.
- Worn discs have a smaller diameter than new discs, so that at the same engine speed they have a lower effective circumferential speed and therefore do not cut as well.
- Cut I-beams and L-bars in steps; see Figure 21.
- Cut bands and plates like pipes: along the wide side with a long cut.
- When cutting material under stress (supported material or material in structures), always make a notch in the thrust (pressure) side, and then cut from the tension side, so that the disc does not lock in. **Secure cutoff material from falling!**

### ⚠ CAUTION:

If there is a chance that the material is under stress, be prepared for it to kick back. Make sure you can get out of the way if you have to! Be particularly careful in scrap-metal yards, junkyards, at accident sites, and with haphazard piles of material. Precariously balanced pieces or pieces under stress can act in unpredictable ways, and may slide, jump out, or burst. **Secure cutoff material from falling!** Always exercise extreme caution and use only equipment that is in perfect working order. Observe the accident-prevention rules and regulations of your employer and/or insurance organization.

## Cutting masonry and concrete

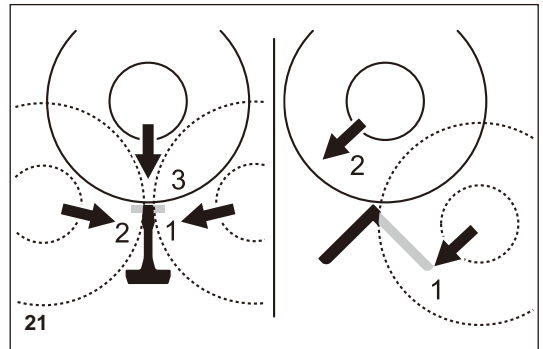
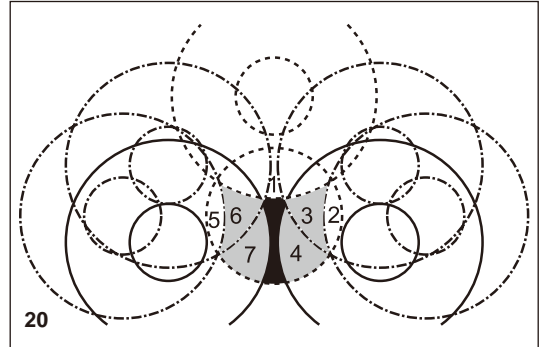
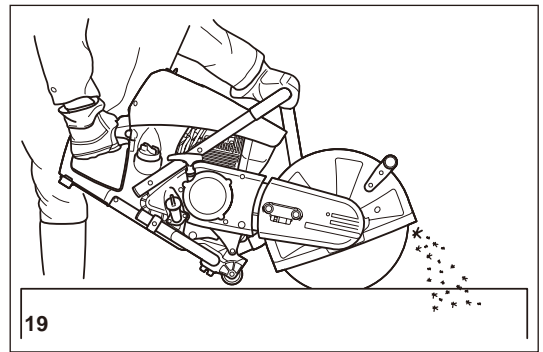
### IMPORTANT!

Always wear approved respiratory protection!

Asbestos and other materials that can release toxic substances may be cut only after notifying the proper authorities and under their supervision or that of a person appointed by them. When cutting prestressed and reinforced concrete piles, follow the instructions and standards of the responsible authorities or the builder of the structural member. Reinforcement rods must be cut in the prescribed sequence and in accordance with applicable safety regulations.

### NOTE:

Mortar, stone, and concrete develop large quantities of dust during cutting. To increase the lifetime of the cutting disc (by cooling), to improve visibility, and to avoid excessive dust creation, we strongly recommend wet cutting instead of dry cutting.



In wet cutting, the disc is wetted at an equal rate on both sides by a trickle of water. MAKITA offers the right accessories for all wet cutting applications (see also "SPECIAL ACCESSORIES").

- Remove foreign objects such as sand, stones and nails found within the working area. **CAUTION: Watch out for electric wires and cables!**

**The rapid rotation of the cutting disc at the point of contact throws fragments out of the cut groove at high speed. For your safety, swing the protection hood down as far as possible behind the cut (23), so that material fragments are thrown forward, away from the operator.**

- Mark the cut, and then make a groove about 5 mm (just under 1/5") along the entire length of the planned cut. This groove will then guide the Power Cutter accurately guring the actual cutoff.

#### NOTE:

For long, straight cuts we recommend using a trolley (24, see also "SPECIAL ACCESSORIES"). This makes it much easier to guide the unit straight.

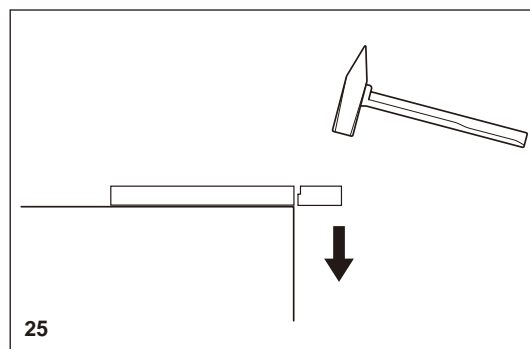
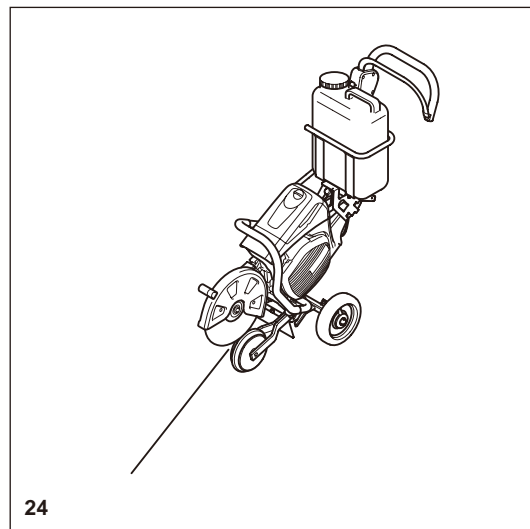
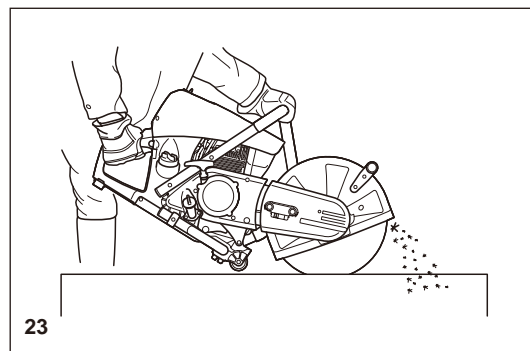
- Perform the cut with a steady back-and-forth motion.
- When cutting slabs to size, you need not cut through the entire material thickness (creating unnecessary dust). Instead, simply make a shallow groove, and then knock off the excess material cleanly on a flat surface (25).

#### CAREFUL!

When cutting into lengths, cutting through material, making cutouts, etc., always make sure to plan the direction and sequence of cuts in such a way that the disc does not get jammed by the cut-off piece, and that no persons can be injured by falling pieces.

#### Transport and storage

- **Always turn off the Power Cutter when transporting it or moving it from place to place on a site (26).**
- **Never carry or move the unit with the engine on or the disc moving!**
- Carry the unit only by the tubular (middle) handle with the cutting disc pointing behind you (26). Avoid touching the exhaust muffler (burn hazard!)
- When moving the Power Cutter over longer distances, use a wheelbarrow or wagon.
- When transporting the Power Cutter in a vehicle, make sure it is securely positioned in such a way that no fuel can leak out. Always remove the cutting disc before transporting the unit in a vehicle.
- The Power Cutter should be stored safely in a dry place. It must not be left outdoors! Always dismount the cutting disc before storage. Keep the Power Cutter away from children.
- **Before long-term storage and before shipping the Power Cutter, follow the instructions in the chapter on "Storage". ALWAYS empty the fuel tank and run the carburetor dry.**
- When putting cutting discs in storage, be careful to:
  - Clean and dry them well.
  - Store them lying down flat.
  - Avoid dampness, freezing temperatures, direct sunshine, high temperatures and temperature fluctuations, as these can cause breakage and splintering.
- **Always check new cutting discs or cutting discs that have been in storage to make sure that they are free of defects.**



## Maintenance

- **Before performing maintenance work switch off the Power Cutter (27) and pull out the plug cap.**
  - Always check the Power Cutter before using it to make sure that it is in good working order. In particular, make sure that the cutting disc is properly mounted. Make sure that the cutting wheel is undamaged and suitable for the job it will be used for.
  - Operate the Power Cutter only at a low noise and emission level. For this ensure the carburetor is adjusted correctly.
  - Clean the Power Cutter regularly.
  - Check the fuel tank cap regularly for good sealing.
- Observe the accident prevention instructions issued by trade associations and insurance companies. NEVER make any modifications to the Power Cutter! You will only be putting your own safety at risk!**
- Perform only the maintenance and repair works described in the instruction manual. All other work must be carried out by MAKITA Service (28). Use only original MAKITA spares and accessories.
- The use of non-MAKITA spares, accessories, or cutting discs increases the risk of accident. We cannot accept any responsibility for accidents or damage occurring in association with the use of cutting discs or accessories other than original MAKITA.

27



28



SERVICE

## First aid (29)

Make sure that a first aid kit is always immediately available close by. Immediately replace any items used from the first aid box.

**When calling for help, give the following information:**

- Place of the accident
- What happened
- Number of injured people
- Kind of injuries
- Your name!

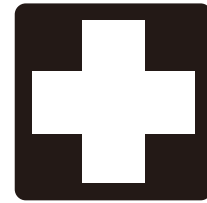
### NOTE:

Individuals with poor circulation who are exposed to excessive vibration may experience injury to blood vessels or the nervous system.

Vibration may cause the following symptoms to occur in the fingers, hands or wrists: "Falling asleep" (numbness), tingling, pain, stabbing sensation, alteration of skin colour or of the skin.

**If any of these symptoms occur, see a physician!**

29





## Technical data

Item		Model	EK7650H		EK7651H/EK7651HG	
Engine	Displacement	cm <sup>3</sup>	75.6			
	Bore	mm	51			
	Stroke	mm	37			
	Max. power	kW	3.0			
	Max. torque	Nm	4.6			
	Idling speed	min <sup>-1</sup>	2,600			
	Clutch		Auto centrifugal system			
	Engine speed limitation	min <sup>-1</sup>	9,100			
	Max. spindle speed	min <sup>-1</sup>	4,300			
	Carburetor		Diaphragm type			
	Ignition system (with speed limitation)		Non-contact, magnet type			
	Spark plug	Type	NGK CMR6H			
	Electrode gap	mm	0.5			
	Starting system		Recoil system			
	Fuel consumption at max. load per ISO 8893	kg/h	1.2			
	Specific consumption at max. load per ISO 8893	g/kWh	400			
	Fuel		Automobile gasoline (petrol)			
	Fuel tank capacity	l	1.1			
Lubricant (engine oil)		API grade SF class or higher SAE 10W-30 oil (automobile 4-stroke engine oil)				
Lubricant quantity	l	0.22				
Cutting disc for 80 m/sec. or higher <sup>1)</sup> (DSA approved):	mm dimensions	300 / 20 / 5 <sup>2)</sup>	300 / 25.4 / 5 <sup>2)</sup>	350 / 20 / 5 <sup>2)</sup>	350 / 25.4 / 5 <sup>2)</sup>	
Arbor diameter	mm	20.0	25.4	20.0	25.4	
Spindle diameter	mm	17		17 or 25.4 <sup>3)</sup>		
Minimum flange outside diameter	mm	102				
Max. cutting depth	mm	97		122		
Power Cutter Dimensions (overall length x overall width x overall height)		761 mm x 310 mm x 435 mm		780 mm x 310 mm x 455 mm		
V-belt no.	no.	225094-6				
Overall weight (tanks empty, without cutting disc)	kg	12.7		12.9		

1) Circumference speed at max. engine speed

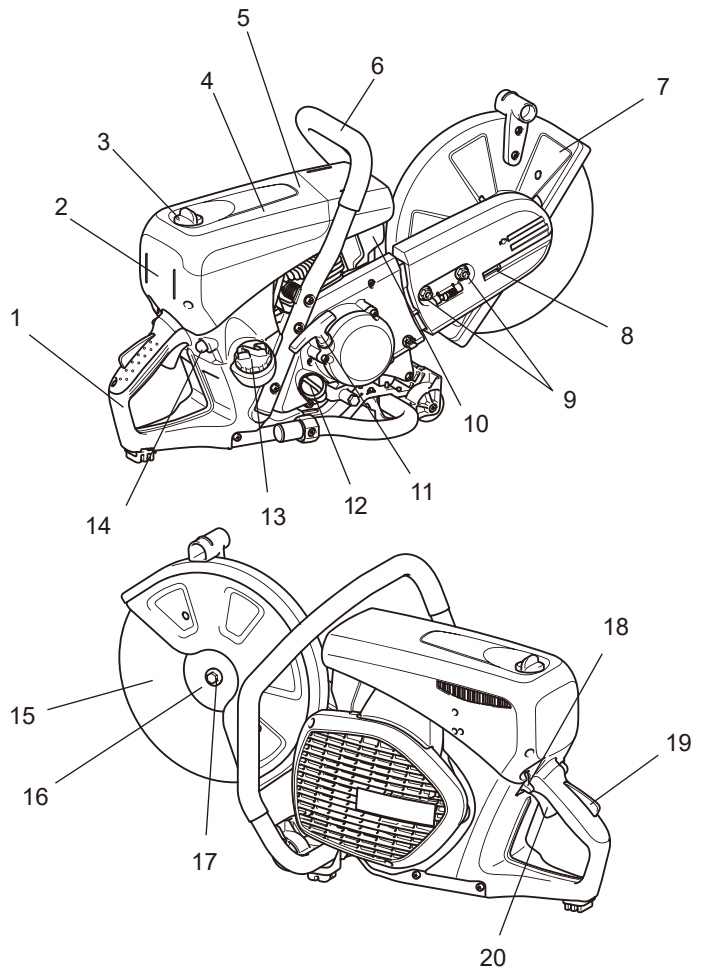
2) Outside diameter / arbor hole / thickness

3) Country specific

EK7651HG: This model adapts for use with Brazilian gasoline (E20 and E25).

## Denomination of components

1. Rear handle
2. Filter cover
3. Lock screw
4. Top cover for air filter and spark plug cap
5. Top cover
6. Front handle
7. Protection hood
8. Tensioning screw
9. Hex. nut
10. Muffler
11. Starter grip
12. Oil tank cap
13. Fuel tank cap
14. Fuel pump (Primmer)
15. Cutting disc
16. Outer flange
17. Hex bolt
18. Switch
19. Safety locking button
20. Throttle lever





## PUTTING INTO OPERATION

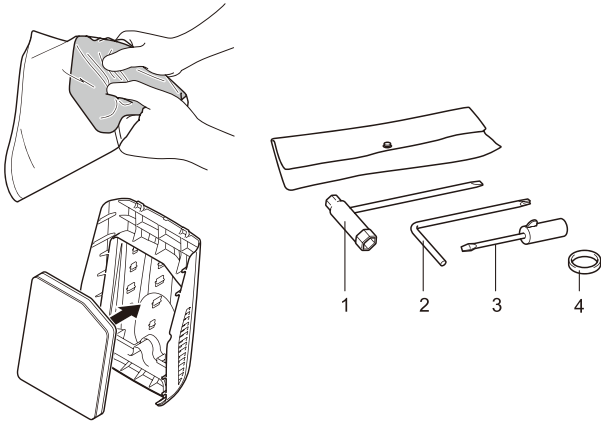


### ⚠ CAUTION:

Always turn off the engine and pull off the spark plug cap before doing any work on the Power Cutter! Always wear protective gloves!

### ⚠ CAUTION:

Start the Power Cutter only after complete assembly and inspection.



For the following work, use the assembly tools included with delivery:

1. 13/16 AF combination wrench
2. Star-shaped wrench
3. Carburetor adjustment screwdriver
4. Adapter ring

Place the Power Cutter on a stable surface and carry out the following assembly steps:

### ⚠ No air filter is installed!

Before operation, squeeze the supplied filter several times so that oil is evenly immersed in the entire filter. Insert an oiled foam filter (pre-filter), as shown in the adjacent illustration! To do this, take off the filter cover (see the chapter on Cleaning/ changing the air filter).

## Mounting the cutting disc

### ⚠ WARNING:

- When installing a diamond cutting disc, be sure to mount it so that the arrow is in the same direction as the outer flange (6) rotates. Mounting the diamond cutting disc (4) with its arrow direction opposite to that on the wheel cover may cause chipping of the disc edge and personal injury.
- When installing a cutting disc (4), always use the ring that matches the bore of the cutting disc and the diameter of the spindle (5). Failure to use rings that mate may cause tool vibration resulting in serious personal injury.
- Only use cutting discs with the bore that matches the diameter of the ring(s) provided. Using discs that do not mate may cause tool vibration resulting in serious personal injury.
- Inspect a cutting disc for damage. (see the section titled "Cutoff discs" in SAFETY PRECAUTIONS.)

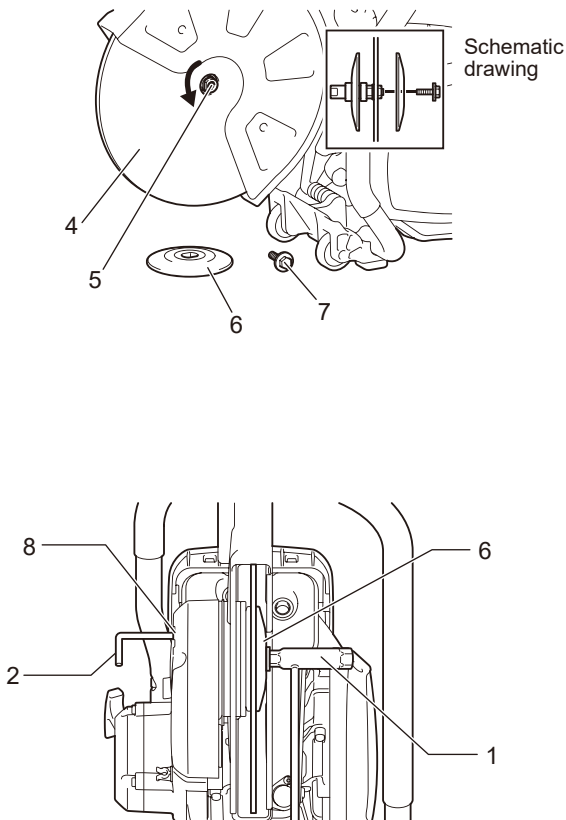
1. Insert the star-shaped wrench (2) into the hole (8) to prevent the spindle (5) from rotating.

**NOTE:** When the holder of the pressure water system is installed in the hole in the tool, remove it before mounting the cutting disc.

2. While holding on the wrench (2) in that position, use the combination wrench (1) provided and turn the bolt (7) securing the disc counterclockwise and remove the bolt (7) and outer flange (6).
3. Mount a diamond cutting disc/cut-off abrasive disc (4) on the arbor (5). And then put the outer flange (6) on the spindle so that the two parallel flat surface on the outer flange fit the spindle flat surface and firmly tighten the bolt clockwise.

To install a cutting disc, mount a ring with the same matching diameter as the disc bore and the O ring provided to retain the ring on the spindle before installing a diamond cutting disc. And then install the cutting disc.

**NOTE:** Tighten the hex bolt firmly (25 - 31 Nm), as otherwise the cutting wheel may slip during cutting.



## Tightening the V-belt / Checking V-belt tension

### IMPORTANT:

Exact V-belt tension is essential for maximum cutting performance with minimum fuel consumption. Improper V-belt tension will result in premature wear to the V-belt and V-belt wheel or damage to the clutch bearing.



**NOTE:** The two hex. nut (9) must be loosened before tightening the V-belt or checking the tension.

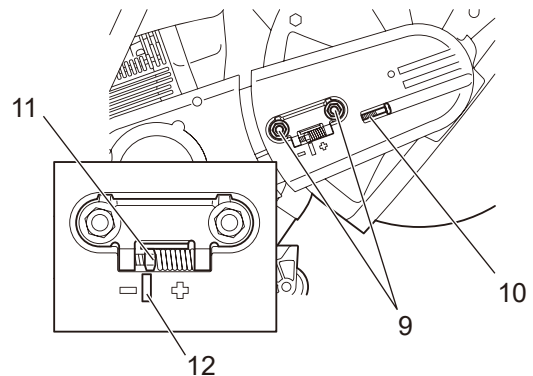
To increase the belt tension, turn the tension screw (10) to the right (clockwise) with the combination wrench included with the Power Cutter.

The belt tension is correctly adjusted when the nut (11) is located as shown in the figure compared to the position of the mark (12).



### IMPORTANT:

- After tightening/inspection, make certain to tighten the hex. nut (9) (25 - 31 Nm).
- Do not adjust the belt tension while the machine is hot. There is a risk of burn injury.



## Before operating

### 1. Checking/replenishing engine oil

- With the engine in a cool state, check/replenish engine oil in the following way.
- Position engine on a flat level, and check to see whether oil is within the range of MAX and MIN of the oil tank.
- If oil is insufficient (near the MIN mark of the oil tank), fill the oil tank with oil to the MAX mark.
- Oil quantity can be checked externally without removing the oil cap as the oil level can be seen at the external, see-through, measuring mark window.
- For reference, oil needs to be replenished every ten operating hours (one tank of oil for ten fuel refuels).
- Replace extremely dirty or discolored oil.

<Recommended oil> ..... Use API grade SF class or higher SAE 10W-30 oil (automobile 4-stroke engine oil).

<Oil quantity> ..... 0.22 L (220 mL)

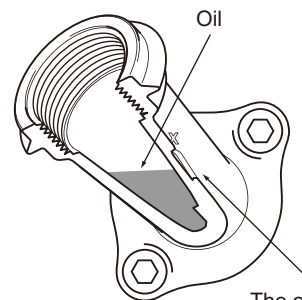
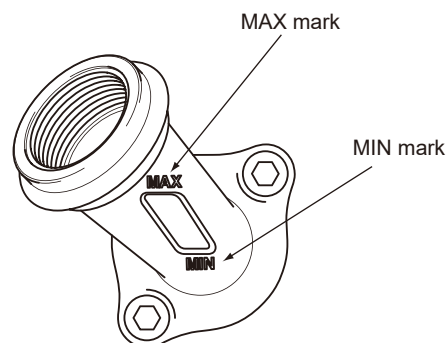
### NOTE:

- If the engine is not stored in the upright position, oil will circulate through the engine, which will mean that there will be excessive oil in the Power Cutter when replenishing.
- If oil exceeds the MAX mark, it may leak out causing dirtying or white smoke.

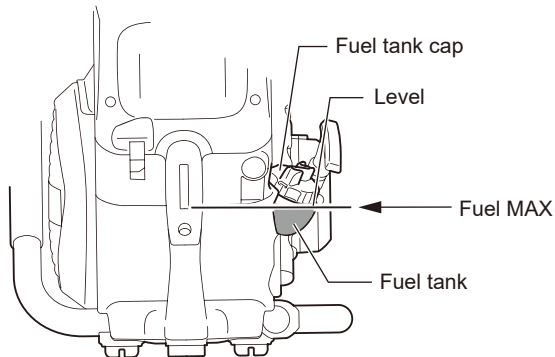
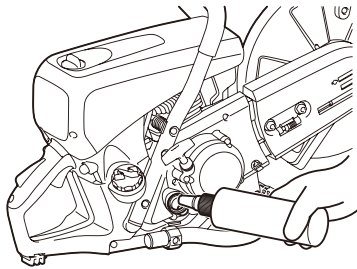
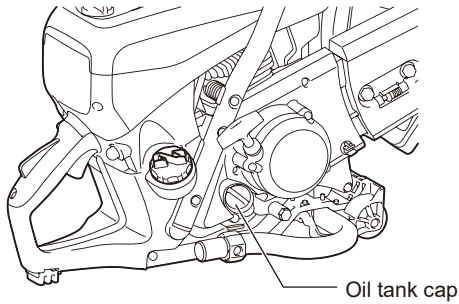
### Oil replacement Point 1 <Oil cap>

Interval of replacement: Initially, after 20 operating hours, and subsequently every 30 operating hours.

- Clean away the dirt from around oil filling neck and then remove oil cap.
- Place the oil cap on a surface where it will not pick up grit and dirt. If the cap is put back on in a dirty state, oil circulation may deteriorate and engine parts become worn, which may cause mechanical failure.



The oil is visible from here, so the MAX and MIN marks can be used to check the quantity of oil.



- (1) Place engine on the level and remove oil cap.
- (2) Replenish oil to the base of the oil filling neck.  
When replenishing oil, use a proper lubricant container for refilling.
- (3) Firmly tighten oil cap. If oil cap is loose, oil may leak out.

#### Oil replacement Point 2 <What to do if oil is spilled>

If oil is spilled between fuel tank and engine, and the Power Cutter operated, oil will be sucked in via the cold air intake, which may cause dirtying. Always wipe off spilt oil before using the power cutter.

#### 2. Refueling

##### ⚠ WARNING:

- **Always observe the following items when refueling. Failure to do so may cause flames or fire.**

- Refuel away from flames. In addition, never smoke or bring any form of flame near to fuel or power cutter during refueling.
- Stop the engine and let it cool down before refueling.
- Always open fuel tank cap slowly to release internal pressure in a controlled manner. Failure to do so may cause fuel to spray out because of internal pressure.
- Be careful not to spill fuel. If fuel is spilt, fully wipe away fuel.
- Refuel in a well-ventilated location.
- **Always handle fuel with full care.**
  - If fuel comes into contact with skin and/or eyes, it may cause an allergic reaction and/or inflammation. In cases of such allergic reactions and/or inflammation, etc., seek medical advice from a specialist doctor immediately.

#### <Fuel storage period>

As a rule, fuel held in a proper fuel container, in a shaded location, with good ventilation, should be used up within four weeks. If a proper fuel container is not used and/or the cap is left off, etc., and the season is summer, fuel may deteriorate in one day.

#### Storing the Power Cutter and fuel container

- Store Power Cutter and fuel container away from direct sunlight in a cool location.
- Do not leave fuelled up Power Cutter or fuel container in automobile or automobile trunk (boot).

#### <Fuel>

The engine is a four-stroke engine, so use automobile gasoline (regular gasoline/petrol) to run the engine.  
EK7651HG: This model adapts for use with Brazilian gasoline (E20 and E25).

#### Fuel points

- Do not use a gasoline mixture (engine oil mixed with gasoline). Doing so may cause carbon build up and mechanical failure.
- The use of old fuel may cause poor engine startup.

#### <Refueling>

Always stop the engine and let it cool down before refueling.

#### <Usable Gasoline> ..... Automobile gasoline (petrol)

- Slightly loosen the fuel tank cap to release pressure and thus equalize external and internal air pressure.
- Remove fuel tank cap and refuel. (Do not fill to the top of the tank neck.)
- After refueling, firmly tighten on fuel tank cap.
- The fuel tank cap is a consumable product. Therefore, if it shows wear or other abnormalities, replace it. (Rough guide to replacement is once every two or three years.)

# Operating

## Starting

### ⚠ WARNING:

Do not start the engine in locations where refueling has taken place. Move at least three meters away from the place where the Power Cutter was fuelled.

- Failure to do so may cause flames or fire.


### ⚠ CAUTION:

Before starting engine, be sure to check that the cutting disc is not touching the ground or any other obstacle.

- If the cutting disc is touching the ground or other obstacle, it may cause an accident.

As soon as the engine starts, the cutting disc will rotate, so be fully aware of nearby people and obstacles.

### 1. Cold-starting

- (1) Repeatedly press primer pump until fuel enters it.
- (2) Flip switch in direction of  (choke).
- (3) Hold down rear handle with a foot and firmly hold down tubular handle with a hand.
- (4) Vigorously pull the start handle repeatedly until the first firing up sound is heard.

### Warming up

- Once engine starts, hold down safety lever, and squeeze and release throttle repeatedly for one or two minutes to warm up the engine.
- Once engine speed stabilizes and it revs smoothly from low to high speed, warming up is complete.


### 2. Starting up when engine is warm


Press the primer pump several times. From the outset, place the switch in the [I] (operating) position, and start the engine using task (3) of procedure 1 above.

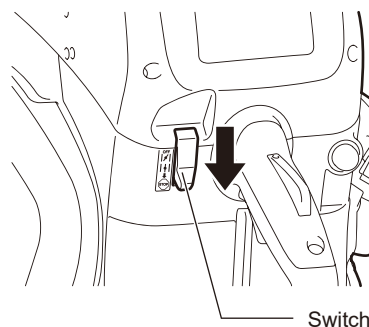
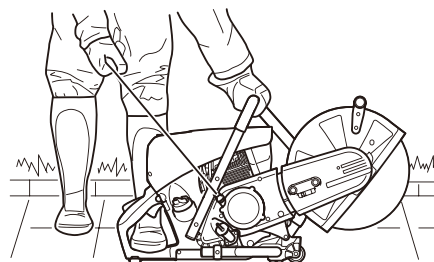
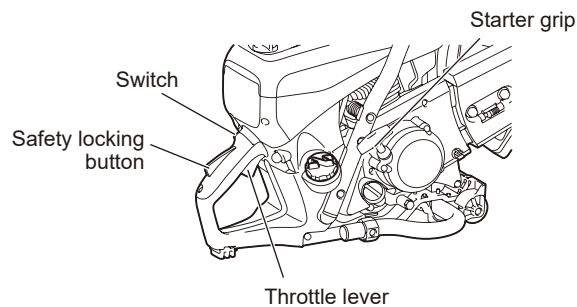
### NOTE:

- Repeatedly pulling and releasing the starter grip with the switch set to choke will flood the engine with fuel, making start up difficult.
- When the engine stops, never squeeze the throttle lever. Unnecessarily squeezing the throttle lever with the engine stopping will flood the engine with fuel, making start up difficult.
- If the engine does become flooded with fuel, remove the spark plug, and slowly pull the starter handle several times to remove the excess fuel. Also, dry the electrode section of the spark plug.
- Do not pull starter handle to the limit of the rope, as doing so shortens the lifespan of the rope. Furthermore, gently return the starter handle without suddenly letting go of it.
- Avoid letting the Power Cutter run at maximum idling speed, as doing so will shorten the lifespan of the engine.

### 3. Stopping

To stop the engine, release the throttle, and set the switch to the  (Stop) position.

If the choke lever is wrongly moved to the  position to stop the tool, use half throttle to restart.



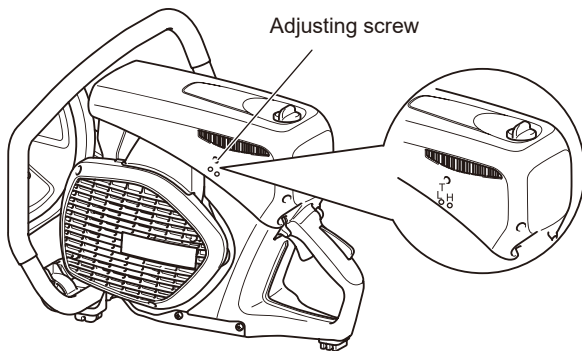
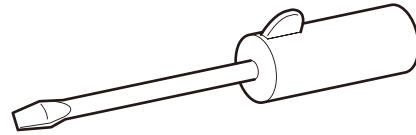
## Adjusting the carburetor



**NOTE:** This engine is equipped with an electronic ignition to limit the speed. The carburetor also has a fixed jet which cannot be adjusted.

At the factory the idling speed has been set to approx. 2,600 min<sup>-1</sup>, but the running-in process of a new engine may require slight readjustment of the idling speed.

Set the idling speed with a screwdriver (width of blade: 4 mm). A screwdriver with a molded-on lug, supplied as an optional accessory, is useful for the adjustment.



### 4. Idling adjustment

**CAUTION:** Carburetor adjustment may only be done by a specialist MAKITA service center!

Do not undertake any adjustments to adjusting screws (H) and (L) without a tachometer! Incorrect adjustment can lead to engine damage!

A tachometer is needed for adjustments to adjusting screws (H) and (L), because if the engine runs over its maximum rated speed, it can overheat and run out of lubricant. This can damage the engine!

Only adjusting screw (T) can be manipulated by the user. If the cutting disc moves in idle (i.e. without the throttle being pressed), it is imperative to correct the idle speed! Idle speed adjustment must only be undertaken when the engine is warm, with a clean air filter.

Use a screwdriver (4 mm blade) for idle adjustments.

## MAINTENANCE

### CAUTION:

- Before doing any work on the Power Cutter stop the engine and let it cool down, remove the cutting disc, pull the plug cap off the spark plug and wear protective gloves!

Carrying out maintenance directly after stopping the engine or with the plug cap on the spark plug may cause burns from hot engine or injury from inadvertent start up.

- Start the Power Cutter only after complete assembly and inspection.
- Never use gasoline, benzine, thinner, alcohol or the like. Discoloration, deformation or cracks may result.

### NOTE:

- Wipe off dirt from the Power Cutter and then select a clean workplace to carry out maintenance.





## SERVICE

### IMPORTANT:

Because many of the parts and assemblies not mentioned in this Instruction Manual are vital to the safety of the unit, and because all parts are subject to a certain amount of wear and tear, it is important for your own safety that you have the unit checked and maintained regularly by a MAKITA service center.

### IMPORTANT:



If the cutting wheel breaks during cutting, the Power Cutter must be repaired by a MAKITA service centre before being used again!

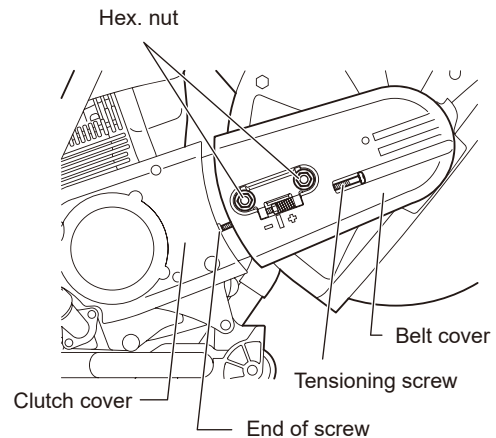
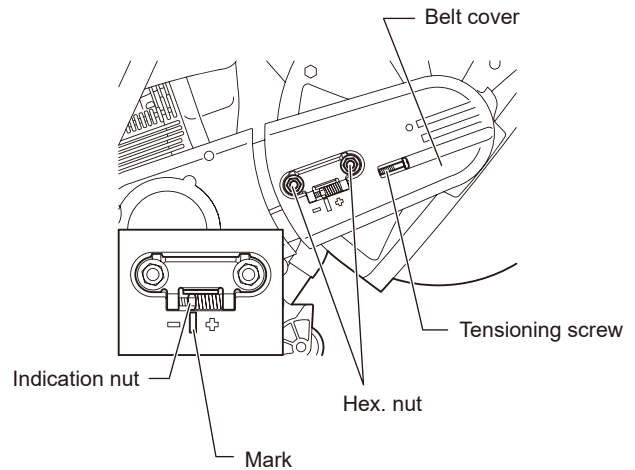
## V-belt

### 1. Adjusting V-belt tension

- If the cutting disc halts in mid operation easily, the V-belt has slackened. If this is the case, adjust tension using the following procedure.
  - (1) Loosen belt cover tightening nuts.
  - (2) Turn the tension adjustment screw to the right (clockwise) until the indicator nut reaches the marked position in order to increase the tension of the V-belt.
  - (3) Once V-belt tensioning is complete, firmly retighten the belt cover tightening nuts.
- If the cutting disc stops easily even though the tension of the V-belt has been adjusted, or the V-belt breaks, replace with a new V-belt.

### 2. Changing the V-belt

- (1) Loosen tightening nut, and turn tension adjustment screw to the left until the end of the screw is visible.
- (2) Remove tightening nuts, and then remove belt cover.
- (3) Next, remove the three mounting screws, and remove the clutch cover.
- (4) Remove the old V-belt, and fit on a new V-belt. Now, remount the clutch cover followed by belt cover.
- (5) Adjust tension as shown in the Adjusting V-belt tension section.



## Cleaning the protection hood

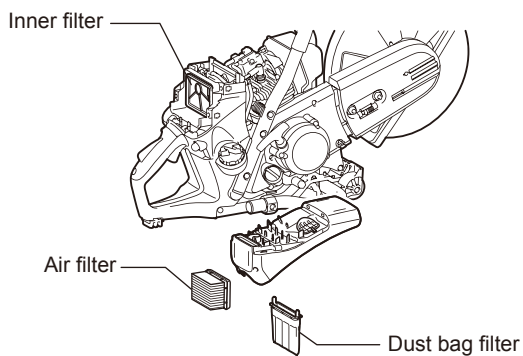
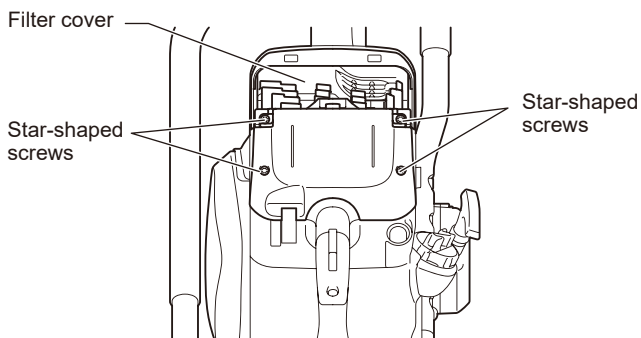
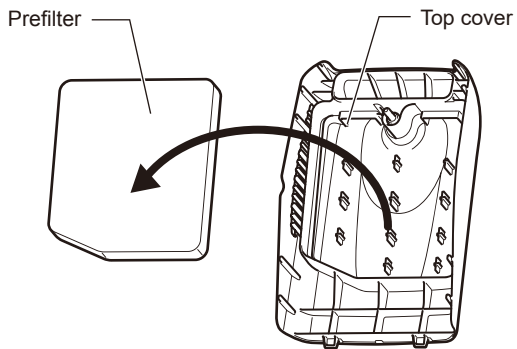
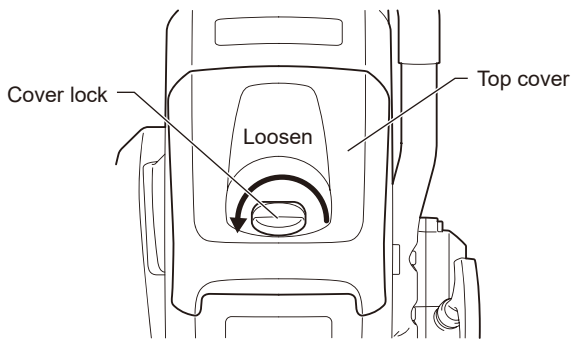
Over time, the inside of the protection hood can become caked with material residue (especially from wet cutting), which if allowed to accumulate can hinder the free rotation of the cutting disc. For this reason the hood must be cleaned out from time to time.

Take off the cutting wheel and remove the accumulated material from inside the hood with a strip of wood or similar implement. Clean the shaft and all disassembled parts with a cloth.

**NOTE:** To install the cutting wheel see “Mounting the cutting disc”.





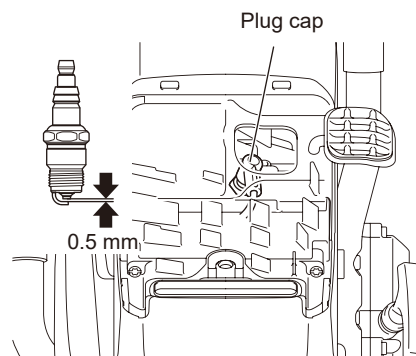
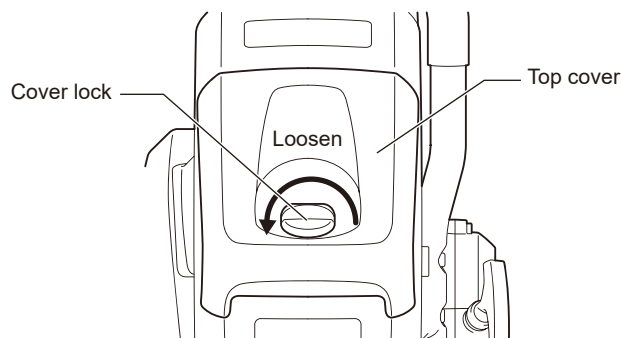


## Cleaning/changing the air filter

- If the air filter becomes clogged, it may cause poor engine performance. Therefore, every time after using the Power Cutter, be sure to clean the air filter in the following way.
- Turn the cover lock to the left and remove it.
- Remove the top cover after blowing off dust from it.
- Next, remove the prefilter.
- Remove the four star-shaped screws.
- Remove the filter cover.
- Remove the air filter.
- Remove the dust bag filter from the filter cover and gently tap and blow on it to clean.
- Gently tap and blow on the inner filter to remove dirt and dust. Also, periodically wash the inner filter in soapy water and dry thoroughly.
- To clean the air filter tap it gently. If an air compressor is to be used, blow the compressed air onto the inside of the air filter. Do not wash the air filter.
- Blow off dust from around the filters.
- Reassemble the air filter to filter cover once cleaning is finished.
- Tighten the cover lock firmly.

## Spark plug maintenance

- (1) Loosen the cover lock and remove the top cover.
- (2) Open plug cover, remove plug cap, and remove spark plug.
- (3) Check to see whether or not the electrode gap is 0.5 mm. If the gap is too big or too small, adjust it to 0.5 mm.
- (4) If carbon and/or dirt has gathered on spark plug, clean, and then remount. An excessively worn or burnt spark plug should be replaced with a new one.
- (5) After carrying out maintenance on the spark plug, remount it, attach plug cap, and then secure plug cover.



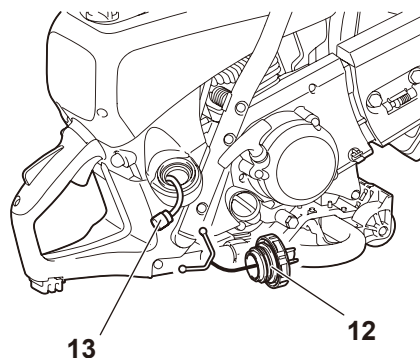
## Replacing the suction head

The fuel tank filter (13) of the suction head can become clogged. It is recommended to replace the suction head once every three months in order to ensure unimpeded fuel flow to the carburetor. Unscrew the fuel tank cap (12) and pull the loss-prevention stopper out.

Empty fuel tank.

To remove the suction head for replacement, pull it out through the tank filler neck using a piece of wire bent at one end to form a hook.

**⚠ CAUTION:** Do not allow fuel to come into contact with skin!

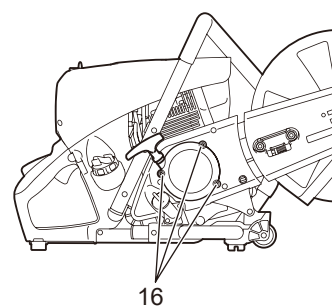
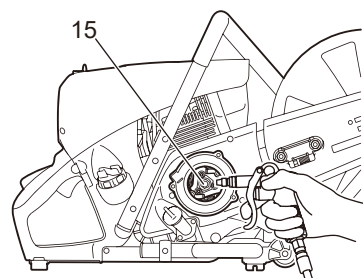
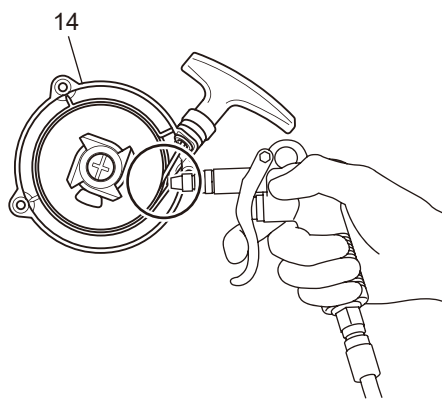




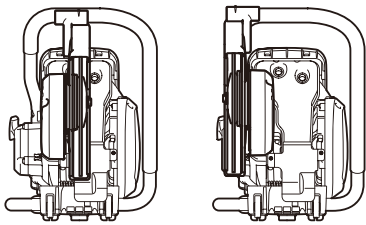
## Cleaning the starter

When the starter doesn't work well, for example the starter rope doesn't return to initial position, it is necessary to blow off dust from the starter **(14)** and the clutch **(15)**.

To clean the starter and the clutch, remove three screws **(16)** for access.



Mounting direction



A

B

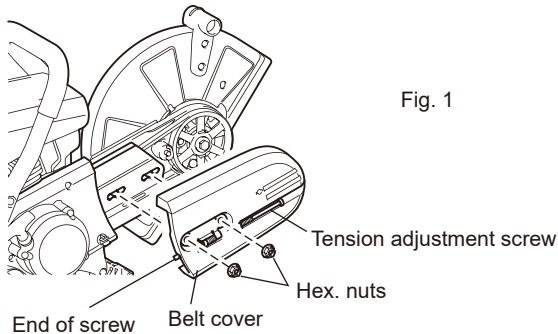


Fig. 1

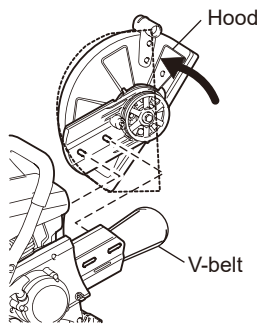


Fig. 2

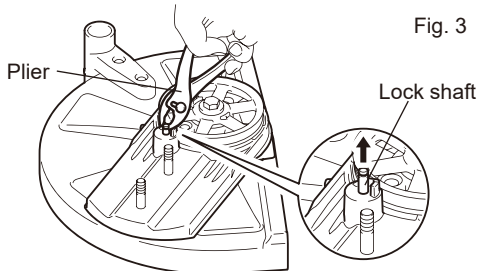


Fig. 3

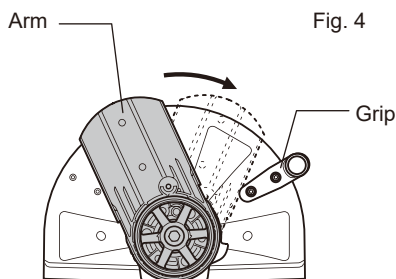


Fig. 4

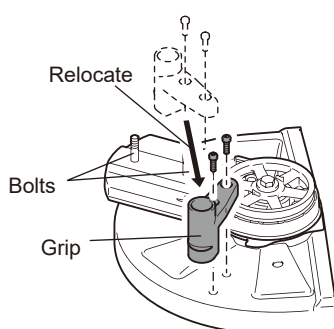


Fig. 5

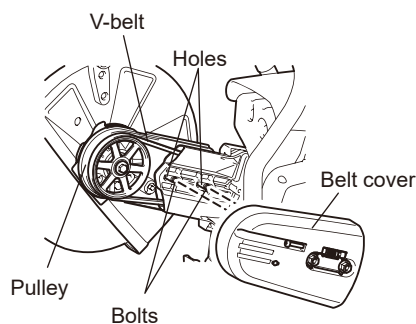


Fig. 6

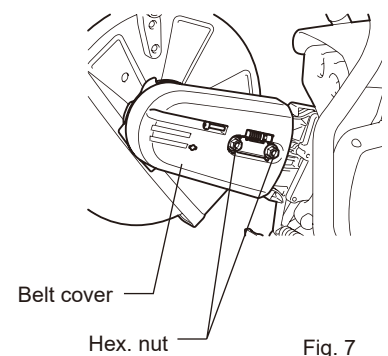


Fig. 7

## Changing the cutting attachment position (central/side)

### Mounting direction of hood

- The Power Cutter's cutting attachment is mounted in the direction shown in Fig. A. If desired, use the following procedure to mount it in the direction shown in Fig. B.

### Mounting in direction B

- (1) Loosen tightening nut, and turn tension adjustment screw to the left until the end of the screw is visible. (Fig. 1)
- (2) Remove tightening nuts and remove belt cover. (Fig. 1)
- (3) Rotate the hood to the broken line position. Remove V-belt and then remove cutting attachment from the Power Cutter. Reposition the grip. (Fig. 2)
- (4) Pick up the lock shaft with a slotted screwdriver or a plier. (Fig. 3)
- (5) Rotate the arm until it contacts the grip and return the lock shaft to the original position by hand. (Fig. 4) Reposition the grip. (Fig. 5)
- (6) Turn over the removed cutting attachment, pass bolt through hole, and remount in direction B. Remount the V-belt to the pulley. (Fig. 6)
- (7) Mount belt cover. (Fig. 7)  
Turn the tension adjustment screw to adjust the tension of the V-belt. Once tension adjustment is finished, firmly tighten the tightening nut.

## SPECIAL ACCESSORIES

### Diamond cutting discs

MAKITA diamond cutting discs meet the highest demands in working safety, ease of operation, and economical cutting performance. They can be used for cutting all materials **except metal**.

The high durability of the diamond grains ensures low wear and thereby a very long service life with almost no change in disc diameter over the lifetime of the disc. This gives consistent cutting performance and thus high economy. The outstanding cutting qualities of the discs make cutting easier.

The metal disc plates give highly concentric running for minimal vibration during use.

The use of diamond cutting discs reduces cutting time significantly. This in turn leads to lower operating costs (fuel consumption, wear on parts, repairs, and last but not least environmental damage).

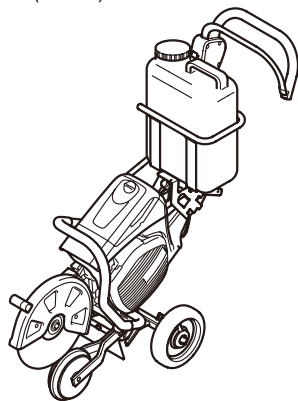
### Guide trolley

The MAKITA guide trolley makes it much easier to do straight cuts, while simultaneously enabling almost untiring working. It can be adjusted for the operator's height, and can be operated with the cutting attachment mounted in the middle or on the side.

A depth limiter can be added for still easier and more accurate cutting. It makes it possible to maintain a precise predetermined cut depth.

To keep down dust and for better cutting-disc cooling, MAKITA offers several options for wetting the disc during operation.

- Trolley set  
This is useful for road bed cutting
- Filter set  
Prefilter (5 filters)  
Air filter (1 filter)  
Dust bag filter (1 filter)



### Water tank (the component of trolley)

The water tank is designed to be mounted on the guide trolley. Its high capacity makes it especially suitable for situations involving frequent site changes. For filling or for fast changing to reserve tanks, the tank can be simply lifted off the trolley.

The water tank comes with all necessary connections and hoses. Mounting to the trolley and Power Cutter are very fast and simple.

### Mains/pressure water system

The mains/pressure water system is designed to be mounted on the Power Cutter. It can be used with or without the trolley, but is especially suitable for applications involving hand-held, stationary cutting. The water line has a fast-release connection, and can be fed either from a mains supply or from a pressure tank (7).

The water system comes with all necessary connections and lines. It can be quickly and easily mounted on the Power Cutter.

## Maintenance chart

Item	Inspecting	Regularity
Engine oil	Inspection/clean	Before commencing work
	Replace	Initially, after 20 operating hours, and subsequently every 30 operating hours
Wheel, tightening bolt, hood	Visual inspection	Before commencing work
Throttle system	Functional check	Before commencing work
Air filter	Gently tap or replace.	Monthly (every 50 operating hours)
Dust bag filter	Clean or replace.	Weekly (every 20 operating hours)
Prefilter	Rinse off coarse dirt in running water or replace, and apply oil.	Daily (every 8 operating hours)
Spark plug	Visual check ... Clean, adjust, or replace	Implement as you think proper
V-belt	Visually inspect status of wear (take care about excessive tension at time of replacement).	Before commencing work
Fuel tank filter	Visually inspect, and replace depending on level of dirtiness.	Implement as you think proper
Nuts and bolts	Visually inspect, and correct.	Before commencing work

- Be sure to use designated and genuine parts and consumables.

## Fault location

Fault	System	Observation	Cause
Cutting disc does not start turning	Clutch	Engine runs	Damage to clutch
Engine does not start or with difficulty	Ignition system	Ignition spark O.K. No ignition spark	Fault in fuel supply or compression system, mechanical defect STOP-switch operated, wiring fault or short circuit, spark plug or connector defective, ignition module faulty
	Fuel supply	Fuel tank filled	Incorrect choke position, carburetor defective, fuel supply line bent or blocked, fuel dirty
	Compression system	No compression when pulled over	Cylinder bottom gasket defective, crankshaft seals damaged, cylinder or piston rings defective or improper sealing of spark plug
	Mechanical fault Clutch	Starter not engaging Contamination adheres to clutch and around parts	Broken starter spring, broken parts inside of the engine Ratchet spring contaminated and opened, have it cleaned
Warm start problems	Carburetor	Tank filled, ignition spark existing	Carburetor contaminated, have it cleaned
Engine starts, but dies immediately	Fuel supply	Tank filled	Incorrect idling adjustment, suction head or carburetor contaminated Fuel tank vent defective, fuel supply line interrupted, cable or STOP-switch faulty
Insufficient performance	Several systems may simultaneously be affected	Engine idling poor	Air filter contaminated, carburetor contaminated, muffler clogged, exhaust duct in the cylinder clogged

# Troubleshooting

Before making a request for repairs, check a trouble for yourself. If any abnormality is found, control your machine according to the description of this manual. Never tamper or dismount any part contrary to the description. For repairs, contact Authorized Service Agent or local dealership.

State of abnormality	Probable cause (malfunction)	Remedy
Engine does not start	Failure to operate primer pump	Push 7 to 10 times
	Low pulling speed of starter rope	Pull strongly
	Lack of fuel	Feed fuel
	Clogged fuel filter	Clean
	Broken fuel tube	Straighten fuel tube
	Deteriorated fuel	Deteriorated fuel makes starting more difficult. Replace with new one. (Recommended replacement: 1 month)
	Excessive suction of fuel	Set throttle lever from medium speed to high speed, and pull starter handle until engine starts. Once engine starts, cutting disc starts rotating. Pay full attention to cutting disc. If engine will not start still, remove spark plug, make electrode dry, and reassemble them as they originally are. Then, start as specified.
	Detached plug cap	Attach securely
	Contaminated spark plug	Clean
	Abnormal clearance of spark plug	Adjust clearance
	Other abnormality of spark plug	Replace
	Abnormal carburetor	Make request for inspection and maintenance.
	Starter rope cannot be pulled	Make request for inspection and maintenance.
	Abnormal drive system	Make request for inspection and maintenance.
	Contaminated clutch and around parts	Clean
Engine stops soon Engine speed does not increase	Insufficient warm-up	Perform warm-up operation
	Choke lever is set to "H" although engine is warmed up.	Set to "ON III"
	Clogged fuel filter	Clean
	Contaminated or clogged air cleaner	Clean
	Abnormal carburetor	Make request for inspection and maintenance.
	Abnormal drive system	Make request for inspection and maintenance.
Cutting disc does not rotate ↓ Stop engine immediately	Loosened cutting disc-tightening bolt	Tighten securely
	Abnormal drive system	Make request for inspection and maintenance.
Main unit vibrates abnormally ↓ Stop engine immediately	Broken, bent or worn cutting disc	Replace cutter blade
	Loosened cutting disc-tightening bolt	Tighten securely
	Abnormal drive system	Make request for inspection and maintenance.
Cutting disc does not stop immediately ↓ Stop engine immediately	High idling rotation	Adjust
	Detached throttle linkage	Make request for inspection and maintenance.
	Abnormal drive system	Make request for inspection and maintenance.
Engine does not stop ↓ Run engine at idling, and set choke lever to "H"	Detached connector	Attach securely
	Abnormal electric system	Make request for inspection and maintenance.

When the engine does not start after warm-up operation:

If there is no abnormality found for the check items, open the throttle by about 1/3 and start the engine.

## Storage

### **WARNING:**

**When draining out fuel, always stop the engine, let it cool, and then drain fuel.**

- Draining fuel directly after stopping the engine may cause flames or fire, which could cause burn injuries.

### **CAUTION:**

**If the Power Cutter is not to be used for a prolonged period, drain out all the fuel, and store the Power Cutter in a dry, clean location.**

- Use the following procedures to drain out fuel from fuel tank and carburetor.

(1) Remove fuel tank cap, drain out fuel until tank is empty.

At this time, check to see if there is foreign matter inside the fuel tank. If there is, remove.

(2) Use a piece of wire, etc., to pull out fuel filter from neck of tank.

(3) Press the primer pump until all of the fuel is forced back into the fuel tank, and then be sure to clean out this fuel from the fuel tank.

(4) Return the fuel filter to its position in the fuel tank, and then firmly retighten fuel tank cap.

(5) Finally, run the engine until it stops.

(6) Remove the spark plug, and drain out the few drops of engine oil from the socket hole.

(7) Slowly pull the starter handle, to circulate oil throughout the engine, and then remount the spark plug.

(8) Place the drained off fuel in a proper fuel container, and store in a shaded place that is well ventilated.

Merci d'avoir acheté un produit MAKITA !  
Félicitations d'avoir choisi une découpeuse thermique MAKITA !  
Nous sommes convaincus que cet outil moderne satisfera à vos exigences.

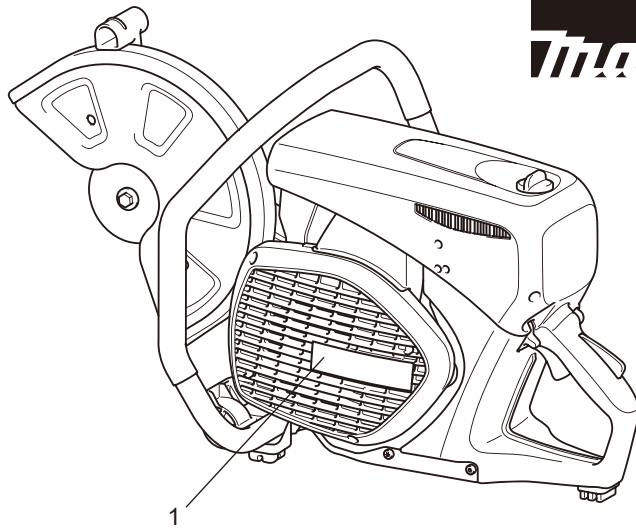
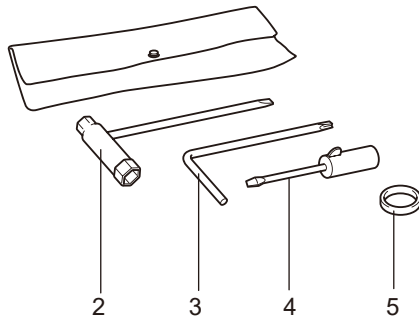
Notre souhait est que vous soyez satisfait(e) de votre produit MAKITA.

Afin de garantir des performances et un fonctionnement optimaux de votre découpeuse thermique tout en assurant votre sécurité personnelle, nous vous prions de bien vouloir tenir compte des recommandations suivantes :

**Avant la première mise en marche de la découpeuse thermique, veuillez lire attentivement ce mode d'emploi et respecter scrupuleusement les directives de sécurité. Le non-respect de ces précautions peut entraîner des blessures graves, voire le décès !**



<b>Table des matières</b>	<b>Page</b>
<b>Matériel fourni</b> .....	28
<b>Symboles</b> .....	28
<b>PRÉCAUTIONS DE SÉCURITÉ</b> .....	29
Précautions générales .....	29
Dispositifs de protection .....	29
Carburant/Ravitaillement.....	30
Mise en marche.....	30
Disques de coupe .....	31
Retour de choc et blocage .....	32
Comportement et technique de travail .....	32
Découpe de métal .....	33
Découpe de pierre et de béton.....	33
Transport et rangement.....	34
Maintenance.....	35
Premiers secours .....	35
<b>Caractéristiques techniques</b> .....	36
<b>Désignation des pièces</b> .....	37
<b>MISE EN MARCHÉ</b> .....	38
Montage du disque de coupe.....	38
Serrage de la courroie trapézoïdale / Vérification de la tension de la courroie trapézoïdale .....	39
Avant utilisation .....	39
<b>Fonctionnement</b> .....	41
Démarrage .....	41
<b>Réglage du carburateur</b> .....	42
<b>ENTRETIEN</b> .....	42
Courroie trapézoïdale .....	43
Nettoyage du capot de protection .....	43
Nettoyage/remplacement du filtre à air .....	44
Entretien de la bougie .....	45
Remplacement de la tête d'aspiration.....	45
Nettoyage du démarreur .....	46
Changement de position de l'accessoire de coupe (centrale/latérale) .....	47
<b>ACCESSOIRES SPÉCIAUX</b> .....	48
Disques de coupe diamant.....	48
Chariot de guidage.....	48
Réservoir d'eau (composant du chariot) .....	48
Réseau de distribution/dispositif d'eau sous pression .....	48
<b>Tableau d'entretien</b> .....	49
<b>Résolution de pannes</b> .....	49
<b>Dépannage</b> .....	50
<b>Entreposage</b> .....	51



1. Découpeuse thermique
2. Clé mixte 13/19 AF
3. Clé en étoile
4. Tournevis de réglage du carburateur
5. Bague pour douille (dans certains pays, les outils n'ont pas besoin de cette bague.)
6. Mode d'emploi (non illustré)

Si l'une des pièces répertoriées n'est pas incluse dans votre colis, consultez votre revendeur.

## Symboles

Vous rencontrerez les symboles suivants sur la découpeuse et dans le mode d'emploi :

	Lisez le mode d'emploi et suivez les avertissements et les précautions de sécurité !		<b>⚠ AVERTISSEMENT</b> : la vitesse périphérique maximale du disque de coupe est de 80 m/s !
	Mises en garde particulières !		Dimensions du disque de coupe
	Interdit !		Démarrage manuel du moteur
	Portez un casque protecteur, des lunettes de protection, des protège-oreilles et un équipement de protection respiratoire !		Arrêtez le moteur !
	Portez des gants de sécurité		Avertissement ! Choc en retour !
	Ne fumez pas !		Carburant (Essence)
	Pas de feu en plein air !		Premier secours
	Sens de rotation de la meule		



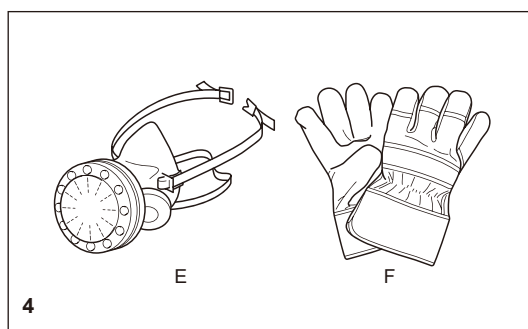
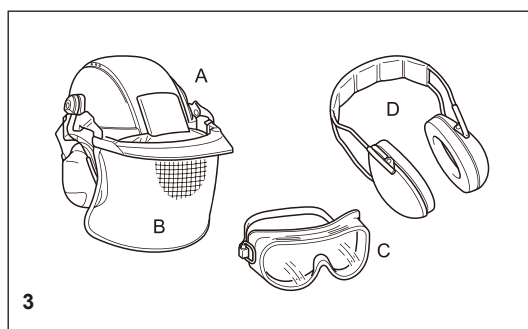
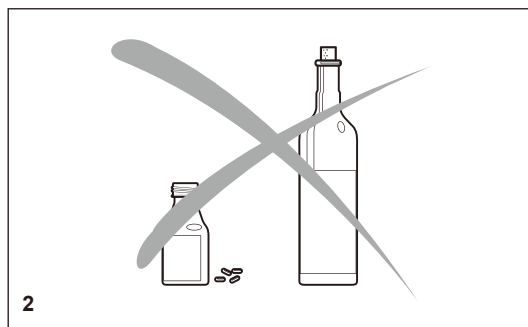
# PRÉCAUTIONS DE SÉCURITÉ

## Précautions générales

- Vous **DEVEZ lire ce mode d'emploi pour garantir le fonctionnement sûr de l'outil (même si vous avez déjà utilisé des découpeuses thermiques)**. Il est important de vous familiariser avec le fonctionnement de ce type de découpeuse thermique. Sans ces informations, vous risquez de vous mettre en danger ou de blesser d'autres personnes en raison d'une utilisation incorrecte.
- Seules les personnes ayant déjà utilisé une découpeuse thermique doivent être autorisées à travailler à l'aide de cet outil. Si vous prêtez la découpeuse thermique à un tiers, fournissez-lui également le présent mode d'emploi.
- Les personnes utilisant cet outil pour la première fois doivent demander à un spécialiste de leur apprendre à travailler avec une découpeuse thermique à essence.
- Les enfants et les jeunes âgés de moins de 18 ans ne doivent pas utiliser cette découpeuse thermique. Toutefois, les personnes de plus de 16 ans peuvent l'utiliser à des fins de formation, dans la mesure où ils sont sous la supervision d'un formateur agréé.
- L'utilisation de la découpeuse thermique nécessite beaucoup de concentration.
- Utilisez la découpeuse thermique uniquement si vous êtes en bonne condition physique. Si vous êtes fatigué(e), votre attention sera réduite. Soyez particulièrement prudent(e) à la fin d'une journée de travail. Effectuez tout le travail avec calme et prudence. Vous êtes responsable par rapport aux autres personnes.
- Ne travaillez jamais sous l'emprise de l'alcool, de drogues, de médicaments ou d'autres substances susceptibles de gêner votre visibilité, votre dextérité ou votre jugement.
- Un extincteur doit être facilement accessible.
- La découpe de l'amiante et d'autres matériaux susceptibles de libérer des toxines ne doit être effectuée qu'en prenant les précautions de sécurité nécessaires, après notification aux autorités compétentes et sous leur supervision ou celle d'une personne nommée par celles-ci.

## Dispositifs de protection

- **Pour éviter de vous blesser à la tête, aux yeux, aux mains ou aux pieds et pour éviter toute lésion de l'ouïe pendant l'utilisation de la découpeuse thermique, utilisez les équipements de protection suivants.**
- Les vêtements doivent être pratiques, c'est-à-dire ajustés, sans être gênants. Ne portez pas de vêtements dans lesquels des particules de matériaux peuvent s'accumuler (pantalons avec des poignets, vestes et pantalons avec des poches ouvertes, etc.), en particulier lors de la découpe de métal.
- Ne portez pas de bijoux ni de vêtements susceptibles d'être happés ou de se dérober de la découpeuse thermique.
- Vous devez porter un casque de protection lors de l'utilisation de la découpeuse thermique. Contrôlez régulièrement le **casque de protection (A)** afin de vérifier qu'il n'est pas endommagé et remplacez-le tous les 5 ans au minimum. N'utilisez que des casques de protection agréés.
- Le **viseur (B)** protège le visage de la poussière et des particules de matériau. Pour éviter de vous blesser les yeux et le visage, portez toujours des **lunettes de sécurité (C)** ou un viseur lors de l'utilisation de la découpeuse thermique.
- Pour éviter d'endommager votre ouïe, portez toujours un **dispositif de protection de l'ouïe** personnel adapté (protège-oreilles (D), bouche-oreilles, etc.). Analyse de la marque Octave sur demande.
- Lors du découpage à sec de matériaux produisant de la poussière, tels que de la pierre ou du béton, portez toujours un **équipement de protection respiratoire (E)** certifié.
- **Portez les gants (F)** en cuir épais fournis dans le kit de travail de la découpeuse thermique lors de chaque utilisation de celle-ci.



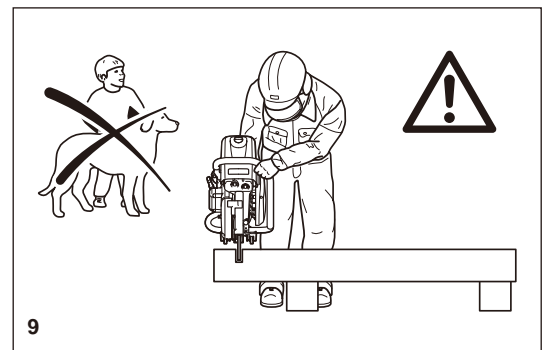
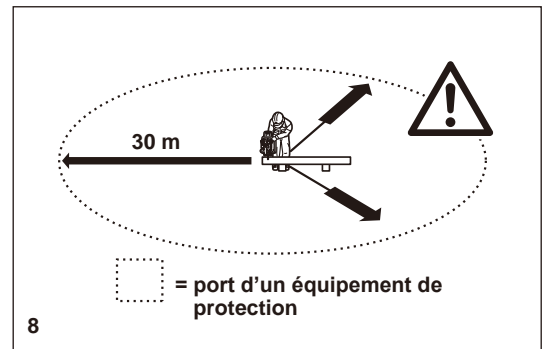
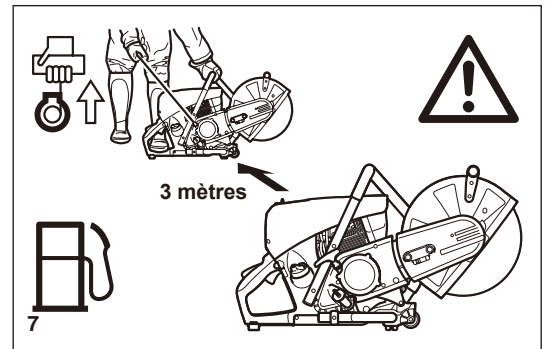
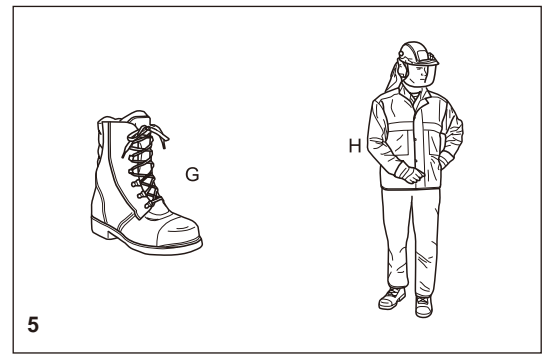
- Portez toujours des **chaussures ou bottes de sécurité (G)** munies d'embouts de sécurité, de semelles antidérapantes et de jambières lors de l'utilisation de la découpeuse thermique. Les chaussures de sécurité équipées d'une couche de protection protègent contre les coupures et garantissent une bonne position d'équilibre.
- Portez toujours des **vêtements de travail (H)** solides.

## Carburant/Ravitaillement

- Avant de procéder au ravitaillement, rendez-vous dans un lieu sûr et plat. **N'effectuez jamais le ravitaillement sur un échafaudage, sur un tas de matériaux ou dans des endroits de ce type !**
- Coupez le moteur avant de ravitailler la découpeuse thermique.
- Ne fumez pas et ne travaillez pas à proximité de feux en plein air (6).
- Laissez le moteur refroidir avant de procéder au ravitaillement.
- Le carburant peut contenir des substances similaires aux solvants. Les yeux et la peau ne doivent pas entrer en contact avec les produits pétroliers. Portez toujours des gants de protection lors du ravitaillement (et non des gants utilisés pour les travaux courants !) Nettoyez fréquemment vos vêtements de protection et changez-en souvent. Ne respirez pas les vapeurs de carburant. L'inhalation des vapeurs de carburant peut être dangereuse pour votre santé.
- Ne renversez pas de carburant. En cas de déversement, nettoyez immédiatement la découpeuse thermique. Le carburant ne doit pas entrer en contact avec les vêtements. Si vos vêtements sont entrés en contact avec du carburant, changez-en immédiatement.
- Assurez-vous que le carburant ne coule pas sur le sol (protection de l'environnement). Utilisez une bâche appropriée.
- Il est interdit de procéder au ravitaillement dans une pièce fermée. Les vapeurs de carburant s'accumuleraient près du sol (risque d'explosion).
- Veillez à visser à fond le bouchon du réservoir de carburant.
- Avant de démarrer le moteur, rendez-vous à 3 mètres au moins de l'endroit où vous avez procédé au ravitaillement de la découpeuse thermique (7), mais en dehors du rayon de projection du disque de coupe (sens des étincelles).
- Le carburant ne peut pas être conservé pendant une durée illimitée. N'en achetez que pour une consommation à court terme.
- Utilisez uniquement des récipients certifiés et colorés pour le transport et le stockage du carburant.
- **Gardez le carburant hors de portée des enfants !**

## Mise en marche

- **Ne travaillez pas seul(e). Une personne doit toujours se trouver à proximité en cas d'urgence (à portée de voix).**
- Respectez les réglementations antibruit lorsque vous travaillez dans un quartier résidentiel.
- **N'utilisez jamais la découpeuse thermique près de matériaux inflammables ou de gaz explosifs ! La découpeuse thermique peut provoquer des étincelles entraînant un incendie ou une explosion !**
- Assurez-vous que toutes les personnes situées dans un rayon de 30 mètres, par exemple les autres travailleurs, portent des équipements de protection (voir « Dispositifs de protection ») (8). Les enfants et les autres personnes non autorisées doivent rester à plus de 30 mètres de la zone de travail. Gardez également un œil sur les animaux présents (9).
- **Avant d'utiliser la découpeuse thermique, vérifiez qu'elle fonctionne parfaitement et en toute sécurité, conformément aux recommandations.** En particulier, assurez-vous que la meule est en bon état (remplacez-la immédiatement si elle est cassée, endommagée ou déformée), qu'elle est correctement installée, que le capot de protection est bloqué, que le protège-main est bien fixé, que la tension de la courroie trapézoïdale est correcte, que l'accélérateur peut être aisément déplacé, que les poignées sont propres et sèches et que l'interrupteur à prise de courant fonctionne correctement.
- Démarrez la découpeuse thermique uniquement après avoir procédé à son montage complet et à son examen. N'utilisez jamais la découpeuse thermique si elle n'est pas complètement assemblée.



## Disques de coupe

- Le capot de protection doit toujours être en place ! Ne changez les disques que lorsque le moteur est éteint !
- Il existe deux types de disques de coupe :
  - Pour le métal (découpage à chaud)
  - Pour les pierres (découpage à froid)

### REMARQUE :

- Lors de l'utilisation des disques de coupe diamant, veillez à toujours respecter le « sens de rotation » indiqué. Les disques diamant ne doivent être utilisés que pour couper des pierres, de la brique, du béton, etc.
- Les disques de coupe ne sont prévus que pour le chargement radial, c'est-à-dire pour les découpes.  
Ne meulez pas à l'aide des côtés du disque de coupe ! Vous briseriez le disque (10) !

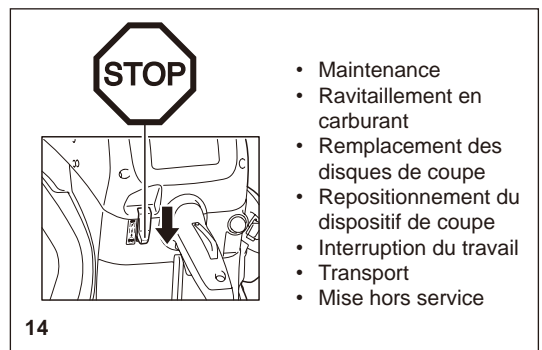
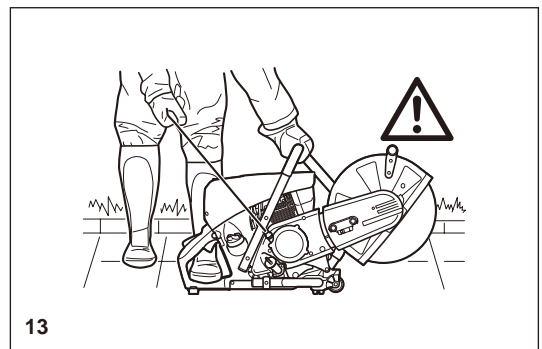
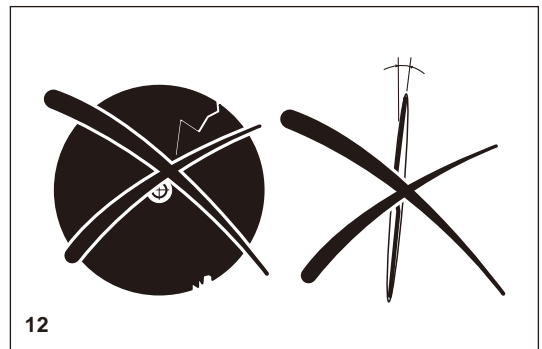
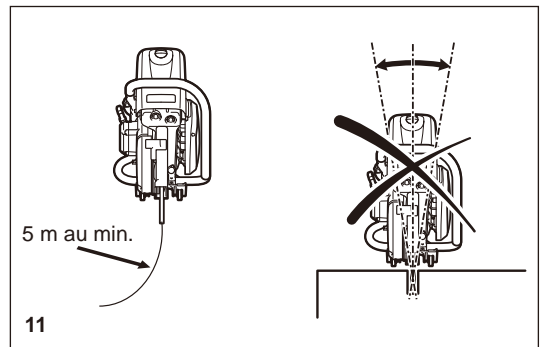
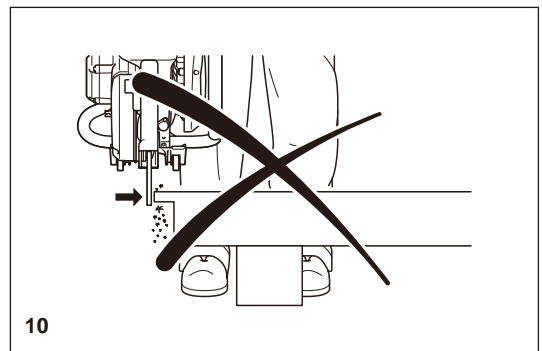
### ⚠ ATTENTION :

**Ne changez jamais de sens (rayon de braquage inférieur à 5 mètres), n'exercez pas de pression latérale (sur le côté) et n'inclinez pas la découpeuse thermique pendant la coupe (11) !**

- Utilisez un disque de coupe uniquement pour couper les matériaux prévus à cet effet. Vous devez utiliser un type de disque approprié, pour le métal ou la pierre.
- Le diamètre de l'alésage du disque de coupe doit correspondre exactement à l'arbre. Si le diamètre de l'alésage est plus grand que le diamètre de l'arbre, une bague-d'entretoise doit être utilisée (accessoires).
- Utilisez uniquement des meules approuvées par le DSA (comité allemand sur les disques abrasifs) ou une organisation équivalente pour la découpe à main levée jusqu'à 4 370 tr/min. (= 80 m/sec. au niveau de la circonférence) pour les disques de 14"/355 mm ou jusqu'à 5 100 tr/min. (= 80 m/sec. au niveau de la circonférence) pour les disques de 12"/300 mm.
- Le disque ne doit comporter aucun défaut (12). N'utilisez pas de disque de coupe défectueux.

**Serrez toujours le boulon de montage du disque de coupe selon un couple de 30 Nm. Dans le cas contraire, le disque de coupe risque de pivoter.**

- Avant d'utiliser le disque de coupe, assurez-vous d'avoir une position stable.
- Démarrez la découpeuse thermique conformément à la description indiquée dans le présent mode d'emploi (13). Placez toujours le pied gauche dans la poignée arrière et saisissez fermement l'autre poignée (avec le pouce et les autres doigts). Il est interdit de démarrer l'appareil d'une autre façon.
- Au démarrage, la découpeuse thermique doit être bien soutenue et solidement maintenue. Le disque de coupe ne doit rien toucher.
- Si le disque de coupe est neuf, testez-le en le faisant fonctionner pendant 60 secondes au moins à vitesse maximale. Ce faisant, assurez-vous que personne ni aucune partie du corps ne se trouve dans le rayon de projection du disque, au cas où il serait défectueux et se briserait.
- **Lorsque vous travaillez avec la découpeuse thermique, tenez-la toujours à l'aide des deux mains.** Tenez la poignée arrière avec la main droite et la poignée tubulaire avec la main gauche. Empoignez les poignées fermement en plaçant vos pouces face aux index.
- **ATTENTION : Lorsque vous relâchez le levier d'accélération, le disque continue à tourner quelques instants** (effet de roue libre).
- Vérifiez constamment que vous êtes en position stable.
- Tenez la découpeuse thermique comme si vous n'alliez pas respirer les gaz d'échappement. Ne travaillez pas dans une pièce confinée ni dans des fosses ou trous profonds (danger d'empoisonnement par des fumées).
- **Éteignez immédiatement la découpeuse thermique si vous observez un changement de comportement de l'appareil.**
- **Coupez le moteur avant d'examiner ou de tendre la courroie trapézoïdale, de remplacer la meule, de repositionner le dispositif de coupe** (en position latérale ou centrale) **ou de corriger des problèmes** (14).
- Coupez immédiatement le moteur et examinez le disque si vous entendez ou percevez tout changement de comportement du dispositif de coupe.
- Éteignez la découpeuse thermique lorsque vous faites une pause ou interrompez votre travail (14). Placez l'appareil de sorte que le disque ne touche aucun objet et ne constitue un danger pour personne.
- Ne placez pas la découpeuse thermique chaude dans de l'herbe sèche ou sur des objets inflammables. Le silencieux est très chaud (risque d'incendie).
- **IMPORTANT :** Après avoir effectué une coupe au mouillé, commencez par couper l'eau, puis laissez le disque tourner au moins 30 secondes, pour éliminer l'eau et éviter la corrosion.

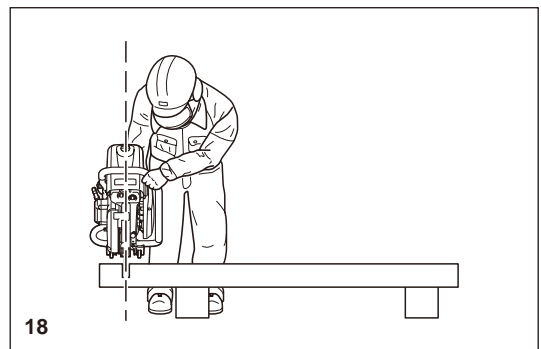
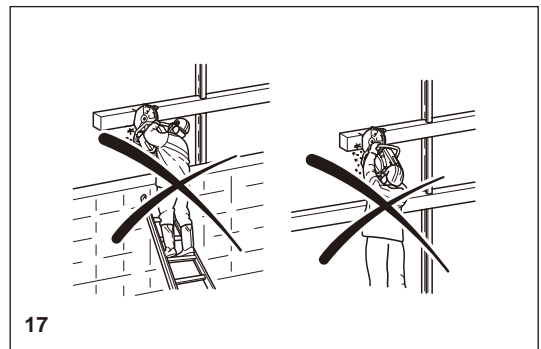
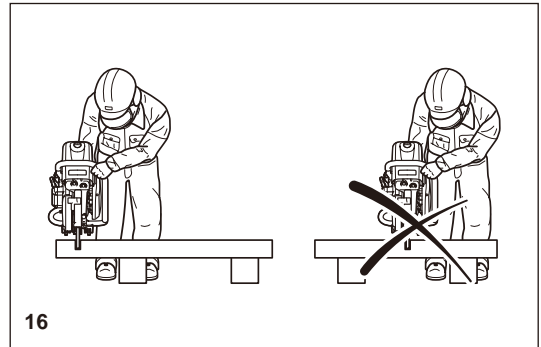
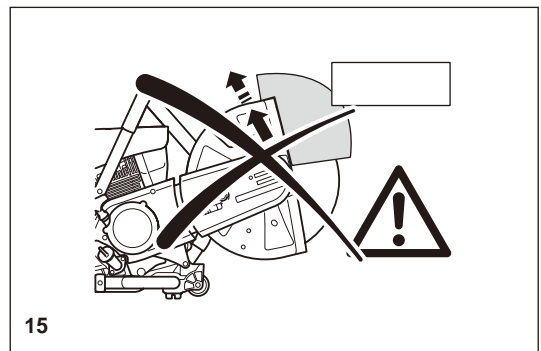


## Retour de choc et blocage

- Lors de l'utilisation de la découpeuse thermique, il existe un risque de choc en retour et de blocage.
- Le choc en retour se produit lorsque la partie supérieure du disque de coupe est utilisée pour découper (15).
- Cela entraîne la projection avec force de la découpeuse thermique vers l'utilisateur sans qu'elle puisse être contrôlée. **Risque de blessure !**  
**Pour éviter les chocs en retour, respectez les consignes suivantes :**
- Ne découpez jamais avec la partie du disque de coupe illustrée sur la figure 15. **Soyez particulièrement prudent lors de la réinsertion du disque dans les coupes déjà entamées !**
- Le blocage se produit lorsque la coupe se rétrécit (pièce fissurée ou sous contrainte).
- Cela entraîne le rebond vers l'avant de la découpeuse thermique avec force et sans qu'elle puisse être contrôlée. **Risque de blessure !**  
**Pour éviter les blocages, respectez les consignes suivantes :**
- Lors de la réinsertion du disque dans de précédentes coupes, faites fonctionner la découpeuse thermique à vitesse maximale. Procédez toujours à la découpe à la vitesse maximale.
- Soutenez toujours la pièce à découper, de sorte que la coupe soit sous tension (16) et que le disque de coupe ne se bloque pas lors de sa progression dans le matériau.
- Avant de commencer à découper, poser avec précaution le disque sur la pièce à travailler.  
Ne le poussez pas simplement dans le matériau.
- Ne coupez jamais plusieurs pièces à la fois ! Lors de la coupe, assurez-vous qu'aucune autre pièce à travailler n'entre en contact avec celle-ci.

## Comportement et technique de travail

- Avant de commencer le travail, vérifiez que la zone de travail ne présente aucun risque (fils électriques, substances inflammables). Repérez clairement la zone de travail (par exemple, à l'aide de panneaux d'avertissement ou d'un cordon de sécurité autour de la zone).
- Lors de l'utilisation de la découpeuse thermique, tenez-la fermement par les poignées avant et arrière. Ne laissez jamais la découpeuse thermique sans surveillance !
- Dans la mesure du possible, faites tourner la découpeuse thermique à la vitesse nominale de l'alésage (voir « Caractéristiques techniques »).
- Utilisez uniquement la découpeuse thermique lorsque l'éclairage et la visibilité sont corrects.  
Méfiez-vous des zones glissantes ou humides ainsi que de la glace et de la neige (risque de glissade).
- Ne travaillez jamais sur des surfaces instables. Vérifiez que la zone de travail ne comporte aucun obstacle, au risque de trébucher. Veillez à toujours avoir une bonne position d'équilibre.
- Ne coupez jamais à une hauteur supérieure à vos épaules (17).
- Ne montez jamais sur une échelle pour procéder à la coupe (17).
- N'utilisez jamais la découpeuse thermique lorsque vous vous trouvez sur un échafaudage.
- Ne vous penchez pas trop pendant l'utilisation de l'outil. Lorsque vous posez et reprenez la découpeuse thermique, ne vous courbez pas, pliez les genoux. Préservez votre dos !
- Guidez la découpeuse thermique de sorte qu'aucune partie de votre corps ne se trouve dans le prolongement de la zone de balancement du disque (18).
- Utilisez les disques uniquement pour les matériaux pour lesquels ils sont conçus !
- N'utilisez pas la découpeuse thermique pour soulever et transporter les matériaux et autres objets.  
**Important !** Avant de procéder à la coupe, retirez tous les corps étrangers, tels que les pierres, le gravier, les clous, de la zone de coupe. Dans le cas contraire, ces objets pourraient être projetés par le disque à grande vitesse. **Risque de blessure !**
- Utilisez un support stable pour couper les pièces sur leur longueur. Au besoin, fixez la pièce à travailler pour éviter qu'elle glisse, mais ne la stabilisez pas avec votre pied et ne laissez personne la tenir.
- Lors de la découpe d'objets arrondis, fixez-les toujours pour éviter qu'ils pivotent.
- Lorsque vous guidez la découpeuse thermique avec votre main, utilisez la position de montage latéral du dispositif de coupe uniquement lorsque cela est vraiment nécessaire.  
Sinon, utilisez toujours la position centrale. Cela permet un meilleur équilibre de l'appareil, ce qui réduit votre fatigue.



## Découpe de métal

### ⚠ IMPORTANT !

Portez toujours un équipement de protection respiratoire certifié !  
Les matériaux susceptibles de dégager des substances toxiques ne peuvent être coupés qu'après notification aux autorités compétentes et sous leur supervision ou celle d'une personne nommée par celles-ci.

### ⚠ ATTENTION :

La rotation rapide du disque de coupe chauffe le métal et le fait fondre au point de contact. Balancez le protège-main le plus bas possible derrière la coupe (19) afin d'orienter le jet d'étincelles vers l'avant et ainsi l'éloigner de l'utilisateur (risque d'incendie).

- Déterminez le sens de la coupe, marquez la coupe et posez le disque sur le matériau à vitesse modérée afin de couper une rainure qui vous servira de guide avant de passer à la vitesse maximale et d'appliquer davantage de pression à la découpeuse thermique.
- Maintenez le disque droit et vertical. Ne l'inclinez pas, au risque de la briser.
- Le meilleur moyen d'obtenir une coupe propre et nette est de tirer ou déplacer la découpeuse thermique selon un mouvement de va-et-vient. N'appuyez pas seulement le disque sur le matériau.
- Il est recommandé de couper les grosses souches par étapes (20).
- Les tubes et tuyaux fins peuvent être découpés en une seule taille vers le bas.
- Découpez les tuyaux de grand diamètre comme les souches. Pour éviter de tomber et mieux contrôler l'outil, ne laissez pas le disque s'enfoncer trop profondément dans le matériau. Coupez plutôt toujours peu profondément autour de l'ensemble de la pièce.
- Le diamètre des disques usés est toujours plus petit que celui des disques neufs, de sorte qu'à vitesse identique du moteur, leur vitesse circonférentielle effective est plus faible et ils ne coupent donc pas aussi bien.
- Coupez les poutres en I et les barres en L par étapes, voir la Figure 21.
- Coupez les bandes et les plaques comme les tuyaux : le long du côté le plus large avec une coupe en longueur.
- Lors de la découpe de matériau sous contrainte (matériau soutenu ou en structures), faites toujours une entaille du côté de la poussée (pression), puis coupez depuis depuis le côté de la tension, de sorte que le disque ne se bloque pas. Fixez le matériau afin qu'il ne tombe pas !

### ⚠ ATTENTION :

Si le matériau est susceptible d'être sous contrainte, préparez-vous à ce qu'il rebondisse. Assurez-vous de pouvoir vous esquiver au besoin !  
Soyez particulièrement prudent (e) dans les parcs à ferraille, sur les lieux d'accident et avec les piles de matériaux désordonnés. Les pièces mal équilibrées ou sous contrainte peuvent se comporter de manière imprévisible et glisser, sauter ou éclater. Fixez le matériau afin qu'il ne tombe pas ! Faites toujours preuve d'une prudence extrême et utilisez uniquement du matériel en parfait état de fonctionnement.

Respectez les règles et réglementations de votre employeur et/ou de votre compagnie d'assurance relatives à la prévention des accidents.

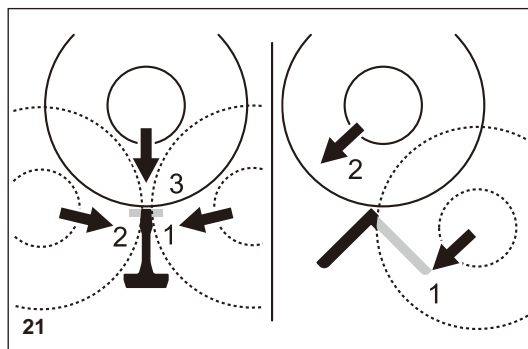
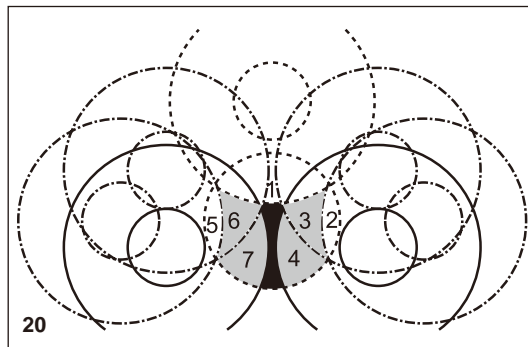
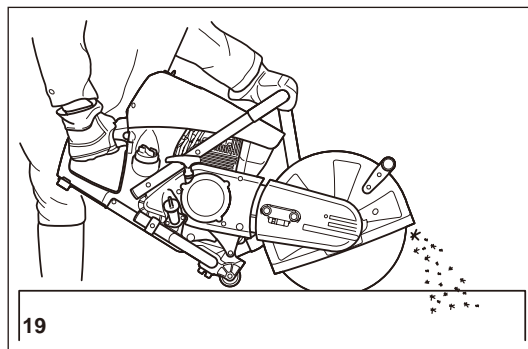
## Découpe de pierre et de béton

### IMPORTANT !

Portez toujours un équipement de protection respiratoire certifié !  
L'amiante et les autres matériaux dégagant des substances toxiques ne peuvent être coupés qu'après notification aux autorités compétentes et sous leur supervision ou celle d'une personne nommée par celles-ci. Lors de la découpe de piles de béton précontraint et armé, respectez les instructions et normes des autorités responsables ou du constructeur de l'élément structural. Les tiges de renfort doivent être découpées dans l'ordre indiqué et conformément aux règlements de sécurité en vigueur.

### REMARQUE :

Le mortier, la pierre et le béton produisent de grandes quantités de poussières pendant la coupe. Pour prolonger la durée de vie du disque de coupe (par refroidissement), améliorer la visibilité et éviter la production excessive de poussière, il est fortement conseillé d'effectuer les découpes au mouillé plutôt qu'à sec.





Lors des coupes au mouillé, un mince filet d'eau est appliqué de chaque côté du disque. MAKITA propose les accessoires adaptés à toutes les applications de coupe au mouillé (voir également « ACCESSOIRES SPÉCIAUX »).

- Retirez les corps étrangers, tels que le sable, les pierres et les clous découverts dans la zone de travail. **ATTENTION : Prenez garde des fils et câbles électriques !**

**À vitesse élevée, la rotation rapide du disque de coupe au point de contact entraîne la projection de fragments depuis la rainure de la coupe. Pour votre sécurité, balancez le capot de protection vers le bas, le plus loin possible derrière la coupe (23), de sorte que les fragments de matériau soient projetés vers l'avant, loin de vous.**

- Marquez la coupe, puis faites une rainure d'environ 5 mm le long de toute la longueur de la coupe prévue. Cette rainure guidera ensuite précisément la découpeuse thermique pendant la coupe réelle.

#### REMARQUE :

Pour effectuer de longues coupes droites, nous vous conseillons d'utiliser un chariot (24, voir également « ACCESSOIRES SPÉCIAUX »). Cela facilite considérablement le guidage de l'appareil en ligne droite.

- Effectuez la coupe selon mouvement de va-et-vient constant.  
- Lors de la découpe de bandes métalliques de taille spécifique, il est inutile de découper sur toute l'épaisseur du matériau (et ainsi de produire de la poussière inutile). Réalisez plutôt une encoche peu profonde, puis faites tomber proprement l'excédent de matériau sur une surface plane (25).

#### ATTENTION !

Lors de la découpe en longueur, à travers du matériau, en réalisant des découpes, etc., veillez à toujours prévoir le sens et l'ordre de réalisation des découpes, de sorte que le disque ne soit pas bloqué par la pièce découpée et que personne ne soit blessé par les morceaux qui tombent.

### Transport et rangement

- **Mettez toujours la découpeuse thermique hors tension lors de son transport ou son transfert d'un lieu à un autre sur un site (26).**  
- **Ne transportez pas et ne déplacez pas l'appareil lorsque le moteur est en marche ou lorsque le disque tourne !**

- Portez l'appareil uniquement par la poignée tubulaire (au centre) en plaçant le disque de coupe afin qu'il soit dirigé derrière vous (26). Évitez de toucher le silencieux d'échappement (risque de brûlure !)

- Lors du déplacement de la découpeuse thermique sur de longues distances, utilisez une brouette ou un chariot.

- Lors du transport de la découpeuse thermique dans un véhicule, veillez à ce qu'elle soit correctement positionnée, afin que le carburant ne puisse pas s'échapper.

Retirez toujours le disque de coupe avant de transporter l'appareil dans un véhicule.

- Rangez la découpeuse thermique en lieu sûr, dans un endroit sec. Elle ne doit pas être laissée à l'extérieur ! Démontez toujours le disque de coupe avant de ranger l'outil. Conservez la découpeuse thermique hors de portée des enfants.

- **Avant de ranger la découpeuse thermique pendant une période prolongée et avant de l'expédier, respectez les instructions indiquées au chapitre « Entreposage ». Videz TOUJOURS le réservoir de carburant et faites tourner le carburateur lorsqu'il est sec.**

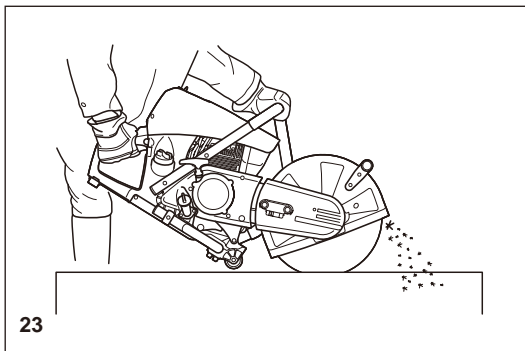
- Lors du rangement des disques de coupe, veillez à :

- Bien les nettoyer et les sécher.

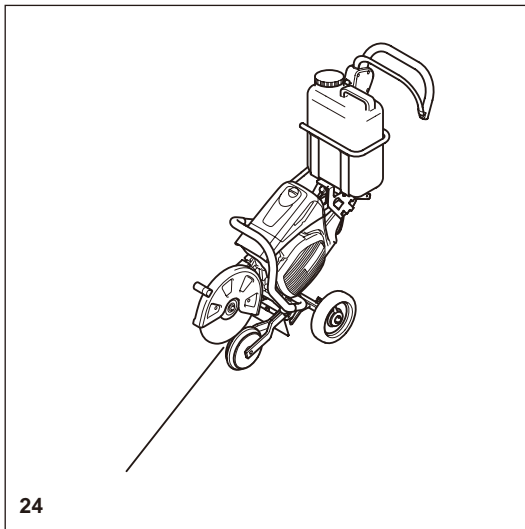
- Les poser à plat.

- Éviter l'humidité, les températures de congélation, le soleil direct, les températures élevées et les variations de température, car celles-ci peuvent entraîner la fracture et l'écaillage de l'outil.

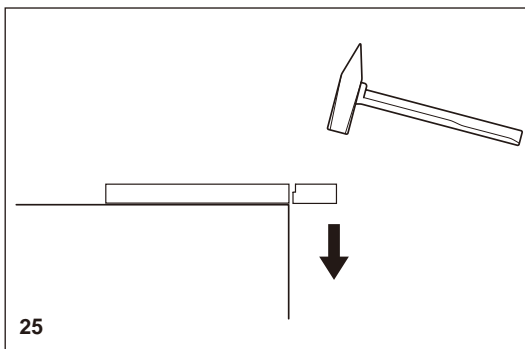
- **Examinez toujours les disques de coupe neufs ou les disques de coupe stockés pendant une longue période afin de vous assurer qu'ils ne sont pas défectueux.**



23



24



25



26

## Maintenance

- **Avant de procéder aux travaux de maintenance, éteignez la découpeuse thermique (27) et retirez le capuchon du bouchon.**
- Examinez toujours la découpeuse thermique avant de l'utiliser pour vous assurer qu'elle est en bon état de fonctionnement. En particulier, assurez-vous que le disque de coupe est installé correctement. Vérifiez que la meule n'est pas endommagée et qu'elle est adaptée au travail pour lequel elle sera utilisée.
- Ne faites fonctionner la découpeuse thermique qu'à un faible niveau de bruit et d'émission.  
Pour ce faire, assurez-vous que le carburateur est bien réglé.
- Nettoyez régulièrement la découpeuse thermique.
- Vérifiez régulièrement que le bouchon du réservoir de carburant est bien fermé.

**Respectez les consignes de prévention des accidents publiées par les associations commerciales et les compagnies d'assurance. NE modifiez JAMAIS d'aucune façon la découpeuse thermique ! Vous mettriez votre sécurité en danger !**

Effectuez uniquement les travaux d'entretien et de réparation décrits dans le présent mode d'emploi. Toute autre tâche doit être effectuée par le service d'entretien MAKITA (28).

Utilisez uniquement des pièces de rechange et des accessoires MAKITA d'origine.

L'utilisation de pièces de rechange, d'accessoires ou de disques de coupe non MAKITA augmente le risque d'accident. Nous n'assumons aucune responsabilité pour les accidents ou dommages résultant de l'utilisation de disques de coupe ou d'accessoires d'une marque autre que MAKITA.



27



ENTRETIEN

28

## Premiers secours (29)

Assurez-vous de toujours disposer d'un kit de premiers secours à proximité immédiate. Remplacez immédiatement tout article utilisé dans la boîte de premiers secours.

**Lorsque vous demandez de l'aide, fournissez les renseignements suivants :**

- Lieu de l'accident
- Que s'est-il passé ?
- Nombre de personnes blessées
- Types de blessures
- Votre nom !

### REMARQUE :

Les personnes souffrant de troubles circulatoires peuvent subir des blessures au niveau des vaisseaux sanguins ou du système nerveux si elles sont exposées à des vibrations excessives.

Les vibrations peuvent entraîner les symptômes suivants aux doigts, mains ou poignets : engourdissement, picotements, douleur, sensation lancinante, changement de couleur de la peau ou altération de la peau.

**Si l'un ou l'autre de ces symptômes apparaît, consultez un médecin !**



29

## Caractéristiques techniques

Élément		Modèle	EK7650H		EK7651H/EK7651HG	
Moteur	Déplacement	cm <sup>3</sup>	75,6			
	Alésage	mm	51			
	Course	mm	37			
	Puissance max.	kW	3,0			
	Couple max.	Nm	4,6			
	Ralenti	min <sup>-1</sup>	2 600			
	Embrayage		Système auto centrifuge			
	Vitesse maximale du moteur	min <sup>-1</sup>	9 100			
	Vitesse max. de l'axe	min <sup>-1</sup>	4 300			
	Carburateur		Type de diaphragme			
	Système d'allumage (avec limitation de vitesse)		Sans contact de type aimant			
	Bougie d'allumage	Type	NGK CMR6H			
	Distance entre les électrodes	mm	0,5			
	Système de démarrage		Système de rappel			
	Consommation de carburant en charge max. selon la norme ISO 8893	kg/h	1,2			
	Consommation spécifique en charge max. selon la norme ISO 8893	g/kWh	400			
	Carburant		Essence automobile			
	Capacité du réservoir de carburant	l	1,1			
Lubrifiant (huile moteur)		Huile grade API catégorie SF ou supérieure SAE 10W-30 (huile moteur pour automobiles 4 temps)				
Quantité de lubrifiant	l	0,22				
Disque de coupe pour 80 m/sec. ou plus <sup>1)</sup> (approuvé DSA) : dimensions	mm	300 / 20 / 5 <sup>2)</sup>	300 / 25,4 / 5 <sup>2)</sup>	350 / 20 / 5 <sup>2)</sup>	350 / 25,4 / 5 <sup>2)</sup>	
Diamètre de l'alésage	mm	20,0	25,4	20,0	25,4	
Diamètre de l'axe	mm	17		17 ou 25,4 <sup>3)</sup>		
Diamètre extérieur minimum du flasque	mm	102				
Profondeur de coupe max.	mm	97		122		
Dimensions de la découpeuse thermique (longueur totale x largeur totale x hauteur totale)		761 mm x 310 mm x 435 mm		780 mm x 310 mm x 455 mm		
N° de la courroie trapézoïdale	N°	225094-6				
Poids total (réservoirs vides, sans disque de coupe)	kg	12,7		12,9		

1) Vitesse de circonférence à la vitesse de rotation max. du moteur

2) Diamètre extérieur / orifice de l'alésage / épaisseur

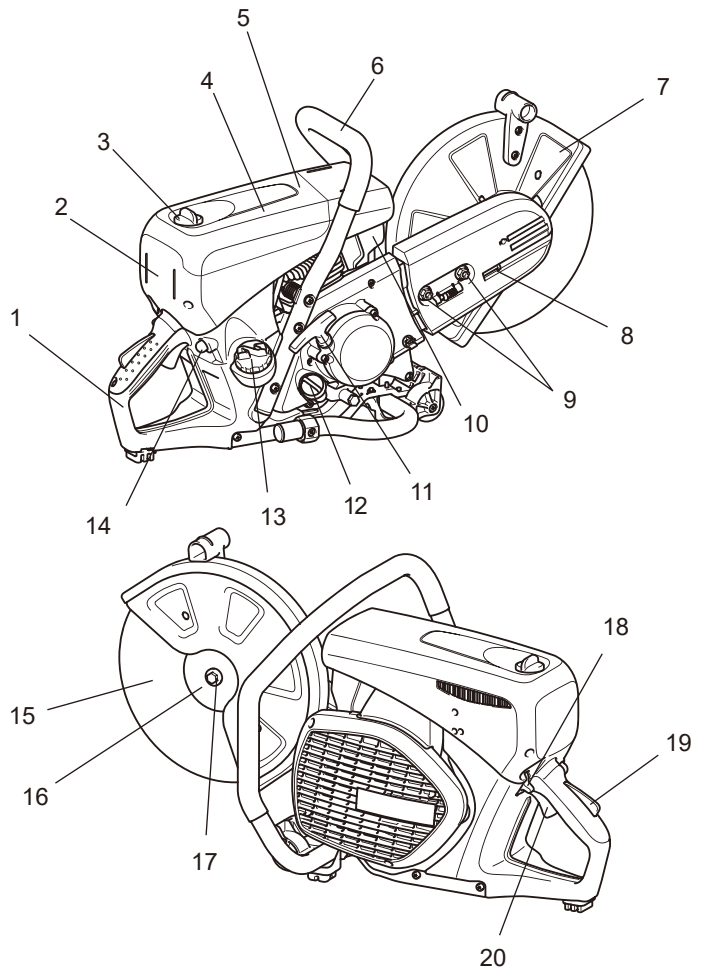
3) Propre à chaque pays

EK7651HG : ce modèle accepte l'essence brésilienne (E20 et E25).



## Désignation des pièces

1. Poignée arrière
2. Couvercle du filtre
3. Vis de blocage
4. Couvercle supérieur pour le filtre à air et le protecteur de bougie
5. Couvercle supérieur
6. Poignée avant
7. Capot de protection
8. Vis de tension
9. Écrou hexagonal
10. Silencieux
11. Poignée du démarreur
12. Bouchon du réservoir d'huile
13. Bouchon du réservoir de carburant
14. Pompe à carburant (amorce)
15. Disque de coupe
16. Flasque extérieur
17. Boulon hexagonal
18. Interrupteur
19. Bouton de verrouillage de sécurité
20. Levier d'accélération





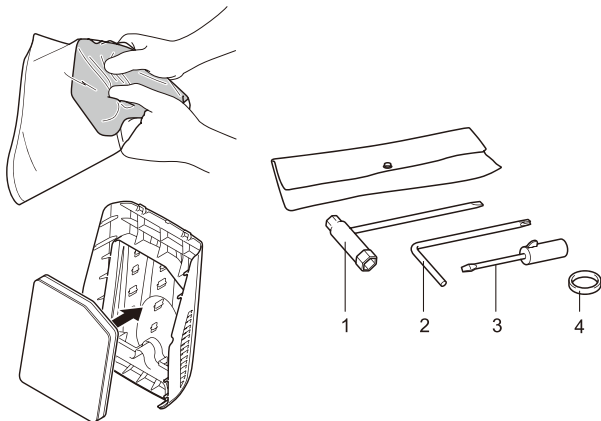
## MISE EN MARCHÉ

### ⚠ ATTENTION :

**Coupez toujours le moteur et retirez le protecteur de bougie avant d'intervenir sur la découpeuse thermique ! Portez toujours des gants de protection !**

### ⚠ ATTENTION :

**Ne démarrez la découpeuse thermique qu'après avoir procédé à son montage et son examen complets.**



Pour les tâches suivantes, utilisez les outils fournis avec l'appareil :

1. Clé mixte 13/16 AF
2. Clé en étoile
3. Tournevis de réglage du carburateur
4. Bague pour douille

Placez la découpeuse thermique sur une surface stable et effectuez les étapes de montage suivantes :

### ⚠ Aucun filtre à air n'est installé !

**Avant utilisation, pressez plusieurs fois sur le filtre fourni de sorte que l'huile soit répartie de manière homogène dans l'ensemble du filtre. Insérez un filtre en mousse graissé (pré-filtre), comme présenté sur l'illustration adjacente. Pour ce faire, retirez le couvercle du filtre (voir le chapitre relatif au Nettoyage/remplacement du filtre à air).**

## Montage du disque de coupe

### ⚠ AVERTISSEMENT :

- Lors de l'installation d'un disque de coupe diamant, veillez à le monter de sorte que la flèche se trouve dans le même sens de rotation que le flasque extérieur (6). Si vous installez le disque de coupe diamant (4) en orientant sa flèche dans le sens opposé à celle du couvre-roue, vous risquez de provoquer l'écaillage du rebord du disque et des blessures corporelles.
- Lors de l'installation d'un disque de coupe (4), utilisez toujours la bague correspondant à l'alésage du disque de coupe et au diamètre de l'axe (5). Le fait de ne pas utiliser de bagues adéquates risque provoquer des vibrations de l'outil et d'entraîner des blessures corporelles graves.
- Utilisez uniquement des disques de coupe dont l'alésage correspond au diamètre de la/des bague(s) fournie(s). L'utilisation de disques non adaptés peut provoquer des vibrations de l'outil et entraîner des blessures corporelles graves.
- Examinez le disque de coupe pour vous assurer qu'il n'est pas endommagé. (voir la section intitulée « Disques de coupe » dans PRÉCAUTIONS DE SÉCURITÉ.)

1. Insérez la clé en étoile (2) dans l'orifice (8) pour empêcher l'axe (5) de tourner.

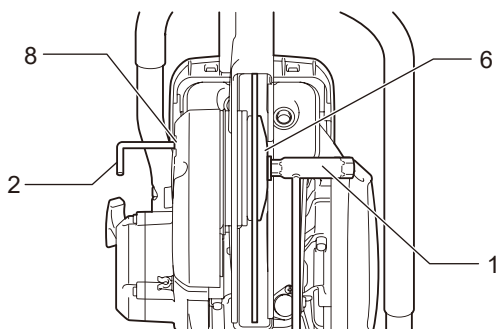
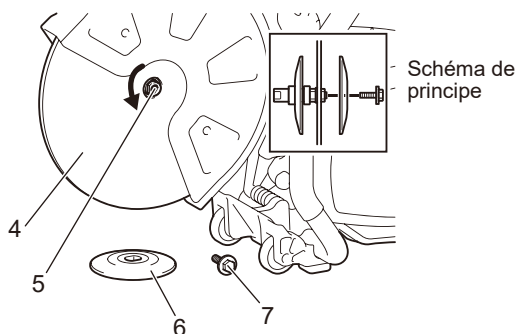
**REMARQUE :** Si le support du dispositif d'eau sous pression est installé dans l'orifice de l'outil, retirez-le avant de monter le disque de coupe.

2. Tout en tenant la clé (2) dans cette position, utilisez la clé mixte (1) fournie et tournez le boulon (7) de fixation du disque dans le sens antihoraire, puis retirez le boulon (7) et le flasque extérieur (6).
3. Placez un disque de coupe diamant/disque abrasif (4) sur l'alésage (5). Posez ensuite le flasque extérieur (6) sur l'axe, de sorte que les deux surfaces parallèles plates sur le flasque extérieur s'adaptent sur la surface plate de l'axe. Serrez enfin fermement le boulon dans le sens horaire.

Pour installer un disque de coupe, placez une bague de diamètre identique à celui de l'alésage du disque et au joint torique fourni afin de maintenir la bague sur l'axe avant d'installer un disque de coupe diamant.

Installez ensuite le disque de coupe.

**REMARQUE :** Serrez fermement le boulon hexagonal (25 - 31 Nm) pour éviter que la meule glisse pendant la coupe.



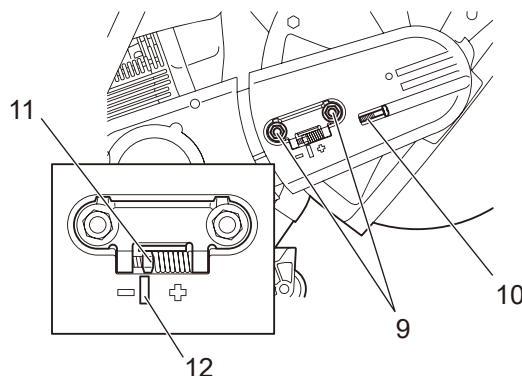
## Serrage de la courroie trapézoïdale / Vérification de la tension de la courroie trapézoïdale

### IMPORTANT :

Il est essentiel que la tension de la courroie trapézoïdale soit correcte pour permettre des performances de coupe maximales et une consommation de carburant minimale. Une tension incorrecte de la courroie trapézoïdale entraînerait une usure prématurée de celle-ci ainsi que de sa roue ou bien l'endommagement du roulement d'embrayage.



**REMARQUE :** Desserrez les deux écrous hexagonaux (9) avant de serrer la courroie trapézoïdale ou de vérifier sa tension. Pour augmenter la tension de la courroie, tournez la vis de tension (10) vers la droite (dans le sens horaire) à l'aide de la clé mixte fournie avec la découpeuse thermique. Pour savoir si la tension de la courroie est correctement réglée, vérifiez que l'écrou (11) se trouve à l'emplacement indiqué sur la figure par rapport au repère (12).



### IMPORTANT :

- Après avoir procédé au serrage/à l'examen, n'oubliez pas de serrer l'écrou hexagonal (9) (25 - 31 Nm).
- Ne procédez pas au réglage de la tension de la courroie lorsque l'appareil est chaud. Il y a un risque de brûlure.

## Avant utilisation

### 1. Examen/remplissage du niveau d'huile

- Lorsque le moteur est froid, vérifiez/remplissez l'huile moteur selon la procédure suivante :
  - Placez le moteur sur une surface plane et vérifiez si l'huile se trouve entre les repères MAX et MIN du réservoir d'huile.
  - En cas de niveau d'huile insuffisant (près du repère MIN du réservoir d'huile), remplissez le réservoir d'huile jusqu'au repère MAX.
  - Vous pouvez vérifier la quantité d'huile à l'extérieur sans retirer le bouchon d'huile, car le niveau d'huile peut être observé dans la fenêtre du repère de mesure externe transparente.
  - À titre de référence, l'huile doit être remplie toutes les dix heures de fonctionnement (un réservoir d'huile pour dix remplissage d'essence).
  - Remplacez l'huile extrêmement sale ou décolorée.
- <Huile recommandée> .... Utilisez de l'huile grade API catégorie SF ou supérieure SAE 10W-30 (huile moteur pour automobiles 4 temps)
- <Quantité d'huile> ..... 0,22 l (220 ml)

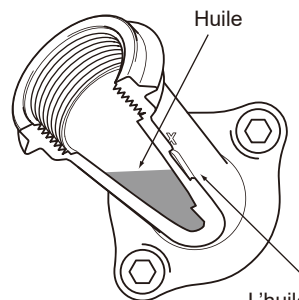
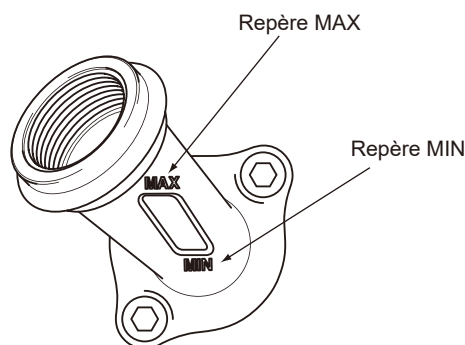
### REMARQUE :

- Si le moteur n'est pas rangé en position verticale, l'huile s'écoulera à l'intérieur, ce qui entraînera un excédent d'huile dans la découpeuse thermique au moment du ravitaillement.
- Si l'huile dépasse le repère MAX, elle risque de fuir, provoquant des saletés et de la fumée blanche.

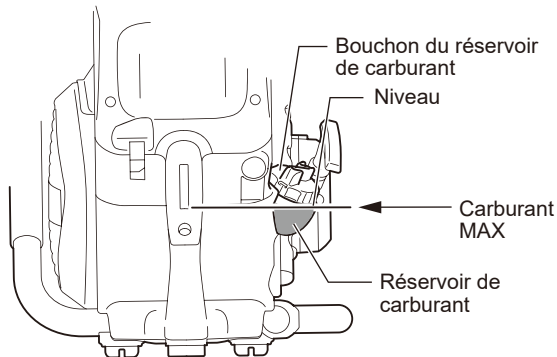
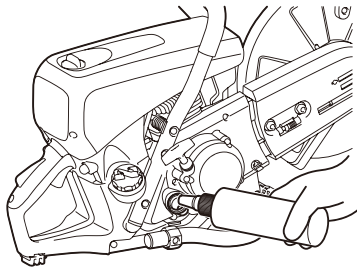
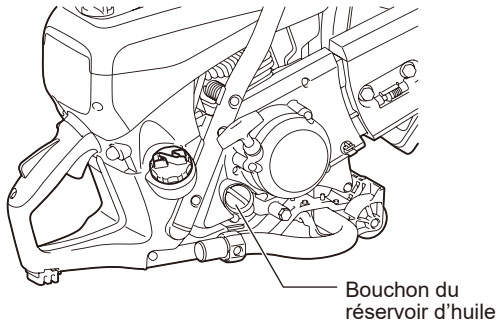
### Remplacement d'huile, point 1 <Bouchon d'huile>

Intervalle de remplacement : Au départ, après 20 heures de fonctionnement et ensuite toutes les 30 heures de fonctionnement.

- Nettoyez la saleté présente autour du goulot de remplissage d'huile, puis retirez le bouchon d'huile.
- Placez le bouchon d'huile sur une surface où il ne risque pas de recevoir de saleté ni de poussière. Si vous remettez le bouchon d'huile en place alors qu'il est sale, la circulation d'huile sera altérée, ce qui entraînera l'usure des pièces moteur, puis une défaillance mécanique.



L'huile est visible à partir de ce point, donc vous devez utiliser les repères MAX et MIN pour vérifier la quantité d'huile.



- (1) Placez le moteur sur une surface plane et retirez le bouchon d'huile.
- (2) Remplissez le réservoir d'huile jusqu'à la base du goulot de remplissage.  
Lors du remplissage d'huile, utilisez un récipient approprié pour le remplissage du lubrifiant.
- (3) Serrez bien le bouchon d'huile. Si le bouchon est mal desserré, l'huile fuira.

#### Remplacement d'huile, point 2 <Que faire en cas de déversement d'huile>

En cas de déversement d'huile entre le réservoir de carburant et le moteur, et si la découpeuse thermique est mise en route, l'huile sera aspirée par la prise d'air froid, provoquant des saletés. Essayez toujours l'huile déversée avant d'utiliser la découpeuse thermique.

#### 2. Ravitaillement en carburant

##### ⚠ AVERTISSEMENT :

- **Respectez toujours les points suivants lors du ravitaillement en carburant. Le non-respect des instructions suivantes peut entraîner des flammes ou un incendie.**
  - Éloignez-vous toujours des flammes lors du ravitaillement. De plus, ne fumez pas et n'approchez pas de flamme près du carburant ou de la découpeuse thermique pendant le ravitaillement.
  - Coupez le moteur et laissez-le refroidir avant de procéder au ravitaillement.
  - Ouvrez toujours le bouchon du réservoir de carburant lentement afin de libérer la pression interne de manière contrôlée. Le non-respect de cette consigne peut entraîner la pulvérisation du carburant en raison de la pression interne.
  - Veillez à ne pas renverser de carburant. En cas de déversement de carburant, essuyez-le parfaitement.
  - Procédez au ravitaillement dans un lieu bien ventilé.
- **Manipulez toujours le carburant avec une extrême prudence.**
  - Si le carburant entre en contact avec la peau et/ou les yeux, il risque de provoquer une réaction allergique et/ou une inflammation.  
En cas de réaction allergique, d'inflammation, etc., consultez immédiatement un médecin.

#### <Durée de stockage du carburant>

En règle générale, le carburant conservé dans un récipient adapté, dans un lieu abrité de la lumière et bien ventilé doit être utilisé dans les quatre semaines. En cas d'utilisation d'un récipient non adapté et/ou de retrait du bouchon, etc., en été, le carburant peut se dégrader en une journée.

#### Entreposage de la découpeuse thermique et du récipient de carburant

- Entrez la découpeuse thermique et le récipient de carburant à l'abri des rayons directs du soleil et dans endroit frais.
- Ne laissez pas la découpeuse thermique ou le récipient de carburant remplis dans une automobile ou le coffre de celle-ci.

#### <Carburant>

La découpeuse thermique est équipée d'un moteur quatre temps donc vous devez utiliser de l'essence automobile pour la faire fonctionner.

EK7651HG : ce modèle accepte l'essence brésilienne (E20 et E25).

#### Points relatifs au carburant

- N'utilisez pas de mélange de carburant (huile moteur mélangée à de l'essence). Vous risqueriez de provoquer le calaminage de l'outil et une défaillance mécanique.
- L'utilisation de carburant ancien peut entraîner un démarrage difficile du moteur.

#### <Ravitaillement en carburant>

Coupez toujours le moteur et laissez-le refroidir avant de procéder au ravitaillement.

#### <Essence utilisable> ..... Essence automobile

- Desserrez légèrement le bouchon du réservoir de carburant pour libérer la pression et ainsi équilibrer la pression d'air interne et la pression externe.
- Retirez le bouchon du réservoir de carburant et procédez au ravitaillement. (Ne remplissez pas le réservoir jusqu'au goulot.)
- Après avoir procédé au ravitaillement, serrez le bouchon du réservoir de carburant.
- Le bouchon du réservoir de carburant est un produit consommable. Par conséquent, remplacez-le s'il présente des signes d'usure ou d'autres anomalies. (Il est généralement conseillé de le remplacer tous les deux ou trois ans.)

# Fonctionnement

## Démarrage

### ⚠ AVERTISSEMENT :

Ne démarrez pas le moteur à l'endroit où vous avez effectué le ravitaillement en carburant. Éloignez-vous de trois mètres au moins du lieu de ravitaillement de la découpeuse thermique.

- Le non-respect de cette consigne peut provoquer des flammes ou un incendie.

### ⚠ ATTENTION :

Avant de démarrer le moteur, n'oubliez pas de vérifier que le disque de coupe ne touche pas le sol ou un autre obstacle.

- La mise en contact du disque de coupe avec le sol ou un autre obstacle peut entraîner un accident.

Dès le démarrage du moteur, le disque de coupe se met à tourner. Vous devez donc faire très attention aux personnes et aux obstacles qui se trouvent à proximité.

### 1. Démarrage à froid

- (1) Appuyez plusieurs fois sur la pompe d'amorçage jusqu'à ce que le carburant pénètre à l'intérieur.
- (2) Tournez le commutateur dans le sens de ↙ (étrangleur).
- (3) Appuyez sur la poignée arrière avec un pied et maintenez fermement la poignée tubulaire vers le bas avec une main.
- (4) Tirez plusieurs fois et avec énergie sur la poignée de démarrage jusqu'à ce que vous entendiez un bruit d'allumage.

### Réchauffement

- Dès que le moteur démarre, maintenez le levier de sécurité abaissé, puis appuyez et relâchez l'accélérateur plusieurs fois pendant une ou deux minutes pour réchauffer le moteur.
- Une fois que la vitesse du moteur est stable et qu'il passe sans à-coups du ralenti à une vitesse élevée, le réchauffement est terminé.

### 2. Démarrage avec un moteur chaud


Appuyez plusieurs fois sur la pompe d'amorçage. Placez tout d'abord l'interrupteur en position [I] (fonctionnement) et démarrez le moteur conformément à l'étape (3) de la procédure 1 ci-dessus.

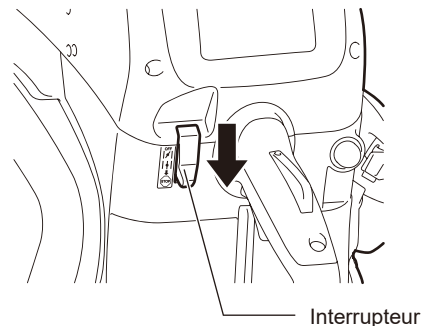
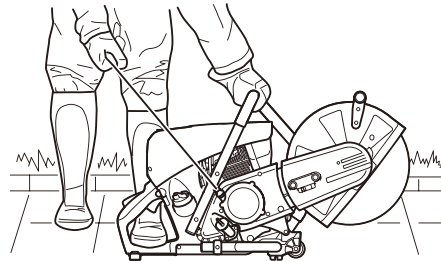
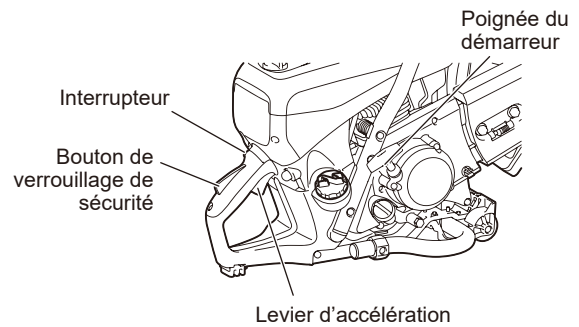
### REMARQUE :

- Si vous tirez et relâchez plusieurs fois la poignée du démarreur en plaçant l'interrupteur sur l'étrangleur, le moteur sera noyé de carburant, rendant le démarrage difficile.
- À l'arrêt du moteur, n'appuyez jamais sur le levier d'accélération. Si vous appuyez inutilement sur le levier d'accélération alors que le moteur est arrêté, le moteur sera noyé de carburant, rendant le démarrage difficile.
- Si le moteur est noyé par le carburant, retirez la bougie d'allumage et tirez lentement et à plusieurs reprises sur la poignée de démarrage pour retirer l'excédent de carburant. Séchez également l'électrode de la bougie.
- Ne déroulez pas toute la corde lorsque vous tirez sur la poignée de démarrage, au risque de réduire la durée de vie de la corde. Remplacez également doucement la poignée de démarrage sans la relâcher brusquement.
- Évitez de laisser la découpeuse thermique tourner à vitesse maximale du ralenti, au risque de réduire la durée de vie du moteur.

### 3. Arrêt

Pour arrêter le moteur, relâchez l'accélérateur et placez l'interrupteur en position  (arrêt).

Si le levier d'étrangleur n'est pas correctement placé en position  pour arrêter l'outil, accélérez moyennement pour redémarrer.



## Réglage du carburateur

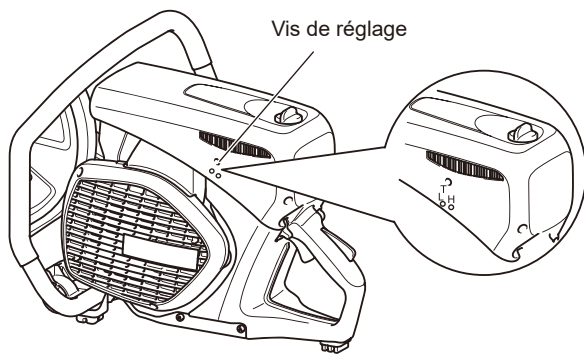
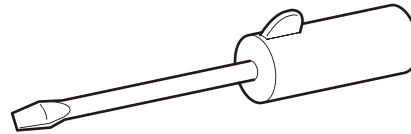


**REMARQUE :** Le moteur est équipé d'un allumage électronique afin de limiter la vitesse. Le carburateur comporte également un gicleur fixe qui ne peut pas être réglé.

En usine, la vitesse du ralenti a été réglée sur 2 600 min<sup>-1</sup>, mais le processus de rodage d'un moteur neuf peut nécessiter un léger réajustement de la vitesse du ralenti.

Réglez la vitesse du ralenti à l'aide d'un tournevis (largeur de la lame : 4 mm).

Il est conseillé d'utiliser un tournevis muni d'un ergot moulé et fourni en option pour le réglage.



### 4. Réglage du ralenti

**ATTENTION :** Le réglage du carburateur ne peut être effectué que par un centre d'entretien MAKITA spécialisé ! N'effectuez aucun ajustement des vis de réglage (H) et (L) sans tachymètre ! Un mauvais réglage pourrait endommager le moteur !

Il est nécessaire d'utiliser un tachymètre pour procéder à l'ajustement des vis de réglage (H) et (L), car si le moteur fonctionne à plein régime, il risque de chauffer et de manquer de lubrifiant. Cela risque d'endommager le moteur !

Seule la vis de réglage (T) peut être manipulée par l'utilisateur. Si le disque de coupe fonctionne au ralenti (c'est-à-dire sans que l'accélérateur soit actionné), il est impératif de corriger la vitesse du ralenti !

Le réglage du ralenti ne doit être effectué que lorsque le moteur est chaud et le filtre à air propre.

Utilisez un tournevis (lame de 4 mm) spécialement conçu pour le réglage du ralenti.

## ENTRETIEN

### ⚠ ATTENTION :

- Avant d'intervenir de quelque manière que ce soit sur la découpeuse thermique coupez le moteur et laissez-le refroidir, retirez le disque de coupe, retirez le protecteur de la bougie et portez des gants de protection !

Si vous procédez à l'entretien immédiatement après avoir coupé le moteur ou sans avoir retiré le protecteur de la bougie, vous risquez de vous brûler en raison du moteur chaud ou de vous blesser suite à un démarrage accidentel.

- Ne démarrez la découpeuse thermique qu'après avoir procédé à son montage et son examen complets.
- N'utilisez jamais d'essence, de benzine, de diluant, d'alcool ou de produit similaire. Ces produits risquent de provoquer des décolorations, des déformations ou des fissures.

### REMARQUE :

- Essayez la saleté présente sur la découpeuse thermique, puis choisissez un lieu de travail propre pour y effectuer l'entretien.







## ENTRETIEN

### IMPORTANT :

De nombreuses pièces et ensembles non mentionnés dans le présent mode d'emploi sont fondamentaux pour la sécurité de l'appareil et comme toutes les pièces sont soumises à une certaine usure, il est important pour votre sécurité que vous fassiez réviser et entretenir régulièrement l'appareil par un centre d'entretien MAKITA.

### IMPORTANT :

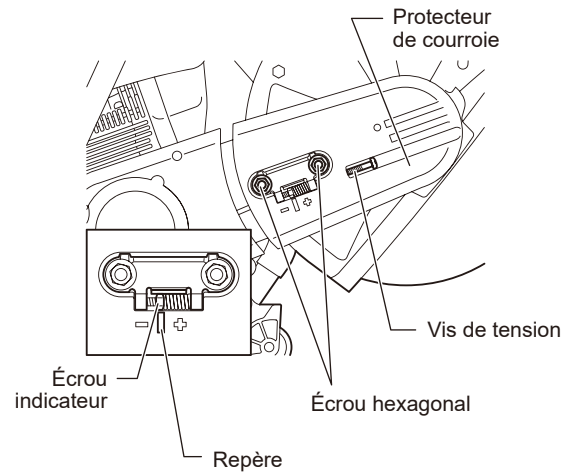


En cas de rupture de la meule pendant la coupe, faites réparer la découpeuse thermique dans un centre d'entretien MAKITA avant de l'utiliser à nouveau !

### Courroie trapézoïdale

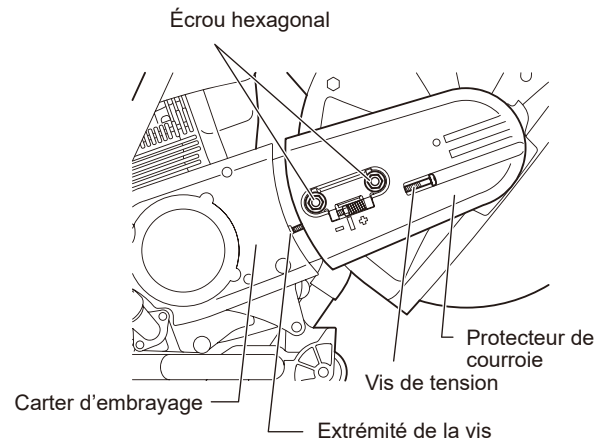
#### 1. Réglage de la courroie trapézoïdale

- Si le disque de coupe s'arrête facilement au milieu de l'opération, la courroie trapézoïdale est détendue. Dans ce cas, réglez la tension en procédant comme suit :
  - (1) Desserrez les écrous de serrage du protecteur de courroie.
  - (2) Tournez la vis de réglage de tension vers la droite (dans le sens horaire) jusqu'à ce que l'écrou indicateur atteigne la position indiquée, afin d'augmenter la tension de la courroie trapézoïdale.
  - (3) Après avoir tendu la courroie trapézoïdale, resserrez à fond les écrous de serrage du protecteur de courroie.
- Si le disque de coupe s'arrête facilement alors que la tension de la courroie trapézoïdale a été ajustée, ou si la courroie trapézoïdale se rompt, remplacez-la par une courroie trapézoïdale neuve.



#### 2. Remplacement de la courroie trapézoïdale

- (1) Desserrez l'écrou de serrage et tournez la vis de réglage de la tension vers la gauche jusqu'à ce que l'extrémité de la vis soit visible.
- (2) Retirez les écrous de serrage, puis le protecteur de courroie.
- (3) Ensuite, retirez les trois vis de montage, puis le carter d'embrayage.
- (4) Retirez l'ancienne courroie trapézoïdale et installez la courroie trapézoïdale neuve. Remontez ensuite le carter d'embrayage, puis le protecteur de courroie.
- (5) Réglez la tension, comme illustré dans la section Réglage de la courroie trapézoïdale.



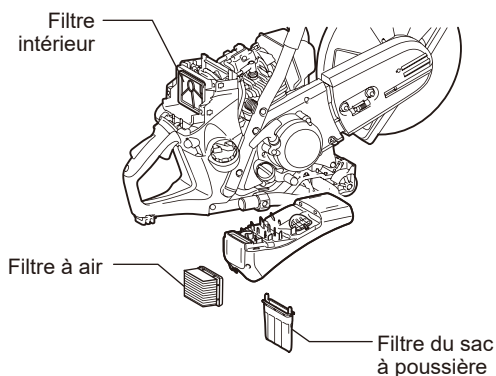
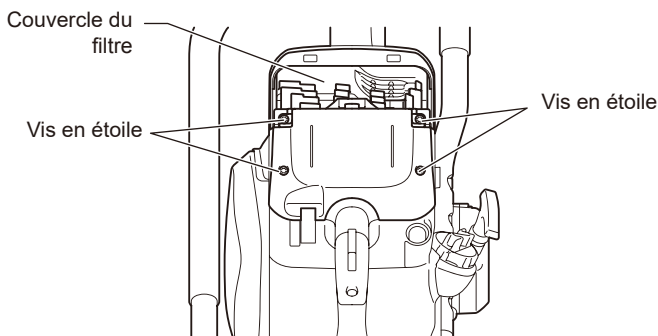
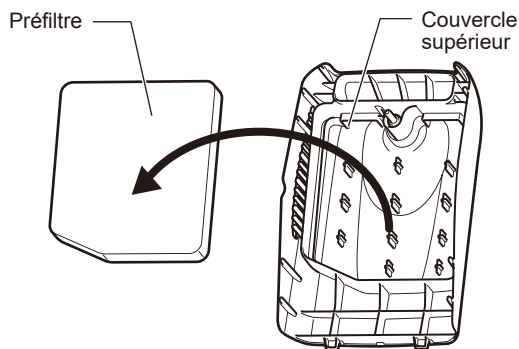
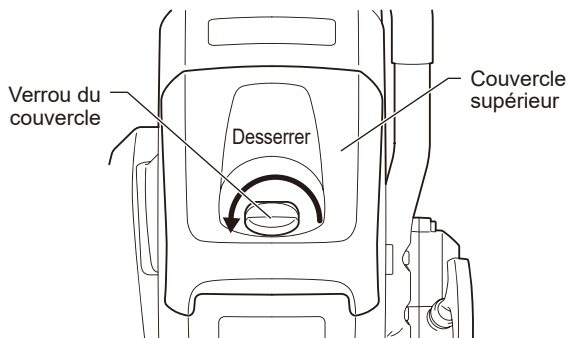
### Nettoyage du capot de protection

Avec le temps, l'intérieur du capot de protection peut être incrusté de résidus de matériau (résultant en particulier des coupes au mouillé) qui, s'ils ne sont pas retirés, risquent de gêner la rotation du disque de coupe. C'est la raison pour laquelle le capot doit être nettoyé de temps à autre. Retirez la meule ainsi que la saleté qui s'est accumulée depuis l'intérieur du capot à l'aide d'une latte de bois ou d'un accessoire similaire. Nettoyez l'arbre et toutes les pièces démontées à l'aide d'un tissu.

**REMARQUE :** Avant d'installer la meule, consultez la section « Montage du disque de coupe ».





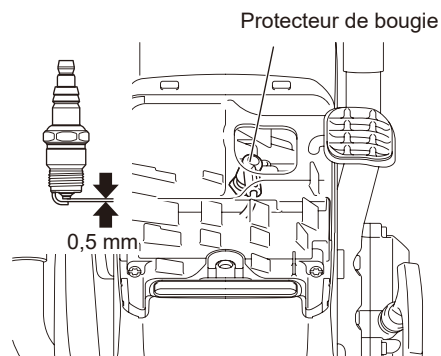
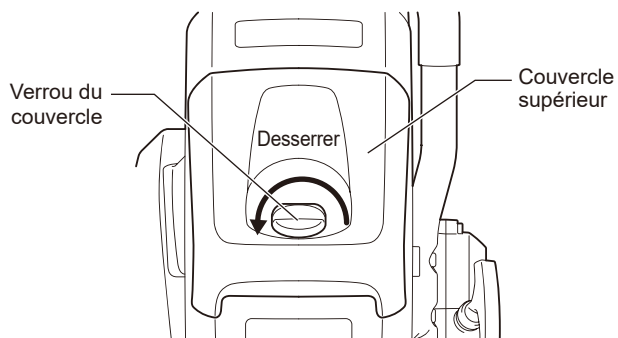


## Nettoyage/remplacement du filtre à air

- Si le filtre à air est bouché, les performances du moteur risquent d'être altérées. Par conséquent, après chaque utilisation de la découpeuse thermique, veillez à nettoyer le filtre à air comme suit.
- Tournez le verrou du couvercle vers la gauche et retirez-le.
- Déposez le couvercle supérieur après en avoir retiré la poussière.
- Ensuite, retirez le préfiltre.
- Retirez les quatre vis en étoile.
- Retirez le couvercle du filtre.
- Retirez le filtre à air.
- Retirez le filtre du sac à poussière du couvercle du filtre, puis tapotez et soufflez doucement dessus pour le nettoyer.
- Tapotez et soufflez doucement sur le filtre intérieur pour en retirer les saletés et la poussière. Lavez également régulièrement le filtre intérieur dans de l'eau savonneuse et séchez-le bien.
- Pour nettoyer le filtre à air, tapotez-le doucement. Si un compresseur d'air doit être utilisé, soufflez avec celui-ci à l'intérieur du filtre à air. Ne lavez pas le filtre à air.
- Soufflez sur la poussière qui se trouve autour des filtres.
- Une fois le nettoyage terminé, remontez le filtre à air sur le couvercle du filtre.
- Serrez à fond le verrou du couvercle.

## Entretien de la bougie

- (1) Desserrez le verrou du couvercle et retirez le couvercle supérieur.
- (2) Ouvrez le couvercle de la bougie, retirez le protecteur de bougie, puis la bougie.
- (3) Vérifiez que l'écartement des pointes d'électrode est de 0,5 mm. Si l'écartement est trop grand ou trop petit, réglez-le sur 0,5 mm.
- (4) Si de la calamine et/ou de la saleté s'est accumulé(e) sur la bougie, nettoyez-la, puis remontez-la. Toute bougie excessivement usée ou brûlée doit être remplacée par une bougie neuve.
- (5) Après avoir effectué l'entretien de la bougie, remontez-la, fixez le protecteur de bougie, puis le couvercle de la bougie.



## Remplacement de la tête d'aspiration

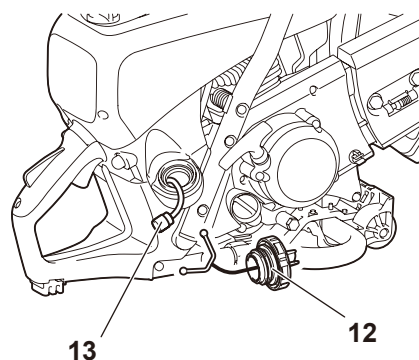
Le filtre du réservoir de carburant (13) de la tête d'aspiration peut se boucher. Il est recommandé de remplacer la tête d'aspiration tous les trois mois afin de garantir le débit fluide du carburant vers le carburateur.

Dévissez le bouchon du réservoir de carburant (12) et retirez la vis d'obturation.

Videz le réservoir de carburant.

Pour retirer la tête d'aspiration afin de la remplacer, sortez-la par le goulot du réservoir à l'aide d'un fil courbé à une extrémité pour former un crochet.

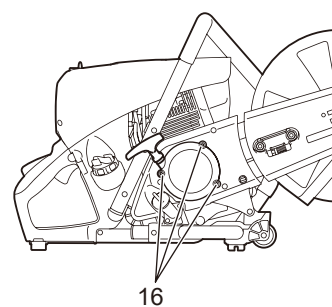
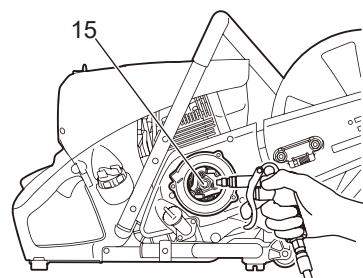
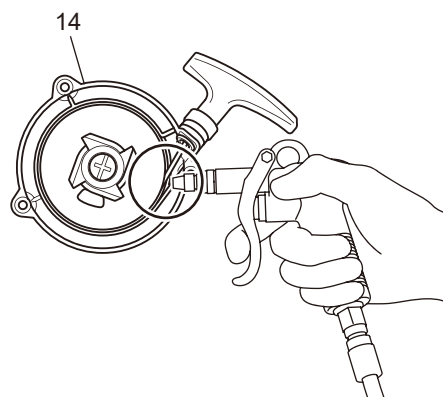
**⚠ ATTENTION :** Veillez à ce que le carburant n'entre pas en contact avec la peau !



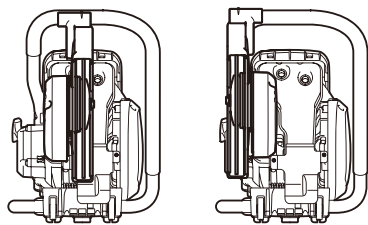
## Nettoyage du démarreur

Si le démarreur fonctionne mal, notamment lorsque sa corde ne revient pas en position initiale, il est nécessaire de dépoussiérer le démarreur (14) ainsi que l'embrayage (15).

Pour accéder au démarreur et à l'embrayage afin de les nettoyer, retirez trois vis (16).



Sens de montage



A

B

## Changement de position de l'accessoire de coupe (centrale/latérale)

### Sens de montage du capot

- L'accessoire de coupe de la découpeuse thermique est installé dans le sens indiqué sur la Fig. A. Si vous le souhaitez, installez-le dans le sens indiqué sur la Fig. B en procédant comme suit.

### Installation dans le sens B

- (1) Desserrez l'écrou de serrage et tournez la vis de réglage de la tension vers la gauche jusqu'à ce que l'extrémité de la vis soit visible. (Fig. 1)
  - (2) Retirez les écrous de serrage, puis le protecteur de courroie. (Fig. 1)
  - (3) Faites pivoter le capot selon la position des pointillés. Retirez la courroie trapézoïdale puis l'accessoire de coupe de la découpeuse thermique. Remettez la poignée en place. (Fig. 2)
  - (4) Saisissez l'arbre de verrouillage à l'aide d'un tournevis pour écrous à fentes ou d'une pince coupante. (Fig. 3)
  - (5) Faites pivoter le bras jusqu'à ce qu'il entre en contact avec la poignée, puis remontez manuellement l'arbre de verrouillage en position d'origine. (Fig. 4)
  - (6) Retournez l'accessoire de coupe que vous avez retiré, faites passer le boulon à travers l'orifice, puis remontez-le dans le sens B. Réinstallez la courroie trapézoïdale sur la poulie. (Fig. 6)
  - (7) Installez le protecteur de courroie. (Fig. 7)
- Tournez la vis de réglage de la tension pour ajuster la tension de la courroie trapézoïdale. Après avoir procédé au réglage de la tension, serrez à fond l'écrou de serrage.

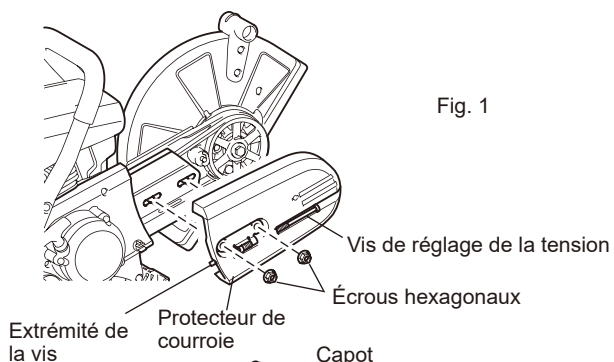


Fig. 1

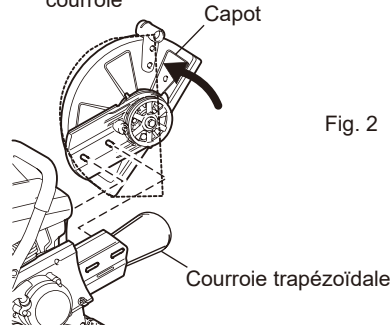


Fig. 2

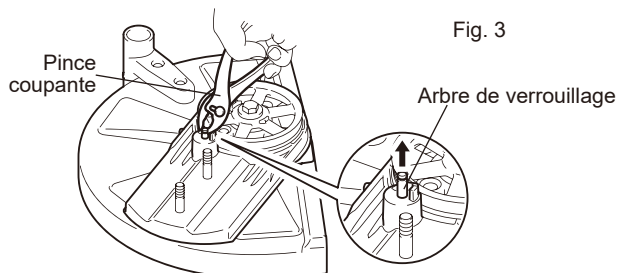


Fig. 3

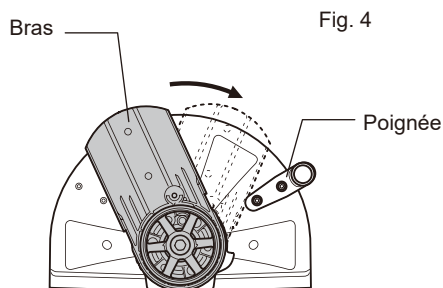


Fig. 4

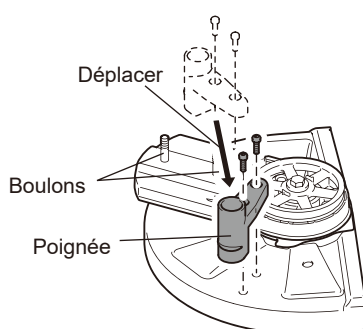


Fig. 5

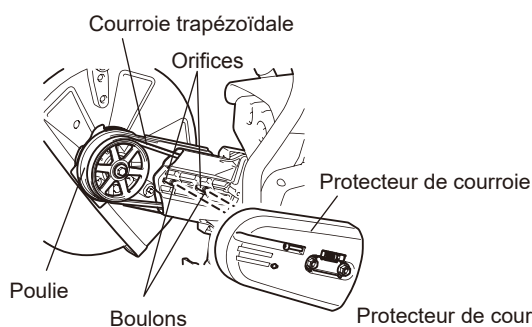


Fig. 6

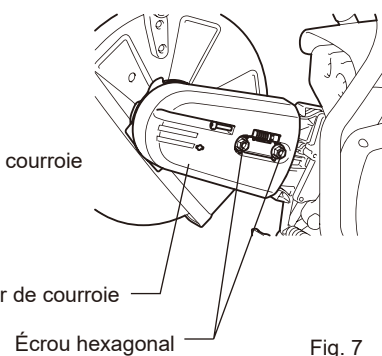


Fig. 7

## ACCESSOIRES SPÉCIAUX

### Disques de coupe diamant

Les disques de coupe diamant MAKITA répondent aux exigences les plus strictes en matière de sécurité professionnelle, facilité d'utilisation et performances de coupe économiques. Ils peuvent être utilisés pour découper tous les matériaux, **à l'exception du métal**.

La grande durabilité du grain de diamant garantit une faible usure et par conséquent une très longue durée de service, avec quasiment aucune modification du diamètre du disque pendant la durée de vie de celui-ci. Cela procure des performances de coupe constantes et par conséquent d'importantes économies. Les qualités exceptionnelles des disques facilitent la coupe.

Les disques d'entraînement métalliques permettent un fonctionnement très concentrique et des vibrations minimales. L'utilisation de disques de coupe diamant réduit considérablement la durée de coupe.

À terme, cela permet de réduire les frais de fonctionnement (consommation de carburant, usure des pièces, réparations et enfin dégradation de l'environnement).

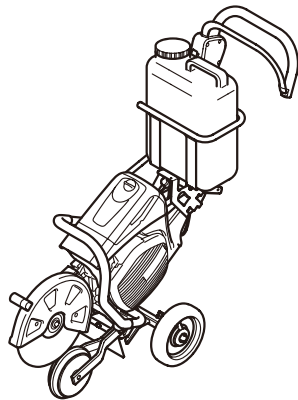
### Chariot de guidage

Le chariot de guidage MAKITA facilite considérablement la réalisation des coupes droites, tout en rendant la tâche moins difficile. Il peut être ajusté selon la taille de l'utilisateur et fonctionner avec l'accessoire de coupe monté au centre ou sur le côté.

Un limiteur de profondeur peut être ajouté pour faciliter encore la coupe et la rendre plus précise. Il permet de conserver une profondeur de coupe précise prédéfinie.

Pour repousser la poussière et faciliter le refroidissement du disque de coupe, MAKITA propose plusieurs options de mouillage du disque pendant son utilisation.

- Kit chariot  
Il est utile pour découper l'assiette de la route.
- Kit filtre  
Préfiltre (5 filtres)  
Filtre à air (1 filtre)  
Filtre du sac à poussière (1 filtre)



### Réservoir d'eau (composant du chariot)

Le réservoir d'eau doit être installé sur le chariot de guidage. Sa grande capacité convient particulièrement aux situations nécessitant des changements de site fréquents. Pour remplir ou remplacer rapidement un réservoir par un réservoir de secours, il vous suffit de soulever le réservoir pour le sortir du chariot. Le réservoir d'eau est fourni avec tous les raccords et flexibles nécessaires. L'installation sur le chariot et la découpeuse thermique est très rapide et simple.

### Réseau de distribution/dispositif d'eau sous pression

Le réseau de distribution/dispositif d'eau sous pression doit être monté sur la découpeuse thermique. Il peut être utilisé avec ou sans le chariot, mais il convient particulièrement aux applications impliquant une coupe manuelle stationnaire. La canalisation d'eau dispose d'une connexion pour libération rapide et peut être installée à partir d'une alimentation secteur ou d'un réservoir à pression (7). Le réseau d'alimentation en eau est fourni avec toutes les connexions et conduites requises. Il peut être monté rapidement et facilement sur la découpeuse thermique.

## Tableau d'entretien

Élément	Tâche	Périodicité
Huile moteur	Examiner/nettoyer	Avant d'utiliser l'outil
	Remplacer	Au départ, après 20 heures de fonctionnement et ensuite, toutes les 30 heures de fonctionnement
Meule, boulon tendeur, capot	Examiner visuellement	Avant d'utiliser l'outil
Système d'accélération	Vérifier le fonctionnement	Avant d'utiliser l'outil
Filtre à air	Tapoter doucement ou remplacer.	Mensuelle (toutes les 50 heures de fonctionnement)
Filtre du sac à poussière	Nettoyer ou remplacer.	Hebdomadaire (toutes les 20 heures de fonctionnement)
Préfiltre	Rincez les saletés grossières présentes dans l'eau courante ou remplacez puis appliquez l'huile.	Quotidienne (toutes les 8 heures de fonctionnement)
Bougie d'allumage	Examiner visuellement ... Nettoyer, ajuster ou remplacer	Effectuer au moment opportun
Courroie trapézoïdale	Examiner visuellement le niveau d'usure (veiller à ne pas appliquer de tension excessive au moment du remplacement).	Avant d'utiliser l'outil
Filtre du réservoir de carburant	Examiner visuellement et remplacer selon le niveau de saleté.	Effectuer au moment opportun
Écrous et boulons	Examiner visuellement et corriger.	Avant d'utiliser l'outil

- Veillez à utiliser les pièces et consommables d'origine indiqués.

## Résolution de pannes

Panne	Système	Observation	Cause
Le disque de coupe ne commence pas à tourner	Embrayage	Le moteur tourne	Embrayage endommagé
Le moteur ne démarre pas ou démarre difficilement	Système d'allumage Alimentation en carburant Système de compression Panne mécanique Embrayage	Étincelle d'allumage O.K. Pas d'étincelle d'allumage Réservoir de carburant plein Pas de compression lors de la mise en route Le démarreur ne s'enclenche pas La contamination adhère à l'embrayage et aux pièces environnantes	Panne de l'alimentation en carburant ou du système de compression, panne mécanique Interrupteur STOP commandé, panne de câblage ou court-circuit, bougie ou connecteur défectueux, module d'allumage défectueux Position incorrecte de l'étrangleur, carburateur défectueux, ligne d'alimentation en carburant courbée ou bloquée, carburant encrassé Joint inférieur du cylindre défectueux, joints d'étanchéité du vilebrequin endommagés, cylindre ou segments de piston défectueux ou mauvaise étanchéité de la bougie Ressort du démarreur cassé, pièces cassées à l'intérieur du moteur Le ressort de roue à cliquet est contaminé et ouvert : le faire nettoyer
Problèmes de démarrage à chaud	Carburateur	Réservoir plein, bougie d'allumage en place	Carburateur contaminé, nettoyez-le
Le moteur démarre mais s'éteint immédiatement	Alimentation en carburant	Réservoir rempli	Réglage incorrect du ralenti, tête d'aspiration ou carburateur contaminé(e) Prise d'air du réservoir de carburant défectueux, conduite d'alimentation en carburant interrompue, câble ou interrupteur STOP défectueux
Performances insuffisantes	Plusieurs systèmes peuvent être affectés simultanément	Mauvais ralenti du moteur	Filtre à air contaminé, carburateur contaminé, silencieux bouché, conduit d'échappement du cylindre bouché

## Dépannage

Avant d'envoyer votre machine en réparation, vérifiez si vous pouvez régler le problème vous-même. Si vous découvrez une anomalie, contrôlez votre machine selon les descriptions de ce mode d'emploi. Ne démontez et ne modifiez aucune pièce d'une manière contraire à la description. Pour toute réparation, contactez un agent d'entretien agréé ou un revendeur local.

Problème	Cause probable (dysfonctionnement)	Solution
Le moteur ne démarre pas	Oubli d'activation de la pompe d'amorçage	Appuyer 7 à 10 fois
	Tirage lent de la corde du démarreur	Tirer plus fort
	Panne d'essence	Faire le plein
	Filtre de carburant bouché	Nettoyer
	Tube de carburant cassé	Redresser le tube de carburant
	Carburant détérioré	Du carburant détérioré rend le démarrage plus difficile. Le remplacer par du carburant neuf. (Fréquence recommandée du remplacement : 1 fois par mois)
	Aspiration excessive du carburant	Régler le levier d'accélération de la vitesse moyenne à la vitesse élevée et tirer sur la poignée de démarrage jusqu'à ce que le moteur démarre. Une fois le moteur démarré, le disque de coupe commence à tourner. Faire très attention au disque de coupe. Si le moteur ne démarre toujours pas, retirer la bougie, sécher l'électrode et ré-assembler ces éléments comme ils l'étaient à l'origine. Ensuite, démarrer comme indiqué.
	Protecteur de bougie débranché	Le brancher solidement
	Bougie contaminée	Nettoyer
	Espacement anormal de la bougie	Régler l'espacement
	Autre problème de la bougie	Remplacer
	Carburateur anormal	Faire une demande d'examen et d'entretien.
	Impossible de tirer la corde de démarrage.	Faire une demande d'examen et d'entretien.
	Entraînement anormal	Faire une demande d'examen et d'entretien.
Embrayage et pièces environnantes contaminés	Nettoyer	
Le moteur s'arrête rapidement La vitesse du moteur n'augmente pas	Réchauffement insuffisant	Réchauffer le moteur
	Le levier d'étrangleur est en position « H » alors que le moteur est chaud.	Le régler sur « ON III »
	Filtre de carburant bouché	Nettoyer
	Filtre à air contaminé ou bouché	Nettoyer
	Carburateur anormal	Faire une demande d'examen et d'entretien.
	Entraînement anormal	Faire une demande d'examen et d'entretien.
Le disque de coupe ne tourne pas	Boulon de serrage du disque de coupe desserré	Le serrer correctement
↓ Arrêtez immédiatement le moteur	Entraînement anormal	Faire une demande d'examen et d'entretien.
Vibrations anormales de la machine	Disque de coupe cassé, tordu ou émoussé	Remplacer le disque de coupe
↓ Arrêtez immédiatement le moteur	Boulon de serrage du disque de coupe desserré	Le serrer correctement
Entraînement anormal	Entraînement anormal	Faire une demande d'examen et d'entretien.
Le disque de coupe ne s'arrête pas immédiatement	Rotation élevée au ralenti	Régler
↓ Arrêtez immédiatement le moteur	Timonerie d'accélérateur détachée	Faire une demande d'examen et d'entretien.
Entraînement anormal	Entraînement anormal	Faire une demande d'examen et d'entretien.
Le moteur ne s'arrête pas	Connecteur débranché	Le brancher solidement
↓ Faites tourner le moteur au ralenti et réglez le levier d'étrangleur en position « H »	Système électrique anormal	Faire une demande d'examen et d'entretien.

Lorsque le moteur ne démarre pas après avoir été réchauffé :

Si aucun problème n'apparaît après vérification, ouvrez l'étrangleur d'environ 1/3 et démarrez le moteur.



## Entreposage

### **AVERTISSEMENT :**

**Lors de la vidange du carburant, arrêtez toujours le moteur, laissez-le refroidir, puis vidangez le carburant.**

- Si vous vidangez directement le carburant après avoir arrêté le moteur, cela risque de produire des flammes et des brûlures.

### **ATTENTION :**

**Si vous prévoyez de ne pas utiliser la découpeuse thermique pendant une période prolongée, vidangez tout le carburant et rangez la découpeuse thermique dans un lieu sec et propre.**

- Pour vidanger le carburant du réservoir de carburant et du carburateur, procédez comme suit :

- (1) Retirez le bouchon du réservoir de carburant, purgez le carburant jusqu'à ce que le réservoir soit vide.  
À ce stade, vérifiez l'absence de corps étranger à l'intérieur du réservoir de carburant. Si vous trouvez des corps étrangers, retirez-les.
- (2) Utilisez un morceau de câble, etc., pour retirer le filtre de carburant du goulot du réservoir.
- (3) Appuyez sur la pompe d'amorçage jusqu'à ce que tout le carburant soit transféré dans le réservoir de carburant, puis n'oubliez pas de retirer l'ensemble du carburant présent dans le réservoir.
- (4) Remplacez le filtre à carburant dans le réservoir de carburant, puis resserrez fermement le bouchon du réservoir de carburant.
- (5) Enfin, faites tourner le moteur jusqu'à ce qu'il s'arrête.
- (6) Retirez la bougie, puis purgez les quelques gouttes d'huile moteur présentes dans l'orifice de la douille.
- (7) Tirez lentement sur la poignée de démarrage afin de faire circuler l'huile dans le moteur, puis remontez la bougie.
- (8) Placez le carburant purgé dans un récipient approprié et stockez-le dans un lieu abrité de la lumière et bien ventilé.

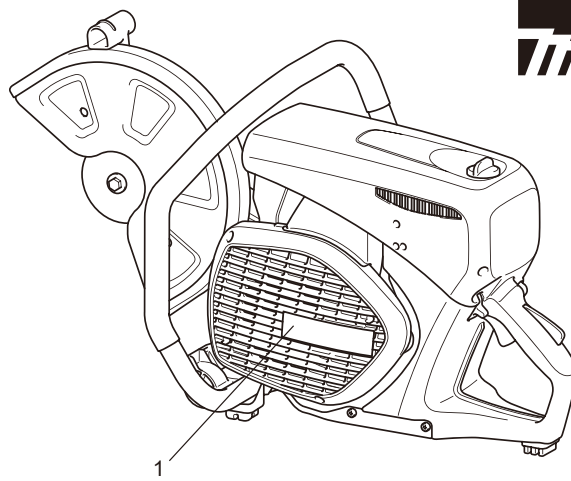
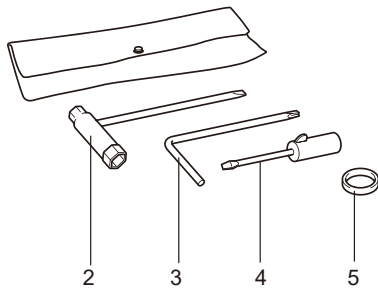
¡Gracias por su compra de un producto MAKITA!

¡Felicidades por haber escogido el cortador MAKITA! Confiamos en que usted estará satisfecho con este moderno equipo. Deseamos que se sienta satisfecho con su producto MAKITA. Para garantizar un funcionamiento y desempeño óptimos de su cortador, así como por su propia seguridad, consideramos necesario que proceda con lo siguiente:

**Lea esta manual de instrucciones con atención antes de utilizar el cortador por primera vez y ¡observe estrictamente las regulaciones de seguridad! ¡Hacer caso omiso de estas precauciones puede resultar en lesiones graves o letales!**



<b>Índice</b>	<b>Página</b>
<b>Inventario de artículos incluidos</b> .....	53
<b>Símbolos</b> .....	53
<b>MEDIDAS DE SEGURIDAD</b> .....	54
Precauciones generales.....	54
Equipo protector.....	54
Combustible / Reabastecimiento .....	55
Activación del equipo .....	55
Discos cortadores .....	56
Retroceso brusco y accionamiento trabado.....	57
Conducta laboral / Método de trabajo.....	57
Corte de metales.....	58
Corte de mampostería y concreto.....	58
Transporte y almacenamiento.....	59
Mantenimiento.....	60
Primeros auxilios.....	60
<b>Especificaciones técnicas</b> .....	61
<b>Denominación de componentes</b> .....	62
<b>PUESTA DEL EQUIPO EN OPERACIÓN</b> .....	63
Instalación del disco cortador.....	63
Apretamiento de la banda trapezoidal /	
Comprobación de la tensión de la banda trapezoidal .....	64
Antes de la operación .....	64
<b>Operación</b> .....	66
Arranque .....	66
<b>Ajuste del carburador</b> .....	67
<b>MANTENIMIENTO</b> .....	67
Banda trapezoidal .....	68
Limpieza del capó protector.....	68
Limpieza / cambio del filtro de aire.....	69
Mantenimiento de la bujía de encendido .....	70
Reemplazo de la cabeza de succión .....	70
Limpieza del arrancador.....	71
Cambio de la posición del aditamento de corte	
(posición al centro / lateral) .....	72
<b>ACCESORIOS ESPECIALES</b> .....	73
Discos cortadores de diamante.....	73
Carretón guía .....	73
Tanque de agua (componente del carretón) .....	73
Sistema de agua por tubería / a presión.....	73
<b>Tabla de mantenimiento</b> .....	74
<b>Determinación de fallas</b> .....	74
<b>Resolución de problemas</b> .....	75
<b>Almacenamiento</b> .....	76



1. Cortador
2. Llave combinada 13/19 AF
3. Llave de estrella
4. Destornillador para ajustes del carburador
5. Anillo adaptador (puede que para algunos países las herramientas no requieran este anillo).
6. Manual de instrucciones (no se muestra)

Por favor consulte con su agente de ventas en caso de que alguna de las partes no esté incluida en el inventario de artículos arriba mencionados.

## Símbolos

Usted se percatará de los siguientes símbolos tanto en el equipo, como en el manual de instrucciones.

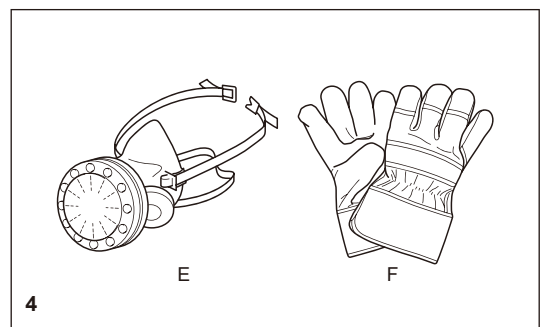
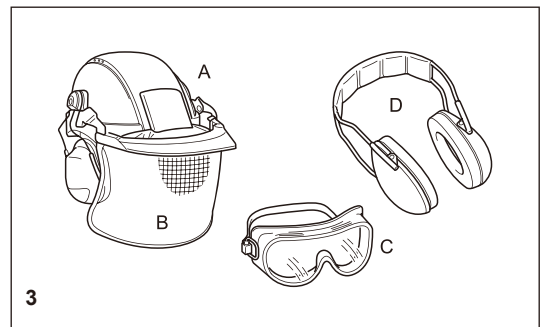
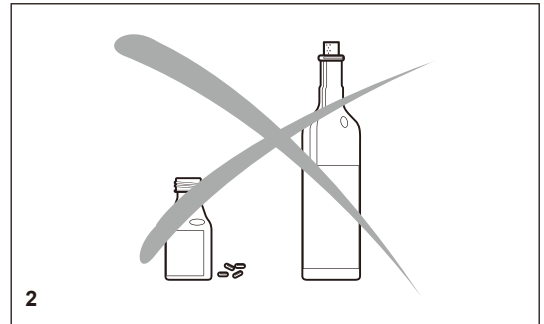
	¡Lea el manual de instrucciones y observe las advertencias y precauciones de seguridad!		⚠️ <b>ADVERTENCIA:</b> ¡la velocidad periférica máxima del disco cortador es de 80 m/s!
	¡Con particular cuidado y precaución!		Dimensiones del disco cortador
	¡Prohibido!		Encendido manual del motor
	Use casco protector, así como equipo protector para los ojos y los oídos.		¡Interrumpa y apague el motor!
	¡Use guantes protectores!		¡Advertencia! ¡Retrceso brusco!
	¡No fumar!		Combustible (Gasolina)
	¡No al fuego activo!		Primeros auxilios
	Dirección de rotación del disco cortador		

## Precauciones generales

- El operador **DEBE leer este manual de instrucciones para asegurar una operación segura (incluso si usted ya cuenta con experiencia en herramientas de corte)**. Es importante familiarizarse con la operación de este modelo en particular. Los usuarios sin suficiente conocimiento se pondrán en una situación de peligro a sí mismos y a otras personas debido a un manejo inadecuado.
- Sólo permita que personas con experiencia en el uso de sierras de corte operen este equipo. Es necesario incluir este manual junto con el equipo al momento de entregarlo para dejar que otra persona lo utilice.
- Los usuarios primerizos deberán consultar con un especialista para que les instruya en el uso de sierras de corte a gasolina.
- Los niños y personas menores de 18 años de edad no deberá permitírseles usar este cortador. Sin embargo, puede que personas mayores de 16 años usen el cortador con fines de entrenamiento siempre y cuando estén bajo la supervisión de un instructor calificado.
- La operación del cortador requiere de un alto nivel de concentración.
- Opere el cortador sólo si usted se encuentra en buena condición física. Si siente cansancio, su atención se verá afectada. Tenga especial atención al final de la jornada laboral. Realice todo el trabajo tranquila y cuidadosamente. El usuario tiene que aceptar la obligación de responsabilidad por los demás.
- Nunca trabaje mientras se encuentre bajo los efectos de alcohol, drogas, medicamentos u otras sustancias las cuales puede que afecten la visión, la destreza o el juicio.
- Se debe contar con un extinguidor de incendios dentro de una proximidad inmediata.
- El asbesto y otros materiales que pueden liberar toxinas podrán cortarse sólo cuando sea necesario tomando las medidas de precaución y seguridad, y tras haber hecho la notificación a las autoridades competentes y bajo su supervisión, o bajo la supervisión de una persona designada por ellos.

## Equipo protector

- **Para evitar lesiones en la cabeza, ojos, manos o pies, así como para proteger su audición, se requiere el uso del siguiente equipo protector y prendas protectoras durante la operación del cortador.**
- El tipo de vestimenta a ser utilizada debe ser apropiada, por ejemplo, debe quedar lo suficientemente ajustada para que no se convierta en un estorbo. No se deberá usar vestimenta en la que se puedan acumular residuos del material cortado, como pantalones con la bastilla doblada hacia arriba, así como chaquetas y pantalones con bolsillos de amplia apertura, entre otros, especialmente al cortar metal.
- No use joyería ni prendas de vestir que puedan engancharse o que distraigan su atención al usar el cortador.
- Durante la operación del cortador, es necesario usar un casco protector siempre. El **casco protector (A)** debe ser revisado durante intervalos periódicos para ver si tiene daños y debe reemplazarse a los 5 años a más tardar. Use sólo cascos protectores aprobados.
- El **visor (B)** del casco protege el rostro del polvo y residuos de materiales. Use **gafas protectoras (C)** o visor siempre para prevenir lesiones a los ojos y al rostro al usar el cortador.
- Use **protección auricular** adecuada siempre para prevenir daños a los oídos (orejeras (D), tapones para los oídos, etc.). Análisis de la octava de sonido disponible bajo petición.
- Se deberá usar **protección respiratoria (E)** siempre durante el corte en seco de materiales generadores de polvo, como piedra o concreto.
- **Los guantes de trabajo (F)** de cuero resistente son parte del equipo de trabajo para usar el cortador y deberán usarse siempre al usar el equipo.



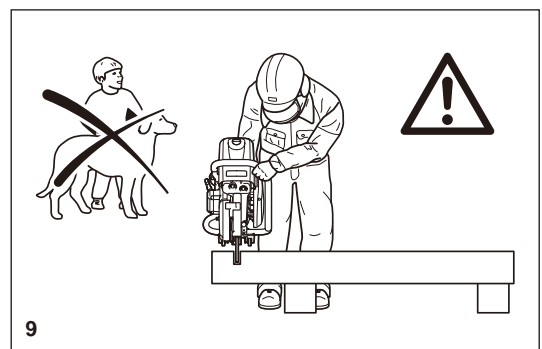
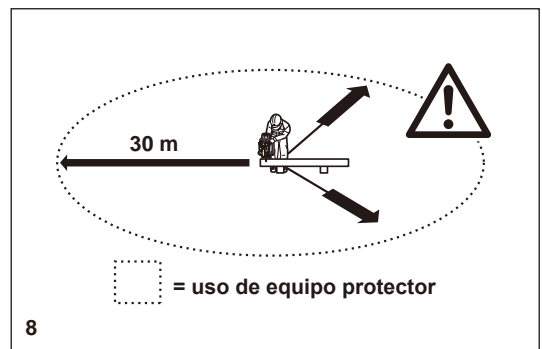
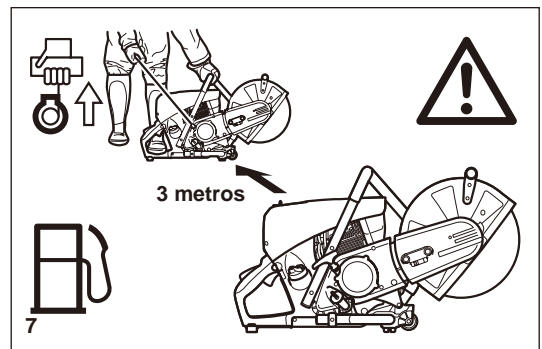
- Use **zapatos o botas de seguridad** (G) reforzados con punta de acero, suela antiderrapante, al igual que protector para las piernas al usar el cortador. El calzado de seguridad equipado con capa protectora protege contra cortes y asegura un pisado firme.
- Use un **traje de trabajo resistente** (H) siempre.

## Combustible / Reabastecimiento

- Al reabastecer combustible, busque hacerlo en un lugar seguro y plano. **¡Nunca reabastezca el combustible mientras se encuentre en andamios, sobre montones de material ni circunstancias similares!**
- Apague el motor antes de reabastecer el combustible del cortador.
- No fume ni trabaje cerca de fuego activo (6).
- Deje enfriar el motor antes de reabastecer el combustible.
- Puede que el combustible contenga sustancias similares a los disolventes. Los productos minerales y del petróleo no deberán entrar en contacto con los ojos y la piel. Use siempre un par de guantes para proteger la piel de sus manos al reabastecer el combustible (¡que no sean sus guantes habituales de trabajo!). Limpie y cambie de vestimenta protectora con frecuencia. Evite inhalar los vapores del combustible. La inhalación de éstos puede ser peligroso para su salud.
- No derrame combustible. Si ocurre un derrame, limpie inmediatamente el cortador. El combustible no deberá entrar en contacto con la vestimenta. Cambie de vestimenta al instante si ésta ha entrado en contacto con el combustible.
- Asegúrese de que el combustible no transpire y termine en el suelo (protección ambiental). Utilice una base adecuada.
- El reabastecimiento de combustible no está permitido en lugares cerrados. Los vapores se acumularán próximos al nivel del suelo (peligro de explosión).
- Asegúrese de enroscar con firmeza la tapa del tanque de combustible.
- Antes de arrancar el motor, desplácese a un lugar que quede por lo menos 3 metros (aprox. 3,25 yardas) alejada del lugar en donde reabasteció el combustible del cortador (7), sin que quede dentro del rango de alcance extendido del disco cortador (dirección de las chispas).
- El combustible no puede almacenarse por tiempo ilimitado. Adquiera sólo la cantidad que planea consumir en el futuro de corto plazo.
- Use sólo contenedores aprobados y marcados para el transporte y almacenamiento de combustible.
- **¡Mantenga el combustible alejado y fuera del alcance de los niños!**

## Activación del equipo

- **No trabaje solo por su cuenta. Deberá haber alguien más alrededor en caso de una emergencia (dentro de una distancia en la que se pueda escuchar un grito).**
- Observe todas las normas contra el ruido al trabajar en zonas residenciales.
- **¡Nunca use el cortador cerca de sustancias inflamables ni gases explosivos! ¡El cortador puede generar chispas que pueden resultar en un incendio o explosión!**
- Asegúrese de que todas las personas dentro de un rango de 30 metros (33 yardas) alrededor, como los compañeros de trabajo, estén usando equipo protector (refiérase a "Equipo protector") (8). Los niños y las demás personas que no estén autorizadas deben permanecer a más de 30 metros alejadas del área de trabajo. También se deberá estar atento de las mascotas y animales (9).
- **Antes de iniciar el trabajo, el cortador deberá revisarse para ver que su funcionamiento está en perfectas condiciones y que cumpla con las medidas de seguridad correspondientes.**  
En particular, asegúrese de que el disco cortador se encuentre en buenas condiciones (reemplácelo de inmediato si nota que está rasgado, dañado o con alguna deformidad), que éste se encuentre adecuadamente instalado, que el capó protector esté colocado como corresponde, que el protector para manos se encuentre correctamente puesto, que la banda trapezoidal tenga la tensión indicada, que el acelerador se mueva con facilidad y que las empuñaduras estén limpias y secas, al igual que el interruptor de combinación funcione apropiadamente.
- Encienda el cortador sólo tras haber completado su ensamble e inspección. Nunca use el cortador sin que se encuentre completamente ensamblado.



## Discos cortadores

- ¡El capó protector siempre debe estar colocado! ¡Reemplace los discos sólo con el motor apagado!
- Hay dos tipos básicos de discos cortadores:
  - Para metal (corte caliente)
  - Para mampostería (corte frío)

### NOTA:

Al usar discos cortadores de diamante, asegúrese siempre de observar las marcas de "dirección de rotación". Los discos de diamante deberán usarse sólo para cortar mampostería, como ladrillo y concreto, entre otros materiales similares.

- Los discos cortadores están diseñados sólo para carga radial, es decir, para cortar.
  - ¡No use las caras del disco cortador para esmerilar! ¡Esto romperá el disco (10)!

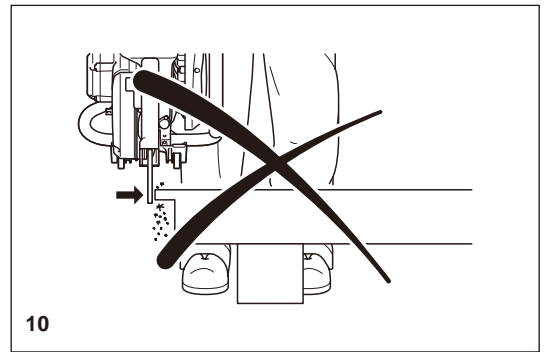
### ⚠ PRECAUCIÓN:

¡Nunca cambie la dirección (radio de giro menor a 5 metros / 5,5 yardas), la presión lateral ejercida, ni la punta del cortador durante la operación de corte (11)!

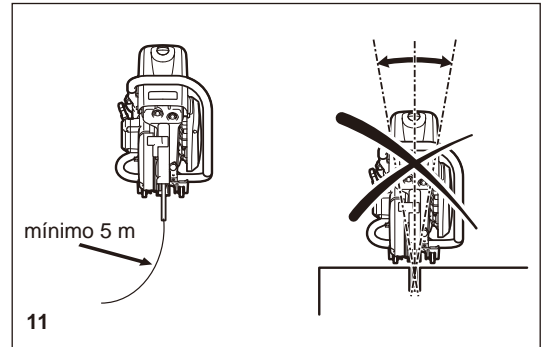
- Use un disco cortador sólo para cortar los materiales para los que fue diseñado. El tipo adecuado de disco debe ser usado, ya sea para metales o mampostería.
- El orificio del eje (diámetro / calibre) del disco cortador deberá ajustarse al eje de forma exacta. Si el orificio del eje es mayor que el diámetro del eje, se deberá usar un anillo espaciador (accesorio).
- Use sólo discos cortadores aprobados por la DSA (Comité Alemán de Discos Abrasivos) u organismo equivalente para el corte a pulso de hasta 4 370 r/min (= 80 m/s en circunferencia) para discos de 14" / 355 mm, o de hasta 5 100 r/min (= 80 m/s en circunferencia) para discos de 12" / 300 mm.
- El disco debe estar completamente libre de defectos (12). No use discos cortadores defectuosos.

**Apriete siempre el perno de instalación del disco cortador a una torsión de 30 N·m. De otra manera, el disco cortador se puede torcer.**

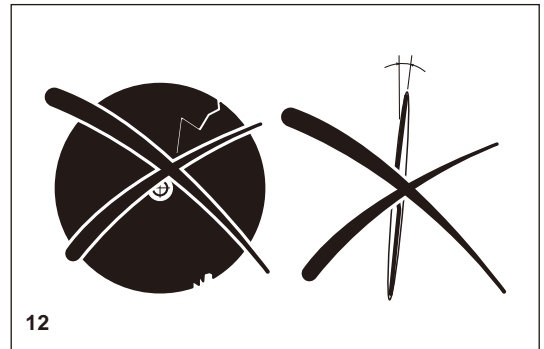
- Antes de accionar el disco cortador, asegúrese de estar pisando el suelo firmemente.
- Opere el cortador sólo como se describe en este manual de instrucciones (13). Coloque siempre su pie izquierdo en el mango trasero y sujete el otro mango con firmeza (asir con todos los dedos y el pulgar). No está permitido emplear otros métodos para encender el equipo.
- Al encender el cortador, éste deberá estar bien apoyado y se debe sujetar con firmeza. El disco cortador deberá no estar en contacto con nada.
- Si el disco cortador es nuevo, sométalo a prueba al dejarlo correr por lo menos 60 segundos a velocidad máxima. Al hacer esto, asegúrese de que no haya personas ni partes del cuerpo que estén expuestas al rango de alcance extendido del disco, por si acaso está defectuoso y sale proyectado al zafarse.
- **Utilice ambas manos para sujetar el cortador siempre que trabaje con éste.** Sujete el mango trasero con la mano derecha y el mango tubular con la mano izquierda. Sujete los mangos con firmeza usando toda la mano de tal forma que los dedos se empuñen contra el pulgar.
- **PRECAUCIÓN: Al liberar la palanca de aceleración, el disco continuará girando durante un breve momento** (efecto de giro libre).
- Asegúrese de estar pisando firmemente el suelo de forma continua.
- Sujete el cortador de tal forma que no inhale el gas expedido. No trabaje en lugares cerrados ni en lugares confinados como fosas o zanjas profundas (peligro de envenenamiento por los vapores).
- **Apague el cortador inmediatamente si observa cualquier cambio en la función operativa.**
- **Apague el motor antes de inspeccionar o apretar la tensión de la banda trapezoidal, reemplazar el disco cortador, reacomodar el aditamento cortador** (posición lateral o al centro) **o arreglar fallas** (14).
- Apague el motor de inmediato y revise el disco si escucha o siente cualquier cambio en la función operativa.
- Apague el cortador cuando tome un descanso o interrumpa el trabajo (14). Coloque el equipo de tal forma que el disco no haga contacto con nada, ni pueda poner a nadie en peligro.
- No coloque el cortador sobrecalentado sobre césped seco ni sobre ningún material inflamable. El mofle alcanza temperaturas muy calientes (peligro de incendio).
- **IMPORTANTE:** Tras la operación del corte con agua, primero descontinúe el suministro de agua y luego deje correr el disco por al menos 30 segundos para que se despoje del agua y así se prevenga la corrosión.



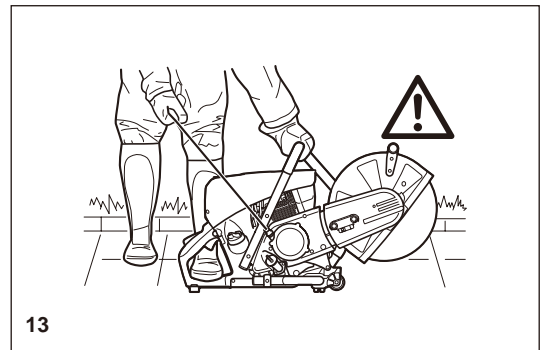
10



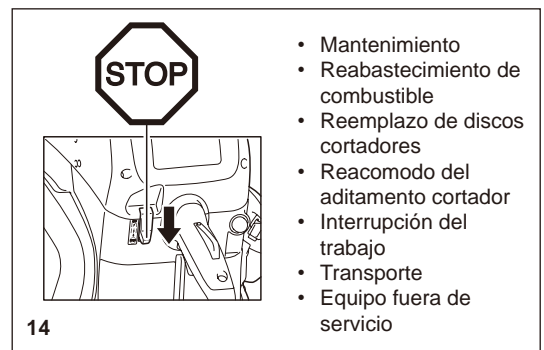
11



12



13



14



## Retroceso brusco y accionamiento trabado

- Al trabajar con el cortador se corre el riesgo de experimentar retrocesos bruscos y accionamiento trabado.
- Los retrocesos bruscos suceden cuando la parte superior del disco cortador se usa para el corte (15).
- Esto provoca que el cortador se propulse contra el usuario con gran intensidad y descontrol. **¡Riesgo de lesión!**

**Para prevenir retrocesos bruscos, tome las medidas siguientes:**

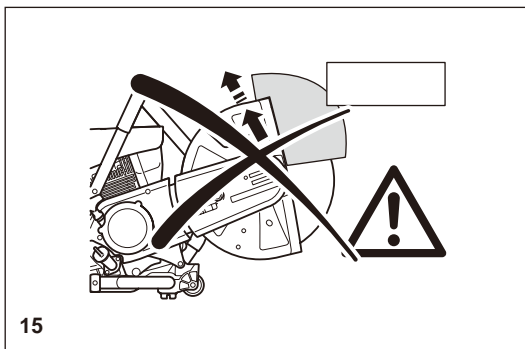
- Nunca corte con la sección del disco cortador ilustrada en la figura 15. **¡Tenga especial cuidado al reinsertar el disco en cortes que ya se hayan comenzado!**
- El accionamiento trabado ocurre cuando el corte se estrecha (cuartear o pieza de trabajo bajo tensión).
- Esto causa que el cortador de repente se propulse hacia adelante sin control y con gran intensidad. **¡Riesgo de lesión!**

**Para prevenir accionamiento trabado, tome las medidas siguientes:**

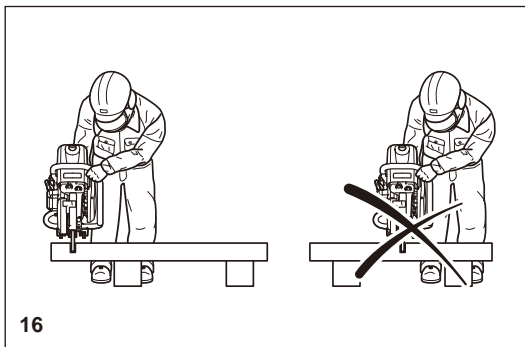
- Al reinsertar el disco en cortes previamente hechos, espere a que el cortador alcance velocidad máxima. Siempre corte a velocidad máxima.
- Siempre apoye la pieza de trabajo de tal forma que el corte esté bajo tensión (16), para que el corte no se estreche trabando el disco cortador a medida que avance a través del material cortado.
- Al iniciar un corte, aplique el disco a la pieza de trabajo con atención y cuidado. No lo inserte simplemente en el material.
- ¡Nunca corte más de una pieza a la vez! Al cortar, asegúrese de que no entre en contacto con alguna otra pieza de trabajo.

## Conducta laboral / Método de trabajo

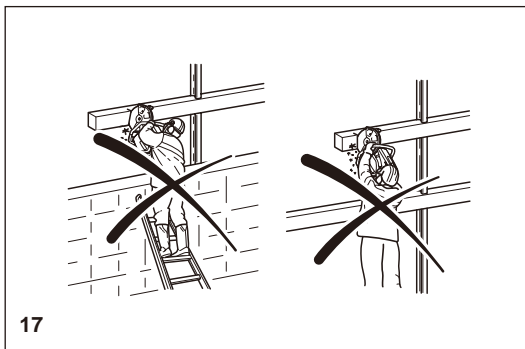
- Antes de empezar a trabajar, compruebe la presencia de cualquier peligro en el área de trabajo (cables eléctricos, sustancias inflamables). Delimite con claridad la sección del área del trabajo (por ejemplo, mediante el uso de señales de advertencia o acordonando para restringir el paso dentro del área).
- Al trabajar con el cortador, sujételo con firmeza por el mango delantero y mango trasero. ¡Nunca deje el cortador desatendido!
- Siempre que sea posible, ejecute el cortador a la velocidad clasificada de eje (refiérase a "Especificaciones técnicas").
- Use el cortador sólo durante periodos con buena iluminación y visibilidad. Esté atento de áreas mojadas o resbalosas, así como del hielo y la nieve (riesgo de resbalones).
- Nunca trabaje sobre superficies inestables. Asegúrese de que no haya obstáculos en el área de trabajo, para evitar el riesgo de tropezos. Asegúrese siempre de pisar firmemente el suelo.
- No haga cortes por encima de la altura de sus hombros (17).
- No haga cortes al estar en una escalera, ni sobre alguna plataforma (17).
- Nunca use el cortador mientras esté en andamios.
- No se exceda en su alcance al estar trabajando. Tanto para colocar el equipo en el suelo, como para recogerlo, use las rodillas para agacharse en lugar de flexionarse desde la cintura. ¡Proteja su espalda!
- Guíe el cortador de tal manera que no exponga ninguna parte de su cuerpo dentro del rango de alcance extendido del disco (18).
- ¡Use los discos cortadores para cortar sólo el material para los que están diseñados!
- No use el cortador como pala para levantar o despejar materiales y otros objetos. **¡Importante!** Antes de proceder con operaciones de corte, despeje el área de corte de objetos ajenos como piedras, grava, clavos, etc. De otra manera, dichos objetos podrían salir proyectados por el disco a gran velocidad. **¡Peligro de lesiones!**
- Use un apoyo estable y firme al cortar por todo el largo de la pieza de trabajo. De ser necesario, fije la pieza de trabajo para que no se deslice, pero no la detenga con el pie ni pida que otra persona la sujete.
- Al hacer cortes de piezas redondas, fije siempre la pieza para evitar que ésta gire.
- Al estar guiando el cortador con la mano, use la posición de montura lateral del aditamento cortador sólo cuando sea realmente necesario. De otra forma, use siempre la posición al centro. Esto brinda una mejor estabilidad al equipo, reduciendo la fatiga del operador.



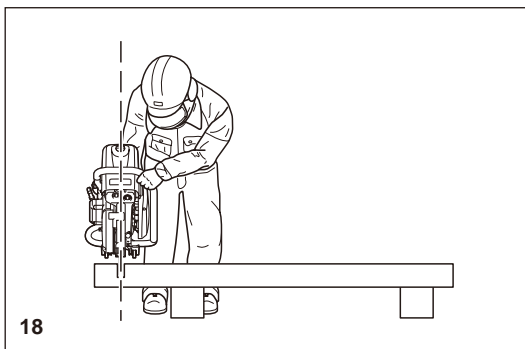
15



16



17



18



## Corte de metales

### ⚠ ¡IMPORTANTE!

¡Use siempre protección respiratoria aprobada!

Los materiales que pueden liberar sustancias tóxicas podrán cortarse sólo tras notificar a las autoridades competentes y bajo su supervisión, o bajo la supervisión de la persona designada por ellos.

### ⚠ PRECAUCIÓN:

La rotación veloz del disco cortador calienta el metal y lo derrite en el punto de contacto. Baje el protector tanto como sea posible por detrás el corte (19) para dirigir el flujo de chispas hacia adelante, fuera del operador (peligro de incendio).

- Determine la dirección de corte, marque el corte y aplique el disco al material a velocidad moderada para hacer una ranura de guía, antes de ajustar a velocidad máxima y ejercer mayor presión en el cortador.
- Mantenga el disco recto y vertical. No lo incline, pues con ello podría romperlo.
- La mejor forma de conseguir un corte bien hecho y limpio es mediante el movimiento hacia adelante y hacia atrás del cortador (empujar y retraer ligeramente el disco mientras se realiza el corte). No se limite a simplemente presionar el disco en el material.
- El material redondo grueso es mejor cortado por etapas (20).
- La tubería delgada puede cortarse con un simple corte hacia abajo.
- Corte tubos de gran diámetro como se corta el material redondo grueso. Para prevenir la inclinación y para un mejor control, no deje que el disco se sumerja demasiado en el material. En su lugar, procure cortar superficialmente por alrededor de toda la circunferencia de la pieza.
- Los discos gastados tienen un diámetro menor que los discos nuevos, por lo que a una misma velocidad, ofrecerán una velocidad circunferencial menor y por lo tanto no cortarán con la misma efectividad.
- Corte las vigas-I y las barras-L en pasos; ver Figura 21.
- Corte las bandas y las placas (láminas) como se cortan los tubos: a través del lado ancho con un corte largo.
- Al cortar material bajo tensión (material apoyado o material en estructuras), realice siempre una ranura en el lado de compresión (el lado presionado), y luego corte desde el lado en donde se ejerce la tensión, de tal forma que el disco no quede en accionamiento trabado. ¡Asegure el material cortado que caerá!

### ⚠ PRECAUCIÓN:

Si hay alguna probabilidad de que el material se encuentre bajo tensión, prepárese para una reacción de retroceso brusco en éste. ¡Asegúrese que usted se pueda quitar en caso de que tenga que hacerlo!

Tenga particular cuidado en lugares donde se almacena chatarra, lugares donde ocurrió algún accidente y en puntos aleatorios donde se amonte material. Las piezas con inestabilidad o bajo tensión pueden responder de formas impredecibles, y pueden que se deslicen, salten o revienten. ¡Asegure el material cortado que caerá! Proceda siempre con extrema precaución y use sólo equipo que se encuentre en perfectas condiciones.

Observe las normas y reglas para la prevención de accidentes de su empleador y/o compañía de seguros.

## Corte de mampostería y concreto

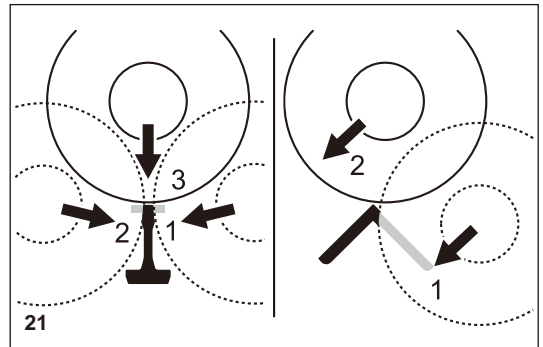
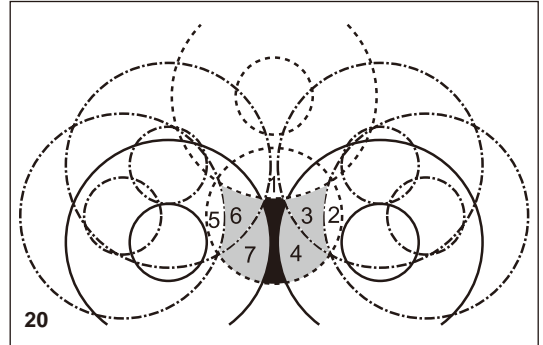
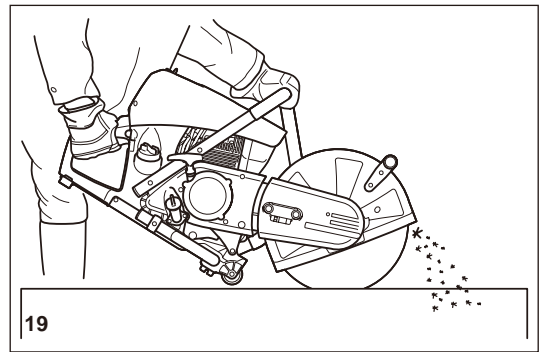
### ¡IMPORTANTE!

¡Use siempre protección respiratoria aprobada!

El asbesto y otros materiales que pueden liberar sustancias tóxicas podrán cortarse sólo tras notificar a las autoridades competentes y bajo su supervisión, o bajo la supervisión de la persona designada por ellos. Al cortar hormigón pretensado y concreto reforzado, siga las instrucciones y normativas de las autoridades competentes, o del integrante estructural del constructor. Las barras de refuerzo deben ser cortadas en la secuencia prescrita y de acuerdo con las regulaciones aplicables de seguridad.

### NOTA:

La argamasa, la piedra y el concreto generan polvo en grandes cantidades durante el corte. Para incrementar el tiempo de vida del disco cortador (mediante el enfriamiento), así como para mejorar la visibilidad y evitar la generación excesiva de polvo, recomendamos contundentemente el corte con agua en lugar del corte en seco.



En el corte con agua, el disco se moja por ambos lados a una tasa constante mediante un chorro de agua. MAKITA ofrece los accesorios adecuados para las aplicaciones de corte con agua (vea también "ACCESORIOS ESPECIALES").

- Despeje el área de trabajo de objetos ajenos como piedras, clavos y arena.

**PRECAUCIÓN: ¡esté atento del cableado y extensiones eléctricas!**

**La rotación veloz del disco cortador arroja fragmentos en el punto de contacto en la hendidura a gran velocidad. Por su seguridad, baje el capó protector tanto como sea posible por detrás el corte (23), de tal forma que los fragmentos del material se arrojen hacia adelante, fuera del operador.**

- Marque el corte y luego haga una ranura de unos 5 mm (poco menos de 0,2") a través de toda la longitud del corte planeado. Esta ranura luego será la guía para el cortador durante el corte real para hacerlo con precisión.

#### NOTA:

Para cortes largos y rectos recomendamos usar un carretón (24, vea también "ACCESORIOS ESPECIALES"). Esto facilita mucho guiar el equipo en línea recta.

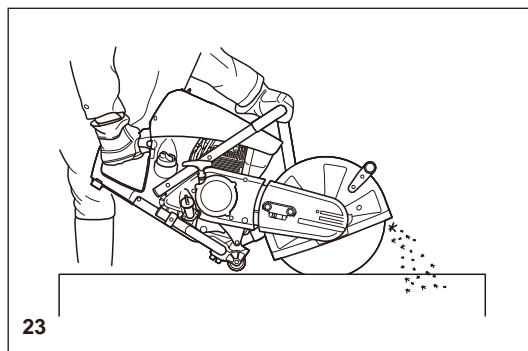
- Realice el corte con movimientos firmes hacia adelante y hacia atrás (empujar y retraer el equipo).
- Al cortar losas a cierto tamaño, necesita evitar que el corte sea a través de todo el grueso del material (lo cual generará polvo innecesario). En su lugar, simplemente haga una ranura superficial y luego golpetee el excedente con un impacto seco sobre una superficie plana (25).

#### ¡CUIDADO!

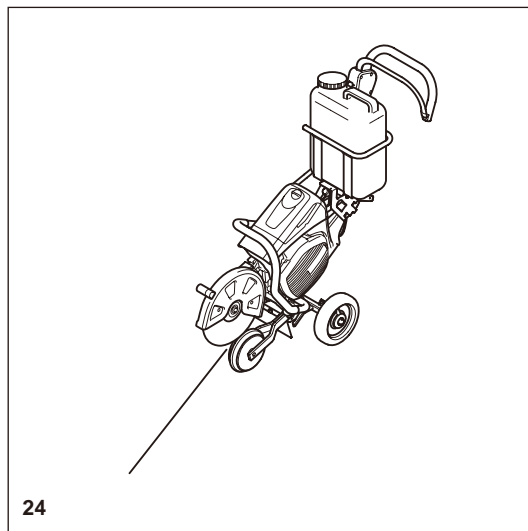
Al hacer cortes en longitudes, así como al cortar material o hacer recortes, etc., asegúrese siempre de planear la dirección y secuencia de los cortes de tal forma que el disco no se atasque en la pieza recortada, y que no haya personas que se lesionen con las piezas que caigan.

### Transporte y almacenamiento

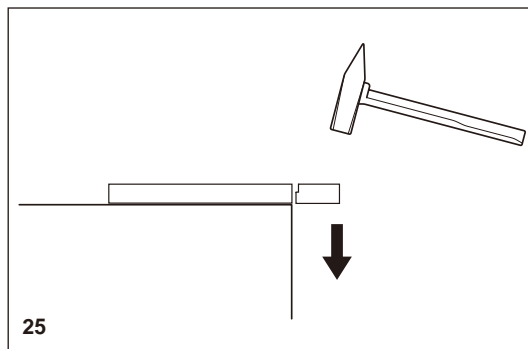
- **Apague siempre el cortador cuando lo esté transportando o moviendo de un lugar a otro en un sitio de trabajo (26).**
- **¡Nunca cargue o mueva el equipo con el motor encendido o con el disco girando!**
- Cargue el equipo solo por el mango tubular (parte central del mango) con el disco apuntando hacia atrás de usted (26). Evite tocar el mofle de escape (¡peligro de quemaduras!).
- Use una carretilla o carreta de mano al trasladar el cortador a grandes distancias.
- Al transportar el cortador en un vehículo, asegúrese que quede fijo y seguro de tal forma que el combustible no se pueda fugar. Quite el disco siempre antes de transportar el equipo en un vehículo.
- El cortador deberá almacenarse de forma segura en un lugar seco. ¡No se debe dejar al aire libre! Desinstale siempre el disco cortador antes de almacenar el equipo. Mantenga el cortador fuera del alcance de los niños.
- **Antes de almacenar por largo plazo y antes de hacer un envío del cortador, siga las instrucciones que se indican en el capítulo sobre "Almacenamiento". Vacíe SIEMPRE el tanque del combustible y vea que el carburador quede seco.**
- Al almacenar los discos cortadores, tenga cuidado al:
  - Limpiar y secarlos bien.
  - Almacenarlos de forma plana cara abajo.
  - Evitar humedad, temperaturas congelantes, exposición directa al sol, temperaturas elevadas y fluctuaciones de la temperatura, pues esto puede causar roturas y astillas.
- **Compruebe siempre la condición de los discos cortadores nuevos o discos cortadores almacenados para asegurarse que no presenten ningún defecto.**



23



24



25



26

## Mantenimiento

- **Apague el cortador antes de realizar servicio de mantenimiento (27) y quite la tapa de la bujía.**
  - Compruebe las condiciones del cortador siempre antes de usarlo para asegurar que se encuentra en buen estado. Particularmente, asegúrese que el disco cortador se encuentre correctamente instalado. Asegúrese que el disco cortador no esté dañado y esté en condiciones aptas para la labor para la cual se usará.
  - Use el cortador sólo a un nivel bajo de ruido y emisiones. Para esto, asegúrese que el carburador esté correctamente ajustado.
  - Limpie el cortador habitualmente.
  - Compruebe que la tapa del tanque de combustible selle bien.
- Observe las indicaciones para la prevención de accidentes emitidas por las asociaciones de comercio y compañías de seguros. ¡NUNCA realice alguna modificación al cortador! ¡Con ello sólo estaría poniendo su propia seguridad en riesgo!**

Realice sólo el servicio de mantenimiento y reparación que se describe en este manual de instrucciones. Toda labor de reparación y mantenimiento adicional al descrito aquí deberá llevarse a cabo por Servicio de MAKITA (28).

Use sólo piezas de repuesto y accesorios originales de MAKITA.

El uso de piezas de repuesto, accesorios o discos cortadores que no sean de MAKITA aumentará el riesgo de accidentes. No podemos aceptar responsabilidad alguna por accidentes o daños ocurridos que estén relacionados con el uso de discos cortadores o accesorios que no sean originales de MAKITA.



27



SERVICIO

28

## Primeros auxilios (29)

Asegúrese de contar con acceso inmediato y cercano a un juego de primeros auxilios. Reemplace inmediatamente cualquier artículo que haya utilizado.

**Al pedir ayuda, proporcione la siguiente información:**

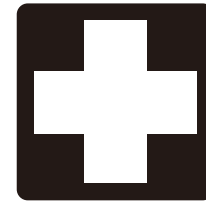
- Lugar del accidente
- Lo sucedido
- Número de personas lesionadas
- Tipo de lesiones
- ¡Su nombre!

### NOTA:

Puede que las personas con deficiencia en su circulación sanguínea que estén expuestas a vibración excesiva sufran de lesiones en los vasos sanguíneos o el sistema nervioso.

Puede que la vibración cause los siguientes síntomas generados en los dedos, manos o muñecas: Entumecimiento (adormecimiento de las partes del cuerpo), sensación de hormigueo, dolor y punción, así como alteraciones de la piel o del color de ésta.

**¡Acuda a su médico si experimenta cualquiera de estos síntomas!**



29

## Especificaciones técnicas

Artículo		Modelo	EK7650H		EK7651H/EK7651HG	
Motor	Desplazamiento	cm <sup>3</sup>	75,6 cm <sup>3</sup>			
	Calibre (diámetro)	mm	51 mm			
	Ciclo	mm	37 mm			
	Potencia máxima	kW	3,0 kW			
	Torsión máxima	N·m	4,6 N·m			
	Velocidad en estado de marcha sin carga	r/min	2 600 r/min			
	Embrague		Sistema auto centrífugo			
	Limitación de velocidad del motor	r/min	9 100 r/min			
	Velocidad máxima de eje	r/min	4 300 r/min			
	Carburador		Tipo diafragma			
	Sistema de encendido (con limitación de velocidad)		Tipo magnético, sin contacto			
	Bujía de encendido	Tipo	NGK CMR6H			
	Separación de electrodos	mm	0,5 mm			
	Sistema de arranque		Sistema de retroimpacto			
	Consumo de combustible a carga máxima según ISO 8893	kg/h	1,2 kg/h			
	Consumo de combustible específico a carga máxima según ISO 8893	g/kWh	400 g/kWh			
	Combustible		Gasolina para automóvil			
	Capacidad del tanque de combustible	l	1,1 L			
	Lubricante (aceite para motor)		Aceite SAE 10W-30 grado API de clase SF o superior (aceite para motor de automóvil a 4 tiempos)			
Cantidad de lubricante	l	0,22 L				
Disco cortador para 80 m/s o superior <sup>1)</sup> (Aprobado por DSA): dimensiones	mm	300 mm / 20 mm / 5 mm <sup>2)</sup>	300 mm / 25,4 mm / 5 mm <sup>2)</sup>	350 mm / 20 mm / 5 mm <sup>2)</sup>	350 mm / 25,4 mm / 5 mm <sup>2)</sup>	
Diámetro del mandril	mm	20,0 mm	25,4 mm	20,0 mm	25,4 mm	
Diámetro del eje	mm	17 mm		17 mm o 25,4 mm <sup>3)</sup>		
Diámetro mínimo de la brida	mm	102 mm				
Profundidad máxima de corte	mm	97 mm		122 mm		
Dimensiones del cortador (longitud total × amplitud total × altura total)		761 mm x 310 mm x 435 mm		780 mm x 310 mm x 455 mm		
Banda trapezoidal, número:	N°	225094-6				
Peso total (tanque vacío y sin disco cortador)	kg	12,7 kg		12,9 kg		

1) Velocidad de circunferencia a velocidad máxima del motor

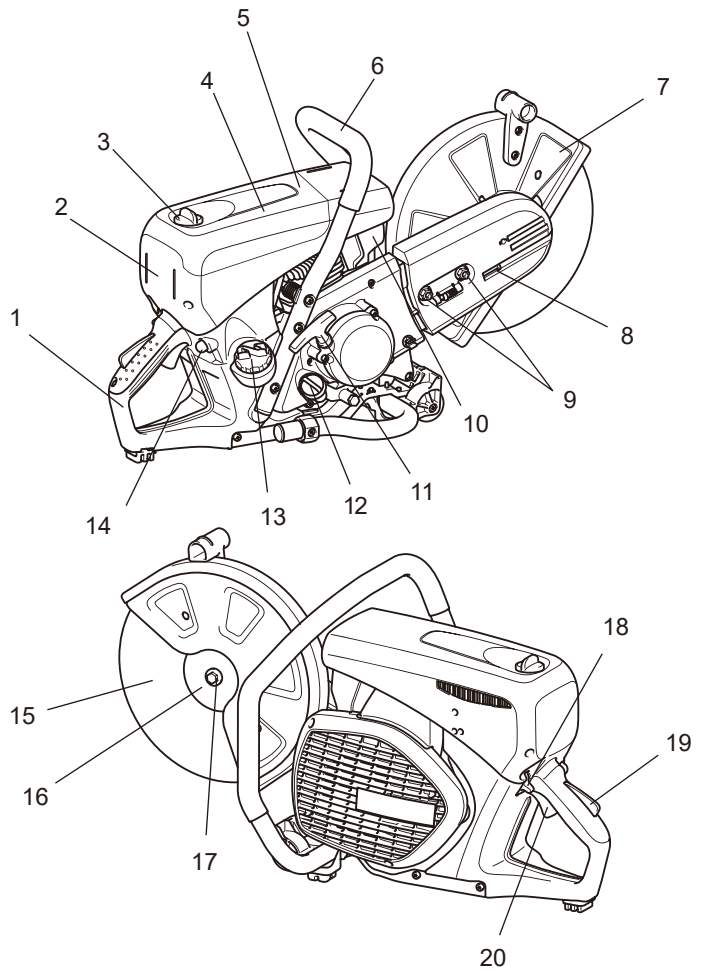
2) Diámetro exterior / orificio de mandril / grosor

3) Específico al país

EK7651HG: Este modelo (E20 y E25) está adaptado para usarse con gasolina brasileña.

## Denominación de componentes

1. Mango trasero
2. Cubierta del filtro
3. Tornillo del seguro
4. Cubierta superior para filtro de aire y tapa de la bujía de encendido
5. Cubierta superior
6. Mango delantero
7. Guarda protectora
8. Tornillo de ajuste de tensión
9. Tuerca hexagonal
10. Mofle
11. Empuñadura de arranque
12. Tapa del tanque de aceite
13. Tapa del tanque de combustible
14. Bomba del combustible (bomba cebadora)
15. Disco cortador
16. Brida exterior
17. Perno hexagonal
18. Interruptor
19. Botón de bloqueo de seguridad
20. Palanca de aceleración





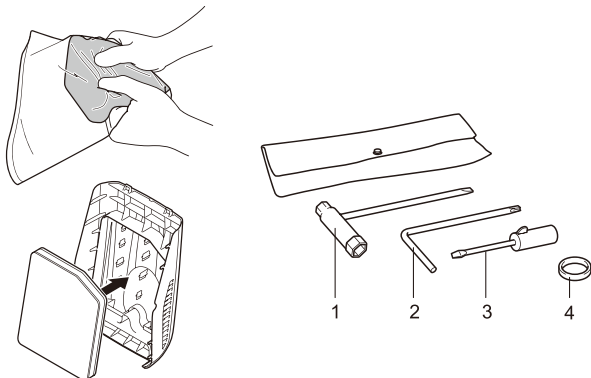
## PUESTA DEL EQUIPO EN OPERACIÓN

### ⚠ PRECAUCIÓN:

¡Apague siempre el motor y quite la tapa de la bujía de encendido antes de dar cualquier servicio sobre el cortador!  
¡Use siempre guantes protectores!

### ⚠ PRECAUCIÓN:

Encienda el cortador sólo tras haber completado su ensamble e inspección.



Para el siguiente trabajo, use las herramientas de ensamble que se incluyen en la entrega del equipo:

1. Llave combinada 13/16 AF
2. Llave de estrella
3. destornillador para ajustes del carburador
4. Anillo adaptador

Coloque el cortador sobre una superficie estable y lleve a cabo los siguientes pasos para el ensamble:

### ⚠ ¡No hay un filtro de aire instalado!

Antes de la operación, comprima manualmente el filtro incluido varias veces de tal forma que el aceite quede inmerso en todo el filtro. ¡Inserte una esponja de filtro aceitada (prefiltro), como se muestra en la ilustración adjunta! Para hacer esto, retire la cubierta del filtro (refiérase a la sección Limpieza / cambio del filtro de aire).

## Instalación del disco cortador

### ⚠ ADVERTENCIA:

- Al instalar el disco cortador de diamante, asegúrese de instalarlo de tal forma que la flecha quede orientada en la misma dirección de rotación de la brida exterior (6). La instalación del disco cortador de diamante (4) con su flecha en dirección opuesta a la de la cubierta de la rueda puede que astille el borde del disco y cause lesiones a la persona.
- Al instalar un disco cortador (4), use siempre el anillo que corresponda con el calibre (diámetro) del disco cortador y con el diámetro del eje (5). Omitir el uso de anillos que embonen según la ocasión causará vibración en la herramienta resultando en lesiones graves a la persona.
- Use sólo discos cortadores con el calibre (diámetro) que corresponda con el diámetro del/de los anillo(s) incluido(s). El uso de anillos que no embonen según la ocasión causará vibración en la herramienta resultando en lesiones graves a la persona.
- Inspección de un disco cortador para ver si hay daños (refiérase a la sección titulada "Discos cortadores" en MEDIDAS DE SEGURIDAD).

1. Inserte la llave estrella (2) en el orificio (8) para impedir que el eje (5) gire.

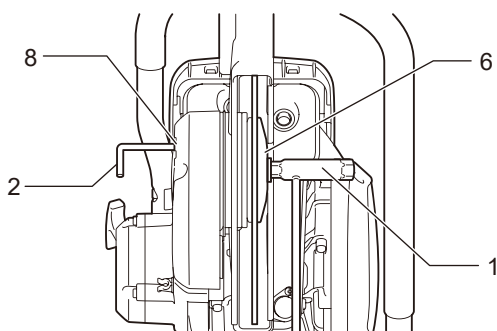
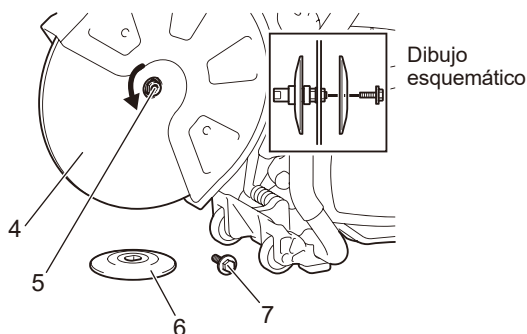
**NOTA:** Cuando se encuentre instalado un sujetador para el sistema de agua a presión en el orificio en la herramienta, quítelo antes de instalar un disco cortador.

2. Mientras sujeta la llave (2) en esa posición, use la llave combinada (1) incluida y gire el perno (7) en sentido contrario a las agujas del reloj sujetando el disco para quitar el perno (7) y la brida exterior (6).
3. Instale un disco cortador de diamante / disco abrasivo de corte (4) en el mandril (5). Luego coloque la brida exterior (6) en el eje de tal forma que las dos superficies paralelas sobre la brida exterior se ajusten a la superficie plana del eje y apriete con firmeza el perno girando en sentido de las agujas del reloj.

Para instalar un disco cortador, coloque un anillo del mismo diámetro que corresponda al calibre (diámetro) del disco y al anillo O incluido para retener el anillo en el eje antes de instalar un disco cortador de diamante.

Luego instale el disco cortador.

**NOTA:** Apriete el perno hexagonal con firmeza (25 - 31 Nm), o de otra forma el disco cortador puede que se deslice durante la operación de corte.





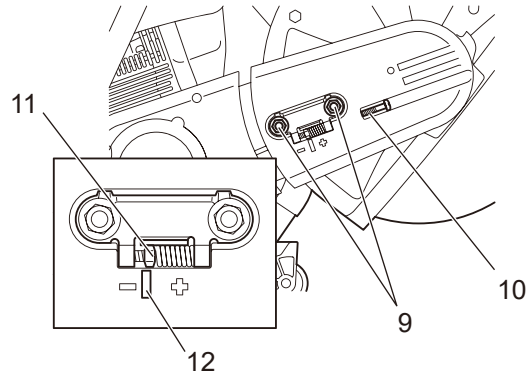
## Apretamiento de la banda trapezoidal / Comprobación de la tensión de la banda trapezoidal

### IMPORTANTE:

La tensión más precisa de la banda trapezoidal es esencial para un máximo desempeño de corte con un consumo mínimo de combustible. Una tensión inadecuada de la banda trapezoidal resultará en un desgaste prematuro de la banda y de la rueda de ésta, o en daños al cojinete del embrague.



**NOTA:** Se debe aflojar las dos tuercas hexagonales (9) antes de apretar o comprobar la tensión de la banda trapezoidal. Para aumentar la tensión de la banda, gire el tornillo de ajuste de tensión (10) a la derecha (en sentido de las agujas del reloj) con la llave combinada incluida con el cortador. La tensión de la banda está correctamente ajustada cuando la tuerca (11) se ubica como se ilustra en la figura en comparación a la posición de la marca (12).



### IMPORTANTE:

- Tras el apretado / la inspección, cerciórese de apretar la tuerca hexagonal (9) (25 N·m - 31 N·m).
- No ajuste la tensión de la banda mientras el equipo esté caliente. Existe un riesgo de lesiones por quemaduras.

## Antes de la operación

### 1. Compruebe / reabastezca el aceite para motor.

- Con el motor enfriado, compruebe / reabastezca el aceite para motor de la siguiente manera.
- Coloque el motor sobre un plano nivelado y compruebe si la cantidad de aceite está dentro del rango MAX y MIN del tanque de aceite.
- Si la cantidad de aceite es insuficiente (cerca de la marca MIN en el tanque de aceite), llene el tanque con más aceite hasta que la cantidad alcance la marca MAX.
- La cantidad de aceite puede comprobarse externamente sin tener que quitar la tapa del tanque de aceite al poderse apreciar a través de la ventanilla externa transparente con la marca de medición.
- A manera de referencia, el aceite debe reabastecerse cada diez horas de uso (un tanque de aceite por cada diez reabastecimientos del tanque de combustible).
- Reemplace todo el aceite si luce extremadamente sucio o descolorido.

<Aceite recomendado> .... Use aceite SAE 10W-30 grado API de clase SF o superior (aceite para motor de automóvil a 4 tiempos).

<Cantidad de aceite> ..... 0,22 L (220 mL)

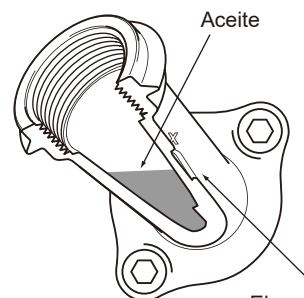
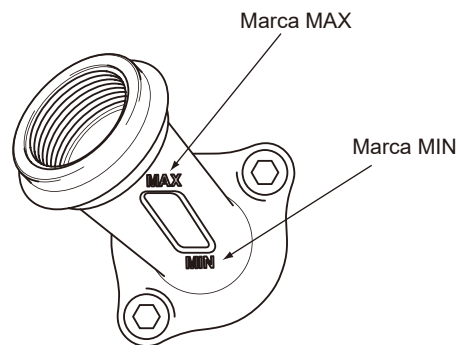
### NOTA:

- Si el motor no se almacena en posición vertical, el aceite circulará a través del motor, y al momento de reabastecer el aceite habrá una cantidad excesiva en el cortador.
- Si la cantidad de aceite excede la marca MAX, puede que se fugue causando suciedad o humo blanco.

### Cambio de aceite Punto 1 <tapa del aceite>

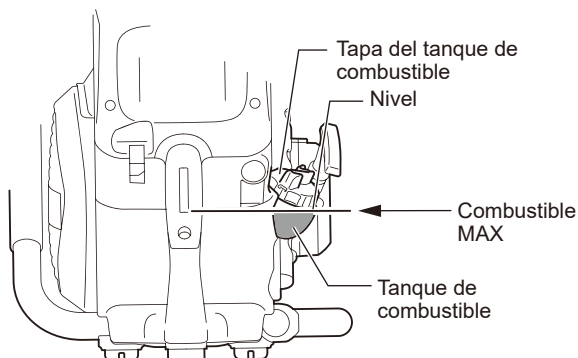
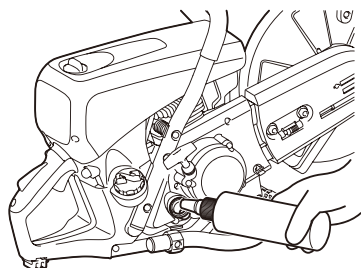
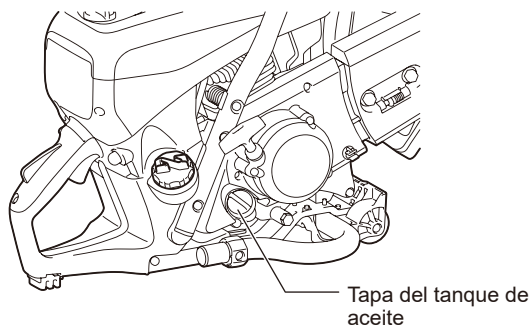
Intervalo de cambio: inicialmente, tras 20 horas de operación y subsecuentemente cada 30 horas de operación.

- Limpie para eliminar la tierra o suciedad acumulada alrededor del cuello del tanque del aceite y luego quite la tapa del aceite.
- Coloque la tapa del aceite sobre una superficie donde no se ensuciará con arenilla o polvo. Si la tapa se coloca estando sucia, la circulación de aceite podrá deteriorarse y las piezas del motor se desgastarán, lo cual puede resultar en fallas mecánicas.



El aceite es visible desde aquí, por lo que las marcas MAX y MIN pueden usarse para comprobar la cantidad del aceite.





- (1) Coloque el motor sobre el plano nivelado y quite la tapa.
- (2) Reabastezca el aceite por la base del cuello de suministro. Al reabastecer aceite, use un contenedor apropiado para lubricante para el reabastecimiento.
- (3) Coloque y apriete la tapa del aceite con firmeza. Si la tapa del aceite queda suelta, puede que haya una fuga de aceite.

**Cambio de aceite Punto 2 <Qué hacer si se derrama aceite>**  
Si se derrama aceite entre el tanque de combustible y el motor, y se usa el cortador, el aceite será succionado a través del ingreso de aire frío, lo cual puede que cause suciedad. Limpie siempre al haber un derrame de aceite antes de usar el cortador.

## 2. Reabastecimiento de combustible

### ⚠ ADVERTENCIA:

- **Observe siempre las siguientes indicaciones al reabastecer el combustible. Hacer caso omiso de estas indicaciones podría provocar fuego o incendio.**
  - Reabastezca el combustible alejado del fuego. Además, nunca fume ni acerque alguna forma de llama cerca del combustible o del cortador durante el reabastecimiento de combustible.
  - Apague el motor y deje que se enfríe antes de reabastecer el combustible.
  - Abra siempre la tapa del tanque de combustible lentamente para liberar la presión interna de una forma controlada. No hacerlo así puede que ocasione un escape de combustible rociado debido a la presión interna.
  - Tenga cuidado de no derramar combustible. Si el combustible se derrama, limpie para eliminar el derrame.
  - Reabastezca el combustible en un lugar con ventilación adecuada.
- **Maneje siempre el combustible con total cuidado.**
  - Si el combustible entra en contacto con la piel y/o los ojos, puede que cause una reacción alérgico y/o inflamación. En casos de reacciones alérgicas y/o inflamación, etc., acuda a consulta médica con un médico especialista de inmediato.

### <Periodo de almacenamiento de combustible>

Como regla, el combustible que se encuentra en un contenedor apropiado, en un lugar a la sombra con ventilación adecuada, deberá ser utilizado dentro de un lapso de cuatro semanas. Si no se usa un contenedor apropiado para combustible y/o no se coloca la tapa, etc., y es época de verano, puede que el combustible se deteriore en un día.

### Almacenamiento del cortador y contenedor de combustible

- Almacene el cortador y contenedor de combustible alejados de la luz directa del sol en un lugar fresco.
- No deje el cortador abastecido con combustible, así como tampoco un contenedor con combustible en un automóvil ni en el maletero o cajuela del mismo.

### <Combustible>

El motor es uno de cuatro tiempos, por lo que el motor requiere de gasolina para automóvil (gasolina común) para funcionar. EK7651HG: Este modelo (E20 y E25) está adaptado para usarse con gasolina brasileña.

### Puntos de combustible

- Evite el uso de una mezcla de combustible (aceite para motor mezclado con gasolina). Hacerlo puede que cause acumulación de carbón, resultando en fallas mecánicas.
- El uso de combustible viejo puede que cause un arranque deficiente del motor.

### <Reabastecimiento de combustible>

Apague siempre el motor y deje que se enfríe antes de reabastecer el combustible.

### <Gasolina utilizable> ..... Gasolina para automóvil

- Afloje ligeramente la tapa del tanque de combustible para liberar la presión y así equalizar la presión de aire interna con la externa.
- Quite la tapa del tanque de combustible y reabastezca el combustible (evite llenar hasta el tope del cuello de suministro del tanque).
- Tras reabastecer el combustible, coloque y apriete con firmeza la tapa del tanque.
- La tapa del tanque de combustible es un producto de consumo. Por lo tanto, si muestra señales de desgaste o anomalías, reemplácelo (como una guía aproximada, el cambio debe hacerse cada dos o tres años).

# Operación

## Arranque

### ⚠ ADVERTENCIA:

No arranque el motor en lugares donde se esté realizando un reabastecimiento de combustible. Desplácese por lo menos tres metros del lugar donde se reabasteció el cortador de combustible.

- Hacer caso omiso de estas indicaciones podría provocar fuego o incendio.

### ⚠ PRECAUCIÓN:

Antes de arrancar el motor, asegúrese de comprobar que le disco cortador no esté haciendo contacto con el suelo ni que ningún otro objeto obstaculice el disco cortador.

- Puede que se genere un accidente si el disco cortador está haciendo contacto con el suelo o algún objeto lo está obstaculizando.

Tan pronto el motor arranque, el disco cortador girará, por lo que debe estar completamente atento de las personas y obstáculos alrededor.

### 1. Arranque en frío

- (1) Presione la bomba cebadora repetidamente hasta que ingrese combustible a ella.
- (2) Mueva la posición del interruptor a la dirección ↙ (dosificador).
- (3) Mantenga sujetado el mango trasero con un pie y firmemente sujete el mango tubular con una mano.
- (4) Vigorosamente jale la empuñadura de arranque repetidamente hasta que se escuche el primer sonido de arranque.

### Calentamiento

- Una vez que arranque el motor, mantenga sujetada la palanca de seguridad, mientras presiona y libera la palanca aceleradora repetidamente durante uno o dos minutos para calentar el motor.
- El calentamiento se habrá completado una vez se estabilice la velocidad del motor y la aceleración de las revoluciones sea suave de una velocidad baja a una alta.


### 2. Arranque en caliente (motor ya calentado)

Presione la bomba cebadora varias veces. De un principio, coloque el interruptor en la posición [I] (operación), y arranque el motor realizando el paso (3) del procedimiento 1 descrito anteriormente.

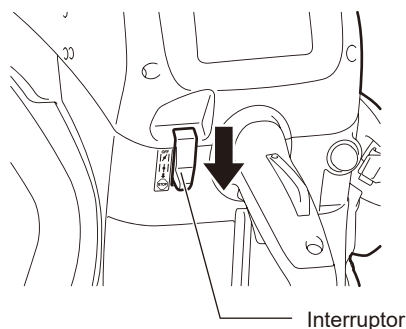
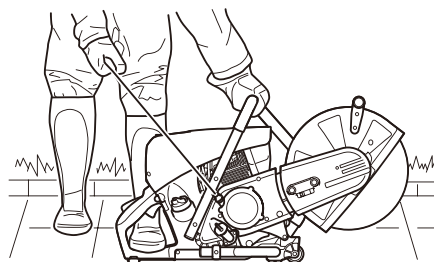
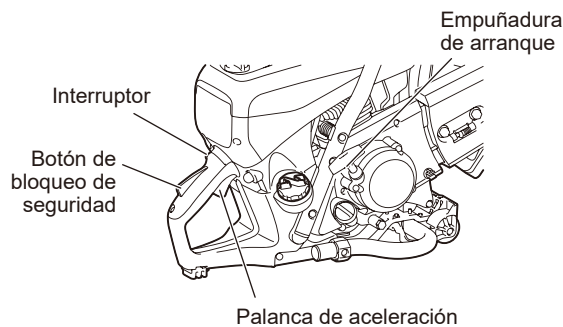
### NOTA:

- Jalar y liberar repetidamente la empuñadura de arranque con el interruptor en la posición del dosificador rebosará el motor con combustible, dificultando así su arranque.
- Cuando el motor se detenga, nunca apriete la palanca de aceleración. Apretarla innecesariamente con el motor detenido rebosará el motor con combustible, dificultando así su arranque.
- Si el motor se rebosa con combustible, quite la bujía de encendido y lentamente jale la empuñadura de arranque varias veces para eliminar el exceso de combustible. También, seque la sección del electrodo de la bujía de encendido.
- No jale la empuñadura de arranque hasta el límite del cordón, pues esto acortará el tiempo de vida útil del cordón. Más importante aún, la empuñadura de arranque debe retornarse con cuidado, evitando soltarla abruptamente.
- Evite dejar el cortador corriendo a velocidad máxima en estado de marcha sin carga, pues hacerlo reducirá el tiempo de vida útil del motor.

### 3. Detención

Para detener el motor, suelte el acelerador y ajuste el interruptor a la posición  (Detener).

Si la palanca dosificadora se desplaza incorrectamente a la posición ↙ para parar la herramienta, use la mitad de aceleración para reiniciar.

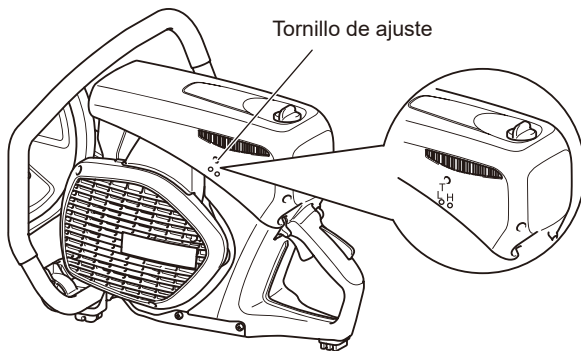
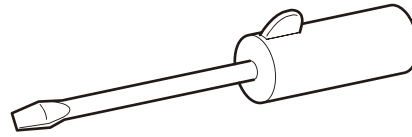


## Ajuste del carburador



**NOTA:** Este motor está equipado con un sistema de encendido electrónico para limitar la velocidad. El carburador también cuenta con un chorro fijo de combustible el cual no puede ser ajustado. La velocidad de marcha sin carga ha sido ajustada de fábrica a 2 600 r/min aproximadamente, pero el proceso de poner en operación de un motor nuevo puede que requiera un leve reajuste de la velocidad de marcha sin carga.

Ajuste la velocidad de marcha sin carga con un destornillador (ancho de punta plana: 4 mm). Un destornillador con orejeta amoldada, que se incluye como un accesorio opcional, es útil para este ajuste.



### 4. Ajuste de la marcha sin carga

**PRECAUCIÓN:** ¡El ajuste del carburador solo podrá hacerse por un centro de servicio MAKITA especializado!

¡No lleve a cabo ajustes sin un tacómetro que involucre ajustar los tornillos de ajuste (H) y (L)! ¡El ajuste incorrecto puede resultar en daños al motor!

Se requiere de usar un tacómetro para realizar ajustes con los tornillos de ajuste (H) y (L), ya que si el motor se ejecuta por encima de su velocidad máxima clasificada, éste podrá sobrecalentarse y agotar el lubricante. ¡Esto puede dañar el motor!

Ajustar sólo el tornillo de ajuste (T) es algo que puede ser manipulado por el usuario. Si el disco cortador se mueve durante la marcha pasiva (p.ej. sin que la palanca de aceleración se presione), ¡es imperativo que corrija la velocidad de marcha sin carga!

El ajuste de la velocidad en marcha pasiva deberá llevarse a cabo solamente cuando el motor se haya calentado y con un filtro de aire limpio.

Use un destornillador (punta plana de 4 mm) para los ajustes de la marcha sin carga.

## MANTENIMIENTO

### ⚠ PRECAUCIÓN:

- **Antes de dar cualquier servicio al cortador detenga el motor y deje que enfríe, quite el disco cortador, quite la tapa de la bujía de encendido y ¡use guantes protectores!** Llevar a cabo servicio de mantenimiento inmediatamente tras detener el motor o con la tapa de la bujía sobre la bujía de encendido puede que cause quemaduras por el motor caliente o lesiones por un encendido accidental.
- **Encienda el cortador sólo tras haber completado su ensamble e inspección.**
- Nunca use gasolina, bencina, diluyentes (tíner), alcohol o alguna sustancia similar. El uso de estas sustancias podría generar decoloraciones, deformaciones o grietas.

### NOTA:

- Limpie para eliminar el polvo del cortador y luego seleccione un lugar de trabajo limpio para llevar a cabo el servicio de mantenimiento.





## SERVICIO

### IMPORTANTE:

Debido a que muchas de las piezas y ensambles que no se mencionan en este manual de instrucciones son vitales para la seguridad en el uso del equipo, y debido a que todas las piezas están sujetas a cierto tiempo de vida útil y desgaste, es importante por su propia seguridad que lleve el equipo para que sea revisado y se le dé servicio de mantenimiento de forma habitual por un centro de servicio MAKITA.

### IMPORTANTE:

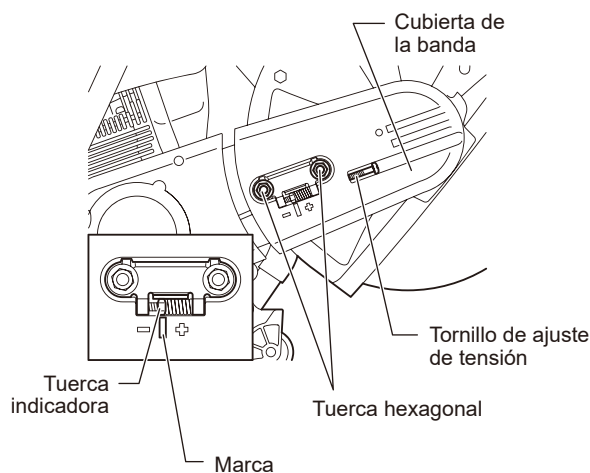


Si el disco cortador se rompe durante una operación de corte, ¡el cortador debe llevarse a reparación por un centro de servicio MAKITA antes de que pueda volver a utilizarse!

## Banda trapezoidal

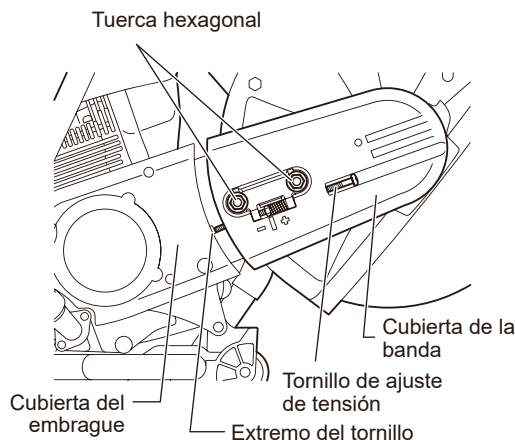
### 1. Ajuste de la tensión de la banda trapezoidal

- Si el disco cortador se detiene con facilidad a mitad de una operación de corte, la banda trapezoidal se ha aflojado. En este caso, ajuste la tensión mediante el siguiente procedimiento.
  - (1) Afloje las tuercas de fijación de la cubierta de la banda.
  - (2) Gire el tornillo de ajuste de tensión hacia la derecha (en sentido de las agujas del reloj) hasta que la tuerca indicadora alcance la posición marcada para incrementar la tensión de la banda trapezoidal.
  - (3) Una vez que haya completado el ajuste de la tensión de la banda trapezoidal, vuelva a apretar con firmeza las tuercas de fijación de la cubierta de la banda.
- Si el disco cortador se detiene con facilidad incluso tras haber ajustado la tensión de la banda trapezoidal, o si ésta se rompe, se debe reemplazar la banda trapezoidal con una nueva.



### 2. Cambio de la banda trapezoidal

- (1) Afloje la tuerca de fijación, gire el tornillo de ajuste de tensión hacia la izquierda hasta que el extremo del tornillo sea visible.
- (2) Quite las tuercas de fijación y luego quite la cubierta de la banda.
- (3) Luego, quite los tres tornillos de instalación y retire la cubierta del embrague.
- (4) Quite la banda trapezoidal vieja y ajuste una nueva en su lugar. Ahora, reinstale la cubierta del embrague siguiendo con la cubierta de la banda.
- (5) Ajuste la tensión como se muestra en la sección de ajuste de la tensión de la banda trapezoidal.



## Limpieza del capó protector

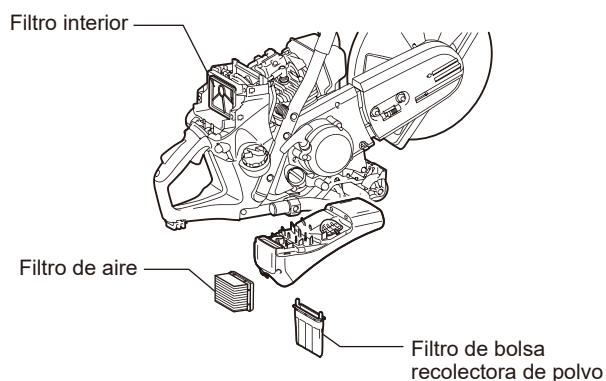
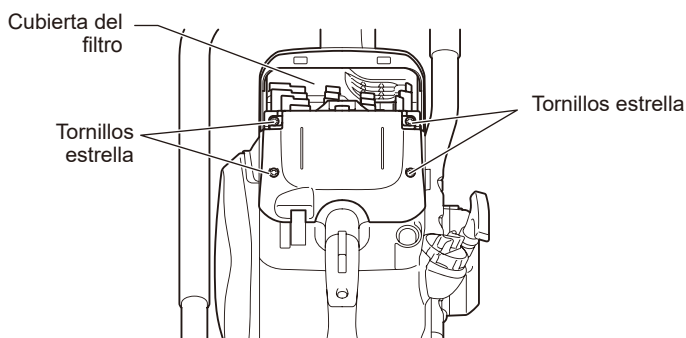
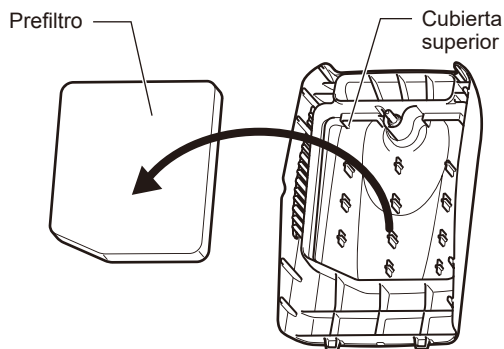
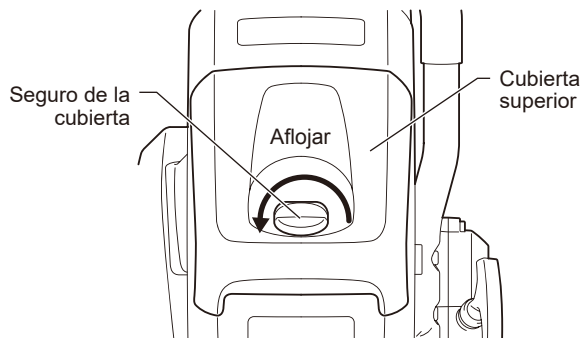
Con el transcurso del tiempo, el interior del capó protector puede apelmazarse con material de residuo (especialmente con los cortes con agua), lo cual si se deja acumular puede afectar el giro libre del disco cortador. Por esta razón, el capó debe limpiarse periódicamente.

Quite el disco cortador y elimine el material de residuo acumulado del interior del capó con un palo de madera u objeto similar.

Limpie el eje y todas las piezas desensambladas con un paño.

**NOTA:** Para instalar el disco cortador, refiérase a “Instalación del disco cortador”.



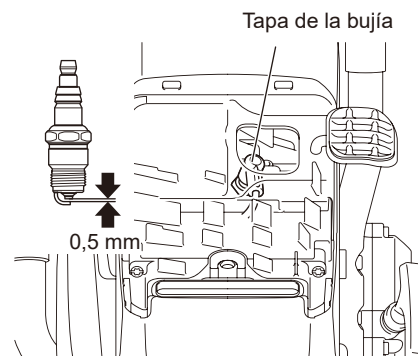
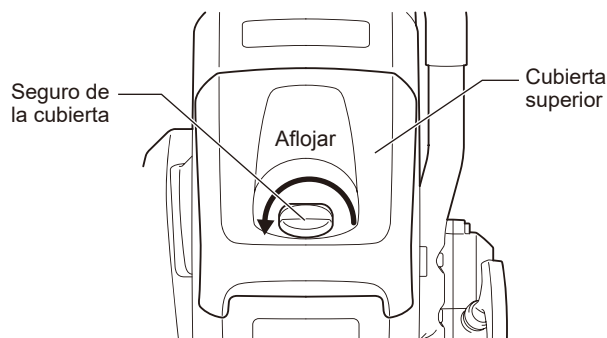


## Limpeza / cambio del filtro de aire

- Si el filtro de aire se congestiona, puede que cause un rendimiento deficiente del motor. Por lo tanto, cada vez después de haber usado el cortador, asegúrese de limpiar el filtro de aire de la siguiente manera:
- Gire el seguro de la cubierta a la izquierda para quitarla.
- Quite la cubierta superior después de aplicar aire soplado para eliminar el polvo de ésta.
- A continuación, quite el prefiltro.
- Quite los cuatro tornillos estrella.
- Quite la cubierta del filtro.
- Quite el filtro de aire.
- Quite el filtro de la bolsa recolectora de polvo de la cubierta del filtro, golpeteando suavemente y soplando en ella para limpiarla.
- Golpetee ligeramente y aplique aire soplado en el filtro interior para eliminar el polvo y la tierra. Además, lave periódicamente el filtro interior con agua enjabonada y seque completamente.
- Golpetee ligeramente el filtro de aire para limpiarlo. Si se usa un compresor de aire, sople aire comprimido en el interior del filtro de aire. No lave el filtro aire.
- Aplique aire soplado para eliminar el polvo alrededor de los filtros.
- Vuelva a ensamblar el filtro de aire a la cubierta del filtro una vez que haya terminado con su limpieza.
- Apriete el seguro de la cubierta con firmeza.

## Mantenimiento de la bujía de encendido

- (1) Afloje el seguro de la cubierta y quite la cubierta superior.
- (2) Abra la cubierta de la bujía, quite la tapa y retire la bujía de encendido.
- (3) Compruebe si la separación del electrodo es de 0,5 mm. Si la separación es muy amplia o muy estrecha, ajústela para que sea de 0,5 mm.
- (4) Si se ha acumulado carbón y/o tierra en la bujía de encendido, límpiela y luego reinstálela. Una bujía de encendido excesivamente desgastada o quemada deberá ser reemplazada con una nueva.
- (5) Después de haber llevado a cabo el servicio de mantenimiento de la bujía de encendido, reinstálela, coloque la tapa de la bujía y fije la cubierta de la bujía.



## Reemplazo de la cabeza de succión

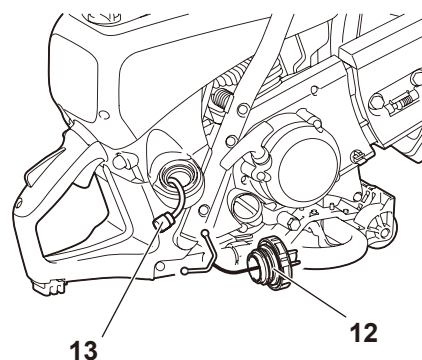
La succión de la cabeza del filtro del tanque de combustible (13) puede congestionarse. Se recomienda que reemplace la cabeza de succión cada tres meses para garantizar un flujo de combustible al carburador sin obstrucciones.

Desenrosque la tapa del tanque de combustible (12) y saque el tope de prevención de pérdidas.

Vacíe el tanque de combustible

Para quitar la cabeza de succión para reemplazarla, sáquela a través del cuello del tanque de combustible usando un alambre con un extremo doblado para formar un gancho.

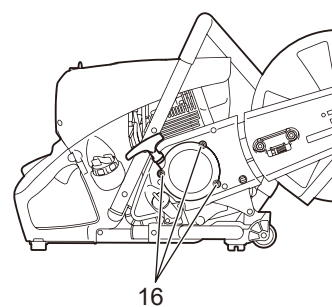
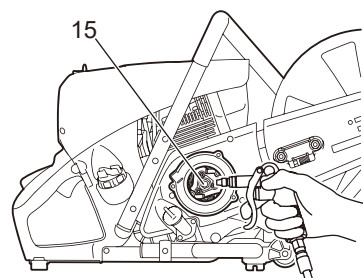
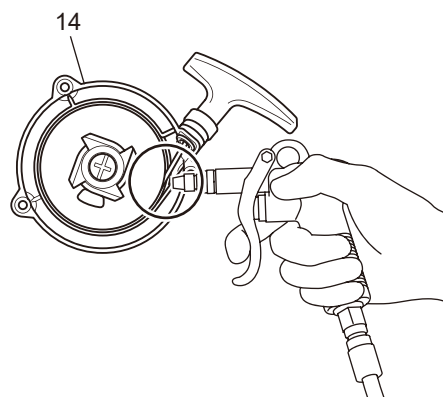
**⚠ PRECAUCIÓN:** ¡No permita que el combustible entre en contacto con la piel!



## Limpeza del arrancador

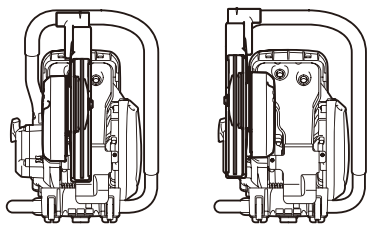
Cuando el arrancador no funciona bien, por ejemplo, que la cuerda de arrancador no regrese a la posición inicial, será necesario soplar aire para eliminar el polvo del arrancador (14) y del embrague (15).

Para limpiar el arrancador y el embrague, quite los tres tornillos (16) para tener acceso.





Dirección de instalación



A

B

## Cambio de la posición del aditamento de corte (posición al centro / lateral)

### Instalación de la dirección del capó

- El aditamento cortador del equipo está instalado en la dirección que se ilustra en la Fig. A. Si se desea, emplee el siguiente procedimiento para instalar el aditamento en la dirección que se ilustra en la Fig. B.

### Instalación en la dirección B

- (1) Afloje la tuerca de fijación, gire el tornillo de ajuste de tensión hacia la izquierda hasta que el extremo del tornillo sea visible. (Fig. 1)
- (2) Quite las tuercas de fijación y quite la cubierta de la banda. (Fig. 1)
- (3) Gire el capó hacia la posición de la línea punteada. Quite la banda trapezoidal y luego quite el aditamento de corte del cortador. Vuelva a colocar la empuñadura. (Fig. 2)
- (4) Levante el eje del seguro con un destornillador acanalado o con unas pinzas. (Fig. 3)
- (5) Gire el brazo hasta que haga contacto con la empuñadura y manualmente regrese el bloqueo del eje a la posición original. (Fig. 4)  
Recolocación de la empuñadura. (Fig. 5)
- (6) Voltee el aditamento extraído, pase el perno a través del orificio y reinstálelo en la dirección B. (Fig. 6)
- (7) Reinstale la banda trapezoidal a la polea. (Fig. 6)  
Instale la cubierta de la banda. (Fig. 7)  
Gire el tornillo de ajuste de tensión para ajustar la tensión de la banda trapezoidal. Una vez que el ajuste de la tensión se haya completado, apriete con firmeza la tuerca de fijación.

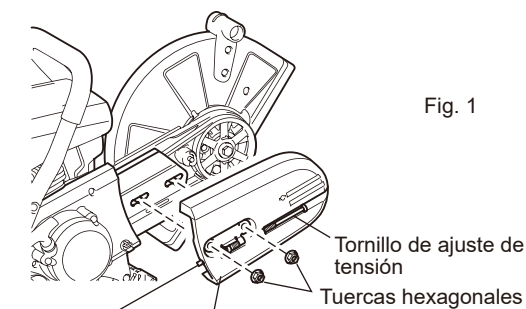


Fig. 1

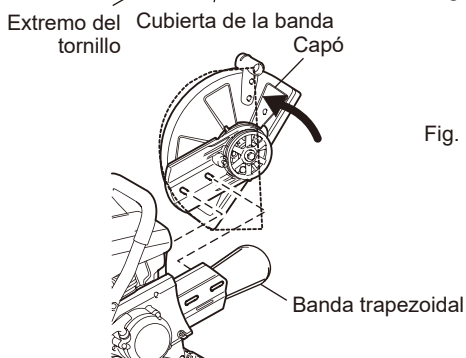


Fig. 2

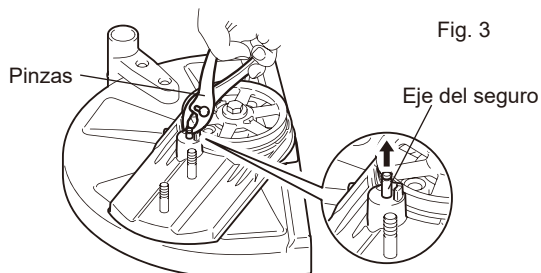


Fig. 3

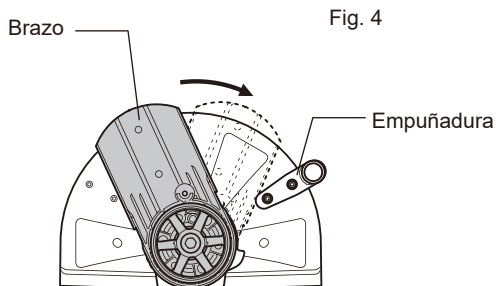


Fig. 4

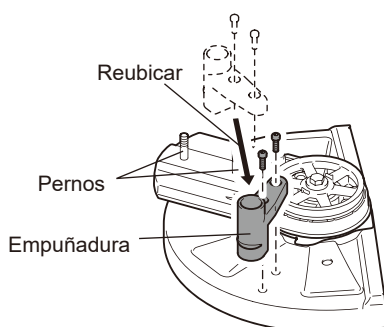


Fig. 5

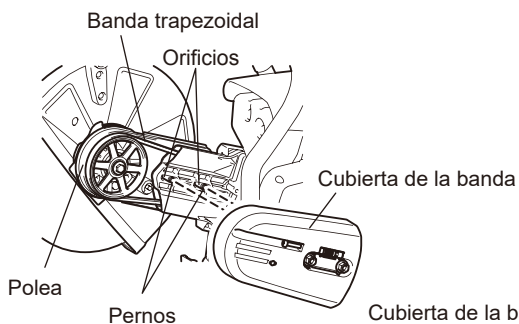


Fig. 6

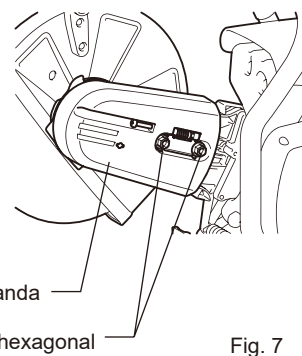


Fig. 7

## ACCESORIOS ESPECIALES

### Discos cortadores de diamante

Los discos cortadores de diamante MAKITA cumplen con las más elevadas exigencias respecto a la seguridad ocupacional, facilidad de operación y economía en el rendimiento de cortes. Se pueden usar para cortar todo tipo de material **excepto metal**. El alto nivel de durabilidad de éstos garantiza un bajo nivel de desgaste y por lo mismo un tiempo de vida útil muy extenso casi sin cambios en su diámetro durante todo periodo de uso. Esto brinda un rendimiento de corte consistente y un nivel económico elevado. La características sobresalientes de corte de los discos permite una operación de corte más sencilla. Las láminas metálicas del disco ofrecen una ejecución altamente concéntrica para una vibración mínima durante su uso. El uso de discos cortadores de diamante reduce considerablemente el tiempo de las operaciones de corte. Esto a su vez resulta en una reducción en los costos de operación (consumo de combustible, desgaste de las piezas, reparaciones, y en última instancia, pero no menos importante, menos daños al medio ambiente).

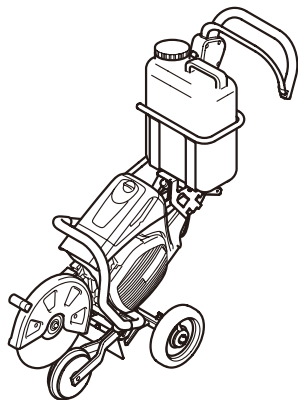
### Carretón guía

El carretón guía de MAKITA facilita en gran medida la realización de cortes rectos, mientras que simultáneamente permite la operación sin fatiga. Puede ajustarse de acuerdo a la altura del usuario, y puede usarse junto con el aditamento cortador colocado en posición lateral o al centro.

Se puede agregar un limitador de la profundidad para facilitar aún más la realización de cortes precisos. Esto permite mantener una profundidad predeterminada y precisa de corte.

Para mantener un bajo nivel de polvo y para un mejor enfriamiento del disco cortador, MAKITA ofrece varias opciones para mojar los discos durante la operación.

- Juego de carretón  
Esto es útil para hacer cortes en la superficie de calles y carreteras.
- Juego de filtro  
Prefiltro (5 filtros)  
Filtro de aire (1 filtro)  
Filtro de bolsa recolectora de polvo (1 filtro)



### Tanque de agua (componente del carretón)

El tanque de agua está diseñado para instalarse al carretón guía. Su gran capacidad lo hace especialmente apto para situaciones que involucren cambiar de sitio con frecuencia. Para llenarlo o para cambiar rápidamente entre tanques de reserva, el tanque puede levantarse simplemente del carretón. El tanque de agua viene con todas las conexiones y mangueras necesarias. La instalación al carretón y al cortador es rápida y sencilla.

### Sistema de agua por tubería / a presión

El sistema de agua por tubería / a presión está diseñado para instalarse en el cortador. Puede usarse con o sin el carretón, pero es especialmente apto para aplicaciones que involucren el corte manual estacionario. El conducto de agua cuenta con una conexión de liberación rápida, y el agua puede ser suministrada desde la red de tubería del agua o desde un tanque de agua a presión (7). El sistema de agua viene con todos los conductos y conexiones necesarios. Puede instalarse rápida y fácilmente en el cortador.

## Tabla de mantenimiento

Artículo	Inspección	Periodicidad
Aceite para motor	Inspeccionar / limpiar	Antes de comenzar el trabajo
	Reemplazar	inicialmente, tras 20 horas de operación y subsecuentemente cada 30 horas de operación.
Disco, perno de fijación, guarda	Inspección visual	Antes de comenzar el trabajo
Sistema de aceleración	Revisión funcional	Antes de comenzar el trabajo
Filtro de aire	Golpetear ligeramente o reemplazar	Mensual (cada 50 horas de operación)
Filtro de bolsa recolectora de polvo	Limpiar o reemplazar	Semanal (cada 20 horas de operación)
Prefiltro	Enjuague en agua saliendo del grifo para eliminar el cochambre, o reemplace y aplique aceite.	Diario (cada 8 horas de operación)
Bujía de encendido	Revisar visualmente ... Limpiar, ajustar o reemplazar	Implementar como considere apropiado
Banda trapezoidal	Inspeccionar visualmente el estado de desgaste (ponga atención a la tensión excesiva al momento del reemplazo)	Antes de comenzar el trabajo
Filtro del tanque de combustible	Inspeccionar visualmente y reemplazar dependiendo del nivel de suciedad	Implementar como considere apropiado
Tuercas y pernos	Inspeccionar visualmente y corregir	Antes de comenzar el trabajo

- Asegúrese de usar los repuestos y artículos de consumo designados de marca original

## Determinación de fallas

Falla	Sistema	Observación	Causa
Disco cortador no empieza a girar	Embrague	El motor se ejecuta	Daños al embrague
El motor no arranca o arranca con dificultad	Sistema de encendido	Si hay chispa de encendido No hay chispa de encendido	Falla en el suministro de combustible o sistema de compresión; problema mecánico Operación del interruptor; falla en el cableado o corto circuito; defecto en la bujía de encendido o su enchufe; problema en el módulo de encendido
	Suministro de combustible	Tanque de combustible lleno	Posición incorrecta del dosificador; carburador defectuoso; línea de suministro de combustible doblada o bloqueada; combustible impuro
	Sistema de compresión	No hay compresión al dar el jalón	Empaque defectuoso en el fondo del cilindro; daños en el sellado del cigüeñal; cilindro o anillos de pistones defectuosos o sellado inadecuado de la bujía de encendido
	Falla mecánica	Arrancador no acciona	Resorte del arrancador roto; piezas rotas dentro del motor
	Embrague	La contaminación se adhiere al embrague y las piezas de alrededor	Resorte del trinquete contaminado y abierto; límpielo
Problemas al arrancar el motor ya calentado	Carburador	Existencia de chispa de encendido; tanque lleno	Carburador contaminado, límpielo
El motor arranca pero se apaga de inmediato	Suministro de combustible	Tanque lleno	Ajuste incorrecto de operación pasiva, cabeza de succión o carburador contaminados Respiradero del tanque defectuoso; obstrucción de la línea de suministro de combustible; falla en el cable interruptor de encendido
Rendimiento deficiente	Puede que varios sistemas del equipo se vean afectados a la vez	Ineficiencia de estado de marcha sin carga del motor	Filtro de aire contaminado; carburador contaminado; congestión del mofle; congestión del conducto de escape en el cilindro

## Resolución de problemas

Antes de solicitar un servicio de reparación, revise primero usted el problema. Si se encuentra cualquier anomalía, controle el equipo según la descripción de este manual que se indica. Nunca altere o desarme ninguna pieza que no se indique en la descripción. Para servicios de reparación, póngase en contacto con un Agente de Servicio Autorizado o con su distribuidor local.

Estado de anomalía	Causa probable (falla)	Solución
El motor no arranca	Falla en la operación de la bomba cebadora	Bombée de 7 a 10 veces
	Poca fuerza al jalar el cordón del arrancador	Jale con fuerza
	Falta de combustible	Suministre combustible
	Filtro de combustible congestionado	Limpie
	Manguera de combustible doblada	Enderece la manguera de combustible
	Combustible deteriorado	El combustible deteriorado dificulta que el equipo arranque. Reemplace con nuevo aceite. (Recomendación de reemplazo: una vez al mes)
	Succión excesiva de combustible	Ajuste la palanca aceleradora de velocidad media a velocidad alta y jale el mango del arrancador hasta que el motor se encienda. Una vez que el motor arranque, el disco cortador comienza a girar. Este completamente atento del disco cortador. Si el motor sigue sin arrancar, retire la bujía de encendido, seque los electrodos y reensamble. Luego arranque el equipo como se indica.
	Tapa de la bujía suelta	Fije con firmeza
	Bujía de encendido contaminada	Limpie
	Irregularidad del área de despeje de la bujía de encendido	Ajuste el área de despeje
	Otra anomalía con la bujía de encendido	Reemplace
	Anomalía con el carburador	Solicite un servicio de inspección y mantenimiento.
	La cuerda del arrancador no puede jalarsé	Solicite un servicio de inspección y mantenimiento.
	Irregularidad con el sistema de propulsión	Solicite un servicio de inspección y mantenimiento.
Embrague y piezas de alrededor contaminadas	Limpie	
El motor se apaga en poco tiempo La velocidad del motor no aumenta	Falta de calentamiento del motor	Realice la operación de calentamiento
	Palanca del dosificador está en la posición "H" aunque el motor ya está caliente.	Ajuste a "ON III"
	Filtro de combustible congestionado	Limpie
	Filtro de aire contaminado o congestionado	Limpie
	Anomalía con el carburador	Solicite un servicio de inspección y mantenimiento.
	Irregularidad con el sistema de propulsión	Solicite un servicio de inspección y mantenimiento.
El disco cortador no gira ↓ Apague el motor de inmediato	Disco cortador, perno de fijación suelto	Apriete con firmeza
	Irregularidad con el sistema de propulsión	Solicite un servicio de inspección y mantenimiento.
La unidad principal vibra de forma anormal ↓ Apague el motor de inmediato	Rotura, doblez o desgaste del disco cortador	Reemplace disco cortador
	Disco cortador, perno de fijación suelto	Apriete con firmeza
	Irregularidad con el sistema de propulsión	Solicite un servicio de inspección y mantenimiento.
El disco cortador no se detiene inmediatamente ↓ Apague el motor de inmediato	Rotación a alta velocidad en marcha sin carga	Ajuste
	Vinculación desconectada de aceleración	Solicite un servicio de inspección y mantenimiento.
	Irregularidad con el sistema de propulsión	Solicite un servicio de inspección y mantenimiento.
El motor no se apaga ↓ Active el motor y que corra en estado de marcha sin carga y ajuste la palanca dosificadora a la posición "H"	Conector suelto	Fije con firmeza
	Irregularidad con el sistema eléctrico	Solicite un servicio de inspección y mantenimiento.

Cuando el equipo no arranca tras la operación de calentamiento:

Si no se detecta alguna anomalía en las piezas revisadas, abra el acelerador alrededor de 1/3 y arranque el motor.

# Almacenamiento

## ADVERTENCIA:

**Al drenar el combustible, interrumpa siempre el motor, déjelo enfriar y luego proceda con el drenado.**

- Drenar el combustible inmediatamente tras detener el motor puede genera llamas o incendio, lo cual podría resultar en lesiones por quemaduras.

## PRECAUCIÓN:

**Si el cortador no se utilizará por un periodo prolongado, drene el combustible y almacene el cortador en un lugar seco y limpio.**

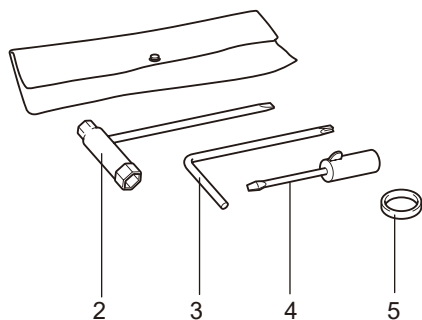
- Siga los siguientes pasos para drenar el combustible del tanque de combustible y del carburador.
- (1) Quite la tapa del tanque de combustible y extraiga el combustible hasta vaciar el tanque.  
En este momento, compruebe si hay algún material ajeno en el tanque de combustible. De haberlo, extráigalo.
  - (2) Con un trozo de alambre o similar, saque el filtro de combustible a través del cuello del tanque.
  - (3) Presione la bomba cebadora hasta hacer que todo el combustible desemboque en el tanque de combustible, y luego asegúrese de vaciar el tanque.
  - (4) Regrese el filtro de combustible a su posición en el tanque de combustible, y luego vuelva a colocar con firmeza la tapa del tanque.
  - (5) Finalmente, corra el motor hasta que éste se detenga.
  - (6) Quite la bujía de encendido y drene las pocas gotas de aceite para motor del orificio en donde se conecta.
  - (7) Jale lentamente la empuñadura de arranque para hacer que el aceite circule a través del motor, y luego vuelva a instalar la bujía de encendido.
  - (8) Coloque el aceite drenado en un contenedor apropiado de combustible, y almacene en un lugar a la sombra con ventilación adecuada.

Obrigado por adquirir um produto MAKITA!  
 Parabéns por escolher uma Cortadora a Gasolina MAKITA!  
 Estamos confiantes de que você ficará satisfeito com este moderno equipamento.  
 Queremos que você fique satisfeito com nosso produto MAKITA.  
 Para garantir o funcionamento e desempenho ótimos de sua Cortadora a Gasolina e para assegurar sua segurança pessoal, gostaríamos de solicitar a você a realização do seguinte:  
**Leia com atenção este manual de instruções antes de colocar a Cortadora a Gasolina em funcionamento pela primeira vez e cumpra estritamente com os regulamentos de segurança. Não observar essas precauções pode levar a ferimentos graves ou morte!**

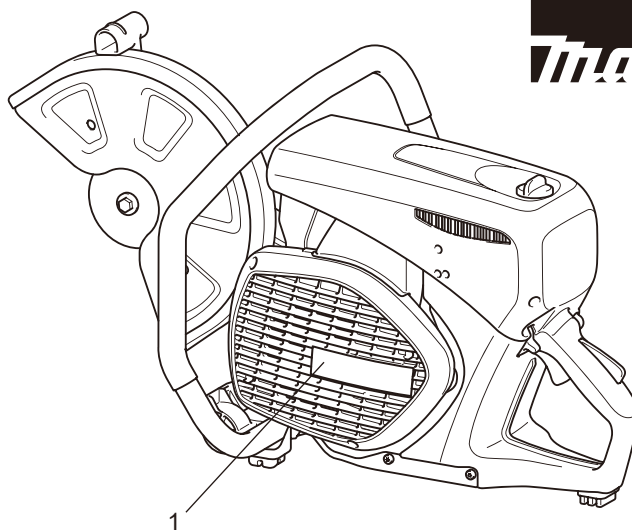


<b>Índice</b>	<b>Página</b>
<b>Conteúdo da embalagem</b> .....	78
<b>Símbolos</b> .....	78
<b>PRECAUÇÕES DE SEGURANÇA</b> .....	79
Precauções gerais .....	79
Equipamento de proteção .....	79
Combustíveis / Reabastecimento .....	80
Colocação em funcionamento.....	80
Discos de corte .....	81
Recuo e travamento.....	82
Comportamento/método de trabalho .....	82
Metais de corte.....	83
Corte de mçonaria e concreto.....	83
Transporte e armazenamento.....	84
Manutenção .....	85
Primeiros socorros .....	85
<b>Dados técnicos</b> .....	86
<b>Denominação de componentes</b> .....	87
<b>COLOCAÇÃO EM FUNCIONAMENTO</b> .....	88
Montagem do disco de corte.....	88
Aperto da correia V / Verificação da tensão da correia V .....	89
Antes da operação .....	89
<b>Operando</b> .....	91
Partida.....	91
<b>Ajuste do carburador</b> .....	92
<b>MANUTENÇÃO</b> .....	92
Correia V .....	93
Limpeza da cobertura de proteção .....	93
Limpeza/troca do filtro de ar.....	94
Manutenção da vela de ignição .....	95
Substituição do cabeçote de sucção .....	95
Limpeza da ignição .....	96
Troca da posição do acessório de corte (central/lateral) .....	97
<b>ACESSÓRIOS ESPECIAIS</b> .....	98
Discos de corte diamantado.....	98
Carrinho de mão guia.....	98
Tanque de água (o componente do carrinho) .....	98
Sistema de água de pressão / serviço público.....	98
<b>Tabela de manutenção</b> .....	99
<b>Localização de falha</b> .....	99
<b>Resolução de problemas</b> .....	100
<b>Armazenamento</b> .....	101

## Conteúdo da embalagem



1. Cortadora a Gasolina
2. Chave de combinação 13/19 AF
3. Chave estrela
4. Chave de fenda de ajuste de carburador
5. Anel adaptador (ferramentas para alguns países podem requisitar este anel.)
6. Manual de instrução (não mostrado)



No caso de uma das peças aqui listadas não estar incluída na embalagem, procure seu revendedor.

## Símbolos

Você observará os seguintes símbolos na serra e no manual de instruções:

	Leia o manual de instruções e observe todos os avisos e precauções de segurança!		<b>AVISO:</b> a velocidade periférica máx. do disco de corte é de 80 m/s!
	Tenha muito cuidado e cautela!		Dimensões do disco de corte
	Proibido!		Início manual do motor
	Use um capacete e proteção ocular, de ouvidos e respiratória!		Pare o motor!
	Use luvas de proteção!		Aviso! Recuo!
	Proibido fumar!		Combustível (gasolina)
	Nenhuma chama aberta!		Primeiros socorros
	Direção da rotação do disco de corte		



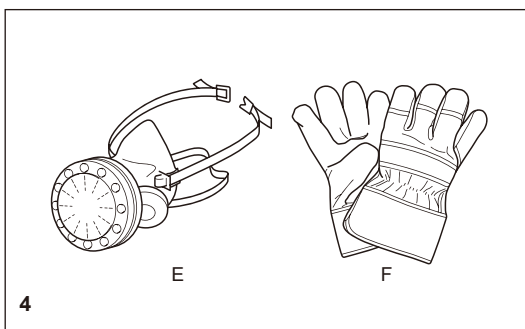
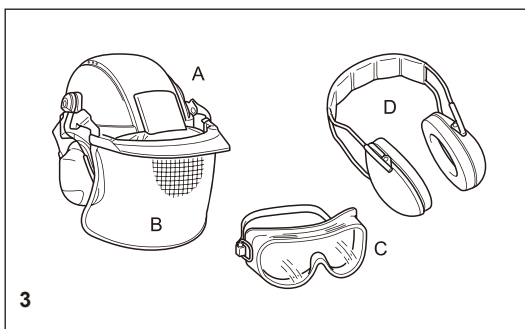
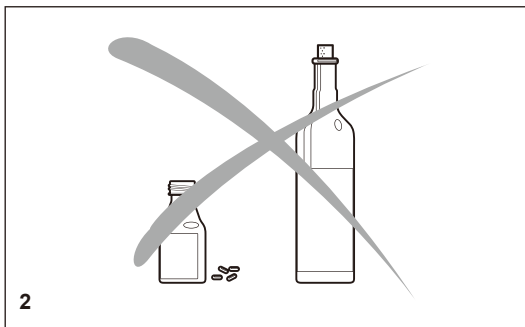
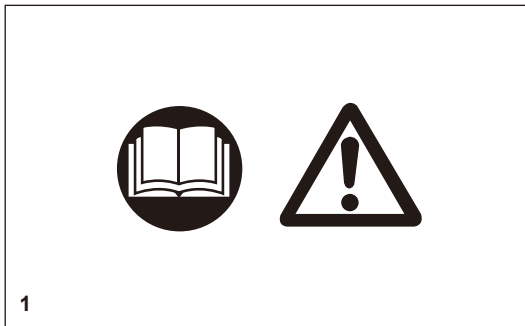
# PRECAUÇÕES DE SEGURANÇA

## Precauções gerais

- O operador TEM de ler este manual de instruções para assegurar a operação (mesmo se você já tiver experiência no uso de cortadoras). É importante ficar familiarizado com a operação desta cortadora em particular. Os usuários insuficientemente informados correrão riscos, e porão em perigo outras pessoas devido ao manuseio inapropriado.
- Permita que somente pessoas que tenham experiência no uso de cortadoras trabalhem com esta unidade. Quando deixar outra pessoa usar a Cortadora a Gasolina, este manual de instruções deve ser fornecido junto com ela.
- Operadores que utilizam pela primeira vez devem pedir a um especialista para instruí-los no trabalho com cortadoras a gasolina.
- Crianças e pessoas com menos de 18 anos de idade não devem ser permitidos a usar esta Cortadora a Gasolina. Pessoas acima de 16 anos podem, porém, utilizar a Cortadora a Gasolina para o propósito de treinamento apenas, enquanto estiverem sob supervisão de um instrutor qualificado.
- Trabalhar com a Cortadora a Gasolina requer alta concentração.
- Opere a Cortadora a Gasolina somente se estiver em boas condições físicas. Se você estiver cansado, sua atenção ficará reduzida. Tenha cuidado especial ao final de um dia de trabalho. Execute todo o trabalho com calma e cuidado. O usuário tem que aceitar responsabilidade sobre os outros.
- Nunca trabalhe sob influência de álcool, drogas, medicamento ou outras substâncias que podem debilitar a visão, a habilidade ou o julgamento.
- Um extintor de incêndio deve estar disponível nas proximidades.
- Asbestos (amianto) e outros materiais que podem liberar toxinas só podem ser cortados com as precauções de segurança necessárias e depois de notificação pelas autoridades apropriadas e sob supervisão destas ou de uma pessoa apontada pelas mesmas.

## Equipamento de proteção

- Para evitar ferimentos à cabeça, olhos, mãos ou pés, assim como para proteger sua audição, os seguintes equipamentos de proteção devem ser usados durante o uso da Cortadora a Gasolina.
- O tipo de vestuário deve ser apropriado, ou seja, as roupas devem ser justas, mas não devem causar qualquer impedimento. Roupas nas quais grãos de material podem grudar (calças com bainhas dobradas, jaquetas e calças com bolsos amplos, etc.) não devem ser usadas, particularmente quando cortar metal.
- Não use joias ou roupas que podem pegar em algo ou distrair da operação da Cortadora a Gasolina.
- É necessário usar capacete protetor sempre que trabalhar com a Cortadora a Gasolina. O **capacete protetor** (A) deve ser verificado em intervalos regulares quanto a danos e ser substituído no máximo em cinco anos. Use somente capacetes protetores aprovados.
- A **viseira** do capacete (B) protege o rosto contra pó e grãos de material. Para evitar ferimentos aos olhos e rosto, use sempre **óculos de proteção** (C) ou viseira quando usar a Cortadora a Gasolina.
- Para evitar danos aos ouvidos, use sempre **proteção para audição** (protetores de ouvido (D), plugues de ouvido, etc.). Análise da marca Octave por solicitação.
- Quando cortar a seco materiais que produzem pó, como pedra ou concreto, use sempre **proteção respiratória** (E).
- **Luas de trabalho** (F) de couro resistente são parte do kit de trabalho necessário para a Cortadora a Gasolina e devem ser sempre usadas quando trabalhar com a Cortadora a Gasolina.



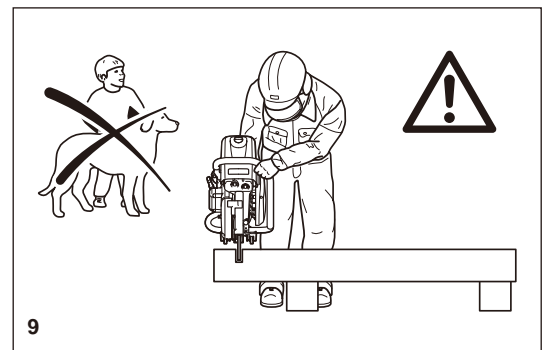
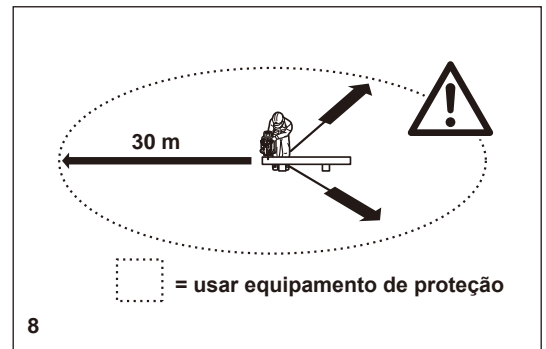
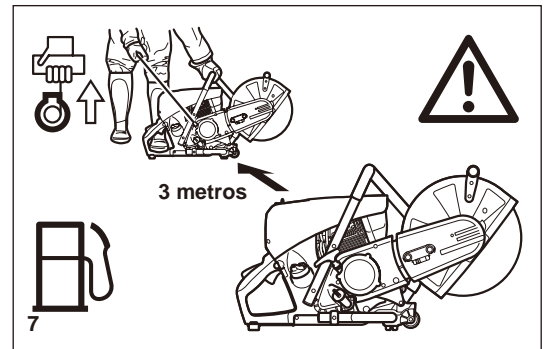
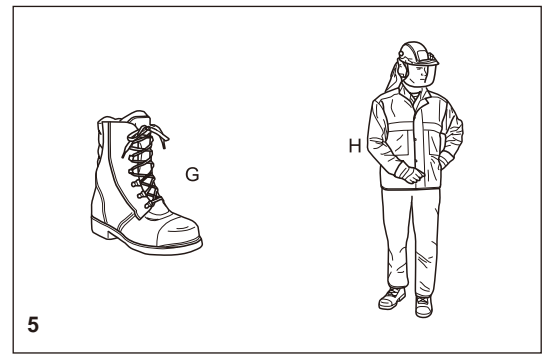
- Use sempre **sapatos ou botas de segurança (G)** com ponteiros de aço, solas antiderrapantes e protetores para pernas quando trabalhar com a Cortadora a Gasolina. Os sapatos de segurança equipados com camada protetora fornecem proteção contra cortes e asseguram um posicionamento firme dos pés.
- Use um **macacão de trabalho (H)** de material resistente.

### Combustíveis / Reabastecimento

- Vá para um lugar plano e seguro antes de reabastecer. **Nunca reabasteça enquanto estiver em um andaime, sobre morro de material ou locais similares!**
- Desligue o motor antes de reabastecer a Cortadora a Gasolina.
- Não fume ou trabalhe perto de fogo aberto (6).
- Deixe o motor esfriar antes de reabastecer.
- Os combustíveis podem conter substâncias semelhantes a solventes. Olhos e pele não devem entrar em contato com produtos de óleo mineral. Use sempre luvas de proteção quando reabastecer (não as luvas de trabalho regulares!). Limpe e mude as roupas de proteção com frequência. Não respire em vapores de combustível. A inalação de vapores de combustível pode ser perigosa para sua saúde.
- Não derrame combustível. Se houver derramamento, limpe imediatamente a Cortadora a Gasolina. O combustível não deve entrar em contato com as roupas. Se suas roupas entrarem em contato com combustível, mude-as de uma vez.
- Certifique-se de que não respingue combustível no solo (proteção ambiental). Use uma base apropriada.
- O reabastecimento não é permitido em recintos fechados. Os vapores de combustível irão acumular perto do chão (perigo de explosão).
- Certifique-se de apertar firmemente a tampa de rosca do tanque de combustível.
- Antes de dar partida no motor, mova para um local de pelo menos 3 metros (3,3 jardas) de onde você abasteceu a Cortadora a Gasolina (7), mas não dentro da faixa estendida de oscilação do disco de corte (direção das faíscas).
- O combustível não pode ser armazenado por um período de tempo ilimitado. Mas somente pelo o tempo em que será consumido no futuro próximo.
- Use somente recipientes aprovados e marcados para transporte e armazenamento de combustível.
- **Mantenha combustíveis longe de crianças!**

### Colocação em funcionamento

- **Não trabalhe sozinho. Deve haver alguém por perto no caso de uma emergência (a uma distância em que ela possa ser chamada).**
- Observe todos os regulamentos antirruído quando trabalhar em áreas residenciais.
- **Nunca use a Cortadora a Gasolina perto de materiais inflamáveis ou gases explosivos! A Cortadora a Gasolina pode criar faíscas levando a incêndio ou explosão!**
- Certifique-se de que todas as pessoas dentro de 30 metros (33 jardas), como outros trabalhadores, estejam usando material de proteção (veja "Equipamento de proteção") (8). Crianças e outras pessoas não autorizadas devem permanecer mais de 30 metros de distância da área de trabalho. Observe também os animais (9).
- **Antes de iniciar o trabalho, a Cortadora a Gasolina deve ser verificada quanto ao perfeito funcionamento e segurança de operação, de acordo com as instruções.**  
Em particular, certifique-se de que o disco de corte esteja em boas condições (substitua imediatamente se estiver rachado, danificado ou torto), o disco de corte esteja corretamente montado, a cobertura de proteção esteja travada no local, a proteção manual esteja corretamente montada, a correia V tenha a tensão apropriada, o acelerador se move facilmente, os punhos estejam limpos e secos, e a chave de combinação funciona corretamente.
- Inicie a Cortadora a Gasolina somente depois de montar e inspecionar completamente. Nunca use a Cortadora a Gasolina quando não estiver completamente montada.



## Discos de corte

- **A cobertura de proteção deve estar sempre colocada! Troque os discos somente com o motor desligado!**

- Há dois tipos básicos de discos de corte:

- Para metal (corte a quente)
- Para maçonaria (corte a frio)

### NOTA:

Quando usar discos de corte diamantado, certifique-se sempre de observar as marcações de "direção de rotação". Os discos diamantados devem ser usados somente para cortar maçonaria/tijolo/concreto, etc.

- Os discos de corte são destinados somente para carga radial, ou seja, para corte.

Não triture com os lados do disco de corte! Isso irá quebrar o disco (10)!

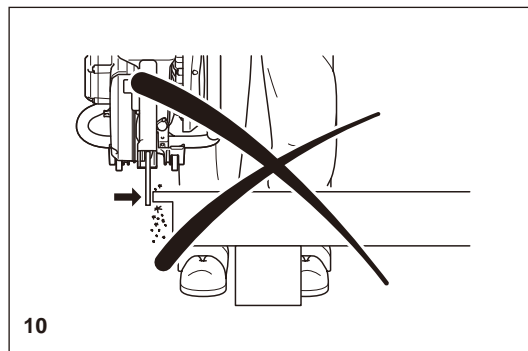
### ⚠ ATENÇÃO:

**Nunca mude a direção (girando o raio menos de 5 metros / 5 1/2 jardas), exerça pressão lateral, ou incline a Cortadora a Gasolina durante o corte (11)!**

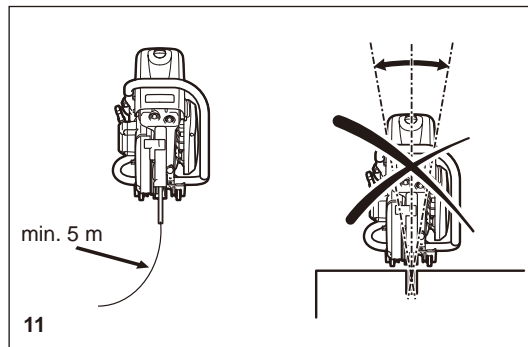
- Use um disco de corte somente para corte dos materiais para os quais se destina. O tipo apropriado de disco deve ser usado, tanto para metais como para maçonaria.
- O orifício do disco de corte deve se encaixar exatamente no eixo. Se o orifício for maior que o diâmetro do eixo, um anel espaçador deve ser usado (acessórios).
- Use somente discos de corte aprovados pelo DSA (Comitê de Disco Abrasivo Alemão) ou organização equivalente para corte livre a até 4.370 RPM (= 80 m/s na circunferência) para discos de 14"/355 mm, ou até 5.100 RPM (= 80 m/s na circunferência) para discos de 12"/300 mm.
- O disco deve estar sem defeitos (12). Não use discos de corte defeituosos.

**Aperte sempre o parafuso de montagem do disco de corte para um torque de 30 Nm. Caso contrário, o disco de corte pode se deformar.**

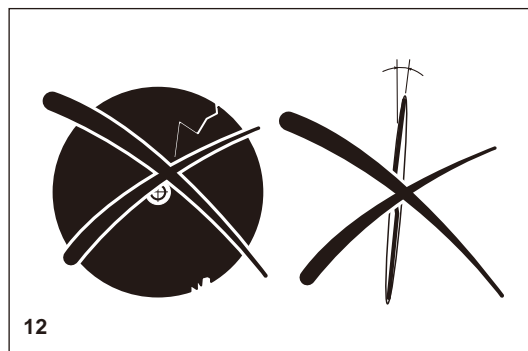
- Antes de iniciar o disco de corte, certifique-se de ter uma posição firme do pé.
- Coloque a Cortadora a Gasolina em operação somente conforme descrito neste manual de instruções (13). Coloque sempre seu pé esquerdo na empunhadura traseira e agarre a outra empunhadura firmemente (com os dedos e o polegar). Outros métodos de partida não são permitidos.
- Quando der partida à Cortadora a Gasolina, ela deve estar bem apoiada e segura com firmeza. O disco de corte não deve tocar em nada.
- Se o disco de corte for novo, faça o seu teste colocando-o para funcionar pelo menos 60 segundos na velocidade máxima. Quando fizer isso, certifique-se de que ninguém ou nenhuma parte do corpo está na faixa estendida de oscilação do disco, no caso de estar defeituoso e se soltar.
- **Quando trabalhar com a Cortadora a Gasolina, segure sempre com ambas as mãos.** Segure a empunhadura traseira com a mão direita e a empunhadura tubular com a mão esquerda. Segure as empunhaduras firmemente com os dedos polegares voltados para seus dedos.
- **ATENÇÃO: Quando liberar o acelerador, o disco continuará rodando por um curto período de tempo** (efeito de rotação por inércia).
- Certifique-se sempre de ter uma posição firme e equilibrada.
- Segure a Cortadora a Gasolina de forma que você não respire o gás de escape. Não trabalhe em recintos fechados ou em buracos ou trincheiras profundas (perigo de envenenamento pelos vapores).
- **Desligue imediatamente a Cortadora a Gasolina se você notar alguma mudança em seu comportamento de operação.**
- **Desligue o motor antes de inspecionar a tensão da correia V ou apertá-la, substituir o disco de corte, reposicionar o acessório de corte** (posição lateral ou mediana) **ou eliminar falhas** (14).
- Desligue o motor imediatamente e verifique o disco se ouvir ou sentir alguma mudança no comportamento de corte.
- Desligue a Cortadora a Gasolina quando der uma pausa ou parar o trabalho (14). Coloque a unidade de forma que o disco não esteja tocando nada e não possa colocar ninguém em perigo.
- Não coloque a Cortadora a Gasolina superaquecida sobre a grama seca ou qualquer objeto inflamável. O silencioso fica muito quente (perigo de incêndio).
- **IMPORTANTE:** Depois do corte úmido, desligue o alimentador de água e deixe o disco rodar pelo menos durante 30 segundos, para deixar sair toda a água restante e evitar corrosão.



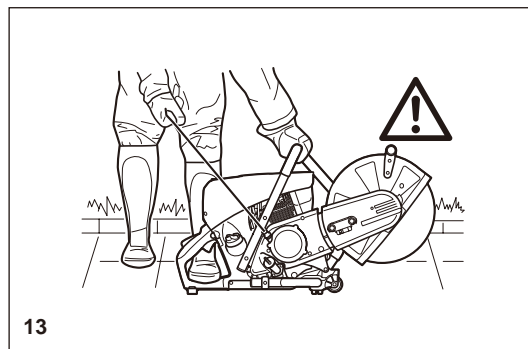
10



11



12



13



14

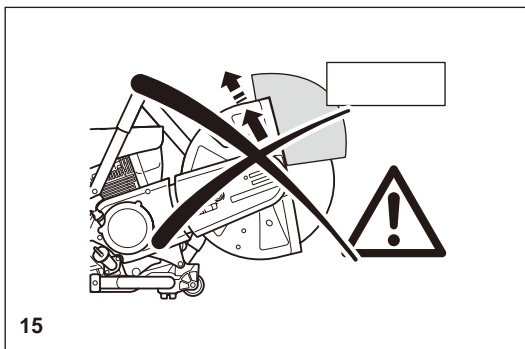
- Manutenção
- Reabastecimento
- Troca de discos de corte
- Reposicionamento do acessório de corte
- Parada do trabalho
- Transporte
- Desligamento da função

## Recuo e travamento

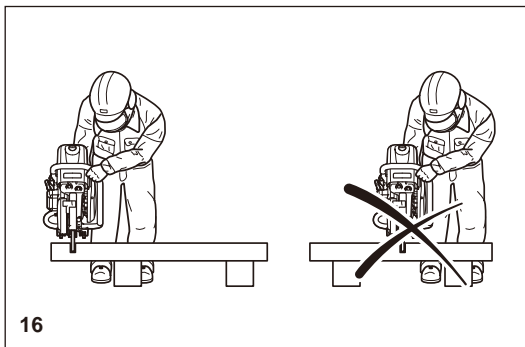
- Quando trabalhar com a Cortadora a Gasolina há perigo de recuo e travamento.
- O recuo ocorre quando a parte superior do disco de corte é usada para corte (15).
- Isso faz com que a Cortadora a Gasolina seja jogada em direção ao usuário com muita força e fora de controle. **Risco de ferimentos!**  
**Para evitar recuo, observe o seguinte:**
- Nunca corte com a seção do disco de corte mostrado na figura 15. **Tenha cuidado especial quando reinserir o disco nos cortes que já foram iniciados!**
- O travamento ocorre quando o corte se estreita (rachadura ou peça de trabalho sob estresse).
- Isso faz com que a Cortadora a Gasolina pule para frente de repente, descontrolada e com grande força. **Risco de ferimentos!**  
**Para evitar travamento, observe o seguinte:**
- Quando reinserir o disco nos cortes anteriores, faça a Cortadora a Gasolina funcionar na velocidade máxima. Sempre corte na velocidade máxima.
- Apoie sempre a peça de trabalho de forma que o corte esteja sob tensão (16), para que o corte não pressione junto e obstrua o disco de corte à medida que prossegue pelo material.
- Quando iniciar um corte, aplique o disco na peça de trabalho com cuidado. Não apenas enfie no material.
- Nunca corte mais de uma peça por vez! Quando cortar, certifique-se de que nenhuma outra peça de trabalho entra em contato.

## Comportamento/método de trabalho

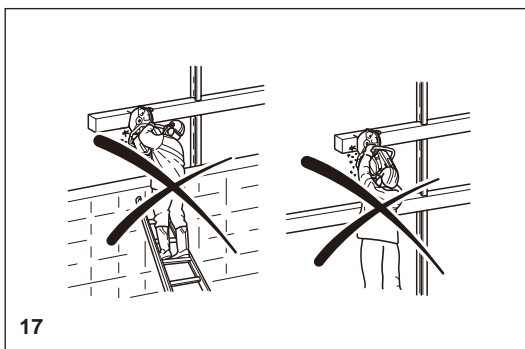
- Antes de começar o trabalho, verifique a área de trabalho quanto a algum perigo (fios elétricos, substâncias inflamáveis). Marque claramente a área de trabalho (por exemplo, com sinais de aviso ou ao cordão de isolamento na área).
- Quando trabalhar com a Cortadora a Gasolina, segure-a firmemente pelas empunhaduras frontais e traseiras. Nunca deixe a Cortadora a Gasolina desacompanhada!
- Sempre que possível coloque a Cortadora a Gasolina para funcionar na velocidade nominal (veja "Dados técnicos").
- Somente use a Cortadora a Gasolina durante períodos de boa luminosidade e visibilidade.  
Cuidado com áreas escorregadias ou molhadas, com gelo e neve (risco de escorregão).
- Nunca trabalhe em superfícies instáveis. Certifique-se de que não há obstáculos na área de trabalho, pois há risco de tropeçar. Assegure sempre que você tenha um.
- Nunca corte acima da altura de seu ombro (17).
- Nunca se posicione sobre uma escada para cortar (17).
- Nunca use a Cortadora a Gasolina enquanto estiver em um andaime.
- Não se incline muito quando estiver trabalhando. Quando colocar a Cortadora a Gasolina para descansar ou ao pegá-la, não se incline pela cintura, mas se agache dobrando os joelhos. Proteja suas costas!
- Guie a Cortadora a Gasolina de maneira que nenhuma parte de seu corpo esteja na faixa estendida de oscilação do disco (18).
- Use discos de corte somente para os materiais para os quais foram concebidos!
- Não use a Cortadora a Gasolina para levantar e remover como pá pedaços de material e outros objetos.  
**Importante!** Antes de cortar, remova todos os objetos estranhos, como pedras, cascalho, pregos, etc. da área de corte. Caso contrário, tais objetos podem voar pelo disco com grande velocidade. **Risco de ferimentos!**
- Quando cortar peças de trabalho até um comprimento, use um apoio firme. Se necessário, firme a peça de trabalho para não deslizar, mas não fixe-a com seu pé nem permita que outra pessoa a segure.
- Quando cortar itens arredondados, prenda-os sempre contra a rotação.
- Quando guiar a Cortadora a Gasolina pela mão, use a posição de montagem lateral do acessório de corte somente quando realmente necessário. Caso contrário, use sempre a posição central. Isso dá a unidade um equilíbrio, para menor fadiga do operador.



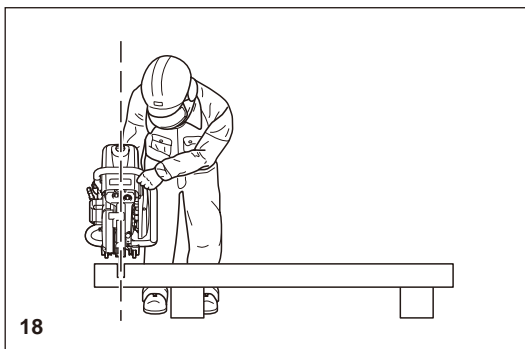
15



16



17



18

## Metais de corte

### ⚠ IMPORTANTE!

Use sempre proteção respiratória aprovada!

Materiais que podem liberar substâncias tóxicas podem ser cortados somente depois de notificar as autoridades apropriadas e sob supervisão destas ou de uma pessoa apontada pelas mesmas.

### ⚠ ATENÇÃO:

A rotação rápida do disco de corte aquece o metal e o derrete no ponto de contato. Balance a proteção para baixo o máximo possível atrás do corte (19) para direcionar o fluxo de faíscas para frente, longe do operador (risco de incêndio).

- Determine a direção do corte, marque o corte e aplique o disco no material em velocidade moderada para cortar uma ranhura guia antes de aumentar a velocidade para o máximo, aplicando mais pressão à Cortadora a Gasolina.
- Mantenha o disco reto e vertical. Não incline-o, pois isso pode quebrá-lo.
- A melhor maneira para obter um corte bom e limpo é puxar ou mover a Cortadora a Gasolina para frente e para trás. Não simplesmente pressione o disco no material.
- Tora redonda e grossa é melhor cortada em etapas (20).
- Tubulações e canos finos podem ser cortados com um simples corte para baixo.
- Corte de canos de diâmetro grande devem ser feitos como para tora redonda. Para evitar a inclinação e para um melhor controle, não deixe o disco afundar com muita profundidade no material. Em vez disso, corte sempre superficialmente em torno de toda a peça.
- Discos desgastados têm um diâmetro menor do que discos novos, portanto na mesma velocidade do motor eles possuem uma velocidade circunferencial efetiva mais baixa e, por isso, não cortam tão bem.
- Corte vigas I e barras L em etapas; consulte a Figura 21.
- Corte faixas e placas como canos: ao longo do lado amplo com um corte longo.
- Quando cortar material sob estresse (material apoiado ou material em estruturas), faça sempre um entalhe no lado do impulso (pressão) e depois corte a partir do lado de tensão, para que o disco não trave. **Proteja o material cortado para não cair!**

### ⚠ ATENÇÃO:

Se houver chance de que o material esteja sob estresse, esteja preparado para o seu recuo. Certifique-se de que você possa sair do caminho se precisar!

Tenha cuidado particular em terrenos com sucata, ferro-velho, em locais de acidente e com pilhas de material irregular. Peças precariamente equilibradas ou peças sob estresse podem agir de maneira imprevisível e podem deslizar, pular ou arrebentar. Proteja o material cortado para não cair! Exercite sempre extremo cuidado e use somente equipamento que esteja em perfeitas condições de trabalho.

Observe as regras de prevenção de acidentes e regulamentos de seu empregador e/ou seguradora.

## Corte de maçonaria e concreto

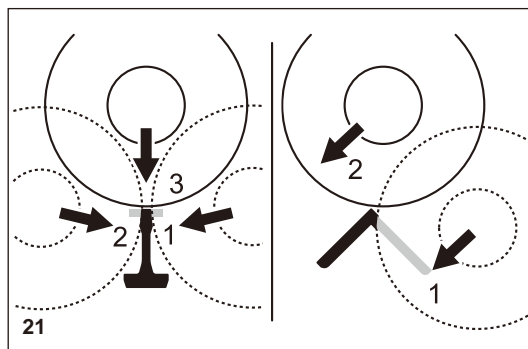
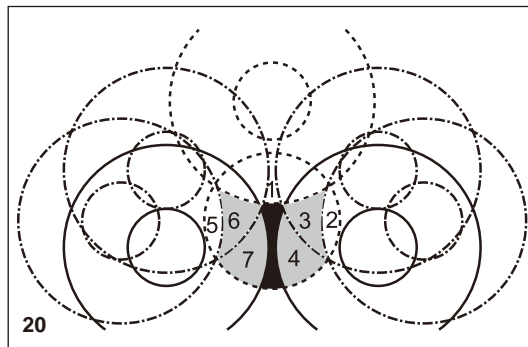
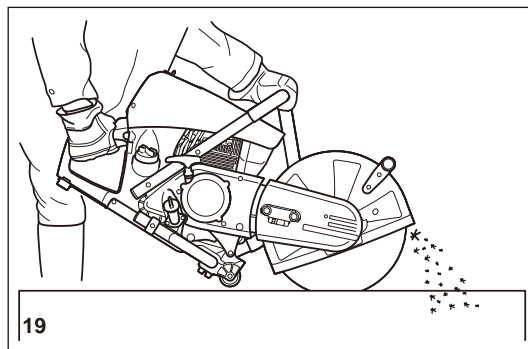
### IMPORTANTE!

Use sempre proteção respiratória aprovada!

Asbestos (amianto) e outros materiais que podem liberar substâncias tóxicas podem ser cortados somente depois de notificar as autoridades apropriadas e sob supervisão destas ou de uma pessoa apontada pelas mesmas. Quando cortar pilhas de concreto reforçado ou protendido, siga as instruções e as normas das autoridades responsáveis ou o construtor da estrutura. Varas de reforço devem ser cortadas na sequência prescrita e de acordo com os regulamentos de segurança aplicáveis.

### NOTA:

Argamassa, pedra e concreto desenvolvem grandes quantidades de poeira durante o corte. Para aumentar a vida do disco de corte (por resfriamento), melhorar a visibilidade e evitar geração de poeira excessiva, recomendamos veementemente o corte úmido em vez de corte seco.





No corte seco, o disco é molhado em uma taxa igual em ambos os lados por um filete de água. A MAKITA oferece os acessórios corretos para todas as aplicações de corte úmido (veja também "ACESSÓRIOS ESPECIAIS").

- Remova objetos estranhos, tais como areia, pedras e pregos encontrados na área de trabalho. **ATENÇÃO: Cuidado com fios e cabos elétricos!**

**A rápida rotação do disco de corte no ponto de contato joga fragmentos para fora da ranhura do corte em alta velocidade. Para sua segurança, balance a cobertura de proteção para baixo o máximo possível atrás do corte (23), para que os fragmentos de material sejam arremessados para frente, para longe do operador.**

- Marque o corte e depois faça uma ranhura de cerca de 5 mm (logo abaixo de 1/5"), ao longo de toda a extensão do corte planejado. Essa ranhura irá então orientar a Cortadora a Gasolina com precisão durante o corte atual.

#### NOTA:

Para cortes longos e retos, recomendamos o uso de carrinho (24, consulte também "ACESSÓRIOS ESPECIAIS"). Isso facilita muito orientar a unidade em linha reta.

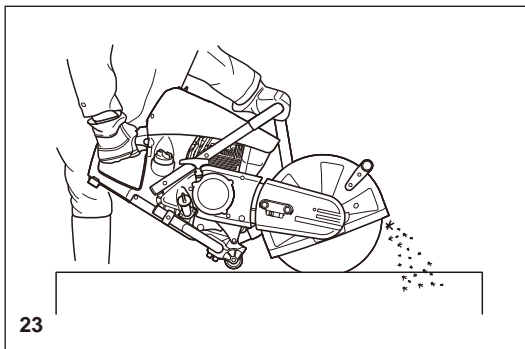
- Realize o corte com um movimento uniforme para frente e para trás.
- Quando cortar lajes em determinado tamanho, você não precisa cortar através de toda a espessura do material (criando poeira desnecessária). Em vez disso, simplesmente faça uma ranhura superficial, depois corte o excesso de material de maneira limpa em uma superfície plana (25).

#### CUIDADO!

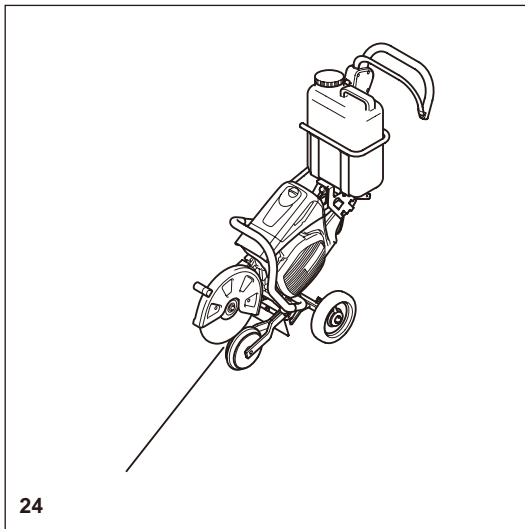
Quando cortar em comprimentos, cortar através de material, fizer cortes, etc., certifique-se de planejar a direção e a sequência dos cortes de maneira que o disco não seja obstruído pela peça cortada, e que ninguém possa se ferir pelas peças que caem.

#### Transporte e armazenamento

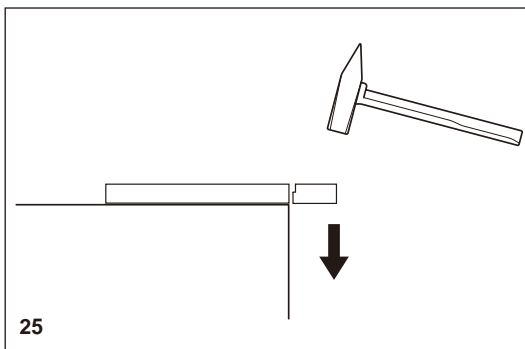
- **Desligue sempre a Cortadora a Gasolina quando transportá-la ou movê-la de um lugar a outro no local da obra (26).**
- **Nunca carregue ou mova a unidade com o motor ligado ou com o disco em movimento!**
- Carregue a unidade somente pela empunhadura tubular (meio) com o disco de corte apontando atrás de você (26). Evite tocar o escape (perigo de queimadura!)
- Quando mover a Cortadora a Gasolina em distâncias mais longas, use um carrinho de mão ou vagão.
- Quando transportar a Cortadora a Gasolina em um veículo, certifique-se de que esteja posicionada de forma que não vaze combustível. Remova sempre o disco de corte antes de transportar a unidade em um veículo.
- A Cortadora a Gasolina deve ser armazenada com segurança em um local seco. Ela não deve ser deixada ao ar livre! Desmonte sempre o disco de corte antes de armazenar. Mantenha a Cortadora a Gasolina longe de crianças.
- **Antes de armazenar por um longo prazo e antes de transportar a Cortadora a Gasolina, siga as instruções no capítulo "Armazenamento". Esvazie SEMPRE o tanque de combustível e funcione o carburador seco.**
- Quando armazenar discos de corte, tenha cuidado para:
- Limpe e seque-os bem.
- Armazene os discos deitando-os de modo nivelado.
- Evite umidade, temperaturas congelantes, luz direta do sol, altas temperaturas e flutuações de temperatura, pois isso pode causar a quebra e quebra em lascas.
- **Verifique sempre os novos discos de corte e os discos de corte que estiveram armazenados para assegurar que eles estão livres de defeitos.**



23



24



25



26

## Manutenção

- **Antes de realizar trabalho de manutenção, desligue a Cortadora a Gasolina (27) e retire a tampa do plugue.**
- Verifique sempre Cortadora a Gasolina antes de usá-la para ter certeza de que esteja em boa condição de funcionamento. Em particular, certifique-se de que o disco de corte está corretamente montado. Certifique-se de que o disco de corte não está danificado e é adequado para o trabalho para o qual será usado.
- Opere a Cortadora a Gasolina somente a um nível de baixo ruído e emissão. Para isso, certifique-se de que o carburador está ajustado corretamente.
- Limpe regularmente a Cortadora a Gasolina.
- Verifique a tampa do tanque de combustível quando à boa vedação.

**Observe as instruções relevantes de prevenção de acidentes emitidas pelas associações comerciais e companhias de seguros. NUNCA faça modificações na Cortadora a Gasolina! Você colocará somente sua própria segurança em risco!**

Realize somente a manutenção e os reparos descritos no manual de instruções.

Todos os outros trabalhos devem ser feitos pelo Serviço MAKITA (28).

Use somente peças de reposição e acessórios genuínos da MAKITA.

O uso de peças de reposição, acessórios ou discos de corte que não sejam da MAKITA aumenta o risco de acidentes. Não podemos aceitar qualquer responsabilidade por acidentes ou danos que ocorram em associação com o uso de discos de corte ou acessórios que não forem originais da MAKITA.



27



SERVIÇO

28

## Primeiros socorros (29)

Certifique-se de que uma caixa de primeiros socorros esteja sempre disponível nas proximidades. Reponha imediatamente qualquer item usado da caixa de primeiros socorros.

**Quando pedir ajuda, dê as seguintes informações:**

- Local do acidente
- O que aconteceu
- Número de pessoas feridas
- Tipo de ferimentos
- Seu nome!

### NOTA:

Os indivíduos que sofrem de má circulação e que são expostos a vibração excessiva, podem sofrer danos aos vasos sanguíneos ou ao sistema nervoso.

A vibração pode causar a ocorrência dos seguintes sintomas nos dedos, mãos ou pulsos: "Adormecimento" (entorpecimento), formigamento, dor, pontadas, alteração da cor da pele ou da própria pele.

**Se ocorrer qualquer um desses sintomas, consulte um médico!**



29



## Dados técnicos

Item		Modelo	EK7650H		EK7651H/EK7651HG	
Motor	Deslocamento	cm <sup>3</sup>	75,6			
	Orifício	mm	51			
	Golpes	mm	37			
	Potência máx.	kW	3,0			
	Torque máx.	Nm	4,6			
	Velocidade em marcha lenta	min <sup>-1</sup>	2.600			
	Embreagem		Sistema centrífugo automático			
	Limitação de velocidade do motor	min <sup>-1</sup>	9.100			
	Velocidade do eixo máx.	min <sup>-1</sup>	4.300			
	Carburador		Tipo de diafragma			
	Sistema de ignição (com limitação de velocidade)		Tipo ímã, sem contato			
	Vela de ignição	Tipo	NGK CMR6H			
	Separação entre os eletrodos	mm	0,5			
	Sistema de partida		Sistema de retrocesso			
	Consumo de combustível na carga máx. por ISO 8893	kg/h	1,2			
	Consumo específico na carga máx. por ISO 8893	g/kWh	400			
	Combustível		Gasolina de automóvel (combustível)			
	Capacidade do tanque de combustível	l	1,1			
	Lubrificante (óleo de motor)		Classificação API de óleo SAE 10W-30, Classe SF ou superior (motor de 4 tempos para automóvel)			
	Quantidade de lubrificante	l	0,22			
Corte de disco por 80 m/s ou mais alto <sup>1)</sup> (aprovado por DSA): dimensões	mm	300 / 20 / 5 <sup>2)</sup>	300 / 25,4 / 5 <sup>2)</sup>	350 / 20 / 5 <sup>2)</sup>	350 / 25,4 / 5 <sup>2)</sup>	
Diâmetro do furo central	mm	20,0	25,4	20,0	25,4	
Diâmetro do eixo	mm	17		17 ou 25,4 <sup>3)</sup>		
Diâmetro mínimo externo do flange	mm	102				
Profundidade máx. de corte	mm	97		122		
Dimensões da Cortadora a Gasolina (comprimento total x largura total x altura total)		761 mm x 310 mm x 435 mm			780 mm x 310 mm x 455 mm	
Correia V n°	n°	225094-6				
Peso total (tanques vazios, sem disco de corte)	kg	12,7		12,9		

1) Velocidade da circunferência na velocidade máx. do motor

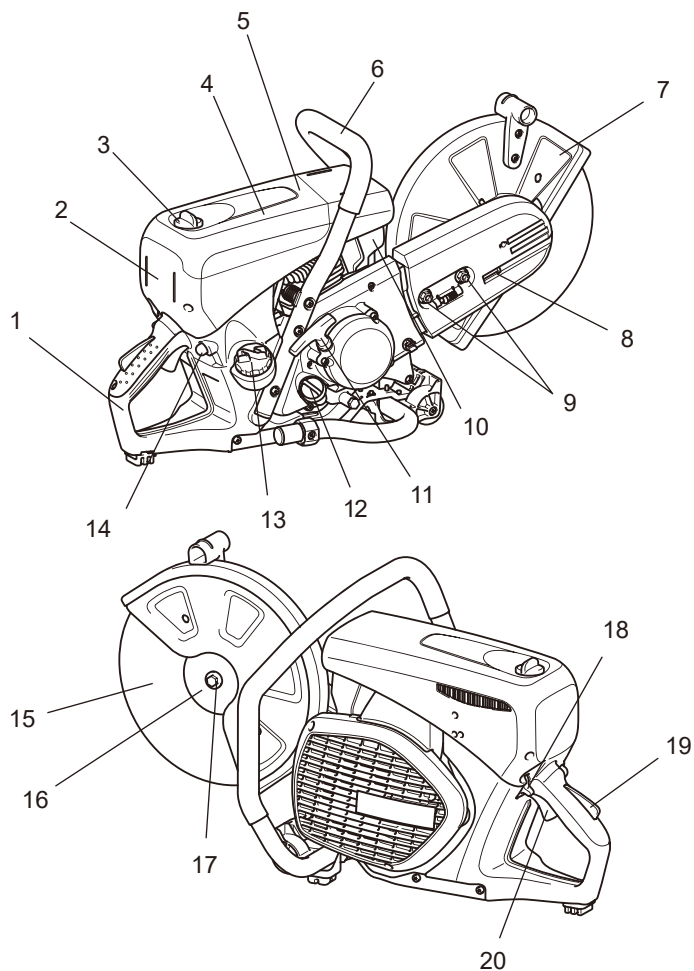
2) Diâmetro externo / orifício central / espessura

3) Específico ao país

EK7651HG: Este modelo se adapta ao uso com gasolina brasileira (E20 e E25).

## Denominação de componentes

1. Empunhadura traseira
2. Tampa do filtro
3. Parafuso de travar
4. Tampa superior para o filtro de ar e tampa da vela de ignição
5. Tampa superior
6. Empunhadura frontal
7. Cobertura de proteção
8. Parafuso de tensão
9. Porca sextavada
10. Silenciador de escape
11. Punho de partida
12. Tampa do tanque de óleo
13. Tampa do tanque de combustível
14. Bomba do combustível (bomba injetora)
15. Disco de corte
16. Flange externo
17. Parafuso hexagonal
18. Interruptor
19. Botão de trava de segurança
20. Acelerador





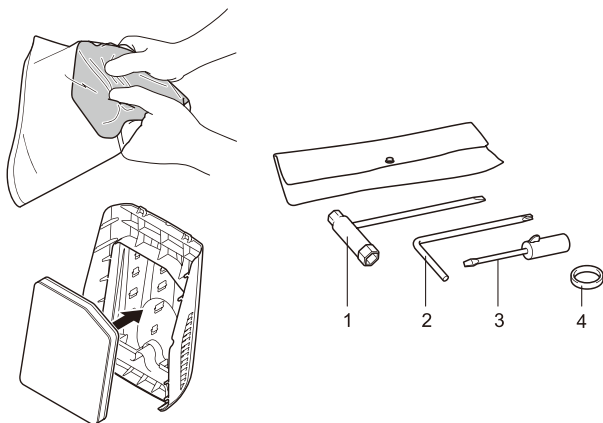
## COLOCAÇÃO EM FUNCIONAMENTO

### ⚠ ATENÇÃO:

**Desligue sempre o motor e retire a tampa da vela de ignição antes de fazer qualquer serviço na Cortadora a Gasolina! Use sempre luvas protetoras!**

### ⚠ ATENÇÃO:

**Inicie a Cortadora a Gasolina somente depois de montar e inspecionar completamente.**



Para o seguinte trabalho, use as ferramentas de montagem incluídas na entrega:

1. Chave de combinação 13/16 AF
2. Chave estrela
3. Chave de fenda de ajuste de carburador
4. Anel adaptador

Coloque a Cortadora a Gasolina em um superfície estável e realize as seguintes etapas de montagem:

### ⚠ Nenhum filtro de ar está instalado!

**Antes da operação, esprema o filtro fornecido várias vezes para que o óleo seja absorvido uniformemente por todo o filtro. Insira um filtro de espuma untado (pré-filtro) conforme mostrado na ilustração ao lado! Para fazer isso, retire a tampa do filtro (consulte o capítulo sobre Limpeza/troca do filtro de ar).**

## Montagem do disco de corte

### ⚠ AVISO:

- Quando instalar um disco de corte diamantado, certifique-se de montá-lo de forma que a seta esteja na mesma direção de rotação do flange externo (6). A montagem do disco de corte diamantado (4) com a direção de sua seta oposta àquela da cobertura do disco pode causar o desprendimento de lascas da borda do disco e ferimentos pessoais.
- Quando instalar um disco de corte (4), use sempre o anel que corresponde ao orifício do disco de corte e o diâmetro do eixo (5). A falha em usar anéis que combinam pode causar vibração da ferramenta, resultando em graves ferimentos pessoais.
- Use somente discos de corte com o orifício que corresponde ao diâmetro do(s) anel(éis) fornecido(s). Usar discos que não combinam pode causar vibração da ferramenta, resultando em graves ferimentos pessoais.
- Inspeccione um disco de corte quanto a danos. (consulte a seção intitulada "Discos de corte" em PRECAUÇÕES DE SEGURANÇA.)

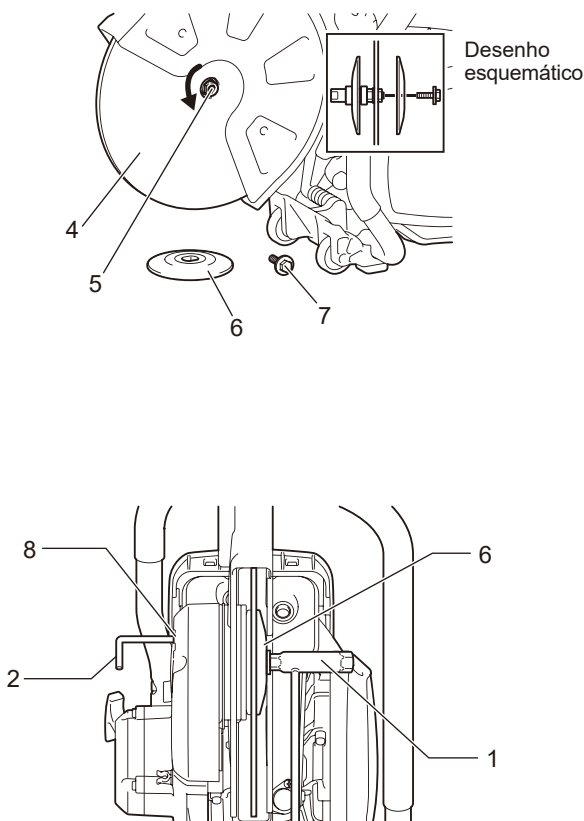
1. Insira a chave estrela (2) no orifício (8) para evitar a rotação do eixo (5).

**NOTA:** Quando o suporte do sistema de água de pressão estiver instalado no orifício da ferramenta, remova-o antes de montar o disco de corte.

2. Enquanto segura a chave (2) naquela posição, use a chave de combinação (1) fornecida e gire o parafuso (7) segurando o disco no sentido anti-horário e remova o parafuso (7) e o flange externo (6).
3. Monte um disco de corte diamantado/ disco de corte abrasivo (4) no furo central (5). Em seguida, coloque o flange externo (6) no eixo para que as duas superfícies planas paralelas no flange externo se encaixem na superfície plana do eixo e aperte firmemente o parafuso na direção horária.

Para instalar um disco de corte, monte um anel com o mesmo diâmetro correspondente do orifício do disco e o anel O-ring para reter o anel no eixo antes de instalar um disco de corte diamantado. Depois, instale o disco de corte.

**NOTA:** Aperte o parafuso sextavado com firmeza (25 - 31 Nm), caso contrário o disco de corte pode escorregar durante o corte.



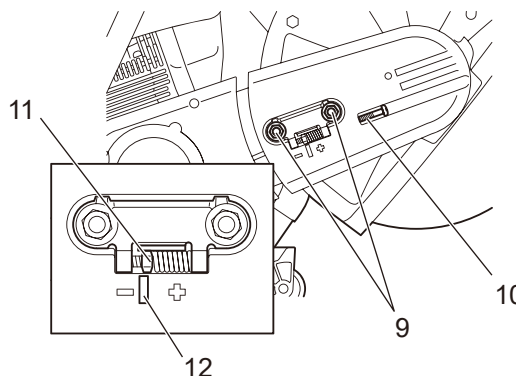
## Aperto da correia V / Verificação da tensão da correia V

### IMPORTANTE:

A tensão exata da correia V é essencial para o desempenho máximo do corte com o mínimo de consumo de combustível. A tensão incorreta da correia V resultará em desgaste prematuro da correia V e do disco da correia V, ou em danos ao mancal da embreagem.



**NOTA:** As duas porcas sextavadas (9) devem ser afrouxadas antes de apertar a correia V ou verificar a tensão. Para aumentar a tensão da correia, vire o parafuso de tensão (10) para a direita (direção horária) com a chave de combinação incluída com a Cortadora a Gasolina. A tensão da correia está ajustada corretamente quando a porca (11) está localizada conforme mostrado na figura, em comparação com a posição da marcação (12).



### IMPORTANTE:

- Depois do aperto/inspeção, certifique-se de apertar a porca sextavada (9) (25 - 31 Nm).
- Não ajuste a tensão da correia enquanto a máquina estiver quente. Há risco de ferimento por queimadura.

## Antes da operação

### 1. Verificação/reabastecimento do óleo de motor

- Com o motor no estado resfriado, verifique/reabasteça o óleo do motor da seguinte maneira.
  - Posicione o motor em um nível plano e verifique se o óleo está na faixa entre MAX e MIN do tanque de óleo.
  - Se óleo for insuficiente (próximo da marcação MIN do tanque de óleo), preencha o tanque de óleo até a marcação MAX.
  - A quantidade de óleo pode ser verificada externamente sem remover a tampa do óleo já que o nível de óleo pode ser visto na janela transparente de marcação de medida externa.
  - Para referência, o óleo precisa ser reabastecido a cada dez horas de operação (um tanque de óleo por dez reabastecimentos de combustível).
  - Troque o óleo descolorado ou extremamente sujo.
- <Óleo recomendado> .... Classificação API de óleo SAE 10W-30, Classe SF ou superior (motor de 4 tempos para automóvel).
- <Quantidade de óleo> ... 0,22 L (220 mL)

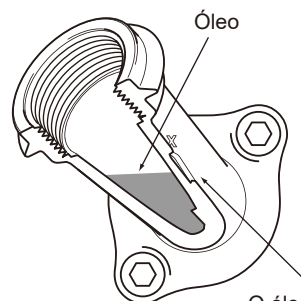
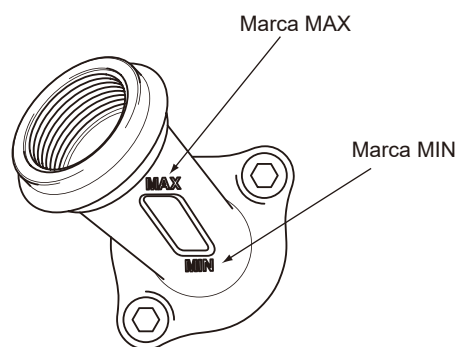
### NOTA:

- Se o motor não for guardado na posição ereta, o óleo irá circular pelo motor, o que significa que haverá óleo excessivo na Cortadora a Gasolina quando reabastecer.
- Se o óleo exceder a marcação MAX, ele pode vazar causando sujeira ou fumaça branca.

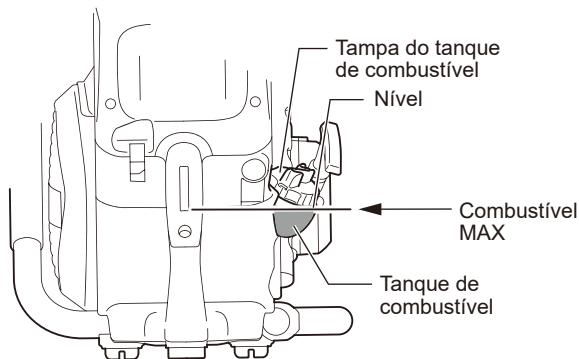
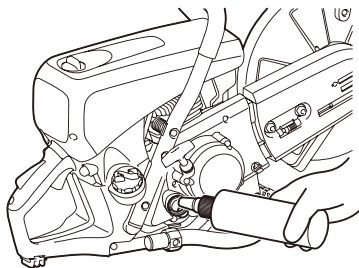
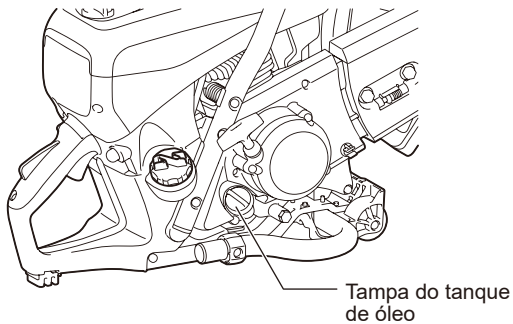
### Ponto 1 de substituição de óleo <tampa do óleo>

Intervalo de troca: Inicialmente, depois de 20 horas de operação e, subsequentemente, a cada 30 horas de operação.

- Limpe a sujeira em torno do gargalo de abastecimento de óleo e depois remova a tampa do óleo.
- Coloque a tampa do óleo em uma superfície onde não pegará partículas e sujeira. Se a tampa for colocada em um estado sujo, a circulação de óleo pode deteriorar e as peças do motor ficam desgastadas, o que pode causar falha mecânica.



O óleo é visível daqui, portanto as marcas MAX e MIN podem ser usadas para verificar a quantidade de óleo.



- (1) Coloque o motor nivelado e remova a tampa do óleo.
- (2) Abasteça óleo até a base do gargalo de abastecimento de óleo. Quando reabastecer óleo, use um recipiente de lubrificante para isso.
- (3) Aperte firmemente a tampa de óleo. Se a tampa do óleo afrouxar, pode vazar óleo.

#### Ponto 2 de substituição de óleo <O que fazer se derramar óleo>

Se derramar óleo entre o tanque de combustível e o motor, e a Cortadora a Gasolina for operada, o óleo será sugado pela entrada de ar frio, o que pode causar sujeira. Limpe sempre o óleo derramado antes de usar a Cortadora a Gasolina.

#### 2. Reabastecimento de combustível

##### ⚠ AVISO:

- **Observe sempre os seguintes itens quando reabastecer. Caso contrário, poderá causar chamas ou incêndio.**
  - Reabasteça longe de chamas. Além disso, nunca fume ou traga qualquer forma de chama para perto de combustível ou da Cortadora a Gasolina durante o reabastecimento.
  - Pare o motor e deixe-o esfriar antes de reabastecer.
  - Sempre abra a tampa do tanque de combustível devagar para liberar a pressão interna de maneira controlada. A falha em fazer isso pode fazer com que o combustível seja borrifado para fora devido à pressão interna.
  - Cuidado para não derramar combustível. Se derramar combustível, limpe completamente o que foi derramado.
  - Reabasteça em um local bem ventilado.
- **Sempre manuseie combustível com total cuidado.**
  - Se o combustível entrar em contato com a pele e/ou olhos, ele pode causar uma reação alérgica e/ou inflamação. Nos casos de tais reações alérgicas e/ou inflamação, busque atendimento médico imediatamente de um especialista.

##### <Período de armazenamento de combustível>

Como regra, combustível mantido em um recipiente próprio de combustível, em um local à sombra, com boa ventilação, deve ser usado dentro de quatro semanas. Se não for usado um recipiente de combustível apropriado e/ou a tampa não for colocada, etc., e a estação é o verão, o combustível pode deteriorar em um dia.

##### Armazenamento da Cortadora a Gasolina e do recipiente de combustível

- Armazene a Cortadora a Gasolina e o recipiente de combustível longe da luz direta do sol em um local fresco.
- Não deixe a Cortadora a Gasolina abastecida ou o recipiente de combustível em automóvel ou mala de carro.

##### <Combustível>

O motor é de 4 tempos, portanto use gasolina de automóvel (gasolina regular) para o funcionamento do motor.

EK7651HG: Este modelo se adapta ao uso com gasolina brasileira (E20 e E25).

##### Pontos sobre combustível

- Não use uma mistura de gasolina (óleo de motor misturado com gasolina). Fazer isso pode causar o acúmulo de carbono e falha mecânica.
- O uso de combustível velho pode causar uma partida ruim do motor.

##### <Reabastecimento>

Sempre pare o motor e deixe-o esfriar antes de reabastecer.

##### <Gasolina usável> ..... Gasolina de automóvel (combustível)

- Afrouxe lentamente a tampa do tanque de combustível para liberar pressão e, assim, equalizar a pressão de ar interna e externa.
- Remova a tampa do tanque de combustível e reabasteça. (Não encha até o topo do gargalo do tanque.)
- Depois do reabastecimento, aperte a tampa do tanque de combustível com firmeza.
- A tampa do tanque de combustível é um produto consumível. Portanto, se mostrar desgaste ou outras anormalidades, a substitua. (Um guia estimado de substituição é uma vez a cada dois ou três anos.)

## Operando

### Partida

#### ⚠️ AVISO:

Não dê partida no motor em locais onde o reabastecimento foi feito. Mova pelo menos três metros de distância do local onde a Cortadora a Gasolina foi abastecida.

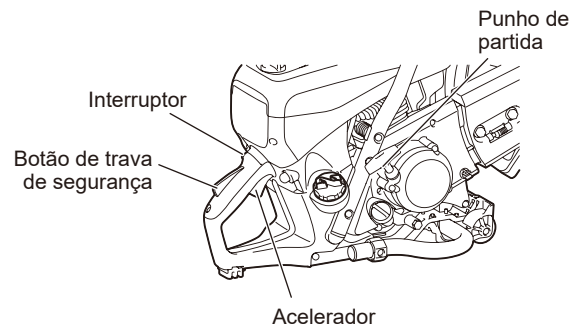
- Caso contrário, poderá causar chamas ou incêndio.

#### ⚠️ ATENÇÃO:

Antes de dar partida ao motor, certifique-se de verificar se o disco de corte não está tocando o chão ou outro obstáculo.

- Se o disco de corte estiver tocando o chão ou outro obstáculo, isso pode causar um acidente.

Assim que der partida no motor, o disco de corte irá girar, portanto esteja totalmente atento com pessoas e obstáculos nas proximidades.

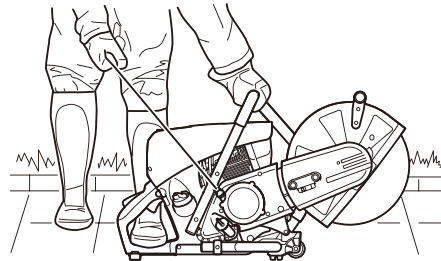


#### 1. Partida a frio

- (1) Pressione repetidamente a bomba injetora até que o combustível entre nela.
- (2) Vire o interruptor na direção de (afogador).
- (3) Pressione para baixo a empunhadura traseira com um pé e segure firmemente a empunhadura tubular com uma mão.
- (4) Puxe com vigor a empunhadura de partida repetidamente até que seja escutado o primeiro som de acionamento.

#### Aquecimento

- Quando o motor iniciar, segure pressionada a alavanca de segurança e aperte e solte repetidamente o acelerador durante um ou dois minutos para esquentar o motor.
- Quando a velocidade do motor estabilizar e girar fluidamente da velocidade baixa para a alta, o aquecimento está concluído.

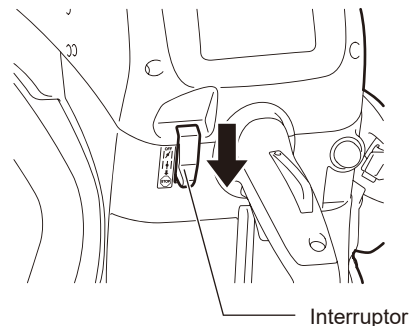


#### 2. Partida quando o motor estiver quente

Pressione a bomba injetora várias vezes. A partir do início, coloque o interruptor na posição (operação), e dê partida no motor usando a tarefa (3) do procedimento 1 acima.

#### NOTA:

- Puxar e soltar repetidamente o punho de partida com o interruptor ajustado para o afogador irá inundar o motor com combustível, dificultando a partida.
- Quando o motor parar, nunca aperte o acelerador. O aperto desnecessário do acelerador com o motor parando irá inundar o motor de combustível, dificultando a partida.
- Se o motor não ficar inundado com combustível, remova o plugue e puxe lentamente a empunhadura de partida várias vezes para remover o excesso de combustível. Além disso, seque a seção de eletrodo da vela de ignição.
- Não puxe a empunhadura de partida até o limite da corda, pois fazer isso encurta a vida útil da corda. Além disso, retorne suavemente a empunhadura de partida sem soltá-la de repente.
- Evite deixar a Cortadora a Gasolina funcionando na velocidade de marcha lenta máxima, pois fazer isso encurta a vida útil do motor.



#### 3. Parada

Para parar o motor, solte o acelerador e ajuste o interruptor para a posição (Parar).

Se a alavanca do afogador estiver movida de forma errada para a posição para parar a ferramenta, use a meia potência do acelerador para reiniciar.



## Ajuste do carburador

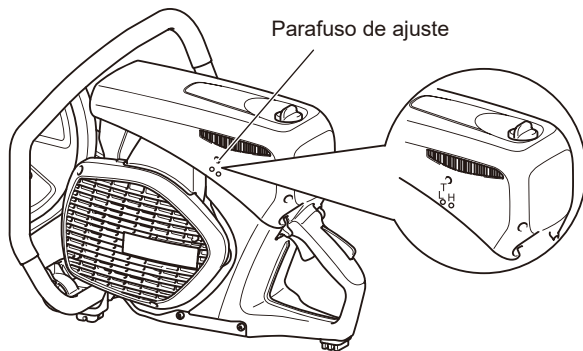
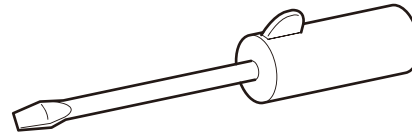


**NOTA:** Este motor é equipado com uma ignição eletrônica para limitar a velocidade. O carburador também possui um jato fixo que não pode ser ajustado.

Na fábrica, a velocidade de marcha lenta foi ajustada para aproximadamente 2.600 min<sup>-1</sup>, mas o processo de ativação de um novo motor pode exigir um ligeiro reajuste da velocidade de marcha lenta.

Ajuste a velocidade de marcha lenta com uma chave de fenda (largura da lâmina: 4 mm).

Uma chave de fenda com um suporte moldado, fornecido como um acessório opcional, é útil para o ajuste.



### 4. Ajuste de marcha lenta

**ATENÇÃO:** O ajuste de carburador pode ser feito somente por um especialista da assistência técnica MAKITA! Não faça quaisquer ajustes nos parafusos (H) e (L) sem um tacômetro! O ajuste incorreto pode levar a danos do motor! Um tacômetro é necessário para ajustar os parafusos de ajuste (H) e (L), porque se o motor funcionar acima de sua velocidade nominal máxima, ele pode esquentar demais e acabar com o lubrificante. Isso pode danificar o motor!

Somente parafuso de ajuste (T) pode ser manipulado pelo usuário. Se o disco de corte se mover em marcha lenta (ou seja, sem o acelerador ser pressionado), é imperativo corrigir a velocidade de marcha lenta!

O ajuste da velocidade de marcha lenta só pode ser feito quando o motor estiver aquecido, com um filtro de ar limpo. Use uma chave de fenda (lâmina de 4 mm) para ajustes de marcha lenta.

## MANUTENÇÃO

### ⚠ ATENÇÃO:

- Antes de executar qualquer serviço na Cortadora a Gasolina pare o motor e deixe-o esfriar, remova o disco de corte, puxe a tampa da vela de ignição e use luvas de proteção!

Execução de qualquer manutenção diretamente após parar o motor ou com a tampa do plugue da vela de ignição pode causar queimaduras provenientes do motor quente ou ferimentos devido à partida inválida.

- Inicie a Cortadora a Gasolina somente depois de montar e inspecionar completamente.
- Nunca utilize gasolina, benzina, solvente, álcool ou algo semelhante. Isso pode resultar em descoloração, deformação ou rachaduras.

### NOTA:

- Limpe a sujeira da Cortadora a Gasolina e depois selecione um local de trabalho para executar a manutenção.







## SERVIÇO

### IMPORTANTE:

Porque muitas das peças e montagens não mencionadas neste Manual de Instruções são vitais para a segurança da unidade, e porque todas as peças estão sujeitas a certo nível de desgaste, é importante para sua própria segurança que faça a verificação e manutenção da unidade regularmente pela assistência técnica MAKITA.

### IMPORTANTE:



Se o disco de corte quebrar durante o corte, a Cortadora a Gasolina deve ser consertada por uma assistência técnica MAKITA antes de ser usada novamente!

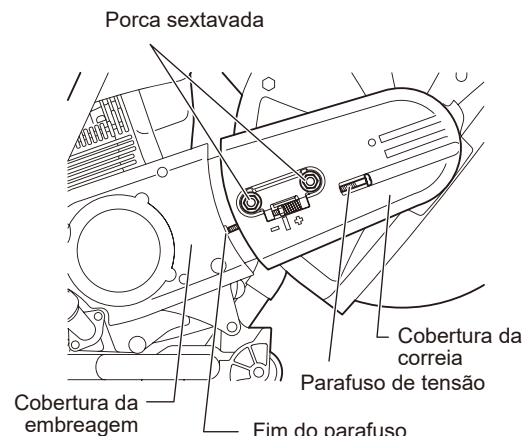
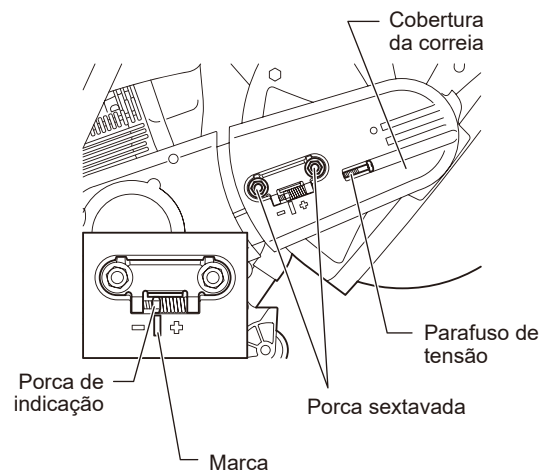
## Correia V

### 1. Ajuste da tensão da correia V

- Se o disco de corte parar facilmente no meio da operação, a correia V ficou frouxa. Se este for o caso, ajuste a tensão usando o seguinte procedimento.
- (1) Afrouxe as porcas de aperto da cobertura da correia.
- (2) Gire o parafuso de ajuste de tensão para a direita (sentido horário) até que a porca indicadora chegue à posição marcada para aumentar a tensão da correia V.
- (3) Quando a tensão da correia V estiver concluída, reaperte firmemente as porcas de aperto da cobertura da correia.
- Se o disco de corte parar facilmente, embora a tensão da correia V tenha sido ajustada, ou se a correia V quebrar, substitua por uma correia V nova.

### 2. Troca da correia V

- (1) Afrouxe a porca de aperto e gire o parafuso de ajuste de tensão para a esquerda até que o fim do parafuso seja visível.
- (2) Remova as porcas de aperto e depois remova a cobertura a correia.
- (3) Em seguida, remova os três parafusos de montagem e remova a cobertura da embreagem.
- (4) Remova a correia V velha e encaixe uma correia V nova. Agora, remonte a cobertura da embreagem seguida da cobertura da correia.
- (5) Ajuste a tensão conforme mostrado na seção de ajuste de tensão da correia V.



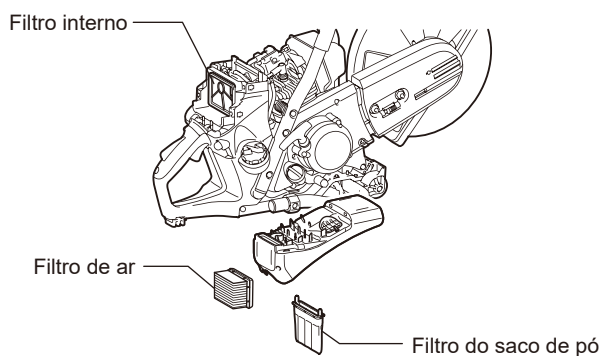
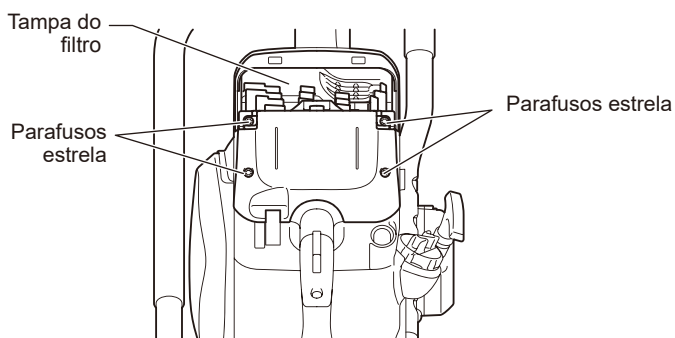
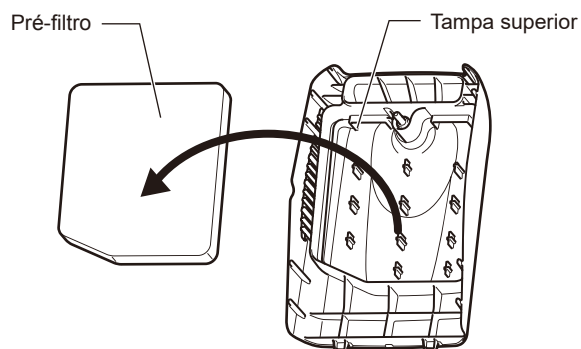
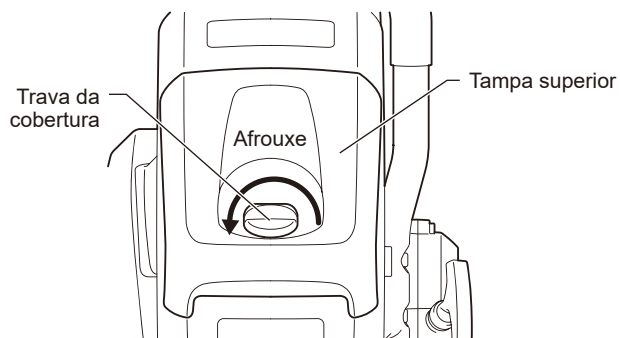
## Limpeza da cobertura de proteção

Com o tempo, a parte de dentro da cobertura de proteção pode ficar empastada com resíduo de material (especialmente do corte úmido), o que, se permitido acumular, pode impedir a rotação livre do disco de corte. Por essa razão, a cobertura deve ser limpa de tempos em tempos.

Retire o disco de corte e remova o material acumulado de dentro da cobertura com uma lâmina de madeira ou algo similar. Limpe o eixo e todas as peças desmontadas com um pano.

**NOTA:** Para instalar o disco de corte, consulte “Montagem do disco de corte”.



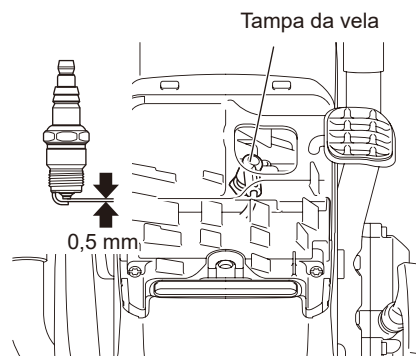
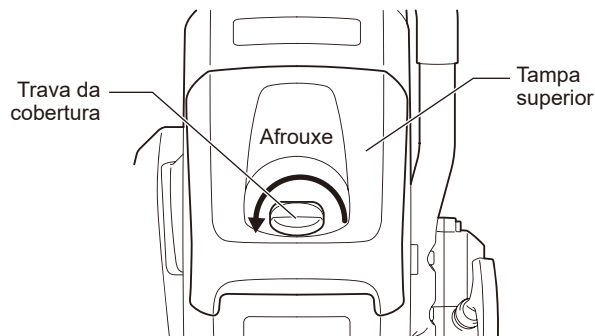


## Limpeza/troca do filtro de ar

- Se o filtro de ar ficar obstruído, isso pode causar um desempenho ruim do motor. Portanto, cada vez após o uso da Cortadora a Gasolina, certifique-se de limpar o filtro de ar da seguinte maneira:
- Vire a trava da cobertura para a esquerda e remova-a.
- Remova a tampa superior depois de soprar a poeira da mesma.
- Em seguida, remova o pré-filtro.
- Remova os quatro parafusos estrela.
- Retire a tampa do filtro.
- Remova o filtro de ar.
- Remova o filtro do saco de pó da tampa do filtro e bata suavemente e sopra até limpar.
- Bata gentilmente e sopra na parte interna do filtro para remover sujeira e pó. Além disso, lave periodicamente o filtro interno com água com sabão, e seque por completo.
- Paralimpar o filtro de ar, bata suavemente no mesmo. Se um compressor de ar for usado, sopra o ar comprimido para dentro do filtro de ar. Não lave o filtro de ar.
- Sopre o pó em torno dos filtros.
- Remonte o filtro de ar na tampa do filtro quando a limpeza estiver concluída.
- Aperte a trava da cobertura com firmeza.

## Manutenção da vela de ignição

- (1) Afrouxe a trava da cobertura e remova a tampa superior.
- (2) Abra a cobertura da vela, remova a tampa e a vela de ignição.
- (3) Verifique para ver se o intervalo do eletrodo tem ou não 0,5 mm. Se o intervalo for muito grande ou muito pequeno, ajuste-o para 0,5 mm.
- (4) Se carbono e/ou sujeira coletar na vela de ignição, limpe e depois remonte. Uma vela de ignição excessivamente desgastada ou queimada deve ser substituída por uma nova.
- (5) Depois de realizar a manutenção na vela de ignição, remonte-a, coloque a tampa da vela e prenda-a.



## Substituição do cabeçote de sucção

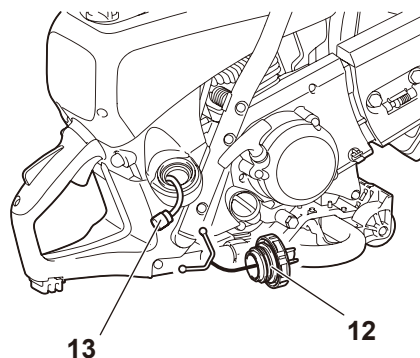
O filtro do tanque de combustível (13) do cabeçote de sucção ficou obstruído. É recomendado substituir o cabeçote de sucção uma vez a cada três meses para assegurar o fluxo desimpedido de combustível ao carburador.

Desparafuse a tampa do tanque de combustível (12) e puxe para fora a tampa de prevenção de perda.

Tanque de combustível vazio.

Para remover o cabeçote de sucção para substituição, puxe-o para fora do gargalo de preenchimento do tanque usando um pedaço de arame torcido em uma extremidade para formar um gancho.

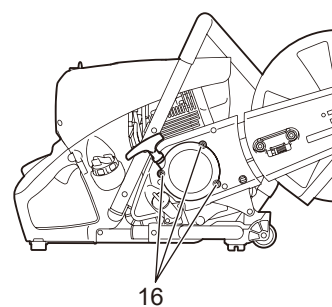
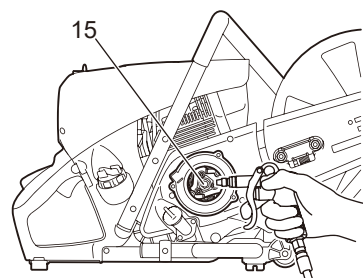
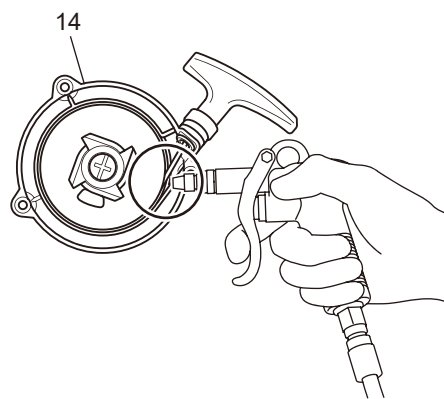
**⚠ ATENÇÃO:** Não permita que o combustível entre em contato com a pele!



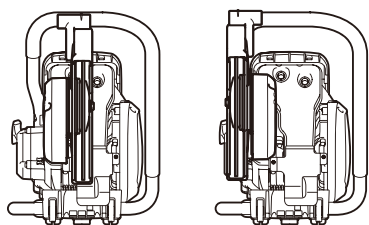
## Limpeza da ignição

Quando a ignição não funcionar bem, por exemplo, a corda de arranque da ignição não retorna à posição inicial, é necessário soprar a poeira da ignição (14) e da embreagem (15).

Para limpar a ignição e a embreagem, remova três parafusos (16) para ter acesso.



Direção de montagem



A

B

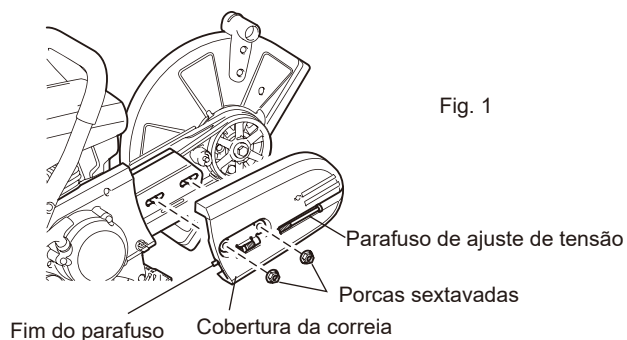


Fig. 1

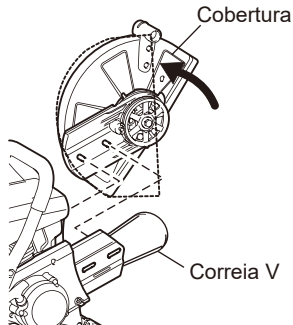


Fig. 2

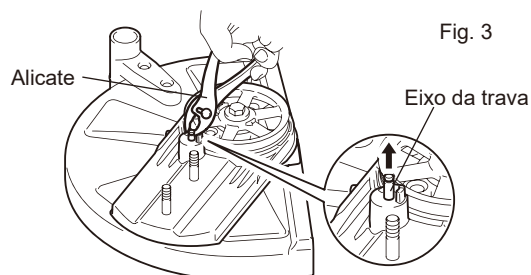


Fig. 3

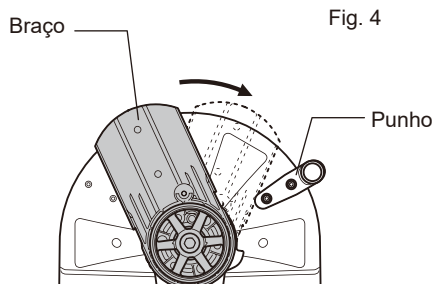


Fig. 4

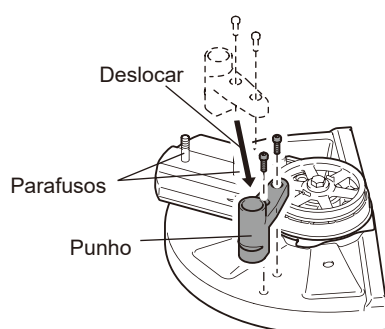


Fig. 5

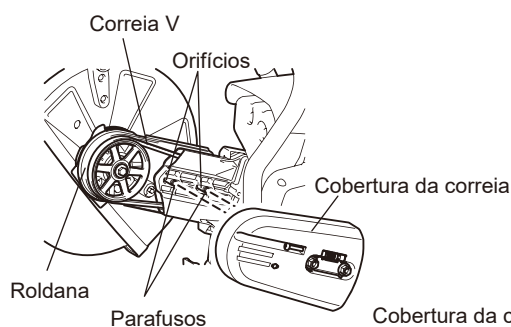


Fig. 6

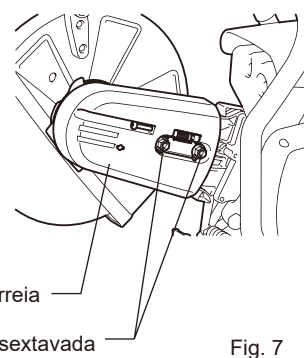


Fig. 7

## Troca da posição do acessório de corte (central/lateral)

### Direção de montagem da cobertura

- O acessório de corte da Cortadora a Gasolina é montado na direção mostrada na Fig. A. Se desejado, use o seguinte procedimento para montá-lo na direção mostrada na Fig. B.

### Montagem na direção B

- (1) Afrouxe a porca de aperto e gire o parafuso de ajuste de tensão para a esquerda até que o fim do parafuso seja visível. (Fig. 1)
- (2) Remova as porcas de aperto e remova a cobertura da correia. (Fig. 1)
- (3) Gire a cobertura até a posição da linha quebrada. Remova a correia V e depois remova o acessório de corte da Cortadora a Gasolina. Reposicione o punho. (Fig. 2)
- (4) Pegue o eixo de trava com uma chave de fenda entalhada ou um alicate. (Fig. 3)
- (5) Gire o braço até entrar em contato com o punho e retorne com a mão o eixo da trava para a posição original. (Fig. 4)
- (6) Vire o acessório de corte removido, passe o parafuso pelo orifício, e remonte na direção B. Remonte a correia V na roldana. (Fig. 6)
- (7) Monte a cobertura da correia. (Fig. 7) Gire o parafuso de ajuste de tensão para ajustar a tensão da correia V. Quando o ajuste de tensão estiver terminado, aperte firmemente a porca de aperto.

## ACESSÓRIOS ESPECIAIS

### Discos de corte diamantado

Os discos de corte diamantado MAKITA atendem às mais altas demandas de segurança do trabalho, facilidade de operação e desempenho de corte econômico. Eles podem ser usados para cortar todos os materiais **exceto metal**.

A alta durabilidade dos grãos diamantados assegura o baixo desgaste e, portanto, uma longa vida útil com quase nenhuma troca em diâmetro de disco pela duração do disco. Isso oferece um desempenho de corte consistente e, assim, de alta economia. As excelentes qualidades de corte dos discos facilitam o corte.

As placas do disco de metal oferece funcionamento altamente concentrado para mínima vibração durante o uso.

O uso dos discos de corte diamantados reduz significativamente o tempo de corte.

Isso, por sua vez, leva a custos operacionais mais baixos (consumo de combustível, desgaste de peças, além de danos ambientais).

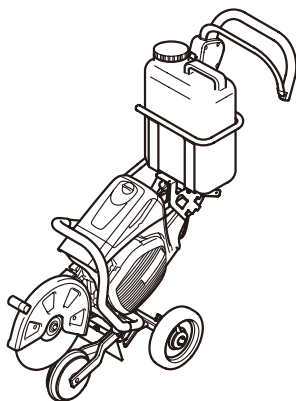
### Carrinho de mão guia

O carrinho de mão guia MAKITA facilita fazer cortes retos, enquanto habilita simultaneamente o trabalho incansável. Ele pode ser ajustado para a altura do operador e pode ser operado com o acessório de corte montado no meio ou na lateral.

Um limitador de profundidade pode ser acrescentado para um corte ainda mais fácil e mais preciso. Isso possibilita manter uma profundidade precisa de corte predeterminado.

Para manter ao mínimo o nível de pó e para o resfriamento do disco de corte, a MAKITA oferece várias opções para molhar o disco durante a operação.

- Conjunto de carrinho  
Este é útil para corte em leito de estrada
- Conjunto de filtro  
Pré-filtro (5 filtros)  
Filtro de ar (1 filtro)  
Filtro do saco de pó (1 filtro)



### Tanque de água (o componente do carrinho)

O tanque de água é projetado para ser montado no carrinho guia. Sua alta capacidade o torna especialmente adequado para situações envolvendo mudanças frequentes de local. Para preencher ou troca rápida dos tanques reservas, o tanque pode ser simplesmente levantado do carrinho.

O tanque de água vem com todas as conexões necessárias e mangueiras. Montagem no carrinho e na Cortadora a Gasolina é muito rápida e simples.

### Sistema de água de pressão / serviço público

O sistema de água de pressão / serviço público foi concebido para ser montado na Cortadora a Gasolina. Ele pode ser usado com ou sem o carrinho, mas é especialmente adequado para aplicações envolvendo o corte estacionário e manual. A linha de água possui uma conexão de rápida liberação e pode ser alimentada por serviço público ou por um tanque de pressão (7).

O sistema de água vem com todas as linhas e conexões necessárias. Ele pode ser montado facilmente com rapidez na Cortadora a Gasolina.

## Tabela de manutenção

Item	Inspeção	Regularidade
Óleo de motor	Inspeção/limpeza	Antes de começar o trabalho
	Trocar	Inicialmente, depois de 20 horas de operação e, subsequentemente, a cada 30 horas de operação.
Disco, parafuso de aperto, cobertura	Inspeção visual	Antes de começar o trabalho
Sistema de acelerador	Verificação funcional	Antes de começar o trabalho
Filtro de ar	Bater gentilmente ou trocar.	Mensalmente (a cada 50 horas de operação)
Filtro do saco de pó	Limpe ou troque.	Semanalmente (a cada 20 horas de operação)
Pré-filtro	Lave a sujeira grossa com água corrente ou substitua e aplique óleo.	Diário (a cada 8 horas de operação)
Vela de ignição	Verificação visual ... Limpar, ajustar ou substituir	Implementar conforme achar apropriado
Correia V	Inspeccionar visualmente o status do desgaste (cuidado com a tensão excessiva no momento da troca).	Antes de começar o trabalho
Filtro do tanque de combustível	Inspeccionar visualmente e trocar dependendo do nível de sujeira.	Implementar conforme achar apropriado
Porcas e parafusos	Inspeccione visualmente e corrija.	Antes de começar o trabalho

- Certifique-se de usar peças e consumíveis designados e genuínos.

## Localização de falha

Falha	Sistema	Observação	Causa
O disco de corte não começa a girar	Embreagem	O motor funciona	Dano à embreagem
O motor não inicia ou está com dificuldades	Sistema de ignição	Fagulha de ignição OK	Falha no suprimento de combustível ou sistema de compressão, defeito mecânico
	Suprimento de combustível	Nenhuma fagulha de ignição	Botão STOP (parar) sendo operado, falha na fiação ou curto-circuito, vela de ignição ou conector com defeito, falha do módulo de ignição
		Tanque de combustível cheio	Posição incorreta do afogador, carburador defeituosos, tubo de suprimento de combustível torto ou bloqueado, combustível sujo
	Sistema de compressão	Nenhuma compressão ao manobrar	Vedação inferior do cilindro defeituosa, vedações danificadas do eixo de manivelas, anéis de cilindro ou pistão defeituosos ou vedação imprópria da vela de ignição
	Falha mecânica	Ignição não se engajando	Mola de ignição quebrada, peças quebradas dentro do motor
Embreagem		A contaminação se adere à embreagem e em torno das peças	Mola da catraca contaminada e aberta, limpe-a
Problemas de início com aquecimento	Carburador	Existência de fagulha de ignição em tanque cheio	Carburador contaminado, deve ser limpo
O motor inicia, mas morre imediatamente	Suprimento de combustível	Tanque cheio	Ajuste incorreto da marcha lenta, cabeça da sucção ou carburador contaminados Ventilação defeituosa do tanque de combustível, tubo de suprimento de combustível interrompido, falha do cabo ou botão STOP
Desempenho insuficiente	Vários sistemas podem ser afetados simultaneamente	Marcha lenta do motor ruim	Filtro de ar contaminado, carburador contaminado, silencioso entupido, duto de escape no cilindro entupido



## Resolução de problemas

Antes de solicitar reparos, verifique o problema por si mesmo. Se qualquer anormalidade for encontrada, controle sua máquina de acordo com a descrição deste manual. Nunca adultere ou desmonte qualquer peça de forma contrária à descrição. Para reparos, entre em contato com o representante de assistência técnica autorizado ou revenda local.

Estado de anormalidade	Causa provável (funcionamento defeituoso)	Solução
O motor não dá partida	Falha em operar a bomba de esvaziamento	Empurre de 7 a 10 vezes
	Velocidade de reboque baixa da corda de arranque	Puxe com força
	Falta de combustível	Coloque combustível
	Filtro de combustível entupido	Limpar
	Cano de combustível quebrado	Ajeite o cano de combustível
	Combustível deteriorado	O combustível deteriorado dificulta a partida. Troque por novo. (Recomenda-se troca: 1 mês)
	Sucção excessiva de combustível	Ajuste o acelerador da velocidade média para a alta, e puxe o punho de ignição até que o motor dê partida. Uma vez que o motor iniciar, o disco de corte começa a girar. Preste atenção total ao disco de corte. Se o motor não der partida ainda, remova a vela de ignição, seque o eletrodo e remonte-os como estavam originalmente. Em seguida, dê partida conforme especificado.
	Tampa removida	Anexe firmemente
	Vela de ignição contaminada	Limpar
	Folga anormal da vela de ignição:	Ajuste a folga
	Outra anormalidade da vela de ignição	Trocar
	Carburador anormal	Solicite inspeção e manutenção.
	Corda de arranque não consegue ser puxada	Solicite inspeção e manutenção.
	Sistema de acionamento anormal	Solicite inspeção e manutenção.
Contaminação na embreagem e em torno das peças	Limpar	
Motor pára logo A velocidade da máquina não aumenta	Aquecimento insuficiente	Execute a operação de aquecimento
	Alavanca do afogador está ajustada para "H", embora o motor esteja aquecido.	Ajustado para "ON III" (ligado)
	Filtro de combustível entupido	Limpar
	Filtro de ar contaminado ou entupido	Limpar
	Carburador anormal	Solicite inspeção e manutenção.
	Sistema de acionamento anormal	Solicite inspeção e manutenção.
O disco de corte não gira ↓ Pare o motor imediatamente	Parafuso de aperto do disco de corte está frouxo	Aperte com firmeza
	Sistema de acionamento anormal	Solicite inspeção e manutenção.
A unidade principal vibra anormalmente ↓ Pare o motor imediatamente	Disco de corte está quebrado, torto ou gasto	Troque a lâmina de corte
	Parafuso de aperto do disco de corte está frouxo	Aperte com firmeza
	Sistema de acionamento anormal	Solicite inspeção e manutenção.
O disco de corte não pára imediatamente ↓ Pare o motor imediatamente	Alta rotação de marcha lenta	Ajustar
	Ligação do acelerador desprendida	Solicite inspeção e manutenção.
	Sistema de acionamento anormal	Solicite inspeção e manutenção.
O motor não pára ↓ Rode o motor em marcha lenta e ajuste a alavanca do afogador para "H"	Conector removido	Anexe firmemente
	Sistema elétrico anormal	Solicite inspeção e manutenção.

Quando o motor não der partida depois da operação de aquecimento:

Se não for encontrada anormalidade para os itens verificados, abra o acelerador cerca de 1/3 e dê partida ao motor.

## Armazenamento

### AVISO:

**Ao drenar combustível, pare sempre o motor, deixe-o esfriar e então faça a drenagem do combustível.**

- A drenagem do combustível diretamente após parar o motor pode causar chamas ou fogo, o que pode causar queimaduras.

### ATENÇÃO:

**Se a Cortadora a Gasolina não for usada por um longo período de tempo, drene todo o combustível e armazene a Cortadora a Gasolina em um local seco e limpo.**

- Use os seguintes procedimentos para drenar combustível do tanque de combustível e carburador.
  - (1) Remova a tampa do tanque de combustível, drene o combustível até o tanque fique vazio.  
Neste momento, verifique se há material estranho dentro do tanque de combustível. Se houver, remova.
  - (2) Use um pedaço de arame, etc., para retirar o filtro de combustível do gargalo do tanque.
  - (3) Pressione a bomba injetora até que todo o combustível seja forçado de volta ao tanque de combustível, depois certifique-se de limpar este combustível do tanque de combustível.
  - (4) Retorne o filtro de combustível para sua posição no tanque de combustível, depois reaperte firmemente a tampa do tanque de combustível.
  - (5) Por fim, coloque o motor para funcionar até ele parar.
  - (6) Remova a vela de ignição e drene as poucas gotas de óleo de motor do orifício do soquete.
  - (7) Puxe lentamente a empunhadura de partida para circular o óleo pelo motor, depois remonte a vela de ignição.
  - (8) Coloque o combustível drenado em um recipiente de combustível apropriado e guarde-o em um local à sombra que seja bem ventilado.





Makita Corporation

Anjo, Aichi, Japan

[www.makita.com](http://www.makita.com)

885023C362

ALA