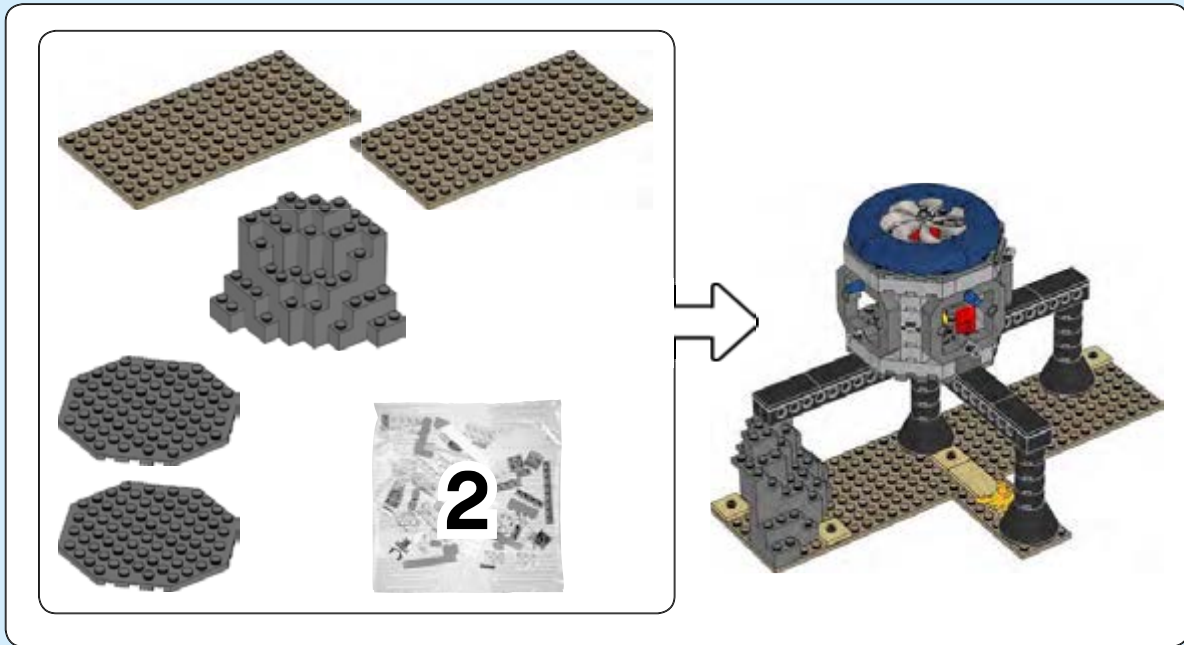




CITY

60265





2



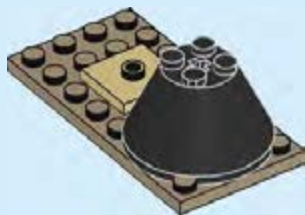
1



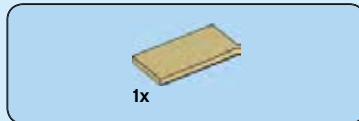
3



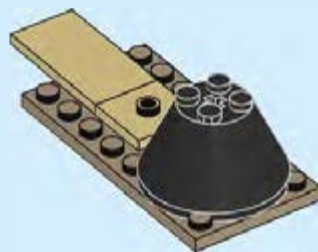
2

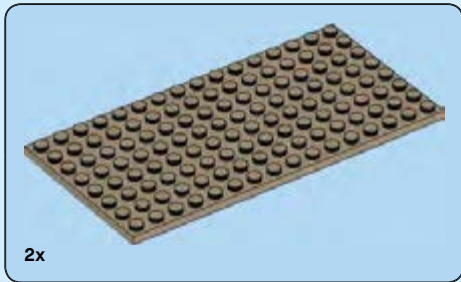


4

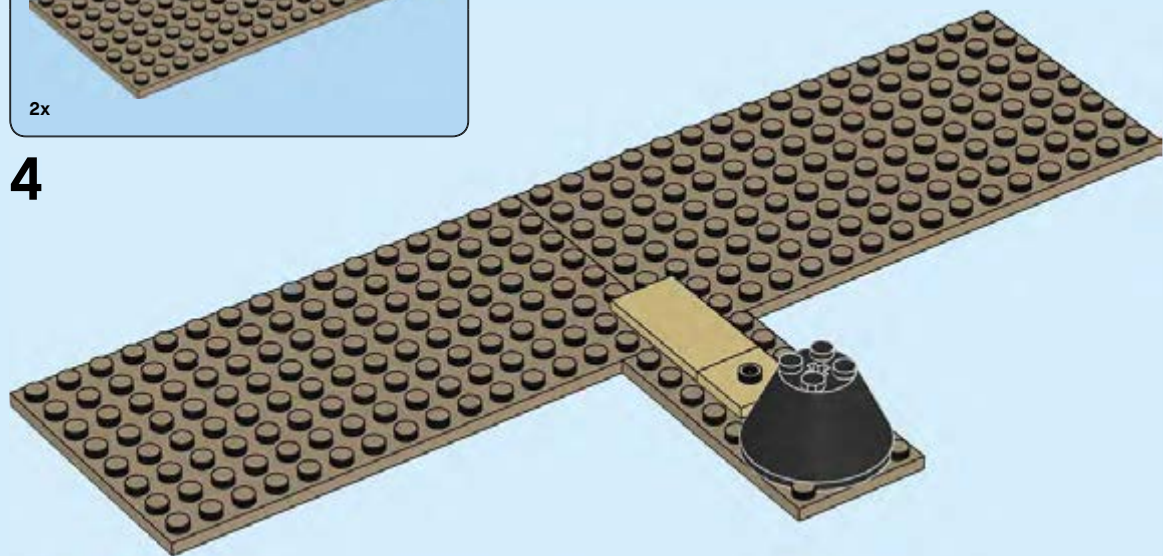


3





4



5

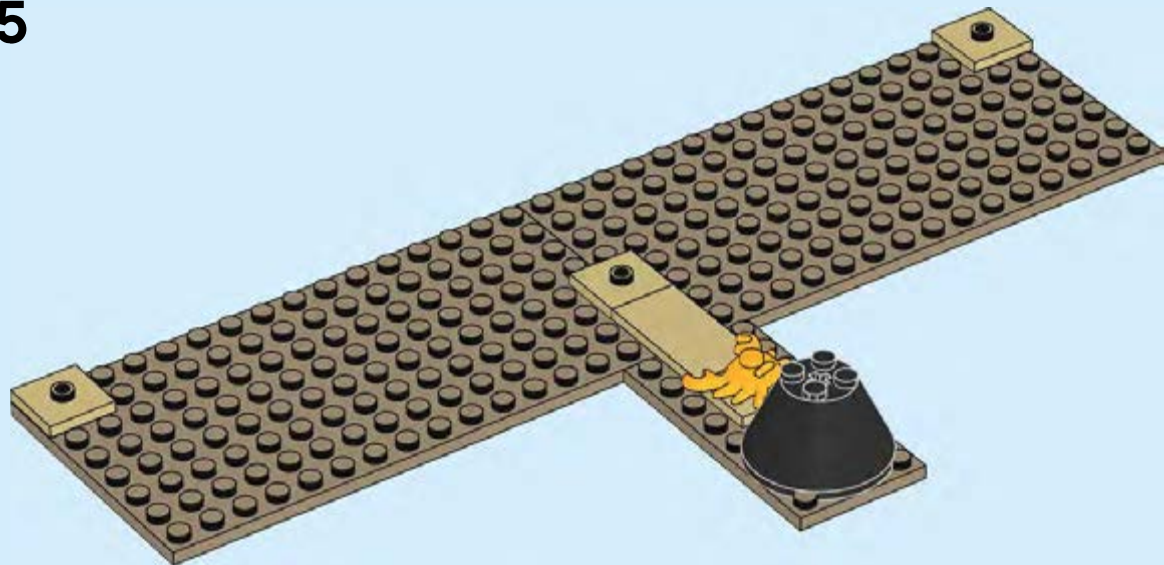


3x



1x

5



6



6

1



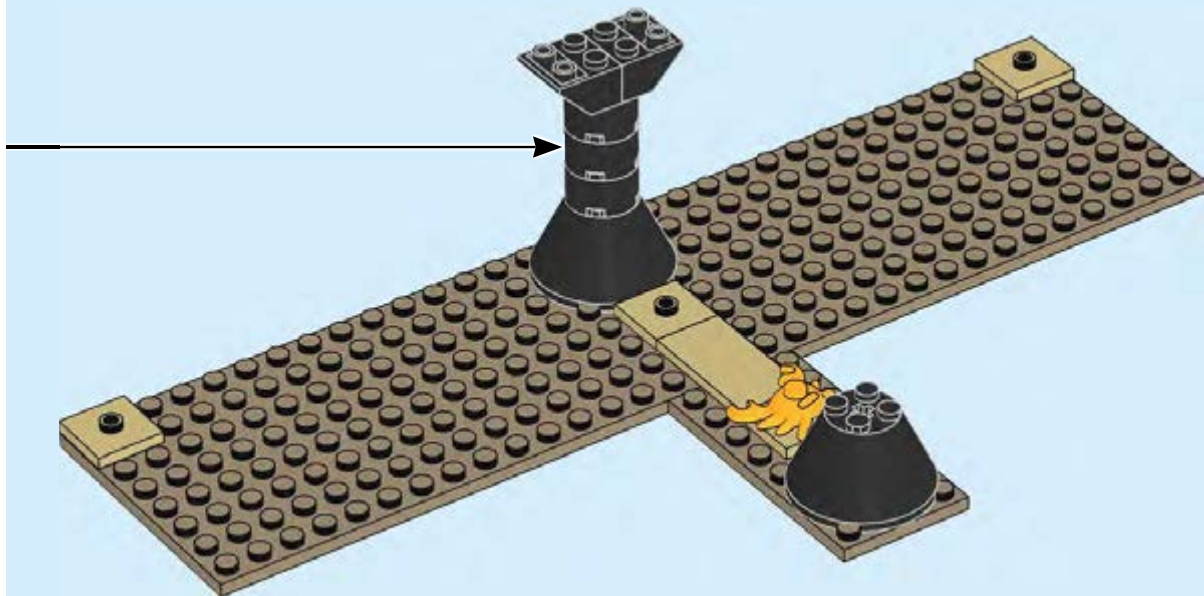
2



3



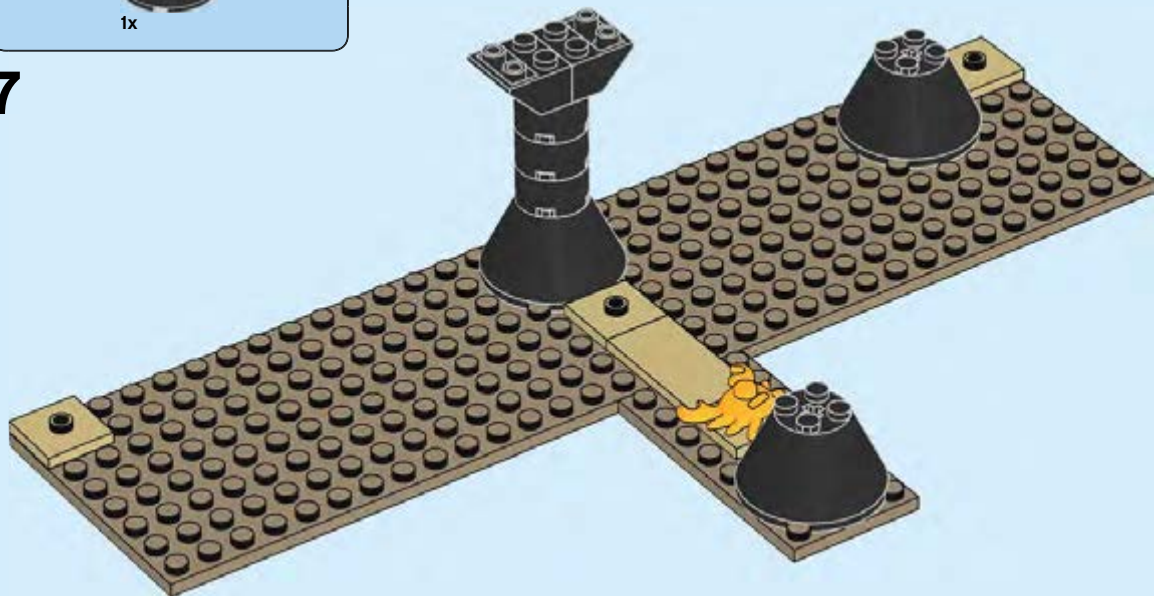
7



8



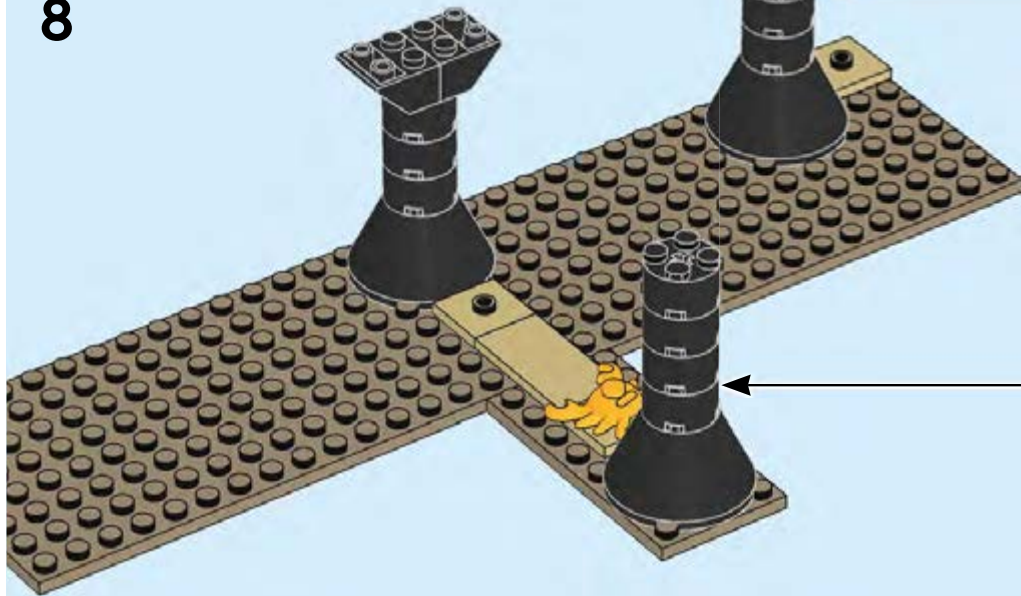
7





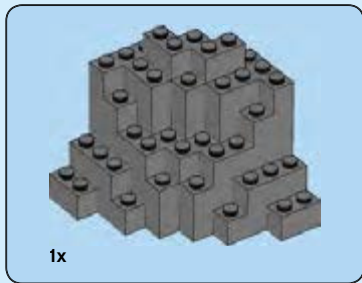
8x

8

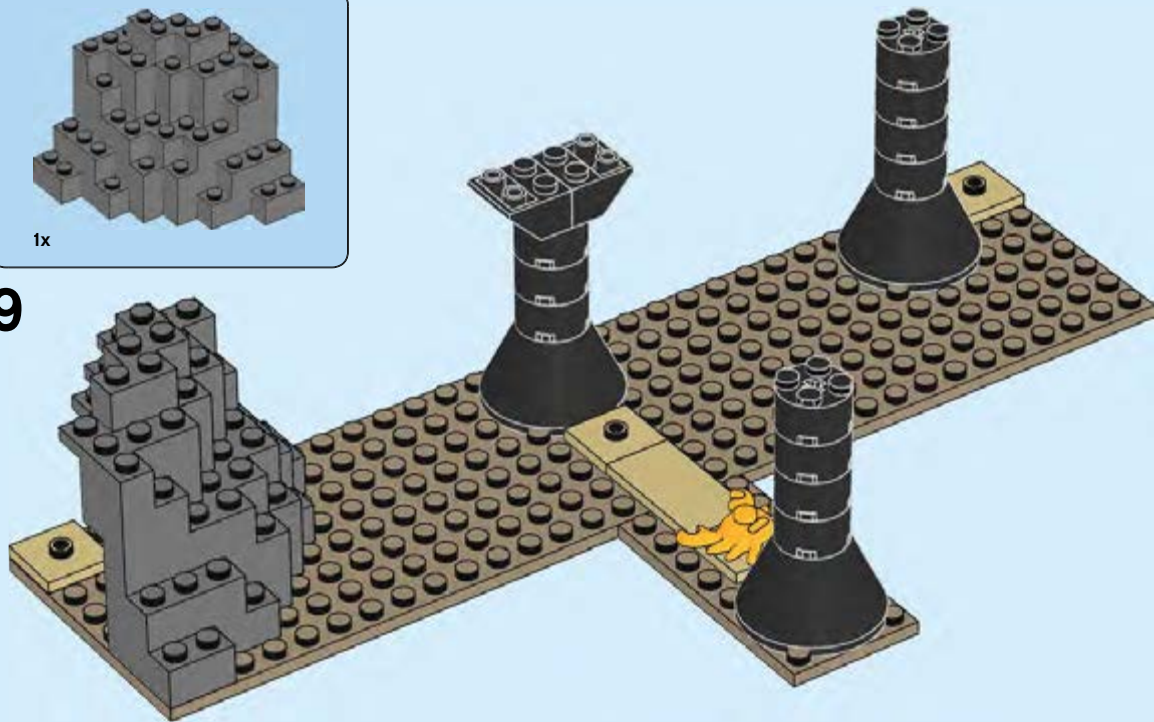


2x

10



9





1x

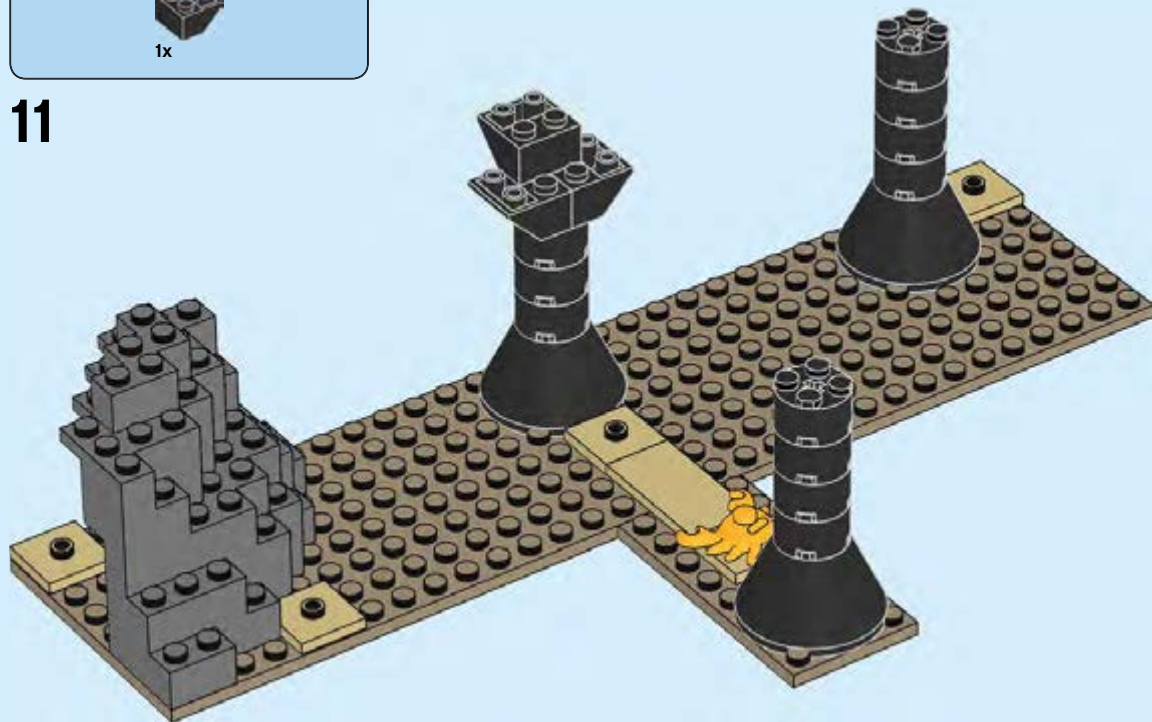
10



12



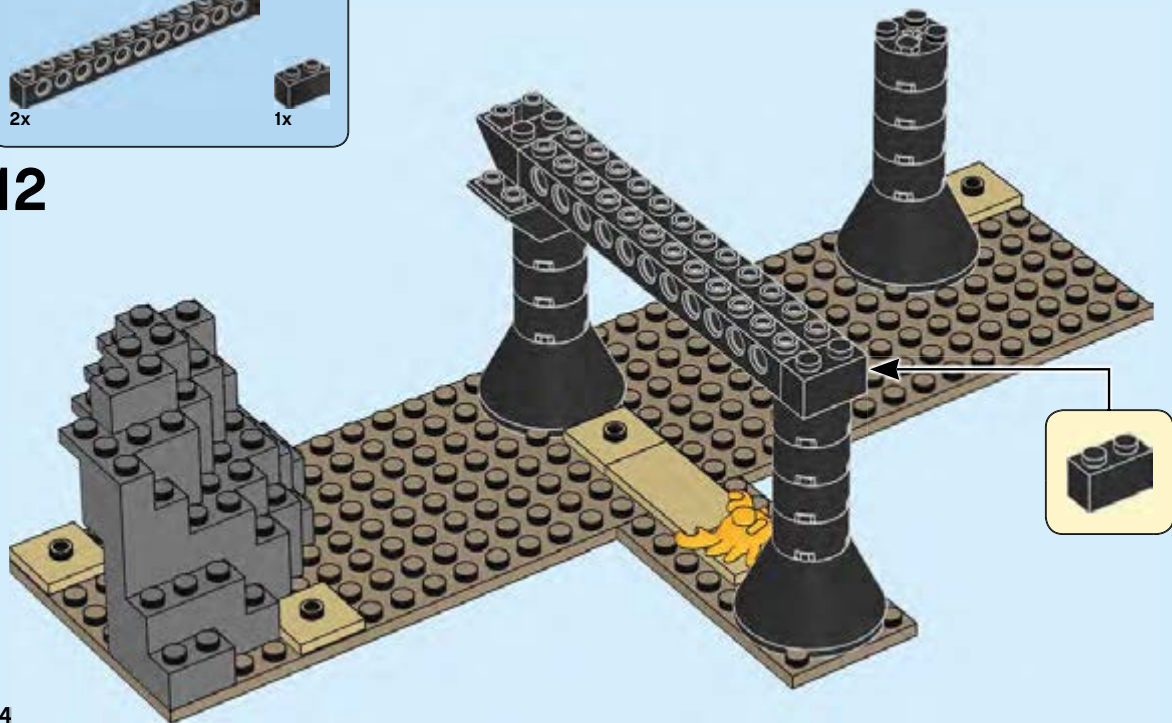
11



13



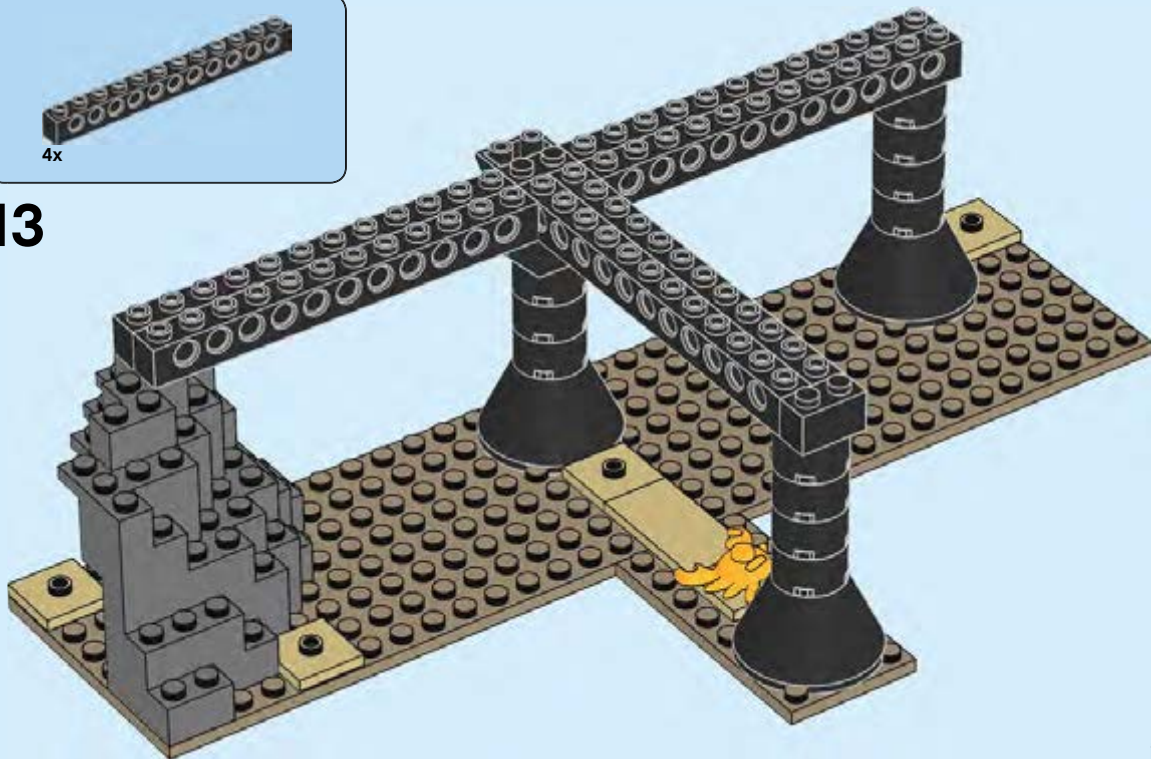
12



14



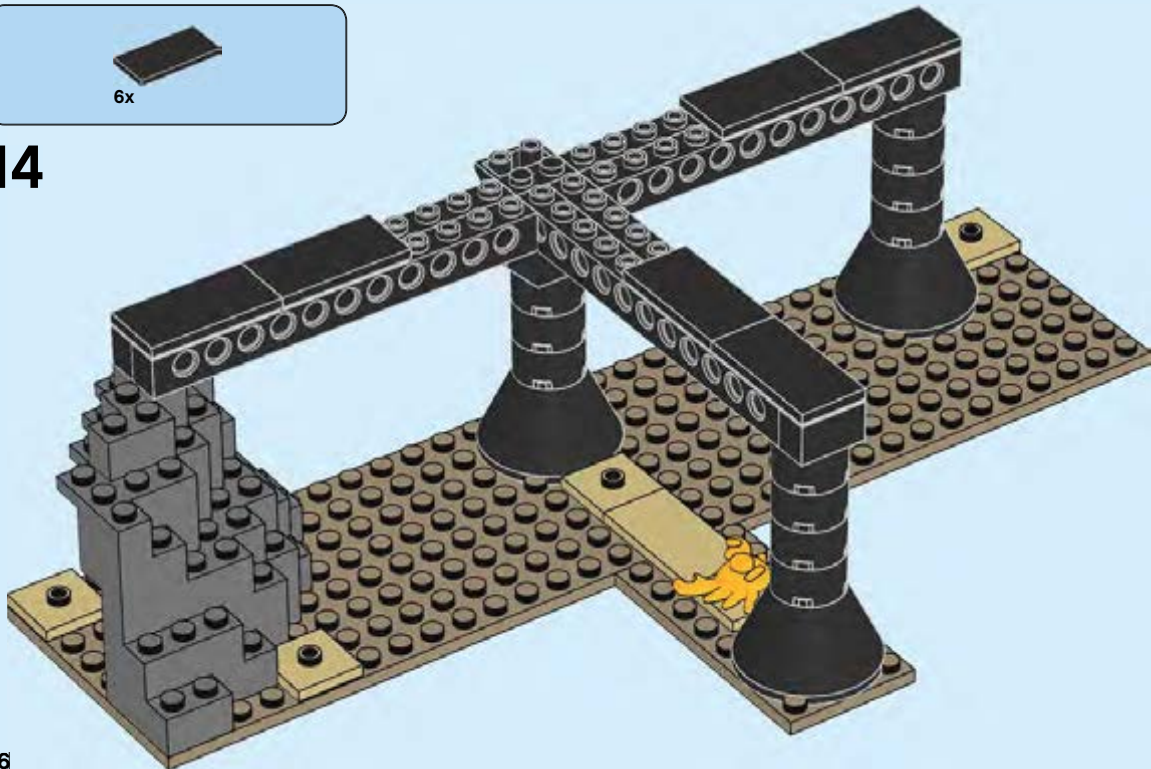
13



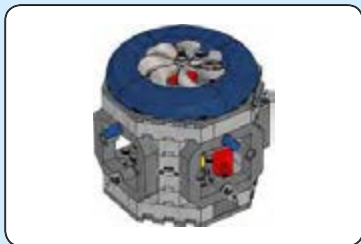
15



14



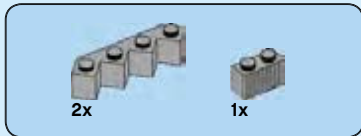
16



15



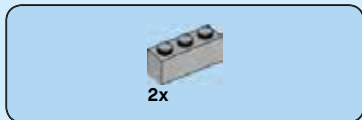
17



16

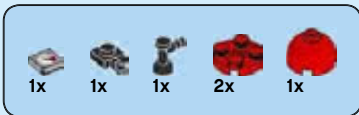


18

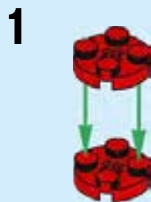


17

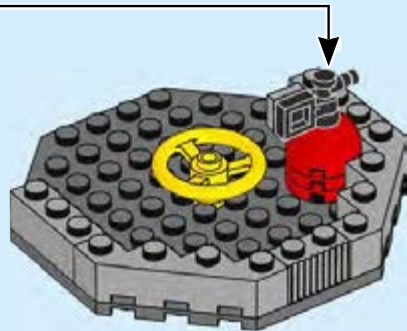


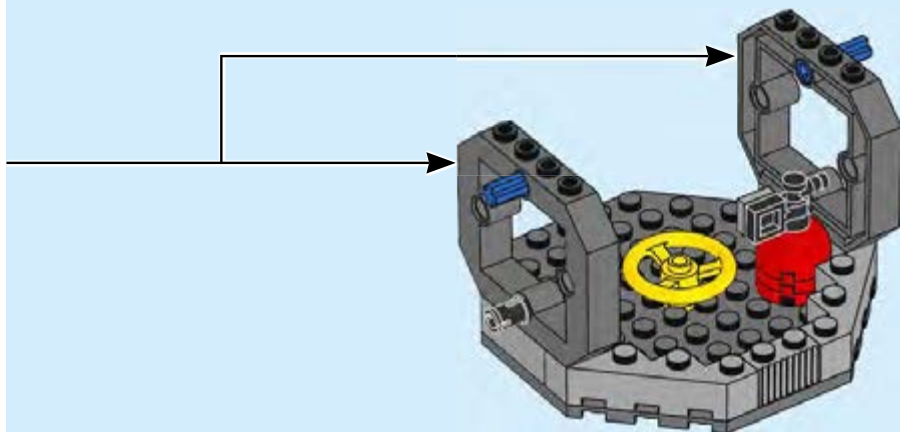


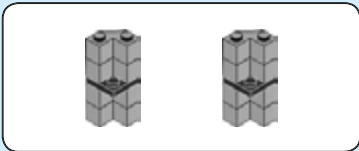
18



20

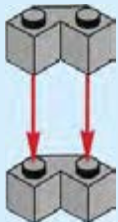






20

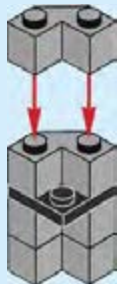
1



2

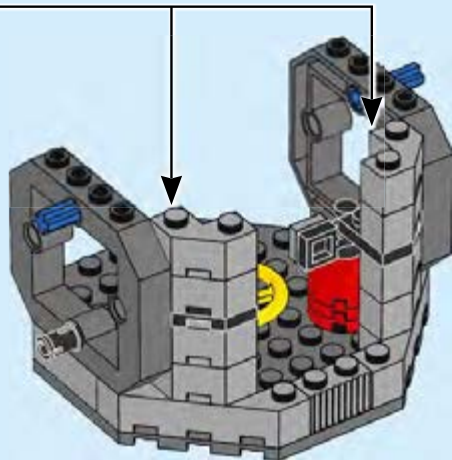


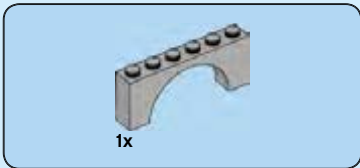
3



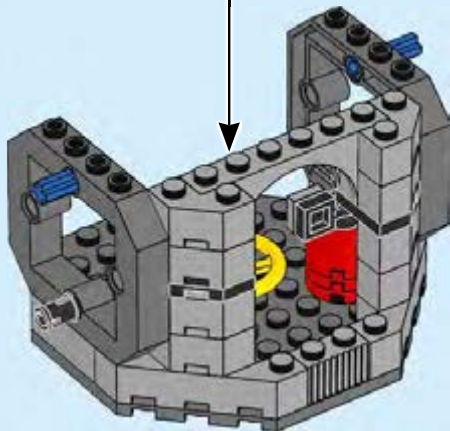
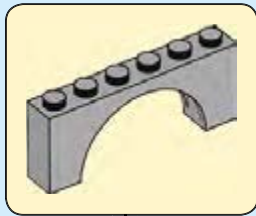
2x

24

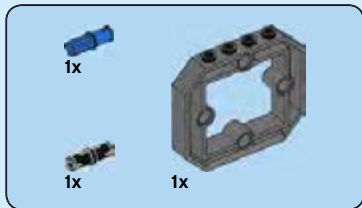




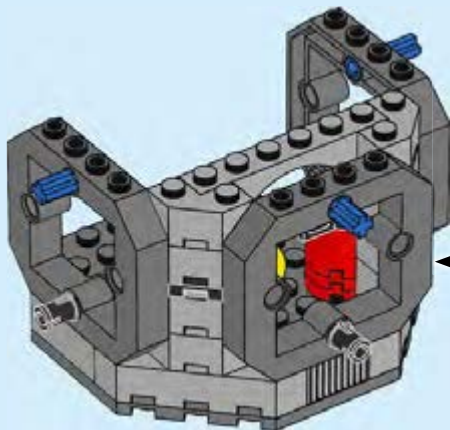
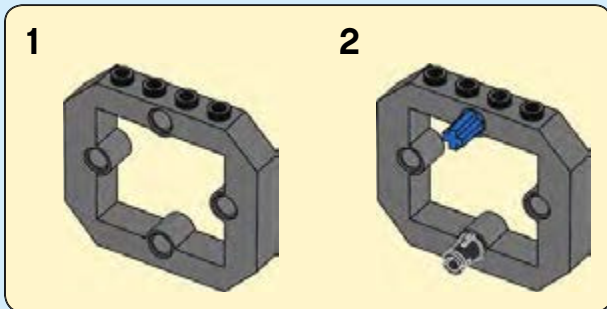
21



26



22

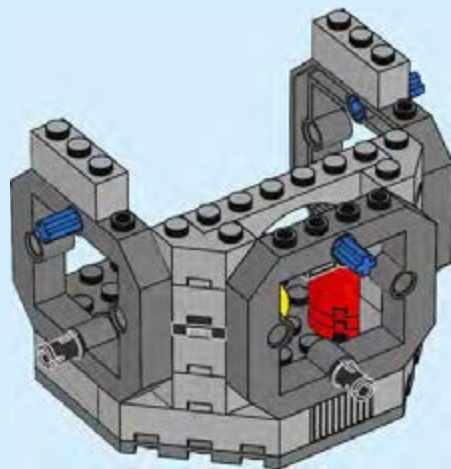


27

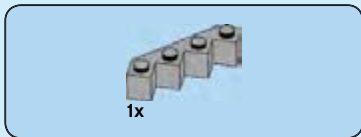


2x

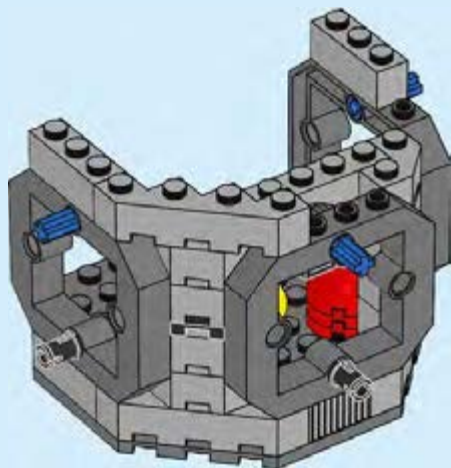
23



28



24



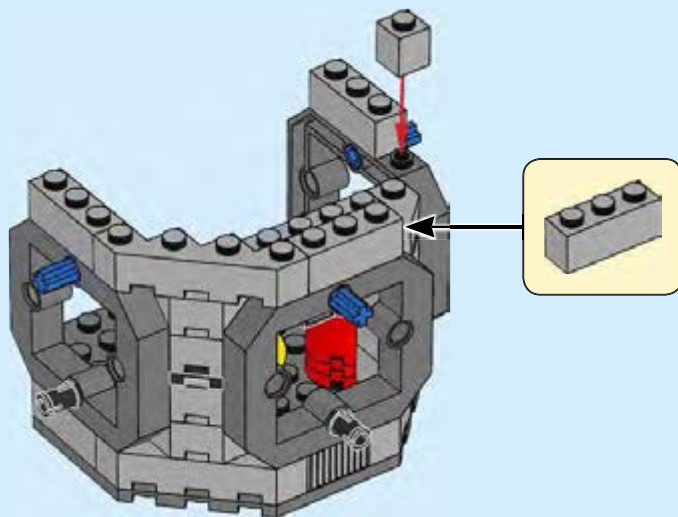


1x



1x

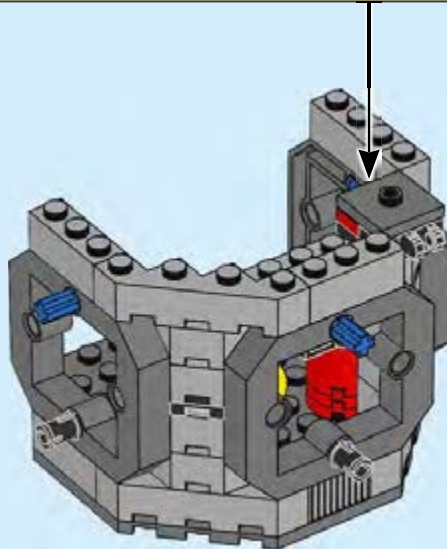
25

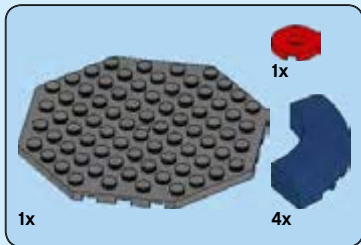


30



26



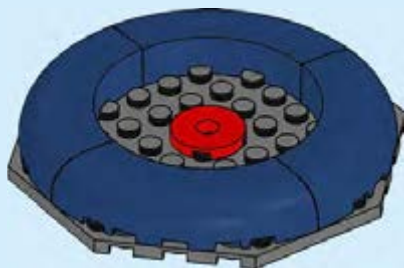


27

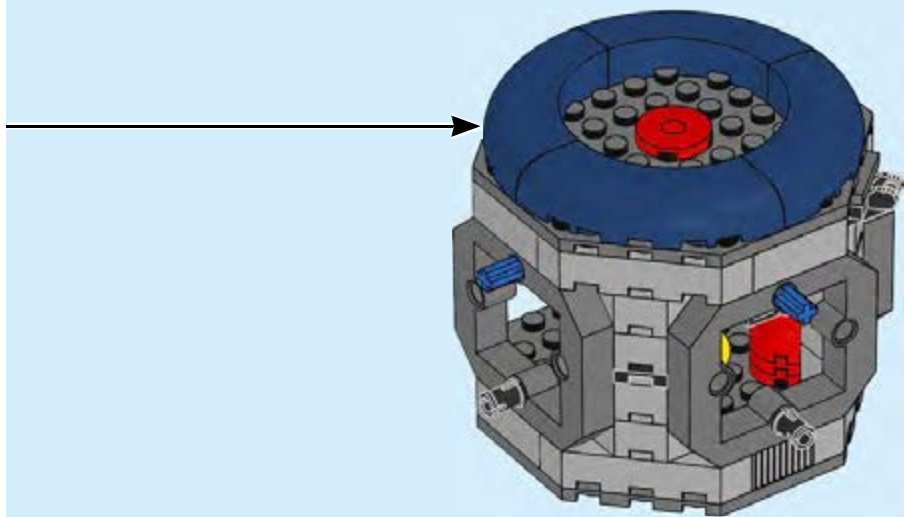
1

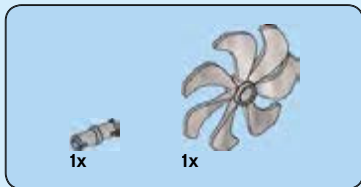


2

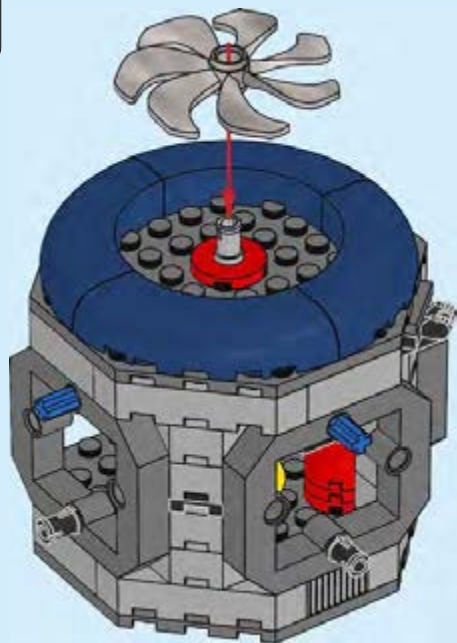


32



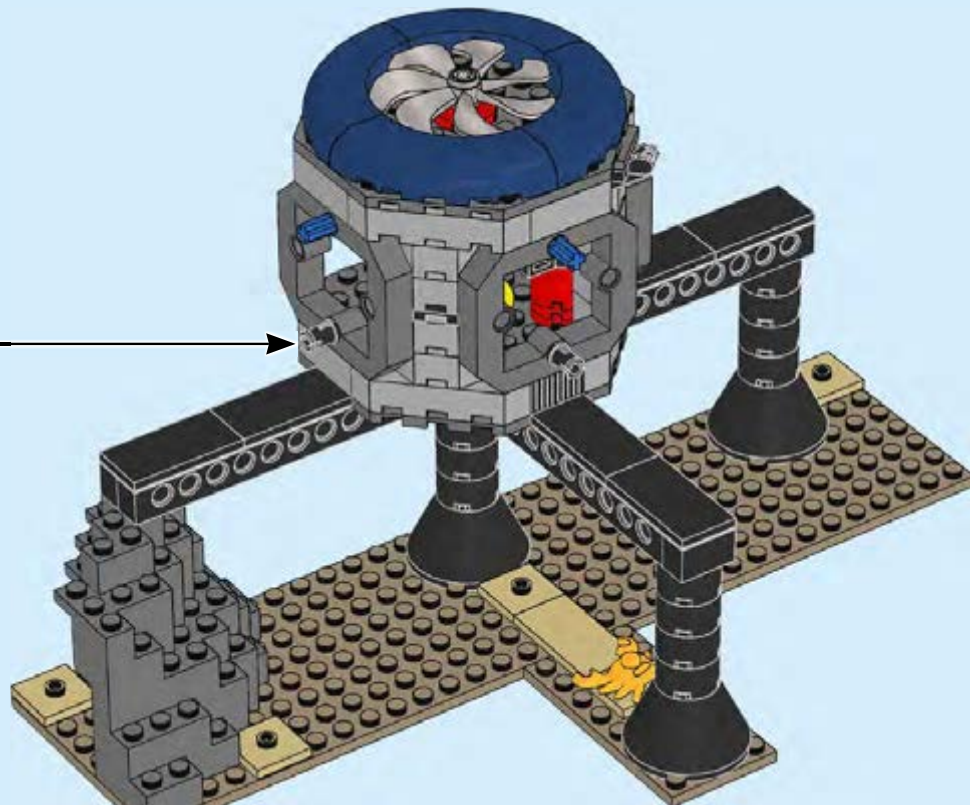


28



34

29



35

LEGO CITY



LEGO and the LEGO logo are trademarks of the LEGO Group. ©2020 The LEGO Group. 6324177
LEGO® City supports National Geographic Society Explorer Grants.
National Geographic Insignia and Identifiers have been provided by and used with permission of National Geographic.