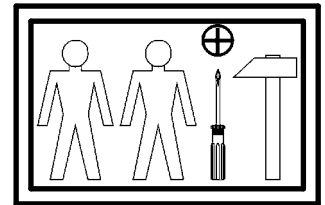
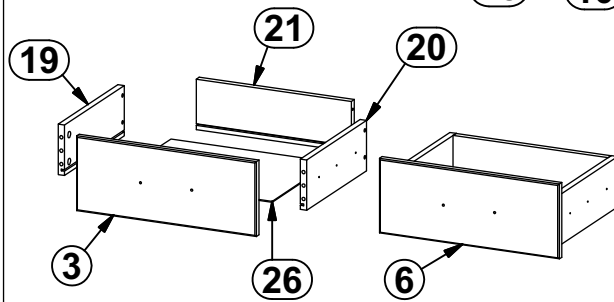
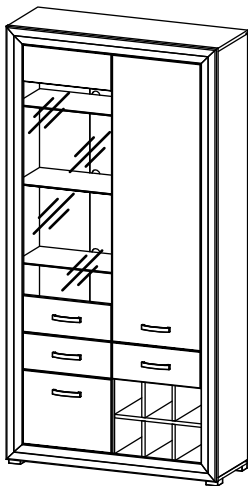
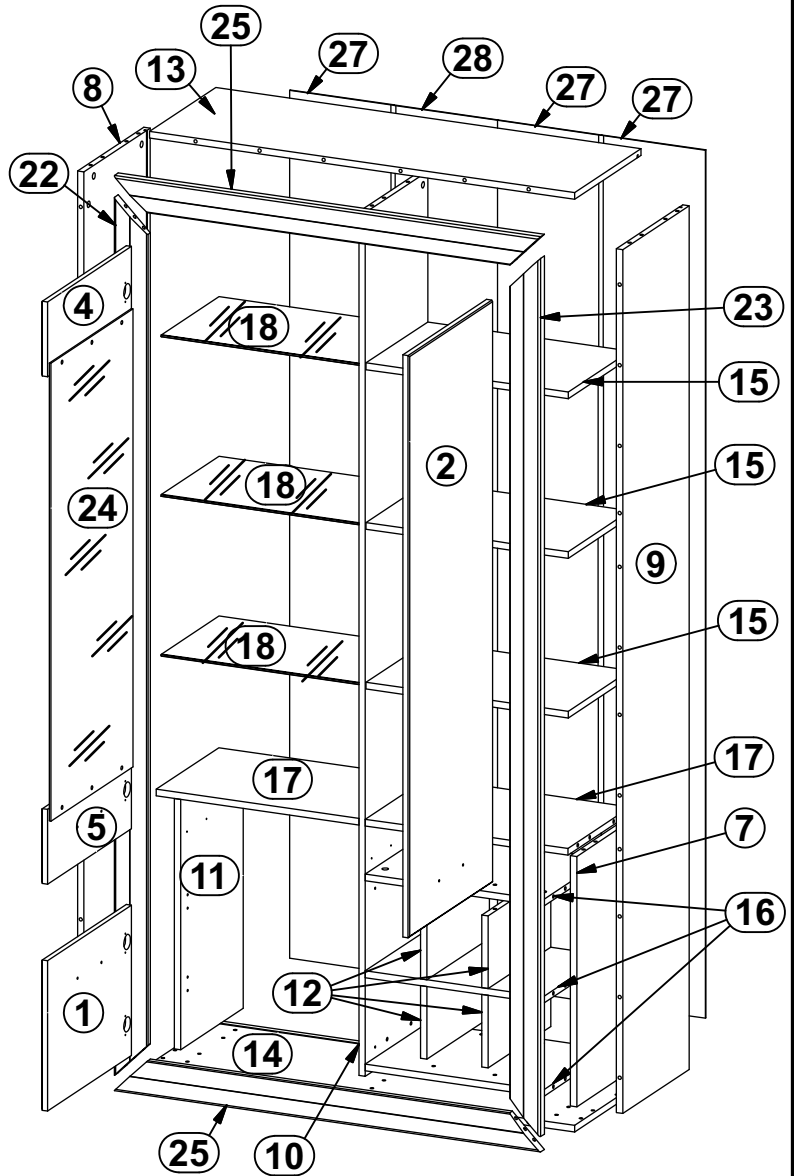
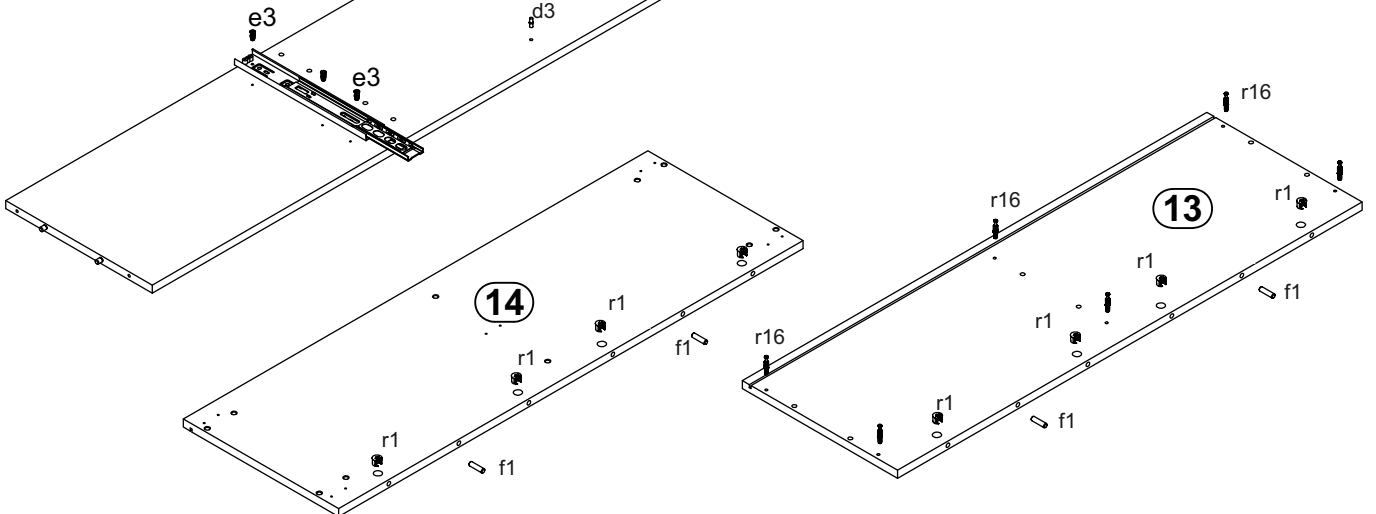
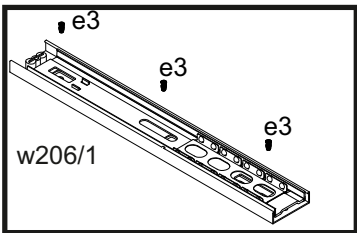
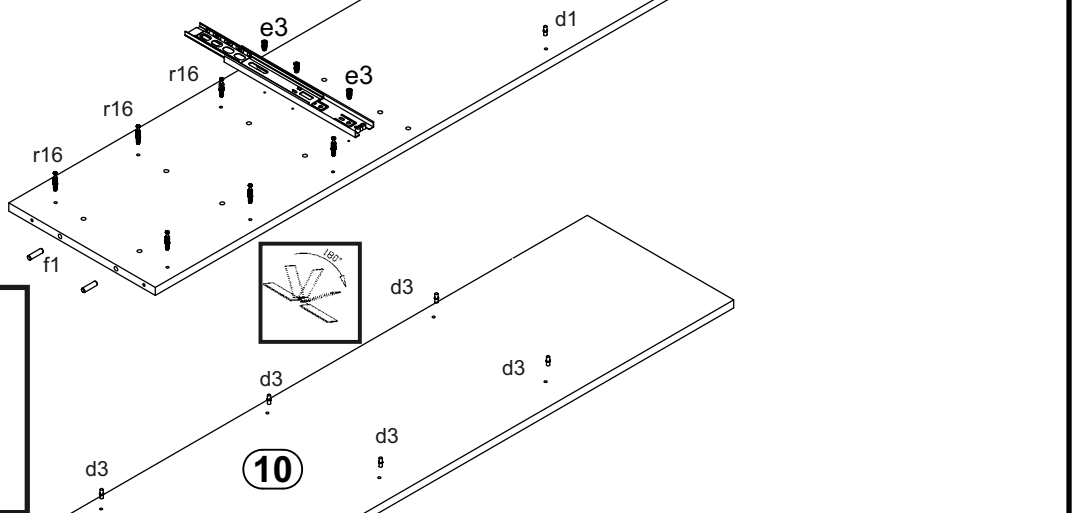
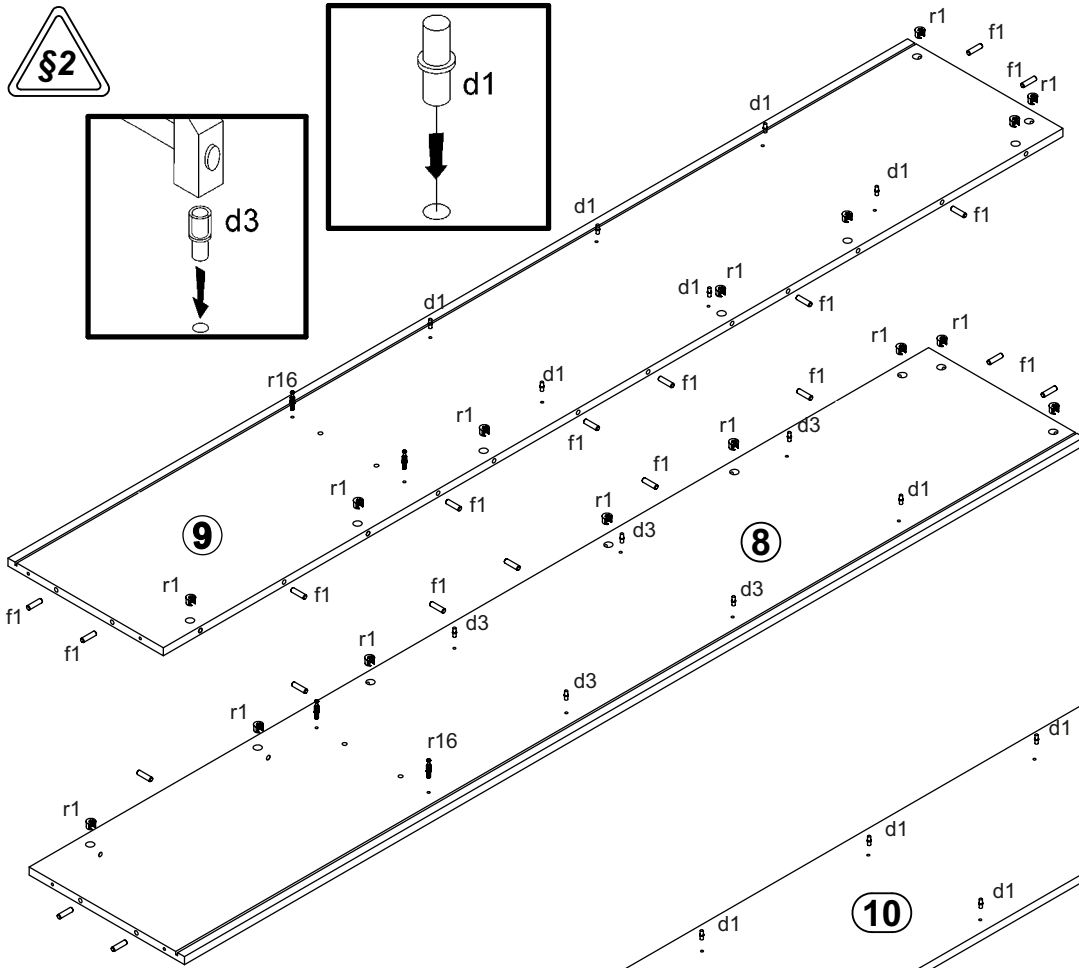
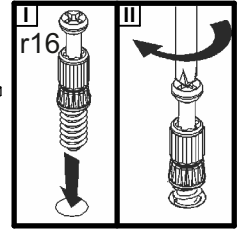
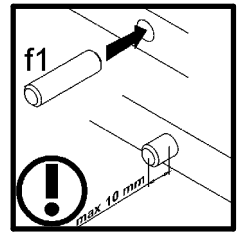
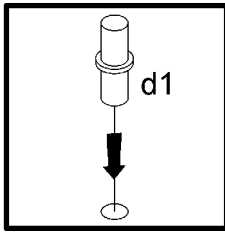
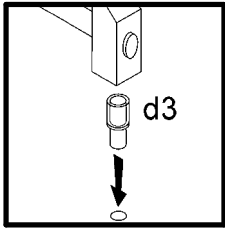


A	B	C	D	
1	B136-033	447	356	4/7
2	B136-031	1385	447	4/7
3	B136-060	447	177	4/7
4	B136-009	447	177	4/7
5	B136-054	447	177	4/7
6	B136-061	447	177	4/7
7	B136-131	596	335	2/7
8	B136-137	2056	355	1/7
9	B136-138	2056	355	1/7
10	B136-146	2056	335	1/7
11	B136-147	596	335	2/7
12	B136-164	173	335	2/7
13	B136-225	1061	355	2/7
14	B136-227	1061	355	2/7
15	B136-301	504	331	2/7
16	B136-313	435	335	2/7
17	B136-318	505	335	2/7
18	B136-336	504	300	6/7
19	B136-501	320	120	2/7
20	B136-502	320	120	2/7
21	B136-508	377	120	2/7
22	B136-5502	2090	80	3/7
23	B136-5503	2090	80	3/7
24	B136-566	1091	437	5/7
25	B136-572	1063	80	3/7
26	B136-901	391	318	2/7
27	B136-910	2066	259	1/7
28	B136-912	2066	259	1/7
29	Lh-2050	2050	14	1/7

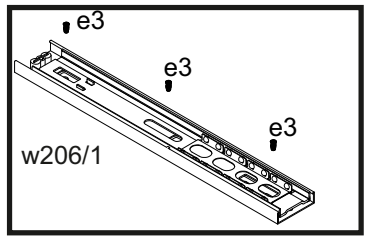
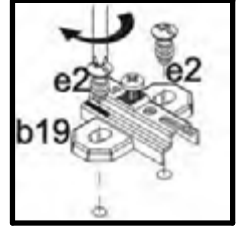
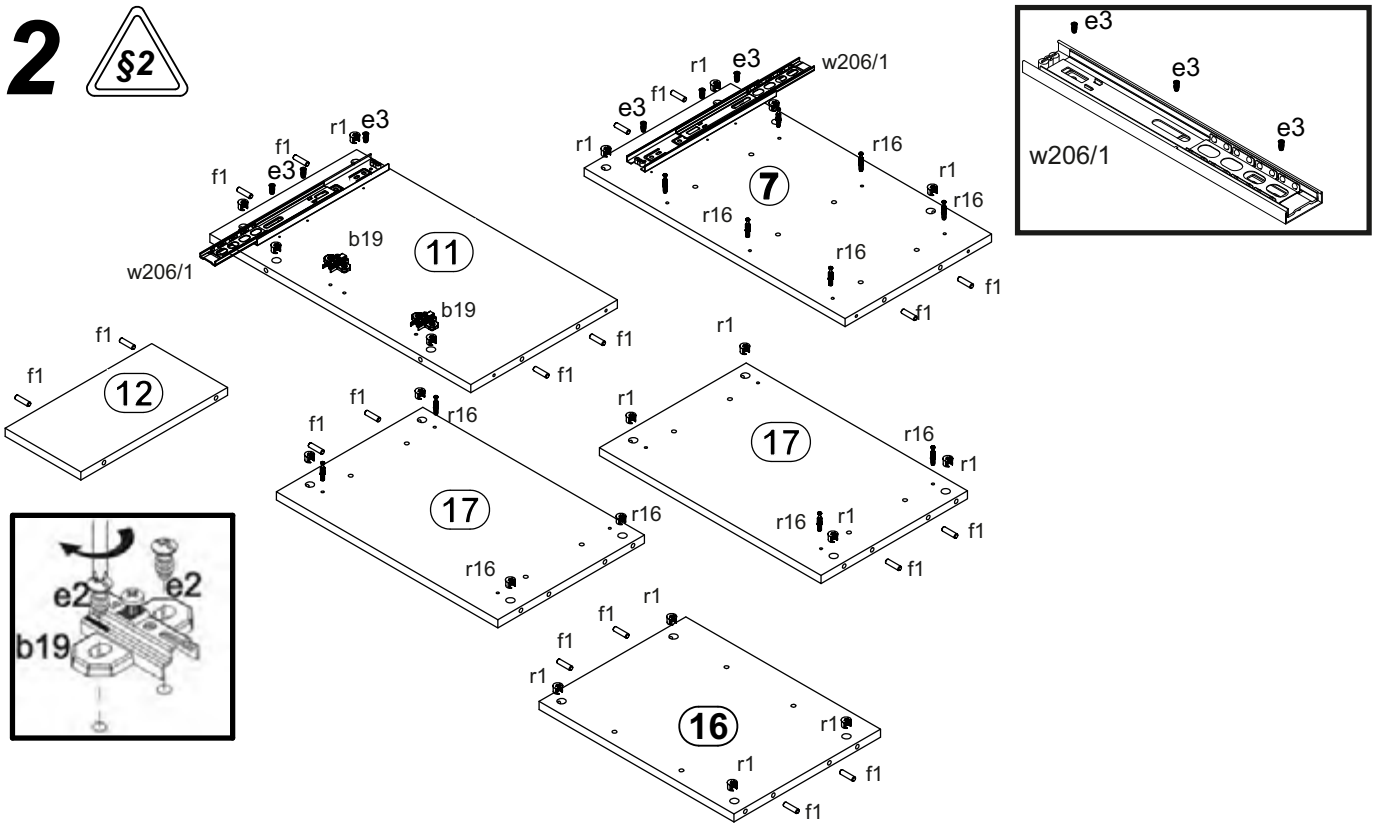


2x K9,5 a68	4x a56	4x D5 b6	2x D5 b19	5x φ412.050	10x f4x30 mm p9	12x φ5x17 mm d1	12x φ5x17 mm d3	18x φ7x50 mm e1
6x φ5x16 mm e47	76x φ8x30 mm f1	6x φ8x50 mm f6	10x φ4x35 mm p6	5x 60x60,25 mm k55	40x I1	28x I2	1x n26	12x φ3,5x12 mm #16 p140
10x 20x13x3,51 mm n108	6x φ5,3/φ8,3x4,8 mm o54	12x φ6x13 mm e3	1x φ3,5x16 mm p38	12x φ3,5x15 mm p51	10x φ2,9x16 mm p55	1x φ5x60 mm p17	1x φ10x50 mm f35	62x φ15x12 mm #16 r1
4x r10	50x 20/9 r16	2x 36/20 mm r28	1x z1	26x ø16 s2	3x φ40 s53	4x 300 mm w206/1	4x 300 mm w206/2	10x ø8x1,8mm o21

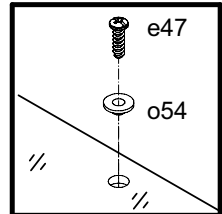
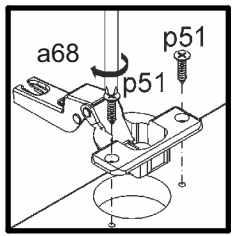
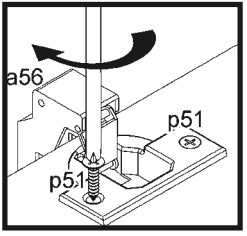
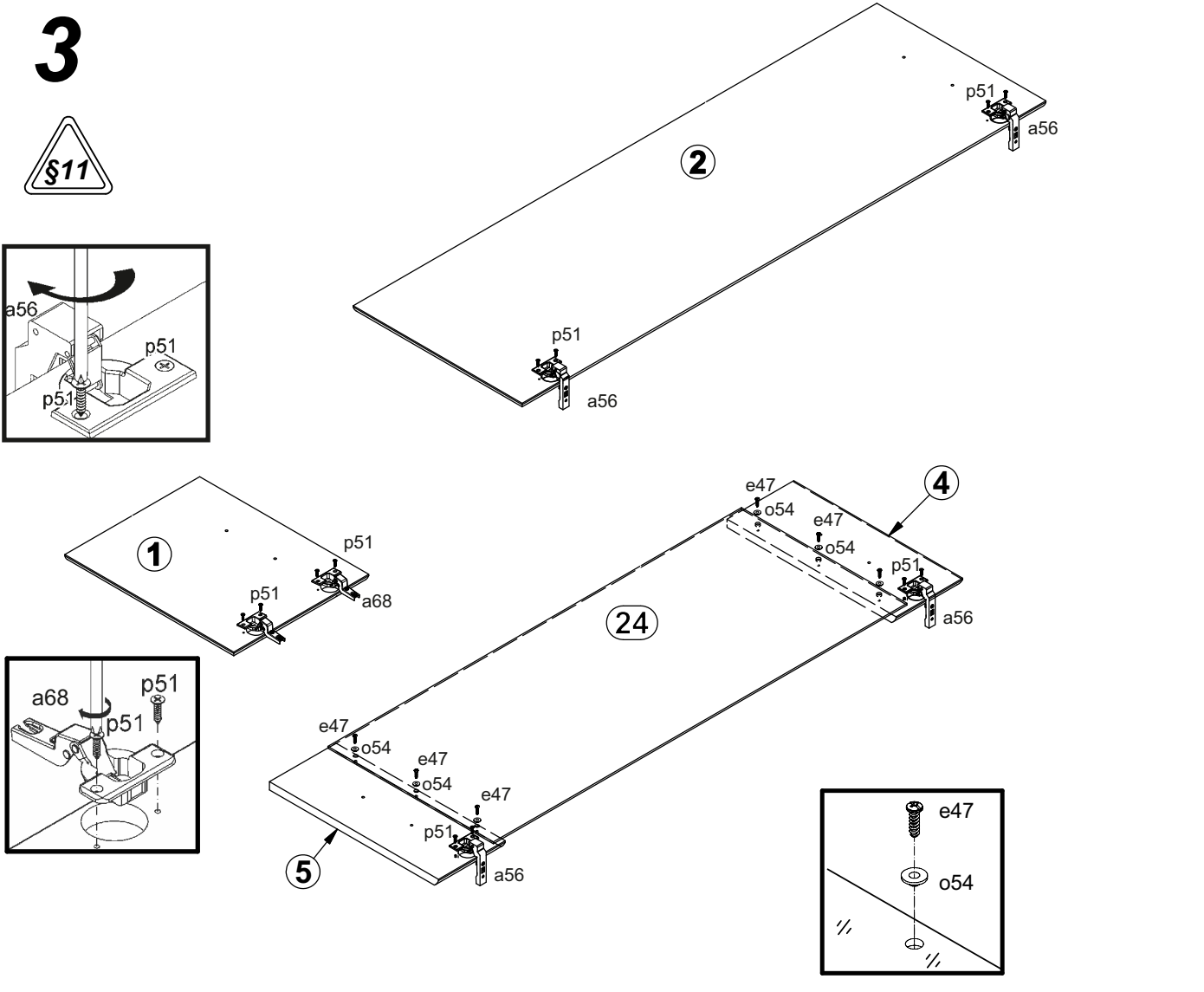
1



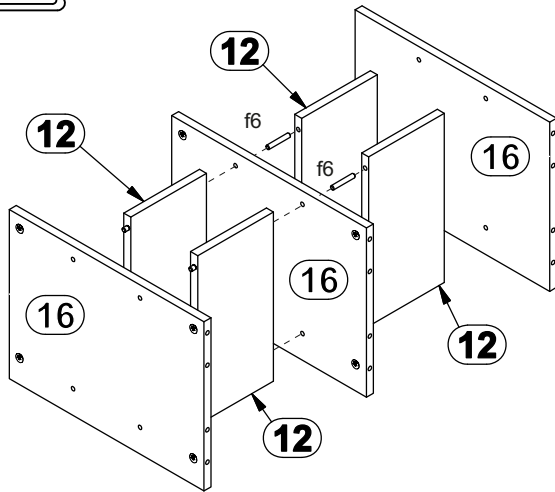
2



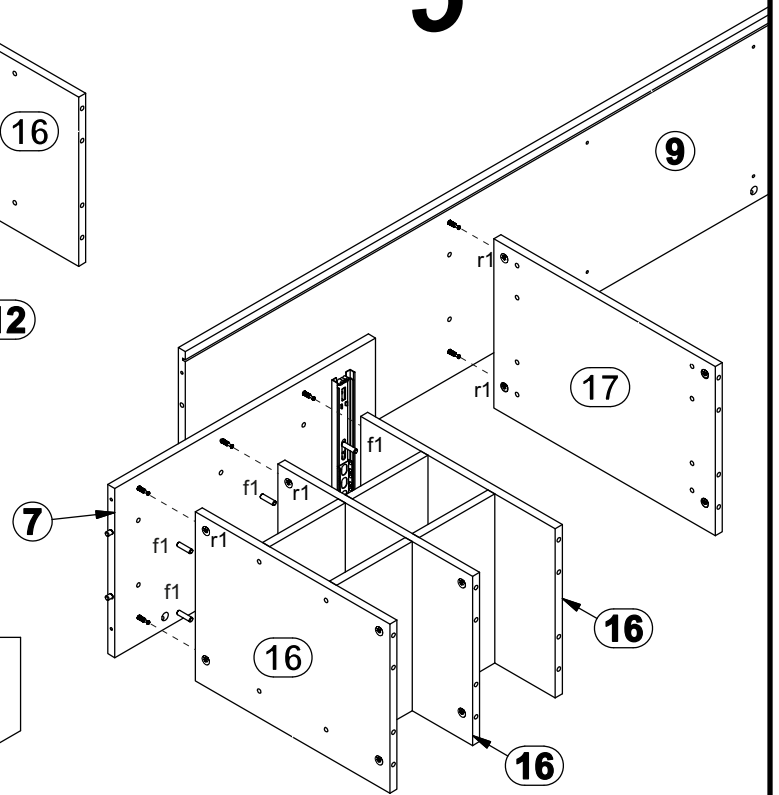
3



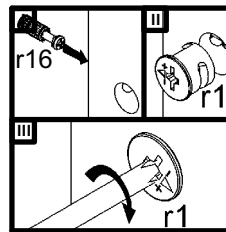
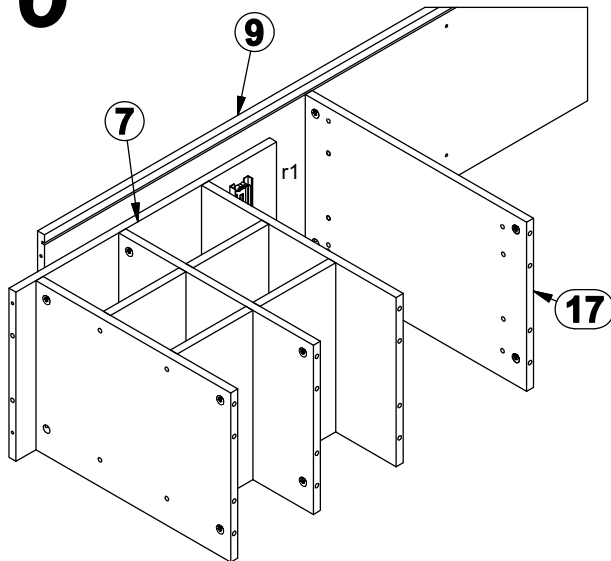
4



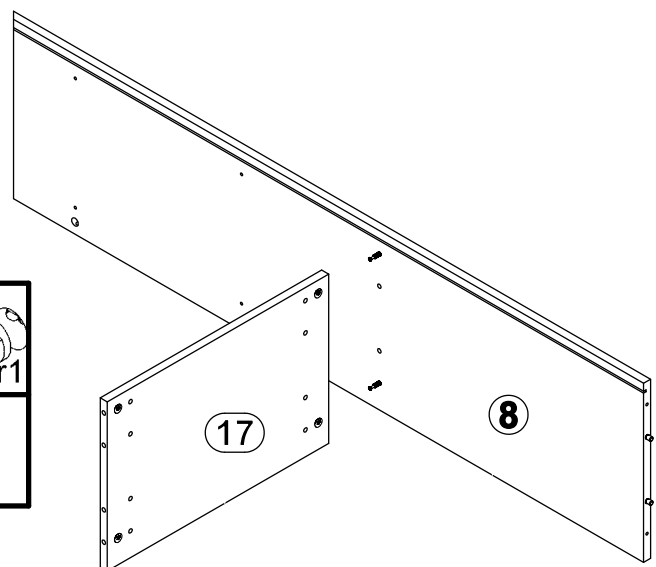
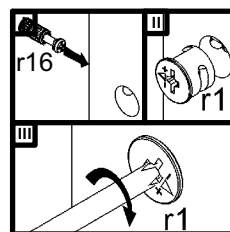
5



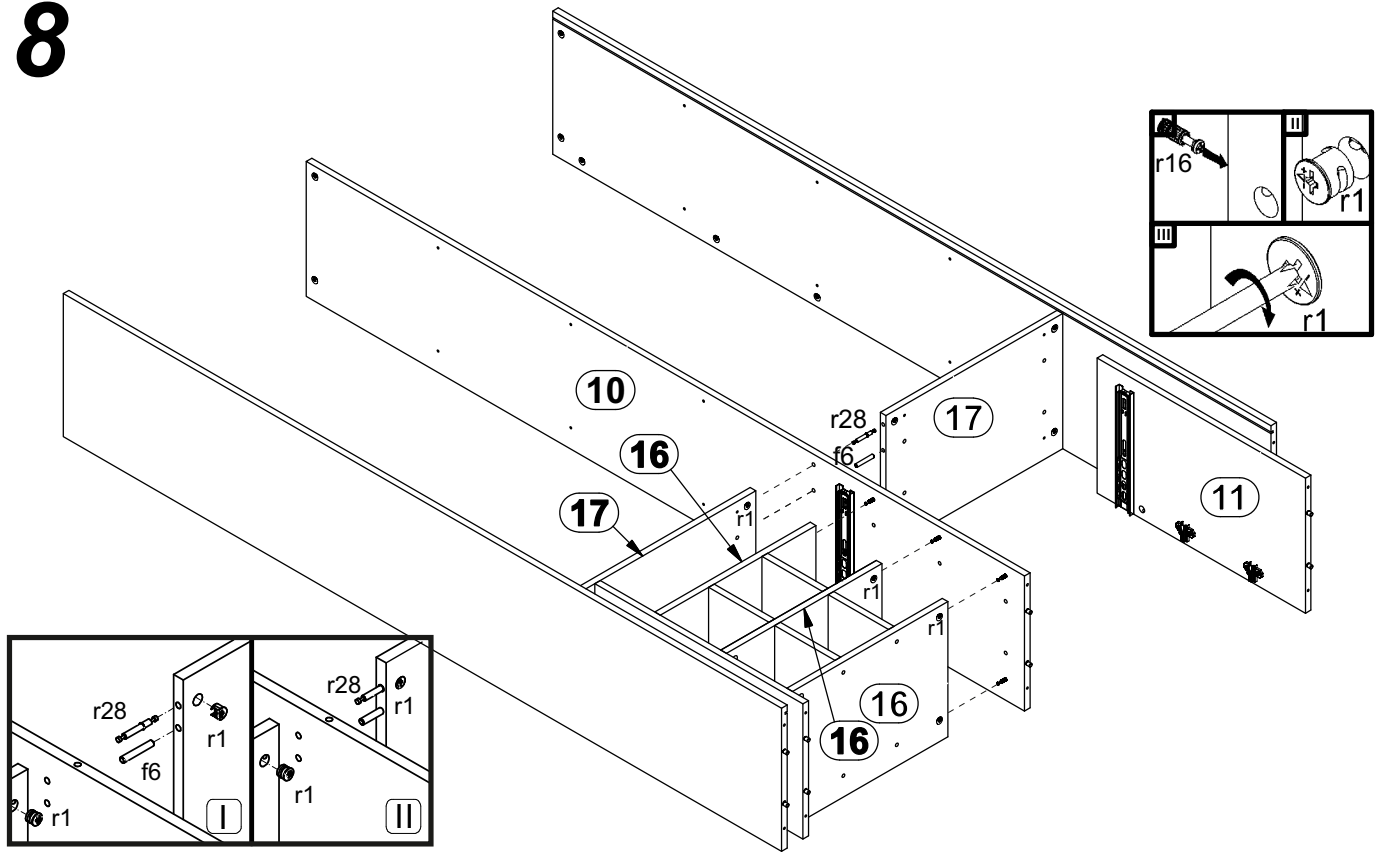
6



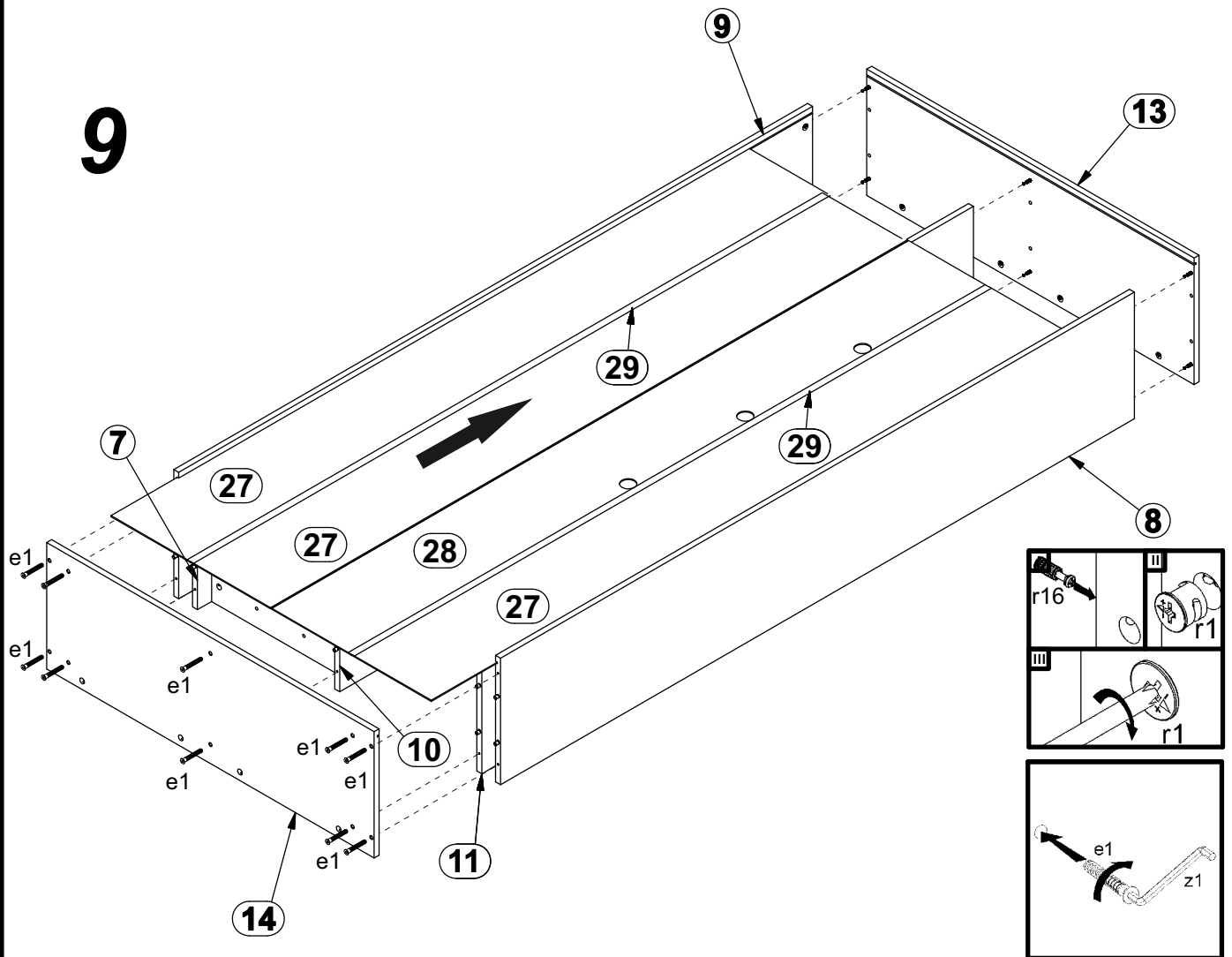
7



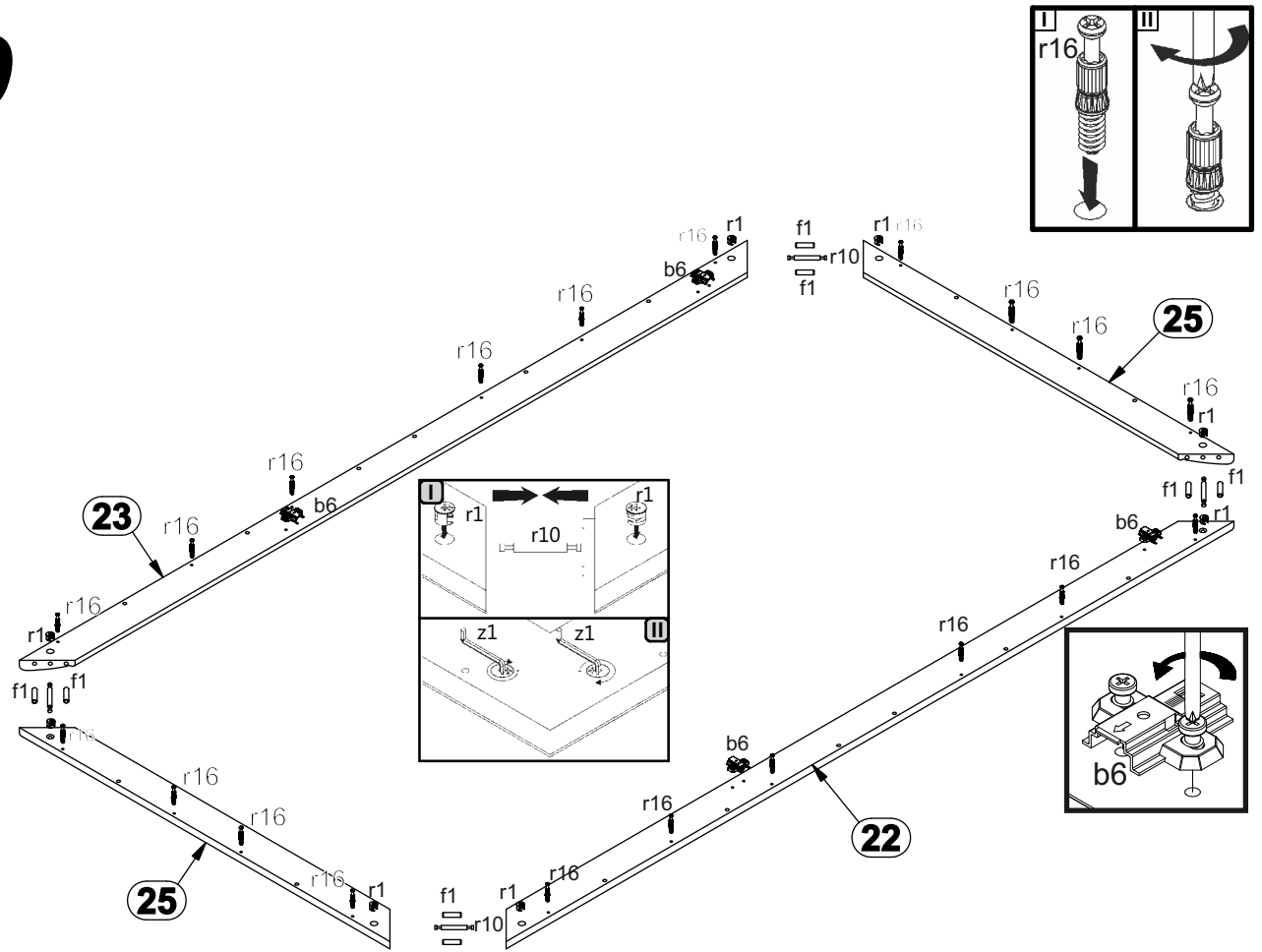
8



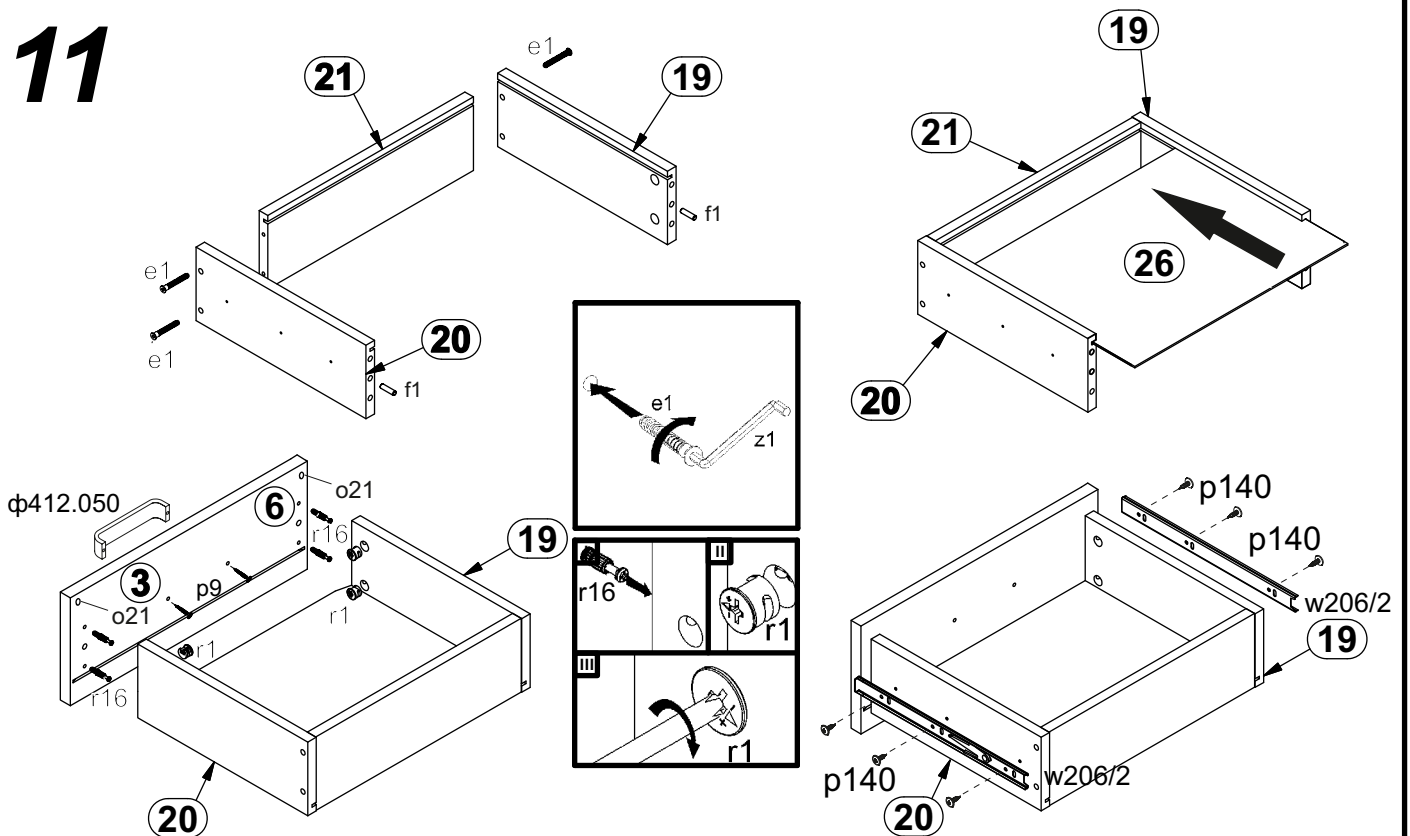
9



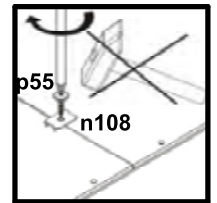
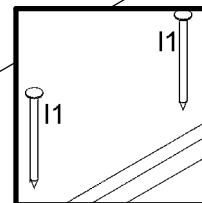
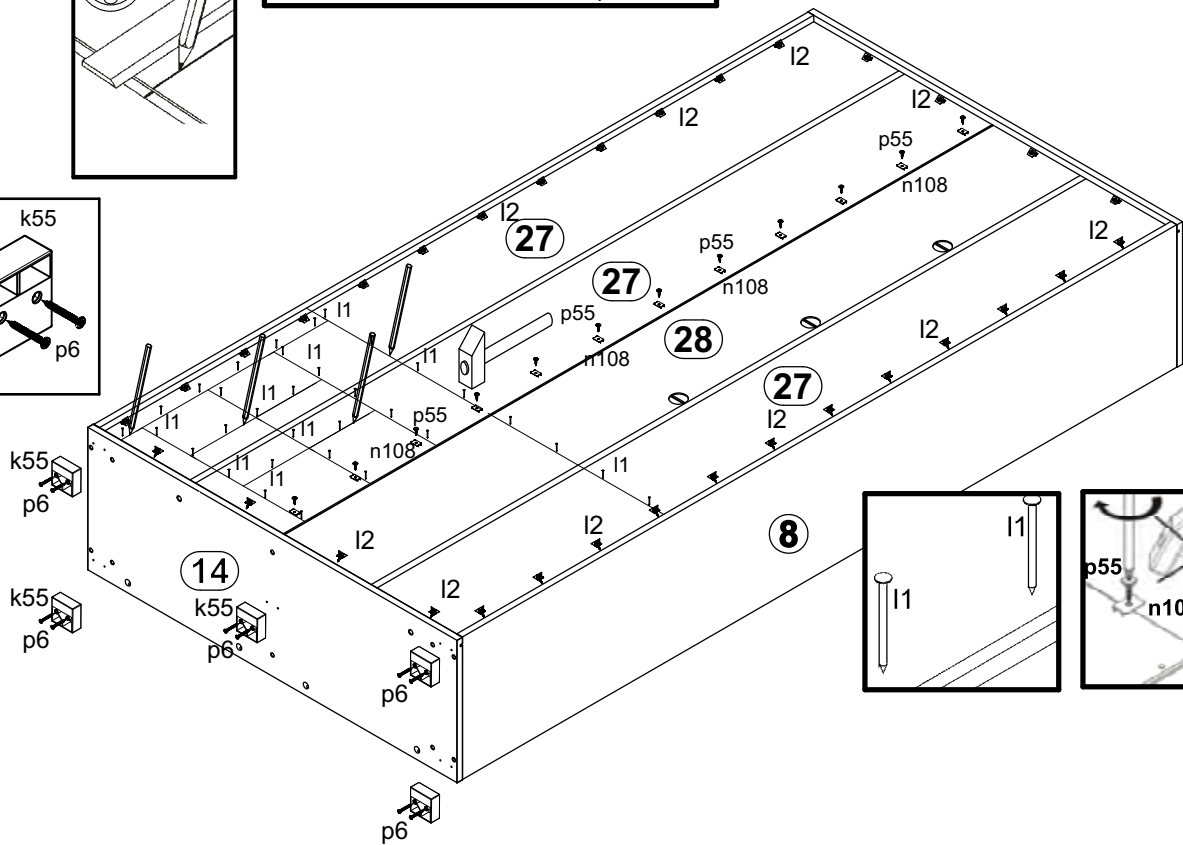
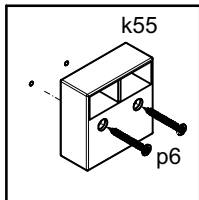
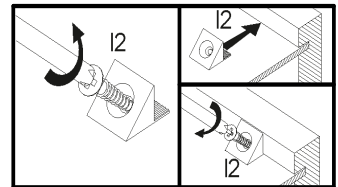
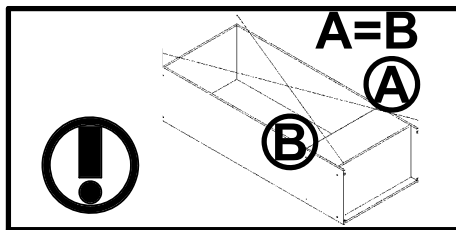
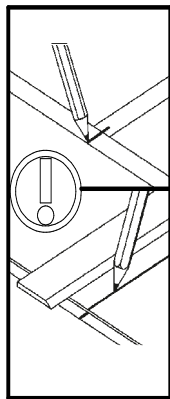
10



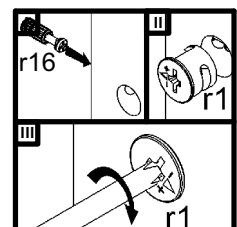
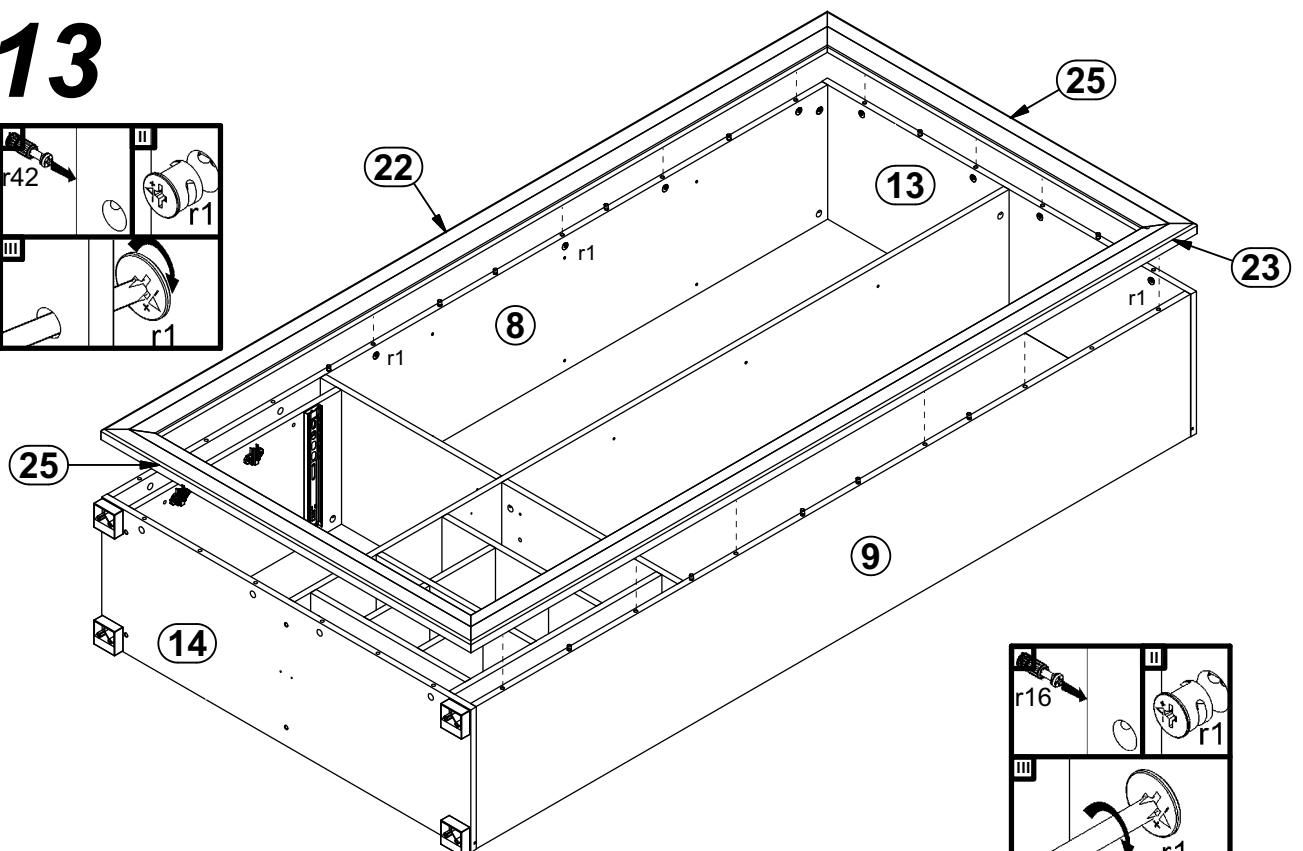
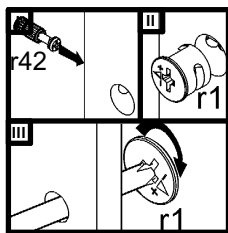
11



12



13



14

