

RYOBI®

RCS3835T
RCS3840T

ORIGINAL INSTRUCTIONS
TRADUCTION DES INSTRUCTIONS ORIGINALES
ÜBERSETZUNG DER ORIGINALANLEITUNG
TRADUCCIÓN DE LAS INSTRUCCIONES ORIGINALES
TRADUZIONE DELLE ISTRUZIONI ORIGINALI
VERTALING VAN DE ORIGINELE INSTRUCTIES
TRADUÇÃO DAS INSTRUÇÕES ORIGINAIS
OVERSÆTTELSE AF DE ORIGINALE INSTRUKTIONER
ÖVERSÄTTNING AV DE URSPRUNGLIGA INSTRUKTIONERNA
ALKUPERÄISTEN OHJEIDEN SUOMENOS
OVERSETTELSE AV DE ORIGINALE INSTRUKSJONENE
ПЕРЕВОД ОРИГИНАЛЬНЫХ ИНСТРУКЦИЙ
TŁUMACZENIE INSTRUKCJI ORYGINALNEJ
PŘEKLAD ORIGINÁLNÍCH POKYNŮ
AZ EREDETI ÚTMUTATÓ FORDÍTÁSA
TRADUCEREA INSTRUCȚIUNILOR ORIGINALE
TULKOTS NO ORIGINĀLĀS INSTRUKCIJAS
ORIGINALIŲ INSTRUKCIJŲ VERTIMAS
ORIGINAALJUHENDI TÖLGE
PRIJEVOD ORIGINALNIH UPUTA
PREVOD ORIGINALNIH NAVODIL
PREKLAD ORIGINÁLNYCH POKYNOV
ПРЕВОД ОТ ОРИГИНАЛНИТЕ ИНСТРУКЦИИ

EN
FR
DE
ES
IT
NL
PT
DA
SV
FI
NO
RU
PL
CS
HU
RO
LV
LT
ET
HR
SL
SK
BG



- Important!** It is essential that you read the instructions in this manual before assembling, maintaining and operating the product.
- Attention!** Il est essentiel que vous lisiez les instructions contenues dans ce manuel avant d'assembler, d'entretenir et d'utiliser le produit.
- Achtung!** Es ist wichtig, dass Sie vor Zusammenbau, Wartung und Benutzung des Produktes die Anweisungen in dieser Anleitung lesen.
- ¡Atención!** Resulta fundamental que lea este manual de instrucciones antes de realizar el montaje, el mantenimiento y de utilizar este producto
- Attenzione!** È importante leggere le istruzioni contenute nel presente manuale prima di montare il prodotto, svolgere le operazioni di manutenzione sullo stesso e metterlo in funzione.
- Let op!** Het is van essentieel belang dat u de instructies in deze gebruiksaanwijzing leest voor u het product monteert, onderhoudt en gebruikt.
- Atenção!** É fundamental que leia as instruções deste manual antes da montagem, manutenção e operação do aparelho.
- OBS!** Det er vigtigt, at man læser instrukserne i denne brugsanvisning, inden man samler, vedligeholder og betjener produktet.
- Observera!** Det är viktigt att du läser instruktionerna i manualen före montering, användning och underhåll av produkten.
- Huomio!** On tärkeää, että luet tämän käsikirjan ohjeet ennen tuotteen kokoamista, huoltoa ja käyttöä.
- Advarsel!** Det er viktig at du leser instruksjonene i denne manualen før sammensetning, vedlikehold og bruk av produktet
- Внимание!** Необходимо прочитать инструкции в данном руководстве перед сборкой, обслуживанием и эксплуатацией этого изделия.
- Uwaga!** Koniecznie należy przeczytać instrukcje zawarte w tym podręczniku przed montażem, obsługą oraz konserwacją produktu.
- Dôležité upozornění!** Neinstalujte, neprovádějte údržbu ani nepoužívejte tento výrobek dříve, než si přečtete pokyny uvedené v tomto návodu.
- Figyelem!** Fontos, hogy a termék összeszerelése, karbantartása és használatá elött elolvassa a kézikönyvben található utasításokat.
- Atenție!** Este esențial să citiți instrucțiunile din acest manual înainte de asamblare, efectuarea întreinerii și operarea produsului.
- Uzmanību!** Ir svarīgi izlasīt šīs rokasgrāmatas instrukcijas pirms uzstādīšanas, apkopes un precēs darbināšanas.
- Dėmesio!** Prieš surenkant, prižiūrint ir naudojant gaminį, būtina perskaityti šiam vadove pateiktus nurodymus.
- Tähtis!** Enne masina kokkupanekut, hooldamist ja kasutama hakkamist tuleb käesolevas juhendis esitatud juhised kindlasti läbi lugeda.
- Upozorenje!** Vrlo je važno da ste prije sklapanja, održavanja i rada s ovim proizvodom pročitali upute u ovom priručniku.
- Pomembno!** Pomembno je da pred montažo vzdrževanjem in uporabo tega izdelka preberete navodila v tem priručniku.
- Upozornenie!** Je dôležité, aby ste si pred montážou, údržbou a obsluhou produktu prečítali pokyny v tomto návode.
- Важно!** Исключительно важно е да прочетете инструкциите в настоящото ръководство, преди да преминете към сглобяване, поддръжка или работа с продукта.

Subject to technical modification | Sous réserve de modifications techniques | Technische Änderungen vorbehalten | Bajo reserva de modificaciones técnicas | Con riserva di eventuali modifiche tecniche | Technische wijzigingen voorbehouden | Com reserva de modificações técnicas | Med forbehold for tekniske ændringer | Med förbehåll för tekniska ändringar | Tekniset muutokset varataan | Med forbehold om tekniske ændringer | могут быть внесены технические изменения | Z zastrzeżeniem modyfikacji technicznych | Změny technických údajů vyhrazeny | A műszaki módosítás jogát fenntartjuk | Sub rezerva modificărilor tehnice | Paturam tiesības mainīt tehniskos raksturlielumus | Pasiliekan teisę daryti techninius pakeitimus | Tehnilised muudatused võimalikud | Podloženo tehničkim promjenama | Tehnične spremembe dopuščene | Právo na technické zmeny je vyhradené | Подлежи на технически модификации

Safety, performance, and dependability have been given top priority in the design of your petrol chainsaw.

INTENDED USE

The product is only intended for use outdoors in a well ventilated area. For safety reasons the product must be adequately controlled by using two handed operation at all times.

The product is designed for cutting branches, trunks, logs and beams of a diameter determined by the cutting length of the guide bar. It is only designed to cut wood. It is only to be used in domestic application by adults who have received adequate training on the hazards and preventative measures/actions to be taken whilst using it.

Do not use the product for any purpose not listed above. It is not to be used for professional tree services. The product is not to be used by children or by persons not wearing adequate personal protective equipment and clothing.

⚠ WARNING

When using the product, the safety rules must be followed. For your own safety and that of bystanders, you must read and fully understand these instructions before operating the product. You should attend a professionally organised course on the use and maintenance of chainsaws, preventative actions and first aid. Please keep these instructions safe for later use.

⚠ WARNING

Chainsaws are potentially dangerous tools. Accidents involving the use of chainsaws often result in loss of limbs or death. It is not just the product that is the hazard. Falling branches, toppling trees, rolling logs can all kill. Diseased or rotting timber poses additional hazards. You should assess your capability of completing the task safely. If there is any doubt, leave it to a professional tree surgeon.

GENERAL SAFETY WARNINGS

- Some regions have regulations that restrict the use of the product. Check with your local authority for advice.
- Never allow children or people unfamiliar with the instructions to use the product. Local regulations may restrict the age of the operator.
- Ensure before each use that all controls and safety devices function correctly. Do not use the product if the "off" switch does not stop the engine.
- Never start or run the engine in a closed or poorly ventilated area, breathing exhaust fumes can kill.
- Clear the work area before each use, a cluttered and untidy work area leads to accidents.
- Wear full eye and hearing protection, strong sturdy gloves, safety boots with non-slip soles as well as head protection while operating the product. Use a face mask if operation is dusty.
- Do not wear loose fitting clothing, short trousers or jewellery of any kind.

- Secure long hair so it is above shoulder level to prevent entanglement in moving parts.
- Beware of thrown, flying or falling objects. Keep all bystanders, children, and animals at least 15 m away from work area.
- Never operate the product in an explosive or flammable atmosphere.
- Maintain a firm grip on both handles while using the product.
- Stay alert, watch what you are doing, and use common sense when operating the product. Do not operate the product while tired, ill or under the influence of drugs, alcohol, or medication. A lapse in concentration while operating the product may result in severe personal injury.
- Do not operate in poor lighting. The operator requires a clear view of the work area to identify potential hazards.
- Use of hearing protection reduces the ability to hear warnings (shouts or alarms). The operator must pay extra attention to what is going on in the working area.
- Operating similar tools nearby increases both the risk of hearing injury and the potential for other persons to enter your working area.
- Keep firm footing and balance. Do not overreach. Overreaching can result in loss of balance or exposure to hot surfaces and can increase the risk of kickback.
- Keep all parts of your body away from any moving part.
- Do not touch the area around the silencer or engine of the product; these parts get very hot during operation.
- Inspect the product before each use. Check for correct operation of all controls including the chain brake. Check for loose fasteners, fuel leaks, etc. Make sure all guards and handles are properly and securely attached. Replace any damaged parts before use.
- Do not modify the product in any way or use parts and accessories which are not recommended by the manufacturer.

⚠ WARNING

If the product is dropped, suffers heavy impact or begins to vibrate abnormally, immediately stop the product and inspect for damage or identify the cause of the vibration. Any damage should be properly repaired or replaced by an authorised service centre.

- When mixing fuel or filling fuel tank, do not smoke and keep 10 m away from any source of ignition.
- Mix and store fuel only in a container approved for fuel.
- Mix fuel outdoors where there are no sparks or flames. Wipe up any fuel spillage. Move 10 m away from refueling site before starting engine.
- Stop the engine and allow it to cool before refueling, storing or transporting the product.
- Remember to properly close all fuel tank/container caps after refueling or mixing.

EN
FR
DE
ES
IT
NL
PT
DA
SV
FI
NO
RU
PL
CS
HU
RO
LV
LT
ET
HR
SL
SK
BG

CHAINSAW SAFETY WARNINGS

- Always fit the guide bar cover when the product is not in use or being carried or transported. This will help reduce the risk of accidental contact with the sharp blades on the chain. Carry the product by the top handle with the guide bar facing away from your body.
- You should get used to your new product by making simple cuts on securely supported wood. Do this whenever you have not operated the product for some time.
- Cut logs on a saw horse or cradle when operating the product for the first time.
- Ensure all the guards, handles and spiked bumper are properly fitted and are in good condition.
- Persons using the product should be in good health. The product is a heavy unit so the operator requires to be physically fit. The operator should be alert, have good vision, mobility, balance and manual dexterity. If there is any doubt, do not operate the product.
- Do not stand on any unstable surface while using the product. This could include, but is not limited, to ladders, scaffolds, and trees. Keep both hands on the handles of the product at all times.
- Do not start using the product until you have a clear work area, secure footing, and a planned retreat path away from the falling tree.
- Use extreme caution when cutting small-size branches and sapling because slender material may catch the saw chain and be whipped toward you or pull you off balance.
- When cutting a limb under tension, be alert for spring back so that you will not be struck when the tension in the wood fibres is released.
- Beware of the emission of exhaust gases, lubricant mist and saw dust. Wear mask or respirator if required.
- Do not cut vines and small undergrowth (less than 75 mm in diameter).
- Always hold the product with both hands when operating it. Use a firm grip with thumbs and fingers encircling the handles of the product. Right hand must be on the rear handle and left hand on the front handle
- Before starting the engine, make sure the saw chain is not contacting any object. Always start the product with the chain brake applied (pushed fully forward).
- Do not modify your product in any way or use it to power any attachments or devices not recommended by the manufacturer for your product.
- There should be a first-aid kit containing large wound dressings and a means to summon attention (e.g., whistle) close to the operator. A larger more comprehensive kit should be reasonably nearby.
- The operator may be tempted to remove the helmet if there is no danger of falling objects in the work area, but the helmet, particularly with the mesh visor, can help reduce the potential for injury to the face and head if kickback occurs.
- An incorrectly tensioned chain can jump off the guide bar and could result in serious injury or fatality. The

length of chain depends on the temperature of the chain and chain wear. Check the tension frequently.

- Keep handles dry, clean, and free from oil and grease. Greasy and oily handles are slippery, causing loss of control.
- To reduce the risk of injury associated with contacting moving parts, always stop the engine, apply chain brake, remove the spark plug wire and make sure all moving parts have been come to a stop before
 - cleaning or clearing a blockage
 - leaving the product unattended
 - installing or removing attachments
 - checking, maintenance or working on the product
- The size of the work area depends on the job being performed as well as the size of the tree or work piece involved. For example, felling a tree requires a larger work area than making other cuts, i.e., bucking cuts. The operator needs to be aware and in control of everything happening in this work area.
- Do not cut with your body in line with the guide bar and chain. If you do experience kickback, this will help prevent the chain from coming into contact with your head or body.
- Do not use a back-and-forward sawing motion; let the chain do the work. Keep the chain sharp, and do not try to push the chain through the cut.
- Do not put pressure on the saw at the end of the cut. Be ready to take on the weight of the saw as it cuts free from the wood. Failure to do so could result in possible serious personal injury.
- Do not stop the saw in the middle of a cutting operation. Keep the saw running until it is already removed from the cut.

Personal protective equipment

Good quality, personal protective equipment as used by professionals will help to reduce the risk of injury to the operator. The following items should be used when operating the product:

Safety helmet

- should comply with EN 397 and be CE marked

Hearing protection

- should comply with EN 352-1 and be CE marked

Eye and face protection

- should be CE marked and comply with EN 166 (for safety glasses) or EN 1731 (for mesh visors)

Gloves

- should comply with EN381-7 and be CE marked

Leg protection (chaps)

- should comply with EN381-5, be CE marked and provide all-round protection.

Chainsaw safety boots

- should comply with EN ISO 20345:2004 and be marked with a shield depicting a chainsaw to show compliance with EN 381-3. (Occasional users may use steel toe-cap safety boots with protective gaiters which conform to EN 381-9 if the ground is even and there is little risk of tripping or catching on undergrowth)

Chainsaw jackets for upper body protection

- should comply with EN 381-11 and be CE marked

ASSEMBLY

⚠ WARNING

If any parts are damaged or missing do not operate the product until the parts are replaced. Failure to heed this warning could result in serious personal injury.

ASSEMBLING SAW CHAIN AND GUIDE BAR

See page 273, Fig. 5 - 8.

1. Stop the product. Wear protective gloves.
2. Disengage the chain brake.
3. Unscrew the guide bar locking knob and remove the sprocket cover.
4. Attach the guide bar and chain tension assembly to the chain saw. Lower the guide bar so that the bolt goes through the hole in the bar and chain tension assembly.
5. The saw chain should face in the direction of chain rotation. If they face backwards, turn the loop over.
6. Place the loop around the drive sprocket. Then place the chain drive links into the bar groove. If needed, rotate the chain tension assembly to apply some tension to the chain which will help keep it in place.
7. Replace the sprocket cover.
8. Adjust the chain tension. Refer to the "Adjusting the chain tension" section.

ADJUSTING THE CHAIN TENSION

See page 286.

1. Loosen the guide bar locking knob slightly by turning it counterclockwise.
2. To increase the chain tension, turn the chain tensioner adjustment ring clockwise and check the chain tension frequently. To reduce the chain tension, turn the chain tensioner adjustment ring counterclockwise and check the chain tension frequently.
3. The chain tension is correct when the gap between the cutter in the chain and the bar is between 3 mm - 4 mm. Pull the chain in the middle of the lower side of the bar downwards (away from the bar) and measure the distance between the bar and the chain cutters.
4. Tighten the guide bar locking knob by turning it clockwise.

NOTE: The temperature of the chain increases during normal operation causing the chain to stretch. Check the chain tension frequently and adjust as required. A chain tensioned while warm may be too tight upon cooling. Make sure that the chain tension is correctly adjusted as specified in these instructions.

OPERATING THE PRODUCT

FUEL AND REFUELLING

Handling the fuel safely

⚠ WARNING

Always shut off engine before fuelling. Never add fuel to a machine with a running or hot engine. Move at least 10 metres from refuelling site before starting the engine. Do not smoke! Failure to heed this warning can result in possible personal injury.

⚠ WARNING

Check for fuel leaks. If any are found, correct them before using the product to prevent fire or burn injury.

- Always handle fuel with care; it is highly flammable.
- Always refuel outdoors away from potential sources of ignition, do not inhale fuel vapours.
- Do not let petrol or lubricant come in contact with skin. If contact does occur wash immediately with soap and plenty of water.
- Keep petrol and lubricant away from the eyes. If petrol or lubricant comes in contact with the eyes, wash them immediately with clean water. If irritation is still present, see a doctor immediately.

Mixing the fuel

- The product is powered by a 2-cycle engine and requires pre-mixing petrol and 2-cycle lubricant. Pre-mix unleaded petrol and 2-cycle engine lubricant in a clean container approved for petrol.
- This engine is certified to operate on unleaded petrol intended for automotive use with an octane rating of 91 or higher.
- Do not use any type of pre-mixed petrol/lubricant from fuel service stations; this includes the pre-mixed petrol/lubricant intended for use in mopeds and motorcycles.
- Use a high quality 2-cycle self-mixing lubricant for air-cooled engines. Do not use automotive lubricant or 2-cycle outboard lubricant.
- Mix 2% lubricant into the petrol. This is a 50:1 ratio.
- Mix the fuel thoroughly and each time before fuelling.
- Mix in small quantities. Do not mix quantities larger than usable in a 30-day period. A 2-cycle lubricant containing a fuel stabiliser is recommended.

NOTE: Fuel system damage or performance problems resulting from the use of an oxygenated fuel containing more than the percentages of oxygenates stated previously are not covered under warranty.

Filling the fuel tank

See page 273.

- Clean the surface around the fuel cap to prevent contamination.

EN

FR

DE

ES

IT

NL

PT

DA

SV

FI

NO

RU

PL

CS

HU

RO

LV

LT

ET

HR

SL

SK

BG

- Loosen the fuel cap slowly.
- Carefully pour the fuel mixture into the tank. Avoid spillage.
- Prior to replacing the fuel cap, clean and inspect the gasket.
- Immediately replace the fuel cap and hand tighten it. Wipe away any fuel spillage.

NOTE: It is normal for the engine to emit smoke during and after the first use.

ADDING CHAIN LUBRICATING OIL

See page 273.

⚠ WARNING

Never work without chain lubricant. If the saw chain is running without lubricant, guide bar and saw chain can be damaged. It is therefore essential to check the oil level frequently and every time before starting to use the product.

1. Clear surface around the oil cap to prevent contamination.
2. Unscrew and remove the cap from the oil tank.
3. Pour the oil into the oil tank and monitor the oil level gauge. Ensure that no dirt enters the oil tank while filling.
4. Put the oil cap back on and tighten. Wipe away any spillage.
5. One full oil tank will enable you to use the product for 20- 40 min.

NOTE: A properly functioning chain and bar lubricating system will normally discharge oil from the chain during use. To check the functionality of the chain and bar lubricating system, point the tip of the chain at a light coloured surface, such as a newspaper. A distinct line of oil splatter should be observed after a short time.

Recommended chain lubricating oil

- The manufacturer recommends you use only Ryobi chainsaw lubricating oil. (Available from your authorised service centre)

STARTING THE PRODUCT

Starting the product differs depending on whether the engine is cold or warm.

⚠ WARNING

Keep your body to the left of the chain line. Never straddle the saw or chain, or lean over past the chain line.

- Place the product on level ground and ensure that no objects or obstructions are in the immediate vicinity that could come in contact with the bar and chain.
- Hold the front handle firmly with your left hand and put your right foot onto the base of the rear handle.

NOTE: In the following starting instruction, when the choke lever is pulled all the way out to the "start" position, the throttle is set for starting. To reset the throttle to the "run"

position, squeeze and then release the throttle trigger.

To start a cold engine:

See page 272 - 273.

1. Turn ignition switch to the "on" position.
2. Make sure the chain brake is in the brake position by pushing forward on the lever/hand guard.
3. Fully press and release the primer bulb at least 10 times.
4. Pull choke lever all the way out to the "start" position.
5. When the temperature is above 10°C, pull the starter grip until the engine attempts to start, but no more than 3 times. When the temperature is below 10°C, pull the starter grip until the engine attempts to start, but no more than 5 times.
6. Push choke lever to the "half" position. Pull starter grip until engine starts.
7. Depress the trigger release and squeeze the throttle trigger, then release the throttle trigger to return the engine to idle.
8. Allow the product to run idle for 15 - 30 seconds.
9. Before accelerating the engine or cutting wood, make sure the chain brake is in the "run" position by pulling back on the brake lever/hand guard.

⚠ CAUTION

Failure to fully release the throttle when chain brake lever is in the brake position will result in serious damage to the product. Never squeeze and hold the throttle trigger while the chain brake is in the brake position.

To start a warm engine:

See page 281.

1. Turn ignition switch to the "on" position.
2. Make sure the chain brake is in the brake position by pushing forward on the lever/hand guard.
3. Press the primer bulb 10 times.
4. Pull choke lever all the way out to the "start" position and then push it back in the "run" position.
5. Pull starter grip until engine runs, but no more than 5 times. Depress the trigger release and squeeze the throttle trigger, then release the throttle trigger to return the engine to idle. If engine does not start after 5 pulls, use cold engine starting procedure.
6. Before accelerating the engine or cutting wood, make sure the chain brake is in the "run" position by pulling back on the brake lever/hand guard.

SWITCHING BETWEEN OPERATING MODES

See page 287.

The product features an anti-freeze mode that prevents ice from forming inside the carburettor during operation in temperatures of ≤ 5 °C.

A ventilation hatch on the right side of the air cleaner cover can be re-positioned to allow warm air to be supplied to the engine and prevents ice from forming inside the carburettor.

⚠ WARNING

Failure to switch from normal mode to anti-freeze mode in temperatures of ≤ 5 °C will reduce the output power of the engine or lead to engine failure.

Always remember to return the product to the normal operating mode when there is no risk of ice forming inside the carburettor. Failure to switch from anti-freeze mode to normal mode at normal temperatures may result in engine failure.

STOPPING THE ENGINE

Release the throttle trigger and let the engine return to idle. To stop the engine, move the ignition switch to the **stop** (0) position. Do not put the product on the ground when the chain is still moving. For additional safety, set the chain brake when the product is not in use.

In the event that the ignition switch will not stop the product, pull the choke lever out to the fully extended position (**Full Choke**) and engage the chain brake to stop the engine. If the ignition switch will not stop the product when set to the **stop** position, have the ignition switch repaired before using the product again to prevent unsafe conditions or serious injury.

NOTE: When you are finished using the product, always relieve tank pressure by loosening, then retightening, the chain lubricant and fuel caps. Allow the engine to cool down before storing.

HOLDING THE PRODUCT

See page 273.

Always hold the product with your right hand at the rear handle and your left hand at the front handle. Grip both handles with the thumbs and fingers encircling the handles. Ensure that your left hand is holding the front handle so that your thumb is underneath.

CHECKING AND OPERATING CHAIN BRAKE

1. Engage the chain brake by rotating your left hand around the front handle. Allow the back of your hand to push the chain brake lever/hand guard toward the bar while the chain is rotating rapidly. Be sure to maintain both hands on the handles of the product at all times.
2. Reset the chain brake back into the Run position by grasping the top of the chain brake lever/hand guard and pulling toward the front handle until you hear a click.

⚠ WARNING

If the chain brake does not stop the chain immediately, or if the chain brake will not stay in the run position without assistance, take the product to an authorised service centre for repair prior to use.

⚠ WARNING

When the throttle trigger is released and the engine is running at idle speed, the saw chain must not move. If it does continue to move there is risk of severe injury to the operator. Do not use the product, return it to an authorised service centre for professional adjustment.

CHECKING THE CLUTCH

1. Disengage the chain brake by pulling the chain brake lever/hand guard towards the front handle until a click is heard.
2. Allow the engine to run idle. Ensure that the saw chain is not rotating. If the saw chain rotates while running at idle speed, the clutch may be damaged. Do not use the product. Return it to an authorised service centre for professional adjustment.
3. Depress the throttle trigger half-way and run the product at mid speed. The saw chain should rotate smoothly if the clutch is in good working condition.

Causes and operator prevention of kickback:

Kickback may occur when the nose or tip of the guide bar touches an object, or when the wood closes in and pinches the saw chain in the cut.

Tip contact in some cases may cause a sudden reverse reaction, kicking the guide bar up and back towards the operator.

Pinching the saw chain along the top of the guide bar may push the guide bar rapidly back towards the operator.

Either of these reactions may cause you to lose control of the saw which could result in serious personal injury. Do not rely exclusively upon the safety devices built into your saw. As a chainsaw user, you should take several steps to keep your cutting jobs free from accident or injury.

Kickback is the result of tool misuse and/or incorrect operating procedures or conditions and can be avoided by taking proper precautions as given below:

- **Maintain a firm grip, with thumbs and fingers encircling the chainsaw handles, with both hands on the saw and position your body and arm to allow you to resist kickback forces.** Kickback forces can be controlled by the operator, if proper precautions are taken. Do not let go of the chainsaw.
- **Do not overreach and do not cut above shoulder height.** This helps prevent unintended tip contact and enables better control of the chainsaw in unexpected situations.
- **Only use replacement bars and chains specified by the manufacturer.** Incorrect replacement bars and chains may cause chain breakage and/or kickback.
- **Follow the manufacturer's maintenance instructions for the saw chain.** Decreasing the depth gauge height can lead to increased kickback.

PUSH AND PULL

See page 279.

The reaction force is always opposite to the direction the chain is moving. Thus, the operator must be ready to control the tendency for the product to pull away (forward

EN

FR

DE

ES

IT

NL

PT

DA

SV

FI

NO

RU

PL

CS

HU

RO

LV

LT

ET

HR

SL

SK

BG



motion) when cutting on the bottom edge of the bar and the push backwards (towards the operator) when cutting along the top edge.

SAW JAMMED IN THE CUT

Stop the product and make it safe. Do not try to force the chain and bar out of the cut as this is likely to break the chain which may swing back and strike the operator. This situation normally occurs because the wood is incorrectly supported and forcing the cut to close under compression thereby pinching the blade. If adjusting the support does not release the bar and chain, use wooden wedges or a lever to open the cut and release the product. Never try to start the product when the guide bar is already in a cut or kerf.

INSTRUCTIONS CONCERNING THE PROPER TECHNIQUES FOR BASIC FELLING, LIMBING, AND CROSS-CUTTING

Understanding the forces within the wood

When you understand the directional pressures and stresses inside the wood you can reduce the "pinches" or at least expect them during your cutting. Tension in the wood means the fibers are being pulled apart and if you cut in this area the "kerf" or cut will tend to open as the product goes through. If a log is being supported on a saw horse and the end is hanging unsupported over the end then tension is created on the upper surface due to the weight of the overhanging log stretching the fibers. Likewise, the underside of the log will be in compression and the fibers are being pushed together. If a cut is made in this area the kerf will have the tendency to close up during the cut. This would pinch the blade.

Felling a tree

See page 277 - 278.

When bucking and felling operations are being performed by two or more persons at the same time, the felling operations should be separated from the bucking operation by a distance of at least twice the height of the tree being felled. Trees should not be felled in a manner that would endanger any person, strike any utility line or cause any property damage. If the tree does make contact with any utility line, the company should be notified immediately.

The chain saw operator should keep on the uphill side of the terrain as the tree is likely to roll or slide downhill after it is felled.

An escape path should be planned and cleared as necessary before cuts are started. The escape path should extend back and diagonally to the rear of the expected line of fall.

Before felling is started, consider the natural lean of the tree, the location of larger branches and the wind direction to judge which way the tree will fall.

Remove dirt, stones, loose bark, nails, staples and wire from the tree.

Do not attempt to fell trees which are rotten or have been damaged by wind, fire, lightening, etc. This is extremely dangerous and should only be completed by professional tree surgeons.

- Notching undercut

6 | English

See page 277 - 278.

Make the notch 1/3 the diameter of the tree, perpendicular to the direction of falls. Make the lower horizontal notching cut first. This will help to avoid pinching either the saw chain or the guide bar when the second notch is being made.

- Felling back cut

See page 277 - 278.

Make the felling back cut at least 50 mm/2 in higher than the horizontal notching cut. Keep the felling back cut parallel to the horizontal notching cut. Make the felling back cut so enough wood is left to act as a hinge. The hinge wood keeps the tree from twisting and falling in the wrong direction. Do not cut through the hinge.

As the felling gets close to the hinge, the tree should begin to fall. If there is any chance that the tree may not fall in desired direction or it may rock back and bind the saw chain, stop cutting before the felling back cut is complete and use wedges of wood, plastic or aluminium to open the cut and drop the tree along the desired line of fall.

When the tree begins to fall remove the product from the cut, stop the engine, put the product down, then use the retreat path planned. Be alert for overhead limbs falling and watch your footing.

Removing buttress roots

See page 278.

A buttress root is a large root extending from the trunk of the tree above the ground. Remove large buttress roots prior to felling. Make the horizontal cut into the buttress first, followed by the vertical cut. Remove the resulting loose section from the work area. Follow the correct tree felling procedure after you have removed the large buttress roots.

Bucking a log

See page 279.

Bucking is cutting a log into lengths. It is important to make sure your footing is firm and your weight is evenly distributed on both feet. When possible, the log should be raised and supported by the use of limbs, logs or chocks. Follow the simple directions for easy cutting. When the log is supported along its entire length, it is cut from the top (overbuck).

When the log is supported on one end, cut 1/3 the diameter from the underside (underbuck). Then make the finished cut by overbucking to meet the first cut.

When the log is supported on both ends, cut 1/3 the diameter from the top (overbuck). Then make the finished cut by underbucking the lower 2/3 to meet the first cut.

When bucking on a slope always stand on the uphill side of the log. When "cutting through", to maintain complete control release the cutting pressure near the end of the cut without relaxing your grip on the handles of the product. Don't let the chain contact the ground. After completing the cut, wait for the saw chain to stop before you move the product. Always stop the engine before moving from tree to tree.

Limbing a tree

See page 280.

Limbing is removing the branches from a fallen tree. When limbing leave larger lower limbs to support the log off the ground. Remove the small limbs in one cut. Branches under tension should be cut from the bottom up to avoid binding the product.

Cutting springpoles

See page 280.

A springpole is any log, branch, rooted stump, or sapling which is bent under tension by other wood so that it springs back if the wood holding it is cut or removed.

On a fallen tree, a rooted stump has a high potential of springing back to the upright position during the bucking cut to separate the log from the stump. Watch out for springpoles—they are dangerous. Do not attempt to cut bent branches or stumps which are under tension unless you are professionally trained and competent to do so.

TRANSPORTATION AND STORAGE

- Stop the engine, engage the chain brake, disconnect spark plug wire from the spark plug and allow it to cool before storing or transporting.
- Clean all foreign material from the product.
- Drain all fuel from tank into a container approved for petrol. Remember to properly replace and tighten the fuel mix cap.
- Run the engine until it stops. This will remove all fuel-lubricant mix that could become stale and leave varnish and gum in the fuel system.
- Drain all bar and chain lubricant from tank into a container approved for lubricant. Remember to properly replace and tighten the chain lubricant cap.
- Always fit guide bar cover before storing the product, or during transportation.
- Store the product in a cool dry and well-ventilated place that is inaccessible to children. Keep away from corrosive agents such as garden chemicals and de-icing salts. Do not store outdoors.
- When carrying the product for short distance (from one working area to the next), always apply the chain brake so that the saw chain is restricted from movement.
- When transporting the product, secure it against movement or falling to prevent injury to persons or damage to the product.
- Never carry or transport the product while the engine is running.

Abide by all government and local regulations for the safe storage and handling of petrol. Excess fuel should be used in other 2-cycle engine powered equipment.

MAINTENANCE

Always keep the product in good working condition.

⚠ WARNING

Use only original manufacturer's replacement parts, accessories and attachments. Failure to do so can cause possible injury, poor performance and may void your warranty.

⚠ WARNING

Servicing requires extreme care and knowledge and should be performed only by a qualified service technician. For servicing and repairs, you have to return the product to your nearest authorised service centre. When servicing, use only identical replacement parts.

⚠ WARNING

Before inspecting, cleaning, or servicing the product, stop the engine, engage the chain brake, disconnect the spark plug wire from the spark plug. Failure to follow these instructions can result in serious personal injury or property damage.

- You may only make adjustments or repairs described in this manual. For other repairs, contact the authorised service centre.
- Consequences of improper maintenance may cause the chain brake and other safety features to not function correctly, thus increasing the potential for serious injury. Keep the product professionally maintained and safe.
- Sharpening the chain safely is a skilled task. Therefore the manufacturer strongly recommends that a worn or dull chain is replaced with a new one, available from your authorised service centre. The part number is available in the product specification table in this manual.
- Follow instructions for lubricating and chain tension checking and adjustment.
- After each use, clean the product with a soft dry cloth.
- Check all nuts, bolts and screws at frequent intervals for security to ensure the product is in safe working condition. Any part that is damaged should be properly repaired or replaced by an authorised service centre.

REPLACING GUIDE BAR AND SAW CHAIN

See page 282 - 285.

1. Stop the product. Wear protective gloves.
2. Disengage the chain brake.
3. Unscrew the guide bar locking knob and remove the sprocket cover.
4. Remove the bar and saw chain from the product.
5. Clean the underside of the sprocket.
6. To replace the bar with a new one, loosen the screw of the chain tension assembly. Mount the chain tension assembly on to the new bar and tighten the screw.
7. Attach the guide bar and chain tension assembly to the chain saw. Lower the guide bar so that the bolt goes through the hole in the bar and chain tension assembly.
8. The saw chain should face in the direction of chain rotation. If they face backwards, turn the loop over.
9. Place the loop around the drive sprocket. Then place

EN
FR
DE
ES
IT
NL
PT
DA
SV
FI
NO
RU
PL
CS
HU
RO
LV
LT
ET
HR
SL
SK
BG

the chain drive links into the bar groove. If needed, rotate the chain tension assembly to apply some tension to the chain which will help keep it in place.

10. Replace the sprocket cover.
11. Adjust the chain tension. Refer to the "Adjusting the chain tension" section.

CLEANING THE AIR FILTER

See page 290.

1. Stop the product. Make sure the chain brake is in the brake position.
2. Unscrew the locking knob on the air filter cover and remove it from the product.
3. Remove the air filter.
4. Remove the dust and dirt on the air filter with a brush. If necessary, split the air filter with a flat blade screw driver and clean the inside.
5. Replace the air filter cover and tighten the locking knob.

CLEANING THE SPARK ARRESTER

See page 291.

⚠ WARNING

The silencer is hot during and after operation of the product. To avoid serious personal injury, keep all body parts away from the silencer during and after operation.

1. Stop the product. Make sure the chain brake is in the brake position. Allow the silencer to cool.
2. Remove the screw holding the silencer cover to the spiked bumper, then remove the two nuts on the silencer cover.
3. Remove the silencer cover.
4. Take out the spark arrester. Clean the spark arrester screen with a small wire brush.
5. Replace the silencer cover. To replace the silencer cover, redo these steps in reverse order.

⚠ WARNING

The spiked bumper is a safety feature on the product. Secure it with the correct screw after replacing the silencer cover. Failure to follow this instruction may result in serious personal injury or death.

INSPECTING AND CLEANING THE CHAIN BRAKE

See page 294.

- Always keep the chain brake mechanism clean by lightly brushing the linkage free from dirt.
- Always test the chain brake performance after cleaning.
- Refer to "Operation - Checking and Operating Chain Brake" earlier in this manual for additional information.

ENGINE SPEED AND CARBURETTOR ADJUSTMENT

⚠ WARNING

Incorrect carburettor adjustment may increase the risk of injuries, fatal accidents, or product damage. For carburettor adjustment, bring the product to an authorised service centre.

MAINTENANCE SCHEDULE

Daily check	
Fuel mixture	Before each use
Bar lubrication	Before each use
Chain tension	Before each use and frequently
Clutch engagement (no chain movement at idling speed)	Before each use
Chain sharpness	Before each use, visual check
For damaged parts	Before each use
For loose fasteners	Before each use
For loose parts	Before each use
Chain brake function	Before each use
For fuel leaks	Before each use

INSPECT AND CLEAN:

Bar	Before each use
Complete saw	After each use
Air filter	Every 5 hours*
Chain brake	Every 5 hours*
Replace spark plug	Yearly
Replace fuel filter	Yearly

* Hours of Operation

RESIDUAL RISK

Even when the product is used as prescribed, it is still impossible to completely eliminate certain residual risk factors. The following hazards may arise in use and the operator should pay special attention to avoid the following:

- Injury caused by vibration. Always use the right tool for the job, use designated handles and restrict working time and exposure.
- Exposure to noise can cause hearing injury. Wear ear protection and limit exposure.
- Contact with exposed saw teeth of the chain (cutting hazards).
- Unforeseen, abrupt movement or kickback of the guide bar (cutting hazards).
- Parts ejected from the saw chain (cutting/injection

hazards).

- Thrown out pieces of the work piece (wood chips, splinters).
- Inhalation of saw dust and particles or emission from the petrol engine.
- Skin contact with petrol/oil.

RISK REDUCTION

It has been reported that vibrations from hand-held tools may contribute to a condition called Raynaud's Syndrome in certain individuals. Symptoms may include tingling, numbness and blanching of the fingers, usually apparent upon exposure to cold. Hereditary factors, exposure to cold and dampness, diet, smoking and work practices are all thought to contribute to the development of these symptoms. There are measures that can be taken by the operator to possibly reduce the effects of vibration:

- Keep your body warm in cold weather. When operating the product wear gloves to keep the hands and wrists warm. It is reported that cold weather is a major factor contributing to Raynaud's Syndrome.
- After each period of operation, exercise to increase blood circulation.
- Take frequent work breaks. Limit the amount of exposure per day.
- Protective gloves available from professional chainsaw retailers are designed specifically for chainsaw use and give protection and good grip. Gloves also reduce the effect of handle vibration. These gloves should comply with EN381-7 and must be CE marked.

If you experience any of the symptoms of this condition, immediately discontinue use and see your doctor.

⚠ WARNING

Injuries may be caused, or aggravated, by prolonged use of a tool. When using any tool for prolonged periods, ensure you take regular breaks.

KNOW YOUR PRODUCT

See page 271.

PARTS

1. Chain
2. Guide bar
3. Front hand guard/Chain brake
4. Front handle
5. Air cleaner cover
6. Starter grip
7. Rear handle
8. Spiked bumper
9. Silencer cover
10. Fuel mix cap
11. Chain lubricant cap
12. Ignition switch
13. Trigger release
14. Throttle trigger
15. Primer bulb
16. Choke lever

17. Combination wrench
18. Sprocket cover
19. Chain catcher
20. Chain tensioner adjustment ring
21. Guide bar locking knob
22. Guide bar cover

SAFETY DEVICES

LOW KICK-BACK SAW CHAIN

A low-kick-back saw chain helps to reduce the possibility of a kickback event.

The rakers (depth gauges) ahead of each cutter can minimize the force of a kick-back reaction by preventing the cutters from digging in too deeply. Only use replacement guide bar and chain combinations recommended by the manufacturer.

As saw chains are sharpened, they lose some of the low kickback qualities and extra caution is required. For your safety, replace saw chains when cutting performance decreases.

SPIKED BUMPER

The integral bumper spike may be used as a pivot when making a cut. It helps to keep the body of the product steady while cutting. When cutting, push the product forward until the spikes dig into the edge of the wood, then by moving the rear handle up or down in the direction of the cutting line it can help ease the physical strain of cutting.

GUIDE BARS

Generally, guide bars with small radius tips have somewhat lower potential for kick-back. Only use replacement guide bar and chain combinations recommended by the manufacturer. The use of unrecommended guide bars increase the risk of loss of control during sawing. Regularly check the chain tension. When cutting smaller branches (less than the full length of the guide bar) the chain is more likely to be thrown off if the tension is not correct.

CHAIN BRAKE

Chain brakes are designed to quickly stop the chain rotation. When the chain brake lever/hand guard is pushed towards the bar, the chain should stop immediately. A Chain brake does not prevent kick-back. It only lowers the risk of injury should the chain bar contact the operators body during a kick-back event. The chain brake should be tested before each use for correct operation in both the run and brake positions.


















CHAIN CATCHER
















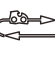

A chain catcher prevents the saw chain from being thrown back towards the operator if the saw chain comes loose or breaks.

SYMBOLS ON THE PRODUCT



Safety alert

-  Read and understand all instructions before operating the product, follow all warnings and safety instructions.
-  Wear eye, ear and head protection.
-  Wear non-slip safety footwear when using the product.
-  Wear non-slip, heavy duty gloves.
-  Beware of chain saw kickback and avoid contact with bar tip.
-  Hold and operate the product properly with both hands.
-  Do not operate the product using only one hand.
-  Conforms to all regulatory standards in the country in the EU where the product is purchased.
-  Use unleaded petrol intended for motor vehicle use with an octane rating of 91 ((R+M)/2) or higher.
-  Use 2-stroke oil for air cooled engines.
-  Mix the fuel mix thoroughly and also each time before refueling.
-  Add bar and chain oil every time you add fuel to the product.
-  Set the chain brake to the RUN position.
-  Set the chain brake to the BRAKE position.
-  Turn ignition switch to the ON position.
-  Fully press and release the primer bulb at least 10 times.
-  Set the choke lever to the full choke position.

-  Pull the starter rope until the first firing of the engine is heard (no more than five pulls).
-  Set the choke lever to the half position.
-  Pull starter grip until the engine starts.
-  Depress the trigger release and throttle trigger.
-  EurAsian Conformity Mark
-  The guaranteed sound power level is 112 dB
-  Bar and chain lubricant
-  Unleaded petrol and 2 stroke oil.
-  Run position
-  Half choke position
-  Full choke position
-  Lock
-  Unlock
-  Rotate to adjust chain tension
+ = Tighten the chain
- = Loosen the chain
-  Moving direction of the chain. (Marked under the sprocket cover)
-  Normal mode
-  Anti-freeze mode

T	Idle speed adjustment
H	High Speed adjustment needle
L	Low Speed adjustment needle

⚠ CAUTION
Indicates a potentially hazardous situation, which, if not avoided, may result in minor or moderate injury.

CAUTION
Without safety alert symbol
Indicates a situation that may result in property damage.

EN
FR
DE
ES
IT
NL
PT
DA
SV
FI
NO
RU
PL
CS
HU
RO
LV
LT
ET
HR
SL
SK
BG

SYMBOLS IN THIS MANUAL



Mix fuel outdoors where there are no sparks or flames.



Do not smoke when mixing fuel or filling fuel tank.



Parts or accessories sold separately



Waste electrical products should not be disposed of with household waste. Please recycle where facilities exist.



Note



Warning



Wear eye and face protection.



Wear upper body protection.



Wear leg protection.



Stop the product.



Lock the filter access cover.



Unlock the filter access cover.

The following signal words and meanings are intended to explain the levels of risk associated with the product.

⚠ DANGER
Indicates an imminently hazardous situation, which, if not avoided, will result in death or serious injury.

⚠ WARNING
Indicates a potentially hazardous situation, which, if not avoided, could result in death or serious injury.

La plus grande priorité a été donnée à la sécurité, aux performances et à la fiabilité de votre tronçonneuse thermique lors de sa conception.

UTILISATION PRÉVUE

Ce produit ne doit être utilisé qu'à l'extérieur dans une zone bien ventilée. Pour des raisons de sécurité, le produit doit être en permanence contrôlé des deux mains.

Le produit est destiné à la coupe des branches, troncs, bûches, et poutres d'un diamètre déterminé par la longueur de coupe du guide-chaîne. Il n'est autorisé de l'utiliser que pour couper du bois. Il ne doit être utilisé que de façon privée par des adultes ayant reçu un entraînement approprié couvrant les risques et mesures préventives liés à son utilisation.

N'utilisez pas le produit pour un usage autre que ceux listés ci-dessus. Il ne doit pas être utilisé de façon professionnelle pour l'abattage et l'élagage des arbres. Le produit ne doit pas être utilisé par des enfants ou par des personnes ne portant pas des équipements et vêtements de sécurité.

⚠ AVERTISSEMENT

Suivez les règles de sécurité lorsque vous utilisez le produit. Pour votre sécurité et celle des passants, vous devez lire et totalement comprendre ces instructions avant d'utiliser le produit. Vous devriez suivre un stage professionnel de sécurité ayant trait à l'utilisation et à l'entretien des tronçonneuses, ainsi qu'aux mesures préventives et aux premiers soins. Veuillez conserver ce manuel pour vous-y reporter dans le futur.

⚠ AVERTISSEMENT

Les tronçonneuses sont des outils potentiellement dangereux. Les accidents impliquant l'utilisation de tronçonneuses causent souvent la perte d'un membre ou la mort. La tronçonneuse en elle-même n'est pas le seul risque. La chute de branches et d'arbres et la rotation des bûches peuvent tuer. Le bois malade ou pourri crée des risques supplémentaires. Vous devez jauger votre capacité à effectuer une tâche de façon sûre. En cas de doute quel qu'il soit, confiez le travail à un spécialiste du bois.

AVERTISSEMENTS GÉNÉRAUX DE SÉCURITÉ

- La législation de certaines régions restreint l'utilisation du produit. Contactez les autorités locales pour obtenir des conseils.
- Ne laissez jamais les enfants ou les personnes non familiarisées avec le mode d'emploi utiliser le produit. Les lois locales peuvent imposer un âge minimum à l'opérateur.
- Avant chaque utilisation assurez-vous que toutes les commandes et tous les organes de sécurité fonctionnent correctement. N'utilisez pas le produit si son interrupteur "arrêt" est inopérant à arrêter le moteur.
- Ne jamais démarrer ou faire tourner le moteur en un lieu fermé ou mal ventilé; l'inhalation de gaz d'échappement pouvant être mortelle.

- Nettoyez la zone de travail avant chaque utilisation, une zone de travail encombrée et en désordre est propice aux accidents.
- Portez une protection oculaire et auditive complète, des gants épais et solides, des chaussures de sécurité antidérapantes ainsi qu'un casque de chantier lorsque vous utilisez le produit. Portez un masque anti-poussières si l'opération est poussiéreuse.
- Ne portez pas de vêtements amples, de pantalons courts ou de bijoux d'aucune sorte.
- Attachez les cheveux longs au-dessus du niveau des épaules afin d'éviter qu'ils ne se prennent dans les parties en mouvement.
- Prenez garde aux objets volants, projetés ou tombant. Gardez tous les passants (en particulier les enfants et les animaux) éloignés d'au moins 15m de distance de la zone de travail.
- N'utilisez jamais le produit dans une atmosphère explosive ou inflammable.
- Serrez fermement les deux poignées des deux mains lorsque vous utilisez le produit.
- Restez vigilant, regardez ce que vous faites et faites preuve de bon sens lorsque vous utilisez l'appareil. N'utilisez pas ce produit lorsque vous êtes fatigué, malade, ou sous l'influence de l'alcool, de drogues ou de médicaments. Un moment d'inattention lors de l'utilisation de la machine suffit à provoquer de graves blessures.
- N'utilisez pas cet outil dans une zone mal éclairée. L'opérateur doit avoir une bonne vue d'ensemble de la zone de travail pour identifier les dangers éventuels.
- L'utilisation d'une protection auditive réduit la capacité à entendre les avertissements (cris ou alarmes). L'utilisateur doit redoubler d'attention par rapport aux événements survenant dans la zone de travail.
- L'utilisation d'outils similaires alentour augmente le risque d'atteinte à l'audition ainsi que le risque que d'autres personnes entrent dans la zone de travail.
- Gardez un bon appui et un bon équilibre. Ne pas se précipiter. Un travail en extension peut entraîner une perte d'équilibre ou une mise en contact avec les surfaces chaudes et augmenter le risque de rebond.
- Maintenez toutes les parties de votre corps éloignées des parties en mouvement.
- Ne touchez pas les surfaces proches du silencieux et du moteur de l'appareil, car elles deviennent très chaudes pendant le fonctionnement.
- Vérifiez la machine avant chaque utilisation. Vérifiez le fonctionnement correct de toutes les commandes, frein de chaîne compris. Vérifiez le bon serrage des attaches, assurez-vous que toutes les protections et poignées sont bien en place et bien verrouillées. Remplacez toute pièce endommagée avant utilisation.
- Ne modifiez la machine d'aucune façon et n'utilisez pas de pièces ou accessoires non recommandés par le fabricant.

⚠ AVERTISSEMENT

Si le produit est tombé, a subi un choc important ou se met à vibrer de façon anormale, arrêtez-le immédiatement et recherchez les dommages éventuels ou identifiez la cause des vibrations. Toute pièce endommagée doit être correctement remplacée ou réparée par un service après-vente agréé.

- Pour refaire le plein d'essence ou procéder à son mélange, choisissez un endroit bien ventilé, et éloigné de toute source d'embranchement (étincelles, flammes, etc.) et de matériaux inflammables.
- Mélangez et conservez le carburant dans un récipient homologué pour contenir de l'essence.
- Mélangez le carburant à l'air libre, loin de toute étincelle ou flamme. Essuyez le carburant répandu. Éloignez-vous de 10 m de la zone de remplissage avant de démarrer le moteur.
- Arrêtez le moteur et laissez-le refroidir avant de refaire le plein et avant de ranger la machine ou de la transporter.
- Appelez-vous de bien fermer tous les bouchons de réservoir/bidon d'essence après avoir fait le plein ou préparé du mélange.

AVERTISSEMENTS DE SÉCURITÉ RELATIFS À LA TRONÇONNEUSE

- Mettez toujours la protection du guide-chaîne en place lorsque vous n'utilisez pas le produit ou lorsque vous le portez ou que vous le transportez. Vous aiderez ainsi à réduire les risques de mise en contact accidentelle avec les dents affûtées de la chaîne. Transportez le produit par sa poignée avant, le guide-chaîne en direction opposée de votre corps.
- Vous devriez vous familiariser avec votre nouvelle tronçonneuse en effectuant des coupes simples dans du bois bien calé. Faites-le si vous n'avez pas utilisé la tronçonneuse depuis longtemps.
- Coupez les bûches sur un chevalet ou sur un berceau lors de la première utilisation du produit.
- Assurez-vous que toutes les protections et poignées ainsi que l'arrêteur à griffes sont bien en place et en bon état.
- Les utilisateurs du produit doivent être en bonne santé. Ce produit pesant un certain poids, l'utilisateur doit être en bonne forme physique. L'utilisateur doit être vigilant, avoir une bonne vue, une bonne mobilité, un bon sens de l'équilibre, et être adroit de ses mains. En cas de doute quel qu'il soit, n'utilisez pas la tronçonneuse.
- Ne vous tenez pas sur une surface instable lorsque vous utilisez le produit. Ceci peut comprendre, de façon non exhaustive, les échelles, les échafaudages, et les arbres. Gardez en permanence vos deux mains sur les poignées du produit.
- Ne commencez pas à utiliser le produit avant de disposer d'une zone de travail dégagée, d'avoir un bon appui au sol, ainsi qu'un chemin de repli éloigné de la zone de chute de l'arbre.
- Soyez extrêmement prudent lorsque vous coupez des billes et des branches de petite taille car les éléments fins peuvent s'accrocher à la chaîne coupante et être projetés dans votre direction ou vous déséquilibrer.
- Lorsque vous coupez une branche sous contrainte, soyez prêt à vous éloigner rapidement de façon à ne pas être frappé lorsque la tension dans les fibres du bois se relâche.
- Prenez garde aux émissions de gaz d'échappement, aux vapeurs d'huile et à la sciure. Portez un masque ou un respirateur au besoin.
- Ne coupez pas de vigne et/ou de petites broussailles (de moins de 75 mm de diamètre).
- Tenez toujours la tronçonneuse des deux mains lorsque vous l'utilisez. Tenez la tronçonneuse fermement, vos doigts entourant les poignées. La main droite doit tenir la poignée arrière et la main gauche la poignée avant.
- Avant de mettre l'outil en marche, assurez-vous que rien n'est en contact avec la chaîne de la tronçonneuse. Démarrez toujours le produit avec le frein de chaîne actionné (complètement poussé en avant).
- Ne modifiez votre produit d'aucune façon, et ne l'utilisez pas pour faire fonctionner des accessoires ou appareils non recommandés par le fabricant de votre produit.
- Il devrait toujours y avoir une trousse de premiers soins contenant de grands pansements et un dispositif permettant d'attirer l'attention (par ex. un sifflet) à proximité de l'utilisateur. Une trousse de premiers soins mieux fournie doit aussi se trouver à distance raisonnablement proche.
- L'opérateur pourrait être tenté de retirer son casque si aucun risque de chute d'objets n'est présent, mais rappelez-vous que le casque, en particulier s'il est équipé d'une visière à grille, peut aider à réduire les risques de blessures infligées au visage et à la tête en cas de rebond.
- Une chaîne mal tendue peut dérailler du guide-chaîne et provoquer de graves blessures potentiellement mortelles. La longueur de la chaîne dépend de sa température et de son degré d'usure. Vérifiez fréquemment sa tension.
- Gardez les poignées propres, sèches, et exemptes d'huile et de graisse. Des poignées grasses ou huileuses sont glissantes et peuvent entraîner une perte de contrôle.
- Pour réduire le risque de blessures occasionnées par le contact avec les éléments en mouvement, toujours arrêter le moteur, débrancher l'antiparasite et s'assurer que tous les éléments en mouvement se sont bien arrêtés avant de
 - nettoyer ou dégager la cause d'un blocage
 - laisser le produit sans surveillance
 - mettre en place ou retirer des accessoires
 - travailler sur le produit, de le vérifier ou de l'entretenir
- La superficie de la zone de travail dépend du travail à effectuer tout autant que de la taille de l'arbre ou de la pièce à usiner. Par exemple, l'abattage d'un arbre demande une zone de travail plus importante que les autres coupes, telles que le tronçonnage, etc.

EN
FR
DE
ES
IT
NL
PT
DA
SV
FI
NO
RU
PL
CS
HU
RO
LV
LT
ET
HR
SL
SK
BG

L'opérateur doit être conscient de son environnement de travail et opérer un contrôle total sur tout événement pouvant s'y produire.

- Ne coupez pas en ayant votre corps aligné avec le guide-chaîne et avec la chaîne. En cas de rebond, vous aiderez ainsi à éviter que la chaîne n'entre en contact avec votre tête ou votre corps.
- N'effectuez pas de mouvement de sciage d'avant en arrière, laissez la chaîne effectuer le travail. Gardez la chaîne bien affûtée, et ne tentez pas de la pousser dans la coupe.
- N'exercez pas de pression sur la tronçonneuse en fin de coupe. Tenez-vous prêt à supporter le poids de la tronçonneuse une fois celle-ci libérée en fin de la coupe. Le non respect de cet avertissement peut entraîner de graves blessures.
- N'arrêtez pas la tronçonneuse en pleine opération de coupe. Gardez la tronçonneuse en fonctionnement jusqu'à ce qu'elle soit sortie de la coupe.

Équipement de protection individuel

Un équipement de protection individuel de bonne qualité utilisé par des professionnels aide à réduire le risque de blessures infligées à l'opérateur. Les éléments suivants doivent être utilisés lorsque vous utilisez votre tronçonneuse :

Casque de sécurité

- doit être conforme à EN 397 et porter l'inscription CE

Protection auditive

- doit être conforme à EN 352-1 et porter l'inscription CE

Protection oculaire et faciale

- doit porter l'inscription CE et être conforme à EN 166 (pour les lunettes de sécurité) ou EN 1731 (pour les visières à grille)

Gants

- doit être conforme à EN 381-7 et porter l'inscription CE

Protèges-jambes (jambières)

- doivent être conformes à EN381-5, porter l'inscription CE et protéger tout le tour des jambes.

Bottes de protection pour tronçonneuse

- doivent être conformes à EN ISO 20345:2004 et porter un pictogramme de tronçonneuse indiquant la conformité à EN 381-3. (Les utilisateurs occasionnels peuvent porter des chaussures de sécurité à embouts acier et des guêtres de sécurité conformes à EN 381-9 si le sol est régulier et que le risque de trébucher ou de s'emmêler dans des broussailles est faible)

Vestes de protection du haut du corps pour tronçonneuse

- doit être conforme à EN 381-11 et porter l'inscription CE

MONTAGE

⚠ AVERTISSEMENT

Si une quelconque pièce ou partie de cette tondeuse est manquante ou endommagée, ne l'utilisez pas avant d'avoir changé la pièce. Le non-respect de cet avertissement pourrait entraîner de graves blessures.

MONTAGE DE LA CHAÎNE ET DU GUIDE-CHAÎNE

Voir page 273, Fig. 5 - 8.

1. Arrêtez le produit. Portez des gants de protection.
2. Dégagez le frein de chaîne.
3. Dévissez le bouton de verrouillage du guide-chaîne puis retirez le carter de pignon.
4. Mettez en place le guide-chaîne et l'ensemble tensionneur de chaîne sur la tronçonneuse. Abaissez le guide-chaîne de façon que le boulon traverse le trou du guide et de l'ensemble tensionneur de chaîne.
5. La chaîne doit être orientée vers son sens de rotation. Si elles sont orientées dans le sens inverse, retournez la boucle que vous avez formée.
6. Placez la boucle autour du pignon d'entraînement. Placez les maillons d'entraînement dans le rail du guide. Au besoin, faites pivoter l'ensemble tensionneur de chaîne pour appliquer une certaine tension à la chaîne, ce qui aidera à la maintenir en place.
7. Remettez le carter de pignon en place.
8. Réglez la tension de la chaîne. Reportez-vous au chapitre " Réglage de la tension de la chaîne".

RÉGLAGE DE LA TENSION DE LA CHAÎNE

Voir page 286.

1. Desserrez légèrement le bouton de verrouillage du guide-chaîne en le tournant dans le sens inverse des aiguilles d'une montre.
2. Pour augmenter la tension de la chaîne, tournez la bague de réglage de tension dans le sens des aiguilles d'une montre et vérifiez régulièrement la tension de la chaîne. Pour diminuer la tension de la chaîne, tournez la bague de réglage de tension dans le sens inverse des aiguilles d'une montre et vérifiez régulièrement la tension de la chaîne.
3. La tension est correcte lorsque le jeu entre la dent de la chaîne et le guide-chaîne est de 3 mm à 4 mm. Tirez la chaîne vers le bas au niveau du milieu de la partie inférieure du guide-chaîne (de façon à l'éloigner du guide-chaîne) et mesurez la distance entre le guide-chaîne et les dents de coupe.
4. Serrez le bouton de verrouillage du guide-chaîne en le tournant dans le sens des aiguilles d'une montre.

REMARQUE: La température de la chaîne augmente en cours d'utilisation normale, ce qui augmente son élongation. Contrôlez régulièrement la tension de la chaîne et retendez-la chaque fois que c'est nécessaire. Une chaîne tendue à chaud peut s'avérer trop serrée une fois refroidie. Assurez-vous que la tension de la chaîne est correcte en vous référant à ces instructions.

UTILISATION DU PRODUIT

CARBURANT ET REMPLISSAGE DU RÉSERVOIR

Manipulation du carburant en toute sécurité

⚠ AVERTISSEMENT

Arrêtez toujours le moteur avant de faire le plein. Ne remplissez jamais le réservoir d'un outil dont le moteur est en marche ou encore chaud. Éloignez-vous de 10 m au moins de l'endroit où vous avez rempli le réservoir avant de faire démarrer le moteur. Ne fumez pas! Le non-respect de cet avertissement peut entraîner des blessures corporelles graves.

⚠ AVERTISSEMENT

Assurez-vous que l'outil ne présente pas de fuite de carburant. Réparez toute fuite éventuelle avant d'utiliser l'appareil pour éviter tout incendie et toute blessure par brûlure.

- Manipulez toujours l'essence avec précaution, elle est hautement inflammable.
- Refaites toujours le plein d'essence à l'extérieur, à l'écart de toute source d'embrasement ; n'inhalez pas les vapeurs d'essence.
- Évitez que de l'essence ou de l'huile n'entre en contact avec votre peau. En cas de contact, lavez immédiatement à grande eau et avec du savon.
- Évitez surtout toute projection d'essence ou d'huile dans vos yeux. Si de l'essence ou de l'huile est projetée dans vos yeux, rincez-les immédiatement à l'eau claire. S'ils restent irrités, consultez immédiatement un médecin.

Mélange du carburant

- Votre outil fonctionne avec un moteur à 2 temps nécessitant un mélange d'essence et d'huile de synthèse 2 temps (ratio 2%). Mélangez de l'essence sans plomb et de l'huile 2 temps dans un récipient propre homologué pour contenir de l'essence.
- Le moteur fonctionne avec de l'essence sans plomb pour véhicules avec un indice d'octane de 91 ([R + M] / 2) ou plus.
- N'utilisez pas les mélanges essence / huile préparés dans les stations services. Notamment ceux destinés aux cyclomoteurs, aux mobylettes, etc.
- Utilisez une huile pour moteurs 2-temps refroidis par air de haute qualité. N'utilisez pas d'huile pour voiture ou d'huile pour moteurs hors-bord.
- Mélangez 2 % d'huile à l'essence. Soit un rapport de 50 : 1.
- Mélangez bien le carburant avant chaque remplissage.
- Mélangez du carburant en petites quantités. Ne préparez pas plus de l'équivalent d'un mois d'utilisation. Nous vous recommandons d'utiliser une huile de synthèse 2 temps contenant un stabilisateur de

carburant.

REMARQUE: Les dommages et problèmes de performance consécutifs à l'utilisation d'une essence oxygénée contenant un pourcentage d'additifs oxygénant supérieur à ceux mentionnés ci-dessus ne sont pas couverts par la garantie.

Remplissage du réservoir d'essence

Voir page 273.

- Nettoyez le réservoir autour du bouchon afin d'éviter toute contamination du carburant.
- Desserrez lentement le bouchon d'essence.
- Versez avec précaution le mélange de carburant dans le réservoir. En évitant d'en répandre.
- Avant de revisser le bouchon, nettoyez le joint et assurez-vous qu'il est en bon état.
- Remplacez immédiatement le bouchon du réservoir et serrez-le fermement. Essayez le carburant répandu.

REMARQUE: Il est normal que le moteur émette de la fumée pendant et après la première utilisation.

AJOUT D'HUILE DE LUBRIFICATION DE CHAÎNE

Voir page 273.

⚠ AVERTISSEMENT

Ne travaillez jamais sans huile de chaîne. Si la chaîne tourne sans lubrifiant, cela peut endommager la chaîne et le guide-chaîne. Il est donc essentiel de vérifier fréquemment le niveau d'huile à l'aide de la jauge, ainsi qu'à chaque démarrage.

1. Nettoyez la surface autour du bouchon d'huile pour éviter toute contamination.
2. Dévissez et retirez le bouchon du réservoir d'huile.
3. Versez l'huile dans le réservoir d'huile et vérifiez la jauge de niveau d'huile. Prenez garde de ne pas faire pénétrer de saletés dans le réservoir d'huile lors de son remplissage.
4. Remettez le bouchon d'huile en place et serrez-le. Essayez toute huile renversée.
5. Un réservoir d'huile plein vous permet d'utiliser la tronçonneuse pendant 20 - 40 minutes.

REMARQUE: Un système de lubrification de la chaîne et du guide-chaîne qui fonctionne correctement délivrera normalement de l'huile à la chaîne en cours de fonctionnement. Pour vérifier le bon fonctionnement du système de lubrification de la chaîne et du guide-chaîne, dirigez l'extrémité de la chaîne vers une surface lumineuse colorée, telle qu'un journal. Une nette giclée d'huile doit être visible après un bref instant.

Huile lubrifiante pour chaîne recommandée

- Le fabricant vous recommande de n'utiliser que de l'huile pour chaîne de marque Ryobi. (Disponible auprès de votre service après-vente agréé)

DÉMARRAGE DU PRODUIT

La méthode de démarrage varie selon que le moteur est froid ou chaud.

⚠ AVERTISSEMENT

Tenez-vous à gauche du guide-chaîne. N'enjambez jamais la tronçonneuse ou la chaîne; ne vous penchez jamais au-delà de la trajectoire de la chaîne.

- Posez le produit sur un sol plat et assurez-vous qu'aucun objet ni obstacle alentour n'est susceptible d'entrer en contact avec la chaîne ou avec le guide-chaîne.
- Tenez fermement la poignée avant avec votre main gauche et posez votre pied droit sur la base de la poignée arrière.

REMARQUE: Dans les instructions de démarrage qui suivent, lorsque le levier de starter est tiré à fond en position START, l'accélérateur est prêt au démarrage. Pour remettre l'accélérateur en position RUN, enfoncez et relâchez la gâchette des gaz.

Démarrage d'un moteur froid :

Voir page 272 - 273.

1. Mettez le contacteur d'allumage en position ON (marche).
2. Assurez-vous que le frein de chaîne est en position BRAKE en poussant le levier/protège-main vers l'avant.
3. Pompez la pompe d'amorçage 10 fois .
4. Tirez complètement le levier de starter pour le mettre en position START.
5. Si la température ambiante est supérieure à 10°C, tirez sur la poignée du lanceur jusqu'à ce que le moteur fasse mine de démarrer, mais pas plus de 3 fois. Lorsque la température ambiante est inférieure à 10°C, tirez sur la poignée du lanceur jusqu'à ce que le moteur fasse mine de démarrer, mais pas plus de 5 fois.
6. Mettez le levier de starter en position "HALF". Tirez sur la poignée du lanceur jusqu'à ce que le moteur démarre.
7. Enfoncez le déverrouillage de la gâchette et pressez la gâchette des gaz, puis relâchez la gâchette des gaz pour remettre le moteur au ralenti.
8. Laissez le produit tourner au ralenti pendant 15 - 30 secondes.
9. Avant d'accélérer le moteur ou de couper du bois, assurez-vous que le frein de chaîne est enclenché en tirant le levier de frein/protège-mains vers l'arrière.

⚠ MISE EN GARDE

Si vous ne relâchez pas la gâchette pour ralentir le moteur lorsque le frein de chaîne est enclenché, vous risquez d'endommager le moteur. Ne maintenez jamais la gâchette enfoncée alors que le frein est enclenché.

Démarrage d'un moteur chaud :

Voir page 281.

1. Mettez le contacteur d'allumage en position ON (marche).
2. Assurez-vous que le frein de chaîne est en position BRAKE en poussant le levier/protège-main vers l'avant.
3. Pressez la poire d'amorçage à 10 reprises.
4. Tirez complètement le levier de starter pour le mettre

en position "START" (démarrage) puis repoussez-le en position "RUN" (fonctionnement).

5. Tirez sur le lanceur jusqu'à ce que le moteur tourne, mais pas plus de 5 fois. Enfoncez le déverrouillage de la gâchette et pressez la gâchette des gaz, puis relâchez la gâchette des gaz pour remettre le moteur au ralenti. Si le moteur ne démarre pas après 5 tractions, suivez la procédure de démarrage à froid.
6. Assurez-vous que le frein de chaîne est en position RUN en tirant le levier/protège-main vers l'arrière.

PASSAGE D'UN MODE DE FONCTIONNEMENT À UN AUTRE

Voir page 287.

Le produit comporte un mode antigel qui empêche le givre de se former à l'intérieur du carburateur lorsque la température ambiante est inférieure ou égale à 5°C.

Un volet de ventilation sur le côté droit du couvercle de filtre à air peut être repositionné de façon à permettre au moteur d'être alimenté en air chaud afin d'empêcher la formation de givre dans le carburateur.

⚠ AVERTISSEMENT

Si vous ne passez pas du mode normal au mode antigel lorsque la température ambiante est inférieure ou égale à 5°C, la puissance de sortie sera réduite et des pannes pourront se produire.

Rappelez-vous toujours de remettre le produit en mode de fonctionnement normal lorsqu'il n'y a aucun risque que du givre ne se forme à l'intérieur du carburateur. Si vous ne passez pas du mode antigel au mode normal lorsque la température ambiante est normale, des pannes pourront se produire.

ARRÊT DU MOTEUR

Relâchez la gâchette d'accélérateur et laissez le moteur ralentir. Pour arrêter le moteur, placez l'interrupteur sur "O", en position ARRÊT . Ne posez pas votre tronçonneuse sur le sol tant que la chaîne est en rotation. Pour plus de sécurité, enclenchez le frein de chaîne lorsque vous n'utilisez pas votre tronçonneuse.

Si l'interrupteur n'arrête pas la tronçonneuse, tirez le levier de starter jusqu'à ce qu'il soit complètement sorti (étranglement maximum) et enclenchez le frein de chaîne pour arrêter le moteur. Si l'interrupteur ne permet pas d'arrêter la tronçonneuse lorsqu'il est placé sur arrêt "O", faites-le réparer avant d'utiliser de nouveau votre tronçonneuse pour éviter de travailler dans des conditions dangereuses et de vous blesser gravement.

REMARQUE: Quand vous avez fini d'utiliser la tronçonneuse, laissez la pression s'évacuer en dévissant les bouchons des réservoirs d'huile et de carburant. Laissez le moteur refroidir avant de ranger l'appareil.

MAINTIEN DU PRODUIT

Voir page 273.

Tenez toujours la tondeuse avec votre main droite sur la poignée arrière et votre main gauche sur la poignée avant. Agrippez les deux poignées de façon que vos pouces et vos doigts les encerclent. Assurez-vous que votre main

gauche tient la poignée avant de telle façon que votre pouce se trouve en dessous.

VÉRIFICATION ET UTILISATION DU FREIN DE CHAÎNE

1. Actionnez le frein de chaîne en faisant tourner votre main gauche autour de la poignée avant. À l'aide du dos de votre main, poussez le levier du frein de chaîne/ sur le protège-mains en direction du guide-chaîne alors que la chaîne est en rotation rapide. Assurez-vous de maintenir les poignées de la tronçonneuse des deux mains en permanence.
2. Remettez le frein de chaîne en position Run (fonctionnement) en saisissant la partie supérieure du levier de frein/protège-mains et en le tirant vers la poignée avant jusqu'à entendre un clic.

⚠ AVERTISSEMENT

Si le frein de chaîne ne stoppe pas immédiatement la chaîne, ou s'il ne reste pas en position de fonctionnement sans y être aidé, apportez la tronçonneuse à un service après vente agréé pour la faire réparer avant de continuer à l'utiliser.

⚠ AVERTISSEMENT

Lorsque la gâchette-accelérateur est relâchée et que le moteur tourne au ralenti, la chaîne ne doit pas tourner. Dans le cas contraire, l'opérateur risque de subir des blessures graves. N'utilisez pas le produit, rapportez-le à un réparateur agréé pour le faire régler par un professionnel.

VÉRIFICATION DE L'EMBRAYAGE

1. Dégagez le frein de chaîne en poussant le levier/protège-mains vers l'avant en direction de la poignée avant jusqu'à entendre un clic.
2. Laissez le moteur tourner au ralenti. Assurez-vous que le frein de chaîne n'est pas enclenché. Si la chaîne de la tronçonneuse tourne tout tourne au ralenti, l'embrayage peut être endommagé. N'utilisez pas la machine. Rapportez-la à un réparateur agréé pour la faire régler par un professionnel.
3. Enfoncez la gâchette-accelérateur à mi-chemin et faites tourner le moteur à mi-régime. La chaîne de la tronçonneuse doit tourner de façon régulière si l'embrayage est en bon état de fonctionnement.

Causes et prévention du rebond :

Il peut se produire un rebond si l'extrémité du guide-chaîne entre en contact avec un objet ou si la chaîne coupante se pince et se bloque dans le bois pendant la coupe.

Dans certains cas, le contact avec le nez du guide-chaîne peut provoquer une réaction inverse soudaine, faisant rebondir le guide-chaîne vers le haut et en direction de l'opérateur.

Le pincement de la chaîne au niveau du haut du guide-chaîne est susceptible de le repousser rapidement le guide-chaîne en direction de l'opérateur.

Chacune de ces réactions est susceptible de vous faire perdre le contrôle de la machine et d'entraîner de graves blessures. Ne vous fiez pas exclusivement aux éléments

de protection de votre tronçonneuse. Vous devez également prendre différentes mesures pour éviter les risques d'accidents ou de blessures.

Le rebond est le résultat d'une utilisation incorrecte de l'outil et/ou de mauvaises procédures ou conditions d'utilisation, et il peut être évité en prenant les précautions adéquates indiquées ci-dessous :

- **Maintenez fermement la tronçonneuse des deux mains, vos pouces et vos doigts enserrant ses poignées, et positionnez votre corps et vos bras de façon à pouvoir résister aux forces de rebond.** Les forces de rebond peuvent être maîtrisées par l'opérateur si des précautions adaptées sont prises. Ne lâchez pas la tronçonneuse.
- **Ne travaillez pas en extension et ne tronçonnez pas au dessus du niveau des épaules.** Vous aiderez ainsi à éviter le contact accidentel avec le nez du guide-chaîne et à améliorer la contrôle de la tronçonneuse en cas de situation inattendue.
- **N'utilisez que les chaînes et guides-chaînes indiqués par le fabricant.** Des chaînes et guides-chaînes de rechange de type incorrect pourraient entraîner une rupture de la chaîne et/ou un rebond.
- **Suivez les instructions du fabricant pour entretenir la chaîne.** La diminution de la hauteur du limiteur de profondeur est susceptible d'augmenter le risque de rebond.

POUSSÉE ET TRACTION

Voir page 279.

La force de réaction s'exerce toujours dans la direction opposée au sens de rotation de la chaîne. Ainsi, l'opérateur doit être prêt à contrôler la tendance de la machine à tracter (mouvement vers l'avant) lors de la coupe avec le côté bas de la chaîne et à pousser (vers l'opérateur) lors de la coupe avec le côté supérieur.

TRONÇONNEUSE COINCÉE DANS LA COUPE

Arrêtez la tronçonneuse et sécurisez-la. Ne tentez pas de faire sortir de force la chaîne et le guide-chaîne de la coupe, vous risqueriez de provoquer le bris de la chaîne qui pourrait alors basculer en arrière et frapper l'opérateur. Cette situation arrive généralement lorsque le bois est mal soutenu et force la coupe à se resserrer sous la pression, entraînant le pincement de la chaîne et du guide-chaîne. Si le réglage du support ne parvient pas à dégager la chaîne et le guide-chaîne, ouvrez la coupe à l'aide de coins ou d'un levier. Ne tentez jamais de mettre la tronçonneuse en marche lorsque le guide-chaîne se trouve déjà dans une coupe ou dans un trait d'abattage.

INSTRUCTIONS CONCERNANT LES TECHNIQUES DE BASE ADÉQUATE POUR L'ABATTAGE, LE TRONÇONNAGE, ET L'ÉBRANCHAGE

Compréhension des forces présentes dans le bois

Une fois comprises les pressions directionnelles et les tensions présentes dans le bois, vous pouvez réduire les "pincement" ou au moins les prévoir en cours de coupe. Une tension dans le bois signifie que les fibres subissent une force de traction et que si vous coupez dans cette zone, le "trait de coupe" ou la coupe auront tendance à s'ouvrir

à mesure que la tronçonneuse progressera. Si une bûche est soutenue par un chevalet et que son extrémité pend sans être soutenue à son extrémité, une tension se crée alors sur son dessus due au poids de la partie qui dépasse et qui étire les fibres. De la même façon, le dessous de la bûche sera comprimé et les fibres seront comprimées. Si une coupe est effectuée dans cette zone, le trait de coupe aura tendance à se refermer en cours de coupe. La chaîne et le guide-chaîne s'en trouveront pincés.

Abattage d'un arbre

Voir page 277 - 278.

Lorsque des opérations de tronçonnage et d'abattage sont effectuées simultanément par deux personnes ou plus, les opérations d'abattage et de tronçonnage doivent être séparées par une distance égale à au moins deux fois la hauteur de l'arbre à abattre. Les arbres ne doivent pas être abattus d'une façon qui pourrait mettre quiconque en danger, atteindre toute conduite ou toute ligne électrique ou causer des dommages à la propriété d'autrui. En cas de contact avec toute conduite ou ligne électrique, prévenez immédiatement la compagnie d'exploitation.

Si le terrain est en pente, restez toujours en haut du terrain car l'arbre risque de rouler ou de glisser au bas de la pente une fois abattu.

Un chemin de repli doit être prévu et déblayé au besoin avant de commencer les coupes. Le chemin de repli doit s'étendre vers l'arrière et en diagonale par rapport à la ligne de chute prévue.

Avant de commencer l'abattage, prenez en compte l'inclinaison naturelle de l'arbre, la position des plus grosses branches ainsi que la direction du vent pour juger du chemin de chute de l'arbre.

Débarassez l'arbre de la terre, des pierres, des écorces détachées, des clous, des agrafes et des câbles.

Ne tentez pas d'abattre d'arbres pourris ou endommagés par le vent, le feu, la foudre, etc. Ceci est extrêmement dangereux et ne doit être effectué que par des chirurgiens arboricoles professionnels.

- Entaille d'abattage
Voir page 277 - 278.

Effectuez l'entaille sur 1/3 du diamètre de l'arbre, perpendiculairement à la direction de chute. Commencez par l'entaille horizontale inférieure. Vous aiderez ainsi à éviter de pincer soit la chaîne ou le guide-chaîne lors de la coupe de la deuxième entaille.

- Trait d'abattage
Voir Fig. 277 - 278.

Effectuez le trait d'abattage au moins 50 mm au dessus de l'entaille d'abattage horizontale. Gardez le trait d'abattage parallèle à l'entaille d'abattage horizontale. Effectuez le trait d'abattage de façon à laisser assez de bois pour que se forme une charnière. La charnière évite que l'arbre ne se vrille et chute dans la mauvaise direction. Ne coupez pas dans la charnière.

À mesure que la coupe se rapproche de la charnière, l'arbre doit commencer à tomber. S'il existe une possibilité que l'arbre ne chute pas dans la direction prévue ou qu'il bascule et coince la chaîne, arrêtez la coupe avant que le trait d'abattage ne soit terminé et utilisez des coins en bois, en plastique ou en aluminium

pour ouvrir la coupe et faire tomber l'arbre le long de la ligne de chute prévue.

lorsque l'arbre commence à tomber, retirez la tronçonneuse de la coupe, arrêtez le moteur, posez la tronçonneuse, puis empruntez le chemin de repli prévu. Prenez garde à la chute de branches hautes et assurez vos pas.

Coupe des racines de contrefort

Voir page 278.

Une racine de contrefort est une grosse racine partant du tronc de l'arbre jusqu'au sol. Coupez les grosses racines avant de procéder à l'abattage. Effectuez tout d'abord une entaille horizontale dans le contrefort, puis une entaille verticale. Dégagez la partie ainsi coupée de la zone de travail. Procédez à l'abattage après avoir retiré les racines de contrefort.

Coupe d'un tronçon

Voir page 279.

Le tronçonnage consiste à débiter une bûche en plusieurs tronçons. Il est important de vous assurer que votre appui au sol est ferme et que votre poids est bien réparti sur vos deux pieds. Lorsque cela est possible, la bûche doit être relevée et soutenue à l'aide de branches, de bûches ou de cales. Suivez les instructions de base pour une coupe facile. Lorsque la bûche est soutenue sur toute sa longueur, coupez-la par le dessus (tronçonnage par dessus).

Lorsque la bûche est soutenue par une extrémité, coupez 1/3 de son diamètre par le dessous (tronçonnage par dessous). Effectuez ensuite la coupe finale par le dessus en rejoignant la première coupe.

Lorsque la bûche est soutenue par ses deux extrémités, coupez 1/3 de son diamètre par le dessus (tronçonnage par dessus). Effectuez ensuite la coupe finale par le dessous aux 2/3 en rejoignant la première coupe.

Lorsque vous tronçonnez dans une pente, tenez-vous toujours en amont de la bûche. Lorsque vous atteignez la fin de la coupe, pour garder un contrôle total, relâchez la pression de coupe lorsque vous approchez de la fin de la coupe sans desserrer votre maintien des poignées de la tronçonneuse. Ne laissez pas la chaîne entrer en contact avec le sol. Une fois la coupe terminée, attendez l'arrêt complet de la chaîne avant de déplacer la tronçonneuse. Arrêtez toujours le moteur avant de passer d'un arbre à un autre.

Ébranchage d'un arbre

Voir page 280.

L'ébranchage consiste à retirer les branches d'un arbre abattu. Lorsque vous procédez à un ébranchage, laissez les plus grosses branches inférieures en place pour soulever le tronc du sol. Retirez les petites branches en une seule coupe. Les branches sous tension doivent être coupées du dessous vers le dessus afin d'éviter de coincer la tronçonneuse.

Coupe des fouets

Voir page 280.

Un fouet est une branche, souche déracinée ou un arbrisseau qui est fléchi par un autre morceau de bois, de telle sorte qu'il se détend brusquement lorsque l'on coupe

ou retire le morceau ce bois le retenant.

La souche déracinée d'un arbre abattu risque fortement de se détendre et de revenir en position verticale pendant la coupe pour la séparer du tronc. Attention aux fouets, ils sont dangereux. Ne tentez pas de couper des branches courbées ou des souches sous tension, à moins de n'avoir suivi un entraînement professionnel et d'en avoir les compétences.

TRANSPORT ET STOCKAGE

- Arrêtez le moteur, actionnez le frein de chaîne, débranchez l'antiparasite de la bougie et laissez refroidir le produit avant de le ranger ou de le transporter.
- Débarrassez l'appareil de tous les corps étrangers.
- Versez tout le carburant restant dans le réservoir dans un récipient homologué pour contenir de l'essence. Rappelez-vous de bien remettre en place et de bien resserrer le bouchon de mélange huile/essence.
- Faites tourner le moteur jusqu'à ce qu'il s'arrête. Cela permet d'éliminer tout le carburant, qui pourrait s'éventer et laisser un résidu gommeux dans le circuit.
- Versez toute l'huile pour guide et chaîne dans un récipient homologué pour contenir de l'huile. Rappelez-vous de bien remettre en place et de bien resserrer le bouchon d'huile de chaîne.
- Mettez le fourreau de protection du guide-chaîne en place avant de ranger l'appareil, ainsi qu'au cours de son transport.
- Rangez la en un endroit frais, sec et correctement ventilé, hors de portée des enfants. Ne la rangez pas à proximité d'agents corrosifs tels que produits chimiques de jardinage ou sels de dégel. Ne rangez pas à l'extérieur.
- Lorsque vous transportez le produit sur une courte distance (d'une zone de travail à une autre), appliquez toujours le frein de chaîne afin que celle-ci soit bloquée et ne puisse pas bouger.
- Lorsque vous transportez le produit, attachez-le pour l'empêcher de bouger ou de tomber, afin d'éviter toute blessure et tout dommage matériel.
- Ne portez jamais et ne transportez jamais l'appareil lorsqu'il est en fonctionnement.

Référez-vous aux réglementations nationales et locales en matière de stockage et de manipulation de carburant. Vous pouvez utiliser le carburant restant avec un autre outil équipé d'un moteur à deux temps.

ENTRETIEN

Gardez toujours le produit en bon état de fonctionnement.

⚠ AVERTISSEMENT

N'utilisez que des pièces détachées et accessoires d'origine constructeur. Le non respect de cette précaution peut entraîner de mauvaises performances, des blessures, et annuler votre garantie.

⚠ AVERTISSEMENT

Les réparations demandent un soin et des connaissances extrêmes et ne doivent être effectuées que par un réparateur qualifié. Pour l'entretien et les réparations, il vous faut retourner le produit à votre service après-vente agréé le plus proche. N'utilisez que des pièces détachées identiques pour effectuer les réparations.

⚠ AVERTISSEMENT

Avant toute opération de vérification, de nettoyage ou d'entretien sur le produit, arrêtez le moteur, actionnez le frein de chaîne, et débranchez l'antiparasite de la bougie. Le non respect de ces consignes peut entraîner de graves blessures ou d'importants dégâts matériels.

- Vous pouvez effectuer les réglages et réparations décrits dans ce manuel. Pour les autres réparations, contactez un service après-vente agréé.
- Les conséquences d'un mauvais entretien peuvent être la rupture de la chaîne et le mauvais fonctionnement des dispositifs de sécurité, ce qui augmente les risques de graves blessures. Gardez votre tronçonneuse entretenue professionnellement et sûre.
- L'affûtage de la chaîne en toute sécurité est une opération demandant un certain savoir-faire. Le fabricant vous recommande donc de remplacer toute chaîne usée ou émoussée par une neuve, disponible auprès de votre service après-vente agréé. Vous pourrez trouver la référence de la pièce dans le tableau des caractéristiques présent dans ce manuel.
- Respectez les instructions concernant la lubrification, la vérification de la tension de la chaîne et son réglage.
- Après chaque utilisation, utilisez un chiffon propre et sec pour nettoyer le produit.
- Vérifiez régulièrement le bon serrage des écrous, vis et boulons pour que le produit soit toujours en bon état de fonctionnement. Toute pièce endommagée doit être correctement remplacée ou réparée par un service après-vente agréé.

REPLACEMENT DU GUIDE-CHAÎNE ET DE LA CHAÎNE

Voir page 282 - 285.

1. Arrêtez le produit. Portez des gants de protection.
2. Nettoyez le frein de chaîne
3. Dévissez le bouton de verrouillage du guide-chaîne puis retirez le carter de pignon.
4. Retirez le guide-chaîne ainsi que la chaîne de l'appareil.
5. Nettoyez la partie qui se trouve sous le pignon.
6. Pour remplacer le guide-chaîne par un neuf, desserrez l'écrou de l'ensemble tensionneur de chaîne. Montez l'ensemble tensionneur de chaîne sur le nouveau guide-chaîne et serrez l'écrou.
7. Mettez en place le guide-chaîne et l'ensemble tensionneur de chaîne sur la tronçonneuse. Abaissez le guide-chaîne de façon que le boulon traverse le trou du guide et de l'ensemble tensionneur de chaîne.
8. La chaîne doit être orientée vers son sens de rotation. Si elles sont orientées dans le sens inverse, retournez

EN
FR
DE
ES
IT
NL
PT
DA
SV
FI
NO
RU
PL
CS
HU
RO
LV
LT
ET
HR
SL
SK
BG

- la boucle que vous avez formée.
- Placez la boucle autour du pignon d'entraînement. Placez les maillons d'entraînement dans le rail du guide. Au besoin, faites pivoter l'ensemble tensionneur de chaîne pour appliquer une certaine tension à la chaîne, ce qui aidera à la maintenir en place.
 - Remettez le carter de pignon en place.
 - Réglez la tension de la chaîne. Reportez-vous au chapitre " Réglage de la tension de la chaîne".

NETTOYAGE DU FILTRE À AIR

Voir page 290.

- Arrêtez le produit. Assurez-vous que le frein de chaîne est bien actionné.
- Desserrez le bouton de verrouillage du couvercle de filtre à air et retirez-le du produit.
- Retirez le filtre à air.
- Retirez la poussière et la terre du filtre à air à l'aide d'un pinceau. Au besoin, déboîtez le filtre à air à l'aide d'un tournevis plat et nettoyez-en l'intérieur.
- Remettez le couvercle de filtre à air en place et serrez le bouton de verrouillage.

NETTOYAGE DU PARE-ÉTINCELLES

Voir page 291.

⚠ AVERTISSEMENT

Le silencieux est très chaud pendant et après utilisation du produit. Pour éviter de graves blessures, gardez toutes les parties du corps éloignées du silencieux pendant et après utilisation.

- Arrêtez le produit. Assurez-vous que le frein de chaîne est bien actionné. Laissez le silencieux refroidir.
- Retirez la vis qui maintient le cache de silencieux sur l'arrêt à griffes, puis retirez les deux écrous du cache de silencieux.
- Retirez le couvercle de silencieux.
- Retirez le pare-étincelles. Nettoyez la grille du pare-étincelles à l'aide d'une petite brosse métallique.
- Remettez en place le couvercle de silencieux. Pour remettre en place le couvercle du silencieux, effectuez ces étapes en ordre inverse.

⚠ AVERTISSEMENT

L'arrêt à pointes est un dispositif de sécurité du produit. Verrouillez-le à l'aide de la vis adaptée une fois le couvercle de silencieux remis en place. Le non-respect de cette instruction peut entraîner de graves blessures voire la mort.

VÉRIFICATION ET NETTOYAGE DU FREIN DE CHAÎNE

Voir page 294.

- Gardez toujours le mécanisme de frein de chaîne propre en brossant légèrement l'accouplement pour en retirer la saleté.
- Testez toujours l'efficacité du frein de chaîne après l'avoir nettoyé.
- Reportez-vous à "Utilisation - Vérification et Utilisation

du Frein de Chaîne" plus haut dans ce manuel pour des informations supplémentaires.

RÉGLAGE DU CARBURATEUR ET DU RÉGIME MOTEUR

⚠ AVERTISSEMENT

Un mauvais réglage du carburateur est susceptible d'augmenter le risque de blessures, d'accidents mortels, ou d'endommager le produit. Pour le réglage du carburateur, apportez le produit à un service après-vente agréé.

PÉRIODICITÉ D'ENTRETIEN

Vérification quotidienne	
Mélange huile-essence	Avant chaque utilisation
Lubrification du guide	Avant chaque utilisation
Tension de la chaîne	Avant chaque utilisation et fréquemment
Mise en prise de la embrayage (chaîne immobile au ralenti)	Avant chaque utilisation
Affutage de la chaîne	Avant chaque utilisation, vérification visuelle
Pièces éventuellement endommagées	Avant chaque utilisation
Attaches mal serrées	Avant chaque utilisation
Pièces mal fixées	Avant chaque utilisation
Le bon fonctionnement du frein de chaîne	Avant chaque utilisation
L'absence de fuite d'essence	Avant chaque utilisation

VÉRIFICATION ET NETTOYAGE

Guide-chaîne	Avant chaque utilisation
Tronçonneuse dans son ensemble	Après chaque utilisation
Filtre à air	Toutes les 5 heures*
Frein de chaîne	Toutes les 5 heures*
Remplacement de la bougie	Annuellement
Remplacement du filtre à essence	Annuellement

*Heures de fonctionnement

RISQUES RÉSIDUELS

Même lorsque le produit est utilisé selon les prescriptions, il reste impossible d'éliminer totalement certains facteurs de risque résiduels. Les dangers suivants risquent de se présenter en cours d'utilisation et l'utilisateur doit prêter particulièrement garde à ce qui suit :

- Blessures dues aux vibrations. Utilisez toujours un outil adapté au travail à effectuer, servez-vous des poignées appropriées et limitez le temps de travail et d'exposition.
- L'exposition au bruit peut provoquer des pertes d'audition. Portez une protection auditive et limitez le temps d'exposition.
- Entrée en contact avec les dents de la chaîne de l'élagueur (risques de coupures).
- Mouvement brusque et imprévu ou rebond du guide-chaîne (risques de coupures).
- Projection d'éléments en provenance de la chaîne (risques de coupures/injections).
- Éléments projetés en provenance de l'élément coupé (copeaux, éclats).
- Inhalation de sciure ou particules de bois ou émissions en provenance du moteur thermique.
- Contact de la peau avec de l'essence / huile.

RÉDUCTION DES RISQUES

Il a été reporté que les vibrations engendrées par les outils à main peuvent contribuer à l'apparition d'un état appelé le Syndrome de Raynaud chez certaines personnes. Les symptômes peuvent comprendre des fourmillements, un engourdissement et un blanchiment des doigts, généralement par temps froid. Des facteurs héréditaires, l'exposition au froid et à l'humidité, le régime alimentaire, le tabagisme et les habitudes de travail peuvent contribuer au développement de ces symptômes. Certaines mesures peuvent être prises par l'utilisateur pour aider à réduire les effets des vibrations :

- Gardez votre corps au chaud par temps froid. Lorsque vous utilisez le produit, portez des gants afin de garder vos mains et vos poignets au chaud. Le temps froid est considéré comme un facteur contribuant très largement à l'apparition du Syndrome de Raynaud.
- Après chaque session de travail, pratiquez des exercices qui favorisent la circulation sanguine.
- Faites des pauses fréquentes. Limitez la quantité d'exposition journalière.
- Les gants de protection disponibles auprès des revendeurs professionnels de tronçonneuses sont spécialement destinés à l'utilisation avec une tronçonneuse, ils procurent une bonne protection et une bonne accroche. Des gants atténuent également les effets des vibrations de la poignée. Ces gants doivent être conformes à EN 381-7 et porter l'inscription CE.

Si vous ressentez l'un des symptômes associés à ce syndrome, arrêtez immédiatement le travail et consultez votre médecin pour lui en faire part.

⚠ AVERTISSEMENT

L'utilisation prolongée d'un outil est susceptible de provoquer ou d'aggraver des blessures. Assurez-vous de faire des pauses de façon régulière lorsque vous utilisez tout outil de façon prolongée.

APPRENEZ À CONNAÎTRE VOTRE PRODUIT

Voir page 271.

PIÈCES

1. Chaîne coupante
2. Guide-chaîne
3. Protège-main avant / frein de chaîne
4. Poignée avant
5. Couvercle de filtre à air
6. Poignée du lanceur
7. Poignée arrière
8. Patin d'ébranchage
9. Cache de silencieux
10. Bouchon du réservoir de carburant
11. Bouchon du réservoir d'huile
12. Contacteur d'allumage
13. Bouton de verrouillage de la gâchette
14. Gâchette d'accélérateur
15. Pompe d'amorçage
16. Levier de starter
17. Clé mixte
18. Carter de pignon
19. Attrape-chaîne
20. Bague de réglage de la tension de la chaîne
21. Bouton de verrouillage du guide-chaîne
22. Fourreau de guide-chaîne

ÉLÉMENTS DE SÉCURITÉ

CHAÎNE À FAIBLE TENDANCE AU REBOND

Une chaîne à faible rebond aide à réduire la possibilité qu'un rebond se produise.

Les limiteurs de profondeur situés à l'avant de chaque dent peuvent réduire la force de l'effet de rebond en évitant que les dents ne s'enfoncent trop profondément dans la zone de rebond. N'utilisez que les combinaisons de chaînes et guides-chaînes recommandés par le fabricant.

Redoublez de vigilance après avoir aiguisé la chaîne de votre tronçonneuse, car l'aiguisage rend la chaîne moins résistante au rebond. Pour votre sécurité, remplacez les chaînes des tronçonneuses lorsque leurs performances de coupe diminuent.

PATIN D'ÉBRANCHAGE

Tout le patin d'ébranchage peut être utilisé comme pivot lors d'une coupe. Cela aide à garder le corps de la tronçonneuse stable en cours de coupe. Lors de la coupe, poussez la machine vers l'avant jusqu'à ce que les pointes s'enfoncent dans le bord du bois, puis en déplaçant la poignée arrière vers le bas et vers le haut dans le sens du trait de coupe, facilitez la libération des efforts de coupe

GUIDE-CHAÎNE

Les guides-chaîne ayant un rayon plus faible à leur extrémité présentent généralement une plus faible

Français | 21

tendance au rebond. N'utilisez que les combinaisons de chaînes et guides-chaînes recommandés par le fabricant. L'utilisation de guides-chaînes non-recommandés augmente le risque de perte de contrôle en cours de coupe. Vérifiez régulièrement la tension de la chaîne. Lors de la coupe de branches courtes (plus courtes que le guide-chaîne) la chaîne a plus de chances de se faire éjecter si la tension n'est pas correcte.

FREIN DE CHAÎNE

Le frein de chaîne a été conçu pour permettre d'arrêter rapidement la chaîne de tourner. La chaîne doit s'arrêter immédiatement lorsque le levier du frein / protège-main est poussé vers l'avant. Un frein de chaîne n'empêche pas l'effet de rebond. Il ne fait que diminuer le risque de blessures en cas de contact du guide-chaîne avec le corps de l'opérateur en cas de rebond. Le frein de chaîne doit être testé avant chaque utilisation afin de vérifier son bon fonctionnement à la fois en position de fonctionnement et en position de frein.

ATTRAPE-CHAÎNE

Un attrape-chaîne évite que la chaîne soit projetée en arrière vers l'opérateur au cas où elle viendrait à se détendre ou à casser.

SYMBOLES APPLIQUÉS SUR LE PRODUIT



Avertissement



Lisez et comprenez toutes les instructions avant d'utiliser le produit, respectez tous les avertissements et toutes les instructions de sécurité.



Portez une protection oculaire et auditive ainsi qu'un casque



Portez des chaussures de sécurité antidérapantes lorsque vous utilisez le produit.



Portez des gants de protection solides et antidérapants.



Prenez garde au phénomène de rebond de la tronçonneuse et évitez le contact avec l'extrémité du guide-chaîne.



Tenez et utilisez votre tronçonneuse avec vos deux mains.



N'utilisez pas votre tronçonneuse en la tenant avec une seule main.



Cet outil est conforme à l'ensemble des normes réglementaires du pays de l'UE où il a été acheté.



Utilisez de l'essence sans plomb destinée aux automobiles avec un indice d'octane de 91 ((R+M)/2) ou plus.



Utilisez de l'huile 2-temps pour moteur refroidi par air.



Mélangez énergiquement le carburant, et faites-le avant chaque plein.



Ajoutez de l'huile de chaîne chaque fois que vous remplissez le réservoir d'essence du produit.



Mettez le frein de chaîne en position RUN (frein dégagé).



Mettez le frein de chaîne en position BRAKE (frein engagé).



Mettez le contacteur d'allumage en position ON (marche).



Pompez la pompe d'amorçage 10 fois .



Mettez le levier de starter en position "FULL".



Tirez la poignée du lanceur (pas plus de cinq fois) jusqu'à entendre le moteur démarrer.



Mettez le levier de starter en position "HALF".



Tirez sur la poignée du lanceur jusqu'à ce que le moteur démarre.



Appuyez sur le verrouillage de gâchette et sur la gâchette des gaz.



Marque de qualité EurAsian









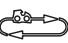


Le niveau de puissance sonore garanti est de 112 dB







Lubrifiant pour chaîne et guide-chaîne



Essence sans-plomb et huile 2-temps.




-  Position marche
-  Position mi-starter
-  Position "FULL"
-  Verrouillage
-  Déverrouillage
-  Tournez pour régler la tension de la chaîne
 + = Serrez la chaîne
 - = Tendre/détendre la chaîne
-  Sens de déplacement de la chaîne
 (Indiqué sous le carter de chaîne)
-  Mode normal
-  Mode antigel
- T Réglage du régime de ralenti
- H Aiguille de réglage Haut régime
- L Aiguille de réglage Bas Régime

SYMBOLES DE CE MANUEL

-  Mélangez le carburant à l'air libre, loin de toute étincelle ou flamme.
-  Ne fumez pas lorsque vous mélangez du carburant ou lorsque vous faites le plein.
-  Pièces détachées et accessoires vendus séparément
-  Les produits électriques hors d'usage ne doivent pas être jetés avec les ordures ménagères. Recyclez-les par l'intermédiaire des structures disponibles.

-  Remarque
-  Avertissement!
-  Portez une protection oculaire et faciale.
-  Portez une protection du haut du corps.
-  Portez une protection des jambes.
-  Arrêtez le produit.
-  Verrouillez le couvercle d'accès au filtre.
-  Déverrouillez le couvercle d'accès au filtre.

Les signaux et mots suivants sont destinés à indiquer le niveau de risque associé au produit :

-  **DANGER**
 Situation potentiellement dangereuse qui, si l'on n'y prend garde, peut entraîner la mort ou des blessures graves.
-  **AVERTISSEMENT**
 Situation potentiellement dangereuse qui, si l'on n'y prend garde, peut entraîner la mort ou des blessures graves.
-  **MISE EN GARDE**
 Situation potentiellement dangereuse qui, si l'on n'y prend garde, peut entraîner des blessures moyennes ou légères.
- MISE EN GARDE**
 Sans symbole d'alerte de sécurité
 Indique une situation pouvant entraîner des dommages matériels.

Sicherheit, Leistung und Zuverlässigkeit hatten oberste Priorität bei der Entwicklung Ihres Benzin-Kettensäge.

VORGESEHENE VERWENDUNG

Das Produkt ist ausschließlich zur Verwendung in einem gut belüfteten Bereich im Freien vorgesehen. Aus Sicherheitsgründen muss das Produkt bei der Benutzung mit beiden Händen immer ausreichend kontrolliert werden.

Das Produkt wurde zum Sägen von Ästen, Stämmen und Balken mit einem Durchmesser, der durch die Schnittlänge der Führungsschiene bestimmt wird, entwickelt. Sie darf ausschließlich zum Schneiden von Holz verwendet werden. Es darf nur von Erwachsenen, die ausreichend über die Gefahren und Vorbeugungs-/ Schutzmaßnahmen unterwiesen wurden, für den Hausgebrauch verwendet werden.

Verwenden Sie das Produkt nicht für andere, als die oben aufgeführten Zwecke. Es darf nicht im Rahmen professioneller Baumarbeiten eingesetzt werden. Das Produkt darf nicht von Kindern verwendet werden oder von Personen, die nicht die erforderliche persönliche Schutzausstattung und -kleidung tragen.

⚠️ WARNUNG

Die Sicherheitsregeln müssen befolgt werden, wenn dieses Produkt benutzt wird. Lesen Sie für Ihre eigene Sicherheit und die von Umstehenden diese Anweisungen, bevor Sie das Produkt benutzen. Die Anweisungen müssen vollständig verstanden werden. Sie sollten einen professionell organisierten Sicherheitskurs über die Verwendung, Präventionsmaßnahmen, Erste Hilfe und Wartung der Kettensäge besuchen. Bitte bewahren Sie die Anweisungen zum späteren Nachschlagen auf.

⚠️ WARNUNG

Kettensägen sind potenziell gefährliche Werkzeuge. Unfälle mit Kettensägen führen oft zum Verlust von Gliedmaßen oder zum Tode. Es ist nicht nur die Kettensäge, die gefährlich ist. Fallende Äste, umfallende Bäume, rollende Baumstämme können töten. Krankes oder verfaultes Holz stellt eine weitere Gefahr dar. Sie sollten Ihre Fähigkeiten die Aufgabe sicher zu bewältigen abschätzen. Wenn Sie irgendwelche Bedenken haben, überlassen Sie die Arbeit einem professionellen Baumpfleger.

ALLGEMEINE SICHERHEITSWARNUNGEN

- In einigen Regionen können Vorschriften die Benutzung dieses Produkts einschränken. Lassen Sie sich von Ihrer örtlichen Behörde beraten.
- Erlauben Sie niemals Kindern oder Personen, die mit diesen Anweisungen nicht vertraut sind, das Produkt zu benutzen. Die lokale Gesetzgebung regelt das Mindestalter des Benutzers.
- Stellen Sie sicher, dass alle Bedienelemente und Sicherheitsvorrichtungen ordnungsgemäß funktionieren. Benutzen Sie das Produkt nicht, wenn das "Aus" Schalter den Motor nicht stoppt.

- Starten Sie den Motor niemals in geschlossenen oder schlecht gelüfteten Räumen und lassen Sie ihn niemals darin laufen; das Einatmen von Abgasen kann tödlich sein.
- Räumen Sie den Arbeitsbereich vor jedem Einsatz auf, ein unordentlicher Arbeitsbereich führt zu Unfällen.
- Tragen Sie vollen Augen- und Gehörschutz, feste, robuste Handschuhe, Sicherheitsschuhe mit rutschfester Sohle sowie Kopfschutz, während Sie das Produkt benutzen. Benutzen Sie bei Staub eine Gesichtsmaske.
- Tragen Sie keine weite Kleidung, kurze Hosen oder Schmuck jeglicher Art.
- Binden Sie lange Haare zurück, so dass diese sich über Schulterhöhe befinden um zu verhindern, dass sie sich in sich bewegenden Teilen verfangen.
- Achten Sie auf geschleuderte oder fallende Objekte. Halten Sie unbeteiligte Personen (insbesondere Kinder und Tiere) mindestens 15m vom Arbeitsbereich fern.
- Benutzen Sie das Produkt niemals in explosionsfähiger oder brennbarer Atmosphäre.
- Halten Sie beide Griffe fest, während Sie das Produkt benutzen.
- Bleiben Sie wachsam, achten Sie auf das was Sie tun und verwenden Sie bei der Benutzung des Gerätes Ihren gesunden Menschenverstand. Arbeiten Sie mit diesem Produkt nicht, wenn Sie müde oder krank sind, oder unter dem Einfluss von Alkohol, Drogen oder Medikamenten stehen. Ein unkonzentrierter Moment während der Bedienung der Maschine kann zu schweren Verletzungen führen.
- Nicht bei schlechter Beleuchtung verwenden. Der Benutzer braucht einen ungehinderten Blick auf den Arbeitsbereich, um mögliche Gefahren zu erkennen.
- Das Tragen von Gehörschutz verringert Ihre Fähigkeit Warnungen zu hören (Warnungen oder Zurufe). Der Benutzer muss dem, was im Arbeitsbereich vor sich geht ganz besondere Beachtung schenken.
- Der Betrieb ähnlicher Werkzeuge in der Umgebung erhöht das Risiko von Gehörschäden und die Wahrscheinlichkeit, dass andere Personen Ihren Arbeitsbereich betreten.
- Halten Sie immer das Gleichgewicht. Nehmen Sie keine Abnormale Körperhaltung ein. Überstrecken kann zu einem Verlust des Gleichgewichts oder der Exponierung mit heißen Oberflächen führen und die Gefahr eines Rückschlags erhöhen.
- Halten Sie alle Körperteile von den sich bewegenden Teilen fern.
- Berühren Sie den Bereich um den Schalldämpfer und Motor des Gerätes nicht, diese Teile werden während des Betriebs heiß.
- Untersuchen Sie die Maschine vor der Benutzung. Überprüfen Sie für den ordnungsgemäßen Betrieb alle Bedienelemente, einschließlich der Kettenbremse. Überprüfen Sie ob alle Teile fest sitzen, ob alle Kraftstoff- und Ölleitungen dicht sind, stellen Sie sicher, dass alle Schutzabdeckungen und Griffe ordnungsgemäß und sicher befestigt sind. Ersetzen Sie vor der Benutzung irgendwelche beschädigten Teile.

- Verändern Sie die Maschine nicht auf irgendeine Weise oder verwenden Teile oder Zubehör die nicht vom Hersteller empfohlen sind.

⚠️ WARNUNG

Wenn das Produkt fallen gelassen wurde oder einen schweren Schlag erhielt oder ungewöhnlich vibriert, stoppen Sie das Produkt sofort und überprüfen es auf Schäden oder identifizieren Sie die Ursache der Vibration. Jeder Schaden muß durch den autorisierten Kundendienst ordnungsgemäß repariert oder ausgetauscht werden.

- Wählen Sie zum Betanken oder Mischen von Treibstoff einen Bereich der mindestens 10 m von Zündquellen (Funken, Flammen usw.), brennbaren Materialien ist und gut belüftet ist. Beim Tanken oder Umgang mit Treibstoff nicht Rauchen.
- Kraftstoff in einem für Benzin zugelassenen Behälter mischen und aufbewahren.
- Kraftstoff im Freien mischen. Es dürfen keine Funken oder Flammen zugegen sein. Verschütteten Kraftstoff sofort aufwischen. Entfernen Sie sich 10 m von dem Ort der Betankung, bevor Sie den Motor starten.
- Halten Sie den Motor an und lassen ihn abkühlen bevor Sie nachtanken oder das Gerät einlagern oder transportieren.
- Achten Sie darauf alle Tank-/Behälterdeckel nach dem Tanken oder Mischen richtig zu schließen.

KETTENSÄGE SICHERHEITSWARNUNGEN

- Setzen Sie immer die Abdeckung der Führungsschiene auf, wenn das Produkt nicht benutzt wird oder getragen oder transportiert wird. Dadurch wird die Gefahr von versehentlichem Kontakt mit den scharfen Messern der Kette verringert. Tragen Sie das Produkt ausgeschaltet und am oberen Griff, während die Führungsschiene von Ihrem Körper weg weist.
- Sie sollten sich mit Ihrer neuen Kettensäge vertraut machen, indem Sie einfache Schnitte in sicher abgestütztem Holz machen. Machen Sie dies immer dann, wenn Sie die Kettensäge längere Zeit nicht benutzt haben.
- Sägen Sie Stämme auf einem Holzbock oder einer Halterung, wenn Sie das Produkt zum ersten Mal benutzen.
- Stellen Sie sicher, dass alle Schutzabdeckungen, Griffe und Krallenanschlag ordnungsgemäß befestigt und in gutem Zustand sind.
- Personen, die das Produkt benutzen, sollten bei guter Gesundheit sein. Das Produkt ist ein schweres Gerät, deshalb sollte der Benutzer körperlich fit sein. Der Benutzer muß aufmerksam sein, gutes Sehvermögen, Beweglichkeit, Balance und Handfertigkeit besitzen. Wenn irgendwelche Zweifel bestehen, benutzen Sie das Produkt nicht.
- Stehen Sie nicht auf unsicherem Untergrund während Sie das Produkt benutzen. Wie zum Beispiel Leitern, Gerüste oder Bäume oder andere unsichere

Untergünde. Behalten Sie jederzeit beide Hände an den Griffen des Produktes.

- Fangen Sie nicht an das Produkt zu benutzen, bevor Sie über einen sauberen Arbeitsplatz, sicheren Stand und einen geplanten Rückzugsweg weg von dem fallenden Baum verfügen.
- Beim Sägen von dünnen Ästen und jungen Bäumen besonders vorsichtig sein, da dünnes Holz an der Säge hängen bleiben und in Richtung Bediener geschneit werden oder den Bediener aus dem Gleichgewicht bringen kann.
- Beim Schneiden eines unter Spannung stehenden Astes auf Zurückschnellen achten, damit man bei Entfernung des Widerstands nicht durch zurückschnellendes Holz getroffen wird.
- Hüten Sie sich vor Auspuffgasen, Öldämpfen und Sägespänen. Tragen Sie, wenn nötig, eine Maske oder Atemgerät.
- Sägen Sie keine Rebstöcke und/oder kurzes Buschwerk (weniger als 75 mm Durchmesser).
- Halten Sie die Kettensäge bei der Benutzung der Kettensäge immer mit beiden Händen fest wobei Daumen und Finger die Griffe der Kettensäge umschließen. Die rechte Hand muss an dem hinteren Griff sein und die linke Hand an dem vorderen Griff.
- Achten Sie vor dem Starten der Kettensäge darauf, dass keine Gegenstände die Sägekette berühren. Starten Sie das Produkt immer mit betätigter Kettenbremse (vollständig nach vorne gedrückt).
- Verändern Sie Ihr Produkt nicht auf irgendeine Weise, oder verwenden es, um Anbauteile oder Geräte die nicht vom Hersteller Ihres Produktes empfohlen sind anzutreiben.
- Ein Verbandskasten mit Verbandsmaterial für große Wunden und einem Mittel, um Hilfe zu rufen (z.B. Pfeife) sollten bei dem Benutzers sein. Ein größerer, umfangreicherer Verbandskasten sollte in der Nähe ein.
- Der Benutzer kann versucht sein den Helm abzunehmen, wenn an dem Arbeitsplatz keine Gefahr von fallenden Gegenständen besteht, aber vergessen Sie nicht, der Helm, besonders mit dem Gittervisier, kann die Gefahr von Verletzungen am Gesicht und Kopf verringern, wenn ein Rückschlag auftritt.
- Eine falsch gespannte Kette kann von der Führungsschiene springen und zu schweren Verletzungen oder Tod führen. Die Kettenlänge hängt von der Temperatur und Abnutzung der Kette ab. Überprüfen Sie die Kettenspannung regelmäßig.
- Halten Sie die Griffe trocken, sauber und frei von Öl und Schmierstoffen. Schmierige, verölte Griffe sind rutschig, was zu Kontrollverlust führt.
- Damit die Verletzungsgefahr durch sich bewegende Teile verringert wird, stoppen Sie immer den Motor, legen die Kettenbremse ein, entfernen den Zündkerzenstecker und stellen sicher, dass alle sich bewegende Teile gestoppt sind, bevor Sie
 - Das Produkt reinigen oder Blockierungen entfernen
 - Das Produkt unbeaufsichtigt lassen
 - Anbauteile montieren oder entfernen.

- die Maschine prüfen, warten oder an dem Produkt arbeiten
- Die Größe des Arbeitsbereichs hängt von der durchgeführten Aufgabe, der Größe des Baums oder des Arbeitsstücks ab. Zum Beispiel, fällen eines Baumes erfordert einen größeren Arbeitsplatz als andere Sägearbeiten wie Ablängen usw. Der Benutzer muss aufmerksam sein und alles in seinem Arbeitsbereich unter Kontrolle haben.
- Sägen Sie nicht mit Ihrem Körper in einer Linie mit Führungsschiene und Kette. Wenn Sie einen Rückschlag erleben, verringert dies die Wahrscheinlichkeit, dass die Kette Ihren Kopf oder Körper trifft.
- Wenden Sie keine Vorwärts-Rückwärts Sägebewegung an, lassen Sie die Kette die Arbeit machen. Halten Sie die Kette scharf und versuchen nicht die Kette durch den Schnitt zu drücken.
- Am Ende des Schnitts keinen Druck auf die Säge ausüben. Seien Sie bereit die Säge zu entlasten, wenn sie das Holz durchgesägt hat. Nichtbeachtung kann zu schweren Verletzungen führen.
- Stoppen Sie die Säge nicht während des Sägevorgangs. Lassen Sie die Säge laufen, bis sie den Sägeschnitt beendet hat.

Benutzen Sie eine persönliche Schutzausrüstung.

Persönliche Schutzausrüstung guter Qualität, wie sie von Profis benutzt wird, hilft die Gefahr von Verletzungen des Benutzers zu verringern. Die folgenden Artikel müssen beim Einsatz Ihrer Säge benutzt werden.

Sicherheitshelm

- sollte EN 397 erfüllen und CE gekennzeichnet sein.

Gehörschutz

- sollte EN 352-1 erfüllen und CE gekennzeichnet sein.

Augen- und Gesichtsschutz

- sollte CE gekennzeichnet sein und EN 166 erfüllen (für Sicherheitsbrillen) oder EN 1731 (für Gittervisiere)

Handschuhe

- sollte EN 381-7 erfüllen und CE gekennzeichnet sein.

Beinschutz (Beinschützer)

- sollten EN381-5 erfüllen, CE gekennzeichnet sein und Rundumschutz bieten.

Kettensäge Sicherheitsschuhe

- sollten EN ISO 20345:2004 erfüllen und mit der Abbildung einer Kettensäge gekennzeichnet sein, um darzustellen, dass EN 381-3 erfüllt wird. (Gelegentliche Benutzer können Sicherheitsschuhe mit Stahl-Vorderkappen und Schutzgamaschen die EN 381-9 erfüllen benutzen, wenn der Boden eben ist und geringe Gefahr von Stolpern oder von Verfangen im Buschwerk besteht)

Kettensägenjacken zum Schutz des Oberkörpers

- sollte EN 381-11 erfüllen und CE gekennzeichnet sein.

MONTAGE

⚠️ WARNUNG

Falls Teile fehlen oder beschädigt sind darf das Gerät nicht in Betrieb genommen werden bevor alles korrekt ersetzt wurde. Die Nichtbeachtung dieser Warnung kann zu schweren Personenschäden führen.

MONTAGE DER KETTE UND FÜHRUNGSSCHIENE

Siehe Seite 273, Abb. 5 - 8

1. Stoppen Sie das Produkt. Tragen Sie Schutzhandschuhe.
2. Lösen Sie die Kettenbremse
3. Lockern Sie den Verriegelungsknopf der Führungsschiene und entfernen die Kettenritzelabdeckung.
4. Befestigen Sie die Führungsschiene und die Kettenspannvorrichtung der Kettensäge. Senken Sie die Führungsschiene, so dass die Schraube durch das Loch in der angebrachten Kettenspannvorrichtung gesteckt werden kann.
5. Die Sägekette muß auf die Richtung der Kettenrotation ausgerichtet sein. Wenn sie rückwärts zeigt, die Schleife umdrehen.
6. Legen Sie eine Schlaufe um das Kettenritzel. Setzen Sie die Kettenglieder in die Schienennut. Wenn nötig, können Sie die Kettenspannvorrichtung drehen, um die Kette etwas mehr zu spannen, wodurch sie besser in Position bleibt.
7. Setzen Sie die Kettenritzelabdeckung wieder auf.
8. Stellen Sie die Kettenspannung ein. Lesen Sie den Abschnitt "Einstellen der Kettenspannung".

KETTENSPIGUNG EINSTELLEN

Siehe Seite 286.

1. Lösen Sie den Verriegelungsknopf der Führungsschiene ein wenig, indem Sie ihn gegen den Uhrzeigersinn drehen.
2. Drehen Sie den Ring zum Einstellen der Kettenspannung im Uhrzeigersinn, um die Kettenspannung zu erhöhen, und überprüfen Sie dabei regelmäßig die Kettenspannung. Drehen Sie den Ring zum Einstellen der Kettenspannung gegen den Uhrzeigersinn, um die Kettenspannung zu verringern, und prüfen Sie dabei regelmäßig die Kettenspannung.
3. Die Kettenspannung ist richtig eingestellt, wenn der Abstand zwischen den Zähnen der Kette und der Schiene 3 mm bis 4 mm beträgt. Ziehen Sie die Kette an der unteren Seite der Schiene in der Mitte nach unten (von der Schiene weg) und messen dann den Abstand zwischen der Schiene und den Zähnen der Kette.
4. Ziehen Sie den Verriegelungsknopf der Führungsschiene fest, indem Sie ihn im Uhrzeigersinn drehen.

HINWEIS: Die Temperatur der Kette erhöht sich beim normalen Betrieb und verursacht die Dehnung der Kette. Daher die Kettenspannung häufig prüfen und nach Bedarf spannen. Eine in warmem Zustand gespannte Kette kann in kaltem Zustand zu straff sein. Stellen Sie sicher,

dass die Kettenspannung wie in diesen Anweisungen vorgeschrieben eingestellt ist.

BEDIENEN DES PRODUKTES

KRAFTSTOFF UND AUFTANKEN

SICHERER UMGANG MIT KRAFTSTOFF

⚠ WARNUNG

Schalten Sie vor dem Befüllen immer den Motor aus. Nie Auftanken, wenn der Motor läuft oder heiß ist. Zum Anlassen des Motors immer mindestens 10 m Abstand vom Ort des Auftankens halten. Nicht rauchen! Wenn dieser Warnhinweis nicht befolgt wird, kann es zu schweren Verletzungen kommen.

⚠ WARNUNG

Auf Kraftstofflecks prüfen. Wenn irgendwelche gefunden werden, beheben Sie diese bevor Sie das Produkt benutzen, damit Feuer oder Verbrennungen verhindert werden.

- Handhaben Sie Treibstoff immer vorsichtig, er ist hoch entzündlich.
- Füllen Sie Kraftstoff immer im Freien und fern von möglichen Zündquellen nach, atmen Sie die Kraftstoffdämpfe nicht ein.
- Benzin oder Öl darf nicht mit der Haut in Kontakt kommen. Wenn eine Berührung erfolgte, sofort mit Seife und viel Wasser waschen.
- Benzin und Öl von den Augen fernhalten. Wenn Benzin oder Öl in die Augen gelangt, diese sofort mit sauberem Wasser waschen. Wenn die Reizung anhält, sofort einen Arzt aufsuchen.

KRAFTSTOFF MISCHEN

- Ihre Maschine wird mit einem Zweitaktmotor betrieben, der eine Mischung aus Benzin und synthetischem Zweitaktöl benötigt (Verhältnis 2 %). Unverbleites Benzin und Zweitaktmotoröl in einem sauberen Behälter mischen, der für Benzin genehmigt ist.
- Dieser Motor ist für den Betrieb mit unverbleitem Benzin mit einer Oktanzahl von 91 oder höher vorgesehen.
- Es darf kein vorgemischtes Benzin/Öl von Tankstellen verwendet werden. Dazu gehören auch Benzingemische für Mopeds, Motorräder usw.
- Es muss ein hochwertiges selbstmischendes Zweitaktmotoröl für luftgekühlte Motoren verwendet werden. Kein Kfz-Öl oder Öl für Zweitakt-Außenbordmotoren verwenden.
- 2% Öl in das Benzin mischen. Das ist ein Verhältnis von 50:1.
- Den Kraftstoff gründlich mischen. Auch vor dem Auftanken noch einmal gründlich mischen.
- In kleinen Mengen mischen. Höchstens einen Vorrat für 30 Tage mischen. Ein 2-Takt-Öl mit Kraftstoffstabilisator

wird empfohlen.

HINWEIS: Kraftstoffanlagenschäden oder Leistungsprobleme die aus der Anwendung sauerstoffangereicherte Kraftstoffe mit Prozenten die höher sind als die obengenannten folgen, sind nicht von der Garantie abgedeckt.

Befüllen des Treibstofftanks

Siehe Seite 273.

- Die Flächen um den Kraftstofftank-Deckel reinigen, um Verunreinigungen zu vermeiden.
- Lösen Sie langsam den Tankdeckel.
- Das Benzingemisch vorsichtig in den Tank gießen. Verschütten vermeiden.
- Vor dem Aufsetzen des Deckels die Deckeldichtung reinigen und prüfen.
- Den Deckel sofort aufsetzen und von Hand festziehen. Verschütteten Kraftstoff sofort aufwischen.

HINWEIS: Nach dem ersten Gebrauch des Motors tritt immer etwas Rauch aus; das ist normal.

FÜGEN SIE KETTENÖL HINZU.

Siehe Seite 273.

⚠ WARNUNG

Arbeiten Sie niemals ohne Kettenschmierung. Wenn die Säge ohne Schmierung läuft, können die Führungsschiene und die Sägekette beschädigt werden. Es ist deshalb unerlässlich den Ölstand regelmäßig zu prüfen, und immer bevor Sie mit der Arbeit mit der Kettensäge beginnen.

1. Reinigen Sie die Oberfläche um den Tankdeckel um Verunreinigung zu verhindern.
2. Schrauben Sie den Deckel auf und nehmen Sie ihn vom Öltank.
3. Füllen Sie das Öl in den Öltank und beobachten sie dabei den Ölstand. Achten Sie darauf, dass kein Schmutz in den Öltank gerät während sie das Öl einfüllen.
4. Setzen Sie den Deckel wieder auf und drehen Sie ihn fest. Wischen Sie verschüttetes Öl ab.
5. Ein gefüllter Öltank ermöglicht Ihnen die Verwendung der Säge für 20 - 40min.

HINWEIS: Ein richtig funktionierendes Ketten- und Schienen-Schmiersystem wird normalerweise bei der Benutzung Öl auf die Kette abgeben. Überprüfen Sie die Funktion des Ketten- und Schienen-Schmiersystems, indem Sie die Kettenspitze vor einen hellen Hintergrund, wie eine Zeitung, halten. Deutliche Ölspritzer sollten nach einer kurzen Zeit sichtbar sein.

Empfohlenes Kettenschmieröl

- Der Hersteller empfiehlt, dass Sie nur Ryobi Kettenschmieröl verwenden. (Erhältlich von Ihrem autorisiertem Kundendienst)

STARTEN DES PRODUKTES

Die Startmethode unterscheidet sich, abhängig davon ob der Motor kalt oder warm ist.

⚠️ WARNUNG

Den Körper links von der Schnittlinie halten. Niemals die Säge oder Kette zwischen die Beine führen oder über die Schnittlinie hinaus lehnen.

- Legen Sie das Produkt auf ebenen Untergrund und stellen sicher, dass keine Gegenstände oder Hindernisse, die in Berührung mit der Führungsschiene und Kette kommen könnten, in der Nähe sind.
- Den vorderen Handgriff fest mit der linken Hand halten und den rechten Fuß auf den Sockel des hinteren Griffs setzen.

HINWEIS: In der folgenden Startanleitung ist der Gashebel startbereit, wenn der Chokehebel ganz auf die START Position herausgezogen ist. Zum Zurückstellen des Gashebels auf die Betriebsposition, drücken Sie den Gashebel und lassen ihn wieder los.

Einen kalten Motor starten:

Siehe Seiten 272 - 273.

1. Zündungsschalter auf ON (EIN) Position schalten.
2. Stellen Sie sicher, dass die Kettenbremse in der Bremsposition ist indem Sie den Handschutz/ Kettenbremse nach vorne drücken.
3. Den EINSPRITZKNOPF 10 Mal ganz eindrücken und loslassen.
4. Ziehen Sie den Choke-Hebel ganz auf die START Position.
5. Wenn die Temperatur über 10°C liegt, ziehen den Anlasser bis der Motor versucht anzuspringen aber nicht mehr als 3 Mal. Wenn die Temperatur unter 10°C liegt, ziehen sie den Anlasser bis der Motor versucht anzuspringen aber nicht mehr als 5 Mal.
6. Drücken Sie den Choke Hebel auf die "halb" Position. Den Startergriff ziehen bis der Motor anspringt.
7. Drücken Sie die Gashebelsperre und drücken den Gashebel, lassen Sie dann den Gashebel los, damit der Motor im Leerlauf läuft.
8. Lassen Sie das Produkt für 15 - 30 Sekunden im Leerlauf laufen.
9. Bevor Sie die Motordrehzahl erhöhen oder Holz sägen, stellen sie sicher, dass die Kettenbremse sich in der Betriebsposition befindet, indem Sie den Bremshebel/ Handschutz nach hinten ziehen.

⚠️ VORSICHT

Wenn Gas gegeben wird und der Kettenbremshebel in der Bremsstellung ist, wird das Werkzeug schwer beschädigt. Nie den Gashebel drücken und gedrückt halten, während die Kettenbremse in der Bremsstellung ist.

Einen warmen Motor anlassen:

Siehe Seite 281.

1. Zündungsschalter auf ON (EIN) Position schalten.
2. Stellen Sie sicher, dass die Kettenbremse sich in der Bremsposition befindet, indem Sie den Handschutz/ Kettenbremse nach vorne drücken.
3. Drücken Sie die Einspritzpumpe 10 Mal.

4. Ziehen Sie den Choke Hebel ganz heraus auf die "START" Position und drücken ihn dann zurück in die Betriebsposition.
5. Ziehen Sie den Startergriff, bis der Motor läuft, aber nicht öfter als 5 Mal. Drücken Sie die Gashebelsperre und drücken den Gashebel, lassen Sie dann den Gashebel los, damit der Motor im Leerlauf läuft. Wenn der Motor nach 5 Zügen nicht läuft, benutzen Sie das Verfahren zum Starten eines kalten Motors.
6. Bevor Sie die Motordrehzahl erhöhen oder Holz sägen, stellen sie sicher, dass die Kettenbremse sich in der Betriebsposition befindet, indem Sie den Bremshebel/ Handschutz nach hinten ziehen.

UMSCHALTEN ZWISCHEN BETRIEBSMODI

Siehe Seite 287.

Das Produkt verfügt über einen Gefrierschutzmodus, der verhindert dass Eis bei Betrieb in Temperaturen unter ≤ 5 °C in dem Vergaser entsteht.

Eine Belüftungsluke auf der rechten Seite der Luftfilterabdeckung kann umgestellt werden, um warme Luft zu dem Motor zu führen und zu verhindern, dass Eis in dem Vergaser entsteht.

⚠️ WARNUNG

Wenn bei Temperaturen ≤ 5 °C nicht von Normalmodus zum Gefrierschutzmodus umgestellt wird, ist die Motorleistung reduziert oder der Motor kann versagen.

Achten Sie immer darauf, dass das Produkt in den Normalmodus umgestellt ist, wenn keine Gefahr von Eisbildung in dem Vergaser besteht. Wenn bei normalen Temperaturen nicht von dem Gefrierschutzmodus in den Normalmodus gestellt wird, kann das zu Motorversagen führen.

MOTOR ABSTELLEN

Den Gasdrücker loslassen und den Motor auf Leerlaufdrehzahl zurücknehmen. Zum Abstellen des Motors den Zündschalter in die "O" Stopstellung bringen. Die Kettensäge nicht am Boden ablegen, solange sich die Kette noch dreht. Zwecks weiterer Sicherheit die Kettenbremse aktivieren, wenn die Säge nicht verwendet wird.

Sollte die Säge nicht mit dem Zündschalter abgeschaltet werden können, den Choke-Hebel ganz herausziehen (Drosselklappe ganz offen) und die Kettenbremse betätigen, um den Motor abzustellen. Wenn der Zündschalter die Säge nicht abstellt, wenn er in die "O" Stopstellung gebracht wird, muss der Zündschalter repariert werden, bevor die Kettensäge wieder verwendet werden darf, um unsichere Bedingungen oder schwere Verletzungen zu vermeiden.

HINWEIS: Wenn Sie die Benutzung des Produktes beendet haben, lassen Sie immer Druck aus den Tanks ab, indem Sie die Deckel für Kettenschmieröl und Kraftstoff lösen und wieder schließen. Warten, bis der Motor abgekühlt ist, bevor die Säge zur Aufbewahrung gebracht wird.

HALTEN DES PRODUKTES

Siehe Seite 273.

Halten Sie das Gerät immer mit der rechten Hand am hinteren Griff und mit der linken Hand am vorderen Griff. Halten Sie beide Griffe fest wobei Daumen und Finger die Griffe der Kettensäge umschließen. Achten Sie darauf, dass ihre linke Hand den vorderen Griff so hält, dass ihr Daumen sich unter ihm befindet.

ÜBERPRÜFUNG UND BETRIEB DER KETTENBREMSE

1. Betätigen Sie die Kettenbremse, indem Sie die linke Hand um den vorderen Griff drehen. Drücken Sie den Kettenbremshebel/Handschutz mit Ihrem Handrücken in Richtung Führungsschiene während die Kette sich schnell bewegt. Stellen Sie sicher, dass sich beide Hände immer an den Griffen des Produktes befinden.
2. Stellen Sie die Kettenbremse zurück auf die Betriebsposition, indem Sie die Oberseite des Hebels der Kettenbremse/Handschutzes greifen und in Richtung Griff ziehen bis Sie ein Klickgeräusch hören..

⚠️ WARNUNG

Falls die Kettenbremse die Kette nicht sofort anhält, oder falls die Kettenbremse nicht in der Laufstellung ohne Hilfe bleibt, bringen Sie die Säge zu einer zugelassene Reparaturstelle und erst nach der Reparatur wieder benutzen.

⚠️ WARNUNG

Wenn der Gashebel losgelassen ist und der Motor im Leerlauf läuft, darf sich die Sägekette nicht bewegen. Wenn sie sich doch weiter bewegt, besteht die Gefahr schwerer Verletzungen für den Benutzer. Benutzen Sie das Produkt nicht, geben Sie es einem autorisierten Kundendienst zur professionellen Einstellung zurück.

ÜBERPRÜFUNG DER KUPPLUNG

1. Lösen Sie die Kettenbremse, indem Sie den Kettenbremshebel/Handschutz in Richtung Griff ziehen, bis Sie ein Klickgeräusch hören.
2. Lassen Sie den Motor im Leerlauf laufen. Stellen Sie sicher, dass die Sägekette nicht rotiert. Wenn sich die Sägekette im Leerlauf bewegt kann die Kupplung beschädigt sein. Benutzen Sie die Maschine nicht. Geben Sie sie an einen autorisierten Kundendienst zur professionellen Einstellung zurück.
3. Drücken Sie den Gashebel halb durch und lassen das Produkt bei halber Geschwindigkeit laufen. Die Sägekette sollte sich gleichmäßig bewegen, wenn die Kupplung in gutem Zustand ist.

Gründe für einen Rückschlag und wie man einen Rückschlag vermeidet:

Wenn die Spitze der Führungsschiene einen Gegenstand berührt oder wenn sich die Kette beim Sägen im Schnittspalt verklemmt und blockiert, kann ein Rückschlag auftreten. Ein Kontakt mit der Spitze kann in manchen Fällen zu einer plötzlichen, entgegengesetzten Reaktion führen, wobei die Führungsschiene hoch und zurück gegen den Benutzer geschlagen wird.

Wenn die Sägekette an der Oberseite der Führungsschiene eingeklemmt wird, kann sich die Führungsschiene sehr

schnell zurück, in Richtung des Benutzers bewegen.

Beide Vorkommnisse können dazu führen, dass Sie die Kontrolle über die Maschine verlieren, was wiederum zu schweren Verletzungen führen kann. Sich nicht nur auf die Sicherheitsvorrichtungen der Säge verlassen. Ein Benutzer der Kettensäge muss einige Vorkehrungen treffen, um Sägearbeiten ohne Unfälle oder Verletzungen durchführen zu können.

Ein Rückschlag ist die Folge einer falschen Verwendung des Werkzeugs und/oder einer falschen Arbeitsweise bzw. falschen Arbeitsbedingungen und kann durch Ergreifen der folgenden Vorsichtsmaßnahmen vermieden werden:

- **Achten Sie jederzeit auf einen festen Griff bei dem Daumen und Finger die Griffe der Kettensäge umfassen und halten sie beide Hände an der Säge. Halten Sie Körper und Arm so, dass es ihnen möglich ist, den Kräften eines Rückschlags zu widerstehen.** Die Kräfte eines Rückschlags können durch den Benutzer unter Kontrolle gehalten werden, wenn die richtigen Vorsichtsmaßnahmen ergriffen werden. Lassen Sie die Kettensäge nicht los.
- **Nehmen Sie keine abnormale Körperhaltung ein und sägen Sie nicht höher als auf Schulterhöhe.** Das hilft, unbeabsichtigten Kontakt mit der Spitze zu vermeiden und ermöglicht eine bessere Kontrolle der Kettensäge in unerwarteten Situationen.
- **Verwenden Sie ausschließlich die durch den Hersteller vorgeschriebenen Ersatzschienen und -ketten.** Falsche Ersatzschienen und -ketten können Kettenbruch und/oder Rückschlag verursachen.
- **Befolgen Sie die Anweisungen des Herstellers zur Pflege der Sägekette.** Eine Verringerung der Höhe der Tienenbegrenzer kann zu verstärktem Rückschlag führen.

DRÜCKEN UND ZIEHEN

Siehe Seite 279.

Die Reaktionskraft wirkt immer in die entgegengesetzte Richtung der Kettenaufrichtung. Deshalb muss der Benutzer bereit sein der Tendenz der Maschine wegzuziehen (in einer Vorwärtsbewegung), wenn mit der Unterseite der Schiene gesägt wird, und rückwärts zu drücken (in Richtung Benutzer) wenn mit der Oberseite gesägt wird.

SÄGE IN DEM SÄGESPALT VERKLEMMT

Stoppen Sie die Kettensäge und sichern Sie diese. Versuchen Sie nicht die Kette und Führungsschiene mit Gewalt aus dem Sägespalt zu entfernen, dadurch kann die Kette brechen und zurückschnellen, und den Benutzer verletzen. Diese Situation entsteht meistens weil das Holz falsch abgestützt wird und der Sägespalt zugeedrückt wird und die Schiene einklemmt. Wenn die Verstellung der Stütze die Schiene und Kette nicht löst, benutzen Sie Holzkeile oder einen Hebel, um den Schnitt zu öffnen und das Produkt zu lösen. Versuche Sie niemals die Kettensäge zu starten, wenn die Führungsschiene bereits in einem Schnitt oder einer Kerbe ist.

ANWEISUNGEN ÜBER DIE RICHTIGE TECHNIK ZUM FÄLLEN, ENTASTEN UND QUERSÄGEN.

Verstehen Sie die Kräfte in dem Holz

Wenn Sie die gerichteten Drücke und Spannungen in dem Holz verstehen, können Sie die "Klemmungen" verringern oder mindestens beim Sägen darauf vorbereitet sein. Spannung im Holz bedeutet, dass die Fasern auseinander gezogen werden, und wenn Sie in diesem Bereich sägen, wird die "kerbe" oder der Schnitt sich öffnen während Sie sägen. Wenn ein Baumstamm auf einem Holzbock liegt und ein Ende nicht gestützt wird, dann entsteht Spannung an der Oberseite, weil das Gewicht des überhängenden Baumstamms die Fasern dehnt. Ähnlich wird die Unterseite des Baumstamms gestaucht und die Fasern zusammengedrückt. Wenn ein Schnitt in diesem Bereich gemacht wird, wird die Kerbe dazu tendieren sich beim Sägen zu schließen. Das würde die Schiene einklemmen.

Fällen eines Baumes

Siehe Seiten 277 - 278.

Wenn Abläng- und Fällvorgänge gleichzeitig von zwei oder mehr Personen durchgeführt werden, muß der Fällvorgang durch einen Abstand von mindestens der doppelten Höhe des zu fallenden Baums von dem Ablängvorgang getrennt werden. Bäume dürfen nicht auf eine Weise gefällt werden, die eine Gefahr für Personen darstellt, zu einer Berührung mit einer Versorgungsleitung führt oder Sachschaden verursacht. Falls der Baum in Kontakt mit einer Versorgungsleitung geraten sollte, muss unverzüglich das Versorgungsunternehmen verständigt werden.

Der Bediener der Kettensäge sollte sich immer bergaufwärts des Baums befinden, da dieser nach dem Fällen wahrscheinlich bergabwärts rollen oder rutschen wird.

Es sollte eine Fluchroute eingeplant und, sofern erforderlich, vor Beginn der Fällarbeiten freigeräumt werden. Die Fluchroute sollte hinter der erwarteten Falllinie diagonal nach hinten führen.

Berücksichtigen Sie, bevor Sie mit dem Fällen beginnen, die natürliche Neigung des Baums, die Lage größerer Äste und die Windrichtung, um einschätzen zu können in welche Richtung der Baum fallen wird.

Entfernen sie Schmutz, Steine, lose Rinde, Nägel, Klammern und Draht vom bzw. aus dem Baum.

Versuchen Sie nicht Bäume zu fällen, die verfault sind oder durch Wind, Feuer, Blitz usw. beschädigt wurden. Das ist extrem gefährlich und sollte von professionellen Baupflegerern durchgeführt werden.

■ Kerbschnitt setzen

Siehe Seiten 277 - 278.

Sägen Sie im rechten Winkel zur Fallrichtung eine Kerbe mit einer Tiefe von 1/3 des Baumdurchmessers. Zuerst den unteren waagrechten Kerbschnitt durchführen. Dadurch wird das Einklemmen der Sägekette oder der Führungsschiene beim Setzen des zweiten Kerbschnitts vermieden.

■ Fällschnitt

Siehe Seiten 277 - 278.

Führen Sie den Fällschnitt mindestens 50 mm höher als den waagerechten Kerbschnitts aus. Führen Sie

den Fällschnitt parallel zum waagerechten Kerbschnitt aus. Führen Sie den Fällschnitt so aus, dass genügend Holz stehen bleibt, um als Bruchleiste zu dienen. Die Bruchleiste hindert den Baum daran, sich zu verdrehen und in die falsche Richtung zu fallen. Schneiden sie nicht durch die Bruchleiste!

Wenn der Fällschnitt sich der Bruchleiste nähert, sollte der Baum zu fallen beginnen. Sollte die Gefahr bestehen, dass der Baum nicht in die gewünschte Richtung fällt, oder zurückschwankt und die Sägekette einklemmt, hören Sie mit dem Schneiden auf, bevor der Fällschnitt vollständig ausgeführt ist, und verwenden Sie Holz-, Plastik- oder Aluminiumkeile, um den Schnitt zu erweitern und den Baum in der gewünschten Fallrichtung fallen zu lassen.

Ziehen Sie, sobald der Baum zu fallen beginnt, die Kettensäge aus dem Schnitt, schalten Sie den Motor aus, setzen sie die Kettensäge ab und folgen Sie dann dem geplanten Rückzugspfad. Achten Sie auf herunterfallende Äste und nicht stolpern.

WURZELANSÄTZE ENTFERNEN

Siehe Seite 278.

Ein Wurzelansatz ist eine große Wurzel, die über dem Erdreich aus dem Stamm des Baums vorsteht. Große Wurzelansätze müssen vor dem Fällen entfernt werden. Den Wurzelansatz erst horizontal und danach vertikal anschneiden. Das lose Wurzelstück aus dem Arbeitsbereich entfernen. Das korrekte Vorgehen zum Fällen des Baums einhalten, nachdem die großen Wurzelansätze entfernt wurden.

Einen Baumstamm ablängen

Siehe Seite 279.

Ablängen ist das Schneiden eines Baumstamms in Stücke. Es ist wichtig, dass Sie einen festen Stand haben und ihr Gewicht gleichmäßig auf beide Füße verteilt ist. Sofern möglich, sollte der Stamm erhöht liegen und durch Äste, Stämme oder Holzkeile gestützt werden. Befolgen Sie die folgenden Anweisungen, um sich das Schneiden zu erleichtern: Wenn der Stamm über die gesamte Länge gestützt wird, wird er von oben geschnitten (Oberschnitt).

Wenn der Stamm an einem Ende gestützt wird, schneiden Sie durch ein Drittel des Durchmessers von der Unterseite (Unterschnitt). Führen Sie dann den abschließenden Schnitt als Oberschnitt aus, der auf den ersten Schnitt trifft.

Wenn der Stamm an beiden Enden gestützt wird, schneiden Sie durch ein Drittel des Durchmessers von der Oberseite (Oberschnitt). Führen Sie dann den abschließenden Schnitt als Unterschnitt über die unteren 2/3 aus, der auf den ersten Schnitt trifft.

Stehen Sie beim Ablängen in Hanglage immer auf der vom Stamm aus höher gelegenen Seite. Um beim Abschluss des Schnitts vollkommen die Kontrolle zu behalten, verringern Sie den Schnittdruck gegen Ende des Schnitts ohne Ihren festen Griff um die Griffe der Kettensäge zu lösen. Lassen Sie die Kette nicht in Kontakt mit dem Boden geraten. Warten sie nach Beendigung des Schnitts bis die Sägekette angehalten hat bevor sie die Kettensäge bewegen. Schalten Sie immer den Motor aus, bevor Sie sich von Baum zu Baum bewegen.

Entasten eines Baumes

Siehe Seite 280.

Entasten ist das Entfernen von Ästen von einem gefällten Baum. Belassen Sie beim Entasten größere unten liegende Äste als Stützen, um den Baum über dem Boden zu halten. Entfernen Sie kleinere Äste in einem Schnitt. Äste, die unter Spannung stehen, sollten von unten nach oben geschnitten werden, um ein Einklemmen der Kettensäge zu vermeiden.

GESPANNTES HOLZ SCHNEIDEN

Siehe Seite 280.

Gespanntes Holz ist ein Stamm, Ast, verwurzelter Stumpf oder Schößling, der von anderem Holz unter Spannung gebogen wird und zurückschnellt, wenn das andere Holz geschnitten oder entfernt wird.

Bei einem gefällten Baum ist es sehr wahrscheinlich, dass ein verwurzelter Stumpf wieder in seine aufrechte Stellung zurückschnellt, wenn der Stamm beim Ablängen vom Stumpf getrennt wird. Auf gespanntes Holz achten, da dies sehr gefährlich ist. Versuchen Sie nicht gebogene Äste oder Stümpfe die unter Spannung stehen zu sägen, außer Sie sind professionell ausgebildet und fähig das zu machen.

TRANSPORT UND LAGERUNG

- Stoppen Sie den Motor, legen Sie die Kettenbremse ein, trennen Sie das Zündkerzenkabel von der Zündkerze und lassen das Produkt abkühlen, bevor Sie es einlagern oder transportieren.
- Entfernen Sie alle Fremdkörper vom Produkt.
- Den gesamten Kraftstoff aus dem Tank in einen für Benzin genehmigten Behälter ablassen. Achten Sie darauf den Deckel für die Kraftstoffmischung richtig aufzusetzen und zu schließen.
- Den Motor laufen lassen, bis er abstirbt. Das entfernt das gesamte Kraftstoff-/Ölgemisch, das alt werden könnte und Ablagerungen und ein Verharzen des Kraftstoffsystems verursachen könnte.
- Das gesamte Schienen- und Kettenöl aus dem Tank in einen für Öl vorgesehenen Behälter ablassen. Achten Sie darauf den Deckel für Kettenschmieröl richtig aufzusetzen und zu schließen.
- Setzen Sie immer die Abdeckung der Führungsschiene auf, bevor Sie das Produkt einlagern oder während des Transports.
- Lagern Sie das Gerät an einem trockenen und gut belüfteten Ort, der Kindern keinen Zugang bietet. Die Säge von korrodierend wirkenden Stoffen, wie Gartenchemikalien und Enteisierungssalzen, fernhalten. Nicht im Freien lagern.
- Wenn Sie das Produkt über kurze Entfernungen tragen (von einem Arbeitsbereich zum nächsten), legen Sie immer die Kettenbremse ein, so dass die Bewegung der Sägekette gesperrt ist.
- Sichern Sie das Produkt beim Transport gegen Bewegung oder fallen, um Verletzungen oder Beschädigung des Produktes zu verhindern.
- Tragen oder transportieren Sie das Produkt niemals

während es läuft.

Alle Gesetze und örtlichen Vorschriften für die sichere Aufbewahrung und den Umgang mit Benzin einhalten. Übrig gebliebener Kraftstoff sollte in anderen Werkzeugen mit Zweitaktmotoren verbraucht werden.

WARTUNG UND PFLEGE

Halten Sie das Produkt immer in gutem Zustand.

⚠️ WARNUNG

Verwenden Sie ausschließlich original Ersatzteile, Zubehör und Aufsätze des Herstellers. Nichtbefolgung kann mögliche Verletzungen oder schlechte Leistung verursachen und Ihre Garantie ungültig machen.

⚠️ WARNUNG

Service und Wartung des Gerätes erfordert besondere Sorgfalt und Kenntnisstand und darf nur durch qualifiziertes Personal durchgeführt werden. Für Wartung und Reparaturen müssen Sie das Produkt zu Ihrem nächsten autorisierten Kundendienst bringen. Beim Service dürfen Sie nur originale Ersatzteile benutzen.

⚠️ WARNUNG

Bevor Sie das Produkt überprüfen, reinigen oder warten, stoppen Sie den Motor, legen die Kettenbremse ein, trennen das Zündkerzenkabel von der Zündkerze. Bei Nichteinhaltung dieser Hinweise besteht die Gefahr schwerer Verletzungen oder Materialschäden.

- Sie dürfen die in dieser Bedienungsanleitung beschriebenen Einstellungen und Reparaturen durchführen. Kontaktieren Sie Ihren autorisierten Kundendienst für andere Reparaturen.
- Durch falsche Wartung können die Kettenbremse und andere Sicherheitsfunktionen nicht ordnungsgemäß funktionieren, und dadurch die Gefahr schwerer Verletzungen erhöhen. Halten Sie Ihre Kettensäge immer professionell gewartet und sicher.
- Das Schärfen der Kette ist eine anspruchsvolle Aufgabe. Deshalb empfiehlt der Hersteller, dass eine abgenutzte oder stumpfe Kette mit einer neuen ersetzt wird, erhältlich bei Ihrem Kundendienst. Die Teilenummer ist in der Tabelle der Produktspezifikation in dieser Bedienungsanleitung aufgeführt.
- Befolgen Sie die Anweisungen zur Schmierung der Kette und Kettenspannung und -einstellung.
- Reinigen Sie das Produkt nach jeder Benutzung mit einem weichen, trockenen Lappen.
- Überprüfen Sie Bolzen, Muttern und Schrauben immer wieder ob alles fest angezogen ist so dass das Produkt in einem sicheren Zustand ist. Jedes beschädigte Teil muß durch den autorisierten Kundendienst ordnungsgemäß repariert oder ausgetauscht werden.

ERSETZEN DER FÜHRUNGSSCHIENE UND DER SÄGEKETTE

Siehe Seiten 282 - 285.

1. Stoppen des Produktes. Tragen Sie Schutzhandschuhe.
2. Lösen Sie die Kettenbremse
3. Lockern Sie den Verriegelungsknopf der Führungsschiene und entfernen die Kettenritzelabdeckung.
4. Entfernen Sie Schiene und Sägekette von dem Werkzeug.
5. Reinigen Sie die Unterseite des Kettenritzels.
6. Um die Führungsschiene mit einer neuen zu ersetzen, lockern Sie die Mutter der Kettenspannvorrichtung. Montieren Sie die Kettenspannvorrichtung an die neue Führungsschiene und ziehen die Schrauben fest.
7. Befestigen Sie die Führungsschiene und die Kettenspannvorrichtung an der Kettensäge. Senken Sie die Führungsschiene, so dass die Schraube durch das Loch in der angebrachten Kettenspannvorrichtung gesteckt werden kann.
8. Die Sägekette muß auf die Richtung der Kettenrotation ausgerichtet sein. Wenn sie rückwärts zeigen, die Schleife umdrehen.
9. Legen Sie eine Schlaufe um das Kettenritzel. Setzen Sie die Kettenglieder in die Schienennut. Wenn nötig, können Sie die Kettenspannvorrichtung drehen, um die Kette etwas mehr zu spannen, wodurch sie besser in Position bleibt.
10. Setzen Sie die Kettenritzelabdeckung wieder auf.
11. Stellen Sie die Kettenspannung ein. Lesen Sie den Abschnitt "Einstellen der Kettenspannung".

LUFTFILTER REINIGEN

Siehe Seite 290.

1. Stoppen Sie das Produkt. Stellen Sie sicher, dass die Kettenbremse in der Bremsposition ist.
2. Schrauben Sie den Verriegelungsknopf der Luftfilterabdeckung ab und entfernen Sie sie von dem Produkt.
3. Entfernen Sie den Luftfilter.
4. Entfernen Sie mit einer Bürste Staub und Schmutz von dem Luftfilter. Wenn nötig, teilen sie den Luftfilter mit einem Schlitz-Schraubendreher und reinigen den Innenbereich.
5. Setzen Sie die Luftfilterabdeckung wieder auf und ziehen den Verriegelungsknopf fest.

REINIGEN DES FUNKENFÄNGERS

Siehe Seite 291.

⚠️ WARNUNG

Der Schalldämpfer ist während und nach dem Betrieb des Produktes heiß. Halten Sie während und nach der Benutzung alle Körperteile von dem Schalldämpfer fern, um schwere Verletzungen zu vermeiden.

1. Stoppen Sie das Produkt. Stellen Sie sicher, dass die Kettenbremse in der Bremsposition ist. Warten, bis der Schalldämpfer abgekühlt ist.
2. Entfernen Sie die Befestigungsschraube, welche die Schalldämpferabdeckung an dem Krallenanschlag

befestigt, entfernen Sie dann die beiden Muttern der Schalldämpferabdeckung.

3. Nehmen Sie die Schalldämpferabdeckung ab.
4. Nehmen Sie den Funkenfänger heraus. Reinigen Sie den Funkenfänger mit einer kleinen Drahtbürste.
5. Setzen Sie die Schalldämpferabdeckung wieder zu montieren, wiederholen Sie diese Schritte in umgekehrter Reihenfolge.

⚠️ WARNUNG

Der Krallenanschlag ist ein Sicherheitsmerkmal des Produktes. Sichern Sie ihn mit der richtigen Schraube, nachdem Sie die Schalldämpferabdeckung aufgesetzt haben. Werden diese Anweisungen nicht befolgt, kann dies zu schweren Verletzungen oder Unfällen mit Todesfolge führen.

ÜBERPRÜFEN UND REINIGEN DER KETTENBREMSE

Siehe Seite 294.

- Halten Sie den Kettenbremsmechanismus immer sauber, indem Sie das Bremsband vorsichtig abbürsten.
- Testen Sie nach der Reinigung immer die Funktionsfähigkeit der Kettenbremse.
- Lesen Sie "Bedienung - Überprüfung und Betrieb der Kettenbremse" in dieser Bedienungsanleitung für zusätzliche Informationen.

EINSTELLUNG VON MOTORDREHZAHL UND VERGASER

⚠️ WARNUNG

Falsche Einstellung des Vergasers kann die Gefahr von Verletzungen, tödlichen Unfällen oder Produktschäden erhöhen. Bringen Sie das Produkt zur Einstellung des Vergasers zu einem autorisierten Kundendienst.

WARTUNGSPLAN

Tägliche Kontrollen	
Kraftstoffgemisch	Vor jeder Verwendung
Schmierung Schiene	Vor jeder Verwendung
Kettenspannung	Vor jeder Benutzung und regelmäßig
Funktion der Kupplung (keine Bewegung der Kette bei Leerlauf)	Vor jeder Verwendung
Kettenschärfe	Vor jeder Benutzung, Sichtprüfung
Beschädigte Teile	Vor jeder Verwendung

Lose Befestigungsteile	Vor jeder Verwendung
Lose Teile	Vor jeder Verwendung
Kettenbremse-Funktion	Vor jeder Verwendung
Für Kraftstofflecks	Vor jeder Verwendung

INSPIZIEREN UND REINIGEN

Führungsschiene	Vor jeder Verwendung
Komplette Säge	Nach jeder Verwendung
Luft filter	Alle 5 Stunden*
KETTENBREMSE	Alle 5 Stunden*
Ersatz Zündkerze	Jährlich
Ersatz Kraftstofffilter	Jährlich

*Betriebsstunden

RESTRISIKEN:

Sogar wenn das Produkt wie vorgeschrieben benutzt wird, ist es unmöglich ein gewisses Restrisiko vollständig zu beseitigen. Die folgenden Gefahren können bei der Benutzung entstehen, und der Benutzer sollte besonders auf folgende Punkte achten:

- Durch Vibrationen verursachte Verletzungen. Benutzen Sie immer das richtige Werkzeug für die Aufgabe, benutzen Sie die vorgesehenen Griffe und schränken die Arbeitszeit und Exposition ein.
- Lärm kann zu Gehörschäden führen. Tragen Sie einen Gehörschutz und schränken Sie die Belastung ein.
- Kontakt mit freiliegenden Sägezähnen der Sägekette (Schnittgefahr).
- Unvorhergesehene, abrupte Bewegungen oder Rückschlag der Führungsschiene (Schnittgefahr).
- Teile die von der Sägekette wegfiegen (Schnittgefahr/ Gefahr wegspritzender Teile).
- Weg geschleuderte Teile des Werkstücks (Holzspäne, Splitter).
- Einatmen von Sägemehl und -spänen oder Abgase des Benzinmotors.
- Hautkontakt mit Benzin / Öl.

RISIKOVERRINGERUNG

Vibrationen von in der Hand gehaltenen Werkzeugen können bei einigen Personen zu einem Zustand, der Raynaud-Syndrom genannt wird, führen. Symptome sind u.a. Kribbeln, Taubheitsgefühl und episodische Weißfärbung der Finger und treten normalerweise bei Kälte auf. Man geht davon aus, dass ererbte Faktoren, Kälte und Feuchtigkeit, Essgewohnheiten, Rauchen und Arbeitsweise zur Entwicklung dieser Symptome beitragen. Der Anwender kann Maßnahmen ergreifen, um die Auswirkungen der Vibrationen möglicherweise zu verringern:

- Halten Sie den Körper bei Kälte warm. Tragen Sie beim Betrieb des Gerätes Handschuhe, um Hände und Handgelenke warm zu halten. Berichten zu Folge ist kaltes Wetter ein wesentlicher Faktor, der zum Raynaud Syndrom beiträgt.
 - Betätigen Sie sich nach jedem Einsatz körperlich, um den Blutkreislauf zu steigern.
 - Machen Sie regelmäßig Pausen. Beschränken Sie die Beanspruchung pro Tag.
 - Schutzhandschuhe sind bei Fachhändlern für Kettensägen erhältlich und speziell zur Benutzung mit Kettensägen, mit Schutzfunktion und gutem Halt, entwickelt. Handschuhe verringern den Effekt des vibrierenden Griffs auch etwas. Diese Handschuhe sollten EN381-7 erfüllen und CE gekennzeichnet sein.
- Sollten bei Ihnen Symptome dieses Zustands auftreten, stellen Sie unverzüglich den Betrieb ein und suchen Sie in Hinsicht auf die Symptome einen Arzt auf.

⚠️ WARNUNG

Verletzungen können durch lange Benutzung eines Werkzeugs entstehen oder verschlimmert werden. Machen Sie regelmäßig Pause, wenn Sie ein Werkzeug für lange Zeit benutzen.

MACHEN SIE SICH MIT IHREM PRODUKT VERTRAUT

Siehe Seite 271.

TEILE

1. Kette
2. Führungsschiene
3. Vorderer Handschutz/Kettenbremse
4. Vorderer Haltegriff
5. Luftfilterabdeckung
6. Startergriff
7. Hinterer Haltegriff
8. Krallenanschlag
9. Schalldämpferabdeckung
10. Kraftstofftank-Deckel
11. Kettenöltank-Deckel
12. Zündschalter
13. Gashebelsperre
14. Gashebel
15. Einspritzknopf
16. Choke-Hebel
17. Kombischlüssel
18. Kettenritzelabdeckung
19. Kettenfänger
20. Ring zum Einstellen der Kettenspannung
21. Verriegelungsknopf der Führungsschiene
22. Abdeckung Führungsschiene

SCHUTZVORRICHTUNGEN

SÄGEKETTE MIT GERINGEM RÜCKSCHLAG

Eine Sägekette mit geringer Rückschlaggefahr kann die Wahrscheinlichkeit eines Rückschlags reduzieren.

Die Räumzähne (Tiefenbegrenzer) vor jedem Sägezahn können die Stärke der Rückschlagreaktion gering halten,

Deutsch | 33

EN
FR
DE
ES
IT
NL
PT
DA
SV
FI
NO
RU
PL
CS
HU
RO
LV
LT
ET
HR
SL
SK
BG

indem sie verhindern, dass die Sägezähne zu tief eingreifen. Verwenden Sie ausschließlich die durch den Hersteller empfohlenen Kombinationen von Ersatzschienen und -ketten.

Beim Schleifen von Sägeketten verlieren diese etwas an den Qualitäten, die den Rückschlag gering halten, und es ist daher besondere Vorsicht geboten. Zu Ihrer eigenen Sicherheit, ersetzen Sie Sägeketten, wenn die Sägeleistung schwindet.

KRALLENANSCHLAG

Der integrierte Krallenanschlag kann als Drehpunkt verwendet werden, wenn ein Schnitt durchzuführen ist. Er ist hilfreich, beim Sägen das Gehäuse der Säge stabil zu halten. Drücken Sie beim Sägen die Maschine nach vorne, bis die Metalldorne in die Holzkannte dringen, wenn Sie dann den hinteren Griff nach oben oder unten in Richtung des Schnitts heben, kann die physische Belastung des Sägens verringert werden.

FÜHRUNGSSCHIENEN

Allgemein gilt, Führungsschienen mit Spitzen mit kleinerem Radius haben ein etwas geringeres Potential für Rückschläge. Verwenden Sie ausschließlich die durch den Hersteller empfohlenen Kombinationen von Ersatzschienen und -ketten. Die Benutzung von nicht empfohlenen Führungsschienen erhöht die Gefahr eines Kontrollverlustes beim Sägen. Überprüfen Sie die Kettenspannung regelmäßig. Beim Sägen kleinerer Äste (dünner als die volle Länge der Führungsschiene), ist die Gefahr, dass die Kette abgeworfen wird, wenn die Spannung nicht richtig ist, größer.

KETTENBREMSE

Kettenbremsen sind dazu vorgesehen, die Kette schnell zum Stillstand zu bringen. Wenn der Kettenbremshebel/ Handschutz in Richtung Schiene gedrückt wird, muss die Kette sofort stoppen. Eine Kettenbremse kann Rückschlag nicht verhindern. Es verringert nur das Risiko, wenn die Führungsschiene den Körper des Benutzers bei einem Rückschlag trifft. Der ordnungsgemäße Betrieb der Kettenbremse muß vor jeder Benutzung getestet werden, in der Betriebs- und Bremsposition

KETTENFÄNGER

Ein Kettenfänger verhindert, dass die Kette in Richtung Benutzer geschleudert wird, wenn die Kette sich lockert oder reißt.

SYMBOLE AUF DEM PRODUKT



Sicherheitswarnung



Lesen und verstehen Sie alle Anweisungen, bevor Sie das Produkt benutzen, befolgen Sie alle Warnungen und Sicherheitsanweisungen.



Tragen Sie Augen, Gehör und Kopfschutz.



Tragen Sie rutschfeste Sicherheitsschuhe, wenn Sie dieses Produkt benutzen.



Tragen Sie rutschfeste, strapazierfähige Handschuhe.



Achten Sie auf Rückschlag der Kettensäge und vermeiden Sie den Kontakt mit der Schienenspitze.



Halten Sie Ihre Kettensäge bei der Arbeit mit beiden Händen.



Verwenden Sie Ihre Kettensäge niemals, in dem Sie sie nur mit einer Hand halten.



Dieses Gerät entspricht allen gesetzlichen Normen des Landes der europäischen Union, in dem es gekauft wurde.



Verwenden Sie bleifreies Benzin für Autos mit einem Oktanindex von 91 ([R+M]/2) oder höher.



Verwenden Sie 2-Takt-Öl für luftgekühlte Motoren.



Mischen Sie die Treibstoffmischung gründlich und auch jedes Mal vor dem Befüllen.



Geben Sie bei jedem Betanken Schienen- und Kettenöl hinzu.



Stellen Sie die Kettenbremse auf die Betriebsposition.



Stellen Sie die Kettenbremse auf die Bremsposition.



Zündungsschalter auf ON (EIN) Position schalten.



Den EINSPRITZKNOPF 10 Mal ganz eindrücken und loslassen.



Stellen Sie den Chokehebel auf die "VOLL" Position.















Solange am Anlasserseil ziehen, bis der Motor das erste Mal zündet (nicht öfter als fünf Mal ziehen).

-  Stellen Sie den Chokehebel auf die "HALB" Position.
-  Den Startergriff ziehen bis der Motor anspringt.
-  Drücken Sie die Gashebelsperre und den Gashebel.
-  EurAsian Konformitätszeichen
-  Der garantierte Schalleistungspegel beträgt 112 dB(A).
-  Schmierung für Schiene und Kette
-  Bleifreies Benzin und 2-Takt Öl.
-  Betriebsposition
-  Halbe Choke Position
-  "VOLL" Position
-  Schließen
-  Öffnen
-  Drehen zum Einstellen der Kettenspannung
+ = Kettenspannung erhöhen.
- = Kettenspannung reduzieren
-  Drehrichtung der Kette (Markierung unter der Zahnkranzabdeckung)
-  Normalmodus
-  Gefrierschutzmodus
- T Leerlaufeinstellung

- H Nadelventil für hohe Geschwindigkeit
- L Nadelventil für niedrige Geschwindigkeit

SYMBOLE IN DIESER BETRIEBSANLEITUNG

-  Kraftstoff im Freien mischen. Es dürfen keine Funken oder Flammen zugegen sein.
-  Rauchen Sie nicht, wenn Sie Treibstoff mischen oder den Tank befüllen.
-  Teile oder Zubehör getrennt erhältlich
-  Elektrische Geräte sollten nicht mit dem übrigen Müll entsorgt werden. Bitte entsorgen Sie diese an den entsprechenden Entsorgungsstellen.
-  Hinweis
-  Warnung!
-  Tragen Sie Augen- und Gesichtsschutz.
-  Tragen Sie einen Oberkörperschutz
-  Tragen Sie einen Beinschutz.
-  Stoppen des Produktes.
-  Verriegeln der Filterabdeckung
-  Entriegeln der Filterabdeckung

Die folgenden Signalwörter und –bedeutungen sollen den mit diesem Produkt verbundenen Risikograd veranschaulichen:

- ⚠ GEFAHR**
Weist auf eine unmittelbare gefährliche Situation hin, die bei Missachtung zu Tod oder ernsthafter Verletzung führen kann.
- ⚠ WARNUNG**
IWeist auf eine mögliche gefährliche Situation hin, die bei Missachtung zu Tod oder ernsthafter Verletzung führen kann.

 **VORSICHT**

! Weist auf eine mögliche gefährliche Situation hin, die bei Missachtung zu einer leichten oder mittleren Verletzung führen kann.

VORSICHT

Ohne Sicherheitswarnsymbol
Bezeichnet eine Situation die zu Sachbeschädigungen führen kann.

Seguridad, desempeño y fiabilidad son las prioridades en el diseño de su Motosierra a gasolina.

USO PREVISTO

El producto solo está pensado para utilizarse al aire libre en una zona bien ventilada. Por razones de seguridad, la herramienta debe controlarse de forma adecuada utilizando las dos manos en todo momento.

Este producto está diseñado para el corte de ramas, troncos, leña y vigas de un diámetro determinado por la longitud de corte de la barra guía. Su uso se limita al corte de madera. Sólo debe utilizarse en usos domésticos por adultos que hayan recibido una formación adecuada sobre los riesgos y las acciones/medidas preventivas a tener en cuenta durante su utilización.

No utilice el producto para cualquier otro propósito que no sea alguno de los mencionados anteriormente. No debe ser utilizado para servicios profesionales de tala de árboles. El producto no debería ser utilizado por niños o por personas que no lleven ropa o un equipo adecuados de protección personal.

⚠ ADVERTENCIA

Al utilizar el producto, deben seguirse las normas de seguridad. Por su propia seguridad y la de los transeúntes, debe leer y comprender todas estas instrucciones antes de empezar a utilizar el aparato. Debe asistir a un curso de seguridad organizado profesionalmente sobre uso, medidas preventivas, primeros auxilios y mantenimiento de motosierras. Guarde las instrucciones para usarlas en el futuro.

⚠ ADVERTENCIA

Las motosierras son herramientas potencialmente peligrosas. Los accidentes que impliquen el uso de motosierras a menudo pueden causar la pérdida de miembros o la muerte. La motosierra no es la única que conlleva riesgo. Las ramas que caen, el derribo de árboles, o troncos rodantes pueden causar la muerte. La madera enferma o podrida implica peligros adicionales. Debes evaluar tu capacidad para completar la tarea de manera segura. En caso de duda, déjelo en manos de un profesional de árboles.

ALERTA DE SEGURIDAD GENERAL

- Algunas regiones tienen normas que limitan el uso del producto. Consulte con su autoridad local para obtener información.
- Nunca permita que niños o personas no familiarizadas con las instrucciones utilicen este producto. Las regulaciones locales pueden restringir la edad del operario.
- Antes de cada uso, asegúrese de que todos los controles y dispositivos de seguridad funcionan correctamente. No utilice el aparato si el interruptor "off" no para el motor.
- Nunca encienda o ponga el motor en funcionamiento

en un área cerrada o poco ventilada; la inhalación de los gases de escape puede matar.

- Limpie la zona de trabajo antes de cada uso, una zona de trabajo desordenada y sucia puede provocar accidentes.
- Use protección auditiva y ocular total, guantes resistentes, calzado de seguridad con suelas antideslizantes y un casco mientras utiliza el producto. Utilice una máscara para la cara si el ambiente de trabajo es polvoriento.
- No use ropa holgada, pantalones cortos ni joyería de ningún tipo.
- Recoja el cabello largo para que quede por encima del nivel de los hombros y evitar así que se enmarañe en cualquier pieza móvil.
- Tenga cuidado con los objetos arrojados, voladizos o en caída. Mantenga a los espectadores (especialmente niños y animales), por lo menos a 15m de distancia del área de trabajo.
- No utilice este producto en atmósferas inflamables o explosivas.
- Sujete firmemente ambos mangos mientras usa el producto.
- Manténgase alerta, observe lo que está haciendo y use el sentido común cuando utilice el aparato. No utilice este producto si está cansado o si se encuentra bajo la influencia de drogas, alcohol o medicamentos. Un lapso en la concentración mientras utiliza la unidad puede resultar en lesiones personales graves.
- No trabaje con esta herramienta en una zona mal iluminada. El operador debe tener una visión clara de la zona de trabajo para identificar peligros potenciales.
- El uso de dispositivos de protección auditiva reducirá su capacidad para oír posibles advertencias (gritos o alarmas). El operador debe prestar atención extra a lo que está sucediendo en el área de trabajo.
- Utilizar herramientas similares a poca distancia aumenta tanto el riesgo de lesión auditiva como el riesgo potencial de que otras personas accedan a su área de trabajo.
- Mantenga su pisada firme y su equilibrio. No se extienda demasiado. Estirarse demasiado puede provocar la pérdida de equilibrio o la exposición a superficies calientes, aumentando así el riesgo de retroceso.
- Mantenga las piezas en movimiento alejadas de su cuerpo.
- No toque el área de alrededor del sistema de silenciador o motor del aparato, ya que estas piezas se calientan durante el funcionamiento.
- Inspeccione la máquina antes de cada uso. Compruebe el correcto funcionamiento de todos los controles incluyendo el freno de cadena. Compruebe que no haya piezas de sujeción sueltas, asegúrese de que todas las protecciones y mangos están bien sujetos. Sustituya cualquier pieza dañificada antes de su utilización.
- No modifique la herramienta de modo alguno ni utilice piezas o accesorios que no sean los recomendados por el fabricante.

⚠ ADVERTENCIA

Si el aparato se cae, sufre un impacto fuerte o empieza a vibrar de manera anormal, párelo inmediatamente y compruebe si está dañado o identifique el motivo de la vibración. La reparación de daños y la sustitución de piezas deben ser realizadas por un centro de servicio autorizado.

- Cuando la mezcla de combustible o de llenar el depósito de combustible, no fumar y mantener a 10 m de distancia de cualquier fuente de ignición.
- Mezcle y almacene el combustible en un contenedor de gasolina homologado.
- Mezcle el combustible al aire libre en una zona sin chispas ni llamas. Limpie con un trapo el combustible que se haya derramado. Aléjese 10 m (30 pies) del lugar de repostaje antes de arrancar el motor.
- Pare el motor y déjelo enfriar antes de repostar, guardar o transportar el aparato.
- Recuerde cerrar correctamente todas las tapas del depósito de combustible después de llenarlo o mezclar.

ADVERTENCIAS DE SEGURIDAD DE LA MOTOSIERRA

- Coloque siempre la tapa de la barra de guía cuando no esté utilizando el producto o cuando esté siendo transportado. Esto ayudará a reducir el riesgo de contacto accidental con las afiladas cuchillas de la cadena. Transporte el producto por el asa superior con la barra de guía alejada de su cuerpo.
- Debe familiarizarse con su nueva motosierra haciendo cortes simples en madera con un apoyo seguro. Haga esto cada vez que haya pasado algún tiempo sin utilizar la sierra.
- Corte los troncos sobre un caballete o base al utilizar el producto por primera vez.
- Asegúrese de que todas las protecciones, mangos y paragolpes dentado están debidamente instalados y en buen estado.
- Las personas que utilicen el producto deben estar en buen estado de salud. El producto es una unidad pesada por lo que el operario debe estar en buena forma física. El operario debe estar alerta, tener buena visión, movilidad, equilibrio y destreza manual. Si tiene alguna duda, no utilice el producto.
- No trabaje con la motosierra desde una superficie inestable, como una escalera, un andamio, un árbol, etc. Esto incluye, entre otros, escaleras, andamios y árboles. Mantenga ambas manos en las asas del producto en todo momento.
- No empiece a usar el producto hasta que el área de trabajo esté despejada, tenga los pies firmes y cuente con una zona planificada para alejarse de la caída del árbol.
- Extreme las precauciones cuando corte maleza o árboles jóvenes, ya que el material fino puede quedar atrapado en la cadena y golpearle o hacerle perder el equilibrio.
- Cuando corte una rama que esté sometida a una tensión, tenga cuidado para evitar el golpe brusco que puede provocar el corte.
- Tenga cuidado con las emisiones de gases de escape, los vapores de aceite y el serrín. Póngase una máscara o un respirador cuando sea necesario.
- No corte vides y/o maleza pequeña (menos de 75 mm de diámetro).
- Sujete siempre la motosierra con ambas manos cuando la esté utilizando. Sujétela firmemente con los pulgares y los dedos alrededor de las asas. La mano derecha debe estar en el mango trasero y la mano izquierda en el mango delantero.
- Antes de arrancar la herramienta, asegúrese de que la cadena de la sierra no esté tocando ningún objeto. Arranque siempre el producto con el freno de mano puesto (totalmente hacia delante).
- No modifique su producto de ningún modo ni lo utilice para alimentar accesorios o dispositivos no recomendados por el fabricante para su producto.
- Debe haber un kit de primeros auxilios con vendajes grandes para heridas y un medio para llamar la atención (por ejemplo, un silbato) cerca del operario. Del mismo modo, debe haber un kit más amplio y completo cerca.
- El operario puede estar tentado a quitarse el casco si no hay peligro de caída de objetos en el área de trabajo, pero recuerde que el casco, especialmente si tiene pantalla de rejilla, puede ayudar a reducir la posibilidad de lesiones en el rostro y la cabeza en caso de retroceso.
- Una cadena mal tensada puede saltar fuera de la barra de guía, resultando en lesiones graves o la muerte. La longitud de la cadena depende de la temperatura y desgaste de la cadena. Compruebe frecuentemente la tensión.
- Mantenga las asas secas, limpias y libres de aceite y grasa. Las asas manchadas de grasa o aceite son resbaladizas, pueden ocasionar la pérdida de control.
- Para reducir el riesgo de lesiones por contacto con las piezas móviles, detenga siempre el motor, active el freno de la cadena, retire el cable de la bujía y asegúrese de que todas las piezas móviles se han detenido antes
 - limpieza y desobstrucción de bloqueo
 - dejar el producto desatendido
 - instalar o retirar accesorios
 - inspeccionar, mantener o trabajar con el producto
- La extensión de la zona de trabajo depende de la tarea realizada así como del tamaño del árbol o de la pieza en cuestión. Por ejemplo, la tala de un árbol requiere una mayor área de trabajo que la realización de otros cortes, por ejemplo, cortes de división de troncos, etc. El operario tiene que estar atento y tener bajo control todo lo que ocurre en esta área de trabajo.
- No corte con su cuerpo en línea con la barra de guía y la cadena. En caso de retroceso, esto ayudará a evitar que la cadena entre en contacto con su cabeza o su cuerpo.
- No realice movimientos de serrado hacia delante

y hacia atrás; deje que la cadena haga el trabajo. Mantenga la cadena afilada y no intente hacer presión con la cadena sobre el corte.

- No aplique presión sobre la sierra al final del corte. Prepárese para aguantar el peso de la sierra cuando ésta sobrepase la madera. De otro modo, podría sufrir lesiones personales graves.
- No detenga la sierra en medio de una operación de corte. Mantenga la sierra funcionando hasta que ya esté retirada del corte.

Equipo de protección personal

Los equipos de protección individual de buena calidad, como los utilizados por profesionales, ayudarán a reducir el riesgo de lesiones al operario. Al utilizar su motosierra, debe utilizar los siguientes elementos:

Casco de seguridad

- debe cumplir la norma EN 397 y poseer el marcado CE

Protección auditiva

- debe cumplir la norma EN 352-1 y poseer el marcado CE

Protección ocular y para el rostro

- deben poseer el marcado CE y cumplir la norma EN 166 (para gafas de seguridad) o EN 1731 (para pantallas de rejilla)

Guantes

- debe cumplir la norma EN 381-7 y poseer el marcado CE

Protección para las piernas (pantalones de seguridad)

- deben cumplir la norma EN381-5, poseer el marcado CE y proporcionar una protección completa.

Botas de seguridad para la motosierra

- deben cumplir la norma EN ISO 20345:2004 y poseer un marcado que represente una motosierra para demostrar su conformidad con la norma EN 381-3. (Los usuarios ocasionales pueden utilizar botas de seguridad con punta de acero con polainas protectoras, de acuerdo con la norma EN 381-9 si el suelo está nivelado y hay poco riesgo de tropezar o engancharse en la maleza)

Chaquetas adecuadas para motosierra para protección de la parte superior del cuerpo

- debe cumplir la norma EN 381-11 y poseer el marcado CE

1. Detenga el aparato. Use guantes de protección.
2. Suelte el freno de la cadena.
3. Afloje el botón de bloqueo de la barra de guía y retire la cubierta del piñón.
4. Coloque la barra de guía y el tensor de cadena de la motosierra. Baje la barra de guía para que el perno pase a través del orificio en la barra y en el tensor de cadena.
5. La motosierra debe estar orientada hacia la dirección de rotación de la cadena. Si están orientadas hacia atrás, dé la vuelta a la cadena.
6. Coloque el lazo alrededor del piñón de arrastre. Coloque los eslabones de la cadena sobre las ranuras de la barra. En caso necesario, gire el tensor de la cadena para aplicar tensión sobre la cadena; esto ayudará a mantenerla en su sitio.
7. Vuelva a colocar la tapa del piñón.
8. Ajuste la tensión de la cadena. Consulte la sección "Ajuste de la tensión de la cadena".

AJUSTE DE LA TENSIÓN DE LA CADENA

Véase la página 286.

1. Afloje ligeramente el botón de bloqueo de la barra de guía girándolo hacia la izquierda.
2. Para incrementar la tensión de la cadena, gire el anillo de ajuste del tensionador en sentido de las agujas del reloj y compruebe la tensión de la cadena con frecuencia. Para reducir la tensión de la cadena, gire el anillo de ajuste del tensionador en sentido contrario a las agujas del reloj y compruebe la tensión de la cadena con frecuencia.
3. La tensión de la cadena es correcta cuando el espacio entre la cuchilla de la cadena y la barra mide entre 3 mm y 4 mm. Tire de la cadena en el centro de la parte inferior de la barra hacia abajo (alejándola de la barra) y mida la distancia entre la barra y los cortadores de la cadena.
4. Ajuste el botón de bloqueo de la barra de guía girándolo hacia la derecha.

OBSERVACIÓN: La temperatura de la cadena aumenta durante el funcionamiento normal, haciendo que la cadena se expanda. Compruebe frecuentemente la tensión de la cadena y ténsela cuando sea necesario. Una cadena que se ha tensado en caliente puede quedar demasiado apretada al enfriarse. Asegúrese de que la tensión de la cadena está correctamente ajustada según se especifica en estas instrucciones.

MONTAJE

⚠ ADVERTENCIA

En caso de que se dañe o falte alguna pieza, no utilice este producto hasta que se hayan reemplazado las piezas. No prestar atención a esta advertencia podría resultar en lesiones personales.

MONTAJE DE LA CADENA Y LA BARRA DE GUÍA

Véase la página 273, Fig. 5 - 8.

USO DEL PRODUCTO

COMBUSTIBLE Y REPOSTAJE

Seguridad en la manipulación del combustible

⚠ ADVERTENCIA

Apague siempre el motor antes de llenarlo de combustible. Nunca ponga combustible en una máquina en funcionamiento o con el motor caliente. Aléjese al menos 10 metros del lugar de repostaje antes de arrancar el motor. No fume! Si no presta atención a esta advertencia, puede sufrir lesiones de gravedad.

⚠ ADVERTENCIA

Compruebe si hay pérdidas de combustible. Si encuentra algunas, corríjalas antes de usar el producto para evitar incendio o lesiones físicas.

- Maneje siempre con cuidado el combustible, que es altamente inflamable.
- Reponga el combustible siempre en exteriores, lejos de fuentes de ignición, no inhale los vapores del combustible.
- Evite el contacto de la gasolina y el aceite con la piel. En caso de contacto, lavar inmediatamente con jabón y agua abundante.
- No acerque la gasolina ni el aceite a los ojos. En caso de contacto de la gasolina o el aceite con los ojos, lávelos inmediatamente con agua limpia. Si persiste la irritación, acuda inmediatamente a un médico.

Mezcla del combustible

- La máquina funciona con un motor de 2 tiempos que necesita una mezcla de gasolina y aceite de síntesis 2 tiempos (proporción 2%). Mezcle gasolina sin plomo y aceite para motores de dos tiempos en un contenedor de gasolina homologado y limpio.
- El motor está certificado para funcionar con gasolina sin plomo para uso de automoción con un octanaje mínimo de 91 $([R + M] / 2)$.
- No utilice ninguna clase de mezcla de gasolina y aceite que se comercialice en las estaciones de servicio. Incluida la mezcla para uso en ciclomotores, motocicletas, etc.
- Use un lubricante de alta calidad, automezclante, para motores de 2 tiempos con ventilación por aire. No use lubricante para automóviles o lubricantes para motores fuera de borda de 2 tiempos.
- Mezcle un 2% de aceite con la gasolina. Lo que equivale a una proporción de 50:1.
- Mezcle perfectamente el combustible y vuélvalo a mezclar antes de repostar.
- Mezcle pequeñas cantidades. No mezcle cantidades que no vaya a consumir en un período de 30 días. Le recomendamos que utilice un aceite de síntesis para motores de 2 tiempos con estabilizador de combustible.

OBSERVACIÓN: La garantía no cubre ninguna avería o problemas de rendimiento en el motor o el sistema de combustible ocasionado por el uso de combustibles oxigenados que contengan porcentajes mayores a los especificados anteriormente.

Llenado del depósito de combustible

Véase la página 273.

- Limpie la superficie que rodea el tapón de combustible para evitar la contaminación.
- Afloje la tapa de combustible lentamente.
- Vierta la mezcla de combustible con cuidado en el depósito. Evite derramar la mezcla.
- Antes de volver a poner el tapón, limpie e inspeccione la junta de estanqueidad.
- Vuelva a poner el tapón inmediatamente y apriételo a mano. Limpie con un trapo el combustible que se haya derramado.

OBSERVACIÓN: Es normal que el motor emita humos durante y después del primer uso.

AÑADA ACEITE LUBRICANTE PARA LA CADENA

Véase la página 273.

⚠ ADVERTENCIA

Nunca trabaje sin lubricante de cadena. Si la motosierra está funcionando sin lubricante, la barra de guía y la motosierra pueden estropearse. Por tanto, es imprescindible comprobar el nivel de aceite en el indicador de nivel de aceite con frecuencia y siempre antes de empezar a utilizar la motosierra.

1. Limpie el área alrededor de la tapa del aceite para prevenir la contaminación.
2. Desatornille y retire la tapa del depósito de aceite.
3. Vierta el aceite en el depósito de aceite y controle el indicador de nivel de aceite. Asegúrese de que no entre suciedad en el depósito de aceite durante la operación de llenado.
4. Coloque la tapa del depósito y apriétela. Limpie cualquier posible derrame.
5. Un depósito lleno de aceite le permitirá usar la sierra durante 20 - 40 minutos.

OBSERVACIÓN: Un sistema de lubricación de la cadena y la barra que funcione adecuadamente normalmente descarga aceite de la cadena durante el uso. Para comprobar el funcionamiento del sistema de lubricación de la barra y la cadena, dirija el extremo de la cadena hacia una superficie de color claro, como un periódico. Pasado un rato, debería distinguir una línea de salpicadura de aceite.

Aceite lubricante para cadenas recomendado

- El fabricante recomienda utilizar únicamente el aceite lubricante de motosierra Ryobi. (Disponible en su centro de servicio autorizado)

ARRANCAR EL PRODUCTO

El método de arranque varía según el motor esté frío o caliente.

⚠ ADVERTENCIA

Sitúese a la izquierda de la línea de la cadena. Nunca arranque la motosierra entre las piernas ni se incline sobre la línea de la cadena.

- Coloque el producto en el suelo y asegúrese de que no hay objetos ni obstáculos en los alrededores que puedan entrar en contacto con la barra y la cadena.
- Sujete firmemente el asa delantera con la mano izquierda y apoye el pie derecho contra la base del asa trasera.

OBSERVACIÓN: En las siguientes instrucciones de arranque, cuando se tira de la palanca del estérter hacia la posición START, la válvula se configura para arrancar. Para devolver la válvula a la posición RUN, apriete y suelte el gatillo de la válvula.

Para arrancar un motor en frío:

Ver páginas 272 - 273.

1. Coloque el interruptor de arranque en posición ON.
2. Asegúrese de que el freno de cadena está en posición BRAKE empujándola sobre la palanca/protección para las manos.
3. Apriete a fondo y suelte el CEBADOR 10 veces.
4. Tire de la palanca del estrangulador completamente hasta la posición START.
5. Si la temperatura es mayor a 10°C, tire de la cuerda de arranque hasta que el motor intente arrancar, pero no más de 3 veces. Si la temperatura es menor a 10°C, tire de la cuerda de arranque hasta que el motor intente arrancar, pero no lo haga más de 5 veces.
6. Coloque la palanca del acelerador en posición media. Tire de la palanca de arranque hasta que el motor arranque.
7. Suelte el seguro del gatillo y apriete el gatillo del acelerador, a continuación, suelte el gatillo del acelerador para volver a poner el motor a ralentí.
8. Deje que el producto funcione a ralentí durante 15-30 segundos.
9. Antes de acelerar el motor o cortar madera, asegúrese de que el freno de cadena está en posición "run" (funcionamiento) tirando hacia atrás de la palanca del freno/protección.

⚠ ADVERTENCIA

En caso de mantenerse la media potencia cuando la palanca del freno de la cadena está en la posición de frenado, se pueden ocasionar daños graves a la máquina. No apriete ni mantenga apretado nunca en gatillo del acelerador mientras el freno de la cadena está en la posición de frenado.

Para arrancar un motor en caliente:

Véase la página 281.

1. Coloque el interruptor de arranque en posición ON.
2. Asegúrese de que el freno de cadena está en posición BRAKE empujándola sobre la palanca/protección para las manos.
3. Pulse el cebador 10 veces.

4. Tire totalmente de la palanca de estrangulación hasta la posición de "START" y luego vuelva a colocarla en la posición "RUN".
5. Tire del mango de arranque hasta que el motor arranque, pero no más de 5 veces. Suelte el seguro del gatillo y apriete el gatillo del acelerador, a continuación, suelte el gatillo del acelerador para volver a poner el motor a ralentí. Si el motor no arranca después de 5 intentos, use el procedimiento de arranque del motor en frío.
6. Antes de acelerar el motor o cortar madera, asegúrese de que el freno de cadena está en posición "run" (funcionamiento) tirando hacia atrás de la palanca del freno/protección.

SWITCHING BETWEEN OPERATING MODES

Véase la página 287.

El producto cuenta con un modo anticongelante que evita la formación de hielo en el interior del carburador durante el funcionamiento a temperaturas de $\leq 5^{\circ}\text{C}$.

Una escotilla de ventilación en el lado derecho de la cubierta del filtro de aire puede recolocarse para permitir suministrar aire caliente al motor y evitar la formación de hielo en el interior del carburador.

⚠ ADVERTENCIA

Si no funciona el cambio de modo normal a modo anticongelante a temperaturas de $\leq 5^{\circ}\text{C}$, se reducirá la potencia de salida del motor o se producirá un fallo del motor.

Recuerde siempre devolver el producto al modo de funcionamiento normal cuando no hay riesgo de formación de hielo en el interior del carburador. No pasar de modo anticongelante a modo normal a temperaturas normales puede provocar un fallo en el motor.

PARADA DEL MOTOR

Suelte el gatillo del acelerador y deje que el motor vuelva al ralentí. Para parar el motor, desplace el interruptor de encendido a la posición "O" de parada. No apoye la motosierra en el suelo cuando la cadena todavía esté en movimiento. Para mayor seguridad, ponga el freno de la cadena cuando la sierra no esté en uso.

En caso de que el interruptor de encendido no detenga la sierra, tire de la palanca del estrangulador hacia fuera hasta la posición de extensión máxima (Estrangulamiento total) y active el freno de la cadena para parar el motor. Si el interruptor de encendido no detiene la sierra cuando se pone en la posición "O" de parada, haga reparar el interruptor de encendido antes de volver a usar la motosierra para evitar hacerlo sin seguridad y correr el riesgo de que se produzcan lesiones graves.

OBSERVACIÓN: Cuando haya terminado de usar el producto, libere la presión del depósito aflojando y volviendo a ajustar las tapas del combustible y del lubricante de la cadena. Antes de guardar la sierra, espere a que el motor se haya enfriado.

SUJETAR EL PRODUCTO

Véase la página 273.

Sujete siempre la herramienta con la mano derecha en la empuñadura trasera y la mano izquierda en la empuñadura delantera. Sujete las empuñaduras con ambas manos. Asegúrese de que su mano izquierda sostiene el asa frontal y que su pulgar está debajo.

COMPROBACIÓN Y FUNCIONAMIENTO DEL FRENO DE CADENA

1. Accione el freno de cadena girando con la mano izquierda el mango delantero. Usando la palma de la mano, empuje la palanca del freno de cadena/protección manual en dirección a la barra mientras la cadena está girando rápidamente. Asegúrese de mantener ambas manos en los mangos del producto todo el tiempo.
2. Vuelva a colocar el freno de cadena en posición de funcionamiento sujetando la parte superior de la palanca del freno de cadena/protección manual y tirando de ella hacia el mango delantero hasta que oiga un clic.

⚠ ADVERTENCIA

Si el freno no detiene la cadena inmediatamente, o si el freno no queda fijo en la posición de funcionamiento por sí mismo, lleve la motosierra a un centro oficial de reparación.

⚠ ADVERTENCIA

Cuando se suelta el gatillo del acelerador y el motor está funcionando al ralentí, la cadena de la sierra no debe moverse. Si continúa moviéndose, existe riesgo de lesiones graves al operario. No utilice el producto, llévelo a un centro de servicio autorizado para que lo ajuste un profesional.

COMPROBACIÓN DEL EMBRAGUE

1. Desactive el freno de la cadena tirando de la palanca del freno/protección hacia el mango delantero hasta que escuche un clic.
2. Deje que el motor funcione al ralentí. Compruebe que el freno de la cadena no esté puesto. Si la cadena gira, mientras corre a velocidad de ralentí, el embrague puede estar dañado. No use la máquina. Entréguelo a un centro de servicio autorizado para que lo ajuste un profesional.
3. Suelte hasta la mitad el gatillo del acelerador y haga funcionar el producto a velocidad media. La cadena de la sierra debería girar sin problemas si el embrague está en buen estado de funcionamiento.

Causas y prevención de retroceso:

Se puede producir un efecto de retroceso si el extremo de la espada toca un objeto o si la cadena se pellizca y se bloquea en la madera durante el corte.

El contacto con la punta, en algunos casos, puede ocasionar una reacción inversa repentina, provocando que la barra guía salte hacia el usuario.

Apretar la cadena de la sierra a lo largo de la parte superior de la barra de guía puede hacer que la barra de guía retroceda rápidamente hacia el operador.

Ambas reacciones provocan la pérdida de control de la motosierra, con el consiguiente riesgo de lesiones de gravedad. No confíe exclusivamente en los dispositivos de seguridad integrados en la motosierra. Como usuario de una motosierra, deberá adoptar una serie de medidas para evitar accidentes y lesiones durante los trabajos de corte.

El retroceso es el resultado de un uso incorrecto de la herramienta y/o de condiciones o procedimientos de manejo incorrectos, y se puede evitar tomando las precauciones necesarias según lo indicado abajo:

- **Sujete firmemente con ambas manos las empuñaduras de la motosierra, y coloque su cuerpo y el brazo de forma que puedan resistir la fuerza del retroceso.** La fuerza del retroceso puede ser controlada por el usuario si se toman las precauciones adecuadas. No suelte la motosierra.
- **No realice sobreesfuerzos y no corte por encima de la altura del hombro.** Esto ayuda a impedir el contacto accidental del extremo de la barra y permite un mejor control de la motosierra en situaciones inesperadas.
- **Utilice solo las cadenas y barras especificadas por el fabricante.** El uso de barras y cadenas de recambio incorrectas podría provocar una ruptura de la cadena y/o un retroceso.
- **Siga las instrucciones de mantenimiento para la motosierra del fabricante.** Disminuir la altura del calibre de profundidad puede ocasionar un incremento del retroceso.

EMPUJE Y ARRASTRE

Véase la *página 279*.

La reacción es siempre opuesta a la dirección de movimiento de la cadena. Así, el operario debe estar preparado para controlar la tendencia de la máquina a apartarse (movimiento hacia delante) al cortar en el borde inferior de la barra y a empujar (hacia el operario) cuando se corta a lo largo del borde superior.

SIERRA ATASCADA EN EL CORTE

Detenga la motosierra y asegúrela. No intente forzar la cadena y la barra fuera del corte, ya que es probable que se rompa la cadena, pudiendo girar hacia tras y golpear al operario. Normalmente esta situación se debe a que la madera está mal apoyada y fuerza el corte bajo compresión, pellizcando así la hoja. Si la barra y la cadena no se liberan mediante el ajuste del soporte, use cuñas de madera o una palanca para abrir el corte y liberar la sierra. No intente arrancar la motosierra cuando la barra de guía ya esté en un corte o ranura.

INSTRUCCIONES RELATIVAS A TÉCNICAS ADECUADAS PARA TALA BÁSICA, CORTE DE RAMAS Y CORTE TRANSVERSAL

Comprender las fuerzas dentro de la madera

Cuando se entienden las presiones y tensiones direccionales dentro de la madera, pueden reducirse los "pellizcos" o por lo menos prevenirlos durante el corte. La tensión en la madera significa que las fibras están siendo separadas y, si se corta en esta área, el corte tenderá a abrirse a medida que la sierra lo atraviesa. Si se está apoyando el tronco sobre un caballete y el extremo queda

colgando sin soporte, se crea tensión en la superficie superior debido al peso del tronco que sobresale, estirando las fibras. Del mismo modo, la parte inferior del tronco estará en compresión, por lo que las fibras tienden a unirse. Si se hace un corte en esta zona, el corte de separación tenderá a cerrarse durante el corte. Esto podría pellizcar la hoja de corte.

Talar un árbol

Véase página 277 - 278.

Cuando dos o más personas realizan operaciones de corte y tala al mismo tiempo, la operación tala debería realizarse a una distancia de la operación de corte de al menos dos veces la altura del árbol que se está talando. Los árboles no deberían talarse de forma que puedan poner a alguien en peligro, alcanzar la línea de suministro o causar daños a la propiedad. Si el árbol se pone en contacto con cualquier línea de suministro, las empresas deberían ser notificadas inmediatamente.

El operario de la motosierra debe mantenerse en la parte más elevada del terreno puesto que es probable que el árbol ruede o resbale hacia abajo una vez talado.

Debe planificarse y despejar una vía de escape ya que es necesario antes de iniciar los cortes. La ruta de retirada debe extenderse hacia atrás y en diagonal hacia la parte posterior de la línea de caída prevista.

Antes de empezar la tala, tenga en cuenta la inclinación natural del árbol, la ubicación de las ramas más grandes y la dirección del viento para evaluar cómo caerá el árbol.

Elimine la suciedad, piedras, trozos de corteza suelta, clavos, estribos o cualquier alambre que pueda estar en el árbol.

No intente talar árboles que estén podridos o dañados por el viento, el fuego, relámpagos, etc. Esta tarea es extremadamente peligrosa y solo debería ser realizada por taladores profesionales.

- Corte inferior de entalle (muesca)

Véase página 277 - 278.

Realice la muesca de 1/3 del diámetro del árbol, perpendicular a la dirección de la caída. Realice primero la muesca horizontal inferior. Esto ayudará a evitar que se pellizque la cadena de la sierra o la barra de guía al realizar la segunda muesca.

- Corte por cara opuesta

Véase página 277 - 278.

Realice el corte trasero por lo menos 50 mm (2 pulgadas) por encima de la muesca horizontal. Mantenga el corte trasero paralelo al corte de la muesca horizontal. Haga el corte trasero para que haya suficiente madera para que funcione como una bisagra. La bisagra de madera evita que el árbol se retuerza y caiga en la dirección errónea. No corte a través de la bisagra.

A medida que se acerca el corte a la bisagra, el árbol debería comenzar a caer. Si hay alguna posibilidad de que el árbol pueda no caer en la dirección deseada o que pueda balancearse hacia atrás o atascarse la cadena de la motosierra, detenga el corte antes de completar el corte trasero y utilice cuñas de madera, plástico o aluminio para abrir el corte y dejar caer el árbol en la línea deseada.

Cuando el árbol empiece a caer, retire la motosierra

del corte, detenga el motor, coloque la motosierra en el suelo y, a continuación, use la ruta de retirada planeada. Esté alerta para evitar las ramas que puedan caer y preste atención siempre por donde camine.

Eliminación de las raíces fulcreas

Véase la página 278.

Una raíz fulcrea es una raíz grande que sale del tronco del árbol por encima del suelo. Elimine las raíces fulcreas antes de talar el árbol. Primero realice el corte horizontal en la raíz fulcrea, y luego el vertical. Retire de la zona de trabajo la sección suelta de madera que ha cortado. Después de eliminar las raíces fulcreas grandes, siga el procedimiento correcto para talar el árbol.

Corte transversal de un tronco

Véase la página 279.

Este aserrado se realiza longitudinalmente. Es importante asegurarse de que el suelo donde se encuentra sea firme y que su peso se distribuya uniformemente en ambos pies. Cuando sea posible el tronco debería ser levantado y apoyado mediante ramas, troncos o cuñas. Siga estas sencillas instrucciones para realizar un corte fácil: Cuando el tronco esté apoyado en toda su longitud, se corta desde la parte superior (corte desde arriba).

Cuando el tronco esté apoyado en un extremo, corte 1/3 del diámetro a partir de la parte inferior (corte desde abajo). A continuación, realice el corte final cortando desde arriba para encontrar el primer corte.

Cuando el tronco está apoyado en ambos extremos, corte 1/3 del diámetro de la parte superior (overbuck). A continuación, realice el corte final cortando desde arriba 2/3 más abajo para encontrar el primer corte.

Cuando se realice el corte en una pendiente, sitúese siempre en la parte superior del terreno detrás del tronco. Al realizar un corte transversal y para mantener el control completo, libere la presión de corte cerca del extremo del corte sin relajar la fuerza que ejerce sobre las empuñaduras de la herramienta. No deje que la cadena toque el suelo. Después de completar el corte, espere hasta que la cadena se detenga antes de mover la herramienta. Apague siempre el motor antes de pasar de un árbol a otro.

Desramado un árbol

Véase la página 280.

La poda en este contexto se refiere a quitar las ramas de un árbol talado. Al podar, deje que las ramas más grandes apoyen el tronco en el suelo. Quite las ramas pequeñas de un solo corte. Las ramas bajo tensión deben cortarse desde la parte inferior hacia arriba para evitar que se atasque la motosierra.

Corte de ramas con acción de resorte

Véase la página 280.

Una rama con acción de resorte es cualquier tronco, rama, tocón con raíz o árbol joven que está curvado con tensión bajo la acción de otra pieza de madera que, cuando se corta o se retira, libera la rama que recupera bruscamente su posición original.

En un árbol caído, es muy probable que un tocón con raíces vuelva de golpe a su posición vertical al realizar el

corte de tronzo para separar el tronco del tocón. Tenga mucho cuidado con las ramas con acción de resorte, porque son peligrosas. No intente cortar ramas dobladas o troncos bajo tensión a menos que esté capacitado profesionalmente y sea competente para hacerlo.

TRANSPORTE Y ALMACENAMIENTO

- Detenga el motor, active el freno de la cadena, desconecte el cable de la bujía y deje que se enfríe antes de guardar o transportar la herramienta.
- Limpie todo el material extraño que pueda permanecer en el producto.
- Vacíe completamente el depósito de combustible en un contenedor de gasolina homologado. Recuerde volver a colocar y ajustar correctamente la tapa de la mezcla de combustible.
- Deje funcionar el motor hasta que se detenga. De esta manera se eliminará toda la mezcla de combustible que, en caso contrario, podría endurecerse y dejar una capa viscosa en las paredes interiores del circuito de combustible.
- Vacíe todo el aceite del tanque de lubricación de la espada y la cadena en un recipiente homologado para contener aceite. Recuerde volver a colocar y ajustar correctamente la tapa del lubricante de la cadena.
- Coloque siempre la protección de la barra de guía antes de guardar el producto o durante su transporte.
- Guarde en una zona seca y bien ventilada, a la que no puedan acceder los niños. Evite el contacto con agentes corrosivos tales como productos químicos de jardinería o sales descongelantes. No almacenar al aire libre.
- Active siempre el freno de la cadena para que no pueda moverse la cadena de la sierra al transportar el producto en distancias cortas (de un área de trabajo a otra).
- Asegúrese siempre de que el producto no se mueva ni cae al transportarlo para evitar lesiones o daños al producto.
- No lleve ni transporte el producto mientras esté funcionando.

Respete toda la legislación nacional y local sobre seguridad para el almacenamiento y la manipulación de la gasolina. Utilice el combustible sobrante en otros equipos con motor de dos tiempos.

MANTENIMIENTO

Mantenga siempre el producto en buen estado de funcionamiento.

⚠ ADVERTENCIA

Utilice sólo piezas y accesorios de recambio originales del fabricante. Si no lo hace podría ocurrir un mal funcionamiento, podrían producirse daños o podría quedar anulada la garantía.

⚠ ADVERTENCIA

Las reparaciones requieren tener mucho cuidado y conocimiento y sólo debe realizarse por un técnico de servicio calificado. Para operaciones de mantenimiento y reparaciones, lleve el producto al centro de servicio autorizado más cercano. Al realizar una reparación, sólo use piezas de reemplazo idénticas.

⚠ ADVERTENCIA

Antes de realizar operaciones de inspección, limpieza o mantenimiento del producto, ponga el freno de la cadena y desconecte el cable de la bujía. El incumplimiento de estas instrucciones puede ocasionar heridas graves o importantes daños materiales.

- Usted puede realizar los ajustes y reparaciones descritos en este manual del usuario. Para otro tipo de reparaciones póngase en contacto con un agente de servicios autorizado.
- Las consecuencias de un mantenimiento inadecuado pueden hacer que el freno de cadena y otras características de seguridad no funcionen correctamente, aumentando así la posibilidad de lesiones graves. Mantenga la motosierra con un mantenimiento profesional y segura.
- El afilado de la cadena de manera segura es una tarea especializada. Por tanto, el fabricante recomienda encarecidamente que una cadena opaca o desgastada se sustituya por otra nueva, que se encuentra disponible en el centro de asistencia autorizado de Ryobi. El nombre de la pieza se encuentra disponible en la tabla de especificaciones de producto de este manual.
- Siga las instrucciones para lubricar, ajustar y comprobar la tensión de la cadena.
- Limpiar el producto con un paño suave seco después de cada uso.
- Verifique a intervalos frecuentes si todas las tuercas, pernos y tornillos están apretados apropiadamente para asegurarse de que el producto esté en buenas condiciones de trabajo. Cualquier pieza dañada debe ser sustituida o reparada adecuadamente por un centro de servicio autorizado.

SUSTITUCIÓN DE LA BARRA DE GUÍA Y DE LA CADENA

Véase la página 282 - 285.

1. Detenga el aparato. Use guantes de protección.
2. Suelte el freno de la cadena.
3. Afloje el botón de bloqueo de la barra de guía y retire la cubierta del piñón.
4. Retire la barra y la cadena de la herramienta.
5. Limpie la parte inferior del piñón.
6. Para cambiar la barra, afloje el tornillo del tensor de la cadena. Monte el conjunto de tensión de la cadena en la nueva barra y apriete la tuerca.
7. Coloque la barra de guía y el tensor de cadena de la motosierra. Baje la barra de guía para que el perno pase a través del orificio en la barra y en el tensor de

- cadena.
8. La motosierra debe estar orientada hacia la dirección de rotación de la cadena. Si están orientadas hacia atrás, dé la vuelta a la cadena.
 9. Coloque el lazo alrededor del piñón de arrastre. Coloque los eslabones de la cadena sobre las ranuras de la barra. En caso necesario, gire el tensor de la cadena para aplicar tensión sobre la cadena; esto ayudará a mantenerla en su sitio.
 10. Vuelva a colocar la tapa del piñón.
 11. Ajuste la tensión de la cadena. Consulte la sección "Ajuste de la tensión de la cadena".

LIMPIEZA DEL FILTRO DE AIRE

Véase la página 290.

1. Detenga el aparato. Asegúrese de que el freno de la cadena está en posición de frenado.
1. Afloje el botón de bloqueo de la tapa del filtro de aire y retírelo del producto.
2. Retire el filtro de aire.
3. Elimine el polvo y la suciedad del filtro de aire con un cepillo. Si es necesario, separe el filtro de aire con un destornillador de punta plana y limpie el interior.
4. Vuelva a colocar la tapa del filtro de aire y apriete el botón de bloqueo.

LIMPIEZA DE LA PROTECCIÓN CONTRA CHISPAS

Véase la página 291.

⚠ ADVERTENCIA

El silenciador está caliente durante y después de la utilización del producto. Para evitar lesiones graves, mantenga el cuerpo alejado del silenciador durante y después de la utilización del producto.

1. Detenga el aparato. Asegúrese de que el freno de la cadena está en posición de frenado. Espere a que el silenciador se enfríe.
2. Retire el tornillo que sujeta la tapa del silenciador al protector y, a continuación, retire las dos tuercas de la tapa del silenciador.
3. Retire la cubierta del silenciador.
4. Retire el protector contra chispas. Limpie la pantalla de la protección contra chispas con un pequeño cepillo de alambre.
5. Vuelva a colocar la cubierta del silenciador. Para cambiar la cubierta del silenciador, repita estos pasos en orden inverso.

⚠ ADVERTENCIA

La púa de tope es una característica de seguridad del producto. Fijela con el tornillo adecuado antes de volver a colocar la cubierta del silenciador. El incumplimiento de esta instrucción puede resultar en graves lesiones o la muerte.

INSPECCIONAR Y LIMPIAR EL FRENO DE CADENA

Véase la página 294.

- Mantenga siempre limpio el mecanismo de freno de la cadena cepillando suavemente la conexión para

- mantenerla libre de suciedad.
- Compruebe siempre el funcionamiento del freno de la cadena tras limpiarlo.
- Consulte la sección "Funcionamiento – Comprobar y utilizar el freno de la cadena" de este manual para más información.

AJUSTE DE LA VELOCIDAD DEL MOTOR Y EL CARBURADOR

⚠ ADVERTENCIA

Un carburador mal ajustado puede aumentar el riesgo de lesiones, accidentes mortales o daños en el producto. Para ajustar el carburador, lleve el producto a un centro de servicio autorizado.

PROGRAMA DE MANTENIMIENTO

Revisión diaria	
Mezcla de combustible	Antes de cada uso
Lubricación de la barra	Antes de cada uso
Tensión de la cadena	Antes de cada uso y con frecuencia
Acoplamiento del embrague (sin movimiento de la cadena al ralentí)	Antes de cada uso
Filo de la cadena	Antes de cada uso, inspección visual
Si hay piezas dañadas	Antes de cada uso
Si hay sujetadores sueltos	Antes de cada uso
Si hay piezas sueltas	Antes de cada uso
Funcionamiento del freno de cadena	Antes de cada uso
Para fugas de combustible	Antes de cada uso

INSPECCIONAR Y LIMPIAR

Barra	Antes de cada uso
Sierra completa	Después de cada uso
Filtro de aire	Cada 5 horas*
Freno de la cadena	Cada 5 horas*
Reemplazo del filtro de combustible	Anual
Reemplazo del filtro de combustible	Anual

*Horas de funcionamiento

RIESGOS RESIDUALES:

Incluso cuando se utiliza el producto según las instrucciones, sigue siendo imposible eliminar por completo ciertos factores de riesgo residuales. Los siguientes

peligros pueden surgir en el uso y el operador debe prestar especial atención para evitar lo siguiente:

- Lesiones por vibración. Utilice siempre la herramienta adecuada para el trabajo, utilice los mangos pertinentes y limite el tiempo de trabajo y de exposición.
- La exposición al ruido puede causar pérdidas de audición. Use protección para los oídos y limite el tiempo de exposición.
- Contacto con los dientes de sierra de la motosierra expuestos (riesgo de cortes).
- Movimiento brusco o retroceso violento e imprevisto de la barra guía (riesgo de cortes).
- Piezas eyectadas por la motosierra (peligro de corte/inyección).
- Piezas proyectadas de la pieza de trabajo (virutas de madera, astillas).
- Inhalación de serrín y de partículas o emisiones del motor de gasolina.
- Contacto de la piel con gasolina o aceite.

REDUCCIÓN DEL RIESGO

Se ha informado de que las vibraciones de las herramientas de mano puede contribuir a una condición llamada síndrome de Raynaud en ciertos individuos. Los síntomas pueden incluir hormigueo, entorpecimiento y decoloración de los dedos, generalmente aparentes cuando tiene lugar una exposición al frío. Se considera que los factores hereditarios, exposición al frío y a la humedad, dieta, tabaquismo y prácticas de trabajo contribuyen al desarrollo de estos síntomas. Existen medidas que pueden ser tomadas por el operador para reducir los efectos de vibración:

- Mantenga su cuerpo caliente durante el tiempo frío. Al manipular el producto, utilice guantes para mantener las manos y las muñecas calientes. Hay informes que indican que el tiempo frío es un gran factor que contribuye al síndrome de Raynaud.
- Después de cada período de funcionamiento, realice ejercicios para aumentar la circulación sanguínea.
- Haga pausas de trabajo frecuentes. Limite la cantidad de exposición por día.
- Los guantes protectores disponibles en tiendas especializadas están específicamente diseñados para el uso de motosierras y proporcionan protección junto con un buen agarre. Los guantes también reducen el efecto de la vibración del mango.
- Estos guantes deben cumplir la norma EN381-7 y poseer el marcado CE.

Si siente alguno de los síntomas de esta enfermedad, interrumpa inmediatamente el uso y consulte a su médico estos síntomas.

⚠ ADVERTENCIA

El uso prolongado de una herramienta puede causar o agravar lesiones. Al utilizar cualquier herramienta durante períodos prolongados asegúrese de tomar descansos regulares.

CONOZCA SU PRODUCTO

Véase la página 271.

PIEZAS

1. Cadena
2. Espada
3. Protección de la mano delantera/Freno de la cadena
4. Mango delantero
5. Cubierta del filtro de aire
6. Tirador del arrancador
7. Mango trasero
8. Espiga del parachoques
9. Tapa del silenciador
10. Tapón de mezcla de combustible
11. Tapón de aceite de la cadena
12. Interruptor de encendido
13. Liberador del gatillo
14. Gatillo del acelerador
15. Cebador
16. Revisa la palanca del estrangulador
17. Llave de combinación
18. Cubierta de la rueda dentada
19. Pasador de la cadena
20. Anillo de ajuste del tensor de la cadena
21. Dispositivo de bloqueo de la barra de guía
22. Cubierta de la barra de guía

DISPOSITIVOS DE SEGURIDAD

CADENA DE BAJO RETROCESO

Una motosierra con poco nivel de retroceso ayuda a reducir la posibilidad de retroceso.

Las puntas (limitadores de profundidad) situadas delante de cada cuchilla reducen la fuerza de la reacción de retroceso evitando que las cuchillas se claven con demasiada profundidad en la zona de retroceso. Utilice solamente combinaciones de cadena y barras de guía recomendadas por el fabricante.

Cuando las cadenas se afilan, pierden parte de sus cualidades de bajo retroceso, por lo que se requiere mayor precaución. Por su seguridad, sustituya las cadenas de la sierra cuando disminuya el rendimiento de corte.

ESPIGA DEL PARACHOQUES

La espiga integral del parachoques puede usarse como pivote al hacer un corte. Ayuda a mantener el cuerpo de la motosierra estable durante el corte. Al cortar, empuje la herramienta hacia adelante hasta que las púas se claven en el borde de la madera y, a continuación, moviendo el mango trasero arriba o abajo en la dirección de la línea de corte, puede ayudar a aliviar la tensión física de corte.

ESPADAS

Por lo general, el retroceso es menor con una espada con punta de radio reducido. Utilice solamente combinaciones de cadena y barras de guía recomendadas por el fabricante. El uso de barras de guía no recomendadas aumenta el riesgo de pérdida de control durante el aserrado. Compruebe regularmente la tensión de la cadena. Al cortar ramas más pequeñas (con menor longitud que la barra guía), existen más posibilidades de que la cadena sea proyectada si la tensión no es correcta.

FRENO DE LA CADENA

El freno de la cadena está diseñado para detener rápidamente la rotación de la cadena. Cuando la palanca del freno/protección de la mano se presiona hacia la espada, la cadena debe detenerse inmediatamente. El freno de la cadena no evita el retroceso. Sólo reduce el riesgo de lesiones en caso de que la barra de la cadena entre en contacto con el cuerpo del operario durante un retroceso. El freno de cadena debe probarse antes de cada para comprobar que funciona correctamente en posición de funcionamiento y de frenado.

PASADOR DE LA CADENA

Un receptor de cadena evita que la motosierra rebote hacia el operario si la cadena de la sierra se suelta o se rompe.

SÍMBOLOS EN EL PRODUCTO



Advertencia



Lea y comprenda todas las instrucciones antes de manipular el producto, respete las advertencias y las instrucciones de seguridad.



Póngase protección para los ojos, los oídos y la cabeza.



Utilice calzado de seguridad antideslizante cuando utilice este producto.



Use guantes de trabajo resistentes, antideslizantes.



Tenga cuidado con el rebote de la sierra y evite el contacto con el extremo de la espada.



Sostenga y utilice la motosierra con ambas manos.



No utilice la motosierra sosteniéndola con una sola mano.



Esta herramienta responde a todas las normas reglamentarias del país de la UE donde se ha comprado.



Utilice gasolina sin plomo para automóviles con un índice de octano de 91 ((R+M)/2) o superior.



Utilice aceite de 2 tiempos para motores refrigerados por aire.



Mezcle bien la mezcla de combustible y también cada vez que vaya a rellenar.



Lubrique la barra y la cadena cada vez que ponga combustible al producto.



Coloque el freno de la cadena en posición de funcionamiento (RUN).



Coloque el freno de la cadena en posición de frenado (BRAKE).



Coloque el interruptor de arranque en posición ON.



Apriete a fondo y suelte el CEBADOR 10 veces.



Coloque la palanca del estrangulador en posición "FULL".



Tire de la cuerda del arrancador hasta que se oiga la primera explosión del motor (no más de cinco tiradas).



Coloque la palanca del estrangulador en la posición "HALF".



Tire de la palanca de arranque hasta que el motor arranque.



Suelte el disparador del gatillo y el gatillo del acelerador.



Certificado EAC de conformidad



El mejor nivel de potencia sonora es de 112 dB



Lubricante para la barra y cadena



Gasolina sin plomo y lubricante de dos tiempos.






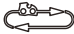


Posición de funcionamiento



Cebador en posición Half



Posición "FULL"

	Cierre
	Desbloquear
	Gire para ajustar la tensión de la cadena + = Apriete la cadena - = Aflojar de la cadena
	Dirección de movimiento de la cadena (Marca debajo de la tapa del piñón)
	Modo normal
	Modo anticongelante
T	Ajuste de la velocidad de ralentí
H	Aguja de ajuste de alta velocidad
L	Aguja de ajuste de baja velocidad

	Use protección para la parte superior del cuerpo.
	Use protección para las piernas.
	Detenga el aparato.
	Bloquee la tapa de acceso al filtro.
	Abra la tapa de acceso al filtro.

Los siguientes símbolos y sus significados pretenden explicar los niveles de riesgo asociados a este producto.








⚠ PELIGRO
Indica una situación potencialmente peligrosa que, de no evitarse, puede ocasionar la muerte o heridas de gravedad.

⚠ ADVERTENCIA
Indica una situación peligrosa que, de no evitarse, puede ocasionar la muerte o heridas de gravedad.

⚠ ADVERTENCIA
Indica una situación potencialmente peligrosa que, de no evitarse, puede ocasionar heridas leves.

ADVERTENCIA
Sin símbolo de alerta de seguridad
Indica una situación que puede causar daños en las cosas.

SÍMBOLOS EN ESTE MANUAL

	Mezcle el combustible al aire libre en una zona sin chispas ni llamas.
	No fume cuando mezcle combustible o rellene el depósito de combustible.
	Las piezas o accesorios se venden por separado
	Los productos eléctricos de desperdicio no deben desecharse con desperdicios caseros. Por favor recíclelos donde existan dichas instalaciones.
	Observación
	Advertencia!
	Use protección ocular y para el rostro.

E' stata data massima priorità a sicurezza, prestazioni e affidabilità nel design di questo Motosega a benzina.

UTILIZZO RACCOMANDATO

Prodotto adatto solo per essere utilizzato all'esterno in aree ben ventilate. Per ragioni di sicurezza, l'utensile deve essere adeguatamente controllato utilizzando sempre due mani.

Questo utensile è progettato per tagliare rami, fusti, tronchi, e rami di un diametro determinato dalla lunghezza di taglio della barra di guida. Questo utensile è adatto solo a tagliare legname. Il prodotto dovrà essere utilizzato solo per lavori domestici da adulti che abbiano ricevuto le adeguate istruzioni sui rischi e misure/azioni preventive dovranno essere prese mentre lo si utilizza.

Non utilizzare il prodotto per scopi non indicati sopra. Il prodotto non deve essere utilizzato per lavori professionali di taglio alberi. Il prodotto non dovrà essere utilizzato da bambini o da persone che non indossino un adeguato equipaggiamento anti-infortunistico e abiti di protezione.

⚠ AVVERTENZA

Quando si utilizza questo prodotto, seguire eventuali norme di sicurezza. Per la sicurezza dell'utente e quella degli osservatori, leggere e comprendere le istruzioni prima di mettere in funzione il prodotto. L'utente deve partecipare a un corso professionale organizzato sulla sicurezza nell'utilizzo, sulle azioni preventive, sul pronto soccorso e la manutenzione delle motoseghe. Conservare le istruzioni per eventuali riferimenti futuri.

⚠ AVVERTENZA

Le motoseghe sono utensili potenzialmente pericolosi. Incidenti con motoseghe risultano spesso in perdita di parti del corpo o morte. La motosega non è l'unico pericolo. Anche rami in caduta, alberi tagliati e tronchi rotolanti possono uccidere. Il legno marcio o malato può costituire un ulteriore pericolo. Valutare la propria capacità nel completare il compito in maniera sicura. Nel dubbio, lasciar lavorare un professionista o medico degli alberi.

AVVERTENZE GENERALI DI SICUREZZA

- Alcune regioni hanno norme che limitano l'utilizzo del prodotto. Rivolgersi alle autorità locali per eventuali consigli.
- Tenere il prodotto lontano dalla portata dei bambini e di persone che non ne conoscono l'uso o le istruzioni di funzionamento. Leggi locali possono limitare l'età dell'operatore.
- Assicurarsi prima di ciascun utilizzo che tutti i comandi e i dispositivi di sicurezza funzionino correttamente. Non utilizzare l'utensile se l'interruttore "off" (spento) non arresta il motore.
- Non avviare il motore all'interno o in una zona poco ventilata; respirare fumi di scarico può uccidere.
- Pulire l'area di lavoro prima di ogni utilizzo, una zona

di lavoro sporca e disordinata può essere causa di incidenti.

- Indossare protezione occhi e orecchie, guanti resistenti, scarpe anti-infortuniche con soles anti-scivolo ed elmetto di protezione quando si mette in funzione il prodotto. Utilizzare una mascherina per il volto in caso di polvere nell'ambiente in cui si opera.
- Non indossare abbigliamento con parti svolazzanti, pantaloni corti o gioielli di alcun tipo.
- Assicurare i capelli lunghi al di sopra delle spalle per evitare che rimangano impigliati nelle parti in movimento.
- Fare attenzione a oggetti scagliati, in volo o in caduta. Tenere eventuali osservatori (soprattutto bambini e animali) ad una distanza di almeno 15 m dall'area di lavoro.
- Non mettere mai in funzione il prodotto in un'atmosfera esplosiva o infiammabile.
- Reggere saldamente il dispositivo da entrambi i manici mentre si utilizza il prodotto.
- Fare sempre attenzione, osservare le operazioni di lavoro e utilizzare senso comune quando si mette in funzionamento l'unità. Non mettere in funzione il prodotto se stanchi, malati o sotto l'influenza di alcool, droghe e medicinali. Una perdita di concentrazione mentre si utilizza la macchina potrà causare gravi lesioni alla persona.
- Norme di sicurezza generali non utilizzare questo apparecchio in una zona scarsamente illuminata. L'area di lavoro deve essere pulita per essere in grado di individuare potenziali rischi.
- L'utilizzo di dispositivi di protezione ridurrà la capacità di ascoltare eventuali segnali d'allarme (grida o avvertimenti). L'operatore dovrà prestare attenzione a ciò che accade nella zona di lavoro.
- Mettere in funzione utensili simili troppo vicino al proprio corpo aumenterà il rischio di lesioni all'udito e i rischi potenziali per le persone che entrano nell'area di lavoro.
- Mantenere sempre un appoggio saldo e l'equilibrio. Non protendersi. Protendersi potrà causare una perdita di equilibrio o esporre a superfici calde aumentando il rischio di rimbalzi.
- Tenere tutte le parti del proprio corpo lontane dalle parti in movimento.
- Non toccare la zona attorno al silenziatore o al motore dell'unità, queste parti si surriscaldano durante il funzionamento.
- Controllare l'utensile prima di ogni utilizzo. Assicurarsi che tutti i controlli compreso il freno della catena funzionino correttamente. Controllare parti allentate, assicurarsi che tutti gli schermi e i manici siano correttamente collegati e assicurati. Sostituire le parti danneggiate prima dell'utilizzo.
- Non modificare l'utensile in alcun modo né utilizzare parti e accessori non raccomandati dalla ditta produttrice.

AVVERTENZA

Se il prodotto cade, subisce impatti pesanti o inizia a vibrare in maniera anomala, arrestarlo e controllare eventuali danni per identificare la causa delle vibrazioni. Riparare eventuali danni o far sostituire i pezzi da un centro servizi autorizzato.

- Quando si miscela carburante o il riempimento del serbatoio del carburante, non fumare e tenere a 10 metri di distanza da qualsiasi fonte di accensione.
- Miscelare e conservare il carburante in una tanica idonea alla benzina.
- Miscelare il carburante all'aperto, in assenza di scintille o fiamme. Ripulire qualsiasi versamento. Spostarsi a 10 m (30 piedi) dalla zona di ricarica carburante prima di avviare il motore.
- Arrestare il motore e lasciarlo raffreddare prima di ricaricare l'utensile di carburante, prima di riporre o trasportare l'utensile.
- Ricordarsi di serrare correttamente tutti i tappi del serbatoio/contenitore carburante dopo aver ricaricato o miscelato il carburante.

AVVERTENZE DI SICUREZZA MOTOSEGA

- Montare sempre la copertura della barra di guida quando il prodotto non viene utilizzato o viene spostato e trasportato. Ciò aiuterà a ridurre il rischio di contatto accidentale con le lame affilate sulla catena. Trasportare il prodotto dal manico superiore con la barra di guida lontana dal proprio corpo.
- Familiarizzare con la propria motosega facendo tagli semplici su legno saldamente assicurato. Farlo quando la motosega non è stata messa in funzione per qualche tempo.
- Tagliare i tronchi su un cavalletto o un adeguato supporto mentre si mette in funzione il prodotto per la prima volta.
- Assicurarsi che tutti gli schermi, i manici e i respingenti dentati siano stati correttamente montati e siano in ottime condizioni.
- Gli operatori che utilizzano questo prodotto dovranno essere in ottima salute. Il prodotto è pesante quindi l'operatore deve essere in grado di reggerlo. L'operatore dovrà essere attento, avere un'ottima vista, mobilità ed equilibrio oltre a destrezza manuale. In caso di dubbi, non mettere in funzione il prodotto.
- Non porsi su una qualsiasi superficie instabile mentre si utilizza questo prodotto. Ciò include scale, impalcature e alberi, ma non solo tali supporti e strutture. Tenere sempre entrambe le mani sul prodotto.
- Non iniziare a utilizzare il prodotto senza essersi prima assicurati prima un'area di lavoro pulita, massimo equilibrio e una via di fuga ben chiara da un eventuale albero in caduta.
- Esercitare la massima cautela quando si tagliano rametti e arbusti, poiché il materiale flessibile può incunearsi nella catena e inferire un colpo di frusta all'operatore o provocargli la perdita dell'equilibrio.

- Quando si taglia un ramo sotto tensione, prestare attenzione che un possibile ritorno elastico potrebbe colpire l'operatore quando la tensione nelle fibre del legno si allenta.
- Prestare attenzione alle emissioni di gas di scarico, ai vapori di olio e alla segatura. Indossare la maschera o il respiratore se necessari.
- Non tagliare viti e/o piccoli arbusti (con un diametro inferiore a 75 mm).
- Reggere il potatore con entrambe le mani mentre è in funzione. Afferrare energicamente le impugnature della sega avvolgendovi attorno il pollice e le dita. Mettere sempre la mano destra sul manico posteriore e quella sinistra sul manico anteriore.
- Prima di avviare l'utensile, assicurarsi che la motosega non entri in contatto con eventuali oggetti. Avviare sempre il prodotto con il dispositivo del freno catena inserito (completamente spinto in avanti).
- Non modificare il prodotto in alcun modo né utilizzarlo per alimentare accessori o dispositivi non raccomandati dalla ditta produttrice dello stesso.
- Tenere sempre un kit di pronto soccorso con cerotti e bende grandi e un dispositivo per attirare l'attenzione (come un fischietto) accanto all'operatore. Tenere anche a portata di mano un kit più grande e meglio fornito.
- L'operatore potrà essere tentato di rimuovere il casco nel caso in cui non vi siano rischi di oggetti che cadono nella zona, ma ricordare che il casco e in particolare il casco con lo schermo di protezione, potranno ridurre eventuali rischi di lesioni al volto e alla testa nel caso si verifichino contraccolpi.
- Una catena non correttamente tensionata può fuoriuscire dalla barra di guida e potrebbe risultare in gravi lesioni o incidenti. La lunghezza della catena dipende dalla temperatura della catena e dall'usura della stessa. Controllare frequentemente la tensione.
- Mantenere i manici puliti, e rimuovere eventuali tracce di olio e grasso. Manici sporchi e unti sono scivolosi, e causano perdita di controllo.
- Per ridurre il rischio di lesioni associate al contatto con le parti in movimento, arrestare sempre il motore, tirare il freno della catena, rimuovere il cavo della candela e assicurarsi che tutte le parti in movimento si siano arrestate prima
 - rimuovere o pulire un eventuale blocco
 - Lasciare il prodotto incustodito
 - Installare o rimuovere gli accessori
 - Operazioni di controllo, manutenzione e lavoro sul prodotto
- la dimensione della zona di lavoro dipende dall'operazione da eseguire e dalla dimensione degli alberi o degli elementi coinvolti. Per esempio, tagliare un albero richiede un'area di lavoro più grande di quella di cui si ha bisogno per altri tipi di taglio, come per esempio tagliare un tronco in pezzi più piccoli, ecc. L'operatore deve essere attento e mantenere il controllo di tutto ciò che accade nella zona di lavoro.
- Non tagliare con il corpo allineato alla barra di guida e alla catena. In caso di contraccolpi ciò eviterà

che la catena entri in contatto con la testa o il corpo dell'operatore.

- Non muovere l'utensile avanti-indietro; lasciare che la catena faccia il suo lavoro. Mantenere la catena affilata e non spingere la catena attraverso il taglio.
- Non esercitare pressione sulla sega al termine del taglio. Essere pronti ad accollarsi il peso della motosega mentre si libera dal legno. La mancata osservanza di queste regole potrà causare gravi lesioni personali.
- Non arrestare la motosega a metà delle operazioni di taglio. Lasciare la motosega in funzione fino a che non venga rimossa dal taglio.

Equipaggiamento protettivo personale

Un equipaggiamento protettivo personale di ottima qualità come utilizzato dai professionisti aiuterà a ridurre il rischio di lesioni all'operatore. Le seguenti voci devono essere utilizzate quando si mette in funzione la motosega:

Casco di sicurezza

- deve essere conforme allo standard EN 397 ed essere contrassegnato CE

Cuffie di protezione

- deve essere conforme allo standard EN 352-1 ed essere contrassegnato CE

Protezione occhi e viso

- devono essere contrassegnate con il marchio CE e rispettare lo standard EN 166 (per gli occhiali di sicurezza) o lo standard EN 1731 (per visori con rete)

Guanti

- deve essere conforme allo standard EN 381-7 ed essere contrassegnato CE

Protezione gambe (sovrapantaloni)

- deve essere conforme allo standard EN381-5, ed essere contrassegnata dal marchio CE e fornire una protezione totale.

Stivali di sicurezza motosega

- devono rispettare lo standard EN ISO 20345:2004 ed essere contrassegnati con uno scudo che indica una motosega per indicare la compatibilità con lo standard EN 381-3. (gli utenti occasionali potranno utilizzare stivali di sicurezza con punta in acciaio con ghettoni di protezione secondo quanto indicato dallo standard EN 381-9 se il pavimento è ben equilibrato e ci sono ben pochi rischi di inciampare o rimanere impigliati nell'erba)

Giacche anti-infortunistiche per una protezione totale della parte superiore del corpo

- deve essere conforme allo standard EN 381-11 ed essere contrassegnato CE

MONTAGGIO CATENA E BARRA DI GUIDA

Vedere pagina 273, Fig. 5 - 8.

1. Arrestare il prodotto. Indossare guanti di protezione.
2. Sbloccare il freno della catena.
3. Svitare la manopola della barra di guida e rimuovere il coperchio della ruota dentata.
4. Montare il gruppo barra di guida e tensionamento catena sulla motosega. Abbassare la barra di guida in modo che il bullone passi attraverso il foro nel gruppo barra e tensionamento catena.
5. La catena della sega dovrebbe essere rivolta nella direzione della ruotazione catena. Se sono rivolti in direzione opposta, rovesciare il cerchio.
6. Posizionare la catena disposta a cerchio attorno alla ruota dentata di trazione. Posizionare i collegamenti di trasmissione della catena nel solco della barra. Se necessario, far ruotare il gruppo tensionamento catena per applicare tensionamento alla stessa il che aiuterà a mantenerla a posto.
7. Riposizionare il coperchio della ruota dentata.
8. Regolare la tensione della catena. Far riferimento alla sezione "Regolare la tensione della catena".

REGOLAZIONE DELLA TENSIONE DELLA CATENA

Vedere pagina 286.

1. Allentare la manopola di blocco della barra di guida girandola in senso antiorario.
2. Per aumentare la tensione della catena, girare l'anello di regolazione tensionatore catena in senso orario e controllare frequentemente la tensione della catena. Per ridurre la tensione della catena, girare l'anello di regolazione tensionatore catena in senso anti-orario e controllare la tensione della catena frequentemente.
3. La tensione della catena è corretta quando lo spazio tra la lama nella catena e la barra è tra i 3 mm e i 4 mm. Estrarre la catena nel centro del lato inferiore della barra rivolta verso il basso (lontano dalla barra) e misurare la distanza tra la barra e i dispositivi di taglio della catena.
4. Serrare la manopola di blocco della barra di guida girandolo in senso orario.

NOTA: La temperatura della catena aumenta durante le normali operazioni facendo allungare la catena. Verificarne spesso la tensione e tenderla quando necessario. Se si regola la tensione della catena quando è calda, una volta raffreddata potrebbe risultare eccessivamente tesa. Assicurarsi che il tensionamento della catena sia corretto e regolato come indicato in queste istruzioni.

EN
FR
DE
ES
IT
NL
PT
DA
SV
FI
NO
RU
PL
CS
HU
RO
LV
LT
ET
HR
SL
SK
BG

MONTAGGIO

⚠ AVVERTENZA

Nel caso in cui un componente manchi o sia danneggiato, non tentare di utilizzare l'apparecchio prima di averlo sostituito. La mancata osservanza di queste avvertenze potrà causare gravi lesioni personali.

FUNZIONAMENTO PRODOTTO

CARBURANTE E RIFORNIMENTO

Manipolazione sicura del carburante

⚠ AVVERTENZA

Arrestare il motore prima di rifornirlo di carburante. Non aggiungere mai carburante a un attrezzo a regime o quando il motore è caldo. Allontanarsi di almeno 9 m (30 ft) dalla stazione di rifornimento prima di avviare il motore. Non fumare! La mancata osservanza di questa precauzione può portare a gravi infortuni.

⚠ AVVERTENZA

Verificare che non esistano perdite di carburante. Se si riscontrassero, correggerli prima di utilizzare il prodotto per prevenire incendi o ustioni.

- Manipolare il carburante con attenzione, altamente infiammabile.
- Ricaricare il prodotto di carburante sempre all'esterno lontano da potenziali fonti di innesco, non inalare i vapori del carburante.
- Non mettere a contatto la benzina o l'olio con la pelle. In caso di contatto, lavarsi immediatamente con acqua e sapone.
- Tenere benzina e olio lontani dagli occhi. In caso di contatto con gli occhi, risciacquarli subito con abbondante acqua pulita. Se l'irritazione persiste, rivolgersi immediatamente a un medico.

Miscela del carburante

- Questo apparecchio funziona con un motore a 2 tempi, che necessita di una miscela di benzina e olio di sintesi per 2 tempi (rapporto: Premiscelare benzina verde con olio per motori a 2 tempi in una tanica pulita idonea per la benzina.
- Questo motore è omologato per il funzionamento con benzina verde intesa per l'uso negli autoveicoli con un grado di ottani pari a 91 ((R + M) / 2) o superiore.
- Non utilizzare altri tipi di miscela benzina/olio forniti dai distributori. Compresa la miscela già pronta per motorini e motociclette.
- Utilizzare esclusivamente un olio di sintesi per 2 tempi per motori raffreddati ad aria. Non utilizzare olio motore per autovetture né olio per 2 tempi per fuoribordo.
- Mescolare 2% di olio nella benzina. Un rapporto di 50:1.
- Mescolare completamente il combustibile e ripetere l'operazione ogni volta prima di riempire il serbatoio.
- Mescolarlo in piccole quantità. Quanto basta per un periodo di utilizzo entro 30 giorni. Si raccomanda di utilizzare un lubrificante a 2 cicli con stabilizzatore di carburante.

NOTA: Danni al sistema carburante o problemi di prestazioni risultanti dall'utilizzo di carburante ossigenato contenente percentuali superiori a quelle indicate sopra

non saranno coperti da garanzia.

Riempire il serbatoio del carburante

Vedere pagina 273.

- Pulire la superficie circostante il tappo del serbatoio per impedire contaminazioni.
- Allentare lentamente il tappo del carburante.
- Versare la miscela nel serbatoio prestando la massima attenzione. Evitare versamenti.
- Prima di richiudere il tappo, pulire ed ispezionare la guarnizione.
- Chiudere immediatamente il tappo del serbatoio a mano. Ripulire qualsiasi versamento.

NOTA: È normale che il motore ad emettere fumo durante e dopo il primo utilizzo.

AGGIUNGERE OLIO LUBRIFICANTE PER CATENE

Vedere pagina 273.

⚠ AVVERTENZA

Non lavorare mai senza lubrificante sulla catena. Se la catena della sega gira senza lubrificante, la barra di guida e la catena della sega potranno essere danneggiate. È essenziale controllare l'indicatore del livello dell'olio frequentemente ogni volta prima di iniziare ad utilizzare la motosega.

1. Pulire attorno al tappo dell'olio per prevenire eventuale contaminazione.
2. Svitare e rimuovere il tappo dal serbatoio dell'olio.
3. Versare l'olio nel serbatoio e monitorare l'indicatore livello dell'olio. Assicurarsi che non entri sporco nel serbatoio dell'olio mentre si riempie lo stesso di olio.
4. Rimettere il tappo dell'olio e serrare. Rimuovere eventuali tracce di olio versato.
5. Un serbatoio pieno di olio permetterà di utilizzare la motosega per 20 - 40 minuti.

NOTA: Una catena e un sistema di lubrificazione correttamente funzionanti scaricheranno normalmente olio dalla catena durante l'utilizzo. Per controllare la funzionalità della catena e del sistema di lubrificazione della barra, puntare la punta della catena verso una superficie leggera leggermente colorata come un giornale. Si potrà individuare una evidente scia di olio dopo breve tempo.

Olio lubrificante per catene raccomandato

- La ditta produttrice raccomanda di utilizzare solo olio lubrificante per motoseghe Ryobi. (Disponibile presso un centro servizi autorizzato)

AVVIO DEL PRODOTTO

Il metodo di avvio differisce a seconda del motore freddo o caldo.

⚠ AVVERTENZA

L'operatore deve trovarsi a sinistra rispetto all'asse della catena. Non mettersi a cavalcioni della sega o della catena e non chinarsi al di sotto dell'asse della catena.

- Posizionare il prodotto sul pavimento e assicurarsi che non vi siano oggetti o ostruzioni nell'immediata vicinanza che potranno entrare in contatto con la barra e la catena.
- Afferrare saldamente l'impugnatura anteriore con la mano sinistra e posare il piede destro sulla base dell'impugnatura posteriore.

NOTA: Nelle seguenti istruzioni, quando la leva dell'aria viene tirata completamente e posizionata sulla posizione START, la valvola a farfalla è impostata sull'avvio. Per resettare la valvola a farfalla nella posizione RUN, premere e rilasciare il grilletto della valvola a farfalla.

Per avviare un motore freddo:

Vedere le pagine 272 - 273.

1. Girare l'interruttore sulla posizione ON (acceso).
2. Assicurarsi che il freno della catena si trovi nella posizione BRAKE tirando in avanti la leva/il paramani.
3. Premere e rilasciare il BULBO DI INNESCO per 10 volte.
4. Posizionare la leva di avviamento sulla posizione START (AVVIO).
5. Quando la temperatura è superiore ai 10°C, tirare la leva di avviamento fino a che il motore non si mette in funzione, ma non più di 3 volte. Quando la temperatura è inferiore a 10°C, tirare la leva di avviamento fino a che il motore non venga avviato, ma non più di 5 volte.
6. Aprire la leva dell'aria "a metà". Tirare la leva di avvio fino a che non si avvia il motore.
7. Rilasciare l'interruttore del grilletto e premere la valvola a farfalla, quindi rilasciare quest'ultima per riportare il motore al minimo.
8. Lasciare che il prodotto funzioni al minimo per 15 - 30 secondi.
9. Prima di accelerare il motore o prima di tagliare legno, assicurarsi che il freno della catena si trovi nella posizione "avvio" tirando indietro la leva del freno/il paralame.

⚠ ATTENZIONE

Se non si rilascia parzialmente l'acceleratore quando la leva del freno è in posizione di frenatura, l'unità potrebbe subire danni irreparabili. Non premere e trattenere la leva acceleratore mentre il freno è innestato.

Per avviare un motore caldo:

Vedere pagina 281.

1. Girare l'interruttore sulla posizione ON (acceso).
2. Assicurarsi che il freno della catena si trovi nella posizione BRAKE tirando in avanti la leva/il paramani.
3. Premere la pompetta 10 volte.
4. Tirare la leva dell'aria completamente posizionandola su "START" (avvio) e quindi riportarla sulla posizione "RUN" (funzionamento).
5. Tirare la leva di avvio fino a che il motore non funzioni, ma non più di 5 volte. Rilasciare l'interruttore del grilletto e premere la valvola a farfalla, quindi rilasciare quest'ultima per riportare il motore al minimo. Se il motore non si avvia dopo 5 tentativi, utilizzare la procedura di avvio motore a freddo.

6. Prima di accelerare il motore o prima di tagliare legno, assicurarsi che il freno della catena si trovi nella posizione "avvio" tirando indietro la leva del freno/il paralame.

SELEZIONARE MODALITÀ DI FUNZIONAMENTO DIVERSE

Vedere pagina 287.

Il prodotto è dotato di modalità anti-ghiaccio per prevenire la formazione di ghiaccio all'interno del carburatore durante operazioni di lavoro in temperature inferiori a ≤5 °C. T

La finestra di ventilazione sul lato destro del coperchio del filtro dell'aria può essere riposizionata per permettere all'aria calda di passare al motore e prevenire la formazione del ghiaccio nel carburatore.

⚠ AVVERTENZA

Se non si sposta l'interruttore dalla modalità normale alla modalità anti-ghiaccio in temperature inferiori a ≤5 °C si ridurrà la potenza del motore o il motore non si avvierà. Ricordarsi sempre di riportare il motore alla normale modalità di funzionamento quando non c'è rischio di che si formi del ghiaccio all'interno del carburatore. Se non si sposta l'interruttore dalla modalità anti-ghiaccio alla modalità normale in temperature normali, il motore potrà non avviarsi.

ARRESTO DEL MOTORE

Rilasciare la leva acceleratore per far sì che il motore torni al minimo. Per arrestare il motore, portare l'interruttore di accensione in posizione "O". Non adagiare la sega a catena a terra se la catena è ancora in movimento. Per una maggiore sicurezza, innestare il freno quando la sega non è in uso.

Qualora l'interruttore di accensione non riesca ad arrestare la sega, tirare la leva dello starter in posizione massima (Starter al massimo) e innestare il freno per arrestare il motore. Qualora l'interruttore di accensione non riesca ad arrestare la sega in posizione "O", farlo riparare prima di riutilizzare la sega, per prevenire possibili condizioni pericolose ed eventuali infortuni.

NOTA: Una volta finito di utilizzare il prodotto, allentare la pressione del serbatoio svitando e quindi serrando di nuovo i tappi del lubrificante catena e del carburante. Lasciare raffreddare il motore prima di riporre l'attrezzo.

REGGERE IL PRODOTTO

Vedere pagina 273.

Reggere sempre la motosega con la mano destra sul manico posteriore e la mano sinistra su quello anteriore. Afferrare entrambi i manici con i pollici e le dita attorno ai manici. Assicurarsi che la mano sinistra regga il manico anteriore in modo che il pollice sia nella parte sottostante.

CONTROLLO MESSA IN FUNZIONE DEL FRENO CATENA

1. Inserire il freno della catena ruotandolo con la mano sinistra attorno al manico anteriore. Con il retro della mano, spingere la leva del freno della catena/lo schermo di protezione mani verso la barra mentre

la catena ruota rapidamente. Mantenere sempre entrambe le mani sui manici del prodotto.

2. Riportare il freno della catena nella posizione di Avvio afferrando la parte superiore della leva del freno catena/ schermo mani e spingerla verso il manico anteriore fino a che non si senta uno scatto.

AVVERTENZA

Se il freno della catena non blocca la catena immediatamente, o se non rimane bloccato nella posizione di funzionamento automaticamente senza che l'operatore lo regga in questa posizione, far controllare la sega da un centro assistenza autorizzato prima di utilizzare l'utensile.

AVVERTENZA

Quando si rilascia la valvola a farfalla e il motore funziona alla velocità minima, la motosega non deve muoversi. Se la motosega continua a muoversi, potrà causare gravi lesioni all'operatore. Non utilizzare il prodotto, riportarlo presso un centro servizi autorizzato e farlo regolare da un professionista.

CONTROLLARE LA FRIZIONE

1. Sbloccare il freno della catena tirando la leva del freno catena/il paralame verso il manico anteriore fino a che non si senta un rumore simile a un click.
2. Lasciare che il motore funzioni al minimo. Assicurarsi che il freno della catena non sia innestato. Se la catena gira durante l'esecuzione al minimo, la frizione può essere danneggiata. Non utilizzare la macchina. Riportare presso un centro servizi autorizzato per regolazioni professionali.
3. Premere la valvola a farfalla a metà e avviare il prodotto a una velocità media. La motosega ruoterà senza problemi se la frizione è in buone condizioni.

Cause e prevenzione di eventuali rimbalzi:

Può verificarsi un contraccolpo se la punta della barra di guida entra a contatto con un oggetto o se la catena si incastra e si blocca nel legno durante il taglio.

Il contatto con la punta potrà causare una reazione improvvisa, facendo scattare la barra di guida indietro e verso l'operatore.

Tirare la catena lungo la parte superiore della barra di guida potrà spingere l'utensile rapidamente verso l'operatore.

Queste reazioni potranno causare una perdita di controllo della macchina il che potrà risultare in gravi lesioni alla persona. Non affidarsi soltanto ai dispositivi di sicurezza predisposti sulla sega. L'operatore deve adottare altre misure di sicurezza per garantire che le operazioni di taglio non siano pericolose e non portino a infortuni.

Il contraccolpo è il risultato di un utilizzo scorretto dell'utensile e/o di procedure o condizioni di funzionamento non adeguate e potrà essere evitato prendendo le adeguate precauzioni, come indicato di seguito:

- **Mantenere una presa salda, con i pollici e le dita attorno al manico della motosega e con entrambe le mani sulla motosega, posizionando il corpo**

e il braccio in moa da resistere alla forza del contraccolpo. Le forze del contraccolpo non possono essere controllate dall'operatore, se vengono prese adeguate precauzioni. Non lasciar andare la motosega.

- **Non protendersi e non tagliare al di sopra dell'altezza della spalla.** Ciò aiuterà a prevenire il contatto non intenzionale con la punta e garantirà un controllo migliore della motosega in situazioni inaspettate.
- **Utilizzare solo barre e catene di ricambio specificate dalla ditta produttrice.** Sostituzioni non corrette di barre e catene potranno causare rotture e/o contraccolpi.
- **Seguire le istruzioni di manutenzione della ditta produttrice per la motosega.** Diminuire l'altezza della profondità dell'indicatore potrà aumentare il rischio di contraccolpi.

SPINTA E TRAZIONE

Vedere pagina 279.

La forza di reazione è sempre contraria alla direzione di movimento della catena. L'operatore dovrà essere pronto a controllare la tendenza della macchina ad allontanarsi (movimento in avanti) quando si taglia sulla parte inferiore della barra e a spingere indietro (verso l'operatore) quando si taglia lungo l'estremità inferiore.

MOTOSEGA INCASTRATA NEL TAGLIO

Arrestare la motosega e fare in modo che sia sicura. Non tentare di forzare la catena e la barra fuori dal taglio dal momento che ciò potrà rompere la catena che potrà rimbalzare e colpire l'operatore. Questa situazione si verifica normalmente se il legno viene sostenuto in maniera scorretta permettendo al taglio di chiudersi a causa della compressione e facendo quindi incastrare la lama. Se regolare il supporto non permette di rilasciare la barra e la catena, utilizzare cunei in legno o una leva per completare il taglio e rilasciare il prodotto. Non tentare di avviare la motosega quando la barra di guida è già stata inserita nel taglio o nell'intaccatura.

ISTRUZIONI RIGUARDANTI LE TECNICHE ADATTE PER TAGLI DI BASE, TAGLIO DEI RAMI E TAGLIO INCROCIATO

Studiare le forze delle fibre del legno

Quando si comprendono le pressioni direzionali e le forze all'interno del legno, si possono ridurre le probabilità che la lama "si inceppi" nel legno o almeno prevenire che ciò avvenga durante le fasi di taglio. La tensione nel legno indica che le fibre si stanno separando e se si taglia in quest'area l'"intaccatura" o taglio tenderà ad aprirsi quando la sega lo attraverserà. Se un tronco viene sostenuto su un cavalletto e l'estremità dello stesso non viene sostenuta, si creerà tensione sulla superficie superiore a causa delle fibre del tronco sospeso che si allungano. Allo stesso modo la parte interna del tronco si comprimerà e le fibre verranno schiacciate assieme. Se si procede a far un taglio in questa zona l'intaccatura avrà la tendenza di chiudersi durante il taglio. Ciò intrappolerà la lama.

Tagliare un albero.

Vedere le pagine 277 - 278.



Quando le operazioni di taglio e disboscamento vengono svolte da due o più persone allo stesso tempo, le due operazioni dovranno essere separate l'una dall'altra e svolte a una distanza di almeno due volte l'altezza dell'albero che si sta tagliando. Gli alberi non dovranno essere tagliati in modo da mettere in pericolo delle persone, colpire cavi elettrici o causare danni alla proprietà. Se l'albero entra in contatto con una linea elettrica, la compagnia ne dovrà essere immediatamente notificata.

Si consiglia all'operatore di mettersi sul lato a monte del terreno, poiché è più probabile che un albero rotoli o scivoli verso valle una volta abbattuto.

Progettare sempre una via di fuga e tenerla sempre pronta, prima di avviare le operazioni di taglio. La via di fuga deve essere tracciata alle spalle dell'operatore e in maniera diagonale rispetto alla linea di caduta dell'albero.

Prima di avviare le operazioni di taglio, considerare l'inclinazione dell'albero, la posizione dei rami più grandi e la direzione del vento per capire dove cadrà l'albero.

Rimuovere sporco, pietre, pezzi di corteccia, chiodi, fermagli e cavi dall'albero.

Non tentare di tagliare alberi marci o danneggiati da vento, fuoco o fulmini, ecc. Tali operazioni sono estremamente pericolose e dovranno essere svolte solo da un professionista come un medico degli alberi.

- Incidere il taglio

Vedere le pagine 277 - 278.

Fare una incisione di 1/3 del diametro dell'albero, perpendicolare alla direzione della caduta. Fare prima il taglio orizzontale inferiore. Ciò aiuterà ad evitare che la catena o la barra di guida rimangano impigliate quando si fa il secondo taglio.

- Taglio posteriore di caduta

Vedere le pagine 277 - 278.

Fare il taglio di caduta a una altezza di almeno 50 mm/2 volte più in alto del taglio di intaccatura. Tenere il taglio di caduta parallelo al taglio orizzontale. Fare il taglio in modo che venga lasciato abbastanza legno e che lo stesso possa agire come cerniera. Il legno della cerniera farà in modo che l'albero non si pieghi su se stesso e cada nella direzione sbagliata. Non tagliare la cerniera.

Man mano che il taglio si avvicina al cardine, l'albero inizierà a cadere. Nel caso in cui vi sia la possibilità che l'albero non cada nella direzione desiderata o che ondeggi avanti e indietro bloccando la catena, arrestare le operazioni di taglio prima che il taglio finale sia completato e utilizzare cunei di legno, plastica o alluminio per aprire il taglio e far cadere l'albero lungo la linea di caduta desiderata.

Quando l'albero inizia a cadere rimuovere la motosega dal taglio, arrestare il motore, mettere giù la motosega, quindi seguire la linea di fuga programmata. Fare attenzione ad eventuali rami sospesi che cadono dall'alto e fare attenzione al proprio equilibrio.

Rimozione dei contrafforti

Vedere pagina 278.

I contrafforti sono protuberanze legnose che si sviluppano nell'angolo tra le radici laterali e la loro inserzione al fusto, interessando la porzione basale del fusto stesso.

È necessario rimuovere queste protuberanze prima di abbattere un albero. Praticare prima un taglio orizzontale nel contrafforte, seguito da un taglio verticale. Eliminare queste porzioni dalla zona di lavoro. Dopo aver eliminato tutti gli elementi cadenti, attenersi alla procedura di abbattimento appropriata.

Tagliare un tronco in pezzi più piccoli

Vedere pagina 279.

Questa operazione consiste nel tagliare un tronco in pezzi piccoli Assicurarsi sempre l'equilibrio e che il peso sia distribuito in maniera uguale su entrambi i piedi. Ove possibile, il tronco dovrà essere alzato e supportato utilizzando rami, tronchi o pezzi di legno. Seguire le direzioni semplici per tagli facili. Quando il tronco è sostenuto lungo tutta la sua lunghezza, viene tagliato dalla parte superiore (taglio dall'alto).

Quando il tronco viene sostenuto a una estremità, tagliare un diametro di 1/3 dalla parte interna (taglio dal basso). Fare il taglio finale dall'alto per incontrare il primo taglio.

Quando il tronco è sostenuto da entrambe le parti, tagliare un diametro di 1/3 dalla parte superiore (taglio dall'alto). Fare quindi un taglio finale a 2/3 dalla parte inferiore per incontrare il primo taglio.

Quando si svolgono le operazioni di taglio su un piano scosceso, posizionarsi sempre sulla parte più in alto. Quando si passa al "taglio finale", per mantenere il completo controllo rilasciare la pressione di taglio vicino all'estremità di taglio senza rilasciare la presa sulle impugnature della motosega. Non lasciare che la motosega entri in contatto con il terreno. Dopo aver completato il taglio, attendere che la motosega si arresti prima di spostare la motosega. Arrestare sempre il motore prima di spostarsi da un albero all'altro.

Tagliare rami da un albero abbattuto

Vedere pagina 280.

Tale operazione consiste nel rimuovere rami da un albero abbattuto. Quando si svolgono queste operazioni lasciare i rami inferiori in modo che sostengano il tronco lontano dal terreno. Rimuovere i rami piccoli con un taglio. I rami sotto tensione dovranno essere tagliati dal basso verso l'alto per evitare di bloccare la motosega.

Taglio di astoni elastici

Vedere pagina 280.

Un astone elastico è un qualsiasi elemento dell'albero (ramo, ceppaia radicata o giovane pertica) piegatosi sotto tensione a causa di altri elementi e che, se il corpo che lo trattiene venisse reciso o rimosso, manifesterebbe un ritorno elastico improvviso.

Una ceppaia radicata ha un grosso potenziale di ritorno elastico alla sua posizione verticale durante l'operazione di sezionamento che separa il fusto dalla ceppaia stessa. Prestare attenzione agli astoni elastici, poiché sono pericolosi. Non tentare di tagliare i rami piegati o rami sotto tensione a meno che non si sia professionalmente pronti a in grado di farlo.

TRASPORTO E RIPONIMENTO

- Arrestare il motore, inserire il freno catena scollegare il cavo della candela dalla candela e lasciare che si



- raffreddi prima di riporre o trasportare.
- Rimuovere eventuali materiali di scarto dal prodotto.
- Drenare il carburante dal serbatoio e versarlo in una tanica idonea per la benzina. Ricordarsi di sostituire e serrare correttamente il tappo del miscelatore carburante.
- Mettere in funzione il motore fino a quando non si arresta. In questo modo si eliminerà tutta la miscela residua, evitando così l'accumulo di depositi nel sistema di carburazione.
- Drenare l'olio dal serbatoio della barra e della catena, versandolo in una tanica idonea. Ricordarsi di sostituire e serrare correttamente il tappo del lubrificante catena.
- Montare sempre il coperchio della barra di guida prima di riporre il prodotto o durante il trasporto.
- Riporre in un luogo asciutto e ben ventilato non accessibile ai bambini, tenerlo a distanza da agenti corrosivi, come le sostanze chimiche per il giardinaggio e il fondente chimico. Non riporre all'esterno.
- Quando si trasporta il prodotto per una breve distanza (da un'area di lavoro all'altra), applicare sempre il freno catena in modo che la motosega non si metta in moto.
- Quando si trasporta il prodotto, assicurarlo da movimenti o cadute per prevenire lesioni a persone o danni al prodotto.
- Non portare né trasportare mai il prodotto mentre è in funzione.

Rispettare tutte le regolamentazioni statali e provinciali in merito al rimessaggio e al trattamento sicuro della benzina. Utilizzare il carburante in esubero in altre attrezzature dotate di motore a 2 tempi.

MANUTENZIONE

Tenere il prodotto sempre in ottime condizioni di funzionamento.

⚠ AVVERTENZA

Utilizzare solo parti di ricambio, accessori e dispositivi originali della ditta produttrice. In caso contrario si potranno causare lesioni, prestazioni basse e la garanzia verrà invalidata.

⚠ AVVERTENZA

Le operazioni di manutenzione devono essere svolte con grande attenzione e accortezza solo da un tecnico qualificato. Per svolgere le operazioni di manutenzione e riparazione, riportare il prodotto presso il più vicino centro servizi autorizzato. Quando l'attrezzo viene riparato, utilizzare solo ricambi identici.

⚠ AVVERTENZA

Prima di svolgere i dovuti controlli, le operazioni di pulizia o manutenzione del prodotto, arrestare il prodotto, inserire il freno a mano, scollegare il cavo della candela. La mancata osservanza di queste norme può provocare gravi lesioni o notevoli danni materiali.

- L'operatore potrà fare le regolazioni e riparazioni descritte nel presente manuale. Per ulteriori riparazioni, contattare il centro servizi autorizzato.
- Le conseguenze di una manutenzione scorretta potranno impedire al freno della catena e ad altre funzioni di sicurezza di funzionare correttamente, aumentando la probabilità di lesioni gravi. Svolgere sempre le operazioni di manutenzione in maniera professionale e fare in modo che l'utensile sia sempre sicuro.
- Affilare la catena in modo sicuro è un compito che richiede attenzione e professionalità. A questo proposito la ditta produttrice raccomanda che una catena consumata o rovinata venga sostituita con una nuova catena, disponibile presso il centro servizi autorizzato Ryobi. Il numero della parte è disponibile nella tabella specifiche prodotto nel presente manuale.
- Seguire le istruzioni per lubrificare, controllare e regolare il tensionamento catena.
- Dopo ogni uso, pulire il prodotto con una panno morbido e asciutto.
- Controllare frequentemente dadi, bulloni e viti, verificando che siano stati assicurati correttamente per fare in modo che il prodotto garantisca condizioni di lavoro ottimali. Riparare eventuali parti danneggiate o farle sostituire da un centro servizi autorizzato.

SOSTITUIRE LA BARRA DI GUIDA E LA CATENA

Vedere le pagine 282 - 285.

1. Arrestare il prodotto. Indossare guanti di protezione.
2. Sbloccare il freno della catena.
3. Svitare la manopola della barra di guida e rimuovere il coperchio della ruota dentata.
4. Rimuovere la barra e la motosega dall'unità.
5. Pulire le parti interne della ruota dentata.
6. Per sostituire la barra con una nuova barra, allentare le vite del gruppo tensionamento catena. Montare il gruppo tensionamento catena sulla nuova barra e serrare il dado.
7. Montare il gruppo barra di guida e tensionamento catena sulla motosega. Abbassare la barra di guida in modo che il bullone passi attraverso il foro nel gruppo barra e tensionamento catena.
8. La catena della sega dovrebbe essere rivolta nella direzione della ruotazione catena. Se sono rivolti in direzione opposta, rovesciare il cerchio.
9. Posizionare la catena disposta a cerchio attorno alla ruota dentata di trazione. Posizionare i collegamenti di trasmissione della catena nel solco della barra. Se necessario, far ruotare il gruppo tensionamento catena per applicare tensionamento alla stessa il che aiuterà a mantenerla a posto.
10. Riposizionare il coperchio della ruota dentata.
11. Regolare la tensione della catena. Far riferimento alla sezione "Regolare la tensione della catena".

PULIZIA DEL FILTRO DELL'ARIA

Vedere pagina 290.

1. Arrestare il prodotto. Assicurarsi che il freno della catena sia nella posizione freno.
2. Svitare la manopola di blocco sul coperchio del filtro dell'aria e rimuoverlo dal prodotto.

3. Rimuovere il filtro dell'aria.
4. Rimuovere la polvere e lo sporco sul filtro dell'aria con una spazzola. Se necessario, aprire il filtro dell'aria con un giravite piatto e pulirlo all'interno.
5. Riposizionare il coperchio del filtro dell'aria e serrare la manopola di blocco.

PULIRE IL PARASCINTILLE.

Vedere pagina 291.

⚠ AVVERTENZA

Il silenziatore si surriscalda durante e dopo l'utilizzo del prodotto. Per evitare gravi lesioni alla persona, tenere tutte le parti del corpo lontane dal silenziatore durante e dopo le operazioni.

1. Arrestare il prodotto. Assicurarsi che il freno della catena sia nella posizione freno. Lasciare raffreddare la marmitta.
2. Rimuovere la vite che fissa il coperchio del silenziatore al dispositivo di protezione, quindi rimuovere i due dadi sul coperchio del silenziatore.
3. Rimuovere il coperchio del silenziatore.
4. Estrarre il parascintille. Pulire lo schermo del parascintille con una piccola spazzola con setole in metallo.
5. Riposizionare il coperchio del silenziatore. Per riposizionare il coperchio del silenziatore, ripercorrere queste fasi nell'ordine inverso.

⚠ AVVERTENZA

Il dispositivo di protezione è un dispositivo di sicurezza del prodotto. Assicurare con la corretta vite dopo aver riposizionato il coperchio del silenziatore. La mancata osservanza delle presenti istruzioni potrà causare gravi lesioni alla persona o morte.

ISPEZIONARE E PULIRE IL FRENO DELLA CATENA.

Vedere pagina 294.

- Tenere sempre il meccanismo del freno della catena pulito mantenendo gli anelli della catena puliti.
- Testare sempre le prestazioni del freno della catena dopo le operazioni di pulizia.
- Far riferimento al paragrafo "Funzionamento – Controllo e Funzionamento Freno Catena" nel presente manuale per ulteriori informazioni.

REGOLAZIONE DELLA VELOCITÀ DEL MOTORE E DEL CARBURATORE

⚠ AVVERTENZA

Regolazioni non corrette del carburatore potranno aumentare il rischio di lesioni, gravi incidenti o danni al prodotto. Per svolgere le regolazioni sul prodotto, portarlo presso un centro servizi autorizzato.

PROGRAMMA DI MANUTENZIONE

Controllo quotidiano	
Miscela carburante	Prima di ogni utilizzo B
Lubrificazione barra	Prima di ogni utilizzo B
Tensione catena	Prima di ogni utilizzo e frequentemente
Blocco frizione (assenza di movimento della catena alla velocità minima)	Prima di ogni utilizzo B
Affilatura catena	Prima di ogni utilizzo, fare un controllo.
Parti danneggiate	Prima di ogni utilizzo B
Coperchi allentati	Prima di ogni utilizzo B
Dispositivi di blocco allentati	Prima di ogni utilizzo B
Funzione freno catena	Prima di ogni utilizzo B
Per perdite di carburante	Prima di ogni utilizzo B

ISPEZIONARE E PULIRE

Barra	Prima di ogni utilizzo B
Sega completa	Dopo ogni utilizzo
Filtro dell'aria	Ogni 5 ore*
Freno della catena	Ogni 5 ore*
Sostituzione filtro carburante	Annualmente
Sostituzione filtro carburante	Annualmente

*Ore di funzionamento

RISCHI RESIDUI:

Anche quando il prodotto viene utilizzato come indicato, è impossibile eliminare completamente alcuni fattori di rischio residuo. Si potranno verificare i seguenti rischi durante l'utilizzo e l'operatore dovrà prestare attenzione speciale per evitare quanto segue:

- Lesioni causate da vibrazioni. Utilizzare sempre l'utensile adatto per svolgere il lavoro, utilizzare i manici appositi e limitare le ore di lavoro e l'esposizione.
- L'esposizione al rumore può causare lesioni all'udito. Indossare cuffie di protezione e limitare l'esposizione.
- Contatto con denti esposti della motosega (rischi di taglio).
- Movimenti non previsti e improvvisi o rimbalzi della barra di guida (rischio di taglio).

- Parti che potranno essere scagliate dalla motosega (rischio di taglio/iniezione).
- Parti scagliate dal pezzo sul quale si sta lavorando (schegge e trucioli di legno).
- Inalazione di particelle provenienti dal pezzo sul quale si sta lavorando o scarichi di gas dal motore.
- Pelle che entra in contatto con benzina / olio.

RIDUZIONE DEL RISCHIO

Si è accertato che le vibrazioni causate da utensili a mano possono contribuire a causare una condizione chiamata Sindrome di Raynaud in alcune persone. I sintomi, comprendenti formicolio, intorpidimento e perdita di colore alle dita, si verificano di solito quando ci si espone al freddo. Fattori ereditari, esposizione a freddo e umidità, una dieta scorretta, fumo e condizioni di lavoro non sicure potranno contribuire allo sviluppo di questi sintomi. È possibile prendere delle precauzioni per ridurre le vibrazioni:

- Tenere il corpo al caldo a basse temperature. Quando si utilizza il prodotto indossare guanti per tenere le mani e i polsi caldi. Le basse temperature contribuiscono a causare la Sindrome di Raynaud.
- Dopo aver utilizzato l'utensile per un certo periodo, fare degli esercizi per stimolare la circolazione del sangue.
- Fare spesso delle pause. Limitare la quantità di esposizione giornaliera.
- I guanti di protezione sono disponibili da rivenditori professionali di motoseghe e sono progettati per essere utilizzati specificatamente con motoseghe e offrire protezione e una presa sicura. I guanti riducono inoltre l'effetto delle vibrazioni del manico. Questi guanti devono rispettare lo standard EN381-7 ed essere contrassegnati con marchio CE.

Nel caso in cui si provino i sintomi di questa condizione, interrompere immediatamente l'utilizzo dell'utensile e consultare un dottore.

⚠ AVVERTENZA

Il prolungato utilizzo dell'utensile potrà causare o aggravare lesioni. Quando si utilizza questo utensile per periodi di tempo prolungati, assicurarsi di fare sempre delle pause regolari.

FAMILIARIZZARE CON IL PRODOTTO

Vedere pagina 271.

PARTI

1. Catena
2. Barra di guida
3. Protezione mano anteriore/freno catena
4. Manico anteriore
5. Coperchio filtro dell'aria
6. Manopola di avviamento
7. Manico posteriore
8. Respingente protezione dentate
9. Coperchio del silenziatore
10. Tappo miscela
11. Tappo dell'olio
12. Interruttore di accensione

58 | Italiano

13. Rilascio della leva
14. Leva acceleratore
15. Bulbo di innesco
16. Leva dell'aria
17. Chiave a combinazione
18. Coperchio ruota dentata
19. Recuperatore della catena
20. Anello di regolazione tensionatore catena
21. Manopola di blocco barra di guida
22. Coperchio barra di guida

DISPOSITIVI DI SICUREZZA

CATENA A CONTRACCOLPO BASSO

Una catena a basso contraccolpo aiuta a ridurre la possibilità di contraccolpi.

I limitatori di spessore posti davanti a ciascun dente tagliente possono ridurre al minimo la forza prodotta da una reazione di contraccolpo, impedendo ai denti di penetrare in profondità una volta raggiunta la zona di contraccolpo. Utilizzare solo combinazioni di barra di guida e catena di ricambio raccomandati dalla ditta produttrice.

L'affilimento delle catene attenua via via le caratteristiche di contraccolpo basso e pertanto vanno trattate con maggiore cautela. Per la propria sicurezza, sostituire la catena della motosega quando le prestazioni di taglio diminuiscono.

RESPINGENTE PROTEZIONE DENTATE

Il respingente protezione dentata integrale può essere utilizzato come sostegno quando si svolgono delle operazioni di taglio. Aiuta a mantenere il corpo della motosega fermo durante le operazioni di taglio. Durante le operazioni di taglio, spingere l'utensile in avanti fino a che le punte non entrino dentro il legno, quindi muovendo il manico posteriore su o giù nella direzione della linea di taglio si allenterà lo sforzo fisico del taglio.

BARRE DI GUIDA

Di solito le barre di guida con punte da un diametro piccolo hanno un potenziale di rimbalzo più basso. Utilizzare solo combinazioni di barra di guida e catena di ricambio raccomandati dalla ditta produttrice. L'utilizzo di barre di guida non raccomandate aumenta il rischio di perdita di controllo durante le operazioni di taglio. Controllare regolarmente la tensione della catena. Quando si tagliano rami più piccoli (di lunghezza inferiore alla lunghezza della barra di guida) è più probabile che la catena venga spostata se la tensione non è corretta.

FRENO DELLA CATENA

Il freno della catena è stato studiato per un arresto brusco della catena. Quando si spinge la leva del freno verso la barra, la catena dovrebbe arrestarsi immediatamente. Il freno della catena non impedisce il contraccolpo. Diminuisce solo il rischio di lesioni se la barra entra in contatto con il corpo dell'operatore durante un incidente di contraccolpo. Il freno della catena dovrà essere testato prima di ogni utilizzo per un corretto funzionamento nelle posizioni di avvio e freno.

RECUPERATORE DELLA CATENA

Un dispositivo di blocco catena previene eventuali rimbalzi dell'utensile verso l'operatore nel caso in cui la motosega si

allenti o si rompa.

SIMBOLI SUL PRODOTTO



Avvertenza



Leggere e comprendere tutte le istruzioni prima di mettere in funzione il prodotto, seguire tutte le istruzioni e le avvertenze di sicurezza.



Indossare protezione occhi, orecchie e testa.



Indossare calzature anti-scivolo con questo prodotto.



Indossare guanti anti-scivolo da lavoro.



Fare attenzione al rimbalzo della motosega ed evitare il contatto con la punta della barra.



Tenere ed utilizzare la motosega con entrambe le mani.



Non utilizzare la motosega tenendola con una sola mano.



Questo apparecchio è conforme a tutte le norme vigenti nel paese dell'UE in cui è stato acquistato.



Utilizzare benzina senza piombo per autovetture con numero di ottano almeno pari a 91 (R+M)/2).



Utilizzare olio a 2 tempi per motori ad aria fredda.



Mescolare il carburante completamente prima di ricaricare.



Aggiungere olio alla barra e alla catena ogni volta che si aggiunge carburante al prodotto.



Posizionare il freno catena in posizione RUN (Avvio).



Posizionare il freno catena sulla posizione BRAKE (Freno)



Girare l'interruttore sulla posizione ON (acceso).



Premere e rilasciare il BULBO DI INNESCO per 10 volte.



Posizionare la leva dell'aria sulla posizione "FULL" (Pieno).



Tirare la funicella di avvio fino ad udire la prima scintilla nel motore (non più di cinque volte).



Posizionare la leva dell'aria su "RUN" (Avvio).



Tirare la leva di avvio fino a che non si avvia il motore.



Premere il grilletto e rilasciare la valvola a farfalla.



Marchio di conformità EurAsian



Il livello di potenza sonora garantito è 112 dB



Lubrificante barra e catena



Benzina senza piombo e olio per motore a 2 tempi.



Posizione di corsa



Posizione leva aperta a metà



Posizione "FULL" (Pieno)



Blocco



Sblocco



Ruotare per regolare la tensione della catena

Serrare la catena

Serrare/allentare la catena

Direzione movimento della catena

(Indicata sotto il coperchio della ruota dentata)



EN
FR
DE
ES
IT
NL
PT
DA
SV
FI
NO
RU
PL
CS
HU
RO
LV
LT
ET
HR
SL
SK
BG



Modalità normale



Modalità anti-ghiaccio

T

Regolazioni velocità minima

H

Ago di regolazione alta velocità

L

Ago di regolazione velocità bassa

SIMBOLI NEL PRESENTE MANUALE



Miscelare il carburante all'aperto, in assenza di scintille o fiamme.



Non fumare mentre si miscela carburante o si riempie il serbatoio di carburante.



Parti o accessori venduti separatamente



I prodotti elettrici non devono essere smaltiti con i rifiuti domestici. Vi sono strutture per smaltire tali prodotti.



Nota:



Avvertenza!



Indossare maschere protettive per il volto e gli occhi.



Indossare protezioni per la parte superiore del corpo.



Indossare protezioni per le gambe.



Arrestare il prodotto.



Bloccare il coperchio di accesso al filtro.



Sbloccare il coperchio di accesso al filtro.

Le parole e i messaggi di avvertimento spiegano i livelli di rischio associato con il prodotto.

PERICOLO

Indica una situazione pericolosa che, se non evitata attentamente, potrà causare gravi lesioni alla persona o morte.

AVVERTENZA

Indica una situazione potenzialmente pericolosa che, se non evitata attentamente, potrà causare gravi lesioni alla persona o morte.

ATTENZIONE

Indica una situazione potenzialmente pericolosa che, se non evitata attentamente, potrà causare lesioni minori o moderate alla persona.

ATTENZIONE

Senza simbolo di allerta di sicurezza

Indica una situazione che potrà risultare in gravi danni a cose.

Veiligheid, prestaties, betrouwbaarheid kregen topprioriteit in het ontwerp van uw Benzine-aangedreven kettingzaag.

VOORGESCHREVEN GEBRUIK

Het product is uitsluitend bedoeld voor gebruik buitenshuis in een goed geventileerd gebied. Omwille van veiligheidsredenen moet het product correct worden bediend door steeds twee handen te gebruiken.

Het product is ontworpen voor het zagen van takken, boomstammen, houtblokken en balken in een diameter die wordt bepaald door de zaaglengte van het zwaard. Het werd uitsluitend ontworpen om hout te zagen. Het mag alleen worden gebruikt voor huishoudelijke toepassingen door volwassenen die voldoende opleiding hebben gekregen over de gevaren en preventieve maatregelen/handelingen die tijdens het gebruik moeten worden genomen.

Gebruik het product voor andere doeleinden dan deze die hierboven zijn opgelijst. Het mag niet worden gebruikt voor professionele boomsdiensten. Het product mag niet worden gebruikt door kinderen of personen die geen geschikte beschermuitrusting en -kledij dragen.

⚠ WAARSCHUWING

Wanneer u het product gebruikt, moeten de veiligheidsregels worden opgevolgd. Voor uw eigen veiligheid en deze van omstaanders, moet u deze instructies lezen en begrijpen voor u het product gebruikt. U volgt best een professioneel georganiseerde veiligheids cursus inzake het gebruik, preventieve acties, eerste hulp en onderhoud van kettingzagen. Bewaar de instructies voor later gebruik.

⚠ WAARSCHUWING

Kettingzagen zijn potentieel gevaarlijke werktuigen. Ongevallen met kettingzagen leiden vaak tot het verlies van ledematen of de dood. Niet enkel de kettingzaag is een gevaar. Vallende takken, omvallende bomen, rollende boomstammen kunnen allemaal de dood veroorzaken. Zieke of rottende bomen vormen een bijkomend gevaar. U moet altijd verzekeren dat u in staat bent om de opdracht veilig te vervullen. Bij twijfel laat u het over aan een professionele boomchirurg.

ALGEMENE VEILIGHEIDSWAARSCHUWINGEN

- Enkele regio's hebben regels die het gebruik van het product beperken. Raadpleeg uw lokale autoriteit voor advies.
- Laat kinderen of mensen die niet vertrouwd zijn met de gebruiksaanwijzingen, het product nooit gebruiken. De plaatselijke wetgeving kan beperkingen opleggen i.v.m. de leeftijd van de bediener.
- Controleer voor elk gebruik of alle bedieningsknoppen en veiligheidsinrichtingen goed functioneren. Gebruik het product niet als de "uit"-knop de motor niet stillegt.
- Start of laat de motor nooit draaien in een gesloten of slecht geventileerde ruimte; het inademen van uitlaatgassen kan dodelijk zijn.
- Ruim het werkgebied voor elk gebruik op, een wanordelijk en slordig werkgebied kan tot ongevallen leiden.
- Draag volledige gezichts- en gehoorbescherming, sterke veiligheidshandschoenen, veiligheidsschoenen met antislipzolen en hoofdbescherming terwijl u het product gebruikt. Gebruik een stofmasker indien de bediening van het toestel veel stof veroorzaakt.
- Draag geen loszittende kledij, korte broek of juwelen.
- Maak lang haar vast boven schouderhoogte om te voorkomen dat het verstrikt raakt in de bewegende delen.
- Pas op voor vallende, vliegende of weggeslingerde voorwerpen. Houd alle omstanders (in het bijzonder kinderen en huisdieren) op tenminste 15m afstand van het werkgebied.
- Gebruik het product nooit in een explosieve of ontvlambare atmosfeer.
- Houd beide handvatten stevig vast terwijl u het product gebruikt.
- Blijf alert en kijk naar wat u doet en gebruik uw gezond verstand wanneer u de machine gebruikt. Gebruik het product niet wanneer u moe, ziek of onder de invloed bent van alcohol, drugs of medicijnen. Een klein moment van onoplettendheid terwijl u de machine gebruikt kan leiden tot ernstige letsels.
- Gebruik dit apparaat niet op plekken waar u niet goed kunt zien. De gebruiker heeft een duidelijk overzicht nodig van het werkgebied om mogelijke gevaren te identificeren.
- Het gebruik van gehoorbescherming vermindert de mogelijkheid om waarschuwingen (verbaal of alarmen) te horen. De gebruiker moet extra aandacht hebben voor wat er op de werkplaats gebeurt.
- Het gebruik van gelijksoortige apparaten in de nabijheid verhoogt het risico van letsel en de mogelijkheid dat er andere mensen in uw werkgebied komen.
- Bewaar steeds een stevige houvast en goed evenwicht. Overrek u niet. Wanneer u overreikt kan dit leiden tot evenwichtsverlies of blootstelling aan warme oppervlakken, wat het risico op terugslag vergroot.
- Houd alle lichaamsdelen weg van de bewegende delen.
- Raak de omgeving rond de geluiddemper of motor niet aan; deze onderdelen worden tijdens de werking warm.
- Controleer de machine voor elk gebruik. Controleer of alle bedieningsinstrumenten correct werken, met inbegrip van de kettingrem. Controleer op losse verbinders. Zorg ervoor dat alle beschermers en handvatten correct en stevig zijn vastgemaakt. Vervang alle beschadigde onderdelen voor gebruik.
- Het apparaat op geen enkele wijze aanpassen of reserveonderdelen gebruiken die niet worden aanbevolen door de fabrikant.

EN
FR
DE
ES
IT
NL
PT
DA
SV
FI
NO
RU
PL
CS
HU
RO
LV
LT
ET
HR
SL
SK
BG

⚠ WAARSCHUWING

Als u het product laat vallen, het een ernstige impact ondergaat of abnormaal begint te trillen, legt u het product onmiddellijk stil en controleert u het op schade of zoekt u naar de oorzaak van de trillingen. Enige schade moet direct worden gerepareerd of vervangen door een bevoegd onderhoudscentrum.

- Bij het mengen van brandstof of het vullen van de brandstoftank, rook niet en houdt 10 meter afstand van elke bron van ontsteking.
- Meng en sla brandstof op in een container die goedgekeurd is voor benzine.
- Meng brandstof in de open lucht waar geen vonken of vlammen zijn. Veeg eventueel gemorste brandstof weg. Ga op 10 m (30 voet) afstand van de brandstofvulplaats staan voor u de motor start.
- Stop de motor en laat deze afkoelen voordat u het apparaat bijvult, opslaat of vervoert.
- Onthoud om alle brandstof/containerdoppen na hervullen of mengen goed te sluiten.

VEILIGHEIDSWAARSCHUWINGEN KETTINGZAAG

- Installeer het zwaarddeksel wanneer het product niet wordt gebruikt of wordt gedragen of getransporteerd. Dit helpt het risico op accidenteel contact met de scherpe zaagtanden op de ketting verminderen. Draag het product aan het bovenste handvat, waarbij het zwaard weg van uw lichaam gericht is.
- U dient vertrouwd te worden met uw nieuwe kettingzaag door enkele eenvoudige zaagbewegingen te maken op een goed ondersteund stuk hout. Do dit altijd wanneer u de kettingzaag gedurende een zekere tijd niet hebt gebruikt.
- Zaag houtblokken op een zaagbok wanneer u het product voor het eerst gebruikt.
- Zorg ervoor dat alle beschermers, handvatten en buffer goed zijn bevestigd en in goede staat zijn.
- De personen die het product gebruiken moeten in goede gezondheid zijn. Het product is een zwaar toestel, waardoor de gebruiker fysiek fit moet zijn om het te gebruiken. De gebruiker moet alert zijn, een goed zicht hebben, mobiel zijn, een goed evenwicht hebben en handig zijn. Bij twijfel gebruikt u het product niet.
- Sta niet op een onstabiel oppervlak terwijl u het product gebruikt. Dit omvat, maar is niet beperkt tot, ladders, stellingen en bomen. Houd beide handen steeds op de handvatten van het product.
- Start het product niet tot uw werkrimte vrij is, zorg dat u stevig op de voeten staat en bereid een ontsnapingsroute voor weg van een vallende boom.
- Wees buitengewoon voorzichtig wanneer u kleine struiken en boompjes zaagt, omdat het buigzame materiaal zich in de zaagketting kan vastgrijpen, waardoor deze naar u toe wordt geslagen of u uit uw evenwicht brengt.
- Wanneer een tak wordt gezaagd die onder spanning staat, wees dan bedacht op het terugveren zodat u niet

wordt geraakt wanneer de veerkracht in de houtvezels wordt vrijgelaten.

- Wees bedacht op de gevaren van de uitstoot van uitlaatgassen, oliedampen en zaagsel. Draag indien nodig een masker of stofmasker.
- Zaag geen wijnranken en/of lage ondergroei (minder dan 75 mm in diameter)
- Houd de kettingzaag tijdens gebruik altijd met beide handen vast. Zorg voor een stevige grip waarbij duimen en vingers de handgrepen van de kettingzaag omsluiten. De rechterhand moet zich op het achterste handvat bevinden en de linkerhand op het voorste handvat.
- Voor u het werktuig start, zorgt u ervoor dat de zaagketting met geen enkel voorwerp in contact komt. Start het product altijd als er kettingolie werd gebruikt (volledig vooruit gedrukt).
- Wijzig het product nooit of gebruik het niet om voorzetstukken of apparaten aan te drijven die niet door de fabrikant van het product worden aangeraden.
- Er moet zich een eerste hulpkit met grote wondverbanden en een middel om de aandacht te trekken (vb. een fluitje) in de buurt van de gebruiker bevinden. Een uitgebreidere kit moet zich op redelijke afstand bevinden.
- De gebruiker kan geneigd zijn om de helm af te nemen als er geen gevaar bestaat voor vallende voorwerpen in het werkgebied, maar onthoud dat de helm, in het bijzonder met het gelaatscherm in gaas, ook kan helpen om het risico op mogelijke gelaats- of hoofdletsels te verminderen als er terugslag is.
- Een foutief aangespannen ketting kan van het zwaard afspringen, wat kan leiden tot ernstige verwondingen of de dood. De lengte van de ketting hangt af van de temperatuur en slijtage van de ketting. Controleer regelmatig de spanning.
- Houd de handvatten droog, schoon en vrij van olie en vet. Vettige handen zijn glad, waardoor u de controle kunt verliezen.
- Om het risico op verwondingen als gevolg van contact met bewegende onderdelen te verminderen, legt u de motor altijd stil, activeert u de kettingrem, verwijdert u de bougiekabel en zorgt u ervoor dat alle bewegende onderdelen eerst zijn stilgevallen.
 - blokkering schoon- of vrijmaken
 - het product onbeheerd achterlaten
 - u voorzetstukken installeert of verwijdert
 - ontrouwen, onderhoud of werken aan het product
- De omvang van het werkterrein is afhankelijk van het werk dat wordt uitgevoerd, alsmede het formaat van de desbetreffende boom of het werkstuk. Het vellen van een boom, bijvoorbeeld, veronderstelt een groter werkgebied dan nodig is voor andere zaagbewegingen, vb. het in stukken zagen van een houtblok, etc. De gebruiker moet zich bewust zijn van alles wat zich in het werkbereik afspeelt en er de controle over hebben.
- Zaag niet terwijl uw lichaam zich in lijn met het zwaard en de ketting bevindt. Als u een terugslag ervaart, zal dit helpen voorkomen dat de ketting in contact komt met uw hoofd of lichaam.

- Gebruik geen heen-en-weer zagende beweging; laat de ketting het werk doen. Houd de ketting scherp en probeer ze niet door de zaagsnede te duwen.
- Oefen geen druk uit op de zaag aan het einde van de zaagsnede. Wees klaar op het gewicht van de kettingzaag op te vangen als deze zich vrij van het hout zaagt. Wanneer u dit niet doet kan dit leiden tot ernstige letsels.
- Stop het zagen niet in het midden van een zaagbeweging. Laat de zaag draaien tot ze uit de zaagsnede is verwijderd.

Persoonlijke beschermuitrusting

Goede kwaliteit, persoonlijke beschermuitrusting, zoals gebruikt door profs help u het risico voor de gebruiker te verminderen. De volgende items moeten worden gebruikt wanneer u de kettingzaag bedient:

Veiligheidshelm

- moet overeenstemmen met EN 397 en CE-gemarkeerd zijn.

Gehoorscherming

- moet overeenstemmen met EN 352-1 en CE-gemarkeerd zijn.

Oog- en gezichtsbescherming

- moet CE-gemarkeerd zijn en overeenstemmen met EN 166 (voor veiligheidsbril) of EN 1731 (voor gezichtsmaskers in gaas)

Handschoenen

- moet overeenstemmen met EN 381-7 en CE-gemarkeerd zijn.

Beenbeschermers (chaps)

- moeten overeenstemmen met EN391-5 en CE-gemarkeerd zijn en een algemene bescherming bieden.

Veiligheidslaarzen kettingzaag

- moeten overeenstemmen met EN ISO 20345:2004 en gemarkeerd zijn met een schild dat een kettingzaag afbeeldt om de overeenstemming met EN 381-3 aan te duiden. (Occasionele gebruikers kunnen veiligheidslaarzen met stalen punt met beschermende beenkappen gebruiken die overeenstemmen met EN 381-9 als de bodem vlak is er een maar weinig risico bestaat om te struikelen of in de ondergroei verstrikt te raken)

Kettingzaagjassen voor bescherming van het bovenlichaam

- moet overeenstemmen met EN 381-11 en CE-gemarkeerd zijn.

ZAAGKETING EN ZWAARD MONTEREN

Zie pagina 273, Fig. 5 - 8.

1. Product stoppen Draag beschermhandschoenen.
2. Ontkoppel de kettingrem.
3. Schroef de zwaardvergrendelknop los en verwijder het kettingwieldeksel.
4. Maak het zwaard en de kettingspanning aan de kettingzaag vast. Laat het zwaard zakken zodat de bout door de opening in het zwaard en de kettingspanning kan worden geschoven.
5. De zaagketting moet zich tegenover de richting van de kettingrotatie bevinden. Als deze naar achteren wijzen, moet u de lus omdraaien.
6. Plaats de lus rond de kettingwielaandrijving. Plaats de kettingaandrijvingschakels in de zwaardgroef. Indien nodig, draait u aan de kettingspanning om een beetje spanning aan de ketting aan te brengen, wat de ketting op zijn plaats houdt.
7. Plaats het kettingwieldeksel terug.
8. Stel de kettingspanning af. Raadpleeg het hoofdstuk "Kettingspanning afstellen".

DE KETTINGSPANNING AANPASSEN

Zie pagina 286.

1. Maak de zwaardvergrendelknop voorzichtig los door de knop tegen de richting van de wijzers van de klok te draaien.
2. Om de kettingspanning te verhogen, draait u de kettingspannerafstelling in de richting van de wijzers van de klok en controleert u de kettingspanning regelmatig. Om de kettingspanning te verlagen, draait u de kettingspannerafstelling tegen de richting van de wijzers van de klok en controleert u de kettingspanning regelmatig.
3. De kettingspanning is correct wanneer de opening tussen de zaag in de ketting en het zwaard tussen de 3 en 4 mm is. Trek de ketting in het midden van de onderste zijde van het zwaard naar beneden (weg van het zwaard) en meet de afstand tussen het zwaard en de kettingsnijders.
4. Span de zwaardvergrendelknop aan door deze in de richting van de wijzers van de klok te draaien.

OPMERKING: De temperatuur van de ketting verhoogt tijdens normaal gebruik, waardoor de ketting uitzet. Controleer de kettingspanning regelmatig en span de ketting zonodig. Een ketting die warm gespannen wordt, kan te strak zijn na afkoelen. Zorg ervoor dat de kettingspanning correct is afgesteld, zoals gespecificeerd in deze instructies.

EN
FR
DE
ES
IT
NL
PT
DA
SV
FI
NO
RU
PL
CS
HU
RO
LV
LT
ET
HR
SL
SK
BG

MONTAGE

⚠ WAARSCHUWING

Als er onderdelen zijn beschadigd of ontbreken, gebruik dan het toestel niet vooraleer de onderdelen werden vervangen. Wanneer u deze waarschuwing niet in acht neemt, kan dit leiden tot ernstige letsels.

PRODUCT BEDIENEN

BRANDSTOF EN BIJTANKEN

Op veilige wijze omgaan met brandstof

⚠ WAARSCHUWING

Schakel de motor altijd uit voor u met brandstof vult. Nooit brandstof aan een apparaat toevoegen terwijl de motor draait of heet is. Zorg voor een afstand van minimaal 10 m tot de brandstoflocatie voordat u de motor start. Niet roken! Het niet opvolgen van deze waarschuwing kan resulteren in mogelijk lichamelijk letsel.

⚠ WAARSCHUWING

Controleer op brandstoflekkages. Als u er vaststelt, corrigeert u deze voor u het product gebruikt om brand of brandwonden te voorkomen.

- Behandel brandstof altijd voorzichtig, ze is uiterst ontvlambaar.
- Vul altijd buiten brandstof aan, weg van mogelijke ontstekingsbronnen, adem geen brandstofdampen in.
- Zorg ervoor dat benzine of olie niet in contact komt met uw huid. Als er contact optreedt, wast u onmiddellijk met veel water en zeep uit.
- Houd benzine en olie uit de buurt van uw ogen. Wanneer benzine of olie in contact komt met uw ogen, meteen uitspoelen met schoon water. Als de irritatie aanhoudt, onmiddellijk een dokter raadplegen.

Brandstof mengen

- Dit apparaat is voorzien van een tweetaktmotor die werkt op een mengsel van benzine en synthetische tweetaktolie (2% olie). Meng vooraf ongelode benzine en tweetaktmotorolie in een schone container die goedgekeurd is voor benzine.
- Deze motor is officieel geschikt verklaard voor het gebruik van ongelode autobenzine met een octaangetal van 91 $([R + M] / 2)$ of hoger.
- Gebruik nooit een voorgemengde benzine/olie-mix van tankstations. Waaronder de voorgemengde benzine/olie-mix die bedoeld is voor gebruik in bromfietsen, motorfietsen, enz.
- Gebruik een tweetakt zelfmengolie voor luchtgekoelde motoren van hoge kwaliteit. Gebruik geen smeermiddel voor auto's of tweetaktolie voor buitenboordmotoren.
- Meng 2% olie door de benzine. Dat is een verhouding van 50:1.
- Meng de brandstof zorgvuldig en doe dit elke keer voordat u bijtankt.
- Meng kleine hoeveelheden. Meng niet meer dan binnen een periode van 30 dagen kan worden verbruikt. Wij raden u aan om een synthetische tweetaktolie te gebruiken die een brandstofstabilisator bevat.

OPMERKING: Schade aan het brandstofsysteem of prestatieproblemen als gevolg van het gebruik van

geoxygeneerde brandstof die de hierboven aangegeven waarden overschrijdt, wordt niet door de garantie gedekt.

Brandstoftank vullen

Zie pagina 273.

- Maak het gebied rond de brandstofdop schoon om vervuiling te voorkomen.
- Maak de brandstoftank langzaam los.
- Giet het brandstofmengsel voorzichtig in de tank. Voorkom dat u morst.
- Voordat u de brandstofdop terugplaatst, afdichtring schoonmaken en controleren.
- Plaats de brandstofdop meteen terug en draai deze handvast. Veeg eventueel gemorste brandstof weg.

OPMERKING: durante e dopo il primo uso l'emissione di fumo da un motore nuovo è un fenomeno normale.

KETTINGSMEEROLIE TOEVOEGEN

Zie pagina 273.

⚠ WAARSCHUWING

Werk nooit zonder kettingsmeerolie. Als de zaagketting zonder smeermiddel dreigt te vallen, kunnen het zwaard en de zaagketting beschadigd raken. Het is daarom van essentieel belang om het oliepeil in de oliepeilmeter regelmatig te controleren en telkens voor u de kettingzaag begint te gebruiken.

1. Maak de omgeving rond de oliedop schoon om vervuiling te vermijden.
2. Schroef de dop los en verwijder ze van de olietank.
3. Giet de olie in de olietank en controleer de oliepeilmeter. Zorg ervoor dat er geen vuil in de olietank terecht komt wanneer u de machine met olie vult.
4. Plaats de oliedop terug en span aan. Veeg gemorste olie af.
5. Een volle olietank stelt u in staat om de zaag gedurende 20 - 40 minuten te gebruiken.

OPMERKING: Bij een goed werkend ketting- en zwaardsmeersysteem zal er tijdens gebruik normaal gezien olie uit de ketting komen. Om de werking van de ketting en het zwaardsmeersysteem te testen, richt u de punt van de ketting naar een licht gekleurd oppervlak, zoals vb. een krant. Na korte tijd moet een duidelijke olielijn merkbaar worden.

Aangewezen kettingsmeerolie

- De fabrikant raadt aan dat u uitsluitend Ryobi kettingzaagsmeerolie gebruikt. (Beschikbaar bij uw geautoriseerd onderhoudscentrum)

PRODUCT STARTEN

De startmethode verschilt afhankelijk van het feit of de motor warm of koud is.

⚠ WAARSCHUWING

Houd uw lichaam links van de zaaglijn. Houd de zaag of de ketting nooit scheef en leun niet over de zaaglijn.

- Plaats het product op een effen bodem en zorg ervoor dat er zich geen voorwerpen of blokkeringen in de onmiddellijke buurt bevinden die met het zwaard en de ketting in contact kunnen komen.
- Houd de voorste handgreep stevig vast met de linkerhand en plaats uw rechtervoet op het onderste gedeelte van de achterste handgreep.

OPMERKING: In de volgende startinstructies, wanneer de chokehendel volledig tot aan de START-positie is uitgetrokken, is de starthendel klaar om te starten. Om de gashendel terug in de RUN-positie te brengen, drukt u de gashendel in en laat u deze dan los.

Koude motor starten:

Zie pagina 272 - 273.

1. Draai de ontstekingsschakelaar in de AAN-stand.
2. Zorg ervoor dat de kettingrem zich in de BRAKE-positie bevindt door de gashendel/handbeschermer naar voor te drukken.
3. Druk de BRANDSTOFBALG 10 maal volledig in.
4. Trek de chokehendel volledig in de START-positie.
5. Wanneer het warmer is dan 10°C, trek aan het startkoord tot de motor probeert te starten. Probeer dit niet meer dan 3 keer. Wanneer het kouder is dan 10°C, trek dan aan het startkoord tot de motor probeert te starten. Probeer dit niet meer dan 5 keer.
6. Druk de chokehendel in de "halve" positie. Trek aan de startkoord tot de motor start.
7. Druk op de snelheidsontgrendeling en trek aan de snelheidshendel, laat dan de snelheidshendel los om de motor stationair te laten draaien.
8. Laat het product altijd 15 - 30 seconden stationair draaien.
9. Voor u met de motor accelereert of begint hout te zagen, zorgt u ervoor dat de kettingrem zich in de stand "draaien" bevindt door aan de remhendel/handbeschermer te trekken.

▲ LET OP

Het niet loslaten van de gashendel terwijl de kettingremhendel zich in de remstand bevindt, kan resulteren in ernstige schade aan het apparaat. Nooit de gashendel ingedrukt houden wanneer de kettingrem zich in de remstand bevindt.

Warme motor starten:

Zie pagina 281.

1. Draai de ontstekingsschakelaar in de AAN-stand.
2. Zorg ervoor dat de kettingrem zich in de BRAKE-positie bevindt door de gashendel/handbeschermer naar voor te drukken.
3. Druk 10 keer op de brandstofbalg.
4. Trek de chokehendel helemaal naar de "START"-stand en druk deze dan terug in de "draaien"-stand.
5. Trek aan de startkoord tot de motor draait, maar niet meer dan 5 keer. Druk op de snelheidsontgrendeling en trek aan de snelheidshendel, laat dan de snelheidshendel los om de motor stationair te laten draaien. Als de motor niet start na 5 leerlingen, gebruikt u de koude startprocedure.

6. Voor u met de motor accelereert of begint hout te zagen, zorgt u ervoor dat de kettingrem zich in de stand "draaien" bevindt door aan de remhendel/handbeschermer te trekken.

VAN OPERATIEMODUS VERANDEREN

Zie pagina 287.

Het product beschikt over een antivriesmodus die voorkomt dat er ijs in de carburateur binnendringt tijdens werking in temperaturen van $\leq 5^{\circ}\text{C}$.

Een ventilatie-opening aan de rechterkant van het luchtreinigingsdeksel kan opnieuw worden opgesteld om ervoor te zorgen dat warme lucht naar de motor wordt gevoerd en dat er zich ijs binnen de carburateur vormt.

▲ WAARSCHUWING

Wanneer u bij temperaturen van $\leq 5^{\circ}\text{C}$ niet van de normale modus naar de antivriesmodus schakelt, zal het uitputvermogen van de motor verminderen of tot een defect aan de motor leiden.

Denk er altijd aan om het product naar de normale bedrijfsmodus terug te zetten, wanneer er geen risico bestaat op de ijsvorming in de carburateur. Wanneer u bij normale temperaturen niet van de antivries- naar normale temperaturen terugschakelt, kan dit leiden tot motorpech.

DE MOTOR STOPPEN

Laat de gashendel los en laat de motor stationair draaien. Om de motor af te zetten, zet u de contactschakelaar in de stopstand "O". Leg de kettingzaag niet op de grond terwijl de ketting nog draait. Voor extra veiligheid dient u de kettingrem in te schakelen wanneer de zaag niet wordt gebruikt.

Voor het geval dat de contactschakelaar de zaag niet stopt, trekt u de chokehendel in de volledig uitgetrokken stand (Volledige choke) en schakelt u de kettingrem in om de motor uit te zetten. Als de contactschakelaar de zaag niet stopt wanneer deze in de stop-stand "O" wordt gezet, laat de contactschakelaar dan repareren voordat u de kettingzaag opnieuw gebruikt om onveilige situaties of ernstig letsel te voorkomen.

OPMERKING: Wanneer u klaar bent met het gebruik van het product, lost u steeds de tankdruk door de kettingsmeeren brandstofdoppen los te maken en opnieuw aan te spannen. Laat de motor afkoelen voordat u de kettingzaag opbergt.

PRODUCT VASTHOUDEN

Zie pagina 273.

Houd de kettingzaag altijd vast met de rechterhand op het achterste handvat en de linkerhand op het voorste handvat. Grijp beide handvatten met de duimen en vingers vast en omvat ze volledig. Zorg ervoor dat de linkerhand het voorste handvat vasthoudt en de duim zich onderaan bevindt.

KETTINGREM CONTROLEREN EN BEDIENEN

1. Activeer de kettingrem door de linkerhand rond het voorste handvat te draaien. Met de achterzijde van uw

- hand drukt u de kettingremhendel/handbeschermer in de richting van het zwaard terwijl de ketting snel ronddraait. Zorg ervoor dat u altijd beide handen op de handvatten van het product houdt.
- Zet de kettingrem terug in de stand "Draaien" door de bovenkant van de kettingremhendel/handbeschermer vast te nemen en deze in de richting van het voorste handvat te trekken tot u een klik hoort.

WAARSCHUWING

Indien de kettingrem de ketting niet onmiddellijk stopt, of indien de kettingrem niet in de draaistand wil blijven zonder hulp, breng dan de kettingzaag naar een erkend Homeliteonderhoudscentrum voor herstel vooraleer u het opnieuw gebruikt.

WAARSCHUWING

Wanneer de snelheidshendel wordt losgelaten en de motor op stationair toerental draait, mag de kettingzaag niet bewegen. Als het toch blijft bewegen, bestaat er ernstig gevaar voor zware verwondingen voor de chauffeur. Gebruik het product niet, maar brengt het naar een geautoiseerd onderhoudscentrum voor professionele afstelling.

KOPPELING CONTROLEREN

- Ontkoppel de kettingrem door de kettingremhendel/handbeschermer in de richting van het voorste handvat te trekken tot een klik hoorbaar wordt.
- Laat de motor stationair draaien. Zorg ervoor dat de ketting niet draait. Als de ketting roteert tijdens het hardlopen bij stationair toerental, kan de koppeling beschadigd worden. Het apparaat niet gebruiken. Retourneer het naar een erkend onderhoudscentrum voor een professionele afstelling.
- Druk de snelheidshendel halverwege en gebruik het product aan middelmatige snelheid. De zaagketting moet vlot ronddraaien als de koppeling zich in een goede bedrijfsstand bevindt.

Oorzaken en het voorkomen van terugslag:

Terugslag kan gebeuren wanneer de neus of de punt van het zaagblad een voorwerp raakt of het hout de kettingzaag afknelt in de zaagsnede.

Soms kan het contact van de punt leiden tot een plotse omgekeerde reactie, waardoor het zwaard wordt teruggeworpen en in de richting van de gebruiker wordt gegooid.

Wanneer u de zaagketting langs de bovenkant van het zwaard klemt, kan het zwaard snel achteruit in de richting van de gebruiker wordt geduwd.

Een van deze reacties kan ertoe leiden dat u de controle over de machine verliest, wat kan leiden tot ernstige lichamelijke letsels. Vertrouw niet uitsluitend op de veiligheidsvoorzieningen die in uw zaag zijn ingebouwd. Als gebruiker van de kettingzaag dient u diverse stappen te ondernemen om uw zaagwerkzaamheden te vrijwaren van ongelukken of letsels.

Terugslag is het resultaat van misbruik van het gereedschap en/of foutieve bedieningsprocedures of omstandigheden

66 | Nederlands

en kunnen worden vermeden door de volgende voorzorgen te nemen:

- Houd een stevige greep met de duimen en vingers rond de kettingzaaghandvatten, met beide handen op de zaag en plaats uw lichaam en arm zo dat u terugslagkrachten kunt weerstaan.** Terugslagkrachten kunnen door de gebruiker worden gecontroleerd als de nodige voorzorgen worden genomen. Laat de kettingzaag niet los.
- Overreik niet en zaag niet boven schouderhoogte.** Dit helpt voorkomen dat de punt ongewild contact maakt en geeft u betere controle over de kettingzaag in onverwachte omstandigheden.
- Gebruik uitsluitend vervangzwaarden en -kettingen die door de fabrikant zijn gespecificeerd.** Een foutief vervangzwaard of -ketting kan leiden tot kettingbreuk en/of terugslag.
- Volg de onderhoudsinstructies van de fabrikant van de kettingzaagmachine.** Het verminderen van de dieptemeterhoogte kan leiden tot verhoogde terugslag.

DUWEN EN TREKKEN

Zie pagina 279.

De reactiekracht is altijd tegenovergesteld aan de richting waarin de ketting beweegt. De gebruiker moet klaar zijn om de trekbeweging van de machine (voorwaarts beweging), te beheersen wanneer hij met de onderste rand van het zwaard zaagt en de duwbeweging (in de richting van de gebruiker) wanneer hij met de bovenste rand zaagt.

ZAAG ZIT VAST IN DE ZAAGSNEDE

Stop de kettingzaag en beveilig deze. Probeer de ketting en het zwaard niet uit de zaagsnede te forceren aangezien de kans groot is dat de ketting breekt en terugslaat, waardoor de gebruiker wordt geraakt. Deze situatie doet zich normaal voor omdat het hout foutief wordt ondersteund en de zaagsnede onder druk komt te staan, waardoor het zaagblad vast raakt. Als u de steun afstelt, laat u het zwaard en de ketting niet los, maar gebruik houten spieën of een hefboom om de zaagsnede te openen en de zaag te bevrijden. Probeer de kettingzaag nooit te starten wanneer het zwaard zich reeds in een zaagsnede of insnijding bevindt.

INSTRUCTIES MET BETREKKING TOT CORRECTE TECHNIEKEN VOOR HET VELLEN VAN BOMEN, SNOEIEN VAN TAKKEN EN DWARSZAGEN.

De krachten in het hout begrijpen

Als u de directionele druk en kracht in het hout begrijpt, kunt u de "knelpunten" verminderen of ze tenminste tijdens het zagen voorspellen. Spanning in het hout betekent dat de vezels uit elkaar worden getrokken en als u in deze omgeving de "insnijding" doorzaagt, zal de zaagsnede zich willen openen naargelang de zaag zich een weg door het hout baant. Als een houtblok op een zaagbank wordt ondersteund en het uiteinde hangt niet-ondersteund over, wordt spanning gecreëerd aan het buitenste oppervlak omwille van het gewicht van de overhangende blok die de vezels uitrekt. Op dezelfde manier zal de onderzijde van het houtblok onder druk staan en worden de vezels samengedrukt. Als u in deze buurt een insnede maakt,

zal de zaagsnede de neiging hebben om zich tijdens het zagen te sluiten. Dit zou het zaagblad inklemmen.

Een boom vellen

See page 277 - 278.

Als u een boom in stukken zaagt of velt, moet dit door twee of meer personen tegelijk worden uitgevoerd en moet het vellen van het verzagen worden verwijderd door een afstand van tenminste twee keer de hoogte van de te vellen boom. Bomen mogen niet worden geveld op een manier dat iemand in gevaar zou kunnen komen, een uitsleiding kan worden geraakt of er zich materiële schade kan voordoen. Als de boom in contact komt met een uitsleiding, moet de nutsmaatschappij onmiddellijk worden verwittigd.

De gebruiker van de kettingzaag moet heuvelopwaarts staan op het terrein omdat de boom, nadat deze geveld is, zeer waarschijnlijk omlaag zal rollen of glijden.

Er moet een ontsnappingsroute worden gepland en vrijgemaakt, voor het zagen begint. De ontsnappingsroute moet weg van en diagonaal ten opzichte van de achterzijde van de verwachte vallijn worden gelegd.

Voor u met het vellen start, moet u de natuurlijke helling van de boom overwegen, de locatie van grotere takken en de windrichting om te oordelen waar de boom zal neerkomen. Verwijder vuil, stenen, losse schors, nagels, nietjes en draden van de boom.

Probeer geen bomen te vellen die rot zijn of beschadigd zijn door wind, brand, bliksem, etc. Dit is uiterst gevaarlijk en mag uitsluitend door professionele boomchirurgen worden uitgevoerd.

■ Valkerf aanbrengen

See page 277 - 278.

Maak de valkerf 1/3 de diameter van de boom, zijdelings tot de richting van de val. Zorg ervoor dat de ondersnede eerst wordt aangebracht. Dit helpt voorkomen dat de kettingzaag of het zwaard vast komen te zitten wanneer de tweede snede wordt gemaakt.

■ Velsnede

See page 277 - 278.

Maak de velsnede tenminste 50 mm/2 hoger dan de valkerf. Houd de velsnede parallel tot de valkerf. Maak de velsnede zo dat er voldoende hout overblijft om als scharnier te werken. Het scharnierhout zorgt ervoor dat de boom omkantelt en in de verkeerde richting valt. Zaag niet door het scharnier.

Naarmate het vellen dicht bij de scharnier komt, moet de boom beginnen vallen. Als de kans bestaat dat de boom niet in de gewenste richting valt of terugkantelt en de zaagketting klemt, stopt u met zagen voor de valsnede voltooid is en gebruikt u houten, kunststof of aluminium spieën om de zaagsnede te openen en de boom in de gewenste vallijn te doen vallen.

Wanneer de boom begint te vallen, verwijdert u de kettingzaag uit de snede, legt u de motor stil, de kettingzaag neer en gebruikt u de geplande ontsnappingsroute. Wees alert voor vallende overhangende takken en let op waar u de voeten neerzet.

Hoofdwortels verwijderen

Zie pagina 278.

Zoals de naam al zegt, is een hoofdwortel een grote wortel die boven de grond vanuit de stam groeit. Verwijder grote hoofdwortels voorafgaand aan het vellen. Maak eerst een horizontale zaagsnede in de hoofdwortel, gevolgd door een verticale zaagsnede. Verwijder het losgezaagde stuk van de werkplek. Volg de juiste boomvelprocedure nadat u de grote hoofdwortels hebt verwijderd.

Afkorten

Zie pagina 279.

Verzagen betekent dat u een houtblok in stukken zaagt. Het is belangrijk te zorgen dat u stevig op de voeten staat en dat uw gewicht evenredig over beide voeten is verdeeld. Indien mogelijk, moet het houtblok worden opgeheven en ondersteund door takken, houtblokken of schoren. Volg de eenvoudige aanwijzingen voor gemakkelijk zagen. Wanneer het houtblok over de hele lengte wordt ondersteund, wordt het vanaf de bovenzijde gezaagd (bovensnede)

Wanneer het blok aan een zijde wordt ondersteund, zaagt u 1/3 de diameter vanaf de onderzijde (ondersnede). Dan maakt u de laatste zaagsnede langs de bovenzijde om de eerste zaagsnede te ontmoeten.

Wanneer het houtblok aan beide zijden wordt ondersteund, zaagt u 1/3 de diameter vanaf de bovenzijde (bovensnede). Dan maakt u de afgewerkte snede door de onderste 2/3 langs onder te zagen om de eerste snede te ontmoeten.

Wanneer u op een helling verzaagt, staat u altijd aan de bovenzijde van het houtblok. Wanneer u "doorzaagt" laat u de zaagdruk in de buurt van het einde van de zaagsnede los om de controle te behouden zonder uw grip op de kettingzaaghandvatten te verliezen. Laat de ketting de grond niet raken. Nadat u de zaagsnede hebt voltooid, wacht u tot de zaagketting is stilgevallen tot u de kettingzaag beweegt. Leg de motor altijd stil voor u van boom naar boom gaat.

Takken afzagen

Zie pagina 280.

Takken afzagen is het verwijderen van de takken van een geveld boom. Wanneer u de takken afzaagt, laat u de grotere, lager takken hangen om het houtblok van de grond te ondersteunen. De kleinere takken in een zaagsnede verwijderen Takken onder spanning moeten vanaf de rand naar boven worden gezaagd om te vermijden dat de kettingzaag verstrikt raakt.

Bomen onder spanning zagen

Zie pagina 280.

Met een gebogen tak bedoelen we in deze handleiding elke stam, tak, boomstronk of twijg die onder spanning gebogen staat door een ander stuk hout zodat het in zijn oorspronkelijke positie terugspringt zodra het hout dat de 'gebogen tak' in diens positie houdt, wordt gezaagd of verwijderd.

Bij een omgevallen boom is de kans groot dat een in de grond gewortelde boomstronk terugspringt in zijn oorspronkelijke positie tijdens het kortzagen om de stam van de stronk te scheiden. Pas op voor takken onder spanning, deze zijn gevaarlijk. Probeer geen gebogen

EN
FR
DE
ES
IT
NL
PT
DA
SV
FI
NO
RU
PL
CS
HU
RO
LV
LT
ET
HR
SL
SK
BG

takken of stempen te zagen die onder spanning staan tenzij u professioneel bent opgeleid en ervaring hebt om dit te doen.

TRANSPORT EN OPSLAG

- Sleg de motor stil, koppel de kettingrem, ontkoppel de bougiekabel van de bougie en laat afkoelen voor u de machine opbergt of transporteert.
- Verwijder alle vreemde voorwerpen van het product.
- Tap alle brandstof uit de tank af in een container die goedgekeurd is voor benzine. Onthoud om de brandstofmengseldop goed terug te plaatsen en aan te spannen.
- Laat de motor draaien tot deze stopt. Hierdoor wordt het brandstof-olie-mengsel verwijderd dat kan verouderen waardoor lak en hars kunnen achterblijven in het brandstofsysteem.
- Tap alle zaagblad- en kettingolie uit de tank af in een container die goedgekeurd is voor olie. Onthoud om de kettingsmeerdepod goed terug te plaatsen en aan te spannen.
- Installeer altijd het zwaarddeksel voor u het product opbergt of tijdens het transport.
- Bewaar op een koele, droge en goed geventileerde plaats die niet toegankelijk is voor kinderen. Houd corrosieve producten, zoals tuinchemicaliën en strooizout uit de buurt van het apparaat. Bewaar niet buitenshuis.
- Wanneer u het product voor korte afstand draagt (van het ene werkgebied naar het andere), activeert u altijd de kettingrem zodat de kettingzaag tegen beweging is beschermd.
- Wanneer u het product transporteert, beveilig t u het tegen bewegen of vallen om lichamelijke letsels of schade aan het product te voorkomen.
- Draag of transporteer het product nooit terwijl de motor draait.

Neem alle landelijke en regionale voorschriften voor de veilige opslag van en omgang met benzine in acht. Overtollige brandstof moet worden opgemaakt in andere apparaten met tweetaktmotoren.

ONDERHOUD

Bewaar het product altijd in een goede bedrijfsstoestand.

⚠ WAARSCHUWING

Gebruik uitsluitend originele vervangonderdelen, accessoires en voorzetstukken van de fabrikant. Als u dit niet doet, kan dit mogelijks letsels of slechte prestaties veroorzaken waardoor uw garantie kan vervallen.

⚠ WAARSCHUWING

Het onderhoud vereist extreme voorzichtigheid en deskundigheid en mag enkel door een gekwalificeerde onderhoudstechnicus worden uitgevoerd. Voor onderhoud en herstellingen, moet u het product naar uw dichtstbijzijnde geautoriseerd onderhoudscentrum terugbrengen. Gebruik voor het onderhoud alleen identieke vervangingsonderdelen.

⚠ WAARSCHUWING

Voor u het product inspecteert, reinigt of onderhoudt, legt u de motor stil, activeert u de kettingrem en ontkoppelt u de bougiekabel van de bougie. Het niet opvolgen van deze aanwijzingen kan resulteren in ernstig lichamelijk letsel of grote materiële schade.

- U kunt de afstellingen en reparaties die in deze gebruiksaanwijzing worden vermeld, uitvoeren. Voor andere herstellingen, neemt u contact op met uw geautoriseerd onderhoudsagent.
- De gevolgen van foutief onderhoud kunnen ertoe leiden dat de kettingrem en andere veiligheidsvoorzieningen niet correct werken, waardoor de kans op ernstige letsels verhoogt. Houd uw kettingzaag professioneel onderhouden en veilig.
- Het veilig slijpen van de ketting is een taak die gespecialiseerde kennis vereist. De fabrikant raadt daarom aan om een versleten of botte ketting door een nieuw exemplaar te vervangen, verkrijgbaar bij uw geautoriseerd Ryobi servicecentrum. Het onderdeelnummer is beschikbaar in de productspecificatie in deze gebruiksaanwijzing
- Volg de instructies voor het smeren en de afstelling en controle van de kettingspanning.
- Na elk gebruik, reinigt u het product met een zachte, droge doek.
- Controleer regelmatig of alle moeren, bouten en vijzen goed zijn vastgemaakt om zeker te zijn dat het product veilig kan worden gebruikt. Een beschadigd onderdeel moet door een geautoriseerd onderhoudscentrum goed worden gerepareerd of vervangen.

ZWAARD EN ZAAGKETING VERVANGEN

See page 282 - 285.

1. Product stoppen Draag beschermhandschoenen.
2. Ontkoppel de kettingrem.
3. Schroef de zwaardvergrendelknop los en verwijder het kettingwieldeksel.
4. Verwijder het zwaard en de zaagketting van de machine.
5. Reinig de onderkant van het kettingwiel.
6. Om het zwaard door een nieuwe exemplaar te vervangen, maakt u de schroef van de kettingspanning los. Monteer de kettingspanning op het nieuwe zwaard en span de moer aan.
7. Maak het zwaard en de kettingspanning aan de kettingzaag vast. Laat het zwaard zakken zodat de bout door de opening in het zwaard en de kettingspanning kan worden geschoven.

8. De zaagketting moet zich tegenover de richting van de kettingrotatie bevinden. Als deze naar achteren wijzen, moet u de lus omdraaien.
9. Plaats de lus rond de kettingwielaandrijving. Plaats de kettingaandrijvingssschakels in de zwaardgroef. Indien nodig, draait u aan de kettingspanning om een beetje spanning aan de ketting aan te brengen, wat de ketting op zijn plaats houdt.
10. Plaats het kettingwieldeksel terug.
11. Stel de kettingspanning af. Raadpleeg het hoofdstuk "Kettingspanning afstellen".

HET LUCHTFILTER REINIGEN

Zie pagina 290.

1. Product stoppen Zorg ervoor dat de kettingrem zich in de repositie bevindt.
1. Schroef de vergrendelknop op het luchtfilterdeksel los en verwijder het van het product.
2. Verwijder het luchtfilter.
3. Verwijder met een borstel stof en vuil op de luchtfilter. Indien nodig, haalt u de luchtfilter met behulp van een platte schroevendraaier uit elkaar en reinigt u de binnenkant.
4. Vervang het luchtfilterdeksel en span de vergrendelknop aan.

VONKENVANGER REINIGEN

Zie pagina 291.

⚠ WAARSCHUWING

De geluiddemper is warm tijdens en na gebruik van het product. Om ernstige verwondingen te voorkomen, houdt u alle lichaamsdeel weg van de geluiddemper tijdens en na het gebruik.

1. Product stoppen Zorg ervoor dat de kettingrem zich in de repositie bevindt. Laat de geluiddemper afkoelen.
2. Verwijder de schroef die het geluiddemperdeksel aan de getande bumper vasthoudt en verwijder dan de twee bouten op het geluiddemperdeksel.
3. Verwijder het geluiddemperdeksel.
4. Verwijder de vonkenvanger. Reinig het vonkenvangerscherm met een kleine, stalen borstel.
5. Plaats het geluiddemperdeksel terug. Om het geluiddemperdeksel terug te plaatsen, herhaalt u deze stappen in de omgekeerde volgorde.

⚠ WAARSCHUWING

De getande bumper is een veiligheidsvoorziening op het product. Maak met de juiste schroef vast nadat u het geluiddemperdeksel hebt teruggeplaatst. Wanneer u deze instructies niet naleeft, kan dit leiden tot ernstige verwondingen of de dood.

KETTINGREM INSPECTEREN EN REINIGEN

Zie pagina 294.

- Houd het kettingremmechanisme altijd schoon door de drijvers vrij van vuil te houden en licht af te borstelen.
- Test altijd de kettingremprestatie na het reinigen.

- Zie "Werking - Kettingrem controleren en bedienen" eerder in deze gebruiksaanwijzing voor meer informatie.

MOTORSNELHEID EN CARBURATEUR AFSTELLEN

⚠ WAARSCHUWING

Een foutieve afstelling van de carburateur kan het risico op letsels, dodelijke ongevallen of productschade verhogen. Om de carburateur af te stellen, brengt u het product naar een geautoriseerd onderhoudscentrum.

ONDERHOUDSSCHEMA

Dagelijkse controle	
Brandstofmengsel	Voor elk gebruik
Zaagbladsmering	Voor elk gebruik
Kettingspanning	Voor elk gebruik en regelmatig
Koppeling betrokkenheid (ketting beweegt niet bij stationair draaien)	Voor elk gebruik
Ketting scherpte	Voor elk gebruik, visuele controle
Op beschadigde onderdelen	Voor elk gebruik
Op losse binders	Voor elk gebruik
Op losse onderdelen	Voor elk gebruik
Kettingremfunctie	Voor elk gebruik
Voor brandstoflekken	Voor elk gebruik

CONTROLEER EN REINIG

Zwaard	Voor elk gebruik
Volledige zaag	Na elk gebruik
Luchtfilter	Elke 5 uur*
Kettingrem	Elke 5 uur*
Vervang brandstoffilter	Jaarlijks
Vervang brandstoffilter	Jaarlijks

*Uren in gebruik

RESTRISICO'S

Zelfs wanneer het product zoals voorgeschreven wordt gebruikt, is het nog steeds onmogelijk om bepaalde restrisico's volledig te elimineren. De volgende gevaren kunnen zich voordoen tijdens het gebruik en de gebruiker dient in het bijzonder aandacht te hebben om de volgende situaties te vermijden:

- Letsels veroorzaakt door trillingen. Gebruik altijd het juiste gereedschap voor de taak, gebruik de toegewezen handvaten en beperk de gebruikstijd en blootstelling.
- Blootstelling aan geluid kan gehoorletsels veroorzaken. Draag gehoorbescherming en beperk de blootstelling.

- Contact met blootgestelde zaagtanden van de zaagketting (snijgevaar).
- Onvoorziene, plotse bewegingen of terugslag van het zwaard (snijgevaar).
- Stukken die uit de kettingzaag worden weggegooid (snij/injectiegevaar).
- Uitgeworpen stukken van het werkstuk (houtzaagsel, splinters).
- Inhalatie van zaagstof en deeltjes of uitlaatgassen van de benzinemotor.
- Huidcontact met benzine/olie.

RISICOBEPERKING

Er zijn meldingen dat trillingen van handwerktuigen bij sommige mensen bijdragen tot het Syndroom van Raynaud. Symptomen kunnen ondermeer tintelingen, gevoelloosheid en bleek worden van de vingers omvatten, wat normaal gezien duidelijk wordt bij blootstelling aan koude. Erfelijke factoren, blootstelling aan koude en vocht, dieet, roken en werkroutine kunnen allemaal bijdragen tot de ontwikkeling van deze symptomen. Er kunnen door de bediener maatregelen worden genomen om de gevolgen van de trillingen te beperken:

- Houd bij koud weer uw lichaam warm. Draag handschoenen terwijl u het product gebruikt om de handen en polsen warm te houden. Men neemt aan dat koud weer een belangrijke factor is die bijdraagt tot het Syndroom van Raynaud.
- Doe oefeningen om de bloeddoorstroming te bevorderen na elke periode van gebruik.
- Neem regelmatig een pauze. Beperk het aantal uren dat u per dag wordt blootgesteld.
- Beschermhandschoenen van professionele kettingzaagmachinehandelaars zijn specifiek ontworpen voor gebruik met kettingzaagmachines en bieden bescherming en een goede greep. Handschoenen verminderen ook gevolgen van handvattrillingen. Deze handschoenen moeten overeenstemmen met EN381-7 en moet CE-gemarkeerd zijn.

Wanneer u enige van de symptomen van deze aandoening ervaart, stop dan onmiddellijk met het gebruik van het toestel en raadpleeg uw dokter

⚠ WAARSCHUWING

Letsels kunnen worden veroorzaakt of ernstiger worden door verlengd gebruik van een werktuig. Als u een werktuig gedurende langere periodes gebruikt, neem dan regelmatig pauze.

KEN UW PRODUCT

Zie pagina 271.

ONDERDELEN

1. Ketting
2. Zaagblad
3. Voorste handbescherming/Kettingrem
4. Voorste handvat
5. Luchtfilterdeksel

70 | Nederlands

6. Starthandgreep
7. Achterste handvat
8. Steunklauw
9. Geluiddemperdeksel
10. Brandstofmengseldop
11. Kettingoliekop
12. Contactschakelaar
13. Gashendelontgrendeling
14. Gashendel
15. Brandstofbalg
16. Chokehendel
17. Combinatiesleutel
18. Kettingwieldeksel
19. Kettingvanger
20. Kettingspannerafstelring
21. Zwaardvergrendelknop
22. Zwaarddeksel

VEILIGHEIDSVORZIENINGEN

ZAAGKETING MET LAGE TERUGSLAG

Een kettingzaag met weinig terugslag helpt de kans voor terugslag verminderen.

De dieptestellernok (tanddiepte) voor elke snijschakel kan de kracht van de terugslagreactie verminderen door te voorkomen dat de snijschakels zich te diep in het terugslaggebied ingraven. Gebruik uitsluitend een vervangzwaard en -kettingcombinatie, aangeraden door de fabrikant.

Wanneer zaagkettingen worden geslepen, verliezen ze iets van hun lage terugslag-functionaliteit en dient men extra op te letten. Voor uw veiligheid vervangt u de zaagkettingen wanneer de zaagprestaties verminderen.

STEUNKLAUW

De geïntegreerde bumperspike kan als middelpunt worden gebruikt wanneer u een insnedde maakt. Het helpt om het lichaam van de kettingzaag stabiel te houden tijdens het zagen. Tijdens het zagen drukt u de machine voorwaarts tot de pinnen zich in de rand van het hout zetten en door het achterste handvat naar boven of onder in de zaagrichting te bewegen, wat kan helpen om de fysieke inspanning van het zagen te verlichten

ZAAGBLADEN

Over het algemeen zijn zaagbladen met uiteinden met een kleinere radius iets minder terugslaggevoelig. Gebruik uitsluitend een vervangzwaard en -kettingcombinatie, aangeraden door de fabrikant. Het gebruik niet aangewezen zwaarden kan het risico op controleverlies tijdens het zagen verhogen. Controleer regelmatig de spanning. Wanneer u kleinere takken zaagt (kleiner dan de volledige lengte van het zwaard) is de kans dat de ketting wordt afgeworpen groter als de spanning niet correct is.

KETTINGREM

Kettingremmen zijn ontworpen om het draaien van de ketting snel te stoppen. Wanneer de kettingremhendel/handbescherming naar het zaagblad wordt gedruwd, moet de ketting onmiddellijk stoppen. Een kettingrem voorkomt geen terugslag. Het vermindert het risico op letsels in geval het zwaard in contact komt met het lichaam van de gebruiker tijdens terugslag. De Kettingrem moet worden

getest voor elk gebruik op correcte werking in de stand draaien en rem.

KETTINGVANGER

Een kettingvanger voorkomt dat de kettingzaagmachine wordt teruggeworpen in de richting van de gebruiker als de zaagketting los raakt of breekt.

SYMBOLEN OP HET PRODUCT



Waarschuwing



Lees en begrijp alle instructies voor u het product bedient, volg alle waarschuwingen en veiligheidsinstructies.



Draag gezichts-, gehoor- en hoofdbescherming.



Draag anti-slipschoeisel wanneer u het product gebruikt.



Draag zware, antislip handschoenen.



Pas op voor de terugslag van de kettingzaagmachine en vermijd contact met de zwaardtip.



Houd de kettingzaag altijd met uw twee handen vast bij gebruik.



Gebruik de kettingzaag niet door deze met één hand vast te houden.



Dit apparaat voldoet aan alle geldende normen van Lid-Staat van de Europese Unie waar het werd gekocht.



Gebruik loodvrije autobenzine met een octaangehalte van 91 ([R+M]/2) of hoger.



Gebruik 2-taktolie voor luchtgekoelde motoren.



Meng de brandstof grondig en telkens voor u opnieuw met brandstof vult.



Telkens u brandstof aan het product toevoegt, zwaard- en kettingolie toevoegen.



Zet de kettingrem in de stand "DRAAIEN".



Zet de kettingrem in de stand "REM".



Draai de ontstekingschakelaar in de AAN-stand.



Druk de BRANDSTOFBALG 10 maal volledig in.



Zet de chokehendel in de chokestand "FULL".



Trek aan het startkoord tot het eerste starten van de motor hoorbaar is (niet meer dan vijf startpogingen).



Zet de chokehendel in de chokestand "HALF".



Trek aan de startkoord tot de motor start.



Druk op de aan-/uit ontgrendelknop en de snelheidshendel.



EurAsian-symbool van overeenstemming



Het gegarandeerde geluidsniveau bedraagt 112 dB.



Zwaard- en kettingsmeermiddel



Loodvrije benzine en tweetaktolie



Stand draaien



Halve choke-positie



Chokestand "FULL"







Vergrendeling



Ontgrendelen

EN
FR
DE
ES
IT
NL
PT
DA
SV
FI
NO
RU
PL
CS
HU
RO
LV
LT
ET
HR
SL
SK
BG

-  Draai om de kettingspanning aan te passen
+ = Ketting aanspannen
- = Ketting lossen
-  Beweegrichting van de ketting (Gemarkeerd onder het kettingwieldeksel)
-  Normale modus
-  Antivriesmodus
- T Stationaire snelheidsafstelling
- H Hoge snelheidsafstelnaald
- L Lage snelheids afstelnaald

SYMBOLEN IN DEZE GEBRUIKSAANWIJZING

-  Meng brandstof in de open lucht waar geen vonken of vlammen zijn.
-  Verboden te roken wanneer u de brandstoftank vult of brandstof mengt.
-  Onderdelen of accessoires afzonderlijk verkocht
-  Elektrisch afval mag niet samen met ander huishoudafval worden weggegooid. Gelieve te recycleren indien de mogelijkheid bestaat.
-  Opmerking
-  Waarschuwing!
-  Draag oog- en gezichtsbescherming.
-  Draag bescherming voor het bovenlichaam.
-  Draag beenbescherming.



Product stoppen



Vergrendel het filtertoegangsdeksel.



Ontgrendel het filtertoegangsdeksel.

De volgende signaalwoorden en betekenissen zijn bedoeld om de gevaarniveaus die met het product zijn verbonden, te verklaren:

GEVAAR

Wijst op een gevaarlijke situatie die, als ze niet wordt voorkomen, dodelijk kan zijn of ernstige verwondingen kan veroorzaken.

WAARSCHUWING

Wijst op een mogelijks gevaarlijke situatie die, als ze niet wordt voorkomen, dodelijk kan zijn of ernstige verwondingen kan veroorzaken.

LET OP

Wijst op een mogelijks gevaarlijke situatie die, als ze niet wordt voorkomen, kleine of middelmatige verwondingen kan veroorzaken.

LET OP

Zonder veiligheidswaarschuwingssymbool

Wijst op een situatie die kan leiden tot materiële schade.

Segurança, desempenho e fiabilidade receberam prioridade de topo na conceção de sua Motosserra a gasolina.

USO PREVISTO

O produto apenas se destina a ser usado ao ar livre numa área bem ventilada. Por razões de segurança, o aparelho tem que ser adequadamente controlado através da operação com as duas mãos em todos os momentos.

Este produto é concebido para cortar ramos, troncos, cepos e vigas de um diâmetro determinado pelo comprimento de corte da barra-guia. Apenas foi concebida para cortar madeira. Só deve ser utilizado em aplicações domésticas por adultos que tenham recebido formação adequada sobre os perigos e medidas/ações preventivas a tomar durante a sua utilização.

Não use o produto para qualquer finalidade que não esteja listada acima. Não deve ser usado para serviços profissionais de corte de árvores. O produto não deve ser usada por crianças ou por pessoas que não usem o equipamento de proteção pessoal e vestuário adequados.

⚠ ADVERTÊNCIA

Ao utilizar o produto, devem seguir-se as normas de segurança. Para sua própria segurança e a dos transeuntes, deve ler e compreender todas estas instruções antes de começar a utilizar o aparelho. Deve participar num curso de segurança organizada profissional sobre a utilização, ações preventivas, primeiros socorros e manutenção de motosserras. Guarde as instruções para usá-las no futuro.

⚠ ADVERTÊNCIA

As moto-serras são ferramentas potencialmente perigosas. Os acidentes que envolvem o uso frequente de moto-serras podem causar a perda de membro ou a morte. A moto-serra não é a única que implica risco. Os ramos que caem, o derrube de árvores, ou troncos a girar podem causar a morte. A madeira doente ou pode implicar perigos adicionais. Deve avaliar a sua capacidade para efetuar a tarefa de forma segura. Em caso de dúvida, peça a um profissional de corte de árvores para fazer o trabalho.

AVISOS GERAIS DE SEGURANÇA

- Algumas regiões têm normas que limitam o uso do produto. Consulte a sua autoridade local para obter informação.
- Nunca permita que crianças ou pessoas que não estejam familiarizadas com estas instruções utilizem o produto. A legislação local pode restringir a idade do operador.
- Certifique-se antes de cada uso que todos os controlos e dispositivos de segurança funcionam corretamente. Não utilize o aparelho se o interruptor "off" não parar o motor.
- Nunca ligue ou coloque o motor a trabalhar numa área

fechada ou pouco ventilada; a inalação dos gases de escape pode matar.

- Limpe a zona de trabalho antes de cada uso, uma zona de trabalho desorganizada e suja pode provocar acidentes.
- Use proteção auditiva e ocular completa, luvas resistentes, calçado de segurança com solas anti-deslizantes e um capacete durante a utilização do produto. Use uma máscara de rosto caso a operação seja poeirenta.
- Não use roupa folgada, calças curtas ou joias de qualquer tipo.
- Prenda o cabelo comprido para que fique acima do nível dos ombros para evitar que fique emaranhado em peças móveis.
- Tenha cuidado com os objetos projetados, que voam ou caem. Mantenha todos os espectadores (especialmente crianças e animais) a uma distância de pelo menos 15m da área de trabalho.
- Não utilize o produto em atmosferas inflamáveis ou explosivas.
- Segure firmemente em ambas as pegadas enquanto utiliza o produto.
- Ao operar esta unidade, permaneça alerta, tenha em atenção ao que está a fazer e use o bom senso. Não opere este produto se estiver cansado ou sob a influência de drogas, álcool ou medicamentos. Uma falta de concentração durante o funcionamento do cortador pode resultar em lesão corporal grave.
- Não utilize esta ferramenta numa zona com pouca luz. O operador necessita de uma visão clara da área de trabalho para identificar potenciais perigos.
- O uso da proteção auditiva reduz a sua capacidade de ouvir avisos (gritos ou alarmes). O operador deve prestar atenção extra àquilo que está a acontecer na área de trabalho.
- Operar ferramentas similares nas proximidades aumenta tanto o risco de lesão auditiva e o potencial para outras pessoas entrarem na sua área de trabalho.
- Mantenha-se bem apoiado e equilibrado. Não se aproxime em demasia. Esticar-se demasiado pode resultar na perda de equilíbrio ou na exposição a superfícies quentes, aumentando assim o risco de ressalto.
- Mantenha qualquer peça em movimento longe do seu próprio corpo.
- Não toque na área em redor do sistema de silenciador e motor da unidade, já que estas peças aquecem durante o funcionamento.
- Inspeccione a máquina antes de cada uso. Verifique o correto funcionamento de todos os controlos, incluindo o travão da corrente. Verifique que não há peças de fixação soltas, assegure-se de que todas as proteções e cabos estão bem fixos. Substitua qualquer peça danificada antes da utilização.
- Não modifique a máquina em qualquer forma nem use peças e acessórios que não sejam recomendados pelo fabricante.

⚠️ ADVERTÊNCIA

Se o aparelho cair, sofrer um impacto forte ou começar a vibrar de maneira anormal, pare-o imediatamente e verifique se está danificado ou identifique o motivo da vibração. Qualquer dano deve ser devidamente reparado ou substituído por um centro de assistência autorizado.

- Quando a mistura de combustível ou encher o tanque de combustível, não fumar e manter 10 m de distância de qualquer fonte de ignição.
- Misture e guarde o combustível num recipiente aprovado para acondicionar gasolina.
- Misture o combustível ao ar livre, afastado de faiscas ou chamas. Limpe eventuais derrames de combustível. Afaste-se 10 m (30 pés) do local de abastecimento antes de ligar o motor.
- Pare o motor e deixe arrefecer antes de voltar a abastecer, armazenar ou transportar o aparelho.
- Lembre-se que deve fechar adequadamente todas as tampas do depósito de combustível após o reabastecimento ou mistura.

AVISOS DE SEGURANÇA DA MOTOSSERRA

- Coloque sempre a tampa da barra de guia quando não estiver a utilizar o produto ou quando for transportado. Tal ajudará a reduzir o risco de contacto accidental com as afiadas lâminas da correia. Transporte o produto pela pega superior com a barra de guia afastada do seu corpo.
- Deve familiarizar-se com a sua nova motosserra fazendo cortes simples em madeira firmemente apoiada. Faça isto sempre que não tenha operado a serra há algum tempo.
- Corte os troncos sobre um cavalete ou base ao utilizar o produto pela primeira vez.
- Certifique-se de todas as proteções, pegas e para-choques dentado estão devidamente instalados e em boas condições.
- As pessoas que utilizarem o produto devem estar em bom estado de saúde. O produto é uma unidade pesada pelo que o operador deve estar em boa forma física. O operador deve estar alerta, ter boa visão, mobilidade, equilíbrio e destreza manual. Se tiver alguma dúvida, não utilize o produto.
- Não se posicione sobre superfícies sem estabilidade enquanto usa o produto. Isto inclui, entre outros, escadas, andaimes e árvores. Mantenha ambas as mãos nas pegas do produto a todo o momento.
- Não comece a usar o produto até que tenha uma área de trabalho clara, base segura e um caminho de retirada planeada afastado da queda da árvore.
- Utilize extrema cautela ao cortar arbustos de pequena dimensão e árvores novas, já que há o risco de material fino ficar preso na corrente e ser projectado em direcção a si ou puxá-lo, fazendo com que perca o equilíbrio.
- Quando cortar uma pernada que esteja tensada, esteja

alerta em relação ao efeito de ricochete, de modo a não ser atingido quando a tensão das fibras de madeira for libertada.

- Tome cuidado com as emissões de gases de escape, os vapores de óleo e a serradura. Coloque uma máscara ou um respirador quando for necessário.
- Não corte as videiras e/ou mato pequeno (menos de 75 mm de diâmetro).
- Segure sempre a motosserra com ambas as mãos ao operar a serra. Segure firmemente na ferramenta, com os polegares e os dedos envolvendo as pegas da serra de corrente. A mão direita deve estar na pega traseira e a mão esquerda sobre a pega dianteira.
- Antes de iniciar a ferramenta, certifique-se que a corrente não está em contacto com qualquer objeto. Arranque sempre o produto com o travão de mão acionado (totalmente para a frente).
- Não modifique o seu produto de nenhum modo nem o utilize para alimentar acessórios ou dispositivos não recomendados pelo fabricante para o seu produto.
- Deve haver um kit de primeiros socorros que contenha grandes pensos para feridas e um meio para chamar a atenção (por exemplo, um apito) próximo do operador. Um kit maior e mais abrangente deve estar, razoavelmente, nas proximidades.
- O operador pode ficar tentado a remover o capacete, caso não exista perigo de queda de objetos na área de trabalho, mas lembre-se que o capacete, particularmente com a viseira de malha, pode ajudar a reduzir o potencial de lesões no rosto e na cabeça em caso de ressalto.
- Uma corrente incorretamente sujeita a tensão pode saltar fora da barra de guia e pode resultar em ferimentos graves ou morte. O comprimento da corrente depende da temperatura e desgaste da corrente. Verifique a tensão regularmente.
- Mantenha os manipuladores secos, limpos e livres de óleo e graxa. As pegas gordurosas e oleosas são escorregadias, provocando a perda de controlo.
- Para reduzir o risco de lesões por contacto com as peças móveis, pare sempre o motor, acione o travão da corrente, retire o cabo da vela de ignição e certifique-se de que todas as peças móveis já pararam totalmente antes
 - limpeza e desobstrução de bloqueio
 - deixar o produto sem vigilância
 - instalar ou remover acessórios
 - verificar, fazer a manutenção ou funcionar com o produto
- O tamanho da área de trabalho depende do trabalho a ser realizado, bem como do tamanho da árvore ou da peça alvo da intervenção. Por exemplo, abater uma árvore requer uma maior área de trabalho do que para fazer outros cortes, como por exemplo, cortes de divisão de troncos, etc. O operador precisa estar atento e em controlo de tudo o que está a acontecer nesta área de trabalho.
- Não corte com o seu corpo em linha com a barra de guia e corrente. Caso ocorra um ressalto, isto ajudará a evitar a corrente de entrar em contacto com a sua

cabeca ou corpo.

- Não realize movimentos de serrar para a frente e para trás; deixe que a corrente faça o trabalho. Mantenha a corrente afiada e não tente exercer pressão com a corrente no corte.
- Não exerça pressão na serra no fim do corte. Prepare-se para aguentar com o peso da serra quando esta se liberta da madeira. O incumprimento desta indicação pode causar possíveis lesões pessoais graves.
- Não pare a serra a meio de uma operação de corte. Mantenha a serra a funcionar até que tenha sido removida do corte.

Equipamento de proteção pessoal

Os equipamentos de proteção individual de boa qualidade, conforme os utilizados por profissionais, ajudarão a reduzir o risco de ferimentos ao operador. Os itens seguintes devem ser utilizados ao operar a sua motosserra:

Capacete de segurança

- deverá cumprir a norma EN 397 e possuir a marcação CE

Proteção auricular

- deverá cumprir a norma EN 352-1 e possuir a marcação CE

Proteção para os olhos e rosto

- devem possuir a marcação CE e cumprir com EN 166 (para óculos de segurança) ou EN 1731 (para viseiras de malha)

Guantes

- deverá cumprir a norma EN 397 e possuir a marcação CE

Proteção das pernas (perneiras)

- deve cumprir com a norma EN381-5, possuir a marcação CE e fornecer uma proteção completa.

Botas de segurança para motosserra

- deve cumprir com a norma EN ISO 20345:2004 e possuir uma marcação a ilustrar uma motosserra para demonstrar a conformidade com EN 381-3. (Os utilizadores ocasionais podem usar botas de segurança com biqueira de aço com polainas de proteção conformes à EN 381-9, caso o piso seja nivelado e exista pouco risco de tropeçar ou ficar preso na vegetação rasteira)

Casacos próprios para motosserra para proteção do corpo superior

- deverá cumprir a norma EN 381-11 e possuir a marcação CE

MONTAR A CORRENTE DA SERRA E A BARRA DE GUIA

Ver a página 273, Fig. 5 - 8.

1. Pare o aparelho. Use luvas de proteção.
2. Solte o travão da corrente.
3. Desaperte o manípulo de bloqueio da barra guia e remova a capa da roda dentada.
4. Coloque a barra de guia e o tensor de correia da motosserra. Desça a barra de guia para que o perno passe através do orifício na barra e no tensor de correia.
5. A motosserra deve estar virada na direção da rotação da corrente. Se estiverem virados para trás, vire o anel.
6. Coloque o laço em torno da roda motora. Coloque as ligações da direção da corrente na ranhura da barra. Se for necessário, rode o tensor da corrente para aplicar alguma tensão sobre a corrente. Isso ajudará a mantê-la no sítio.
7. Volte a colocar a tampa da roda dentada.
8. Ajuste a tensão da corrente. Consulte a secção "Ajustar a tensão da corrente".

AJUSTE DA TENSÃO DA CORRENTE

Ver a página 286.

1. Desaperte ligeiramente o manípulo de bloqueio da barra guia rodando-o no sentido contrário ao dos ponteiros do relógio.
2. Para aumentar a tensão da corrente, gire o anel de ajuste do tensor da corrente no sentido dos ponteiros do relógio e verifique a tensão da corrente frequentemente. Para reduzir a tensão da corrente, gire o anel de ajuste do tensor da corrente no sentido contrário ao dos ponteiros do relógio e verifique a tensão da corrente frequentemente.
3. A tensão da corrente está correta quando o espaço livre entre o cortador na corrente e a barra seja de 3 mm a 4 mm. Puxe a corrente no meio do lado inferior da barra para baixo (afastando da barra) e meça a distância entre a barra e os cortadores da corrente.
4. Aperte o manípulo de bloqueio da barra guia rodando-o no sentido dos ponteiros do relógio.

NOTA: A temperatura da corrente aumenta durante o funcionamento normal, fazendo com que a corrente se estique. Verifique a tensão da corrente frequentemente e volte a tensá-la conforme necessário. Uma corrente tensada enquanto está quente pode ficar demasiado apertada quando arrefecer. Assegure-se de que a tensão da correia está correctamente ajustada conforme se especifica nestas instruções.

MONTAGEM

⚠ ADVERTÊNCIA

Se qualquer peça estiver danificada ou em falta, não utilize este produto até as peças serem repostas. A inobservância deste aviso pode resultar em graves ferimentos pessoais.

USO DO PRODUTO

ABASTECIMENTO E REABASTECIMENTO DE COMBUSTÍVEL

Manusear combustível de forma segura

⚠ ADVERTÊNCIA

Apague sempre o motor antes de o encher de combustível. Nunca reabasteça uma máquina com o motor a trabalhar ou quente. Afaste-se no mínimo 9 m (30 ft.) do local de reabastecimento antes colocar o motor em funcionamento. Não fume! Caso contrário, poderão ocorrer ferimentos pessoais.

⚠ ADVERTÊNCIA

Verifique se existem fugas de combustível. Se detectar algo, corrija antes de usar o produto para evitar incêndio ou ferimentos.

- Manuseie sempre o combustível com cuidado, é altamente inflamável.
- Reponha o combustível sempre em espaços exteriores, longe de potenciais fontes de ignição, não inale os vapores de combustível.
- Evite que gasolina ou óleo entrem em contacto com a pele. Em caso de contacto, lavar imediatamente com sabão e água abundante.
- Mantenha a gasolina ou o óleo afastados dos olhos. Na eventualidade de gasolina ou óleo entrarem em contacto com os olhos, lave-os imediatamente com água límpida. Se os olhos continuarem irritados, consulte um médico imediatamente.

Mistura do combustível

- A sua ferramenta funciona com um motor de 2 tempos que requer uma mistura de gasolina e de óleo de síntese 2 tempos (proporção 2%). Realize a pré-mistura de gasolina sem chumbo e de óleo para motores de 2 tempos num recipiente limpo aprovado para acondicionar gasolina.
- Este motor encontra-se certificado para operar com gasolina sem chumbo prevista para uso em veículos automóveis, com um índice de octanas de 91 ([R + M] / 2) ou superior.
- Não utilize nenhum dos tipos de pré-misturas de gasolina/óleo vendidos em estações de serviço. Inclui a pré-mistura de gasolina/óleo para uso em ciclomotores, motociclos, etc.
- Use uma alta qualidade 2-ciclo de auto-mistura de lubrificantes para motores refrigerados a ar. Não use lubrificante automotivo ou 2-ciclo motor de popa lubrificante.
- Misture 2% de óleo na gasolina. Esta é uma razão de 50:1.
- Misture o combustível muito bem e sempre que abastecer o aparelho.

- Misture pequenas quantidades. Não misture quantidades superiores às que serão utilizadas ao longo de um período de 30 dias. Recomenda-se um lubrificante de dois tempos com estabilizador de combustível.

NOTA: Danos no sistema de combustível ou problemas de desempenho decorrentes da utilização de um combustível oxigenado contendo mais do que os percentuais de oxigenados afirmado anteriormente não são cobertos pela garantia.

Enchimento do depósito de combustível

Ver a página 273.

- Limpe a superfície à volta do tampão do depósito de combustível para evitar a contaminação.
- Desaperte a tampa de combustível lentamente.
- Deite a mistura de combustível no depósito, de forma cuidadosa. Evite derramar combustível.
- Antes de colocar o tampão, limpe e examine a junta.
- Coloque imediatamente o tampão do depósito de combustível e aperte-o à mão. Limpe eventuais derrames de combustível.

NOTA: É normal que o motor a emitir fumaça durante e após o primeiro uso.

ADICIONAR ÓLEO LUBRIFICANTE DA CORRENTE

Ver a página 273.

⚠ ADVERTÊNCIA

Nunca trabalhe sem lubrificante da corrente. Se a moto-serra estiver a funcionar sem lubrificante, a barra guia e a moto-serra podem ficar danificadas. Por conseguinte, é indispensável verificar o nível de óleo no medidor de nível do óleo regularmente e sempre antes de começar a usar a motosserra.

1. Limpe a superfície ao redor da tampa do óleo para evitar a contaminação.
2. Desaparafuse e remova o tampão do depósito do óleo.
3. Verta o óleo no depósito de óleo e monitorize o indicador de nível de óleo. Certifique-se que não entra sujidade no depósito de óleo enquanto abastece de óleo.
4. Coloque o tampão do depósito de óleo novamente e aperte-o. Limpe qualquer respingo.
5. Um depósito cheio de óleo permite que usar a serra durante 20 - 40 minutos.

NOTA: Um sistema de lubrificação de barra e uma correia a funcionar adequadamente normalmente descarrega óleo da correia durante o uso. Para comprovar o funcionamento do sistema de lubrificação da barra e da correia, dirija o extremo da correia para uma superfície de cor clara, como um jornal. Após algum tempo, deve ver-se uma linha de salpicadura de óleo.

Óleo lubrificante da corrente recomendado

- O fabricante recomenda utilizar apenas o óleo lubrificante de moto-serra Ryobi. (Disponível no seu centro de serviço autorizado)

ARRANCAR O PRODUTO

O método de arranque varia consoante o motor estiver frio ou quente.

⚠ ADVERTÊNCIA

Mantenha o corpo à esquerda da linha da corrente. Nunca coloque a serra ou a corrente entre as pernas ou se debruce sobre a linha da corrente.

- Coloque o produto ao nível do solo e certifique-se de que não existem quaisquer objetos ou obstruções nas proximidades que poderiam entrar em contacto com a barra e a corrente.
- Agarre a pega frontal com firmeza usando a mão esquerda e coloque o pé direito na base da pega traseira.

NOTA: Nas seguintes instruções de arranque, quando puxar a alavanca do starter para a posição START, a válvula fica pronta para arrancar. Para devolver a válvula para a posição RUN, aperte e solte o gatilho da válvula.

Para ligar um motor frio:

Ver páginas 272 - 273.

1. Coloque o interruptor de arranque na posição ON.
2. Assegure-se de que o travão da cadeia está na posição BRAKE empurrando-a para a frente na alavanca/protecção para as mãos.
3. Prima totalmente e solte o BALÃO DE DETONAÇÃO 10 vezes.
4. Puxe a alavanca de arranque toda para fora para a posição START.
5. Quando a temperatura está acima dos 10°C, puxe o punho do accionador de arranque até o motor tentar arrancar, mas não mais do que 3 vezes. Quando a temperatura está abaixo dos 10°C, puxe o punho do accionador de arranque até o motor tentar arrancar, mas não mais do que 5 vezes.
6. Coloque a alavanca de arranque na posição "média". Puxe a pega de arranque até que o motor arranque.
7. Solte o bloqueio do gatilho e aperte o gatilho do acelerador, a seguir, solte o gatilho do acelerador para voltar a colocar o motor ao ralenti.
8. Deixe o produto funcionar ao ralenti durante 15-30 segundos.
9. Antes de acelerar o motor ou cortar madeira, assegure-se de que o travão da corrente se encontra na posição "run" (funcionamento) puxando para trás com a alavanca do travão / protecção de mão.

⚠ ADVERTÊNCIA

A não libertação parcial do acelerador quando a alavanca do travão da corrente está na posição de travagem resultará em graves danos no equipamento. Nunca aperte e mantenha premido o actuator do acelerador enquanto o travão da corrente estiver na posição de travagem.

Para ligar um motor quente:

Ver a página 281.

1. Coloque o interruptor de arranque na posição ON.
2. Assegure-se de que o travão da cadeia está na posição BRAKE empurrando-a para a frente na alavanca/protecção para as mãos.
3. Pressione o cartucho principal 10 vezes.
4. Empurre totalmente a alavanca de controlo até à posição de "início" e depois volte a colocar na posição "RUN".
5. Empurre o gancho de arranque até o motor arrancar, mas não mais de 5 vezes. Solte o bloqueio do gatilho e aperte o gatilho do acelerador, a seguir, solte o gatilho do acelerador para voltar a colocar o motor ao ralenti. Se o motor não arrancar após 5 tentativas, use o procedimento de arranque do motor a frio.
6. Antes de acelerar o motor ou cortar madeira, assegure-se de que o travão da corrente se encontra na posição "run" (funcionamento) puxando para trás com a alavanca do travão / protecção de mão.

ALTERNÂNCIA ENTRE OS MODOS DE FUNCIONAMENTO

Ver a página 287.

O produto conta com um modo anticongelante que evita a formação de gelo no interior do carburador durante o funcionamento a temperaturas de $\leq 5^{\circ}\text{C}$.

Uma escotilha de ventilação no lado direito da cobertura do filtro de ar pode recolocar-se para permitir fornecer ar quente ao motor e evitar a formação de gelo no interior do carburador.

⚠ ADVERTÊNCIA

Se não funcionar a alternância de modo normal para modo anticongelante a temperaturas de $\leq 5^{\circ}\text{C}$, a potência de saída do motor reduzirá ou ocorrerá uma falha do motor.

Lembre-se de voltar o produto ao modo de funcionamento normal quando não há risco de formação de gelo no interior do carburador. Uma falha na alternância de modo anticongelante para modo normal a temperaturas normais pode provocar uma falha no motor.

PARAGEM DO MOTOR

Liberte o actuator do acelerador e deixe o motor regressar ao ralenti. Para parar o motor, coloque o interruptor de ignição na posição "O" de paragem. Não coloque a serra no chão enquanto a corrente estiver em movimento. Para uma segurança adicional, actue o travão da corrente quando a serra não está a ser utilizada.

No caso de o interruptor de ignição não parar a serra, puxe a alavanca de mistura (dispositivo auxiliar de arranque) para fora para a posição totalmente extraída (actuação total) e actue o travão de corrente para parar o motor. Se o interruptor de ignição não parar a serra quando colocado na posição de paragem "O", deverá tomar providências para reparar o interruptor de ignição, antes de voltar a utilizar a serra de novo, de molde a prevenir a ocorrência de condições pouco seguras ou ferimentos graves.

NOTA: Quando tiver terminado de usar o produto, liberte sempre a pressão do depósito desapertando e voltando a apertar as tampas do combustível e do lubrificante da

corrente. Antes de guardar a serra, permita que o motor arrefeça.

SEGURAR O PRODUTO

Ver a página 273.

Segure sempre a motosserra com a sua mão direita na pega traseira e com a sua mão esquerda na pega dianteira. Segure ambas as pegas com os polegares e os dedos que cercam as pegas. Assegure-se de que a sua mão esquerda está a segurar o manipulo frontal de modo a que o polegar esteja por baixo.

VERIFICAÇÃO E FUNCIONAMENTO DO TRAVÃO DE CORREIA

1. Acione o travão da corrente rodando a sua mão esquerda ao redor da pega dianteira. Usando a palma da sua mão, empurre a alavanca do travão da corrente/proteção manual na direcção da barra enquanto a corrente está a rodar rapidamente. Assegure-se que mantém ambas as mãos nas pegas do produto em todos os momentos.
2. Redefina o travão da corrente de volta para a posição de funcionamento segurando no cimo da alavanca do travão da corrente/proteção manual e puxando em direcção à pega dianteira até ouvir um clique.

⚠ ADVERTÊNCIA

Se o travão de corrente não pára a corrente de imediato, ou se o travão de corrente não permanea na posição de funcionamento sem auxílio, leve a serra a um centro de assistência autorizado para a reparar antes de usar.

⚠ ADVERTÊNCIA

Quando se solta o gatilho do acelerador e o motor estiver a funcionar ao ralenti, a correia da serra não deve mover. Se continuar a mover-se, existe risco de lesões graves no operador. Não utilize o produto, leve-o a um centro de serviço autorizado para que ser ajustado por um profissional.

VERIFICAÇÃO DA EMBRAIAGEM

1. Desengate o travão da corrente puxando a alavanca do travão/proteção de mão para a pega dianteira até ouvir um clique.
2. Deixe que o motor funcione em ralenti. Certifique-se que a corrente da serra não está girando. Se a corrente da serra se mover ao ralenti, é possível que o carburador necessite de ser ajustado. Não use a máquina. Entregue-o a um centro de serviço autorizado para ser ajustado por um profissional.
3. Solte até metade o gatilho do acelerador e coloque o produto funcionar a velocidade média. A correia da serra deverá rodar sem problemas se a embraiagem estiver em bom estado de funcionamento.

Causas e prevenção do utilizador do ricochete:

Pode ocorrer um coice quando a ponta da barra-guia toca num objecto ou se a corrente da serra ficar entalada e bloquear-se na madeira durante o corte.

O contacto com a ponta, em alguns casos, pode causar

uma reacção reversa rapidíssima, fazendo com que a barra guia salte para o operador.

Apertar a corrente da serra ao longo do topo da barra guia pode fazer com que esta recue rapidamente na direcção do operador.

Qualquer destas reacções pode causar que se perca o controlo da máquina, o que poderia resultar em sérios danos para o utilizador. Não dependa exclusivamente dos dispositivos de segurança incorporados na sua serra. Enquanto utilizador da serra, deverá tomar uma série de medidas tendentes a garantir que as operações de corte decorrem livres de acidentes ou ferimentos.

O ricochete é o resultado de uma má utilização da ferramenta e/ou condições ou procedimentos de operação incorretos e pode ser evitado tomando as precauções apropriadas conforme indicado abaixo:

- **Segure firmemente, com os polegares e os dedos que cercam as pegas da motosserra, com ambas as mãos na serra e posicione o seu corpo e braço para permitir-lhe resistir à força do ricochete.** As forças do ricochete podem ser controladas pelo operador, se as precauções apropriadas forem tomadas. Não largue a motosserra.
- **Não se estenda e não corte acima da altura do ombro.** Isto ajuda a impedir o contacto da ponta não intencional e permite um melhor controlo da motosserra em situações inesperadas.
- **Utilize apenas correntes e barras sobressalentes do fabricante.** As barras e as correntes de substituição incorretas podem causar uma rutura da corrente e/ou ricochete.
- **Siga as instruções de manutenção do fabricante para a motosserra.** Diminuir a altura do calibre da profundidade pode conduzir a aumentos do ricochete.

PRESSÃO E TRACÇÃO

Ver a página 279.

A força de reacção é sempre oposta ao sentido de deslocação da corrente. Como tal, o operador deve estar preparado para controlar a tendência para a máquina se afastar (movimento para a frente) ao cortar na borda inferior da barra e a empurrar para trás (na direcção do operador) ao cortar ao longo da borda superior.

SERRA ENCRAVADA NO CORTE

Pare a motosserra e tome-a segura. Não tente forçar a corrente e a barra do corte, visto que é provável que isto quebre a corrente, a qual pode balançar para trás e atingir o operador. Esta situação ocorre normalmente porque a madeira está incorretamente apoiada e a forçar o corte demasiado perto sob compressão trilhando assim a lâmina. Se a barra e a corrente não se solta ao ajustar o suporte, use cunhas de madeira ou uma alavanca para abrir o corte e libertar o produto. Nunca tente iniciar a motosserra quando a barra guia já se encontra num corte ou ranhura.

INSTRUÇÕES SOBRE AS TÉCNICAS ADEQUADAS PARA ABATE BÁSICO, CORTAR RAMOS E CORTE TRANSVERSAL

Compreender as forças dentro da madeira

Quando compreende as pressões e tensões direcionais dentro da madeira, pode reduzir os "beliscões", ou pelo menos prevê-los durante o corte. A tensão na madeira significa que as fibras estão a ser separadas e se cortar nesta área, a área de separação ("kerf") ou corte tendem a abrir à medida que a serra passa. Se um tronco está a ser apoiado sobre um cavalete e a extremidade está pendurada sem apoio sobre a extremidade, então a tensão é criada na superfície superior devido ao peso do tronco suspenso, esticando as fibras. Da mesma forma, a parte inferior do tronco estará em compressão e as fibras são empurradas umas contra as outras. Se um corte é feito nesta área, o corte de separação terá tendência a fechar-se durante o corte. Isto iria trilhar a lâmina.

Abater uma árvore

Ver a página 277 - 278.

Quando as operações de cortar e abater estão a ser realizadas por duas ou mais pessoas ao mesmo tempo, a operação de abate deve ser separada da operação de corte por uma distância de pelo menos duas vezes a altura da árvore que vai cair. As árvores não devem ser abatidas de alguma forma que possa pôr alguém em perigo, atingir alguma linha de fornecimento ou causar danos de propriedade. Se a árvore entrar em contacto com alguma linha de fornecimento, a empresa deve ser notificada de imediato.

O operador da serra de corrente deve manter-se no lado mais alto de um terreno inclinado, já que é provável que a árvore role ou deslize pelo terreno abaixo aquando do abate.

Um percurso de escape deve ser planeado e desobstruído conforme necessário antes de se iniciar os cortes. O percurso de fuga deve estender-se para trás e na diagonal à traseira da linha de queda prevista.

Antes de iniciar o abate, tenha em conta a inclinação natural da árvore, a localização dos ramos maiores e a direção do vento para avaliar a forma como a árvore irá cair.

Remova a sujidade, pedras, casca solta, pregos, estribos e arames da árvore.

Não tente derrubar árvores que estão podres ou que tenham sido danificadas por vento, fogo, relâmpagos, etc. Isto é extremamente perigoso e só deve ser realizado por cortadores de árvores profissionais.

■ Corte inferior de entalhe

Abater uma árvore Ver a página 277 - 278.

Faça o entalhe com 1/3 do diâmetro da árvore, perpendicular ao sentido das quedas. Realize o corte de entalhe horizontal inferior primeiro. Isto ajudará a evitar trilhar a corrente da serra ou a barra de guia quando o segundo entalhe está a ser feito.

■ Corte pela face oposta

Abater uma árvore Ver a página 277 - 278.

Faça o corte de abate para trás com pelo menos 50 mm (2 polegadas) mais alto do que o corte de

entalhadura horizontal. Mantenha o corte de abate para trás paralelo ao corte de entalhadura horizontal. Faça o corte de abate para trás de modo a que resta madeira suficiente para atuar como uma dobradiça. A articulação da madeira evita que a árvore se torça e caia na direção errada. Não corte através da articulação.

À medida que o abate se aproxima da dobradiça, a árvore deve começar a cair. Se houver qualquer possibilidade da árvore não cair no sentido desejado de poder balançar para trás e vincar a motosserra, pare de cortar antes que o corte de abate para trás esteja concluído e use cunhas de madeira, plástico ou alumínio para abrir o corte e deixar cair a árvore sobre a linha desejada.

Quando a árvore começa a cair, remova a motosserra do corte, pare o motor, coloque a motosserra para baixo e, em seguida, use o caminho de retirada planeado. Esteja alerta para ramos suspensos que possam cair e preste atenção ao seu equilíbrio.

Remoção dos sustentáculos

Ver a página 278.

Um sustentáculo é uma raiz de grandes dimensões que se prolonga do tronco da árvore acima do solo. Deverá remover sustentáculos grandes antes de realizar o abate. Efectue primeiro o corte horizontal no sustentáculo e, só depois, o corte vertical. Remova a secção solta da área de trabalho. Siga o procedimento de abate de árvores correcto depois de terem sido removidos os sustentáculos grandes.

Cortar transversalmente um tronco

Ver a página 279.

Decepar consiste em cortar um tronco em comprimentos. É importante certificar-se que o seu equilíbrio é firme e que o seu peso está distribuído uniformemente em ambos os pés. Quando possível o tronco deve ser levantado e suportado pelo uso de ramos, troncos ou calços. Siga a instrução simples para um corte fácil. Quando o tronco é suportado ao longo de todo o comprimento, é cortado a partir do topo (overbuck).

Quando o tronco é suportado numa extremidade, corte 1/3 do diâmetro do lado de baixo (underbuck). Em seguida, efetue o corte final overbucking para encontrar o primeiro corte.

Quando o tronco está apoiado em ambas as extremidades, corte 1/3 do diâmetro a partir de cima (overbuck). Em seguida, efetue o corte final underbucking 2/3 mais baixo para encontrar o primeiro corte.

Ao cortar numa inclinação, fique sempre no lado de cima do tronco. Ao cortar transversalmente, para manter o controlo total, liberte a pressão de corte perto da extremidade do corte sem relaxar o seu aperto nas pegadas da motosserra. Não deixe a corrente entrar em contacto com o chão. Após ter terminado o corte, aguarde que a corrente da serra pare antes de deslocar a motosserra. Desligue sempre o motor antes de passar de uma árvore para outra.

Cortar ramos de uma árvore

Ver a página 280.

Desbastar consiste em remover os ramos de uma árvore

abatida. Ao desbastar, deixe os ramos maiores inferiores para apoiar o tronco do chão. Remova os ramos com um só corte. Os ramos sob tensão devem ser cortados a partir do fundo para evitar comprometer a motosserra.

Cortar springpoles

Ver a página 280.

Um tranchão tensado é qualquer toro, ramo, cepo com raízes ou árvore jovem que está dobrada e tensada por outro lenho e que efectua um movimento de ricochete se o lenho que a estava a segurar for cortado ou removido.

Numa árvore abatida, um cepo com raízes oferece um elevado potencial de regressar à posição vertical num movimento repentino, durante o corte transversal para separar o toro do cepo. Tenha atenção a tranchões tensados, pois são muito perigosos. Não tente cortar ramos dobrados ou troncos sob tensão exceto se estiver profissionalmente capacitado e for competente para o fazer.

TRANSPORTE E ARMAZENAMENTO

- Pare o motor, acione o travão da corrente, desconecte o cabo da vela de ignição da mesma e deixe arrefecer antes de guardar ou transportar a ferramenta.
- Limpe todos os materiais estranhos do produto.
- Drene totalmente o combustível do depósito para um recipiente aprovado para acondicionar gasolina. Lembre-se de voltar a colocar e apertar adequadamente a tampa da mistura de combustível.
- Deixe o motor a trabalhar até que o mesmo páre. Este procedimento drenará a mistura de combustível e óleo que podem ficar estragada e deixar resíduos resinosos e enlameados no sistema de combustível.
- Drene totalmente o óleo da barra e da corrente do reservatório para um recipiente aprovado para acondicionar óleo. Lembre-se de voltar a colocar e apertar adequadamente a tampa do lubrificante da corrente.
- Coloque sempre a proteção da barra guia antes de guardar o produto ou durante o transporte.
- Guarde-o num local fresco e seco e bem ventilado a que as crianças não consigam aceder. Mantenha-o afastado de substâncias corrosivas, tais como produtos químicos utilizados em jardinagem e sais de descongelação. Não armazenar ao ar livre.
- Ative sempre o travão da corrente para que a corrente da serra não se possa mover ao transportar o produto em distâncias curtas (de uma área de trabalho para outra).
- Ao transportar o produto, fixe-o bem para que não se possa mover ou cair de modo a prevenir lesões pessoais ou danos no aparelho.
- Não leve nem transporte o produto enquanto estiver a funcionar.

Cumpra todos os regulamentos aplicáveis nacional e localmente ao armazenamento e ao manuseio seguros de gasolina. O combustível que sobrar deve ser utilizado noutros equipamentos accionados por motores de 2 tempos.

MANUTENÇÃO

Mantenha sempre o produto em bom estado de funcionamento.

⚠ ADVERTÊNCIA

Utilize apenas peças de substituição, acessórios e encaixes do fabricante original. A inobservância desta indicação pode causar um fraco desempenho, possíveis lesões e poderá anular a sua garantia.

⚠ ADVERTÊNCIA

Os serviços de manutenção requerem extremo cuidado e conhecimentos e devem apenas ser realizado por um técnico de assistência qualificado. Para operações de manutenção e reparações, leve o produto ao centro de assistência autorizado mais próximo. Ao realizar serviços de manutenção, use apenas peças de substituição idênticas.

⚠ ADVERTÊNCIA

Antes de realizar operações de inspeção, limpeza ou manutenção do produto, acione o travão da corrente e desligue a vela de ignição. O incumprimento destas instruções pode ocasionar ferimentos graves ou estragos materiais importantes.

- Pode realizar os ajustes e reparações descritos neste manual do utilizador. Para outro tipo de reparações entre em contacto com um agente de serviço autorizado.
- As consequências de uma manutenção inadequada podem fazer com que o travão da corrente e outras características de segurança não funcionem corretamente, aumentando assim o potencial para ferimentos graves. Mantenha a sua motosserra profissionalmente mantida e segura.
- Afiar a corrente de forma segura é uma tarefa especializada. Portanto, o fabricante recomenda encarecidamente que uma corrente opaca ou desgastada se substitua por outra nova, que se encontra disponível no centro de assistência autorizado da Ryobi. O nome da peça encontra-se disponível na tabela de especificações de produto deste manual.
- Siga as instruções para lubrificação e verificação e ajuste da tensão da corrente.
- Limpar o produto com um pano suave seco depois de cada uso.
- Verifique todas as porcas, pregos e parafusos com intervalos frequentes para confirmar a tensão apropriada e se certificar que o produto está em condições seguras de funcionamento. Qualquer peça danificada deve ser substituída ou reparada adequadamente por um centro de serviço autorizado.

SUBSTITUIÇÃO DA BARRA DE GUIA E CORRENTE DA SERRA

Ver a página 282 - 285.

1. Pare o aparelho. Use luvas de protecção.
2. Solte o travão da corrente.
3. Desaperte o manípulo de bloqueio da barra guia e remova a capa da roda dentada.
4. Retire a lâmina e a corrente da unidade.
5. Limpe a parte inferior da roda dentada.
6. Para substituir a barra por uma nova, desaperte o parafuso do tensor da corrente. Monte o conjunto de tensão da corrente na barra nova e aperte a porca.
7. Coloque a barra de guia e o tensor de correia da motosserra. Desça a barra de guia para que o perno passe através do orifício na barra e no tensor de correia.
8. A motosserra deve estar virada na direcção da rotação da corrente. Se estiverem virados para trás, vire o anel.
9. Coloque o laço em torno da roda motora. Coloque as ligações da direcção da corrente na ranhura da barra. Se for necessário, rode o tensor da corrente para aplicar alguma tensão sobre a corrente. Isso ajudará a mantê-la no sítio.
10. Volte a colocar a tampa da roda dentada.
11. Ajuste a tensão da corrente. Consulte a secção "Ajustar a tensão da corrente".

LIMPEZA DO FILTRO DE AR

Ver a página 290.

1. Pare o aparelho. Certifique-se que o travão da corrente se encontra na posição de travado.
2. Desaperte o botão de bloqueio da tampa do filtro de ar e retire-o do produto.
3. Remover o filtro de ar.
4. Elimine o pó e a sujidade do filtro de ar com uma escova. Se for necessário, separe o filtro de ar com uma chave de fendas de ponta plana e limpe o interior.
5. Volte a colocar a tampa do filtro de ar e aperte o botão de bloqueio.

LIMPEZA DA PROTEÇÃO CONTRA FAÍSCAS

Ver a página 291.

⚠ ADVERTÊNCIA

O silenciador fica quente durante e depois da utilização do produto. Para evitar lesões graves, mantenha o todo o corpo afastado do silenciador durante e depois da utilização da utilização do produto.

1. Pare o aparelho. Certifique-se que o travão da corrente se encontra na posição de travado. Deixe o silenciador arrefecer.
2. Retire o parafuso que fixa a tampa do silenciador ao protetor e, a seguir, retire as duas porcas da tampa do silenciador.
3. Retire a capa do silenciador.
4. Retire o protetor contra faíscas. Limpe a rede de protecção contra faíscas com uma pequena escova metálica.
5. Volte a colocar a capa do silenciador. Para substituir a capa do silenciador, repita estes passos pela ordem inversa.

⚠ ADVERTÊNCIA

O para-choques com espigões é uma característica de segurança do produto. Fixe-a com o parafuso correto após voltar a colocar a capa do silenciador. O incumprimento desta instrução pode resultar em lesões graves ou na morte.

INSPEÇÃO E LIMPEZA DO TRAVÃO DA CORRENTE

Ver a página 294.

- Mantenha sempre o mecanismo de travagem da corrente limpo, escovando levemente a ligação mantendo-a sem sujidade.
- Teste sempre o desempenho do travão da corrente após a limpeza.
- Consulte a secção "Funcionamento – Verificar e operar o travão da corrente" anteriormente neste manual para mais informações.

AJUSTE DA VELOCIDADE DO MOTOR E DO CARBURADOR

⚠ ADVERTÊNCIA

Um carburador mal ajustado pode aumentar o risco de lesões, acidentes mortais ou danos no produto. Para ajustar o carburador, leve o produto a um centro de serviço autorizado.

CALENDÁRIO DE MANUTENÇÃO

Verificação diária	
Mistura de combustível	Antes de cada uso
Lubrificação da barra	Antes de cada uso
Tensão da corrente	Antes de cada utilização e frequentemente
Fixação da corrente (sem movimento da corrente ao ralenti)	Antes de cada uso
Afiação da corrente	Antes de cada utilização, verificação visual
Por peças danificadas	Antes de cada uso
Por fixadores soltos	Antes de cada uso
Por peças soltas	Antes de cada uso
Função de travagem da corrente	Antes de cada uso
Para fugas de combustível	Antes de cada uso

INSPECCIONAR E LIMPAR:

Barra	Antes de cada uso
Serra completa	após cada utilização
Filtro de ar	Cada 5 horas*

EN
FR
DE
ES
IT
NL
PT
DA
SV
FI
NO
RU
PL
CS
HU
RO
LV
LT
ET
HR
SL
SK
BG

Travão da corrente	Cada 5 horas*
Substitua a vela de ignição	Anual
Substituir o filtro do combustível	Anual

*Horas de Funcionamento

RISCOS RESIDUAIS:

Mesmo quando se utiliza o produto segundo as instruções, continua a ser impossível eliminar por completo certos fatores de risco residuais. Os seguintes perigos podem surgir na utilização e o operador deve prestar especial atenção para evitar o seguinte:

- Lesões por vibração. Use sempre a ferramenta certa para o trabalho, use pegas concebidas e restrinja o tempo e exposição de trabalho.
- A exposição ao ruído pode provocar perda de audição. Use proteção para os ouvidos e limite o tempo de exposição.
- O contacto com os dentes de serra expostos da motosserra (perigos de corte).
- Movimentos imprevistos ou ressalto e abruptos da barra guia (perigos de corte).
- Peças ejetadas pela motosserra (perigos de corte/injeção).
- Pedacos projetados da peça de trabalho (lascas de madeira, farpas)
- Inalação de serrim e partículas ou emissões do motor a gasolina.
- Contacto da pele com combustível / óleo.

REDUÇÃO DO RISCO

Foi reportado que as vibrações das ferramentas de mão podem contribuir para uma doença designada de Síndrome de Raynaud em determinados indivíduos. Os sintomas podem incluir formigamento, entorpecimento e empalidecimento dos dedos, habitualmente visível aquando da exposição ao frio. Estima-se que os factores hereditários, exposição ao frio e humidade, dieta, tabagismo e práticas de trabalho contribuem todos para o desenvolvimento destes sintomas. Existem medidas que podem ser tomadas pelo operador para possivelmente reduzir os efeitos da vibração:

- Mantenha o seu corpo quente durante o tempo frio. Ao operar o produto, use luvas para manter as mãos e os pulsos quentes. Encontra-se reportado que o tempo frio é um grande factor que contribui para o Síndrome de Raynaud.
- Após cada período de operação, exercite para aumentar a circulação sanguínea.
- Faça pausas frequentes no trabalho. Limite o tempo de exposição por dia.
- As luvas de proteção disponíveis em lojas de motosserras profissionais são especificamente concebidas para um uso de motosserras e proporcionam proteção e um bom aperto. As luvas também reduzem o efeito da vibração da pega.
- Estas luvas devem cumprir com a norma EN381-7 e têm que ter a marcação CE.

Caso sinta algum dos sintomas desta doença, interrompa

82 | Português

de imediato a sua utilização e consulte o seu médico sobre estes sintomas.

⚠ ADVERTÊNCIA

O uso prolongado de uma ferramenta pode causar o agravar lesões. Ao usar qualquer ferramenta durante períodos prolongados, assegure-se que faz intervalos regulares.

CONHEÇA O SER APARELHO

Ver a página 271.

PEÇAS

1. Corrente
2. Barra-guia
3. Guarda-mão frontal/Travão da corrente
4. Pega frontal
5. Tampa do filtro do ar
6. Manipulo do dispositivo de arranque
7. Pega traseira
8. Grampo pára-choques
9. Tampa do silenciador
10. Tampão da mistura de combustível
11. Tampão do óleo da corrente
12. Interruptor de ignição
13. Libertador do actuador
14. Actuador do acelerador
15. Balão de detonação
16. Alavanca de controlo
17. Chave de combinação
18. Capa da roda dentada
19. Retentor de corrente
20. Anel de ajuste do tensor de corrente
21. Manipulo de bloqueio da barra guia
22. Capa da barra guia

DISPOSITIVOS DE SEGURANÇA

SERRA DE CORRENTE DE BAIXO COICE

Uma corrente de serra com reduzido ressalto ajuda a reduzir a possibilidade de um evento de ressalto.

Os limitadores de profundidade à frente de cada dente de corte podem minimizar a força de uma reacção de coice, prevenindo que os dentes de corte penetrem com profundidade na zona de coice. Utilize apenas combinações de barras de guia e correntes de substituição que sejam recomendadas pelo fabricante.

Com a continuação de afiação, as correntes da serra vão perdendo as suas qualidade de baixo coice, sendo necessário empregar cautela adicional. Por sua segurança, substitua as correntes da serra quando diminuir o rendimento de corte.

GRAMPO PÁRA-CHOQUES

O grampo pára-choques integral pode ser usado como uma articulação ao realizar um corte. Ajuda a manter o corpo da motosserra estável durante o corte. Ao cortar, empurre a máquina para a frente até que os picos se introduzam na borda da madeira e, em seguida, movendo a pega traseira para cima ou para baixo na direção da linha de corte pode ajudar a aliviar a tensão física do corte

BARRAS-GUIA

De modo geral, as barras guia com pontas esféricas pequenas têm menos probabilidades de ressalto. Utilize apenas combinações de barras de guia e correntes de substituição que sejam recomendadas pelo fabricante. O uso de barras guia não recomendadas aumenta o risco de perda de controlo durante a serragem. Verifique regularmente a tensão da corrente. Ao cortar ramos mais pequenos (menos que o comprimento total da barra de guia), é provável que a corrente seja projetada caso a tensão não seja a correta.

TRAVÃO DA CORRENTE

Os travões de corrente foram concebidos para pararem rapidamente a corrente, impedindo-a de girar. Quando a alavanca do travão da corrente/guarda-mão é empurrada contra a barra, a corrente pára imediatamente. O travão da corrente não impede o coice. Apenas reduz o risco de lesão, caso a barra da corrente entre em contacto com o corpo do operador durante um evento de ressalto. O travão da corrente deve ser testado antes de cada utilização quanto à sua correta operação em ambas as posições de funcionamento e travagem.

RETENTOR DE CORRENTE

Um recetor de corrente evita que a motosserra ressalte para o operador se a corrente da serra se soltar ou se partir.

SÍMBOLOS NO PRODUTO



Aviso



Leia e compreenda todas as instruções antes de manipular o produto, respeite os alertas e as instruções de segurança.



Coloque proteção para olhos, ouvidos e cabeça.



Utilize calçado de segurança antidesslizante quando utilizar este produto.



Use luvas de trabalho resistentes, antidesslizantes.



Tenha cuidado com o ressalto da serra e evite o contacto com o extremo da barra.



Segure e utilize a serra de corrente com ambas as mãos.



Não utilize a serra de corrente segurando-a com uma só mão.



Esta ferramenta obedece a todas as normas regulamentares do país da UE onde foi comprada.



Utilize gasolina sem chumbo destinada aos veículos com um índice de octanas de 91 ((R+M)/2) ou superior.



Utilize óleo de 2 tempos para motores refrigerados por ar.



Misture bem a mistura de combustível e também cada vez que vá encher.



Lubrifique a barra e a corrente cada vez que colocar combustível no produto.



Coloque o travão da corrente na posição de funcionamento (RUN).



Coloque o travão da corrente na posição de travado (BRAKE).



Coloque o interruptor de arranque na posição ON.



Prima totalmente e solte o BALÃO DE DETONAÇÃO 10 vezes.



Defina a alavanca de controlo para a posição de "FULL".



Puxe o cordão do dispositivo de arranque até ouvir a primeira detonação do motor (não deve ser necessário puxar o cordão mais de cinco vezes).



Defina a alavanca de controlo para a posição de "HALF".



Puxe a pega de arranque até que o motor arranque.










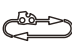


Liberte o disparador do gatilho e o gatilho do acelerador.



Marca de conformidade EurAsian



O melhor nível de potência sonora é de 112 dB

-  Lubrificante para a barra e correia
-  Gasolina sem chumbo e óleo a dois tempos.
-  Posição de funcionamento
-  Posição média do acelerador
-  Posição de "FULL"
-  Bloqueio
-  Abrir
-  Gire para ajustar a tensão da corrente
+ = Aperte a correia
- = Desapertar a corrente
-  Direcção de movimento da corrente
(Marque debaixo da tampa do pinhão)
-  Modo normal
-  Modo anticongelante
- T Ajuste da velocidade de ralenti
- H Agulha de ajuste de alta velocidade
- L Agulha de ajuste de baixa velocidade

SÍMBOLOS NESTE MANUAL



Misture o combustível ao ar livre, afastado de faíscas ou chamas.



Não fume quando misturar combustível ou encher o depósito de combustível.



As peças ou acessórios vendem-se separadamente



Os aparelhos eléctricos antigos não devem ser eliminados juntamente com o lixo doméstico. Recicle onde existem instalações para o efeito.



Nota:



Advertência!



Use proteção para os olhos e rosto.



Use proteção para a parte superior do corpo.



Use proteção para as pernas.



Pare o aparelho.



Bloqueie a tampa de acesso ao filtro.



Abra a tampa de acesso ao filtro.

As seguintes palavras de sinal e significados destinam-se a explicar os níveis de risco associados a este produto:

⚠ PERIGO

Indica uma situação perigosa iminente, que, se não evitada, poderá resultar em morte ou ferimentos graves.

⚠ ADVERTÊNCIA

Indica uma situação potencialmente perigosa, que, se não evitada, poderá conduzir à morte ou graves lesões.

⚠ ADVERTÊNCIA

Indica uma situação potencialmente perigosa, que, se não evitada, poderá resultar em pequenas ou moderadas lesões.

ADVERTÊNCIA

Sem símbolo de alerta de segurança

Indica uma situação que pode resultar em danos de propriedade.

Sikkerhed, ydelse og driftssikkerhed har fået topprioritet i designet af din Benzinkædesav.

TILTÆNK ANVENDELSESFORMÅL

Produktet er kun beregnet til brug i det fri i et godt ventileret område. Af sikkerhedshensyn skal produktet altid kontrolleres omhyggeligt ved at fastholde det med begge hænder.

Produktet er beregnet til at save i grene, træstammer, kævlér og bjælker med en diameter, der bestemmes af sværdets savelængde. Den er kun beregnet til skæring i træ. Det må kun anvendes i husholdninger af voksne, der har modtaget behørig uddannelse i faremomenterne og de forebyggende foranstaltninger/tiltag, der skal træffes under brug.

Produktet må kun bruges til de ovennævnte formål. Det må ikke bruges til professionelt træarbejde. Produktet må ikke bruges af børn eller personer, som ikke bærer tilstrækkelig med personlige værnemidler og -beklædning.

⚠ ADVARSEL

Når produktet anvendes, skal sikkerhedsreglerne efterleves. Af hensyn til egen og andres sikkerhed skal man læse og forstå denne brugsanvisning, inden produktet anvendes. Du bør deltage i et professionelt organiseret sikkerhedskursus i brug, forebyggende foranstaltninger, førstehjælp og vedligeholdelse af kædesave. Disse sikkerhedsregler skal opbevares med henblik på senere brug.

⚠ ADVARSEL

Kædesave er potentielt farlige værktøjer. Ulykker i forbindelse med brug af kædesave medfører ofte tab af lemmedele eller død. Det er ikke kun selve kædesaven, som er farlig. Nedfaldende grene, væltende træer, rullende træstammer kan alt sammen være dræbende. Dødt eller råddent træ udgør også faremomenter. Man skal vurdere, om man føler sig i stand til at fuldføre opgaven på sikker vis. Hvis der er den mindste tvivl, skal man overlade opgaven til en professionel trækirurg.

GENERELLE SIKKERHEDSADVARSLER

- Nogle områder har regler, som begrænser brugen af produktet. Forhør dig hos de lokale myndigheder.
- Lad aldrig børn eller personer uden kendskab til brugsanvisningen bruge produktet. Lokale love kan have indflydelse på den tilladte brugerald.
- Inden hver brug skal man kontrollere, at alle betjeningsselementer og alt sikkerhedsudstyr fungerer upåklageligt. Undlad at bruge produktet, hvis motoren ikke kan standses med "SLUK"-kontakten.
- Motoren må aldrig startes eller køres i lukkede eller dårligt ventilerede områder; indånding af udstødningsrøg kan være dødelig.
- Ryd arbejdsområdet inden hver brug; et rodet arbejdsområde fører til uheld.
- Brug fuld øjen- og høreværn, kraftige, solide handsker,

sikkerhedsfodtøj med skridsikre såler samt hovedværn, når produktet benyttes. Anvend ansigtsmaske hvis det udførte arbejde støver meget.

- Undlad at bære løstsiddende tøj, korte bukser eller smykker af enhver art.
- Langt hår skal bindes op over skulderniveau, så det ikke risikerer at vikles sig ind i bevægelige dele.
- Pas på udslyngede, flyvende eller faldende objekter. Sørg for, at tilskuere (især børn og dyr) er mindst 15m fra arbejdsområdet.
- Undgå at bruge produktet i atmosfærer med eksplosions- eller brandfare.
- Hold produktet godt fast i begge håndtag under brug.
- Når man bruger produktet, skal man være agtpågivende, iagttage hvad man gør og bruge sund fornuft. Undlad at bruge dette produkt, hvis du er træt, syg eller påvirket af alkohol, narkotika eller medikamenter. Et kort koncentrationssvigt, mens man betjener maskinen, kan medføre alvorlige personskader.
- Må ikke anvendes under dårlige lysforhold. Operatøren skal have tydeligt overblik over arbejdsområdet, så han/hun kan identificere evt. faremomenter.
- Vær opmærksom på, at høreværn begrænser evnen til at høre advarsler (alarmer eller råb). Operatøren skal være ekstra opmærksom på, hvad der sker i arbejdsområdet.
- Brug af lignende værktøjer i nærheden øger både risikoen for hørskader og for, at uvedkommende personer kommer ind i dit arbejdsområde.
- Hold et godt fodfæste og balance. Overstræk ikke. Ved at læne sig for langt frem risikerer man at miste balancen eller komme i berøring med varme overflader samt øge risikoen for tilbageslag ("kickback").
- Hold alle lemmedele på afstand af alle bevægelige dele.
- Undgå at berøre området omkring lydpotte eller motor i produktet; disse dele bliver meget varme under drift.
- Husk altid at inspicere maskinen inden brug. Kontrollér, at alle betjeningsselementer inkl. kædebremser fungerer fejlfrit. Kontrollér for løse fastgørelseselementer og at at alle skærme og håndtag er fastgjort ordentligt og sikkert. Udskift evt. beskadigede dele inden brug.
- Undgå at ændre ved maskinen på nogen som helst måde eller at bruge dele og tilbehør, som ikke anbefales af producenten.

⚠ ADVARSEL

Hvis produktet tabes, udsættes for stød eller begynder at vibrere unormalt, skal man omgående stoppe det og inspicere det for skader eller lokalisere årsagen til vibrationen. Enhver beskadiget del skal repareres ordentligt eller udskiftes på et autoriseret servicecenter.

- Ved blanding af brændstof eller påfyldning brændstofføntank, ryger ikke og holder 10 m væk fra enhver antændelseskilde.
- Bland og opbevar benzin/olie i en dunk, der er godkendt til brændstof.

EN
FR
DE
ES
IT
NL
PT
DA
SV
FI
NO
RU
PL
CS
HU
RO
LV
LT
ET
HR
SL
SK
BG

- Benzin/olie skal blandes udendørs og på afstand af steder, hvor gnister eller åben ild forekommer. Alt evt. benzinspild skal optørres. Flyt enheden 10 m bort fra tankningsstedet, inden motoren startes.
- Stop motoren, og lad den køle af, inden maskinen tankes, opbevares eller transporteres.
- Husk at lukke alle brændstof-/beholderdæksler ordentligt eller påfyldning eller blanding.

SIKKERHEDSADVARSLER VEDR KÆDESAV.

- Montér altid sværskeden, når produktet ikke anvendes, eller når det bæres eller transporteres. Dette vil bidrage til at begrænse risikoen for utilsigtet kontakt med kædens skarpe tænder. Produktet skal bæres i det øverste håndtag med stværdet vendt ud fra kroppen.
- Man skal gøre sig fortrolig med sin nye kædesav ved at foretage simple snit i sikkert fastspændt træ. Dette skal gøres, når man ikke har brugt saven i nogen tid.
- Træstammer skal saves på en savbuk eller i en holder, når produktet benyttes første gang.
- Sørg for, at alle afskærmninger, håndtag og barkstøtte er korrekt monteret og i god stand.
- Personer, som benytter produktet, skal være sunde og raske. Produktet er tungt, hvorfor operatøren skal være i god fysisk form. Operatøren bør være opmærksom, have et godt syn, mobilitet, balance og godt håndslag. Hvis der er den mindste tvivl, skal man undlade at bruge produktet.
- Undgå at stå på ustabile overflader, mens du anvender produktet. Dette kan indbefatte, men er ikke begrænset til, stiger, stilladser og træer. Hold altid begge hænder på produktets håndtag.
- Undlad at bruge produktet, før du har et ryddet arbejdsområde, et sikkert fodfæste og en planlagt flugtvej fra det faldende træ.
- Vær yderst påpasselig, når der saves i småkrat og unge træer, da tynde grene mv; kan gribe fat i kæden og blive pisket ind mod én eller bevirke, at man får overbalance.
- Under oversavning af grene, der sidder i spænd, skal man passe på ikke at blive ramt, når spændingen i træfibrene frigøres.
- Vær opmærksom på afgivelsen af udstødningsgas, oliedampe og savsmuld. Benyt evt. maske eller åndedrætsværn.
- Undgå at save i vinstokke og/eller lav underskov (mindre end 75 mm i diameter).
- Hold altid kædesaven fast med begge hænder under arbejdet. Sørg for, at fingrene omslutter håndtagene helt. Højre hånd skal være på bageste håndtag og venstre hånd på forreste håndtag.
- Inden man starter værktøjet, skal man sikre sig, at savkæden ikke er i kontakt med noget. Produktet skal altid startes med aktiveret kædebremse (dvs. presset helt frem).
- Man må ikke ændre produktet på nogen måde eller bruge det til at drive evt. tilbehørsdele eller enheder, der ikke er anbefalet af producenten til brug med produktet.
- Der bør være en førstehjælpskasse med store bandager og et middel til at tilkalde opmærksomhed (fx fløjte) tæt

ved operatøren. Et større og mere omfattende sæt bør være inden for rimelig rækkevidde.

- Operatøren kan måske blive fristet til at aftage hjelmen, hvis der ikke er fare for nedfaldende genstande i arbejdsområdet; men husk på, at hjelmen, især med visirmaske, kan bidrage til at mindske risikoen for skader i ansigt og hoved i tilfælde af tilbageslag ('kickback').
- En forkert spændt kæde kan springe af sværdet og medføre alvorlige personskader eller dødsfald. Kædens længde afhænger af dens temperatur og slitage. Kædens spænding skal kontrolleres hyppigt.
- Hold håndtagene tørre, rene og fri for olie og fedt. Fedtede og oliebelagte håndtag er glatte og kan bevirke, at mister kontrollen.
- For at mindske risikoen for personskader som følge af kontakt med bevægelige dele skal man altid stoppe motoren, aktivere kædebremsen, afmontere tændrørskablet og sørge for, at alle bevægelige dele er fuldstændigt stoppet, inden:
 - rengøre eller fjerne en blokering
 - at efterlade produktet uden opsyn
 - installation og fjernelse af tilbehørsdele
 - kontrol, vedligeholdelse eller arbejde på produktet
- Størrelsen af "arbejdsstedet" afhænger af, hvilken opgave der udføres, og af det pågældende træes eller træstykkets størrelse. Fx kræver fældning af et træ et større arbejdsområde, end når man foretager andre savsnit, dvs. savbuksnit o.lign. Operatøren skal være bevidst om og have kontrol med alt, hvad der sker i arbejdsområdet.
- Undgå at save med kroppen i lige linje med sværdet og kæden. Hvis man kommer ud for tilbageslag ('kickback'), vil dette bidrage til at forebygge, at kæden kommer i kontakt med ens hoved eller krop.
- Undlad at udføre frem-og-tilbage-savebevægelser; lad saven gøre arbejdet. Hold kæden skarp, og forsøg ikke at presse kæden gennem snittet.
- Undlad at tynde saven ned i slutningen af snittet. Vær parat til at holde savens vægt, når den saver sig gennem træet. Manglende overholdelse af denne anvisning kan medføre alvorlige personskader.
- Undgå at stoppe saven i midten af en saveoperation. Hold saven kørende, til den er taget ud af saverillen.

Personlige værnemidler

Personlige værnemidler af god kvalitet, som anvendes af professionelle, bidrager til at mindske risikoen for personskader på operatøren. Man bør benytte følgende udstyr, når man arbejder med en kædesav:

Sikkerhedshjelm

- skal opfylde kravene iht. EN 397 og skal være CE-mærket

Høreværn

- skal opfylde kravene iht EN 352-1 og skal være CE-mærket

Øjen- og ansigtssværn

- skal være CE-mærket og opfylde EN 166 (for sikkerhedsbriller) eller EN 1731 (for visirmasker)

Handsker

- skal opfylde kravene iht. EN 397 og skal være CE-mærket

Benværn (chaps)

- skal opfylde EN381-5, være CE-mærket og yde allround-beskyttelse.

Sikkerhedsstøvler til kædesave

- skal opfylde EN ISO 20345:2004 og være mærket med et emblem, der forestiller en kædesav og indikerer opfyldelse af EN 381-3. (Lejlighedsvis brugere kan anvende sikkerhedsstøvler med stål-tåkappe sammen med beskyttende gamacher, som opfylder EN 381-9, hvis underlaget er plant, og der er lille risiko for at snuble eller hænge fast i bundvegetationen)

Kædesavsjakker til beskyttelse af overkroppen

- skal opfylde kravene iht EN 381-11 og skal være CE-mærket

MONTERING

⚠ ADVARSEL

Hvis dele enten er beskadiget eller mangler, så anvend ikke produktet før disse dele er udskiftet. Manglende overholdelse af denne advarsel kan medføre alvorlig personskade.

MONTERING AF SAVKÆDE OG SVÆRD

Se side 273, Fig. 5 - 8.

- Stop produktet. Benytt beskyttelseshandsker.
- Deaktiver kædebremsen.
- Skrue styresværdets låseknop af, og fjern kædehjulsdækslet.
- Monter styresværdet og kædestrammemodulet på kædesaven. Sænk styresværdet således, at bolten går gennem huller i sværdet og kædestrammemodulet.
- Savkæden skal vende i kædens rotationsretning. Hvis de peger i forkert retning, skal kædeløkken vendes om.
- Anbring løkken rundt om drivhjulet. Anbring kædestyreleddene i sværdtrillen. Om nødvendigt kan man rotere kædestrammemodulet for at stramme kæden, så den lettere holdes på plads.
- Udskift kædehjulsdækslet.
- Justér kædespændingen. Se afsnittet "Justering af kædespænding".

JUSTERING AF KÆDESTRAMNING

Se side 286.

- Løsn styresværdets låseknop en smule ved at dreje den imod uret.
- Man øger kædestramningen ved at dreje kædespænde-justeringsringen i urets retning og kontrollere kædespændingen hyppigt. Man reducerer kædestramningen ved at dreje kædespænde-justeringsringen imod urets retning og kontrollere kædespændingen hyppigt.
- Kædespændingen er korrekt, når mellemrummet mellem skæret i kæden og sværdet ligger mellem 3 og 4 mm. Træk ud i kæden midt på undersiden af sværdet

(væk fra sværdet), og mål afstanden mellem sværdet og kædens skæretænder.

- Spænd styresværdets låseknop til ved at dreje den i urets retning.

BEMÆRK: Kædens temperatur øges under normal brug, hvilket får kæden til at udvide sig. Skal derfor kontrolleres og efterstrammes hyppigt. En kæde, der er blevet tilstrammet i varm tilstand, kan blive for stram, når den er kølet af. Kontrollér, at kædestramningen er korrekt justeret som beskrevet i denne brugsanvisning.

BETJENING AF PRODUKTET

BRÆNDSTOF OG OPTANKNING

Sikker håndtering af brændstof

⚠ ADVARSEL

Sluk altid motoren inden tankning. Optankning må aldrig ske med igangværende eller varm motor. Start ikke motorsaven på mindre end 9 m afstand af stedet, hvor den blev tanket op. Ingen rygning! Følg denne advarsel ikke, udsætter man sig for en alvorlig ulykkesrisiko.

⚠ ADVARSEL

Kontrollér, at motoren ikke lækker benzin. Konstateres lækager, udbedres disse, inden produktet bruges for at forebygge brand eller forbrændinger.

- Brændstof skal altid håndteres forsigtigt; det er meget brændbart.
- Påfyldning af brændstof skal altid ske udendørs og i god afstand til antændelseskilder; undgå at indånde brændstofdampene.
- Undgå at få benzin eller olie på huden. I tilfælde af kontakt vaskes straks med sæbe og rigeligt vand.
- Hold benzin og olie på afstand af øjnene. Har man fået benzin eller olie i øjnene, skal de omgående vaskes i rent vand. Hvis der stadig er irritation, søg da læge omgående.

Blanding af benzin/olie

- Redskabet har en totaktsmotor, som arbejder med en blanding af benzin og syntetisk 2-taktsolie (forhold 2%). Den kræver benzin tilsat 2-taktsolie, der skal iblandes i forvejen.
- Bland blyfri benzin og 2-taktsolie i en ren dunk, som er godkendt til brændstof.
- Motoren er godkendt til blyfri bilbenzin med oktantal 91 ([R + M]/2) eller højere, tilsat 2-taktsolie; brug ikke nogen form for færdigblandet 2-taktsbenzin fra tankstationer - heller ikke brændstof beregnet til knallerter, scootere osv.
- Anvend en høj kvalitets 2-cyklus selvblandende smørelse for luftkølede motore. Anvend ikke automørelse eller 2-cyklus påhængsmotor smørelse.
- Bland 2% olie i benzinen. Dette svarer til

blandingsforholdet 50:1.

- Bland benzin og olie omhyggeligt og ryst dunken inden hver optankning.
- Bland benzin og olie i små mængder. Der bør ikke blandes mere benzin/olie, end der skal bruges i løbet af en måned. Der anbefales brug af 2-takts-smøremiddel med brændstoffstablisator.

BEMÆRK: Benzin systemet eller ydelse problemer fra brug af en iltede brændstof indeholdende mere end de procentdele som nævnt tidligere er ikke dækkede at garantien.

Fyldning af brændstofftanken

Se side 273.

- Gør rent omkring dækslet, så der ikke kommer urenheder i tanken.
- Løsn brændstoffdækslet langsomt.
- Hæld forsigtigt benzinblandning i tanken. Undgå at spilde benzin.
- Rens og inspicér pakningen, før tankdækslet sættes på igen.
- Sæt straks derefter dækslet på plads og spænd det fast med håndkraft. Alt evt. benzinspild skal optørres.

BEMÆRK: Det er normalt, at motoren til at udsende røg under og efter den første brug.

PÅFØRING AF KÆDESMØREOLIE

Se side 273.

⚠ ADVARSEL

Man må aldrig arbejde uden kædesmøring. Hvis savkæden kører uden smøremiddel, risikerer man at ødelægge sværd og savkæde. Det er derfor vigtigt at kontrollere oliestanden i oliestandsmåleren ofte, og altid inden man begynder at bruge kædesaven.

1. Rens overfladen omkring oliedækslet for at forhindre forurening.
2. Løsn og fjern dækslet fra olietanken.
3. Hæld olie i olietanken, og hold øje med oliestandsmåleren. Sørg for, at der ikke kommer snavs i olietanken under påfyldningen.
4. Påsæt oliedækslet igen, og spænd det fast. Evt. spildt olie tørres af.
5. På en fuld olietank kan man benytte saven i 20 - 40 minutter.

BEMÆRK: Et korrekt fungerende kæde- og sværsmøresystem vil normalt afgive olie fra kæden under brug. Man kontrollerer, om kæde- og sværsmøresystemet virker korrekt ved at rette spidsen af kæden mod en lys overflade som fx en avis. I løbet af kort tid skal man da kunne observere en tydelig linje af oliestænk.

Anbefalet kædesmøreolie

- Producenten anbefaler, at man kun bruger Ryobi's egen kædesavssmøreolie. (Fås på autoriserede Ryobi-servicecentre)

START AF PRODUKTET

Startmetoden afviger afhængig af, om motoren er kold eller varm.

⚠ ADVARSEL

Stå med kroppen til venstre for kædelinjen. Man må aldrig skræve ind over motor og/eller kæde eller stå lænet ind over kædelinjen.

- Læg produktet på et plant underlag, og kontrollér, at der ikke er objekter eller forhindringer i umiddelbar nærhed, som kan komme i kontakt med sværdet og kæden.
- Tag godt fat i det forreste håndtag med venstre hånd og placér højre fod på soklen af det bageste håndtag.

BEMÆRK: I nedenstående startvejledning gælder det, at når chokerhåndtaget er trukket helt ud til pos. START, er gashåndtaget indstillet til start. Man genindstiller gashåndtaget til pos. RUN ved at presse gasudløseren ind og slippe den igen.

Sådan startes en kold motor:

Se side 272 - 273.

1. Stil tændingskontakten i pos. ON (=tændt).
2. Kontrollér, at kædebremsen er i pos. BRAKE ved at presse håndtaget/håndskærmen frem.
3. Tryk PRIMEREN helt i bund og slip den igen - 10 gange i alt.
4. Træk choker-håndtaget helt ud i pos. START.
5. Når temperaturen er over 10°C, hiv start grebet indtil motoren forsøger at starte, men ikke mere end 3 gange. Når temperaturen er under 10°C, hiv start grebet indtil motoren forsøger at starte, men ikke mere end 5 gange.
6. Pres choker-håndtaget i pos. "half" (=halv). Træk i starthåndtaget, til motoren starter.
7. Pres udløseren ind, og pres derefter gashåndtaget ind; slip dernæst gashåndtaget, så motoren atter kører i tomgang.
8. Lad produktet køre i tomgang i 15 - 30 sekunder.
9. Inden man giver motoren gas eller skærer i træ, skal man sikre sig, at kædebremsen er i pos. "RUN" (=kør) ved at trække bremsehåndtaget/håndskærmen tilbage.

⚠ PAS PÅ

Motorsaven kan tage alvorlig skade, hvis man giver gas med kædebremsen aktiveret. Klem derfor aldrig gashåndtaget ind, når kædebremsegrebet er skubbet fremad.

Sådan startes en varm motor:

Se side 281.

1. Stil tændingskontakten i pos. ON (=tændt).
2. Kontrollér, at kædebremsen er i pos. BRAKE ved at presse håndtaget/håndskærmen frem.
3. Pres spædebollen ind 10 gange.
4. Træk først chokerhåndtaget helt ud i pos "START", og pres det derefter tilbage i pos "RUN" (=kør).
5. Træk i starthåndtaget, til motoren kører, men ikke mere end 5 gange. Pres udløseren ind, og pres derefter gashåndtaget ind; slip dernæst gashåndtaget,

så motoren atter kører i tomgang. Hvis motoren ikke stater efter 5 forsøg (træk), skal man forsøge at starte motoren med koldstartmetoden.

- Inden man giver motoren gas eller skærer i træ, skal man sikre sig, at kædebremsen er i pos. "RUN" (=kør) ved at trække bremsehåndtaget/håndskærmen tilbage.

SKIFT MELLEM DRIFTSMÅDER (MODI)

Se side 287.

Produktet har en antifrost-modus, som forhindrer, at der dannes is indvendigt i karburatoren, når der arbejdes i temperaturer på $\leq 5^{\circ}\text{C}$.

En ventilationsåbning på højre side af luftfilterdækslet kan forskydes for at muliggøre tilførsel af varm luft til motoren og forhindre, at der dannes is inde i karburatoren.

⚠ ADVARSEL

Hvis man ikke skifter fra normal modus til antifrost-modus i temperaturer på $\leq 5^{\circ}\text{C}$, risikerer man, at motorens udgangseffekt reduceres, eller at motoren svigter.

Husk altid at stille produktet tilbage i normal driftsmåde sættes på "O". Sæt ikke motorsaven på jorden, mens kæden stadig bevæger sig. Aktivér kædebremsen, når motorsaven ikke er i brug.

STANDSNING AF MOTOREN

Slip gashåndtaget (udlæs låseknappen), så motoren går tomgang. Motoren standser, når tændingskontakten sættes på "O". Sæt ikke motorsaven på jorden, mens kæden stadig bevæger sig. Aktivér kædebremsen, når motorsaven ikke er i brug.

I tilfælde af, at motoren ikke kan standses med tændingskontakten, kan man gøre det ved at trække chokergrebet helt ud og aktivere kædebremsen. Hvis ikke, motoren standser, når tændingskontakten sættes på "O", bør man af sikkerhedshensyn få fejlen rettet, inden motorsaven tages i brug igen.

BEMÆRK: Når man er færdig med at bruge produktet, skal man altid aflaste tanktrykket ved først at løsne og derefter spænde kædesmøremiddel- og brændstoffødslet. Lad motoren køle af, før motorsaven stilles til opbevaring.

FASTHOLDNING AF PRODUKTET

Se side 273.

Hold altid kædesaven med højre hånd på det bageste håndtag og venstre hånd på det forreste håndtag. Grib om begge håndtag, så tommelfingeren og de øvrige fingre omslutter håndtaget. Sørg for, at venstre hånd holder om forhåndtaget, således at tommelfingeren vender nedad.

KONTROL OG BETJENING AF KÆDEBREMSE

- Man aktivérer kædebremsen ved at dreje venstre hånd omkring det forreste håndtag. Med bagsiden af hånden presser man kædebremsehåndtaget/håndbeskyttelsen ind mod sværdet, mens kæden roterer hurtigt. Husk altid at holde begge hænder på produktets håndtag.
- Sæt kædebremsen tilbage i pos. Run (=Kør) ved at tage fat i det øverste af kædebremsehåndtaget/håndbeskyttelsen og trække det i retning mod

forhåndtaget, til der høres et klik.

⚠ ADVARSEL

Hvis kæde bremsen ikke stopper kæden med det samme, eller hvis kæde bremsen ikke vil blive i køre stillingen uden hjælp, tage sagen til en autoriseret service agent for reparation før brug.

⚠ ADVARSEL

Når man slipper udløseren, og motoren kører i tomgang, må kædesaven ikke være i bevægelse. Hvis disse dele bevæger sig, udsætter operatøren sig for risiko for alvorlig personskade. Undlad at benytte produktet; indlevér det på et autoriseret servicecenter for faglig korrekt indjustering.

KONTROL AF KOBLINGEN

- Deaktivér kædebremsen ved at trække kædebremsehåndtaget/håndskærmen ind mod forhåndtaget, til der høres et klik.
- Lad motoren køre i tomgang. Sørg for, at savkæden ikke roterer. Hvis kæden bevæger sig, når motoren går tomgang, trænger karburatoren muligvis til justering. Undlad da at bruge maskinen. Indlever den på et autoriseret servicecenter til service udført af fagfolk.
- Pres gasudløseren halvt ind, og kør produktet ved middel hastighed. Kædesaven skal rotere jævnt, hvis koblingen er i god stand.

Årsager til og operatør-forestillinger mod tilbageslag ("kickback"):

Tilbageslag kan forekomme, hvis sværdspidsen rammer en fast overflade, eller hvis savkæden kommer i klemme i træet og sidder fast i snittet.

Sværdspids-kontakt kan i visse tilfælde forårsage en pludselig modsat reaktion og kaste sværdet op og ind mod operatøren.

Hvis savkæden blokeres langs toppen af sværdet, risikerer man, at sværdet presses hurtigt tilbage mod operatøren.

Begge disse reaktioner kan få dig til at miste kontrollen over maskinen, hvilket kan resultere i alvorlig personskade. **MAN MÅ IKKE** udelukkende forlade sig på motorsavens indbyggede sikkerhedsanordninger. Som motorsavsbruger bør man overholde nogle bestemte forholdsregler for at minimere ulykkesrisikoen.

Tilbageslag ("kickback") er resultatet af forkert brug af værktøjet og/eller forkerte arbejdsmetoder eller -forhold og kan undgås ved at træffe nedenstående forholdsregler:

- **Bevar et fast greb, med tommelfingre og øvrige fingre omkring kædesavens håndtag, med begge hænder på saven, og placér kroppen og armen på en sådan måde, så du kan modstå tilbageslagskræfterne.** Tilbageslagskræfter kan kontrolleres af operatøren, hvis der træffes de rigtige forholdsregler. Undlad at slippe kædesaven.
- **Undgå at læne dig for langt frem eller save over skulderhøjde.** Dette hjælper dig med at undgå utilsigtet sværdspids-kontakt og giver dig bedre kontrol med kædesaven i uventede situationer.

EN
FR
DE
ES
IT
NL
PT
DA
SV
FI
NO
RU
PL
CS
HU
RO
LV
LT
ET
HR
SL
SK
BG

- **Brug kun de typer reservesværd og -kæder, der er foreskrevet af producenten.** Ikke-godkendte reservesværd og -kæder kan forårsage kædebrud og/eller tilbageslag ('kickback').
- **Følg producentens vedligeholdelsesvejledning for savkæden.** Reduktion af dybdeindstillingen kan medføre øget tilbageslag ('kickback').

SKUB OG TRÆK

Se side 279.

Motorsaven vil altid trække modsat kædens omdrejningsretning. Dermed skal operatøren være parat til at styre maskinens tendens til at trække sig væk (fremad), når der saves på sværdets underkant, og til at skubbe sig bagud (mod operatøren), når der saves på overkanten.

SAV HAR SAT SIG FAST I SAVERILLEN.

Stop kædesaven, og gør den sikker. Man skal undgå at tvinge kæden og sværdet ud af saverillen, da man herved risikerer at knække kæden, som så kan slå tilbage og ramme operatøren. Denne situation opstår normalt, fordi træet er forkort understøttet og tvinger saverillen til at lukke under sammenpresning og derved fastklemme klingens. Hvis man ikke kan løse sværdet og kæden ved at justere understøttelsen, kan man bruge trækiler eller en løftestang til at åbne saverillen og frigøre produktet. Forsøg aldrig at starte kædesaven, når sværdet allerede befinder sig i en saverille eller -fuge.

VEJLEDNING VEDR. KORREKT TEKNIK TIL GRUNDLÆGGENDE FÆLDNING, AFGRENING OG TVÆRSAVNING

Forståelse af kræfterne i træet

Når man forstår de retningsbestemte trykkræfter og belastninger inde i træet, kan man begrænse "fastklemningerne" eller i det mindste være forberedt på dem under savearbejdet. Spændinger i træet betyder, at fibrene trækkes fra hinanden, og hvis man saver i dette område, vil "saverillen" eller snittet være tilbøjelig til at åbne sig, når saven går igennem. Hvis en kægle understøttes på en savbuk, og enden rager ud over enden uden understøttelse, og der derefter genereres spænding på den øverste overflade som følge af vægten af den overhængende kægle, vil fibrene blive strukket. På samme måde vil kævlens underside blive sammenpreset, så fibrene presses sammen. Hvis der foretages et snit i dette område, vil saverillen have tendens til at lukke sig sammen under savningen. Herved vil klingens blive fastklemt.

Fældning af et træ

Se side 277 - 278.

Når der udføres afkørings- og fældningsarbejde af to eller flere personer på samme tid, skal fældningsarbejdet adskilles fra afkøringsarbejdet med en afstand på mindst to gange højden af det træ, der skal fældes. Træer må ikke fældes på en måde, som kan bringe personer i fare, ramme forsyningslinjer eller forårsage materielle skader. Hvis træet berører en forsyningslinje, skal det pågældende selskab underrettes øjeblikkeligt.

Når man fælder et træ på en skråning, skal man stille sig på den højstliggende side af træet, der sandsynligvis vil rulle eller skride ned af bakke, når det er fældet.

90 | Dansk

Der skal planlægges og ryddes en flugtvej, inden savningen påbegyndes. Flugtvejen skal forløbe bag ved og diagonalt på bagsiden af den forventede fældlinje.

Før fældningen påbegyndes, skal man tage bestik af træets naturlige hældning, placeringen af større grene samt vindretningen for at vurdere, hvilken vej træet vil falde.

Fjern snavs, sten, løs bark, søm, hæfteklammer og wire fra træet.

Forsøg ikke at fælde træer, som er rådne eller er blevet beskadiget af vind, brand, lynnedslag osv. Dette er ekstremt farligt og bør kun udføres af professionelle trækirurger.

■ Fremstilling af forhug

Se side 277 - 278.

Lav forhugget over 1/3 af træets diameter, retvinklet på faldretningen. Lav først det nederste horisontale forhug. Dette vil hjælpe med at undgå fastklemning af enten savkæden eller sværdet, når man laver det andet forhug.

■ Fældnings-baghug

Se side 277 - 278.

Lav fældnings-baghugget mindst 50 mm højere end det horisontale forhug. Sørg for, at fældnings-baghugget er parallelt med det horisontale forhug. Lav fældnings-baghugget således, at der er nok træ tilbage til, at det kan fungere som et hængsel. Hængseltræet forhindrer træet i at vride sig og falde i den forkerte retning. Undgå at save gennem hængslet.

I takt med at fældningen kommer tæt på hængslet, bør træet begynde at falde. Hvis der er nogen som helst risiko for, at træet ikke falder i den ønskede retning, eller at det vipper bagud og binder savkæden, skal man stoppe med at save, inden fældesnittet er færdigt, og i stedet bruge kiler af træ, plast eller aluminium til at åbne snittet og få træet til at falde langs den ønskede fældlinje.

Når træet begynder at falde, fjerner man kædesaven fra snittet, stopper motoren, sætter kædesaven ned, og benytter derefter den planlagte flugtvej. Vær opmærksom på nedfaldende grene, og hold øje med, hvor du træder.

Fjerning af brætrødder

Se side 278.

En brætrodder er en af de store rødder, der stikker ud fra træstammen over jorden. De store brætrødder skal saves over, inden træet fældes. Sav først vandret ind og derefter lodret ned i hver brætrodder. De opståede, løse rodstykker skal fjernes fra arbejdsområdet. Begynd derefter at fælde træet med brug af korrekt arbejdsteknik.

Afkortning af en stamme

Se side 279.

Med afkortning menes opskæring af en stamme i kortere længder. Det er vigtigt at sikre sig, at man har et solidt fodfæste, og at ens vægt er jævnt fordelt på begge fødder. Stammen bør så vidt muligt løftes og understøttes ved hjælp af grene, kævler eller klodser. Følg den enkle vejledning for nem savning. Når stammen er understøttet over hele længden, saver man den fra oversiden.

Når stammen er understøttet i den ene ende, saver man 1/3 diameter fra undersiden af stammen. Man afslutter



derefter snittet via savning ovenfra ned til det første snit. Når stammen er understøttet i begge ender, saver man 1/3 diameter fra oversiden af stammen. Man afslutter derefter snittet ved at save de nederste 2/3 nedefra op til det første snit.

Ved afkortning af en stamme, der ligger på en skrånning, skal man altid stå på siden oven for stammen. Når man "saver igennem", skal man - for at bevare den fulde kontrol - lette savetrykket nær slutningen af snittet, men uden at slippe grebet om kædesavens håndtag. Undlad at lade kæden røre ved jorden. Efter et udført snit skal man vente, til savkæden stopper, inden man atter bevæger kædesaven. Man skal altid stoppe motoren, inden man går fra træ til træ.

Afgrening af et træ

Se side 280.

Med afgrening menes afsavning af grene fra et fældet træ. Under afgreningen skal man lade de nederste større grene sidde, så stammen holdes oppe fra jorden. Fjern de små grene i ét snit. Grene under spænding skal afsaves nedefra for at undgå, at kædesaven sætter sig fast.

Savning af opspringende grene

Se side 280.

"Træ i spænd" kan være alle slags stammeog grenstykker, stubbe på rødder eller ungræer, der er bragt i spænd under vægten af et andet træ(stykke), og som vil springe tilbage i den oprindelige stilling, hvis man fælder eller fjerner det træ, der tynger.

Når man laver det sidste snit, inden et fældet træ vælter, vil stubben på rødder sandsynligvis springe tilbage i lodret stilling. Vær på vagt over for træstammer mv. i spænd – de er farlige! Forsøg ikke at skære i bukkede grene eller træstubbe, som er under spænding, med mindre du er fagligt uddannet og kompetent til dette.

TRANSPORT OG OPBEVARING

- Stop motoren, aktivér kædebremsen, afmonter tændrørskablet fra tændrøret, og lad produktet køle af, inden det stilles til opbevaring eller transporteres.
- Afrens alle fremmedlegemer fra produktet.
- Tøm benzintanken helt. Brug en dunk, der er godkendt til brændstof. Husk at genpåsætte og fastspænde brændstofblandingsdækslet ordentligt.
- Start motoren og lad den gå, til den kører tør. Herved undgår man, at benzin-/olieblandingen skiller og skaber fedtede, gummiagtige aflejringer i benzinsystemet.
- Tøm olien fra kædeolie-beholderen over i en godkendt dunk. Husk at genpåsætte og fastspænde kædesmøredækslet ordentligt.
- Husk altid at montere sværdskedlen, inden produktet stilles til opbevaring eller transporteres.
- Opbevar den på et køligt, tørt og godt ventileret sted utilgængeligt for børn. Opbevar motorsaven på afstand af ætsende midler som f.eks. havekemikalier og optønings salt. Må ikke opbevares udendørs.
- Når man bærer produktet over korte afstande (fra ét arbejdsområde til det næste), skal man altid aktivere kædebremsen, så savkæden ikke kan bevæge sig.

- Når man transporterer produktet, skal man sikre det, så det ikke kan bevæge sig eller vælte; dette for at forebygge personskader eller skader på produktet.
- Produktet må aldrig bæres eller transporteres, mens det kører.

Overhold alle ISO-normer og gældende bestemmelser for sikker opbevaring og håndtering af benzin. Overskydende benzin bør opbruges i et fartøj eller en anden maskine med 2-taktsmotor.

VEDLIGEHOLDELSE

Produktet skal altid holdes i god stand.

⚠ ADVARSEL

Brug kun originale reservedele, ekstraudstyr og tilbehør fra producenten. I modsat fald er der fare for personskader, dårlig maskinydelse og annullering af garantien.

⚠ ADVARSEL

Vedligeholdelse kræver stor omhyggelighed og viden og kun bør udføres af en kvalificeret tekniker. Til servicering og reparation skal produktet indleveres på nærmeste autoriserede servicecenter. Skal dele udskiftes må kun identiske reservedele anvendes.

⚠ ADVARSEL

Inden inspektion, rengøring eller servicering af produktet skal man stoppe motoren, aktivere kædebremsen og fjerne tændrørskablet fra tændrøret. Hvis disse regler ikke overholdes, kan man komme alvorligt til skade eller forårsage betydelige materielle skader.

- Du kan lave justeringer og reparationer beskrevet i denne brugervejledning. Til andre reparationsopgaver skal man kontakte den autoriserede servicemontør.
- Konsekvenser af forkert vedligeholdelse kan være, at kædebremsen og andre sikkerhedsanordninger ikke fungerer rigtigt, hvilket øger potentialen for alvorlige personskader. Sørg for at vedligeholde kædesaven professionelt og sikkert.
- Sikker opslibning af kæden kræver specialviden. Derfor anbefaler producenten på det kraftigste, at en slidt eller uskarp kæde udskiftes med en ny, der fås få autoriserede Ryobi-servicecentre. Reservedelsnummeret fremgår af produktspecifikationstabellen i denne brugsanvisning.
- Følg vejledningen i smøring og kontrol/justering af kædespænding.
- Produktet skal rengøres med en blød klud efter hver brug.
- Tjek ofte alle møtrikker, bolte og skruer om de sidder godt fast, og sørg for at produktet fungerer ordentligt. Enhver del, som bliver beskadiget, skal repareres ordentligt eller udskiftes på et autoriseret servicecenter.

UDSKIFTNING AF SVÆRD OG SAVKÆDE

Se side 282 - 285.

1. Stop produktet. Benyt beskyttelseshandsker.



- Deaktivér kædebremsen.
- Skru styresværdets låseknop af, og fjern kædehjulsdækslet.
- Fjern sværdet og savkæden fra enheden.
- Rengør undersiden af kædehjul.
- Man udskifter sværdet ved at løsne skruen på kædespændemodulet. Montér kædespændemodulet på det nye sværd, og spænd møtrikken til.
- Montér styresværdet og kædestrammemodulet på kædesaven. Sænk styresværdet således, at bolten går gennem hullet i sværdet og kædestrammemodulet.
- Savkæden skal vende i kædens rotationsretning. Hvis de peger i forkert retning, skal kædeløkken vendes om.
- Anbring løkken rundt om drivhjul. Anbring kædestyreleddene i sværdtrillen. Om nødvendigt kan man rotere kædestrammemodulet for at stramme kæden, så den lettere holdes på plads.
- Udskift kædehjulsdækslet.
- Justér kædespændingen. Se afsnittet "Justering af kædespænding".

RENSNING AF LUFTFILTER

Se side 290.

- Stop produktet. Kontrollér, at kædebremsen er i bremseposition.
- Løsn låseknappen på luftfilterdækslet, og fjern det fra produktet.
- Fjern luftfilteret.
- Fjern støv og snavs fra luftfiltret med en børste. Om nødvendigt kan man adskille luftfiltret med en kærsvkruetrækker og rengøre det indvendigt.
- Genpåsæt luftfilterdækslet, og spænd låseknappen fast.

RENGØRING AF GNISTFANGET

Se side 291.

⚠ ADVARSEL

Lydpotten er varm under og efter, at produktet har været anvendt. For at undgå alvorlige personskader skal man holde alle kropdele på afstand af lydpotten under og efter brug.

- Stop produktet. Kontrollér, at kædebremsen er i bremseposition. Lad lydæmperen køle af.
- Fjern den skrue, der holder lydpotdækslet fast til barkstøtten, og fjern derefter de to møtrikker på lydpotdækslet.
- Fjern lydpotdækslet.
- Tag gnistfanget ud. Gnistfangsskærmen skal rengøres med en lille stålbørste.
- Genpåsæt lydpotdækslet. Man genpåsætter lydpotdækslet ved at udføre ovenstående procedure i omvendt rækkefølge.

⚠ ADVARSEL

Barkstøtten er en sikkerhedsanordning på produktet. Når man har genpåsæt lydpotdækslet, skal det fastskrues med den rigtige skrue. Manglende overholdelse af denne anvisning kan medføre alvorlige personskader eller dødsfald.

INSPEKTION OG RENGØRING AF KÆDEBREMSEN

Se side 294.

- Kædebremsens mekanisme skal altid holdes ren ved at børste den fri for snavs.
- Man skal altid funktionsteste bremsen efter rengøring.
- Se "Betjening - kontrol og betjening af kædebremse" tidligere i denne brugsanvisning for yderligere information.

JUSTERING AF MOTORHASTIGHED OG KARBURATOR

⚠ ADVARSEL

Forkert justering af karburatoren kan øge risikoen for personskader, dødsulykker eller skader på produktet. Hvis karburatoren skal justeres, skal produktet indleveres på et autoriseret servicecenter.

VEDLIGEHOLDELSESOVSIGT

Daglig kontrol	
Brændstofblanding	Inden hver brug
Stangsmøring	Inden hver brug
Kædespænding	Inden hver brug - og hyppigt
Koblingaktivering (ingen kædebevægelse i tomgangshastighed)	Inden hver brug
Kædeskarphed	Inden hver brug, visuel kontrol
For beskadigede dele	Inden hver brug
For løse spænder	Inden hver brug
For løse dele	Inden hver brug
Kædebremsefunktion	Inden hver brug
Til brændstoffækage	Inden hver brug

KONTROLLER OG RENGØR

Sværd	Inden hver brug
Hele saven	Efter hvert brug
Luft filter	Hver 5. time*
Kædebremse	Hver 5. time*
Udskiftning af brændstoffilter	Årlig
Udskiftning af brændstoffilter	Årlig

*Driftstimer

UUNDGÅELIGE RISICI

Selv om produktet anvendes som foreskrevet, er det stadig umuligt at eliminere visse uundgåelige risikofaktorer fuldstændigt. Følgende risici kan opstå under brug, og operatøren bør være særligt opmærksom for at undgå følgende:

- Personskader forårsaget af vibration. Brug altid det rigtige værktøj i forhold til arbejdsopgaven, benyt de hertil indrettede håndtag, og sørg for at begrænse arbejds- og eksponeringstiden.
 - Eksponering for støj kan medføre høreskader. Benyt høreværn, og begræns eksponering.
 - Kontakt med savkædens blottede tænder (fare for skæring).
 - Uforudsete, pludselige bevægelser eller tilbageslag ("kickback") af styresværdet (fare for skæring).
 - Dele udslynget fra savkæden (fare for skæring/injektion).
 - Udslyngede dele af emnet (træspåner, splinter).
 - Inhalering af savstøv og partikler eller emissioner fra benzinmotoren.
 - Hudkontakt med benzin/olie.
3. Forreste håndskærm/kædebremse
 4. Forhåndtag
 5. Luftfilterdæksel
 6. Startgreb
 7. Baghåndtag
 8. Bumper spike
 9. Lydpottedæksel
 10. Tankdæksel
 11. Kædeolie-dæksel
 12. Tændingskontakt
 13. Gashåndtagets udløserknop
 14. Gashåndtag (klemmegreb)
 15. Primer
 16. Chokergreb
 17. Kombinøgle
 18. Kædehjulsskærm
 19. Fangetap
 20. Justeringsring til kædestrammer
 21. Låseknop til styresværd
 22. Sværdskede

RISIKOREDUKTION

Der er rapporteret om, at vibrationer fra håndholdte værktøjer kan være medvirkende til en lidelse kaldet Raynauds syndrom hos visse personer. Symptomerne herpå kan være prikken, følelsesløshed og blegning af fingrene, der normalt viser sig ved kuldepåvirkning. Faktorer som arvelighed, udsættelse for kulde og fugt, kost, rygning og arbejdsvaner menes alle at medvirke til udviklingen af disse symptomer. Der findes forholdsregler, som operatøren kan træffe for at begrænse påvirkningen fra vibrationer:

- Hold kroppen varm i koldt vejr. Brug handsker, så hænder og vrister holdes varme under arbejdet. Der er rapporteret om, at koldt vejr er en væsentlig faktor til Raynauds syndrom.
- Motionér efter hver arbejdsperiode for at øge blodcirkulationen.
- Hold hyppige arbejdspauser. Begræns eksponeringen for vibrationer pr. dag.
- Beskyttelseshandsker fra professionelle kædesavsforhandlere er designet specifikt til kædesavsbrug og yder beskyttelse og giver et godt greb. Handsker reducerer også effekten af håndtagsvibration. Disse skal opfylde EN381-7 og skal være CE-mærket.

Hvis du mærker nogen af symptomerne på denne tilstand, skal du straks ophøre med arbejdet og søge læge.

⚠ ADVARSEL

Længere tids brug af et værktøj kan forårsage - eller forværrer - personskader. Når man bruger et værktøj i længere perioder ad gangen, skal man huske at holde hyppige pauser.

KEND PRODUKTET

Se side 271.

DELE

1. Kæde
2. Sværd

SIKKERHEDSUDSTYR

SIKKERHEDSKÆDE (LAV TILBAGESLAGS-EFFEKT)

En low-kickback-savkæde bidrager til at reducere risikoen for tilbageslag ("kickback").

Rytterne (dybdestop), der sidder foran hver af savtænderne, kan mindske tilbageslageffekten, idet de forhindrer savtænderne i at skære for dybt i det farlige område øverst på sværdspiden. Brug kun de kombinationer af reservesværd og -kæder, der er foreskrevet af producenten. Man skal være ekstra påpasselig med kæder, der er blevet fileet, da disse har mistet en del af deres evne til at modvirke tilbageslag. Af sikkerhedshensyn skal savkæder udskiftes, så snart deres ydelse aftager.

BUMPER SPIKE

Den integrerede "bumper spike" (spids stop til at holde saven stabil ved træ) kan bruges som drejetap, når der skæres. Dette bidrager til at holde selve kædesaven stabil under arbejdet. Når man saver, skal man skubbe maskinen fremad, indtil tænderne griber ind i kanten af træet, og dernæst bevæge det bageste håndtag op eller ned i retning af skærelinjen for at begrænse den fysiske anstrengelse ved savningen.

SVÆRDTYPER

Generelt har styresværd med tyndere spids lavere tendens til tilbageslag ("kickback") Brug kun de kombinationer af reservesværd og -kæder, der er foreskrevet af producenten. Brug af styresværd, som ikke er godkendt eller anbefalet, øger risikoen for at miste kontrollen under savningen. Man skal kontrollere kædespændingen med jævne mellemrum. Når man saver mindre grene (mindre end sværdets fulde længde), er kæden mere tilbøjelig til at springe af, hvis den ikke er korrekt spændt.

KÆDEBREMSE

Kædebremsen er beregnet til at standse kæden hurtigt, når gashåndtaget slippes. Når kædebremsegreb/-håndskærm skubbes fremad mod sværdet, skal kæden standse øjeblikkeligt. Kædebremsen forhindrer ikke tilbageslag.

Dette reducerer kun risikoen for personskader, hvis sværdet skulle komme i kontakt med operatørens krop i tilfælde af et tilbageslag ('kickback'). Kædebremsen skal funktionstestes inden hver brug i både drifts- og bremseposition.

FANGETAP

Et kædefang forhindrer, at savkæden kastes tilbage mod operatøren, hvis savkæden bliver slap eller knækker.

SYMBOLER PÅ PRODUKTET



Sikkerheds Varsel



Alle vejledninger skal læses og forstås, inden produktet benyttes; følg alle advarsler og sikkerhedsinstrukser.



Benyt øjen-, høre- og hoveddværn.



Benyt skridsikkert sikkerhedsfodtøj, når produktet anvendes.



Brug friktionsfri, kraftige handsker.



Pas på tilbageslag ("kickback") fra kædesaven, og undgå kontakt med sværdspidsen.



Hold og styr motorsaven med begge hænder.



Anvend aldrig motorsaven med kun én hånd.



Dette redskab overholder alle lovkrav og standarder i det EU-land, hvor det er købt.



Brug blyfri benzin til personvogne med et oktantal på 91 ((R+M)/2) eller derover.



Brug 2-taktsolie til luftkølede motorer.



Bland brændstofblandingen grundigt - også altid inden tankning.



Påfyld sværd- og kædeolie, hver gang du kommer brændstof på produktet.



Sæt kædebremsen i pos. RUN (=KØR).



Sæt kædebremsen i pos. BRAKE (=BREMS).



Stil tændingskontakten i pos. ON (=tændt).



Tryk PRIMEREN helt i bund og slip den igen - 10 gange i alt.



Indstil chokerhåndtaget i chokerposition "FULL" (=fuld).



Træk i startsnoren, indtil motoren tænder én gang (højest 5 træk i snoren).



Indstil chokerhåndtaget i chokerposition "HALF" (=halv).



Træk i starthåndtaget, til motoren starter.



Pres udløseren og gasudløseren ind.



EurAsian overensstemmelsesmærke



Det garanterede lydeffektniveau er 112 dB.



Sværd- og kædesmørelie



Blyfri benzin og 2-taktsolie.



Arbejdsstilling



Halv choker-position







Chokerposition "FULL" (=fuld)











Lås



Oplås

-  Roteret for at justere kædespændingen
+ = Stram kæden
- = Løsn kæden
-  Kædens bevægelsesretning
(Markeret under kædehjulsdækslet)
-  Normal modus
-  Antifrost-modus
- T Justering af tomgangshastighed
- H Justeringsnål for høj hastighed
- L Justeringsnål for lav hastighed

SYMBOLER I DENNE BRUGSANVISNING

-  Benzin/olie skal blandes udendørs og på afstand af steder, hvor gnister eller åben ild forekommer.
-  Undlad at ryge, når du blander brændstof eller fylder brændstoftanken.
-  Dele eller tilbehør, der sælges separat
-  Elektriske affaldsprodukter bør ikke afskaffes sammen med husholdningsaffald. Genbrug venligst hvor faciliteterne tillader dette.
-  Bemærk
-  Advarsel!
-  Benyt øjen- og ansigtsværn.
-  Benyt overkropsværn.
-  Benyt benværn.



Stop produktet.



Lås filteradgangsdækslet.



Lås filteradgangsdækslet op.

Formålet med nedenstående signalord og betydninger er at tydeliggøre risikoniveaueet i forbindelse med produktet:

FARE

Indikerer en meget farlig situation, som hvis ikke undgås, kan føre til alvorlige skader og i værste fald døden.

ADVARSEL

Indikerer en potentielt farlig situation, som hvis ikke undgås, kan føre til alvorlige skader og i værste fald døden.

PAS PÅ

Indikerer en potentielt farlig situation, som hvis ikke undgås, kan føre til mindre eller moderate skader.

PAS PÅ

Uden sikkerhedsadvarselssymbol

Indikerer en situation, som kan medføre materiel skade.

EN
FR
DE
ES
IT
NL
PT
DA
SV
FI
NO
RU
PL
CS
HU
RO
LV
LT
ET
HR
SL
SK
BG

Säkerhet, prestanda och pålitlighet har varit högsta prioritet vid design av din Bensindriven motorsåg.

ANVÄNDNINGSMÅL

Produkten är enbart avsedd för utomhusbruk på väl ventilerade områden. Av säkerhetsskäl ska produkten hela tiden kontrolleras med båda händerna.

Produkten är designad för att sköra grenar, stammar, stockar och balkar upp till diameter som klingans såglängd. Du får endast såga i trä, inte i några andra material. Den får enbart användas till privata ändamål av vuxna som har utbildats gällande de risker som finns och försiktighetsåtgärder som ska vidtas vid användning.

Använd inte produkten till något annat än vad som anges ovan. Den är inte avsedd för yrkesmässigt bruk. Produkten får inte användas av barn eller av personer som inte tillräckligt personlig skyddsutrustning och -kläder.

⚠ VARNING

När man använder apparaten måste säkerhetsföreskrifterna följas. För egen och åskådarens säkerhet måste du läsa och vara helt införstådd med dessa instruktioner innan du använder produkten. Du bör gå en yrkesmässigt organiserad utbildning för användning, förebyggande åtgärder, första hjälpen och underhåll av motorsågar. Förvara instruktionerna på ett säkert ställe för användning vid senare tillfälle.

⚠ VARNING

Motorsågar är potentiellt mycket farliga redskap. Olyckor med motorsågar leder ofta till stymning eller dödsfall. Det är inte bara kedjan som är farlig. Fallande grenar och träd, rullande stockar kan också döda. Dött eller ruttet timmer är extra farligt. Kontrollera alltid att arbetet kan utföras på säkert sätt. Om du tvekar ska du lämna det till yrkesarbetare.

ALLMÄNNA SÄKERHETSFÖRESKRIFTER

- I vissa regioner finns regleringar som begränsar användning av produkten. Ta kontakt med lokala myndigheter för information.
- Låt aldrig barn eller personer som inte har läst dessa anvisningar använda produkten. Lokala regler kan åldersbegränsa användningen av gräsklipparen.
- Kontrollera före användning så att reglage och säkerhetsanordningar fungerar som de ska. Använd inte produkten om "Off"-läget inte stoppar motorn.
- Starta och kör aldrig motorn i ett tillstängt eller dåligt ventilerat utrymme; inandning av ångor kan döda.
- Rengör arbetsområdet före användning, ostädad arbetsområde kan leda till olyckor.
- Använd ordentliga syn- och hörselskydd, grova skyddshandskar, skyddsstövlar med halkfria sulor samt skyddshjälm vid arbete med produkten. Använd en ansiktsmask om användningen är dammig.
- Bär inte löst sittande kläder, korta byxor eller smycken av något slag.

- Sätt upp hår som är längre än till axlarna så att det inte trasslas in i rörliga delar.
- Se upp för kringkastade, flygande eller fallande föremål. Håll alla åskådare (speciellt barn och djur) minst 15 m bort från arbetsområdet.
- Använd aldrig produkten i explosiv eller lättantändlig atmosfär.
- Se till att ha ett fast grepp om båda handtagen när produkten används.
- Var på din vakt, håll reda på vad du gör och använd sunt förnuft vid drift av enheten. Använd inte produkten om du är trött, sjuk eller påverkad av alkohol, droger eller medicin. Ett ögonblicks ouppmärksamhet vid användningen av maskinen kan leda till allvarliga personskador.
- Använd endast i god belysning. Operatören måste ha god överblick över arbetsområdet för att upptäcka potentiella faror.
- När du använder hörselskydd minskar din förmåga att uppfatta varningar (skrik och alarm). Du måste vara extra uppmärksam på vad som sker i arbetsområdet.
- Användning av liknande maskiner i närheten ökar risken för både hörselskador och för andra personer i närheten av arbetsområdet.
- Bibehåll ett bra fotfäste och bra balans. Sträck dig inte. Att sträcka sig för mycket kan leda till att man förlorar balansen eller att man exponeras för heta ytor och kan även öka risken för kickback.
- Håll alla kroppsdelar borta från rörliga delar.
- Rör inte vid omgivningen runt ljuddämpare eller motorn, dessa delar blir heta när apparaten används.
- Se över maskinen inför varje användning. Se till att alla reglage fungerar som de ska, inklusive kedjebromsen. Kontrollera för lösa fästen, se till att alla skydd och handtag sitter ordentligt på plats. Byt ut eventuella skadade delar före användning.
- Modifiera inte maskinen på något sätt och använd inte delar eller tillbehör som inte rekommenderats av tillverkaren.

⚠ VARNING

Om produkten tappas, utsätts för hårda slag eller börjar vibrera onormalt mycket ska produkten omedelbart stoppas och kontrolleras för eventuella skador eller orsak till vibrationerna. Eventuella skador ska repareras ordentligt eller bytas ut av ett auktoriserat servicecenter.

- Vid blandning av bränsle eller fylla bränsletanken, inte röker och håll 10 m avstånd från alla antändningskällor.
- Blanda och förvara bränslet i en behållare som godkänts för bensin.
- Blanda bränslet utomhus där det inte finns några gnistor eller öppna lågor. Torka upp eventuellt bränslespill. Förflytta dig 10 m (30ft) bort från påfyllningsstället innan motorn startas.
- Stoppa motorn och låt den svalna före bränslepåfyllning eller transport.
- Kom ihåg att stänga alla bränslelock/behållarlock

ordentligt efter påfyllning eller blandning.

SÄKERHETSFÖRESKRIFTER FÖR MOTORSÅG

- Sätt alltid på klingskyddet när produkten inte används eller transporteras. Det minskar risken för kontakt med de vassa bladen på kedjan av misstag. Bär produkten i övre handtaget med klingan riktad nedåt bort från kroppen.
- Se till att vänja dig vid en ny motorsåg genom enklare kapning av ordentligt säkrat trä. Gör alltid det när du inte har använt sågen under en längre tid.
- Kapa trä på sågbock eller i vagga när produkten används första gången.
- Se till att alla skydd, handtag och spikskydd sitter ordentligt och är i gott skick.
- Personer som använder produkten ska vara friska. Produkten är tung så användaren måste vara fysiskt stark. Användaren ska vara alert, ha god syn, mobilitet, balans och kroppskontroll. Om du tvekar, använd inte produkten.
- Stå inte på instabilt underlag när produkten används. Detta kan inkludera, utan begränsning, stegar, ställningar och träd. Håll alltid båda händerna på produktens handtag.
- Börja inte använda produkten innan arbetsområdet är rensat, har säkert föfäste och en planerad reträttväg bort från fallande träd.
- Var ytterst försiktig då du sågar i små buskar och unga träd, eftersom späda material kan fastna i sågkedjan och piskas mot dig eller dra dig ur balans.
- När en gren som är åtspänd sågas, skall man vara uppmärksam på tillbakafjädring så att man inte träffas då spänningen i träfibren lossas.
- Akta dig för avgasutsläpp, oljeångor och sågdamm. Använd mask eller respirator vid behov.
- Kapa inte smågrenar eller undervegetation (under 75 mm i diameter).
- Håll alltid motorsågen med båda händerna under användning. Håll ett stadigt grepp med tumme och fingrar runt motorsågens handtag. Höger hand på bakre handtaget och vänster hand på främre.
- Innan du startar motorn, skall du kontrollera att sågkedjan inte är i kontakt med något föremål. Se till att kedjebromsen alltid används (helt framtryckt) när produkten startas.
- Modifiera inte produkten och använd den inte för att driva några tillbehör eller enheter som inte rekommenderas av tillverkaren.
- Det ska finnas första hjälpen-utrustning med omslag för större sår och sätt att tillkalla hjälp (exempelvis visselpipa) i närheten av användaren. Ett större mer komplett utrustningspaket ska finnas i rimlig närhet.
- Användaren kan frestas att ta av hjälmen om det inte finns risk för fallande föremål på arbetsområdet men kom ihåg att hjälmen, speciellt om den har nätvisir, kan hjälpa till att minska risken för skador på ansikte och huvud vid bakslag.
- En felaktigt spänd kedja kan hoppa av klingan och leda till allvarlig personskada eller dödsfall. Kedjans längd

beror på kedjans temperatur och skick. Kontrollera spänningen regelbundet.

- Håll handtagen torra, rena och fria från olja och fett. Feta och oljiga handtag kan glida och göra att du förlorar kontroll.
- För att minska skaderisken med roterande delar ska motorn alltid stoppas, kedjebromsen aktiveras, tändkabeln tas bort och se till att alla rörliga delar har stannat helt före
 - rengöring eller rensning av ett stopp
 - att lämna produkten utan tillsyn
 - installation eller borttagning av tillbehör
 - kontroll, underhåll eller arbete på maskinen
- Arbetsområdets storlek beror på det arbete som utförs samt storleken på det träd eller arbetsstycke som sågas. Exempelvis kräver trädfällning större arbetsområde än andra kapningar, som på sågbock, etc. Användaren ska vara uppmärksam och ha kontroll på allt som händer på arbetsområdet.
- Kapa inte med kroppen i linje med klingan och kedjan. Om det skulle bli bakslag hjälper detta till att förhindra kedjan att komma i kontakt med ditt huvud eller din kropp.
- Såga inte med en rörelse fram-och-tillbaka, låt kedjan arbeta. Se till att kedjan hålls vass och försök inte trycka kedjan genom snittet.
- Utsätt inte sågen för tryck i slutet av sågningen. Var beredd på att ta emot den extra vikten av sågen när den går igenom trä. Om du inte följer dessa anvisningar finns det risk för allvarliga personskador.
- Stoppa inte sågen mitt i en kapning. Låt kedjan gå tills den är borttagen från kapet.

Personlig skyddsutrustning

Personlig skyddsutrustning i hög kvalitet, sådan som används yrkesmässigt, hjälper till att minska risken för personskada på användaren. Följande bör användas vid bruk av motorsågen:

Skyddshjälm

- ska uppfylla EN 397 och vara CE-märkt

Hörselskydd

- ska uppfylla EN 352-1 och vara CE-märkt

Ögon- och ansiktsskydd

- ska vara CE-märkta och uppfylla EN 166 (skyddsglasögon) eller EN 1731 (nätvisir)

Arbetshandskar

- ska uppfylla EN 397 och vara CE-märkt

Benskydd (chaps)

- ska uppfylla EN 381-5, vara CE-märkta och ge allroundskydd.

Skyddsstövlar för motorsågsbruk

- ska uppfylla EN ISO 20345:2004 och vara märkta med en sköld och en motorsåg för att visa att de uppfyller EN 381-3. (Tillfälliga användare kan använda skyddsstövlar med ståltåhätta som uppfyller EN 381-9 om underlaget är jämnt och det finns minimal risk för att falla eller fastna i undervegetation)

EN
FR
DE
ES
IT
NL
PT
DA
SV
FI
NO
RU
CS
HU
RO
LV
LT
ET
HR
SL
SK
BG

Motorsågsjacka för skydd av överkroppen

- ska uppfylla EN 381-11 och vara CE-märkt

MONTERING

⚠ VARNING

Om några delar är skadade eller saknas, använd inte denna produkt innan delarna har bytts ut. Att inte följa denna säkerhetsvarning kan leda till allvarlig kroppsskada.

SÄTTA SAMMAN SÅGKEDJAN OCH KLINGAN

Se sida 273, Fig 5 - 8.

1. Stoppa produkten. Bär skyddshandskar.
2. Koppla från kedjebromsen.
3. Skruva loss sågklingans läsvred och ta bort drevskyddet.
4. Fäst klingan och kedjespänningen på motorsågen. Sänk klingan så att bulten går genom hålet i klingan och kedjespänningen.
5. Sågkedjan ska vara i samma riktning som kedjans rotation. Vänd på slingan, om de är bakåtriktade.
6. Dra slingan runt drevet. Placera kedjans drivlänkar i spåret. Vid behov kan du rotera kedjespänningen för att späna kedjan något vilket kommer att hjälpa till att hålla den på plats.
7. Sätt tillbaka sågtandskyddet.
8. Justera kedjespänningen. Se avsnittet "Justera kedjespänningen".

INSTÄLLNING AV KEDJESPÄNNING

Se sida 286.

1. Lossa försiktigt klingans läsvred genom att vrida det moturs.
2. För att öka kedjespänningen ska du vrida justeringsringen för kedjespänning medurs och kontrollera kedjespänningen ofta. För att minska kedjespänningen ska du vrida justeringsringen för kedjespänning moturs och kontrollera kedjespänningen ofta.
3. Kedjespänningen är lagom om glappet mellan kedjan och klingan på mitten är 3-4 mm. Dra i kedjan på mitten av nedre sidan av klingan (bort från klingan) och mät avståndet mellan klingan och kedjans tänder.
4. Dra åt klingans läsvred genom att vrida det medurs.

ANMÄRKNING: Temperaturen på kedjan höjs under normal användning vilket gör att kedjan sträcks ut. Kontrollera åtspänningen ofta och spänn vid behov. En kedja som späns åt medan den är varm kanske sitter för hårt när den har svalnat. Kontrollera att kedjespänningen är korrekt justerad enligt specifikationerna i denna manual.

ANVÄNDA PRODUKTEN

BRÄNSLE OCH TANKNING

Säker bränslehantering

⚠ VARNING

Stäng alltid av motorn innan du fyller på bränsle. Fyll aldrig på bränsle i en maskin medan motorn är igång eller varm. Förflytta dig minst 9 m bort från tankningsstället innan motorn startas. Rökning förbjuden! Underlåtelse att följa denna varning medför risk för personskada.

⚠ VARNING

Kontrollera om det finns något bränsleläckage. Om du hittar några ska de korrigeras innan enheten används för att förhindra brand och brännskador.

- Hantera alltid bränsle med försiktighet, det är väldigt brännbart.
- Fyll alltid på bränsle utomhus på säkert avstånd från potentiella antändningskällor, andas inte in bränsleångor.
- Låt inte bensin eller olja komma i kontakt med huden. Vid kontakt, tvätta omedelbart med tvål och rikligt med vatten.
- Håll bensin och olja borta från ögonen. Skölj omedelbart med rent vatten, om bensin eller olja kommer i kontakt med ögonen. Sök omedelbart läkare, om irritation kvarstår.

Blanda bränslet

- Verktaget fungerar med en tvåtaktsmotor som kräver en blandning av bensin och syntetisk tvåtaktsolja (proportion: Blanda blyfri bensin och tvåtaktsolja i en ren behållare som godkänts för bensin).
- Denna motor är godkänd för användning med blyfri bensin för bilar med en oktanhalt på 91 ((R + M)/2) eller högre.
- Använd ingen annan typ av bensin-/oljablandning som säljs på bensinstationer. Detta gäller även bensin-/oljablandningar som är avsedda för mopeder och motorcyklar etc.
- Använd ett högkvalitativt självblandningssmörjmedel för 2-taktsmotorer till luftkylda motorer. Använd inte smörjmedel till bilar eller 2-taktsutombordare.
- Blanda bensinen med 2% olja. Detta är en proportion på 50:1.
- Blanda bränslet noga och före varje tankning.
- Blanda i små kvantiteter. Blanda inte större kvantiteter än som kan användas under en 30-dagarsperiod. Vi rekommenderar 2-takts smörjmedel som innehåller bränslestabilisator.

ANMÄRKNING: Bränslesystemsskador eller användningsproblem som uppstår som ett resultat av användning av syresatta bränslen som överstiger de tidigare angivna procentsatserna täcks inte av garantin.



Fylla på bränsletanken

Se sida 273.

- Rengör ytan runt bränslelocket för att förhindra förorening.
- Lossa bränslelocket långsamt.
- Håll försiktigt bränsleblandningen i bränsletanken. Undvik spill.
- Rengör och inspektera packningen innan du sätter tillbaka bränslelocket.
- Sätt omedelbart tillbaka bränslelocket och dra åt för hand. Torka upp eventuellt bränslespill.

ANMÄRKNING: Det är normalt att motorn ryka under och efter den första användningen.

SMÖRJA KEDJAN MED OLJA

Se sida 273.

⚠ VARNING

Arbeta aldrig utan smörjolja. Om motorsågen går utan smörjolja kan svärd och sågkedja förstöras. Därför måste oljenivån kontrolleras ofta och före varje användning av motorsågen.

1. Gör rent runt oljelocket för att förhindra nedsmutsning av oljan.
2. Skruva av och ta av locket från oljebehållaren.
3. Håll olja i oljebehållaren och läs av på oljemätaren. Se till att skräp inte kommer in i oljebehållaren under påfyllningen.
4. Sätt tillbaka oljelocket och dra åt det. Torka bort eventuellt spill.
5. En full oljebehållare räcker under 20 - 40 minuter.

ANMÄRKNING: Korrekt fungerande smörjsystem för kedja och klinga släpper normalt ifrån sig lite olja från kedjan under användning. Kontrollera funktionaliteten för smörjsystemet för kedja och klinga genom att rikta spetsen på kedjan mot en ljus bakgrund, som ett papper. En distinkt linje med oljespill ska synas efter en kort stund.

Rekommenderad kedjoolja

- Tillverkaren rekommenderar att du enbart använder Ryobi smörjolja för motorsåg. (Finns hos auktoriserat servicecenter)

STARTA PRODUKTEN

Startmetoden skiljer sig beroende på om motorn är varm eller kall.

⚠ VARNING

Håll kroppen till vänster om kedjelinjen. Grensla aldrig sågen eller kedjan, och luta dig inte över kedjelinjen.

- Placera produkten på jämnt underlag och se till att inga föremål eller hinder finns så nära att de kan komma i kontakt med klingan eller kedjan.
- Håll ett stadigt tag i det främre handtaget med vänster hand och sätt höger fot i basen på det bakre handtaget.

ANMÄRKNING: I följande startanvisningar, där

chokereglaget har dragits ut ända till läget START, är förgasaren i läge för start. Återställ förgasaren i RUN-läget, krama och släpp sedan gashandtaget.

För att starta en kall motor:

Se sida 272 - 273

1. Sätt tändningen i läge ON (PÅ).
2. Se till att kedjebromsen är i BRAKE-läget genom att trycka framåt på reglaget/handskyddet.
3. Tryck in och släpp upp PRIMERGUMMIT helt och hållet 10 gånger.
4. Dra ut chokereglaget hela vägen till läget START.
5. När temperaturen är över 10°C, dra i startsnöret tills motorn försöker att starta, men inte fler än 3 gånger. När temperaturen är under 10°C, dra i startsnöret tills motorn försöker att starta, men inte fler än 5 gånger.
6. Tryck chokereglaget till läget "half". Dra i startsnöret tills motorn startar.
7. Släpp upp avtryckarspärren och krama avtryckaren, släpp sedan avtryckaren så att motorn går tillbaka till tomgång.
8. Låt produkten gå på tomgång 15 - 30 sekunder.
9. Innan motorn accelereras eller trä kapas ska du se till att kedjebromsen är i läget "run" genom att dra bak bromsspaken/handskyddet.

⚠ PÅMINNELSE

Om man inte släpper delvis på gasen när kedjebromsen är i bromsläge, kommer maskinen att skadas allvarigt. Tryck aldrig in och håll in hastighetsreglaget medan kedjebromsen är i bromsläge.

För att starta en varm motor:

Se sida 281.

1. Sätt tändningen i läge ON (PÅ).
2. Se till att kedjebromsen är i BRAKE-läget genom att trycka framåt på reglaget/handskyddet.
3. Tryck på primerknappen 10 gånger.
4. Dra ut choken hela vägen till "START" och tryck sedan in den till "RUN".
5. Dra i startsnöret tills motorn startar, men inte mer än 5 gånger. Släpp upp avtryckarspärren och krama avtryckaren, släpp sedan avtryckaren så att motorn går tillbaka till tomgång. Om motorn inte startar efter 5 drag ska du prova med proceduren för kallstart.
6. Innan motorn accelereras eller trä kapas ska du se till att kedjebromsen är i läget "run" genom att dra bak bromsspaken/handskyddet.

VÄXLA MELLAN DRIFTSLÄGEN

Se sida 287.

Produkten har ett antifrys-läge som förhindrar isbildning i karburatorn vid användning i temperaturer under ≤5 °C.

En ventilationsspärr till höger på luftrenarens skydd kan ändras så att varm luft når motorn och förhindrar isbildning i karburatorn.



⚠ VARNING

Om du inte växlar från normalläge till antifrysläge i temperaturer på ≤ 5 °C kommer motoreffekten att reduceras eller att motorn inte fungerar.

Kom alltid ihåg att sätta tillbaka produkten i normalläge när det inte finns risk för isbildning i karburatorn. Om du inte växlar från antifrysläge till normalläge vid normala temperaturer kan det leda till att motorn inte fungerar.

STANNA MOTORN

Släpp hastighetsreglaget och låt motorn gå på tomgång. För att stanna motorn, flytta tändningen till läget "O" stopp. Ställ inte motorsågen på marken medan kedjan fortfarande är igång. Slå på kedjebromsen när sågen inte används, för ökad säkerhet.

Dra ut chokespaken helt och hållet (Full choke), om tändningsknappen inte stoppar sågen, och aktivera kedjebromsen för att stoppa motorn. Om tändningsknappen inte stoppar sågen då den förs till stoppläget "O" måste den repareras innan motorsågen används igen för att förebygga farliga situationer eller svåra skador.

ANMÄRKNING: När du har avslutat användning av produkten ska alltid tanktrycket lättas genom att öppna och sedan dra åt locken till kedjeoljan och bränslet. Låt motorn svalna före förvaring.

HÅLLA PRODUKTEN

Se sida 273.

Håll alltid motorsågen med höger hand på bakre handtaget och vänster hand på det främre. Håll i båda handtagen med tummar och fingrar runt om handtagen. Se till att vänster hand håller främre handtaget med tummen nedåt.

KONTROLLERA OCH ANVÄNDA KEDJEBROMSEN

1. Aktivera kedjebromsen genom att vrida vänster hand runt det främre handtaget. Använd baksidan på handen och tryck kedjebromsreglaget/handskyddet mot staven medan kedjan roterar hastigt. Håll alltid båda händerna på produktens handtag.
2. Återställ kedjebromsen till driftläget genom att ta tag i toppen av kedjebromsreglaget/handskyddet och dra mot främre handtaget tills ett klickande ljud hörs.

⚠ VARNING

Lämna sågen till en auktoriserad serviceagent för reparation innan användning om kedjebromsen inte stoppar kedjan omedelbart eller om kedjebromsen inte stannar kvar i KÖR-läge utan hjälp.

⚠ VARNING

När avtryckaren släpps och motorn går på tomgång ska inte kedjan röra sig. Om den fortsätter att röra sig finns risk för allvarlig personskada för användaren. Använd inte produkten, returnera den till auktoriserat servicecenter för professionell justering.

KONTROLLERA KOPPLINGEN

1. Koppla från kedjebromsen genom att dra kedjebromsspaken/handskyddet mot det främre handtaget till det hörs ett klickljud.
2. Låt motorn gå på tomgång. Se till att sågkedjan inte roterar. Om sågkedjan rör sig vid tomgång, kanske förgasaren måste justeras. Använd inte maskinen. Lämna den till auktoriserat servicecenter för åtgärd.
3. Släpp upp avtryckaren halvvägs och kör produkten på medelhastighet. Sågkedjan ska rotera jämnt om kopplingen är i gott skick.

Orsaker och förhindran av bakslag:

Ett kast kan uppstå när spetsen på svärdet rör vid ett föremål eller om kedjan kllas fast i träet under arbetet.

Vidröring med spetsen kan orsaka en plötslig omvänd reaktion, slå klingan bakåt och uppåt mot användaren.

Om man nyper sågkedjan längs översidan av guidestaven så kan guidestaven tryckas tillbaka mot operatören.

Någon av dessa reaktioner kan göra att du förlorar kontrollen över maskinen vilket kan leda till allvarlig personskada. Förlita dig inte enbart på sågens inbyggda säkerhetsfunktioner. I egenskap av användare av motorsåg, bör du vidta flera olika åtgärder för att hålla alla sågningsarbeten fria från olycksfall och skador.

Bakslag beror på felaktig användning och/eller felaktiga procedurer eller förutsättningar och kan undvikas genom att vidta försiktighetsåtgärder enligt nedan:

- **Ha ett fast grepp med tumme och fingrar runt motorsågens handtag, båda händerna på sågen och se till att kroppen och armarna är beredda på bakslag.** Kraften i bakslag kan kontrolleras av användaren om man vidtar korrekta försiktighetsåtgärder. Släpp inte taget om motorsågen.
- **Sträck dig inte och kapa inte ovanför axelhöjd.** På så sätt undviks önskad beröring med spetsen och det ger bättre kontroll på motorsågen i oväntade situationer.
- **Använd enbart ersättningsklingor och -kedjor som rekommenderas av tillverkaren.** Felaktiga ersättningsklingor och -kedjor kan leda till att kedjan går av och/eller bakslag.
- **Följ tillverkarens instruktioner för sågkedjan.** Minskning av djupet kan leda till ökade bakslag.

DRA OCH SKJUT

Se sida 279.

Reaktionskraften är alltid i motsatt riktning till kedjans rörelseriktning. Därför måste användaren vara beredd att kontrollera tendensen för maskinen att dra iväg (röra sig framåt) vid kapning nära basen på klingan och trycka bakåt (röra sig bakåt) vid kapning nära toppen på klingan.

SÅGEN HAR FASTNAT I KAPET

Stoppa motorsågen och var försiktig. Försök inte tvinga ut klingan ur kapet eftersom kedjan då kan gå av och slå bakåt och träffa användaren. Detta inträffar oftast på grund av att trästycket inte har bra stöd och man försöker tvinga och trycka ned klingan som därvid kommer i kläm. Om ändring av stödet inte gör att klingan och kedjan lossnar kan du prova med träkilar eller liknande för att öppna snittet och lossa produkten. Försök aldrig starta motorsågen om



klingan sitter fast i ett kap eller brott.

INSTRUKTIONER FÖR KORREKT TEKNIK VID GRUNDLÄGGANDE TRÄDFÄLLNING, GRENKAPNING OCH KAPNING

Förståelse för de krafter som finns i trä

När man förstår det riktade tryck och påfrestningarna inuti trä kan man minska "klämningar" eller åtminstone vara förberedd på dem vid kapning. Spänningar i träet innebär att fibrer dras isär och om man kapar i det området kommer kapet att öppnas upp allteftersom sågen går igenom. Om en stock stöds på en sågbock och ena änden hänger utan stöd skapas spänning i den övre delen på grund av vikten från överhänget och det sträcker fibrerna. Samtidigt är undersidan av stocken under tryck och fibrerna där trycks samman. Om man kapar i detta område kommer kapet att ha en tendens att stänga sig under kapningen. Och då kommer sågklingan i kläm.

Fälla träd

Se sida 277 - 278

Vid samtidig kapning och fällning som utförs av två personer eller flera ska fällningen skiljas från kapningen med minst dubbla avståndet motsvarande höjden på det träd som fälls. Träden ska inte fällas på så sätt att det utsätter någon person för fara, kan falla över kablar eller orsaka skador på egendom. Om träd skulle komma i kontakt med kablar ska företaget omedelbart meddelas.

Användaren av motorsågen skall hålla sig i terrängens motlutning eftersom trädet med all sannolikhet kommer att rulla eller glida nedåt efter fällningen.

En reträttväg ska finnas planerad och rensad vid behov innan kapning påbörjas. Reträttvägen ska sträcka sig bakåt och diagonalt mot den förväntade fallriktningen.

Innan fällningen kan påbörjas ska den naturliga lutningen på trädet kontrolleras, placering av större grenar och vindriktningen för att bedöma åt vilket håll trädet kommer att falla.

Ta bort skräp, stenar, lösa barkbitar, spikar, klamrar och vajrar från trädet.

Fäll inte träd som är ruttna eller har skadats av vind, eld, blixtnedslag, etc. Det är extremt farligt och får endast utföras av professionella trädfällare.

■ Skära underifrån

Se sida 277 - 278.

Gör skåran 1/3 av trädets diameter och vinkelrätt mot det håll trädet ska falla. Gör den lägre horisontella skåran först. På så sätt kläms inte sågklingan när den andra skåran görs.

■ Fällskåra på baksidan

Se sida 277 - 278.

Gör fällskåran på baksidan minst 50 mm/2 tum högre upp än den horisontella skåran underifrån. Se till att fällskåran är parallell med horisontella skåran underifrån. Gör fällskåran så att du lämnar tillräckligt med trä för att det ska kunna fungera som gångjärn. Trägångjärnet gör att trädet inte vrider sig och faller i fel riktning. Skär inte igenom gångjärnet.

När fällskåran närmar sig gångjärnet ska trädet börja falla. Om det finns risk att trädet inte kommer att falla i

önskad riktning eller det kan gunga tillbaka och klämma fast sågklingan ska du sluta kapa innan fällskåran är klar och använd kilar av trä, plats eller aluminium för att öppna skåran och fälla trädet i önskad riktning.

När trädet börjar falla tar du bort motorsågen från skåran, stoppar motorn, lägger ner motorsågen och använder den planerade reträttvägen. Var uppmärksam på grenar som faller och var du sätter fötterna.

Avlägsna rotben

Se sida 278.

Ett rotben är en stor rot som sticker ut från trädstammen ovan mark. Avlägsna stora rotben före fällning. Gör först ett horisontellt skär i rotbenet och därefter ett vertikalt skär. Avlägsna den resulterande lösa sektionen från arbetsplatsen. Använd korrekt trädfällningsteknik när du har avlägsnat de stora rotbenen.

Kapa upp en stam

Se sida 279.

Kapa upp är att dela en trästam i delar. Det är viktigt att du har bra fotfäste och att vikten är lika fördelad på båda fötterna. Om det är möjligt ska stocken resas och stöttas med grenar, stockar eller kilar. Följ de enkla anvisningarna för vanlig kapning. Om stocken har stöd över hela längden ska den kapas uppifrån (överkapning).

Om stocken har stöd från ena hållet ska ca 1/3 av diametern kapas underifrån (underkapning). Avsluta sedan med att göra resterande kapning uppifrån så att det möter den första skåran.

Om stocken stöds i båda ändar ska ca 1/3 av diametern kapas uppifrån (överkapning). Avsluta sedan med att göra resterande kapning, 2/3 av diametern, underifrån så att det möter den första skåran.

Om du kapar i en slutning ska du alltid stå på den övre sidan av stocken. När du "sågar igenom" ska du för att behålla kontrollen släppa på trycket mot slutet av skåran för utan att släppa det fasta greppet om handtagen. Låt inte kedjan komma i kontakt med marken. När du kapat klart ska du vänta tills kedjan stannat innan du flyttar motorsågen. Stoppa alltid motorn när du förflyttar dig från träd till träd.

Kvista av träd

Se sida 280.

Att kvista av träd innebär att grenarna tas bort från ett fallt träd. Vid kvistning ska större nedre grenar lämnas kvar som stöd för stammen på marken. Ta bort de mindre grenarna med ett skär. Grenar i spänning ska kapas nerifrån och upp för att inte motorsågen ska klämmas.

Kapa träd i spänning

Se sida 280.

Fjädrande trä är alla stockar, grenar, rotade stubbar, eller ungräd som är böjda under spänning av annat trä så att det fjädrar tillbaka om det trä som håller det på plats sågas av eller avlägsnas.

För fallna träd, är det stor risk att en rotad stubbe fjädrar tillbaka under kapning av stocken från stubben. Se upp för fjädrande trä. Det är farligt. Kapa inte krokiga grenar eller bitar som är i spänning om du inte är utbildad för det och

EN
FR
DE
ES
IT
NL
PT
DA
SV
FI
NO
RU
PL
CS
HU
RO
LT
LV
ET
HR
SL
SK
BG



har kompetensen.

TRANSPORT OCH FÖRVARING

- Stoppa motorn, aktivera kedjebromsen, koppla från tändkabeln från tändstiftet och låt svalna föra förvaring eller transport.
 - Ta bort allt främmande material från produkten.
 - Töm ut allt bränsle från tanken i en behållare som är godkänd för bensin. Kom ihåg att sätta tillbaka och ordentligt dra åt bränsleblandningslocket.
 - Kör motorn tills den stannar. Detta kommer att avlägsna all bränsleblandning som annars kan stagnera och lämna kvar en klabbig beläggning i bränslesystemet.
 - Töm ut all olja för svärd och kedja ur tanken, i en behållare som godkänts för olja. Kom ihåg att sätta tillbaka och ordentligt dra åt motorsågsojlocket.
 - Sätt alltid på sägklingsskyddet före förvaring eller transport av produkten.
 - Förvara den svalt och välventilerat på en plats där barn inte kan komma åt den. Förvara på avstånd från frätande medel, t.ex. trädgårdskemikalier och vägsalt. Förvara den inte utomhus.
 - När produkten bärs kortare sträckor (från en arbetsplats till en annan) ska alltid kedjebromsen vara aktiverad så att sågkedjan inte kan röra sig.
 - Vid transport av produkten ska den säkras mot rörelser eller fallande för att förhindra personskador eller att produkten skadas.
 - Bär eller transporter aldrig produkten när den är igång.
- Följ alla lagar och förordningar beträffande säker förvaring och hantering av bensin. Överflödigt bränsle skall användas i någon annan tvåtaktsdriven utrustning.

UNDERHÅLL

Se till att produkten alltid är i gott skick.

⚠ VARNING

Använd enbart ersättningsdelar och tillbehör från tillverkaren. Om inte kan det eventuellt orsaka skador, sämre resultat och kan upphäva garantin.

⚠ VARNING

Att serva produkten kräver extrem försiktighet och kunskap och bör endast utföras av en kvalificerad servicetekniker. Vid service och för reparation ska produkten lämnas in hos närmaste auktoriserade servicecenter. Använd endast identiska utbytesdelar när produkten servas.

⚠ VARNING

Före översyn, rengöring eller service på produkten ska motorn stoppas, kedjebromsen slås på och tändkabeln kopplas från tändstiftet. Underlåtenhet att följa dessa föreskrifter kan förorsaka allvarliga kroppsskador eller stora materiella skador.

- Du kan göra de justeringar och reparationer som beskrivs i den här manualen. För alla andra reparationer ska godkänt servicecenter kontaktas.
- Följden av eftersatt underhåll kan bli att kedjebromsen och andra skydd inte fungerar som de ska och därmed ökar risken för allvarlig personskada. Se till att motorsågen sköts professionellt och hålls säker.
- Slipa kedjan är en uppgift som kräver stor kunskap. Därför rekommenderar tillverkaren att en sliten eller slö kedja byts ut mot en ny som finns hos din auktoriserade Ryobi-återförsäljare. Artikelnumret finns angivet i specifikationstabellen i manualen.
- Följ instruktionerna för smörjning samt kontroll och justering av kedjespänning.
- Efter rengöring ska maskinen alltid rengöras med en mjuk torr trasa.
- För att vara säker på att produkten är säker att använda, kontrollera alla muttrar, bultar och skruvar regelbundet för att säkerställa att de är åtdragna ordentligt. Skadade delar skall repareras ordentligt eller bytas ut av en auktoriserad servicefirma.

ERSÄTTA SÅGKLINGA OCH -KEDJA

Se sida 282 - 285.

1. Stoppa produkten. Bär skyddshandskar.
2. Koppla från kedjebromsen.
3. Skruva loss sågklingans låsvred och ta bort drevskyddet.
4. Ta bort klingan och kedjan från enheten.
5. Rengör undersidan av drevet.
6. För att byta ut klingan mot en ny lossar du skruven som håller kedjespänningsdelen. Montera kedjespänningen på den nya klingan och dra åt muttern.
7. Fäst klingan och kedjespänningen på motorsågen. Sänk klingan så att bulten går genom hålet i klingan och kedjespänningen.
8. Sägkedjan ska vara i samma riktning som kedjans rotation. Vänd på slingan, om de är bakåtriktade.
9. Dra slingan runt drevet. Placera kedjans drivlänkar i spåret. Vid behov kan du rotera kedjespänningen för att spänna kedjan något vilket kommer att hjälpa till att hålla den på plats.
10. Sätt tillbaka sågtandskyddet.
11. Justera kedjespänningen. Se avsnittet "Justera kedjespänningen".

RENGÖRING AV LUFTFILTRET

Se sida 290.

1. Stoppa produkten. Se till att kedjebromsen är i låst läge.
2. Lossa låsvredet på luftfilterskyddet och ta bort det från produkten.
3. Ta bort luftfiltret.
4. Ta bort damm och skräp från luftfiltret med en borste. Vid behov kan filtret delas med en skruvmejsel så att filtret kan rengöras på insidan.
5. Sätt tillbaka luftfilterskyddet och dra åt låsvredet.

RENGÖRA GNISTSKYDDET

Se sida 291.

⚠ VARNING

Ljuddämparen blir het under och efter användning av produkten. Undvik alarvarliga personskador genom att hålla alla kroppsdelar på säkert avstånd från ljuddämparen under och efter användning.

1. Stoppa produkten. Se till att kedjebromsen är i låst läge. Låt ljuddämparen svalna.
2. T. abort skruven som håller ljuddämparen från den spetsiga bumpen och ta sedan bort de två muttrarna från ljuddämparskyddet.
3. Ta bort ljuddämparskyddet.
4. Ta ur gnistskyddet. Rengör gnistskyddet med en liten stålborste.
5. Byta ut ljuddämparskyddet. För att byta ut ljuddämparskyddet gör du om dessa steg i omvänd ordning.

⚠ VARNING

Den spetsiga bumpen är en säkerhetsdetalj på produkten. Säkra med korrekt skruv efter att ljuddämparskyddet bytts. Om inte instruktionen följs kan det leda till allvarlig personskada eller dödsfall.

SE ÖVER OCH RENGÖRA KEDJEBROMSEN

Se sida 294.

- Se till att kedjebromsen alltid är ren genom att borsta av länkarna så de är fria från skräp.
- Prova alltid kedjebromsens funktion efter rengöring.
- Läs "Användning – Kontrollera och använd kedjebromsen" tidigare i denna bruksanvisning för ytterligare information.

MOTORHASTIGHET OCH JUSTERING AV KARBURATORN**⚠ VARNING**

Fel karburatorinställning kan öka risken för personskador, dödsolyckor och skador på produkten. För justering av karburatorn ska produkten lämnas till auktoriserat servicecenter.

UNDERHÅLLSSCHEMA

Daglig kontroll	
Bränsleblandning	Före varje användning
Svärdsmörjning	Före varje användning
Kedjespänning	Före varje användning och regelbundet
Kedjestopp (kedjan rör sig inte under tomgång)	Före varje användning

Kedjeslipning	Före varje användning, visuellt
Skadade delar	Före varje användning
Lösa fästanelordningar	Före varje användning
Lösa delar	Före varje användning
Kedjebromsfunktionen	Före varje användning
Bränsleläckage	Före varje användning

INSPEKTERA OCH RENGÖR

Stöd	Före varje användning
Hela sågen	Efter varje användning
Lufffilter	Var femte timma*
Kedjebroms	Var femte timma*
By tut bränslefilter	Årligen
By tut bränslefilter	Årligen

*Användningstimmor

KVARSTÅENDE RISKER

Även om produkten används enligt instruktionerna går det inte att eliminera alla eventuella riskfaktorer. Följande risker kan uppkomma under bruk och användaren ska vara extra uppmärksam för att undvika följande:

- Skada orsakad av vibration. Använd alltid rätt verktyg för arbetet, håll ordentligt i handtagen och begränsa arbetstid och exponering.
- Exponering för buller kan orsaka hörselskador. Använd hörselskydd och begränsa exponeringen.
- Kontakt med exponerad sågtand på sågkedjan (risk för kapning).
- Oförutsedd, abrupt förflyttning eller återkast av svärdet (risk för kapning).
- Delar skjuts iväg från kedjan (skär-/sticksår).
- Kringkastade delar av arbetsstycket (träflisor, stickor).
- Inandning av sågdam och sågpartiklar eller utsläpp från bensenmotorn.
- Bensin eller olja som kommer i kontakt med huden.

RISKMINSKNING

Det finns rapporter om att vibrationer från handhållna verktyg kan bidra till ett tillstånd som kallas Raynauds syndrom för vissa personer. Symptomen brukar vara att det sticker i fingrarna och att de domnar bort; fingrarna kan också bli vita, särskilt vid kyla. Årftliga faktorer, kyla och fukt, diet, rökning och arbetsrutiner tros alla bidra till att orsaka dessa symptom. Det finns förebyggande åtgärder

som du kan vidta för att försöka minska vibrationernas påverkan:

- Håll dig varm när du arbetar i kallt väder. Använd handskar för att hålla händer och handleder varma under användning. Kyla har rapporterats som en viktig del i utvecklandet av Raynauds syndrom.
- Träna och rör på dig efter varje användningstillfälle för att öka blodcirkulationen.
- Ta ofta pauser från arbetet. Begränsa tiden du utsätter dig varje dag.
- Skyddshandskar finns att köpa hos välsorterade motorsågsförsäljare och är speciellt utformade för motorsågsanvändning, de ger skydd och bra grepp. Handskar tar även bort en del av vibrationseffekten i handtagen. Dessa handskar ska uppfylla EN 381-7 och vara CE-märkta.

Upphör omedelbart om du upplever några av dessa symptom och uppsök din läkare.

VARNING

Risk för person- eller slitageskador vid användning av verktyget under lång tid. Om verktyget används under längre perioder krävs regelbundna pauser.

LÄR KÄNNA PRODUKTEN

Se sida 271.

DELAR

1. Kedja
2. Svärd
3. Främre handskydd/kedjebroms
4. Främre handtag
5. Luftfilterlock
6. Startgrepp
7. Bakre handtag
8. Stötdämpningsspets
9. Ljuddämparskydd
10. Bränsleblandningslock
11. Kedjeoljelock
12. Tändningsströmbrytare
13. Avtryckarfrigöring
14. Avtryckare med hastighetsreglage
15. Primergummi
16. Chokespak
17. Kombinationsnyckel
18. Sågtandskydd
19. Kedjestoppare
20. Justeringsring, kedjespänning
21. Låsvred för sågklinga
22. Klingskydd

SÄKERHETSENHETER

SÅGKEDJA MED LÅG KASTRISK

En såg med "low-kick-back" hjälper till att minska risken för bakslag.

Underställningsklackarna (djupmätarna) framför varje sågtand kan minimera kaststyrkan genom att hindra sågtänderna från att skära för djupt i kastzonen.

Använd enbart kombinationer av klinga och kedja som rekommenderas av tillverkaren vid utbyte.

Då sågkedjan slipas, förloras en del av dess antikastegenskaper och extra försiktighet bör iakttagas. För säkerhets skull ska kedjan bytas ut när effekten försämras.

STÖTDÄMPNINGSSPETS

Den integrerade stötdämpningsspetsen kan användas som en svängstopp vid sågning. Det hjälper till att hålla motorsågen stabil under kapningen. Vid kapning förs motorsågen framåt tills tänderna biter i träkanten, sedan förs bakre handtaget upp och ned i kapningsriktningen för att minska spänningen i kapningen

SVÄRD

Generellt har klingor med mindre radie något lägre risk för kickbacks. Använd enbart kombinationer av klinga och kedja som rekommenderas av tillverkaren vid utbyte. Användning av icke rekommenderad klinga ökar risken för förlorad kontroll under sågning. Kontrollera kedjespänningen regelbundet. Vid kapning av mindre grenar (mindre än klingans halva längd) finns det större risk att kedjan lossnar om inte spänningen är korrekt.

KEDJEBROMS

Kedjebromsen är utformad för att snabbt stoppa kedjan från att rotera. Då kedjebromsens spak/handskyddet trycks mot svärdet, skall kedjan stanna omedelbart. En kedjebroms förebygger inte kast. Den sänker bara risken för skada om sågklingan skulle komma i kontakt med användaren vid ett bakslag. Kedjebromsen ska testas före alla användningstillfällen så att den fungerar korrekt i både såg- och bromsläge.

KEDJESTOPPARE

Kedjefångare förhindrar att sågkedjan kastas tillbaka mot användaren om kedjan skulle lossna eller gå av.

SYMBOLER PÅ PRODUKTEN



Säkerhetsvarning



Läs igenom och var införstådd med alla instruktioner före användning av produkten, var uppmärksam på alla varningar och säkerhetsinstruktioner.



Använd alltid ögon-, hörsel- och ansiktsskydd.



Bär halkskyddade säkerhetsskor när du använder produkten.



Används halkfria, grova skyddshandskar.



Se upp för kickback från motorsågen och undvik kontakt med spetsen.



Håll i och använd kedjesågen med båda händerna.



Använd inte kedjesågen med bara en hand.



Detta verktyg uppfyller alla standarder i de EU-länder där det kan köpas.



Använd blyfri bensin avsedd för bilar med ett oktantal på 91 ((R+M)/2) eller mer.



Använd 2-taktsolja för luftkylda motorer.



Blanda bränsleblandningen noggrant och före varje påfyllning.



Fyll på olja för klinga och kedja varenda gång du fyller på bränsle på produkten.



Sätt kedjebromsen i läget "RUN".



Sätt kedjebromsen i läget "BRAKE".



Sätt tändningen i läge ON (PÅ).



Tryck in och släpp upp PRIMERGUMMIT helt och hållet 10 gånger.



Ställ in chokespaken i "FULL"-läge.



Dra i startsnöret tills en första tändning av motorn hörs (högst fem drag).



Ställ in chokespaken i "HALF"-läge.



Dra i startsnöret tills motorn startar.



Släpp upp reglagespärren och gasreglaget.



EurAsian överensstämmelsesymbol



Garanterad ljudnivå är 112 dB



Svärd- och kedjemörjningsmedel



Blyfri bensin och 2-taktsolja.



Körläge



Halvt chokeläge



Chokespaken i "FULL"-läge



Lås



Lås upp



Rotera för att ställa in kedjespänningen
+ = Spänna kedjan
- = Lossa kedjan



Kedjans riktning
(Märkt under locket)



Normalläge



Antifrysläge

T

Tomgånginställning

H

Justeringsnål för hög hastighet

L

Justeringsnål för låg hastighet

SYMBOLER I MANUALEN



Blanda bränslet utomhus där det inte finns några gnistor eller öppna lågor.



Rök inte när du blandar bränsle eller fyller på bränsletanken.



Delar och utrustning säljs separat

EN
FR
DE
ES
IT
NL
PT
DA
SV
FI
NO
RU
PL
CS
HU
RO
LV
LT
ET
HR
SL
SK
BG





Gamla elektroniska produkter ska inte kastas med hushållssoporna. Återvinn där sådana faciliteter finns.



Anmärkning



Varning!



Använd ögon- och ansiktsskydd.



Använd skydd för överkroppen.



Använd benskydd.



Stoppa produkten.



Lås filterskyddet.



Lås upp filterskyddet.

Följande signalord och betydelser är avsedda att beskriva risknivåer associerade med produkten:

⚠ FARA

Indikerar en överhängande farlig situation som kan, om den inte undviks, resultera i dödsfall eller allvarlig skada.

⚠ VARNING

Indikerar en potentiellt farlig situation som kan, om den inte undviks, resultera i dödsfall eller allvarlig skada.

⚠ PÅMINNELSE

Indikerar en potentiellt farlig situation som kan, om den inte undviks, resultera i mindre eller medelstora skador.

PÅMINNELSE

Utän säkerhetssymbol

Visar på en situation som kan orsaka skada på egendom.

Bensiinikäyttöinen moottorisaha suunnittelussa on pidetty etusijalla turvallisuutta, suorituskykyä ja luotettavuutta.

KÄYTTÖTARKOITUS

Tuote on tarkoitettu ainoastaan ulkokäyttöön hyvin tuuletetuilla alueilla. Turvallisuussyistä tuotteen on oltava asianmukaisesti hallinnassa ja käyttäjän on pideltävä sitä aina kaksin käsin.

Tuote on tarkoitettu oksien, puunrunkojen, tukkien ja paalujen, sahaamiseen, joiden halkaisija on terälevyn pituutta pienempi. Sillä saa sahata vain puuta. Sitä saa käyttää vain kotitalouskohteissa ja käyttäjän on oltava aikuinen, joka on saanut riittävän koulutuksen sen käytön aikaisista vaaroista ja varoistamista.

Älä käytä tuotetta mihinkään käyttötarkoitukseen, jota ei luotella yllä. Tämä tuote ei ole tarkoitettu ammattikäyttöön. Tuotetta eivät saa käyttää lapset tai henkilöt, joilla ei ole riittäviä henkilökohtaisia suojavarusteita ja -vaatetusta.

VAROITUS

Noudata turvallisuussääntöjä tuotetta käyttäessäsi. Sinun tulee oman ja sivullisten turvallisuuden vuoksi lukea ja ymmärtää nämä ohjeet täysin ennen tuotteen käyttöä. Osallistu ammattilaisesti järjestettyyn turvallisuuskurssiin moottorisahojen käytössä, varoimissa, ensiavussa ja huollossa. Säilytä ohjeet tulevaa käyttöä varten.

VAROITUS

Moottorisahat saattavat olla vaarallisia. Moottorisahan käyttöön liittyvät onnettomuudet johtavat usein raajan tai hengen menetykseen. Vaarana ei ole ainoastaan moottorisaha. Putoavat oksat, kaatuvat puut ja pyörivät tukit voivat myös olla hengenvaarallisia. Sairas tai lahonnut puu on myös vaarallinen. Arvioi kykysi suorittaa tehtävä turvallisesti. Jos epäilet kykyäsi, jätä työ ammattilaiselle "puukirurgille".

YLEISET TURVALLISUUSVAROITUKSET

- Joillain alueilla vallitsee säädöksiä, jotka rajoittavat tämän tuotteen käyttöä. Pyydä paikallisilta viranomaisilta neuvoa.
- Älä anna lasten tai käyttöohjeita tuntemattomien ihmisten käyttää tuotetta. Paikalliset säädökset saattavat asettaa rajoituksia käyttäjän iälle.
- Varmista aina ennen käyttöä, että kaikki hallinta- ja turvallisuuslaitteet toimivat asianmukaisesti. Älä käytä tuotetta, jos Off-kytkin ei sammuta moottoria.
- Älä koskaan käynnistä tai käytä moottoria suljetussa tai huonosti tuuletetussa tilassa; pakokaasuhen hengittäminen voi tappaa.
- Siivoa työalue ennen jokaista käyttökertaa; sotkuinen ja sekainen työalue aiheuttaa onnettomuuksia.
- Käytä täysiä suojalaseja ja kuulosuojaimia, kestäviä käsineitä, lipsumattomia suojajalkineita sekä kypärää käyttäessäsi tuotetta. Käytä suojaanamaria, jos työntekosi on pölyistä.
- Älä käytä löysiä vaatteita, shortseja tai minkäänlaisia

koruja.

- Sido pitkät hiukset hartioiden yläpuolelle, jotta ne eivät pääse tarttumaan liikkuviin osiin.
- Varo sinkoutuneita, lentäviä ja putoavia esineitä. Pidä kaikki sivulliset (erityisesti lapset ja lemmikit) vähintään 15 metrin päässä työalueesta.
- Älä koskaan käytä tuotetta räjähdys- tai paloalttiissa ympäristössä.
- Pitele molempia kädensijoja tukevasti tuotetta käyttäessäsi.
- Ole valpas, katso mitä teet ja käytä tervettä järkeä, kun käytät tuotetta. Älä käytä tätä tuotetta väsyneenä, sairaana tai huumeiden, alkoholin tai lääkkeiden vaikutuksen alaisena. Tarkkaamattomuus laitetta käytettäessä saattaa johtaa vakavaan loukkaantumiseen.
- Älä käytä tätä työkalua huonosti valaistussa paikassa. Käyttäjällä on oltava esteetön näkyvyys työalueelle, jotta hän näkee mahdolliset vaaratekijät.
- Kuulosuojaimet vaikeuttavat varoitusten kuulemistä (hälytyksiä ja huutoja). Käyttäjän on kiinnitettävä enemmän huomiota siihen, mitä työalueella tapahtuu.
- Samankaltaisten laitteiden käyttö lähetyvillä kasvattaa kuulovaurion riskiä sekä vaaraa, että joku muu tulee työalueellesi.
- Pidä vakaa tasapaino. Älä kurkota liian pitkälle. Liian pitkälle kurottelu voi aiheuttaa tasapainon menetyksen ja altistumisen kuumille pinnoille ja kasvattaa takapotkun vaaraa.
- Pidä kaikki ruumiinosat kaukana liikkuvista osista.
- Älä kosketa laitetta äänenvaimentimen tai moottorin läheltä, sillä nämä osat kuumenevat käytössä.
- Tarkasta laite aina ennen käyttöä. Tarkista kaikkien hallintalaitteiden, mukaan lukien teräketjujarrun, asianmukainen toiminta. Tarkista kiinnikkeiden kireys ja että kaikki suojukset ja kahvat on kiinnitetty tukevasti. Vaihda kaikki vioittuneet osat ennen käyttöä.
- Älä muunna laitetta millään tavoin tai käytä osia tai lisävarusteita, jotka eivät ole valmistajan suosittelemia.

VAROITUS

Jos tuote putoaa, saa kovan iskun tai alkaa tärinästä normaalia enemmän, sammuta se heti ja tarkista se vaurioiden varalta tai paikanna tärinän syy. Valtuutetun huoltopisteen on korjattava tai vaihdettava vioittuneet osat asianmukaisesti.

- When mixing fuel or filling fuel tank, do not smoke and keep 10 m away from any source of ignition.
- Sekoita ja säilytä polttoaine bensiinille hyväksytyssä säiliössä.
- Sekoita polttoaine ulkona paikassa, jossa ei ole kipinöitä eikä liekkiä. Pyyhi pois läikkyneet polttoaine. Siirry 10 metrin päähän täyttöpaikasta ennen moottorin käynnistämistä.
- Sammuta moottori ja anna sen jäähtyä ennen laitteen tankkausta, varastointia ja kuljetusta.
- Muista sulkea kaikki polttoainesäiliön korkit täytenä tai

EN
FR
DE
ES
IT
NL
PT
DA
SV
FI
NO
RU
PL
CS
HU
RO
LV
LT
ET
HR
SL
SK
BG

sekoittamisen jälkeen.

MOOTTORISAHAN TURVALLISUUSVAROITUKSET

- Aseta aina terälevyn suojus paikoilleen, kun tuote ei ole käytössä tai kun sitä kannetaan tai siirretään. Tämä pienentää vaaraa joutua kosketuksiin ketjun terävien terien kanssa. Kanna tuotetta yläkavasta siten, että terälevy osoittaa pois päin vartalostasi.
- Totuttele käyttämään uutta moottorisahaa sahaamalla yksinkertaisia leikkauksia tukevasti tuettuun puuhun. Tee näin aina kun et ole käyttänyt sahaa pitempään aikaan.
- Leikkaa tukit sahapukilla tai telineessä, kun tuotetta käytetään ensimmäistä kertaa.
- Varmista, että kaikki suojukset, kahvat ja piikillinen puskurit ovat kunnolla paikoillaan ja hyvässä kunnossa.
- Tuotteen käyttäjän terveyden on oltava hyvä. Tuote on painava, joten käyttäjän tulee olla hyväkuntoinen. Käyttäjän on oltava valpas ja hänen näkönsä, liikkuvuutensa, tasapainonsa ja ketteryytensä hyviä. Jos epäilet asiaa, älä käytä tuotetta.
- Älä seiso millään epävakaalla pinnalla tuotetta käyttäessäsi. Tämä voi kattaa mm. tikkaat, rakennustelineet ja puut. Pidä molemmat kädet aina tuotteen kahvoilla.
- Älä aloita tuotteen käyttöä, ennen kuin sinulla on esteetön työalue, vakaa jalansija ja suunniteltu poistumisreitti kaatuvan puun tieltä.
- Ole äärimmäisen varovainen, kun leikkaat pientä pensaikkoa tai nuoria puita, koska ohuet rungot voivat ottaa kiinni teräketjuun ja lentää käyttäjää kohti tai saada käyttäjän menettämään tasapainonsa.
- Kun leikkaat oksaa, joka on jännityksen alainen, ole varovainen, ettei se iske sinua, kun puukuitujen jännite vapautetaan.
- Varo pakokaasuja, öljyhöyryjä ja sahajauhupölyä. Käytä tarvittaessa maskia tai hengityslaitetta.
- Älä sahaa köynnöksiä ja/tai pientä alakasvillisuutta (halkaisijaltaan alle 75 mm).
- Pitele moottorisahaa aina kaksin käsin sitä käyttäessäsi. Ota teräketjun kahvoista kiinni lujalla otteella peukalot ja sormet kahvojen ympärillä. Pidä oikealla kädellä kiinni takakädensijasta ja vasemmalla kädellä etukädensijasta.
- Ennen kuin käynnistät moottorin, varmista, että teräketju ei kosketa mitään esinettä. Käynnistä tuote aina ketjujarru päällä (työnnettynä täysin eteen).
- Älä muuntele tuotetta millään tavoin tai käytä sitä minkään lisävarusteen tai laitteen virtalähteenä, jos valmistaja ei suosittele sitä tuotteellesi.
- Käyttäjän lähellä on oltava ensiapupakkaus, jossa on suuria haavasiteitä ja keino kutsua apua (esim. pilli). Suurempi ja täydellisempi pakkaus on oltava suhteellisen lähellä.
- Käyttäjää voi houkuttaa ottaa kypärä pois, jos työalueella ei ole putoavien esineiden vaaraa, mutta pidä mielessä, että kypärä ja erityisesti verkkosuojus voi auttaa pienentämään kasvojen ja pään vammaa, jos tapahtuu takapotku.

- Väärin kiristetty ketju voi hypätä pois terälevyltä ja aiheuttaa vakavan vamman tai kuoleman. Ketjun pituus riippuu ketjun lämpötilasta ja kulumisesta. Tarkista kireys säännöllisesti.
- Pidä kädensijat kuivina ja puhtaina liasta, öljystä ja rasvasta. Rasvaiset ja öljyiset kahvat ovat liukkaat ja aiheuttavat hallinnan menettämisen.
- Jotta liikkuvien osien koskettamisesta aiheutuvan loukkaantumisen vaara olisi pienempi, pysäytä aina moottori, kytke ketjujarru päälle, irrota sytytystulpan kaapeli ja varmista, että kaikki liikkuvat osat ovat pysähtyneet, ennen kuin teet seuraavia:
 - ennen tukoksen poistamista
 - tuotteen jättäminen valvomatta
 - asennat tai irrotat lisävarusteita
 - tuotteen tarkastusta, ylläpitoa ja huoltoa
- Työalueen koko riippuu suoritettavasta työstä sekä kysymyksessä olevan puun tai leikkauskohteen koosta. Esimerkiksi puun kaataminen vaatii laajemman työalueen kuin muiden leikkausten tekeminen – esim. karsinta. Käyttäjän on oltava tietoinen kaikesta työalueella tapahtuvasta ja pystyttävä hallitsemaan sitä.
- Älä sahaa siten, että vartalosi olisi samassa linjassa terälevyn ja ketjun kanssa. Jos moottorisaha potkaisee takaisin, tällainen asento auttaa estämään ketjuun osumasta päähäsi tai vartalosi.
- Älä liikuta tuotetta edestakaisin; anna ketjun tehdä työ. Pidä ketju terävänä äläkä yritä työntää sitä leikkukohtaan läpi.
- Älä paina sahaa sahausken lopussa. Ole valmis kannattamaan sahan painon sen leikkautuessa puun läpi. Muutoin seurauksena voi olla vakava loukkaantuminen.
- Älä pysäytä sahaa keskellä leikkausta. Pidä saha käynnissä, kunnes se on irti leikkauksesta.

Henkilöstön suojaimet

Laadukkaat ammattilaisten käyttämät henkilösuojat auttavat pienentämään käyttäjän loukkaantumisriskiä. Moottorisahaa käytettäessä on käytettävä seuraavia varusteita:

Suojakypärä

- sen tulee noudattaa EN 397 -standardia ja olla CE-merkitty

Kuulosuojaimet

- sen tulee noudattaa EN 352-1 standardia ja olla CE-merkitty

Suojalasit ja kasvosuojus

- niiden tulee olla CE-merkittyjä ja noudattaa EN 166 -standardia (suojalasit) ja EN 1731 -standardia (verkkovisiiri)

Käsineet

- sen tulee noudattaa EN 397 -standardia ja olla CE-merkitty

Jalkasuojat

- niiden tulee noudattaa EN381-5-standardia, olla CE-merkittyjä ja suojata kaikilta suunnilta.

Moottorisahan suojajalkineet

- niiden tulee noudattaa EN ISO 20345:2004 -standardia, ja niissä tulee olla moottorisahaan kuvaava kilpi todisteena EN 381-3 -standardin noudattamisesta. (Joskus käyttäjät voivat käyttää teräskärkisiä suojaajalkineita ja säärystimiä, jotka noudattavat EN 381-9 -standardia, jos maa on tasaista ja kaatumisen ja alakasvullisuuteen takertumisen vaara on hyvin pieni)

Moottorisahatakki suojaamaan ylävartaloa

- sen tulee noudattaa EN 381-11 standardia ja olla CE-merkitty

KOKOONPANO

VAROITUS

Jos osia puuttuu, älä käytä työkalua ennen, kuin olet hankkinut puuttuvan osan. Muutoin seurauksena voi olla vakava loukkaantuminen.

TERÄKETJUN JA TERÄLEVYN KOKOAMINEN

Katso sivu 273, Kuva 5 - 8.

1. Pysäytä tuote. Käytä suojaajakäsineitä.
2. Vapauta ketjujarru.
3. Avaa terälevyn lukitusnappi ja irrota vetopyörän suoja.
4. Kiinnitä terälevy ja ketjun kiristyskokoontalo moottorisahaan. Laseke terälevyä siten, että pulitti kulkee terälevyn ja ketjun kiristyskokoontalon reiän läpi.
5. Teräketjun tulee osoittaa sen pyörimissuuntaan. Jos ne ovat taaksepäin, käännä silmukka toisinpäin.
6. Aseta silmukka vetopyörän ympärille. Aseta ketjun vetolenkit terälevyn uraan. Voit tarvittaessa kääntää tätä kokoontaloa uudelleen kiristäaksesi ketjua, mikä auttaa pitämään sen paikoillaan.
7. Asenna vetopyörän suoja.
8. Säädä ketjun kireys. Viittaa kohtaan Ketjun kireyden säätäminen.

KETJUN JÄNNITTEEN SÄÄTÖ

Katso sivu 286.

1. Löysennä terälevyn lukitusnappia hieman kiertämällä sitä vastapäivään.
2. Jos haluat kiristää ketjua, käännä ketjunkiristimen säätönappia myötäpäivään; tarkista ketjun kireys säännöllisesti. Jos haluat löysentää ketjua, käännä ketjunkiristimen säätönappia vastapäivään ja tarkista ketjun kireys säännöllisesti.
3. Ketjun kireys on oikea, kun ketjun ja terälevyn välinen rako on 3–4 mm. Vedä ketjua alapuolen keskikohdasta (poispäin terälevystä) ja mitata terälevyn ja ketjun välinen rako.
4. Kiristä terälevyn lukitusnappia kiertämällä sitä myötäpäivään.

HUOMAUTUS: Ketju kuumenee normaalikäytössä, saaden ketjun venymään. Tarkista ketjun jännite usein ja säädä jännite tarvittaessa. Lämpimänä säädetty ketju voi olla liian tiukka jäähtyneenä. Varmista, että ketjun kireys on säädetty ohjeiden mukaisesti.

TUOTTEEN KÄYTTÖ

POLTTOAINE JA POLTTOAINEEN LISÄÄMINEN

Polttoaineen turvallinen käsittely

VAROITUS

Sammuta moottori aina ennen tankkausta. Älä koskaan lisää polttoainetta koneeseen, kun moottori on käynnissä tai kuuma. Siirry vähintään 10 m päähän polttoaineen lisäyspaikasta ennen kuin käynnistät moottorin. Älä tupakoi! Tämän varoituksen laiminlyöminen voi aiheuttaa mahdollisen henkilövamman.

VAROITUS

Tarkista, ettei sahassa ole polttoainevuotoja. Jos on, korjaa ne ennen tuotteen käyttöä, jotta vältyt tulipalon ja palovammojen vaaralta.

- Käsittele polttoainetta aina varoen; sen syttyä erittäin helposti.
- Täytä polttoainesäiliö aina ulkona kaukana mahdollisista syttymisaihteista äläkä hengitä polttoainehuujuja.
- Älä anna bensiiniin tai öljyn päästä ihon kanssa kosketuksiin. Jos joudut kosketuksiin sen kanssa, pese kaikki altistuneet alueet välittömästi runsaalla vedellä ja saippualla.
- Pidä bensiini ja öljy poissa silmistä. Jos bensiiniä tai öljyä pääsee silmiin, pese heti puhtaalla vedellä. Jos ärsytystä jatkuu, käänny välittömästi lääkärin puoleen.

Polttoaineen sekoittaminen

- Työkalu toimii 2-tahtimoottorilla, jota on käytettävä bensiiniin ja synteettisen 2-tahtiöljyn sekoitteella. Sekoita liijytön bensiini ja 2-tahtimoottorin öljy puhtaassa bensiinille hyväksytyssä astiassa.
- Tämä moottori on sertifioitu toimimaan liijyttömällä bensiinillä, joka on tarkoitettu autojen käyttöön ja jonka oktaaniarvo on 91 ((R + M)/2) tai korkeampi.
- Älä käytä minkäänlaista esisekoitettua bensiiniä/öljyä huoltoasemilta. Mukaan lukien esisekoitettu bensiini/öljy esim. mopedeja ja moottoripyöriä varten.
- Käytä korkealaatuista, itse sekoitettavaa 2-tahtiöljyä ilmajähdytteisille moottoreille. Älä käytä auton voiteluainetta tai perämoottorin 2-tahtiöljyä.
- Sekoita 2 % öljyä bensiiniin. Tämä on suhteessa 50:1.
- Sekoita polttoaine hyvin ja joka kerta ennen sitä lisättäessä.
- Sekoita pienissä erissä. Älä sekoita suurempia määriä kuin mitä voit käyttää 30 päivän aikana. Suositellaan 2-tahtimoottorin voiteluainetta, joka sisältää polttoaineen stabiloimisainetta.

HUOMAUTUS: Takuu ei korvaa polttoainejärjestelmän vauriota tai suorituskyvyn ongelmia, jotka ovat seurauksena sellaisen happarikastetun polttoaineen käytöstä, joka sisältää suurempia oksygenaattipitoisuuksia kuin mitä edellä on esitetty.

Polttoainesäiliön täyttäminen

Katso sivu 273.

- Puhdista polttoainesäiliön tulpan ympärillä oleva pinta saastumisen estämiseksi.
- Löysennä polttoainesäiliön tulppaa hitaasti.
- Kaada polttoaineseosta varovasti säiliöön. Vältä läikyttämistä.
- Ennen polttoainesäiliön tulpan asettamista takaisin paikoilleen, puhdista ja tarkasta tiivisterengas.
- Kierrä polttoainesäiliön tulppa heti takaisin paikoilleen ja kiristä käsin. Pyyhi pois läikkyneet polttoaineet.

HUOMAUTUS: On normaalia, että moottori savua aikana ja sen jälkeen ensimmäistä käyttöö.

KETJUN VOITELUÖLJYN LISÄÄMINEN

Katso sivu 273.

VAROITUS

Älä koskaan työskentele ilman voiteluöljyä. Jos sahan teräketjua käytetään ilman voiteluainetta, terälevy ja teräketju voivat vioittua. Näin ollen on tärkeää tarkistaa öljyn määrä mitta-asteikosta säännöllisesti aina ennen moottorisahan käyttöä.

1. Puhdista öljysäiliön korkin ympäristö, jotta se ei likaannu.
2. Ruuvaa öljysäiliön tulppa auki.
3. Kaada öljysäiliöön öljyä ja pidä silmällä säiliön öljytason mitta. Kun täytät öljyä, pidä huoli että säiliöön ei pääse likaa.
4. Aseta öljysäiliön tulppa paikoilleen ja kiristä se. Pyyhi läikkyneet öljy pois.
5. Täydellä öljysäiliöllä voidaan sahata 20 – 40 minuuttia.

HUOMAUTUS: Asianmukaisesti toimiva ketjun ja terälevyn voitelujärjestelmä vapauttaa normaalisti öljyä ketjun kautta käytön aikana. Tarkista ketjun ja terälevyn voitelujärjestelmän toiminta osoittamalla ketjun kärki vaaleaa pintaa, kuten sanomalehteä, kohden. Hetken kuluttua pinnassa tulisi näkyä öljyräiskeitä.

Suosittelu teräketjuöljy

- Valmistaja suosittelee käyttämään ainoastaan Ryobin moottorisahan voiteluöljyä. (Saatavilla valtuutetusta huollosta)

TUOTTEEN KÄYNNISTÄMINEN

Käynnistystapa riippuu siitä, onko moottori kylmä vai kuuma.

VAROITUS

Pidä ruumiisi ketjulinjan vasemmalla puolella. Älä koskaan seiso hajareisin sahan tai ketjun päällä tai kurkota ketjulinjan yli.

- Aseta tuote tasaiselle alustalle ja tarkista, että sen välittömässä läheisyydessä ei ole mitään esineitä tai esteitä, jotka voisivat osua terälevyyn tai ketjuun.
- Pidä etukahvasta lujasti kiinni vasemmalla kädellä ja

asetta oikea jalkasi takakahvan alustan päälle.

HUOMAUTUS: Seuraavissa käynnistysohjeissa, kun rikastinvipu vedetään koko matkan ulos START-asentoon, kaasutiin on valmis käynnistykseen. Voit palauttaa kaasutiimen RUN-asentoon puristamalla kaasutinliipaisinta ja vapauttamalla sen.

Kylmän moottorin käynnistäminen:

Katso sivut 272 - 273.

1. Käännä sytytyskytkin ON-asentoon.
2. Varmista, että ketjun jarru on BRAKE-asennossa, työntämällä vipua/käsisuojaa eteenpäin.
3. Paina täysin alas ja vapauta RYYPYTINNUPPI 10 kertaa.
4. Vedä ryyppy täysin pois START-asennosta.
5. Kun lämpötila 10°C:n yläpuolella, vedä käynnistyskahvasta, kunnes moottori on valmis käynnistymään, älä kuitenkaan vedä yli kolmea kertaa. Kun lämpötila on 10 °C:n alapuolella, vedä käynnistyskahvasta, kunnes moottori on valmis käynnistymään, älä kuitenkaan vedä yli viittä kertaa.
6. Työnnä rikastinvipu puoliksi päälle. Nykäise käynnistimen kahvasta siten, että moottori käynnistyy.
7. Paina liipaisimen vapautinta ja purista kaasutinliipaisinta ja vapauta sitten kaasutinliipaisin palauttaaksesi moottorin tyhjäkäynnille.
8. Anna tuotteen käydä tyhjäkäynnillä 15 - 30 sekuntia.
9. Ennen kuin kiihdytät moottoria tai leikkaat puuta, varmista että ketjujarru on käyttöasennossa vetämällä jarruvipua/kädensuojasta taaksepäin.

HUOMAUTUS

Osittain auki olevan kaasuvivun vapauttaminen, kun ketjujarruvipu on jarrutusasennossa, aiheuttaa vakavan vaurion laitteelle. Älä koskaan purista ja pidä kaasuvipua paikoillaan, kun ketjujarru on jarrutusasennossa.

Lämpimän moottorin käynnistäminen:

Katso sivu 281.

1. Käännä sytytyskytkin ON-asentoon.
2. Varmista, että ketjun jarru on BRAKE-asennossa, työntämällä vipua/käsisuojaa eteenpäin.
3. Paina pumpauspalloa 10 kertaa.
4. Vedä rikastinvipu täysin ulos START-asentoon ja paina se sitten takaisin RUN-asentoon.
5. Vedä käynnistintä, kunnes moottori käynnistyy, mutta enintään 5 kertaa. Paina liipaisimen vapautinta ja purista kaasutinliipaisinta ja vapauta sitten kaasutinliipaisin palauttaaksesi moottorin tyhjäkäynnille. Jos moottori ei käynnisty 5 nykäisyllä, käytä kylmän moottorin käynnistysmenettelyä.
6. Ennen kuin kiihdytät moottoria tai leikkaat puuta, varmista että ketjujarru on käyttöasennossa vetämällä jarruvipua/kädensuojasta taaksepäin.

KÄYTTÖILOJEN VAIHTAMINEN

Katso sivu 287.

Tuotteessa on jäänestotila, joka estää jään muodostumisen kaasutiimen sisään käytön aikana lämpötilan ollessa $\leq 5^{\circ}\text{C}$. Ilmanpuhdistimen suojuksen oikealle puolella oleva

tuuletusluukku voidaan suunnata siten, että lämmin ilma puhaltuu moottoriin ja estää jään muodostumisen kaasuttimen sisälle.

VAROITUS

Jos normaalitilasta ei siirrytä jäänestotilaan lämpötilan ollessa ≤ 5 °C, moottorin teho heikkenee tai moottori rikkoutuu.

Muista aina palauttaa tuote normaalitilaan, kun ei ole vaaraa, että kaasuttimen sisään muodostuu jäätä. Jos jäänestotilasta ei siirrytä takaisin normaalitilaan normaalilämpötilassa, moottori saattaa vioittua.

MOOTTORIN PYSÄYTTÄMINEN

Vapauta kaasuliipaisin, ja anna moottorin palata tyhjäkäyntiin. Pysäytä moottori siirtämällä virtalukko "O"-pysäytysasentoon. Älä aseta moottorisahaa maahan, jos ketju vielä pyörii. Lisäturvallisuuden vuoksi aseta ketjujarru päälle, kun saha ei ole käytössä.

Jos virtalukko ei pysäytä sahaa, vedä rikastinvipu täysin ulos (rikastin täysin auki) ja kytke ketjujarru päälle moottorin pysäyttämiseksi. Jos virtalukko ei pysäytä sahaa, kun lukko on asetettu "O"-pysäytysasentoon, korjauta virtalukko ennen kuin käytät sahaa uudelleen välttääksesi vaaralliset tilanteet tai vakavat tapaturmat.

HUOMAUTUS: Kun lopetat tuotteen käytön, vapauta aina säiliön paine löysentämällä ketjun voiteluaineen ja polttoainesäiliön tulppia. Anna moottorin jäähtyä ennen sen asettamista säilytystilaan.

TUOTTEEN PITELEMINEN

Katso sivu 273.

Pidä aina oikealla kädellä kiinni takakädensijasta ja vasemmalla kädellä etukädensijasta. Pidä kiinni molemmista kädensijoista siten, että sormet kietoutuvat niiden ympärille. Varmista, että pidät vasenta kättä siten, että peukalo on etukädensijan alapuolella.

KETJUN JARRUN TARKISTAMINEN JA KÄYTTÖ

1. Kytke ketjujarru päälle kiertämällä vasenta kättä etukahvan ympärillä. Työnnä käden takapuolella ketjujarrun vipua/käsisuojaa tankoa kohden ketjun pyöriessä nopeasti. Muista pitää molemmat kädet tuotteen kahvoilla kaiken aikaa.
2. Palauta ketjujarru käyttöasentoon ottamalla kiinni ketjujarrun vivun/käsisuojan yläosasta ja vetämällä sitä etukahvaa kohden, kunnes kuulet napsahduksen.

VAROITUS

Jos ketjujarru ei pysäytä teräketjua välittömästi tai jos siitä on pidettävä kiinni käytön aikana, ettei se pääsisi vapautumaan, vie moottorisaha korjattavaksi valtuutettuun korjaamoon ennen, kuin käytät sitä uudelleen.

VAROITUS

Kun kaasuliipaisin vapautetaan ja moottori käy tyhjäkäynnillä, sahan ketjun ei saa liikkua. Jos se liikkuu yhä, se voi aiheuttaa käyttäjän loukkaantumisen. Älä käytä tätä tuotetta vaan palauta se valtuutettuun huoltoon ammattilaisen säädettäväksi.

KYTKIMEN TARKISTAMINEN

1. Vapauta ketjujarru vetämällä ketjujarruvipu/käsisuojaa etukahvaa kohden siten, että se napsahtaa.
2. Anna moottorin käydä tyhjäkäynnillä. Varmista, että sahaketju ei pyöri. Jos sahan ketju liikkuu tyhjäkäyntinopeudella, kaasutin voi tarvita säätöä. Älä käytä laitetta. Palauta se valtuutettuun huoltoon ammattilaisen säädettäväksi.
3. Paina kaasutiniipaisin puoliväliin ja käytä tuotetta keskinopeudella. Sahan ketjun tulisi pyöriä tasaisesti, jos kytkin on hyvässä kunnossa.

Takapotkun syyt ja sen esto:

Takapotku voi ilmaantua, kun terälevyn pää tai kärki koskettaa esinettä tai kun ketju tarttuu ja puristuu puun leikkauskohtaan.

Joissakin tapauksissa kärkikosketus saattaa aiheuttaa äkillisen vastakkaisen reaktion ja potkaista terälevyn ylös ja taakse kohti käyttäjää.

Teräketjun joutuminen puristuksiin saattaa heittää terälevyn käyttäjää kohden.

Kumpi tahansa näistä reaktioista saattaa aiheuttaa laitteen hallinnan menetyksen, mikä voi aiheuttaa vakavan loukkaantumisen. Älä luota yksinomaan sahaan rakennettuihin turvalaitteisiin. Moottorisahan käyttäjänä sinun on tehtävä useita varotoimia, jotta sahaustöissä ei tapahtuisi onnettomuuksia tai vammautumisia.

Takapotku johtuu työkalun vääristä käytöstä ja/tai vääristä toimenpiteistä tai tilanteista, jotka voidaan välttää alla olevia asianmukaisia varotoimenpiteitä noudattaen:

- **Pitele moottorisahaa tukevasti kahvoista siten, että peukalot ja sormet ympäröivät kahvat molempien käsien pidellessä sahaa. Aseta varталosi ja kätesi siten, että voit vastustaa takapotkun voimaa.** Käyttäjä pystyy hallitsemaan takapotkun voiman, jos hän ryhtyy asianmukaisiin varotoimiin. Älä päästä otettasi irti moottorisahasta.
- **Älä kurkota liian kauaksi äläkä sahaa harteita korkeammalla.** Tämä auttaa tahattoman kärkikosketuksen estämisessä ja mahdollistaa moottorisahan paremman hallinnan odottamattomissa tilanteissa.
- **Käytä ainoastaan valmistajan suosittelemia terälevyjä ja ketjuja.** Epäasianmukaiset terälevyt ja ketjut voivat saada ketjun katkeamaan ja/tai sahan iskemään takaisin.
- **Noudata sahan ketjun valmistajan antamia huolto-ohjeita.** Syyvyyttulkkin korkeuden pienentäminen voi aiheuttaa voimakkaamman takapotkun.

TYÖNTÖ JA VETO

Katso sivu 279.

EN
FR
DE
ES
IT
NL
PT
DA
SV
FI
NO
RU
PL
CS
HU
RO
LV
LT
ET
HR
SL
SK
BG

Reaktiovoima on aina ketjun liikkumissuunnan päinvastainen voima. Käyttäjän on näin ollen oltava valmis hallitsemaan laitteen taipumusta vetäytyä pois (liike eteenpäin) leikattaessa terälevyn alareunalla ja työntää taaksepäin (käyttäjää khden) leikattaessa yläreunalla.

LEIKKAUKSEEN JUMITTUNUT SAHA

Sammuta moottorisaha ja tee se turvallisiksi. Älä yritä pakottaa ketjua ja teräleVY4 ulos leikkauksesta, sillä tämä saattaisi rikkoa ketjun, joka voi sitten sinkoutua taaksepäin ja osia käyttäjään. Näin tapahtuu tavallisesti sen takia, että puu on tuettu virheellisesti ja pakottaa leikkauksen sulkeutumaan, jättäen terän puristuksiin. Jos tuen säätäminen ei vapauta terälevyä ja ketjua, käytä puukiloja tai vipua avatakseksi leikkauksen ja vapauttaaksesi tuotteen. Älä koskaan yritä käynnistää moottorisahaa, jos terälevy on leikkauksessa tai uurroksessa.

OHJEET PUUN KAADON, KARSINAN JA PILKOMISEN OIKEISTA TEKNIKOISTA

Puun voimien ymmärtäminen

Kun ymmärrät puun sisällä vallitsevat suunnatut paineet ja voimat, voit vähentää "puristumisia" tai vähintäänkin ennakoita ne sahatessasi. Puun jännite merkitsee sitä, että kuituja vedetään erilleen, ja jos sahaat tällaista aluetta, uurre tai leikkaus avautuu sahan mennessä puun läpi. Jos tukkia kannatellaan sahapukissa ja sen pääty riippuu tukematta päädyistä, yläpintaan syntyy jännitystä sen takia, että riippuva tukki venyttää kuituja. Vastaavasti, tukin alapinta puristuu kokoon ja kuituja työnnetään yhteen. Jos tätä aluetta sahataan, uurre pyrkii sulkeutumaan sahauskes aikana. Tällöin terä jää puristuksiin.

Puun kaataminen

Katso sivu 277 - 278.

Karsiminen ja kaataminen suoritetaan kahden tai useamman henkilön toimesta, mutta kaataminen erottuu karsimisesta sikäli, että etäisyyden tulee olla vähintään kaksi kertaa niin suuri kuin kaadettavan puun korkeus. Puita ei tule kaataa siten, että ihmiset ovat vaarassa tai että ne voivat osua sähkölinjaan tai aiheuttaa omaisuusvahinkoja. Mikäli puu on kosketuksissa sähkölinjaan, sähkölaitokselle tulee ilmoittaa siitä välittömästi.

Moottorisahan käyttäjän tulisi olla maastossa ylämäen puolella, koska puu todennäköisesti pyörii tai liukuu mäkeä alas kaaduttuaan.

Pakoreitti tulee suunnitella ja tarvittaessa raivata ennen sahaamisen aloittamista. Perääntymisreitin tulee ulottautua viistosti suunnitellun kaatumislinjan taakse.

Ota huomioon ennen kaatamisen aloittamista puun luonnollinen kallistuma, suurempien oksien sijainti ja tuulen suunta arvioidaksesi mihin suuntaan puu kaatuu.

Irrota puusta muta, kivet, irrallinen kaarna, naulat, niitit ja rautalangat.

Älä yritä kaataa lahoja tai tuulen, tulen, salaman tms. vahingoittamia puita. Se on erittäin vaarallista, ja ainoastaan ammattillisten puukirurgien tulisi suorittaa tällaiset toimet.

■ Alasahaus

Katso sivu 277 - 278.

Leikkaa puuhun noin 1/3 paksuinen lovi suorassa kulmassa kaatumissuuntaan nähden. Sahaa ensin

alempi, vaakasuora lovi. Näin ketju ei jää puristuksiin, kun teet toisen loven.

■ Kaatosahaus

Katso sivu 277 - 278.

Tee kaatoleikkaus vähintään 50 mm/2 tuumaa korkeammalle kuin kaatolovi. Pidä kaatosahaus samansuuntaisena vaakasuoran, alemman loven kanssa. Tee kaatosahaus siten, että puuta jää jäljelle, jotta se toimisi saranana. Pitopuu estää puun kääntymisen ja kaatumisen vääriin suuntaan. Älä sahaa saranan läpi.

Kaatosahauksen lähestyessä saranaa puun pitäisi ruvetta kaatumaan. Jos on mahdollisuus, ettei puu ehkä kaadukaan haluttuun suuntaan tai että se kallistuu takaisin puristaen moottorisahaa, lopeta sahaaminen ennen kuin kaatosahaus on suoritettu loppuun ja käytä puista, muovista tai aluminista kiliaa avatakseksi loven ja kaataaksesi puun halutun kaatolinjan mukaisesti.

Kun puu alkaa kaataa, poista moottorisaha lovesta, pysäytä moottori, aseta moottorisaha maahan ja käytä suunniteltua perääntymisreittiä. Varo, ettei päällesi puota oksia, ja katso minne astut.

Ulkonevien juurien poistaminen

Katso sivu 278.

Ulkoneva juuri on suuri rungosta maan päälle ulottuva juuri. Poista isot ulkonevat juuret ennen puun kaatamista. Tee ensin vaakasuuntainen leikkaus ulkonevaan juureen, ja sen jälkeen pystysuuntainen leikkaus. Poista tästä lähtevä irrallinen osa työskentelyalueelta. Kun olet poistanut isot ulkonevat juuret, jatka puun kaatamistoimia oikeaa tekniikkaa noudattamalla.

Tukin apteeraus

Katso sivu 279.

Apteeraus tarkoittaa rungon leikkaamista paloiksi. On tärkeää, että seisot tukevasti ja että painosi jakautuu tasaisesti molemmille jaloille. Mikäli mahdollista, runko tulee nostaa ja se tulee tukea oksien, pölkkyjen tai pönkkien varaan. Noudata näitä yksinkertaisia ja helppoja leikkausohjeita: Jos tukki on tuettu koko matkalta, se leikataan yläpuolelta.

Kun runko on tuettu toisesta päästä, sahataan halkaisijasta 1/3 alapuolelta (runгон ali). Sahaa sitten loput ylhäältä, jotta yhtyisit ensimmäisen sahauskes.

Kun runkoa tuetaan molemmista päistä, sahataan halkaisijasta 1/3 yläpuolelta. Leikkaa sitten alapuolelta 2/3 siten, että leikkaus kohtaa ensimmäisen loven.

Kun pilkot rinteessä, seisoo aina tukkiin nähden ylärinteessä. Kun leikkaat tukkia poikki, lakkaa painamasta sahaa lähellä leikkauksen loppua ilman, että hellitit otettasi moottorisahan kädensijoista, jotta saha pysyisi hallinnassa. Alla anna ketjun koskettaa maata. Kun leikkaus on valmis, anna ketjun pysähtyä ennen kuin liikutat sahaa. Pysäytä moottori aina ennen kuin liikut puun luota toiselle.

Puun karsiminen

Katso sivu 280.

Oksimisella tarkoitetaan oksien poistamista kaatuneesta puusta. Jätä oksissa suuremmat, alempana sijaitsevat oksat tukemaan maassa olevaa runkoa. Poista pienet oksat

yhdellä sahauskella. Jännitetyt oksat tulee leikata alhaalta latvaan päin moottorisahan puristumisen välttämiseksi.

Tukkirakennelmien sahaaminen

Katso sivu 280.

Jousiriuku on mikä tahansa tukki, oksa, juurellinen kanto tai nuori puu, joka on taipunut toisen puun alle ja joka ponnahtaa ylös, jos sitä painava puu katkaistaan ja poistetaan.

Kaatunessa puussa juurellinen kanto voi mahdollisesti ponnahtaa ylös pystyasentoon katkaisun aikana, jolloin tukkiäsa erooa kannosta. Varo jousiriukuja; ne ovat vaarallisia. Älä yritä leikata taipuneita oksia tai jännityksessä olevia kantoja, ellei sinulla ole siihen ammattikoulutusta ja pätevyyttä.

KULJETUS JA VARASTOITAESSA

- Sammuta moottori, kytket ketjujarru päälle, irrota sytytystulpan kaapeli sytytystulpasta ja anna tuotteen jäähtyä ennen varastointia tai kuljetusta.
- Puhdista laitteesta kaikki vieraat materiaalit.
- Tyhjennä kaikki polttoaine säiliöstä bensiiniä varten hyväksytyyn astiaan. Muista sulkea ja kiristää polttoainesäiliön tulppa.
- Anna moottorin käydä, kunnes se pysähtyy. Tämä poistaa kaiken polttoaineseoksen, joka voi vanhentua ja jättää lakkaa ja hartisia polttoainejärjestelmään.
- Tyhjennä kaikki terä- ja ketjuöljy säiliöstä öljylle hyväksytyyn säiliöön. Muista sulkea ja kiristää ketjun voiteluainesäiliön tulppa.
- Aseta terälevyn suojus paikoilleen aina ennen tuotteen varastointia ja kuljetusta.
- Varastoi laite viileään, kuivaan ja hyvin tuuletettuun paikkaan, jossa lapset eivät pääse siihen käsiksi. Pidä poissa syövyttäviltä aineilta kuten puutarhakemikaaleilta ja jäänsulatussuolalta. Älä säilytä ulkona.
- Kun kannat tuotetta lyhyen matkan (työalueelta toiselle), kytket aina ketjujarru päälle, jotta sahan ketju ei pääse liikkumaan.
- Kiinnitä tuote kuljetettaessa siten, että se ei pääse liikkumaan tai kaatumaan, jotta vältytään loukkaantumisilta ja vaurioilta.
- Älä koskaan kannaa tai kuljeta tuotetta sen ollessa käynnissä.

Noudata kaikkia kansallisia ja paikallisia bensiinin turvallista säilytystä ja käsittelyä koskevia määräyksiä. Ylimääräinen polttoaine sopii käytettäväksi muissa 2-tahtimoottorilaitteissa.

HUOLTO

Pidä tuote aina hyvässä kunnossa.

VAROITUS

Käytä ainoastaan alkuperäisiä valmistajan tuottamia varaosia, lisälaitteita ja lisävarusteita. Tämän noudattamatta jättäminen voi johtaa loukkaantumiseen ja huonoon tulokseen ja voi mitätöidä takuun.

VAROITUS

Huolto kaipaa suurta huolellisuutta ja hyvää työkalun tuntemusta: Se on annettava pätevän teknikon tehtäväksi. Jos laite tarvitsee huoltoa, vie sen lähimpään valtuutettuun huoltoon. Käytä vaihdossa yksinomaan alkuperäisiä varaosia.

VAROITUS

Ennen kuin tarkistat, puhdistat tai huollat tuotteen, sammuta moottori, kytket ketjujarru päälle ja irrota sytytystulpan kaapeli sytytystulpasta. Näiden ohjeiden laiminlyönti voi aiheuttaa vakavia vammoja ja suuria materiaalisia vahinkoja.

- Voit tehdä tässä käyttöoppaassa kuvattuja säätöjä ja korjauksia. Jos laite vaatii muuta huoltoa, ota yhteys valtuutettuun huoltopisteeseen.
- Virheellinen huolto voi aiheuttaa sen, että ketjujarru ja muut turvallisuusominaisuudet eivät toimi asianmukaisesti, mikä kasvattaa vakavan loukkaantumisen vaaraa. Pidä moottorisahasi ammattimaisesti huollettuna ja turvallisenä.
- Ketjun teroittaminen turvallisesti vaatii taitoa. Tästä syystä valmistaja suosittelee, että kulunut tai tylsä ketju vaihdetaan uuteen; uuden ketjun voi hankkia valtuutetusta Ryobi-huollosta. Osanumero ilmoitetaan tuotteen teknisten tietojen taulukossa tässä käsikirjassa.
- Noudata ohjeita voitelusta ja ketjun kireyden tarkistamisesta ja säädöstä.
- Puhdista tuote aina käytön jälkeen pehmeällä ja kuivalla liinalla.
- Varmista aina, että ruuvit ja mutterit ovat tiukasti kiinni, jotta tuote olisi aina turvallinen ja käyttövalmis. Valtuutetun huoltopisteen on korjattava tai vaihdettava vioittuneet osat asianmukaisesti.

TERÄLEVYN JA TERÄKETJUN ASENTAMINEN

Katso sivu 282 - 285.

1. Pysäytä tuote. Käytä suojakäsineitä.
2. Vapauta ketjujarru.
3. Avaa terälevyn lukitusnuppi ja irrota vetopyörän suoja.
4. Irrota terälevy ja ketju laitteesta.
5. Puhdista vetopyörän alapuoli.
6. Vaihda terälevy uuteen löysentämällä ketjun kiristyskokooppänon ruuvia. Asenna ketjun kiristyskokooppäno uuteen terälevyyn ja kiristä mutteri.
7. Kiinnitä terälevy ja ketjun kiristyskokooppäno moottorisahaan. Laske terälevyä siten, että pultti kulkee terälevyn ja ketjun kiristyskokooppänon reiän läpi.
8. Teräketjun tulee osoittaa sen pyörimissuuntaan. Jos ne ovat taaksepäin, käännä silmukka toisinpäin.
9. Aseta silmukka vetopyörän ympärille. Aseta ketjun vetolenkit terälevyn uraan. Voit tarvittaessa kääntää tätä kokooppänoa uudelleen kiristääkseen ketjuja, mikä auttaa pitämään sen paikoillaan.
10. Asenna vetopyörän suoja.
11. Säädä ketjun kireys. Viittaa kohtaan Ketjun kireyden säätäminen.

EN
FR
DE
ES
IT
NL
PT
DA
SV
FI
NO
RU
PL
CS
HU
RO
LV
LT
ET
HR
SL
SK
BG

ILMANSUODATTIMEN PUHDISTAMINEN

Katso sivu 290.

1. Pysäytä tuote. Varmista, että ketjujarru on jarrutusasennossa.
2. Ruuvaa ilmansuodattimen suojuksen lukitusnappi auki ja irrota se tuotteesta.
3. Irrota ilmansuodattimen.
4. Poista pöly ja lika ilmansuodattimesta harjalla. Voit tarvittaessa avata ilmansuodattimen litteällä ruuviavaimella ja puhdistaa sisäpuolen.
5. Asenna ilmansuodattimen suojuksen takaisin ja kiristä lukitusnappi.

KIPINÄSUOJAN PUHDISTAMINEN

Katso sivu 291.

VAROITUS

Äänenvaimennin on kuuma tuotteen käytön aikana ja sen jälkeen. Jotta välttyä vakavalta loukkaantumiselta, pidä kaikki ruumiinosat kaukana äänenvaimentimesta käytön aikana ja sen jälkeen.

1. Pysäytä tuote. Varmista, että ketjujarru on jarrutusasennossa. Anna äänenvaimentimen jäähtyä.
2. Poista äänenvaimentimen kannen piikilliseen puskuuriin kiinnittävä ruuvi ja irrota äänenvaimentimen suojan kaksi mutteria.
3. Irrota äänenvaimentimen suojuksen.
4. Irrota kipinäsuoja. Puhdista kipinäsuojaverkko pienellä teräsharjalla.
5. Asenna äänenvaimentimen suojuksen asennetaan suorittamalla nämä vaiheet vastakkaisessa järjestyksessä.

VAROITUS

Piikillinen puskuuri on tuotteen turvallisuusominaisuus. Kiinnitä se asianmukaisella ruuvilla asennettuasi äänenvaimentimen suojuksen. Ohjeiden laiminlyönti voi aiheuttaa vakavan loukkaantumisen tai kuoleman.

KETJUJARRUN TARKISTAMINEN JA PUHDISTAMINEN

Katso sivu 294.

- Pidä ketjujarrumeکانisimi aina puhtaana harjaamalla sen puhtaaksi.
- Testaa ketjujarrun toiminta aina puhdistuksen jälkeen.
- Lisätietoja on aiemmin tässä käsikirjassa, kohdassa "Käyttö – ketjujarrun tarkistaminen ja käyttö".

MOOTTORIN NOPEUDEN JA KAASUTTIMEN SÄÄTÄMINEN

VAROITUS

Kaasuttimen virheellinen säätäminen kasvattaa loukkaantumisen, kuolemaan johtavien onnettomuuksien ja tuotevaurioiden vaaraa. Kun kaasutin vaatii säätöä, vie tuote valtuutettuun huoltoon.

POLTTOAINESEKOITUKSEN MÄÄRÄ

Päivittäinen tarkastus	
Polttoaineseos	Ennen jokaista käyttöä
Teräketjun kireys	Ennen jokaista käyttöä
Teräketjun terävyys	Ennen jokaista käyttöä säännöllisesti
Kytin kytkeytyminen (ketju ei liiku tyhjäkäynnillä)	Ennen jokaista käyttöä
Viallisten varaosien varalta	Ennen jokaista käyttöä, silmämääräinen tarkastus
Irtonaisten kansien varalta	Ennen jokaista käyttöä
Irtonaisten kiinnitysosien varalta	Ennen jokaista käyttöä
Irtonaisten varaosien varalta	Ennen jokaista käyttöä
Ketjun jarrustointi	Ennen jokaista käyttöä
Polttoainevuodoille	Ennen jokaista käyttöä

TARKASTA JA PUHDISTA

Terälevy	Ennen jokaista käyttöä
Koko saha	jokaisen käytön jälkeen
Ilmansuodatin	5 tunnin välein*
Ketjujarru	5 tunnin välein*
Vaihda polttoaineensuodatin uuteen	Vuosittain
Vaihda polttoaineensuodatin uuteen	Vuosittain

*Käyttötunnit

KÄYTTÖÖN LIITTYVÄT RISKIT

Vaikka tuotetta käytettäisiin ohjeiden mukaisesti, ei ole mahdollista täysin eliminoida tiettyjä käyttöön liittyviä riskitekijöitä. Käytössä voi aiheutua seuraavia vaaroja, ja käyttäjän tulee kiinnittää erityistä huomiota niiden välttämiseen:

- Tärinän aiheuttama vamma. Käytä aina työhön sopivaa laitetta, käytä nimettyjä kahvoja ja rajoita työaikaa sekä altistumista.
- Liian kova melu voi aiheuttaa kuulovamman. Käytä suojalaseja ja rajoita altistumista.
- Teräketjun paljaisiin hampaisiin koskettaminen (leikkuuvaara).

- Terälevyn odottamaton, äkillinen liike tai takapotku (leikkuuvaara).
- Teräketjusta sinkoutuvat osat (leikkuu/lävistysvaara)
- Sinkoutuneet puukappaleet (puulastut, tikut).
- Sahanpurun ja hiukkasten sekä pakokaasun hengittäminen.
- Ihokontakti bensiinin/öljyn kanssa.

RISKIEN VÄHENTÄMINEN

Raporttien mukaan käsikäyttöisten laitteiden tärinä voi joidenkin kohdalla myötävaikuttaa Raynaud's Syndromen (Raynaudin oireen) ilmenemiseen. Oireita ovat pistely, turtuus ja sormien kalpeneminen, yleensä kylmässä ilmassa. Perinnölliset tekijät, kylmyys ja kosteus, ruokavalio, tupakointi sekä työtavat voivat kaikki myötävaikuttaa näiden oireiden ilmenemiseen. Käyttäjä voi ehkäistä tärinän aiheuttamia vaikutuksia seuraavasti:

- Pidä itsesi lämpimänä kylmällä säällä. Käytä tuotteen käytön aikana käsineitä, jotta kätesi ja ranteesi pysyvät lämpöisinä. Raporttien mukaan kylmä ilma on tärkeä tekijä Raynaud's Syndromen (Raunaudin oireiden) ilmenemisessä.
- Harjoita kunkin käyttöjakson jälkeen liikuntaa, jotta verenkierto lisääntyisi.
- Pidä työn aikana säännöllisesti taukoja. Rajoita päivittäisen tärinän määrä.
- Ammatilliselta moottorisahojen jälleenmyyjältä saatavat suojakäsineet on suunniteltu erityisesti moottorisahakäyttöön; ne tarjoavat suojaa ja hyvän otteen. Myös käsineet vähentävät kahvan tärinän vaikutusta. Tällaisten käsineiden tulee noudattaa EN381-7 standardia ja olla CE-merkitty

Jos mitään yllä mainittuja oireita ilmenee, lopeta heti laitteen käyttö ja kerro oireista lääkärille.

VAROITUS

Laitteen pitkittynyt käyttö voi aiheuttaa tai vaikeuttaa vammoja. Kun käytät mitä tahansa laitetta pitkiä aikoja, muista pitää säännöllisiä taukoja.

TUNNE TUOTTEESI

Katso sivu 271.

OSAT

1. Ketju
2. Terälevy
3. Käden etusuojus/Ketjujarru
4. Etukädensija
5. Ilmansuodattimen kansi
6. Käynnistyskahva
7. Takakädensija
8. Moottorisahan kuorituki
9. Äänenvaimentimen suoja
10. Polttoaineseossäiliön tulppa
11. Ketjuöljysäiliön tulppa
12. Katkaisin
13. Liipaisimen vapautin
14. Kaasuliipaisin

15. Ryypytinnuppi
16. Rikastinvipu
17. Avain
18. Vetopyörän suoja
19. Ketjun pidäte
20. Ketjunkiristimen säätörengas
21. Terälevyn lukitusnuppi
22. Terälevyn suojuus

SUOJALAITTEET

PIENITAKAPOTKUINEN TERÄKETJU

Takapotkua vaimentava teräketju auttaa vähentämään takapotkun mahdollisuutta.

Höylähampaat (syvyyssmitat) kunkin leikkurin edessä voivat minimoida takapotkun reaktion voiman estämällä leikkureita kaivautumasta liian syvälle takapotkuvyöhykkeellä. Käytä ainoastaan valmistajan suosittelemia vaihtoterälevy ja –teräketjuyhdistelmiä.

Kun teräketjuja teroitetaan, ne menettävät jonkin verran pientakapotkuominaisuuksistaan. Noudata sen vuoksi erityistä varovaisuutta. Vaihda turvallisuuteksi vuoksi sahan teräketju suorituskyyvin heikeissä.

MOOTTORISAHAN KUORITUKI

Sisään rakennettua moottorisahan kuoritukea voidaan käyttää nivelpisteinä katkaistaessa. Se auttaa pitämään moottorisahan rungon vakaana sahattaessa. Työnnä laitetta sahatessasi eteenpäin kunnes piikit tunkeutuvat puun reunaan; liikuta sitten takakahvaa ylös tai alas leikkulinjalla pienentääksesi sahausrasitusta.

TERÄLEVYT

Yleisesti, terälevyt, joiden kärjen säde on pienempi, ovat vähemmän alltiita takapotkulle. Käytä ainoastaan valmistajan suosittelemia vaihtoterälevy ja –teräketjuyhdistelmiä. Muiden kuin suositeltujen terälevyjen käyttö lisää riskiä menettää laitteen hallinta sahaamisen aikana. Tarkista ketjun kireys säännöllisesti. Kun sahaat pienempiä oksia (terälevyn koko pituutta pienempiä), teräketju irtoaa todennäköisemmin jos kireys ei ole oikea.

KETJUJARRU

Ketjujarrut on tarkoitettu pysäyttämään nopeasti ketjun pyöriminen. Kun ketjujarrun vipu/kädensuojus työnnetään terälevyä kohti, ketjun tulisi pysähtyä heti. Ketjujarru ei estä takapotkua. Se pienentää loukkaantumiseriskiä vain, jos terälevy koskettaa käyttäjän ruumista takaiskun yhteydessä. Ketjujarrun toiminta tulee testata ennen jokaista käyttökertaa sekä käyttö- että jarruasennossa.

KETJUN PIDÄTE

Ketjusieppo estää sahan ketjua sinkoutumasta taaksepäin käyttäjää kohden, jos ketju irtoaa tai katkeaa.

TUOTTEESSA OLEVAT SYMBOLIT



Varoitus

EN
FR
DE
ES
IT
NL
PT
DA
SV
FI
NO
RU
PL
CS
HU
RO
LV
LT
ET
HR
SL
SK
BG



Lue ja ymmärrä kaikki ohjeet ennen tuotteen käyttöä ja noudata kaikkia varoituksia ja turvallisuusohjeita.



Käytä suojalaseja, kuulosuojaimia ja kypärää



Käytä tätä tuotetta käyttäessäsi luisumattomia turvajalkineita.



Käytä luisumattomia raskaan käytön käsineitä.



Varo teräketjun takapotkua äläkä kosketa terälevyn kärkeä.



Pidä ja käytä moottorisaha kaksin käsin.



Älä käytä moottorisaha yhdellä kädellä.



Tämä työkalu on sen EU-maan kaikkien sääntömääräisten standardien mukainen, josta se on ostettu.



Käytä lyijytöntä autoille tarkoitettua, vähintään 91 ((R+M)/2) oktaanin bensiiniä.



Käytä ilmajäähdytteisissä moottoreissa kaksitahtiöljyä.



Sekoita polttoaine huolella ja aina ennen tankkausta.



Lisää terälevy- ja ketjuöljyä aina kun lisäät tuotteeseen polttoainetta.



Aseta ketjujarru RUN-asentoon.



Aseta ketjujarru BRAKE-asentoon.



Käännä sytytyskytkin ON-asentoon.



Paina täysin alas ja vapauta RYYPYTINNUPPI 10 kertaa.



Aseta rikastinvipu asentoon "FULL".



Vedä käynnistysnarusta, kunnes moottorin ensimmäinen käynnistysääni kuuluu (ei viittä vetäisyä enempää).



Aseta rikastinvipu asentoon "HALF".



Nykäise käynnistimen kahvasta siten, että moottori käynnistyy.



Paina liipaisimen vapautinta ja kaasutinliipaisinta.



EurAsian-vaatimustenmukaisuusmerkki



Taattu äänenteho on 112 dB.



Terälevyn ja ketjun voitelu



Lyijytöntä polttoainetta ja 2-tahtiöljyä.



Käyntiasento



Rikastinvipu puoliksi auki



Asentoon "FULL"



Lukko



Avaa



Kierrä säätääksesi ketjun kireys
+ = Kiristä ketju
- = Löysennä ketjua



Ketjun liikesuunta
(Merkitty vetopyörän suojan alle)



Normaalitila



Jäänestotila

T	Joutokäynnin säätö
H	Suuren nopeuden säätöneula
L	Matalan nopeuden säätöneula

TÄMÄN KÄSIKIRJAN SYMBOLIT



Sekoita polttoaine ulkona paikassa, jossa ei ole kipinöitä eikä liekkiä.



Älä tupakoi sekoittaessasi polttoainetta tai täyttäessäsi polttoainesäiliötä.



Osat ja lisävarusteet on hankittava erikseen



Käytöstä poistettavia sähkölaitteita ei pidä hävittää talousjätteiden mukana. Ne on mahdollisuuksien mukaan pantava kiertoon.



Huomautus



Varoitus!



Käytä suojalaseja ja kasvosuojusta.



Käytä vartalonsuojusta.



Käytä jalkasuojusta.



Pysäytä tuote.



Lukitsen suodattimen huoltoluukku.



Avaa suodattimen huoltoluukku.

Seuraavien merkien tarkoitus on selittää, miten vakava riski tuotteeseen liittyy.

⚠ VAARA

Ilmaisee välitöntä vaaratilannetta, joka ellei sitä vältetä, johtaa kuolemaan tai vakavaan loukkaantumiseen.

⚠ VAROITUS

Ilmaisee potentiaalisen vaaratilanteen, joka ellei sitä vältetä, johtaa kuolemaan tai vakavaan

loukkaantumiseen.

⚠ HUOMAUTUS

Ilmaisee potentiaalisen vaaratilanteen, joka ellei sitä vältetä, saattaa johtaa pienempään tai keskivaikeaan loukkaantumiseen.

HUOMAUTUS

Ilman turvallisuusvaroitussymbolia

Ilmoittaa tilanteesta, jossa omaisuutta saattaa vaurioitua.

EN
FR
DE
ES
IT
NL
PT
DA
SV
FI
NO
RU
PL
CS
HU
RO
LV
LT
ET
HR
SL
SK
BG

Sikkerhet, ytelse og driftssikkerhet er gitt topp prioritet i konstruksjonen av din Sindsindret kjedesag.

TILTENKT BRUK

Produktet er kun tiltenkt til utendørs bruk på et godt ventilert sted. Av sikkerhetsmessige årsaker må produktet holdes under kontroll ved alltid å holde det med to hender.

Produktet er ment til kutting av grener, stammer, tømmerstokker og bjelker på en diameter som bestemmes av lengden på sagsverdet. Den kan kun brukes til saging i tre. Det er kun til privat bruk og skal kun brukes av voksne som har fått tilstrekkelig opplæring om farene og forebyggende tiltak/handlinger som skal iverksettes under bruk.

Ikke bruk produktet til annet enn det som er beskrevet over. Skal ikke brukes i profesjonell trefelligsvirksomhet. Produktet skal ikke brukes av barn eller personer som ikke bruker tilstrekkelig personlig verneutstyr og verneklær.

⚠ ADVARSEL

Når produktet brukes må sikkerhetsreglene følges. For din egen sikkerhet og sikkerheten til tilskuerne, må du ha lest og forstått disse instruksene før du tar i bruk produktet. Du bør være med på et profesjonelt sikkerhetskurs vedrørende bruk, forebyggende tiltak, førstehjelp og vedlikehold av kjedesager. Vennligst ta vare på instruksjonene for fremtidig bruk.

⚠ ADVARSEL

En kjedesag er et potensielt farlig verktøy. Ulykker der kjedesager er innblandet fører ofte til tap av ekstremiteter eller død. Det er ikke kjedesagen i seg selv som er farlig. Fallende grener, veltende trær, rullende tømmerstokker kan drepe. Dødt eller råtnende trevirke utgjør en ytterligere fare. Du bør vurdere dine evner for å kunne fullføre oppgavene trygt. Ved tvil, la heller en profesjonell trefeller utføre jobben.

GENERELLE SIKKERHETSADVARSLER

- Noen regioner har bestemmelser som begrenser bruk av dette produktet. Spør de lokale myndigheter for råd.
- Ikke tillat at barn eller personer som ikke er kjent med brukermanualen bruker produktet. Lokale forskrifter kan begrense en alder av operatøren.
- Kontroller før hver bruk at alle styreenheter og sikkerhetsanordninger fungerer som de skal. Ikke bruk dette produktet hvis "av" knappen ikke stanser motoren.
- Ikke start eller kjør motoren i rom uten god ventilasjon; innånding av eksosgasser kan drepe.
- Rydd arbeidsområdet før hver gangs bruk, et uryddig arbeidsområde kan føre til ulykker.
- Bruk fullt syns- og hørselsvern, kraftige hansker, sikkerhetsstøvler med sklisikker såle og hjelm når produktet benyttes. Bruk ansiktsmaske ved støv.
- Ikke bruk løstsittende klær, korte bukser og smykker uansett type.
- Sørg for at langt hår ikke når lenger ned en til skuldrene

for å hindre at det kan fanges opp av roterende deler.

- Se opp for utkastede, flyvende eller fallende gjenstander. Hold alle tilskuere (spesielt barn og dyr) minst 15 m vekk fra arbeidsområdet.
- Bruk aldri produktet i en eksplosiv eller brannfarlig atmosfære.
- Behold et fast grep på begge håndtak når produktet brukes.
- Vær våken, følg med på hva du gjør og bruk fornuft når du anvender enheten. Ikke bruk utstyret når du er sliten, syk eller under påvirkning av alkohol, narkotika eller medisiner som kan påvirke reaksjonsevne og dømmekraft. Tap av konsentrasjon når maskinen brukes kan føre til alvorlig personskade.
- Ikke bruk i dårlig lys. Operatøren må ha klar sikt over arbeidsfeltet for å identifisere potensielle farer.
- Bruk av hørselsvern reduserer muligheten for å høre advarsler (rop eller alarmer). Brukeren må være ekstra oppmerksom med hensyn til hva som skjer på arbeidsområdet.
- Bruk av lignende utstyr i nærheten øker faren for både hørselskade og muligheten for at andre kommer inn i din arbeidssone.
- Ha god fotfeste og ballanse til enhver tid. Ikke len deg for langt. Å strekke seg kan føre til tap av balanse eller eksponering mot varme motordeler og kan øke risikoen for tilbakeslag.
- Hold alle deler av kroppen vekk fra bevegelige deler.
- Ikke berør områdene rundt støydempere og motor på enheten idet disse kan bli meget varme under bruk.
- Sjekk maskinen før hver bruk. Sjekk at alle kontrollene fungerer som de skal, inkludert kjedebremsen. Sjekk for løse fester, kontroller at alle vern og håndtak er satt på riktig og festet godt. Erstatt alle skadede deler før fortsatt bruk.
- Du må ikke endre maskinen på noe måte eller bruke deler og tilbehør som ikke er anbefalt brukt av produsenten.

⚠ ADVARSEL

Dersom produktet faller i bakken, får et sterkt slag eller starter å vibrere unormalt, stans produktet omgående og sjekk for skader eller finn ut hva som er årsaken for vibrasjonene. Enhver skade må repareres helt eller delen skiftes av et autorisert serviceverksted.

- Ved blanding av drivstoff eller fyll drivstofftanken, ikke røyker og holde 10 meter unna antenneskilder.
- Brennstoffet må blandes og lagres i en beholder som er godkjent for oppbevaring av bensin.
- Bland brennstoffet utendørs, på et sted der det ikke finnes gnister eller åpen flamme. Tørk opp alt brennstoffspil. Flytt 10 m vekk fra påfyllingsstedet for drivstoff før motoren startes.
- Stans motoren å la maskinen kjøle ned før fylling med drivstoff, lagring eller transport.
- Husk forsvarlig lukking av alle tanklokk etter etterfylling av drivstoff eller olje.

KJEDESAG SIKKERHETSADVARSLER

- Monter alltid sverddekslet når produktet ikke er i bruk eller blir båret eller transportert. Dette vil bidra til å redusere utilsikket kontakt med de skarpe knivene i sagkjeden. Bær produktet i det øvre håndtaket med sverdet pekende vekk fra kroppen.
- Du kan bli vant til din nye kjedesag ved å gjøre enkle kutt på trygt støttet trevirke. Gjør det hver gang du ikke har brukt sagen på en stund.
- Kapp tømmerstokker i en sagkrakk eller vugge når produktet brukes for første gang.
- Påse at alle verneanordninger, håndtak og piggværnet er påsatt riktig og i god stand.
- Personer som bruker dette produktet må være ved god helse. Produktet er tungt; brukeren må derfor være i god fysisk form. Brukeren må være oppmerksom, ha godt syn, mobilitet, balanse og være høyrehendt. Ikke bruk produktet hvis du er i tvil om anvendelsen.
- Ikke stå på ustabil grunn eller overflate når du bruker produktet. Dette kan inkludere, men ikke være begrenset til, stiger, stillaser og trær. Hold begge hendene på produktets håndtak til enhver tid.
- Ikke start å bruke produktet inntil du har et ryddet arbeidsområde, står trygt, og en planlagt fluktvei unna et fallende tre er klarlagt.
- Vær meget forsiktig når du sager ned småbusker og renninger, da tynne materialer kan hekte seg opp i sagkjeden og bli pisket mot deg eller dra deg ut av balanse.
- Når du sager av en gren som står i spenn, må du være oppmerksom på at den kan slå tilbake, slik at du ikke blir truffet når spenningen utløses.
- Vær oppmerksom på utslipp av eksosgasser, oljetåke og sagmugg. Bruk maske eller helmaske ved behov.
- Ikke kutt slyngplanter og/eller buskas (mindre enn 75 mm i diameter).
- Hold grensagen alltid med begge hender når du bruker den. BRUK ET FAST GREP, og grip om håndtakene med alle fingrene. Høyre hånd må være på bakre håndtak og venstre håndtak på fronthåndtaket.
- Før du starter kjedesagen, påse at sagen ikke er i kontakt med noe objekt. Start alltid produktet med kjedebremsen tilkoplet (skjøvet helt fram).
- Ikke modifierer produktet på noen måte eller bruk det til å drive tilleggsutstyr eller utstyr som ikke er anbefalt av produsenten for ditt produkt.
- Du bør ha et førstekjølpskrin med store sårbind og utstyr for å tilkalle hjelp (f.eks. fløyte) stående nær deg. Et større, mer velutstyrt skrin bør være innen rekkevidde.
- Brukeren kan være fristet til å fjerne hjelmen hvis det ikke er fare for fallende objekter i arbeidsområde, men husk at hjelmen, spesielt med gittervernet, kan bidra til å redusere potensiell fare for skader i fjeset og hode ved kickback.
- Feil spenning i kjede kan føre til at sagsverdet spretter av og fører til alvorlige personskader eller død. Lengden på sagkjeden er avhengig av temperaturen på kjeden

og graden av slitasje. Sjekk spenningen ofte.

- Hold håndtakene tørre, rene og fri for olje og fett. Håndtak som er fettete eller tilsølt med olje kan føre til at du mister kontrollen over sagen.
- For å unngå faren som er forbundet med kontakt med bevegelige deler må motoren alltid stoppes, kjedebremsen tilkoples, tennkabelen fjernes fra tennpluggen og alle bevegelige deler sluttet å bevege seg før
 - rengjøring eller fjernes en blokkering
 - etterlater produktet uten tilsyn
 - installasjon eller fjerning av påsatsler
 - kontroll, vedlikehold og arbeider på produktet
- Størrelsen på arbeidsområdet avhenger av hvilken jobb som skal gjøres, og av størrelsen på det treet eller det arbeidsstykket du skal arbeide med. F.eks. krever felling av et tre et større arbeidsområde enn når man bare kutter, f.eks. oppkapping osv. Brukeren må være oppmerksom og ha kontroll over alt som skjer i arbeidsområde.
- Ikke kutt hvis du har kroppen på linje med sagsverdet og kjede. Hvis det oppstår kickback vil du slik bidra til å hindre at kjede kan komme i kontakt med hode eller kroppen din.
- Ikke bruk fram- og tilbakegående sagebevegelser - la sagkjeden gjøre jobben. Hold kjedetennene skarpe og ikke bruk makt ved kappingen.
- Ikke trykk på sagen ved slutten av kuttet. Vær klar for å ta imot vekten av sagen når den har kuttet gjennom treet. Å unnlate å gjøre det kan føre til alvorlig personskade.
- Ikke stans sagen midt i kutteprosessen. Hold sagen i gang inntil den helt er fjernet fra kuttet.

Personlig verneutstyr

Personlig verneutstyr av god kvalitet som profesjonelle bruker, vil hjelpe til å redusere faren for personskader hos brukeren. Følgende ting bør brukes når du bruker kjedesagen:

Vernehjelm

- bør være iht. EN 397 og merket med CE

Hørselvern

- bør være iht EN 352-17 og merket med CE

Beskyttelse for øyne og ansikt

- bør være CE-merket og iht. EN 166 (for vernebriller) eller EN 1731 (for masker med gitter)

Hansker

- bør være iht. EN 397 og merket med CE

Beinbeskyttelse (chaps)

- bør være iht. EN 381-5, være CE-merket og gi helhetlig beskyttelse.

Kjedesag vernestøvler

- bør være iht. EN ISO 20345:2004, være merket med et piktogram med kjedesag for å vise at det er iht. EN 381-3. (De som bruker enheten av og til kan bruke vernesco med ståttupp og gamasjer iht. EN 381-9 hvis bakken er jevn og det er liten fare for å å snuble eller hekte seg fast i lyngen)

EN
FR
DE
ES
IT
NL
PT
DA
SV
FI
NO
RU
PL
CS
HU
RO
LV
LT
ET
HR
SL
SK
BG

Kjedesagjakke for å beskytte kroppen

- bør være iht EN 381-11 og merket med CE

MONTERING

⚠ ADVARSEL

Om noen deler er skadet eller mangler ikke bruk dette produktet før det er reparert eller erstattet. Å ikke følge denne advarselen kan føre til alvorlig personskade.

MONTERING AV KJEDESAGEN OG SAGSVERDET

Se side 273, Fig. 5 - 8.

1. Stans produktet. Bruk vernehansker.
2. Frigjøringen av kjedebremsen
3. Skru løs låseknotten til sverdet og fjern tannhjuldekslet.
4. Fest sverdet og kjedestrammerenheten til kjedesagen. Senk sverdet slik at bolten går gjennom sverdet og kjedestrammerenheten.
5. Sagkjede bør være vendt i retning av kjederotasjonen. Hvis de snur bakover, snur du løkken.
6. Plasser løkken rundt tannhullet. Plasser kjedeleddene i sporet på sverdet. Om nødvendig må kjedestrammerenheten tilføres noe stramming for å bidra til å holde den på plass.
7. Sett på igjen tanndekslet.
8. Juster kjedespenningen. Se i kapittelet "Juster kjedespenningen".

JUSTERE KJEDESTRAMMINGEN

Se side 286.

1. Løsne sverdets låseknotte noe ved å dreie den mot venstre.
 2. For å øke kjedespenningen, skru du justeringsringen med klokken og husk å sjekke kjedespenningen ofte. For å redusere kjedespenningen, skru du justeringsringen mot klokken og husk å sjekke kjedespenningen ofte.
 3. Kjedespenningen er riktig når mellomrommet mellom kutteren i kjede og sverdet er mellom 3 mm og 4 mm. Dra i kjede midt på undersiden av sverdet nedover (unna sverdet) og mål avstanden mellom sverdet og kjedekutterne.
 4. Stram til sverdets låseknotte ved å dreie den mot høyre.
- MERK: Temperaturen på kjedet stiger ved normal bruk og fører til at det strekker seg. Må strammingen kontrolleres ofte og justeres om nødvendig. En kjede som er strammet i varm tilstand, kan bli for stram når den blir kald. Påse at kjedet er korrekt strammet som vist i disse instruksjonene.

BRUK AV PRODUKTET

BRENNSTOFF OG FYLING

Sikker håndtering av brennstoff

⚠ ADVARSEL

Slå alltid av motoren før fylling av drivstoff. Du må aldri fylle brennstoff på en motor som er i gang, eller som er veldig varm. Fjern deg minst 10 m fra det stedet der du fylte brennstoff før du starter motoren. Du må ikke røyke! Unnlater du å følge denne advarselen, kan det føre til mulige personskader.

⚠ ADVARSEL

Kontroller at det ikke finnes brennstofflekkasjer. Hvis noen finnes, korrigjer dem før produktet tas i bruk for å unngå brann eller brannskader.

- Vis forsiktighet ved behandling av drivstoff, det er meget brannfarlig.
- Fyll alltid drivstoff utendørs i god avstand fra eventuelle tennkilder, ikke pust inn drivstoffdamp.
- La ikke bensin og olje komme i kontakt med huden. Hvis det oppstår kontakt må huden umiddelbart vaskes med rikelige mengder vann.
- Hold bensin og olje borte fra øynene. Hvis du skulle få bensin eller olje i øynene, må du øyeblikkelig vaske dem grundig med rent vann. Hvis øynene fremdeles er irritert, må du øyeblikkelig oppsøke en lege.

Blande brennstoffet

- Verktøyet drives med en totaktsmotor som krever en blanding av bensin og syntetisk totaktsolje (forhold: Bland blyfri bensin og totaktsolje i en ren beholder som er godkjent for oppbevaring av bensin.
- Denne motoren er godkjent for å kjøres på blyfri bensin for bilbruk, med et oktantal på 91((R + M)/2) eller høyere.
- Du må ikke bruke ferdigblandet bensin/olje fra bensinstasjoner; den inneholder en oljeblanding som er tiltenkt bruk for mopeder, motorsykler osv.
- Bruk en høykvalitets 2-takts selvblendende olje for luftavkjølte motorer. Ikke bruk motorolje eller 2-taktsolje på utsiden som smøremiddel.
- Bland 2% olje i bensinen. Dette gir forholdet 50:1.
- Bland brennstoffet godt ved blanding, og også før hver fylling.
- Bland bare små kvanta. Du bør ikke blande mer enn det du regner med å bruke i løpet av 30 dager. En 2-taktsolje som inneholder drivstoffstabilisator anbefales

MERK: Skade på bensinsystem eller ytelsesproblemer som kommer av oksiderende bensin som inneholder et større prosenttall oksidanter enn det som er beskrevet tidligere, blir ikke dekket av garantien.

Fylling av drivstofftanken

Se side 273.

- Rengjør overflaten rundt tanklokket for å unngå rusk i brennstoffet.
- Løse drivstofflokket sakte.
- Tøm brennstoffblandingen forsiktig på tanken. Unngå søl.
- Før du setter tanklokket på igjen, bør du inspisere og rengjøre pakningen.
- Sett på lokket igjen med én gang, og sett det godt til. Tørk opp alt brennstoffsøl.

MERK: Det er normalt at motoren avgir røyk under og etter første gangs bruk.

FYLL KJEDESMØREOLJE

Se side 273.

⚠ ADVARSEL

Du må aldri jobbe uten kjedesmøring. Hvis kjede går uten smøring, kan sagsverdet og kjede bli skadet. Derfor er det nødvendig å sjekke oljenivået i oljemåleren ofte og hver gang man starter å jobbe med kjedesagen igjen.

1. Rengjør område rundt oljedekselet for å hindre forurensing.
2. Skru opp og ta av dekslet til oljetanken.
3. Hell oljen inn i oljetanken og følg med på oljemåleren. Pass på at smuss ikke kommer inn i oljetanken mens du fyller på oljen.
4. Sett tilbake oljedekselet og skru fast. Tørk bort eventuelt søl.
5. En full oljetank er nok til å bruke aken i 20 - 40 minutter.

MERK: Et korrekt funksjonerende smøresystem for kjede og sverd vil vanligvis avgjøre olje fra kjeden under bruk. Pek med tuppen på kjeden mot et stykke papir med lys farge, for eksempel en avisside, for å sjekke funksjonaliteten til smøresystemet for kjede og sverd. Klare spor av oljesprut skal kunne sees etter kort tid.

Anbefalt kjedesmøreolje

- Produsenten anbefaler at du kun bruker Ryobi smøreolje for kjedesager. (Tilgjengelig fra ditt autoriserte servicesenter)

STARTING AV PRODUKTET

Startmetoden er forskjellig avhengig av om motoren er kald eller varm.

⚠ ADVARSEL

Hold kroppen til venstre for en linje gjennom kjeden. Du må aldri skrive over sager eller kjeden, eller lenne deg over linjen gjennom kjeden.

- Plasser produktet på flat grunn og sørg for at ingen gjenstander eller hindringer kan komme i kontakt med sverdet og kjeden.
- Hold det forre håndtaket fast med venstre hånd, og sett høyre fot på platen ved det bakre håndtaket.

MERK: I den følgende startinstruksjon, når chokespaken er trukket ut hele veien til START-merket er gasspeldet stilt inn for start. For å tilbakestille gasspeldet til RUN-merket, trykk inn og slipp gassavtrekkeren.

Å starte en kald motor:

Se side 272 - 273.

1. Sett tenningsbryteren til posisjon ON.
2. Påse at kjedebremser er i BRAKE-posisjonen ved å trykke framover på spaken/handskjermen.
3. Trykk PUMPEBLÅSEN helt inn og slipp den 10 ganger.
4. Trekk choke-spaken hele veien ut til posisjon START.
5. Når temperaturen er over 10°C, dra starterhåndtaket til motoren forsøker å starte, men ikke mer enn tre ganger. Når temperaturen er over 10°C, dra starterhåndtaket til motoren forsøker å starte, men ikke mer enn 5 ganger.
6. Skyv chokespaken til "halv" posisjon. Dra starterhåndtaket inntil motoren starter.
7. Trykk inn avtrekkerutløseren og trykk inn gassavtrekkeren, frigjør deretter gassavtrekkeren for å senke motorhastigheten til tomgang.
8. La produktet kjøre på tomgang i 15 - 30 sekunder.
9. Før motoren akselereres eller det utføres kapp må det påses at kjedebremser er i posisjon "run" ved å trekke bremsespaken/håndvernet bakover.

⚠ FORSIKTIGHETSREGEL

Hvis du ikke løser ut gasshendelen mens kjedebremser er på, kan det gjøre alvorlig skade på motorsagen. Du må aldri trykke inn eller holde inne gasshendelen når kjedebremser er på.

Å starte en varm motor:

Se side 281.

1. Sett tenningsbryteren til posisjon ON.
2. Påse at kjedebremser er i BRAKE-posisjonen ved å trykke framover på spaken/handskjermen.
3. Trykk på primerballongen 10 ganger.
4. Trekk chokespaken helt ut til posisjon "START" og skyv den tilbake til posisjon "RUN" (kjør).
5. Trekk i startergrepet inntil motoren kjører, men ikke mer enn 5 ganger. Trykk inn avtrekkerutløseren og trykk inn gassavtrekkeren, frigjør deretter gassavtrekkeren for å senke motorhastigheten til tomgang. Hvis motoren ikke starter etter fem forsøk må prosedyren for start av kald motor benyttes.
6. Før motoren akselereres eller det utføres kapp må det påses at kjedebremser er i posisjon "run" ved å trekke bremsespaken/håndvernet bakover.

SKIFTING MELLOM DRIFTSMODUS

Se side 287.

Produktet har en antifrost driftsmodus som hindrer at det dannes is inne i forgasseren ved bruk i temperaturer under ≤5 °C.

En ventilasjonsluke på høyre side av luftfilterdekslet kan flyttes slik at varm luft dirigeres mot motoren og på den måten hindrer at det dannes is inne i forgasseren.

⚠ ADVARSEL

Å unnlate å skifte fra normal driftsmodus til antifrost driftsmodus ved temperaturer på ≤ 5 °C vil redusere motorens effekt eller føre til driftsfeil på motoren.

Husk alltid å stille produktet tilbake til normal driftsmodus når det ikke er fare for isdannelse i forgasseren. Å unnlate å skifte fra antifrost driftsmodus til normal driftsmodus ved normale temperaturer kan føre til driftsfeil på motoren.

STOPPE MOTOREN

Slipp gasshendelen og la motoren komme ned til tomgangshastighet. For å stoppe motoren, trykker du bryteren til "O"-stillingen. Ikke sett motorsagen ned på bakken mens kjeden fremdeles er i bevegelse. For ekstra sikkerhet bør du aktivere kjedebremsen når sagen ikke er i bruk.

I tilfelle saken ikke vil stoppe med tenningsbryteren, kan du trekke chokehendelen helt ut (Full) og aktivere kjedebremsen for å stoppe motoren. Hvis tenningsbryteren ikke stopper motoren når den settes i "O"; stoppstillingen, må du få bryteren reparert før du bruker motorsagen igjen; dette for å unngå farlige forhold eller alvorlige skader.

MERK: Når du er ferdig med å bruke produktet må trykket i tanken frigjøres ved å løse og deretter stramme til loddene for kjedemøringen og tanken. La motoren kjøles ned før sagen lagres.

HOLDING AV PRODUKTET

Se side 273.

Hold kjedesagen alltid med høyre hånd på bakhåndtaket og venstre hånd på fremre håndtak. Ta tak i begge håndtak slik at du griper rundt med tommel og fingre. Påse at din venstre hånd holder fronthåndtaket slik at tommelen er under.

SJEKK OG BRUK AV KJEDEBREMS

1. Utløs kjedebremsen ved å rotere din venstre hånd rundt fronthåndtaket. Med håndbaken dytter du kjedebremsspaken/ håndvernet mot sverdet mens kjede roterer raskt. Hold til enhver tid begge hendene på produktets håndtak.
2. Sett kjedebremsen tilbake til fri ved å ta tak i kjedebremsspaken / håndvernet og dra fronthåndtaket inntil du hører et klikk.

⚠ ADVARSEL

Hvis kjedebremsen ikke stopper kjedet øyeblikkelig, eller hvis kjedebremsen ikke vil holde seg i kjørestilling uten hjelp, ta saken med til et autorisert servicesenter for reparasjon før bruk.

⚠ ADVARSEL

Når gassavtrekkeren frigjøres og motoren går på tomgang må ikke sagkjeden bevege seg. Hvis det fortsetter å bevege seg er det stor risiko for alvorlig skade på operatøren. Ikke bruk produktet men send det tilbake til et autorisert servicesenter for profesjonell justering.

KONTROLL AV CLUTCHEN

1. Frigjør kjedebremsen ved å trekke kjedebremsspaken/ håndvernet fremover mot det fremre håndtaket inntil et klikk høres.
2. La motoren kjøre på tomgang. Sørg for at sagkjedet ikke roterer. Hvis sagkjeden beveger seg på tomgang, må du kanskje justere forgasseren. Ikke bruk maskinen. Lever den til et autorisert servicesenter for en justering av en fagperson.
3. Trykk gassavtrekkeren halvt inn og kjør produktet på halv fart. Sagkjeden skal rotere mykt hvis clutchen er i god stand.

Årsaker til kickback og hvordan hindre de:

Det kan oppstå tilbakeslag når tuppen på sverdet kommer borti en gjenstand eller når sagkjeden knipes eller låses fast i treverket under sagingen.

Kontakt med tuppen kan i noen tilfeller føre til en plutselig reversreaksjon, slik at sagsverdet spretter bakover mot brukeren.

Blokkering av sagkjedet langs toppen av sverdet vil kunne skyve sverdet hurtig tilbake mot brukeren.

En av disse reaksjonene kan føre til at du mister kontroll over produktet, noe som igjen kan føre til alvorlige personskader. Du må ikke bare stole blindt på de sikkerhetsanordninger som er innebygget i saken. Som bruker av en motorsag må du ta flere forholdsregler for å beskytte deg mot ulykker og skader.

En kickback er resultatet av misbruk av verktøyet og/eller feil bruksprosedyrer eller forhold som kan unngås ved å ta riktige forholdsregler som følger:

- **Hold verktøyet fast, med tommelen og fingrene rundt kjedesagens håndtak, med begge hendene på saken og med kroppen og armene slik at du klarer å motstå kickback.** Kickback-kreftene kan kontrolleres av brukeren hvis man tar de riktige forholdsreglene. Ikke slipp taket på kjedesagen.
- **Ikke strekk deg over den og ikke kutt over skulderhøyde.** Det bidrar til å hindre utilsiktet kontakt med tuppen og sikrer bedre kontroll over kjedesagen i uventede situasjoner.
- **Bruk kun reservedeler for skinnen og kjede i samsvar med produsentens spesifikasjoner.** Feil reservedeler for skinnen og kjede kan føre til at kjede brister og/eller kickback.
- **Følg produsentens vedlikeholdsinstruksjoner for sagkjeden.** Ved å minske høyden på dybdemåleren, er det større fare for kickback.

SKYVENDE OG TREKKENDE

Se side 279.

Reaksjonskraften går alltid motsatt vei av den retningen sagkjeden beveger seg. Derfor må brukeren være klar til å styre maskinens tendens til å dra unna (bevegelse framover) når det kuttes med nedre kant av skinnen og dytt bakover (mot brukeren) når man kutter med øvre kant.

SAG KJØRT FAST I KUTTET.

Stans kjedesagen og sikre den. Ikke prøv å forsere kjede og skinnen ut av kuttet for det vil sannsynligvis føre til at kjede vil bryte og slå mot brukeren. Denne situasjonen oppstår vanligvis når trevirket ikke er støttet opp riktig slik at kuttet blir presset sammen etterhvert som man fortsetter, noe som klemmer bladet i kuttet. Hvis justering av støtten ikke frigjør sverd og kjede må det brukes kiler eller spak av tre for å åpne kappet og frigjøre produktet. Du må aldri prøve å starte kjedesagen når sagsverdet allerede er i et kutt eller sagsnitt.

ANVISNINGER OM RIKTIG TEKNIKK FOR GRUNN-LEGGENDE FELLING, KVISTING OG KRYSSKUTTING

Å forstå kreftene i trevirke

Når du har forstått retningstrykk og stresskrefter i trevirke, kan du redusere "klem" eller i det minste forvente de under kutting. Spenninger i trevirke betyr at fibre blir dratt fra hverandre og his du kutter inn i et slikt område, vil sagsnittet eller kuttet prøve å åpne seg mens sagan går gjennom. Hvis et tømmer er støttet opp på en sagbuk og enden henger uten støtte over enden, da vil spenningen som oppstår strekke fibre på øvre overflate på grunn av vekten på det overhengende tømmeret. Tilsvarende vil undersiden være i kompresjon og fibre blir presset sammen. Hvis et kutt gjøres i dette område, vil sagsnittet ha en tendens til å lukke seg under kuttet. Det vil klemme kjede.

Felle et tre

Se side 277 - 278.

Når oppkapping og felling gjøres av to eller flere personer samtidig, bør fellingen gjøres adskilt fra kappingen på en avstand minst dobbel så stor som høyden på treet som felles. Trær bør ikke felles på en slik måte at man setter personer i fare, treffer en strømledning eller forårsaker materielle skader. Hvis treet kommer i kontakt med en strømledning, må selskapet kontaktes omgående.

Motorsagbrukeren bør stå høyere enn treet i en evt. skråning, slik at treet mest sannsynlig vil rulle eller gli nedover skråningen etter at det er felt.

Man bør ha en fluktvei klar og renset etter behov før man starter kappingen. Fluktveien bør være utvidet bakover og diagonalt for bakkdelen av forventet falllinje.

Før du starter fellingen, ta med i beregningen treets naturlige helling, hvor større grener er og vindretningen for å avvæie hvor treet vil falle.

Fjern møkk, steiner og løst bark, spiker, stifter og wire fra treet.

Ikke forsøk å felle trær som er råtne eller har blitt skadet av vinn, brann, lyn osv. Det er ekstremt farlig og skal kun utføres av profesjonelle trefellere.

- Lage styreskjær
Se side 277 - 278.

Lag et snitt på 1/3 av treets diameter, loddrett til

fallretningen. Lag den nedre vannrette innsnittet først. Slik vil du unngå at kjede eller sagsverdet blir klemt når det andre snittet lages.

- Lage felleskjæret
Se side 277 - 278.

Lag felleskjæret minst 50 mm høyere enn det vannrette styreskjæret. Hold felleskjæret parallelt til styreskjæret. Lag felleskjæret slik at det er nok trevirke igjen for at det blir som en hengsel. Hengselen hindrer at treet vil vri seg og falle i feil retning. Ikke kutt gjennom hengselen.

Når felleskjæret nærmer seg hengselen, bør treet starte å falle. Hvis det er noe mulighet for at treet ikke vil falle i ønsket retning eller kan bikke bakover og klemme sagens kjede, stans kuttingen før felleskjæret er kuttet ferdig og bruk så kiler i tre, plastikk eller aluminium for å åpne kuttet, slik at treet kan falle i ønsket retning.

Når treet begynner å falle, fjern kjedesagen fra kuttet, stans motoren, sett ned kjedesagen og bruk deretter veien som var planlagt for tilbaketrekking. Vær oppmerksom på grener som kan falle ovenfra og pass på hvor du trækker.

Fjerne støtterøtter

Se side 278.

En støtterot er en stor rot som går ut fra stammen på treet over jorden. Støtterøtter bør fjernes før treet felles. Sag først det vannrette kuttet inn i roten, deretter det vertikale. Fjern den løse delen fra arbeidsområdet. Følg korrekt prosedyre for felling etter at du har fjernet de store støtterøttene.

Kappe opp stammen.

Se side 279.

Kappe opp stammen i mindre lengder. Det er viktig at du står stødig og vekten er fordelt jevnt på begge føtter. Hvis mulig, skal tømmerstokken løftes og støttes ved hjelp av grener, andre stokker eller klosser. Følg disse enkle anvisningene for lettere kapping. Når tømmerstokken er støttet over hele lengden, kutter du ovenfra.

Når tømmerstokken er støttet i en ende, kutt 1/3 av diameteren fra undersiden. Deretter fullfører du kuttet ovenfra slik at du møter kuttet fra undersiden.

Når tømmerstokken er støttet i begge ender, kutt 1/3 av diameteren fra oversiden. Deretter fullfører du kuttet nedenfra slik at du møter det første kuttet.

Kutter du i en skråning, stå alltid på oversiden av tømmerstokken. Når du kutter gjennom, slipp opp kuttetrykket nær enden av kuttet for å beholde kontrollen, men uten å slippe opp grepet på kjedesagens håndtak. Kjede må ikke komme i kontakt med bakken. Etter at du har fullført kuttet, vent til kjedesagen har stanset før du flytter kjedesagen. Stans alltid motoren før du beveger deg fra tre til tre.

Kviste et tre

Se side 280.

Å kviste betyr å fjerne grener fra treet som er felt. Under kvistingen la større grener lenger ned bli igjen for å støtte opp tømmerstokken. Fjern de små grenene i ett kutt. Grener under spenning bør kuttes fra undersiden og opp for å unngå at sagan går i klem.

EN
FR
DE
ES
IT
NL
PT
DA
SV
FI
NO
RU
PL
CS
CL
HU
RO
LV
LT
ET
HR
SL
SK
BG

Kutte grener under spenning

Se side 280.

En stamme som står i spenn, kan være alle stammer, gjenstående stubber eller renninger som er bøyde av andre trær og står i spenn, slik at de vil slå opp når det som holder dem fjernes eller sages bort.

På et nedfelt tre kan rotstubben ha høy risiko for å slå tilbake når du kapper stammen fri fra stubben. Se opp for stammer som står i spenn, de er farlige. Ikke gjør forsøk på å kappe bøyde grener eller deler av treet som er under press dersom du ikke har profesjonell opplæring og er kompetent til å gjøre det.

TRANSPORT OG LAGRING

- Stopp motoren, sett på kjedebremsen, fjern tennkabelen fra tennpluggen og la produktet kjøle seg ned før transport eller lagring.
- Fjern alle fremmedelementer fra produktet.
- Tøm alt brennstoff fra tanken over i en beholder som er godkjent for bensin. Husk å sette tilbake og stramme lokket for drivstoffblandingen.
- Kjør motoren til den stopper. Dette vil bruke opp alt brennstoff som kunne bli for gammelt og etterlate avleiringer i brennstoffsystemet.
- Tapp all olje for kjede og sverd over i en beholder som er godkjent for oppbevaring av olje. Husk å sette tilbake og stramme lokket for kjedesmøringen.
- Sett alltid på sverddekslet før produktet lagres eller transporteres.
- Lagres på et kjølig, tørt og godt ventilert sted som er utilgjengelig for barn. Hold den borte fra korrosive materialer, så som ugressmidler og veisalt. Ikke oppbevar utendørs.
- Når produktet bæres en kort avstand (fra et arbeidsområde til et annet), sett alltid på bremsen slik at produktet er blokkert (fortrinnsvis bør maskinen også slås av).
- Ved transport må produktet sikres mot å komme i bevegelse eller falle for å unngå skade på personer, ting eller på produktet.
- Bær eller transporter aldri produktet når det går.

Pass på at du overholder både nasjonale og lokale regelverk for sikker lagring og håndtering av bensin. Overflødig oljeblandet brennstoff kan brukes opp i annet utstyr med totaktsmotor.

VEDLIKEHOLD

Sørg for at produktet alltid er i god stand.

⚠ ADVARSEL

Bruk kun produsentens originale reservedeler, tilleggsutstyr og påsatser. Dersom dette ikke følges, kan det forårsake personskader, dårlig funksjon og kan annullere garantien din.

⚠ ADVARSEL

Service krever meget stor forsiktighet og kunnskap og bør utføres kun av kvalifisert teknisk personale. For service og reparasjoner må produktet returneres til nærmeste autoriserte servicesenter. Når service utføres skal kun identiske reservedeler brukes.

⚠ ADVARSEL

Før inspeksjon, rengjøring eller vedlikehold av produktet må motoren stanses, kjedebremsen aktiveres og tennkabelen frakoples tennpluggen. Hvis disse forskriftene ikke overholdes, kan det medføre alvorlige skader og betydelige materielle skader.

- Du kan foreta justeringer og reparasjoner som er beskrevet i denne brukermanualen. For andre reparasjoner, ta kontakt med et autorisert serviceverksted.
- Følgene etter uriktig vedlikehold kan føre til at kjede sprekker og andre sikkerhetsfunksjoner ikke virker som de skal, slik at det øker faren for alvorlige skader. Utfør profesjonelt vedlikehold på kjedesagen og oppbevar trygt.
- Kvessing av kjeden på en sikker måte er en avansert operasjon. Derfor anbefaler produsenten sterkt at et slitt og sløvt kjede skiftes ut med et nytt som kan kjøpes fra ditt autoriserte Ryobi servicesenter. Delenummeret står i tabellen over produktspesifikasjoner i denne manualen.
- Følg anvisningene for smøring samt kontroll og justering av kjedespenningen.
- Etter hver bruk, rens produktet med en myk tørr klut.
- Kontroller all mutter, bolter og skruer med jevne mellomrom at de er skrudd fast for å sikre at produktet er i driftssikker stand. Enhver del som er skadet må repareres eller skiftes ut ved et autorisert serviceverksted.

SKIFTE SAGSVERDET OG KJEDE

Se side 282 - 285.

1. Stans produktet. Bruk vernehansker.
2. Frigjøringen av kjedebremsen
3. Skru løs låseknotten til sverdet og fjern tannhjuldekslet.
4. Ta sverdet og kjede av enheten.
5. Rengjør undersiden av tannhullet.
6. For å erstatte sverdet med et nytt løsnes skruen på kjedestrammerenheten. Sett kjedespenningsenheten på det nye sverdet og stram mutteren.
7. Fest sverdet og kjedestrammerenheten til kjedesagen. Senk sverdet slik at bolten går gjennom sverdet og kjedestrammerenheten.
8. Sagkjede bør være vendt i retning av kjederotasjonen. Hvis de snur bakover, snur du løkken.
9. Plasser løkken rundt tannhullet. Plasser kjedeledene i sporet på sverdet. Om nødvendig må kjedestrammerenheten tilføres noe stramming for å bidra til å holde den på plass.
10. Sett på igjen tanndekelet.
11. Juster kjedespenningen. Se i kapitlet "Juster kjedespenningen".

REINGJØRE LUFTFILTERET

Se side 290.

1. Stans produktet. Påse at kjedebremseren er i bremseposisjon.
2. Skru løs låseknotten på luftfilterdekslet og fjern det fra produktet.
3. Ta av luftfilteret.
4. Fjern støv og urenheter fra luftfilteret med en børste. Bruk om nødvendig en flat skrutrekker til å dele luftfilteret slik at innsiden kan rengjøres.
5. Sett tilbake luftfilterdekslet og stram låseknotten.

RENGJØR GNISTFANGEREN

Se side 291.

⚠ ADVARSEL

Støydemperen er varm under og etter bruk av produktet. For å unngå alvorlig personskade må alle kroppsdeler holdes på avstand fra støydemperne under og etter bruk.

1. Stans produktet. Påse at kjedebremseren er i bremseposisjon. La lyddemperen kjøles ned.
2. Fjern skruen som holder støydemperdekslet til støttepiggen, fjern deretter de to mutterne på støydemperdekslet.
3. Fjern støydemperdekslet.
4. Fjern gnistfangeren. Rengjør gnistfangernettingen med en liten børste.
5. Sett støydemperdekslet tilbake. For å erstatte støydemperdekslet må disse trinnene gjøres i omvendt rekkefølge.

⚠ ADVARSEL

Støttepiggen er en sikkerhetsfunksjon på produktet. Fest med korrekt skrue etter å ha erstattet støydemperdekslet. Å unnlate å følge disse instruksjonene kan føre til alvorlig personskade eller død.

KONTROLL OG RENGJØRING AV KJEDEBREMSEN

Se side 294.

- Hold alltid mekanismen til kjedebremsen ren ved lett å børste over leddene slik at de er smussfrie.
- Sjekk alltid at kjedebremsen fungerer etter rengjøring.
- Se "Drift - Sjekk og bruk kjedebremsen" tidligere i denne manualen for ytterligere informasjon.

MOTORTURTALL OG FORGASSERJUSTERING

⚠ ADVARSEL

Feil forgasserjustering kan øke risikoen for skader, ulykker med dødelig utfall og skade på produktet. For justering av forgasseren må produktet tas med til et autorisert servicesenter.

VEDLIKEHOLDSPLAN

Daglig sjekk

Drivstoffblanding	Før hver gangs bruk:
Sverdsmøring	Før hver gangs bruk:
Kjedestrapping	Før hver bruk og regelmessig
Kjedetilkobling (ingen kjedebegivelse når motoren går på tomgangshastighet)	Før hver gangs bruk:
Kjedekarphet	Før hver bruk, visuell kontroll
Skadede deler	Før hver gangs bruk:
Løse festemidler	Før hver gangs bruk:
Løse deler	Før hver gangs bruk:
Kjedebremsefunksjon	Før hver gangs bruk:
For bensinlekkasje	Før hver gangs bruk:

UNDERSØK OG RENGJØR:

Skinne	Før hver gangs bruk:
Hele saken	etter hvert bruk
Luftfilter	Hver 5 driftstimer
Kjedebremse	Hver 5 driftstimer
Skifte ut drivstoffilter	Årlig
Skifte ut drivstoffilter	Årlig

*Antall timer drift

GJENVÆRENDE RISIKO

Selv om utstyret brukes som beskrevet er det ikke mulig å unngå enhver gjenværende risiko. Følgende faresituasjoner kan oppstå ved bruk, og operatøren må legge spesielt vekt på å unngå følgende:

- Personskade på grunn av vibrasjon. Bruk alltid riktig verktøy til jobben, bruk håndtakene og begrens arbeidstiden og eksponeringen.
- Eksponering for støv kan føre til hørselskader. Bruk hørselvern og begrens eksponeringen.
- Kontakt med sagtennene i sagkjeden (fare for kuttskader).
- Uforutsette brå bevegelser eller tilbakeslag fra sverdet (fare for kuttskader).
- Deler som slenges ut av kjedesagen (kutte/innskytingsfare).
- Biter av trevirke (trefliser, splinter).
- Innånding av sagspon og partikler eller utslipp fra bensinmotoren.

EN
FR
DE
ES
IT
NL
PT
DA
SV
FI
NO
RU
PL
CS
HU
RO
LV
LT
ET
HR
SL
SK
BG

- Hudkontakt med bensin/olje.

FAREREDUKSJON

Det foreligger rapporter om at vibrasjoner fra håndholdt verktøy for enkelte personer kan bidra til en tilstand som kalles Raynauds Syndrome. Symptomene kan omfatte følelsesløshet og gjøre fingrene bleke, vanligvis synlig ved eksponering til lave temperaturer. Arvelige faktorer, eksponering mot lave temperaturer og fuktighet, diett, røyking og arbeidspraksis blir alle ansett for å kunne bidra til å utvikle disse symptomene. Brukeren kan iverksette tiltak for mulig å redusere virkningene av vibrasjonene:

- Hold kroppen din varm i kaldt vær. Bruk hansker og hold hender og håndledd varme ved bruk av produktet. Det er rapportert at kaldt vær er en viktig faktor som bidrar til Raynauds Syndrome.
- Etter hver arbeidsperiode bør det utføres øvelser for å øke blodsirkulasjonen.
- Ta ofte pauser fra arbeidet som utføres. Begrens mengden av eksponering pr. dag.
- Vernehansker tilgjengelig fra profesjonelle motorsagforhandlere er utformet spesielt for bruk med motorsager og gir beskyttelse og godt grep. Hansker reduserer også virkningen av håndvibrasjoner. Disse hanskene bør være iht. EN381-7 og må være CE-merket.

Hvis du opplever noen av symptomene på denne tilstanden må du øyeblikkelig avbryte arbeidet og oppsøke en lege med disse symptomene.

⚠ ADVARSEL

Hvis man bruker verktøyet for lenge av gangen, kan det føre til eller forverre allerede eksisterende personskaade. Når du bruker et verktøy over en lenger tidsperiode, husk å ta regelmessige pauser.

KJENN PRODUKTET DITT

Se side 271.

DELER

1. Kjede
2. Sverd
3. Håndvern/kjedebremis
4. Fremre håndtak
5. Luftfilterdeksel
6. Starthåndtak
7. Bakre håndtak
8. Fenderlist
9. Støydemperdeksel
10. Lokk for brennstofftank
11. Lokk for oljetank
12. Startbryter
13. Utløser for gasshåndtak
14. Gasshendel
15. Pumpeblåse
16. Chokehendel
17. Kombinasjonsnøkkel
18. Tanndeksel
19. Kjedefanger

126 | Norsk

20. Justeringsring kjedespenning
21. Låseknot for sverdet
22. Sagsverddeksel

SIKKERHETSANORDNINGER

SAGKJEDE MED LAV RISIKO FOR TILBAKESLAG

Et sagkjede med lav kickback bidrar til å redusere muligheten for at kickback oppstår.

Renseknastene (dybdeknastene) foran hver tann kan minske kraften i et tilbakeslag ved at de hindrer tennene å grave seg for dypt ned i tilbakeslagssonen. Ved utskifting må du kun bruke sagsverd og kjeder som produsenten anbefaler i kombinasjon med hverandre.

Når du kvesser tennene, mister de noe av sin evne til å hindre tilbakeslag, og da må du være ekstra forsiktig. For din sikkerhet, bør du skifte kjede når det begynner å kappe dårligere.

FENDERLIST

Den integrerte fenderlisten kan brukes som dreiesenter når man gjør et kutt. Det hjelper å holde motoren til kjedesagen rolig under kuttingen. Når du kutter, dytt maskinen forover inntil piggene graver seg inn i treverkets kant, deretter flytter du øverste håndtak oppover eller nedover, dvs. i retning av kuttelinjen slik at man letter på den fysiske tyngden kuttingen utgjør.

SVERD

Generelt sett har sverd med liten radius på tuppen noe mindre potensiale for tilbakeslag. Ved utskifting må du kun bruke sagsverd og kjeder som produsenten anbefaler i kombinasjon med hverandre. Bruken av sverd som ikke er anbefalt av produsenten øker risikoen for å miste kontrollen over sagen ved bruk. Sjekk kjedespenningen regelmessig. Når du kutter mindre grener (under full lengde på sagsverdet), er det større mulighet for at kjede spretter av hvis spenningen ikke er riktig.

KJEDEBREMS

Kjedebremisen er konstruert for å stoppe kjedens rotasjon øyeblikkelig. Når hendelen for kjedebremisen trykkes mot sverdet, skal kjeden stoppe øyeblikkelig. En kjedebremis forhindrer ikke tilbakeslag. Det vil kun redusere risikoen for personskaade dersom sagsverdet kommer i kontakt med brukerens kroppsdeler ved en kickback. Kjedebremisen bør testes før hvert bruk at den fungerer som den skal i begge posisjoner, åpen og utløst.

KJEDEFANGER

En kjedefanger hindrer sagkjeden fra å bli kastet tilbake mot operatøren hvis kjeden løsner eller brytes av.

SYMBOLER PÅ PRODUKTET



Sikkerhetsalarm



Les og forstå alle instruksjoner før du tar i bruk produktet, følg alle advarsler og sikkerhetsanvisninger.



Bruk beskyttelse for øyne, hørsel og ansiktet.



Anvend glisikkert fotstøy ved bruk av dette produktet.



Bruk kraftige, sklisiske hansker.



Vær klar over faren for tilbakeslag fra kjedesagen og unngå kontakt med sverdtuppen.



Hold og bruk kjedesagen med begge hender.



Hold ikke kjedesagen med bare én hånd når du bruker den.



Dette verktøyet overholder samtlige standarder i det EU-landet det er kjøpt i.



Bruk blyfri bensin til biler med et oktantal på 91 ((R+M)/2) eller mer.



Bruk 2-taktsolje for luftkjølte motorer.



Bland drivstoffet grundig også hver gang før etterfylling av drivstoff.



Fyll på sverd- og kjedeolje hver gang du fyller drivstoff på produktet.



Sett kjedebremsen til posisjon RUN.



Sett kjedebremsen til posisjon BRAKE.



Sett tenningsbryteren til posisjon ON.



Trykk PUMPEBLÅSEN helt inn og slipp den 10 ganger.



Sett chokespaken til "FULL" chokeposisjon.



Dra i startsnoren til du hører motoren tenner for første gang (ikke mer enn fem ganger).



Sett chokespaken til "HALF" (halv) chokeposisjon.



Dra starterhåndtaket inntil motoren starter.



Trykk inn avtrekkerlåsen og gassavtrekkeren.



EurAsian Konformitetstegn



Garantert lydnivå er 112 dB



Smøring for sverd og kjede



Blyfri bensin og 2-taktsolje.



Kjørestilling



Halv chokeposisjon



"FULL" chokeposisjon



Lås



Låse opp



Roter for å justere kjedestrammingen
+ = Stramming av kjeden
- = Løsning av kjeden



Bevegelsesretning på kjedet
(Merket under tannhjuldekelet)



Normalt driftsmodus



Antifrost driftsmodus

T

Justering av tomgangshastighet

H

Justeringsnål for høy hastighet

L Justeringsnål for lav hastighet

Uten sikkerhetsvarselssymbol

Indikerer en situasjon som kan føre til skade på eiendom.

SYMBOLER I DENNE MANUALEN



Bland brennstoffet utendørs, på et sted der det ikke finnes gnister eller åpen flamme.



Ikke røyk eller bruk åpen ild mens du blander eller fyller tanken med drivstoff.



Deler eller tilbehør solgt separat



Avfall fra elektriske produkter skal ikke kastes sammen med husholdningsavfall. Vennligst resirkulerevedeksisterende avfallsbehandlingssted.



Merk



Advarsel!



Bruk beskyttelse for øyne og ansiktet.



Bruk verneutstyr for øvre kroppsdeler.



Bruk beinbeskyttelse.



Stans produktet.



Lås tilgangsdekslet for filteret



Lås opp tilgangsdekslet for filteret

Følgende signalord og meninger har til hensikt å forklare graden av risiko forbundet med bruken av dette produktet.

FARE

Indikerer en øyeblikkelig farlig situasjon, som, hvis ikke unngås, kan resultere i død eller alvorlig personskade.

ADVARSEL

Indikerer en potensiell farlig situasjon, som, hvis ikke unngås, kan resultere i død eller alvorlig personskade.

FORSIKTIGHETSREGEL

Indikerer en potensiell farlig situasjon, som, hvis ikke unngås, kan resultere i mindre eller moderat personskade.

FORSIKTIGHETSREGEL

При разработке этого Бензиновая цепная пила особое внимание уделялось безопасности, производительности и надежности.

НАЗНАЧЕНИЕ

Продукт предназначен только для использования на открытом воздухе в хорошо проветриваемом месте. Из соображений безопасности всегда необходимо эксплуатировать инструмент, управляя им двумя руками.

Данный инструмент предназначен для распила веток, стволов, бревен и бруса, диаметр которых определяется длиной резания пильной шины. Предназначено только для распила дерева. Инструмент предназначен только для бытового применения взрослыми, прошедшими соответствующее обучение на предмет потенциальной опасности, профилактических мер и действий, предпринимаемых при эксплуатации.

Используйте инструмент только в вышеперечисленных целях. Он не предназначен для использования профессиональными службами озеленения. К использованию инструментом не должны допускаться дети или лица без соответствующих средств защиты и одежды.

⚠ ОСТОРОЖНО

При использовании устройства необходимо соблюдать правила техники безопасности. В целях вашей безопасности и безопасности окружающих необходимо прочитать и полностью уяснить настоящие инструкции перед эксплуатацией устройства. Вам необходимо пройти профессионально организованные курсы по безопасности эксплуатации, профилактическим действиям, первой помощи и техническому обслуживанию цепных пил. Сохраните данные инструкции для последующего использования.

⚠ ОСТОРОЖНО

Цепные пилы являются потенциально опасными инструментами. Несчастные случаи, связанные с использованием цепных пил, обычно приводят к повреждениям конечностей и летальному исходу. Но не только сама цепная пила может быть источником опасности. Падающие ветви, сваливающиеся деревья, укатывающиеся бревна могут убить человека. Поврежденная или сгнившая древесина представляет дополнительную опасность. Вы должны оценить свою способность выполнять поставленные задачи безопасно. Если у вас есть сомнения, доверьте эту работу профессиональному специалисту по резке дерева.

ОБЩИЕ ПРАВИЛА БЕЗОПАСНОСТИ

- В некоторых регионах существуют правила, ограничивающие использование этого продукта. Проконсультируйтесь с местными органами власти.
- Не допускайте к работе с данным устройством

детей и лиц, незнакомых с инструкциями по использованию изделия. Местные инструкции могут ограничить возраст оператора.

- Убедитесь перед каждым использованием, что все элементы управления и предохранительные устройства функционируют правильно. Не используйте устройство, если невозможно остановить двигатель выключателем.
- Никогда не запускайте и не используйте работающий двигатель в закрытом или плохо проветриваемом месте; вдыхание выхлопных газов может привести к летальному исходу.
- Очищайте рабочую зону каждым использованием, в замусоренной и захламленной рабочей зоне выше риск получения травмы.
- Используйте надежные приспособления для защиты глаз и органов слуха, прочные перчатки, защитную нескользкую обувь, а также средства защиты головы при работе с изделием. Использовать маску лица, если действие пыльно.
- Не допускается ношение слишком свободной одежды, коротких брюк, ювелирных изделий.
- Соберите длинные волосы выше плеч, чтобы предотвратить их попадание в движущиеся части.
- Остерегайтесь отлетающих или падающих предметов. Не подпускайте посторонних (особенно детей и домашних животных) ближе чем на 15 метров к месту проведения работ.
- Никогда не используйте изделие во взрывоопасной или огнеопасной атмосфере.
- Во время работы крепко держите изделие обеими руками.
- Следует соблюдать осторожность, следить за своими действиями и руководствоваться здравым смыслом при работе с устройством. Не работайте с данным устройством в случае усталости, болезненного состояния или под воздействием алкоголя, наркотиков или медикаментов. Недостаточная внимательность во время работы с устройством может привести к получению серьезной травмы.
- Не работайте при недостаточном освещении. Оператор должен четко видеть рабочую зону в целях выявления потенциальных опасностей.
- Использование средств защиты органов слуха снижает способность услышать предупреждения (крики или сигналы). Работающий уделять повышенное внимание к происходящему в зоне работы.
- Эксплуатация аналогичных устройств вблизи рабочей зоны повышает риск повреждения слуха и опасность появления посторонних лиц в вашей рабочей зоне.
- Держать устойчивую опору и баланс. Не перенапрягать. Перенапряжение может вызвать потерю равновесия или прикосновение к горячей поверхности и увеличить опасность возникновения отскока.
- Не допускайте попадания частей тела в движущиеся детали.

EN
FR
DE
ES
IT
NL
PT
DA
SV
FI
NO
RU
PL
CS
HU
RO
LV
LT
ET
HR
SL
SK
BG

- Не прикасайтесь к поверхностям в области глушителя и двигателя инструмента, так как эти детали нагреваются во время работы.
- Проверяйте устройство перед каждым использованием. Проверьте правильную работу всех элементов управления, включая тормоз пильной цепи. Проверьте надежность креплений, убедитесь, что все защитные приспособления и ручки правильно и надежно закреплены. Перед использованием замените поврежденные детали.
- Запрещается каким-либо образом изменять конструкцию устройства или использования детали и принадлежности, не рекомендованные производителем.

⚠ ОСТОРОЖНО

Если устройство уронили, оно издает громкий стук или начинает чрезмерно вибрировать, немедленно остановите его и проверьте на наличие повреждений или выясните причину вибрации. Любые поврежденные детали должны быть надлежащим образом отремонтированы или заменены в авторизованном сервисном центре.

- При смешивании топлива или заполняя топливный бак, не курю и держать 10 м от источника воспламенения.
- Храните и смешивайте топливо в специальных канистрах для бензина.
- Смешивайте и переливайте топливо на воздухе, вдали от искр и огня. Вытирайте разлившееся горючее. Перед запуском двигателя переместитесь на 10 метров от места заправки.
- Остановите двигатель и дайте ему остыть перед заправкой, хранением и транспортировкой устройства.
- Надлежащим образом закройте крышку топливного бака/контейнера после заправки или смешивания.

ПРЕДОСТЕРЕЖЕНИЯ ОТНОСИТЕЛЬНО БЕЗОПАСНОГО ПОЛЬЗОВАНИЯ ЦЕПНОЙ ПИЛЫ

- Всегда устанавливайте крышку на пильную шину, когда изделие не используется либо переносится или транспортируется. Это поможет уменьшить риск случайного контакта с острыми лезвиями на цепи. Переносите изделие за верхнюю ручку, при этом пильная шина должна смотреть в сторону от тела.
- Необходимо привыкнуть к новой цепной пиле, делая простые пропилы на надежно подпертом дереве. Делайте это каждый раз, когда пила некоторое время не эксплуатировалась.
- При работе с изделием в первый раз пилите бревна на козлах или на опорах.
- Убедитесь в том, что все устройства защиты, ручки и зубчатый упор должным образом установлены и находятся в хорошем состоянии.
- Лица, эксплуатирующие данное изделие, должны находиться в хорошем физическом состоянии.

Изделие имеет достаточно большой вес, поэтому оператор должен быть в хорошей физической форме. Оператор должен быть осторожным, иметь хорошее зрение, обладать подвижностью, чувством равновесия и ловкостью рук. При наличии каких-либо сомнений не эксплуатируйте изделие.

- Не становитесь на неустойчивые поверхности во время использования изделия. Это может включать, но не ограничиваясь этим, лестницы, строительные леса и деревья. Постоянно держите пилу обеими руками за рукоятки.
- Не начинайте использование инструмента, пока не расчищена рабочая зона, не обеспечена опора и не подготовлен путь отхода от падающего дерева.
- Будьте крайне осторожны при отрезании мелких сучков и веток: они могут застрять в пильной цепи и вылететь в направлении рабочего.
- При отпиливании натянутых веток будьте готовы быстро уклониться, чтобы не попасть под удар, когда волокна будут перепилены.
- Остерегайтесь выхлопных газов, испарений масла и опилок. При необходимости надевайте маску или респиратор.
- Не допускается пиление вьющихся растений и/или молодого подлеска (диаметром менее 75 мм).
- При работе всегда держите цепную пилу обеими руками. Крепко держите бензопилу, обхватив рукоятки пальцами. Правой рукой нужно держать заднюю рукоятку, а левой рукой – переднюю рукоятку.
- Перед запуском мотора убедитесь, что пильная цепь ничего не касается. Всегда запускайте изделие со включенным тормозом пильной цепи (нажат полностью вперед).
- Запрещается каким-либо образом изменять конструкцию изделия или использовать насадки или устройства, не рекомендованные производителем вашего изделия.
- Рядом с оператором должна находиться аптечка первой помощи, содержащая крупные перевязочные материалы и сигнальные средства (например, свисток). В пределах досягаемости должен находиться большой, более полный комплект.
- Оператор может снять шлем, если нет опасности падения предметов в рабочей зоне, но должен помнить о том, что шлем, особенно с сетчатым козырьком, снижает опасность травмирования лица и головы при отскоке.
- Неправильно натянутая цепь может выскочить из пильной шины и нанести тяжкие телесные повреждения, вплоть до смертельного исхода. Длина цепи зависит от температуры и износа цепи. Регулярно проверяйте натяжение.
- Содержите ручки в сухом и чистом виде, очищайте их от масла и смазки. Если на ручки попало смазка и масло, они становятся скользкими, вызывая потерю контроля.
- Для снижения риска получения травмы, связанной с касанием движущихся частей, всегда выключайте



двигатель, включите тормоз пильной шины, снимите провод свечи зажигания и убедитесь, что все движущиеся части остановились перед выполнением следующих операций:

- очистка или устранение засора
 - Оставление изделия без присмотра
 - установка и снятие насадок
 - проверка, техобслуживание и эксплуатация устройства
- Размеры рабочей зоны зависят от вида работ и размеров дерева. Например, валка дерева требует большей рабочей зоны, чем другие виды пиления – раскряжевка и т.д. Оператор должен знать и контролировать все, что происходит в этой рабочей зоне.
 - Не располагайте ваше тело на одной линии с пильной шиной и цепью. Если действительно произойдет отскок, то это поможет предотвратить соприкосновение цепи с головой или телом.
 - Не перемещайте пилу вперед-назад, дайте цепи свободно работать. Поддерживайте цепь точечной и не пытайтесь протолкнуть цепь через пропил.
 - Не нажимайте на бензопилу в конце распиловки. Будьте готовы принять вес пилы, когда пиление в древесине закончится. Невыполнение данного требования может привести к получению серьезной травмы.
 - Не останавливайте пилу в процессе пиления. Не выключайте пилу, пока она не выйдет из пропила.

Индивидуальные средства защиты

Высококачественные индивидуальные средства защиты, используемые профессионалами, снижают опасность получения оператором телесных повреждений. При эксплуатации цепной пилы должны использоваться следующие средства:

Каска

- должна соответствовать EN 397 и иметь маркировку CE

Устройства защиты слуха

- должна соответствовать EN 352-1 и иметь маркировку CE

Средства защиты органов зрения и слуха

- должны иметь маркировку CE и соответствовать EN 166 (для бесосколочных стекол) или 1731 EN (для сетчатых козырьков)

Перчатки

- должна соответствовать EN 397 и иметь маркировку CE

Защита ног (защитные гетры)

- должны соответствовать EN381-5, иметь маркировку CE и обеспечивать полную защиту.

Защитная обувь

- должна соответствовать EN ISO 20345:2004 и быть маркирована знаком, изображающим цепную пилу, что указывает на соответствие EN 381-3. (Непостоянные пользователи могут использовать защитную обувь со стальным

носком и защитными гетрами, которые соответствуют EN 381-9, если поверхность грунта ровная и опасность потери сцепления или захвата подраста невелика)

Куртка для работы с цепной пилой, для защиты верхней части тела

- должна соответствовать EN 381-11 и иметь маркировку CE

СБОРКА

▲ ОСТОРОЖНО

Если любые части повреждены, или отсутствуют не использовать это изделие, пока части не заменены. Пренебрежение данным предупреждением может привести к тяжкому телесному повреждению.

СБОРКА ПИЛЬНОЙ ЦЕПИ И ПИЛЬНОЙ ШИНЫ

См. стр. 273, Рис. 5 - 8.

1. Остановите устройство. Надевайте защитные перчатки.
2. Отключите тормоз пильной цепи.
3. Отверните ручку фиксации пильной шины и снимите крышку цепного колеса.
4. Прикрепите пильную шину и узел натяжения цепи к цепной пиле. Опустите пильную шину, чтобы болт проходил через отверстие в пильной шине и узле натяжения цепи.
5. Пильная цепь должна быть обращена в направлении вращения цепи. Если они смотрят в другую сторону, переверните пильную цепь.
6. Наденьте петлю на ведущую звездочку. Поместите звенья привода цепи в паз шины. При необходимости поверните узел натяжения цепи и несколько натяните цепь, чтобы она держалась на месте.
7. Установите на место крышку цепного колеса.
8. Регулировка натяжения цепи. См. раздел «Регулировка натяжения цепи».

РЕГУЛИРОВКА НАТЯЖЕНИЯ ЦЕПИ

См. стр. 286.

1. Слегка ослабьте ручку фиксации пильной шины, вращая ее против часовой стрелки.
2. Чтобы увеличить натяжение цепи, поворачивайте кольцо регулировки натяжного устройства цепи по часовой стрелке и часто проверяйте натяжение цепи. Чтобы уменьшить натяжение цепи, поворачивайте кольцо регулировки натяжного устройства цепи против часовой стрелки и часто проверяйте натяжение цепи.
3. Натяжение цепи правильное, если зазор между зубом цепи и шиной составляет 3-4 мм. Вытяните цепь вниз в середине нижней стороны шины (от шины) и измерьте расстояние между шиной и зубьями цепи.
4. Затяните ручку фиксации пильной шины, вращая ее по часовой стрелке.

ПРИМЕЧАНИЕ: Температура цепи возрастает при нормальной работе, вызывая растяжение цепи.



Регулярно проверяйте натяжение цепи и при необходимости подтягивайте ее. Если цепь натянута горячей, она может зажаться остывнув. Натяжение цепи регулируйте в соответствии с данными указаниями.

ЭКСПЛУАТАЦИЯ ИЗДЕЛИЯ

ТОПЛИВО И ЗАПРАВКА БАКА

Безопасное обращение с топливом

▲ ОСТОРОЖНО

Всегда глушите двигатель перед заправкой. Никогда не заправляйте инструмент с работающим или горячим мотором. После заправки бака отойдите не менее чем на 10 м от места заправки, прежде чем запустить мотор. Не курите! Несоблюдение этого предупреждения может повлечь тяжелые травмы.

▲ ОСТОРОЖНО

Проверьте, чтобы топливо не текло из инструмента. При нахождении протечек, устраните их перед использованием устройства для предотвращения воспламенения или получения ожогов.

- Всегда соблюдайте осторожность при обращении с топливом; оно крайне огнеопасно.
- Всегда заливайте топливо вне помещения вдали от потенциальных источников огня, не вдыхайте пары топлива.
- Избегайте контакта бензина или масла с кожей. В случае попадания на кожу немедленно промойте этот участок водой с мылом.
- Особенно остерегайтесь попадания бензина или масла в глаза. Если бензин или масло попали в глаза, немедленно промойте их частой водой. Если раздражение после этого не прошло, немедленно обратитесь ко врачу.

Топливная смесь

- Мотор инструмента – двухтактный, он работает на смеси бензина и синтетического масла для двухтактных двигателей (пропорция 2%). Смешивайте неэтилированный бензин с маслом для двухтактных двигателей в чистой стандартной канистре для бензина.
- Мотор работает на автомобильном неэтилированном бензине с октановым числом 91 или выше.
- Не пользуйтесь топливной смесью, приготовленной на бензоколонках для мопедов и мотороллеров. Сюда входит смесь бензина и масла, используемая в мопедах, мотоциклах и т.п.
- Используйте высокого качества 2-циклическую само-смешивающуюся смазку для воздушно-охлаждающихся двигателей. Не используйте автомобильную смазку или 2-циклическую наружную смазку

- В топливной смеси должно 2% масла и 98% бензина. Пропорция 1:50.
- Хорошо смешивайте топливо перед каждой заправкой.
- Смешивайте топливо в небольших количествах: не более чем на месяц работы. Рекомендуется моторное масло со стабилизатором топлива для 2-тактных двигателей.

ПРИМЕЧАНИЕ: Повреждение топливной системы или проблемы выполнения, следующие из использования окисленного топлива, содержащего больше, чем проценты от заявленных предварительно

Заполнение топливного бака

См. стр. 273.

- Во избежание засорения топлива протрите бак вокруг крышки.
- Медленно ослабьте крышку топливного бака.
- Осторожно залейте топливную смесь в бак. Старайтесь не проливать ее.
- Прежде чем завинчивать крышку, проверьте состояние прокладки.
- Наденьте крышку на горловину и крепко завинтите ее. Вытирайте разлившееся горючее.

ПРИМЕЧАНИЕ: Это нормально для двигателя дым во время и после первого использования.

СМАЗКА ЦЕПИ СМАЗОЧНЫМ МАСЛОМ

См. стр. 273.

▲ ОСТОРОЖНО

Никогда не работайте без смазки цепи. При использовании цепи пилы без смазки пыльная шина и цепь пилы могут получить повреждения. Поэтому важно регулярно проверять уровень масла по указателю уровня масла и каждый раз перед началом использования цепной пилы.

1. Протрите поверхность около масляного колпачка во избежание загрязнения.
2. Открутите и снимите крышку с масляного бака.
3. Залейте масло в масляный бак и проверьте указатель уровня масла. При заливке масла не допускайте попадания грязи в масляный бак.
4. Поставьте масляный колпачок на место и заверните его. Вытрите все подтеки.
5. Один полный масляный бак позволяет эксплуатировать пилу в течение 20 - 40 минут.

ПРИМЕЧАНИЕ: При нормальном функционировании цепи и пыльной шины обычно происходит нанесение масла на цепь системой смазки во время эксплуатации изделия. Чтобы проверить работу системы смазки цепи и пыльной шины, направьте кончик цепи на светлую поверхность, например, на газету. Вскоре должна появиться заметная линия выбрызгиваемого масла.

Рекомендуемое смазочное масло цепи

- Производитель рекомендует использовать смазочное масло для цепной пилы только марки Ryobi. (имеется в авторизованном сервисном

центре).

ЗАПУСК ИЗДЕЛИЯ

Способ запуска зависит от степени прогрева двигателя.

⚠ ОСТОРОЖНО

Стойте слева от шины. Никогда не ставьте бензопилу или пильную цепь на колени, не наклоняйтесь поперек траектории пильной цепи.

- Размещайте изделие на ровной поверхности и убедитесь, что вблизи нет посторонних предметов или препятствий, за которые может зацепиться пильная шина и цепь.
- Крепко возьмитесь за переднюю рукоятку левой рукой и наступите правой ногой на основание задней рукоятки.

ПРИМЕЧАНИЕ: В соответствии с инструкцией по запуску в положении START рычажка дросселя заслонка дросселя готова к запуску. Для повторной установки заслонки дросселя в положение RUN нажмите и отпустите рычажок заслонки дросселя.

Запуск холодного двигателя.

См. стр. 272 - 273.

1. Поверните ключ зажигания в положение «включено».
2. Потянув вперед рычаг с защитным экраном, убедитесь, что цепной тормоз находится в положении BRAKE.
3. Подкачайте подсос 10 раз.
4. Вытяните рычажок дросселя до положения START (ПУСК).
5. Когда температура - выше 10°C, потянуть рычаг стартера, пока двигатель не попытается запуститься, но не больше, чем 3 раза. Когда температура - ниже 10°C, потянуть рычаг стартера, пока двигатель не попытается запуститься но не больше, чем 5 раз.
6. Установите рычаг управления воздушной заслонкой в наполовину закрытое положение. Держайте за ручку стартера, пока двигатель не запустится.
7. Нажмите кнопку запуска и рычажок газа, затем отпустите рычажок газа, чтобы двигатель работал на холостом ходу.
8. Дайте изделию поработать 15-30 секунд.
9. Перед запуском двигателя или резкой древесины убедитесь в том, что тормоз пильной шины находится в положении «Работа», потянув рычаг тормоза/устройства защиты рук.

⚠ ПРЕДОСТЕРЕЖЕНИЕ

Если не отпустить курок, чтобы замедлить мотор, когда тормоз цепи заблокирован, - можно испортить мотор. Никогда не нажимайте на курок, когда тормоз цепи заблокирован.

Запуск прогретого двигателя.

См. стр. 281.

1. Поверните ключ зажигания в положение

«включено».

2. Потянув вперед рычаг с защитным экраном, убедитесь, что цепной тормоз находится в положении BRAKE.
3. Нажмите 10 раз кнопку подсоса.
4. Потяните рычаг управления воздушной заслонкой до положения "START" (Запуск), а затем толкните его обратно в положение "RUN" (Работа).
5. Потяните ручку стартера, пока двигатель не заработает, но не более 5 раз. Нажмите кнопку запуска и рычажок газа, затем отпустите рычажок газа, чтобы двигатель работал на холостом ходу. Если двигатель не запускается после 5 попыток, используйте процедуру холодного запуска двигателя.
6. Перед запуском двигателя или резкой древесины убедитесь в том, что тормоз пильной шины находится в положении «Работа», потянув рычаг тормоза/устройства защиты рук.

ПЕРЕКЛЮЧЕНИЕ МЕЖДУ РАБОЧИМИ РЕЖИМАМИ

См. стр. 287.

В изделии имеется режим подогрева, который предотвращает образование льда внутри карбюратора во время работы при температуре ≤5°C.

Вентиляционный люк на правой стороне крышки воздушного фильтра может быть смещен, чтобы теплый воздух мог поступать в двигатель, не допуская образования льда внутри карбюратора.

⚠ ОСТОРОЖНО

Если не переключиться из нормального режима в режим подогрева при температуре ≤5°C, то произойдет снижение выходной мощности двигателя или отказ двигателя.

Не забывайте переключаться в обычный рабочий режим, когда нет риска образования льда внутри карбюратора. Если не переключиться из режима подогрева в нормальный режим при нормальной температуре, то может произойти отказ двигателя.

ОСТАНОВКА МОТОРА

Отпустите курок акселератора и дайте мотору сбавить обороты. Чтобы остановить мотор поставьте выключатель на "O", в положение ВЫКЛ. Не кладите бензопилу на землю, пока цепь вращается. Для большей безопасности в нерабочее время блокируйте тормоз пильной цепи.

Если бензопилу нельзя выключить выключателем, полностью вытяните рычаг запуска и заблокируйте тормоз пильной цепи, чтобы остановить мотор. Если выключатель не останавливает мотор в положении "O", во избежание работы в опасных условиях и риска тяжелых травм, отремонтируйте его, прежде чем продолжить пользоваться бензопилой.

ПРИМЕЧАНИЕ: По окончании использования изделия всегда сбрасывайте давление в баке, открыв, а затем вновь затянув крышки бака смазки цепи и топливного бака. Перед укладкой бензопилы на хранение дайте мотору остыть.

EN
FR
DE
ES
IT
NL
PT
DA
SV
FI
NO
RU
PL
CS
HU
RO
LV
LT
ET
HR
SL
SK
BG

ОБРАЩЕНИЕ С ИЗДЕЛИЕМ

См. стр. 273.

Всегда держите пилу правой рукой за заднюю рукоятку, а левой рукой – за переднюю рукоятку. Обхватите обе рукоятки, используя большой и остальные пальцы рук. Большой палец левой руки, удерживающей переднюю рукоятку, должен располагаться снизу.

ПРОВЕРКА И ИСПОЛЬЗОВАНИЕ ТОРМОЗА ЦЕПИ

1. Включите тормоз пильной цепи, вращая левую руку вокруг передней рукоятки. При быстром вращении цепи тыльной стороной кисти толкните рычаг тормоза пильной цепи/устройство защиты рук к шине. Постоянно держите изделие обеими руками за ручки.
2. Верните тормоз пильной цепи в рабочее положение, взявшись за верх рычага тормоза пильной цепи/устройства защиты рук и потянув его к передней рукоятке до щелчка.

⚠ ОСТОРОЖНО

Если тормоз цепи не останавливает цепь немедленно, или если тормоз цепи не будет оставаться в управляемом положении без помощи, отнесите пилу в авторизованный центр обслуживания для ремонта до использования.

⚠ ОСТОРОЖНО

Когда кнопка запуска отпущена, и двигатель работает на холостом ходу, пильная цепь должна быть неподвижна. Если она продолжает двигаться, это может привести к тяжелой травме оператора. Не используйте изделие, обратитесь для ремонта в авторизованный сервисный центр.

ПРОВЕРКА МУФТЫ

1. Отключите тормоз пильной цепи, потянув рычага тормоза пильной цепи/устройства защиты рук к передней ручке до щелчка.
2. Дайте двигателю поработать на холостых оборотах. Убедитесь, что пильная цепь не вращается. Если цепь пилы вращается при работе на холостом ходу, сцепление может быть повреждено. Не эксплуатируйте устройство. Обратитесь для ремонта в авторизованный сервисный центр.
3. Нажмите рычажок газа наполовину и запустите изделие на средней скорости. Пильная цепь должна вращаться плавно, если муфта находится в хорошем рабочем состоянии.

Причины отскоков и меры защиты оператора от них

Если носок шины натолкнется на препятствие или пильная цепь зажмется в дереве во время работы, бензопила может отскочить.

Контакт с вершиной в некоторых случаях может вызвать внезапную отдачу, которая отбрасывает пильную шину вверх и назад в направлении оператора.

Заклинивание цепной пилы в верхней части направляющей может привести к отскоку в направлении

оператора.

Любая из этих реакций может привести к потере управления устройством, что может привести к серьезным травмам. Не надейтесь только на средства безопасности самой бензопилы. Во избежание несчастных случаев и травм, необходимо принимать различные меры предосторожности.

Отскок является результатом неправильного использования инструмента и/или нарушений правил или условий его эксплуатации. Этого следует избегать, соблюдая указанные ниже меры предосторожности.

- **Поддерживайте надежный захват так, чтобы большие пальцы (с одной стороны) и остальные пальцы (с другой стороны) крепко охватывали рукоятки цепной пилы, держите пилу обеими руками, располагайте тело и руки таким образом, чтобы противостоять усилию отскока.** Оператор может справиться с усилием отскока, если предприняты надлежащие меры предосторожности. Не выпускайте пилу из рук.
- **Не перенапрягайтесь и не пилите выше уровня плеч.** Это поможет избежать непреднамеренного касания пилы и позволит лучше управлять цепной пилой в непредвиденных ситуациях.
- **Используйте запасные шины и цепи, только указанные производителем.** Ненадлежащие запасные шины и цепи могут привести к обрыву цепи и/или отскоку.
- **Следуйте инструкциям производителя по техническому обслуживанию пильной цепи.** Уменьшение высоты ограничителя подачи может привести к увеличению отдачи.

ВОЗВРАТНО-ПОСТУПАТЕЛЬНАЯ ТЯГА

См. стр. 279.

Рабочая тяга всегда противоположна направлению движения пильной цепи. Поэтому оператор должен быть готов противостоять тенденции инструмента к вытягиванию наружу (движение вперед) при пилении нижним краем шины и толчку назад (к оператору) при пилении верхним краем.

ПИЛУ ЗАКЛИНИЛО В ПРОПИЛЕ

Остановите цепную пилу и обеспечьте ее безопасное состояние. Не пытайтесь с излишним усилием вынуть цепь и шину из пропила, так как при этом цепь может порваться, отлететь назад и ударить оператора. Такая ситуация обычно возникает из-за того, что дерево неправильно поддерживается и сдвигает пропил, заставляя его закрыться, таким образом защемляя зубья пилы. Если регулировкой подпоры не удастся освободить шину и цепь, используйте для расширения пропила и освобождения изделия деревянные клинья или рычаг. Никогда не запускайте цепную пилу, если пильная шина находится в пропиле.

ИНСТРУКЦИИ ПО ПРАВИЛЬНЫМ СПОСОБАМ ОСНОВНОЙ ВАЛКИ, ОБРЕЗАНИЯ СУЧЬЕВ И ПОПЕРЕЧНОГО ПИЛЕНИЯ

Описание сил, действующих в древесине

Когда вы представляете себе направление давлений и напряжений в древесине, можно устранить возникновение защемлений или, по крайней мере, ожидать их в процессе пиления. Натяжение в древесине приводит к тому, что слои растягиваются и, если пилить эту область, то пропил будет стремиться расходиться по мере прохождения пилы. Если бревно лежит на козлах для пилки дров, а конец свисает без опоры, то напряжение создается на верхней поверхности из-за веса свисающего конца бревна, растягивающего слои древесины. Аналогично, нижняя сторона бревна будет под давлением, и слои древесины сжимаются. Если пропил будет делаться в этой области, то он будет стремиться замкнуться во время пиления. Это приводит к защемлению зубьев пилы.

Валка деревьев

См. стр. 277 - 278.

Если работы по раскряжкевке и валке выполняются несколькими лицами одновременно, работы по валке должны быть удалены от работ по раскряжкевке на расстояние не менее чем две высоты валомого дерева. Валка деревьев не должна производиться способом, представляющим опасность для любого лица, а также вызывающим повреждение линий электропередачи или наносящим материальный ущерб. Если произойдет контакт дерева с какой-либо линией электропередачи, следует немедленно известить об этом соответствующую энергетическую компанию.

При валке на косогоре стойте всегда выше дерева, т.к. после падения оно может покатиться вниз.

Путь отхода должен быть продуман и, при необходимости, расчищен до начала пиления. Путь отхода должен идти назад и вбок относительно ожидаемого направления падения.

Перед началом валки определите естественный наклон дерева, расположение крупных ветвей и направление ветра, чтобы оценить предположительный путь падения дерева.

Удалите с дерева грязь, камни, отставшую кору, гвозди, скобы и провода.

Не производите валку гнилых деревьев, деревьев, поврежденных ветром, огнем, молнией и т.п. Это чрезвычайно опасно и должно выполняться только профессиональными рабочими по уходу за деревьями.

- Валочный пропил
См. стр. 277 - 278.

Сделайте так называемый обратный пропил на 1/3 от диаметра дерева перпендикулярно к направлению падения и с той же стороны. Сначала сделайте нижний горизонтальный обратный пропил. Это поможет предотвратить защемление пильной цепи или шины при выполнении второго пропила.

- Валочный пропил
См. стр. 277 - 278.

Сделайте валочный пропил выше горизонтального обратного пропила минимум на 50 мм. Поддерживайте валочный пропил параллельным горизонтальному обратному пропилу. Сделайте валочный пропил таким образом, чтобы осталось достаточно древесины для перемычки. Перемычка на дереве предотвращает вращение дерева и обеспечивает падение в нужном направлении. Не перегибайте перемычку.

Как только валочный пропил дойдет до перемычки, дерево должно начать падать. Если существует возможность того, что дерево не упадет в нужном направлении или отклонится назад и зажмет пильную цепь, прекратите пиление до завершения валочного пропила и используйте деревянные, пластиковые или алюминиевые клинья, чтобы разжать пропил и наклонить дерево в нужную сторону падения.

Когда дерево начнет падать, выньте цепную пилу из пропила, остановите двигатель, отложите цепную пилу, а затем воспользуйтесь подготовленным путем отхода. Остерегайтесь падения ветвей сверху и следите за своей опорой.

Обрезание несущих корней

См. стр. 278.

Несущие корни - это крупные корни, отходящие от ствола к земле. Обрезайте эти корни перед валкой дерева. Сделайте сначала горизонтальный разрез (A) в корне, затем вертикальный (B). Удалите вырезанную часть (C) из рабочей зоны. Удалив несущие корни, приступайте к валке дерева.

Раскряжевка бревен

См. стр. 279.

Раскряжевка - это распиловка бревна по длине. Необходимо обеспечить устойчивую опору и равномерное распределение веса на обе ноги. По возможности, бревно нужно поднять и подпереть с помощью ветвей, бревен или деревянных чурок. Соблюдайте простые правила для облегчения пиления. Если бревно подперто по всей длине, оно пилится сверху (надпил).

Если бревно подперто с одного конца, пропилите 1/3 диаметра снизу (подпил). Затем завершите пиление, сделав надпил до встречи с первым пропилом.

Если бревно поддерживается с обоих концов, пропилите 1/3 диаметра сверху (надпил). Затем завершите пиление, сделав подпил на 2/3 снизу до встречи с первым пропилом.

Если раскряжевка выполняется на склоне, следует всегда находиться на верхней по склону стороне бревна. При сквозном пропиливании, чтобы сохранить полный контроль до конца, ослабьте давление на пилу при приближении к концу пропила, не ослабляя захват рукояток цепной пилы. Не допускайте контакта цепи с землей. После завершения пиления подождите, пока цепь пилы остановится, прежде чем переменить цепную пилу. Всегда останавливайте двигатель, прежде чем перейти от дерева к дереву.

Сучкование дерева

См. стр. 280.

Сучкование – это удаление сучьев с поваленного дерева. При сучковании, не обрезайте первыми крупные нижние ветви, чтобы они поддерживали дерево над землей. Срезайте небольшие ветки за один проход. Напряженные ветви следует пилить снизу вверх, во избежание заклинивания цепной пилы.

Пиление напряженных стволов

См. стр. 280.

Хлыст (А) - это ветка, выкорчеванный корень или куст, натянутый под давлением другим деревом. Хлыст может резко выпрямиться, если отрезать держащее его дерево.

Пень поваленного дерева часто возвращается в вертикальное положение, когда ствол отрезают от него до конца. Будьте осторожны! Хлысты опасны. Не пытайтесь срезать изогнутые ветки или пни, которые находятся под напряжением, если вы не имеете профессиональной подготовки и навыков.

ТРАНСПОРТИРОВКА И ХРАНЕНИЕ

- Остановите двигатель, включите тормоз, отключите тормоз пильной цепи, отсоедините провод свечи зажигания и дайте ему остыть перед постановкой на хранение или транспортировкой.
- Очистите устройство от всех посторонних материалов.
- Слейте все топливо из бака в канистру для бензина. Надлежащим образом установите и затяните крышку контейнера смешивания топлива.
- Дайте мотору поработать, пока он сам не остановится. Это позволяет полностью выгнать оставшееся топливо, чтобы оно не оставило липкого осадка в системе.
- Слейте все масло для шины и цепи в канистру для масла. Надлежащим образом установите и затяните крышку масляного бака цепи.
- Перед хранением или транспортировкой изделия надевайте крышку на пильную шину.
- Храните его в прохладном, сухом, хорошо проветриваемом и недоступном для детей месте. Не держите бензопилу рядом с коррозионными веществами, такими как садовые химикаты или размораживающая соль. Не храните на открытом воздухе.
- При переноске изделия на короткие расстояния (от одной рабочей зоны к другой) всегда включайте тормоз цепи так, чтобы пильная цепь не могла перемещаться.
- При транспортировке закрепите изделие так, чтобы оно не могло перемещаться или упасть во избежание травмирования персонала или повреждения изделия.
- Ни в коем случае не перемещайте устройство при работающем двигателе.

Соблюдайте государственные и местные нормы хранения топлива. Слитое топливо можно использовать

в других инструментах с двухтактным мотором.

ТЕХНИЧЕСКОЕ ОБСЛУЖИВАНИЕ

Всегда держите изделие в хорошем рабочем состоянии.

⚠ ОСТОРОЖНО

Используйте только оригинальные запчасти, аксессуары и насадки от производителя. Невыполнение этого требования может привести к травме, к снижению производительности и к аннулированию гарантии.

⚠ ОСТОРОЖНО

Обслуживание требует чрезвычайной заботы и знания и должно быть выполнено только квалифицированным техником обслуживания. Обратитесь в авторизованный сервисный центр для обслуживания и ремонта. При обслуживании использовать только идентичные сменные части.

⚠ ОСТОРОЖНО

Остановите двигатель, включите тормоз, отключите тормоз пильной цепи, отсоедините провод свечи зажигания перед проверкой, очисткой и техобслуживанием изделия. Несоблюдение настоящих правил техники безопасности ведет к тяжелым травмам и крупному материальному ущербу.

- Вы можете также выполнить другие виды регулировки и ремонтные работы, описанные в данном руководстве. По вопросу ремонта обращайтесь в авторизованный сервисный центр.
- Следствием неправильного технического обслуживания может быть неверная работа тормоза пильной цепи и других средств безопасности, что повышает опасность причинения тяжелых телесных повреждений. Поддерживайте цепную пилу в безопасном состоянии и выполняйте профессиональное техобслуживание.
- Безопасная отточка цепи - задача, требующая навыка. Таким образом, производитель строго рекомендует производить замену изношенной и тупой цепи на новую, которую можно получить в авторизованном сервисном центре. Номер детали доступен в таблице спецификаций изделия в руководстве.
- Соблюдайте инструкции по смазке, проверке натяжения цепи и регулировке.
- После каждого использования протирайте изделие мягкой сухой тканью.
- Проверить все болты, задвижки, и винты, через короткие интервалы, на надлежащую плотность, чтобы убедиться, что изделие находится в безопасном, рабочем состоянии. В случае повреждения какой-либо детали необходимо

обратиться в авторизованный сервисный центр для выполнения надлежащего ремонта или замены.

ЗАМЕНА ПИЛЬНОЙ ШИНЫ И ЦЕПИ

См. стр. 282 - 285.

1. Остановите устройство. Надевайте защитные перчатки.
2. Отключите тормоз пильной цепи.
3. Отверните ручку фиксации пильной шины и снимите крышку цепного колеса.
4. Снимите шину и цепь с устройства.
5. Очистите нижнюю часть звездочки.
6. Чтобы заменить шину на новую, ослабьте винт узла натяжения цепи. Соберите узел натяжения цепи на новой шине и затяните гайку.
7. Прикрепите пильную шину и узел натяжения цепи к цепной пиле. Опустите пильную шину, чтобы болт проходил через отверстие в пильной шине и узле натяжения цепи.
8. Пильная цепь должна быть обращена в направлении вращения цепи. Если они смотрят в другую сторону, переверните пильную цепь.
9. Наденьте петлю на ведущую звездочку. Поместите звенья привода цепи в паз шины. При необходимости поверните узел натяжения цепи и несколько натяните цепь, чтобы она держалась на месте.
10. Установите на место крышку цепного колеса.
11. Регулировка натяжения цепи. См. раздел «Регулировка натяжения цепи».

ЧИСТКА ВОЗДУШНОГО ФИЛЬТРА

См. стр. 290.

1. Остановите устройство. Убедитесь в том, что тормоз пильной шины находится в положении торможения.
2. Открутите ручку фиксации на крышке воздушного фильтра и снимите ее с изделия.
3. Снимите воздушный фильтр.
4. Удалите щеткой пыль и грязь с воздушного фильтра. Если необходимо, разделите воздушный фильтр плоской отверткой и почистите его внутри.
5. Установите крышку воздушного фильтра и затяните ручку фиксации.

ОЧИСТКА ИСКРОГАСИТЕЛЯ

См. стр. 291.

⚠ ОСТОРОЖНО

Глушитель горячий во время и сразу после эксплуатации изделия. Во избежание серьезной травмы следите за тем, чтобы глушитель находился подальше от тела.

1. Остановите устройство. Убедитесь в том, что тормоз пильной шины находится в положении торможения. Дайте глушителю остыть.
2. Удалите винт, крепящий крышку глушителя к зубчатому упору, затем снимите две гайки с крышки глушителя.
3. Снимите крышку глушителя.
4. Извлеките искрогаситель. Очистите щиток искрогасителя небольшой проволочной щеткой.

5. Установите крышку глушителя, чтобы установить крышку глушителя, повторите эти действия в обратном порядке.

⚠ ОСТОРОЖНО

Зубчатый упор – это элемент безопасности изделия. Закрепите его надлежащим винтом после установки крышки глушителя. Несоблюдение этого правила может привести к серьезным травмам или летальному исходу.

ОСМОТР И ОЧИСТКА ТОРМОЗА ПИЛЬНОЙ ЦЕПИ

См. стр. 294.

- Всегда содержите в чистоте механизм тормоза пильной цепи, бережно очищая соединения от грязи и щетки.
- После очистки всегда проверяйте работу тормоза пильной цепи.
- См. выше раздел «Эксплуатация – Проверка и использование тормоза пильной шины» для получения дополнительной информации.

РЕГУЛИРОВКА ЧИСЛА ОБОРОТОВ ДВИГАТЕЛЯ И КАРБЮРАТОРА

⚠ ОСТОРОЖНО

Неправильная регулировка карбюратора может увеличить риск травм, несчастных случаев или повреждения устройства. Обратитесь в авторизованный сервисный центр для регулировки карбюратора.

СПИСОК ОБСЛУЖИВАНИЯ

Ежедневная проверка	
Топливная смесь	Перед каждым использованием
Смазка Шины	Перед каждым использованием
Напряженность Цепи	Перед каждым использованием и регулярно
участие сцепления (цепь на холостом ходу не должна перемещаться)	Перед каждым использованием
Острота Цепи	Перед каждым использованием, визуальная проверка
На поврежденные части	Перед каждым использованием
На свободные застёжки	Перед каждым использованием

На свободные части	Перед каждым использованием
Цепной тормоз	Перед каждым использованием
Утечки топлива	Перед каждым использованием

ОСМОТР И ЧИСТКА

Шина	Перед каждым использованием
Целостность пилы	после каждого использования
Воздушный фильтр	Каждые 5 часов*
Тормоз цепи	Каждые 5 часов*
Замена топливного фильтра	Ежегодно
Замена топливного фильтра	Ежегодно

*Часы Действия

БУДЬТЕ ВСЕГДА ОСТОРОЖНЫ

Даже когда изделие используют согласно инструкциям, невозможно полностью устранить факторы риска. При эксплуатации могут возникнуть следующие ситуации, которым пользователь должен уделять особое внимание, чтобы избежать проблем:

- Травмы, вызываемые вибрацией. Применяйте инструмент только по своему назначению, используйте надлежащие ручки и соблюдайте рабочий режим.
- Воздействие шума может привести к повреждению слуха. Носите устройства защиты слуха и ограничивайте продолжительность шумового воздействия.
- Контакт с открытыми зубьями пильной цепи (опасность получения порезов).
- Внезапное резкое движение или отскок пильной шины (опасность порезов).
- Части, выброшенные из пильной цепи (опасность порезов и проникающих травм).
- Отбрасываемые части обрабатываемой древесины (древесная стружка, щепы и т.п.).
- Вдыхание пыли и опилок или выхлопных газов бензинового двигателя.
- Попадание бензина или масла на кожные покровы.

СНИЖЕНИЕ РИСКА

Считается, что вибрация ручного инструмента может привести к проявлению у отдельных лиц так называемой болезни Рейно (Raynaud's Syndrome). К симптомам могут относиться покалывание, онемение и побеление пальцев (как при переохлаждении). Считают, что наследственные факторы, охлаждение и влажность, диета, курение и практический опыт способствуют развитию этих симптомов. Ниже приводятся меры, которые может принять оператор для снижения воздействия вибрации:

- Одевайтесь теплее в холодную погоду. При эксплуатации изделия носите перчатки, чтобы сохранить руки и запястья в тепле. Считается, что холодная погода является основным фактором, способствующим возникновению болезни Рейно (Raynaud's Syndrome).
- После каждого этапа работы выполните упражнения для усиления кровообращения.
- Чаще делайте перерывы в работе. Сократите длительность ежедневного пребывания на открытом воздухе.
- Защитные перчатки также уменьшают воздействие вибрации ручки. Защитные перчатки также уменьшают воздействие вибрации ручки. Эти перчатки должны соответствовать EN381-7 и иметь маркировку CE.

При появлении каких-либо из указанных симптомов сразу же прекратите работу и обратитесь по их поводу к врачу.

⚠ ОСТОРОЖНО

Слишком продолжительное использование инструмента может привести к травме. При использовании инструмента в течение длительного времени делайте регулярные перерывы.

ИЗУЧИТЕ УСТРОЙСТВО

См. стр. 271.

ДЕТАЛИ

1. Пильная цепь
2. Шина
3. Передний защитный щиток тормоз пильной цепи
4. Передняя ручка
5. Крышка воздушного фильтра
6. Ручка запуска
7. Задняя ручка
8. Шип Бампера
9. Крышка глушителя
10. Крышка топливного бака
11. Крышка масляного бака
12. Выключатель запала
13. Кнопка разблокировки курка
14. Курок акселератора
15. Подсос
16. Рычаг заслонки
17. Комбинированный гаечный ключ
18. Крышка звездочки
19. Уловитель цепи
20. Кольцо регулятора натяжения цепи
21. Ручка фиксации пильной шины
22. Защитное приспособление пильной шины

УСТРОЙСТВА БЕЗОПАСНОСТИ

ПРОТИВООТСКОКОВАЯ ПИЛЬНАЯ ЦЕПЬ

Пильная цепь с низкой отдачей снижает опасность отскока.

Ограничители глубины перед каждым зубом пильной цепи могут сократить силу отскока, не давая зубьям

слишком глубоко врезаться в дерево. Используйте запасные пильные шины и цепи, только рекомендуемые производителем.

Будьте вдвойне бдительны после заточки цепи: она легче отскакивает. Для вашей безопасности производите замену цепей пилы при остановке процесса резания.

ШИП БАМПЕРА

Составной шип бампера может использоваться как центр при создании среза. Это поможет надежно удерживать корпус цепной пилы при пилении. При выполнении пиления нажимайте на инструмент от себя, пока упорные зубья не войдут в край древесины, а затем двигайте задней рукояткой вверх-вниз на линии пропила – это поможет уменьшить физическую нагрузку при пилении.

ШИНА

Как правило, у пильных шин с небольшим радиусом режущих концов вероятность отбрасывания несколько ниже. Используйте запасные пильные шины и цепи, только рекомендуемые производителем. Использование нерекондуемой пильной шины повышает опасность потери контроля во время пиления. Регулярно проверяйте натяжение цепи. При пилении небольших ветвей (короче полной длины пильной шины) цепь может соскочить, если ее натяжение установлено неправильно.

ТОРМОЗ ЦЕПИ

Этот тормоз предназначен для быстрой остановки пильной цепи. При перемещении вперед тормоз пильной цепи/защитный щиток должен немедленно останавливать цепь. Тормоз пильной цепи не предупреждает отскоков. Это только снижает опасность телесного повреждения в случае соприкосновения пильной шины с телом оператора при возникновении отскока. Тормоз пильной цепи должен проверяться перед каждым использованием на предмет правильной работы в обоих положениях – рабочем положении и положении торможения.

УЛОВИТЕЛЬ ЦЕПИ

Ограничитель цепи предотвращает выброс пильной цепи в сторону оператора, если пильная цепь ослабнет или сломается.

УСЛОВНЫЕ ОБОЗНАЧЕНИЯ НА ПРОДУКТЕ



Внимание



Внимательно прочитайте все инструкции перед началом работы с продуктом, соблюдайте все предупреждения и инструкции по безопасности.



Носите устройства защиты зрения и слуха, а также защитную каску.



При работе с данным изделием надевайте нескользящую защитную обувь.



Надевайте нескользящие перчатки для работы в тяжелых условиях.



Не забывайте о возможности отскока пильной цепи и не прикасайтесь к концу пильной шины.



Работайте бензопилой, держа ее обеими руками.



Не работайте бензопилой, держа ее одной рукой.



Настоящий инструмент отвечает всем официальным стандартам страны ЕС, в которой он был приобретен.



Пользуйтесь автомобильным неэтилированным бензином с октановым числом 91 ((R+M)/2) или выше.



Для двигателей с воздушным охлаждением используйте масло для 2-тактных двигателей.



Перед каждой заправкой тщательно перемешайте топливную смесь.



Выполняйте смазку пильной шины и цепи каждый раз, когда вы направляете изделие топливом.



Установите тормоз пильной шины в положении РАБОТА.



Установите тормоз пильной шины в положении ТОРМОЖЕНИЕ.



Поверните ключ зажигания в положение «включено».



Подкапайте подсос 10 раз .














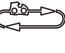





Установите рычажок дросселя в положение "FULL" (Полные обороты).



Держите за ручку запуска (не более пяти раз), пока мотор не заведется.

EN
FR
DE
ES
IT
NL
PT
DA
SV
FI
NO
RU
PL
CS
HU
RO
LV
LT
ET
HR
SL
SK
BG



-  Установите рычажок дросселя в положение "HALF" (Половина оборотов).
-  Дергайте за ручку стартера, пока двигатель не запустится.
-  Нажмите разблокировку кнопки запуска, а затем нажмите рычажок газа.
-  Знак Евразийского Соответствия
-  Гарантированный уровень звуковой мощности 112 дБ
-  Смазка пильной шины и цепи
-  Неэтилированный бензин и моторное масло для 2-тактных двигателей.
-  Положение вкл
-  Наполовину закрытое положение воздушной заслонки
-  Положение "FULL" (Полные обороты)
-  Сцепить
-  Расцепить
-  Поверните для регулировки натяжения цепи
+ = Затяните цепь
- = Ослабьте цепь
-  Направление перемещения цепи (Отмечено под цепной шестерней)
-  Обычный режим
-  Режим подогрева
-  Регулировка скорости холостого хода

- H Высокоскоростная регулировочная игла
- L Низкоскоростная регулировочная игла

УСЛОВНЫЕ ОБОЗНАЧЕНИЯ В ДАННОМ РУКОВОДСТВЕ.

-  Смешивайте и переливайте топливо на воздухе, вдали от искр и огня.
-  Не курите при приготовлении топливной смеси или заправке топливного бака.
-  Детали или принадлежности, приобретаемые отдельно
-  Отработанная электротехническая продукция должна уничтожаться вместе с бытовыми отходами. Утилизируйте, если имеется специальное техническое оборудование.
-  Примечание
-  Осторожно!
-  Надевайте средства защиты глаз и лица.
-  Надевайте защитную одежду для верхней части тела.
-  Надевайте защитную обувь.
-  Остановите устройство.
-  Заприте крышку доступа к фильтру.
-  Откройте крышку доступа к фильтру.

Следующие сигнальные слова и значения предназначены для того, чтобы объяснить уровень риска, связанного с этим изделием:

-  **ОПАСНО**
Указывает неизбежно опасную ситуацию, которая, если не избежать, кончится смертельным или серьезным ущербом.
-  **ОСТОРОЖНО**

Указывает потенциально опасную ситуацию, которая, если не избежать, может кончатся смертельным или серьезным ущербом.

⚠ ПРЕДОСТЕРЕЖЕНИЕ

Указывает потенциально опасную ситуацию, которая, если не избежать, может кончатся малым или уменьшенным ущербом.

ПРЕДОСТЕРЕЖЕНИЕ

Употребляется без предупреждающего знака
Указывает на ситуацию, которая может привести к повреждению имущества.

- EN
- FR
- DE
- ES
- IT
- NL
- PT
- DA
- SV
- FI
- NO
- RU**
- PL
- CS
- HU
- RO
- LV
- LT
- ET
- HR
- SL
- SK
- BG

Bezpieczeństwo, wydajność oraz niezawodność zostały potraktowane jako główny priorytet przy opracowywaniu Benzynowa pilarka łańcuchowa.

PRZEZNACZENIE

Produkt jest przeznaczony do użytku wyłącznie na zewnątrz pomieszczeń w dobrze wentylowanym miejscu. Ze względów bezpieczeństwa produkt musi być odpowiednio kontrolowany – należy przez cały czas trzymać go obiema rękoma.

Produkt jest przeznaczony do cięcia gałęzi, pni, kłód i belek o średnicy określonej przez długość cięcia prowadnicy. Może być używana wyłącznie do cięcia drewna. Produkt może być używany wyłącznie do zastosowań domowych przez osoby dorosłe, które zostały odpowiednio przeszkolone w zakresie zagrożeń i środków/działań zaradczych, które należy podjąć w trakcie używania urządzenia.

Nie wolno używać produktu do jakiegokolwiek celu, który nie jest wyszczególniony powyżej. Produkt nie jest przeznaczony do zawodowej ścinki drzewa. Produkt nie może być używany przez dzieci lub osoby, które nie noszą odpowiednich środków ochrony osobistej oraz odzieży ochronnej.

⚠ OSTRZEŻENIE

Podczas używania tego urządzenia należy przestrzegać odpowiednich zasad bezpieczeństwa. Ze względu na bezpieczeństwo użytkownika oraz osób postronnych, użytkownik musi w pełni zrozumieć te instrukcje przed rozpoczęciem używania produktu. Użytkownik powinien wziąć udział w profesjonalnie zorganizowanym kursie dotyczącym bezpiecznego użytkowania, działań zaradczych, pierwszej pomocy oraz konserwacji pilarki łańcuchowej. Niniejszą instrukcję należy przechowywać w bezpiecznym miejscu do późniejszego użytku.

⚠ OSTRZEŻENIE

Pilarki łańcuchowe są potencjalnie niebezpiecznymi narzędziami. Wypadki związane z użyciem pilarek łańcuchowych często skutkują utratą kończyn lub śmiercią. Nie tylko pilarka łańcuchowa jest niebezpieczna. Spadające konary i gałęzie, przewracające się drzewa lub staczające się kłody mogą stanowić śmiertelne niebezpieczeństwo. Spróchniałe drewno stanowi dodatkowe zagrożenie. Należy ocenić możliwość bezpiecznego wykonania zadania. W przypadku wątpliwości należy zwrócić się o pomoc do zawodowego drwala.

OGÓLNE OSTRZEŻENIA DOTYCZĄCE

- W niektórych regionach obowiązują przepisy ograniczające używanie produktu. Informacje na ten temat można uzyskać w lokalnych urzędach.
- Nie wolno zezwalać ani dzieciom, ani osobom dorosłym nie zaznajomionym z tym podręcznikiem na obsługę tego produktu. Przepisy lokalne mogą ograniczać dopuszczalny wiek operatora.

- Przed użyciem należy sprawdzić, czy wszystkie przyrządy sterowania oraz zabezpieczenia działają prawidłowo. Nie należy używać produktu, jeśli wyłącznik („off”) nie umożliwi wyłączenia silnika.
- Nie wolno uruchamiać silnika w zamkniętych ani słabo wentylowanych pomieszczeniach; wdychanie spalin zagraża życiu.
- Należy wyczyścić miejsce pracy przed każdym użyciem, nieuporządkowane i niewyczyszczone miejsce pracy zwiększa ryzyko wypadku.
- Podczas pracy z produktem należy nosić pełne zabezpieczenie oczu i uszu, mocne i wytrzymałe rękawice, obuwie ochronne z antypoślizgowymi podeszwami oraz kask ochronny. W przypadku dużego zapylenia zakładać maskę na twarz.
- Nie należy nosić luźnego ubrania, krótkich spodenek ani żadnej biżuterii.
- Długie włosy należy związać, aby znajdowały się powyżej ramion i aby nie zostały pochwycone przez maszynę.
- Należy zwrócić uwagę na odrzucane, latające lub spadające objekty. Trzymać wszystkie osoby postronne (szczególnie dzieci i zwierzęta) w odległości przynajmniej 15 m od miejsca pracy.
- Nigdy nie należy używać produktu w łatwopalnej lub wybuchowej atmosferze.
- Podczas używania produktu trzymaj uchwyty w pewny sposób obiema rękami.
- Posługując się urządzeniem, należy zachować czujność i kierować się zdrowym rozsądkiem. Nie obsługiwać tego urządzenia w stanie zmęczenia, choroby, będąc pod wpływem alkoholu, środków odurzających lub lekarstw. Utrata koncentracji podczas pracy urządzenia może spowodować poważne obrażenia ciała.
- Nie pracować w słabym oświetleniu. Operator musi dobrze widzieć miejsce pracy, aby móc zidentyfikować potencjalne zagrożenia.
- Stosowanie środków ochrony słuchu zmniejsza słyszalność ostrzeżeń (alarmów, okrzyków). Należy zwracać większą uwagę na to, co dzieje się w miejscu pracy.
- Praca podobnych narzędzi w pobliżu zwiększa ryzyko urazu słuchu oraz wtargnięcia innej osoby na miejsce pracy.
- Stać stabilnie, zachowując równowagę. Nie sięgać zbyt daleko. Nadmierne wychylenie się może spowodować utratę równowagi lub kontakt z gorącymi powierzchniami i może zwiększyć ryzyko odskoku.
- Wszystkie kończyny należy trzymać z dala od ruchomych elementów urządzenia.
- Nie dotykać urządzenia w pobliżu tłumika lub silnika, te elementy nagrzewają się podczas pracy.
- Przed każdym użyciem należy sprawdzić maszynę. Należy sprawdzić, czy wszystkie przyrządy urządzenia, w tym hamulec łańcucha, działają prawidłowo. Należy sprawdzić, czy mocowania nie są poluzowane, upewnić się, czy wszystkie osłony oraz uchwyty są prawidłowo i solidnie zamocowane. Wymienić wszystkie uszkodzone elementy przed rozpoczęciem użytkowania.

- Nie należy modyfikować maszyny w żaden sposób ani używać części i akcesoriów, które nie są zalecane przez producenta.

⚠ OSTRZEŻENIE

W przypadku upuszczenia produktu, narażenia jej na silne uderzenie lub w przypadku wystąpienia nietypowych wibracji należy natychmiast zatrzymać produkt i sprawdzić, czy nie ma oznak uszkodzenia lub ustalić przyczynę wibracji. Wszelkie uszkodzone części muszą być odpowiednio naprawione lub wymienione w autoryzowanym punkcie serwisowym.

- Podczas mieszania paliwa i napełniania zbiornika paliwa, nie palić i zachować 10 m od wszelkich źródeł zapłonu.
- Paliwo należy mieszać i przechowywać tylko w zbiorniku zatwierdzonym do zawierania benzyny.
- Paliwo mieszać tylko na wolnym powietrzu, z dala od wszelkich iskier czy płomienia. Wytrząć natychmiast rozchłapane paliwo. Przed uruchomieniem silnika należy oddalić się od miejsca uzupełniania paliwa na 10 m (30 stóp).
- Przed schowaniem lub transportem maszyny należy wyłączyć silnik i odczekać, aż ostygnie.
- Należy pamiętać, aby prawidłowo dokręcić wszystkie korki zbiornika paliwa/pojemnika po uzupełnieniu lub wymieszaniu paliwa.

OSTRZEŻENIA BEZPIECZEŃSTWA DOTYCZĄCE PILARKI ŁAŃCUCHOWEJ

- Zawsze należy zakładać osłonę prowadnicy, gdy produkt nie jest używany lub jest przenoszony albo transportowany. Pomoże to ograniczyć ryzyko przypadkowego kontaktu z ostrymi ostrzami łańcucha. Produkt należy przenosić, trzymając za górną uchwyć, tak aby prowadnica znajdowała się z dala od ciała.
- Należy zaznajomić się z obsługą nowej pilarki łańcuchowej, wykonując proste cięcia na odpowiednio zabezpieczonym drewnie. Należy to zrobić w przypadku, gdy operator przez jakiś czas nie używał pilarki.
- W przypadku pierwszej obsługi produktu zalecamy ciąć kłody na koźle.
- Należy dopilnować, aby wszystkie osłony, uchwyty oraz oporowy zderzak zębaty były odpowiednio zamontowane i znajdowały się w dobrym stanie.
- Osoby używające produktu powinny być w dobrej kondycji zdrowotnej. Produkt jest ciężkim urządzeniem i w związku z tym operator powinien znajdować się w dobrej kondycji fizycznej. Operator powinien być czujny, skupiony, mieć dobrą widoczność, swobodę ruchu, zachowywać równowagę oraz manualną zręczność. W przypadku wątpliwości nie należy używać produktu.
- Nie stawać na niestabilnej powierzchni podczas używania produktu. Może to obejmować m.in. drabiny, rusztowania i drzewa. Przez cały czas obie dłonie powinny znajdować się na uchwytach produktu.
- Nie należy rozpoczynać używania produktu zanim

obszar pracy nie będzie dobrze przygotowany, operator zajmie pewną pozycję oraz określi drogę ewakuacji w przypadku spadającego drzewa.

- Bądźcie wyjątkowo ostrożni kiedy tniecie kłody czy małe gałęzie, gdyż cienkie elementy mogą przyklepić się do łańcucha tnącego i zostać obrzucone w waszym kierunku, przy czym straciec równowagę.
- Kiedy tniecie naprężoną gałąź, bądźcie gotowi do szybkiego oddalenia się, w taki sposób by uniknąć uderzenia, kiedy napięcie włókien drewna odpręża się.
- Uważajcie na wydzielające się spaliny, opary oleju i trociny. Należy nosić maskę lub respirator, jeśli jest to wymagane.
- Nie należy przecinać winorośli oraz/lub niewielkich roślin (o średnicy poniżej 75 mm).
- Piłę łańcuchową podczas pracy zawsze należy trzymać obiema rękami. Należy mocno trzymać piłę łańcuchową, palce powinny być wokół uchwytów. Prawa ręka musi znajdować się na tylnym uchwycie, a lewa ręka na przednim uchwycie.
- Przed uruchomieniem silnika, upewnijcie się że łańcuch nie styka się z żadnym przedmiotem. Produkt zawsze należy uruchamiać z włączonym hamulcem łańcucha (popchniętym do końca do przodu).
- Nie należy modyfikować produktu w żaden sposób ani używać go do napędzania innych urządzeń, które nie są zalecane przez producenta jako współpracujące z produktem.
- W pobliżu operatora powinien znajdować się zestaw pierwszej pomocy zawierający duże opatrunki oraz przyrząd do wzywania pomocy (np. gwizdek). Większy, lepiej wyposażony zestaw powinien znajdować się w bliskim sąsiedztwie.
- Operator może mieć pokusę zdjęcia kasku, jeśli nie ma ryzyka spadających obiektów w miejscu pracy, ale należy pamiętać, że kask, a w szczególności z siatkową osłoną, może ograniczyć ryzyko obrażeń twarzy i głowy w przypadku odskoku.
- Nieprawidłowo napięty łańcuch może ześlizgnąć się z prowadnicy i może spowodować poważne obrażenia lub śmierć. Długość łańcucha zależy od temperatury łańcucha oraz zużycia łańcucha. Należy regularnie sprawdzać napięcie łańcucha.
- Uchwyty utrzymywać w czystości, muszą być zawsze suche, wolne od oleju i smarów. Uchwyty pokryte smarem i olejem są śliskie i mogą powodować utratę kontroli.
- Aby ograniczyć ryzyko obrażeń ciała związanych z kontaktem z ruchomymi częściami, zawsze należy zatrzymać silnik, włączyć hamulec łańcucha, odłączyć przewód świecy zapłonowej i sprawdzić, czy wszystkie ruchome części zatrzymały się przed
 - czyszczenie lub usuwanie blokady
 - pozostawianie produktu bez nadzoru
 - montaż lub demontaż osprzętu
 - sprawdzenie, konserwacja lub obsługa produktu
- Powierzchnia strefy roboczej zależy tak samo od rodzaju pracy do wykonania jak i od rozmiaru drzewa czy przedmiotu do obróbki. Np. ścięcie drzewa wymaga

EN
FR
DE
ES
IT
NL
PT
DA
SV
FI
NO
RU
PL
CS
HU
RO
LV
LT
ET
HR
SL
SK
BG

większego obszaru pracy niż wykonywanie innych cięć, takich jak przerywanie itp. Operator musi być świadomy oraz musi kontrolować wszystko, co dzieje się na obszarze pracy.

- Nie należy ciąć, znajdując się w jednej linii z prowadnicą i łańcuchem. W przypadku odfokusa pomoże to uniknąć kontaktu głowy lub ciała z łańcuchem.
- Nie wykonywać ruchów pływania do przodu i do tyłu – łańcuch musi pracować we własnym tempie. Łańcuch powinien być naostrzony i nie należy przepychać łańcucha przez szczelinę cięcia.
- Pod koniec cięcia nie naciskajcie na piłę łańcuchową. Należy przygotować się do przejścia ciężaru pilarki u operatora. W przypadku obsługi pilarki łańcuchowej powinny być używane następujące elementy:
- Nie należy zatrzymywać pilarki w połowie cięcia. Piła musi pracować aż do wyjęcia z wrąbu.

Środki ochrony osobistej

Dobrej jakości środki ochrony osobistej stosowane przez zawodowców pomogą ograniczyć ryzyko obrażeń ciała u operatora. W przypadku obsługi pilarki łańcuchowej powinny być używane następujące elementy:

Kask ochronny

- powinien być zgodny z normą EN 397 i mieć oznaczenie CE

Środki ochrony słuchu

- powinien być zgodny z normą EN 352-1 i mieć oznaczenie CE

Ochrona oczu i twarzy

- powinny mieć oznaczenie CE oraz być zgodne z normą EN 166 (dot. okularów ochronnych) lub EN 1731 (siatkowa osłona)

Rękawice

- powinien być zgodny z normą EN 397 i mieć oznaczenie CE

Ochrona nóg (pęknięcia)

- powinna być zgodna z normą EN 381 -5, mieć oznaczenie CE oraz zapewniać całościową ochronę.

Buty ochronne do pracy z pilarką łańcuchową

- powinny być zgodne z normą EN ISO 20345:2004 i być oznaczone symbolem przydatności do używania z pilarką łańcuchową, zgodnie z normą EN 381-3. (Sporadyczni użytkownicy mogą używać butów ochronnych z metalową wkładką ochronną oraz ochronnymi mieszkami zgodnymi z normą EN 381-9, jeśli podłoże jest równe i występuje niewielkie ryzyko przewrócenia się lub zaplątania się w roślinność)

Kurtki przeznaczone do obsługi pilarki łańcuchowej zapewniające ochronę górnej części ciała

- powinien być zgodny z normą EN 381-11 i mieć oznaczenie CE

MONTAŻ

⚠ OSTRZEŻENIE

W przypadku uszkodzenia lub braku dowolnego podzespołu urządzenia, nie wolno go używać aż do wymiany podzespołu. W przeciwnym wypadku może dojść do poważnych obrażeń.

MONTAŻ ŁAŃCUCHA I PROWADNICZY

Patrz str. 273, Rys. 5 - 8.

1. Zatrzymać produkt. Zakładać rękawice ochronne.
2. Wylączyć hamulec łańcucha.
3. Należy odkręcić pokrętko blokujące prowadnicę i zdjąć osłonę koła łańcuchowego.
4. Zamocować prowadnicę i zespół napinacza łańcucha do pilarki łańcuchowej. Obniżyć prowadnicę, tak aby śruba przeszła przez otwór w prowadnicy oraz zamocowanym zespole napinacza łańcucha.
5. Łańcuch powinien być ustawiony zgodnie z kierunkiem obrotu łańcucha. Jeżeli są skierowane w odwrotnym kierunku, odwróćcie pętlę, którą uformowaliście.
6. Założyć pętlę na napędowe koło łańcuchowe. Umieścić ogniwa łańcucha w rowku prowadnicy. W razie potrzeby można ponownie obrócić zespół napinacza łańcucha, aby nieco napiąć łańcuch, co pozwoli utrzymać go na miejscu.
7. Założyć osłonę koła łańcuchowego.
8. Wyreguluj naciąg łańcucha. Zapoznać się z sekcją „Regulacja napięcia łańcucha”.

REGULACJA NAPIĘCIA ŁAŃCUCHA

Patrz str. 286.

1. Poluzować lekko pokrętko blokujące prowadnicę, obracając je w lewo.
2. Aby zwiększyć napięcie łańcucha, należy obrócić pierścień regulacji napinacza łańcucha w prawo i należy regularnie sprawdzać napięcie łańcucha. Aby zmniejszyć napięcie łańcucha, należy obrócić pierścień regulacji napinacza łańcucha w lewo i należy regularnie sprawdzać napięcie łańcucha.
3. Napięcie łańcucha jest prawidłowe, gdy przestrzeń pomiędzy frezem łańcucha oraz prowadnicą wynosi 3-4 mm. Należy pociągnąć na dół łańcuch na środku dolnej strony prowadnicy (na zewnątrz prowadnicy) i zmierzyć odległość pomiędzy prowadnicą i frezami łańcucha.
4. Dokręcić pokrętko blokujące prowadnicę, obracając je w prawo.

OBJAŚNIENIE: Temperatura łańcucha wzrasta podczas normalnej pracy, powodując wydłużanie łańcucha. Sprawdzajcie regularnie napięcie łańcucha i napijcie go za każdym razem gdy zachodzi potrzeba. Łańcuch napinany na ciepło może się okazać zbyt ściśnięty, jak się ochłodzi. Upewnij się, że naciąg łańcucha jest prawidłowy, zgodnie ze specyfikacją podaną w tym podręczniku.

OBSŁUGA PRODUKTU

PALIWO I TANKOWANIE

Bezpieczeństwo pracy z paliwem

⚠ OSTRZEŻENIE

Przed przystąpieniem do tankowania należy bezwzględnie wyłączyć silnik. Nigdy nie wolno wlewać paliwa do zbiornika narzędzia, którego silnik pracuje lub jest jeszcze gorący. Przed uruchomieniem silnika należy odsunąć się na odległość co najmniej 9 m od miejsca, w którym tankowaliście. Palenie zabronione! Nie zastosowanie się do tego ostrzeżenia może spowodować ciężkie obrażenia ciała.

⚠ OSTRZEŻENIE

Upewnijcie się że nie ma wycieku paliwa z narzędzia. Znalezione należy usunąć przed rozpoczęciem używania urządzenia, aby zapobiec powstaniu pożaru lub oparzeniom.

- Zachować ostrożność podczas wykonywania czynności związanych z paliwem, jest ono wysoce łatwopalne.
- Zawsze należy uzupełniać paliwo na zewnątrz pomieszczeń, z dala od potencjalnych źródeł zapłonu. Nie wdychać oparów paliwa.

- Unikajcie zetknięcia się paliwa czy oleju z waszą skórą. W razie kontaktu należy natychmiast przemyć dane miejsce mydłem i dużą ilością wody.
- Unikać przede wszystkim dostania się benzyny lub oleju do oczu. Jeżeli benzyna lub olej dostaną się do oczu, należy je natychmiast przemyć czystą wodą. Jeżeli po przemyciu oczy są nadal podrażnione, skonsultujcie się niezwłocznie z lekarzem.

Sporządzanie mieszanki paliwowej

- Wasze narzędzie jest napędzane silnikiem dwusuwowym wymagającym uprzedniego sporządzenia mieszanki benzyny z olejem syntetycznym do silników dwusuwowych (stosunek 2%). Zmieszajcie benzynę bezołowiową z olejem do silników 2-suwowych w czystym zbiorniku zatwierdzonym do przechowywania benzyny.
- Silnik ten działa na benzynę bezołowiową do pojazdów o liczbie oktanowej 91 ((R + M)/2) lub wyższej.
- Nie używajcie gotowych mieszanek paliwowych oleju/z benzyną sprzedawanych na stacjach benzynowych; przeznaczonych głównie do motocykli, motorowerów etc.
- Należy stosować oleje wysokiej jakości, samomieszające, przeznaczone do silników dwusuwowych chłodzonych olejem. Nie stosować zwykłych olejów silnikowych lub olejów do silników dwusuwowych pozaburtowych.
- Zmieszajcie 2 % oleju z benzyną. Czyli stosunek 50 :1.

- Wymieszajcie dobrze paliwo przed każdym tankowaniem.
- Mieszankę należy sporządzać w małych ilościach. Nie przygotowujcie więcej niż odpowiednik zużycia na miesiąc. Zalecany jest środek smary do silników dwusuwowych z stabilizatorem paliwa.
- OBJAŚNIENIE: Uszkodzenie układu paliwowego lub problemy z kulturą pracy silnika wynikłe z zastosowania paliwa o zbyt dużej zawartości utleniaczy zgodnie z powyższym zestawieniem nie są objęte umową gwarancyjną.

Napełnianie zbiornika paliwa

Patrz str. 273.

- Aby niedopuszczyć do zanieczyszczenia paliwa, należy oczyścić powierzchnię zbiornika wokół korka wlewu paliwa.
- Poluzować powoli korek paliwa.
- Mieszankę paliwową należy wlewać ostrożnie do zbiornika. Unikając rozlania jej.
- Przed dokręceniem korka paliwa należy oczyścić i sprawdzić jego uszczelkę.
- Natychmiast po tankowaniu należy założyć korek wlewu paliwa i dokręcić go mocno. Wyrzucić natychmiast rozchlapane paliwo.

OBJAŚNIENIE: To normalne, że silnik się wydobywał dym, w trakcie i po pierwszym użyciu.

DOLEWANIE OLEJU SMAROWANIA ŁAŃCUCHA

Patrz str. 273.

⚠ OSTRZEŻENIE

Nigdy nie wolno pracować bez środka smarnego łańcucha. Jeśli łańcuch pilarki będzie pracował bez smarowania, może dojść do uszkodzenia łańcucha pilarki i prowadnicy. W związku z tym bardzo ważne jest sprawdzanie poziomu oleju w okienku poziomu oleju oraz za każdym razem przed rozpoczęciem pilarki łańcuchowej.

1. Wyczyścić powierzchnię wokół korka oleju, aby nie dopuścić do zanieczyszczenia.
2. Odkręcić i zdjąć korek oleju ze zbiornika oleju.
3. Wlać olej do zbiornika oleju i kontrolować wskaźnik poziomu oleju. Podczas wlewania oleju należy zachować ostrożność, aby do zbiornika oleju nie dostały się żadne zanieczyszczenia.
4. Założyć i przykręcić korek oleju. Wyrzucić rozlany olej.
5. Jeden pełny zbiornik oleju umożliwia używanie pilarki przez 20 – 40 minut.

OBJAŚNIENIE: Prawidłowo działający układ smarowania łańcucha i prowadnicy w normalnych warunkach usuwa olej z łańcucha podczas pracy. Aby sprawdzić działanie układu smarowania łańcucha i prowadnicy, należy skierować koniec łańcucha na jasne tło, np. na gazetę. Po krótkim czasie powinna być widoczna wyraźna linia oleju.

Zalecany olej smarowy łańcucha

- Producent zaleca stosowanie wyłącznie oleju smarowego Ryobi do pilarek łańcuchowych. (Dostępne

EN
FR
DE
ES
IT
NL
PT
DA
SV
FI
NO
RU
PL
CS
HU
RO
LV
LT
ET
HR
SL
SK
BG

u autoryzowanego przedstawiciela serwisu)

URUCHAMIANIE PRODUKTU

Sposób rozruchu silnika zależy od tego, czy jest on rozgrzany, czy zimny.

⚠ OSTRZEŻENIE

Pozostawiajcie na lewo od prowadnicy łańcucha. Nie przekraczajcie nigdy piły łańcuchowej czy łańcucha ; nigdy nie pochylajcie się poza tor łańcucha.

- Umieścić produkt na równym podłożu, zwracając uwagę, aby w pobliżu nie było żadnych obiektów lub przeszkód, które mogłyby zetknąć się z prowadnicą i łańcuchem.
- Lewą ręką trzymajcie mocno przedni uchwyt i połóżcie prawą nogę na podstawie tylnego uchwytu.

OBJAŚNIENIE: W poniższej instrukcji uruchomienia, gdy dźwignia ssania jest całkowicie wyciągnięta do położenia START, przepustnica jest ustawiona do rozruchu. Aby ustawić ponownie przepustnicę w położeniu RUN, należy ścisnąć, a następnie zwolnić przełącznik przepustnicy.

Aby uruchomić zimny silnik:

Patrz str. 272 - 273.

1. Należy ustawić wyłącznik zapłonu w położeniu ON (wł.).
2. Należy upewnić się, że hamulec łańcucha znajduje się w położeniu BRAKE i w tym celu należy popchnąć dźwignię/osłonę ręki.
3. Nacisnąć 10 razy pompkę paliwową .
4. Przetawić dźwignię ssania do położenia START.
5. Jeśli temperatura otoczenia jest wyższa niż 10°C, pociągnąć uchwyt startera, aby uruchomić silnik, jednak nie więcej niż 3 razy. Jeśli temperatura otoczenia jest niższa niż 10°C, pociągnąć uchwyt startera, aby uruchomić silnik, jednak nie więcej niż 5 razy.
6. Popchnąć dźwignię ssania do położenia połowy otwarcia. Pociągnij za uchwyt rozrusznika tak, aby uruchomić silnik.
7. Nacisnąć przycisk zwalniania spustu i nacisnąć spust przepustnicy, a następnie zwolnić spust przepustnicy, aby silnik ponownie pracował na wolnych obrotach.
8. Silnik powinien pracować na wolnych obrotach przez 15–30 sekund.
9. Przed zwiększeniem prędkości silnika lub cięciem drewna należy upewnić się, że hamulec łańcucha znajduje się w położeniu roboczym, przyciągając do siebie dźwignię/osłonę ręki.

⚠ UWAGA

Jeżeli nie zwolnicie spustu-włącznika w celu spowolnienia silnika podczas gdy hamulec łańcucha jest włączony, możecie uszkodzić silnik. Nigdy nie przytrzymujcie wciśniętego spustu podczas gdy hamulec jest włączony.

Aby uruchomić gorący silnik:

Patrz str. 281.

1. Należy ustawić wyłącznik zapłonu w położeniu ON

(wł.).

2. Należy upewnić się, że hamulec łańcucha znajduje się w położeniu BRAKE i w tym celu należy popchnąć dźwignię/osłonę ręki.
3. Naciśnij pompkę ręczną paliwa 10 razy.
4. Pociągnąć dźwignię ssania do końca od położenia "START", a następnie popchnąć ją do położenia "RUN" (praca).
5. Pociągnąć uchwyt rozrusznika, aż silnik uruchomi się, ale nie więcej niż 5 razy. Nacisnąć przycisk zwalniania spustu i nacisnąć spust przepustnicy, a następnie zwolnić spust przepustnicy, aby silnik ponownie pracował na wolnych obrotach. Jeśli silnik nie uruchomi się po 5 pociągnięciach, użyć procedury rozruchu zimnego silnika.
6. Przed zwiększeniem prędkości silnika lub cięciem drewna należy upewnić się, że hamulec łańcucha znajduje się w położeniu roboczym, przyciągając do siebie dźwignię/osłonę ręki.

PRZEŁĄCZANIE TRYBÓW PRACY

Patrz str. 287.

Produkt jest wyposażony w tryb ochrony przed zamarznięciem, która uniemożliwia zamarzanie wody w gaźniku podczas pracy w temperaturze $\leq 5^{\circ}\text{C}$.

Można zmienić położenie otworu wentylacyjnego po prawej stronie osłony filtra powietrza, aby umożliwić napływ ciepłego powietrza do silnika w celu uniemożliwienia zamarzania wody w gaźniku.

⚠ OSTRZEŻENIE

Jeśli nie zostanie włączony tryb chroniący przez zamarzaniem w przypadku temperatury $\leq 5^{\circ}\text{C}$, nastąpi spadek mocy silnika lub może dojść do awarii silnika.

Zawsze należy pamiętać, aby włączyć tryb normalnej pracy produktu, gdy nie ma ryzyka zamarzania wody w gaźniku. Jeśli użytkownik nie przełączy z trybu chroniącego przed zamarzaniem do trybu normalnej pracy w standardowej temperaturze, może dojść do awarii silnika.

ZATRZYMANIE SILNIKA

Zwolnicie spust-włącznik i zaczekajcie na spowolnienie silnika. Aby zatrzymać silnik, ustawij wyłącznik na pozycję "O", w pozycji ZATRZYMANIE . Nie kładźcie waszej piły łańcuchowej na ziemi kiedy łańcuch jest w ruchu. Kiedy nie używacie waszej piły łańcuchowej, z racji bezpieczeństwa włączcie hamulec.

Jeżeli wyłącznik nie zatrzymuje piły łańcuchowej, pociągnijcie dźwignię startera do oporu (starter) i uaktywnijcie hamulec łańcucha w celu zatrzymania silnika. Jeżeli wyłącznik nie umożliwia zatrzymania piły łańcuchowej kiedy jest ustawiony na zatrzymanie "O", oddajcie go do naprawy przed ponownym użyciem piły łańcuchowej w celu uniknięcia pracy w niebezpiecznych warunkach i poważnego zranienia.

OBJAŚNIENIE: Po zakończeniu używania produktu zawsze należy zredukować ciśnienie w zbiorniku, luzując i następnie dokręcając korki środka smarnego łańcucha oraz wlewu paliwa. Pozwólcie by silnik ochłodził się, zanim

schowacie wasze narzędzie.

TRZYMANIE PRODUKTU

Patrz str. 273.

Pilarkę łańcuchową zawsze należy trzymać w taki sposób, aby prawa ręka spoczywała na tylnym uchwycie a lewa ręka na przednim uchwycie. Chwycić oba uchwyty palcami i kciukami w taki sposób, aby całe uchwyty były objęte dłońmi. Lewa ręka musi znajdować się na przednim uchwycie, tak aby kciuk znajdował się pod spodem.

SPRAWDZANIE I OBSŁUGA HAMULCA ŁAŃCUCHA

1. Włączyć hamulec łańcucha, obracając lewą ręką na przednich uchwycie. Gdy łańcuch porusza się szybko, za pomocą tylnej części dłoni należy popchnąć dźwignię hamulca ręcznego/osłonę ręki w stronę prowadnicy. Przez cały czas obie dłonie powinny znajdować się na uchwytach produktu.
2. Ustawić hamulec pilarki w położeniu roboczym, chwytając górną część dźwigni hamulca łańcucha/osłony dłoni i pociągając w stronę przedniego uchwytu, aż do usłyszenia kliknięcia.

⚠ OSTRZEŻENIE

Jeśli hamulec nie zatrzyma niezwłocznie łańcucha lub jeśli nie pozostaje samoczynnie w położeniu umożliwiającym pracę pilarki, należy oddać pilarkę do serwisu w celu naprawy, a do tego momentu nie używać jej.

⚠ OSTRZEŻENIE

Gdy spust przepustnicy jest zwolniony i silnik pracuje na wolnych obrotach, łańcuch pilarki nie może się poruszać. Jeśli elementy te nadal poruszają się, występuje ryzyko poważnych obrażeń ciała operatora. Nie należy używać produktu, należy zwrócić go do autoryzowanego przedstawiciela serwisu w celu przeprowadzenia fachowej regulacji.

SPRAWDZANIE SPRZĘGŁA

1. Wyłączyć hamulec łańcucha, pociągając dźwignię hamulca łańcucha/osłonę ręki w stronę przedniego uchwytu aż do kliknięcia.
2. Należy pozostawić silnik na wolnych obrotach. Upewnij się, że łańcuch tnący nie obraca się. Jeśli łańcuch tnący obraca się podczas pracy na biegu jałowym, sprzęgło może ulec uszkodzeniu. Nie używać maszyny. Zwrócić maszynę do autoryzowanego punktu serwisowego w celu przeprowadzenia fachowej regulacji.
3. Nacisnąć do połowy spust przepustnicy i uruchomić produkt z ustawioną średnią prędkością. Łańcuch pilarki powinien obracać się płynnie, jeśli sprzęgło jest w dobrym stanie.

Przyczyny odskoku i środki zaradcze:

Może dojść do odrzutu (odboju) jeżeli czubek prowadnicy łańcucha wchodzi w kontakt z przedmiotem lub gdy łańcuch tnący zaklinuje się czy zablokuje w drewnie podczas piłowania.

W niektórych przypadkach kontakt końcówki może

spowodować gwałtowny odskok, na skutek czego prowadnica odskakuje do góry i do tyłu w stronę operatora. Zakleszczenie łańcucha piły na wysokości górnej krawędzi prowadnicy może spowodować gwałtowne odepchnięcie prowadnicy w stronę operatora.

Każda z tych reakcji może spowodować utratę kontroli nad maszyną, co może doprowadzić do poważnych urazów ciała. Nie wolno polegać jedynie na elementach zabezpieczających waszej piły łańcuchowej. W celu uniknięcia ryzyka wypadków czy zranienia powinniście podjąć różne środki bezpieczeństwa.

Odskok ma miejsce w rezultacie nieprawidłowego użycia oraz/lub niewłaściwych procedur roboczych lub warunków i można go uniknąć, stosując się do poniższych środków ostrożności:

- **Należy trzymać urządzenie w pewny sposób, tak aby kciuki i palce obejmowały uchwyty pilarki łańcuchowej, obie ręce znajdowały się na pilarcie oraz aby pozycja ciała i ramion była odpowiednia, aby oprzeć się odskokowi.** Siły odskoku mogą być kontrolowane przez operatora, jeśli zostaną zastosowane odpowiednie środki zaradcze. Nie wolno utracić kontroli nad pilarką łańcuchową.
- **Nie należy zbytnio wychylać się ani ciąć powyżej wysokości ramion.** Pomoże to wyeliminować niezamierzony kontakt końcówki i zapewni lepszą kontrolę nad pilarką łańcuchową w niespodziewanych sytuacjach.
- **Należy wyłącznie stosować prowadnice i łańcuchy określone przez producenta.** Nieprawidłowe zamienne prowadnice i łańcuchy mogą spowodować pęknięcie łańcucha oraz/lub odskok.
- **Należy postępować zgodnie z instrukcjami konserwacji producenta łańcucha piły.** Zmniejszenie wysokości głębokościomierza może zwiększyć siłę odskoku.

CIĄG I NACIĄG

Patrz str. 279.

Siła ciągu (nacisku) przejawia się zawsze w kierunku przeciwnym do ruchu łańcucha. W ten sposób operator musi być gotowy do kontrolowania tendencji odciągnięcia przez maszynę (ruch do przodu) przy cięciu dolnej krawędzi belki i dociągania (w stronę operatora) przy cięciu górnej krawędzi.

PIŁA ZABLOKOWANA WE WRĄBIE.

Zatrzymać pilarkę łańcuchową w bezpieczny sposób. Nie próbować wyjmować na siłę łańcucha i prowadnicy z wrąbu, ponieważ może to spowodować pęknięcie łańcucha i w rezultacie odskoczenie i uderzenie łańcuchem operatora. Ta sytuacja z reguły ma miejsce przypadkowo, gdy drewno jest nieprawidłowo podparte i oddziałuje siła zamykania wrąbu, powodując zaklinowanie ostrza. Jeśli poprawienie podparcia nie pozwoli odblokować prowadnicy i łańcucha, należy użyć drewnianych klinów lub zastosować dźwignię w celu zwolnienia produktu. Nigdy nie wolno usiłować uruchamiać pilarki łańcuchowej, gdy prowadnica znajduje się we wrąbie lub szczelinie.

EN
FR
DE
ES
IT
NL
PT
DA
SV
FI
NO
RU
PL
CS
HU
RO
LV
LT
ET
HR
SL
SK
BG

INSTRUKCJE DOTYCZĄCE PRAWIDŁOWYCH TECHNIK PODSTAWOWEGO WYRĄBU, OKRZESYWANIA ORAZ CIĘCIA POPRZECZNEGO

Zrozumienie sił oddziałujących w przypadku drewna

Gdy użytkownik zrozumie naciski i naprężenia kierunkowe występujące wewnątrz drewna, będzie mógł ograniczyć częstość zakleszczenia narzędzia lub przynajmniej będzie w stanie przygotować się na nie podczas cięcia. Naprężenie drewna oznacza, że włókna rozciągają się i wycięcie wrębu lub szczeliny w tym miejscu ma tendencję do rozchylenia się w miarę zagłębiania piły. Jeśli kłoda opiera się na koźle i końcówka zwisa bez podparcia, wtedy występuje naprężenie górnej powierzchni na skutek ciężaru fragmentu zwisającej kłody, powodując rozciąganie włókien. W ten sam sposób spodnia część kłody będzie ścisłana i włókna będą ze sobą ścisłane. Jeśli cięcie wykonywane jest w tym obszarze, wręb będzie miał tendencję do zamykania się podczas cięcia. Spowoduje to zakleszczenie ostrza.

Wyrąb drzewa

Patrz str. 277 - 278.

Przy przerzynaniu i wyrąbie przeprowadzanym jednocześnie przez dwie lub więcej osób, operacje wyrębu powinny być oddzielone od operacji ogławiania odległością stanowiącą przynajmniej dwukrotność wysokości ścinanego drzewa. Drzew nie wolno ścinać w sposób, który może stanowić zagrożenie wobec jakiegokolwiek osoby, może dojść do zetknięcia z linią energetyczną lub do uszkodzenia mienia. Jeśli drzewo zetknie się z linią energetyczną, trzeba natychmiast powiadomić stosowne służby.

Jeżeli teren jest spadkowy, pozostańcie na górze terenu, gdyż ścięte drzewo mogłoby się stoczyć czy ześliznąć na dół stoku.

Przed rozpoczęciem cięcia należy zaplanować i odpowiednio przygotować drogę ewakuacji. Droga ewakuacji powinna rozciągać się do tyłu i ukośnie do tyłu przewidywanej linii upadku drzewa.

Przed rozpoczęciem ścinki należy uwzględnić naturalne pochYLENIE drzewa, rozmieszczenie większych konarów oraz kierunek wiatru, aby ustalić kierunek przewrócenia się drzewa.

Należy usunąć z drzewa zanieczyszczenia, luźną korę, gwoździe, kłamy oraz drut.

Nie należy ścinać drzew, które są spróchniałe lub zostały uszkodzone przez wiatr, pożar, uderzenie pioruna itp. Jest to bardzo niebezpieczne i powinno być wykonane przez zawodowego drwala.

- Rzaz podcinający
Patrz str. 277 - 278.

Należy wykonać wycięcie o średnicy 1/3 drzewa, prostopadle do kierunku upadku drzewa. Najpierw należy wykonać niższe poziome cięcie. Pomoże to uniknąć zakleszczenia łańcucha pilarki lub prowadnicy podczas wykonywania drugiego cięcia.

- Rzaz ścinający
Patrz str. 277 - 278.

Rzaz ścinający należy wykonać przynajmniej 50 mm powyżej poziomego rzazu podcinającego. Rzaz

ścinający należy wykonać równoległe do poziomego rzazu podcinającego. Rzaz ścinający należy wykonać w taki sposób, aby pozostawić wystarczająco dużo drewna, które będzie pełnił funkcję zawiasu. Zadaniem zawiasu jest uniemożliwienie przekroczenia się drzewa i spadnięcia w nieprawidłowym kierunku. Nie należy przecinać zawiasu.

Gdy rzaz zbliży się do zawiasu, drzewo powinno zacząć się przewracać. Jeśli występuje jakiegokolwiek ryzyko, że drzewo może przewrócić się w niezamierzonym kierunku lub odchylić się do tyłu i zakleszczyć pilarkę łańcuchową, należy przerwać cięcie przed zakończeniem cięcia i użyć klinów z drewna, tworzywa sztucznego lub aluminium, aby otworzyć rzaz i powalić drzewo w odpowiednim kierunku.

Gdy drzewo zacznie się przewracać, należy wyjąć pilarkę łańcuchową z rzazu, wyłączyć silnik, odłożyć pilarkę łańcuchową i wycofać się zaplanowaną drogą ewakuacji. Należy zwrócić uwagę na spadające konary oraz na przeszkody leżące na ziemi.

Cięcie głównych korzeni

Patrz str. 278.

Główny korzeń, to gruby korzeń wychodzący z pnia aż do ziemi. Należy ściąć grube korzenie przed przystąpieniem do ścinania drzewa. Wykonajcie najpierw poziome nacięcie w głównym korzeniu, a następnie nacięcie pionowe. Usunąć w ten sposób odciętą część ze strefy roboczej. Przystąpcie do ścinania drzewa po zdjęciu głównych korzeni.

Przerzynanie kłody

Patrz str. 279.

Przerzynanie to cięcie kłody na odcinki. Ważne jest pewne oparcie na obu nogach oraz odpowiednie rozłożenie ciężaru ciała. Gdy jest to możliwe, kłoda powinna być podniesiona i podparta przy użyciu konarów, kłód lub klocek. Należy postępować zgodnie z prostymi wskazówkami w zakresie cięcia. Gdy kłoda jest podparta na całej długości, jest ona cięta od góry (overbuck).

Gdy kłoda jest podparta na jednym końcu, należy przeciąć 1/3 średnicy od spodu (underbuck). Następnie należy wykonać cięcie kończące, przecinając, aby zejść się z pierwszym cięciem.

Gdy kłoda jest podparta na obu końcach, należy przeciąć 1/3 średnicy od góry (overbuck). Następnie należy wykonać cięcie kończące, przecinając dolne 2/3, aby zejść się z pierwszym cięciem.

W przypadku przecinania na wzniesieniu zawsze należy stać powyżej kłody. W przypadku przecinania, aby zachować pełną kontrolę, należy zwolnić nacisk przy cięciu w pobliżu końca rzazu, bez luzowania chwytu na uchwytach pilarki łańcuchowej. Łańcuch nie może mieć kontaktu z ziemią. Po wykonaniu cięcia należy odczekać aż pilarka łańcuchowa zatrzyma się. Dopiero wtedy można przenieść pilarkę. Przechodząc od drzewa do drzewa, zawsze należy wyciągać silnik.

Okrzesywanie drzewa

Patrz str. 280.

Okrzesywanie to usuwanie gałęzi zwalonego drzewa. W przypadku okrzyszowania należy pozostawić większe dolne konary, aby unieść kłodę nad ziemią. Małe konary

należy usunąć jednym cięciem. Naprężone gałęzie należy odcinać od dołu, aby nie dopuścić do zakleszczenia pilarki łańcuchowej.

Cięcie sprężystych gałęzi

Patrz str. 280.

Różga jest gałązką, pniakiem wyrwanym z korzeniami, lub drzewkiem które jest zgięte pod innym kawałkiem drewna, tak że rozpręży się ono gwałtownie, kiedy tnie się lub zdejmuje kawałek drewna, który je przytrzymywał.

Pniak wyrwany z korzeniami obalonego drzewa również grozi rozprężeniem się i powrotem do pozycji pionowej podczas wykonywania odcinania tego pniaka od pnia. Uwaga na różgki, są one niebezpieczne. Nie należy próbować ciąć wygiętych gałęzi lub pni, które są naprężone, jeśli użytkownik nie ma odpowiedniego przeszkolenia oraz umiejętności.

TRANSPORT I PRZECHOWYWANIE

- Zatrzymać silnik, włączyć hamulec silnika, odłączyć przewód świecy zapłonowej i pozostawić do ostygnięcia przed transportem lub przechowywaniem.
- Usunąć z produktu wszelkie zanieczyszczenia.
- Spuścić całe pozostałe paliwo ze zbiornika do pojemnika zatwierdzonego dla benzyny. Należy pamiętać, aby prawidłowo założyć i dokręcić korek mieszanki paliwa.
- Uruchomić silnik i odczekać aż sam zgaśnie. To umożliwi wyeliminowanie całego paliwa, które mogłoby się zwietrzyć i pozostawić osad gumowaty w obiegu.
- Wprowadźcie cały olej do prowadnicy i łańcucha do zbiornika zatwierdzonego do przechowywania oleju. Należy pamiętać, aby prawidłowo założyć i dokręcić korek środka smarnego łańcucha.
- Zawsze należy zakładać osłonę prowadnicy przed schowaniem urządzenia lub podczas transportu.
- Należy przechowywać urządzenie w chłodnym, suchym i dobrze wentylowanym miejscu, które jest niedostępne dla dzieci. Nie chowajcie jej w pobliżu czynników żrących, takich jak ogrodowe produkty chemiczne czy sole odmrażające. Nie przechowywać na zewnątrz.
- W przypadku przenoszenia produktu na małych odległościach (z jednego miejsca pracy do drugiego) zawsze należy włączyć hamulec łańcucha, aby uniemożliwić poruszanie się łańcucha.
- W przypadku transportu produktu należy zabezpieczyć go przed przemieszczaniem się lub upadkiem, aby nie dopuścić do obrażeń ciała lub uszkodzenia produktu.
- Nie wolno przenosić ani transportować uruchomionego produktu.

Odniescie się do przepisów krajowych i lokalnych w zakresie magazynowania i manipulowania paliwa. Możecie użyć pozostałe paliwo do innego narzędzia z silnikiem dwusuwowym.

KONSERWACJA

Produkt zawsze należy utrzymywać w dobrym stanie roboczym.

⚠ OSTRZEŻENIE

Należy stosować wyłącznie oryginalne części zamienne, akcesoria oraz przystawki producenta. W przeciwnym razie może dojść do obrażeń ciała, niskiej wydajności oraz do unieważnienia gwarancji.

⚠ OSTRZEŻENIE

Serwisowanie wymaga wyjątkowej staranności i wiedzy. Może być wykonywane wyłącznie przez wykwalifikowany personel serwisowy. W przypadku czynności serwisowych i naprawczych produkt należy przekazać do najbliższego autoryzowanego punktu serwisowego. Do napraw używać wyłącznie identycznych zamienników.

⚠ OSTRZEŻENIE

Przed sprawdzaniem, czyszczeniem lub serwisowaniem produktu należy zatrzymać silnik, włączyć hamulec łańcucha i odłączyć przewód świecy zapłonowej od świecy zapłonowej. Nie zastosowanie się do tych zaleceń może spowodować ciężkie obrażenia ciała lub duże straty materialne.

- Możesz wykonywać czynności regulacyjne i naprawcze opisane w tej instrukcji obsługi. W przypadku innych napraw należy skontaktować się autoryzowanym punktem serwisowym.
- Konsekwencje nieprawidłowej konserwacji mogą spowodować pęknięcie łańcucha oraz niezadziałanie funkcji zabezpieczającej, co może zwiększyć ryzyko poważnych obrażeń ciała. Należy zapewnić profesjonalną konserwację pilarki łańcuchowej.
- Bezpieczne ostrzenie łańcucha wymaga wprawy. W związku z tym producent zdecydowanie zaleca, aby zużyty lub tępy łańcuch wymienić na nowy łańcuch, który można zakupić w autoryzowanym centrum serwisowym Ryobi. Numer części można znaleźć w tabeli specyfikacji produktu w tym podręczniku.
- Należy postępować zgodnie z instrukcjami w zakresie smarowania oraz sprawdzania i regulacji napięcia łańcucha.
- Po każdym użyciu należy wyczyścić produkt miękką, suchą szmatką.
- Systematycznie sprawdzać, czy wszystkie nakrętki, wkrety i śruby są dobrze dokręcone, aby upewnić się, że produkt jest w bezpiecznym stanie. Każdą uszkodzoną część należy odpowiednio naprawić lub wymienić w autoryzowanym punkcie serwisowym.

WYMIANA PROWADNICY I ŁAŃCUCHA PILARKI

Patrz str 282 - 285.

1. Zatrzymać produkt. Zakładać rękawice ochronne.
2. Wylączyć hamulec łańcucha.
3. Należy odkręcić pokrętło blokujące prowadnicę i zdjąć osłonę koła łańcuchowego.
4. Wyjąć prowadnicę i łańcuch z pilarki.
5. Wyczyścić spodnią stronę zęba koła łańcuchowego.
6. Aby wymienić prowadnicę na nową, należy poluzować

EN
FR
DE
ES
IT
NL
PT
DA
SV
FI
NO
RU
PL
CS
HU
RO
LV
LT
ET
HR
SL
SK
BG

nakrętkę zespołu napinacza łańcucha. Zamontować zespół napinacza łańcucha w nowej prowadnicy i dokręcić śrubę.

- Zamocować prowadnicę i zespół napinacza łańcucha do pilarki łańcuchowej. Obniżyć prowadnicę, tak aby śruba przeszła przez otwór w prowadnicy oraz zamocowanym zespole napinacza łańcucha.
- Łańcuch powinien być ustawiony zgodnie z kierunkiem obrotu łańcucha. Jeżeli są skierowane w odwrotnym kierunku, odwróćcie pętlę, którą uformowaliście.
- Założyć pętlę na napędowe koło łańcuchowe. Umieścić ogniwa łańcucha w rowku prowadnicy. W razie potrzeby można ponownie obrócić zespół napinacza łańcucha, aby nieco napiąć łańcuch, co pozwoli utrzymać go na miejscu.
- Założyć osłonę koła łańcuchowego.
- Wyreguluj naciąg łańcucha. Zapoznać się z sekcją „Regulacja napięcia łańcucha”.

CZYSZCZENIE FILTRA POWIETRZA

Patrz str. 290.

- Zatrzymać produkt. Należy upewnić się, czy hamulec łańcucha znajduje się w położeniu hamowania.
- Odkręcić pokrętko blokujące na osłonie filtra powietrza i zdjąć z produktu.
- Wymij filtr powietrza.
- Usunąć zanieczyszczenia i pył z filtra powietrza za pomocą szczotki. W razie potrzeby należy rozdzielić filtr powietrza płaskim śrubokrętem i wyczyścić go wewnątrz.
- Założyć osłonę filtra powietrza i dokręcić pokrętko blokujące.

CZYSZCZENIE ISKROCHRONU

Patrz str. 291.

⚠ OSTRZEŻENIE

Tłumik jest gorący podczas oraz po pracy produktu. Aby uniknąć poważnych obrażeń ciała, należy utrzymywać wszystkie części ciała z dala od tłumika podczas oraz po pracy.

- Zatrzymać produkt. Należy upewnić się, czy hamulec łańcucha znajduje się w położeniu hamowania. Zaczekajcie aż tłumik się ochłodzi.
- Odkręcić śrubę mocującą osłonę tłumika do kółcami, a następnie odkręcić dwie nakrętki na osłonie tłumika.
- Zdjąć osłonę tłumika.
- Zdjąć iskrochron. Wyczyścić osłonę iskrochronu za pomocą małej szczotki drucianej.
- Założyć osłonę tłumika. Aby założyć osłonę tłumika, należy wykonać te czynności w odwrotnej kolejności.

⚠ OSTRZEŻENIE

Zderzak z kółcami stanowi zabezpieczenie produktu. Dokręcić ją przy użyciu odpowiedniej śruby po założeniu osłony tłumika. Nieprzestrzeganie tych instrukcji może spowodować poważne obrażenia ciała lub śmierć.

KONTROLA I CZYSZCZENIE HAMULCA ŁAŃCUCHA

Patrz str. 294.

- Mechanizm hamulca łańcucha zawsze powinien być czysty. W tym celu należy lekko czyścić szczotką ogniwa, usuwając wszelkie zanieczyszczenia.
- Po czyszczeniu zawsze należy sprawdzać działanie hamulca łańcucha.
- Dodatkowe informacje można znaleźć w punkcie „Obsługa – sprawdzanie i obsługa hamulca łańcucha” we wcześniejszej części tego podręcznika.

REGULACJA PRĘDKOŚCI SILNIKA I GAŹNIKA

⚠ OSTRZEŻENIE

Nieprawidłowe wyregulowanie gaźnika może zwiększyć ryzyko urazów ciała, śmiertelnych wypadków lub uszkodzenia produktu. Regulację gaźnika należy zlecić autoryzowanemu przedstawicielowi serwisu.

HARMONOGRAM KONSERWACJI

Codzienna kontrola	
Pełna mieszanka	Przed każdym użyciem
Smarowanie prowadnicy	Przed każdym użyciem
Naciąg łańcucha	Przed każdym użyciem i często
Włączanie sprzęgła (brak ruchu łańcucha na prędkości biegu jałowego)	Przed każdym użyciem
Ostrość łańcucha	Przed każdym użyciem, kontrola wizualna
Występowanie uszkodzeń	Przed każdym użyciem
Dokręcenie elementów mocujących	Przed każdym użyciem
Zamocowanie podzespołów	Przed każdym użyciem
Działanie hamulca łańcucha	Przed każdym użyciem
Wycieki paliwa	Przed każdym użyciem

SPRAWDZIĆ I OCZYŚCIĆ

Prowadnica	Przed każdym użyciem
Całą pilarkę	po każdym użyciu
Filtr powietrza	Co 5 godzin*
Hamulec łańcucha	Co 5 godzin*
Wymienić filtr paliwa	Co roku

Wymienić filtr paliwa

Co roku

*Godziny pracowane

RYZIKO ZWIĄZANE Z UŻYTKOWANIEM:

Nawet jeśli produkt jest używany zgodnie z zaleceniami, nadal nie jest możliwe wyeliminowanie określonych czynników ryzyka. Następujące zagrożenia mogą wystąpić podczas używania urządzenia i operator powinien zwracać szczególną uwagę na poniższe punkty:

- Urazy ciała spowodowane przez wibracje. Zawsze należy używać do określonego zadania odpowiednich narzędzi, korzystać z przeznaczonych do tego uchwytów i stosować się do zaleceń dotyczących czasu pracy i narażenia.
- Narażenie na hałas może spowodować utratę słuchu. Należy nosić środki ochrony uszu oraz ograniczyć poziom narażenia.
- Kontakt z odsłoniętymi zębami piły łańcuchowej (ryzyko przecięcia).
- Niespodziewane i gwałtowne szarpnięcie lub odrzut prowadnicy (ryzyko przecięcia).
- Części wyrzuczone z pilarki łańcuchowej (zagrożenie zranienia).
- Odrzucone kawałki obrabianego materiału (drzazgi, wióry).
- Wdychanie unoszącego się pyłu z obrabianego przedmiotu i spalin z silnika.
- Kontakt oleju/benzyny ze skórą.

OGRANICZENIE RYZYKA

Badania dowodzą, że wibracje powodowane przez narzędzia ręczne mogą wywoływać u niektórych osób objawy syndromu Raynauda. Typowe objawy to mrowienie, drętwienie i blednięcie palców, widoczne zwykle po wystawieniu na działanie zimna. Uważa się, że czynniki dziedziczne, wystawienie na działanie zimna i wilgoci, dieta, palenie papierosów i przyjęte zwyczaje przyczyniają się do rozwoju tych objawów. Istnieją środki zaradcze, które może podjąć operator narzędzia, aby zmniejszyć efekt wibracji:

- Zadbaj w niskich temperaturach o ciepłotę własnego ciała, zakładając odpowiednie ubranie. Podczas obsługi produktu należy nosić rękawice, aby dłonie i nadgarstki były ciepłe. Wiadomo, że niskie temperatury są główną przyczyną powstawania objawu Raynauda.
- Podczas przerw w pracy należy wykonywać ćwiczenia poprawiające krążenie krwi..
- Podczas pracy robić częste przerwy. Ograniczyć ekspozycję w ciągu dnia.
- Rękawice ochronne, które są dostępne u wyspecjalizowanych sprzedawców pił łańcuchowych, są przeznaczone specjalnie do obsługi pilarki łańcuchowej i zapewniają ochronę oraz pewny chwyt. Rękawice również ograniczają przenoszenie wibracji uchwytu. Rękawice te powinny być zgodne z normą EN 381-7 i mieć oznaczenie CE.

W razie doświadczenia dowolnego z wymienionych objawów, należy niezwłocznie zaprzestać użytkowania tego urządzenia i skontaktować się z lekarzem.

⚠ OSTRZEŻENIE

Długotrwałe użytkowanie narzędzia może spowodować obrażenia ciała lub nasilić dolegliwości zdrowotne. W przypadku używania narzędzia przed dłuższy czas należy pamiętać o regularnych przerwach.

ZAPOZNAJ SIĘ ZE SWOIM PRODUKTEM

Patrz str. 271.

CZĘŚCI

1. Łańcuch tnący
2. Prowadnica łańcucha
3. Przednia osłona ręki/hamulec łańcucha
4. Przedni uchwyt
5. Pokrywa filtra powietrza
6. Uchwyt rozrusznika
7. Tylny uchwyt
8. Kolec oporowy
9. Osłona tłumika
10. Korek wlewu paliwa
11. Korek zbiornika oleju
12. Przełącznik zapłonu
13. Przycisk odblokowania spustu-włącznika
14. Spust przepustnicy
15. Pompka paliwowa
16. Dźwignia startera
17. Klucz uniwersalny
18. Osłona koła łańcuchowego
19. Trzpień ochronny łańcucha
20. Pierścień regulacji napinacza łańcucha
21. Pokrętko blokujące prowadnicę
22. Osłona prowadnicy

ELEMENTY ZABEZPIECZAJĄCE

ŁAŃCUCH O SŁABEJ SKŁONNOŚCI DO ODRZUTU

Łańcuch odznaczający się dobrą odpornością na odskok pomaga ograniczyć ryzyko odskoku.

Ograniczniki głębokości znajdujące się z przodu każdego zęba mogą ograniczyć siłę efektu odrzutu unikając zbytniego zagłębienia się zębów w strefę odrzutu (odboju). Należy stosować wyłącznie kombinacje prowadnic i łańcuchów zalecanych przez producenta.

Zalecamy zdwojenie uwagi po naostrzeniu łańcucha waszej piły, gdyż ostrzenie czyni łańcuch mniej odpornym na odrzut. Ze względów bezpieczeństwa łańcuch pilarki należy wymienić, gdy pogorszy się jego skuteczność cięcia.

KOLEC OPOROWY

Zintegrowany kolec oporowy może służyć jako przegub podczas cięcia. Pomaga to zachować odpowiednią pozycję ciała podczas cięcia. Podczas cięcia należy popchnąć maszynę do przodu, aż kolce wbiją się w krawędź drewna. Następnie należy przesunąć tylny uchwyt do góry i na dół, zgodnie z kierunkiem cięcia. Pomoże to ograniczyć wysiłek fizyczny podczas cięcia.

PROWADNICA ŁAŃCUCHA

W zasadzie prowadnice z końcówkami o mniejszym promieniu mają mniejszą tendencję do odskoku. Należy stosować wyłącznie kombinacje prowadnic i łańcuchów

EN
FR
DE
ES
IT
NL
PT
DA
SV
FI
NO
RU
PL
CS
HU
RO
LV
LT
ET
HR
SL
SK
BG

zalecanych przez producenta. Stosowanie niezalecanych przewodnic zwiększa ryzyko utraty kontroli podczas piłowania. Należy regularnie sprawdzać napięcie łańcucha. W przypadku cięcia mniejszych krawędzi (poniżej pełnej długości przewodnicy) łańcuch jest bardziej narażony na odrzut, jeśli napięcie jest nieprawidłowe.

HAMULEC ŁAŃCUCHA

Hamulec łańcucha został zaprojektowany, tak by umożliwić szybkie zatrzymanie poruszającego się łańcucha. Łańcuch musi się natychmiast zatrzymać, kiedy dźwignia hamulca/osłona ręki jest popchnięta do przodu. Hamulec łańcucha nie zapobiega efektowi odrzutu (odboju). Ogranicza to jedynie ryzyko obrażeń ciała, jeśli przewodnica zetknie się z ciałem operatora w przypadku odskoku. Hamulec łańcucha powinien być sprawdzony przed każdym użyciem. Należy sprawdzić jego działanie w położeniu roboczym oraz hamowania.

TRZPIEŃ OCHRONNY ŁAŃCUCHA

Łapacz łańcucha chroni operatora przed kontaktem z łańcuchem w razie jego poluzowania lub zerwania.

SYMBOLE PRODUKTU



Alarm bezpieczeństwa



Należy przeczytać i zrozumieć wszystkie instrukcje przed rozpoczęciem obsługi produktu oraz przestrzegać wszystkich ostrzeżeń i instrukcji dotyczących bezpieczeństwa.



Stosować środki ochrony oczu, uszu i głowy.



Podczas korzystania z tego produktu należy zakładać wysokie, antypoślizgowe obuwie ochronne.



Zakładać antypoślizgowe, grube rękawice ochronne.



Uważaj na odrzut pilarki łańcuchowej i unikaj kontaktu z końcówką przewodnicy.



Trzymajcie i obsługujcie wasza pilarkę dwoma rękami.



Nie używajcie waszej pilarki trzymając ją jedną ręką.



Narzędzie to spełnia wymogi wszystkich norm regulacji kraju UE, w którym było ono zakupione.



Stosować benzynę bezołowiową do pojazdów samochodowych o liczbie oktanowej 91 ((R + M)/2) lub wyższej.



Stosować olej smarujący do silników dwusuwowych chłodzonych powietrzem.



Wymieszać dokładnie mieszankę paliwową oraz każdorazowo przed uzupełnieniem paliwa.



Przy każdym dolewaniu paliwa do produktu należy również uzupełnić olej przewodnicy i łańcucha.



Ustawić hamulec łańcucha w położeniu ROBOCZYM.



Ustawić hamulec łańcucha w położeniu HAMOWANIA.



Należy ustawić wyłącznik zapięcia w położeniu ON (wł.).



Nacisnąć 10 razy pompkę paliwową.



Ustaw dźwignię ssania w położeniu „FULL”.



Pociągnijcie za uchwyt rozrusznika (nie więcej niż pięć razy) aż usłyszycie że silnik startuje.



Ustaw dźwignię ssania w położeniu „HALF”.



Pociągnij za uchwyt rozrusznika tak, aby uruchomić silnik.



Nacisnąć przycisk zwalniania spustu i spust przepustnicy.



Znak zgodności EurAsian



Gwarantowany poziom mocy akustycznej wynosi 112 dB








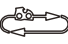


Olej do smarowania przewodnicy i łańcucha








Benzyna bezołowiowa oraz olej do silników dwusuwowych.



W pozycji "działanie"

-  Położenie połowy ssania
-  Położeniu „FULL”
-  Blokada
-  Odkręcenie uchwytu
-  Obróć, aby wyregulować naciąg łańcucha
+ = Dokręcić łańcuch
- = Poluzować łańcuch
-  Kierunku ruchu łańcucha
(Oznaczenie pod osłoną koła łańcuchowego)
-  Tryb normalny
-  Tryb ochrony przed zamarzaniem
- T Regulacja prędkości biegu jałowego
- H Igła regulacji wysokiej prędkości
- L Igła regulacji niskiej prędkości

SYMBOLE W TYM PODRĘCZNIKU

-  Paliwo mieszać tylko na wolnym powietrzu, z dala od wszelkich iskier czy płomienia.
-  Nie palić tytoniu podczas mieszania paliwa i tankowania.
-  Części lub akcesoria sprzedawane oddzielnie
-  Zużyte produkty elektryczne nie powinny być utylizowane z odpadami domowymi. Prosimy poddawać recyklingowi w odpowiednich miejscach.
-  Objasnienie

-  Ostrzeżenie!
-  Należy nosić ochronę oczu i twarzy.
-  Należy nosić zabezpieczenie górnej części ciała.
-  Należy nosić ochronę nóg.
-  Zatrzymać produkt.
-  Zablokować pokrywę dostępową filtra.
-  Odblokować pokrywę dostępową filtra.

Następujące wyrażenia i znaczenia wyrażają poziom zagrożenia związanego z tym produktem:

NIEBEZPIECZEŃSTWO

Wskazuje na realne zagrożenie, które może spowodować śmierć lub poważne zranienie, jeżeli się nie uniknie tego niebezpieczeństwa.

OSTRZEŻENIE

Wskazuje na potencjalne zagrożenie, które może spowodować mniejsze lub bardziej poważne zranienie, jeżeli się nie uniknie tego niebezpieczeństwa.

UWAGA

Wskazuje na potencjalne zagrożenie, które może spowodować mniejsze lub bardziej poważne zranienie, jeżeli się nie uniknie tego niebezpieczeństwa.

UWAGA

Bez symbolu ostrzeżenia
Sytuacja, która może grozić uszkodzeniem mienia.

EN
FR
DE
ES
IT
NL
PT
DA
SV
FI
NO
RU
PL
CS
HU
RO
LV
LT
ET
HR
SL
SK
BG

Bezpečnost, výkonnost a spolehlivost získali nejvyšší priority při návrhu vaší Benzinová řetězová pila.

ZAMÝŠLENÉ POUŽITÍ

Tento výrobek je určen pouze pro venkovní používání v dobře větrané oblasti. Z bezpečnostních důvodů se musí výrobek vždy řádně obsluhovat oběma rukama.

Řetězová pila je navržena pro řezání větví, kmenů, klád a trámů o průměru stanoveného řezací délkou vodící lišty. Je povoleno pouze řezat do dřeva. Je možné používat pouze pro domácí používání dospělými osobami, které absolvovali odpovídající školení o rizicích a preventivních opatření/činnostech, která mají být přijata během používání pily.

Nepoužívejte tento nástroj pro zde neuvedené účely. Tento nástroj není určen pro profesionální zpracování stromů. Výrobek smí být používán dospělými osobami a ne dětmi nebo osobami, které nenosí odpovídající osobní ochranné vybavení a oděv.

VAROVÁNÍ

Při používání výrobku musí být dodrženy bezpečnostní předpisy. Pro vaši vlastní bezpečnost a přítomných osob je nutné si přečíst a plně pochopit tyto pokyny před použitím výrobku. Velmi doporučujeme účast na profesionálně organizovaném bezpečnostním kurzu o používání, preventivních opatřeních, první pomoci a údržbě řetězových pil. Tyto pokyny uschovejte pro příští použití.

VAROVÁNÍ

Řetězové pily jsou velmi nebezpečné nástroje. Nehody způsobené používáním řetězové pily často končí ztrátou končetiny či smrtí. Nejde jen o to, že je pila nebezpečná. Padající větve, kácené stromy i odvalující se polena mohou usmrtit. Napadené nebo shnilé dřevo představuje další nebezpečí. Měli byste zhodnotit své schopnosti k bezpečnému dokončení úkolu. V případě pochyb neváhejte profesionální dřevorubce.

VŠEOBECNÁ BEZPEČNOSTNÍ VAROVÁNÍ

- Místní předpisy mohou omezovat použití výrobku. Ověřte si u svého orgánu místní správy toto nařízení.
- Nenechte děti nebo osoby neseznámené s těmito pokyny pracovat s výrobkem. Místní předpisy mohou omezovat dobu obsluhy.
- Před každým použitím se ujistěte, že všechny ovladače a jištění řádně fungují. Nástroj nepoužívejte, pokud přepínač „nevyplíná“ (off) motor.
- Nikdy motor nespouštějte ani nepoužívejte v uzavřených nebo málo větraných místnostech; vdechování zplodin může usmrtit.
- Vyčistěte pracovní plochu před každým použitím, přeplněná a neuspořádaná pracovní oblast vede k nehodám.
- Při práci s výrobkem používejte kompletní ochranu zraku, bezpečnostní obuv s protiskluzovou podrážkou

a sluchu, zesílené pevné rukavice a helmu. Používejte respirátor, pokud pracujete v prachu.

- Nenoste volný oděv, kraťasy nebo jakékoli šperky.
- Dlouhé vlasy si svažte nad rameny, aby se nemohly zaplést do pohyblivých částí.
- Dávejte pozor na odhazované, padající nebo odlétávající předměty. Všechny přihlížející (zvláště děti a zvířata) udržujte ve vzdálenosti alespoň 15m od pracovní oblasti.
- Nikdy nepoužívejte výrobek ve výbušném nebo hořlavém prostředí.
- Během používání produktu držte pevně obě rukojeti.
- Buďte ve střehu, hlídejte, co děláte a používejte zdravý rozum při provozu tohoto výrobku. Nepoužívejte, pokud jste unaveni nebo pod vlivem drog, alkoholu nebo léků. Chvilky nepozornosti při práci s tímto výrobkem může zapříčinit vážná osobní poranění.
- Neprovazujte při slabém osvětlení. Obsluha musí mít čistý výhled na pracovní oblast k identifikaci potenciálních nebezpečí.
- Uvědomte si, že použití ochrany sluchu snižuje vaši schopnost slyšet varování (poplchy nebo výkřiky). Obsluha si musí být tohoto vědoma a platí speciální upozornění, aby si všímala události v jeho pracovní oblasti.
- Obsluha podobných nástrojů zvyšuje jak nebezpečí poranění sluchu, tak osob vstupujících do zóny práce.
- Udržujte bezpečné postavení a rovnováhu. Nepřeceňujte se. Přeceňování může mít za následek ztrátu rovnováhy nebo vystavení horkému povrchu a zvýšení nebezpečí zpětného vrhu.
- Udržujte všechny části těla mimo pohyblivé součásti.
- Nedotýkejte se oblasti okolo tlumiče a motoru zařízení, během funkce se mohou velmi zahřát.
- Zkontrolujte nástroj před každým použitím. Ověřte správnou funkci všech ovládacích prvků včetně brzdy řetězu. Zkontrolujte včetně, zda nejsou uvolněny upínací a zda jsou všechny chrániče, vodící plechy a rukojetě řádně a bezpečně připojeny. Před použitím vyměňte jakékoliiv poškozené součásti.
- Nástroj nijak neupravujte nebo nepoužívejte příslušenství, jež nejsou doporučena výrobcem.

VAROVÁNÍ

Pokud začne po pádu, silných nárazech nástroj nenormálně vibrovat, zastavte nástroj a ihned zjistěte příčinu vibrací a rozsah škod. Pokud je nějaká část poškozena, musí se nechat řádně opravit nebo vyměnit pověřeným servisním střediskem.

- Při míchání paliva nebo plnění palivové nádrže, nekuřte a držet 10 m od jakéhokoli zdroje vznícení.
- Benzín míchejte a skladujte v nádobě určené ke skladování benzínu (vhodný kanystr).
- Benzín míchejte na vzduchu, v bezpečné vzdálenosti od zdrojů jiskření a otevřeného ohně. Pečlivě utřete vylitý benzin. Přesuňte se o 10 m (30 stop) od místa doplnění před spuštěním motoru.

- Vypněte motor a nechte jej vychladnout před doplňováním paliva, přepravou nebo skladováním přístroje.
- Nezapomeňte správně uzavřít všechna víka palivové nádrže/nádob po výměně paliva nebo míchání.

BEZPEČNOSTNÍ VAROVÁNÍ K ŘETĚZOVÉ PILE

- Vždy nasazujte kryt vodící lišty, pokud výrobek nepoužíváte nebo jej přepravujete nebo přenášíte. To pomáhá snížit riziko náhodného kontaktu s ostrými čepelemi na řetězu. Přenášejte výrobek za horní rukojeť s vodící lištou odvrácenou od vašeho těla.
- Měli byste si zvyknout na novou motorovou pilou tím, že budete provádět jednoduché řezy pevně podepřeného dřeva. Udělejte to vždy, když jste pilu nějakou dobu nepoužívali.
- Rezejte klády na „koze“ pro řezání nebo kolébce, když výrobek začínáte používat.
- Zkontrolujte, zda jsou všechny bezpečnostní kryty, rukojeti a ozubené opěrky správně instalovány a v dobrém stavu.
- Osoby, které používají výrobek by měl být v dobrém zdravotním stavu. Produkt je těžký přístroj, takže obsluha musí být fyzicky v pořádku. Obsluha musí být pozorná, mít dobrý výhled, mobilitu, rovnováhu a manuální zručnost. Pokud jsou jakékoliv pochybnosti, nepoužívejte výrobek.
- Nestůjte na jakémkoliv nestabilním povrchu při používání výrobku. To by mohlo zahrnovat, avšak není přímo omezeno, žebříky, lešení a stromy. Držte vždy obě ruce na rukojeti výrobku.
- Nezačínajte řezat, dokud není pracovní zóna vyčištěná, dokud nebudete stát pevně oběma nohama na zemi a dokud nebudete mít promyšlenou únikovou cestu před padajícím stromem.
- Buďte velmi opatrní při řezání větvíček malých rozměrů, neboť se mohou zachytit o zuby řetězu a být vymrštnuty směrem k vám a narušit vaši pracovní rovnováhu.
- Při obtížném řezání větví buďte připravení, abyste mohli rychle ustoupit, dřívě než dřevěná vlákna zcela povolí.
- Dávejte pozor na emise výfukových plynů, olejové výpary a piliny. V případě nutnosti noste masku nebo respirátor.
- Neodřezávejte výhonky ani křoviny s malým průměrem (do 75 mm).
- Nástroj vždy držte během používání pevně oběma rukama. Držte řetězovou pilu pevně, prsty musí pevně spočívat na rukojeti. Pravou rukou držte zadní rukojeť a levou rukou přední rukojeť.
- Před nastartováním motoru zkontrolujte, zda se řetěz nedotýká žádného předmětu. Vždy spouštějte výrobek s aktivovanou řetězovou brzdou (zatlačena plně vpřed).
- V žádném případě neupravujte výrobek nebo jej nepoužívejte k napájení jakékoliv příslušenství či zařízení, které není doporučeno výrobcem pro váš výrobek.
- Na pracovišti obsluhy pily by se měla nacházet lékárnička s obvazy a prostředky pro upozornění

(např. pišťalku). V rozumném dosahu by se pak měla nacházet obsáhlejší sada.

- Obsluha si může v době, kdy nehrozí nebezpečí pádu předmětu sundávat helmu, nicméně helma, zejména se síťovinovým průhledem může redukovat potenciální nebezpečí poranění obličeje a hlavy či zpětném vrhu.
- Nesprávně napnutý řetěz může vyskočit z vodící lišty a způsobit vážné či smrtelné poranění. Délka řetězu je závislá na teplotě řetězu a opotřebením řetězu. Pravidelně kontrolujte napnutí řetězu.
- Udržujte rukojeti suché, čisté a bez mastnot a oleje. Rukojeti znečištěné mastnotou a olejem jsou kluzké, což způsobuje ztrátu kontroly.
- Pro snížení nebezpečí poranění spojených s dotykem pohyblivých dílů vždy zastavte motor, použijte brzdu řetězu, vyndejte kabel zapalovací svíčky a ujistěte se, že se všechny rotační díly zastavily před:
 - čištění nebo odstranění ucpávky
 - ponechání výrobku bez dozoru
 - demontáží a montáží příslušenství
 - kontrola, údržba nebo práce na nástroji
- Plocha pracovní zóny závisí na povaze práce, na velikosti stromu nebo řezaného materiálu. např. při kácení stromu potřebujete více místa než při řezání větví. Obsluha musí být pozorná a mít pod kontrolou veškeré dění v pracovní oblasti.
- Neřežte v linii s vodící lištou a řetězem. Pokud budete vystaveni zpětnému vrhu, pomůže to zabránit kontaktu řetězu s vaší hlavou či tělem.
- Nepoužívejte při řezání pohyb vpřed a vzad (jako u rámové pily); nechte řetěz vykonat práci. Udržujte řetěz ostrý a nesazte se tlačit řetěz do řezu.
- V konečné fázi řezu na řetězovou pilu netlačte. Buďte připraveni na hmotnost pily, když se uvolní ze dřeva. Pochybení tak může způsobit případně vážné osobní poranění.
- Nezastavujte pilu během řezání. Nechte pilu běžet, dokud se neuvolní z řezu.

Prostředky osobní ochrany

Kvalitní osobní ochranné prostředky, které používají profesionálové, pomohou snížit riziko poranění obsluhy. Při obsluze řetězové pily je třeba použít následující:

Ochranná přilba

- ve shodě s EN 397 a označená značkou CE

Ochrana sluchu

- ve shodě s EN 352-1 a označená značkou CE

Ochrana zraku a obličeje.

- označená značkou CE a ve shodě s EN 166 (pro safety glasses) nebo EN 1731 (síťovinový průhled)

Rukavice

- ve shodě s EN 397 a označená značkou CE

Ochrana dolních končetin (s vycpávkou)

- ve shodě s EN381-5, označená značkou CE a poskytují všestrannou ochranu.

Bezpečnostní obuv odolnou řetězové pile

- ve shodě s EN ISO 20345:2004 a označeno štítek bráníci průniku řetězové pily a označeno

EN
FR
DE
ES
IT
NL
PT
DA
SV
FI
NO
RU
PL
CS
HU
RO
LV
LT
ET
HR
SK
SL
BG

dle EN 381-3. (Občasní uživatelé mohou používat bezpečnostní obuv se špičkou vyztuženou ocelí dle EN 381-9, zpokud je podklad rovný a kde je malé riziko zakopnutí nebo zachycení porostem)

Ochranná bunda proti zásahu pilou pro horní část těla
– ve shodě s EN 381-1 a označená značkou CE

MONTÁŽ

VAROVÁNÍ

Pokud nějaké předměty chybí nebo jsou viditelně poškozeny, nepracujte s tímto výrobkem, dokud se součástí nevymění. Pochybení tak může způsobit vážné osobní poranění.

MONTÁŽ VODICÍ LIŠTY A PILOVÉHO ŘETĚZU.

Viz strana 273, Obr. 5 - 8.

1. Zastavte zařízení. Použijte ochranné brýle.
2. Uvolněte brzdu řetězu.
3. Odšroubujte šroub uzamknutí vodící lišty a sejměte kryt ozubeného kola.
4. Připevněte vodící lištu a sestavu napnutí řetězu na řetězovou pilu. Spusťte vodící lištu dolů tak, aby šroub procházel otvorem v liště a sestavou napnutí řetězu.
5. Jednotlivé řezné články řetězu musí být otočeny ve směru otáčení řetězu. Pokud směřují obráceně, otočte celý řetěz.
6. Umístěte smyčku kolem hnacího řetězového (ozubeného) kola. Nasadte vodící články řetězu do drážky vodící lišty. Pokud je to nutné, otáčejte sestavu napnutí řetězu pro poskytnutí určitého napnutí řetězu, které jej pomůže udržovat v poloze.
7. Nasadte kryt ozubeného kola.
8. Nastavte napnutí řetězu. Přečtěte si informace uvedené v části „Seřízení napnutí řetězu“.

SEŘÍZENÍ NAPNUTÍ ŘETĚZU

Viz strana 286.

1. Uvolněte šroub uzamknutí vodící lišty mírným pootočením proti směru otáčení hodinových ručiček.
2. Pro zvýšení napnutí řetězu otáčejte seřizovací kroužek napnutí řetězu ve směru otáčení hodinových ručiček a často kontrolujte napnutí řetězu. Pro snížení napnutí řetězu otáčejte seřizovací kroužek napnutí řetězu proti směru otáčení hodinových ručiček a často kontrolujte napnutí řetězu.
3. Správně napnutý řetěz je, když je mezera mezi řezacím článkem řetězu a vodící lištou 3 mm až 4 mm. Zatáhněte řetěz uprostřed spodní strany vodící lišty směrem dolů (od vodící lišty) a změřit vzdálenost mezi vodící lištou a řezným článkem řetězu.
4. Uvolněte šroub uzamknutí vodící lišty otáčením ve směru chodu hodinových ručiček.

POZNÁMKA: Teplota řetězu se během normálního provozu zvyšuje a způsobuje natažení řetězu. Pravidelně kontrolujte napnutí řetězu a v případě potřeby řetěz napněte. Řetěz napínaný za tepla může být po vychladnutí příliš napnutý. Ujistěte se o správném napnutí řetězu určených těmito pokyny.

PROVOZ VÝROBKU

PALIVO A PLNĚNÍ NÁDRŽE

Bezpečná manipulace s palivem

VAROVÁNÍ

Před doplněním paliva vypněte motor. Nikdy nedolívajte palivo do nádrže, pokud je motor narádi zapnutý nebo pokud je ještě horký. Než spustíte motor, postavte se nejméně 10 m od místa, kde jste nalévali benzín do nádrže. Nekuřte! Nedodržení tohoto pokynu může způsobit vážné zranění.

VAROVÁNÍ

Zkontrolujte, zda s narádi neuniká palivo. Je-li nějaký, opravte jej před použitím výrobku, zabráníte požáru nebo popálení.

- Vždy zacházejte s palivem s opatrností, je velmi hořlavé.
- Doplnění vždy provádějte venku mimo dosah potenciálních zdrojů zapálení, nedýchejte výpary z paliva.
- Chraňte pokožku před stykem s benzínem a olejem. Dojde-li ke kontaktu, ihned omyjte množstvím vody se saponátem.
- Dávejte pozor, aby nedošlo k vystříknutí benzínu nebo oleje do očí. Při vniknutí benzínu nebo oleje do očí, oči okamžitě důkladně vypláchněte čistou vodou. Pokud je oční sliznice podrážděná, vyhledejte okamžitě lékaře.

Benzinová směs

- Tento výrobek je vybaven dvoudobým motorem, který ke svému provozu potřebuje benzinovou směs a syntetický olej pro dvoudobé motory. Smíchejte bezolovnatý benzín a olej pro dvoutaktní motory v čisté nádobě, která odpovídá bezpečnostním předpisům.
- Motor používá bezolovnatý benzín pro motorová vozidla s oktanovým číslem 91 ([R + M]/2) nebo více.
- Nepoužívejte míchané benzinové směsi s olejem, které jsou k dostání v benzinových čerpacích stanicích; tyto směsi jsou určeny pro motorky a motorová kola.
- Používejte kvalitní vlastnoručně míchaný olej pro 2-dobé vzduchem chlazené motory. Nepoužívejte automobilové oleje nebo olej pro vnější 2-dobé motory.
- Přidejte do benzínu 2 % oleje, tj. Míchejte v poměru 50:1.
- Před doplněním paliva do nádrže palivovou směs dobře promíchejte.
- Připravte palivovou směs v malém množství. Benzinovou směs si nepřipravujete více než na měsíc dopředu. Je doporučen olej pro 2dobé motory obsahující stabilizátor paliva.

POZNÁMKA: Poškození palivového systému nebo problémy s výkonem vyplývající z používání okysličeného paliva obsahujícího větší procentáže kyslíku, než jak bylo

dříve uvedeno, nejsou pokryty zárukou.

Plnění palivové nádrže

Viz strana 273.

- Vyčistěte nádrž kolem uzávěru, aby nedošlo ke kontaminaci paliva.
- Opatrně uvolněte víko nádrže paliva.
- Pomalu a opatrně nalijte palivo do nádrže. Dávejte pozor, abyste palivo nerozliili.
- Než uzavěří nádrž opět zašroubujete, vyčistěte těsnění a zkontrolujte, zda je v dobrém stavu.
- Nasadte uzávěr a pevně ho utáhněte. Pečlivě utřete vylitý benzín.

POZNÁMKA: Je normální, že motor má vycházet kouř během a po prvním použití.

DOPLNĚNÍ MAZACÍHO OLEJE ŘETĚŽU

Viz strana 273.

⚠ VAROVÁNÍ

Nikdy nepracujte bez maziva řetězu. Pokud pila běží bez maziva, mohou se vodící lišta i řetěz poškodit. Je proto nezbytné pravidelně kontrolovat hladinu oleje olejovou měrkou často a pokaždé před používáním řetězové pily.

1. Vyčistěte oblast okolo víka olejové nádrže pro zabránění kontaminace.
2. Odšroubujte a sundejte víko z olejové nádrže.
3. Lijte do olejové nádrže olej a sledujte měрку hladiny oleje. Zajistěte, aby se při plnění oleje do olejové nádrže nedostaly žádné nečistoty.
4. Našroubujte víko olejové nádrže zpět a utáhněte. Seřete veškeré rozlité množství.
5. Jedna plná olejová nádrž vydrží na 20 – 40 minut používání řetězové pily.

POZNÁMKA: Řádně fungující mazací systém řetězu a lišty bude normálním způsobem vypouštět oleje z řetězu během používání. Pro kontrolu funkčnosti mazacího systému řetězu a lišty, namiřte špičku řetězu na světlý povrch, jako jsou například noviny. Po krátké době zřetelně uvidíte nastříkanou čáru oleje.

Doporučený mazací olej řetězu

- Výrobce doporučuje použití pouze olejů pro řetězové pily Ryobi. (K dispozici u svého autorizovaného servisního centra)

SPUŠTĚNÍ VÝROBKU

Způsob spuštění nářadí závisí na tom, zda je motor studený nebo zahřátý.

⚠ VAROVÁNÍ

Postavte se nalevo od vodící lišty. Řetězovou pilu nikdy nedržte mezi nohama, nestůjte obkročmo kolem řetězu, nikdy se nenaklánějte do směru vedení řetězu.

- Položte výrobek na rovnou zem a zkontrolujte, zda se v blízkosti nářadí nenachází žádný předmět, který by mohl bránit provozu nářadí nebo který se nachází v

dráze vodící lišty a řetězu.

- Pevně držte přední rukojeť levou rukou, pravou nohu umístěte na úroveň zadní rukojeti.

POZNÁMKA: V následujících pokynech pro spuštění, je-li páka sytiče plně zatažena do polohy START, je plyn nastaven pro spuštění. Pro vynulování plynu do polohy RUN, stiskněte a poté uvolněte spoušť plynu.

Spouštění studeného motoru:

Viz strana 272 - 273.

1. Přepněte zapalovací spínač do polohy ON (ZAPNUTO).
2. Ubezpečte se, že je brzda řetězu v poloze BRAKE zatažením za páku/chránič ruky směrem vpřed.
3. Stiskněte 7 krát hruškový balónek.
4. Páku sytiče přesuňte zcela do polohy START (Spustit).
5. Je-li teplota nad 10°C, tahejte za startovací držadlo, až motor začne startovat, ale ne více jak 3 krát. Je-li teplota pod 10°C, tahejte za startovací držadlo, až motor začne startovat, ale ne více jak 5 krát.
6. Zatláčte páčku sytiče do polohy „half“ (polovina). Tahejte za rukojeť spouštěče, až se spustí.
7. Stiskněte spoušť uvolnění a zmáčkněte spoušť plynu, poté uvolněte spoušť plynu pro návrat motoru na volnoběh.
8. Nechte výrobek běžet na volnoběh po 15 až 30 sekund.
9. Před zvýšením otáček motoru nebo řezáním dřeva, se ujistěte, že je brzda řetězu v poloze „run“ (práce s pilou) zatažením za páku brzdy/chránič ruky.

⚠ VAROVÁNÍ

Pokud nepustíte spouštěč, aby motor mohl zpomalit otáčky při sepnutí bezpečnostní brzdy, může dojít k poškození motoru. Nikdy nedržte současně spouštěč, pokud je v činnosti brzda řetězu.

Spouštění teplého motoru:

Viz strana 281.

1. Přepněte zapalovací spínač do polohy ON (ZAPNUTO).
2. Ubezpečte se, že je brzda řetězu v poloze BRAKE zatažením za páku/chránič ruky směrem vpřed.
3. Stiskněte 10-krát hlavičku startéru.
4. Vytáhněte páku sytiče zcela ven do polohy „START“ a poté ji zatláčte zpět do polohy „RUN“.
5. Tahejte za rukojeť startéru, dokud se motor nespustí, ale ne více než 5krát. Stiskněte spoušť uvolnění a zmáčkněte spoušť plynu, poté uvolněte spoušť plynu pro návrat motoru na volnoběh. Pokud se motor nenastartuje po 5 zatažení, použijte postup pro startování studeného motoru.
6. Před zvýšením otáček motoru nebo řezáním dřeva, se ujistěte, že je brzda řetězu v poloze „run“ (práce s pilou) zatažením za páku brzdy/chránič ruky.

PŘEPÍNÁNÍ MEZI PROVOZNÍMI REŽIMY

Viz strana 287.

Výrobek je vybaven režimem proti zamrznutí, který zabráňuje tvorbě ledu uvnitř karburátoru během provozu při teplotách ≤5 °C.

Ventilační příklop na pravé straně krytu vzduchového filtru lze přemístit, aby se teplý vzduch dostal do motoru a

zabrání tak tvorbě ledu uvnitř karburátoru.

VAROVÁNÍ

Pokud nepřepnete z normálního režimu do režimu proti zamrznutí při teplotách $\leq 5^{\circ}\text{C}$, sníží se výstupní výkon motoru nebo dojde k selhání motoru.

Nikdy nezapomeňte vrátit výrobek do normálního provozního režimu, pokud nehrozí riziko tvorby ledu uvnitř karburátoru. Nepřepnutí z režimu proti zamrznutí do normálního režimu při normálních teplotách může způsobit selhání (přehřátí) motoru.

ZASTAVENÍ MOTORU

Dejte prst ze spouštěče a počkejte, dokud motor nezpomalí. Motor nářadí se vypíná nastavením vypínače do polohy "O", tj. do polohy "VYPNUTO". Řetězovou pilu nepokládejte na zem, pokud se řetěz ještě otáčí. Pro zvýšení bezpečnosti zajistěte řetěz bezpečnostní brzdou, pokud řetězovou pilu nepoužíváte.

Pokud nedojde k zastavení řetězové pily, zatáhněte za páčku startéru až do krajní polohy a aktivujte brzdu řetězu, tím se motor zastaví. Pokud nelze zastavit řetězovou pilu hlavním vypínačem (po přepnutí do polohy "O"), je nutné nechat vypínač opravit. Do té doby je nutné vyřadit řetězovou pilu z provozu, abyste se zbytečně nedostali do nebezpečné situace a nezpůsobili si vážný úraz.

POZNÁMKA: Jakmile již výrobek nebudete používat, povolte mírně uzávěry olejové a palivové nádrže, aby došlo k vyrovnání tlaků, a poté opět uzávěry utáhněte. Před uskladněním nechte motor vychladnout.

DRŽENÍ VÝROBKU

Viz strana 273.

Vždy držte řetězovou pilu pravou rukou na zadní rukojeti a levou rukou na přední rukojeti. Držte řetězovou pilu pevně oběma rukama, palce a prsty musí obepínat rukojeti. Zajistěte, aby levá ruka držela přední rukojet tak, že je palec dole.

KONTROLA A PROVOZ BRZDY ŘETĚZU

1. Levou rukou uchopte přední rukojet pro aktivaci brzdy řetězu. Hřbetem ruky tlačte brzdu řetězu stlačením páčky brzdy řetězu/chrániče ruky směrem k liště, až se začne řetěz rychle otáčet. Vždy za všech okolností držte výrobek oběma rukama.
2. Uvolněte brzdu řetězu uchopením a přesunutím páčky brzdy řetězu/chrániče ruky směrem k přední rukojeti. Při uvolnění brzdy lze slyšet cvaknutí.

VAROVÁNÍ

Pokud brzda řetězu ihned nezastaví řetěz, nebo je třeba brzdu řetězu přidržovat, aby se nesesnula sama, před dalším použitím pily nechte pilu zkontrolovat a opravit v autorizovaném servisu.

VAROVÁNÍ

Pokud se spoušť plynu uvolní a motor běží ve volnoběhu, nesmí se řetěz pohybovat. Pokud tomu není, hrozí nebezpečí vážného poranění obsluhy. Nepoužívejte výrobek, vraťte jej do autorizovaného servisního centra pro profesionální seřízení.

KONTROLA SPOJKY

1. Uvolněte brzdu řetězu zatažením páky brzdy řetězu/chrániče ruky směrem k přední rukojeti, deaktivace je signalizována cvaknutím.
2. Nechte běžet motor na volnoběh. Ujistěte se, že řetěz pily se neotáčí. Pokud řetěz otáčí, zatímco běží při volnoběžných otáčkách, může dojít k poškození spojky. Nepoužívejte nástroj. Obráťte se pro profesionální seřízení a opravu na autorizované servisní centrum.
3. Stiskněte spoušť plynu do poloviny a provozujte výrobek při poloviční rychlosti. Řetěz by se měl hladce otáčet, pokud je spojka v dobrém stavu.

Příčiny a prevence zpětnému vrhu:

Pokud konec vodící lišty narazí na cizí předmět nebo dojde k zablokování řetězu při řezání, existuje nebezpečí zpětného vrhu.

Dotyk vrcholem vodící lišty může v některých případech způsobit náhlu zpětnou reakci, což je vyhození vodící lišty nahoru a zpět směrem k obsluze.

Sevíření řetězu pily na horní části vodící lišty může vodící lištu rychle zatlačit zpět směrem k obsluze.

Jakákoliv z těchto reakcí může způsobit ztrátu kontroly nad nástrojem, což by mohlo mít za následek vážné poranění osob. Nespoléhejte pouze na ochranné prvky řetězové pily. Při obsluze řetězové pily je třeba dodržovat opatření k zajištění bezpečnosti a ochrany zdraví při práci.

Zpětný vrh je následkem nesprávného používání nástroje anebo nesprávných pracovních postupů nebo podmínek a lze se jim vyhnout prováděním správných opatření, viz níže:

- **Udržujte pevný úchop, palce a prsty obepínají rukojeti řetězové pily, oběma rukama na řetězové pile a rozestavte své tělo a ruce tak, abyste odolávali silám zpětného vrhu.** Síly zpětného vrhu mohou být ovládnuty obsluhou, pokud provede správná opatření. Řetězovou pilu neopouštějte.
- **Nepřeceňujte se a neřežte nad úroveň ramen.** Toto pomáhá zabránit neúmyslnému kontaktu s vrcholem vodící lišty a umožňuje lepší ovládání řetězové pily v neočekávaných situacích.
- **Používejte pouze náhradní vodící lišty a řetězy určené výrobcem.** Nesprávné náhradní vodící lišty a řetězy mohou způsobit zlomení řetězu anebo zpětný vrh.
- **Dodržujte pokyny výrobce pro údržbu řetězové pily.** Zmenšení výšky hloubkoměru může vést ke zvýšenému zpětnému vrhu.

TLAK A TAH

Viz strana 279.

Zpětné působení (reakce) je vždy v opačném směru oproti

směru otáčení řetězu. Proto musí být obsluha připravena zvládnout tendenci nástroj odtažením (pohyb dopředu), při řezání na spodní straně lišty a tlačení dozadu (směrem k obsluze) při řezání horní stranou.

PILA ZASEKNUTA V ŘEZU

Zastavte řetězovou pilu a zabezpečte ji. Netlačte na řetěz ani lištu, abyste ji dostali z řezu, protože se snadno zlomí řetěz, který pak následně odletí směrem k obsluze. K situaci dochází, pokud není dřevo řádně podepřeno, což nutí řez uzavírat pod tlakem s následkem sevření lišty. Pokud úpravou podpěry neuvolníte řetěz ani lištu, použijte dřevěné klíny nebo páku k otevření řezu a uvolnění výrobku. Nikdy se nepokoušejte spustit řetězovou pilu, když je vodící lišta již v řezu či zářezu.

POKYNY TÝKAJÍCÍ SE SPRÁVNÉ TECHNIKY PRO ZÁKLADNÍ KÁCENÍ, ODVĚTOVÁNÍ A PŘÍČNÉ ŘEZÁNÍ

Pochopení sil ve dřevě

Pokud porozumíte směrovým tlakům a pnutí ve dřevě můžete redukovat počet „sevření“, nebo je alespoň očekávat během řezání. Pnutí ve dřevě znamená, že vlákna dřeva jsou tažena od sebe a pokud vedete „zářez“ v této oblasti, nebo řez, bude mít tendenci se uvolňovat při púchodu pily. Je-li poleno podepřeno na stojanu pro dřevo („koza“) a konec visí nepodepřen pak je pnutí vytvářeno pnutí vláken na horní straně hmotnosti převislé části polena. Stejně tak je napnutá i spodní strana polena a vlákna jsou tlačena k sobě. Pokud je řez prováděn v této oblasti, bude mít zářez tendenci se během řezání uzavírat. Může dojít k sevření lišty.

Kácení stromu

Viz strana 277 - 278.

Při přeřezávání a kácení jsou zapotřebí dvě a více osob současně, kácení by se mělo provádět odděleně od přeřezávání do vzdálenosti alespoň dvojnásobku výšky káceného stromu. Strom se nesmí kácet tak, aby neohrožoval žádné osoby, narážel do jakékoliv technického zařízení nebo způsobil jakékoliv vážné poškození. Pokud se strom dostane do kontaktu s nějakým technickým zařízením, musí se ihned kontaktovat firma, která toto zařízení provozuje.

Pokud má terén sklon, stůjte vždy nahoře na svahu, neboť pokácený strom se může skoulet ze svahu dolů.

Úniková cesta by se měla naplánovat a dle potřeby vyčistit před začátkem řezání. Úniková cesta by měla směřovat dozadu a úhlopříčně k předpokládané dráze pádu.

Než začnete kácet, uvědomte si přirozený náklon stromu, umístění velkých větví a směr větru, abyste posoudili, kterým směrem bude strom padat.

Ze stromu odstraňte nečistoty, kameny, volnou kůru, hřebíky, těmeny a drát.

Nekácejte stromy, které jsou strouchnivělé nebo byly poškozeny větrem, ohněm, bleskem atd. Je to velmi nebezpečné, proto přenechte tuto práci profesionálům.

■ Zářez

Viz strana 277 - 278.

Proveďte zásek do 1/3 průměru kmenu stromu ze strany, kam bude strom padat. Proveďte nejprve spodní vodorovný řez. Pomáhá to proti sevření buď řetězu pily

nebo vodící lišty, když by se provedl nejprve vodorovný zářez.

■ Hlavní řez

Viz strana 277 - 278.

Hlavní řez provádějte minimálně 50 mm (2 palce) nad vodorovným zářezem záseku. Hlavní řez provádějte rovnoběžně s vodorovným řezem záseku. Zajistěte, aby při hlavním řezu zůstal dostatečný nedořez. Nedořez zabraňuje otáčení stromu a pádu nesprávným směrem. Neprořezávejte nedořez.

Jakmile bude hlavní řez blízko nedořezu, měl by strom začít padat. Je-li nějaká možnost, že strom nebude padat požadovaným směrem nebo se nakloní zpět a sevře řetězovou pilu, zastavte řezání před dokončením hlavního řezu a použijte klín ze dřeva, plastu nebo hliníku abyste hlavní řez otevřeli a nechli padnout strom do požadovaného směru.

Jakmile začne strom padat, vyndejte řetězovou pilu z řezu, zastavte motor, položte pilu, pak použijte dřevo naplávanou únikovou cestu. Dávejte si pozor na pád horních větví a sledujte své postavení.

Řezání kořenových náběhů

Viz strana 278.

Kořenový náběh je kořen vedoucí z kmene až k zemi. Než začnete kácet strom, odřežte kořenové náběhy. Proveďte nejdříve vodorovný zářez do kořenového náběhu a poté svislý zářez. Odstraňte odřezané části z pracovní zóny. Po odstranění náběhových kořenů můžete začít s kácením.

Rozřezávání kmene

Viz strana 279.

Rozřezávání kmene je řezání na požadované délky. Je důležité, abyste si zajistili pevné postavení a rovnoměrně rozmístili svou hmotnost na obě nohy. Je-li to možné, nadzvedněte a podepřete kmen pomocí větví, kmenů nebo špalků. Nechte se vést přirozeným směrem pro snadné řezání. Je-li kmen podepřen po celé délce, vedte řez seshora (horní řez).

Je-li kmen podepřen na jednom konci, vedte řez zesponu do 1/3 (zesponu nahoru). Pak proveďte konečný řez seshora, tak abyste se setkali s prvním řezem.

Je-li kmen podepřen na jednom konci, vedte řez shora do 1/3 (shora dolů). Pak proveďte konečný řez zesponu do zbylých 2/3 tak, abyste se setkali s prvním řezem.

Když řezáte na svahu, vždy stůjte na horní straně pokáceného kmenu. Při přeřezávání, pro udržení maximální kontroly, uvolněte řezací tlak na konci řezu bez uvolnění úchopu na rukojetích řetězové pily. Nedovolte, aby řetěz přišel do kontaktu se zemí. Po dokončení řezu počkejte, až se řetěz pily zastaví, pak teprve pilu přesunujte. Před přechodem od stromu ke stromu vždy vypněte motor.

Odvětvoování stromu

Viz strana 280.

Odvětvoování je odstraňování větví z poraženého stromu. Při odvětvoování ponechejte spodní větve jako podporu kmenu na zemi. Malé větve odstraňujte v jedno řezu. Velké větve pod pnutím by se měly ořezávat z horní strany, aby se zabránilo sevření řetězové pily.

Odřezávání bočních šlahounů

Viz strana 280.

Šlahoun je větev, pokácený strom nebo část keře, která se ohnula pod váhou dřeva a která se náhle vymršτί, jakmile začnete fezat nebo vyndávat kládu, která tento živý šlahoun drží.

Pokácený strom se může vymršτί do svislé polohy při odřezávání od kmene. Tyto živé překážky jsou nebezpečné. Nepokoušejte se fezat ohnuté větve nebo kmeny, které jsou napnuty, pokud nejste odborně vyškoleni a k tomu způsobilí.

TRANSPORT A SKLADOVÁNÍ

- Vypněte motor, aktivujte brzdu řetězu, odpojte zapalovací kabel od zapalovací svíčky a nechejte vychladnout před přepravou nebo skladováním výrobku.
- Odstraňte z výrobku všechny cizí materiály.
- Vylijte palivo z nádrže do kanystru nebo do jiné nádoby, ve které lze uchovávat benzín. Nezapomeňte správně vrátit a utáhnout víko palivové směsi.
- Zapněte motor a nechte ho běžet, dokud se sám nevypne pro nedostatek paliva. Tím se z nádrže odčerpá všechny benzín a odstraní se zbytky, které by se mohly usadit v potrubí.
- Veškerý olej určený k mazání vodící lišty a řetězu nalijte do nádoby, která splňuje požadavky na přepravu a skladování pohonných hmot. Nezapomeňte správně vrátit a utáhnout víko maziva řetězu.
- Vždy před skladováním nebo při přepravě umístujte kryt vodící lišty.
- Ukládejte v chladných, suchých a dobře větraných prostorech, které nejsou přístupné dětem. Nářadí neuskladňujte v blízkosti žiravých látek, jako například v blízkosti zahradkářských nebo zahradnických chemických přípravků nebo soli na zimní spání komunikací. Neskladňujte mimo budovu.
- Přenášíte-li výrobek na krátkou vzdálenost (z jedné pracovní oblasti do druhé), vždy použijte brzdu tak, že se u řetězu zablokuje jeho pohyb.
- Při transportu výrobku zajistěte proti pohybum nebo pádu, abyste zabránili poranění osob nebo poškozování výrobku.
- Nepřenášejte či nepřeppravujte nástroj, když běží.

Dodržte veškeré národní závazné předpisy v oblasti přepravy a skladování pohonných hmot. Zbylé palivo můžete použít pro jiné nářadí vybavené dvoudobým motorem.

ÚDRŽBA

Vždy udržte výrobek v dobrém provozním stavu.

VAROVÁNÍ

Používejte pouze originální příslušenství, doplňky a náhradní díly výrobce. Zanedbání může zapříčinit možné poranění, slabý výkon a může dojít ke ztrátě záruky.

VAROVÁNÍ

Údržba vyžaduje extrémní péči a znalosti a měla by být prováděna pouze kvalifikovaným servisním technikem. Pro opravu nebo servis doporučujeme výrobek vrátit do nejbližšího pověřěného opravárenského střediska. Pokud opravujete, používejte pouze stejné náhradní díly.

VAROVÁNÍ

Před prohlídkou, čištěním nebo údržbou výrobku vypněte motor, aktivujte brzdu řetězu, odpojte zapalovací kabel od zapalovací svíčky. Nedodržení tohoto pokynu může způsobit vážné zranění nebo materiální škody.

- Můžete provádět v návodu k obsluze uvedené opravy a seřizení. Další opravy se smí provádět pouze u pověřěných servisních prodejců.
- Důsledky nesprávné údržby mohou způsobit, že brzda řetězu a další bezpečnostní prvky nebudou správně fungovat, to znamená možnost vážného poranění. Udržujte svou řetězovou pilu profesionálně udržovanou a bezpečnou.
- Bezpečné ostření řetězu je odborný úkol. Proto výrobce velmi doporučuje opotřebený nebo tupý řetěz nahradit novým, který je dostupný u pověřěného servisního střediska. Číslo dílu je uvedeno v tabulce specifikací produktu v tomto návodu.
- Postupujte dle pokynů pro mazání, napnutí řetězu, kontrolu a seřizení.
- Po každém použití seřete nástroj měkkým a suchým hadříkem.
- Zkontrolujte všechny šrouby, matice v častých intervalech na řádné utažení, aby se zajistilo, že výrobek bude pracovat v bezpečných pracovních podmínkách. Jakýkoliv poškození díl je nutné správně opravit nebo nechat vyměnit v autorizovaném servisním středisku.

VÝMĚNA VODÍCÍ LIŠTY A ŘEZACÍHO ŘETĚZU

Viz strana 282 - 285.

1. Zastavte zařízení. Použijte ochranné brýle.
2. Uvolněte brzdu řetězu.
3. Odšroubujte šroub uzamknutí vodící lišty a sejměte kryt ozubeného kola.
4. Sundejte vodící lištu a řetěz z nástroje.
5. Vyčistěte spodní stranu řetězového kola.
6. Pro výměnu lišty za novou uvolněte šroub sestavy napínání řetězu. Namontujte sestavu napínání řetězu na novou lištu a utáhněte matici.
7. Připevněte vodící lištu a sestavu napnutí řetězu na řetězovou pilu. Spusťte vodící lištu dolů tak, aby šroub procházel otvorem v liště a sestavu napnutí řetězu.
8. Jednotlivé řezné články řetězu musí být otočeny ve směru otáčení řetězu. Pokud směřují obráceně, otočte celý řetěz.
9. Umístěte smyčku kolem hnacího řetězového (ozubeného) kola. Nasadte vodící lištu do drážky vodící lišty. Pokud je to nutné, otáčejte sestavu napnutí řetězu pro poskytnutí určitého napnutí řetězu, které jej pomůže udržovat v poloze.
10. Nasadte kryt ozubeného kola.

11. Nastavte napnutí řetězu. Přečtěte si informace uvedené v části „Seřízení napnutí řetězu“.

ČIŠTĚNÍ VZDUCHOVÉHO FILTRU

Viz strana 290.

1. Zastavte zařízení. Ujistěte se, že je brzda řetězu v poloze brzdy.
2. Povolte pojistný šroub na krytu vzduchového filtru a vyjměte jej z výrobku.
3. Vyjměte vzduchový filtr.
4. Odstraňte prach a nečistoty na vzduchovém filtru kartáčem. Pokud je to nutné, rozdělte vzduchový filtr plochým šroubovákem a nitro vyčistěte.
5. Nasadte kryt vzduchového filtru a utáhněte pojistný šroub.

ČIŠTĚNÍ LAPAČE JISKER

Viz strana 291.

VAROVÁNÍ

Tlumič je horký během provozu a po provozu výrobku. Abyste omezili riziko zranění, nedotýkejte se tlumiče v průběhu a po ukončení provozu.

1. Zastavte zařízení. Ujistěte se, že je brzda řetězu v poloze brzdy. Nechte tlumič vychladnout.
2. Vyšroubujte šroub držící kryt tlumiče na hrotovém dorazu, pak odeberte dvě matice na krytu tlumiče.
3. Odstraňte kryt tlumiče.
4. Vyjměte lapač jisker. Pomocí malého drátěného kartáče vyčistěte mřížku lapače jisker.
5. Nasadte kryt tlumiče. Pro navrácení krytu tlumiče zopakujte tyto kroky v opačném pořadí.

VAROVÁNÍ

Hrotový doraz je bezpečnostní funkce výrobku. Zajistěte správným šroubem po výměně krytu tlumiče. Nedodržování těchto pokynů může mít za následek vážné poranění osob nebo smrt.

KONTROLA A ČIŠTĚNÍ BRZDY ŘETĚZU

Viz strana 294.

- Mechanismus brzdy řetězu vždy udržujte čistý pomocí kartáče.
- Po vyčištění vždy zkontrolujte výkon brzdy řetězu.
- Více informací naleznete v kapitole „Provoz - Kontrola a provoz brzdy řetězu“.

SEŘÍZENÍ OTÁČEK MOTORU A KARBURÁTORU

VAROVÁNÍ

Nesprávné seřízení karburátoru může zvýšit riziko úrazů, nehod se smrtelnými následky nebo poškození výrobku. Pro nastavení karburátoru vraťte výrobek do autorizovaného servisního centra.

PLÁN ÚDRŽBY

Denní kontroly	
Směs paliva	Před každým použitím
Mazání lišty	Před každým použitím
Napnutí řetězu	Před každým použitím a pravidelně
Spojka angažovanost (řetěz se při volnoběhu neatáčí)	Před každým použitím
Ostroť řetězu	Před každým použitím, vizuální kontrola
Poškozené součásti	Před každým použitím
Uvolnění spojovacích prvků	Před každým použitím
Uvolnění součástí	Před každým použitím
Funkce brzdy řetězu	Před každým použitím
Pro úniky paliva	Před každým použitím

PROHLÍŽEJTE A ČIŠTĚTE:

Lišta	Před každým použitím
Úplnost pily	po každém použití
Vzduchový filtr	Každých 5 hodin*
Bezpečnostní brzda řetězu	Každých 5 hodin*
Výměna palivového filtru	Ročně
Výměna palivového filtru	Ročně

*Hodin provozu

ZBYTKOVÁ RIZIKA

Dokonce, i když se výrobek provozuje jak je předepsáno, je stále nemožné zcela eliminovat veškeré zbytkové rizikové faktory. Následující nebezpečí mohou nastat při používání; vyhýbejte se:

- Poranění způsobené vibracemi. Pro danou práci vždy používejte správný nástroj, navržené rukojeti a dodržujte pracovní dobu a expozici.
- Vystavování hluku může způsobit poškození sluchu. Noste ochranu sluchu a omezte vystavení.
- Kontakt s vystaveným pilovým zubem řetězu pily (nebezpečí pořezání).
- Nepředvídaný, náhlý pohyb či zpětný ráz vodící lišty (nebezpečí pořezání).
- Od řetězu pily odlétávající částice (nebezpečí pořezání/vpichnutí).

- Odmršťování úlomků obrobku (piliny, třísky).
- Vdechování prachu při řezání a částic nebo emisí ze spalovacího motoru.
- Kontakt kůže s palivem/olejem.

SNÍŽENÍ RIZIKA

Bylo zjištěno, že vibrace z ručních pracovních nástrojů mohou u některých osob přispívat ke stavu tzv. Raynaud's Syndrome (Raynaudovu syndromu). Mezi jeho příznaky patří brnění, necitlivost a zblednutí prstů, patrné obvykle po pobytu v chladu. Vědci se domnívají, že k rozvinutí těchto příznaků přispívají dědičné faktory, pobyt v chladu a vlhku, strava, kouření a pracovní návyky. Uživatel může omezit případné působení vibrací použitím vhodných opatření:

- Za chladného počasí se teple oblečte. Při práci s výrobkem si navlékněte rukavice, abyste udrželi ruce a zápěstí v teple. Bylo zjištěno, že chladné počasí je hlavním faktorem přispívajícím k Raynaud's Syndrome (Raynaudovu syndromu).
- Během práce si v pravidelných intervalech zacvičte, abyste zvýšili krevní oběh.
- Zařaďte časté pracovní přestávky. Omezte dobu práce za den.
- U profesionálních prodejců řetězových pil jsou k dispozici speciální ochranné rukavice poskytující ochranu a dobrý úchop. Rukavice také snižují účinek vibrací rukojeti. Rukavice musí být ve shodě s EN 381-7 a označeny značkou CE

Jakmile pocítíte některý z výše uvedených příznaků tohoto syndromu, okamžitě přerušte práci a vyhledejte lékaře.

VAROVÁNÍ

Poranění mohou být způsobena, či zhoršena, prodlouženým používáním nástroje. Když používáte jakýkoliv nástroj delší dobu, dělejte pravidelně přestávky.

POZNEJTE SVŮJ NÁSTROJ

Viz strana 271.

SOUČÁSTI

1. Ostrá část řetězu
2. Vodicí lišta
3. Ochranný kryt ruky/bezpečnostní brzda řetězu
4. Přední rukojeť
5. Kryt vzduchového filtru
6. Rukojeť startovacího kabelu (hnací část spouštěče)
7. Zadní rukojeť
8. Špička nárazníku
9. Kryt tlumiče
10. Uzávěr palivové nádrže
11. Uzávěr olejové nádrže
12. Spínač zapalování
13. Pojistka proti nechtěnému spuštění nářadí
14. Spouštěč - zvyšování otáček
15. Čerpadlo
16. Páčka startéru
17. Kombinovaný klíč
18. Kryt ozubeného kola

19. Úchytka lišty
20. Seřizovací kroužek napnutí řetězu
21. Zamykací šroub vodicí lišty
22. Údržba vodicí lišty

BEZPEČNOSTNÍ ZAŘÍZENÍ

ŘETĚZ OMEZUJÍCÍ NEBEZPEČÍ ZPĚTNÉHO VRHU

Slabý zpětný vrh pomáhá redukovat possibility plného zpětného vrhu.

Omezovací zuby pilového řetězu mohou potlačit efekt zpětného vrhu a zamezit tak, aby zuby pily pronikly příliš hluboko do oblasti zpětného vrhu. Používejte pouze náhradní vodicí lišty a řetězy doporučené výrobcem.

Po nabroušení řetězu buďte velmi opatrní, při naostření se oslabí ochrana proti zpětnému vrhu. Pro vaši bezpečnost měňte pilový řetěz když se řezací výkon sníží.

ŠPIČKA NÁRAZNÍKU

Integrovaná špička nárazníku se může používat otočená, když provádíte řez. Pomáhají udržovat stabilitu těla řetězové pily během řezání. Při řezání tlačte nástroj dopředu, dokud se ozubené opěrky nebudou dotýkat okraje dřeva, pak pohybem zadní rukojeti nahoru nebo dolů ve směru řezu může zmírnit fyzickou zátěž řezání.

VODICÍ LIŠTA

Obecně platí, že vodicí lišty s malými poloměry špičky mají nižší potenciál zpětného rázu (vrhu). Používejte pouze náhradní vodicí lišty a řetězy doporučené výrobcem. Použití nedoporučených vodicích lišt zvyšuje riziko ztráty kontroly při řezání. Pravidelně kontrolujte napnutí řetězu. Při řezání menších větví (méně než celá délka vodicí lišty) je více než pravděpodobné, že nesprávně napnutý řetěz bude odhazován.

BEZPEČNOSTNÍ BRZDA ŘETĚZU

Cílem bezpečnostní brzdy je rychle zastavit řetěz. Řetěz se musí rychle zastavit, jakmile je brzdová páčka/ochranný kryt ruky sklopena dopředu. Brzda řetězu nezabrání efektu zpětného vrhu. Řádné napnutí tedy snižuje riziko poranění obsluhy způsobené řezací lištou při plném zpětném vrhu. Brzda řetězu by se měla kontrolovat před každým použitím na řádnou funkci jak v jejím běhu a brzdných polohách.

ÚCHYTKA LIŠTY

Zachytávač řetězu brání pilovému řetězu při vymrštění zpět směrem k obsluze, pokud se řetěz uvolní nebo roztrhne.

SYMBOLY NA VÝROBKU



Bezpečnostní výstraha



Řádně si návod přečtete, porozumíte veškerým pokynům a dodržíte všechny bezpečnostní pokyny a bezpečnostní varování.



Používejte ochranu zraku, hlavy a sluchu.



Noste neklouzavou bezpečnostní obuv, když používáte tento výrobek.



Navlékněte si pevné neklouzavé rukavice.



Zabraňte zpětnému vrhu řetězové pily a kontaktu se špičkou vodící lišty.



Řetězovou pilu držte pevně oběma rukama.



Řetězovou pilu nikdy neobsluhujte jen jednou rukou.



Toto nářadí je v souladu se všemi normami a předpisy platnými v zemi EU, ve které bylo zakoupeno.



Používejte pouze bezolovnatý benzin pro motorová vozidla s oktanovým číslem 91 (IR + M)/2) nebo více.



Používejte olej pro 2 dobé motory chlazené vzduchem.



Palivo důkladně promíchejte a opět ho zamíchejte vždy před použitím.



Přidávejte olej pro lištu a řetěz vždy, když doplňujete palivo řetězové pily.



Nastavte brzdou řetězu do polohy provozu pily (RUN).



Nastavte brzdou řetězu do polohy brzdy (BRAKE).



Přepněte zapalovací spínač do polohy ON (ZAPNUTO).



Stiskněte 7 krát hruškový balónek .



Nastavte páku sytiče do polohy „FULL“.



Přitáhněte rukojeť spouštěče směrem k sobě (ne víc než pětkrát za sebou) a počkejte, dokud motor nenaskočí.



Nastavte páku sytiče do polohy „HALF“.



Tahejte za rukojeť spouštěče, až se spustí.



Stiskněte uvolňovač spouště a spoušť plynu.



Euroasijská značka shody



Zaručená hladina akustického výkonu je 112 dB.



Olej pro lištu a řetěz



Bezolovnatý benzin a olej pro 2dobé motory.



Pracovní poloha



Poloviční poloha sytiče



Polohy „FULL“



Zamknuto



Odemknuto



Otáčejte pro seřízení napnutí řetězu

+ = Utáhněte řetěz

- = Uvolnění řetězu

Směr pohybu řetězu (Vyznačeno pod krytem ozubeného kola)



Normální režim



Režim proti zamrznutí

T

Nastavení volnoběhu

H

Seřizovací šroub vysoké rychlosti

L

Seřizovací šroub nízké rychlosti

SYMBOLY V NÁVODU

poškození.



Benzín míchejte na vzduchu, v bezpečné vzdálenosti od zdrojů jiskření a otevřeného ohně.



Při míchání paliva a plnění palivové nádrže nekuřte.



Díly nebo příslušenství jsou v prodeji samostatně



Odpad elektrických výrobků se nesmí likvidovat v domovním odpadu. Recyklujte prosím na sběrných místech.



Poznámka



Varování!



Noste ochranu sluchu a obličjeje.



Noste ochranu horní části těla.



Noste ochranu dolních končetin.



Zastavte zařízení.



Zamkněte přístupový kryt filtru.



Odemkněte přístupový kryt filtru.

Následující signální slova a významy jsou vhodné pro vysvětlení úrovní nebezpečí spojených s tímto výrobkem.

NEBEZPEČÍ

Označuje bezprostředně rizikovou situaci, které je třeba předejít, jinak bude jejím následkem smrt nebo vážné zranění.

VAROVÁNÍ

Označuje možnou rizikovou situaci, které je třeba předejít, jinak jejím následkem může být smrt nebo vážné zranění.

VAROVÁNÍ

Označuje možnou rizikovou situaci, které je třeba předejít, jinak jejím následkem může být smrt nebo vážné zranění.

VAROVÁNÍ

Bez symbolu bezpečnostní výstrahy

Určuje situaci, která může mít za následek vážné

A(z) Benzines láncfűrész tervezésekor a biztonság, a teljesítmény és a megbízhatóság voltak a legfontosabb szempontok.

RENDELTETTÉSSZERŰ HASZNÁLAT

A termék csak kültéri, jól szellőztetett területen való használatra készült. Biztonsági okokból a terméket mindig kétkézes műveletekkel kell irányítani.

A termék a láncvezető vágáshossza által meghatározott átmérőjű ágak, törzsek, rönkök és tönkök vágására alkalmas. Kizárólag fa vágása készült. Csak otthoni alkalmazásra használható olyan felnőttek által, akik megfelelő képzést kaptak a veszélyekről és a használatkor betartandó megelőző utasításokról/műveletekről.

Ne használja a terméket a fent leírtaktól eltérő célra. A láncfűrész nem használható professzionális favágási célokra. A terméket nem használhatják gyerekek, illetve megfelelő személyi védelmi eszközöket és ruházatot nem viselő személyek.

▲ FIGYELMEZTETÉS

A termék használatakor a biztonsági szabályokat be kell tartani. A saját és mások biztonsága érdekében a termék használata előtt el kell olvasnia és teljesen meg kell értenie ezt az útmutatót. Részt kell vennie egy a láncfűrész használatával, megelőző műveletekkel, elsősorlag és karbantartással kapcsolatos professzionális biztonsági tanfolyamon. Tartsa meg a kézikönyvet, hátha a későbbiekben szüksége lehet rá.

▲ FIGYELMEZTETÉS

A láncfűrészek potenciálisan veszélyes gépek. A láncfűrészek használatával összefüggő balesetek sokszor végtagvesztést vagy halált okoznak. Nem csak maga a láncfűrész veszélyes. A leeső ágak, kidőló fák, guruló rönkök is ölhetnek. A beteg vagy rothadó tönkök további veszélyt jelentenek. Minden erejével a feladat biztonságos befejezésére kell összpontosítania. Bármilyen kétség esetén hagyja a munkát egy profi favágóra.

ÁLTALÁNOS BIZTONSÁGI FIGYELMEZTETÉSEK

- Egyes régiókban olyan előírások érvényesek, amelyek korlátozzák a termék használatát. További információért forduljon a helyi önkormányzatához.
- Ne hagyja, hogy gyerekek vagy a termék használatát nem ismerő felnőttek használják a terméket. A helyi előírások korlátozhatják a kezelő életkorát.
- Minden használat előtt ellenőrizze, hogy az összes kezelőszerv és biztonsági eszköz megfelelően működik. Ne használja a gépet, ha a főkapcsoló nem állítja le a motort.
- Zárt vagy rosszul szellőző helyiségben soha ne indítsa be vagy járassa a motort; a kipufogógázok belégzése életveszélyes lehet.
- Minden használat előtt tisztítsa meg a munkaterületet, a zsúfolt és rendetlen munkaterület balesetekhez

vezethet.

- A termék működtetése közben viseljen teljes szem- és fülvédőt, erős munkakesztyűt, csúszámentes biztonsági lábbelit, valamint fejdőöt. Poros műveletek végzésekor viseljen arcmaszkot.
- Ne vegyen fel laza ruhát, rövidnadrágot, illetve semmilyen ékszert.
- Ha hosszú a haja, azt a vállvonal felett rögzítse, nehogy beakadjon valamilyen mozgó alkatrészbe.
- Figyeljen a kivetett, repülő vagy leeső tárgyakra. Az nézelődők, különösen a gyerekek és a háziállatok, legyenek legalább 15m -es távolságra a használati területtől.
- Soha ne működtesse a terméket robbanásveszélyes vagy gyúlékony környezetben.
- A termék használata közben erősen fogja mindkét fogantyút.
- Az egység működtetésekor legyen mindig éber, figyeljen arra, amit csinál és használja a józan eszét. Ne használja a terméket, ha fáradt, beteg vagy alkoholt, gyógyszereket, illetve más tudatmódosítókat hatása alatt áll. Ha a gép használata közben nem figyel oda arra, amit csinál, az súlyos személyi sérüléshez vezethet.
- Ne használja a gépet gyenge megvilágítás esetén. A kezelőnek tiszta rálátással kell rendelkeznie a munkaterületre, hogy azonosíthassa a potenciális veszélyeket.
- Fülvédő viseletek csak korlátozottan hallja a figyelmeztetéseket (riasztást vagy kiáltást). A kezelőnek jobban oda kell figyelnie arra, hogy mi folyik a munkaterületen.
- Hasonló gépek egymás közelében történő használata növeli a halláskárosodás veszélyét, valamint annak veszélyét, hogy más személyek lépnek be az Ön munkaterületére.
- Stabílan álljon és vegyen fel megfelelő egyensúlyt. Ne hajoljon ki túlságosan. A túlzott kinyúlás egyensúlyvesztést vagy a forró részeknek való kitettséget eredményezhet, és növelheti a visszarúgás kockázatát.
- A testrészeit tartsa távol a mozgó alkatrészekről.
- Ne érjen a gép hangtompítója vagy a motor körüli területekhez, mert ezek a részek működés közben felforrósodnak.
- Minden használat előtt vizsgálja át a gépet. Ellenőrizze az összes kezelőszerv megfelelő működését, beleértve a láncfétet is. Keressen meglazult kötőelemeket, ügyeljen rá, hogy minden a védőburkolat és fogantyú megfelelően fel legyen szerelve és rögzítve. Használat előtt cserélje ki az összes sérült alkatrészt.
- Semmilyen módon ne módosítsa a gépet vagy használjon a gyártó által nem ajánlott alkatrészeket és tartozékokat.

EN
FR
DE
ES
IT
NL
PT
DA
SV
FI
NO
RU
PL
CS
HU
RO
LV
LT
ET
HR
SL
SK
BG

▲ FIGYELMEZTETÉS

Ha a gép leesett, erős ütést kapott vagy rendellenesen kezd vibrálni, azonnal állítsa le a gépet, és vizsgálja át sérülések tekintetében vagy azonosítsa a vibráció okát. Minden sérülést hivatalos szervizközpontban kell megjavíttatni vagy kicseréltetni.

- Amikor üzemanyagkeveréskor vagy töltési üzemanyagtartály, ne dohányozzon, és folyamatosan 10 m-re mindenfajta gyújtóforrástól.
- A benzint egy olyan, homologizált benzintartályban keverje össze, amelyet erre a célra gyártottak és hagytak jóvá.
- Az üzemanyagot a szabadban, minden szikraes gyújtóforrástól távol keverje. Törölje le a kifolyt benzint. Menjen 10 m (30 láb) távolságra az újratöltés helyétől a motor beindítása előtt.
- A gép üzemanyaggal való feltöltése, tárolása és szállítása előtt állítsa le a motort és hagyja lehűlni.
- Ne felejtse el megfelelően lezárni az üzemanyagtartály/ tartálysapkát az üzemanyag keverése vagy feltöltése után.

LÁNCFŰRÉSZRE VONATKOZÓ BIZTONSÁGI FIGYELMEZTETÉSEK

- Ha nem használja a terméket, illetve szállítás közben is mindig szerelje fel a láncvezető védőburkolatát. Ez csökkenti a lánc éles élével való véletlen érintkezés kockázatát. A terméket a láncvezetőtől a testétől távol tartva, a felső fogantyúnál fogva szállítsa.
- Egy biztonságosan rögzített fadarabon végzett egyszerű vágásokkal szokja meg az új láncfűrész használatát. Bármikor megteheti ezt, ha egy ideje nem használta a fűrész.
- A termék első használatakor a rönköket bakon vagy bölcsőn vágja.
- Ügyeljen rá, hogy az összes védőburkolat, fogantyú és tuskés ütköző megfelelően felszerelt és jó állapotú legyen.
- A terméket használó személyeknek jó egészségi állapotban kell lenniük. A termék egy nehéz gép, ezért a kezelőnek fizikailag fitnek kell lennie. A kezelőnek ébernek, jó látással, reflexekkel, egyensúlyérzéssel és kezűgyességgel kell rendelkeznie. Ha bármilyen gondja van, ne működtesse a terméket.
- Ne álljon semmilyen instabil felületre a termék használata közben. Ez magában foglalhatja többek között, de nem kizárólag a létrákat, az állványokat és a fákat. Mindig mindkét kezét tartsa a termék fogantyúin.
- Ne kezdje meg a termék használatát, amíg meg nem tisztította a munkaterületet, nem vett fel stabil testtartást és nincs meg a tervezett menekülési útvonal a fa dőlése esetére.
- Különös óvatossággal járjon el, amikor gyökérhajtást vagy kis ágat vág, mivel a vékony részek beleakadhatnak a fűrészláncba, és nagy sebességgel repülhetnek szét az ön irányába is, illetve ki is billenthetik egyensúlyából.
- Amikor feszülő ágat fűrész, legyen mindig kész arra,

hogy gyorsan el tudjon futni úgy, hogy ne üsse meg a visszacsapódó ág.

- Vigyázzon a kibocsátott kipufogógázra, az olajgőzökre és a fűrészporra. Ha szükséges, viseljen maszkot vagy álarcot.
- Ne vágjon szőlőtöket és/vagy kisméretű bozótot (75 mm-nél kisebb átmérőjűt).
- Használat közben mindig két kézzel fogja a láncfűrész. Tartsa a láncfűrész erősen, úgy hogy az ujjai öleljék körül a fogantyúkat. Jobb kézzel a hátsó fogantyút, bal kézzel pedig az elülső fogantyút fogja.
- A motor beindítása előtt bizonyosodjon meg arról, hogy a lánc semmilyen tárgyhoz nem ér. Mindig behúzott (teljesen előretolt) láncfékkel indítsa be a gépet.
- Semmilyen módon ne módosítsa a terméket, illetve ne használja a termék gyártója által nem ajánlott más tartozékok vagy eszközök működtetésére.
- A kezelő közelében lennie kell egy elsősegélydoboznak, amelynek nagyméretű kötszert és a figyelemfelhívó eszközt (pl. sip) kell tartalmaznia. Egy nagyobb, átfogóbb készletnek kell a közelben lennie.
- A kezelő esetleg leveheti a sisakot, ha éppen nincs leeső tárgyak jelentette veszély a munkaterületen, de ne feledje, hogy a sisak, különösen a hálós arcvédővel segíthet csökkenteni az arc és a fejsérülések kockázatát visszarúgás esetén.
- Egy nem megfelelően megfeszített lánc leugorhat a láncvezetőről, és súlyos sérülést vagy halált okozhat. A lánc hossza függ a lánc hőmérsékletétől és a lánc kopásától. Rendszeresen ellenőrizze a feszességet.
- A fogantyúkat tartsa szárazon, tisztán, olajtól és kenőzsírtól mentesen. A kenőzsíros és olajos fogantyúk csúszósak, és növelik az irányítás elvesztésének kockázatát.
- A mozgó alkatrészekkel való érintkezés okozta sérülések veszélyének csökkentése érdekében mindig állítsa le a motort, húzza be a láncféket, vegye le a gyújtáskábelt, és ellenőrizze, hogy minden mozgó rész megállt, mielőtt
 - tisztítás vagy eltömődés megszüntetése
 - a termék felügyelet nélkül hagyása
 - felszerelne vagy eltávolítaná a tartozékokat
 - ellenőrzi, karbantartja vagy dolgozik a terméken
- A munkaterület mérete függ a végrehajtandó munkától, és a fa méretétől, vagy a munkadarab nagyságától. Például, egy fa kidöntéséhez nagyobb terület kell, mint másfajta vágásokhoz, pl. keresztvágásokhoz stb. A kezelőnek ébernek kell lennie, és oda kell figyelnie mindenre a munkaterületen.
- Ne vágjon úgy, hogy a teste egy vonalba kerül a láncvezetővel és a láncsal. A visszarúgást észlel, ezzel elkerülheti, hogy a lánc érintkezzen a fejével vagy az arcával.
- Ne használjon oda-vissza fűrészelő mozdulatot, hagyja, hogy a lánc tegye a dolgot. Tartsa élesen a láncot, és ne próbálja áttolni a láncot a vágáson.
- Ne fejtse ki nyomóerőt a láncfűrészre a vágás végén. Legyen készen, hogy átvegye a fűrész súlyát, amint az kiszabadul a vágásból. Ha nem így tesz, súlyos

személyi sérülés lehet az eredmény.

- Ne állítsa le a fűrészt a vágási művelet közepén. Addig működtesse a fűrészt, amíg ki nem veszi a vágásból.

Személyi védelmi eszközök

A szakemberek által is használt jó minőségű személyi védelmi eszközök segítenek csökkenteni a kezelő sérülésének kockázatát. A következő eszközöket kell használni a láncfűrész használatakor:

Védősisak

- meg kell felelnie az EN 397 szabványnak, és CE jelöléssel kell rendelkeznie

Fülvédő

- meg kell felelnie az EN 352-1 szabványnak, és CE jelöléssel kell rendelkeznie

Szem- és arcvédő

- CE jelöléssel kell rendelkeznie és meg kell felelnie az EN 166 (a védőszemüvegek esetében) vagy az EN 1731 (hálós arcvédő esetében) szabványnak

Kesztyűk

- meg kell felelnie az EN 397 szabványnak, és CE jelöléssel kell rendelkeznie

Lábvédelem (vágásálló)

- meg kell felelnie az EN381-5 szabványnak és CE jelöléssel kell rendelkeznie, és teljes körű védelmet kell nyújtania.

Láncfűrész biztonsági lábbelik

- meg kell felelniük az EN ISO 20345:2004 szabványnak és láncfűrész ábrás jelöléssel kell rendelkeznie az EN 381-3 szabványnak való megfelelés igazolására. (Az alkalmi felhasználók használhatnak acél orrmerevítővel ellátott biztonsági lábbelit is lábszárvédőkkel, ami megfelel az EN 381-9 szabványnak, ha a talaj egyenletes és kicsi az aljnövényzetbe való felbukás vagy beakadás esélye)

Láncfűrész kabátok a felsőtest védelméhez

- meg kell felelnie az EN 381-11 szabványnak, és CE jelöléssel kell rendelkeznie

ÖSSZESZERELÉS

▲ FIGYELMEZTETÉS

Ha bármilyen alkatrész megsérült vagy hiányzik, addig ne működtesse a terméket, amíg nem pótolta azokat. Ezen figyelmeztetés figyelmen kívül hagyása súlyos személyi sérülést eredményezhet.

A LÁNCVEZETŐ ÉS A FŰRÉSZLÁNC FELSZERELÉSE

Lásd 273 oldal, 5 - 8. ábra.

1. Állítsa le a gépet. Viseljen védőkesztyűt.
2. Oldja ki a láncfékét.
3. Csavarja ki a láncvezető rögzítógombot, és távolítsa el a fogaskerék fedelét.
4. Helyezze fel a láncvezető és láncfeszítő szerelvényt a láncfűrészre. Engedje le a láncvezetőt, hogy a csavar átmenjen a vezető és láncfeszítő szerelvényen található furaton.

5. A fűrészláncnak a láncforgás irányába kell néznie. Ha az ellenkező irányban állnak, fordítsa ki a hurkot, amit csinált.
6. Helyezze a hurkot a hajtó fogaskerék köré. Helyezze a lánc meghajtó szemekeket a láncvezető vajatba. Ha szükséges forgassa el a láncfeszítő szerelvényt, hogy némileg megfeszítse a láncot, ami a helyén fogja tartani azt.
7. Tegye vissza a fogaskerék fedelét.
8. Állítsa be a láncfeszességet. Lásd „A láncfeszesség beállítása” részt.

A LÁNCFESZESSÉG BEÁLLÍTÁSA

Lásd 286. oldal.

1. Némileg lazítsa meg a láncvezető rögzítógombot úgy, hogy elforgatja az óramutató járásával ellentétes irányba.
2. A lánc feszességének növeléséhez forgassa el az óramutató járásának irányába a láncfeszítő beállítógyűrűt, közben folyamatosan ellenőrizze a lánc feszességét. A lánc feszességének csökkentéséhez forgassa el az óramutató járásával ellentétes irányba a láncfeszítő beállítógyűrűt, közben folyamatosan ellenőrizze a lánc feszességét.
3. A lánc feszessége akkor megfelelő, ha a láncvezető és a lánc vágószeme közötti hézag 3 és 4 mm között van. Húzza el a láncot a láncvezető alsó részének közepénél lefelé (el a láncvezetőtől), és mérje meg a láncvezető és a lánc vágószemei közötti távolságot.
4. Húzza meg a láncvezető rögzítógombot úgy, hogy elforgatja a gombot az óramutató járásának irányába.

MEGJEGYZÉS: A lánc hőmérséklete a normál használat során megnő, ami a lánc nyúlását okozza. Rendszeresen ellenőrizze a láncfeszességet és feszítse meg újra, ha szükséges. Egy melegen beállított lánc túl szorosnak bizonyulhat, ha lehűlt. Ügyeljen rá, hogy a láncfeszesség megfelelően, az útmutatóban leírt módon legyen beállítva.

A TERMÉK HASZNÁLATA

ÜZEMANYAG ÉS A TARTÁLY FELTÖLTÉSE

Az üzemanyag teljesen biztonságos kezelése

▲ FIGYELMEZTETÉS

Az üzemanyag betöltése előtt mindig állítsa le a motort. Soha ne töltsön egy olyan eszköz tartályába, aminek a motorja még jár, ill. még meleg. Távolodjon el legalább 9 m-re attól a helytől, ahol a gépet az üzemanyaggal feltöltötte a motor beindítása előtt. Tilos a dohányzás! Ennek a figyelmeztetésnek a be nem tartása súlyos testi sérülésekkel járó balesetet vonhat maga után.

▲ FIGYELMEZTETÉS

Bizonyosodjon meg arról, hogy a benzin nem folyik a szerszámból. Ha ilyet tapasztal, a tűz és az égési sérülések elkerülése érdekében a termék használata előtt szüntesse meg.

- Mindig körültekintően kezelje az üzemanyagot, nagyon gyúlékony.
- Mindig a szabadban, potenciális gyújtóforrásoktól távol töltsse fel a gépet üzemanyaggal, és ne lélegezze be az üzemanyag gőzeit.
- Kerülje, hogy a benzin és az olaj bőrre menjen. Ha mégis ez történik, azonnal mossa le szappannal és bő vízzel.
- Még ennél is jobban ügyeljen arra, hogy a benzin vagy az olaj ne kerüljön a szemébe. Ha a benzin vagy az olaj mégis a szemébe fröccsent, azonnal öblítse ki tiszta vízzel. Ha az irritáció továbbra is fennáll, forduljon azonnal orvoshoz.

Az üzemanyag keverése

- A szerszámban kétütemű motor van, mely benzin és kétütemű, szintetikus olaj (2%-os arány) keverék üzemanyagával működik. Az ólommentes benzint és a kétütemű olajat egy olyan tiszta, homologizált benzintartályban keverje össze, melyet erre a célra gyártottak és hagytak jóvá.
- A motor 91-es (R + M)/2) vagy magasabb oktánszámú ólommentes motorbenzinnel működik.
- Ne használjon semmiféle, a benzinkutakon kapható előkevert üzemanyagot. Ide értve a motorkerékpárokhoz, segédmotor-kerékpárokhoz stb. árusított benzint is.
- Magas minőségű 2-ütemű léghűtéses motorokba való olajat használjon. Ne használjon gépkocsikhoz való olajat, vagy 2-ütemű csónakmotorhoz való olajat.
- Keverjen 2% olajt a benzinhoz. Ily módon 50:1 arányú keveréket kap.
- Alaposan keverje meg az üzemanyagot minden egyes feltöltés előtt.
- A benzint kis mennyiségben keverje. Ne készítsen elő üzemanyagot több mint egy hónapra. Üzemanyag-

stabilizátort tartalmazó 2-ütemű kenőanyag használata javasolt.

MEGJEGYZÉS: A korábban megadottnál magasabb oxigénát-tartalmú oxigénezett üzemanyag használata miatt bekövetkezett károsodásokra és teljesítményproblémákra a garancia nem vonatkozik.

Az üzemanyagtartály feltöltése

Lásd 273. oldal.

- Törölje le a tartályt a benzinsapka körül, ily módon az üzemanyag nem szennyeződik be.
- Lassan lazítsa meg az üzemanyagtartály fedelét.
- Óvatosan öntse a keverék üzemanyagot a tartályba. Hogy ne folyjon mellé.
- Mielőtt a sapkát visszacsavarná, törölje le a tömitést és bizonyosodjon meg arról, hogy jó állapotban van.
- Azonnal helyezze vissza a tartályra a sapkát és jól szorítsa meg. Törölje le a kifolyt benzint.

MEGJEGYZÉS: Ez normális, a motor füstölni alatt és az első használat után.

LÁNC KENŐLAJ BETÖLTÉSE

Lásd 273. oldal.

▲ FIGYELMEZTETÉS

Ne dolgozzon lánc kenőanyag nélkül. Ha a fűrészlánc kenőanyag nélkül fut, a láncvezető és a fűrészlánc károsodhat. Ezért különösen fontos az olajsint gyakori ellenőrzése az olajsint nézőablakban, minden munkakezds előtt.

1. A szennyeződés megelőzése érdekében tisztítsa meg az olajtartály fedele körüli területet.
2. Csavarja ki és távolítsa el az olajtartály fedelét.
3. Öntse be az olajat az olajtartályba, és figyelje az olaj szintpalcát. Ügyeljen rá, hogy az olaj betöltése közben semmilyen szennyeződés ne kerüljön az olajtartályba.
4. Tegye vissza az olajtartály fedelét, és húzza be. A kilöttyent olajat törölje le.
5. Egy tartály olaj a fűrész 20 – 40 perces működéséhez elegendő.

MEGJEGYZÉS: A megfelelően működő lánc és láncvezető kenőrendszer használat közben normál ütemben fogja adagolni az olajat a láncra. A lánc és a vezető kenőrendszer működésének ellenőrzéséhez irányítsa a lánc hegyét egy világos színű felületre, pl. egy újságpapírra. Egy rövid idő után egy a fröccsenő olaj alkotta vonal lesz megfigyelhető.

Javasolt lánc kenőolaj

- A gyártó kizárólag Ryobi fűrészlánc kenőolaj használatát javasolja. (Ez a hivatalos szervizközpontban szerezhető be)

A TERMÉK BEINDÍTÁSA

A motor beindítási módja függ attól, hogy a motor hideg vagy meleg.

▲ FIGYELMEZTETÉS

Álljon balra a láncvezetőtől. Soha ne vegye a lábait közé a láncfűrész, és soha ne hajoljon a lánc fölé.

- Tegye a terméket egy lapos felületre, és ellenőrizze, hogy a közvetlen közelben nincs semmilyen tárgy vagy akadály, ami érintkezésbe léphet a láncvezetővel és a láncsal.
- Fogja meg az elülső markolatot a bal kezével, és álljon a jobb lábával a hátsó fogantyú alsó részére.

MEGJEGYZÉS: A következő indítási útmutatóban teljesen START állásba kihúzott gáz esetén a gázkar indításhoz van beállítva. A gáz RUN állásba való visszaállításához húzza meg, majd engedje fel a gázkart.

Hideg motor beindítása:

Lásd 272 - 273. oldal.

1. Fordítsa a gyújtáskapcsolót BE állásba.
2. Ügyeljen rá, hogy a láncfékét BRAKE állásba állítsa a kar/kézvédő előretolásával.
3. Nyomja meg 10-szer az indító befecskendező pumpát.
4. Húzza ki teljesen a fajtókart START állásba.
5. Ha a hőmérséklet 10 °C felett van, húzza meg az indítófogantyút addig, amíg a motor nem próbál meg beindulni, de csak 3-nál nem több alkalommal. Ha a hőmérséklet 10 °C felett van, húzza meg az indítófogantyút addig, amíg a motor nem próbál meg beindulni, de csak 5-nél nem több alkalommal.
6. A gázkart nyomja „fél” állásba. Húzza az indítófogantyút addig, amíg a motor be nem indul.
7. Nyomja be a reteszkioldót, majd húzza meg és engedje fel a gázkart, hogy a motort visszatérjen alapjáratra.
8. Hagyja 15–30 másodpercig alapjáraton járni a motort.
9. A motor pörgetése vagy favágás előtt ügyeljen rá, hogy a láncfékét működési pozícióba állítsa a fékkar/kézvédő visszahúzásával.

▲ FIGYELEMFELHÍVÁS

Ha nem engedi el a ravaszt a motor lassításához, amikor a láncfék be van nyomva, károsíthatja a motort. Soha ne tartsa lenyomva a ravaszt, amikor a fék előre van nyomva.

Meleg motor beindítása:

Lásd 281. oldal.

1. Fordítsa a gyújtáskapcsolót BE állásba.
2. Ügyeljen rá, hogy a láncfékét BRAKE állásba állítsa a kar/kézvédő előretolásával.
3. Nyomja meg az adagolószivattyú gombját 10-szer.
4. A fajtókart húzza ki teljesen „START” (indítás) pozícióba, majd nyomja vissza a „RUN” (működés) pozícióba.
5. A motor beindulásáig húzogassa az indítófogantyút, de 5-nél nem többször. Nyomja be a reteszkioldót, majd húzza meg és engedje fel a gázkart, hogy a motor visszatérjen alapjáratra. Ha a motor 5 húzás után nem indul be, akkor használja a hidegindítás műveletet.
6. A motor pörgetése vagy favágás előtt ügyeljen rá, hogy a láncfékét működési pozícióba állítsa a fékkar/kézvédő visszahúzásával.

MŰKÖDÉSI MÓDOK KÖZÖTTI VÁLTÁS

Lásd 287. oldal.

A termék rendelkezik egy fagyásgátló móddal, ami a termék ≤ 5 °C hőmérsékleten való működtetés közben megakadályozza a jég kialakulását a karburátorban.

A légtisztító burkolatának jobb oldalán található szellőző rovátkák átállíthatók, hogy lehetővé tegyék a meleg levegő a motorra áramoltatását és megakadályozza a jég kialakulását a karburátorban.

▲ FIGYELMEZTETÉS

A normál módról a fagyásgátló módra való váltás elmulasztása ≤ 5 °C-nál hőmérsékleten csökkenti a motor kimeneti teljesítményét vagy a motor károsodásához vezethet.

Soha ne feledje, hogy vissza kell állítani a terméket normál működési módba, ha nem áll fenn jég kialakulásának veszélye a karburátorban. A fagyásgátló módról normál módra való váltás elmulasztása normál hőmérsékleten a motor károsodásához vezethet.

A MOTOR LEÁLLÍTÁSA

Engedje el a gázadagoló ravaszt, és hagyja, hogy a motor leálljon. A motor leállításához helyezze a kapcsolót "O" állásba, KI pozícióba. Ne tegye le a láncfűrész a talajra, amíg a lánc le nem állt. A nagyobb biztonság érdekében nyomja be a láncfékét, ha nem használja a láncfűrész.

Ha a kapcsoló gomb nem állítja le a láncfűrész, húzza meg az indítókart, amíg teljesen ki nem jön (indító) és nyomja be a láncfékét a motor leállításához. Ha a kapcsoló gomb nem teszi lehetővé a láncfűrész kikapcsolását "O" állásban, javíttassa meg a láncfűrész, mielőtt újból használatba veszi, hogy ne dolgozzon veszélyes körülmények között, és elkerülje a súlyos sérüléseket.

MEGJEGYZÉS: A termék használatának befejezése után mindig engedje ki a tartályok nyomását úgy, hogy meglazítja a lánckenőnyag- és az üzemanyagtartály fedelét, majd újra becsavarja. Hagyja, hogy a motor lehűljön, mielőtt elrakná.

A TERMÉK TARTÁSA

Lásd 273. oldal.

A láncfűrész mindig jobb kézzel a hátsó fogantyút, bal kézzel pedig az elülső fogantyút fogva tartsa. Mindkét kezével fogja a fogantyúkat, a hüvelykujj és az ujjak öleljék körül a fogantyút. Ügyeljen rá, hogy a bal keze úgy legyen az elülső fogantyún, hogy a hüvelykujja alul van.

A LÁNCFÉK ELLENŐRZÉSE ÉS MŰKÖDTETÉSE

1. Húzza be a láncfékét úgy, hogy a bal kezét elfordítja az elülső fogantyú körül. A keze hátsó részével nyomja meg a láncfék kar/kézvédőt a láncvezető felé, miközben a lánc gyorsan forog. Mindig tartsa mindkét kezét a gép fogantyúin.
2. Állítsa vissza Működési pozícióba a láncfékét úgy, hogy a láncfék kar/kézvédő tetejét az elülső fogantyú felé húzza addig, amíg egy kattanó hangot nem hall.

EN
FR
DE
ES
IT
NL
PT
DA
SV
CZ
FI
NO
RU
PL
CS
HU
RO
LV
LT
ET
HR
SL
SK
BG

▲ FIGYELMEZTETÉS

Ha a láncfék azonnal nem állítja meg a láncot vagy a láncfék segítség nélkül nem marad működési pozícióban, akkor használat előtt javítás céljából vigye a fűrész egy hivatalos szervizközpontba.

▲ FIGYELMEZTETÉS

A gázkioldó felengedésekor, amikor a motor alapjáratú fordulatszámra működik, a fűrészláncnak nem szabad mozognia. Ha mégis mozog, fennáll a kezelő súlyos sérülésének veszélye. Ne használja a terméket, a szakszerű beállításhoz vigye a hivatalos szervizközpontba.

A TENGYELKAPCSOLÓ ELLENŐRZÉSE

1. Oldja ki a láncfékét a fékkár/kézvédő elülső fogantyú felé történő visszahúzásával, amíg egy kattánás nem hallható.
2. Hagyja alapjáraton járni a motort. Biztosítani kell, hogy a lánc nem forog. Ha a fűrészlánc alapjáraton is forog, szükségessé válhat a porlasztó beállítása. Ne használja a gépet. A szakszerű beállításhoz vigye a hivatalos szervizközpontba.
3. Nyomja be félig a gázkart, és működtesse a gépet közepes fordulatszámra. A fűrészláncnak simán kell forognia, ha a tengelykapcsoló jó működési állapotban van.

A visszarúgás okai és a kezelő megóvása:

A szerszám megugorhat, ha a működő gép orr-része valamire hozzáér, vagy ha a vágás során a láncvezető becsípődik a fába és megszorul.

A hegy érintkezése a munkadarabbal bizonyos esetekben egy hirtelen visszaható reakció okozhat, ami a láncvezetőt felfelé és a kezelő irányába dobja.

A fűrészlánc beszorulása a láncvezető felső részénél a láncvezetőt hirtelen a kezelő felé dobhatja.

Ezen reakciók a gép irányításának elvesztését okozhatják, ami súlyos személyi sérülést eredményezhet. A biztonság tekintetében ne bizzon kizárólag a láncfűrész védőelemeiben. Különböző óvintézkedéseket is kell tenni annak érdekében, hogy csökkentse a balesetek és sérülések veszélyét.

A visszarúgás a szerszám helytelen használatának és/vagy a nem megfelelő használati eljárások vagy körülmények eredménye, és megelőzhető a lent megadott utasítások betartásával:

- **Erős fogást tartson, a hüvelykujja és az ujjai öleljék körbe a láncfűrész fogantyúit, mindkét keze a fűrészben legyen, és úgy helyezze a testét és a karjait, hogy lehetővé tegyék a visszarúgás erejének kivédését.** A visszarúgási erőket a kezelő kontrollálhatja, ha betartja a megfelelő óvintézkedéseket. Ne hagyja, hogy a láncfűrész elszabaduljon.
- **Ne hajoljon ki túlságosan, és ne vágjon vállmagaság felett.** Ezek segítenek megelőzni a hegy véletlen érintkezését és váratlan situációkban a láncfűrész jobb irányíthatóságát teszik lehetővé.

- **Csak a gyártó által megadott csere láncvezetőt és láncot használjon.** Nem megfelelő csere láncvezető és láncok láncfűrész és/vagy visszarúgást okozhatnak.
- **Kövesse a gyártónak a fűrészlánc karbantartására vonatkozó utasításait.** A visszábaállító magasságának csökkentése a visszarúgás veszélyének megnövekedését okozhatja.

LÖKŐ- ÉS HÚZÓERŐ

Lásd 279. oldal.

A reakcióerő mindig a fűrészlánc forgási irányával ellentétes irányban hat. Ezért a kezelőnek készen kell állnia a gép elhúzásra hajlamosságának kontrollálására (előrefelé mozgás) a láncvezető alsó élével való vágáskor, és a hátranyomós kontrollálására (a kezelő felé mozgás) a láncvezető felső élével való vágáskor.

A FÜRÉSZ BEAKADT A VÁGÁSBA

Állítsa le a láncfűrész, és tegye biztonságossá. Ne próbálja kieröltetni a láncot és a vezetőt a vágásból, mert elszakíthatja a láncot, ami hátracsap és megsérti a kezelőt. Ez a helyzet általában akkor fordul elő, ha a fa nem megfelelően van megtámasztva és a nyomóerő összezárja a vágást, ezáltal összecsapve a láncot. Ha a megtámasztás megváltoztatása nem szabadítja ki a láncvezetőt és a láncot, fa ékek vagy egy kar segítségével szabadítsa ki a terméket. Ne próbálja meg beindítani a fűrész, ha a láncvezető még a vágásban vagy a bevágásban van.

ALAPVETŐ FAKIVÁGÁSI, ÁGAZÁSI ÉS KERESZTVÁGÁSI TECHNIKÁK

A fára ható erők megértése

Ha megérti a fára ható irányított nyomást és feszültséget, csökkentheti a „becsípődéseket” vagy legalább felkészülhet ezekre a favágáskor. A fában lévő feszültség azt jelenti, hogy a rostokra egymást taszító erő hat, és ha belevág ebbe a területbe a „fűrészjárat” vagy a vágás a szétnyílás felé fog tendálni, ahogy a fűrész áthalad a vágáson. Ha a rönk egy bakon van megtámasztva és a vége támaszték nélkül lóg túl a bakon, a rönk felső része a túlnyúló rész súlyának a rostokra gyakorolt hatása miatt megfeszül. Hasonlóképpen a rönk alsó részére összenyomó erő hat, és a rostok össze fognak nyomódni. Ha ebbe a területbe vág bele, a bevágás a vágás során összezáródás felé fog tendálni. Ez becsípheti a fűrészláncot.

Fakidöntés

Lásd 277 - 278. oldal.

Amikor a rönkdarabolási és kivágási műveleteket egyszerre két vagy több személy végzi, akkor a kidöntési műveletet a rönkdarabolástól külön kell elvégezni, legalább kétszer olyan távolságra, mint a kivágandó fa magassága. A fákat nem szabad úgy kidönteni, hogy az más személyeket veszélyeztet, bármilyen elektromos vezetékkel találkozhat vagy bármilyen vagyoni kárt okozhat. Ha a fa érintkezett egy elektromos vezetékkel, akkor azonnal értesíteni kell az áramszolgáltatót.

Ha a talaj lejtős, a lejtő felső részén helyezkedjen el, mivel a kivágott fa legurulhat vagy lecsúszhat.

A vágás megkezdése előtt meg kell tervezni a menekülési útvonalat, és szükség esetén meg kell tisztítani. A



menekülési útvonalnak hátrafelé és átlósan kell haladnia a várható dőlési vonalhoz képest.

A fakidöntés megkezdése előtt határozza meg a fa természetes dőlését, a nagyobb ágak helyzetét és a szélirányt, hogy eldöntse, merre fog dőlni a fa.

A fáról távolítsa el a koszt, kőveket, laza kérget, szegeket, ácskapcsokat és vezetékeket.

Ne kíséreljen meg korhadt vagy szél, tűz, villámlás, stb. által megrongált fákat kivágni. Ez különösen veszélyes, és csak profi favágókkal végezhető el.

■ Bevágó alávágás

Lásd 277 - 278. oldal.

Készítsen egy ék alakú bevágást a fa 1/3 átmérőjig, merőlegesen a dőlési irányra. Először az alsó vízszintes vágást készítse el. Ez segít elkerülni a lánc vagy a láncvezető becsípődését a második vágás készítésekor.

■ Visszavágás döntéskor

Lásd 277 - 278. oldal.

A döntési visszavágást legalább 50 mm-rel (2 in.) magasabban készítse a bevágás vízszintes vágásánál.

A döntési visszavágást párhuzamosan végezze a bevágás vízszintes vágásával. Úgy készítse a döntési visszavágást, hogy elég fa maradjon a csuklóhoz.

A csukló akadályozza meg a fa rossz irányba csavarodását vagy dőlését. Ne vágja át a csuklót.

Amint a döntő vágás közel kerül a csuklóhoz, a fának el kell kezdenie dőlni. Ha bármi esély van arra, hogy a fa nem a kívánt irányba dől vagy visszalendül és beszorítja a láncfűrész, akkor döntési visszavágás befejezése előtt állítsa le a vágást, és fa-, műanyag- vagy alumínium ékekkel biztosítsa a vágat nyitva tartását és a fa kívánt irányba való dőlését.

A fa dőlésének kezdetekor vegye ki a láncfűrész a vágásból, állítsa le a motort, tegye le a láncfűrész és használja a megtervezett menekülési útvaialat. Figyeljen a feje feletti ágak zuhanására és nézzen a lába elé.

A támasztógyökerek elvágása

Lásd 278. oldal.

A támasztógyökér a fa egy vastag gyökere, mely a fatörzsből a talajig hatol. Vágja át ezeket a vastag gyökereket, mielőtt kivágja a fát. Előbb vágjon vízszintesen, majd függőlegesen a támasztógyökérbe. Az így levágott darabot távolítsa el a munkaterületről. A fa kivágását a támasztógyökerek eltávolítása után kezdje meg.

Rönk méretre vágása

Lásd 278. oldal.

A rönkvágás egy rönk darabokra vágása. Fontos, hogy stabilan álljon, és testsúlyát jól ossza el a két lábán. Ha lehetséges, akkor a rönköt ágak, rönkök vagy ékek segítségével fel kell emelni és meg kell támasztani. A könnyű vágás érdekében tartsa be az egyszerű utasításokat. Amikor a rönk teljes hosszában meg van támasztva, akkor felülről kell vágni (felülvágás).

Amikor a rönk csak az egyik végén van megtámasztva, alulról vágjon be az átmérő 1/3-ig (alulvágás). Majd felülvágással fejezze be a vágást úgy, hogy szembe megy az első vágással.

Amikor a rönk mindkét végén meg van támasztva, felülről vágjon be az átmérő 1/3-ig (felülvágás). Majd alulvágással fejezze be a vágást a rönk maradék 2/3-án úgy, hogy szembe megy az első vágással.

Lejőn való rönkdaraboláskor mindig a rönk felső oldalához álljon. Átvágáskor a teljes irányítás megtartásához ne nyomja a fűrész a vágás végén, de ne engedje el a láncfűrész fogantyúit. Ne hagyja a talajjal érintkezni a láncot. A vágás befejezése után a láncfűrész mozgatása előtt várja meg a fűrészlánc megállását. Egyik fától a másikhoz való továbblépéskor mindig állítsa le a motort.

Fa ágazása

Lásd 280. oldal.

Az ágazás az ágak eltávolítását jelenti egy kidöntött fáról. Ágazáskor hagyja rajta a nagyobb alsó ágakat a rönkön, hogy megtámasszák azt. Egy vágással távolítsa el az összes kisebb gallyat. A feszültség alatt lévő ágakat alulról felfelé kell vágni, elkerülve ezzel a láncfűrész beakadását.

Rugalmas ágak vágása

Lásd 280. oldal.

Előfordulhat, hogy egy ág, egy kidölt fa törzse vagy egy törpefa beszorul egy másik fa alá oly módon, hogy hirtelen felcsapódik, amint a ránehezedő fát fűrészelni vagy elmozdítani kezdjük.

Könnyen előfordulhat, hogy az élő fán lévő kivágott fa törzse elengedi magát és felcsapódik függőleges pozícióba, miközben megpróbáljuk lefűrészelni a rönkről. Vigyázzon ezekkel a beszorult fákkal, mert veszélyesek. Ne próbáljon feszültség alatt álló hajlított ágakat vagy tönköket vágni, hacsak nem professzionálisan képzett és hozzáértő favágó.

SZÁLLÍTÁS ÉS TÁROLÁS

- Tárolás vagy szállítás előtt állítsa le a motort, húzza be a láncfécet, a gyújtógyertyáról vegye le a gyújtáskábelt, és hagyja lehűlni a terméket.
- Minden idegen anyagtól tisztítsa meg a terméket.
- Öntse az üzemanyagtartályban található összes benzint egy homologizált benzines marmonkannába. Ne felejtse e visszatenni ki és meghúzni az üzemanyagkeverék kupakját.
- Járassa a motort, amíg le nem áll. Ez lehetővé teszi, hogy az összes üzemanyag kiürüljön, ellenkező esetben elveszítheti erejét, vagy gumis állagú lerakódást okozhat a rendszerben.
- Az összes láncolajat öntse egy homologizált olajtartályba. Ne felejtse e visszatenni ki és meghúzni a láncolajozó kupakját.
- A gép tárolása előtt és szállítás során mindig helyezze fel a láncvezető védőburkolatát.
- Hűvös, száraz és jól szellőztetett, gyerekektől elzárt helyiségben tárolja. Ne tárolja olyan oxidálószerrel közelében, mint pl. kerti munkáknál használatos vegyszerek vagy jégmentesítő sók. Ne tárolja a szabadban.
- A termék rövid távolságra való szállításakor (egyik munkaterületről a másikra) mindig húzza be a láncfécet, így a láncfűrész mozgásában korlátozva van.

EN
FR
DE
ES
IT
NL
PT
DA
SV
FI
NO
RU
PL
CS
HU
RO
LV
LT
ET
HR
SL
SK
BG



- Szállításkor rögzítse a terméket elmozdulás és leesés ellen, hogy elkerülje a sérüléseket és a termékárosodását.
- Ne szállítsa a terméket működő állapotban.

Az üzemanyag tárolása és kezelése tekintetében lásd a megfelelő országos és helyi rendeleteket. A megmaradt üzemanyagot egy másik kétütemű motorral működő szerszámban felhasználhatja.

KARBANTARTÁS

A gépet mindig tartsa jó üzemi állapotban.

▲ FIGYELMEZTETÉS

Csak a gyártó eredeti cserealkatrészeit, tartozékait és szereléseit használja. Ennek figyelmen kívül hagyása gyenge motorteljesítményt, esetleges sérülést és a jóállás elvesztését okozhatja.

▲ FIGYELMEZTETÉS

szervizelés különös figyelmet és hozzáértést igényel, és csak szakképzett szerelő végezheti el. A szervizeléshez és javításhoz vissza kell vinnie a gépet a legközelebbi hivatalos szervizközpontba. Szervizeléskor csak azonos cserealkatrészeket használjon.

▲ FIGYELMEZTETÉS

A termék átvizsgálása, tisztítása és szervizelése előtt állítsa le a motort, húzza be a láncfékét, és csatlakoztassa le a gyújtáskábel a gyertyáról. Ezeknek az előírásoknak a be nem tartása súlyos testi sérüléssel járó baleseteket és jelentős anyagi károkat idézhet elő.

- A használati útmutatóban leírt beállításokat és javításokat Ön is elvégezheti. Az egyéb javításokhoz vegye fel a kapcsolatot a hivatalos szervizzel.
- A nem megfelelő karbantartás miatt előfordulhat, hogy a láncfék és más biztonsági funkciók nem működnek megfelelően, ami növeli a személyi sérülés kockázatát. A láncfűrészt tartsa szakszerűen karbantartott és biztonságos állapotban.
- A lánc biztonságos élezéséhez megfelelő gyakorlat szükséges. Ezért a gyártó kifejezetten javasolja, hogy az elkopott vagy életlen láncot egy újra cserélje le, amelyet egy hivatalos Ryobi szervizközpontban szerezhet be. Az alkatrészszám a kézikönyvnek a termék műszaki adatait ismertető részében található meg.
- Tartsa be a kenésre, és a láncfeszesség ellenőrzésre és a beállításra vonatkozó utasításokat.
- Minden egyes használat után egy puha, száraz ruhával tisztítsa meg a terméket.
- Gyakori időközönként ellenőrizze a csavaranyák, csavarok és fejescsavarok megfelelő meghúzását, hogy a termék biztonságos üzemi állapotban legyen. A sérült alkatrészeket egy hivatalos szervizközpontban kell megjavítani vagy kicseréltetni.

A LÁNCVEZETŐ ÉS A LÁNC CSERÉJE

Lásd 282 - 285. oldal.

1. Állítsa le a gépet. Viseljen védőkesztyűt.
2. Oldja ki a láncfékét.
3. Csavarja ki a láncvezető rögzítőgombot, és távolítsa el a fogaskerék fedelét.
4. Távolítsa el a láncvezetőt és a fűrészláncot a gépről.
5. Tisztítsa meg a lánckerék alját.
6. A láncvezető lecseréléséhez lazítsa meg a láncfeszítő szerelvény csavarját. Szerelje fel a láncfeszítő szerelvényt az új láncvezetőre, és húzza meg az anyát.
7. Helyezze fel a láncvezető és láncfeszítő szerelvényt a láncfűrésze. Engedje le a láncvezetőt, hogy a csavar átmenjen a vezető és láncfeszítő szerelvényen található furaton.
8. A fűrészláncnak a láncforgás irányába kell néznie. Ha az ellenkező irányban állnak, fordítsa ki a hurkot, amit csinált.
9. Helyezze a hurkot a hajtó fogaskerék köré. Helyezze a lánc meghajtó szemeket a láncvezető vajatba. Ha szükséges forgassa el a láncfeszítő szerelvényt, hogy némileg megfeszítse a láncot, ami a helyén fogja tartani azt.
10. Tegye vissza a fogaskerék fedelét.
11. Állítsa be a láncfeszességet. Lásd „A láncfeszesség beállítása” részt.

A LÉGSZŰRŐ TISZTÍTÁSA

Lásd 290. oldal.

1. Állítsa le a gépet. Ellenőrizze, hogy a láncfék fék állásban van.
2. Csavarja ki a légszűrő burkolatának rögzítőgombját, és távolítsa el a termékből.
3. Vegye le a levegőszűrőt.
4. Egy kefével tisztítsa ki a port és a szennyeződések a légszűrőből. Ha szükséges, egy laposfejű csavarhúzóval nyissa szét a légszűrőt, és tisztítsa ki a belsejét.
5. Helyezze vissza a légszűrő fedelét, és húzza meg a rögzítőgombot.

A SZIKRAFOGÓ TISZTÍTÁSA

Lásd 291. oldal.

▲ FIGYELMEZTETÉS

A hangtompító a termék használata során és utána forró. A súlyos személyi sérülés elkerüléséhez a testrészeit a termék használata során és utána tartsa távol a hangtompítótól.

1. Állítsa le a gépet. Ellenőrizze, hogy a láncfék fék állásban van. Várja meg, amíg a kipufogódob lehűl.
2. Távolítsa el a hangtompító burkolatát a tüksés ütközőhöz rögzítő csavart, majd távolítsa el a hangtompító burkolatának két csavaranyáját.
3. Vegye le a hangtompító burkolatát.
4. Vegye ki a szikrafogót. Tisztítsa meg egy kis drótkéfével a szikrafogót.
5. Helyezze vissza a hangtompító burkolatát. A hangtompító burkolatának cseréjéhez fordított sorrendben hajtsa végre ezeket a lépéseket.

▲ FIGYELMEZTETÉS

A tüksék ütköző a termék egyik biztonsági funkciója. A hangtompító burkolatát a visszahelyezése után rögzítse a megfelelő csavarral. Az utasítások be nem tartása súlyos személyi sérülést vagy halált eredményezhet.

A LÁNCFÉK ÁTVIZSGÁLÁSA ÉS TISZTÍTÁSA

Lásd 294. oldal.

- A láncfék mechanizmust mindig tartsa tisztán, a rudazatról mindig távolítsa el a szennyeződéseket.
- Tisztítás után mindig tesztelje a láncfék teljesítményét.
- További információért lásd a kézikönyv „Használat - A láncfék ellenőrzése és működtetése” című részét.

MOTORFORDULATSZÁM ÉS KARBURÁTOR BEÁLLÍTÁS

▲ FIGYELMEZTETÉS

A karburátor hibás beállítása növelheti a sérülések, a halálos balesetek vagy termék károsodásának a kockázatát. A karburátor beállításához vigye el a terméket egy hivatalos szervizközpontba.

KARBANTARTÁSI ÜTEMTERV

Napi ellenőrzés	
Üzemyag-keverék	Minden használat előtt
Láncvezető kenése	Minden használat előtt
Láncfeszesség	M i n d e n használat előtt és rendszeresen
Tengelykapcsoló (nincs láncmozgás alapjárat fordulatszám)	Minden használat előtt
Lánc élessége	Minden használat előtt, vizuális ellenőrzés
Sérült alkatrészek	Minden használat előtt
Meglazult csavarok	Minden használat előtt
Meglazult alkatrészek	Minden használat előtt
A láncfék működése	Minden használat előtt
Üzemyagszivárgás	Minden használat előtt

ÁTVIZSGÁLÁS ÉS MEGTISZTÍTÁS

Láncvezető	Minden használat előtt
Teljes fűrész	Minden használat után
Légszűrő	5 üzemóránként*
Láncfék	5 üzemóránként*
Üzemyagszűrő cseréje	Évente
Üzemyagszűrő cseréje	Évente

*Üzemóránként

FENNMARADÓ KOCKÁZAT

Még a termék rendeltetészerű használata esetén sem lehet teljesen kiküszöbölni minden kockázati tényezőt. A gép használata során a következő veszélyek merülhetnek fel, és a kezelőnek különösen oda kell figyelnie az alábbiak elkerülésére:

- A vibráció sérüléseket okozhat. Mindig a munkához megfelelő célszerszámot használja, használja a gépre szerelt fogantyúkat, és korlátozza a munkaidőt és a vibrációnak való kitettséget.
- A zajnak való kitettség halláskárosodást okozhat. Viseljen hallásvédőt és korlátozza a zajnak való kitettséget.
- Érintkezés a fűrészlánc szabadon maradt fogaival (vágásveszély).
- A láncvezető előre nem látható, hirtelen mozgása vagy visszarúgása (vágásveszély).
- Alkatrészek kiesése a fűrészláncból (vágás-/sérülésveszély)
- A fadarabból kidobott részek (faforgács, szilánkok).
- A fűrészpor vagy a benzinmotor kipufogógázainak belégzése.
- A bőr érintkezése a benzinnel/olajjal.

KOCKÁZATCSÖKKENTÉS

Arról számoltak be, hogy a kéziszerszámok használata során fellépő vibráció bizonyos személyeknél hozzájárulhat az úgynevezett Raynaud-szindróma (Raynaud's Syndrome) nevű állapot kialakulásához. A tünetei lehetnek: az ujjak zsibbadása, elfehéredése, szúrások érzése, amelyek hidegnek kitéve gyakran felerősödnek. Az öröklődő tényezők, a hidegnek kitettség és verejtékezés, a diéta, a dohányzás és munka közben alkalmazott fogások valószínűleg mind hozzájárulhatnak ezen tünetek megjelenéséhez. A vibráció hatásainak csökkentése érdekében a kezelőnek be kell tartani az alábbi óvintézkedéseket:

- Hideg időben tartsa melegen a testét. A termék használatakor viseljen kesztyűt a kéz és a csukló melegen tartásához. Arról számoltak be, hogy a hideg időjárásnak fontos szerepe van a Raynaud-szindróma kialakulásában.
- Bizonyos időtartamú használat után mindig végezzen gyakorlatokat a vérkeringés javításához.

- Gyakran tartson munkaszünetet. Korlátozza a napi munkaidőt.
- A profi láncfűrész-kereskedőknél elérhető védőkesztyűk kizárólag a láncfűrész használatához lettek kialakítva, és védelmet és jó fogást biztosítanak. A kesztyűk szintén csökkentik a fogantyú vibrációjának hatását. Ezeknek a kesztyűknek meg kell felelniük az EN381-7 szabványnak és CE jelöléssel kell rendelkezniük

Ha ezen állapot bármelyik tünetét tapasztalja, azonnal hagyja abba a munkát, és tájékoztassa az orvosát a tünetekről.

FIGYELMEZTETÉS

Injuries may be caused, or aggravated, by prolonged use of a tool. Ha a gépet hosszú időn át kell használnia, tartson gyakran szünetet.

ISMERJE MEG A TERMÉKET

Lásd 271. oldal.

RÉSZEGYSÉGEK

1. Fűrészlánc
2. Láncvezető
3. Elülső kézvédő/biztonsági láncfék
4. Elülső fogantyú
5. Légszűrő fedele
6. Berántó-zsinór fogantyúja
7. Hátsó fogantyú
8. Ütközőtüske
9. Hangtompító burkolata
10. Üzemanyagtartály sapka
11. Olajtartály sapka
12. Gyújtáskapcsoló
13. Ravasz kireteszelő gomb
14. Ravasz (gázadagoló gomb)
15. Indító befecskendező pumpa (szivató)
16. Indítókar
17. Kombinált kulcs
18. Fogaskerék fedele
19. Lánc visszacsapás gátló
20. Láncfeszítő beállítógyűrű
21. Láncvezető rögzítőgomb
22. Láncvezető védőburkolata

BIZTONSÁGI ESZKÖZÖK

NEHEZEN MEGUGRÓ LÁNC

Az alacsony visszarúgású fűrészlánc segít csökkenteni a visszarúgás lehetőségét.

A fogak elején található mélységhatárolók megakadályozzák, hogy a fogak túl mélyre hatoljanak a fába, így csökkentik a megugrás erejét. Csak a gyártó által javasolt csere láncvezető és lánc kombinációt használjon.

Kétszeres óvatossággal járjon el a láncfűrész élesítése után, mivel ez a művelet kevésbé ellenállóvá teszi a láncot a megugrással szemben. A biztonsága érdekében cserélje ki a fűrészláncot, amint a vágóteljesítmény csökken.

ÜTKÖZŐTÜSKE

A beépített ütközőtüske forgócsapként használható vágás készítése közben. Segít stabilan tartani láncfűrész testét a vágás során. Vágáskor nyomja előre a gépet, amíg a tüskék be nem mélyednek a fa szélébe, ezután a hátsó fogantyú felfelé vagy lefelé mozgásával a vágásvonal irányába segíthet enyhíteni a vágás fizikai terhelését.

LÁNCVEZETŐ

Általában a kis sugarú hegygel rendelkező láncvezető némileg csökkenti a visszarúgás kockázatát. Csak a gyártó által javasolt csere láncvezető és lánc kombinációt használjon. A nem javasolt láncvezetők használata növeli az irányítás elvesztésének kockázatát a vágás során. Rendszeresen ellenőrizze a lánc feszességét. Kisebb (a láncvezető teljes hosszánál rövidebb) ágak vágásakor a lánc nagyobb valószínűséggel dobódik le, ha nem megfelelő a feszessége.

LÁNCFÉK

A láncfék arra szolgál, hogy adott esetben gyorsan leállítsa a forgó láncot. A lánc azonnal leáll, amint a láncfék kart/ kézvédőt előretolja. A láncfék nem arra szolgál, hogy kivédje a megugrást. Csak csökkenti a sérülésveszélyt, amikor a láncvezető érintkezik a kezelő testével egy visszarúgás során. A láncfék megfelelő működését futás és fék állásban is mindig, minden használat előtt tesztelni kell.

LÁNC VISSZACSAPÁS GÁTLÓ

A láncfógo megakadályozza, hogy a fűrészlánc a kezelő felé dobódjon, ha a fűrészlánc kilazul vagy elszakad.

SZIMBÓLUMOK A TERMÉKEN



Biztonsági figyelmeztetés



A termék használata előtt olvassa el és érte meg a kezelési útmutatóban leírtakat, és tartsa be az összes figyelmeztető és biztonsági utasítást.



Viseljen szem-, fül- és fejdédőt.



A termék használata közben csúszásmentes biztonsági lábbelit viseljen.



Viseljen nem csúszós, nehéz igénybevételekre tervezett kesztyűt.



Figyeljen a láncfűrész visszarúgására, és kerülje az érintkezést a láncvezető végével.



A láncfűrész két kézzel fogja és használja.



Ne használja a láncfűrész egy kézzel tartva.



Ez a szerszám minden, a vásárlás európai uniós országában hatályos szabványnak megfelel.



Használjon 91-es ((R + M)/2) vagy ennél magasabb oktánszámú ólommentes motorbenzint.



2 ütemű léghűtéses motorhoz való olajat használjon.



Minden betöltés előtt jól rázza össze az üzemanyagot.



Minden üzemanyag-betöltéskor töltsön be olajat is a vezető- és láncolajozóba.



Állítsa a láncféket MŰKÖDÉS állásba.



Állítsa a láncféket FÉK állásba.



Fordítsa a gyújtáskapcsolót BE állásba.



Nyomja meg 10-szer az indító befecskendező pumpát .



Állítsa a fojtókart „FULL” (TELJES) fojtás állásba.



Húzogassa a berántó-zsinórt (maximum ötször), amíg meg nem hallja, hogy a motor beindult.



Állítsa a fojtókart „HALF” (FÉL) fojtás állásba.



Húzza meg az indítófogantyút többször addig, amíg a motor be nem indul.



Nyomja be a reteszkilodót és a gázkart.



Eurázsiai megfeleléségi jelzés



A garantált hangteljesítményszint 112 dB.



Láncvezető és lánc kenőanyag



Ólommentes benzin és 2 ütemű olaj.



Be pozíció



Fél fojtás helyzet



„FULL” (TELJES) fojtás állásba



Retesz



Szétnyitás



Forgassa el a láncfeszesség beállításához

+ = Húzza meg a láncot

- = Lazítsa meg a láncot

A lánc mozgásiránya (A fogaskerék fedele alatt van megjelölve)



Normál mód



Fagyásgátló mód

T

Az alapjárat fordulatszám beállítása

H

Magas fordulatszám beállító tű

L

Alacsony fordulatszám beállító tű

A KÉZIKÖNYVBEN HASZNÁLT SZIMBÓLUMOK



Az üzemanyagot a szabadban, minden szikraes gyújtóforrástól távol keverje.



Ne dohányozzon az üzemanyag keverése vagy betöltése közben.



Külön értékesített alkatrészek és kiegészítők

EN
FR
DE
ES
IT
NL
PT
DA
SV
FI
NO
RU
PL
CS
HU
RO
LV
LT
ET
HR
SL
SK
BG



A kiselejtezett elektromos termékeket nem szabad a háztartási hulladékkal együtt kidobni. Ezeket újra kell hasznosítani, ha van rá lehetőség.



Megjegyzés



Figyelmeztetés!



Viseljen szem- és arcvédőt.



Viseljen felsőttestvédőt.



Viseljen lábvédőt.



Állítsa le a gépet.



Zárja be a szűrőburkolatot.



Oldja ki a szűrőburkolatot.

A következő jelölőszavak és jelölések arra szolgálnak, hogy megmagyarázzák a termékkel kapcsolatos veszélyességi szinteket:

VESZÉLY

Egy bekövetkező veszélyes helyzetet jelez, ami, ha nem előzik meg, halált vagy komoly sérülést eredményez.

FIGYELMEZTETÉS

Egy potenciálisan bekövetkező veszélyes helyzetet jelez, amit, ha nem előznek meg, halált vagy komoly sérülést eredményezhet.

FIGYELEMFLHÍVÁS

Egy potenciálisan veszélyes helyzetet jelez, ami, ha nem előzik meg, kisebb vagy mérsékelt sérülést eredményezhet.

FIGYELEMFLHÍVÁS

Biztonsági figyelmeztető szimbólum nélkül

Egy olyan helyzetet jelez, ami anyagi kárt eredményezhet.

Au fost acordate priorități maxime siguranței, performanței și fiabilității în proiectarea Ferăstrău cu lanț pe benzină.

UTILIZARE PREVĂZUTĂ

Produsul este proiectat să fie folosit doar în mediu exterior și în zonă bine aerisită. Pentru motive de siguranță, acest produs trebuie să fie controlat adecvat prin folosirea tot timpul a operațiunilor cu ambele mâini.

Produsul este proiectat să taie crengi, trunchiuri, buștenii și grinzi de un diametru determinat de lungimea de tăiere a barei de ghidare. Este permisă numai tăierea lemnului. Este folosit doar pentru operațiuni casnice de către un adult ce a primit instruirea necesară privind măsurile/acțiunile periculoase și de prevenire ce trebuie a fi luate în timpul folosirii ferăstrăului.

Nu folosiți produsul pentru niciun alt scop nemenționat mai sus. A nu se folosi pentru tăieri profesionale de copaci. Produsul nu trebuie folosit de copii sau persoane ce nu poartă echipamentul și hainele de protecție corespunzătoare.

⚠️ AVERTISMENT

Atunci când utilizează produsul, normele de siguranță trebuie să fie respectate. Pentru siguranța dvs și a trecătorilor, trebuie să citiți și să înțelegeți pe deplin aceste instrucțiuni înainte de a opera produsul. Trebuie să urmați un curs profesional organizat de siguranță în folosirea, acțiunile preventive, de prim ajutor și întreținerea a ferăstraielor cu lanț. Vă rugăm să păstrați instrucțiunile într-un loc sigur pentru utilizare ulterioară.

⚠️ AVERTISMENT

Ferăstraiele sunt scule potențial periculoase. Accidentele implicând folosirea ferăstraielor adesea rezultă în pierderea unui membru sau deces. Nu este doar ferăstrăul principalul pericol. Crengile în cădere, prăbușirea copacilor, buștenii în rostogolire toți pot provoca moartea. Lemnăraia bolnavă sau putrezită reprezintă un pericol suplimentar. Trebuie să evaluați capacitatea dvs de a finaliza sarcină în siguranță. Dacă există orice îndoială, lăsați sarcina unui profesionist în chirurgie a copacilor.

AVERTISMENTE GENERALE PRIVIND

- Anumite regiuni au reglementări ce restricționează folosirea produsului. Pentru sfaturi întrebați autoritățile dvs. locale.
- Nu permiteți niciodată copiilor sau persoanelor care nu sunt familiarizate cu aceste instrucțiuni să utilizeze produsul. Reglementările locale pot restricționa vârsta operatorului.
- Asigurați-vă că înainte de fiecare folosire toate funcțiile de control și dispozitivele de siguranță funcționează corect. Nu folosiți produsul dacă întreprătorul "oprit" nu oprește motorul.
- Nu porniți sau lăsați motorul să funcționeze în interiorul

uni zone închise sau slab ventilate; respirarea gazelor de eșapament poate cauza moartea.

- Curățați zona de lucru după fiecare folosire, o zonă de lucru dezordonată și neîngrijită duce la accidente.
- Purtați protecție completă pentru ochi și auz, mănuși rezistente, încălțăminte de protecție cu talpă nealunecoasă precum și protecție pentru cap în timpul operării produsului. Folosiți o mască de față dacă operațiunea implică și praf.
- Nu purtați haine largi, pantaloni scurți sau bijuterii de niciun fel.
- Prindeți părul lung deasupra umerilor pentru a preveni prinderea lui de părțile în mișcare.
- Fiți atent la obiectele aruncate, în zbor sau în cădere. Țineți toate persoanele (în special copiii și animalele de companie) la cel puțin 15m distanță de zona de lucru.
- Nu operați niciodată produsul într-un mediu exploziv sau inflamabil.
- Mențineți o priză fermă pe ambele mâneri în timpul folosirii produsului.
- Fiți vigilenți, fiți atenți la ceea ce faceți, acționați cu simț practic când operați unitatea. Nu operați acest produs atunci când sunteți obosit, bolnav sau sub influența alcoolului, drogurilor sau a medicamentelor. Un moment de neatenție în timpul operării mașinii poate cauza vătămarea personală gravă.
- Nu utilizați în condiții de iluminare necorespunzătoare. Operatorul necesită o panoramă clară a zonei de lucru pentru identificarea potențialelor pericole.
- Utilizarea antifoaanelor reduce capacitatea de auzi avertismente (alarme sau strigăte). Operatorul trebuie să fie foarte atent la ceea ce se întâmplă în zona de lucru.
- Operarea de aparate similare în vecinătate crește atât riscul unei deteriorări a auzului cât și posibilitatea ca alte persoane să intre în zona dvs. de lucru.
- Mențineți sprijin ferm pe picioare și echilibrul. Nu vă aplecați excesiv. Aplecarea excesivă poate rezulta în pierderea echilibrului sau expunerea la suprafețe fierbinți și poate crește riscul de recul.
- Țineți toate părțile corpului la distanță de orice piesă în mișcare.
- Nu atingeți zona din jurul a amortizorului sau a motorului unității, aceste piese să înfierbântă în timpul funcționării.
- Inspectați aparatul înainte de fiecare folosire. Verificați ca toate comenzile să funcționeze corect inclusiv frâna lanțului. Verificați să nu existe cleme slăbite, asigurați-vă că toate apărătorile și mânerul sunt corespunzător și fix prinse. Înlocuiți toate piesele deteriorate înainte de utilizare.
- Nu modificați mașina în niciun fel sau să folosiți părți și accesorii ce nu sunt recomandate de către producător.

EN
FR
DE
ES
IT
NL
PT
DA
SV
FI
NO
RU
PL
CS
HU
RO
LT
LV
ET
HR
SL
SK
BG

▲ AVERTISMENT

Dacă produsul este scăpat, suferă un impact dur sau începe să vibreze anormal, opriți imediat produsul și inspectați dacă este deteriorat sau identificați cauza vibrației. Orice deteriorare trebuie reparată corespunzător sau înlocuită la un centru service autorizat.

- Când amestecul combustibil sau umplerea rezervorului de combustibil, nu fumați și să păstreze la 10 m distanță de orice sursă de aprindere.
- Amestecați și păstrați carburantul într-o canistră concepută pentru păstrarea benzinei.
- Amestecați carburantul în aer liber, departe de orice scânteele sau flacără. Ștergeți carburantul vărsat. Îndepărtați-vă 10 m (30 ft) de zona de alimentare înainte de a porni motorul.
- Opriți motorul și lăsați-l să se răcească înainte de realimentare, depozitare sau transportare.
- Amintiți-vă să închideți corespunzător toate capacele rezervorului de combustibil/recipientului după alimentare și amestecare.

AVERTIZĂRI DE SIGURANȚĂ ASUPRA FERĂSTRĂULUI CU LANȚ.

- Montați întotdeauna aparătoria barei de ghidare atunci când produsul nu este folosit sau atunci când este purtat sau transportat. Acest lucru va reduce riscul contactului accidental cu lamele ascuțite ale lanțului. Purtați produsul de mânerul superior cu bara de ghidare în partea opusă a corpului dvs.
- Trebuie să vă obișnuiți cu noul dvs ferăstrău cu lanț prin efectuarea de tăieri simple pe un lemn prin fix. Daceți acest lucru oricând nu ați operat ferăstrăul o bucată de timp.
- Tăiați bușteni pe capră sau pe un cadru atunci când operați produsul pentru prima dată.
- Asigurați-vă că toate aparaturile, mânerul și amortizoarele în formă ascuțită sunt corespunzător montate și se află în stare bună.
- Persoanele ce folosesc acest produs trebuie să aibă o stare de sănătate bună. Produsul este unul greu așa încât operatorul trebuie să aibă o condiție fizică bună. Operatorul trebuie să fie prevăzător, să aibă o vedere, mobilitate și echilibru bun și o dexteritate manuală. Dacă există orice dubiu, nu operați produsul.
- Nu stați pe nicio suprafață instabilă în timpul folosirii produsului. Acesta poate include, dar nu se limitează, la scări, schele și copaci.
- Țineți ambele mâini pe mânerul produsului tot timpul.
- Nu porniți produsul până când nu aveți o zonă de lucru curată, o poziție sigură, și o cale de retragere planificată față de copacul în cădere.
- Fiți foarte prudent atunci când tăiați lăstari sau ramuri de mici dimensiuni deoarece elementele fine se pot agăța în lanțul ferăstrăului și să fie proiectate spre dumneavoastră sau să vă dezechilibreze.
- Atunci când tăiați o ramură sub tensiune, fiți pregătit să

vă îndepărtați repede pentru a evita să fiți lovit atunci când tensiunea din fibrele lemnului este eliberată.

- Atenție la emisiile de gaz de eșapament, la vaporii de ulei și la rumeguș. Purtați mască de protecție a respirației dacă e necesar.
- Nu tăiați lujeri și/sau arbore mic (mai mic de 75 mm în diametru)
- Țineți întotdeauna ferăstrăul cu ambele mâini când îl operați. Țineți bine ferăstrăul, cu degetele cuprinzând mânerul. Mâna dreaptă trebuie să fie pe mânerul posterior și mâna stângă pe mânerul frontal.
- Înainte de a porni echipamentul, asigurați-vă că ferăstrăul nu vine în contact cu niciun obiect. Porniți întotdeauna produsul având trasă frâna pentru lanț (împinsă complet în față).
- Nu modificați produsul dvs. în niciun fel pentru a alimenta orice accesorii sau dispozitive nerecomandate de producătorul acestui produs.
- Trebuie să existe o cutie de prim ajutor conținând un pansament mare și mijloace de atragere a atenției (de exemplu un fluiet) aproape de operator. O cutie mai mare și mai cuprinzătoare trebuie în mod normal să existe în apropiere.
- Operatorul ar putea fi tentat să renunțe la casca de protecție dacă nu există pericol de cădere a obiectelor din zona de lucru, dar rețineți că această cască, în special cea cu vizieră lată, poate reduce riscul unei potențiale vătămări a feței sau a capului dacă are loc un recul.
- Un lanț incorect tensionat poate să sară de pe bara de ghidare și poate cauza vătămare gravă sau deces. Lungimea lanțului depinde de temperatura lanțului și de uzura lui. Verificați frecvent tensiunea lanțului.
- Mențineți mânerul uscat, curate și fără urme de ulei și vaselină. Mânerul unsuros sau uleios sunt alunecoase, cauzând pierderea controlului.
- Pentru a reduce riscul de vătămare asociată cu contactul cu părțile în mișcare, opriți întotdeauna motorul, angajați frâna lanțului, scoateți fișa bujiei din bujie și asigurați-vă că toate părțile în mișcare s-au oprit complet înainte de a
 - curățarea sau eliminarea unui blocaj
 - lăsarea produsului fără supraveghere
 - instalarea sau îndepărtarea atașamentelor/accesoriilor
 - verificarea, întreținerea sau exploatarea produsului
- Suprafața zonei de lucru depinde de sarcina care trebuie realizată, în aceeași măsură cu mărimea copacului sau a piesei de prelucrat. De exemplu, pentru a doborî un copac e necesară o zonă mai mare de lucru decât pentru a face alte tăieri, de ex. tăieri mici, etc. Operatorul trebuie să fie conștient și să aibă controlul la tot ce se întâmplă în această zonă de lucru.
- Nu tăiați având corpul dvs în linie cu bara de ghidare și cu lanțul. Dacă aveți parte de reculuri aceasta vă va ajuta să preveniți ca lanțul să vină în contact cu capul sau corpul dvs.
- Nu folosiți o mișcare de tăiere înainte-înapoi, lăsați lanțul să facă lucrul. Mențineți lanțul ascuțit și nu

- încercați să trageți lanțul prin tăietură.
- Nu exercitați presiune asupra ferăstrăului la terminarea tăierii. Fiți gata să preluați din greutatea ferăstrăului pe măsură ce tăietura în lemn este aproape gata. În caz contrar, pot rezulta vătămări corporale grave.
 - Nu opriți ferăstrăul în mijlocul operațiunii de tăiere. Mențineți ferăstrăul în funcțiune până când este eliberat prin finalizarea tăierii.

Echipament personal de protecție.

Echipamentul personal de protecție de o bună calitate ca cel folosit de profesioniști va ajuta la reducerea riscului de vătămare a operatorului. Următoarele articole trebuie folosite când operați ferăstrăul dvs cu lanț:

Cască de protecție

- trebuie să fie în conformitate cu EN 397 și marcată CE

Protecție a auzului

- trebuie să fie în conformitate cu EN 352-1 și marcată CE

Protecția ochilor și a feței

- trebuie să fie marcată CE și să fie în conformitate cu EN 166 (pentru ochelarii de protecție) sau EN 1731 (pentru viziere)

Mănuși

- trebuie să fie în conformitate cu EN 397 și marcată CE

Protecție a picioarelor (ghete de piele)

- trebuie să fie în conformitate cu EN 381-5, să fie marcat CE și să ofere protecție generală

Ghete de protecție pentru ferăstrăul cu lanț

- trebuie să fie în conformitate cu EN ISO 20345:2004, să fie marcat cu o apărătoare înfățișând un ferăstrău cu lanț pentru a arătat conformitatea cu EN 381-3. (Utilizatorii ocazionali pot să folosească ghete de protecție cu bombu metalic de protecție a degetelor piciorului cu jambiere de protecție ce sunt conforme cu EN381-9 dacă solul este drept și există un risc scăzut de a face pași greșiți sau să fiți prinși de arbuști)

Geci pentru protecția superioară a corpului împotriva ferăstrăului

- trebuie să fie în conformitate cu EN 381-11 și marcată CE

MONTARE

⚠ AVERTISMENT

Dacă orice piesă este deteriorată sau lipsă nu operați acest produs până când piesele nu sunt înlocuite. Nerespectarea acestei avertizări poate provoca vătămări corporale grave.

ASAMBLAREA LANȚULUI FERĂSTRĂULUI ȘI A BAREI DE GHIDARE.

Vezi pagina 273, Fig. 5 - 8.

1. Opriți produsul Purtați mănuși de protecție.

2. Decuplați frâna lanțului.
3. Deșurubați butonul rotativ de blocare a barei de ghidare și îndepărtați pinionul de acționare.
4. Atașați bara de ghidare și ansamblul de tensionare al lanțului la ferăstrău. Coborâți bara de ghidare în așa fel încât șurubul să treacă prin gaura barei și ansamblul de tensionare al lanțului.
5. Lanțul ferăstrăului trebuie să fie în direcția rotirii lanțului. Dacă ele sunt orientate în sens invers, întoarceți bucla pe care ați format-o.
6. Așezați bucla peste pinionul de acționare. Așezați zalele de antrenare a lanțului în canalul lamei. Dacă e nevoie, rotiți ansamblul de tensionare al lanțului pentru a aplica o anumită tensiune lanțului și care va ajuta să țină lanțul la locul său.
7. Înlocuiți apărătoarea/capacul roții lanțului.
8. Reglarea tensiunii lanțului Consultați secțiunea "Reglarea tensiunii lanțului".

REGLAREA TENSIUNII LANȚULUI

Vezi pagina 286.

1. Slăbiți butonul rotativ de blocare a barei de ghidare rotind ușor în sens inver acelor de ceas.
2. Pentru a crește tensiunea lanțului, rotiți inelul de reglare a tensiunii lanțului în sensul acelor de ceas și verificați frecvent tensiunea lanțului. Pentru a reduce tensiunea lanțului, rotiți inelul de reglare a tensiunii lanțului în sens invers acelor de ceas și verificați frecvent tensiunea lanțului.
3. Tensiunea lanțului este corectă atunci când spațiul dintre dinții lanțului și bară este între 3 și 4 mm. Trageți lanțul la mijlocul marginii inferioare a barei (în afara barei) și măsurați distanța dintre bară și dinții lanțului.
4. Strângeți butonul rotativ de blocare a barei de ghidare rotindu-l în sensul acelor de ceas.

OBSERVAȚIE: Temperatura lanțului crește în timpul operării normale cauzând întinderea lanțului. Controlați regulat tensiunea lanțului și întindeți-l de fiecare dată când este necesar. Un lanț întins la cald poate fi prea strâns după ce s-a răcit. Asigurați-vă că întinderea lanțului este regulată corect, după cum este specificat în aceste instrucțiuni.

OPERAREA PRODUSULUI.

CARBURANTUL ȘI UMLEREA REZERVORULUI

Manipularea carburantului în deplină siguranță

⚠️ AVERTISMENT

Oprii întotdeauna motorul înainte de alimentare. Nu umpleți niciodată rezervorul unui aparat atunci când motorul este pornit sau este încă cald. Îndepărtați-vă la cel puțin 9 m de locul în care ați umplut rezervorul înainte de a porni motorul. Nu fumați! Nerespectarea acestui avertisment poate provoca răni corporale grave.

⚠️ AVERTISMENT

Asigurați-vă că aparatul nu prezintă scurgeri de carburant. Dacă sunt găsite, corectați-le înainte de a utiliza produsul pentru a preveni incendiul sau arsuri.

- Manevrați întotdeauna combustibilul cu grijă, este foarte inflamabil.
- Realimentați întotdeauna în exterior ferit de surse potențiale de aprindere, nu inhalați vaporii carburantului.
- Evitați ca benzina sau uleiul să intre în contact cu pielea dumneavoastră. Dacă are loc contact spălați imediat cu săpun și apă din abundență.
- Evitați mai ales să vă proiectați benzină sau ulei în ochi. Dacă vă intră în ochi benzină sau ulei, clătiți-i imediat cu apă curată. Dacă ochii rămân iritați, consultați imediat un medic.

Amestecul carburantului

- Aparatul funcționează cu un motor în 2 timpi care necesită un amestec de benzină și de ulei de sinteză în 2 timpi (în proporție de 2%). Amestecați benzina fără plumb și uleiul în 2 timpi într-un recipient curat omologat pentru a conține benzină.
- Motorul funcționează cu benzină fără plumb pentru vehicule cu o cifră octanică de 91 ($(R + M)/2$) sau mai mare.
- Nu utilizați amestecurile de benzină/ulei preparate în benzinării. În special cele destinate motorelor, scuterelor etc.
- Folosiți lubrifiant de calitate înaltă pentru motoare în 2 timpi ce se auto-amestecă folosit la motoare răcite cu aer. Nu folosiți lubrifiante auto sau lubrifiant în 2 timpi pentru motoare suspendate.
- Amestecați 2 % de ulei cu benzina. Adică într-un raport de 50:1.
- Amestecați bine carburantul înainte de fiecare umplere a rezervorului.
- Amestecați carburantul în cantități mici. Nu pregătiți mai mult decât echivalentul unei luni de utilizare. Este recomandat un lubrifiant pentru motor în 2 timpi ce conține stabilizator al carburantului.

OBSERVAȚIE: Deteriorarea sistemului de alimentare sau a problemelor de funcționare rezultând din folosirea

unui combustibil oxigenat mai multe procente decât cele menționate mai sus nu sunt acoperite de garanție.

Umplerea rezervorului de combustibil

Vezi pagina 273.

- Curățați rezervorul în jurul bușonului pentru a evita orice contaminare a carburantului.
- Deșurubați încet capacul pentru combustibil.
- Turnați cu atenție amestecul de carburant în rezervor. Evitând vărsarea acestuia.
- Înainte de a înșuruba bușonul, curățați garnitura și asigurați-vă că aceasta este în bună stare.
- Puneți imediat la loc bușonul rezervorului și strângeți-l bine. Ștergeți carburantul vărsat.

OBSERVAȚIE: Este normal ca motorul să emită fum în timpul și după prima utilizare.

ADĂUGAREA DE ULEI LUBRIFIANT PENTRU LANȚ

Vezi pagina 273.

⚠️ AVERTISMENT

Nu lucrați niciodată fără lubrifiant pentru lanț. Dacă ferăstrăul cu lanț funcționează fără lubrifiant, bara de ghidare și lanțul ferăstrăului pot fi deteriorate. Este așadar esențial să verificați frecvent nivelul uleiului la indicatorul de nivel de ulei și de fiecare dată înainte de a începe să folosiți ferăstrăul.

1. Curățați suprafața din jurul capacului de ulei pentru a preveni murdărirea.
2. Deșurubați și îndepărtați capacul de la rezervorul de ulei.
3. Turnați ulei în rezervorul de ulei și monitorizați indicatorul de nivel al uleiului. Asigurați-vă că nu intră murdărie în rezervorul de ulei când turnați ulei.
4. Puneți înapoi capacul de ulei și strângeți-l. Ștergeți orice scurgere.
5. Un rezervor de ulei plin vă permite să folosiți ferăstrăul timp de 20 - 40 de minute.

OBSERVAȚIE: Un lanț ce funcționează corect și un sistem de lubrifiere a barei vor elimina în mod normal ulei pe la lanț în timpul folosirii. Pentru a verifica funcționalitatea lanțului și a sistemului de lubrifiere a barei, îndreptați vârful lanțului la o suprafață deschisă la culoare, ca de exemplu un ziar. O linie distinctă de ulei împroșcat trebuie să fie observată după puțin timp.

Ulei recomandat de lubrifiere a lanțului

- Producătorul recomandă să folosiți doar ulei de ungere pentru ferăstrău de la Ryobi. (Disponibil de la centrul dvs. service autorizat)

PORNIREA PRODUSULUI

Metoda de pornire diferă, în funcție de temperatura motorului.

⚠️ AVERTISMENT

Stați în partea stângă a ghidului de lanț. Nu încălecați niciodată ferăstrăul sau lanțul; nu vă aplecați niciodată peste traiectoria lanțului.

- Așezați produsul pe o suprafață la sol dreaptă și asigurați-vă că niciun obiect sau blocaj nu se află în vecinătatea imediată și care poate veni în contact cu bara și lanțul.
- Țineți bine mânerul auxiliar cu mâna stângă și puneți piciorul drept pe baza mânerului principal.

OBSERVAȚIE: În următoarele instrucțiuni de pornire, atunci când maneta de șoc este trasă până la capăt în poziția START, accelerația este setată pentru pornire. Pentru a reseta accelerația la poziția RUN, strângeți și apoi eliberați trăgaciul.

Pentru a porni un motor rece:

Vezi paginile 272 - 273.

1. Rotiți comutatorul de aprindere în poziția ON (PORNIT).
2. Asigurați-vă că frâna lanțului este în poziția BRAKE prin împingerea înainte în protecția pentru manetă/mână.
3. Apăsăți pompa de amorsare de 10 ori.
4. Trageți maneta de pornire până la capăt în poziția de PORNIRE.
5. Când temperatura este peste 10°C, trageți mânerul de pornire până când motorul încearcă să pornească, dar nu mai mult de 3 ori. Atunci când temperatura este sub 10°C trageți de maneta de pornire până când motorul încearcă să pornească dar nu mai mult de 5 ori.
6. Împingeți maneta de șoc la poziția "jumătate". Trageți mânerul starterului până când motorul pornește.
7. Apăsăți eliberarea trăgaciului și apăsăți trăgaciul de accelerare, apoi eliberați trăgaciul de accelerare pentru revenirea motorului la relanti.
8. Lăsați produsul să funcționeze la relanti timp de 15 - 30 de secunde.
9. Înainte de a accelera motorul sau a tăia bușteanul, asigurați-vă că frâna lanțului este în poziția "funcționare" prin tragerea în spate a manetei de frână/apărătoarea mâinii.

⚠️ ATENȚIE

Dacă nu eliberați trăgaciul pentru a încetini motorul atunci când frâna lanțului este aplicată, riscați să deteriorați motorul. Nu țineți niciodată trăgaciul apăsat atunci când frâna este aplicată.

Pentru a porni un motor cald:

Vezi pagina 281.

1. Rotiți comutatorul de aprindere în poziția ON (PORNIT).
2. Asigurați-vă că frâna lanțului este în poziția BRAKE prin împingerea înainte în protecția pentru manetă/mână.
3. Apăsăți pompa de amorsare de 10 ori.
4. Trageți maneta de șoc până la poziția "START" și apoi împingeți-o înapoi în poziția "RUN" (funcționare).
5. Trageți de maneta de pornire până când motorul funcționează, dar nu mai mult de 5 ori. Apăsăți eliberarea trăgaciului și apăsăți trăgaciul de accelerare,

- apoi eliberați trăgaciul de accelerare pentru revenirea motorului la relanti. Dacă motorul nu pornește după 5 trageri, folosiți procedura de pornire la rece a motorului
6. Înainte de a accelera motorul sau a tăia bușteanul, asigurați-vă că frâna lanțului este în poziția "funcționare" prin tragerea în spate a manetei de frână/apărătoarea mâinii.

TRECEREA ÎNTRE MODURILE DE OPERARE

Vezi pagina 287.

Produsul prezintă modul anti-înghețare ce previne ca gheața să se formeze în interiorul carburatorului în timpul operării la temperaturi de $\leq 5\text{ }^{\circ}\text{C}$.

O trapă de aerisire pe partea dreaptă a capacului curățătorului de aer poate fi re poziționată pentru a permite furnizarea aerului cald spre motor și de prevenire a formării gheții în interiorul carburatorului.

⚠️ AVERTISMENT

Necomutarea de la modul normal la modul anti-îngheț la temperaturi de $\leq 5\text{ }^{\circ}\text{C}$ va reduce randamentul motorului sau va duce la defectarea motorului.

Amintiți-vă să reveniți la modul normal de operare al produsului atunci când nu există riscul formării de gheață în interiorul carburatorului. Necomutarea de la modul anti-îngheț la modul normal în condiții de temperatură normale poate rezulta în defectare a motorului.

OPRIREA MOTORULUI

Eliberați trăgaciul acceleratorului și lăsați motorul să încetinească. Pentru a opri motorul, puneți întrerupătorul în poziția "O", în poziția OPRIT. Nu așezați ferăstrăul cu lanț pe sol cât timp lanțul este în mișcare. Pentru o siguranță mai mare, aplicați frâna lanțului atunci când nu folosiți ferăstrăul cu lanț.

Dacă întrerupătorul nu oprește ferăstrăul cu lanț, trageți de mânerul șocului până când acesta este scos complet (șoc) și aplicați frâna lanțului pentru a opri motorul. Dacă întrerupătorul nu permite oprirea ferăstrăului cu lanț atunci când este așezat în poziția de oprire "O", reparați-l înainte de a-l folosi din nou pentru a evita să lucrați în condiții periculoase și să vă răniți grav.

OBSERVAȚIE: Când ați terminat de folosit produsul, eliberați întotdeauna presiunea din rezervor prin slăbirea și apoi strângerea capacelor rezervoarelor de lubrifiant al lanțului și a celui de combustibil. Lăsați motorul să se răcească înainte de a depozita aparatul.

ȚINEREA PRODUSULUI

Vezi pagina 273.

Țineți întotdeauna ferăstrăul cu mâna dreaptă de mânerul posterior și cu mâna stângă de mânerul din față. Prindeți ambele mâneruri cu degetul mare și degetele încercuind mânerurile. Asigurați-vă că mâna dvs stângă prinde mânerul frontal în așa încât degetul mare să fie dedesubt.

VERIFICAREA ȘI OPERAREA FRÂNEI LANȚULUI.

1. Angajați frâna lanțului rotind mâna stângă în jurul mânerului frontal. Folosind dosul palmei, împingeți levierul frânei lanțului/apărătoarea mâinii înspre bară

EN
FR
DE
ES
IT
NL
PT
DA
SV
FI
NO
RU
PL
CS
HU
RO
LV
LT
ET
HR
SL
SK
BG

în timp ce lanțul se rotește cu rapiditate. Asigurați-vă că mențineți tot timpul ambele mâini pe mânerele produsului.

- Restabiliți înapoi frâna lanțului în poziția Funcționare apucând partea de sus a levierului frânei lanțului/apărătoarea mâinii și trăgând înspre mânerul frontal până când auziți un clic.

⚠️ AVERTISMENT

Dacă frâna lanțului nu oprește lanțul imediat, sau dacă frâna nu stă în poziția regim de funcționare fără asistență, duceți drujba la un centru service autorizat pentru a fi reparată înainte de a o folosi din nou.

⚠️ AVERTISMENT

Când trăgaciul de accelerare este eliberat și motorul funcționează la ralanti, lanțul ferăstrăului nu trebuie să se miște. Dacă continuă să se miște există risc de vătămare gravă a operatorului. Nu folosiți produsul, returnați-l la un centru service autorizat pentru reglare profesională.

VERIFICAREA AMBREIAJULUI

- Decuplați frâna lanțului prin împingerea manetei frânei lanțului/apărătoării mâinii înspre mânerul frontal până când se aude un clic.
- Lăsați motorul să funcționeze la ralanti. Asigurați-vă că lanțul ferăstrăului nu se rotește. În cazul în care lanțul ferăstrăului se rotește în timp ce rulează la ralanti, ambreiajul se poate deteriora. Nu folosiți mașina. Returnați-o la un centru service autorizat pentru o reglare profesională.
- Apăsăți trăgaciul de accelerare la jumătate și lăsați produsul să funcționeze la jumătate de viteză. Lanțul ferăstrăului trebuie să se rotească lin dacă ambreiajul este în stare bună de funcționare.

Cauzele și prevenirea operatorului de recul:

Se poate produce un recul dacă extremitatea ghidului lanțului intră în contact cu un obiect sau dacă lanțul ferăstrăului se agață și se blochează în lemn în timpul tăierii.

Contactul cu vârful în anumite cazuri poate cauza o reacție bruscă înapoi, ridicarea/bascularea barei de ghidare și darea înapoi înspre operator.

Agățarea lanțului de ferăstrău de-a lungul părții superioare a lamei de ghidare poate împinge lama de ghidare rapid înapoi spre operator.

Oricare din aceste reacții poate cauza pierderea controlului aparatului ce poate rezulta în vătămare personală gravă. Nu vă bazați exclusiv pe elementele de protecție ale ferăstrăului cu lanț. Și dumneavoastră trebuie să luați diverse măsuri pentru a evita riscurile de accidente sau de rănire.

Recul este rezultatul folosirii incorecte și/sau procedurii sau condițiilor incorecte de operare a sculei și poate fi evitat luând măsurile de precauție corecte așa cum sunt date mai jos:

- **Mențineți o prindere fermă, cu degetul mare și**

degetele înconjurând mânerele ferăstrăului, cu ambele mâini pe ferăstrău și poziția corpului și a brațelor să vă permită să rezistați forțelor reculului. Forțele de recul pot fi controlate de operator, dacă măsurile de precauție corespunzătoare sunt luate. Nu dați drumul ferăstrăului.

- **Nu vă întindeți prea mult și nu tăiați deasupra înălțimii umerilor.** Acest lucru previne contactul neintenționat cu vârful și permite un mai bun control al ferăstrăului în situații neașteptate.
- **Folosiți doar bară de schimb și lanțuri specificate de către producător.** Schimbările de schimb și lanțurile necorespunzătoare pot cauza ruperea lanțului și/sau recul.
- **Respectați instrucțiunile producătorului pentru ascuțirea și întreținerea lanțului.** Scăderea înălțimii etalonului adâncimii de tăiere poate duce la un recul crescut.

ÎMPINGERA ȘI TRACȚIUNEA

Vezi pagina 279.

Forța de reacție se exercită întotdeauna în direcția opusă sensului de rotație al lanțului. Astfel, operatorul trebuie să fie pregătit să controleze tendința aparatului de a împinge înainte (mișcare în față) atunci când tăiați la marginea de jos a barei și de a împinge în spate (cître operator) atunci când tăierea este de-a lungul marginii de sus.

FERĂSTRĂUL BOLCAT ÎN TĂIETURĂ.

Opriti ferăstrăul și faceți-l sigur. Nu încercați să forțați lanțul și bara să iasă din tăietură întrucât e foarte probabil ca lanțul să se rupă și ar putea să balanseze înapoi și să lovească operatorul. Această situație în mod normal se întâmplă pentru că lemnul este necorespunzător sprijinit și forțează tăietură să se închidă sub compresie, ca urmare să strângă lama. Dacă reglarea suportului nu eliberează bara și lanțul, folosiți pene de lemn sau un levier pentru a deschide tăietura și a elibera produsul. Nu încercați niciodată să porniți ferăstrăul când bara de ghidare este deja în tăietură sau secțiunea tăiată.

INSTRUCȚIUNI CU PRIVIRE LA TEHNICILE CORESPUNZĂTOARE PENTRU DOBORĂREA, TĂIEREA CRENGILOR ȘI A TĂIERII TRANSVERSALE.

Înțelegerea forțelor din interiorul lemnului

Atunci când înțelegeți presiunile direcționale și solicitările dinn interiorul lemnului puteți reduce "strângerea" lemnului sau cel puțin vă așteptați la ea în timpul tăierii. Tensiunea în interiorul lemnului înseamnă că fibrele sunt trase la o parte și dacă tăiați în această zonă "tăietura" va tinde să se deschidă pe măsură ce ferăstrăul înaintează. Dacă un buștean este sprijinit pe o capră iar capătul bușteanului atârna nesprrijinit atunci tensiunea este creată pe suprafața superioară datorită greutateii bușteanului ce întinde fibrele lemnului. Tot așa, partea dedesubt a bușteanului va fi strânsă/comprimată și fibrele vor fi împinse împreună. Dacă o tăietură este făcută în această zonă, partea tăiată va avea tendința să se închidă în timpul tăierii. Aceasta ar putea prinde lama.

Doborârea unui copac.

Vezi pagina 277 - 278.



Atunci când sunt îndeplinite operațiuni de tăiere sau doborâre a copacilor simultan de către două sau mai multe persoane, operațiunea de doborâre trebuie să fie separată de cea de tăiere la o distanță de cel puțin două ori înălțimea copacului ce vine doborât. Copacii trebuie doborâți în așa fel încât să nu pună în pericol nicio persoană, să nu lovească nicio linie de serviciu public sau să cauzeze orice distrugere a proprietății. În cazul în care copacul face contact cu o linie de serviciu public, compania trebuie să fie notificată imediat.

Dacă terenul este în pantă, stați întotdeauna în partea de sus a terenului deoarece copacul riscă să se rostogolească sau să alunece în josul pantei după ce este tăiat.

O cale de retragere trebuie întotdeauna planificată și eliberată necesar înainte ca operațiunile de tăiere să înceapă. Calea de retragere trebuie să se înapoi și în diagonală în spatele liniei prevăzute de cădere a copacului.

Înainte ca doborârea să aibă loc, luați în considerare înclinarea naturală a copacului, localizarea crengilor mari și a direcției vântului pentru a judeca felul în care copacul va cădea.

Îndepărtați noroiul, coaja ce stă să se desprindă, cuiele, cârțile și firele din copac.

Nu încercați să doboâți copaci ce sunt putreziți sau au fost deteriorați de vânt, incendiu sau fulgere etc. Este extrem de periculos și trebuie efectuată această operațiune doar de către persoane profesionale în doborârea copacilor.

- Tăietura la trunchi
Vezi pagina 277 - 278.

Faceți o tăietură de 1/3 din diametrul copacului perpendiculară pe direcția de cădere. Faceți mai întâi tăietura orizontală la bază. Acest lucru va ajuta la prevenirea prinderii fie a ferăstrăului sau a barei de ghidare atunci când a doua tăietură este făcută.

- Tăierea finală de doborâre
Vezi pagina 277 - 278.

Faceți tăietura de doborâre la cel puțin 50 mm/2 inci mai sus decât tăietura orizontală de doborâre. Faceți tăietura de doborâre paralelă cu tăietura orizontală. Faceți tăietura de doborâre în așa fel încât să rămână suficient lemn care să acționeze ca o balama. Balamaua de lemn menține copacul să nu se răsucescă și să cadă în direcția greșită. Nu tăiați prin balamaua de lemn Pe măsură ce căderea se apropie de balamaua de lemn, copacul ar trebui să înceapă să cadă. Dacă există vreo posibilitate ca direcția de cădere a copacului să fie una greșită sau să balanseze înapoi și să înțepenească ferăstrăul, opriți tăierea înainte ca tăietura de doborâre să fie completă și folosiți pene de lemn, plastic sau aluminiu pentru a deschide tăietura și să cadă copacul de-a lungul liniei de cădere dorite.

Atunci când copacul începe să cadă îndepărtați ferăstrăul din tăietură, opriți motorul, puneți ferăstrăul jos, apoi retrageți-l pe calea de retragere planificată. Fiți atenți la căderea crengilor de deasupra capului și priviți unde pașiți.

- Tăierea rădăcinilor de contrafort
Vezi pagina 278.

O rădăcină de contrafort este o rădăcină groasă care pleacă de la trunchiul copacului până la sol. Tăiați

rădăcinile groase înainte de a începe doborârea. Efectuați mai întâi o tăietură orizontală în rădăcină, apoi o tăietură verticală. Degajați partea tăiată astfel din zona de lucru. Procedați la doborâre după ce ați îndepărtat rădăcinile de contrafort.

- Debitarea unui buștean la dimensiune
Vezi pagina 279.

Debitarea este tăierea unui buștean la dimensiune. Este important să vă asigurați că poziția dvs este fermă și că greutatea dvs este egal distribuită pe ambele picioare. Atunci când e posibil, bușteanul trebuie să fie ridicat și sprijinit prin folosirea crengilor, a butucilor sau a proptelei. Urmați instrucțiunile simple pentru o tăiere ușoară. Atunci când bușteanul este sprijinit pe întreaga sa lungime, este tăiat din partea de sus (tăiere de deasupra)

Când bușteanul este sprijinit la un capăt, tăiați 1/3 din diametru pornind de dedesubt (tăiere de dedesubt). Apoi faceți tăietura finală prin tăiere de deasupra pentru a vă întâlni cu prima tăietură.

Atunci când bușteanul este sprijinit la ambele capete, tăiați 1/3 din diametru cu o tăiere de sus (tăiere de deasupra) Apoi faceți tăietura finală prin tăiere de dedesubt cam 2/3 pentru a vă întâlni cu prima tăietură.

Atunci când debitați bușteanul în pantă stați mereu pe partea de sus a bușteanului. Atunci când faceți o "tăiere completă" pentru a menține complet controlul ferăstrăului eliberați presiunea de tăiere aproape de finalizarea tăierii fără relaxa prinderea fermă a mânerelor ferăstrăului. Nu lăsați lanțul să vină în contact cu solul. După ce tăierea este finalizată, așteptați ca ferăstrăul să se oprească înainte de a-l muta. Opriți întotdeauna motorul înainte de a vă muta de la un copac la altul.

- Tăierea crengilor unui copac
Vezi pagina 280.

Tăierea crengilor reprezintă îndepărtarea crengilor unui copac doborât. Atunci când tăiați crengile lăsați crengile de jos să sprijine bușteanul de sol. Îndepărtarea crengilor mici dintr-o singură tăiere. Crengile tensionate trebuie să fie tăiate de la fund în sus pentru a evita înțepenirea ferăstrăului.

- Tăierea crengilor arcuite
Vezi pagina 280.

O prăjină este o ramură, o buturugă dezrădăcinată sau un arbușt care este îndoit de o altă bucată de lemn, astfel încât aceasta se destinde brusc atunci când o tăiați sau când îndepărtați bucata de lemn care o reține.

Buturuga dezrădăcinată a unui copac doborât riscă să se destindă și să revină în poziție verticală în timpul tăierii pentru a o separa de trunchi. Fiți atenți la prăjini, acestea sunt periculoase. Nu încercați să tăiați crengi îndoite sau bușteni care sunt tensionați decât dacă sunteți instruit și competent profesional pentru asta.

TRANSPORTAREA ȘI DEPOZITAREA

- Opriți motorul, acționați frâna lanțului, deconectați fișa bujei de la bujie și lăsați-l să se răcească înainte de a-l depozita sau transporta.
- Curățați toate materialele străine din produs.

EN
FR
DE
ES
IT
NL
PT
DA
SV
FI
NO
RU
PL
CS
HU
RO
LV
LT
ET
HR
SL
SK
BG



- Turnați tot carburantul rămas în rezervor într-o canistră omologată pentru păstrarea benzinei. Amintiți-vă să puneți la loc corespunzător și să strângeți capacul amestecului de combustibil.
- Porniți motorul până când acesta se oprește singur. Acest lucru permite eliminarea carburantului care ar putea să se răsuflă și să lase un reziduu în circuit.
- Turnați tot uleiul pentru ghid și lanț într-un recipient omologat pentru păstrarea uleiului. Amintiți-vă să puneți la loc și să strângeți capacul de lubrifiere a lanțului.
- Potrivitiți întotdeauna apărătoarea barei de ghidare înaintea depozitării produsului sau în timpul transportării
- Depozitați-l într-un loc răcoros, uscat și bine aerisit ce este inaccesibil copiilor. Nu-l depozitați în apropiere de agenți corozivi cum ar fi produși chimici de grădinărit sau săruri antigel. Nu depozitați în aer liber.
- Atunci când cărați produsul pe o distanță scurtă (de la o zonă de lucru la alta), angajați întotdeauna frâna lanțului în așa fel încât mișcarea lanțului să fie restricționată.
- Când transportați produsul, fixați-l împotriva mișcării sa căderii, pentru a preveni vătămarea persoanelor sau deteriorarea produsului.
- Nu purtați sau transportați produsul în timp ce funcționează.

Consultați reglementările naționale și locale în materie de depozitare și manipulare a carburantului. Puteți folosi carburantul rămas pentru un alt aparat echipat cu un motor în doi timpi.

ÎNȚREȚINEREA

Păstrați întotdeauna produsul în stare bună de funcționare.

⚠️ AVERTISMENT

Folosiți doar piese de schimb, accesorii și atasamente originale ale producătorului. Neurmarea acestora poate cauza posibilă vătămare, slaba funcționare și ar putea anula garanția.

⚠️ AVERTISMENT

Service-ul necesită atenție și cunoștințe deosebite și trebuie îndeplinit doar de către un tehnician service calificat. Pentru service și reparații, trebuie să returnați produsul la cel mai apropiat centru service autorizat. Când se efectuează service-ul folosiți doar piese de schimb identice.

⚠️ AVERTISMENT

Înainte de inspecție, curățare sau efectuarea service-ului produsului, opriți motorul, angajați frâna lanțului, deconectați fișa bujiei de bujie. Nerespectarea acestor măsuri poate provoca răniri grave sau daune materiale considerabile.

- Puteți face reglaje și reparații descrise în acest manual de instrucțiuni. Pentru alte reparații, contactați agentul service autorizat.
- Consecințele unei întrețineri incorecte poate cauza ca

frâna lanțului și alte caracteristici de siguranță să nu funcționeze corect, ca urmare crește potențialul unei vătămări grave. Păstrați ferăstrăul întreținut profesionist și în siguranță.

- Ascuțirea lanțului în siguranță este o sarcină expertă. De aceea producătorul recomandă puternic ca un lanț bont sau uzat să fie înlocuit cu unul nou, disponibil la centrul dvs de service autorizat. Numărul de piese/părți este disponibil în tabelul cu specificații ale produsului din acest manual.
- Urmați instrucțiunile privind lubrifierea, verificarea și reglarea tensiunii lanțului.
- După fiecare folosire curățați produsul cu o cârpă moale și uscată.
- Verificați toate piulițele, suruburile la intervale frecvente de timp ca să fie corespunzător strânse pentru a vă asigura că produsul este în stare de lucru în siguranță. Orice piesă deteriorată trebuie să fie reparată în mod corespunzător sau înlocuită de un service autorizat.

ÎNLOCUIREA BAREI DE GHIDARE ȘI A LANȚULUI FERĂSTRĂULUI

Vezi pagina 282 - 285.

1. Opriți produsul Purtați mănuși de protecție.
2. Decuplați frâna lanțului.
3. Deșurubați butonul rotativ de blocare a barei de ghidare și îndepărtați pinionul de acționare.
4. Îndepărtați bara și lanțul ferăstrăului de pe produs.
5. Curățați partea de dedesubt a pinionului.
6. Pentru a înlocui bara cu una nouă, slăbiți șurubul ansamblului de tensionare al lanțului. Montați ansamblul de tensionare a lanțului pe bara nouă și strângeți piulița.
7. Atașați bara de ghidare și ansamblul de tensionare al lanțului la ferăstrău. Coborâți bara de ghidare în așa fel încât șurubul să treacă prin gaura barei și ansamblul de tensionare al lanțului.
8. Lanțul ferăstrăului trebuie să fie în direcția rotirii lanțului. Dacă ele sunt orientate în sens invers, întoarceți bucla pe care ați format-o.
9. Așezați bucla peste pinionul de acționare. Așezați zalele de antrenare a lanțului în canalul lamei. Dacă e nevoie, rotiți ansamblul de tensionare al lanțului pentru a aplica o anumită tensiune lanțului și care va ajuta să țină lanțul la locul său.
10. Înlocuiți apărătoarea/capacul roții lanțului.
11. Reglarea tensiunii lanțului Consultați secțiunea "Reglarea tensiunii lanțului".

CURĂȚAREA FILTRULUI DE AER

Vezi pagina 290.

1. Opriți produsul Asigurați-vă că frâna lanțului este în poziția frână.
2. Deșurubați butonul rotativ de blocare de pe capacul filtrului de aer și îndepărtați-l de pe produs
3. Scoateți filtrul de aer.
4. Curățați praful sau mizeria de pe filtrul de aer cu o perie. Dacă e necesar, cu o șurubelniță plată desfaceți filtrul de aer și curățați-l în interior.
5. Puneți la loc capacul filtrului de aer și strângeți butonul rotativ de blocare.

CURĂȚAREA PARASCÂNTEII.

Vezi pagina 291.

⚠️ AVERTISMENT

Amortizorul este fierbinte în timpul și după operarea produsului. Pentru a evita vătămarea personală gravă, țineți toate părțile corpului ferite de amortizor în timpul și după operare.

1. Opriți produsul Asigurați-vă că frâna lanțului este în poziția frână. Lăsați eşapamentul să se răcească.
2. Îndepărtați șurubul ce ține caoacul amortizorului la bara de protecție cu spini, apoi îndepărtați piulițele capacului amortizorului.
3. Îndepărtați capacul amortizorului.
4. Scoateți parascântea. Curățați sita parascânței cu o perie mică de sârmă.
5. Puneți la loc capacul amortizorului. Pentru a pune la loc capacul amortizorului, refaceți acești pași în ordine inversă.

⚠️ AVERTISMENT

Bara de protecție cu spini este o caracteristică de siguranță a produsului. Fixați-l cu șurubul corespunzător după ce ați pus la loc capacul amortizorului. Neurmarea acestei instrucțiuni poate rezulta în vătămare personală gravă sau deces.

INSPECTAREA ȘI CURĂȚAREA FRÂNEI LANȚULUI

Vezi pagina 294.

- Mențineți întotdeauna curat mecanismul de frânare a lanțului curățând ușor de mizerie racordurile.
- Testați întotdeauna funcționarea frânei lanțului după curățare.
- Consultați secțiunea "Operare - Verificarea și operarea frânei lanțului" din acest manual pentru informații suplimentare.

REGLAREA VITEZEI MOTORULUI ȘI A CARBURATORULUI.

⚠️ AVERTISMENT

Reglarea incorectă a carburatorului poate crește riscul de vătămări, accidente mortale sau distrugerea produsului. Pentru reglarea carburatorului, aduceți produsul la un centru service autorizat.

SCHEMA DE ÎNTREȚINERE

Verificare zilnică	
Amestec carburant	Înainte de fiecare folosire
Lubrifierea lamei	Înainte de fiecare folosire

Tensiunea lanțului	Frecvent și înainte de fiecare folosire
Angajament ambreiaj (nicio mișcare a lanțului în regim de ralanti)	Înainte de fiecare folosire
Ascuțimea lanțului	Înainte de fiecare folosire, verificați vizual
Dacă sunt piese defecte	Înainte de fiecare folosire
Dacă sunt slăbite dispozitivele de fixare	Înainte de fiecare folosire
Dacă sunt piese slăbite	Înainte de fiecare folosire
Funcția frânei cu lanț	Înainte de fiecare folosire
Pentru scurgeri de combustibil	Înainte de fiecare folosire

INSPECTAȚI ȘI CURĂȚAȚI

Lamă	Înainte de fiecare folosire
Drujba completă	După fiecare folosire
Filtru de aer	La fiecare 5 ore*
Frâna lanțului	La fiecare 5 ore*
Înlocuiriți filtrul de combustibil	Anual
Înlocuiriți filtrul de combustibil	Anual

*Ore de operare

RISCURI REZIDUALE

Chiar dacă produsul este folosit așa cum a fost prescris, este totuși imposibil să se elimine complet anumii factori de risc reziduali. Următoarele pericole pot apărea în timpul folosirii și operatorul trebuie să acorde atenție specială pentru a evita următoarele:

- Vătămare cauzată de vibrație. Folosiți întotdeauna aparatul potrivit pentru sarcină, folosiți mânerul prevăzute și restricționați timpul de lucru și expunerea.
- Expunerea la zgomot poate cauza vătămarea auzului. Purați protecție pentru auz și limitați expunerea.
- Contactul cu dinții expuși ai lanțului ferăstrăului (pericole de tăiere).
- Mișcare neprevăzută, abruptă sau recul al lanțului de ghidare (pericole de tăiere).
- Părți proiectate de ferăstrău (pericole la tăiere/injectare)
- Părți aruncate din piesa de lucru (așchii de lemn, fragmente de lemn).
- Inhalarea particulelor de praf de la ferăstrău sau a emisiilor de la motorul pe benzină.
- contactul pielii cu benzina/uleiul.

EN
FR
DE
ES
IT
NL
PT
DA
SV
FI
NO
RU
PL
CS
HU
RO
LV
LT
ET
HR
SL
SK
BG

REDUCEREA RISCULUI

S-a raportat faptul că vibrațiile produse de uneltele manuale pot contribui, la anumite persoane, la o afecțiune denumită Sindromul Raynaud. Simptomele pot include furnicături, amorțeală și albirea degetelor, care apare, de obicei, după expunerea la frig. Factori ereditari, expunerea la frig și umiditate, dieta, fumatul și practicile de muncă contribuie la dezvoltarea acestor simptome. Există măsurător care pot fi efectuate de către operator pentru a reduce efectele de vibrațiilor:

- Păstrați-vă temperatura corporală ridicată pe vreme rece. Când operați produsul purtați mănuși pentru a menține calde mâinile și încheieturile. S-a constatat că vremea rece este un factor major care contribuie la sindromul Raynaud.
- După fiecare perioadă de operare, trebuie făcute exerciții pentru a crește circulația sângelui.
- Trebuie făcute pauze la intervale de timp regulate. Limitați expunerea zilnică.
- Mănușile de protecție disponibile la magazinele de specialitate sunt proiectate specific pentru folosirea ferăstrăielor cu lanț și oferă protecție și o priză bună. Mănușile de asemenea reduc efectul de vibrație a mâinilor. Aceste mănuși trebuie să fie în conformitate cu EN381-7 și trebuie să fie marcate CE.

Dacă sunt experimentate oricare dintre simptomele acestei afecțiuni, trebuie întreruptă utilizarea și consultat un medic.

⚠️ AVERTISMENT

Pot fi cauzate sau agravate vătămările de la folosirea prelungită a aparatului. Atunci când folosiți o sculă pentru perioade prelungite, asigurați-vă că luați pauze regulate.

CUNOAȘTEȚI-VĂ PRODUSUL

Vezi pagina 271.

PĂRȚI

1. Lanțul ferăstrăului
2. Ghidul lanțului
3. Apărătoarea-măinii din față/frâna lanțului
4. Măner anterior
5. Capac filtru de aer
6. Mănerul demarorului
7. Mănerul principal
8. Știftul amortizor
9. Capac amortizor
10. Bușonul rezervorului de carburant
11. Bușonul rezervorului de ulei
12. Întrerupător pornire
13. Butonul de deblocare a trăgaciului
14. Trăgaciul accelerorului
15. Pompa de amorsare
16. Mănerul șocului
17. Cheie combinată
18. Apărătoare roată lanț
19. Dispozitiv de prindere a lanțului
20. Inel de reglare a tensiunii lanțului
21. Buton rotativ de blocare a barei de ghidare.

186 | Română

22. Apărătoare bară de ghidare

DISPOZITIVE DE SIGURANȚĂ

LANȚ CU TENDINȚĂ REDUSĂ DE RECOL

Un ferăstrău cu recul redus ajută la reducerea posibilității unui eveniment de recul.

Limitatorii de adâncime situați în fața fiecărui dinte pot reduce forța efectului de recul evitând ca dinții să pătrundă prea adânc în zona de recul. Folosiți doar bară de ghidare și combinații de lanț de schimb recomandate de producător.

Fiți și mai vigilenți după ce lanț ascuțit lanțul ferăstrăului, deoarece ascuțirea face ca lanțul să fie mai puțin rezistent la recul. Pentru siguranța dvs, înlocuiți lanțul ferăstrăului atunci când performanța tăierii scade

ȘTIFTUL AMORTIZOR

Știftul integral amortizor poate fi folosit ca articulație atunci când se execută o tăiere. Vă ajută să țineți corpul ferăstrăului stabil în timp ce tăiați. Atunci când tăiați, împingeți în față aparatul până când dinții ferăstrăului creștează în marginea lemnului, apoi mișcând mânerul posterior în sus și în jos în direcția liniei de tăiere poate ajuta la ușurarea solicitării fizice ale tăierii.

GHIDUL DE LANȚ

În general, barele de ghidare cu rază mică a vârfului au o aerum un potențial mai scăzut de recul. Folosiți doar bară de ghidare și combinații de lanț de schimb recomandate de producător. Folosirea de bare de ghidare nerecomandate crește riscul de pierdere a controlului în timpul operațiunii de tăiere. Verificați regulat tensiunea lanțului. Atunci când tăiați crengi mai mici (mai mici decât lungimea totală a barei de ghidare) lanțul este foarte probabil să fie aruncat dacă tensiunea lui nu este corectă.

FRÂNA LANȚULUI

Frâna lanțului a fost concepută pentru a permite oprirea rapidă a lanțului din rotație. Lanțul trebuie să se oprească imediat atunci când mânerul frânei/apărătoarei mâinii este împins în față. Frâna lanțului nu împiedică efectul de recul. Doar scade riscul de vătămare dacă bara cu lanț vine în contact cu corpul operatorului în timpul unui eveniment de recul. Frâna lanțului trebuie să fie testată înainte de fiecare folosire pentru o corectă operare atât în poziția de funcționare cât și în poziția frână.

DISPOZITIV DE PRINDERE A LANȚULUI

Un prinzător de lanț previne ca lanțul ferăstrăului să fie aruncat în spate înspre operator dacă lanțul ferăstrăului este slăbit sau se rupe.

SIMBOLURILE DE PE PRODUS.



Avertizare de siguranță



Citiți și înțelegeți toate instrucțiunile înaintea operării produsului, urmați toate avertizările și instrucțiunile de siguranță.



Purtați protecție pentru ochi, auz și cap.



Purtați întotdeauna încălțăminte de siguranță antiderapantă când utilizați acest produs.



Purtați mănuși care nu alunecă, destinate pentru operațiuni grele.



Fiți atent la reculul drujbei și evitați contactul cu vârful barei.



Țineți și utilizați ferăstrăul cu ambele mâini.



Se interzice utilizarea ferăstrăului cu lanț ținându-l cu o singură mână.



Acest aparat este conform cu ansamblul normelor reglementare din țara din UE în care a fost cumpărat.



Utilizați benzină fără plumb destinată automobilelor cu o cifră octanică de 91 (R+M)/2 sau mai mare.



Utilizați ulei pentru motoare în 2 timp la motoarele răcite cu aer.



Amestecați combustibilul bine și, de asemenea, înainte de fiecare alimentare.



Adăgați ulei la bară și lanț de fiecare dată când adăgați carburant în produs.



Reglarea frânei lanțului în poziția FUNCȚIONARE



Reglarea frânei lanțului în poziția FRÂNĂ



Rotiți comutatorul de aprindere în poziția ON (PORNIT).



Apăsăți pompa de amorsare de 10 ori .



Setați maneta șocului la poziția „FULL”.



Trageți de mânerul demarorului (nu mai mult de cinci ori) până când auziți motorul pornind.



Setați maneta șocului la poziția „HALF”.



Trageți mânerul starterului până când motorul pornește.



Apăsăți eliberarea trăgaciului și trăgaciul de accelerație.



Marcaj de conformitate EurAsian



Nivelul garantat de putere al sunetului este de 112 dB



Lubrifiant pentru lamă și lanț



Benzină fără plumb și ulei pentru motor în 2 timpi.



Poziția mers



Poziție la jumătate a șocului.



Poziția „FULL”



Piedică



Deblocare



Rotiți pentru a regla tensiunea lanțului
+ = Strângerea lanțului
- = Slăbirea lanțului.



Direcția de mișcare a lanțului (Marcat sub apăătoarea roții dințate)



Mod normal



Mod anti-îngheț



T	Reglare turație de ralanti
H	Ac de reglare a vitezei ridicate.
L	Ac de reglare a vitezei scăzute.

ATENȚIE

Indică o situație potențial periculoasă, care dacă nu este evitată poate cauza vătămarea moderată sau ușoară.

ATENȚIE

Fără a simbolul de alertă privind siguranța
Indică o situație care poate duce la pagube materiale.

SIMBOLURI DIN ACEST MANUAL



Amestecați carburantul în aer liber, departe de orice scânteie sau flacără.



Nu fumați când amestecați combustibilul sau când umpleți rezervorul de combustibil.



Piese sau accesorii vândute separat



Deșeurile produselor electrice nu trebuie înălțurate împreună cu deșeurile casnice. Vă rugăm reciclați acolo unde există facilități.



Observație



Avertisment!



Purtați protecție pentru ochi și față.



Purtați protecție superioară a corpului



Purtați protecție pentru picioare



Oprțiți produsul



Blocați capacul de acces la filtru.



Deblocați capacul de acces la filtru.

Următoarele cuvinte de semnalizare sunt destinate a explica nivelele de risc asociate cu acest produs:

PERICOL

Indică o situație periculoasă iminentă, care dacă nu este evitată va cauza decesul sau vătămarea gravă.

AVERTISMENT

Indică o situație periculoasă iminentă, care dacă nu este evitată poate rezulta în deces sau vătămare gravă.

Drošība, sniegums un uzticamība ir galvenā prioritāte izstrādājot jūsu Benzīna ķēdes zāģis.

PAREDZĒTAIS LIETOJUMS

Ierīce ir paredzēta tikai lietošanai ārā, labi vēdinātos apstākļos. Drošības apsvērumu dēļ ierīcei vienmēr jābūt pienācīgi kontrolētai, izmantojot abas rokas.

Ierīce ir paredzēta zaru, stumbru, balķu un apaļkoku zāģēšanai ar tādu diametru, ko nosaka slīdes griešanas garums. Tas ir paredzēts tikai koka zāģēšanai. Tā ir paredzēta izmantošanai tikai mājas apstākļos pieaugušajiem, kuri ir pienācīgi apmācīti par bīstamību un profilaktiskiem pasākumiem/darbībām, kas jāveic tās lietošanas laikā.

Neizmantojiet ierīci citiem nolūkiem, kas nav iepriekš uzskaitīti. Tā nav paredzēta izmantošanai profesionāliem zāģēšanas pakalpojumu sniedzējiem. Ierīci nedrīkst izmantot bērni vai personas bez atbilstoši individuālajiem aizsardzības līdzekļiem un apģērba.

▲ BRĪDINĀJUMS

Izmantojot ierīci, izpildiet drošības noteikumus. Jūsu un tuvāk stāvošo cilvēku drošībai, pirms ierīces lietošanas jums ir jāizlasa un pilnībā jāsaprot šīs ierīces instrukcijas. Jums vajadzētu apmeklēt profesionāli organizētus kursus par drošību saistībā ar ķēdes zāģu apkopi, lietošanu, profilaktiskiem pasākumiem un pirmās palīdzības sniegšanu. Lūdzu, glabājiet noteikumus drošā vietā vēlākai izmantošanai.

▲ BRĪDINĀJUMS

Ķēdes zāģi ir potenciāli bīstamas ierīces. Nelaiemes gadījumi saistībā ar ķēdes zāģu lietošanu bieži noved pie ekstremitāšu zaudēšanas vai nāves. Bīstams ir ne tikai pats ķēdes zāģis. Nogalināt var gan krītoši zari un koki, gan ritoši balķi. Papildu bīstamību rada slimi vai pūstoši koki. Jums jāizvērtē sava spēja droši pabeigt uzdevumu. Ja pastāv šaubas, uzticiet to koku zāģēšanas profesionāļiem.

VISPĀRĪGIE DROŠĪBAS BRĪDINĀJUMI

- Dažos reģionos pastāv noteikumi, kas ierobežo preces lietošanu. Vērsieties pie atbildīgajām amatpersonām pēc padoma.
- Neļaujiet šo izstrādājumu lietot bērniem vai cilvēkiem, kuri nav izlasījuši šīs instrukcijas. Vietas īstatymai gali apribojti jrengimo operatorius amžiu.
- Pirms katras lietošanas reizes pārļiecinieties, ka visas kontroles un drošības sistēmas ir darba kārtībā. Neizmantojiet ierīci, ja izslēģšanas slēdzis neapstādina motoru.
- Nekad nedarbiniet dzinēju slēģtās vai nepietiekami vēdinātās vietās; izplūdes gāzu ieelpošana var izraisīt nāvi.
- Pirms katras lietošanas reizes iztīriet darba vietu; pārlivēta un netīra darba vieta var izraisīt nelaiemes gadījumus.

- Lietojot ierīci, izmantojiet pilnus redzes un dzirdes aizsarglīdzekļus, izturīgus cimdus, aizsargzābakus ar neslīdošām zolēm, kā arī galvas aizsarglīdzekļus. Ja darbs ir puteklains, izmantojiet sejas masku.
- Nevalkājiet vaļīgu apģērbu, īsas bikses vai jebkādas rotaslietas.
- Nostipriniet garus matus tā, lai tie ir virs plecu līmeņa, lai novērstu sapīšanos kustīgajās daļās.
- Uzmanieties no mestiem, lidojošiem un krītošiem priekšmetiem. Neļaujiet nepiederošām personām (it īpaši bērniem un mājdzīvniekiem) tuvoties darba zonai tuvāk par 15m.
- Nekādā gadījumā nelietojiet ierīci sprādzienbīstamā vai viegli uzliesmojošā vidē.
- Lietojot ierīci, cieši satveriet abus rokturus.
- Strādājot ar ierīci, uzmanieties, sekojiet savam darbam un vadieties pēc veselā saprāta. Nerīkojieties ar šo ražojumu, kad esat noguris, slims vai esot alkohola, narkotiku vai zāļu ietekmē. Neuzmanība darbā ar ierīci var izraisīt smagus ievainojumus.
- Nelietojiet slīktā apgaisojumā. Lietotājam jābūt pilnai redzamībai pār darba zonu, lai spētu identificēt iespējamus draudus.
- Dzirdes aizsargu lietošana mazinās jūsu spēju dzirdēt brīdinājumus (blāvienus vai skaņas signālus). Operatoram jāpievērš sevišķa uzmanība tam, kas notiek darba zonā.
- Līdzīgas ierīces izmantošana tuvumā palielina gan risku sabojāt dzirdi, gan iespēju, ka otrs cilvēks ieies jūsu darba zonā.
- Visada tvirtai stovēkite ir išlaikykite pusiausvyra. Nepersitempkite. Sniedzoties pārāk tālu, jūs varat zaudēt līdzsvaru un nonākt saskarē ar karstām virsmām, un palielināt atsitiena risku.
- Turiet visas ķermeņa daļas tālu no visām kustīgajām detaļām.
- Neaiztieciat iekārtas klusinātāja vai dzinēja apkārti, jo šīs daļas darba laikā sakarst.
- Pirms katras lietošanas reizes pārbaudiet ierīci. Pārbaudiet, kā pareizi jārikojas ar visām vadības ierīcēm, tai skaitā ķēdes bremzi. Pārbaudiet, vai visi stiprinājumi ir vietā, pārļiecinieties, ka visi aizsargi un rokturi atbilstoši un droši piestiprināti. Pirms lietošanas nomainiet visas bojātās detaļas.
- Nepārveidojiet ierīci un nelietojiet detaļas un aksesuārus, kurus nav ieteicies ražotājs.

▲ BRĪDINĀJUMS

Ja ierīce tiek nomesta, tā ir saskārusies ar smagu triecienu vai tā sāk nevaldāmi vibrēt, nekavējoties izslēdziet ierīci un centieties atrast bojājumu vai arī cēloni šādai vibrācijai. Jebkāda tehniska apkope ir jāveic tikai autorizētos tehniskās apkopes centros.

- Jaucot degvielu vai uzplīdes degvielas tvērtni, nav dūmu un turēt 10 m attālumā no jebkura avota aizdegšanās.
- Jauciet un glabājiet degvielu tādā traukā, kas ir piemērots benzīnam.

EN
FR
DE
ES
IT
NL
PT
DA
SV
FI
NO
RU
PL
CS
HU
RO
LV
LT
ET
HR
SL
SK
BG

- Degvielu jaučiet tikai zem klajas debess, atstatu no liesmas un dzirkstelēm. Izlīdusi vai izšļakstījusies degviela ir uzreiz jānoslauka. Pirms dzinēja palaišanas atkāpieties 10 m (30 pēdas) no uzpildes vietas.
- Apstādiniet motoru un ļaujiet tam atdzist pirms ierīci uzpildīt ar degvielu, novietojat glabāšanā vai transportējat.
- Aterieties pareizi aizvērt visus degvielas tvertnes/konteinera vākus pēc uzpildes vai maisīšanas.

KĒDES ZĀĢA DROŠĪBAS BRĪDINĀJUMI

- Kad ierīce netiek lietota vai tiek nesta vai transportēta, obligāti uzstādi vadotnes pārsegu. Tādējādi jūs samazināsiet risku nejauši saskarties ar ķēdes asajiem asmeņiem. Pārnēsājot ierīci, satveriet to aiz augšējā roktura tā, lai vadotne būtu vērsta prom no ķermeņa.
- Jums vajadzētu pieradināties lietot jauno ķēdes zāģi, veicot vienkāršus griezumus droši atbalstītā kokā. Rīkojieties tā ikreiz, kad ilgāku laiku neesat darbojies ar zāģi.
- Lietojot ierīci pirmo reizi, baļķu zāģēšanai izmantojiet balstus vai darba galdus.
- Nodrošiniet, ka visi aizsargi, rokturi un mizas buferis ir pareizi uzstādīts un ir labā stāvoklī.
- Personām, kas lieto ierīci, ir jābūt labam veselības stāvoklim. Ierīce ir smaga, tāpēc operatoram ir nepieciešama laba fiziskā forma. Operatoram jāpieņem modrību, labai redzei, mobilitātei, līdzsvaram un roku veiktībai. Ja pastāv šaubas, nelietojiet ierīci.
- Lietojot ierīci, nestāviet uz nestabilas virsmas. Tas var ietvert, bet neaprobežojas ar kāpnēm, sastatnēm un kokiem. Abām rokām vienmēr jābūt uz ierīces rokturiem.
- Nesāciet izmantot ierīci pirms nav atīrīta darba zona, nestāvat uz drošas pamatnes un neesat izplānojis atkāpšanās ceļu no krītoša koka.
- Rīkojieties ļoti piesardzīgi, kad zāģējat sīkus kociņus un zariņus, jo nelieli priekšmeti var iekerties motorzāģa ķēdē un tikt sviesti jums virsū, vai arī jūs varat zaudēt līdzsvaru.
- Ja zāģējat zaru, kurš ir nospriegots, esiet vienmēr gatavs ātri doties projām, lai nesāņētu sitienu ar zaru, kad tas atbrīvosies no nospriegojuma.
- Sargieties no izplūdes gāzēm, eļļas tvaikiem un zāģskaidām. Ja nepieciešams, lietojiet masku vai respiratoru.
- Negrieziet vīnogulāju un/vai nelielu pamežu (kas diametrā mazāks par 75 mm).
- Darbinot ķēdes zāģi, vienmēr turiet zāģi ar abām rokām. Motorzāģis ir jātur stingri, ar pirkstiem aptverot rokturus. Labajai rokai jāatrodas uz aizmugurējā roktura, bet kreisajai uz priekšējā roktura.
- Pirms iedarbiniet ierīci pārliecinieties, ka zāģa ķēde nepieskaras kādam priekšmetam. Iedarbinot ierīci, ķēdes bremzei jābūt ieslēgtai (pilnībā nospiestai uz priekšu).
- Nekādā gadījumā nepārveidojiet ierīci un neizmantojiet to lai darbinātu citu aprīkojumu vai ierīces, kuras neiesaka ierīces ražotājs.

- Operatora tuvumā jāatrodas pirmās palīdzības aptieciņai ar lieliem brūču pārsējiem un līdzekļiem, kā pievērst uzmanību (piemēram, svilpei). Pietiekami tuvu jāatrodas arī lielāki, visaptverošai aptieciņai.
- Ja darba zonā nepastāv krītošu priekšmetu risks, operators var vēlēties noņemt ķiveri, bet jāatceras, ka ķivere, it īpaši tāda, kas aprīkota ar sieta vizeri, var palīdzēt samazināt sejas un galvas traumas iespējamību atsitiena gadījumā.
- Nepareizi nospriegota ķēde var nokrist no sliedes, izraisot nopietnu traumu vai nāvi. Ķēdes garums ir atkarīgs no ķēdes temperatūras un ķēdes nodiluma. Bieži pārbaudiet nospriegojumu.
- Turiet rokturus sausus, tīrus un bez eļļas un smērvielām. Tāukaini un eļļaini rokturi ir slideni, un tādējādi jūs varat zaudēt kontroli.
- Lai samazinātu risku gūt miesas bojājumus, nonākot saskarē ar kustīgām daļām, vienmēr apturiet dzinēju, ieslēdziet ķēdes bremzi, atvienojiet aizdedzes sveces vadu un pārliecinieties, ka visas kustīgās daļas ir apstājušās, pirms
 - nosprostojumu tīrīšana vai aizvākšana
 - izstrādājuma atstāšana bez uzraudzības
 - piederumu uzstādīšanas vai noņemšanas
 - ierīces pārbaudīšana, apkope vai darbināšana
- Bīstamā apgabala plašums ir atkarīgs no veicamā darba, kā arī no koka garuma un no apstrādājamā priekšmeta lieluma. Piemēram, koku gāšanai nepieciešama lielāka darba zona nekā citiem zāģēšanas veidiem, t.i. sagarumošanai utt. Operatoram jāapzinās un jākontrolē viss, kas notiek šajā darba zonā.
- Zāģēšanas laikā neturiet ķermeni vienā līnijā ar sliedi un ķēdi. Ja tomēr izjutīsiet atsitenu, tas palīdzēs izvairīties no galvas vai ķermeņa kontakta ar ķēdi.
- Nekustīniet zāģi turp un atpakaļ; ļaujiet ķēdei paveikt darbu. Uzturiet ķēdi asu un nemēģiniet to spiest zāģējuma vietā.
- Zāģējuma beigās motorzāģis vairs nav jāgrūž. Esiet gatavs noturēt zāģa svāru, kad tas pārzāģē koku. Noteikumu neievērošana var izraisīt smagus ievainojumus.
- Neapturiet zāģi zāģēšanas darbības laikā. Darbiniet zāģi līdz tas izņemts no griezumta vietas.

Individuālie aizsardzības līdzekļi

Labas kvalitātes individuālie aizsardzības līdzekļi, kādus izmanto profesionāļi, palīdzēs samazināt operatora ievainojumu gūšanas risku. Darbinot ķēdes zāģi, būtu jāvalkā turpmākās lietas:

Aizsargķivere

- jāatbilst standartam EN 397-11 un jābūt marķētai ar CE zīmi

Dzirdes aizsargs

- jāatbilst standartam EN 352-1 un jābūt marķētai ar CE zīmi

Acu un sejas aizsargs

- jābūt marķētām ar CE zīmi un jāatbilst standartam EN 166 (aizsargbrīļu gadījumā) vai standartam EN 1731 (sieta viziera gadījumā)

automobiļu eļļu vai kontrabandas divtaktu dzinēja eļļu.

- Iejauciet eļļu degvielā tā. Lai attiecība būtu 50:1 (2% eļļas).
- Labi sajauciet degvielu katreiz, kad uzpildāt tvertni.
- Degviela ir jā sajauc nelieļā daudzumā. Nevajadzētu sajaukt degvielu ilgākam laikam nekā vienam mēnesim. Ieteicama 2 ciklu smērviela, kas satur degvielas stabilizatoru.

PIEZĪME: Degvielas sistēmas bojājumi vai darbības problēmas rodas no bagātīnātās degvielas, kas satur vairāk skābekļa procentu kā iepriekš noteikts saskaņā ar garantiju.

Degvielas tvertnes uzpilde

Skatīt 273. lappusi

- Noslaukiet tvertnes daļu ap vāciņu, lai novērstu to, ka degvielā iekļūst sārņi.
- Lēnām atskrūvējiet degvielas tvertnes vāku.
- Uzmanīgi ielejiet degvielas maisījumu tvertnē, raugoties. Lai nenolīst garām.
- Pirms vāciņa uzskrūvēšanas notīriet saskrūvējuma vietu un pārliecinieties, vai tur nav bojājumu.
- Uzreiz pēc tam uzskrūvējiet tvertnei vāciņu, atcerieties, ka tam ir jābūt cieši noslēgtam! Izlijusi vai izšakstījusies degviela ir uzreiz jānoslauka.

PIEZĪME: Tas ir normāli, motors izstarot dūmus laikā un pēc pirmās lietošanas.

ĶĒDES SMĒREĻĻAS PIEVIENOŠANA

Skatīt 273. lappusi

⚠ BRĪDINĀJUMS

Nekad nedarbiniet zāģi bez smērēļļas. Ja zāģa ķēde tiek darbināta bez smērēļļas, sliede un zāģa ķēde var tikt bojāta. Tāpēc ir būtiski bieži pārbaudīt eļļas līmeņrādī, kā arī katru reizi pirms uzsākt lietot ķēdes zāģi.

1. Notīriet virsmu ap eļļas uzpildes atveres vāciņu, lai novērstu piesārņojumu.
2. Atskrūvējiet un noņemiet vāciņu no eļļas tvertnes.
3. Ielejiet eļļu eļļas tvertnē un pārbaudiet eļļas līmeņrādī. Pārliecinieties, ka eļļas uzpildes laikā eļļas tvertnē neiekļūst netīrumi.
4. Uzlieciet atpakaļ eļļas uzpildes atveres vāciņu un pievelciet to. Noslaukiet izlijušo eļļu.
5. Vienreiz pilnībā piepildot eļļas tvertni, jūs zāģi varēsiet izmantot 20 - 40 minūtes.

PIEZĪME: No pareizi funkcionējošas ķēdes un stieņa eļļošanas sistēmas lietošanas laikā izdalīsies eļļa. Lai pārbaudītu ķēdes un stieņa eļļošanas sistēmas darbību, piespiediet ķēdes malu pret gaišas krāsas virsmu, piemēram, avīzi. Pēc neilga brīža vajadzētu parādīties līnijai no eļļas.

Ieteicamā ķēžu smērēļļa

- Ražotājs iesaka izmantot tikai Ryobi ķēdes zāģu smērēļļu. (Pieejama pilnvarotā servisa centrā)

IERĪCES PALAIŠANA

Iedarbināšanas metode atšķiras atkarībā no tā, vai dzinējs ir auksts vai silts.

⚠ BRĪDINĀJUMS

Turieties pa kreisi no ķēdes vadīklas. Nekādā gadījumā nestājieties virs motorzāģa un ķēdes, neapveriet tos ar kājām, nenoliecieties pāri ķēdei!

- Novietojiet ierīci uz līdzenas zemes un pārliecinieties, ka tiešā tuvumā nav nekādu priekšmetu un šķēršļu, kas varētu nonākt saskarē ar vadotni un ķēdi.
- Stingri satveriet priekšējo rokturi ar kreiso roku un novietojiet labo kāju aizmugurējā roktura tuvumā.

PIEZĪME: Turpmākajā sākšanas instrukcijā, kad droseles svira ir pilnībā izvirzīta līdz START pozīcijai, drosele ir iestatīta iedarbināšanai. Lai atiestatītu droseļi uz RUN pozīciju, piespiediet un pēc tam atlaidiet droseles trigeri.

Darbības uzsākšana ar aukstu dzinēju:

Skatiet 272 - 273. lpp.

1. Ieslēdziet aizdedzes slēdzi pozīcijā IESLĒGTS.
2. Pārbaudiet, vai ķēdes bremze atrodas BRAKE pozīcijā, pabīdot uz priekšu sviru/roku aizsargu.
3. Septiņas reizes saspiediet sākumuzpildes pūsli.
4. Velciet droseles sviru pilnībā līdz pozīcijai START (Sākt).
5. Kad temperatūra ir virs 10°C, raujiet startera rokturi, līdz dzinējs mēģina uzsākt darbu, bet ne vairāk, kā 3 reizes. Kad temperatūra ir zem 10°C, raujiet startera rokturi, līdz dzinējs mēģina uzsākt darbu, bet ne vairāk, kā 5 reizes.
6. Nospiediet droseles sviru puspozīcijā. Pavelciet palaišanas rokturi līdz dzinējs sāk darboties.
7. Nospiediet slēdža atbrīvotāju un saspiediet droseles slēdzi, pēc tam atlaidiet droseles slēdzi, lai dzinējs atgrieztos tukšgaitā.
8. Ļaujiet ierīcei darboties tukšgaitā 15-30 sekundes.
9. Pirms dzinēja pārītrināšanas vai koka zāģēšanas pārliecinieties, ka ķēdes bremze ir palaišanas pozīcijā, pavelkot atpakaļ bremzes sviru/rokas aizsargu.

⚠ UZMANĪBU

Ja jūs neatlaidīsiet slēdzi, kam vajadzētu pārslēgt dzinēju tukšgaitā, kad ķēdes bremze ir ieslēgta, tad pastāv iespēja sabojāt dzinēju. Nedrīkst turēt slēdzi nospiestu, kad ir ieslēgta bremze.

Darbības uzsākšana ar siltu dzinēju:

Skatīt 281. lappusi

1. Ieslēdziet aizdedzes slēdzi pozīcijā IESLĒGTS.
2. Pārbaudiet, vai ķēdes bremze atrodas BRAKE pozīcijā, pabīdot uz priekšu sviru/roku aizsargu.
3. Nospiediet degvielas pumpīti 10 reizes.
4. Izvelciet droseles sviru pilnībā ārā iedarbināšanas pozīcijā un pēc tam iestumiet to atpakaļ palaišanas pozīcijā.
5. Pavelciet startera rokturi, līdz dzinējs iedarbojas, bet ne vairāk kā 5 reizes. Nospiediet slēdža atbrīvotāju un

saspiediet droseles slēdzi, pēc tam atlaidiet droseles slēdzi, lai dzinējs atgrieztos tukšgaitā. Ja dzinējs neieslēdzas pēc 5 reizēm, izmantojiet auksto dzinēja palaišanas procedūru.

6. Pirms dzinēja paātrināšanas vai koka zāģēšanas pārliecinieties, ka ķēdes bremze ir palaišanas pozīcijā, pavelkot atpakaļ bremzes sviru/rokas aizsargu.

DARBĪBAS REŽĪMU PĀRSLĒGŠANA

Skatīt 287. lappusi

Ierīcei ir pretaizsalšanas režīms, kas neļauj veidoties ledum karburatora iekšpusē, darbinot ierīci temperatūrā $\leq 5^{\circ}\text{C}$.

Ventilācijas lūku gaisa tīrītāja pārsega labajā pusē var pabīdīt, lai dzinējam piekļūtu silts gaiss un karburatora iekšpusē neveidotos ledus.

▲ BRĪDINĀJUMS

Ja nepārslēgsieties no parastā režīma uz pretaizsalšanas režīmu temperatūrā $\leq 5^{\circ}\text{C}$, samazināsies dzinēja jauda vai nedarbosies dzinējs.

Vienmēr atcerieties pārslēgt ierīci parastā darbības režīmā, ja nepastāv risks ledum veidoties karburatora iekšpusē. Ja nepārslēgsieties no pretaizsalšanas režīma uz parasto režīmu normālas temperatūras apstākļos, var nedarboties dzinējs.

DZINĒJA APTURĒŠANA

Atlaidiet slēdzi un ļaujiet dzinēja darbībai palēnināties. Dzinēju aptur, pagriežot slēdzi izslēguma stāvoklī, kas apzīmēts ar "O". Nedrīkst likt motorzāģi zemē, kamēr ķēde vēl kustas. Vēl drošāk būs, ja iedarbināsiet ķēdes bremzi tajā laikā, kad nelietojat motorzāģi.

Ja motorzāģi neizdodas apturēt ar slēdzi, tad pavelciet startera sviru, līdz tā ir pavisam izvilkta un nostiepta, un tad iedarbiniet ķēdes bremzi - dzinējs apstāsies. Ja motorzāģis neizslēdzas, kad slēdzis ir pārslēgts aptures stāvoklī "O", tad lieciet to salabot, un tikai tad drīkstat atkal sākt lietot motorzāģi - tādējādi jūs novērsīsiet bīstamību, t.i., iespēju sevi smagi savainot.

PIEZĪME: Pēc ierīces lietošanas vienmēr atbrīvojiet tvertnes spiedienu, atskrūvējot un atkal aizskrūvējot ķēdes smērvielas un degvielas tvertnes vākus. Ļaujiet, lai dzinējs atdziest, un tikai pēc tam noglabājiert rīku.

IERĪCES TURĒŠANA

Skatīt 273. lappusi

Vienmēr turiet ķēdes zāģi, labajai rokai atrodoties uz aizmugurējā roktura, bet kreisajai rokai - uz priekšējā roktura. Satveriet abus rokturus tā, lai tīkšķi un pirksti aptver rokturus. Pārliecinieties, ka labā roka ir satvērusi priekšējo rokturi, tīkšķim atrodoties apakšā.

ĶĒDES BREMZES PĀRBAUDE UN DARBĪBA

1. Ieslēdziet ķēdes bremzi, pagriežot kreiso roku ap priekšējo rokturi. Izmantojot rokas aizmuguri, pastumiet ķēdes bremzes sviru/rokas aizsargu slīdes virzienā, kamēr ķēde strauji rotē. Abām rokām visu laiku jābūt uz ierīces rokturiem.
2. Atiestatiet ķēdes bremzi atpakaļ darbības pozīcijā, satverot ķēdes bremzes sviras/rokas aizsarga virspusi

un pavelkot to uz priekšējā roktura pusi līdz atskan klikšķis.

▲ BRĪDINĀJUMS

Ja ķēdes bremze nekavējoties neaptur ķēdi vai ķēdes bremze nenostāties gaitas pozīcijā bez palīdzības, pirms lietošanas nogādājiet zāģi pilnvarotajā servisa centrā remontam.

▲ BRĪDINĀJUMS

Kad droseles slēdzis ir atlaists un dzinējs darbojas tukšgaitas ātrumā, zāģa ķēde nedrīkst kustēties. Ja tā tomēr kustas, pastāv risks operatoram gūt nopietnus ievainojumus. Nelietojiet ierīci un nogādājiet to pilnvarotā servisa centrā, lai tā tiktu profesionāli noregulēta.

SAJŪGA PĀRBAUDE

1. Izslēdziet ķēdes bremzi, velkot ķēdes bremzes sviru/roku aizsargu pret priekšējo rokturi, līdz atskan klikšķis.
2. Ļaujiet dzinējam darboties tukšgaitā. Pārliecinieties, ka zāģis ķēde negriežas. Ja ķēde kustas, kad ir ieslēgta tukšgaitā, tad var būt nepieciešams iestatīt karburatoru. Ja zāģa ķēde griežas, bet darbojas tukšgaitā, sajūga var tikt bojāts. Nododiet to profesionālai apkopei apstiprinātā servisa centrā.
3. Nospiediet droseles slēdzi līdz vidum un palaidiet ierīci vidējā ātrumā. Ja sajūgs ir labā darba stāvoklī, zāģa ķēde rotēs vienmērīgi.

Atsitienu iemesli un veidi, kā operators no tiem var izvairīties:

Var notikt tā saucamais motorzāģa prettrieciens, ja ķēdes vadītāks gals uzduras kādam priekšmetam vai ja ķēde zāģēšanas laikā tiek saspiesta un iesprūst kokā.

Slīdes gala nonākšana saskarē ar kādu priekšmetu noteiktos gadījumos var izraisīt tā spēcīgu atmešanu pretējā virzienā, kā rezultātā slīde pārvietojas uz augšu un operatora virzienā.

Ja zāģa ķēde tiek iespiesta vadošās slīdes augšdaļā, tad vadošā slīde var tikt strauji mesta operatora virzienā.

Šādas reakcijas var likt jums zaudēt kontroli pār ierīci, kā rezultātā var rasties nopietna personiska trauma. Nepietiek ar to, ka jūs uzticiaties tikai šā motorzāģa aizsargierīcēm! Jums ir arī jāievēro vairāki nosacījumi, lai novērstu nelaimes gadījumu izraisīšanos un savainojumu gūšanas iespēju.

Atsitiens rodas ierīces nepareizas lietošanas rezultātā un/vai nepareizu darba procedūru vai darba apstākļu dēļ, un no tā var izvairīties, ievērojot turpmākos piesardzības pasākumus:

- Cieši turiet zāģi ar abām rokām tā, lai tīkšķis un pārējie pirksti aptvertu ķēdes zāģa rokturus, un novietojiet savu ķermeni un rokas tādā pozīcijā, kas ļaus jums izturēt atsitienu spēku. Operators var kontrolēt atsitienu spēku, ievērojot attiecīgus norādījumus.
- Nestiepieties un nezāģējiet virs plecu līmeņa. Tas ļaus izvairīties no nejušas saskarsmes un ļaus labāk kontrolēt ķēdes zāģi neparedzētās situācijās.

- **Lietojiet tikai ražotāja norādītās sliedes un ķēdes.** Neatbilstošas rezerves sliedes un ķēdes var izraisīt ķēdes pīššanu un/vai atsietieni.
- **Ievērojiet ražotāja norādījumus par zāģa ķēdes uzturēšanu.** Zāģēšanas dzijuma samazināšana var palielināt atsietiena spēku.

VILKŠANAS UN GRUŠANAS SPĒKS

Skatīt 279. lappusi

Uz motorzāģi iedarbojas spēks, kura virziens ir pretējs tam virzienam, kādā kustas ķēde. Līdz ar to operatoram jābūt gatavam kontrolēt mašīnas tendenci parauties uz priekšu (uz priekšu vērsta kustība), zāģējot gar sliedes apakšējo malu, un atraucies atpakaļ (virzienā uz operatoru), zāģējot gar augšējo malu.

ZĀĢIS IESTRĒDZIS GRIEZUMĀ

Apturiet ķēdes zāģi un padariet to drošu. Necentieties ar spēku izvilkāt ķēdi no griezumā, jo ķēde var notrūkt un atsisties atpakaļ, tūpat operatoram. Šāda situācija parasti notiek tāpēc, ka koks ir nepareizi atbalstīts un piespiež griezumā vietu, tādējādi saspiežot asmeni. Ja atbalsta regulēšana nepalīdz atbrīvot vadotni no ķēdi, izmantojiet koka ķīļus vai sviru, lai atvērtu zāģējuma vietu un atbrīvotu ierīci. Nekad nemēģiniet ieslēgt ķēdes zāģi, ja sliede jau atrodas griezumā vai izzāģējumā.

NORĀDĪJUMI PAREIZAS METODES IZMANTOŠANAI, VEICOT KOKU GĀŠANU, ATZAROŠANU UN SAGARUMOŠANU

Izpratne par koksnes iekšējiem spēkiem

Izprotot koksnes iekšējo virzienvērsto spiedienu un spriegumu, jūs varat samazināt saspiešanos vai vismaz ar to zāģēšanas laikā rēķināties. Koksnes nospriegojums nozīmē to, ka šķiedras tiek saplēstas, un, ja šajā zonā tiek veikts "izzāģējums" vai iegriezums, tam būs tendence atvērties, zāģim virzoties cauri. Ja balķis ir atbalstīts uz statīva, bet tā gals neatbalstīts karājas pār malu, balķa gala svara dēļ, kas nostiep šķiedras, augšējā virsma tiek nospriegota. Līdzīgi tiks saspiesta balķa apakšējā puse, saspiežot kopā šķiedras. Izdarot griezumus šajā zonā, izzāģējumam būs tendence zāģēšanas laikā aizvērties. Šajā gadījumā tiktu saspīests asmens.

Koka gāšana

Skatīt 277 - 278. lappusi

Ja sagarumošanas un koku gāšanas darbības vienlaicīgi veic divas vai vairākas personas, gāšanas darbības būtu jāveic tādā attālumā no sagarumošanas darbībām, kas ir divreiz lielāks par koka garumu, kas tiek gāzts. Kokus nevajadzētu gāzt tādā veidā, kas var apdraudēt kādu personu, pārraut kādu komunālo tīklu vai radīt bojājumus tīklam. Ja koks tomēr trāpa kādam komunālajam tīklam, tas nekavējoties jāpaziņo attiecīgajam uzņēmumam. Ja jūs zāģējat, stāvēdams uz nogāzes, tad vienmēr uzturieties augstāk par koku, jo tas pēc nogāšanas var velties vai slidēt lejup pa nogāzi.

Pirms uzsākt zāģēšanu jāizplāno atkāpšanās ceļš un tas vajadzības gadījumā jāattīra. Atkāpšanās ceļam jābūt vērstam atpakaļ un diagonāli pret sagaidāmās krišanas līnijas aizmuguri.

Pirms uzsākt koku gāšanu ņemiet vērā koka dabisko liekšanās virzienu, lielāko zaru novietojumu un vēja virzienu, lai spriestu, kurā virzienā krītis koks.

Attīriet koku no netīrumiem, akmeņiem, vaļiņas mizas, naglām, skavām un vadiem.

Nemēģiniet gāzt kokus, kas ir sapuvuši vai kurus bojājis vējš, uguns, zibens utt. Tas ir ļoti bīstami un būtu jāveic tikai koku gāšanas profesionāļiem.

- **Koka aizzāģējums pirms gāšanas**

Skatīt 277 - 278. lappusi

Veiciet 1/3 dziļu iegriezumu koka diametrā, perpendikulāri kritiena virzienam. Vispirms veiciet zemāko horizontālo iegriezumu. Tas palīdzēs izvairīties no zāģa ķēdes vai sliedes saspiešanas, veicot otro iegriezumu.

- **Gāšanas zāģējums**

Skatīt 277 - 278. lappusi

Veiciet gāšanas zāģējumu vismaz 50 mm augstāk par horizontālo aizzāģējumu. Gāšanas zāģējumam jābūt paralēlam horizontālajam aizzāģējumam. Veicot gāšanas zāģējumu, atstājiet pietiekami daudz koksnes, kas kalpos kā enģe. Koka enģe neļaus kokam pagriezties un nokrist nepareizā virzienā. Nepārgrieziet enģi.

Aizzāģējot līdz enģei, kokam vajadzētu sākt krist. Ja pastāv iespēja, ka koks varētu nekrist vēlamajā virzienā vai varētu šūpoties at muguriski un saspīest zāģa ķēdi, pārtrauciet zāģēšanu pirms gāšanas zāģējuma pabeigšanas un, izmantojot koka, plastmasas vai alumīnija ķīļus, atveriet griezumā vietu un nogāziet koku gar vēlamo kritiena līniju.

Kokam sākot krist, izņemiet ķēdes zāģi no griezumā vietas, apturiet motoru, nolieciet ķēdes zāģi un izmantojiet plānoto atkāpšanās ceļu. Uzmanieties no krītošiem zariem un saglabājiet pamatu zem kājām.

Balsta sakņu apzāģošana

Skatīt 278. lappusi

Par balsta sakni sauc lielu koka sakni, kas atiet no stumbra nedaudz virs zemes. Šādas lielas saknes ir jāapzāģē, pirms sākat gāzt koku. Vispirms veidojiet līmenisku zāģējumu balsta saknē, pēc tam statenisku. To, kas nozāģēts, aizvāciet no darba vietas. Kad balsta saknes ir novāktas, ķerieties pie koka gāšanas.

Balķa sagarumošana

Skatīt 279. lappusi

Sagarumošana ir balķa sazāģēšana noteiktos garumos. Ir svarīgi pārliecināties, ka stāvat uz stingras pamatnes un jūsu svars ir vienmērīgi sadalīts uz abām kājām. Ja iespējams, balķi vajadzētu pacelt un atbalstīt, izmantojot zarus, balķus vai ķīļus. Ievērojiet vienkāršos norādījumus vieglai zāģēšanai. Ja balķis ir atbalstīts visā tā garumā, to jāzāģē no augšpusē (sagarumošana no augšas).

Ja balķis ir atbalstīts vienā galā, veiciet 1/3 dziļu iezāģējumu pa diametru no apakšpusē (sagarumošana no apakšas). Tad pabeidziet zāģēšanu, veicot iezāģējumu no augšas pretī pirmajam griezumam.

Ja balķis ir atbalstīts abos galos, veiciet 1/3 dziļu iezāģējumu pa diametru no augšpusē (sagarumošana no augšas). Tad pabeidziet zāģēšanu, veicot 2/3 iezāģējumu

2. Izslēdziet ķēdes bremzi.
3. Atskrūvējiet vadotnes bloķējošo pogu un noņemiet ķēdes rata pārsegu.
4. Izņemiet sliedi un zāģa ķēdi no ierīces.
5. Notīriet ķēdes rata apakšu.
6. Lai nomaiņītu vadotni pret jaunu, atskrūvējiet ķēdes spriegotāja skrūvi. Uzstādiēt ķēdes spriegojuma mehānismu uz jaunās sliedes un pievelciet uzgriezni.
7. Piestipriniet vadotni un ķēdes spriegotāju ķēdes zāģim. Nolaidiet vadotni tā, lai skrūve izietu cauri atverei stienī un ķēdes spriegotājā.
8. Zāģa ķēdei jābūt novietotai ķēdes rotācijas virzienā. Ja tie ir vērsti pretējā virzienā, tad apvēršiet ķēdi.
9. Aplieciet cilpu ap ķēdes ratu. Ievietojiet ķēdes piedziņas izciļņus sliedes rievā. Ja nepieciešams, pagrieziet ķēdes spriegotāju, lai nedaudz nospriegotu ķēdi, kas to palīdzēs noturēt vietā.
10. Uzlieciet zobrata vāku atpakaļ vietā.
11. Noregulējiet ķēdes nospriegojumu. Skatīt sadaļu "Ķēdes nospriegojuma regulēšana".

GAISA FILTRA TĪRĪŠANA

Skatīt 290. lappusi

1. Apturiet iekārtu. Pārlicinieties, ka ķēde ir bremzēšanas pozīcijā.
1. Atskrūvējiet bloķējošo pogu, kas atrodas uz gaisa filtra pārsega, un noņemiet to no ierīces.
2. Noņemiet gaisa filtru.
3. Noņemiet uz gaisa filtra esošos putekļus un netīrumus ar birstes palīdzību. Ja nepieciešams, pārdaļiet gaisa filtru ar platu skrūvgriezi un noņemiet to no ierīces.
4. Nomainiet gaisa filtra pārsegu un pievelciet bloķējošo pogu.

DZIRKSTELŅU AIZTURĒTĀJA TĪRĪŠANA

Skatīt 291. lappusi

⚠ BRĪDINĀJUMS

Klusinātājs ir karsts ierīces lietošanas laikā un pēc tās. Lai nepieļautu nopietnus miesas bojājumus, sargiet savu ķermeni no klusinātāja darbības laikā un pēc tās.

1. Apturiet iekārtu. Pārlicinieties, ka ķēde ir bremzēšanas pozīcijā. Ļaujiet klusinātājam atdzist.
2. Atskrūvējiet skrūvi, kas notur klusinātāja pārsegu pie satvērēja, un pēc tam noņemiet abus uzgriežņus no klusinātāja pārsega.
3. Noņemiet klusinātāja pārsegu.
4. Izņemiet dzirkstelju aizturētāju. Izfīriēt dzirkstelju aizturētāju ar mazu drāšu birsti.
5. Uzlieciet klusinātāja pārsegu. Lai uzstādītu klusinātāja pārsegu, vieciēt šīs darbības pretējā secībā.

⚠ BRĪDINĀJUMS

Satvērējs ir ierīces aizsarglīdzeklis. Pēc klusinātāja pārsega uzlikšanas nostipriniet to ar pareizo skrūvi. Šo norādījumu neievērošana var izraisīt nopietnus miesas bojājumus vai nāvi.

ĶĒDES BREMZES PĀRBAUDE UN TĪRĪŠANA

Skatīt 294. lappusi

- Vienmēr uzturiet ķēdes bremzes mehānismu tīru, viegli noslaukot netīrumus no mehānisma.
- Pēc tīrīšanas vienmēr pārbaudiet ķēdes bremzes veiktspēju.
- Plašāki informācijai skatiet nodaļu "Lietošana - ķēdes bremzes pārbaude un lietošana" šajā rokasgrāmatā.

DZINĒJA ĀTRUMS UN KARBURATORA REGULĒŠANA

⚠ BRĪDINĀJUMS

Nepareiza karburatora noregulēšana var izraisīt ievainojumu, letālu nelaimes gadījumu un ierīces bojājumu risku. Lai veiktu karburatora regulēšanu, nogādājiet to pilnvarotā servisa centrā.

APKOPES GRAFIKS

Ikdienas pārbaude	
Degvielas maisījums	Pirms katras lietošanas
Sliedes eļļošanu	Pirms katras lietošanas
Ķēdes spriegojumu	Bieži un pirms katras lietošanas reizes
Sajūga iedarbināšana (nekāda ķēžu kustība tukšgaitas ātrumā)	Pirms katras lietošanas
Ķēdes asumu	Pirms katras lietošanas reizes, vizuāla pārbaude
Vai nav bojājumu	Pirms katras lietošanas
Vai nav vaļīgi stiprinājumi	Pirms katras lietošanas
Vai nav vaļīgas detaļas	Pirms katras lietošanas
Ķēdes bremzes funkcija	Pirms katras lietošanas
Degvielas noplūdēm	Pirms katras lietošanas

APSKATIET UN NOTĪRIET

Sliede	Pirms katras lietošanas
Visu zāģi	Pēc katras lietošanas
Gaisa filtrs	Ik pēc 5 stundām*
Ķēdes bremze	Ik pēc 5 stundām*
Gaisa filtra nomaīņa	Reizi gadā

Gaisa filtra nomaiņa	Reizi gadā
----------------------	------------

*Darba stundas

OBJEKTĪVIE RISKI

Pat ka prece ir lietotā kā noteikts, nav iespējams pilnībā novērst noteiktus riska faktoros. Lietošanas laikā var rasties šādas bīstamas situācijas, un lietotājam ir jāpievērš pastiprināta uzmanība, lai tās novērstu:

- Vibrācijas radīts ievainojums. Vienmēr izmantojiet pareizos rīkus tiem paredzētajam darba, izmantojiet norādītos rokturus un ierobežojiet laiku, cik ilgi izmantojat ierīci.
- Saskarsme ar troksni var radīt dzirdes traucējumus. Valkājiet ausu aizsargu un ierobežojiet saskarsmi.
- Saskaņā ar atklātiem ķēdes zāģa zobiem (iegriezuma risks).
- Vadošās slīdes neparedzēta, aprauta kustība vai atsitiens (iegriezuma risks).
- No zāģa ķēdes izmestas daļas (sagriešanās/saduršanās bīstamība).
- No apstrādājamā materiāla izmestas daļas (koka skaidas, šķembas).
- Zāģēšanas putekļu un daļiņu vai benzīnmotora emisiju ieelpošana.
- Ādas saskare ar benzīnu/eļļu.

RISKA SAMAZINĀŠANA

Ir ticis ziņots, ka vibrācijas no rokas instrumentiem atsevišķos cilvēkos var veicināt kaiti, ko sauc par Reino sindromu. Simptomi var ietvert pirkstu tīnkšķēšanu, nejutīgumu un nobālēšanu, parasti aukstā laikā. Tiek uzskatīts, ka tradicionālie faktori, aukstums un mitrums, uzturs, smēķēšana un darba prakse sekmē šo simptomu attīstību. Operators var veikt pasākumus, lai iespējami samazinātu vibrācijas efektu:

- Aukstā laikā ķermenim jābūt siltam. Kad darbināt precī valkājiet cimdus, lai rokas un plaukstu locītavas būtu siltas. Ir pētījumi, ka auksts laiks ir galvenais faktors, kas veicina Reino sindromu.
- Ik pēc laika apturiet darbu un veiciet vingrinājumus, kas uzlabo asins cirkulāciju.
- Strādājot jābūt biežiem pārtraukumiem. Ierobežojiet iedarbības ilgumu dienā.
- Aizsargcimdi, kas ir pieejami pie profesionāliem ķēdes zāģu mazumtirgotājiem, ir īpaši izstrādāti lietošanai ar ķēdes zāģiem un nodrošina aizsardzību un labu satvērienu. Arī cimdi samazina rokturu vibrāciju.
- Šiem cimdiem jāatbilst standartam EN381-7 un jābūt marķētiem ar CE zīmi.

Ja jūs izjūtat kādu no šiem simptomiem, nekavējoties apturiet ierīces lietošanu un sazinieties ar ārstu par šiem simptomiem.

▲ BRĪDINĀJUMS

Ilgstoša preces lietošana var radīt ievainojumus vai pasliktināt jau esošos. Ilgstoši lietojot jebkuru instrumentu, pārliecinieties, ka tiek veikti regulāri pārtraukumi.

PAZĪSTIET SAVU IERĪCI

Skatīt 271. lappusi

DAĻAS

1. Zāģēšanas ķēde
2. Ķēdes vadītāka
3. Priekšējais roksargs jeb ķēdes bremze
4. Priekšējais rokturis
5. Gaisa filtra vāciņš
6. Palaidis rokturis
7. Aizmugurējais rokturis
8. Atsitēja dzelkšņi
9. Klusinātāja pārsegs
10. Degvielas tvertnes vāciņš
11. Eļļas tvertnes vāciņš
12. Aizdedzes slēdzis
13. Slēdža atbloķēšanas poga
14. Slēdzis
15. Sākmuzpildes pūslis
16. Startera svira
17. Kombinēta uzgriežņu atslēga
18. Zobrata vāks
19. Ķēdes tvērējs
20. Ķēdes nosprigojuma regulēšanas gredzens
21. Vadotnes bloķējošā poga
22. Slīdes vāks

DROŠĪBAS IERĪCES

ĶĒDE AR MAZU PRETRIECIENA TIEKSMI

Zāģa ķēde ar zemu atsitienu palīdz samazināt atsitienu iespējamību.

Pie katra asmenīša ir dziļuma ierobežotājs, un tas palīdz samazināt prettriecienu spēku, ja neļauj pārāk dziļi iegrimt asmenīšiem, kad tie atrodas vietā, kur izraisās prettrieciens. Lietojiet tikai ražotāja ieteiktās rezerves sliežu un ķēžu kombinācijas.

Esiet divtik modri, kad strādājat ar svaigi uzasinātu ķēdi, jo asināšanas dēļ samazinās ķēdes spēja mazināt prettriecienu. Savas drošības dēļ nomainiet zāģa ķēdes, ja pasliktinās zāģēšanas sniegums.

ATSITĒJA DZELKŠŅI

Integrētie atsitēja dzelkšņi var tikt izmantoti kā rotācijas atbalsta punkts veicot zāģēšanu. Tas palīdz zāģēšanas laikā saglabāt ķēdes zāģa stabilitāti. Veicot zāģēšanu, pagrūdiet mašīnu uz priekšu līdz mizas buferis ir iedūries koka malā, tad, pavisot aizmugurējo rokturi uz augšu vai leju griešanas līnijas virzienā, var samazināt zāģēšanas fizisko slodzi.

ĶĒDES VADĪKĻA

Parasti vadotnēm ar maza rādīša uzgājiem ir mazāks atsitienu risks. Lietojiet tikai ražotāja ieteiktās rezerves

EN
FR
DE
ES
IT
NL
PT
DA
SV
FI
NO
RU
PL
CS
HU
RO
LV
LT
ET
HR
SL
SK
BG

sliēžu un ķēžu kombinācijas. Neieteiktu vadotņu lietošana palielina risku zaudēt kontroli zāģēšanas laikā. Regulāri pārbaudiet ķēdes nosprīgojumu. Griezot mazākus zarus (sākus par sliedes garumu), ja nosprīgojums ir nepareizs, ķēdei pastāv lielāka iespējama nokrist.

ĶĒDES BREMZE

Ķēdes bremze ir paredzēta tam, lai varētu ātri apturēt ķēdes kustību. Ķēdei ir uzreiz jāapstājas, kad bremzes svira jeb roksargs tiek nospiests uz priekšu. Ķēdes bremze nenovērš prettriecienu. Tas tikai samazina ievainojumu gūšanas risku, ja atsitiena laikā sliede saskaras ar operatora ķermeni. Pirms katras lietošanas reizes jāpārbauda, vai ķēdes bremze pareizi darbojas gan darbības, gan bremzēšanas pozīcijā.

ĶĒDES TVĒRĒJS

Ķēdes uztvērējs neļauj ķēdei lidot atpakaļ pret operatoru, ja tā kļūst vaļīga vai salūzt.

UZ PRECES ESOŠIE SIMBOLI



Drošības brīdinājums



Pirms preces darbināšanas izlasiet un izprotiet visus norādījumus, ievērojiet visus brīdinājumus un drošības norādījumus.



Izmantojiet acu, ausu un galvas aizsargu.



Kad izmantojat šo izstrādājumu, lietojiet neslīdošus aizsargapavus.



Valkājiet neslīdošus darba cimdus.



Uzmanieties no ķēdes zāģa atsitiena un sargieties no stieņa uzgaļa.



Strādājot motorzāģi turiet ar abām rokām.



Motorzāģi darba laikā nedrīkst turēt tikai ar vienu roku.



Darbarīks atbilst visām normām ES valstī, kurā tas ir iegādāts.



Izmantojiet automašīnām paredzētu bezsvina benzīnu ar 91 ([R+M]/2) vai lielāku oktānskaitli.



Lietojiet 2 taktu eļļu gaisa dzesētiem dzinējiem.



Katru reizi pirms degvielas uzpildīšanas rūpīgi sajauciet degvielas maisījumu.



Katru reizi, lejot degvielu ierīcē, pievienojiet vadotnes un ķēdes eļļu.



Iestatiet ķēdes bremzi PALAIŠANAS pozīcijā.



Iestatiet ķēdes bremzi BREMZĒŠANAS pozīcijā.



Ieslēdziet aizdedzes slēdzi pozīcijā IESLĒGTS.



Septiņas reizes saspiediet sākumuzpildes pūsli.



Iestatiet droseles sviru pozīcijā "FULL" (pilna slodze).



Tā raujiet palaišanas rokturi, kamēr izdzirdat, ka dzinējs sāk darboties (bet ne vairāk kā piecas reizes).



Iestatiet droseles sviru pozīcijā "HALF" (puslode).



Pavelciet palaišanas rokturi līdz dzinējs sāk darboties.



Nospiediet slēdža atbrīvotāju un droseles slēdzi.



EurAsian atbilstības marķējums



Garantētais skaņas jaudas līmenis ir 112 dB.



Stieņu un ķēžu smērviela



Bezsvina benzīns un 2-taktu eļļa.






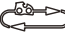


Ieslēgts stāvoklis






Pusdroseles pozīcija




Pozīcijā "FULL" (pilna slodze)


	Blokētājs
	Atbloķēt
	Pagrieziet, lai mainītu ķēdes nospiļojumu + = Pievilkt ķēdi - = Atbrīvot ķēdi
	Ķēdes kustības virziens (Marķēts zem zobrata vāka)
	Parasts režīms
	Pretaisalšanas režīms
T	Tukšgaitas ātruma regulēšana
H	Liela ātruma regulēšanas adata
L	Maza ātruma regulēšanas adata

SIMBOLI ŠAJĀ ROKASGRĀMATĀ

	Degvielu jaučiet tikai zem klajas debess, atstatu no liesmas un dzirkstelēm.
	Degvielas jaukšanas un degvielas tvertnes uzpildes laikā nesmēķējiet.
	Atsevišķi nopērkamās daļas vai piederumi
	Izlietotie elektroprodukti nedrīkst tikt izmesti kopā ar mājtsaimniecības atkritumiem. Lūdzu, nododiet tos attiecīgajās atk ār totas izmantošanas vietās.
	Piezīme
	Brīdinājums!

 Valkājiet aizsargbrilles un sejas aizsargu.

 Valkājiet ķermeņa augšdaļas aizsargu.

 Valkājiet kāju aizsargu.

 Apturiet iekārtu.

 Aizslēdziet filtra piekļuves pārsegu.

 Atslēdziet filtra piekļuves pārsegu.

Šādi signālvārdi un nozīmes ir paredzētas, lai izskaidrotu ar precī saistītā riska līmeņus:

BĪSTAMI

Norāda draudošo bīstamo situāciju, kas, ja no tās neizvairās, var novest pie nāves vai nopietnas traumas.

BRĪDINĀJUMS

Norāda potenciālo bīstamo situāciju, kas, ja no tās neizvairās, var novest pie nāves vai nopietnas traumas.

UZMANĪBU

Norāda potenciālo bīstamo situāciju, kas, ja no tās neizvairās, var novest pie nelielas vai vidējas traumas.

UZMANĪBU

Bez drošības brīdinājuma apzīmējuma

Norāda uz situāciju, kas var radīt īpašuma bojājumus.

EN
FR
DE
ES
IT
NL
PT
DA
SV
FI
NO
RU
PL
CS
HU
RO
LV
LT
ET
HR
SL
SK
BG

Projektuojant Benzininis grandininis pjūklas, didžiausias prioritetas suteiktas saugai, eksploatacinėms savybėms ir patikimumui.

NAUDOJIMO PASKIRTIS

Prietaisai skirtas naudoti lauke, gerai vėdinamoje vietoje. Saugos sumetimais, gaminyje turi būti tinkamai valdomas visada dirbant abiem rankomis.

Grandininis pjūklas yra skirtas pjauti tokio skersmens šakas, rąstus ir tašus, kokį nustato kreipiamosios juostos pjovimo ilgis. Jis skirtas pjauti tik medieną. Grandininis pjūklas naudojamas tik buities darbams, juo pjaunant tinkamai apmokytiems suaugusiems asmenims, žinantiems, kokie pavojai gali ištikti ir kokių prevencijos priemonių / veiksmų reikia imtis.

Nenaudokite grandininio pjūklo jokiai kitai, aukščiau nenurodytai paskirčiai. Grandininis pjūklas nėra skirtas naudoti atliekant profesionalius medžių kirtimo darbus. Grandininio pjūklo negali naudoti vaikai ar asmenys, nedėvintys atitinkamų asmeninės apsaugos priemonių ir aprangos.

⚠️ ĮSPĖJIMAS

Būtina laikytis saugos reikalavimų naudojantis šiuo produktu. Savo bei aplinkinių saugumui turite perskaityti ir gerai suprasti šias instrukcijas, tik tuomet naudoti krūmapjovę. Jums reikėtų dalyvauti profesionaliai organizuotuose saugos kursuose, kuriuose mokoma kaip saugiai naudotis grandininiais pjūkiais bei juos prižiūrėti, aiškinama, kokios yra prevencinės bei pirmosios pagalbos priemonės. Išsaugokite šią instrukciją ateičiai.

⚠️ ĮSPĖJIMAS

Grandininiai pjūkiai yra potencialiai pavojingi įrankiai. Nelaimingi atsitikimai, kurie įvyksta naudojant grandininis pjūklus, dažnai baigiasi galūnių netekimo ar mirties atvejais. Pavojų kelia ne tik patys grandininiai pjūkiai. Žūti galima nuo nukritusios šakos, virstančio medžio ar nusiritusio rąsto. Papildomą pavojų kelia ligoti ar supuvę medžiai. Būtinai įvertinti savo galimybes saugiai atlikti užduotį. Kilus abejonėi, palikite šiuos darbus atlikti profesionaliam pažeistų medžių kirtėjui.

BENDRIEJI SAUGOS ĮSPĖJIMAI

- Kai kuriuose regionuose taisyklės riboja įrenginio naudojimą. Kreipkitės patarimo į vietos įstaigą.
- Niekada neleiskite naudotis šiuo gaminiu vaikams ar asmenims, nesusipažinusiems su šiomis instrukcijomis. Vietos įstatymai gali apriboti įrengimo operatoriaus amžių.
- Prieš kiekvieną naudojimą patikrinkite, ar tinkamai veikia visi valdikliai ir saugos įtaisai. Nenaudokite krūmapjovės, jeigu išjungimo jungiklio nepavyksta sustabdyti variklio.
- Niekada neužveskite variklio ir neleiskite varikliui dirbti uždaroje ar prastai vėdinamoje patalpoje, nes kvėpavimas išmetimo dūmais gali būti mirtingas.

- Kiekvieną kartą prieš naudodami gaminį sutvarkykite darbo vietą, netvarkingoje darbo vietoje įvyksta nelaimingi atsitikimai.
- Naudodami gaminį dėvėkite visą akių ir klausos apsaugos įrangą, mūvėkite tvirtas darbo pirštines, avėkite darbo batus neslidžiais padais ir dėvėkite galvos apsaugą. Dėvėkite veido kaukę, jei tektų dirbti ten, kur išsiskiria dulksės.
- Nedėvėkite dukšlių drabužių, trumpų kelnų ar papuošalų.
- Ilgus plaukus reikia susėti virš pečių lygio, kad neįsispainiotų į judančias dalis.
- Saugokitės išsviestų, skrendančių ar krintančių objektų. Įsitinkinkite, kad 15 metrų atstumu nuo darbo zonos nėra pašalinii asmenų (ypač vaikų ir gyvūnų).
- Jokių būdu nenaudokite gaminio sprogioje ar degioje aplinkoje.
- Naudodami gaminį, laikykite jį tvirtai suėmę už abiejų rankenų.
- Dirbdami su prietaisu būkite budrūs, stebėkite, ką darote bei vadovaukitės sveika nuovoka. Nesinaudokite šiuo prietaisu, kai esate pavargę, sergate, ar esate pavartoję alkoholio, narkotikų ar vaistų. Neatidžiai elgdamiesi su šiuo prietaisu galite sunkiai susižeisti.
- Dirbkite gerai apšviestoje aplinkoje. Kad pastebėtum galimus pavojus, prietaisu dirbančiam asmeniui turi būti sudarytos gero matomumo sąlygos.
- Klausos apsaugos priemonių naudojimas sumažina įspėjamųjų garsų (ryksmų arba pavojaus signalų) girdėjimo galimybę. Operatorius turi atkreipti ypatingą dėmesį, kas vyksta darbo vietoje.
- Netoliese naudojant panašius prietaisus padidėja pavojus pakenkti klausą ir galimybė kitiems asmenims patekti į darbo zoną.
- Visada tvirtai stovėkite ir išlaikykite pusiausvyrą. Nepersitempkite. Per plačiai užsimojus, galima netekti pusiausvyros arba prisiliesti prie įkaitusių paviršių, be to, padidėja atatrunkos pavojus.
- Stovėkite toliau nuo visų judančių įrankio detalių.
- Nelieskite vietų šalia duslintuvo ar prietaiso variklio, nes šios detalės prietaiso naudojimo metu įkaista.
- Prieš kiekvieną naudojimą apžiūrėkite krūmapjovę. Patikrinkite, ar tinkamai veikia visi valdymo įtaisai, įskaitant grandinės stabdį. Patikrinkite, ar nėra atspalaidavusių tvirtinamųjų elementų ir ar rankenos tinkamai ir saugiai pritvirtintos. Prieš naudodami prietaisą pakeiskite visas pažeistas dalis.
- Niekada nemodifikuokite prietaiso ir nemontuokite dalių bei priedų, kurias naudoti nepataria gamintojas.

⚠️ ĮSPĖJIMAS

Numetus krūmapjovę, jai stipriai susitrenkus ar pradėjus neįprastai vibruoti, ją reikia nedelsiant sustabdyti ir patikrinti, ar nepakenkta arba nustatyti vibravimo priežastį. Pakenktos dalys turi būti tinkamai sutaisytos arba pakeistos įgaliotame techninio aptarnavimo centre.

- Maišydami degalus ar pildant degalų baką, nerūkyti ir išlaikyti 10 m atstumą nuo uždegimo šaltinio.

- Maišykite ir saugokite degalus kanistre, skirtame degalams laikyti.
- Maišykite degalus gryname ore, toli nuo bet kokios kibirkšties ar liepsnos. Nušluostykite išsiliejusius degalus. Prieš užvesdami variklį, pasitraukite 10 m nuo tos vietos, kur į įrangą pylėte degalus.
- Sustabdykite variklį ir leiskite jam atvėsti prieš papildydami degalų, laikydami ar gabendami prietaisą.
- Pripylus kuro arba sumaišius kurą, reikia nepamiršti gerai uždaryti kuro bako / konteinerio dangtelį.

GRANDININIO PŪKLO SAUGOS ĮSPĖJIMAI

- Kai gaminys nenaudojamas ar yra gabenamas, būtina uždėkite kreipiamąjį strypą apdangalą. Tai padės sumažinti netyčinio sąlyčio su aštriomis geležtėmis, įtaisytomis ant grandinės, pavojų. Gaminį reikia nešti paėmus už viršutinės rankenos, o kreipiamasis strypas turi būti nusuktas nuo nešančio asmens kūno.
- Prie darbo nauju grandininio pūkle reikia pratintis atliekant nesudėtingus pjūvius ant tvirtai atremto medienos ruošinio. Tokį bandomąjį pjūvimą taip pat reikia atlikti prieš pradėdant dirbti ilgesnį laiką nenaudojus pūkle.
- Pirmą kartą naudojant gaminį, rąstus reikia pjauti pasidėjus ant malkų pjūvimo „ožio“ ar atramos.
- Patikrinkite, ar visi apsauginiai įtaisai, rankenos ir smagizatorius tinkamai įtaisyti ir geros būklės.
- Asmenys, kurie naudojami šiuo gaminiu, turi būti geros sveikatos būklės. Gaminys yra sunkus, todėl asmuo, kuris juo naudojasi, turi būti fiziškai stiprus. Darbuotojas turi būti budrus, pasižymėti geru regėjimu, jaudrus, gebėti išlaikyti pusiausvyrą ir gerulių rankų. Jeigu yra abejonių, gaminio nereikia naudoti.
- Naudodami gaminį stovėkite tik ant stabilių paviršių. Tai apima, tačiau neapsiribojant, kopėčias, pastolius ir medžius. Gaminį reikia nuolatos laikyti abiem rankomis suėmus už rankenų.
- Nepradėkite naudoti grandininio pūkle, kol darbo plotas neparuoštas, nesate tvirtai atsistoję ir nenumatė, kaip atsitrauksite nuo medžio kritimo trajektorijos.
- Būkite labai atsargūs, kai jūs pjaunate mažo dydžio rąstus ir šakas, kadangi ploni daiktai gali užsikabinti už grandinės ir būti išmesti jūsų kryptimi arba išvesti jus iš pusiausvyros.
- Kai jūs pjaunate įtemptą šaką, būkite pasiruošę greitai pasitraukti, kad negautumėte smūgio, sumažėjus įtempimui medienos pluoštuose.
- Būkite atsargūs su išmetamosiomis dujomis, alyvos garais ir pjūvenomis. Jei reikia, dėvėkite veido kaukę ar respiratorių.
- Nepjunkite vijoklinių ar šliaužiančių augalų ir (arba) nedidelio atžalyno (plonesnių nei 75 mm skersmens stiebų bei kamienų).
- Pjudami grandininio pūkle, būtina laikyti jį suėmę abiem plaštakomis. Tvirtai laikykite grandininį pūklą, jūsų pirštams apimant rankenas. Dešinioji plaštaka turi būti uždėta ant galinės rankenos, o kairioji – ant priekinės.
- Prieš paleisdami įrankį, patikrinkite, ar pūkle grandinė

nesiliečia su jokių objektu. Gaminį paleidžiant, grandinės stabdys turi būti jungtas (pilnai pastumtas į priekį).

- Gaminio negalima modifikuoti ir naudoti su įtaisais ar prietaisais, kurių nerekomenduoja gaminio gamintojas.
- Netoli darbuotojo asmens būtina turi būti laikoma pirmosios pagalbos vaistinė su didelių žaizdų tvarstymo priemonėmis bei dėmesį pritraukiančios priemonės (pvz., švilpukas). Didesnė pirmosios pagalbos vaistinė, kurioje daugiau priemonių, taip pat turi būti netoliese.
- Jeigu darbo vietoje nėra krintančių objektų pavojaus, darbuotojai gali kilti pagunda nusiimti šalną, reikia nepamiršti, kad šalmas, ypač su antveidžiu iš tinklelio, gali padėti sumažinti galimybę susižeisti veidą ir galvą įvykus atitrūkai.
- Netinkamai įtempta grandinė gali nušokti nuo kreipiamosios juostos ir sukelti sunkų ar net mirtiną sužeidimą. Grandinės ilgis priklauso nuo grandinės temperatūros ir dėvėjimosi. Reguliariai tikrinkite grandinės įtempimą.
- Rankenas reikia visada sausai nuvalyti, kad jos nebūtų suteptos alyva ir riebalais. Tepaluotos ir alyva išteptos rankenos slidžios, todėl galima nesuvaldyti gaminio.
- Kad susižeidimo prisilietus prie judamųjų dalių pavojus būtų kuo mažesnis, prieš liečiantis prie gaminio, būtina sustabdyti variklį, jungti grandinės stabdį, ištraukti uždegimo žvakės laidą ir patikrinti, ar nebėra judančių dalių.
 - valant ar šalinant užsikimšimą
 - gaminio palikimas be priežiūros
 - Montuojant ar nuimant įtaisus
 - krūmapjovės patikra, priežiūra ar naudojimas
- Darbo zonos paviršius priklauso tiek pat nuo atliktino darbo, kaip ir nuo medžio aukščio ar apdorotino gabalo. Pavyzdžiui, norint nuleisti medį, darbo plotas turi būti didesnis nei atliekant kitus pjūvius, t. y. pjaunant medžius rąstams ar pan. Darbuotojas turi žinoti apie viską, kas yra darbo plote ir valdyti visą padėtį.
- Nepjunkite stovėdami vienoje linijoje su kreipiamąja juosta ir grandine. Jeigu įvyktų atitrūkai, stovėdami ne vienoje linijoje apsaugotumėte nuo grandinės smūgio į galvą ar kūną.
- Pjudami nestumdykite gaminio pirmyn-atgal: visą darbą turi atlikti grandinė. Grandinė turi būti aštri ir jos negalima bandyti stumti per pjūvį.
- Nespauskite grandininio pūkle pjūvimo pabaigoje. Būkite pasirėngę perimti pūkle svorį, kai jis pjaunant nustoja liestis į medieną. Priešingu atveju, galite sunkiai susižeisti.
- Nestabdykite pūkle per pjūvimo operacijos vidurį. Pūklą turi veikti, kol yra visiškai ištraukiamas iš pjūvos.

Asmeninės apsaugos priemonės

Profesionalams skirtos geros kokybės asmeninės apsaugos priemonės padės sumažinti darbuotojo sužeidimo riziką. Dirbant grandininio pūkle, reikia naudoti šias apsaugos priemones:

Apsauginį šalną

EN
FR
DE
ES
IT
NL
PT
DA
SV
FI
NO
RU
PL
CS
HU
RO
LV
LT
ET
HR
SL
SK
BG

- turi atitikti EN 397 standartą arba būti paženkintas „CE“

Klausos apsauga

- turi atitikti EN 352-1 standartą arba būti paženkintas „CE“

Akių ir veido apsauga

- turi būti paženkinta „CE“ ir atitikti EN 166 standartą (apsauginiai akiniai) arba EN 1731 standartą (antveidžiai iš tinklelio)

Pirštinės

- turi atitikti EN 397 standartą arba būti paženkintas „CE“

Kojų apsaugą (blauzdų)

- turi atitikti EN381-5 standartą, būti paženkinta „CE“ ir apsaugoti koją iš visų pusių.

Darbiui grandininio pjūklų skirtus apsauginius batus

- turi atitikti EN ISO 20345:2004 standartą ir būti pažymėti nuo grandininio pjūklų apsaugančio skydo simboliu, rodančiu atitikimą EN 381-3 standartui. (Jeigu žemės paviršius lygus ir nėra pavojaus suklikti ar užkliūti už atžalyno, nenuolatiniai darbuotojai gali mėvėti apsauginiais batais su plieno nosimi ir apsauginėmis blauzdinėmis, atitinkančiomis EN 381-9 standartą)

Darbiui grandininio pjūklų skirtas striukes viršutinės kūno dalies apsaugai

- turi atitikti EN 381-11 standartą arba būti paženkintas „CE“

SURINKIMAS

⚠️ ĮSPĖJIMAS

Nenaudokite prietaiso, jei trūksta detalių ar jos yra apgadintos tol, kol jos nebus pakeistos. Nepaisydami šių įspėjimų, galite sunkiai susižeisti.

PJŪKLO GRANDINĖS IR KREIPIAMOSIOS JUOSTOS MONTAVIMAS

Žr. 273 psl., 5 - 8 pav.

1. Sustabdykite prietaisą. Mūvėkite apsauginėmis pirštinėmis.
2. Atleiskite grandinės stabdį.
3. Nusukite kreipiamojo strypo suspaudimo galvelę ir nuimkite žvaigždutės dangtį.
4. Kreipiamąjį strypą ir grandinės įtempimo sistemą reikia pritvirtinti prie grandininio pjūklų. Kreipiamąjį strypą reikia nuleisti taip, kad varžtas pralystų per strypo ir grandinės įtempimo sistemos angą.
5. Pjūklų grandinė turi būti išore pasukta grandinės sukimosi kryptimi. Jei jie orientuoti priešinga kryptimi, tai apverskite jūsų padarytą kilpą.
6. Užmaukite kilpą ant pavaros žvaigždutės. Įdėkite pavaros lankstą į įlaidą, kaip parodyta. Jei reikia, sukite grandinės įtempimo sistemą, kad įtemptumėte grandinę, dėl ko ji išliks vietoje.
7. Pakeiskite grandininio rato gabtą.
8. Sureguliuokite grandinės įtempimą. Vadovaukitės skyrelyje „Grandinės įtempimo reguliavimas“ pateiktais

nurodymais.

GRANDINĖS ĮTEMPIMO REGULIAVIMAS

Žr. 286 psl.

1. Šiek tiek suspausdami galvelę (ją sukant prieš laikrodžio rodyklę), atlaisvinkite kreipiamąjį strypą.
2. Norėdami padidinti grandinės įtempimą, pasukite grandinės įtempiklio reguliavimo žiedą pagal laikrodžio rodyklę ir dažnai tikrinkite grandinės įtempimą. Norėdami sumažinti grandinės įtempimą, pasukite grandinės įtempiklio reguliavimo žiedą prieš laikrodžio rodyklę ir dažnai tikrinkite grandinės įtempimą.
3. Grandinės įtempimas tinkamas, kai tarpas tarp grandinėje įtaisyto pjoviklio ir juostos yra 3–4 mm. Vidurinėje juostos apatinės pusės dalyje patraukite grandinę į apačią (atokiai nuo juostos) ir išmatuokite atstumą tarp juostos ir grandinės pjoviklių.
4. Suveržkite kreipiamojo strypo suspaudimo galvelę pasukdami ją pagal laikrodžio rodyklę.

PASTABA: Įprastai dirbant, grandinės temperatūra padidėja ir grandinė pailgėja. Reguliariai kontroliuokite grandinės įtempimą ir įtempkite ją iš naujo kiekvieną kartą, kai to reikia. Karštoje būklėje įtempta grandinė gali pasirodyti per įtempta, jai atvėsus. Įsitinkinkite, ar grandinės įtempimas yra tinkamai nustatytas pagal instrukcijos specifikacijas.

GAMINIO NAUDOJIMAS

DEGALAI IR BAKO PRIPILDYMAS

Visai saugus manipuliavimas degalais

⚠️ ĮSPĖJIMAS

Prieš pildydami baką kuru, visada išjunkite variklį. Niekuomet nepripilkite įrankio bako, kurio variklis veikia ar yra dar karštas. Prieš įjungdami variklį, pasitraukite bet 9 m atstumu nuo tos vietos, kur jūs pripildėte baką degalų. Nerūkyti! Šio įspėjimo nesilaikymas gali sukelti sunkių kūno sužalojimų.

⚠️ ĮSPĖJIMAS

Įsitinkinkite, kad įrankyje nėra degalų nutekėjimo. Jei kuras ištekėjęs, prieš naudodami šį produktą kurą išvalykite, kad nekiltų gaisras ar nenusidigintumėte.

- Su kuru visada elkitės atsargiai; jis yra labai degus.
- Į gaminį pilti kuro reikia lauke, atokiai nuo potencialių užsiliepsnojimo šaltinių, neįkvepiant kuro garų.
- Venkite, kad benzinas ar alyva patektų ant jūsų odos. Patekus, nedelsiant nuplaukite miltu ir gausiu kiekiu vandens.
- Ypač venkite bet kokio benzino ar alyvos patekimo į akis. Jei benzinas ar alyva pateko į jūsų akis, tai tuoj pat praplaukite jas švariu vandeniu. Jei jose lieka dirginimas, tai nedelsdami pasitarkite su gydytoju.



Degalų maišymas

- Jūsų prietaisas veikia su 2 taktų varikliu, kuriam reikia benzino ir sintetinės alyvos 2 taktų varikliams mišinio (santykis 2 proc.). Maišykite benzinaž be švino ir alyvą 2 taktų varikliams švariame inde, kuris oficialiai skirtas benziniui laikyti.
- Variklis veikia naudojant automobiliams skirtą benzinaž be švino, kurio oktaninis skaičius ne mažesnis nei 91 ((R+M)/2).
- Nenaudokite benzino/alyvos mišinių, paruoštų degalinėse; būtent mišinių, skirtų mopedomams, motoriniams dviračiams ir t.t.
- Naudokite kokybišką tepalo dvitaktiams varikliams mišinį, skirtą oru aušinamiems varikliams. Nenaudokite automobilinio tepalo ar dvitaktiams valčių varikliams skirto tepalo.
- Įmaišykite 2 % alyvos į benzinaž. t.y. santykiu 50-1.
- Prieš kiekvieną bako pripildymą gerai maišykite degalus.
- Maišykite degalus mažais kiekiais. Neruoškite daugiau nei vieno mėnesio naudojimosi ekvivalento. Patartina naudoti 2-į ciklą tepalą su stabilizatoriumi.

PASTABA: Tam atvejui, jei naudojant oksiduotą kuraž (kai kuro oksidantų daugiau, nei išvardintas aukščiau leidžiamas kiekis), atsiras kuro sistemos ar instrumento veikimo problemų, gamintojas garantijos nesuteikia.

Kuro bako pildymas

Žr. 273 psl.

- Išvalykite degalų baką aplink dangtelį bet kokiam degalų užteršimui išvengti.
- Lėtai atlaisvinkite kuro bako dangtelį.
- Atsargiai pilkite degalų mišinį į baką. Vengdami jo išsiliejimo.
- Prieš užsukdami dangtelį iš naujo, išvalykite tarpiklį ir įsitikinkite, kad jis yra geroje būklėje.
- Tuoj pat sugražinkite degalų bako dangtelį į vietą ir tvirtai užsukite jį. Nušluostykite išsiliejusius degalus.

PASTABA: Tai yra normalu variklis skleidžia dūmus metu ir po pirmojo naudojimo.

GRANDINĖS TEPIMO ALYVOS ĮPYLIMAS

Žr. 273 psl.

⚠ ĮSPĖJIMAS

Jokiu būdu nenaudokite įrankio, jei nėra įpilta grandinės tepalo. Jeigu pjūklų grandinė veikia nesutepta, kreipiamoji juosta ir pjūklas gali būti pakenkti. Todėl būtina dažnai ir kiekvieną kartą prieš pradėdant naudoti grandininį pjūklą, tikrinti alyvos lygį alyvos lygio matuoklyje.

1. Išvalykite paviršių apie alyvos bakelio dangtelį, kad neužterštumėte tepalo.
2. Nusukite ir nuimkite dangtelį nuo alyvos bakelio.
3. Įpilkite alyvos į bakelį ir stebėkite alyvos lygio matuoklį. Pasirūpinkite, kad pilant į bakelį alyvą, ji jį nepatektų jokių nesavarumų.
4. Vėl uždėkite ir užsukite alyvos bakelio dangtelį.

Nušluostykite ištiškusią alyvą.

5. Esant pilnam alyvos bakeliui, galima atlikti pjovimo darbus 20 – 40 minučių.

PASTABA: Gaminiui veikiant, iš tinkamai veikiančios grandinės ir strypo tepimo sistemos turi lašėti alyva. Norint patikrinti kaip veikia grandinė ir strypo tepimo sistema, reikia nukreipti grandinės galiuką į šviesų paviršių, pavyzdžiui, į laikraštį. Po kurio laiko ant šviesaus paviršiaus turi būti matoma ryški alyvos linija.

Rekomenduojama grandinės tepimo alyva

- Gamintojas rekomenduoja naudoti tik „Ryobi“ grandininį pjūklų tepimo alyvą. (Galima įsigyti įgaliojame techninio aptarnavimo centre)

GAMINIO PALEIDIMAS

Užvedimo būdas skiriasi pagal tai, ar variklis yra šaltas ar šiltas.

⚠ ĮSPĖJIMAS

Laikykitės iš kairės pjovimo juostos pusės. Niekuomet neperženkite grandininio pjūklų ar pjovimo grandinės; niekuomet nesilenkite prie grandinės trajektorijos.

- Padėkite gaminį ant lygaus žemės paviršiaus ir patikrinkite, ar netoliese nėra daiktų ar kliūčių, kuriuos gali kliudyti strypas ar grandinė.
- Tvirtai laikykite priekinę rankeną savo kairiaja ranka ir padėkite savo dešinę koją ant užpakalinės rankenos pagrindo.

PASTABA: Toliau aprašytoje užvedimo instrukcijoje, kai droselio svirtis traukiama iki pat galo į „START“ padėtį, droselis yra nustatytas užvedimui. Jei norite nustatyti droselį atgal į „RUN“ padėtį, nuspauskite ir vėl atleiskite droselio perjungiklį.

Šalto variklio užvedimas:

Žr. 272 - 273 psl.

1. Pasukite variklio užvedimo mygtuką į jungimo (ON) padėtį.
2. Atgal traukdami svirtį / rankenos apsaugą, patikrinkite, ar grandinės stabdis yra nustatytas „BRAKE“ padėtyje.
3. Panaudokite pasiurbimo pompytę 10 kartus.
4. Ištraukite užspringti svirtis visą kelią į START padėtį.
5. Kai temperatūra yra aukštesnė nei 10°C, traukite starterio rankeną, kol variklis bando paleisti, bet ne daugiau kaip 3 kartus. Kai temperatūra yra žemiau 10°C, traukite starterio rankeną, kol variklis bando paleisti, bet ne daugiau kaip 5 kartus.
6. Pusiau nuspauskite droselio svirtį. TRAUKITE rankinį starterį tol, kol variklis užsiveda.
7. Nuspauskite spragtko atleidimo mygtuką ir suspauskite droselio spragtką, tada atleiskite droselio spragtką, kad variklis vėl veiktų tuščiaja eiga.
8. Gaminys turi 15 - 30 sekundžių veikti tuščiaja eiga.
9. Prieš pagreitinant variklio eigą ar pjaunant medieną, reikia patikrinti, ar grandinės stabdis nustatytas į padėtį „veikti“: reikia patraukti variklio svirtį / rankų apsauginį įtaisą.

EN

FR

DE

ES

IT

NL

PT

DA

SV

FI

NO

RU

PL

CS

HU

RO

LV

LT

ET

HR

SL

SK

BG



⚠️ **ATSARGIAI**

Jei jūs neatleidžiate akceleratoriaus mygtuko varikliui sulėtinti, kai pjovimo grandinės stabdys yra įjungtas, jūs rizikuojate sugadinti variklį. Niekuomet nelaikykite akceleratoriaus mygtuko nuspausto, kai stabdys yra įjungtas.

Šilto variklio užvedimas:

Žr. 281 psl.

1. Pasukite variklio užvedimo mygtuką į įjungimo (ON) padėtį.
2. Atgal traukdami svirtį / rankenos apsaugą, patikrinkite, ar grandinės stabdis yra nustatytas „BRAKE“ padėtyje.
3. Paspauskite užvedimo lemputę 10 kartų.
4. Ištraukite droselinės sklendės svertą iki padėties „START“ („paleisti“), tada jį vėl pastumkite gražindami į padėtį „RUN“ („veikti“).
5. Traukite starterio rankeną, kol variklis pradės veikti, tačiau ne daugiau kaip 5 kartus. Nuspauskite spragtuką atleidimo mygtuką ir suspauskite droselio spragtuką, tada atleiskite droselio spragtuką, kad variklis vėl veiktų tuščiaja eiga. Jeigu variklio negalima paleisti po 5 patraukimų, reikia panaudoti šalto variklio paleidimo procedūrą.
6. Prieš pagreitinant variklio eigą ar pjaunant medieną, reikia patikrinti, ar grandinės stabdys nustatytas į padėtį „veikti“: reikia patraukti variklio svertą / rankų apsauginį įtaisą.

REŽIMŲ PERJUNGIMAS

Žr. 287 psl.

Gaminyje įdiegtas apsaugos nuo užšalimo režimas, neleidžiantis susidaryti ledui karbiuratoriuje gaminį naudojant $\leq 5^{\circ}\text{C}$ temperatūroje.

Dešiniojoje oro valymo įtaiso dangčio pusėje esančios ventilacijos angos padėtį galima pakeisti, kad į variklį patektų šilto oro ir karbiuratoriuje nesusidarytų ledas.

⚠️ **ĮSPĖJIMAS**

Esant $\leq 5^{\circ}\text{C}$ temperatūrai neperjungus gaminio iš įprasto į apsaugos nuo užšalimo režimą, variklis pradeda veikti mažesniu galingumu arba gali sugesti.

Jeigu nėra pavojaus, jog karbiuratoriuje susidarys ledas, gaminį būtina perjungti į įprastinį veikimo režimą. Esant normaliai temperatūrai neperjungus gaminio iš apsaugos nuo užšalimo į įprastą režimą, gali sugesti variklis.

VARIKLIO IŠJUNGIMAS

Atleiskite akceleratoriaus mygtuką ir leiskite varikliui sulėtėti. Kad išjungtumėte variklį, perjunkite jungiklį į „O“, išjungimo padėtį. Nedėkite savo grandininio pjūklo ant žemės, kol grandinė sukasi. Geresnei apsaugai įjunkite grandinės stabdį, kai jūs nenaudojate savo grandinio pjūklo.

Jei jungiklis neišjungia grandininio pjūklo, tai patraukite droselio svirtį, kol ji išeis iki galo (maksimaliai uždaryta droselio padėties) ir įjunkite grandinės stabdį varikliui sustabdyti. Jei jungiklis neleidžia išjungti grandininio pjūklo,

perjungus jį į išjungimo padėtį „O“, tai prieš naudojant savo grandininį pjūklą iš naujo, tegul jis bus pataisytas, kad būtų išvengta darbo pavojingomis sąlygomis ir jūsų sunkaus sužalojimo.

PASTABA: Baigus naudoti gaminį, būtina reikia sumažinti talpyklos slėgį atsukant ir vėl užsakant grandinės tepalų ir kuro bako dangtelius. Prieš padedami įrankį į saugojimo vietą, leiskite varikliui atvėsti.

GAMINIO LAIKYMAS

Žr. 273 psl.

Grandininį pjūklą laikykite dešiniąja plaštaka paėmę už galinės rankenos, o kairiąją – už priekinės. Abiem plaštakomis, visais pirštais tvirtai sumkite ir laikykite grandininio pjūklo rankenas. Priekinę rankeną būtinai reikia laikyti kairiąją plaštaka, nykščiu apkabinus rankenos apatinę dalį.

GRANDINĖS STABDŽIO PATIKRA IR VALDYMAS

1. Įjunkite grandinės stabdį sukdami kairiąją plaštaka apie priekinę rankeną. Grandinei greitai sukantis, plaštakos gūbrių pastumkite grandinės stabdžio svertą / plaštakos apsauginį įtaisą link juostos. Gaminį reikia nuolatos laikyti abiem rankomis suėmus už rankenų.
2. Sugriebdami už grandinės stabdžio sverto viršutinės dalies / plaštakos apsauginio įtaiso ir traukdami link priekinės rankenos, kol pasigirs spragtelėjimas, vėl nustatykite grandinės stabdį į veikimo padėtį.

⚠️ **ĮSPĖJIMAS**

Jei grandinės stabdis nesustabdo grandinės staigiai arba jei stabdis neužsifiksuoja veikimo pozicijoje, prieš naudodami prietaisą, nuneškite jį pataisyti į techninio aptarnavimo centrą.

⚠️ **ĮSPĖJIMAS**

Atleidus droselio spragtuką ir varikliui veikiant tuščiaja eiga grandinė neturi judėti. Jeigu ji ir toliau juda, gaminį naudojantis asmuo gali sunkiai susižeisti. Nenaudokite gaminio, atiduokite jį į įgaliotąjį techninio aptarnavimo centrą, kad sureguliuotų specialistai.

MOVOS PATIKRA

1. Atleiskite grandinės stabdį patraukdami grandinės stabdžio svertą / rankų apsaugos įtaisą iki priekinės rankenos, kol pasigirs spragtelėjimas.
2. Variklis turi kurį laiką veikti tuščiaja eiga. Įsitinkite, kad pjūklas grandinė nesisuka. Jei pjūklas grandinę sukasi važiuojant tuščiaja eiga, sankabos gali būti sugadintas. Neekspluatuokite įrenginio. Gražinkite jį į įgaliotąjį techninio aptarnavimo centrą, kad profesionaliai sureguliuotų.
3. Pusiau nuspauskite droselio spragtuką ir paleiskite gaminį veikti vidutiniu greičiu. Pjūklo grandinė turėtų sklandžiai sukis, jeigu mova yra geros darbinės būklės.

Atatranksos priežastys ir darbuotojo prevencija:

Jei pjovimo juosta paliečia kažkokį daiktą arba jei pjovimo grandinė yra suspaudžiama ir užblokuojama medienoje



pjovimo metu, tai gali atsirasti atšokimas.

Kai kuriais atvejais, pjūklų galiukai susilietus su kitais paviršiais, gali įvykti staigi atbulinė reakcija: atatrunkos jėga gali priversti kreipiamąją juostą pašokti aukštyn ir pasislinkti atgal link darbuotojo asmens.

Grandininio pjūklų kreipiamosios juostos viršaus suspaudimas gali kreiptuvą staiga nukreipti atgal į operatorių.

Bet kurio iš minėtų atvejų galite nesuvaldyti krūmapjovės ir susižeisti. Nesitikėkite vien tik apsaugos priemonių, integruotų į jūsų grandininį pjūklą. Taip pat jums reikia imtis kitų priemonių nelaimingų atsitikimų ar sužalojimų rizikai išvengti.

Atatrunka įvyksta dėl įrankio netinkamo naudojimo ir (arba) neteisingai atliekamų darbo procedūrų ar netinkamų sąlygų, ir jos galima išvengti ėmusis reikiamą atsargumo priemonių, kaip nurodyta toliau:

- **Abiem rankomis, visais pirštais tvirtai suimkite ir laikykite grandininio pjūklų rankenas ir atistokite į tokią padėtį, kad kūnas ir ranka atlaikytų atatrunkos jėgas.** Darbuotojas gali valdyti atatrunkos jėgas, jeigu imasi reikiamų atsargumo priemonių. Neleiskite pjūklui laisvai judėti.
- **Neužsimokite per plačiai ir nepjunkite virš pečių aukščio.** Tai padeda apsisaugoti nuo netyčinio sąlyčio su pjūklų galiuku ir geriau valdyti grandininį pjūklą kilus nenumatytoms situacijoms.
- **Juostas ir grandines keiskite tik gamintojo nurodytais analogais.** Naudojant netinkamus juostas ir grandines, grandinė gali sutrūkti ir (arba) gali išsivystyti atatrunkos jėga.
- **Vadovaukitės pjūklų grandinės gamintojo priežiūros nurodymais.** Sumažinus gylio matuoklio aukštį, gali padidėti atatrunka.

STŪMIMO JĖGA IR TRAUKIMO JĖGA

Žr. 279 psl.

Reakcijos jėga visuomet veikia priešinga kryptimi, nei pjovimo grandinės sukimosi kryptis. Tokiu būdu darbuotojas turi būti pasirengęs valdyti įrankio tendenciją atsiplešti nuo medienos (judesį į priekį) pjaunant ant apatinio juostos krašto ir spausiti atgal (link darbuotojo), pjaunant išilgai viršutinio krašto.

PJŪKLUI ĮSTRIGUS ĮPJOVOJE

Sustabdykite grandininį pjūklą ir pasirūpinkite, kad jis būtų nepavojingas. Nebandykite jėga traukti grandinės ir juostos iš įpjojos, nes dėl to gali nutrūkti grandinė, susiūbuoti atgal ir atsitrenkti į darbuotoją. Ši situacija paprastai susidaro, nes medis netinkamai atremtas ir reikia užbaigti pjūvį veikiant spaudimui, tuo būdu suspaudžiant ašmenis. Jeigu reguliuojant atramą neatsipalaiduoja strypas ir grandinė, kad atvertumėte pjūvį ir išlaisvintumėte gaminį, pakiškite medinius pleištus arba svertą. Jokių būdu nebandykite paleisti grandininio pjūklų, kai kreipiamoji juosta jau yra įpjoje ar įrangoje.

TINKAMŲ ELEMENTARIŲ MEDŽIO NULEIDIMO, ŠAKŲ GENĖJIMO IR SKERSINIO PJOVIMO BŪDŲ INSTRUKCIJOS

Supratimas apie medienoje veikiančias jėgas

Turint supratimą apie kryptinius slėgius ir įrašas medienoje, galima sumažinti spaudimu arba bent jau jų tikėtis pjaunant. Įtempis medienoje reiškia, jog plaušai yra draskomi ir pjaunant šiame plote, pjūklui skrodžiant medieną, įranta ar įpjoja bus linkusi atsiverti. Jeigu raštas atremtas ant malkų pjovimo ožio, o jo galas pakibęs neatremtas, dėl išsikišusio rašto svorio, kuris tempia plaušą, viršutiniame paviršiuje susidaro įtampa. Panašiai, rašto apatinė pusė bus suspausta ir plaušai stumiami kartu. Jeigu pjūvis daromas tame plote, įranta atliekant pjūvį bus linkusi užsidaryti. Tai suspaustų pjūklų ašmenis.

Medžio nuleidimas

Žr. 277 - 278 psl.

Kai medžių pjovimo malkoms ir nuleidimo darbus vienu metu atlieka du ar daugiau asmenų, medžio nuleidimo darbus reikia atskirti nuo pjovimo malkoms atstumu, kuris yra mažiausiai dukart didesnis už nuleidžiamo medžio aukštį. Medžių negalima nuleisti taip, kad jie keltų pavojų žmonėms, atsitrenktų į elektros perdavimo linijas ar keltų žalą turtui. Medžiu prisielietus prie elektros perdavimo linijos, apie tai būtina nedelsiant pranešti už šią liniją atsakingai įmonei.

Jei žemės sklypas yra nuožulnus, tai visuomet būkite žemės sklypo viršuje, kadangi yra rizika, kad medis po kirtimo nusiris ar nuslys nuo šlaito apačion.

Prieš pradėdamas pjovimo darbus, būtina numatyti ir išvalyti atsitraukimo takelį. Atsitraukimo takelis turi driektis atgal ir įstrižai numatomos medžio kritimo trajektorijos galinėje pusėje.

Prieš pradėdamas nuleidimą, reikia apžiūrėti, į kurią pusę medis natūraliai palinkęs, kaip išsidsėčiusios stambesnės šakos ir kokia kryptimi pučia vėjas, kad būtų galima įvertinti, į kurią pusę medis kris.

Nuo pjaunamo medžio pašalinkite nešvarumus, akmenis, atplyšusią žievę, vėnis, kabes ir vielą.

Nenuleidinėkite supuvusių ar vėjo, ugnies, žaibų ir pan. pažeistų medžių. Tai ypatingai pavojinga ir šiuos darbus turi atlikti profesionalūs pažeistų medžių kirtėjai.

- Pakirtimas

Žr. 277 - 278 psl.

Statmenai medžio kritimo trajektorijai atlikite 1/3 medžio skersmens dydžio įkirtimą. Pirmą atlikite apatinį horizontalų pakirtimą. Tai padės išvengti pjūklų grandinės ar kreipiamosios juostos suspaudimo atliekant antrą įkirtimą.

- Nuleidimo įpjoja

Žr. 277 - 278 psl.

Nuleidimo įpjoją atlikite mažiausiai 50 mm / 2 col. aukščiau nei horizontalus įkirtimas. Nuleidimo įpjoja turi būti lygiagreti horizontaliam įkirtimui. Nuleidimo įpjoją darykite tokią, kad liktų pakankamai medienos, kuri atliktų lanksto vaidmenį. Medienos lankstas neleidžia medžiui išlinkti ir nukristi netinkama kryptimi. Nepjunkite per lankstą.

Kai nuleidimas priartėja prie lanksto, medis turėtų

EN
FR
DE
ES
IT
NL
PT
DA
SV
FI
NO
RU
PL
CS
HU
RO
LV
LT
ET
HR
SL
SK
BG



pradėti kristi. Jeigu kyla įtarimas, kad nuleidžiant medis gali kristi nepageidaujama kryptimi arba susvyruoti atgal ir suvaržyti pjūklo grandinę, liaukitės pjove, kol prieš atliekant nuleidimo įplovą ir įkiškite medienos, plastiko ar aliuminio pleištus, kad atvertumėte įplovą ir nuleistumėte medį pageidaujama kritimo trajektorija.

Medžiui pradėjus kristi, ištraukite grandininį pjūklą iš įplovos, sustabdykite variklį, padėkite pjūklą ir atsitraukite numatytu takeliu. Saugokitės iš viršaus krintančių šakų ir būkite atsargūs, kad neužkliūtumėte ir išsilaikytumėte ant kojų.

Atramos šaknų pjovimas

Žr. 278 psl.

Atramos šaknis yra didelė šaknis, išeinanti iš medžio kamieno ir pasiekianti žemę. Prieš imdamiesi medžio kirtimo, nupjaukite dideles šaknis. Visų pirmiausia atlikite horizontalinę įplovą atramos šaknyje ir po to vertikalią įplovą. Pašalinkite taip nupjautą dalį iš darbo ploto. Pašalinę atramos šaknis, imkitės medžio kirtimo.

Rąsto pjovimas

Žr. 279 psl.

Rąsto pjovimas – tai jo sukopojimas atitinkamo ilgio gabalais. Svarbu, kad tvirtai stovėtumėte ir svoris būtų tolygiai pasiskirstęs ant abiejų kojų. Kai yra galimybė, rąstą reikėtų pakelti ir atremti šakomis, kitais rąstais ar ramsčiais. Vadovaukitės paprastais nesudėtingo pjovimo nurodymais. Kai rąstas atremtas visu ilgiu, jis pjaunamas nuo viršaus (pjovimas iš viršaus).

Kai rąstas atremtas viename gale, pjaukite 1/3 jo skersmens iš apatinės pusės (pjovimas iš apačios). Tada atlikite galutinį pjovimą, pjaudami iš viršaus, kad viršutinis pjūvis susidurtų su apatiniu pjūviu.

Kai rąstas atremtas abiejuose galuose, pjaukite 1/3 jo skersmens iš viršaus (pjovimas iš viršaus). Tada atlikite galutinį pjovimą, 2/3 skersmens pjaudami iš apačios, kad apatinis pjūvis susidurtų su pirmą įplovą.

Pjaudami medį rąstams šlaite, būtinai stovėkite įkairėje. Pjaunant „kiaurai“, tam, kad visiškai valdytumėte padėtį, atleiskite pjovimo spaudimą bebaigdami atlikti įplovą, tačiau tvirtai laikykite suėmę grandinį pjūklą už rankenų. Neleiskite grandinei susiliesti su žeme. Baigę pjovimą, palaukite, kol pjūklo grandinė visiškai sustos ir tik tada perkelkite grandininį pjūklą į pageidaujamą vietą. Pereinant nuo medžio prie medžio variklį būtina sustabdyti.

Medžio genėjimas

Žr. 280 psl.

Genėjimas – tai šakų nukopojimas nuo nuleisto medžio. Genėdami, stambesnes apatines šakas palikite nenukopotas, kad rąstas nesiremty tiesiai į žemę. Mažas šakeles nukopokite vienu pjūviu. Įtempio veikiamas šakeles reikia pjauti iš apačios į viršų, kad nesulinkytų grandininis pjūklas.

Išlenktų medžių pjovimas

Žr. 280 psl.

“Botagas” yra šaka, išrautas kelmas arba medelis, kurį sulenkė kitas medžio gabalas tokiu būdu, kad jis staiga išsitiesia, kai pjaunamas arba nuimamas medžio gabalas, kuris jį sulaiko.

206 | Lietuviškai

Išrautas nukirsto medžio kelmas kelia didelę riziką išsitiesti ir sugrįžti į vertikalią padėtį pjaunant, kad jis būtų atskirtas nuo kamieno. Dėmesio “botagams” - jie pavojingi. Nebandykite pjauti sulinkusių šakelių ar įtemptų strampų, jei nesate parengti ir kompetentingi tai daryti profesionaliai.

GABENIMAS IR LAIKYMAS

- Prieš gaminį padedant į sandėlį ar parengiant gabenti, reikia sustabdyti variklį, įjungti grandinės stabdį, nuo uždegimo žvakės atjungti laidą ir palikti gaminį atvėsti.
- Nuo įrankio nuvalykite visas pašalines medžiagas.
- Išpilkite visus bako likusius degalus į indą, oficialiai skirtą benziniui laikyti. Reikia nepamiršti tinkamai pakeisti ir užsukti kuro maišymo bako dangtelį.
- Tegul variklis sukasi, kol jis sustos. Tai leidžia pašalinti visus degalus, kurie galėtų išgaruoti ir palikti sakingas nuosėdas kontūre.
- Išpilkite visą pjovimo juostos ir grandinės alyvą į indą, oficialiai skirtą alyvai laikyti. Reikia nepamiršti tinkamai pakeisti ir užsukti grandinės tepalų bako dangtelį.
- Prieš padedant gaminį į sandėlį arba parengiant gabenimui, būtina uždėti kreipiamojo strypo apdangalą.
- Laikykite vėsioje, sausoje, gerai vėdinamoje ir vaikams nepasiekiamoje vietoje. Nelaikykite jo arti nuo tokių koroziją sukeliančių reagentų kaip cheminės sodininkystės medžiagos arba druskos, naudojamos prieš apledėjimą. Nelaikykite lauke.
- Nešant gaminį trumpą atstumą (iš vieno darbo ploto į kitą), būtina įjungti grandinės stabdį, kad grandinė nepajudėtų.
- Paruošiant gabenimui, gaminį reikia pritvirtinti, kad nejudėtų ir nenukristų, nes priešingu atveju jis gali sužaloti žmones arba sugesti patį.
- Niekada neneškite ir negabenkite prietaiso, kai jis veikia.

Remkitės nacionaliniais ir vietiniais įstatymais dėl degalų saugojimo ir manipuliavimo jais. Jūs galite panaudoti likusius degalus kitame dviejų taktų varikliu aprūpintame įrankyje.

PRIEŽIŪRA

Gaminys turi būti geros darbinės būklės.

⚠ ĮSPĖJIMAS

Keitimui naudokite tik originalias gamintojo atsargines dalis. Neoriginalios dalys gali būti sužeidimų ir įrenginio blogo veikimo priežastis, ir dėl to gali būti anuliuotas garantinis pažymėjimas.

⚠ ĮSPĖJIMAS

Aptarnavimą atlikti būtina itin atidžiai, todėl rekomenduojame, kad techninę apžiūrą vykdytų kvalifikuotas specialistas. Norint atlikti gaminio techninį aptarnavimą ar remontą, gaminį reikia nugabenti į artimiausią įgaliotąjį techninio aptarnavimo centrą. Sugedusias detales keiskite tik originaliomis detalėmis.

⚠️ ĮSPĖJIMAS

Prieš gaminį apžiūrint, valant ar atliekant techninio aptarnavimo darbus, reikia sustabdyti variklį, įjungti grandinės stabdį, nuo uždegimo žvakės atjungti laidą. Šių nurodymų nesilaikymas gali tapti sunkių sužalojimų ar didelių materialinių nuostolių priežastimi.

- Prietaisą galite reguliuoti ir remontuoti, kaip aprašyta šiame naudotojo vadove. Dėl kitų remonto darbų kreipkitės į įgaliotą techninio aptarnavimo centrą.
- Dėl netinkamos priežiūros gali sutrūkti grandinė ir netinkamai veikti kitos saugos funkcijos, taip padidinant sunkaus sužeidimo galimybę. Grandininis pjūklas turi būti profesionaliai prižiūrimas ir saugus.
- Saugiai pagalasti grandinę gali tik įgudęs specialistas, todėl gamintojas primygtinai rekomenduoja sudilusią ar atšpusią grandinę pakeisti nauja, kurią galima įsigyti iš „Ryobi“ techninės priežiūros bei aptarnavimo centro. Dalies numeris nurodytas šiame instrukcijų vadove pateiktoje gaminio specifikacijų lentelėje.
- Vadovaukitės tepimo bei grandinės įtempimo patikros ir reguliavimo nurodymais.
- Po kiekvieno naudojimo, išvalykite įrenginį sausu švelnaus audinio gabalėliu.
- Dažnai tikrinkite visas veržles, varžtus ir sraigtus, ar jie tvirtai laikosi ir ar gaminys yra saugios darbo būklės stovyje. Bet kurią apgadintą detalę leidžiama remontuoti arba keisti tik autorizuosime aptarnavimo centre.

KREIPIAMOSIOS JUOSTOS IR PJŪKLO GRANDINĖS KEITIMAS

Žr. 282 - 285 psl.

1. Sustabdykite prietaisą. Mūvėkite apsauginėmis pirštinėmis.
2. Atleiskite grandinės stabdį.
3. Nusukite krepiamojo strypo suspaudimo galvelę ir nuimkite žvaigždutės dangtelį.
4. Nuimkite nuo įrankio juostą ir pjūklo grandinę.
5. Išvalykite apatinę grandininio rato (žvaigždutės) pusę.
6. Norint pakeisti strypą, reikia atpalaiduoti grandinės įtempimo sistemos varžtą. Uždėkite grandinės įtempimo sistemą ant naujos juostos ir suveržkite veržlę.
7. Kreipiamąjį strypą ir grandinės įtempimo sistemą reikia pritvirtinti prie grandininio pjūklo. Kreipiamąjį strypą reikia nuleisti taip, kad varžtas pralystų per strypo ir grandinės įtempimo sistemos angą.
8. Pjūklo grandinė turi būti išore pasukta grandinės sukimosi kryptimi. Jei jie orientuoti priešinga kryptimi, tai apverskite jūsų padarytą kilpą.
9. Užmaukite kilpą ant pavaros žvaigždutės. Įdėkite pavaros lankstą į įlaidą, kaip parodyta. Jei reikia, sukite grandinės įtempimo sistemą, kad įtemptumėte grandinę, dėl ko ji išliks vietoje.
10. Pakeiskite grandininio rato gaubtą.
11. Sureguliuokite grandinės įtempimą. Vadovaukitės skyrelyje „Grandinės įtempimo reguliavimas“ pateiktais nurodymais.

ORO FILTRO VALYMAS

Žr. 290 psl.

1. Sustabdykite prietaisą. Patikrinkite, ar grandinės stabdys stabdymo padėtyje (nuleistas).
2. Atsukite suspaudimo galvelę ant oro filtro dangčio ir nuimkite jį nuo gaminio.
3. Nuimkite oro filtrą.
4. Šepetėliu nuvalykite nuo oro filtro dulkes ir nešvarumus. Jei reikia, plokščiu atsuktuvu padalykite oro filtrą ir išvalykite jį iš vidaus.
5. Pakeiskite oro filtro dangtį ir prisukite suspaudimo galvelę.

KIBIRKŠČIŲ GAUDYKLĖS VALYMAS

Žr. 291 psl.

⚠️ ĮSPĖJIMAS

Naudojant gaminį ir kurį laiką po to duslintuvus yra įkaitęs. Kad sunkiai nesusižeistumėte, dirbdami stenkitės visu kūnu būti atokiai nuo duslintuvo.

1. Sustabdykite prietaisą. Patikrinkite, ar grandinės stabdys stabdymo padėtyje (nuleistas). Kibirškčių gesiklio grotelės palaikomos deflektoriaus.
2. Išsukite varžtą, laikantį duslintuvo dangtį pritvirtintą prie smailo buferio, tada nuimkite dvi veržles ant duslintuvo dangčio.
3. Nuimkite duslintuvo dangtelį.
4. Ištraukite kibirkščių gaudyklę. Išvalykite kibirkščių gaudyklės tinklę nedideliu vielinio šepetėlio.
5. Pakeiskite duslintuvo dangtelį. Norint pakeisti duslintuvo dangtelį, šiuos veiksmus reikia atlikti atbuline tvarka.

⚠️ ĮSPĖJIMAS

Smailas buferis – gaminio saugos įtaisas. Pakeitę duslintuvo dangtelį, priveržkite jį tinkamu varžtu. Nesilaikant šios instrukcijos galima sunkiai ar mirtinai susižeisti.

GRANDINĖS STABDŽIO APŽIŪRA IR VALYMAS

Žr. 294 psl.

- Grandinės stabdžio mechanizmas turi būti visada švarus: nuo švaistiklių reikia reguliariai šepetėliu nubraukti nešvarumus.
- Po kiekvieno grandinės stabdžio valymo reikia patikrinti, kaip jis veikia.
- Papildomos informacijos žr. ankstesniame šio vadovo skyrelyje „Naudojimas: grandinės stabdžio patikra ir naudojimas“.

EN
FR
DE
ES
IT
NL
PT
DA
SV
DA
FI
NO
RU
PL
CS
HU
RO
LV
LT
ET
HR
SL
SK
BG

VARIKLIO GREIČIO IR KARBIURATORIAUS REGULIAVIMAS

⚠ ĮSPĖJIMAS

Netinkamai sureguliuotas karbiuratorius gali padidinti sužeidimų, mirtinų nelaimingų atsitikimų ar gaminio sugadinimo pavojų. Jei reikia sureguliuoti karbiuratorių, nugabenkite gaminį į įgaliotąjį techninio aptarnavimo centrą.

PRIEŽIŪROS TVARKARAŠTIS

Kasdienė patikra	
Kuro mišinys	Prieš kiekvieną naudojimą
Stryo sutepimą	Prieš kiekvieną naudojimą
Grandinės įtempimą	Prieš kiekvieną naudojimą ir dažnai
Sankaba įjungiamo (grandinė nejuda esant tuščiosios eigos greičiui)	Prieš kiekvieną naudojimą
Grandinės aštrumą	Prieš kiekvieną naudojimą, vizualinė patikra
Ar nėra sugadintų dalių	Prieš kiekvieną naudojimą
Ar nėra atsipalaidavusių spaustukų	Prieš kiekvieną naudojimą
Ar nėra atsipalaidavusių detalių	Prieš kiekvieną naudojimą
Grandinės stabdžio funkcija	Prieš kiekvieną naudojimą
Kuro nutekėjimams	Prieš kiekvieną naudojimą

PATIKRINKITE IR IŠVALYKITE

Apsagas	Prieš kiekvieną naudojimą
Visą pjūklą	Kiekvieną kartą prieš naudojant
Oro filtras	Kas 5 valandas*
Pjovimo grandinės stabdys	Kas 5 valandas*
Pakeiskite kuro filtrą	Kartą per metus
Pakeiskite kuro filtrą	Kartą per metus

*Veikimo valandos

ŠALUTINIAI PAVOJAI

Net naudojant gaminį pagal nurodymus, neįmanoma visiškai atmesti visų pavojaus veiksmų. Gali kilti toliau

nurodyti pavojai, todėl operatorius turi būti itin dėmesingas, kad išvengtų šių dalykų:

- Vibracijos sukeltas sužalojimas. Kiekvieną darbą atlikite jam skirtu įrankiu, naudokite atitinkamas rankenas ir ribokite darbo bei buvimo sveikatai žalingoje aplinkoje laiką.
- Ilgai būnant triukšme, galima pakenkti klausą. Dėvėkite akių apsaugą ir ribokite poveikio trukmę.
- Prisilietimas prie atvirų pjūklo grandinės dantukų (įsijovimo pavojus).
- Nenumatytas, staigus apsaugo kreiptuvo judėjimas (įsijovimo pavojus).
- Pjūklo grandinės išmetamos dalys (pjovimo / įpurškimo pavojai).
- Pjaunant ruošinį iššokančios dalys (medienos skiedros, atplaišos, šipuliai).
- Pjovimo dulkių, benzininio variklio dalelių ar išmetamųjų dujų įkvėpimas.
- Odos prisilietimas prie benzino/tepalų.

RIZIKOS MAŽINIMAS

Turime pranešimų, kad vibracija nuo ranka laikomų įrankių kai kuriems asmenims gali turėti neigiamos įtakos vystantis Raynaud sindromui. Šios ligos požymiai yra pirštų dilgčiojimas, nutirpimas ir pabailimas, paprastai pasireiškiantis nuo šalčio. Šie simptomai vystosi dėl paveldimų veiksnių, nesisaugant nuo šalčio ir drėgmės, dėl mitybos, rūkymo ir darbo praktikos. Operatorius gali imtis šių priemonių, kurios gali sumažinti vibracijos poveikį:

- Apsirenkite kuo šilčiau šaltu oru. Naudojant gaminį, reikia mūvėti pirštines, kad plaštakos ir riešai neatšaltų. Turime pranešimų, kad Raynaud sindromas labiausiai vystosi nuo šalto oro sąlygų.
- po darbo kiekvieną kartą paspočiuokite, kad pagerėtų kraujo apytaka;
- dažnai darykite darbo pertraukas. Apribokite darbo laikotarpį per dieną.
- Apsauginės pirštines, kurių galima įsigyti iš profesionalių grandininio pjūklo mažmenininkų, specialiai skirtos dėvėti naudojant grandininis pjūklus: jos apsaugo ir jomis tvirtai suimamos pjūklo rankenos. Pirštines taip pat sumažina rankenų vibracijos poveikį. Šios pirštines atitinka EN381-7 standartą ir turi būti paženklintos „CE“.

Jei jums pasireiškia kokie nors šios būklės simptomai, nedelsdami nutraukite darbą ir kreipkitės į gydytoją.

⚠ ĮSPĖJIMAS

Ilgiau naudojant, įrankis kelia sužeidimų pavojų ir apsunkina darbą. Ilgiau naudojant įrankius, reikia reguliariai daryti pertraukas.

PAŽINKITE SAVO GRANDININĮ PJŪKLĄ

Žr. 271 psl.

DALYS

1. Pjovimo grandinė
2. Pjovimo juosta

3. Priekinis įtaisas rankai apsaugoti/pjovimo grandinės stabdys
4. Priekinė rankena
5. Oro filtro dangtelis
6. Starterio rankena
7. Galinė rankena
8. Bamberio smaigas Integruotas bamberio smaigas
9. Duslintuvo dangtis
10. Degalų bako dangtelis
11. Alyvos bako dangtelis
12. Uždegimo spynelė
13. Jungiklio deblokavimo mygtukas
14. Akceleratoriaus mygtukas
15. Pasiurbimo pompytė
16. Droselio svirtis
17. Daugiafunkcis veržliaraktis
18. Grandininio rato gaubtas
19. Grandinės gaudytuvai
20. Grandinės įtempiklio reguliavimo žiedas
21. Kreipiamojo strypo suspaudimo galvelė
22. Kreipiamosios juostos gaubtas

SAUGOS ĮTAISAI

MAŽO ATŠOKIMO GRANDINĖ

Mažos atatrakos pjūklų grandinė padeda sumažinti galimybę įvykti atatrakai.

Gylio ribotuviui, esantis kiekvieno dantuko priekyje, gali sumažinti atšokimo efektą, vengiant per giliau dantukų skverbimosi į atšokimo vietą. Keitimui naudokite tik gamintojo rekomenduojamą kreipiamąją juostą ir grandinę.

Išgalandę pjovimo grandinę, padvigubinkite budrumą, kadangi galandimas daro grandinę mažiau atsparią atšokimui. Savo saugumo labui, pakeiskite pjūklų grandines, kai yra mažiau pjovimo darbų.

BAMPERIO SMAIGAS INTEGRUOTAS BAMPERIO SMAIGAS

Gali būti naudojamas kaip ašis atliekant pjūvį. Ji padeda išlaikyti pjūklų korpusą stabilų pjaunant. Pjaudami stumkite įrankį į priekį, kol smaigai įsirėš į medienos kraštą, tada stumkite galinę rankeną aukštyn ar žemyn pjovimo linijos kryptimi, kad pjaudami mažiau įsitemptumėte.

PJOVIMO JUOSTA

Bendrai, kreipiamieji strypai su nedideliu spindulio antgaliais rečiau atšoka veikiami atatrakos jėgos. Keitimui naudokite tik gamintojo rekomenduojamą kreipiamąją juostą ir grandinę. Naudojant nerekomenduojamus kreipiamuosius strypus, padidėja pavojus nesuvaldyti gaminio pjaunant. Reguliariai tikrinkite grandinės įtempimą. Pjaunant mažesnes šakeles (trumpesnes nei visas kreipiamosios juostos ilgis), grandinė gali dažniau nušokti, jeigu yra netinkamai įtempta.

PJOVIMO GRANDINĖS STABDYS

Pjovimo grandinės stabdys skirtas tam, kad būtų galima greitai sustabdyti grandinės sukimąsi. Pjovimo grandinė turi tučtojau sustoti, kai stabdžio svirtis/įtaisas rankai apsaugoti stumiamas pirmyn. Pjovimo grandinės stabdys netrukdo atšokimo efektui. Tai tik sumažina sužeidimų pavojų per atatraką grandinės juostai susilietus su darbuotojo kūnu. Grandinės stabdį reikia tikrinti kiekvieną

kartą prieš naudojant pjūklą: reikia patikrinti, ar stabdys tinkamai veikia pjovimo ir įjungto stabdžio padėtyse.

GRANDINĖS GAUDYTUVAS

Grandinės gaudyklė neleidžia atspalaidavusiai ar nutrūkusiai pjūklų grandinei atšokti atgal ir atsitrenkti į pjūklą naudojančią žmogų.

SIMBOLIAI ANT ĮRENGINIO



Pranešimas apie saugumą



Prieš naudodami įrenginį, atidžiai perskaitykite instrukcijas, laikykitės įspėjimų ir saugos nurodymų.



Dėvėkite akių, ausų ir galvos apsaugą.



Naudodamiesi šiuo gaminiu visada avėkite avalynę neslystančiais padais.



Mūvėkite neslystančias, tvirtas apsaugines pirštines.



Atsargiai – saugokitės grandininio pjūklų atatrakos ir neprisilieskite prie strypo galo.



Laikykite ir naudokite grandininį pjūklą abejomis rankomis.



Nenaudokite savo grandininio pjūklų, laikydami jį viena ranka.



Šis prietaisas atitinka visas reglamentuotas normas ES šalies, kur jis buvo nupirtas.



Naudokite benziną be švino, skirtą automobiliams, su oktaniniu skaičiumi 91 ((R+M)/2) arba didesniu.



Naudokite dvitaškio variklio alyvą oru aušinamiems varikliams.



Kuro mišinį gerai išmaišykite, tai taip pat būtina atlikti kiekvieną kartą prieš pildant kurą.



Strypo ir grandinės alyvos reikia papildyti kiekvieną kartą įpilant į gaminį kurą.



Nustatykite grandinės stabdį į padėtį „VEIKTI“.



EN
FR
DE
ES
IT
NL
PT
DA
SV
FI
NO
RU
PL
CS
HU
RO
LV
LT
ET
HR
SL
SK
BG



Nustatykite grandinės stabdį į padėtį „STABDYS“.



Pasukite variklio užvedimo mygtuką į įjungimo (ON) padėtį.



Panaudokite pasiurbimo pompą 10 kartus .



Nustatykite droselio svirtį į "Full" droselio padėtį.



Traukite už starterio rankenos (nedaugiau kaip penkis kartus), kol išgirsite, kad variklis užsivedė.



Nustatykite droselio svirtį į "Half" droselio padėtį.



TRAUKITE rankinį starterį tol, kol variklis užsiveda.



Nuspauskite spragtkuto atleidimo mygtuką ir droselio spragtkuką.



„EurAsian“ atitikties ženklas



Garantuojama garso galia yra 112 dB



Stryo ir grandinės alyva



Bešvinis benzinas ir dvitaktė alyva.



Veikimo padėtis



Pusiau atidaryta droselinė sklendė



"Full" droselio padėtį



Bloketąjs



Atrakinti



Pasukite grandinės įtempimą nustatyti
+ = Įtempkite grandinę
- = Grandinės atpalaidavimas



Grandinės judėjimo kryptis
(Pažymėta po grandininio rato gaubtu)



Įprastas režimas



Apsaugos nuo užšalimo režimas

T

Tuščios eigos nustatymas

H

Didelio greičio reguliavimo adata

L

Mažo greičio reguliavimo adata

SIMBOLIAI VADOVE



Maišykite degalus gryname ore, toli nuo bet kokios kibirkšties ar liepsnos.



Maišydami kurą arba pildydami kuro baką kuru, nerūkykite.



Detalės arba priedai yra parduodami atskirai



Elektrinių produktų atliekos neturi būti metamos kartu su namų ūkio atliekomis. Prašome perdirbkite jas ten, kur yra tokios perdirbimo bazės.



Pastaba



Įspėjimas!



Dėvėkite akių ir veido apsaugos priemones.



Dėvėkite viršutinės kūno dalies apsaugos priemones.



Dėvėkite kojų apsaugos priemones.



Sustabdykite prietaisą.



Užrakinkite filtro dangtį.



Atsukite filtro dangtį.

Šie signaliniai žodžiai yra skirti nurodyti su prietaiso naudojimu susijusio pavojaus lygį.

⚠ PAVOJUS

Reiškia ypač pavojingą padėtį, kurios neišvengus bus patirti sunkūs ar net mirtini sužeidimai.

⚠ ĮSPĖJIMAS

Reiškia potencialiai pavojingą situaciją, kurios neišvengus galimi sunkūs ar net mirtini sužeidimai.

⚠ ATSARGIAI

Reiškia potencialiai pavojingą situaciją, kurios neišvengus galimi lengvi ar vidutinio sunkumo sužeidimai.

ATSARGIAI

Be įspėjamųjų simbolių

Reiškia nuosavybės žalos tikimybę.

EN
FR
DE
ES
IT
NL
PT
DA
SV
FI
NO
RU
PL
CS
HU
RO
LV
LT
ET
HR
SL
SK
BG

Säkerhet, prestanda och pålitlighet har varit högsta prioritet vid design av din Bensindriven motorsåg.

OTSTARBEKOHANE KASUTAMINE

See seade on ette nähtud kasutamiseks vaid väljaspool ruume, hästiventileeritud kohas. Ohutuse tagamiseks peab saagi kasutamise ajal kogu aeg hoidma kahe käega.

See kettsaag on ette nähtud okste, kändude, puutüvede ja talade lõikamiseks, mille läbimõõt on ära määratud juhtlapi pikkusega. Saag on ette nähtud vaid puidu saagimiseks. Seda tohivad kasutada vaid täiskasvanud koduses majapidamises ja nad peavad olema saanud ohutuse alase väljaõppe ning rakendama sae kasutamisel ennetavaid meetmeid ja turvatoiminguid.

Ärge kasutage saagi mingiks muuks otstarbeks kui allpool loetletud. See saag ei ole ette nähtud kutsealaseks puude langetamiseks. Saagi ei tohi kasutada lapsed ja need inimesed, kes ei kanna nõuetekohast kaitsevarustust ja riietust.

⚠ HOIATUS

Seadme kasutamisel tuleb järgida ohutusreegleid. Teie ja kõrvalseisjatele ohutuse tagamiseks lugege käesolevad juhised enne seadme kasutamist läbi. Kettsaagide kasutamiseks, ohtude vältimiseks, esmaabiks ja hooldamiseks peate läbima professionaalselt korraldatud ohutustehnika kursused. Hoidke juhend edaspidiseks kasutamiseks alles.

⚠ HOIATUS

Kettsaad on potentsiaalselt ohtlikud tööriistad. Kettsaaga seotud õnnetused lõpevad tihti jäseme kaotuse või surmaga. Alati ei ole ohud tingimata seotud kettsaaga. Surma võib saada okste langemise, puude ümberkukkumise ja veerevate palkide tõttu. Täiendavat ohtu kujutavad haiged ja mädanenud puud. Hinnake oma võimet tööd ohutult teha. Kui teil on kahtlusi, jätke see kutselistele saagijatele.

OHUTUSE ÜLDEESKIRJAD

- Mõnedes piirkondades on seadused, mis piiravad selle toote kasutamist. Lisateavet saate kohaliku omavalitsusest.
- Ärge laske toodet kasutada lastel või inimestel, kes ei ole käesoleva juhendiga tutvunud. Kohalikud regulatsioonid võivad seada kasutaja vanusele piiranguid.
- Enne seadme kasutamise alustamist veenduge, et kõik juht- ja ohutusseadised töötavad nõuetekohaselt. Kui mootor nupule OFF vajutamisel välja ei lülitu, ärge seadet kasutage.
- Ärge käivitage ega käituge mootorit suletud või halvasti ventileeritud kohas, sest heitgaasid võivad olla surmavad.
- Enne töö alustamist tuleb tööpiirkond alati korrastada, segamini ja eba puhtas kohas töötamisel võivad juhtuda õnnetused.

- Använd ordentliga syn- och hörselskydd, grova skyddshandskar, skyddsstövlar med halkfria sulor samt skyddshjälm vid arbete med produkten. Kui töötamine on tolmune, kasutage näomaski.
- Ärge kandke lõtvu riideid, lühikesi pükse ega mingeid ehteid.
- Kinnitage pikad juuksed õlgadest kõrgemale, et vältida nende takerdumist liikuvate osade vahele.
- Se upp för kringkastade, flygande eller fallande föremål. Hoidke kõik kõrvalseisjad (eriti lapsed ja lemmikloomad) tööalalt vähemalt 15 meetri kaugusele.
- Ärge kunagi kasutage seadet plahvatusohtlikus või tuleohtlikus keskkonnas.
- Se till att ha ett fast grepp om båda handtagen när produkten används.
- Seadmega töötamisel jälgige tööpiirkonda ja kasutage sealjuures tervet mõistust. Ärge kasutage seadet väsinuna või haigena ega siis, kui olete uimastite, alkoholi või ravimite mõju all. Hetkeline tähelepanu hajumine muruniiduki kasutamise ajal võib põhjustada raske kehavigastuse.
- Ärge kasutage seadet halva valgustatuse korral. Töötajal peab tööpiirkonnale olema selge väljavaade, et tuvastada võimalikud ohud.
- Kuulmiskaitsevahendid takistavad häälohiatuste (hüüded ja helisignaale) kuulmist. Operaator peab seda arvesse võtma ja pöörama täiendavat tähelepanu sellele, mis toimub tema töökohal.
- Mitme sarnase seadme töötamisel samas piirkonnas suurendab kuulmiskahjustuse riski töötajal ja inimestel, kes tööpiirkonda sisenevad.
- Hoidke kindlat jalgade asendit ja tasakaalu. Ärge kummardage. Att sträcka sig för mycket kan leda till att man förlorar balansen eller att man exponeras för heta ytor och kan även öka risken för kickback.
- Hoidke kõik kehaosad liikuvatest osadest eemal.
- Ärge puudutage summutit või mootorit, sest töötamise ajal need osad kuumenevad.
- Kontrollige seade iga kord enne kasutamist üle. Kontrollige, et juhtimiseadised, kaasa arvatud ketpidur töötavad nõuetekohaselt. Kontrollige üle lõtvunud kinnitite suhtes ja veenduge, et kõik kaitsed ja käepidemed on õigesti ja ohutult kinnitatud. Enne kasutamist asendage kõik vigastatud koosteosad.
- Ärge püüdke seadme konstruktsiooni mingil viisil muuta ega kasutage varuosi või tarvikuid, mis pole tootja poolt soovitatud.

⚠ HOIATUS

Kui seade on maha kukkunud, saanud tugeva löögi või hakkab ebanormaalselt vibreerima, seisake seade viivitamatult ja kontrollige see üle vigastuste suhtes. Kõik vigastused tuleb lasta volitatud hooldustöökohas parandada või asendada.

- Kui kütuse segamisel või täites kütusepaak, ei suitseta ja hoida 10 m eemal süttimisallikatest.
- Segage ja säilitage kütust vastava otstarbega anumas.

- Segage kütust välitingimustes, kus pole tuleohtu. Pühkige ära mahavoolanud kütus. Enne mootori käivitamist minge tankimiskohast 10 m (30 jala) kaugusele.
- Enne hoiale paneku või teisaldamise alustamist seisake mootor.
- Kom ihåg att stänga alla bränslock/behållarlock ordentligt efter påfyllning eller blandning.

SAEKETI OHUHOIATUSED

- Kui seade ei ole kasutuses, seda kantakse või transporditakse, paigaldage sellele terakaitse. See vähendab riski, et on võimalik juhustlik kokkupuude saeketi teravate lõikeservadega. Sae kandmisel hoidke saagi kinni ülemisest käepidemest, suunake saelatt kehast eemale.
- Õppige oma uue kettsaega töötama tehes lihtsaid lõikeid ohutult toetatud puusse. Tehke seda ka siis kui te pole saega töötanud pikka aega.
- Kui kasutate saagi esimest korda, saagige ümarpalki saepukil või vastaval alusel.
- Veenduge, et kõik kaitsekatted, käepidemed ja ogalatt on nõuetekohaselt kinnitatud ning heas seisundis.
- Kettsae kasutaja peab olema hea tervise juures. Kettsaag on raske seade, seega peab kasutaja olema füüsiliselt tugev. Kasutaja peab olema valvas, tal peab olema hea väljavaade, vaba liikumisruum, tasakaal ja käelisel osav. Kui on mingeid kahtlusi, siis ärge kettsaagi kasutage.
- Stå inte på instabilt underlag när produkten används. Detta kan inkludera, utan begränsning, stegar, ställningar och träd. Hoidke mõlemad käed kogu aeg käepidemetel.
- Ärge alustage toote kasutamist enne kui tööpiirkond on vaba, teil on kindel jalgealune ja varem plaanitud taganemistee langeva puu eest.
- Olge äärmiselt ettevaatlik väikeste puuvõsude ja võsa lõikamisel, sest peenem materjal võib haakuda keti külge ning see võib lennata teie poole või tõmmata teid tasakaalust välja.
- Pinge all oleva oksa saagimisel hoolitsege, et te sellega pihta ei saaks, kui puukiududes olev pingeline vabaneb.
- Hoiduge heitgaaside, määrdeõliudu ja saepurultolmu eest! Kandke vajadusel maski või respiraatorit.
- Ärge saagige väätsid ja/või peenikest alusmetsa (peenemat kui 75 mm).
- Hoidke kettsaagi töötamise ajal kinni mõlema käega. Hoidke käepidemetest tugevasti kinni, nii et põial on ümber käepideme. Parema käega tuleb kinni hoida tagumisest käepidemest ja vasakuga eesmisest käepidemest.
- Enne kettsae käivitamist veenduge, et saeketi ei puutu millegi vastu. Se till att kedjebromsen alltid används (helt framtryckt) när produkten startas.
- Ärge püüdke seadet mingil moel muuta või kasutada seda mingite seadmete või seadiste käitamiseks, mis ei ole tootja poolt soovitatud.
- Sae kasutamisel peab teil olema kättesaadav esmaabikomplekt, milles on suure haava

sidumisvahendid ja abikutsevahendid (näiteks vile). Läheduses peab olema suurem esmaabikomplekt.

- Sae kasutaja võib kiivri peast võtta, kui tööpiirkonnas pole langevate puude ohtu, kuid pidage meeles, et kiiver ja selle võrkvisiir aitab teil vähendada võimalikku ohtu näole ja peale, kui peaks ilmne tagasilöökk.
- Valesti pingutatud kett võib juhtlatit maha tulla ja põhjustada sellega raske kehavigastuse või surma. Kedjans längd beror på kedjans temperatur och skick. Kontrollrige keti pingust korrapäraselt.
- Hoidke tööriista käepidemed kuivana, puhtana ja ärge laske neile sattuda õli või määret. Feta och oljiga handtag kan glida och göra att du förlorar kontroll.
- För att minska skaderisken med roterande delar ska motorn alltid stoppas, kedjebromsen aktiveras, tändkabeln tas bort och se till att alla rörliga delar har stannat helt före
 - puhastamine ja ummistuse kõrvaldamine
 - toote jätmisel järelvalveta
 - tarvikuid paigaldama või eemaldama.
 - seadme kontrollimine, hooldamine või teenindamine
- Tööplatsi suurus sõltub töö iseloomust ja puu või muu saetava eseme suuruselt. Näiteks puude langetamine nõuab rohkem tööruumi kui seda on vaja muudel lõikamistoimingutel, näiteks järkamisel. Saagija peab olema ettevaatlik ja jälgima kõike, mis toimub tööpiirkonnas.
- Ärge hoidke oma keha samal joonel juhtlati ja ketiga. Kui te pole harjunud tagasilöögiga, siis aitab see vältida keti liikumist teie pea ja keha suunas.
- Säga inte med en rörelse fram-och-tillbaka, låt kedjan arbeta. Se till att kedjan hålls vass och försök inte trycka kedjan genom snittet.
- Saagimise lõppjärgus ärge avaldage enam survet. Olge valmis hoidma saagi hetkel, kui see läbibast puu. Muidu võite saada raske kehavigastuse.
- Ärge peatage saagi saagimisoperatsiooni keskel. Laske sael töötada kuni see on lõikest välja võetud.

Isikukaitsevahendid

Saagija vigastamise riski vähendamiseks kasutage kvaliteetseid isikukaitsevahendeid. Kettsae kasutamisel kasutage järgmisi isikukaitsevahendeid:

Kaitsekiiver

- peab vastama standardi EN 397 nõuetele ja olema CE-märgisega

Kuulmiskaitsevahendid

- peab vastama standardi EN 352-1 nõuetele ja olema CE-märgisega

Silma- ja kuulmiskaitsevahendid

- peavad olema CE-märgisega ja vastama standardi EN 166 nõuetele (turvapriidid) või standardi EN 1731 nõuetele (võrkvisiir)

Kaitsekindad

- peab vastama standardi EN 397 nõuetele ja olema CE-märgisega

Jalgakaitse (säärised)

- peavad vastama standardi EN381-5 nõuetele,

EN
FR
DE
ES
IT
NL
PT
DA
SV
DA
FI
NO
RU
PL
CS
HU
RO
LV
LT
ET
HR
SL
SK
BG

olema CE-märgisega ja tagama üldkaitse.

Saagija turvajalatsid

- peavad vastama standardi EN ISO 20345:2004 nõuetele ja peavad olema markeeritud kettsae sümboliga, mis näitab vastavust standardile EN 381-3. (Hooajalised kasutajad võivad kasutada terasest ninakaitsega turvasaapaid ja kaitseääriseid, mis vastavad standardi EN 381-9 nõuetele, kui maapind on tasane, kukkumisoht on minimaalne ning puudub alusmets)

Saagija turvajakk

- peab vastama standardi EN 381-11 nõuetele ja olema CE-märgisega

KOKKUPANEK

⚠ HOIATUS

Kui mõni osa on kahjustunud või puudu, ärge kasutage seda seadet enne, kui vastav osa on asendatud. Selle hoiatuse eiramine võib põhjustada raskeid vigastusi.

SAEKETI JA JUHTLATI KOKKUPANEK

Vt leht 273, Joon. 5 - 8.

1. Seisake muruniiduk. Kandke kaitsekindaid.
2. Koppla från kedjebromsen.
3. Skruva loss sägklingans läsvred och ta bort drevskyddet.
4. Kinnitage saelatt ja ketipinguti sõlm kettsaele. Langetage saeleht, nii et poldi saab ketipingutuse sõlmes läbi ava suunata.
5. Saekett peab olema suunatud keti pöörlemise suunda. Vastasel korral pöörake kett ümber.
6. Dra slingan runt drevet. Juhtige keti veo lülid soonde. Vid behov kan du rotera kedjespänningen för att spänna kedjan något vilket kommer att hjälpa till att hålla den på plats.
7. Pange ketiratta kaas tagasi.
8. Reguleerige keti pingus välja. Juhinduge osast "Keti pinguse reguleerimine".

KETI PINGE SEADISTUS

Vt leht 286.

1. Lossa försiktigt klingans läsvred genom att vrida det moturs.
2. Keti pinguse suurendamiseks pöörake keti pinguse reguleernuppu päripäeva ja kontrollige keti pingust sagedasti. Keti pinguse vähendamiseks pöörake keti pinguse reguleernuppu vastupäeva ja kontrollige keti pingust sagedasti.
3. Keti pingus on nõuetekohane siis, kui saeketi lõikehamba ja juhtlati vahel on vahe 3–4 mm. Parim viis keti pinguse mõõtmiseks on tõmmata ketti juhtlati alaosale keskel alla (juhtlatist eemale) ja mõõta seejärel lati ja keti liugpindade vaheline kaugus.
4. Dra åt klingans läsvred genom att vrida det medurs.

MÄRKUS. Temperaturen på kedjan höjs under normal användning vilket gör att kedjan sträcks ut. Kontrollige keti pinget sageli ja pingutage vajaduse korral. Soojalt pingutatud kett võib jahtudes olla liialt pingul. Veenduge, et

keti pingus on õigesti välja reguleeritud vastavalt juhiste.

ANVÄNDA PRODUKTEN

KÜTUS JA TANKIMINE

Ohutu ümberkäimine kütusega

⚠ HOIATUS

Enne tankimist lülitage mootor alati välja. Ärge lisage kütust töötavale või kuumale mootorile. Enne mootori käivitamist liikuge vähemalt 9 m kaugusele tankimiskohast. Ärge suitsetage! Nimetatud hoiatuste eiramine võib kaasa tuua kehavigastusi.

⚠ HOIATUS

Kontrollige, et ei esineks kütuselekked. Kui avastate mingi lekke, siis kõrvaldage see enne seadme kasutamise hakkamist, et vältida tulekahju ja põletushaavu.

- Käsitsege kütust alati ettevaatlikult, sest see on kergsüttiv.
- Fyll alltid på bränsle utomhus på säkert avstånd från potentiella antändningskällor, andas inte in bränsleångor.
- Ärge laske bensiinil või õil kokku puutuda nahaga. Vid kontakt, tvätta omedelbart med tvål och rikligt med vatten.
- Vältige bensiini või õli silma sattumist. Kui bensiin või õli puutub kokku silmadega, peske silmi otsekohe puhta veega. Kui silmade ärritus ei lakka, pöörduge kohe arsti poole.

Kütuse segamine

- Sellel tootel on kahetaktiline mootor, mille puhul on vajalik bensiini ja kahetaktilise õli eelnev segamine. Segage pliivaba bensiin ja kahetaktiline õli puhtas bensiinikonteineris.
- Mootori tööks on vajalik pliivaba autobensiin oktaanarvuga 91 või enam.
- Ärge kasutage bensiinijaamades saadavat eelnevalt segatud bensiini ja õli segu. See kehtib ka moopedide, mootorrattade jm jaoks mõeldud bensiini ja õli segude kohta.
- Kasutage õhkjahutusega mootorites kõrgevaliteedilist isesegunevat 2-taktilise mootori määret. Ärge kasutage autodele mõeldud määret ega 2-taktiilist välispidist määret.
- Segage 2% sünteetilist kahetaktilise mootori õli bensiini sisse. Suhe on 50:1.
- Segage kütust põhjalikult ja korraldage segamist ka enne iga tankimist.
- Segage kütust väikestes kogustes. Ärge segage koguseid, millest jätkub enam kui 30 päevaks. Vi rekommenderar 2-takts smörjmedel som innehåller bränslestabilisator.

MÄRKUS. Garanti ei kata kütusesüsteemi kahjusid ega

jõudluseprobleeme, mille on tinginud eelpoolmainitud suurema mahuprotsendiga hapnikuga rikastatud kütuste kasutamine.

Fylla på bränsletanken

Vt leht 273.

- Saastumise vältimiseks puhastage paagi korgi ümbrus.
- Lossa bränsleOCKET lAngsam.
- Valage kütusesegu ettevaatlikult paaki. Vältige mahaloksumist.
- Enne korgi tagasiasetamist puhastage paak.
- Asetage kork kohe tagasi ja pingutage kätsi. Pühkige ära mahavoolanud kütus.

MÄRKUS. On normaalne, et mootor välja paisata suitsu ajal ja pärast esimest kasutamist.

KETIÖLI LISAMINE

Vt leht 273.

⚠ HOIATUS

Ärge mingil juhul kasutage ketti ilma õlita. Kui saekett liigub ilma õlita, võib juhtlatt vigastada saada. Seetõttu on oluline kontrollida õli taset õli taseme kontrollaknas korrapäraselt ja iga kord enne kettisae käivitamist.

1. Saastumise vältimiseks pühkige kütusepaagi korgi ümbrus puhtaks.
2. Keerake õlipaagi kork lahti ja võtke see maha.
3. Valage õli paaki, jälgides sealjuures taset paagi vaateakna kaudu. Hoollitsege, et õli sissevalamisel ei satuks paaki mustust.
4. Pange õlipaagi kork oma kohale tagasi ja keerake lõpuni kinni. Pühkige ära kogu mahasattunud õli.
5. Täidetud õlipaagiga on võimalik saagida 20 – 40 minutit.

MÄRKUS. Kui kett liigub õigesti ja saelati määrimissüsteem töötab nõuetekohaselt, siis eemaldub töötamise ajal ketist õli. Keti ja määrimissüsteemi töö kontrollimiseks suunake keti ots heledale pinnale, näiteks ajalehele. Mõne aja pärast peab sellele tekkima selgelt märgatav õlipiiskadest koosnev joon.

Soovitav ketiõli

- Tootja soovib kasutada vaid saeketi määreõli. (Saadaval volitatud teeninduskeskusest)

STARTA PRODUKTEN

Käivitamise viis sõltub sellest, kas mootor on soe või külm.

⚠ HOIATUS

Hoidke keha sae teljejoonest vasakule. Ärge hoidke saagi jalge vahel ega küünitage üle teljejoone.

- Placera produkten på jämnt underlag och se till att inga föremål eller hinder finns så nära att de kan komma i kontakt med klingan eller kedjan.
- Hoidke eesmist käepidet tugevalt vasaku käega ning asetage parem jalg tagumise käepideme juurde.

MÄRKUS. Järgnevates käivitusjuhistes tähendab õhuklapi

hoova seadmine piirasendisse START, et seguklapp on seatud käivitusasendisse. Seguklapi tagastamiseks asendisse RUN vajutage gaasihoovalle ja laske seejärel lahti.

Külma mootori käivitamine.

Se sida 272 - 273.

1. Lülitage süütevõti asendisse ON (SEES).
2. Seadke ketipiduri asendisse BRAKE hoova/käekaitse ettepoole lükkamisega.
3. Vajutage SÜÜTEKAPSEL 10 korda lõpuni alla.
4. Lükake õhuklapi hoov lõpuni asendisse START.
5. Kui temperatuur on üle 10°C, tõmmake mitte enam kui 3 korda starteri käepidemest kuni mootor üritab käivituda. Kui temperatuur on alla 10°C, tõmmake mitte enam kui 5 korda starteri käepidemest kuni mootor üritab käivituda.
6. Tryck chokereglaget till läget "half". Tõmmake starteri käepidemest kuni mootor käivitub.
7. Vajutage alla päästiku vabasti ja suruge gaasipäästikule, et vabastada päästik ja lülitada mootor tühikäigule.
8. Laske mootoril töötada 15–30 sekundit.
9. Innan motorn accelereras eller trä kapas ska du se till att kedjebromsen är i läget "run" genom att dra bak bromsspaken/handskyddet.

⚠ ETTEVAATUST

Gaasi vabastamine sellal, kui ketipiduri hoob on pidurdusasendis, kahjustab seadet. Ärge kunagi vajutage päästikule, kui ketipiduri hoob on pidurdusasendis.

Sooja mootori käivitamine.

Vt leht 281.

1. Lülitage süütevõti asendisse ON (SEES).
2. Seadke ketipiduri asendisse BRAKE hoova/käekaitse ettepoole lükkamisega.
3. Suruge etteandekupli 10 korda.
4. Tõmmake õhuklapi hoob välja käivitusasendisse ja lükake tagasi tööasendisse.
5. Tõmmake järsult starterinööri kuni mootor käivitub, kuid mitte üle 5 korra. Vajutage alla päästiku vabasti ja suruge gaasipäästikule, et vabastada päästik ja lülitada mootor tühikäigule. Kui mootor ei käivitu pärast 5-kordset käivitamist, kasutage külma mootori käivitusprotseduuri.
6. Innan motorn accelereras eller trä kapas ska du se till att kedjebromsen är i läget "run" genom att dra bak bromsspaken/handskyddet.

LÜLITAMINE TÕÖREŽIIMIDE VAHEL

Vt leht 287.

Külmumisvastane režiim takistab karburaatori jäätumist töötamise ajal, kui temperatuur on ≤5 °C.

Keerake õhupuhasti kaane paremal poolel asuv ventilatsiooni ava nii, et soe õhk saaks mootorisse siseneda ja vältiks sellega karburaatori külmumist.

EN
FR
DE
ES
IT
NL
PT
DA
SV
FI
NO
RU
PL
CS
HU
RO
LV
LT
ET
HR
SL
BG

⚠ HOIATUS

Kui välistemperatuuril ≤ 5 °C mootorit ei seata külmumisvastasele režiimile, siis alaneb mootori võimsus ja võib tekkida rike.

Ärge unustage seada mootorit tavatöö režiimile, kui karburaatori jäätumise riski pole. Kui te ei sea mootorit külmumisvastasel režiimil tavarežiimile, siis võib ilmnedu mootoririke.

MOOTORI SEISKAMINE

Vabastage päästik ja laske mootoril tühikäigul töötada. Mootori seiskamiseks seadke lüliti asendisse "O". Ärge asetage kettsaagi maha, kui kett pole täielikult peatunud. Ohutuse huvides pange peale ka ketpidur.

Kui saag lüliti vajutades ei seisku, tõmmake õhuklapp täielikult välja (Full Choke) ja pange mootori seiskamiseks peale ketpidur. Kui lüliti on asendis "O" ja saag ei seisku, viige lüliti enne järgmist kasutamist parandusse, et vältida ohtlikke olukordi ja võimalikke kehavigastusi.

MÄRKUS. När du har avslutat användning av produkten ska alltid tanktrycket lätas genom att öppna och sedan dra åt locken till kedjeoljan och bränslet. Laske mootoril jahutada.

HÄLLA PRODUKTEN

Vt leht 273.

Hoidke kettsaagi alati nii, et teie parem käsi on tagumisel käepidemel ja vasak käsi eesmisel käepidemel. Hoidke saagi kahe käega nii, et pöidlid ja sõrmed on ümber käepidemete. Veenduge, et hoiate vasaku käega käepidemest nii kinni, et põial on allpool.

KETPIDURI KONTROLLIMINE JA KASUTAMINE

1. Rakendage ketpidur oma vasaku käe pööramisega ümber eesmise käepideme. Kasutades oma käeselga, lükake kangi / käekaitset juhtlatti suunas sel ajal kui kett liigub kiiresti. Häll alltid båda händerna på produktens handtag.
2. Tagastage ketpidur kangi / käekaitse tõmbamisega esikäepideme suunas tööasendisse kuni on kuulda klõpsatust.

⚠ HOIATUS

Kui ketpidur ei peata koheselt ketti või ei püsi ilma lisaabita tööasendis, viige saag enne selle kasutamist volitatud teeninduskeskusesse remondiks.

⚠ HOIATUS

Kui gaasipäästik on vabastatud ja mootor töötab tühikäigul, ei tohi saekett liikuda. Kui see jääb liikuma, on oht, et operaator võib kehavigastusi saada. Ärge seadet kasutage ja andke see pädevaks reguleerimiseks volitatud hoolduskeskusesse.

SIDURI KONTROLLIMINE

1. Koppla från kedjebromsen genom att dra kedjebromsspaken/handskyddet mot det främre handtaget till det hörs ett klickljud.
2. Låt motorn gå på tomgång. Veenduge, et saekett ei pöörle. Kui saekett liigub tühikäigul, võib karburaator vajada seadistamist. Ärge seadet kasutage. Andke seade hoolduskeskusesse, kus seda pädevalt hooldatakse.
3. Suruge gaasipäästik pooleldi alla ja käitage toodet keskmisel kiirusel. Kui sidur on heas tööseisundis, peab saekett liikuma sujuvalt.

Tagasilöövide põhjus ja juhised nende vältimiseks:

Tagasilök võib esineda juhul, kui juhiku ots puudutab mõnd eset või kui saekett puidu sisse kinni jääb.

Otsa kontakt võib mõnel juhul põhjustada ootamatu vastureaktsiooni, lüües juhtlatti üles ja operaatori suunas.

Saeketi kinnijäämine juhtlatti otsas võib lükata juhtlatti kiiresti tagasi operaatori suunas.

Mõlemad kirjeldatud reaktsioonid võivad tingida kontrolli kadumise seadme üle, mis võib põhjustada tõsise kehavigastuse. Ärge loote ülemäära oma kettsae turvaelementidele. Kettsae kasutajana tuleks Teil võtta tarvitusele mitmeid tööohutusmeetmeid.

Tagasilök on sae väära kasutamise, ebaõigete töövõtete või tööks mittevastavate töötingimuste tulemus ja seda saab vältida allpool esitatud ettevaatusabinõude rakendamisega.

- **Hoidke saagi nii, et pöidlid ja sõrmed on kindlalt mõlema käepideme ümber ning hoidke oma keha ning käsivarred nii, et saate tagasilöögist tulenevaid jõudusid vastu võtta.** Operaatoril on võimalik tagasilöögist tekkivaid jõudusid hallata, kui selleks vastavaid meetmeid võtta. Ärge laske haaret lõtvuda.
- **Ärge küünitage end liigselt välja ja ärge püüdke saagida ülevalpool oma õlgasid.** See aitab vältida soovimatut otsakontakti ja võimaldab ootamatu olukorra tekkimisel tööriista üle kontrolli säilitada.
- **Kasutage ainult tootja poolt ette nähtud juhtlatti ja ketti.** Vale juhtlatti ja -kett võib põhjustada keti katkemise ja/või tagasilöögi.
- **Följ tillverkarens instruktioner för sågkedjan.** Vähenenud löikesügavuse piiraja kõrgus võib suurendada tagasilöögi võimalust.

LÜKKAMINE JA TÕMBAMINE

Vt leht 279.

Vastasmõju suund on alati vastupidine keti liikumissuunale. Saagija peab olema valmis selleks, et saag võib liikuda eemale (ettepoole) ja kui saete juhtlatti alaservaga võib saag liikuda tagasi (saagija suunas).

SAAG ON JÄÄNUD PUUSSE KINNI

Seisake saag ja võtke ohutusmeetmeid. Ärge püüdke ketti ja juhtlatti jõuga löikekohast välja võtta, sellega võite keti lõhkuda kui see pöörub tagasi ja annab saagijale löögi. See olukord tekib tavaliselt siis, kui puu on valesti toetatud ja seetõttu surutakse löikekoht kokku ja saag jääb puusse kinni. Om ändring av stödet inte gör att klingan och



kedjan lossnar kan du prova med träkilar eller liknande för att öppna snittet och lossa produkten. Ärge mingil juhul käivitage saagi kui juhtlatt on lõikes või pilus.

ÜLDISED JUHISED NÕUETEKOHASEKS LANGETAMISEKS, OKSTE LÕIKAMISEKS JA JÄRKAMISEKS

Ohud puidus esinevatest sisepingetest

Kui saate aru puidu sees olevatest jõududest ja pingetest saate vältida kinnikiilumist või vähemalt saate aru pingete toimest. Puidus oleva pinged suruvad puidu kiudusid laiali ja kui sellises kohas teha lõige või pilu, siis on suundumus kiudude avanemisele kui saag puitu läbib. Kui puutüvi on toetatud saepukile ja üleulatav ots on toetamata, siis tekib pinge ülapiinna, mis on tingitud üleulatava tüveosa massist ja kiud satuvad pinge alla. Samuti on tüve alaosa surve all ja puidu kiud surutakse seal kokku. Kui lõige tehakse selles osas, siis on saateel suundumus sulguda. See võib saelati kinni suruda.

Puu langetamine

Vt leht 277 - 278.

Kui puude langetamisel ja järkamisel töötab samaaegselt kaks või rohkem töötajat, siis peab langetamine toimuma järkamisest eraldi, sellisel kaugusel, mis minimaalselt võrdub langetatava puu kahe kõrgusega. Puud tuleb langetada sellisel moel, et see ei ohusta ühtegi inimest ega taba õhuline ning ei tekita ainekahju. Kui puu puudutab õhuliini, siis tuleb sellest viivitamatult teavitada õhuliini haldajat.

Saagija peaks hoiduma ülesmäge, kuna pärast langemist veereb puu tõenäoliselt allamäge.

Ohutsoonist lahkumise teekond tuleb ette planeerida ja puhastada enne puu langetamise alustamist. Ohutsoonist lahkumise teekond peab olema langeva puu taga, diagonaalselt puu langemise oletatava suunaga.

Enne langetamise alustamist tehke kindlaks puu loomuliku kalde suund, suuremate okste paiknemine ja tuule suund, et hinnata mis võib puu langemist mõjutada.

Eemaldage puult mustus, kivid, lahtine koor, naelad, klambriid ja traat.

Ärge püüdke langetada mädanenud, tuulega murdunud, põlenud ja välgulöögi saanud puid. See on äärmiselt ohtlik ja seda tohivad teha vaid väljaõppinud saagijad.

- Puu sälkamine
Vt leht 277 - 278.

Tehke risti langetamise suunale puu sisse sälk, mille sügavus on 1/3 puu läbimõõdust. Esmalt tehke alumine horisontaalne sisselõige. See väldib teise sisselõike tegemise ajal saeketi või juhtlati kinnijäämist.

- Langetuslõige
Vt leht 277 - 278.

Tehke langetuslõige puusse vähemalt 50 mm võrra sälkloikest kõrgemale. Saagige langetuslõige paralleelselt sälkloike horisontaallõikega. Tehke langetuslõige sellise sügavusega, et murdekohta jääks alles piisavalt puitu. Murdekohta puit väldib puu pöördumist ja vales suunas langemist. Ärge lõigake murdekohta läbi.

Kui langetuslõige jõuab murdekohale liiga lähedale, siis hakkab puu langema. Kui tekib oht, et puu võib langeda

mittesoovitavas suunas või tagasisuunas otssuma hakata ja sae kinni kiiluda, ärge tehke langetuslõiget lõpuni ja kasutage puidust, plastist või alumiiniumist kiilusid, et lõige avada ning lasta puul langeda soovitud suunas.

Kui puu hakkab langema, võtke saag lõikest välja, seisake mootor, pange saag maha ja lahkuge varem ettevalmistatud tee kaudu. Olge ettevaatlik allalangevate okste suhtes ja jälgige oma jalgealust.

Peajuurte eemaldamine

Vt leht 278.

Peajuur on jäme juur, mis väljub tüvest maapinna kohal. Kõrvaldage suuremad peajuured enne langetamist. Tehke juure sisse esmalt horisontaalne lõige, seejärel vertikaalne. Koristage järelejääv lahtine tükk töökohalt. Pärast peajuurte eemaldamist järgige korrektset puulangetamise korda.

Palgi järkamine

Vt leht 279.

Järkamine tähendab puutüve järkamist soovitud pikkusega palkideks. Järkamisel on tähtis tagada endale kindel jalgealune ja jagada kehakaal mõlemale jalale. Võimaluse korral tuleb tüvi üles tõsta ja toetada harude, puutüvede või kiiludega. Saagimise hõlbustamiseks tuleb järgida järgmisi juhiseid. Kui tüvi on maapinnal kogu oma pikkuses, siis tuleb seda saagida ülemiselt poolt (ülälõige).

Kui tüvi on toetatud ühes otsas, siis tehke lõige 1/3 läbimõõdu ulatuses altpoolt (altlõige). Seejärel tehke ülevalt lõplik lõige vastu altlõiget.

Kui tüvi on toetatud mõlemast otsast, siis tehke lõige 1/3 läbimõõdu ulatuses ülemiselt poolt (ülälõige). Seejärel tehke ülevalt lõplik lõige 2/3 läbimõõdu ulatuses vastu altlõiget.

Kallakul järkamisel olge tõusupoolel küljel. Läbilõikamise hetkel hoidke saagi kontrolli all ja ärge lõike lõpus saele suruge, kuid ärge lõvendage haaret sae käepidemete ümber. Ärge laske ketil maapinda puudutada. Pärast lõike lõpetamist laske sael lõplikult seiskuda, enne kui te hakkate saagi teise kohta ümber paigutama. Ühe puu saagimiselt teisele siirdumisel tuleb saag alati seisata.

Okste laasimine

Vt leht 280.

Laasimine tähendab langetatud puult okste äralõikamist. Laasimisel jätke suuremad oksad alles, mis toetavad puutüve maapinnale. Saagige väiksemad oksad maha ühe lõikega. Pinge all olevad harud tuleb ära lõigata altpoolt üles, et sae kinnijäämist vältida.

Vetruvate tüvede lõikamine

Vt leht 280.

Pinge all olev puu on mis tahes palk, oks, känd või võsu, mida mõni teine puu pinge all hoiab ja mis pinge alt vabanedes võib tagasilöögi anda.

Langend puu juurtega känd võib järkamise tulemusel suure tõenäosusega püstiasendisse liikuda. Olge selliste puudega ettevaatlik; need on ohtlikud. Kapa inte krokiga grenar eller bitar som är i spänning om du inte är utbildad för det och har kompetensen.

EN
FR
DE
ES
IT
NL
DA
PT
DA
SV
FI
NO
RU
PL
CS
HU
RO
LV
LT
ET
HR
SL
SK
BG



TRANSPORTIMINE JA HOIUSTAMINE

- Stoppa motorn, aktivera kedjebromsen, koppla från tändkabeln från tändstiftet och låt svalna föra förvaring eller transport.
- Puhastage seade kõikidest vöörkehadest.
- Kallake kogu kütus paagist kütusemahutisse. Kom ihåg att sätta tillbaka och ordentligt dra åt bränsleblandningslocket.
- Laske mootoril töötada kuni peatumiseni. See kõrvaldab kütuse ja õli segu, mis võib riknedes katta kütusesüsteemi kuivanud õli ja vaigukihiga.
- Kallake kogu kütus paagist kütusemahutisse. Kom ihåg att sätta tillbaka och ordentligt dra åt motorsågsoljlocket.
- Sätt alltid på sägklingkyddet före förvaring eller transport av produkten.
- Hoidke kuivas ja hästi ventileeritud kohas, mis on lastele juurdepääsmatu. Hoidke kettsaagi eemal söövitavatest ainetest nagu aiakemikaalid ja jäätõrjevahendid. Ärge hoiustage õues.
- När produkten bärs kortare sträckor (från en arbetsplats till en annan) ska alltid kedjebromsen vara aktiverad så att sägkedjan inte kan röra sig.
- Vid transport av produkten ska den säkras mot rörelser eller fallande för att förhindra personsador eller att produkten skadas.
- Ärge kandke või teiselaldage saagi sel ajal, kui see töötab.

Järgige kõiki riiklikke ja kohalikke eeskirju kütuse turvalisel säilitamisel ja käsitsemisel. Üleliigne kütus tuleks kasutada ära muudes kahetaktilise mootoriga seadmetes.

HOOLDUS

Se till att produkten alltid är i gott skick.

⚠ HOIATUS

Kasutage ainult tootja originaalvaruosi, tarvikuid ja tööorganeid. Selle nõude eiramine võib põhjustada, kehavigastuse, tootluse languse ja teile antud garantii tühistamise.

⚠ HOIATUS

Hooldamine nõuab ülimalt korrashoidu ja teadmisi ning tuleks teostada ainult kvalifitseeritud hooldustehnikute poolt. Vid service och för reparation ska produkten lämnas in hos närmaste auktoriserade servicecenter. Kui hooldate, kasutage ainult identseid varuosi.

⚠ HOIATUS

Före översyn, rengöring eller service på produkten ska motorn stoppas, kedjebromsen slås på och tändkabeln kopplas från tändstiftet. Nende ohutuseeskirjade mittejärgimine võib kaasa tuua raskeid kehavigastusi või vara kahjustamise.

- Lubatud on teha ainult selles kasutusjuhendis

kirjeldatud reguleerimis- ja parandustoiminguid. Muude remonditööde tegemiseks võtke ühendust volitatud hooldajaga.

- Ebapiisava hoolduse tagajärjel võivad ketipiduris ja teistes ohutusfunktsioonides ilmuda häired ja sellega tekib tõsise kehavigastuse oht. Hoidke kettsaag hooldatud olekus ja turvalisena.
- Saeketi teritamine nõuab professionaalseid oskusi. Seetõttu soovitab tootja tungivalt kulunud ja nüri saeketi asendada uuega, mis on saadaval hoolduskeskusest. Toote number on saadaval selle kasutusjuhendi seadme tehniliste andmete tabelis.
- Järgige saeketi määrimise, keti pinguse ja kontrollimise ning reguleerimise juhiseid.
- Pühkige trimmer pärast iga kasutuskorda pehme kuiva lapiga puhtaks.
- Kontrollige kõiki mutreid, polte ja kruvisid sagedaste intervallidega õige pinguloleku suhtes, et veeenduda toote ohutus töökorras olemises. Vigastatud osad tuleb lasta pädeval hooldajal parandada või asendada.

JUHTLATI JA SAEKETI ASENDAMINE

Vt leht 282 - 285.

1. Seisake muruniiduk. Kandke kaitsekindaid.
2. Koppla från kedjebromsen.
3. Skruva loss sägklingans låsvred och ta bort drevskyddet.
4. Vötkte saelt ära juhtlatt ja saekett.
5. Rengör undersidan av drevet.
6. För att byta ut klingan mot en ny lossar du skruven som håller kedjespänningsdelen. Ühendage uus juhtlatt keti pinguse reguleersõlmele ja keerake mutter kinni.
7. Kinnitage saelatt ja ketipinguti sõlm kettsaele. Langetage saeleht, nii et poldi saab ketipingutuse sõlmes läbi ava suunata.
8. Saekett peab olema suunatud keti pöörlemise suunda. Vastasel korral pöörake kett ümber.
9. Dra slingan runt drevet. Juhtige keti veo lülid soonde. Vid behov kan du rotera kedjespänningen för att spänna kedjan något vilket kommer att hjälpa till att hålla den på plats.
10. Pange ketiratta kaas tagasi.
11. Reguleerige keti pingus välja. Juhendude osast "Keti pinguse reguleerimine".

ÕHUFILTRI PUHASTAMINE

Vt leht 290.

1. Seisake muruniiduk. Se till att kedjebromsen är i låst läge.
2. Keerake õhufiltri tiibmutter lahti ning võtke kaas ja filterelemendid maha.
3. Eemalda õhufiltri.
4. Puhastage õhufilter tolmust ja mustusest harja abil. Vajadusel eemaldage õhufilter lapiku kruvikeeraja abil ja puhastage sisemus.
5. Pange õhufiltri korpuse kaas oma kohale ja keerake kinni kinnituspupp.

RENGÖRA GNISTSKYDDET

Vt leht 291.

⚠ HOIATUS

Ljuddämparen blir het under och efter användning av produkten. Undvik alarvarliga personskador genom att hålla alla kroppsdelar på säkert avstånd från ljuddämparen under och efter användning.

1. Seisake muruniiduk. Se till att kedjebromsen är i låst läge. Laske summutli jahtuda.
2. Eemaldage kruvi, mis kinnitab summuti kaant ogaplaadi külge, seejärel keerake lahti summutikaane kaks mutrit.
3. Se till att kedjebromsen är i låst läge.
4. Ta ur gnistskyddet. Rengör gnistskyddet med en liten stålborste.
5. Byta ut ljuddämparskyddet. För att byta ut ljuddämparskyddet gör du om dessa steg i omvärd ordning.

⚠ HOIATUS

Den spetsiga bumpen är en säkerhetsdetalj på produkten. Säkra med korrekt skruv efter att ljuddämparskyddet bytts. Om inte instruktionen följs kan det leda till allvarig personskada eller dödsfall.

KETIPIDURI KONTROLLIMINE JA PUHASTAMINE

Vt leht 294.

- Hoidke ketipiduri mehhanism puhas ja pühkige hoovastik kergelt harjaga puhtaks.
- Kontrollige pärast puhastamist ketipiduri toimimist.
- Läs "Användning – Kontrollera och använda kedjebromsen" tidigare i denna bruksanvisning för ytterligare information.

MOOTORI VÕIMSUS JA KARBURAATORI REGULEERIMINE

⚠ HOIATUS

Valesti reguleeritud karburaator võib põhjustada kehavigastusi, surmavaid vigastusi ja seadme kahjustamist. Karburaatori reguleerimiseks andke seade volitatud hoolduskeskusesse.

HOOLDUSPLAAN

Igapäevane kontrollimine	
Kütusesegu	Enne iga kasutuskorda
Saeplaadi määrimine	Enne iga kasutuskorda
Keti pinge	Enne iga kasutuskorda ja korrapäraselt
Sidur paigalseis (kett ei liigu tühikäigul)	Enne iga kasutuskorda

Keti teravus	Enne iga kasutuskorda, välise vaatluse teel
Kahjustunud osade suhtes	Enne iga kasutuskorda
Lahtiste kinnitite suhtes	Enne iga kasutuskorda
Lahtiste osade suhtes	Enne iga kasutuskorda
Keti pidurdamise funktsioon	Enne iga kasutuskorda
Kontrollige, kas on lekkeid	Enne iga kasutuskorda

KONTROLLIGE JA PUHASTAGE

Juhtlatt	Enne iga kasutuskorda
Kogu saag	peale igat kasutuskorda
Õhufilter	Iga 5 töötunni järel*
Ketipidur	Iga 5 töötunni järel*
Kütusfiltrit asendamine	Iga-aastane
Kütusfiltrit asendamine	Iga-aastane

*Töötunnid

JÄÄKRISKID

Isegi siis, kui kultivaatorit kasutatakse kirjeldatud viisil, ei ole võimalik kõrvaldada kõiki jääkriskide mõjureid. Töötamise ajal võivad tekkida järgmised ohud, millele operaator peab pöörama erilist tähelepanu.

- Vibratsioonist põhjustatud kehavigastus. Kasutage töötamiseks õiget seadet, kasutage ettenähtud käepidemeid, piirake tööaega ja kokkupuudet vibratsiooniga.
- Tugev müra võib põhjustada kuulmiskahjustuse. Kandke kuulmiskaitsevahendeid ja piirake müraga kokkupuudet.
- Kokkupuutumine saeketi hammastega (siselõikamisohu).
- Saelati ettenägematu järsk liikumine või saelati tagasilöökk (siselõikamisohu).
- Saeketilt paiskuvad tükid välja (lõikeohu/torkeohu).
- Saetavalt puidult välja paiskuvad tükid (saelõiked, pinnud).
- Saetolmu ja -puru või bensiinimootori heitgaaside sissehingamine.
- Naha kokkupuutumine bensiini/õliga.

RISKI ALANDAMINE

Teadaolevalt võib käsitööriistade kasutamine põhjustada mõnedel inimestel seisundit, mida nimetatakse Raynaud'

EN
FR
DE
ES
IT
NL
PT
DA
SV
FI
NO
RU
PL
CS
HU
RO
LV
LT
ET
HR
SL
SK
BG

sündroomiks. Sümptomidena võib ilmned a sõrmede tuimus ja valkjaks muutumine, mis tavaliselt ilmneb külmast töötamisel. Nende sümptomite puhul tuleb hoiduda külmast ja niiskusest, dieedist ning suitsetamisest ja kasutada õigeid töövõtteid. Vibratsiooni mõju vähendamiseks tuleb rakendada järgmisi abinõusid.

- Külma ilmaga hoidke oma keha soe. Kandke kindaid, et hoida oma käed ja randmed soojad. Uuringud näitavad, et Raynaud's Syndrome ilmneb põhiliselt külma ilmaga.
- Pärast külmast töötamist tehke harjutusi, et verevarustust kiirendada.
- Tehke regulaarselt töovaheaegasid. Piirake tööperioodi pikkust.
- Skyddshandskar finns att köpa hos välsorterade motorsågsförsäljare och är speciellt utformade för motorsågsanvändning, de ger skydd och bra grepp. Handskar tar även bort en del av vibrationseffekten i handtagen. Kindad peavad vastama standardi EN 381-7 nõuetele ja olema CE-märgisega.

Kui ilmnevad haigustunnused, lõpetage kohe töö ja pöörduge arsti poole.

HOIATUS

Seadme pikaajalisel kasutamisel võite saada kehavigastusi ja varasemad vigastused võivad süveneda. Seadme kasutamisel pika aja jooksul tuleb teha korralisi vaheaegasid.

ÕPPIGE OMA TOODET TUNDMA

Vt leht 271.

SEADME OSAD

1. Kett
2. Juhik
3. Eesmine kaitse/Ketipidur
4. Eesmine käepide
5. Õhufiltri kaas
6. Starteri käepide
7. Tagumine käepide
8. Hambuline tugiraud
9. Summuti kaas
10. Kütusepaagi kork
11. Õlikork
12. Süütelüliti
13. Päästiku hoob
14. Päästik
15. Süütekapsel
16. Õhuklapi nupp
17. Universaalvõti
18. Ketiratta kaas
19. Keti piiraja.
20. Keti pinguse reguleernupp
21. Läsved för sägklinga
22. Juhtlati kate

OHUTUST TAGAVAD SEADISED

NÕRGA TAGASILÖÖGIGA SAEKETT

Vähendatud tagasilöögiga saekett loob tingimused, et vähendada tagasilöögi ohtu.

Sügavusmõõdikud iga lõiketera ees aitavad tagasilööki vältida, hoides lõiketera liiga sügavale tungimast. Kasutage ainult tootja poolt ette nähtud juhtlatti ja ketti.

Kui saekette teritatakse, võib tagasilöökk muutuda tugevamaks ning seega tuleb olla eriti ettevaatlik. Oma ohutuse tagamiseks asendage saekett kui selle saagimisvõime langeb.

HAMBULINE TUGIRAUD

Külgeehitatud hambulist tugirauda võib kasutada ka sisselõiget tehes pöördepunktina. See aitab hoida saagi töötamise ajal kindlalt kinni. Saagimise ajal suruge saagi ette, kuni tugiplaadi hambad haakuvad puiduga ja seejärel liigutage tagumist käepidet üles ja alla lõikejoone sihis, see hõlbustab vabastada lõikamisel vallanduvaid pingeid.

JUHIKUD

Generellt har klingor med mindre radie något lägre risk för kickbacks. Kasutage ainult tootja poolt ette nähtud juhtlatti ja ketti. Användning av icke rekommenderad klinga ökar risken för förlorad kontroll under sågning. Kontrollige keti pingust korrapäraselt. Kui lõikate väiksemaid harusid, mis on juhtlatti väiksemad, siis on oht, et kett võib juhtlatti maha tulla kui pinge ei ole nõuetekohane.

KETIPIDUR

Ketipidurite ülesanne on keti liikumine kiiresti peatada. Kui ketipiduri hoob/käekaitse juhiku poole lükata, peaks kett otsekohe peatuma. Ketipidur ei hoi a ära tagasilööki. See vaid langetab kehavigastuse ohtu kui juhtlatti peaks sattuma vastulöögi ajal kokkupuutesse saagija kehaga. Ketipidurit tuleb kontrollida toimimise suhtes alati enne iga kasutuskorda nii lukustatud kui lahti lukustatud olekus.

KETI PIIRAJA.

Kedjefångare förhindrar att sägkedjan kastas tillbaka mot användaren om kedjan skulle lossna eller gå av.

MASINAL OLEVAD SÜMBOLID



Ohutusala neave



Enne seadmega töö alustamist lugege kõik juhised hoolikalt läbi ja pidage kinni hoiatustest ja ohutusega seotud juhustest.



Kandke silma- ja kuulmiskaitsevahendeid ning kiivrit.



Kandke selle toote kasutamisel alati libisemiskindlaid turvajalatsid.



Kandke libisemiskindlaid, tugevdatud kaitsekindaid.



Hoiduge saeketi tagasilöögi eest ja kokkupuutest saelati otsaga.



Hoidke ja kasutage saagi korralikult mõlema käega.



Ärge kasutage saagi ainult ühe käega.



Vastab kõigile eeskirjadele EL-i liikmesriigis, kus toode on ostetud.



Kasutage pliivaba mootorsõidukite bensiini oktaanarvuga 91 ((R+M)/2) või enam.



Kasutage 2-taktilise õhkjahutusega mootori õli.



Segage kütusesegu hoolikalt läbi ja tehke seda ka alati enne tankimist.



Fyll på olja för klinga och kedja varenda gång du fyller på bränsle på produkten.



Sätt kedjebromsen i läget "RUN".



Sätt kedjebromsen i läget "BRAKE".



Lülitage süütevõti asendisse ON (SEES).



Vajutage SÜÜTEKAPSEL 10 korda lõpuni alla.



Seadke õhuklapi hoob asendisse "SULETUD".



Tõmmake starteri nõörast mootori esimese käivitumiseni (mitte üle viie tõmbe).



Seadke õhuklapi hoob asendisse "POOL".



Tõmmake starteri käepidemest kuni mootor käivitub.



Släpp upp reglagespärren och gasreglaget.



Euraasia vastavusmärk



Garanteeritud helivõimsuse tase on 112 dB



Saelati ja keti määre



Blyfri bensiin och 2-taktsolja.



Tööasend



Halvt chokeläge



Asendisse "SULETUD"



Lukk



Lahtikeeramine



Pöörake saeketi pingutamiseks
+ = Keti pingutamine
- = Lossa kedjan



Saeketi liikumissuund
(Markeerung on veoratta kaane all)



Tavarežiim



Külmumisvastane režiim

T

Tühikäigukiiruse reguleerimine

H

Justeringsnål för hög hastighet

L

Justeringsnål för låg hastighet

KASUTUSJUHENDI SÜMBOLID



Segage kütust välitingimustes, kus pole tuleohtu.

EN
FR
DE
ES
IT
NL
PT
DA
SV
FI
NO
RU
PL
CS
HU
RO
LV
LT
ET
HR
SL
SK
BG





Kütuse segamise või tankimise ajal ärge suitsetage.



Eraldi ostetavad osad või tarvikud



Mittekasutatavaid elektritooteid ei tohi visata olmejäätmete hulka. Vaid tuleb viia vastavasse kogumispunkti.



Märkus



Hoiatus!



Kandke kaitseprille ja näomaski.



Kandke turvavesti.



Kasutage jalgade kaitsevahendeid.



Seisake muruniiduk.



Lås filterskyddet.



Lås upp filterskyddet.

Järgnevad märksõnad ja selgitused on mõeldud selle toote kasutamiseks seotud riskitasemete kirjeldamiseks.

⚠ OHT.

Viitab kohe tekkivale ohtlikule situatsioonile, mis, kui ei väldita, lõpeb surma või tõsise vigastusega.

⚠ HOIATUS

Viitab võimalikule ohtlikule situatsioonile, mis, kui ei väldita, võib lõppeda surma või tõsise vigastusega.

⚠ ETTEVAATUST

Viitab võimalikule ohtlikule situatsioonile, mis, kui ei väldita, võib lõppeda väiksemate või keskmiste vigastusega.

ETTEVAATUST

Ilma hoiatussümbolita

Osutab olukorrale, mis võib põhjustada varakahju.

Maksimalni prioriteti u sigurnosti, performansama i pouzdanosti dati su u razvoju Motorna pila s benzinskim motorom.

NAMJENA

Ovaj uređaj namijenjen je samo za korištenje na otvorenom u dobro prozračenom prostoru. Zbog sigurnosnih razloga, proizvod mora biti adekvatno upravljani pomoću dvije ruke u svakom trenutku.

Ovaj proizvod namijenjen je za rezanje grana, stabala, trupaca ili debla do promjera prema duljini vodilice lanca. Namijenjena je samo za rezanje drva. Namijenjena je za korištenje u domaćinstvu od strane odraslih osoba koje su dobile adekvatnu obuku o opasnostima i preventivnim mjerama/radnjama koje treba poduzeti tijekom korištenja. Nemojte koristiti proizvod za bilo koju svrhu koja nije navedena. Nije namijenjen za korištenje u svrhu profesionalne obrade stabala. Proizvod ne smiju koristiti djeca ili osobe koje ne nose odgovarajuću zaštitnu odjeću i obuću.

⚠ UPOZORENJE

Prilikom korištenja proizvoda moraju se slijediti sigurnosna pravila. Radi vaše i sigurnosti ostalih promatrača, prije rada s proizvodom pažljivo i potpuno pročistite ove upute. Trebali prisustvovati profesionalno organiziranom tečaju o sigurnosti u korištenju, preventivnim mjerama, prvoj pomoći i održavanju motornih pila. Molimo vas da čuvate ove upute radi kasnijeg korištenja.

⚠ UPOZORENJE

Pile su potencijalno opasni alati. Nesreće koje uključuju korištenje pile često rezultiraju gubitkom uda ili smrću. Nije opasna samo pila. Padajuće grane, debla ili kotrljajući trupci također mogu ubiti. Oronula ili trula stabla također predstavljaju opasnost. Trebate procijeniti svoje mogućnosti sigurnog dovršetka zadatka. Ako imalo sumnjate, ostavite profesionalcima da obrežu stablo.

OPĆA SIGURNOSNA PRAVILA

- Neke regije imaju pravila koja ograničavaju korištenje proizvoda. Provjerite kod lokalnih tijela za savjet.
- Nikada nemojte dopustiti korištenje ovog proizvoda djeci ili osobama koje nisu upoznate s ovim uputama. Moguće je da lokalni propisi propisuju starosnu dob rukovatelja.
- Osigurajte prije svakog korištenja da svi upravljački elementi i sigurnosni uređaji pravilno funkcioniraju. Ne koristite proizvod ako sklopka „isključeno“ ne zaustavlja motor.
- Nikada ne pokrećite ili pogonite motor u zatvorenom ili slabo ventiliranom području; udisanje ispušnih plinova može usmrtniti.
- Prije svakog korištenja očistite područje rada, zapriječena i neuredna područja rada dovode do nesreća.

- Nosite punu opremu za zaštitu očiju i sluh, jake čvrste rukavice, sigurnosne cipele protiv klizanja kao i zaštitu za glavu dok radite s proizvodom. Koristite masku ukoliko radite u prašini.
- Nemojte nositi široku odjeću, kratke hlače ili nakit bilo kakve vrste.
- Osigurajte dugu kosu na način da je iznad razine ramena kako biste spriječili zahvaćanje u pokretne dijelove.
- Čuvajte se odbačenih, letećih ili padajućih predmeta. Držite sve promatrače (naročito djecu i kućne ljubimce) na udaljenosti ne manjoj od 15m od radnog područja.
- Nikada ne radite s proizvodom u eksplozivnoj ili zapaljivoj atmosferi.
- Čvrsto držite hvat na obje ručke tijekom korištenja proizvoda.
- Budite na oprezu, gledajte to što radite i pri radu s jedinicom koristite zdrav razum. Nemojte raditi s ovim proizvodom kada ste umorni ili pod utjecajem alkohola, droge ili lijekova. Gubitak koncentracije tijekom rada uređaja može dovesti do ozbiljnih osobnih ozljeda.
- Nemojte raditi u slabom osvjetljenju. Operateru treba jasan pogled radnog područja kako bi identificirao potencijalne opasnosti.
- Korištenje zaštite za sluh smanjuje vašu mogućnost da čujete upozorenja (viku ili alarme). Rukovatelj mora obratiti posebnu pozornost na to što se događa u radnom području.
- Rad u blizini sličnim alatom dovodi do opasnosti povreda sluha i mogućim ulaskom drugih osoba u radno područje.
- Zauzmite čvrst stav i ravnotežu. Ne sežite preko određene granice. Naginjanje preko ruba može dovesti do gubitka ravnoteže ili izložiti vrućim površinama i može povećati opasnost povratnog udara.
- Držite sve dijelove tijela dalje od svih pokretnih dijelova.
- Nemojte dodirivati područje oko prigušnika i motora jedinice, ovi dijelovi postaju vrući tijekom rada.
- Prije korištenja provjerite uređaj. Provjerite ispravnost rada svih kontrola uključujući kočnicu lanca. Provjerite sve olabavljene zatezače, osigurajte da su svi štitnici, deflektori i ručke pravilno i čvrsto priključeni. Prije korištenja zamijenite sve oštećene dijelove.
- Nemojte modificirati uređaj ni na koji način ili koristiti dijelove ili dodatni pribor koje nije preporučio proizvođač.

⚠ UPOZORENJE

Ako je proizvod ispao, pretrpio težak udar ili abnormalno vibrira, odmah zaustavite proizvod i provjerite na oštećenje ili identificirajte uzrok vibracija. Svaki oštećeni dio trebao bi pravilno popraviti ili zamijeniti ovlašteni servisni centar.

- Kad miješanje goriva i punjenje spremnika za gorivo, ne pušite i zadržati 10 m od izvora zapaljenja.
- Miješajte i čuvajte gorivo u kanti namijenjenoj za držanje benzina.

- Miješajte gorivo na otvorenome, daleko od bilo kakvih iskri ili plamena. Obrišite razliveno gorivo. Pomaknite se 10 m (30 stopa) dalje od mjesta punjenja prije pokretanja motora.
- Zaustavite uređaj i omogućite mu da se ohladi prije ponovnog punjenja, skladištenja ili prijetoza.
- Zapamtite da pravilno zatvorite sve čepove spremnika goriva/ulja nakon ponovnog punjenja ili miješanja.

SIGURNOSNA UPOZORENJA VEZANO ZA PILU

- Uvijek postavite poklopac štitnika vodilice kada se proizvod ne koristi ili se nosi, ili transportira. Ovo pomaže smanjiti opasnost od slučajnog kontakta s oštricama na lancu. Nosite proizvod za gornju ruku s vodicom lanca okrenutom dalje od tijela.
- Trebate se naviknuti na rad sa svojom novom pilom radeći jednostavne posjekotine na sigurno podloženom drvetu. Ovo uvijek činite kada neko vrijeme niste radili s pilom.
- Režite trupce na konju za rezanje ili postolju kada radite s proizvodom po prvi puta.
- Osigurajte da su svi štitnici, ručke i šiljci odbojnika pravilno pričvršćeni i da su ispravni.
- Osobe koje koriste ovaj proizvod trebaju biti zdrave. Ovaj proizvod je težak, stoga operater mora biti fizički izdržljiv. Operater treba biti oprezan, imati dobar vid, pokretljivost, ravnotežu i spretnost. Ako niste sigurni, ne radite s proizvodom.
- Nemojte stajati na nikakvoj nestabilnoj površini dok koristite proizvod. Ovo može uključiti, ne ne ograničiti se na, ljestve, skele i stabla. Imajte obje ruke na ručkama proizvoda cijelo vrijeme.
- Ne započinjite s radom ako nemate čisto radno područje i planirani put izvlačenja od padajućeg stabla.
- Budite izuzetno pažljivi kad režete debla i grane male veličine jer se sitni dijelovi mogu uhvatiti za lanac i biti odbačeni prema vama ili ugroziti vašu ravnotežu.
- Kad režete granu koja je zategnuta, budite spremni da se brzo udaljite tako da va s ona ne bi udarila kad se zategnutost vlakana u drvetu otpušta.
- Čuvajte se od emisije ispušnih plinova, isparenja od ulja za podmazivanje i od pilotine. Po potrebi nosite masku ili respirator.
- Ne režite vinovu lozu i/ili nisko raslinje (manje od 75 mm u promjeru).
- Uvijek kada radite držite pilu s obje ruke. Čvrsto držite motornu pilu tako da vaši prsti obujme ručke. Desna ruka mora biti na stražnjoj ručki, a lijeva ruka na prednjoj ručki.
- Prije pokretanja alata provjerite da lanac pile ne dodiruje ništa. Uvijek pokrenite uređaj pomoću uključene kočnice lanca (gurnite prema naprijed).
- Ne modificirajte proizvod ni na koji način ili ga ne koristite za pokretanje nekih priključaka ili uređaja koje ne preporučuje proizvođač za vaš proizvod.
- Pored operatera treba postojati komplet za prvu pomoć koji sadrži velike obloge za rane i sredstvo za prizivanje pomoći (npr. zviždaljka). Mnogo veći, sadržajni komplet treba biti također blizu.

- Operater može biti u iskušenju da skine kacigu, ako ne postoji opasnost od pada predmeta na radnom mjestu, ali ne zaboravite da kaciga, osobito s mrežom viziorom, može pomoći smanjiti mogućnost ozljede na licu i glavi, ako dođe do povratnog udara.
- Nepravilno zategnut lanac može iskočiti iz vodilice i dovesti do ozbiljnih ili fatalnih ozljeda. Duljina lanca ovisi o temperaturi lanca i istrošenosti lanca. Često provjeravajte zategnutost.
- Održavajte ručke suhim, čistim i da na njima nema ulja i masti. Umašćene i nauljene ručke su skliske i mogu dovesti do gubitka kontrole.
- Za smanjenje opasnosti od povreda povezanih s dodirrom rotirajućih dijelova, uvijek zaustavite motor, primijenite kočnicu lanca, uklonite žuc svjetlice i provjerite da su svi pokretni dijelovi zaustavljeni prije
 - čišćenje i odblokiranje
 - ostavljanje proizvoda bez nadzora
 - ugradnje ili uklanjanja priključaka
 - provjere, održavanja ili rada na uređaju
- Površina zona rada ovisi o poslu koji trebate obaviti kao i o visini drveta ili komada koji obrađujete. Primjerice, padajuća stabla trebaju veće radno područje od drugih rezanja, npr. rezanja na mjeru itd. Operater treba biti upozoren i imati pod kontrolom sve događaje u području rada.
- Nemojte rezati s tijelom u liniji s vodicom o lancem. Ako dođe do povratnog udara ovo će pomoći spriječiti da lanac dođe u dodir s vašom glavom ili tijelom.
- Nemojte koristiti stražnji i prednji pokret rezanja, pustite da lanac radi. Održavajte lanac oštrim i ne pokušavajte gurnuti lanac kroz rez.
- Ne primjenjujte silu na motornu pilu na kraju rezanja. Spremite se da preuzmete težinu pile kad prođe kroz drvo. Nepoštivanje ove upute može dovesti do mogućih ozbiljnih osobnih ozljeda.
- Ne zaustavljajte pilu usred rezanja. Neka se pila pokreće iako je već uklonjena iz reza.

Osobna zaštitna oprema

Kvalitetna, osobna zaštitna oprema kakvu koriste profesionalci pomaže smanjiti opasnost od ozljeda operatera. Sljedeće predmete treba koristiti prilikom korištenja pile:

Sigurnosna kaciga

- treba biti u skladu s EN 397 i označena CE

Zaštita za sluh

- treba biti u skladu s EN EN 352-1 i označena CE

Zaštita za vid i lice

- treba imati oznaku CE i biti u skladu s EN 166 (za sigurnosno staklo) ili EN 1731 (za mrežne vizire)

Rukavice

- treba biti u skladu s EN 397 i označena CE

Zaštita nogu (navlake preko hlača)

- treba biti u skladu s EN381-5, označena CE i pružati potpunu zaštitu.

Zaštitna obuća za rad s pilom

- treba biti u skladu s EN ISO 20345:2004 i treba

biti označena sa prikazom štitnika za pilu kako bi prikazala da je u skladu s EN 381-3. (Povremeni korisnici mogu koristiti čelične zaštitne čizme sa zaštitnim potkoljenicama koje udovoljavaju normi EN 381-9, ako je tlo ravno i mala je opasnost saplitanja ili zahvaćanja raslinja)

Jakne za rad s pilom za zaštitu gornjeg dijela trupa

- treba biti u skladu s EN EN 381-11 i označena CE

POSTAVLJANJE

UPOZORENJE

Ukoliko je bilo koji dio oštećen ili nedostaje ne koristite ovaj proizvod sve dok se ti dijelovi ne nadomjeste. Nepoštivanje ovog upozorenja može dovesti do ozbiljnih osobnih ozljeda.

SKLAPANJE LANCA PILE I VODILICE

Pogledajte stranicu 273, Slika 5 - 8.

1. Zaustavite uređaj. Nosite zaštitne rukavice.
2. Otpuštanje kočnice lanca.
3. Odvijte gumb za blokiranje vodilice i uklonite pokrov zupčanika.
4. Priključite vodilicu i nateznik lanca na pilu. Spustite vodilicu tako da svornjak prolazi kroz otvor u sklopu vodilice i nateznika lanca.
5. Lanac pile treba gledati u smjeru rotacije lanca. Ako su okrenuti u suprotnom smjeru, okrenite omču koju ste načinili.
6. Postavite omču oko pogonskog zupčanika. Postavite karike za pogon lanca u šinu vodilice. Po potrebi, rotirajte sklop nategnutosti lanca za primjenu napetosti na lanac koji ga drži na mjestu.
7. Vratite poklopac zupčanika.
8. Podesite zategnutost lanca. Pogledajte odlomak „Podešavanje nategnutosti lanca“.

PODEŠAVANJE ZATEGNUTOSTI LANCA

Pogledajte stranicu 286.

1. Neznatno otpustite gumb za blokiranje vodilice zakrećući ga suprotno od smjera kretanja kazaljki na satu.
2. Za povećanje nategnutosti lanca zakrećite prsten za podešavanje natezača lanca u smjeru kretanja kazaljki na satu i povremeno provjeravajte nategnutost. Za smanjenje nategnutosti lanca zakrećite prsten za podešavanje natezača lanca suprotno od smjera kretanja kazaljki na satu i povremeno provjeravajte lanac.
3. Nategnutost lanca je pravilna kada je razmak između rezača na lancu i vodilice između 3 mm i 4 mm. Povucite lanac na sredini donje strane vodilice prema dolje (dalje od vodilice) i izmjerite udaljenost između vodilice i rezača lanca.
4. Pritegnite gumb za blokiranje vodilice okretanjem u smjeru kretanja kazaljki na satu.

NAPOMENA: Temperatura lanca se povećava tijekom uobičajenog rada što uzrokuje isticanje lanca. Redovito kontrolirajte zategnutost lanca i ponovno ga zategnite svaki puta kad treba. Lanac koji je zategnut dok je vruć

može nakon hlađenja biti previše zategnut. Provjerite da je zategnutost lanca točno podešena kao što je specificirano u ovim uputama.

RAD S PROIZVODOM

GORIVO I DOPUNJAVANJE SPREMNIKA

Potpuno sigurno rukovanje gorivom

UPOZORENJE

Prije punjenja uvijek ugasite motor. Nikad ne puniti spremnik alata dok je motor u radu ili dok je još vruć. Udaljite se najmanje 9 m od mjesta gdje ste punili spremnik gorivom prije no što pokrenete motor. Nemojte pušiti! Nepoštivanje ovog savjeta može dovesti do teških tjelesnih ozljeda.

UPOZORENJE

Provjerite da na alatu nema curenja goriva. Ako dolazi do curenja, ispravite curenje prije korištenja uređaja kako biste spriječili požar ili opekotine.

- Uvijek pažljivo rukuje s gorivom; vrlo je zapaljivo.
- Uvijek puniti na otvorenom radi potencijalnih izvora paljenja, nemojte udisati pare goriva.
- Nemojte dopustiti da gorivo ili sredstvo za podmazivanje dođu u dodir s vašom kožom. Ako dođe do kontakta, odmah isperite sapunicom i s dosta vode.
- Držite gorivo i sredstvo za podmazivanje dalje od očiju. Ako vam benzin ili ulje prsnu u oči, odmah ih isperite čistom vodom. Ako je iritacija još uvijek prisutna, odmah konzultirajte liječnika.

Miješanje goriva

- Vaš alat funkcionira s dvotaktnim motorom kojemu je potrebna mješavina benzina i dvosintetiziranog ulja omjer (2%). Miješajte bezolovni benzin i dvosintetizirano ulje u odgovarajućoj posudi posebno namijenjenoj za držanje benzina.
- Motor funkcionira s bezolovnim benzinom za vozila s oktanskim pokazateljem od 91 (R + M)/2 ili više.
- Ne rabite mješavine benzina/ulje koje se prodaju na benzinskim crpkama; posebno mješavine za motore, motorbicikle, itd.
- Koristite visokokvalitetno samomiješajuće ulje za dvotaktne zrakom hlađene motore. Ne koristite automobilsko ulje niti dvotaktno ulje za izvanbrodske motore.
- Pomiješajte 2 % ulja s benzinom. Odnosno u omjeru 50 :1.
- Dobro izmiješajte gorivo prije svakog nadopunjavanja spremnika.
- Miješajte gorivo u malim količinama. Pripremite samo količinu koja je dovoljna za jedan mjesec uporabe. Preporuča se 2-kružno sredstvo za podmazivanje koje sadrži stabilizator goriva.

EN
FR
DE
ES
IT
NL
PT
DA
SV
FI
NO
RU
PL
CS
HU
RO
LV
LT
ET
HR
SL
SK
BG

NAPOMENA: Oštećenje sustava za gorivo ili problemi s radnim svojstvima što je rezultat uporabe oksigenata u gorivu iznad navedenih procenata nisu pokrivena garancijom.

Punjenje spremnika s gorivom

Pogledajte stranicu 273.

- Očistite spremnik oko čepa da se gorivo ni na koji način ne bi onečistilo.
- Lagano olabavite čep goriva.
- Sipajte mješavinu goriva u spremnik s oprezom. Da se ne bi razlijevalo.
- Prije no što ponovno zavijete čep, očistite spoj i osigurajte se da je u dobrome stanju.
- Odmah ponovno postavite na mjesto čep spremnika za gorivo i čvrsto ga stegnite. Obrišite razliveno gorivo.

NAPOMENA: To je normalno za motor ispušta dim tijekom i nakon prve uporabe.

DODAVANJE ULJA ZA PODMAZIVANJE LANCA

Pogledajte stranicu 273.

⚠ UPOZORENJE

Nikada ne radite bez sredstva za podmazivanje lanca. Ako pila radi bez sredstva za podmazivanje, vodilica i lanac mogu biti oštećeni. Stoga je nužno često provjeriti razinu ulja u mjerачu razine ulja i svaki put prije nego što počnete koristiti pilu.

1. Očistite površinu oko čepa za ulje kako biste spriječili onečišćenje.
2. Odvijte i uklonite čep sa spremnika za ulje.
3. Nalijte ulje u spremnik za ulje i pratite mjerач razine ulja. Osigurajte da prilikom punjenja ulja ne ulazi prljavština u spremnik za ulje.
4. Vratite natrag čep za ulje i pritegnite ga. Obrišite vos proliveno gorivo.
5. Jedan puni spremnik za ulje omogućuje vam korištenje pile od 20 - 40 min.

NAPOMENA: Pravilno funkcioniranje sustava za podmazivanje lanca i vodilice normalno ispušta ulje iz lanca tijekom korištenja. Za provjeru funkcionalnosti sustava za podmazivanje lanca i vodilice, usmjerite vrh lanca na balago obojano površinu, poput novinskog papira. Tanka linija ulja treba se pokazati nakon kratkog vremena.

Preporučeno ulje za podmazivanje lanca

- Proizvođač preporučuje korištenje samo Ryobi ulje za podmazivanje pile. (Dostupno od ovlaštenog servisnog centra)

POKRETANJE PROIZVODA

Način pokretanja razlikuje se ovisno o tome je li motor hladan ili topao.

⚠ UPOZORENJE

Stojite s lijeve strane vodilice lanca. Nikad nemojte zajahati motornu pilu ili lanac; neikad se ne naginjite iznad putanje lanca.

- Postavite proizvod na ravno tlo i osigurajte da nema predmeta ili prepreka u blizini koji odmah mogu doći u dodir s vodilicom i lancem.
- Čvrsto držite prednju ručku lijevom rukom i postavite desnu ruku na bazu stražnje ručke.

NAPOMENA: U sljedećoj uputi za pokretanje, kada je poluga čoka povučena u položaj START, gas je podešen za pokretanje. Za ponovno postavljanje gasa u RUN položaj, stinite i potom otpustite sklopku za gas.

Za pokretanje hladnog motora:

Pogledajte stranice 272 - 273.

1. Okrenite prekidač za paljenje u položaj ON (UKLJUČENO).
2. Provjerite je li lanac kočnice u položaju BRAKE tako da je gumete prema naprijed na štitniku poluge/ručke.
3. Pumpajte pumpicu za gorivo 10 puta.
4. Povucite polugu čoka sve do položaja START.
5. Ako je temperatura iznad 10°C, povucite držak startera dok se motor ne počne paliti, ali ne više od tri puta. Ako je temperatura ispod 10°C, povucite držak startera dok se motor ne počne paliti, ali ne više od 5 puta.
6. Gurnite polugu čoka u „polu položaj“. Povucite ručku za pokretanje dok se motor ne pokrene.
7. Otpustite sklopku i stisnite sklopku gasa, potom otpustite sklopku gasa za vraćanje motora u prazan hod.
8. Omogućite proizvodu da se pokreće u praznom hodu 15 - 30 sekunda.
9. Prije ubrzavanja motora ili rezanja drveta, provjerite da je lanac u položaju za „pokretanje“ povlačenjem untagar poluge kočnice lanca/štitnika za ruku.

⚠ UPOZORENJE

Ako ne otpustite otkopac za usporavanje motora dok je kočnica motora zakvačena, možete oštetiti motor. Nikad ne ostavljajte otkopac utisnut dok je kočnica zakvačena.

Za pokretanje toplog motora:

Pogledajte stranicu 281.

1. Okrenite prekidač za paljenje u položaj ON (UKLJUČENO).
2. Provjerite je li lanac kočnice u položaju BRAKE tako da je gumete prema naprijed na štitniku poluge/ručke.
3. Pritisnite pumpicu za gorivo 10 puta.
4. Povucite polugu čoka prema van u položaj „START“ (pokretanje) i potom vratite natrag u položaj „RUN“ (rad).
5. Povucite konop za pokretanje sve dok se motor ne pokrene, no ne više od 5 puta. Otpustite sklopku i stisnite sklopku gasa, potom otpustite sklopku gasa za vraćanje motora u prazan hod. Ako se motor ne pokrene nakon 5 povlačenja, koristite postupak pokretanja hladnog motora.
6. Prije ubrzavanja motora ili rezanja drveta, provjerite da je lanac u položaju za „pokretanje“ povlačenjem untagar poluge kočnice lanca/štitnika za ruku.

PREBACIVANJE IZMEĐU NAČINA RADA

Pogledajte stranicu 287.

Funkcija proizvoda anti-friz sprječava formiranje leda unutar rasplinjača tijekom rada na temperaturama od ≤ 5 °C.

Ventilacijski otvor na desnoj strani poklopca čistača zraka može biti ponovno postavljen kako bi se omogućilo da topli zrak koji se dovodi na motor sprječava formiranje leda unutar rasplinjača.

⚠ UPOZORENJE

Neprebacivanje iz normalnog načina na antifriz način na temperaturama od ≤ 5 °C smanjuje izlaznu snagu motora ili dovodi do kvara motora.

Uvijek imajte na umu da vratite proizvod u normalan način rada kada nema opasnosti od formiranja leda unutar rasplinjača. Neprebacivanje iz antifriz načina u normalni način pri normalnim temperaturama dovodi do kvara motora.

ZAUSTAVLJANJE MOTORA

Otpustite otkopac i sačekajte da se motor zaustavi. Da biste zaustavili motor, stavite sklopku u položaj "O", na ZAUSTAVLJENO. Ne postavljajte motornu pilu na tlo dok se lanac okreće. Za veću sigurnost, zakvačite kočnicu lanca dok ne rabite motornu pilu.

Ako prekidač ne zaustavi motornu pilu, povucite ručicu startera sve dok on sasvim ne izađe (maksimalni stisak) i zakvačite kočnicu lanca kako biste zaustavili motor. Ako prekidač ne omogućava zaustavljanje motorne pile dok je postavljen u položaj isključeno "O", dajte ga na porpavak prije nego što ponovno upotrijebite motornu pilu kako biste izbjegli rad u opasnim uvjetima i teške tjelesne ozljede.

NAPOMENA: Nakon završetka korištenja proizvoda, uvijek otpustite tlak u spremniku tako da olabavite, potom ponovno pritegnete čepove za podmazivanje lanca i goriva. Ostavite da se motor ohladi prije nego što spremite aparat.

DRŽANJE PROIZVODA

Pogledajte stranicu 273.

Uvijek držite pilu vašom desnom rukom na stražnjoj ručki i vašom lijevom rukom na prednjoj ručki. Uvijek uhvatite obje ručke s palčevima i prstima okružujući ručke pile. Osigurajte da vaša lijeva ruka drži ručku tako da je vaša palac u donjem dijelu.

PROVJERAVANJE I RAD KOČNICE LANCA

1. Uključite kočnicu lanca zakretanjem lijeve ruke oko prednje ručke. Korištenjem stražnjeg dijela ruke, pritisnite polugu kočnice lanca/štitnika za ruku prema šipki dok se lanac istovremeno brzo okreće. Pazite da cijelo vrijeme obje ruke držite na ručkama proizvoda.
2. Vratite kočnicu lanca natrag u položaj RUN (Pokreni) hvatanjem gornjeg dijela kočnice lanca/štitnika za ruku i povlačenjem prema prednjoj ručki dok ne čujete klik.

⚠ UPOZORENJE

Ukoliko kočnica lanca odmah ne zaustavi lanac, ili ukoliko se kočnica lanca ne vrati u položaj „run“ (uključeno) bez pomoći, odnesite pilu u ovlaštenu servis radi opravke.

⚠ UPOZORENJE

Kada je sklopka gasa otpuštena i motor je pokrenut u praznom hodu, pila se ne smije pomicati. Ako se nastavi pokretati može doći do ozbiljnih ozljeda operatera. Nemojte koristiti proizvod, vratite ga u ovlaštenu servisni centar za profesionalno podešavanje.

PROVJERA SPOJKE

1. Isključite kočnicu lanca povlačenjem poluge kočnice lanca/štitnika za ruku prema prednjoj strani ručke sve dok ne čujete klik.
2. Pustite motor u praznom hodu. Uvjerite se da pila ne rotira. Ako motorna pila okreće dok radi na praznom hodu, spojka može oštetiti. Nemojte koristiti uređaj. Vratite ga ovlaštenom servisnom centru za stručno podešavanje.
3. Otpustite sklopku gasa do pola i pokrećite proizvod na srednjoj brzini. Ako spojka radi dobro, lanac se treba lagaano pokretati.

Uzroci i mjere operatera za sprečavanje povratnog udara:

Može doći do odskakivanja ako kraj vodilice lanca do-e u dodir s nekim predmetom ili ako se lanac priklješti i blokira u drvetu tijekom rezanja.

Dodir u nekim slučajevima može dovesti do iznenadne povratne reakcije, odbacivanja vodilice lanca prema gore i unatrag prema operateru.

Prignječenje lanca pile uzduž gornje strane vodilice može brzo gurnuti vodilicu unatrag prema rukovatelju.

Neka od ovih reakcija može izazvati da izgubite kontrolu uređaja što može dovesti do ozbiljnih osobnih ozljeda. Nemojte se pouzdati samo u zaštitu koja je integrirana u motornu pilu. Morate poduzeti i dodatne mjere kako biste izbjegli opasnost od nezgoda i ozljeda.

Povratni udar je rezultat nepravilnog korištenja i/ili nepravilnih postupaka rukovanja ili uvjeta i može se izbjeći tako da se poduzmu pravilne mjere opreza navedene u nastavku:

- **Održavajte čvrsti stisak, s palčevima i prstima koji okružuju ručke pile, s obje ruke na pili i u položaju tijela i ramena koji vam omogućuje otpor silama povratnog udara.** Ako su poduzete pravilne mjere opreza sile povratnog udara mogu biti kontrolirane od strane operatera. Nemojte ispuštiti pilu.
- **Nemojte se nagnjati preko ruba i nemojte rezati iznad visine ramena.** Ovo pomaže u sprečavanju nenamjernih dodira i omogućuje bolju kontrolu pile u neočekivanim situacijama.
- **Koristite samo zamjenske vodilice i lance navedene od proizvođača.** Nepravilna zamjena vodilica ili lanaca može dovesti do puknuća lanca i/ili povratnog udara.
- **Slijedite upute proizvođača za održavanje lanca pile.** Smanjenje visine limitatora dubine može dovesti do povećanja povratnog udara.

GURANJE I POVLAČENJE

Pogledajte stranicu 279.

Reakcijska snaga uvijek se ostvaruje u suprotnom smjeru

EN
FR
DE
ES
IT
NL
PT
DA
SV
FI
NO
RU
PL
CS
HU
RO
LV
LT
ET
HR
SL
SK
BG

od smjera okretanja lanca. Dakle, operater mora biti spreman za kontrolu tendencije uređaja povlačenje dalje (prema naprijed) prilikom rezanja na donjem rubu vodilice i pritiska unatrag (prema operateru) prilikom rezanja uz gornji rub.

ZAGLAVLJENJE PILE U REZU

Zaustavite pilu i osigurajte je. Ne pokušavajte silom izvući lanac i vodilicu iz reza jer će to dovesti do pucanja lanca koji se može okrenuti natrag i udariti operatera. Do ove situacije obično dolazi jer je drvo krivo poduprto i rez se prisiljava da se zatvori pod pritiskom čime štapa oštricu. Ako podešavanje potporna ne oslobodi vodilicu i lanac, koristite drvene klinove ili polugu za otvaranje reza i oslobađanje proizvoda. Nikada ne pokrećite pilu ako je vodilica već u rezu ili usjeku.

UPUTE PODRAZUMIJEVAJU PRAVILNE TEHNIKE OSNOVA OBARANJA, OBREZIVANJA I REZANJA U KOSO

Razumijevanje sila u drvetu

Kada razumijete smjerove tlaka i stresa unutar drveta, možete smanjiti „prignječenja“ ili ih očekivati tijekom rezanja. Naprezanja u drvetu znače da se vlakna razdvajaju te da ako režete u ovom području „usjek“ ili rez se može otvoriti jer pila prolazi kroz njega. Ako je trupac oslonjen na konju za rezanje, a kraj visi neoslonjen preko ruba, dolazi do naprezanja na gornjoj površini jer težina prekomjernog vješanja napreže vlakna trupaca. Isto tako, donja strana trupca će biti pod pritiskom i vlakna se guraju zajedno. Ako režete u ovom području usjek će nastojati da se zatvori tijekom rezanja. Ovo će prignječiti oštricu.

Obaranje stabala

Pogledajte stranicu 277 - 278.

Kada se radovi rezanja trupca na određenu duljinu i obaranje istovremeno izvode od strane dvije ili više osoba, radovi obaranja trebaju biti odvojeni od radova rezanja trupca na određenu duljinu na udaljenosti od najmanje dvije duljine visine stabla koje se obara. Stabla se ne smiju obarati na način da dovedu u opasnost bilo koju osobu, udare bilo koju komunalnu uslužnu liniju ili uzrokuju neku štetu na vlasništvu. Ako stablo dođe u kontakt s bilo kojom komunalnom uslužnom linijom, odmah treba obavijestiti nadležnu komunalnu službu.

Ako je teren na padini, uvijek budite na višem dijelu terena jer se stablo može otkrotljati ili skliznuti niz padinu kad se obori.

Put za uzmak treba planirati i po potrebi očistiti prije nego rezanje započne. Put za uzmak treba se protezati unatrag i dijagonalno na stražnju liniju očekivanog pada.

Prije nego obaranje započne, za ocjenu kuda bi stablo moglo pasti uzмите u obzir prirodno naginjanje stabla, lokaciju većih grana i smjer vjetra.

Uklonite blato, kamenje, koru drveta, čavle, spojnice i žicu sa stabla.

Ne pokušavajte obrezati stablo koje je trulo ili oštećeno od vjetra, vatre, munje itd. Ovo je izuzetno opasno i to trebaju izvoditi samo profesionalni drvosječe.

- Urezivanje podsijecanjem

Pogledajte stranicu 277 - 278.

Napravite urez od 1/3 promjera stabla okomito na

smjer pada. Najprije učinite donji vodoravni urez. Ovo pomaže da kada napravite drugi urez izbjegnute prignječenje lanca pile ili vodilice.

- Stražnji rez za obaranje

Pogledajte stranicu 277 - 278.

Učinite stražnji rez za obaranje najmanje 50 mm/2 više od vodoravnog reza urezivanja. Neka stražnji rez za obaranje bude paralelan na vodoravni rez urezivanja. Napravite stražnji rez za obaranje tako da ostane dovoljno drveta da djeluje kao zglob. Drveni zglob stabla drži stablo od uvrtanja i padanja u krivom smjeru. Nemojte rezati kroz zglob.

Kako se rez za obaranje bliži prema zglobu, stablo počinje padati. Ako postoji ikakva šansa da stablo možda ne padne u željenom smjeru ili se možda zaljulja unazad i zahvati lanac pile, prestanite rezati prije završetka stražnjeg reza za obaranje i upotrijebite drvene, plastične ili aluminijske klinove kako biste otvorili rez i pustili stablo uzduž željene linije pada.

Kada stablo počne padati uklonite pilu iz reza, zaustavite motor, odložite pilu i povucite se planiranim putem. Pazite na padajuće grane iznad glave i gledajte gdje stajete.

Rezanje potpornog korijenja

Pogledajte stranicu 278.

Potporno korijenje je veliko korijenje koje viri iz stabla drveta iznad zemlje. Odrežite velike korjene prije nego što počnete s obaranjem. Prvo načinite vodoravni usjek u potpornom korijenu, a zatim okomiti. Oslobodite tako izrezani dio iz zone rada. Nastavite s obaranjem nakon što ste uklonili potporno korijenje.

Rezanje trupca na određenu duljinu

Pogledajte stranicu 279.

Trupci se režu na određene duljine. Vrlo je važno da ste sigurni da je vaše uporište čvrsto i da je vaša težina jednako raspoređena na oba stopala. Kada je to moguće, trupac bi trebalo podignuti i poduprijeti granama, trupcima ili klinovima. Za lakše rezanje slijedite jednostavne upute: Kada je trupac podložen uzduž cijele duljine, reže se s gornje strane (preko trupca).

Kada je trupac podložen s jednog kraja, reže se 1/3 promjera od donje strane (ispod trupca). Potom izvršite završni rez preko trupca kako biste susreli prvi rez.

Kada je trupac podložen s oba kraja, reže se 1/3 promjera od gornje strane (ispod trupca). Potom izvršite završni rez s donje strane manje 2/3 kako biste susreli prvi rez.

Kada režete trupac na kosini, uvijek stanite na gornju stranu trupca. Kada „režete kroz trupac“, za održavanje potpune kontrole otpustite pritisak rezanja blizu kraja reza bez opuštanja zahvata na ručkama pile. Ne dozvolite da lanac dodiruje zemlju. Nakon dovršetka reza pričekajte da se zaustavi lanac pile prije nego maknete pilu. Prije prebacivanja sa stabla na stablo uvijek zaustavite motor.

Obrezivanje stabla

Pogledajte stranicu 280.

Obrezivanje je uklanjanje grana s palog stabla. Prilikom obrezivanja ostavite velike niže grane da podupiru trupac sa zemlje. Uklonite male grane u jednom rezu. Grane koje

su zategnute treba rezati odozdo prema gore kako bi se izbjeglo zahvaćanje lanca pile.

Rezanje stupova

Pogledajte stranicu 280.

Savijeno šiblje je grana, panj bez korjena ili grm koji je savijen zbog nekog drugog komada drveta, tako da se naglo otpušta kad odrežemo ili uklonimo komad tog drveta koji ga drži.

Panj bez korijena oborenog stabla vrlo se lako može odvojiti od debla i vratiti u okomit položaj tijekom rezanja kako bi ga odvojio od trupa. Pazite na savijeno šiblje, opasno je. Nemojte pokušavati rezati balvane ili panjeve koji su pod tlakom osim ako niste profesionalno obučeni i kompetentni za to.

PRIVEZOVI I SKLADIŠTENJE

- Zaustavite motor, uključite kočnicu lanca, odspojite svječicu i omogućite mu da se ohladi prijespremanja ili transporta.
- Očistite svaki strani materijal s uređaja.
- Naspite svo preostalo gorivo u spremniku u kanticu posebno namijenjenu za držanje benzina. Zapamtite da pravilno ponovno postavite i pritegnete čep za mješavinu goriva.
- Pustite motor da se okreće dok se sam ne zaustavi. To omogućava uklanjanje svog goriva koje bi moglo ishlapati i ostaviti smolasti talog u krugu.
- Naspite svo ulje za vodilicu i lanac u kanticu posebno namijenjenu za držanje ulja. Zapamtite da pravilno ponovno postavite i pritegnete čep za podmazivanje lanca.
- Prije spremanja uređaja ili tijekom transporta uvijek postavite štitnik vodilice.
- Skladištite ga na suhom i dobro ventiliranom mjestu koje nije pristupačno djeci. Nemojte ju ostavljati u blizini korozivnih agenasa kao ni vrtnih kemijskih proizvoda ili soli za odmrzavanje. Ne ostavljajte na otvorenom.
- Kada nosite proizvod na kratku udaljenost (od jednog radnog mjesta na drugo), uvijek primijenite kočnicu lanca tako da je lanac pile blokiran od pomicanja.
- Prilikom transporta proizvoda, osigurajte ga protiv pomicanja ili pada kako biste spriječili povrede osoba ili oštećenja na proizvodu.
- Nikada nemojte nositi ili transportirati proizvod dok je pokrenut.

Poštujte nacionalne i lokalne propise koji se odnose na odlaganje i rukovanje gorivom. Možete rabiti preostalo gorivo kod drugog alata koji ima dvotaktni motor.

ODRŽAVANJE

Uvijek proizvod održavajte u dobrom radnom stanju.

⚠ UPOZORENJE

Koristite samo originalne zamjenske dijelove, dodatni pribor i priključke od proizvođača. Nepoštivanje ovih uputa može dovesti do mogućih ozljeda, loše učinkovitosti i može dovesti do poništenja jamstva.

⚠ UPOZORENJE

Servisiranje iziskuje krajnju pažnju i znanje i treba da ga vrši samo kvalificirani serviser. Za servis i popravak trebate odnijeti proizvod u najbliži ovlašten servisni centar. Prilikom servisiranja koristiti identične zamjenske dijelove.

⚠ UPOZORENJE

Prije pregledavanja, čišćenja ili servisiranja proizvoda, zaustavite motor, uključite kočnicu lanca, odspojite kabel svječice sa svječice. Nepoštivanje ove upute može dovesti do teških tjelesnih ozljeda ili velike materijalne štete.

- Možete izvršiti podešavanja i popravke koji su opisani u ovom priručniku. Za druge popravke, obratite se ovlaštenom servisnom agentu.
- Posljedice nepravilnog održavanja mogu izazvati da kočnica lanca i druge sigurnosne funkcije ne funkcioniraju ispravno, čime se povećava mogućnost ozbiljne ozljede. Održavajte svoju pilu profesionalno i sigurno.
- Oštrenje lanca pile je zahtjevan zadatak. Stoga proizvođač preporučuje da istrošeni ili tupi lanac bude zamijenjen s novim, koji je dostupan u ovlaštenom servisnom centru. Broj dijela dostupan je u tablici specifikacija proizvoda u ovom priručniku.
- Slijedite upute za podmazivanje i provjeru zategnutosti i podešavanje lanca.
- Nakon svakog korištenja proizvod obrišite sa suhom mekom krpom.
- Često provjeravajte sve matice i zavrtnje da li su dobro pritegnuti kako biste bili sigurni da je proizvod u sigurnom radnom stanju. Svaki oštećeni dio trebao bi pravilno popraviti ili zamijeniti ovlašten servisni centar.

ZAMJENA VODILICE I LANCA PILE

Pogledajte stranicu 282 - 285.

1. Zaustavite uređaj. Nosite zaštitne rukavice.
2. Otpuštanje kočnice lanca.
3. Odvijte gumb za blokiranje vodilice i uklonite pokrov zupčanika.
4. Uklonite vodilicu i lanac pile s uređaja.
5. Očistite donju stranu zupčanika.
6. Za zamjenu vodilice s novom, otpustite vijak sklopa za zatezanje lanca. Montirajte sklop za zatezanje lanca na novu vodilicu i pritegnite vijak.
7. Priključite vodilicu i nateznic lanca na pilu. Spustite vodilicu tako da svornjak prolazi kroz otvor u sklopu vodilice i nateznika lanca.
8. Lanac pile treba gledati u smjeru rotacije lanca. Ako su okrenuti u suprotnom smjeru, okrenite omču koju ste načinili.
9. Postavite omču oko pogonskog zupčanika. Postavite karike za pogon lanca u šinu vodilice. Po potrebi, rotirajte sklop nategnutosti lanca za primjenu napetosti na lanac koji ga drži na mjestu.
10. Vratite poklopac zupčanika.
11. Podesite zategnutost lanca. Pogledajte odlomak „Podešavanje nategnutosti lanca“.

ČIŠĆENJE ZRAČNOGA FILTRA

Pogledajte stranicu 290.

1. Zaustavite uređaj. Provjerite je li kočnica lanca u zaključanom položaju.
2. Odvrtite blokirni gumb na poklopcu filtera za zrak i uklonite ga iz proizvoda.
3. Uklonite filter za zrak.
4. Uklonite prašinu i prljavštinu na filteru za zrak s četkom. Po potrebi razdvojite filter za zrak i oštricom odvijaća očistite filter
5. Ponovno postavite poklopac filtera i pritegnite blokirni gumb.

ČIŠĆENJE PRIGUŠNIKA ISKRE

Pogledajte stranicu 291.

⚠ UPOZORENJE

Prigušnik je vruć tijekom i nakon rada proizvoda. Za izbjegavanje ozbiljnih ozljeda, držite sve dijelove tijela dalje od prigušnika tijekom i nakon rada.

1. Zaustavite uređaj. Provjerite je li kočnica lanca u zaključanom položaju. Ostavite da se prigušivač ohladi.
2. Uklonite vijak koji drži poklopac prigušivača na šiljcima odbojnika, a zatim uklonite dvije matice na poklopcu prigušivača.
3. Uklonite poklopac prigušnika.
4. Izvadite prigušnik iskre. Očistite zaslon prigušnika iskre s malom žičanom četkom.
5. Ponovno postavite poklopac zupčanika. Za ponovno postavljanje poklopcu prigušnika, izvršite korake obrnutim redoslijedom.

⚠ UPOZORENJE

Odbojnik sa šiljcima je sigurnosna funkcija na proizvodu. Pričvrstite ga s točnim vijkom nakon ponovnog postavljanja poklopcu prigušnika. Nepoštivanje ovih uputa možda dovesti do ozbiljnih ozljeda ili smrti.

PROVJERITE I OČISTITE KOČNICU LANCA

Pogledajte stranicu 294.

- Uvijek održavajte mehanizam kočnice lanca čistim tako da lagano očetkate kanale od prašine.
- Uvijek nakon čišćenja provjerite rad kočnice lanca.
- Pogledajte „Rad - provjera i rad kočnice lanca“ u ovom priručniku za dodatne informacije.

PODEŠAVANJE BRZINE MOTORA I RASPLINJAČA

⚠ UPOZORENJE

Nepravilno podešenje rasplinjača može povećati rizik od ozljeda, nesreća ili oštećenja proizvoda. Za podešenje rasplinjača, donesite proizvod u ovlaštenu servisnu centar.

PLAN ODRŽAVANJA

Svakodnevna provjera	
Mješavina goriva	Prije svakog korištenja
Podmazivanje vodilice	Prije svakog korištenja
Zategnutost lanca	Prije svakog korištenja i često
Angažman spojke (lanac nije pokrenut u praznom hodu)	Prije svakog korištenja
Oštrina lanca	Prije svakog korištenja, vizualna provjera
Oštećenje pojedinih dijelova	Prije svakog korištenja
Labavi pričvršćivači	Prije svakog korištenja
Labavi pojedini dijelovi	Prije svakog korištenja
Funkcija kočnice lanca	Prije svakog korištenja
Radi curenja goriva	Prije svakog korištenja

PREGLEDATI I OČISTITI

Vodilica	Prije svakog korištenja
Kompletna pila	nakon svake uporabe
Zračni filter	Svakih 5 sati*
Kočnica lanca	Svakih 5 sati*
Zamijeniti filter goriva	Godišnje
Zamijeniti filter goriva	Godišnje

*Sati rada

OSTALE OPASNOSTI

Čak i kad je proizvod korišten kao što je prethodno opisano, još uvijek nije moguće potpuno isključiti ostale čimbenike opasnosti. Može doći do sljedećih opasnosti prilikom korištenja i operater mora obratiti posebnu pozornost kako bi izbjegao sljedeće:

- Ozljede uzrokovane vibracijom. Uvijek koristite pravi alat za posao, koristite označenu kopču i ograničite radno vrijeme i izloženost.
- Izlaganje buci može izazvati povredu sluha. Nosite zaštitu za sluh i ograničite izloženost.
- Dodir s izloženim zubom pile na lancu pile (opasnost od porezotina).
- Nepredviđena, nenadana kretnja ili povratni udar vodilice lanca (opasnost od porezotina).
- Dijelovi izbačeni iz lanca pile (opasnost od porezotina).

- Izbacivanje komada izratka (drveno iverje, odlomci).
- Udisanje piljevine i čestica ili ispušnih plinova benzinskog motora.
- Dodir kože s gorivom/uljem.

SMANJENJE OPASNOSTI

Prijavljeno je da vibracije alata koje se drži u ruci kod određenih pojedinaca mogu doprinijeti stanju pod nazivom Raynaud's Syndrome. Simptomi mogu uključivati trnce, ukočenost i bjelinu prstiju, obično uočljivo po izlaganju hladnoći. Smatra se da nasljedne osobine, izlaganje hladnoći i vlazi, dijeta, pušenje i radni postupci pridonose razvoju ovih simptoma. Postoje mjere koje operator može poduzeti kako bi smanjio moguće učinke vibracije:

- Održavajte svoje tijelo toplim u hladnim vremenskim uvjetima. Kad radite s proizvodom nosite rukavice kako biste ruke i zglobove održavali toplima. Prijavljeno je da je hladnoća glavni čimbenik koji doprinosi Raynaud's Syndrome.
- Nakon svakog perioda rada vježbajte kako biste povećali cirkulaciju krvi.
- Uzimajte česte stanke u radu. Ograničite količinu izlaganja po danu.
- Zaštitne rukavice dostupne od dobavljača opreme profesionalnih pila su posebno dizajnirane za pilu, te pružaju zaštitu i dobro držanje. Rukavice također smanjuju učinak vibracija ruku. Ove rukavice trebaju biti u skladu s EN381-7 i moraju biti označene CE.

Ako osjetite neke od simptoma ovog stanja, odmah prekinite korištenje i obratite se svome liječniku vezano uz ove simptome.

⚠ UPOZORENJE

Povrede mogu biti uzrokovane ili zadobivene produljenim korištenjem alata. Kada koristite bilo koji alat dulje vremena, osigurajte da uzimate povremene stanke.

UPOZNAJTE SVOJ PROIZVOD

Pogledajte stranicu 271.

DIJELOVI

1. Lanac
2. Vodilica lanca
3. Prednji štitnik za ruku/kočnica lanca
4. Prednja ručka
5. Pokrov filtra za zrak
6. Drška startera
7. Stražnja ručka
8. Odbojni zupci
9. Poklopac prigušivača
10. Čep spremnika za gorivo
11. Čep spremnika za ulje
12. Prekidač za paljenje
13. Blokada otonca
14. Otonac akceleratora
15. Pumpica za gorivo
16. Ručica startera
17. Kombinirani ključ

18. Pokrov zupčanika
19. Hvatač lanca
20. Prsten za podešavanje natezača lanca
21. Gumb za blokiranje vodilice
22. Pokrov vodilice lanca

SIGURNOSNI UREĐAJI

LANAC SA SLABOM TENDENCIJOM ODSKAKIVANJA

lanac pile za smanjeni udar pomaže smanjenju mogućnosti povratnog udara.

Limitatori dubine koji se nalaze na prednjoj strani svakog zupca mogu smanjiti snagu odskakivanja te se tako izbjegava da zupci pređuboko uđu u zonu odskakivanja. Koristite samo zamjenske vodilice i lance navedene od proizvođača.

Udvostručite oprez nakon što ste naoštrili lanac vaše motorne pile jer brušenje čini lanac manje otpornim na odskakivanje. Iz sigurnosnih razloga, zamijenite lanac pile kada se smanji rezna učinkovitost.

ODBOJNI ZUPCI

Integralni odbojni zupci mogu se koristiti za navođenje (središnja točka) kod prvog reza. Pomaže održati tijelo pile stabilnim tijekom rezanja. Prilikom rezanja, gurnite uređaj prema naprijed dok se šiljci ne uđu koru drveta, a zatim pomicanjem stražnje ručke prema gore ili prema dolje u smjeru rezanja pomaže olakšati tjelesni napor rezanja

VODILICA LANCA

Općenito, vodilice s malim promjerom vrha imaju više mogućnosti za povratni udar. Koristite samo zamjenske vodilice i lance navedene od proizvođača. Korištenje nepreporučene vodilice povećava opasnost od gubitka kontrole tijekom rezanja. Redovito provjeravajte zategnutost lanca. Kada režete manje grane (manje od pune duljine vodilice) lanac će vjerojatno iskočiti ako napetost nije pravilna.

KOČNICA LANCA

Kočnica lanca osmišljena je kako bi se brzo moglo zaustaviti okretanje lanca. Lanac se treba zaustaviti odmah nakon što se poluga kočnice/štitnik za ruku gurne prema naprijed. Kočnica lanca ne sprječava učinak odskakivanja. To samo smanjuje rizik od ozljede ako lanac dođe u kontakt s tijelom operatera tijekom događaja povratnog udara. Kočnicu lanca treba ispitati prije svakog korištenja za pravilan rad kako u pokrenutom tako i u položaju kočenja.

HVATAČ LANCA

Hvatač lanca sprječava da lanac bude odbačen natrag prema operateru ako lanac postane prelabav ili se slomi.

SIMBOLI NA PROIZVODU



Sigurnosno upozorenje



Pročitajte i razumite sve upute prije rada s proizvodom, slijedite sva upozorenja i sigurnosne upute.



Nosite zaštitu za vid, sluh i glavu



Nosite obuću protiv klizanja prilikom korištenja ovog proizvoda.



Nosite zaštitne rukavice velike debljine koje se ne klizu.



Pazite na povratni udar lanca pile i izbjegavajte kontakta s vrhom vodilice.



Držite i rabite motornu pilu dvijema rukama.



Ne upotrebljavajte motornu pilu držeći je samo s jednom rukom.



Ovaj alat usklađen je sa svim normama i propisima zemlje Europske unije u kojoj je kupljen.



Rabite bezolovni benzin namijenjen automobilima s oznakom oktana od 91 ((R+M)/2) ili većom.



Koristite 2-taktno ulje za motore hlađenje zrakom.



Miješajte mješavinu goriva temeljito te svaki puta prije ponovnog punjenja.



Dodajte ulje za vodilicu i lanac svaki puta kada dodavata gorivu u proizvod.



Postavite kočnicu lanca u položaj RUN.



Postavite kočnicu lanca u položaj BRAKE.



Okrenite prekidač za paljenje u položaj ON (UKLJUČENO).



Pumpajte pumpicu za gorivo 10 puta.



Postavite polugu čoka u položaj čoka "FULL" (PUNO).



Povucite ručicu lansera (ne više od pet puta) sve dok ne čujete da se motor pokrenuo.



Postavite polugu čoka u položaj čoka "HALF" (POLA).



Povucite ručku za pokretanje dok se motor ne pokrene.



Otpustite sklopku i sklopku gasa.



EurAsian znak conformnosti



Jamčena razina zvučne snage 112 dB.



Sredstva za podmazivanje lanca i vodilice



Bezolovni benzin i 2-taktno ulje.



Položaj uključeno



Pola položaja čoka



Položaj čoka "FULL" (PUNO)



Brava



Otključavanje



Rotirajte kako biste podesili nategnutost lanca
+ = Pritegnite lanac
- = Olabavite lanac



Pomicanje smjera lanca (Označeno ispod poklopca zupčanika)



Normalni način rada



Antifriz način rada

T

Podešavanje praznog hoda

H Iгла за podešavanje velike brzine

L Iгла за podešavanje male brzine

SIMBOLI U OVOM PRIRUČNIKU



Miješajte gorivo na otvorenome, daleko od bilo kakvih iskri ili plamena.



Nemojte pušiti dok miješate gorivo ili punite spremnik s gorivom.



Dijelovi ili pribor prodan odvojeno



Otpadni električni proizvodi ne treba da se odlažu s otpadom iz domaćinstva. Molimo da recikirate gdje je to moguće.



Napomena



Upozorenje!



Nosite sredstva za zaštitu vida i lica.



Nosite zaštitu za gornji dio trupa.



Nosite sredstva za zaštitu nogu.



Zaustavite uređaj.



Zaključavanje poklopca za pristup filtru.



Otključavanje poklopca za pristup filtru.

Sljedeće signalne riječi i značenja namijenjeni su objašnjenju razina opasnosti koje su vezane uz ovaj proizvod:

OPASNOST

Ukazuje na neposrednu opasnu situaciju, koja, ukoliko se ne izbjegne, može rezultirati smrću ili opasnim povredama

UPOZORENJE

Ukazuje na moguću opasnu situaciju, koja, ukoliko se ne izbjegne, može rezultirati smrću ili opasnim povredama

UPOZORENJE

Ukazuje na moguću opasnu situaciju, koja, ukoliko se ne izbjegne, može rezultirati manjim ili blažim povredama

UPOZORENJE

Bez sigurnosnog simbola upozorenja

Naznačuje situaciju koja može rezultirati oštećenjem imovine.

EN
FR
DE
ES
IT
NL
PT
DA
SV
FI
NO
RU
PL
CS
HU
RO
LV
LT
ET
HR
SL
SK
BG

Pri snovanju vašega Bencinska verižna žaga smo največ pozornosti namenili varnosti, učinkovitosti in zanesljivosti.

NAMEN UPORABE

Izdelek je namenjen le za uporabo na prostem in v dobro zračenih prostorih. Iz varnostnih razlogov morate izdelek v vsakem trenutku imeti pod nadzorom z obema rokama.

Izdelek je namenjen žaganju vej, debel, hlodov in tramov s premerom, ki ga določa dolžina meča. Namenjena je zgolj za žaganje lesa. Namenjen je le domači uporabi, uporabljajo pa ga lahko odrasle osebe z ustreznim usposabljanjem o nevarnosti in preventivnih ukrepih/dejanjih, ki jih je treba upoštevati pri uporabi.

Izdelka ne uporabljajte drugače, kot je navedeno zgoraj. Izdelek ni namenjen za uporabo v profesionalne namene obdelovanja dreves. Izdelka ne smejo uporabljati otroci ali osebe, ki ne nosijo ustreznih osebne varovalne opreme in oblačil.

⚠ OPOZORILO

Med uporabo stroja upoštevajte varnostna navodila. Preden začnete uporabljati izdelek, morate za vašo varnost in varnost prisotnih v celoti prebrati in razumeti ta navodila. Udeležite se strokovnega varnostnega usposabljanja glede uporabe, preventivnih ukrepov, prve pomoči in vzdrževanja verižnih žag. Prosimo, shranite ta navodila za kasnejšo rabo.

⚠ OPOZORILO

Verižne žage so nevarna orodja. Pri nesrečah z verižno žago si ljudje običajno odrežejo ude ali pa so nesreče celo smrtno. Nevarna pa ni le verižna žaga. Smrtno nevarno so tudi padajoče veje in drevesa ter kotaleči se hlodi. Dodatno nevarnost predstavlja tudi oslABLJENO ali nagnito drevo. Ocenite morate svoje zmožnosti za varno dokončanje dela. Če ste v dvomih, naj vam pomaga strokovnjak.

SPLOŠNA VARNOSTNA OPOZORILO

- Predpisi nekaterih regij omejujejo uporabo tega izdelka. Za nasvet se obrnite na lokalne oblasti.
- Izdelka nikoli ne smejo uporabljati otroci ali osebe, ki niso seznanjene z navodili za uporabo. Lokalni predpisi se morda nanašajo tudi na minimalno starost upravitelja.
- Pred vsako uporabo zagotovite, da vse kontrole in varnostne naprave delujejo pravilno. Izdelka ne uporabljajte, če stikalo za izklop ne zaustavi motorja.
- Naprave nikoli ne zaganjajte v zaprtih ali slabo zračenih prostorih; vdihavanje izpušnih plinov je lahko smrtonosno.
- Pred vsako uporabo očistite delovno območje, saj lahko v razmetanem in neurejenem delovnem območju pride do nesreč.
- Med delovanjem izdelka uporabljajte vso zaščito za oči in ušesa, močne in trpežne rokavice, varnostno obutev nedrsečimi podplati ter zaščito glave. Če je območje

prašno, uporabljajte dihalno zaščito.

- Ne nosite ohlapnih oblačil, kratkih hlač ali kakršnega koli nakita.
- Dolge lase si spnite nad rameni in tako preprečite njihovo ujetje v premikajoče se dele.
- Pazite na izvržene, leteče ali padajoče predmete. Keep all bystanders, children, and animals at least 15 m away from work area.
- Izdelka nikoli ne uporabljajte v eksplozivnem ali vnetljivem ozračju.
- Med uporabo ves čas trdno držite za ročaje.
- Med uporabo enote bodite pozorni, spremljajte potek dela in uporabljajte zdrav razum. Izdelka ne uporabljajte, če ste utrujeni, bolni ali pod vplivom alkohola, drog ali zdravil. Padec koncentracije pri uporabi naprave lahko privede do hudih telesnih poškodb.
- S cepilnikom ne upravljajte pri slabi osvetljavi. Upravitelj mora imeti jasen pregled nad delovnim območjem, da lahko prepozna morebitne nevarnosti.
- Zaščita za sluh zmanjša vašo sposobnost, da slišite opozorila (alarme ali klice). Upravitelj mora še bolj paziti na dogajanje v okolici.
- Uporaba podobnih orodij v bližini poveča nevarnost za poškodbe sluha in nevarnost, da druge osebe vstopijo v vaše delovno območje.
- Pazite na ravnotežje in ne pretiravajte. Nesiahajte prelišč daleko. Če se boste preveč iztegnili, lahko izgubite ravnotežje ali pridete v stik z vročo površino, poleg tega pa se poveča nevarnost odsunka.
- Dele telesa držite proč od premikajočih se delov.
- Ne dotikajte se delov okoli dušilca in motorja enote, saj se ti med obratovanjem zelo segrejejo.
- Prev vsako uporabo preglejte stroj. Preverite, ali vsi krmilni elementi pravilno delujejo, vključno z zavoro za verigo. Preverite, ali so pritrjena dobro pritrjena, prepričajte se, da so vsa varovala in ročaji pravilno in trdno pritrjeni. Pred uporabo zamenjajte poškodovane dele.
- Na noben način ne spreminjajte naprave ter ne uporabljajte delov in dodatkov, ki jih ne priporoča proizvajalec.

⚠ OPOZORILO

Če izdelek pade, močno trči ali začne nenormalno vibrirati, ga nemudoma zaustavite in preverite, ali je poškodovan oziroma poiščite vzrok vibriranja. Vsakršno poškodbo mora ustrezno popraviti ali zamenjati pooblaščen servisni center.

- Pri mešanju goriva ali polnjenju rezervoarja za gorivo, ne kadite in obdržati 10 m stran od vira vžiga.
- Gorivo mešajte in skladiščite v posodi, odobreni za bencin.
- Gorivo mešajte zunaj, tam kjer ni iskenja ali plamena. Obrišite morebitno razlito gorivo. Preden motor zaženete, se odmaknite najmanj 10 m (30 ft) stran od območja točenja goriva.
- Pred točenjem goriva ali shranjevanjem oziroma

transportiranjem naprave ugasnite motor in pustite, da se naprava ustrezno ohladi.

- Po dolivanju goriva ali mešanju ne pozabite pravilno zapreti vseh pokrovcov na rezervoarju za gorivo/vsebniku.

VERIŽNA ŽAGA – VARNOSTNA OPOZORILA

- Ko izdelka ne uporabljate oziroma ga prenašate ali prevažate, vedno namestite pokrov meča. S tem preprečite možnosti nenamernega stika z ostrimi rezili na verigi. Izdelek prenašajte tako, da ga držite za zgornji ročaj in da je meč obrnjen proč od telesa.
- Privadite se na svojo novo verižno žago, tako da na dobro podprtem lesu napravite nekaj enostavnih zarez. To storite po vsakem daljšem obdobju neuporabe žage.
- Priporočamo, da ob prvi uporabi izdelka polena žagate na kozi ali podstavku.
- Poskrbite, da bodo vse zaščite, ročaji in zobata opora pravilno nameščeni in v dobrem stanju.
- Izdelek naj uporabljajo le osebe brez zdravstvenih težav. Izdelek je težek, zato mora biti upravljavec fizično sposoben opravljati delo. Upravljavec mora biti pozoren in okreten ter imeti brezhiben vid, dobro ravnotežje in spretnne roke. Če ste v kakršnih koli dvomih, ne upravljajte izdelka.
- Med uporabo izdelka ne stojte na nestabilnih tleh. To lahko med drugim vključuje tudi lestve, odre in drevesa. Izdelek ves čas z obema rokama držite za ročaje.
- Ne začnite uporabljati izdelka, dokler nimate prostega delovnega območja, dobrega ravnotežja in načrtovanega zasilnega umika v primeru padajočega drevesa.
- Izredno previdni bodite pri žaganju nizkega grmovja in mladih drevesc, ker se lahko tanjši material ujame na verigo žage in ga lahko vrže proti vam ali pa vas spravi iz ravnotežja.
- Pri žaganju veje pod napetostjo pazite, da ne odskoči nazaj, da vas nebi udarila pri sprostitvi napetosti v lesnih vlaknih.
- Pazite na emisije izpušnih plinov, hlape olja za mazanje in prah, ki nastane pri žaganju. Po potrebi nosite ščitnik ali dihalni aparat.
- Ne žagajte trte in/ali manjše podrasti (s premerom manj kot 75 mm).
- Motorno žago pri delu vedno držite z obema rokama. S palcema in prsti vzdržujte trden opriječ ročajev verižne žage. Desno roko imejte na zadnjem ročaju, levo pa na sprednjem.
- Preden zaženete motor, preverite, da se veriga žage ne dotika nobenega predmeta. Izdelek vedno zaženite z vklopljeno zavoro verige (potisnjeno povsem naprej).
- Izdelka ne smete na noben način spreminjati ali ga uporabljati za napajanje priključkov oz. naprav, ki jih ne priporoča proizvajalec izdelka.
- V bližini upravljavca naj bo komplet prve pomoči z obvezami za hujše poškodbe ter pripomoček za klic na pomoč (npr. piščalka). Dokaj blizu naj bo tudi večji oz. obširnejši komplet za prvo pomoč.
- Kot upravljavec boste morda želeli odstraniti čelado,

če boste ocenili, da v delovnem območju ni nevarnosti padajočih predmetov, vendar pa upoštevajte, da čelada, še posebej v kombinaciji s ščitnikom za obraz, zmanjšuje tveganje za poškodbe obraza in glave v primeru odsunka.

- Nepravilno napeta veriga se lahko sname z meča in povzroči hude poškodbe ali celo smrt. Dolžina verige je odvisna od temperature in obrabe verige. Napetost verige redno preverjajte.
- Ročaji naj bodo suhi, čisti in brez madežev olja ali masti. Greasy and oily handles are slippery, causing loss of control.
- Da bi zmanjšali tveganje poškodb zaradi stika z vrtljivimi deli, vedno ustavite napravo, zategnite zavoro verige in odstranite kabel vžigalne svečke ter se prepričajte, da so se vrtljivi deli ustavili, pred
 - čiščenje ali ko odstranjujete blokado
 - pustiti izdelek brez nadzora
 - nameščanjem ali odstranjevanjem pripomočkov,
 - pregledovanjem, vzdrževanjem ali delu na izdelku
- Velikost delovnega območja je odvisna od izvajanega dela pa tudi od velikosti drevesa ali obdelovanca. Podiranje drevesa na primer zahteva večje delovno območje kot druga dela, kot je npr. krojenje ipd. Upravljavec mora biti pozoren na dogajanje v okolici in imeti nadzor nad njim.
- Ne žagajte tako, da boste telo imeli vzporedno z mečem in verigo. Če pride do odsunka, boste tako lažje preprečili stik verige z glavlo oz. telesom.
- Z izdelkom nikoli ne žagajte tako, da ga premikate naprej in nazaj, temveč naj veriga opravlja vse delo. Veriga naj bo vedno ostra in ne poskušajte je potisniti skozi zarezo.
- Ne pritiskajte na žago ob zaključku reza. Bodite pripravljeni, da boste lahko zadržali težo žage, ko prežagate skozi les. Neupoštevanje tega nasveta lahko povzroči hude telesne poškodbe.
- Ne ustavljajte žage med žaganjem. Žaga naj obratuje, dokler je ne odstranite iz zarez.

Osebná varovalna oprema

S kakovostno profesionalno osebno varovalno opremo boste zmanjšali tveganje za poškodbe upravljavca. Pri delu z verižno žago uporabljajte naslednje elemente:

Varnostna čelada

- mora biti skladna z EN 397 in imeti mora oznako CE

Zaščita sluha

- mora biti skladna z EN 352-1 in imeti mora oznako CE

Zaščita oči in obraza

- imeti mora oznako CE ter mora biti skladna z EN 166 (zaščitna očala) oz. EN 1731 (obrazni ščitniki)

Rokavice

- mora biti skladna z EN 397 in imeti mora oznako CE

Zaščita nog (delovne hlače)

- mora biti skladna z EN381-5, imeti mora oznako CE ter zagotavljati zaščito z vseh strani.

Varovalni škornji za delo z verižno žago

- Morajo biti skladni EN ISO 20345:2004 in imeti morajo oznako s ščitom, v katerem je verižna žaga, kar dokazuje skladnost z EN 381-3. (Občasni uporabniki lahko uporabljajo varovalne škornje z jekleno kapico in zaščitnimi gamašami, ki so skladni z EN 381-9, če je podlaga enakomerna in je nevarnost zatikanja v pr odrast nizka.)

Jakne za delo z verižno žago za zaščito zgornjega dela telesa

- mora biti skladna z EN 381-1 in imeti mora oznako CE

MONTAŽA

⚠ OPOZORILO

Če so deli poškodovani ali manjkajo, izdelka ne uporabljajte, dokler deli niso zamenjani. Če tega opozorila ne upoštevate, lahko pride do hudih osebnih poškodb.

SESTAVLJANJE VERIGE IN MEČA ŽAGE

Glejte stran 273, Slika 5 - 8.

1. Zaustavite izdelek. Nosite zaščitne rokavice.
2. Sprostite zavoro verige.
3. Odvijte gumb za zaklep vodilnega meča in odstranite pokrov verižnika.
4. Na verižno žago namestite meč in sklop za napenjanje verige. Meč spustite tako, da gre vijak lahko skozi odprtino v meču in sklopu za napenjanje verige.
5. Veriga žage mora biti obrnjena v smeri vrtenja verige. Če gledajo nazaj, preobrnite zanko.
6. Zanko namestite okoli pogosnkega zobnika. Razmejevalni zob verige postavite v utor meča. Sklop za napetost verige lahko po potrebi zasučete, da verigo malo napnete, zaradi česar bo ta ostala na mestu.
7. Ponovno namestite pokrov verižnika.
8. Prilagodite napetost verige. Preberite poglavje »Prilaganje napetosti verige«.

NASTAVITEV ZATEGNJENOSTI VERIGE

Glejte stran 286

1. Rahlo odvijte gumb za zaklep vodilnega meča, tako da ga obrnete v nasprotni smeri urinega kazalca.
2. Za povečanje napetosti verige obroček napenjalnika verige obrnite v smeri urinega kazalca in sproti preverjajte napetost verige. Za zmanjšanje napetosti verige obroček napenjalnika verige obrnite v nasprotni smeri urinega kazalca in sproti preverjajte napetost verige.
3. Napetost verige je pravilna, ko je razmik med mečem in verigo med 3 in 4 mm. Na sredini spodnje strani meča povlecite verigo navzdol (proč od meča) in izmerite razdaljo med mečem in rezili verige.
4. Zategnite gumb za zaklep vodilnega meča, tako da ga obrnete v smeri urinega kazalca.

OPOMBA: Temperatura verige se med običajnim delovanjem zviša, zaradi česar se veriga raztegne. Pogosto preverjajte zategnjenost verige in jo po potrebi zategnite. Veriga, ki je bila zategnjena še topla, je lahko pretesna, ko se ohladi. Veriga mora biti pravilno napeta, kot je določeno

v teh navodilih.

UPRAVLJANJE IZDELKA

GORIVO IN POLNJENJE

Varno ravnanje z gorivom

⚠ OPOZORILO

Pred točenjem goriva vedno ugasnite motor. Nikoli ne dolivajte goriva v stroj pri delujočem ali vročem motorju. Preden zaženete motor, se umaknite vsaj 10 m proč od mesta polnjenja. Ne kadite! Neupoštevanje tega opozorila lahko povzroči telesno poškodbo.

⚠ OPOZORILO

Preverite puščanje goriva. Če ugotovite, da gorivo pušča, preverite stanje naprave in je ne uporabljate dokler ne bo popravljena, saj lahko pride do požara ali opeklin.

- Z gorivom vedno ravnajte pazljivo, saj je visoko vnetljivo.
- Gorivo vedno dolijte na prostem, stran od morebitnih vzrokov za vžig, in ne vdihujte hlapov goriva.
- Pazite, da vaša koža ne pride v stik z bencinom ali oljem. Prizadeto površino temeljito izperite z milnico in veliko vode.
- Pazite, da bencin in olje ne prideta v stik z očmi. Če prideta bencin ali olje v stik z očmi, jih takoj umijte s čisto vodo. Če še vedno občutite draženje oči, takoj poiščite zdravniško pomoč.

Mešanje goriva

- Orodje poganja 2-taktni motor in zahteva, da predhodno naredite mešanico bencina in sintetičnega 2-taktnega olja. Neosvinčen bencin in sintetično 2-taktno strojno olje predhodno premešajte v čisti posodi, odobreni za bencin.
- Ta motor je odobren za delovanje z neosvinčenim bencinom, namenjenim za uporabo v motornih vozilih z oktansko vrednostjo 91 (IR + MJ/2) ali višjo.
- Ne uporabljajte nobene vrste pripravljenih mešanic bencina/olja iz bencinskih črpalk. Sem spadajo tudi pripravljene mešanice bencina/olja za uporabo v mopedih, motornih kolesih itd.
- Uporabite visoko kakovostno 2-taktno olje za motorje z zračnim hlajenjem. Ne uporabite olja za avtomobile ali 2-taktno olje za zunanjo uporabo.
- V bencin vmešajte 2 % olja. To je razmerje 50:1.
- Dobro premešajte gorivo, prav tako tudi pred vsakih dolivanjem.
- Mešajte majhne količine. Ne mešajte večjih količin, kot jih lahko uporabite v roku 30 dni. Priporočamo mazivo za 2-taktno motorje ki vsebuje stabilizator goriva.

OPOMBA: Poškodbe sistema za polnjenje ali problemi v delovanju, ki so posledica uporabe goriva s kisikom, ki vsebuje višji procent kot je določeno za to vrsto goriva,

garancija ne krije.

Polnjenje rezervoarja za gorivo

Glejte stran 273

- Očistite površino okrog pokrovčka za gorivo, da preprečite onesnaženje.
- Pokrovček počasi odvijte.
- Previdno nalijte mešanico goriva v posodo. Pazite, da ne prelije.
- Preden ponovno namestite pokrovček za gorivo, očistite in pregledajte tesnilo.
- Takoj ponovno namestite pokrovček za gorivo in ga ročno pritegnite. Obrišite morebitno razlito gorivo.

OPOMBA: To je normalno za motor, da oddaja dima med in po prvi uporabi.

DODAJANJE OLJA ZA MAZANJE VERIGE

Glejte stran 273

⚠ OPOZORILO

Nikoli ne opravljajte del brez maziva za verigo. Če veriga obratuje brez maziva, lahko pride do poškodb meča in verige. Zato redno in pred vsakim zagonom motorne žage preverite raven olja s pomočjo merilnika za raven olja.

1. Očistite površino okoli pokrovčka za olje, da preprečite onesnaženje.
2. Odvijte in odstranite čep posode za olje.
3. Dolijte olje v posodo za olje in pri tem spremljajte merilnik ravni olja. Pazite, da med dolivanjem olja v posodo za olje ne pride nesnaga.
4. Znova namestite čep posode za olje in ga dobro privijte. Obrišite morebitna razlilja.
5. Ena polna posoda olja omogoča uporabo žage za 20 – 40 minut.

OPOMBA: Pri pravilnem delovanju sistema za mazanje verige in meča med uporabo običajno pušča olje iz verige. Če želite preveriti delovanje sistema za mazanje verige in meča, konico verige usmerite proti svetli površini, na primer časopisu. Po kratkem času bi morali opaziti razločno oljno črto.

Priporočeno olje za mazanje verige

- Proizvajalec priporoča, da uporabljate le maziva podjetja Ryobi. (Na voljo pri pooblaščenem servisu)

ZAGON IZDELKA

Metoda zaganjanja se razlikuje glede na to, ali je motor mrzel ali ogret.

⚠ OPOZORILO

Telo naj bo levo od vodila verige. Nikoli ne zakoračite preko žage ali verige ali se ne stegujte preko vodila verige.

- Obrezovalnik postavite na ravno površino in zagotovite, da v neposredni bližini ni predmetov ali ovir, ki bi lahko prišli v stik z mečem ali verigo.

- Trdno držite prednji ročaj z levo roko in postavite desno nogo na podnožje zadnjega ročaja.

OPOMBA: V naslednjih navodilih za zagon je ročica dušilne lopute povlečena do konca do položaja START, dušilka pa je v položaju za zagon. Če želite ponastaviti dušilko na položaj RUN, stisnite in sprostite sprožilnik dušilke.

Zagon hladnega motorja:

Glejte stran 272 - 273.

1. Vklonno stikalo prestavite v položaj ON.
2. Zagotovite, da je zavora verige v položaju BRAKE tako, da ročico/ščitnik za roke potisnete naprej.
3. Sedemkrat do konca pritisnite in sprostite GUMB VBRIZGALKE .
4. Ročico dušilne lopute povlecite do konca do položaja START.
5. Kadar je temperatura nad 10°C potegnite vrstico za vžig dokler se motor ne zažene, toda ne več kot 3 krat. Kadar je temperatura pod 10°C, potegnite vrstico za vžig dokler se motor ne zažene, toda ne več kot 5 krat.
6. Ročico dušilne lopute potisnite v položaj "polovične zaščite". Zagonski ročaj povlecite tolikokrat, da se motor zažene.
7. Pritisnite gumb za sprostitve vzvoda in stisnite vzvod plina, nato pa izpusite vzvod plina, da bo motor znova začel delovati v prostem teku.
8. Izdelek naj deluje v prostem teku približno od 15 do 30 sekund.
9. Pred pospeševanjem motorja ali žaganjem lesa se prepričajte, da je zavora verige v položaju "delovanje" tako, da potegneta nazaj ročico zavore/zaščito za roke.

⚠ POZOR

Če ne sprostite delne obremenitve motorja, ko je vzvod zavore verige v položaju zaviranja, bo prišlo do težke poškodbe naprave. Nikoli ne pritisčajte in držite stikala dušilne lopute, medtem ko je zavora verige v položaju zaviranja.

Zagon toplega motorja:

Glejte stran 281

1. Vklonno stikalo prestavite v položaj ON.
2. Zagotovite, da je zavora verige v položaju BRAKE tako, da ročico/ščitnik za roke potisnete naprej.
3. 10-krat pritisnite črpalni mehurček.
4. Dušilno loputo popolnoma izvlecite, da jo nastavite v položaj za „START“ (zagon), nato pa jo znova nastavite v položaj za „START“ (delovanje).
5. Povlecite ročaj zaganjalnika, ko motor deluje, vendar ne več kot 5-krat. Pritisnite gumb za sprostitve vzvoda in stisnite vzvod plina, nato pa izpusite vzvod plina, da bo motor znova začel delovati v prostem teku. Če se motor ne zažene, ko 5-krat povlečete ročaj, uporabite postopek za zagon hladnega motorja.
6. Pred pospeševanjem motorja ali žaganjem lesa se prepričajte, da je zavora verige v položaju "delovanje" tako, da potegneta nazaj ročico zavore/zaščito za roke.

PREKLOP MED NAČINI OBRATOVANJA

Glejte stran 287

Izdelek ponuja način obratovanja proti zmrzovanju, ki preprečuje nastajanje ledu v uplinjaču med obratovanjem pri temperaturah $\leq 5^{\circ}\text{C}$.

Prezračevalno loputo na desni strani pokrova čistilnika zraka je mogoče nastaviti tako, da se v motor dovaja topel zrak, ki preprečuje nastajanje ledu v uplinjaču.

⚠ OPOZORILO

Če pri temperaturah $\leq 5^{\circ}\text{C}$ ne preklopite iz navadnega načina obratovanja v način obratovanja proti zmrzovanju, se zmanjša izhodna moč motorja ali pride do okvare motorja.

Če ne obstaja tveganje nastajanja ledu v uplinjaču, načina obratovanja izdelka ne pozabite znova preklopiti v navadni način obratovanja. Če pri običajnih temperaturah ne preklopite iz načina obratovanja proti zmrzovanju v navadni način obratovanja, lahko pride do okvare motorja.

ZAUSTAVITEV MOTORJA

Sprostite stikalo dušilne lopute, da ponovno omogočite prosti tek motorja. Da bi zaustavili motor, pomaknite stikalo za vžig v položaj "O" za zaustavitev. Ne postavljajte verižne žage na tla, dokler se še premika veriga. Za dodatno varnost pritegnite zavoro verige, kadar ne uporabljate žage. V primeru da stikalo za vžig ne zaustavi žage, potegnite vzvod lopute za hladni zagon v popolnoma izvlečeni položaj (odprta loputa) in pritegnite zavoro verige, da zaustavite motor. Če stikalo za vžig ne zaustavi žage, ko je nastavljeno v položaj zaustavitve "O", naj vam to stikalo popravijo, preden ponovno uporabite žago, da preprečite nevarne delovne pogoje ali težko telesno poškodbo.

OPOMBA: Po koncu uporabe izdelka vedno sprostite tlak v rezervoarju tako, da najprej odvijete in nato zopet privijete pokrovčke za mazivo verige in gorivo. Pred vskladiščenjem pustite, da se motor ohladi.

DRŽANJE IZDELKA

Glejte stran 273

Verižno žago vedno držite z desno roko za zadnji ročaj, z levo roko pa za sprednjega. Primite oba ročaja, tako da ju čvrsto objamete s palcem in z ostalimi prsti. Pazite, da z levo roko držite sprednji ročaj tako, da imate palec spodaj.

PREVERJANJE IN UPORABA ZAVORE VERIGE

1. Zavoro verige aktivirate tako, da levo roko zavrtite okoli sprednjega ročaja. Z zadnjim delom roki potisnite ročico zavoro verige/zaščito roke naprej proti meču, medtem ko se veriga še vrti. Izdelek ves čas z obema rokama držite za ročaje.
2. Zavoro verige ponastavite nazaj v položaj za obratovanje, tako da primete zgornji del ročice zavoro verige/zaščite roke in povlečete sprednji ročaj, dokler ne klikne.

⚠ OPOZORILO

Če zavora ne ustavi verige takoj ali če zavora verige ne ostane v položaju vklop brez dodatne pomoči, odnesite žago na pooblaščen servis za popravilo pred uporabo.

⚠ OPOZORILO

Ko je vzvod plina spuščen in motor deluje v prostem teku, se veriga ne sme premikati. Če se še naprej premika, lahko pride do hudih poškodb upravljavca. Izdelka ne uporabljajte, ampak ga odnesite na pooblaščen servis, kjer ga bo nastavilo usposobljeno osebje.

PREVERJANJE SKLOPKE

1. Sprostite zavoro verige tako, da potegnete ročico zavoro verige/zaščito za roke proti sprednji ročici, dokler ne slišite klika.
2. Motor pustite v prostem teku. Pripravite se, da je žaga veriga ne vrti. Če žaga veriga vrti, medtem ko teče v prostem teku, se sklopka lahko poškoduje. Stroja ne uporabljajte. Vrnite ga v pooblaščen servisni center, kjer ga bodo strokovnjaki nastavili.
3. Vzvod plina pritisnite do polovice, izdelek pa naj deluje pri srednjem številu vrtljajev motorja. Če je sklopka v dobrem stanju, se mora veriga vrteti neprekinjeno.

Vzroki odsunkov in njihovo preprečevanje:

Če se konica meča dotakne predmeta ali če se zapre les in se verižna žaga zagozdi v rezu, lahko pride do odsunka. Dotik s konico lahko v nekaterih primerih povzroči sunkovito povratno reakcijo, tako da meč sune navzgor in nazaj proti upravljavcu.

Če verigo žage na zgornjem delu žaginega lista stisnete, žagin list lahko hitro sune nazaj proti uporabniku.

Katera koli izmed teh reakcij bi lahko vodila do izgube nadzora nad strojem in posledično do hude telesne poškodbe. Ne zanašajte se izključno na varnostne naprave, vgrajene v žago. Kot uporabnik žage morate izvesti več ukrepov, da pri žaganju ne bi prihajalo do nesreč ali poškodb.

Odsunek je rezultat nepravilne uporabe orodja in/ali nepravilnih delovnih postopkov ali okoliščin in se mu ob ustreznih varnostnih ukrepih, kot so navedeni v nadaljevanju, lahko izognete:

- **Ohranite čvrst oprijem, tako da s palcem in ostalimi prsti objamete ročaj verižne žage, pri tem pa žago držite z obema rokama in svoje telo ter roke imejte v takem položaju, da boste pripravljene na morebitne sile odsunkov.** Sile odsunkov lahko upravljavac nadzoruje, če upošteva ustrezne varnostne ukrepe. Verižne žage ne izpuscite iz rok.
- **Ne iztegujte se preveč in ne žagajte nad višino ramen.** S tem pomagate preprečiti nenameren dotik konice in omogočite boljši nadzor nad verižno žago v nepričakovanih situacijah.
- **Za zamenjavo uporabljajte le meče in verige, ki jih določa proizvajalec.** Neustrezni nadomestni meči in verige lahko povzročijo trganje verige in/ali odsunek.

- **Upošteвайте navodila proizvajalca glede verige.** Zmanjšanje višine merilnika globine lahko povzroči več odsunkov.

POTISNI IN POVLECI

Glejte stran 279

Reakcijska sila je vedno nasprotna smeri premikanja verige. Zato mora biti upravljavec pripravljen, da bo zdržal nagljenost stroja k uhajanju (premikanju naprej) med žaganjem s spodnjim robom meča oz. potiskanju (proti upravljavcu) med žaganjem z zgornjim robom meča.

ZATAKNJENA ŽAGA V ZAREZI

Ustavite žago in jo zavaruje. Ne poskusite izvleči verige in meča iz zareze, saj boste s tem verjetno polomili verigo, ki lahko zaniha nazaj in udari upravljavca. Do tega običajno pride zaradi nepravilne podpore lesa med žaganjem, kar povzroči zapiranje zareze zaradi stiskanja in s tem ukleščenje meča. Če s prilagajanjem podpore ne sprostite meča in verige, zarezo odprite s pomočjo lesenih klinov ali vzvoda in tako sprostite žago. Nikoli ne poskušajte zagnati verižne žage, kadar je meč že v zarezi ali krajniku.

NAVODILA GLEDE PRAVILNIH TEHNIK PODIRANJA, KLEŠČENJA IN KRIŽNEGA ŽAGANJA

Razumevanje sil znotraj lesa

Če razumete smeri pritiska in napetosti znotraj lesa, lahko zmanjšate možnosti »ukleščenja« oz. jih med žaganjem vsaj pričakujete. Napetost znotraj lesa pomeni, da vlakna vleče narazen, in če boste zažagali v to območje, se bo zarez oz. krajnik ob pomiku žage mimo razprl. Če imate poleno na kozi tako, da konec gleda preko kože in ni podprt, se na zgornji površini zaradi teže visečega dela polena ustvari napetost, ki razteguje vlakna. Prav tako bo prišlo do stiskanja na spodnji strani debla, zaradi česar bodo vlakna stisnjena skupaj. Če v tem območju napravite zarezo, se bo krajnik med žaganjem zapiral. Tako lahko ukleščite meč.

Podiranje dreves

Glejte stran 277 - 278.

Če sta pri krojenju in podiranju dreves udeleženi dve osebi ali več hkrati, podiranje dreves ločite od krojenja vsaj v dvakratni razdalji višine drevesa, ki ga podirate. Dreves ne podirajte tako, da bi pri tem ogrozili kogar koli, ali tako, da bi drevo padlo na daljnovod oz. povzročilo kakršno koli materialno škodo. Če drevo pride v stik z daljnovodom, takoj obvestite ustrezno podjetje za oskrbo z energijo.

Delavec z verižno žago naj stoji na gornji strani terena, saj se bo drevo po podiranju po vsej verjetnosti skotalilo ali zdrsnilo po pobočju navzdol.

Praden začnete z žaganjem, je treba načrtovati in izprazniti pot umika. Pot umika naj bo diagonalno in v nasprotni smeri pričakovanega padca.

Praden začnete s podiranjem, preučite naraven nagib drevesa, položaj večjih vej in smer vetra ter tako ocenite, v katero smer naj bi drevo padlo.

Z drevesa najprej odstranite zemljo, kamne, ohlapne veje, žeblje, sponke in žice.

Ne poskušajte podirati gnilih dreves ali dreves, ki jih je poškodoval veter, požar, strela ipd. To početje je izjemno

nevarno, zato ga lahko opravljalo le strokovnjaki.

- **Izdelava zaseka**
Glejte stran 277 - 278.

Naredite zasek pravokotno na smer padca, ki bo globok 1/3 premera drevesa. Najprej ustvarite spodnjo vodoravno zarezo. Tako se boste izognili ukleščenju verige ali meča žage pri ustvarjanju druge zareze.

- **Zadnja zareza za podiranje**
Glejte stran 277 - 278.

Zadnjo zarezo za podiranje naredite vsaj 50 mm višje od spodnje vodoravne zareze. Zadnja zareza naj bo vzporedna spodnji vodoravni zarezi. Zadnjo zarezo naredite tako, da ostane dovolj lesa, ki deluje kot sklep. Sklepni les omogoča, da se drevo ne zasuče in pade v napačno smer. Sklepa ne prežagajte.

Ko se zadnja zareza približuje sklepu, bi drevo moralo začeti padati. Če obstaja možnost, da drevo ne pade v zeleni smeri, ali da se zaziba nazaj in uklešči žago, prekinite žaganje, preden je zadnja zareza končana, in uporabite lesene, plastične ali aluminijaste kline ter odprite zarezo, tako da drevo pade v zeleni smeri.

Ko drevo začne padati, odstranite žago iz zareze, ugasnite motor, odložite žago in uporabite načrtovano pot umika. Pazite na padajoče veje ter na to, kod stopate.

Odstranjevanje opornih korenin

Glejte stran 278

Oporna korenina je velika korenina, ki sega od debla drevesa nad zemljo. Pred podiranjem odstranite oporne korenine. Najprej naredite vodoraven rez v oporno korenino, nato pa še navpični rez. Nastali odpadni material odstranite z delovnega območja. Potem ko ste odstranili velike oporne korenine, izvajajte pravilni postopek za podiranje drevesa.

Krojenje debla

Glejte stran 279

Krojenje pomeni žaganje debla na krajše kose. Pomembno je, da imate dobro ravnotežje in da je vaša teža enakomerno razporejena na obe nogi. Če je mogoče, deblo dvignite in ga podprite z vejami, drugimi debli ali zagozdami. Sledite preprostim navodilom za enostavno žaganje. Če je deblo podprto po celotni dolžini, ga žagajte zvrha.

Če je deblo podprto na enem koncu, zarezite za 1/3 premera globoko s spodnje strani. Nato rez dokončajte od zgoraj, tako da se reza srečata.

Če je deblo podprto na obeh koncih, zarezite za 1/3 premera globoko z zgornje strani. Nato od spodaj zarezite še 2/3, tako da se reza srečata.

Ko krojite na klancu, vedno stojte na tisti strani debla, kjer je teren višje. Za ohranjanje popolnega nadzora med žaganjem »skozi« deblo proti koncu reza sprostite pritisk, vendar ne popustite prijema verižne žage. Pazite, da veriga ne pride v stik s tlemi. Ko rez zaključite, počakajte, da se veriga ustavi, preden verižno žago premikate. Pri pomikanju od drevesa do drevesa vedno ustavite motor.

Kleščenje drevesa

Glejte stran 280

Kleščenje pomeni odstranjevanje vej s padlega drevesa.

EN
FR
DE
ES
IT
NL
PT
DA
SV
FI
NO
RU
PL
CS
HU
RO
LV
LT
ET
HR
SL
SK
BG

Pri kleščenju dopustite, da spodnje, večje veje podpirajo deblo in ga držijo nad tlemi. Manjše veje odstranite z enim rezom. Napete veje odžagajte od spodaj navzgor, da se izognete ukleščenju verižne žage.

Žaganje upognjenih dreves

Glejte stran 280

Odskočno deblo je vsako deblo, veja, ukoreninjen štor ali mlado drevesce, ki je upognjeno pod pritiskom zaradi drugega lesa, tako da odskoči nazaj, če odžagamo ali odstranimo les, ki ga zadržuje.

Pri podrtm drevesu obstaja velika možnost, da med razrezovanjem debla od štora ukoreninjeni štor odskoči nazaj v pokončen položaj. Bodite pozorni na odskočna debela, ker so nevarna. Ne poskušajte žagati ukrivljenih verig ali štročjev, ki so pod pritiskom, razen če ste za to strokovno usposobljeni.

TRANSPORT IN SHRANJEVANJE

- Ustavite motor, zategnite zavoro verige, odklopite žičko vžigalne svečke in pustite, da se izdelek pred skladiščenjem ali transportom ohladi.
- Očistite vse tujke z izdelka.
- Odočite vse gorivo iz rezervoarja v posodo, ki je odobrena za bencin. Ne pozabite pravilno namestiti in zategniti pokrovčka za mešanje goriva.
- Pustite delovati motor, dokler se ne zaustavi. Na ta način se odstrani vsa mešanica goriva in olja, ki bi lahko postala postana in povzročila obloge smole v sistemu za gorivo.
- Odočite vse olje meča in verige iz rezervoarja v posodo, odobreno za olje. Ne pozabite pravilno namestiti in zategniti pokrovčka za mazivo verige.
- Pred shranjevanjem enote oz. med transportom namestite pokrov za vodila.
- Shranite jo na suhem in dobro prezračujem mestu, ki ni na dosegu otrok. Hranite proč od jedkih sredstev, kot so kemikalije za vrtnarjenje in soli za odmrzovanje. Ne shranjujte na prostem.
- Med prenašanjem izdelka na kratkih razdaljah (od enega delovnega območja do naslednjega), vedno zategnite zavoro verige, da je naprava blokirana.
- Med transportom zavarujte izdelek pred premiki ali padci, da preprečite poškodbe oseb ali izdelka.
- Naprave nikoli ne prenašajte, ko je v teku.

Upoštevajte vse državne in krajevne predpise glede varnega skladiščenja in rokovanja z bencinom. Odvečno gorivo uporabite za druge naprave s pogonom na 2-taktne motorje.

VZDRŽEVANJE

Izdelek naj bo vedno v dobrem stanju.

⚠ OPOZORILO

Uporabljajte le originalne rezervne dele in dodatke, ki jih priporoča proizvajalec. V nasprotnem primeru naprava lahko slabo deluje, povzroči poškodbe, garancija pa ne velja več.

⚠ OPOZORILO

Servisiranje zahteva posebno pozornost in znanje in naj jo zato opravlja samo izurjeni servisni tehnik. Za servis in popravila vrnite izdelek v najbližji pooblaščen servisni center. Pri servisiranju uporabljajte le identične nadomestne dele.

⚠ OPOZORILO

Pred pregledom, čiščenjem ali servisiranjem izdelka ustavite motor, vklopite zavoro verige in odklopite žičko vžigalne svečke. Če ne boste upoštevali teh navodil, lahko pride do težke telesne poškodbe ali materialne škode.

- Opravljati smete le nastavitve in popravila, ki so opisana v teh navodilih za uporabo. Za ostala popravila se obrnite na pooblaščenega serviserja.
- Posledice nepravilnega vzdrževanja so med drugim lahko napačno delovanje zavore verige in drugih varnostnih funkcij, zaradi česar se poveča tveganje za hude poškodbe. Strokovno vzdržujte in ohranjajte varnost verižne žage.
- Varno brušenje verige zahteva usposobljenost. Zato proizvajalec toplo priporoča, da obrabljene in tope verige zamenjate z novo, ki jo dobite pri pooblaščenem serviserju Ryobi. Številka dela je navedena v tabeli s specifikacijami izdelka v tem priročniku.
- Sledite navodilom za mazanje ter preverjanje in prilagajanje napetosti verige.
- Po vsaki uporabi izdelek očistite z mehko in suho krpo.
- Pogosto preverjajte, ali so vse matice in vijaki dobro pritiiti in tako zagotovite varno delovno stanje izdelka. Vsak poškodovani del mora ustrezno popraviti ali zamenjati pooblaščen servisni center.

MENJAVA MEČA IN VERIGE ŽAGE

Glejte stran 282 - 285.

1. Zaustavite izdelek. Nosite zaščitne rokavice.
2. Sprostite zavoro verige.
3. Odvijte gumb za zaklep vodilnega meča in odstranite pokrov verižnika.
4. Z enote odstranite meč in verigo.
5. Očistite spodnjo stran zobnika.
6. Da bi zamenjali meč z novim, najprej odvijte vijak na sklopu napenjalnika verige. Namestite napenjalnik verige na novi meč in privijte matico.
7. Na verižno žago namestite meč in sklop za napenjanje verige. Meč spustite tako, da gre vijak lahko skozi odprtino v meču in sklopu za napenjanje verige.
8. Veriga žage mora biti obrnjena v smeri vrtenja verige. Če gledajo nazaj, preobrnite zanko.
9. Zanko namestite okoli pogoskega zobnika. Razmejevalni zob verige postavite v utor meča. Sklop za napetost verige lahko po potrebi zasučete, da verigo malo napnete, zaradi česar bo ta ostala na mestu.
10. Ponovno namestite pokrov verižnika.
11. Prilagodite napetost verige. Preberite poglavje »Prilagajanje napetosti verige«.

ČIŠČENJE ZRAČNEGA FILTRA

Glejte stran 290

1. Zaustavite izdelek. Prepričajte se, da je zavora verige v zavornem položaju.
2. Odvijte zaklepni gumb na pokrovu zračnega filtra in ga odstranite iz izdelka.
3. Odstranite zračni filter.
4. S ščetko odstranite prah in umazanijo z zračnega filtra. Po potrebi s ploščatim izvijačem prepолоvite zračni filter in očistite notranji del filtra.
5. Znova namestite pokrov zračnega filtra in privijte zaklepni gumb.

ČIŠČENJE ZAŠČITE PRED ISKRAMI

Glejte stran 291

⚠ OPOZORILO

Glušnik je med in po delovanju izdelka vroč. V izogib resnim poškodbam med in po delovanju držite vse dele telesa stran od glušnika.

1. Zaustavite izdelek. Prepričajte se, da je zavora verige v zavornem položaju. Pustite, da se glušnik ohladi.
2. Odstranite vijak, s katerim je pokrov dušilca pritrjen na zobato oporo, in nato odstranite matice na pokrovu dušilca.
3. Odstranite pokrov glušnika.
4. Vzemite ven zaščito pred iskrami. Očistite zaščito pred iskrami z majhno žično krtačo.
5. Ponovno namestite pokrov glušnika. Za ponovno namestitev pokrova glušnika zgornje korake opravite v obratnem vrstnem redu.

⚠ OPOZORILO

Odbijač s špicami je varnostna funkcija izdelka. Po zamenjavi pokrova glušnika ga pritržite s primernim vijakom. Če teh navodil ne upoštevate, lahko pride do resnih poškodb ali smrti.

PREVERJANJE IN ČIŠČENJE ZAVORE VERIGE

Glejte stran 294

- Vzdržujte čistočo mehanizma zavora verige, tako da nežno očistite spojne elemente.
- Po čiščenju vedno preverite delovanje zavora verige.
- Za dodatne informacije si oglejte "Delovanje - preverjanje in upravljanje zavora verige" na začetku priročnika.

NASTAVITEV ŠTEVILA VRTLJAJEV MOTORJA IN UPLINJAČA

⚠ OPOZORILO

Z nepravilno nastavitvijo uplinjača lahko povečate nevarnosti poškodb, nesreč s smrtnim izidom ali poškodb izdelka. Če želite nastaviti uplinjač, odnesite izdelek na pooblaščen servis.

URNIK VZDRŽEVANJA

Dnevno preverjanje	
Mešanica goriva	Pred vsako uporabo
Mazanje meča	Pred vsako uporabo
Napetost verige	Pred vsako uporabo in ob rednih intervalih
Sklopke (med prostim tekem se veriga ne premika)	Pred vsako uporabo
Ostrino verige	Pred vsako uporabo, vizualni pregled
Poškodovanost delov	Pred vsako uporabo
Privitost pritrdil	Pred vsako uporabo
Odvitost delov	Pred vsako uporabo
Funkcija zavora verige	Pred vsako uporabo
Za uhajanja goriva	Pred vsako uporabo

PREVERITE IN OČISTITE

Meč	Pred vsako uporabo
Celotno žago	po vsaki uporabi
Zračni filter	Vsakah 5 ur*
Zavora verige	Vsakah 5 ur*
Zamenjajte filter za gorivo	Letno
Zamenjajte filter za gorivo	Letno

*Ure obratovanja

REZIDUALNA TVEGANJA:

Tudi če izdelek uporabljate tako, kot je predpisano, še vedno ne moremo izključiti določenih preostalih dejavnikov tveganja. Med uporabo se lahko pojavijo naslednje nevarnosti, upravljaavec pa naj bo pozoren na sledeče:

- Poškodbe zaradi vibracij. Vedno uporabljajte pravo orodje za opravilo, uporabite ustrezne ročaje in omejite delovni čas in izpostavljenost.
- Izpostavljenost hrupu lahko povzroči poškodbo sluha. Nosite zaščito za sluh in omejite izpostavljenost.
- Stik z izpostavljenimi zobci žage (nevarnost vreza).
- Nepredviden, nenaden premik ali povratni sunek meča (nevarnost vreza).
- Delci, ki odletijo iz verige žage (nevarnost ureza/vboda).
- Delci, ki odletijo iz obdelovanca (odkruški, trske).



- Vdihavanje žagovine in delcev ali emisij iz bencinskega motorja.
- Stik kože z bencinom/oljem.

ZMANJŠANJE TVEGANJA

Ugotovljeno je bilo, da lahko pri nekaterih posameznikih vibracije ročnih orodij povzročijo Raynaudov sindrom. Simptomi so lahko mravljinci, otrplost in pobledele prsti, kar je običajno vidno, kadar je oseba izpostavljena mrazu. Dedni dejavniki, izpostavljenost mrazu in vlagi, dieta, kajenje in delovne navade naj bi pripomogle k razvoju teh simptomov. Za zmanjšanje učinkov vibracij lahko upravljavec upošteva naslednja navodila:

- Poskrbite, da bo vaše telo na mrazu toplo. Med upravljanjem nosite rokavice in tako ohranjajte toploto vaših dlani in zapestij. Kot poročajo, je mraz glavni dejavnik, ki prispeva k Raynaudovemu sindromu.
- Po vsakem obdobju upravljanja naprave telovadite in tako pospešite krvni obtok.
- Pogosto si vzemite odmor. Omejite dnevno količino izpostavljenosti.
- Zaščitne rokavice profesionalnih prodajalcev motornih žag so posebej zasnovane za uporabo z motornimi žagami in nudijo zaščito ter dober oprijem. Rokavice zmanjšajo učinek vibracij ročaja. Rokavice morajo biti skladne s standardom EN381-7 in morajo imeti oznako CE.

Če zaznavate kakršne koli simptome takšnega stanja, takoj prenehajte z uporabo naprave in se o simptomih posvetujte z zdravnikom.

⚠ OPOZORILO

Daljša uporaba orodja lahko privede do poškodb ali pa so poškodbe lahko hujše. Kadar orodje uporabljate dalj časa, si večkrat vzemite odmor.

SPOZNAJTE SVOJ IZDELEK

Glejte stran 271

DELI

1. Veriga
2. Meč
3. Prednji ščitnik roke/zavora verige
4. Spretnji ročaj
5. Pokrov zračnega filtra
6. Ročica zaganjalnika
7. Zadnji ročaj
8. Meč motorne žage
9. Pokrov dušilca
10. Pokrovček za mešanico goriva
11. Pokrovček olja za verigo
12. Stikalo za vklop
13. Sprožilni gumb
14. Stikalo dušilne lopute
15. Gumb vbrizgalke
16. Vzvod lopute za hladni zagon
17. Kombinirani ključ
18. Pokrov verižnika

19. Lovilec verige
20. Obroček za prilagajanje napenjalnika verige
21. Gumb za zaklep vodil meča
22. Pokrov za meč žage

VARNOSTNE NAPRAVE

VERIGA ŽAGE Z NIZKIM ODSUNKOM

Veriga žage z nizkim odsunkom pomaga preprečevati pojav odsunkov.

Grabilci (vodilni zobje) pred vsakim rezalnim zobom lahko zmanjšajo moč reakcije pri odsunku, tako da preprečijo, da se rezalni zobi ne bi zakopali pregloboko na območju odsunka. Uporabljajte le kombinacije mečev in verig, ki jih priporoča proizvajalec.

Pri brušenju verige izgubijo nekaj od svojih lastnosti glede odsunka, zaradi česar je potrebna posebna pozornost. Zaradi varnosti zamenjajte verige, ko se njihova učinkovitost zmanjša.

MEČ MOTORNE ŽAGE

Vgrajeni meč motorne žage lahko uporabite kot ročico pri rezanju. Pomaga ohranjati stabilnost ohišja motorne žage med žaganjem. Med žaganjem potisnite napravo naprej, da zobata opora zareže v rob lesa, nato pa premikajte zadnji ročaj navzgor oz. navzdol v smeri reza, da zmanjšate fizični napor, ki je potreben za žaganje.

MEČI

Na splošno imajo vodila meča s konicami majhnega premera nekoliko manjšo možnost povratnega udarca. Uporabljajte le kombinacije mečev in verig, ki jih priporoča proizvajalec. Uporaba nepriporočenih vodil lahko poveča nevarnost izgube nadzora med žaganjem. Redno preverjajte napetost verige. Pri žaganju manjših vej (manj, kot je celotna dolžina meča) je nevarnost snetja veriga v primeru napačne napetosti še večja.

ZAVORA VERIGE

Zavore verige so zasnovane tako, da hitro zaustavijo vrtenje verige. Ko je vzvod zavora verige/ščitnik roke potisnjen proti meču, se mora veriga takoj zaustaviti. Zavora verige ne prepreči odsunka. Le zniža tveganje za poškodbe v primeru stika meča verige s telesom uporabnika pri odsunku. Pred vsako uporabo preverite, ali zavora za verigo pravilno deluje (tako v blokiranem kot v sproščenem položaju).

LOVILEC VERIGE

Lovilec verige preprečuje opletanje verige in poškodovanje operaterja, če bi se veriga žage zlomila ali snela.

SIMBOLI NA IZDELKU



Varnostni alarm



Pred uporabo izdelka morate prebrati in razumeti vsa navodila, upoštevati vsa opozorila in varnostne napotke.



Nosite zaščito za oči, ušesa in glavo.



Ko uporabljate izdelek, nosite zaščitno obutev, ki ne drsi.



Nosite si nedrseče, močne delovne zaščitne rokavice.



Pazite na verigo, saj lahko pride do povratnega udara, in se izogibajte dotikanju predmetov s konico meča.



Žago uporabljajte tako, da jo trdno držite z obema rokama.



Ne uporabljajte žage tako, da jo držite samo z eno roko.



Ustreza vsem predpisanim standardom v državni članici EU, kjer je bil kupljen izdelek.



Uporabljajte neosvinčen bencin, namenjen za motorna vozila, z oktanskim številom 91 ((R+M)/2) ali višje.



Uporabljajte olje za 2-taktne motorje z zračnim hlajenjem.



Pred vsakim točenjem goriva dobro premešajte mešanico goriva.



Dodajte olje za meč in verigo vsakič, ko v izdelek dolivate gorivo.



Nastavite zavoro verige v položaj za delovanje RUN.



Nastavite zavoro verige v zavorni položaj BRAKE.



Vključno stikalo prestavite v položaj ON.



Sedemkrat do konca pritisnite in sprostite GUMB VBRIZGALKE .



Ročico dušilne lopute premaknite v položaj »FULL« (polna zadušitev).



Povlecite vrstico zaganjalnika, dokler ne zaslišite prvega vžiga motorja (ni potrebno potegniti več kot petkrat).



Ročico dušilne lopute premaknite v položaj »HALF« (polovična zadušitev).



Zagonski ročaj povlecite tolikokrat, da se motor zažene.



Pritisnite sprostitvev sprožilca na gumb za plin.



EurAsian oznaka o skladnosti



Zajamčena raven hrupa je 112 dB.



Mazivo za meč in verigo



Neosvinčen bencin in 2-taktno olje.



Položaj teka



Položaj polovično odprte dušilne lopute



Položaj »FULL« (polna zadušitev)



Uzamknutie



Odklep



Zavrtite za prilagoditev napetosti verige

+ = Privijte verigo

- = Sprostitev verige

Smer premikanja verige

(Oznaka pod pokrovom zobatega kolesa)



Navaden način



Način proti zmrzovanju

T

Nastavitev delovanja v prostem teku

H

Igla za nastavitev hitrosti na visoko

EN
FR
DE
ES
IT
NL
PT
DA
SV
FI
NO
RU
PL
CS
HU
RO
LV
LT
ET
HR
SL
SK
BG

L Iгла za nastavev hitrosti na nizko

Brez simbola za varnostno opozorilo
Prikazuje situacijo, ki lahko povzroči materialno škodo.

SIMBOLI V TEM PRIROČNIKU



Gorivo mešajte zunaj, tam kjer ni iskrenja ali plamena.



Med mešanjem goriva ali polnjenjem rezervoarja za gorivo ne kadite.



Deli ali dodatki so na prodaj ločeno



Odpadne električne izdelke odlagajte skupaj z ostalimi gospodinjskimi odpadki. Reciklažo opravljajte na predpisanih mestih.



Opomba



Opozorilo!



Nosite zaščito za oči in obraz.



Nosite zaščito za zgornji del telesa.



Nosite zaščito za noge.



Zaustavite izdelek.



Zaklepanje pokrova za dostop do filtra



Odklenite pokrov za dostop do filtra

Naslednje besedne oznake in njihovi pomeni služijo za razlago stopnje tveganja pri uporabi izdelka.

NEVARNOST

Označuje neizbežno tvegano stanje, ki če se ji ne izognete lahko povzroči smrt ali resno poškodbo.

OPOZORILO

Označuje morebitno tvegano stanje, ki če se ji ne izognete lahko povzroči smrt ali resno poškodbo.

POZOR

Označuje morebitno tvegano stanje, ki če se mu ne izognete lahko povzroči manjšo ali srednje resno poškodbo.

POZOR

Pri navrhovaní vášho Benzínová reťazová píla boli najvyššou prioritou bezpečnosť, výkon a spoľahlivosť.

ÚČEL POUŽITIA

Tento produkt je určený výhradne na použitie v exteriéri a v dobre vetraných priestoroch. Z bezpečnostných dôvodov sa musí tento produkt primerane ovládať neustále oboma rukami.

Tento produkt je určený na rezanie konárov, kmeňov, polien a trávov s priemerom určenom reznou dĺžkou vodiacej lišty. Je určená len na pílenie dreva. Možno ho používať pri domácich aplikáciách dospelými osobami, ktoré sú primerane zaškolené o rizikách a preventívnych opatreniach/krokoch, ktoré treba pri jeho používaní vykonať.

Nepoužívajte produkt na iné účely, ako sú uvedené vyššie. Nie je určený na používanie v profesionálnych lesníckych službách. Tento produkt nesmú používať deti ani osoby, ktoré nie sú vybavené primeranými osobnými ochrannými pomôckami a odevom.

VAROVANIE

Pri používaní tohto produktu sa musia dodržiavať bezpečnostné zásady. Pre vašu vlastnú bezpečnosť a bezpečnosť okolostojacich osôb si pred použitím produktu musíte prečítať tento návod a porozumieť všetkým jeho pokynom. Odporúčame absolvovať profesionálne organizované bezpečnostné školenie o používaní, preventívnych krokoch, prvej pomoci a údržbe reťazových píl. Odložte si tento návod na neskoršie použitie.

VAROVANIE

Reťazové píly sú potenciálne nebezpečné nástroje. Nehody pri používaní reťazových píl často spôsobia stratu končatín alebo smrť. Riziko nepredstavuje len reťazová píla. Padajúce konáre, zvalujúce sa stromy, kotúlajúce s brvná – to všetko môže zabiť. Ďalšie riziká predstavuje choré alebo trúchnivejšie drevo. Musíte odhadnúť vlastnú schopnosť bezpečne dokončiť úlohu. Ak máte akékoľvek pochybnosti, prenechajte úlohu profesionálnemu stromovému chirurgovi.

VŠEOBECNÉ BEZPEČNOSTNÉ VÝSTRAHY

- Niektoré regióny majú nariadenia, ktoré obmedzujú použitie produktu. Poradte sa s miestnym úradom.
- Produkt nikdy nedovoľte používať deťom alebo osobám neoboznámenným s návodom na použitie. Miestne platné predpisy môžu obmedzovať dobu použitia kosačky.
- Pred každým použitím skontrolujte, či všetky ovládacie prvky a bezpečnostné zariadenia fungujú správne. Produkt nepoužívajte, ak hlavný spínač nevypína motor.
- Nikdy neštartujte ani nespúšťajte motor v uzavretom alebo nedostatočne vetranom priestore – pri nadýchaní výfukových plynov hrozí usmrtenie.

- Pred každým použitím vyčistite pracovisko, na prepchanom a neupravenom pracovisku môže dochádzať k nehodám.
- Pri práci s produktom používajte kompletné chrániče zraku a sluchu, pevné a odolné rukavice, ochrannú obuv s protišmykovými podrážkami a ochranu hlavy. Ak pracujete v prašnom prostredí, noste nasadený respirátor.
- Nenoste oblečenie voľného strihu, krátke nohavice, ani bižutériu žiadneho druhu.
- Dlhé vlasy zaistíte, aby boli nad úrovňou pliec a nedošlo tak k ich zamotaniu do pohyblivých dielov.
- Pozor na vymrštené, odletujúce alebo padajúce objekty. Všetky okolostojace osoby (najmä deti a domáce zvieratá) musia stáť minimálne 15 m od pracoviska.
- Nikdy nepracujte so zariadením vo výbušnej alebo zápalnej atmosfére.
- Pri používaní produktu vyvíjajte na obe rukoväte pevný uchop.
- Pri práci so zariadením buďte ostražití, sledujte, čo robíte a používajte zdravý rozum. Nepoužívajte tento produkt, keď ste unavení, chorí alebo pod vplyvom, alkoholu, drog alebo liekov. Po oddelení akumulátora od kosačky zapojte konektor nabíjačky do zásuvky na akumulátore.
- Nepracujte pri nedostatočnom osvetlení. Obsluhujúci musí mať jasný výhľad na pracovný priestor, aby mohol identifikovať potenciálne nebezpečenstvo.
- Použitie ochrany sluchu znižuje schopnosť počuť zvukové výstrahy (výkriky alebo alarmy). Operátor musí dávať zvlášť pozor, čo sa deje v pracovnej oblasti.
- Pri používaní podobných nástrojov v blízkosti sa zvyšuje riziko poranenia sluchu a potenciál pre ostatné osoby, ktoré vstúpia do pracovného priestoru.
- Udržujte bezpečný postoj a rovnováhu. Neprecaňujte sa. Pri siahaní príliš ďaleko môžete stratiť rovnováhu alebo sa vystaviť horúcim povrchom a zvýšite riziko spätného nárazu.
- Žiadnu časť tela nedávajte do blízkosti žiadnej pohybujúcej sa časti.
- Nedotýkajte sa priestorov v okolí tlmiča alebo motora zariadenia, tieto diely sú počas činnosti horúce.
- Pred každým použitím nástroj skontrolujte. Skontrolujte správnu činnosť všetkých ovládacie prvkov vrátane brzdy reťaze. Skontrolujte, či nie sú uvoľnené napínadlá a či sú všetky kryty a rukoväte správne a bezpečne nasadené. Pred použitím vymeňte všetky poškodené diely.
- Zariadenie žiadnym spôsobom neupravujte ani nepoužívajte diely či príslušenstvo, ktoré neodporúča výrobca.

VAROVANIE

Ak produkt spadne, utrpí silný náraz alebo začne neštandardne vibrovať, okamžite ho zastavte a skontrolujte, či nedošlo k poškodeniu alebo zistíte príčinu vibrácií. Akékoľvek poškodenie sa musí náležite opraviť alebo vymeniť v autorizovanom servisnom centre.

EN
FR
DE
ES
IT
NL
PT
DA
SV
FI
NO
RU
PL
CS
HU
RO
LV
LT
ET
HR
SL
SK
BG

- При смешивании топлива или заполняя топливный бак, не курю и держать 10 м от источника воспламенения.
- Palivo miešajte a skladujte v nádobe určenej na skladovanie benzínu (kanister).
- Palivo miešajte vonku, v bezpečnej vzdialenosti od zdrojov iskrenia a otvoreného ohňa. Akýkoľvek rozliaty benzín ihneď utrite. Pred spustením motora sa presuňte 10 m (30 stôp) od miesta na dopĺňanie paliva.
- Pred dopĺňaním paliva, uskladnením alebo prepravou zastavte zariadenie a nechajte ho vychladnúť.
- Nezabudnite po doplnení paliva alebo zmiešaní správne zatvoriť všetky viečka paliva a zásobníka.

REŤAZOVÁ PÍLA – BEZPEČNOSTNÉ VÝSTRAHY

- Keď produkt nepoužívate alebo ho prenášate alebo prepravujete, vždy nasadzte kryt ostria. Pomôžete tak znížiť riziko neúmyselného kontaktu s ostrými hrotmi na reťazi. Produkt prenášajte za vrchnú rukoväť, pričom ochranný kryt držte smerom od tela.
- Mali by ste si navyknuť na novú reťazovú pílu vykonávaním jednoduchých rezov na bezpečne podporenom dreve. To robte vždy, keď ste pílu nejakú dobu nepoužívali.
- Pri prvom použití produktu píľte poľená na koze na drevo alebo vidlici.
- Skontrolujte, či sú všetky ochranné kryty, rukoväte a nárazové ostrie správne nasadené a v dobrom stave.
- Osoby obsluhujúce produkt musia byť v dobrom zdravotnom stave. Produkt je ťažké zariadenie, takže obsluhujúca osoba musí byť fyzicky zdatná. Obsluhujúca osoba musí byť v strehu, mať dobrý zrak, pohyblivosť, rovnováhu a byť manuálne zručná. V prípade akýchkoľvek pochybností nepracujte s produktom.
- Počas práce s produktom nestojte na nestabilnom povrchu. To sa týka napr. rebrikov, lešení a stromov. Neustále držte obe ruky na rukovätiach produktu.
- Nepúšťajte sa do práce s produktom, kým nevyčistíte pracovisko, nezaistíte si pevný postoj a nebudete mať naplánovanú únikovú trasu od padajúceho stromu.
- Buďte mimoriadne opatrní pri rezaní malých kríkov a stromčekov, pretože tenké konáriky sa môžu zachytiť v reťazi a vyvrátiť smerom k vám alebo narušiť vašu rovnováhu.
- Keď režete konár pod pnutím, buďte pripravení, aby ste mohli rýchle odskočiť, keď napätie v drevených vláknach náhle povolí.
- Dávajte pozor na emisie výfukových plynov, kvapôčok mazacieho oleja a pílín. V prípade potreby použite masku alebo respirátor.
- Nerezte vinič alebo malý podrast (s priemerom menším ako 75 mm).
- Reťazovú pílu pri práci vždy držte oboma rukami. Obidve rukoväte uchopte pevne obopnutím palcami a prstami. Pravá ruka musí byť na zadnej rukoväti a ľavá ruka na prednej rukoväti.
- Pred naštartovaním motora skontrolujte, či sa reťaz nedotýka žiadneho predmetu. Vždy spustíte produkt a aktivovanou brzdou reťaze (zatlačenu úplne dopredu).
- Produkt žiadnym spôsobom nemodifikujte, ani ho nepoužívajte na poháňanie žiadnych nástavcov alebo zariadení, ktoré neodporúčal výrobca produktu.
- V blízkosti obsluhujúcej osoby sa musí nachádzať lekárnica obsahujúca dostatok materiálu na obviazanie rany a prostriedky na privolanie pomoci (napr. pišťalka). V rozumnom dosahu by mala byť aj väčšia a komplexnejšia súprava.
- Obsluhujúca osoba môže byť v pokušení zložiť si helmu, pokiaľ neexistuje riziko padajúcich predmetov na pracovisku, ale pamätajte, že helma, najmä s mriežkovým priezorom pomáha znižovať riziko poranenia tváre a hlavy v prípade spätného nárazu.
- Nesprávne napnutá reťaz môže vyskočiť z vodiacej lišty a spôsobiť závažné poranenie alebo smrť. Dĺžka reťaze závisí od teploty reťaze a opotrebovania reťaze. Pravidelne kontrolujte napnutie.
- Rukoväte udržiavajte suché a čisté, bez zvyškov oleja či maziva. Zamastené a zaolejované rukoväte sú klzké a môžu spôsobiť stratu kontroly.
- Na zníženie rizika poranenia následkom kontaktu s pohybujúcimi sa dielmi pred nasledujúcimi činnosťami vždy zastavte motor, aktivujte brzdou reťaze, odpojte vodič zapalovacej sviečky a skontrolujte, či sa všetky pohybujúce úplne zastavili:
 - čistenie alebo odstránenie upchatia
 - ponechanie produktu bez dozoru
 - montáž alebo demontáž nástavcov
 - kontrola, údržba alebo práca na produkte
- Veľkosť pracovnej zóny závisí od vykonávanej práce, ako aj od veľkosti stromu alebo spracovávaného materiálu. Napríklad, padajúci strom vyžaduje väčšie pracovisko ako vykonávanie iných rezov, napr. skracovanie výrezov a pod. Obsluhujúca osoba si musí uvedomovať a mať kontrolu nad všetkým, čo sa deje na pracovisku.
- Nerezte s telom v línii s vodiacou lištou a reťazou. Ak predsa len zaznamenáte spätný náraz, zabránite týmto, aby reťaz prišla do kontaktu s vaším telom alebo hlavou.
- Pri pílení nepohybujte pílou dozadu a dopredu – nechajte pracovať pílu. Reťaz udržiavajte ostrú a nepokúšajte sa pretláčať reťaz cez rez.
- V konečnej fáze rezu na pílu netlačte. Buďte pripravení udržať hmotnosť píly, po prepílení dreva. V opačnom prípade môže dôjsť k prípadnému závažnému osobnému poraneniu.
- Nezastavujte pílu v strede pílenia. Nechajte ju bežať, kým nevyjde úplne z rezu.

Osobné ochranné pomôcky

Osobné ochranné prostriedky of dostatočnej kvalite, aké používajú profesionáli, pomôžu znížiť riziko zranenia obsluhujúcej osoby. Pri práci s reťazovou pílou je nevyhnutné používať nasledujúce položky:

Bezpečnostná helma

- musí spĺňať EN 397 a mať označenie CE

Ochrana sluchu

- musí spĺňať EN 352-1 a mať označenie CE

Ochrana zraku a tváre

- musí mať označenie CE a spĺňať EN 166 (pre ochranné okuliare) alebo EN 1731 (pre mriežkové prieryzy)

Rukavice

- musí spĺňať EN 397 a mať označenie CE

Ochrana nôh (chrániče)

- musia spĺňať EN381-5, mať označenie CE a zabezpečovať všestrannú ochranu.

Bezpečnostné topánky pre reťazovú pílu

- musí spĺňať EN ISO 20345:2004 a mať označenie štítu s vyobrazením reťazovej píly podľa EN 381-3. (Príležitostní používateľia môžu používať bezpečnostné čižmy vybavené oceľovými špičkami s ochrannými gumákmi, ktoré spĺňajú EN 381-9, pokiaľ je terén rovný a existuje len minimálne riziko zakopnutia alebo zachytenia sa o podstat)

Plášte pre reťazové píly na ochranu hornej polovice tela

- musí spĺňať EN 381-1 a mať označenie CE

MONTÁŽ

VAROVANIE

Ak nejaké predmety chýbajú alebo sú viditeľne poškodené, nepracujte s týmto strojom, kým sa súčasťi nevymenia. Pri nerešpektovaní tejto výstrahy by mohlo dôjsť k vážnemu poraneniu osôb.

MONTÁŽ PÍLOVEJ REŤAZE A VODIACEJ LIŠTY

Pozrite stranu 273, Obr. 5 - 8.

1. Zastavte zariadenie. Používajte ochranné rukavice.
2. Deaktivácia brzdy reťaze.
3. Odskrutkujte poistné tlačidlo vodiacej lišty a odstráňte kryt reťazového kolesa.
4. Nasadte ochranný kryt a zostavu napnutia reťaze na reťazovú pílu. Spustíte ochranný kryt, aby maticová skrutka prešla cez otvor v kryte a zostave napnutia reťaze.
5. Pílová reťaz musí byť otočená v smere otáčania reťaze. Ak sú orientované dozadu, otočte celú reťaz.
6. Nasadte slučku okolo hnacieho reťazového kolesa. Články reťazového prevodu vložte do drážky lišty. V prípade potreby otočte zostavu napnutia reťaze, aby sa na reťaz vyvinulo určité napnutie, ktoré ju lepšie udrží na mieste.
7. Znova nasadte kryt reťazového kolesa.
8. Nastavte napnutie reťaze. Pozrite sekciu "Nastavenie napnutia reťaze".

NASTAVENIE NAPNUTIA REŤAZE

Pozrite stranu 286.

1. Uvoľnite trochu poistné tlačidlo vodiacej lišty jeho otočením proti smeru hodinových ručičiek.
2. Ak chcete zväčšiť napnutie reťaze, otáčajte nastavovací krúžok napnutia reťaze v smere pohybu hodinových ručičiek a často kontrolujte napnutie reťaze. Ak chcete zmenšiť napnutie reťaze, otáčajte nastavovací krúžok

napnutia reťaze proti smeru pohybu hodinových ručičiek a často kontrolujte napnutie reťaze.

3. Napnutie reťaze je správne, keď medzera medzi medzi nožom v reťazi a lištou približne 3 mm až 4 mm. Potiahnite reťaz v strede spodnej strany nadol (smerom od lišty) a odmerajte vzdialenosť medzi lištou a nožmi reťaze.
4. Utiahnite poistné tlačidlo vodiacej lišty jeho otáčaním v smere pohybu hodinových ručičiek.

POZNÁMKA: Pri štandardnej prevádzke teplota reťaze rastie, čo spôsobuje, že sa reťaz rozťahuje. Napnutie reťaze kontrolujte pravidelne a podľa potreby reťaz napnite. Reťaz napínaná za tepla môže byť po vychladnutí príliš napnutá. Dbajte na to, aby napnutie reťaze bolo správne nastavené, podľa špecifikácií v tejto príručke.

OBSLUHA PRODUKTU

PALIVO A PLNENIE PALIVOVEJ NÁDRŽE

Bezpečná manipulácia s palivom

VAROVANIE

Pred dopĺňaním paliva vždy vypnite motor. Nikdy nedolievajte palivo do nádrže, pokiaľ je motor zapnutý alebo pokiaľ je ešte horúci. Pred spustením motora sa postavte do vzdialenosti minimálne 10 m od miesta, kde ste nalievali palivo do nádrže. Nefajčite! Nedodržanie tohto pokynu môže spôsobiť vážne zranenie.

VAROVANIE

Skontrolujte, či neuniká palivo. Ak zistíte akékoľvek, pred použitím zariadenia ich odstráňte, aby nedošlo k požiaru alebo poraneniu následkom popálenia.

- S palivom vždy manipulujte opatrne, je vysoko zápalné.
- Palivo vždy dopĺňajte v exteriéri, mimo zápalných zdrojov a nevychújte palivové výpary.
- Vyvarujte sa priameho kontaktu s benzínom alebo olejom. Ak nedôjde okamžite ku kontaktu, umyte mydlom a množstvom vody.
- Dávajte pozor, aby nedošlo k vystreknutiu benzínu alebo oleja do očí. Pri vniknutí benzínu alebo oleja do očí si ich ihneď dôkladne vypláchnite čistou vodou. Ak je očná sliznica podráždená, ihneď vyhľadajte lekára.

Palivová zmes

- Tento výrobok je vybavený dvojtaktným motorom, ktorý na svoju prevádzku potrebuje zmes benzínu a syntetického oleja pre dvojtaktné motory. Zmiešajte bezolovnatý benzín a syntetický olej pre dvojtaktné motory v čistej nádobe, ktorá zodpovedá bezpečnostným predpisom.
- Tento motor používa bezolovnatý benzín pre motorové vozidlá s oktánovým číslom 91 ([R + M]/2) a viac.
- Nepoužívajte žiadne vopred pripravené zmesi benzínu s olejom, ktoré sa predávajú na benzínových čerpacích staniciach. Tieto zmesi sú určené pre mopedy,

motocykle atď.

- Používajte vysokokvalitný dvojtaktné samomiešacie mazivo určené pre vzduchom chladené motory. Nepoužívajte automobilové mazivá, alebo dvojtaktné pomocné mazivá.
- Vmiešajte 2 % oleja do benzínu. Teda v pomere 50:1.
- Pred doplnením paliva do nádrže palivovú zmes dôkladne premiešajte.
- Pripravte palivovú zmes v malom množstve. Nepripravujte si zmes viac než na mesiac dopredu. Odporúča sa dvojdobé mazivo s obsahom stabilizátora paliva.

POZNÁMKA: Poškodenie prístroja, alebo problémy s výkonom vyplývajúce z použitia oksyločneného paliva s percentuálnou hodnotou vyššou ako predpísané nie je kryté zárukou.

Doplňanie palivovej nádrže

Pozrite stranu 273.

- Vyčistíte povrch okolo uzáveru, aby nedošlo ku kontaminácii paliva.
- Pomaly uvoľnite palivové viečko.
- Pomaly a opatrne nalejte palivo do nádrže. Dávajte pozor, aby ste palivo nerozliali.
- Predtým, ako uzáver znovu zaskrutkujete, vyčistite tesnenie a skontrolujte jeho stav.
- Ihneď nasadíte uzáver a pevne ho pritiahnite. Akýkoľvek rozliaty benzín ihneď utrite.

POZNÁMKA: Je normálne, že motor má vychádzať dym počas a po prvom použití.

PRIDÁVANIE MAZACIEHO OLEJA REŤAZE

Pozrite stranu 273.

VAROVANIE

Nikdy nepracujte bez maziva reťaze! Ak pílová reťaz beží bez maziva, vodiaca lišta a pílová reťaz môžu byť poškodené. Preto je nevyhnutné pravidelne a vždy pred použitím reťazovej píly kontrolovať hladinu oleja v hladinomeri s prierezom.

1. Vyčistíte plochu v okolí olejového viečka, aby nedošlo ku kontaminácii.
2. Odskrutkujte a odstráňte viečko z olejovej nádrčky.
3. Do olejovej nádrčky nalejte olej a sledujte hladinomer oleja. Dbajte na to, aby do olejovej nádrčky pri naplnení nevnikli žiadne nečistoty.
4. Znova nasadíte a utiahnite olejové viečko. Prípadne vyliaty olej utrite.
5. Jedna plná olejová nádrčka umožňuje používanie píly po dobu 20 - 40 minút.

POZNÁMKA: Správne fungujúci systém mazania reťaze a krytu štandardne vypúšťa olej z reťaze počas prevádzky. Ak chcete skontrolovať funkčnosť systému mazania reťaze a krytu, nasmerujte hrot reťaze na svetlo sfarbený povrch, napríklad noviny. Po krátkej dobe by sa mali pozorovať zreteľné striekance oleja.

Odporúčaný mazací olej reťaze

- Výrobca odporúča používať len mazací olej na reťazové píly značky Ryobi. (K dispozícii v autorizovanom servisnom centre)

SPUSTENIE PRODUKTU

Metóda štartovania sa líši v závislosti od toho, či je motor studený alebo horúci.

VAROVANIE

Postavte sa vľavo od dráhy reťaze. Nikdy nestojte rozkročení nad pílou či reťazou, ani sa nenakláňajte v smere dráhy reťaze.

- Položte produkt na zem a dbajte na to, aby v blízkosti neboli žiadne predmety alebo prekážky, ktoré by sa mohli dostať do kontaktu s lištou a reťazou.
- Pevne držte prednú rukoväť ľavou rukou a pravou nohou prišliapnite zadnú rukoväť.

POZNÁMKA: Pri nasledujúcom pokyne na spustenie, keď je páčka sýtiča úplne vytiahnutá v polohe START, škrtiaca klapka je nastavená na spustenie. Ak chcete vrátiť škrtiacu klapku do polohy RUN, stlačte a uvoľnite regulačný spínač.

Spustenie studeného motora:

Pozrite strany 272 - 273.

1. Prepnite spínač zapalovania do zapnutej polohy.
2. Skontrolujte, či brzda reťaze je v polohe BRAKE – zatlačte páčku/chránič ruky dopredu.
3. Stlačte 10-krát GUMOVÝ BALÓNIK .
4. Vytiahnite páčku sýtiča úplne do polohy ŠTART.
5. Pri teplote vyššej ako 10°C potiahnite štartovaciu rúčku pokiaľ motor nezačne štartovať, ale nie viac ako tri krát. Pri teplote nižšej ako 10°C ju ťahajte, ale nie viac ako 5 krát.
6. Zatlačte páčku sýtiča do polovičnej polohy. Poťahujte rukoväť štartéra, kým sa motor nespustí.
7. Zatlačte poistku spúšte a stlačte regulačný spínač, potom ho uvoľnite a nechajte motor bežať na voľnobeh.
8. Nechajte motor bežať na voľnobeh 15 – 30 sekúnd.
9. Pred pridaním plynu na motore alebo rezaním dreva skontrolujte, či brzda reťaze v prevádzkovej polohe – potiahnite páčku/chránič ruky dozadu.

VÝSTRAHA

Ak neuvoľníte páčku polovičného plynu, keď bude páčka brzdy reťaze v zabrzdenej polohe, môže dôjsť k vážnemu poškodeniu výrobku. Nikdy nestláčajte páčku plynu, keď bude brzda reťaze v zabrzdenej polohe.

Spustenie teplého motora:

Pozrite stranu 281.

1. Prepnite spínač zapalovania do zapnutej polohy.
2. Skontrolujte, či brzda reťaze je v polohe BRAKE – zatlačte páčku/chránič ruky dopredu.
3. Stlačte primárnu banku 10-krát.
4. Potiahnite páčku sýtiča na doraz do polohy "START" (štart) a potom ju potlačte späť do polohy "START" (beh).

- Potahujte za ruku štartéra, kým sa motor nespustí, ale nie viac ako 5-krát. Zatláčte poistku spúšte a stlačte regulačný spínač, potom ho uvoľnite a nechajte motor bežať na voľnobeh. Ak sa motor nespustí po 5 potiahnutiach, použite postup na studený štart motora.
- Pred pridaním plynu na motore alebo rezaním dreva skontrolujte, či brzda reťaze v prevádzkovej polohe – potiahnite páčku/chrániča ruky dozadu.

PREPÍNANIE MEDZI PREVÁDZKOVÝMI REŽIMAMI

Pozrite stranu 287.

Produkt je vybavený funkciou proti zamrznutiu, ktorá zabraňuje tvorbe ľadu vnútri karburátora počas práce pri teplotách $\leq 5^{\circ}\text{C}$.

Vetracie dvierka na pravej strane krytu čističa vzduchu je možné premiestniť tak, aby sa teplý vzduch privádzal do motora a bránil tvorbe ľadu vnútri karburátora.

VAROVANIE

Pri neprepnutí režimu zo štandardného na nemrznúci pri teplotách $\leq 5^{\circ}\text{C}$ sa zníži výstupný výkon motora alebo povedie k jeho poruche.

Vždy vráťte produkt do štandardného prevádzkového režimu, pokiaľ nehrozí riziko tvorby ľadu vnútri karburátora. Pri neprepnutí režimu z nemrznúceho na štandardný pri normálnych teplotách môže dôjsť k poruche motora.

ZASTAVENIE MOTORA

Uvoľnite páčku plynu a nechajte motor bežať vo voľnoběžných otáčkach. Motor vypnete prepnutím spínača zapalovania do polohy "O" (vypnuté). Nekladte reťazovú pílu na zem, kým sa reťaz otáča. Pre zvýšenie bezpečnosti zaistite reťaz brzdou reťaze, keď nebudete pílu používať.

Ak sa píla prepnutím spínača zapalovania nezastaví, vytiahnite páčku sýtiča úplne do vytiahnutej polohy (plný sýtič) a použitím brzdy reťaze zastavte motor. Ak sa píla nedá zastaviť prepnutím spínača zapalovania do polohy "O", dajte spínač opraviť pred ďalším použitím píly, aby ste zabránili riskantným podmienkam alebo vážnemu zraneniu.

POZNÁMKA: Po skončení práce s produktom vždy uvoľnite tlak v nádrži uvoľnením a následným utiahnutím viečok maziva reťaze a paliva. Pred uskladnením píly nechajte motor vychladnúť.

DRŽANIE PRODUKTU

Pozrite stranu 273.

Reťazovú pílu vždy držte pravou rukou na zadnej rukoväti a ľavou rukou na pravej rukoväti. Uchopte obe rukoväte, aby palce a prsty obopínali rukoväte. Dbajte na to, aby vaša ľavá ruka držala prednú rukoväť tak, že palec je zospodu.

KONTROLA A OBSLUHA BRZDY REŤAZE

- Brzdu reťaze aktivujete tak, že otočíte ľavou rukou okolo prednej rukoväte. Zadnou stranou ruky potlačte páčku brzdy reťaze alebo chrániča ruky smerom k lište, kým sa reťaz rýchlo otáča. Neustále držte obe ruky na rukovätiach produktu.
- Znova nastavte brzdu reťaze do polohy RUN – uchopte

vrchnú časť páčky brzdy/chrániča ruky a potiahnite smerom k prednej rukoväti.

VAROVANIE

Ak reťazová brzda nezastaví reťaz okamžite, alebo ak reťazová brzda nezostáva v polohe RUN bez pomoci, pred použitím zoberť pílu do autorizovaného servisného centra na opravu.

VAROVANIE

Pri uvoľnení regulačného spínača pri motore bežiacom na voľnobeh sa reťaz píly nesmie pohybovať. Ak sa ďalej pohybuje, hrozí nebezpečenstvo závažného poranenia obsluhujúceho. Vráťte produkt do autorizovaného servisného centra na profesionálne nastavenie.

KONTROLA SPOJKY

- Deaktivujte brzdu reťaze potiahnutím páčky brzdy/chrániča ruky smerom k prednej rukoväti, kým nezačujete cvaknutie.
- Nechajte motor bežať na voľnobeh. Uistite sa, že reťaz píly sa neotáča. Ak reťaz otáča, zatiaľ čo beží pri voľnoběžných otáčkach, môže dôjsť k poškodeniu spojky. Na zariadenie nevyvíjajte silu. Vráťte ho do autorizovaného servisného centra na profesionálne nastavenie.
- Zatláčte regulačný spínač do polovice a pusťte produkt na strednej rýchlosti. Reťaz píly sa musí hladko otáčať, ak je spojka v dobrom prevádzkovom stave.

Príčiny spätného nárazu a ako mu možno predchádzať:

Keď sa špička vodiacej lišty dotkne nejakého predmetu alebo keď sa reťaz zakliesni v reze, môže dôjsť k spätnému rázu.

Kontakt hrotu môže v niektorých prípadoch spôsobiť náhlu zvrtnú reakciu, odhodíť vodiacu lištu nahor a dozadu smerom k obsluhujúcemu.

Pri zovretí pílovej reťaze pozdĺž horného okraja vodiacej lišty môže prudko postrčiť vodiacu lištu dozadu smerom k obsluhujúcemu.

Pri každej z týchto reakcií môže dôjsť k strate kontroly nad nástrojom, čo by mohlo spôsobiť závažné osobné poranenie. Nespoliehajte sa len na bezpečnostné prvky reťazovej píly. Pri obsluhu reťazovej píly je potrebné prijať určité opatrenia na zabránenie vzniku úrazov alebo zranení pri rezacích prácach:

Spätný náraz je výsledok nesprávneho používania nástroja a/alebo nesprávnych prevádzkových postupov a možno mu predchádzať vykonávaním príslušných predbežných opatrení uvedených nižšie:

- **Udržiavajte pevný úchop, pri ktorom palce a prsty obopínajú rukoväte reťazovej píly a obe ruky sú umiestnené na píle a vaše telo je v polohe, ktorá vám umožní odolávať sile spätného nárazu.** Sily spätného nárazu môže kontrolovať obsluhujúci, ak podnikne príslušné predbežné opatrenia. Reťazovú pílu nepúšťajte.
- **Nesiahajte príliš ďaleko a nepíľte nad výškou pleiec.** Tak predídete neúmyselnému kontaktu hrotu a zaistíte

si lepšiu kontrolu nad reťazovou pilou v neočakávaných situáciách.

- **Používajte len náhradné lišty a reťaze špecifikované výrobcom.** Nesprávne náhradné lišty a reťaze môžu spôsobiť pretrhnutie reťaze a/alebo spätný náraz.
- **Dodržiavajte pokyny výrobcu na údržbu reťaze pily.** Pri poklese obmedzovacej pátky môže dochádzať k častejšiemu spätnému nárazu.

TLAK A ŤAH

Pozrite stranu 279.

Spätne pôsobenie (reakcia) je vždy v opačnom smere, ako je smer otáčania reťaze. Taktó musí byť obsluhujúca osoba pripravená mať pod kontrolou tendenciu zariadenia odťahnúť sa (pohyb dopredu) pri plnení na spodnom okraji lišty a odstrániť sa dozadu (smerom k obsluhujúcej osobe) pri plnení pozdĺž vrchného okraja.

PÍLA ZASEKNUTÁ V REZE

Zastavte pílu a zaistite ju. Nevyťahujte nasilu reťaz a lištu von z rezu, inak sa reťaz pravdepodobne pretrhne a následne môže vyletieť dozadu a udrieť obsluhujúcu osobu. Táto situácia bežne nastane, lebo drevo je nesprávne podporené a dochádza k násilnému uzatvárania rezu pod tlakom, čím dochádza k zovretiu ostria. Ak pri úprave podpory nedôjde k uvoľneniu lišty a reťaze, pomocou drevených klinov alebo páky rozvorte rez a uvoľnite produkt. Nikdy sa nepokúšajte spustiť reťazovú pílu, keď je vodiaca lišta už v reze alebo záreze.

POKYNY TÝKAJÚCE SA SPRÁVNYCH TECHNÍK PRE ZÁKLADNÉ PORÁŽANIE, ODVETVOVÁVANIE A PRERÉZÁVANIE

Porozumenie silám v dreve

Keď porozumiete smerovým tlakom a pnutiám v dreve, môžete redukovať výskyt „zovretí“ alebo ich aspoň pri plnení očakávať. Pnutie v dreve znamená, že vlákna sú ťahané od seba a ak pilíte v tejto oblasti, „zárez“ alebo rez, ako píla postupuje ďalej, bude mať tendenciu otvárať sa. Ak je poleno podpierané na koze a jeho koniec vidí bez podpory cez okraj, na hornej ploche vzniká pnutie, lebo hmotnosť prečnievajúceho polena natahuje vlákna. Podobne, spodná strana polena bude stláčaná a vlákna tlačené dokopy. Pri vykonaní rezu v tejto oblasti bude mať zárez tendenciu počas rezania sa uzatvárať. Tým dôjde k zovretiu ostria.

Porážanie stromu

Pozrite stranu 277 - 278.

Pri skraccovaní a porážaní dvoma alebo viacerými osobami súčasne je potrebné oddeliť porážanie od skraccovania vzdialenosťou minimálne dvojnásobku výšky porázaného stromu. Stromy sa nesmú porážať spôsobom, ktorý by ohrozil akúkoľvek osobu, zasiahol akúkoľvek inžiniersku sieť alebo spôsobil škody na majetku. V prípade, že strom predsa zasiahne nejakú inžiniersku sieť, je potrebné bezodkladne upovedomiť príslušnú spoločnosť.

Ak pracujete na teréne so sklonom, stojte vždy s pilou hore na svahu, keďže strom sa môže po spílení šmykať alebo gúľať smerom dole.

Pred zahájením pílenia musí byť úniková trasa naplánovaná

a vyčistená. Úniková cesta by mala presahovať dozadu a diagonálne po zadnú časť očakávanej línie pádu.

Pred zahájením porážania zhodnotte prirodzené naklonenie stromu, polohu väčších konárov a smer vetra a určite tak pravdepodobný smer pádu stromu.

Zo stromu odstráňte hlinu, kamene, voľnú kôru, klinec, strmene a drôty.

Nepokúšajte sa porážať stromy, ktoré sú prehnité alebo boli poškodené vetrom, ohňom, bleskom a pod. Je to veľmi nebezpečné a môžu to vykonávať len profesionálni stromoví chirurgovia.

Podtínací rez

Pozrite stranu 277 - 278.

Vykonajte tento rez do 1/3 priemeru stromu kolmo na smer pádu. Najskôr urobte spodný vodorovný podtínací rez. Predídete tak zovretiu pilovej reťaze alebo vodiacej lišty pri vykonávaní druhého zárezu.

Zadný podtínací rez

Pozrite stranu 277 - 278.

Zadný podtínací rez vykonajte minimálne o 50 mm vyššie ako vodorovný podtínací rez. Zadný podtínací rez vykonajte kolmo na vodorovný podtínací rez. Zadný podtínací rez vykonajte tak, aby ako pánt poslužil dostatok dreva. Drevo slúžiace ako pánt zabráni skrúteniu stromu a jeho pádu nesprávnym smerom. Cez pánt nepilte.

Ako sa podtínací rez bliži k pántu, strom by mal začať padať. Ak existuje akákoľvek možnosť, že strom nespadne požadovaným smerom alebo sa nakloní opačným smerom a zovrie pilovú reťaz, prestaňte píliť pred dokončením zadného podtínacieho rezu a pomocou klinov z dreva, plastu alebo hliníka otvorte rez a zvalte strom požadovaným smerom pádu.

Keď strom začne padať, vyberte reťazovú pílu z rezu, zastavte motor, spustíte reťazovú pílu nadol a potom použite naplánovanú únikovú trasu. Dávajte pozor na padajúce konáre nad hlavou a sledujte, kam stúpate.

Odstraňovanie koreňových nábehov

Pozrite stranu 278.

Koreňový nábeh je veľký koreň, ktorý vychádza z kmeňa stromu nad zemou. Pred spíľovaním stromu odstráňte všetky veľké koreňové nábehy. Najprv urobte do koreňového nábehu vodorovný rez a potom zvislý rez. Odstráňte odrezané časti z pracovnej zóny. Po odstránení koreňových nábehov môžete začať spíľovať.

Skracovanie guľatiny

Pozrite stranu 279.

Skracovanie je pílenie polien na určité dĺžky. Je dôležité aby ste si zabezpečili pevnú oporu nôh a hmotnosťou rovnomerne rozloženou na oboch nohách. Keď je to možné, guľatinu nadvíhňte a podoprite pomocou konárov, inej guľatiny alebo klinov. Dodržiavajte jednoduchý návod na jednoduché pílenie. Keď je guľatina podpretá po celej dĺžke, píli sa z vrchu (zhora).

Keď je guľatina podpretá na jednom konci, odpíľte 1/3 priemeru zo spodnej strany (zospodu). Potom vykonajte záverečný rez zospodu, ktorý sa spojí s prvým rezom.

Keď je guľatina podpretá na oboch koncoch, odpíľte 1/3 priemeru z vrchnej strany (zhora). Potom vykonajte

záverečný rez spodných 2/3, ktorý sa spojí s prvým rezom. Pri skracovaní na svahu vždy stojte na hornej strane guľatiny. Aby ste pri prerezávaní udržali maximálnu kontrolu, uvoľnite rezný tlak pri konci rezu, pričom neuvolňujte uchopenie na rukovätiach reťazovej pily. Nedovoľte, aby sa reťaz dotkla zeme. Po dokončení rezu počkajte, kým sa reťaz nezastaví a až potom pohybujte reťazovou pilou. Pred presunom od stromu k stromu vždy zastavte motor.

Odvetvovanie stromu

Pozrite stranu 280.

Odvetvovanie je odstraňovanie konárov z porazeného stromu. Pri odvetvovaní nechajte väčšie spodné konáre, aby držali kmeň nad zemou. Malé konáre odstráňte jedným rezom. Napnuté konáre sa musia rezať zdola nahor, aby nedošlo k zovretiu reťazovej pily.

Rezanie napnutých vetiev

Pozrite stranu 280.

Drevo pod pnutím je akékoľvek poleno, vetva, zakorenený peň alebo mladý strom, ktoré sú ohnuté pod tlakom iného dreva a ktoré sa po odrezaní alebo odstránení vymršťa späť.

U spileného stromu sa môže zakorenený peň vymrštiť smerom hore pri oddeľovaní rezaného kusa od pňa. Dávajte pozor na drevo pod pnutím, je nebezpečné. Nepokúšajte sa ohýbať konáre alebo pahýle, ktoré sú napnuté, pokiaľ na to nemáte profesionálny výcvik a kompetencie.

PREPRAVA A SKLADOVANIE

- Pred uskladnením alebo prepravou zastavte motor, aktivujte brzdú reťaze, odpojte vodič zapalovacej sviečky od zapalovacej sviečky a nechajte zariadenie vychladnúť.
- Odstráňte zo zariadenia všetky cudzie materiály.
- Vylejte palivo z nádrže do kanistra alebo do inej nádoby, určenej na uchovávanie benzínu. Nezabudnite správne znova nasadiť to a utiahnuť viečko palivovej zmesi.
- Nechajte motor bežať, kým sa sám nezastaví. Tým sa z nádrže odčerpá všetko palivo a odstráni sa zvyšky, ktoré by sa mohli usadiť v potrubí.
- Vypustíte všetok olej z olejovej nádrže do nádoby určenej na olej. Nezabudnite správne znova nasadiť to a utiahnuť viečko maziva reťaze.
- Predtým, ako zariadenie odložíte alebo počas prepravy nasadíte kryt vodiacej lišty.
- Odložte ho na suché a dobre vetrané miesto, na ktoré nemajú prístup deti. Nariadenie neuskladňujte v blízkosti žieravých látok, ako napríklad v blízkosti záhradníckych chemických prípravkov alebo solí na zimný posyp komunikácií. Neskladujte v exteriéri.
- Pri prenášaní produktu na kratšiu vzdialenosť (z jedného miesta práce na iné) vždy aktivujte brzdú reťaze, aby sa reťaz pily nemohla pohybovať.
- Pri preprave zaistíte produkt pred pohybom alebo pádom, aby nedošlo k poraneniu osôb alebo poškodeniu produktu.
- Neprenášajte ani neprepravujte nástroj, kým je motor

spustený.

Oboznámte sa so všetkými vládnymi a miestnymi predpismi týkajúcimi sa bezpečného skladovania a manipulácie s palivom. Zvyšné palivo môžete použiť pre iné nariadenie poháňané dvojtaktným motorom.

ÚDRŽBA

Produkt vždy udržiavajte v dobrom pracovnom stave.

VAROVANIE

Používajte len originálne náhradné diely, príslušenstvo a nástavce výrobcu. V opačnom prípade môže dôjsť k možnému poraneniu, nedostatočnému výkonu a strate platnosti záruky.

VAROVANIE

Údržba vyžaduje extrémnu starostlivosť a znalosti, a musí byť prevádzkaná výhradne v autorizovanom servise. Pri servise a opravách musíte odovzdať produkt do najbližšieho autorizovaného servisného centra. Ak výrobok opravujete, používajte iba rovnaké originálne náhradné diely.

VAROVANIE

Pre kontrolu, čistením alebo servisom produktu zastavte motor, aktivujte brzdú reťaze a odpojte vodič zapalovacej sviečky od zapalovacej sviečky. Nedodržanie týchto pokynov môže spôsobiť vážne zranenia alebo poškodenie majetku.

- Môžete vykonávať úpravy a opravy popísané v tejto príručke. Pri ostatných opravách sa obráťte na autorizovaného servisného zástupcu.
- Následkami nesprávnej údržby môže byť nesprávne fungovanie brzdy reťaze a ostatných bezpečnostných funkcií, čím sa zvyšuje potenciál závažného poranenia. Reťazovú pilu udržiavajte správnu údržbou a v bezpečí.
- Bezpečné ostrenie reťaze je úloha vyžadujúca určitú zručnosť. Preto výrobca dôrazne odporúča nahradiť opotrebovanú alebo tupú reťaz za novú, ktorá je dostupná v autorizovanom servisnom centre Ryobi. Číslo dielu nájdete v tabuľke špecifikácií produktu v tomto návode.
- Dodržiavajte pokyny na mazanie a kontrolu a nastavovanie napnutia reťaze.
- Po každom použití vyčistite produkt mäkkou suchou tkaninou.
- Skontrolujte všetky skrutky, matice v častých intervaloch či sú riadne utiahnuté, aby sa zaistila bezpečná prevádzka produktu. Akýkoľvek poškodený diel sa musí náležite opraviť alebo vymeniť v autorizovanom servisnom centre.

VÝMENA VODIACEJ LIŠTY A PÍLOVEJ REŤAZE

Pozrite stranu 282 - 285.

1. Zastavte zariadenie. Používajte ochranné rukavice.
2. Deaktivácia brzdy reťaze.

EN
FR
DE
ES
IT
NL
PT
DA
SV
FI
NO
RU
PL
CS
HU
RO
LV
LT
ET
HR
SL
SK
BG

- Odskrutkujte poistné tlačidlo vodiacej lišty a odstráňte kryt reťazového kolesa.
- Odsťráňte lištu a reťazovú pílu z jednotky.
- Vyčistíte spodok paluby reťazového kolesa.
- Ak chcete vymeniť lištu za novú, uvoľnite skrutku zostavy napnutia reťaze. Namontujte zostavu napnutia reťaze na novú lištu a utiahnite maticu.
- Nasadte ochranný kryt a zostavu napnutia reťaze na reťazovú pílu. Spustíte ochranný kryt, aby maticová skrutka prešla cez otvor v kryte a zostave napnutia reťaze.
- Pílová reťaz musí byť otočená v smere otáčania reťaze. Ak sú orientované dozadu, otočte celú reťaz.
- Nasadte slučku okolo hnacieho reťazového kolesa. Články reťazového prevodu vložte do drážky lišty. V prípade potreby otočte zostavu napnutia reťaze, aby sa na reťaz vyvinulo určité napnutie, ktoré ju lepšie udrží na mieste.
- Znova nasadte kryt reťazového kolesa.
- Nastavte napnutie reťaze. Pozrite sekciu "Nastavenie napnutia reťaze".

ČISTENIE VZDUCHOVÉHO FILTRA

Pozrite stranu 290.

- Zastavte zariadenie. Skontrolujte, či je brzda reťaze v zabrzdenej polohe.
- Odskrutkujte zaisťovacie tlačidlo na kryte vzduchového filtra a odstráňte ho z produktu.
- Vyberte vzduchový filter.
- Kefou odstráňte prach a nečistoty na vzduchovom filtrí. V prípade potreby rozštiepte vzduchový filter pomocou plochého skrutkovača a vyčistíte vnútro.
- Znova nasadte kryt vzduchového filtra a utiahnite poistné tlačidlo.

ČISTENIE LAPAČA ISKIER

Pozrite stranu 291.

VAROVANIE

Tlmič je počas prevádzky a po nej horúci. Aby nedošlo k závažnému poraneniu osôb, počas práce ani po nej nedávajte žiadnu časť tela do blízkosti tlmiča.

- Zastavte zariadenie. Skontrolujte, či je brzda reťaze v zabrzdenej polohe. Nechajte tlmič vychladnúť.
- Odsťráňte skrutku, ktorá pridrižiava kryt tlmiča na ozubenej opierke, potom odstráňte dve matice na kryte tlmiča.
- Odsťráňte kryt tlmiča.
- Vyberte lapač iskier. Mriežku lapača iskier vyčistíte pomocou malej kefy.
- Znova nasadte kryt tlmiča. Ak chcete znova nasadiť kryt tlmiča, zopakujte tieto kroky v opačnom poradí.

VAROVANIE

Nárazové ostrie je bezpečnostné zariadenie na produkte. Po opätovnom nasadení krytu tlmiča ho zaistíte pomocou správnej skrutky. Pri nedodržaní týchto pokynov môže dôjsť k závažnému poraneniu osôb alebo poškodeniu majetku.

KONTROLA A ČISTENIE BRZDY REŤAZE

Pozrite stranu 294.

- Mechanizmus brzdy reťaze vždy udržiavajte v čistote – jemne okefujte spoje od špiny.
- Po čistení vždy skontrolujte výkonnosť brzdy reťaze.
- Ďalšie informácie nájdete v časti „Prevádzka - Kontrola a obsluha brzdy reťaze“ v vyššie v tejto príručke.

PRED KAŽDÝM POUŽITÍM VYČISTITE PRACOVISKO, NA PREPCHANOM A NEUPRAVENOM PRACOVISKU MÔŽE DOCHÁDZAŤ K NEHODÁM.

VAROVANIE

Nesprávne nastavenie karburátora môže zvýšiť riziko poranení, smrteľných nehôd alebo poškodenia produktu. Ak chcete vykonať nastavenie karburátora, prineste produkt do autorizovaného servisného centra.

URNÍK VZDRŽEVANJA

Každodenné čistenie	
Palivová zmes	Pred každým použitím
Mazanie meča	Pred každým použitím
Napetost verige	Pred každým použitím a pravidelne
Spojka angažovanosť (reťaz sa pri voľnobehu nehýbe)	Pred každým použitím
Ostrivo verige	Pred každým použitím, vizuálna kontrola
Poškodovanost delov	Pred každým použitím
Privitost pritrčil	Pred každým použitím
Odvitost delov	Pred každým použitím
Funkcia brzdy reťaze	Pred každým použitím
Pri únikoch paliva	Pred každým použitím

PREVERITE IN OČISTITE

Lišta	Pred každým použitím
Celotno žago	Po vsakí uporabi
Vzduchový filter	Každých 5 hodín*
Brzda reťaze	Každých 5 hodín*
Zamenjajte filter za gorivo	Ročne

Zamenajte filter za gorivo	Ročne
----------------------------	-------

*Ure obratovania

ZVÝŠKOVÉ RIZIKÁ:

Aj keď sa nástroj používa podľa predpisu, nie je možné eliminovať určité zvyškové rizikové faktory. Pri použití vznikajú nasledujúce riziká a obsluhujúca osoba musí venovať zvláštnu pozornosť, aby nedošlo k nasledovnému:

- Zranenie spôsobené vibráciami. Vždy používajte vhodný nástroj pre danú úlohu, používajte určené rukoväte a obmedzte pracovný čas a mieru rizika.
- Vystavovanie hluku môže spôsobiť poranenie sluchu. Používajte ochranu sluchu a obmedzte expozíciu.
- Kontakt s obnaženými zubami reťaze reťazovej pily (nebezpečenstvo porezania).
- Neočakávaný, náhly pohyb alebo spätný náraz vodiace lišty (nebezpečenstvo porezania).
- Diely vymrštené z pilovej reťaze (nebezpečenstvo porezania/vstreknutia).
- Vyvrhnuté kusy obrobku (drevené triesky, odštepky).
- Inhalácia prachu z pilenia a častíciek alebo emisií z benzínového motora.
- Kontakt pokožky z benzínom/olejom.

OBMEDZENIE RIZIKA

Boli hlásené prípady, kedy vibrácie z ručných nástrojov u niektorých osôb prispeli k stavu nazývanému Raynaudov syndróm. K symptómom patria: tŕpnutie, znecitlivenie a blednutie prstov, zvyčajne zjavné po vystavení zime. Je známe, že k vývoju týchto symptómov prispievajú: dedičné faktory, vystavovanie zime a vlhkosti, diéta, fajčenie a pracovné návyky. Opatrenia, ktoré môže vykonať obsluhujúca osoba na možné zníženie účinkov vibrácií:

- V studenom počasí udržiavajte svoje telo v teple. Pri práci s produktom noste rukavice, aby ste mali ruky a zápästia v teple. Boli hlásené prípady, kedy hlavným faktorom prispievajúcim k Raynaudovmu syndrómu bolo studené počasie.
- Po každom určitom časovom úseku prevádzky cvičte, aby ste zlepšili krvný obeh.
- Počas práce si dajte časté prestávky. Obmedzte počet vystavení za deň.
- Ochranné rukavice dostupné u profesionálnych predajcov reťazových pil sú určené špeciálne pre použitie s reťazovými pilami a zaisťujú ochranu a dobré uchenie. Aj rukavice znižujú účinok vibrácií rukoväte. Tieto rukavice musia spĺňať EN381-7 a mať označenie CE

Ak zistíte ktorýkoľvek zo symptómov tohto stavu, okamžite prerušte používanie zariadenia, navštívte svojho lekára a povedzte mu o symptómoch.

VAROVANIE

Pri dlhodobom alebo zvýšenom používaní môže dôjsť k zraneniam. Pri používaní nástroja príliš dlhé obdobia si vždy dajte pravidelné prestávky.

OBOZNÁMTE SA S VAŠIM PRODUKTOM

Pozrite stranu 271.

DIELY

1. Reťaz
2. Vodiaca lišta
3. Predný chránič ruky/brzda reťaze
4. Predná rukoväť
5. Kryt vzduchového filtra
6. Rukoväť štartéra
7. Zadná rukoväť
8. Tlmiaci klin
9. Kryt tlmíča
10. Uzáver palivovej nádrže
11. Uzáver olejovej nádrže
12. Spínač zapalovania
13. Západka plynovej páčky
14. Plynová páčka
15. Gumový balónik
16. Páčka sýtiča
17. Kombinovaný kľúč
18. Kryt reťazového kolesa
19. Zachytávač reťaze
20. Nastavovací krúžok napnutia reťaze
21. Poistné tlačidlo vodiacej lišty
22. Kryt vodiacej lišty

BEZPEČNOSTNÉ ZARIADENIA

PÍLOVÁ REŤAZ S NÍZKOU TENDENCIOU K SPÄTNÉMU RÁZU

Pilová reťaz so slabým spätným nárazom pomáha znižovať pravdepodobnosť, že dôjde k spätnému nárazu.

Výstupky (obmedzovače hĺbky) pred každým rezným zubom minimalizujú silu spätného rázu tým, že bránia rezným zubom príliš hlbokému vniknutiu v zóne spätného rázu. Používajte len kombinácie náhradných vodiacich lišt a reťazí odporúčaných výrobcom.

Po naostrení reťaze buďte veľmi opatrní, pretože ostrením sa znižuje vlastnosť ochrany pred spätným rázom. Pre vašu vlastnú bezpečnosť vymieňajte pilové reťaze pri poklese výkonnosti pilenia.

TLMIACI KLIN

Integrovaný tlmiaci klin môže byť použitý ústredný bod pri rezaní. Pomáha udržiavať stabilitu tela reťazovej pily pri rezaní. Pri pilení tlačte zariadenie dopredu, kým sa hroty nezahryznú do okraja dreva, potom pohybom zadnej rukoväte nahor alebo nadol v smere reznej línie pomáhajte zmierňovať fyzické prnutie rezania

VODIACE LIŠTY

Všeobecne majú vodiace lišty s hrotmi a malým polomerom o niečo menší potenciál spätného nárazu. Používajte len kombinácie náhradných vodiacich lišt a reťazí odporúčaných výrobcom. Pri používaní iných ako odporúčaných vodiacich lišt sa zvyšuje riziko straty kontroly pri pilení. Pravidelne kontrolujte napnutie reťaze. Pri pilení menších vetiev (menej ako plná dĺžka vodiacej lišty) je vyššia pravdepodobnosť, že dôjde k odhodneniu reťaze, pokiaľ jej napnutie nie je správne.

EN
FR
DE
ES
IT
NL
PT
DA
SV
FI
NO
RU
PL
CS
HU
RO
LV
LT
ET
HR
SL
SK
BG

BRZDA REŤAZE

Brzdy reťaze sú určené na rýchle zastavenie otáčajúcej sa reťaze. Reťaz sa musí okamžite zastaviť, keď sa páčka brzdy reťaze/chránič ruky zatlačia smerom k lište. Brzda reťaze nezabraňuje spätnému rázu. To len znižuje riziko zranenia, keby došlo ku kontaktu lišty reťaze s telom obsluhujúcej osoby v prípade spätného nárazu. Brzdu reťaze je potrebné pred každým použitím otestovať, či funguje správne v uvoľnenej aj zabrzdenej polohe.

ZACHYTÁVAČ REŤAZE

Zachytávač reťaze zabráňuje spätnému nárazu reťaze píly smerom k obsluhujúcemu, ak sa reťaz uvoľní alebo praskne.

SYMBOLY NA PRODUKTE



Výstražná značka



Pred použitím produktu si s porozumením prečítajte všetky pokyny a dodržiavajte výstražné a bezpečnostné upozornenia.



Používajte chrániče zraku, sluchu a hlavy.



Pri používaní tohto produktu používajte nešmykľavú obuv.



Používajte protišmykové odolné rukavice.



Dávajte pozor na spätný náraz reťazovej píly a vyhýbajte sa kontaktu s hrotom lišty.



Pri práci držte pílu pevne obidvomi rukami.



Reťazovú pílu nikdy neobsluhujte len jednou rukou.



Vyhovuje všetkým regulačným normám v krajine EÚ, v ktorej bol výrobok zakúpený.



Používajte len bezolovnatý benzín pre motorové vozidlá s oktanovým číslom 91 [(R + M)/2] a viac.



Pre vzduchom chladené motory použite olej pre 2-taktné motory.



Palivo miešajte dôkladne a rovnako aj pred každým jeho dopĺňaním.



Vždy pri dopĺňaní paliva do produktu pridajte olej na lištu na reťaz.



Nastavte brzdu reťaze do spustenej polohy.



Nastavte brzdu reťaze do zabrzdenej polohy.



Prepnite spínač zapalovania do zapnutej polohy.



Stlačte 10-krát GUMOVÝ BALÓNIK .



Nastavte páčku sýtiča do polohy „FULL“.



Potiahnite štartovacie lanko (nie viac ako päťkrát), kým nebudete počuť naštartovanie motora.



Nastavte páčku sýtiča do polohy „HALF“.



Poťahujte rukoväť štartéra, kým sa motor nespustí.



Zatlačte poistku spúšte a regulačný spínač.



Euroázijská značka zhody



Garantovaná hladina akustického výkonu je 112 dB



Mazivo na lištu a reťaz



Bezolovnatý benzín a olej pre dvojdobé motory.



Poloha zapnuté



Polovičná poloha sýtiča



Polohy „FULL“



Zamknuté

	Odomknuté
	Otáčaním nastavte napnutie reťaze + = Utiahnite reťaz - = Uvoľnenie reťaze
	Smer pohybu reťaze (Vyznačené pod krytom reťazového kolesa)
	Štandardný režim
	Režim proti zamrznutiu
T	Nastavenie voľnobehu
H	Ukazovateľ nastavenia vysokej rýchlosti
L	Ukazovateľ nastavenia nízkej rýchlosti

SYMBOLY V TOMTO NÁVODE

	Palivo miešajte vonku, v bezpečnej vzdialenosti od zdrojov iskrenia a otvoreného ohňa.
	Pri miešaním paliva alebo plnení palivovej nádrže nefajčite.
	Diely alebo príslušenstvo predávané samostatne
	Opotrebované elektrické zariadenia by ste nemali odhadzovať do domového odpadu. Prosíme o recykláciu ak je možné.
	Poznámka
	Varovanie!
	Používajte chrániče zraku a tváre.
	Používajte ochranu hornej polovice tela.

Používajte ochranu nôh.

Zastavte zariadenie.

Zaisťujte prístupový kryt filtra.

Odstiňte prístupový kryt filtra.

Nasledujúce značky a významy vysvetľujú úroveň rizika spojeným s výrobkom.

NEBEZPEČENSTVO

Označuje bezprostredne nebezpečnú situáciu, ktorá môže vyústiť v smrť, alebo vážne zranenie.

VAROVANIE

Označuje potenciálne nebezpečnú situáciu, ktorá môže vyústiť v smrť, alebo vážne zranenie.

VÝSTRAHA

Označuje potenciálne nebezpečnú situáciu, ktorá môže vyústiť v ľahké, alebo stredne ťažké zranenie.

VÝSTRAHA

Bez symbolu bezpečnostného alarmu

Označuje situáciu, ktorá môže zapríčiniť poškodenie majetku.

EN
FR
DE
ES
IT
NL
PT
DA
SV
FI
NO
RU
PL
CS
HU
RO
LT
LV
ET
HR
SL
SK
BG

Безопасността, производителността и надеждността са аспектите, на които е отделен най-голям приоритет при проектирането на вашия Бензинов верижен трион.

ПРЕДНАЗНАЧЕНИЕ

Продуктът е предназначен за използване само на открити и добре проветрени пространства. От съображения за безопасност този продукт трябва по всяко време да бъде управляван и контролиран стабилно с две ръце.

Продуктът е предназначен за рязане на клони, дънери, трупи и греди с диаметър, определен от режещата дължина на водещата шина. Предназначен е за рязане единствено на дърво. Верижният трион е предназначен за извършване на битови дейности от лица, които са преминали адекватно обучение и са запознати с опасностите и превантивните мерки/дейности, свързани с използването на инструментата.

Не използвайте продукта за цели, различни от описаните по-горе. Той не трябва да се използва за професионално рязане на дърва. Продуктът не трябва да се използва от деца, както и от лица, които не носят подходящи лични предпазни средства и облекло.

⚠ ПРЕДУПРЕЖДЕНИЕ

При използване на продукта трябва да се спазват правилата за безопасност. За осигуряване на вашата безопасност и тази на страничните наблюдатели трябва да прочетете тези инструкции, преди да работите с продукта. Трябва да посетите професионално организиран курс по безопасност относно използването, превантивните действия, оказването на първа помощ и поддръжката при работа с верижни триони. Съхранявайте ръководството за експлоатация на сигурно място, за да можете да го ползвате и по-късно.

⚠ ПРЕДУПРЕЖДЕНИЕ

Верижните триони са потенциално опасни инструменти. Инцидентите, свързани с използването на верижни триони, често завършват със загуба на крайници или смърт. Опасността не идва само от самия верижен трион. Падащите клони, повалените дървета и търкалящите се дънери също могат да убиват. Нездравият или гниещ дървен материал създава допълнителни опасности. Трябва внимателно да преценявате възможностите си за безопасно справяне със съответната дейност. Ако имате някакви съмнения, оставете работата на професионален лесовъд.

ОБЩИ ПРЕДУПРЕЖДЕНИЯ ЗА БЕЗОПАСНОСТ

- В някои региони действат наредби, които ограничават употребата на продукта. За съвети се обръщайте към местните власти.
- Не позволявайте на деца или на лица, незапознати с инструкциите да използват продукта. Местните наредби могат да налагат ограничения за възрастта

на оператора.

- Преди всяка употреба проверявайте дали всички контроли и устройства за безопасност функционират правилно. Не използвайте продукта, ако превключвателят "OFF" ("Изключване") не спира мотора.
- Никога не стартирайте двигателя в затворено или слабо проветриво пространство; вдихването на изгорелите газове може да е смъртоносно.
- Преди всяка употреба почиствайте работната зона – неподредената и разхвърляна работна зона е предпоставка за злополуки.
- Носете пълна защитна екипировка за зрението и слуха, здрави предпазни ръкавици, предпазни обувки с неплъзгащи се подметки и защитни средства за главата, когато работите с продукта. Ако при косенето се отделя прах, носете и маска за лице.
- Не носете широки дрехи, шорти или каквито и да било бижута.
- Дългата коса трябва да бъде прибрана на ниво над раменете, за да се избегне нейното заплитане в движещите се части.
- Внимавайте за отхвъркнали, летящи или падащи предмети. Дръжте всички странични наблюдатели (особено деца и домашни любимци) на поне 15m разстояние от работната зона.
- Никога не работете с продукта в експлозивни или запалими условия.
- Поддържайте здрав хват и на двете ръкохватки, докато използвате продукта.
- Бъдете бдителни, внимавайте какво правите и проявявайте благоразумие, когато боравите с уреда. Не използвайте този продукт, ако сте уморени, болни или под влиянието на алкохол, наркотици или лекарства. Миг невнимание при работа с машината може да доведе до сериозно физическо нараняване.
- Не използвайте тази машина при слабо осветление. Операторът трябва да има чиста видимост върху работното пространство, за да идентифицира потенциални опасности.
- При използване на антифони ще се намали способността да чувате предупреждения (подвиквания или аларми). Операторът трябва да е особено внимателен за това, което се случва в работната зона.
- Ако наблизе се работи с подобни уреди, това увеличава както риска от увреждане на слуха, така и вероятността други хора да навлязат във вашето работно пространство.
- Заемайте стабилна позиция и пазете баланс. Не се протягайте, за да работите на трудно достижими места. Прекомерното протягане може да доведе до загуба на равновесие или неволен контакт с горещи повърхности, а също така може да увеличи опасността от възникване на откат.
- Дръжте движещите се части на разстояние от тялото си.



- Не докосвайте областта около заглушителя или двигателя на уреда, тези части се нагорещават много по време на работа.
- Преди всяка употреба проверявайте машината за неизправности. Проверете дали всички части по управлението функционираат правилно, включително верижната спирачка. Проверете за разхлабени свързки и се уверете, че всички предпазители и ръкохватки са стабилно прикрепени. Заменете повредените части преди употреба.
- Не модифицирайте машината по никакъв начин и не използвайте части и принадлежности, които не са препоръчани от производителя.

⚠ ПРЕДУПРЕЖДЕНИЕ

Ако продуктът бъде изпуснат, претърпи силен удар или започне да вибрира неестествено, незабавно изключете продукта и проверете за повреди или се опитайте да идентифицирате причината за вибрирането. Поправките и замените на части при повреда трябва да се извършват от оторизиран сервизен център.

- При смесване на гориво или пълнене резервоар за гориво, не пуша и да запази 10m далеч от всякакви източници на запалване.
- Смесвайте и съхранявайте горивото в съд, предвиден за бензин.
- Смесвайте и сипвайте горивото на открито, далеч от искри и пламък. Съберете разсипаното гориво. Преместете се на разстояние 10 m (30 ft) от мястото на зареждане, преди да стартирате двигателя.
- Спрете двигателя и го изчакайте да се охлади, преди да презаредите с гориво, складирате или транспортирате уреда.
- Не забравяйте да затворите всички капачки на горивния резервоар/контейнера, след като презаредите или смесите горивото.

ПРЕДУПРЕЖДЕНИЯ ЗА БЕЗОПАСНА РАБОТА С ВЕРИЖНИЯ ТРИОН

- Винаги поставяйте предпазния капак на водещата шина, когато не използвате продукта, а също и когато го носите и транспортирате. Това ще намали риска от непреднамерен контакт с острият ръбове на веригата. Носете продукта за горната ръкохватка, като водещата шина трябва да е насочена в противоположна посока на тялото ви.
- За да свикнете да използвате своя нов верижен трион, започнете с прости разрези на дървени материали, които са здраво застопорени. Правете това също и когато дълго време не сте работили с верижния трион.
- Ако работите с продукта за първи път, е препоръчително да режете дънери, поставени на „магаре“ или стенд.
- Уверете се, че всички предпазители, ръкохватки и буферни шипове са поставени на мястото им и са в изправност.

- Лицата, работещи с продукта, трябва да са в добро здравословно състояние. Продуктът е тежък инструмент, затова операторът трябва да е физически здрав. Операторът трябва да е бдителен, да има добро зрение, подвижност, баланс и ловкост в ръцете. Ако имате каквито и да са съмнения, не използвайте продукта.
- Не стойте върху нестабилни повърхности, докато използвате продукта. Това може да включва (но не само) стълби, скелета и дървета. По всяко време дръжте продукта с две ръце за ръкохватките.
- Не започвайте работа с продукта, преди да е осигурена чиста работна зона, стабилна опора и път за оттегляне при падащо дърво.
- Бъдете изключително внимателни, когато режете малки клончета, тъй като тънките предмети могат да се захванат от веригата и да бъдат отхвърлени към вас или да нарушат равновесието ви.
- Когато режете клон, който е под опън, бъдете готови да отскочите бързо назад, за да не ви удари, когато дървесните нишки се отпуснат.
- Внимавайте за изхвърляне на отработени газове, пари от масло и съгрозитини. При необходимост носете маска или респиратор.
- Не режете асми и/или малки хресталаци (с диаметър под 75 mm).
- Винаги дръжте верижния трион с две ръце, когато работите с него. Дръжте здраво триона, като пръстите ви трябва да обхващат дръжките. Дясната ви ръка трябва да е на задната ръкохватка, а лявата ръка на предната ръкохватка.
- Преди да включите инструмента, се уверете, че веригата не се допира до каквито да е предмети. Винаги стартирайте продукта с активирана верижна спирачка (избутана докрай напред).
- Не модифицирайте продукта по никакъв начин и не го използвайте за хранване или задвижване на приставки и устройства, които не са препоръчани от производителя на вашия продукт.
- Налице трябва да е аптечка за първа помощ с превързочни материали за големи рани, както и средство за привличане на вниманието на оператора, когато сте близо до него (напр. свирка). В обозрима близост трябва да се намира здравен комплект с повече материали за оказване на помощ.
- Ако в работната зона няма опасност от падащи предмети, операторът може да се изкуши да сваля каската си, но той не бива да забравя, че каската (особено ако е снабдена с мрежест визьор) намалява риска от нараняване на лицето и главата при възникване на откат.
- Неправилно обтегнатата верига може да отскочи от водещата шина, което може да доведе до сериозно нараняване или смърт. Дължината на веригата зависи от нейната температура и степен на износване. Периодично проверявайте обтегнатостта на веригата.
- Поддържайте ръкохватките сухи, чисти и неомаслени. Омаслените ръкохватки са хлъзгави и могат да доведат до загуба на контрол.



- За да намалите риска от нараняване в следствие на допир с движещите се части, винаги спирайте двигателя, активирайте верижната спиратка, разкачайте проводника на запалителната свещ и изчакайте пълното спиране на всички движещи се части, преди да
 - почистване или отстраняване на препятствия
 - оставяне на продукта без надзор
 - монтирате или демонтирате допълнителни приставки
 - проверка, поддръжка или работа по продукта
- Площта на работния участък зависи от работата, която ще се извършва, както и от на дървото или от ствола, който ще се обработва. Например повалването на дърво изисква по-голяма работна зона от други видове рязане, като например бичене на трупи и др. Операторът трябва да внимава и да контролира всичко, което се случва в работната зона.
- Докато режете, тялото ви не трябва да бъде на една линия с водещата шина и веригата. Ако спазвате това, при евентуален откат веригата няма да влезе в контакт с вашата глава или тяло.
- Не извършвайте режещи движения напред-назад с продукта; оставете веригата да свърши работата. Поддържайте веригата наточена и не се опитвайте да я бутате със сила през прореза.
- Не упражнявайте натиск върху триона в края на рязането. Бъдете готови да поемете тежестта на верижния трион, когато той прорезе рязаното дърво и се освободи. Несъобразяването с това предупреждение може да доведе до сериозни контузии.
- Не спирате триона по средата на рязането. Оставете триона да работи, докато не се освободи от прореза.

Лични предпазни средства

Висококачествените лични предпазни средства, използвани от професионалните работници, намаляват опасността от нараняване на оператора. Следните защитни средства трябва да се използват при работа с верижния трион:

Предпазна каска

- трябва да е в съответствие с EN 397 и да има CE маркировка

Антифони

- трябва да е в съответствие с EN 352-1 и да има CE маркировка

Предпазни средства за очите и лицето

- трябва да имат CE маркировка и да са в съответствие с EN 166 (за защитни очила) или с EN 1731 (за мрежести визьори)

Ръкавици

- трябва да е в съответствие с EN 397 и да има CE маркировка

Защитни средства за краката (гамаши)

- трябва да са в съответствие с EN381-5, да имат CE маркировка и да предоставят цялостна

защита.

Предпазни ботуши за работа с верижни триони

- трябва да са в съответствие с EN ISO 20345:2004 и да са маркирани с щит, изобразяващ верижен трион, който е знак за съответствие с EN 381-3. (Потребителите, които рядко работят с уреда, могат да използват предпазни ботуши със стоманена обшивка на пръстите и със защитни маншони. Тези ботуши са в съответствие с EN 381-9 и могат да бъдат използвани, ако работната зона е равна и съществува минимален риск от спъване или заплитане в наземната растителност)

Якета за защита на горната част на тялото при работа с верижни триони

- трябва да е в съответствие с EN 381-11 и да има CE маркировка

СГЛОБЯВАНЕ

▲ ПРЕДУПРЕЖДЕНИЕ

Ако има липсващи или повредени части, не използвайте този продукт, преди те да бъдат заменени. Несъобразяването с това предупреждение може да доведе до сериозни физически наранявания.

СГЛОБЯВАНЕ НА РЕЖЕЩАТА ВЕРИГА И ВОДЕЩАТА ШИНА

Вж. страница 273, Фиг. 5 - 8.

1. Спрете уреда. Носете защитни ръкавици.
2. Освободете верижната спиратка.
3. Развийте врътката за фиксиране на водещата шина и свалете капака на зъбното колело.
4. Прикачете водещата шина и механизма за обтягане на веригата към верижния трион. Сnižете водещата шина, така че болтът да може да премине през отвора на шината и на механизма за обтягане на веригата.
5. Режещата верига трябва да е насочена по посоката на нейното въртене. Ако са обърнати в обратна посока, завъртете направената от вас примка.
6. Преметнете свободната част около зъбното колело. Наместете водещите звена на веригата в канала на шината. При необходимост завъртете механизма за обтягане на веригата, чрез което тя ще се изпълне и ще остане правилно позиционирана.
7. Поставете отново капака на зъбното колело.
8. Регулирайте обтегнатостта на веригата. Вижте раздела „Регулиране на обтегнатостта на веригата“.

РЕГЛАЖ НА ОБТЯГАНЕТО НА ВЕРИГАТА

Вж. страница 286.

1. Разхлабете леко врътката за фиксиране на водещата шина, като я завъртите обратно на часовниковата стрелка.
2. За да увеличите обтегнатостта на веригата, завъртете пръстена за регулиране на обтягането по посока на часовниковата стрелка, като периодично проверявайте обтегнатостта на веригата. За да намалите обтегнатостта на веригата, завъртете



пръстена за регулиране на обтягането обратно на часовниковата стрелка, като периодично проверявайте обтегнатостта на веригата.

3. Веригата е оптимално обтегната, когато разстоянието между резците на веригата и шината е от 3 мм до 4 мм. Най-добре е да дръпнете веригата в средата на шината откъм нейния долен край (от шината навън) и да измерите разстоянието между шината и резците на веригата.
4. Затегнете врътката за фиксиране на водещата шина, като я завъртите по посока на часовниковата стрелка.

ЗАБЕЛЕЖКА: Веригата повишава своята температура по време на нормална работа с продукта, което води до нейното разтягане. Проверявайте редовно обтягането на веригата и я затягайте, когато е необходимо. Когато затягате веригата, докато е топла, когато се охлади, може да се окаже прекалено обтегната. Уверете се, че обтягането на веригата е правилно регулирано според описаното в настоящите инструкции.

РАБОТА С ПРОДУКТА

ГОРИВО И ЗАРЕЖДАНЕ НА РЕЗЕРВОАРА

Безопасна работа с горивото

⚠ ПРЕДУПРЕЖДЕНИЕ

Винаги изключвайте двигателя преди зареждане с гориво. Никога не зареждайте машината, ако двигателят е още в движение или ако не е изстинал. Отдръпнете се поне на 10 м от мястото, където сте пълнили резервоара с гориво, преди да пуснете двигателя. Не пушете! При неспазване на тази инструкция може да се причинят тежки телесни повреди.

⚠ ПРЕДУПРЕЖДЕНИЕ

Уверете се, че от инструмента не изтича гориво. Ако откриете такива, поправете ги преди да използвате продукта, за да предотвратите пожар или изгаряния.

- Винаги внимавайте при работа с гориво; то е силно запалимо.
- Винаги презареждайте горивото на открити места и далече от евентуални запалими източници; не вдъшвайте горивните изпарения.
- Внимавайте по кожата ви да не попадне бензин или масло. При контакт незабавно измийте със сапун и обилно количество вода.
- Бъдете особено внимателни в очите ви да не попадне бензин или масло. Ако в очите ви попадне бензин или масло, незабавно ги изплакнете с чиста вода. Ако дразненето не премине, незабавно се обърнете към лекар.

Смесване на горивото

- Машината ви работи с двутактов двигател, при който трябва да се смесят бензин и синтетично масло за двутактов двигател (в съотношение 2%). Смесете безоловен бензин с масло за двутактов двигател в чист съд, предвиден за съхранение на бензин.
- Двигателят работи с безоловен бензин за автомобили с октаново число 91 ([R + M]/2) или по-високо.
- Не използвайте смеси бензин/масло, приготвени в бензиностанциите; Особено онези, предвидени за мотопеди, мотоциклети и др.
- Използвайте висококачествени масла за саморъчно смесване за двутактови двигатели с въздушно охлаждане. Не използвайте автомобилно масло или масло за извънбордови двутактови двигатели.
- Смесете 2 % масло с бензина. Съотношението е 50 :1.
- Всеки път преди зареждане смесете хубаво горивото.
- Смесвайте горивото в малки количества. Не приготвяте смес за повече от месец напред. Препоръчително е използването на 2-тактово масло, съдържащо горивен стабилизатор.

ЗАБЕЛЕЖКА: Гаранцията не покрива щети по горивната система или проблеми в работата, причинени от използването на окислено гориво, съдържащо по-голям процент окислителни от посочените горе.

Пълнене на горивния резервоар

Вж. страница 273.

- Почистете резервоара около капачката, за да не се замърси горивото.
- Бавно отвъртете капачката за горивото.
- Внимателно изсипете горивната смес в резервоара, като внимавате да не я разсипете. Преди отново да завиее капачката, почистете
- уплътнението и проверете дали е в добро състояние.
- Поставете веднага капачката и хубаво я затегнете. Съберете разсипаното гориво.

ЗАБЕЛЕЖКА: Това е нормално за двигателя да излъчва дим по време на и след първата употреба.

ДОБАВЯНЕ НА СМАЗОЧНО МАСЛО ЗА ВЕРИГАТА

Вж. страница 273.

⚠ ПРЕДУПРЕЖДЕНИЕ

Никога не работете без смазочно масло за веригата. Ако веригата работи без смазочно масло, нейните резци и тя самата могат да бъдат повредени. Затова е важно да проверявате нивото на маслото редовно и преди всяка употреба на верижния трион.

1. Почистете повърхността около капачката на маслото, за да предпазите маслото от замърсяване.
2. Отвинтете и отстранете капачката на резервоара за маслото.



3. Напълнете масло в резервоара, като своевременно следете маркера за равнището на маслото. Уверете се, че докато наливате масло, не влизат никакви мръсотии в резервоара.
4. Поставете обратно капачката на резервоара за маслото и я затегнете. Забършете, ако има разлято масло.
5. С едно пълнено на резервоара за масло трионът може да се използва 20 – 40 минути.

ЗАБЕЛЕЖКА: Ако системата за смазване на веригата и шината работи добре, обикновено при употреба ще има масло по веригата. За да проверите функционалността на системата за смазване на веригата и шината, насочете върха на веригата към предмет със светла повърхност, например вестник. След кратко време би трябвало да забележите тънка пръска масло.

Препоръчително смазочно масло за веригата

- Производителят препоръчва да използвате само смазочно масло за верига с марката на Ryobi. (Налично във вашия оторизиран сервизен център)

СТАРТИРАНЕ НА ПРОДУКТА

Методът на стартиране се различава в зависимост от това дали двигателят е студен или топъл.

⚠ ПРЕДУПРЕЖДЕНИЕ

Стойте вляво от шината. Никога не прекрачвайте триона или веригата; не се надвесвайте над линията на движение на веригата.

- Поставете продукта на равна повърхност, след което се уверете, че в непосредствена близост няма предмети или пречки, които биха могли да влязат в контакт с шината и веригата.
- Хванете здраво предната дръжка с лявата си ръка и стъпете с десния крак върху основата на задната дръжка.

ЗАБЕЛЕЖКА: В следната начална инструкция, когато дроселният лост е дръпнат докрай до позицията START, дроселът е настроен за стартиране. За да върнете дросела до позицията RUN, натиснете и отпуснете спусъка му.

За да стартирате студен двигател:

Вж. страница 272 - 273.

1. Завъртете ключа на запалването до позиция ON.
2. Натиснете напред лоста на спирачката/предпазителя за ръката, за да сте сигурни, че спирачката е в позиция BRAKE.
3. Натиснете и отпуснете 10 пъти пусковата помпа.
4. Издърпайте докрай дроселния лост, за да го поставите в позицията START (Стартиране).
5. Когато температурата е над 10°C, издърпайте ръкохватката на стартера, докато двигателят се стартира, но не повече от три пъти. Когато температурата е под 10°C, издърпайте ръкохватката на стартера, докато се двигателят стартира, но не повече от пет пъти.
6. Натиснете дроселния лост в позиция „half“ („полу-блокиране“). Издърпайте ръкохватката на стартера,

докато двигателят се стартира.

7. Освободете фиксатора на спусъка, след което стиснете и отпуснете дроселния спусък, за да върнете двигателя в режим на празен ход.
8. Оставете продукта да работи на празен ход в продължение на 15 – 30 секунди.
9. Преди да ускорявате двигателя или да режете дървен материал, трябва да се уверите, че верижната спирачка е на позиция „run“ („работи“), като за целта издърпайте назад спирачния лост/предпазителя за ръцете.

⚠ ВНИМАНИЕ

Ако не отпуснете лоста, за да може двигателят да тръгне на празен ход при включена спирачка на веригата, рискувате двигателят да се повреди. Никога не задържайте лоста при включена спирачка.

За да стартирате топъл двигател:

Вж. страница 281.

1. Завъртете ключа на запалването до позиция ON.
2. Натиснете напред лоста на спирачката/предпазителя за ръката, за да сте сигурни, че спирачката е в позиция BRAKE.
3. Натиснете помпата за подкачване на горивото 10 пъти.
4. Издърпайте докрай дроселния лост, за да го поставите в позиция „START“ („стартиране“), след което го натиснете обратно в позиция „RUN“ („работи“).
5. Издърпайте дръжката на стартера, докато двигателят заработи, но не повече от 5 пъти. Освободете фиксатора на спусъка, след което стиснете и отпуснете дроселния спусък, за да върнете двигателя в режим на празен ход. Ако двигателят не стартира след 5 издърпвания, използвайте метода за стартиране на студен двигател.
6. Преди да ускорявате двигателя или да режете дървен материал, трябва да се уверите, че верижната спирачка е на позиция „run“ („работи“), като за целта издърпайте назад спирачния лост/предпазителя за ръцете.

ПРЕВКЛЮЧВАНЕ МЕЖДУ РЕЖИМИ НА РАБОТА

Вж. страница 287.

Продуктът има режим против замръзване, който предотвратява образуването на лед в карбуратора по време на работа при температури от ≤5 °C.

Вентилационния отвор, който се намира вдясно на капака за пречистване на въздуха, може да се постави в различна позиция, така че да позволи в двигателя да навлиза топъл въздух и да предотврати образуването на лед в карбуратора.

⚠ ПРЕДУПРЕЖДЕНИЕ

Ако при температури от ≤ 5 °C не превключите от нормален режим на режим против замръзване, изходящата мощност на двигателя ще намалее, а самият двигател може да се повреди.

Винаги връщайте продукта в нормален режим, когато не съществува риск от образуване на лед в карбуратора. Ако при нормални температури не превключите от режим против замръзване на нормален режим, двигателят може да се повреди.

СПИРАНЕ НА ДВИГАТЕЛЯ

Отпуснете лоста за скоростта и оставете двигателя да работи на празен ход. Двигателят се изключва, като поставите превключвателя на "O" в положение за СПИРАНЕ. Не поставяйте триона върху земята, докато веригата се върти. За по-голяма безопасност, включете спирачката на веригата, когато не използвате триона.

Ако превключвателят не спира триона, издърпайте лоста на стартера докрай (максимално изваждане) и включете спирачката на веригата, за да спрете двигателя. Ако превключвателят не спира триона, когато го поставите в положение за спиране "O", трябва да бъде ремонтиран, преди да използвате триона отново, за да не работите в опасни условия и да не се нараните тежко.

ЗАБЕЛЕЖКА: След приключване на работа с продукта винаги освобождавайте налягането в резервоарите, като за целта трябва да разхлабите и после отново да затегнете капачките за гориво и верижно масло. Преди да приберете триона, оставете двигателя да се охлади.

ПРАВИЛНО ДЪРЖАНЕ НА ПРОДУКТА

Вж. страница 273.

Винаги дръжте верижния трион с дясната ръка за задната ръкохватка и с лявата ръка за предната ръкохватка. Обхващайте добре ръкохватките, като сключвате палците и останалите си пръсти плътно около тях. Лявата ръка трябва да обхваща предната ръкохватка така, че палецът да е отдолу.

ПРОВЕРЯВАНЕ ИЗПРАВНОСТТА И ИЗПОЛЗВАНЕ НА ВЕРИЖНАТА СПИРАЧКА

1. За да използвате верижната спирачка, завъртете лявата си ръка около предната ръкохватка. Докато веригата се върти бързо, използвайте задната страна на ръката си, за да избутате лоста на верижната спирачка/предпазителя за ръцете към шината. Помнете, че винаги трябва да поддържате здрав хват с двете ръце върху ръкохватките на продукта.
2. Върнете обратно спирачката в работеща позиция на веригата, като хванете върха на лоста на верижната спирачка/предпазителя за ръцете и го дръпнете в посока към предната ръкохватка, докато се чуе щракване.

⚠ ПРЕДУПРЕЖДЕНИЕ

Ако спирачката не спира моментално веригата или не може да стои в позиция "работи" без намеса, занесете триона в упълномощен сервизен център за поправка, преди да го използвате.

⚠ ПРЕДУПРЕЖДЕНИЕ

Когато дроселният спусък е освободен и двигателят работи на празен ход, веригата трябва да е неподвижна. Ако тя продължава да се движи, съществува риск от сериозно нараняване на оператора. В такъв случай не използвайте продукта, а го занесете в оторизиран сервизен център за поправка от професионалист.

ПРОВЕРЯВАНЕ ИЗПРАВНОСТТА НА СЪЕДИНИТЕЛЯ

1. Освободете верижната спирачка, като издърпате спирачния лост/предпазителя за ръцете към предната ръкохватка, докато не се чуе щракване.
2. Оставете двигателя да заработи на празен ход. Уверете се, че веригата на триона да не се върти. Ако веригата на триона се върти по време на движение на празен ход, съединителят може да се повреди. Не използвайте машината. Върнете я в оторизиран сервизен център, където да бъде регулирана от специалисти.
3. Натиснете дроселния спусък наполовина, за да заработи продуктът на средна скорост. Веригата трябва да се върти гладко и равномерно, ако съединителят е в изправност.

Причини за възникване на откат и начини за избягването му:

Може да се получи откат, ако краят на шината влезе в контакт с даден предмет или ако режещата верига бъде затисната и захваната в дървото по време на рязане.

Понякога допир до предмет с върха на водещата шина може да предизвика неочаквана обратна реакция, при която водещата шина отскача нагоре и назад по посока на оператора.

Заклинването на веригата от горната страна на шината може рязко да отхвърли шината по посока на оператора.

Всяка от тези реакции може да предизвика загуба на контрол над машината, което може да доведе до сериозни физически наранявания. Не разчитайте само на предпазните механизми, които има трионът. Вие също трябва да предприемете различни мерки, за да избегнете риска от злополуки и наранявания.

Откатът е следствие на неправилно използване на електрическия инструмент. Той може да бъде предотвратен с предприемане на подходящи предпазни мерки, които са описани по-долу:

- Дръжте верижния трион здраво с двете ръце, като обхващате хубаво ръкохватките му с палците и показалците. Заемайте позиция на тялото и ръцете, при която ще можете да противостоите на евентуално възникнали

откатни сили. Ако се вземат подходящи предпазни мерки, при възникване на откат операторът може да овладее възникващите откатни сили. В никакъв случай не пускате верижния трион.

- **Не се протягайте прекомерно с инструмента и не режете над височина над раменете си.** Така предотвратявате нежеланото докосване на предмети с върха на водещата шина и ще имате по-добър контрол над верижния трион при внезапно възникване на неочаквани ситуации.
- **Винаги използвайте само резервни водещи шини и режещи вериги, посочени от производителя.** Неподходящите шини или вериги могат да предизвикат счупване на веригата или възникване на откат.
- **Следвайте инструкциите на производителя за поддръжка на веригата.** Твърде ниските ограничители на дълбочината увеличават опасността от възникване на откат.

НАТИСК И ТЕГЛЕНЕ

Вж. страница 279.

Противодействащата сила винаги е с посока, обратна на въртенето на веригата. Затова операторът трябва да е готов да контролира тенденцията инструментът да се изплъзва (да се придвижва напред) при рязане с долния ръб на шината и да се придърпва назад (към оператора) при рязане с горния ръб на шината.

ЗАСЯДАНЕ НА ТРИОНА В ПРОРЕЗА

Спрете верижния трион и го обезопасете. Не се опитвайте да освободите със сила веригата и шината от прореза, защото това вероятно ще счупи веригата, която може да отхвъркне и да удари оператора. Тази ситуация обикновено възниква, защото рязаното дърво не е поставено на правилна опора и прорязаната част прищипва острието. Ако регулирането на опората не освободи шината и веригата, използвайте дървени клинове или лост, за да разширите прореза и да освободите продукта. Никога не опитвайте да стартирате верижния трион, когато водещата шина вече е заседнала в прорез или цепнатина.

ИНСТРУКЦИИ ОТНОСНО ОСНОВНИТЕ ТЕХНИКИ ЗА ПОВАЛЯНЕ НА ДЪРВЕТА, КАСТРЕНЕ И НАПРЕЧНО РЯЗАНЕ

Разбиране на силите и процесите, протичащи в дървения материал

Когато разберете посоките на оказване на обтягащо напрежение и притискащ натиск в дървения материал, можете да намалите „прищипванията“ на триона или поне да знаете кога да ги очаквате в процеса на рязане. Когато дървеният материал е обтегнат под напрежение, влакната в дървото се раздалечават и при рязане в тази зона „цепнатината“ или прорезът се разширяват след преминаване на триона. Ако използвате „магаре“ за подпора при рязане на дънер, но единият край на дънера виси без подпора, ще се създаде обтягащо напрежение в горната част на дървения материал, защото теглото на висящата част на дънера ще обтегне влакната. Съответно в долната част на дънера ще се създаде притискащ натиск, защото влакната ще

бъдат притиснати едно в друго. Ако направите прорез в тази зона, цепнатината ще се опита да се стесни и да се затвори по време на рязането. Това ще преципие острието.

Поваляне на дърво

Вж. страница 277 - 278.

Ако двама или повече човека едновременно бичат трупи и повалят дърво, между мястото на бичене и дървото за поваляне трябва да има разстояние, което е поне два пъти по-голямо от височината на поваляното дърво. При поваляне на дървета трябва да се внимава да не бъдат застрашени други лица, електропроводи, водопроводи, газопроводи и други подобни съоръжения, както и да не бъдат нанесени материални щети. Ако поваленото дърво засегне съоръжение на инфраструктурата, незабавно трябва да бъде уведомена съответната организация, стопанисваща съоръжението.

Ако работите по наклонен участък, винаги стойте нависоко, защото съществува опасност при отсичането си дървото да се изтъркаля или плъзне надолу по наклона.

Преди да се започне с повалянето, трябва да бъде набелязан и разчистен път за безопасно оттегляне от работната площадка. Пътят за оттегляне трябва да води косо назад спрямо очакваната линия на падане на дървото.

Преди повалянето трябва да бъдат отчетени естествените наклон на дървото, позицията на по-големите клони и посоката на вятъра, за да бъде преценена възможно най-точно линията на падане на дървото.

Дървото трябва да се почисти от боклуци, камъни, откъртваща се кора, пирони, скоби и тел.

Не опитвайте да повалите дървета, които са изгнили или са повредени от вятър, огън, мълнии и др. Особено онези, предвидени за мотопеди, мотоциклети и др.

- **Направляващ прорез**

Вж. страница 277 - 278.

Направляващият прорез трябва да е с дълбочина 1/3 от диаметъра на дънера и да е перпендикуларен на желаната посока на падане. Първо направете долния хоризонтален срез на направляващия прорез. Така ще избегнете защипването на верижния трион или на водещата шина при направата на втория срез на прореза.

- **Повалящ заден срез**

Вж. страница 277 - 278.

Повалящият заден срез трябва да се направи поне 50 мм (2 инча) по-високо от хоризонталния срез на направляващия прорез. Повалящият срез трябва да е успореден на хоризонталния срез на прореза. Направете повалящия срез така, че да остане известна непрерязана част, която действа като шарнир. Шарнирът предотвратява завъртането и падането на дървото в неправилна посока. Не прерязвайте шарнира.

Когато повалящият срез доближи шарнира, би трябвало дървото само да започне да пада. Ако видите, че има възможност дървото да не падне в



желаната посока или да се наклони и да блокира верижния трион, прекъснете разрязването и използвайте клинове от дърво, пластмаса или алуминий за разтваряне на среза и накланяне на дървото в желаната посока.

Когато дървото започне да пада, извадете верижния трион от среза, изключете го, оставете го на земята и напуснете работната площадка по предварително набелязания път за оттегляне. Внимавайте за падащи клони, както и да не се препънете.

Изрязване на дебели корени

Вж. страница 278.

Това са много големи корени, които излизат от ствола над повърхността. Преди да отсечете дървото, отстранете дебелите корени. Първо направете хоризонтален прорез в корена, след това и вертикален. Махнете изрязаната част от работния участък. След като извадите дебелите корени, пристъпете към отрязване на дървото.

Бичене на дънера

Вж. страница 279.

Биченето представлява нарязване на дънера по дължина на трупи. Важно е да стъпвате стабилно и тежестта ви да е разпределена равномерно между двата крака. Ако е необходимо, дънерът трябва да бъде подпрян с клони, греди или клинове. За да разрязвате леко, спазвайте тези прости указания. Когато дънерът е подпрян по цялата му дължина, трябва да се реже от горната му страна (горно бичене).

Когато дънерът е подпрян само от едната му страна, направете разрез от долната страна на дънера с дълбочина 1/3 от диаметъра му (долно бичене). След това направете финалния срез чрез горно бичене, като го свържете с първия разрез.

Когато дънерът е подпрян и от двете му страни, направете разрез от горната страна на дънера с дълбочина 1/3 от диаметъра му (горно бичене). След това направете финалния срез чрез долно бичене, за да срежете останалите 2/3 от диаметъра, като го свържете с първия разрез.

Когато бичите трупи на склон, винаги стойте от горната страна на дънера. За да запазите пълен контрол по време на рязане, постепенно освобождавайте упражнявания от вас натиск при приближаване края на среза, без да отпускате хватата на ръкохватките. Не позволявайте на веригата да докосва земята. След приключване на прореза изчакайте веригата да спре, преди да преместите верижния трион. Винаги изключвайте двигателя, преди да преминете към следващото дърво за рязане.

Кастрене на дърво

Вж. страница 280.

Кастренето представлява премахване на клони от повалено дърво. Когато кастрите дърво, оставете големите клони от долната му страна, за да го подпират. Отрязвайте малките клони с едно режещо движение. Клоните, които са обтегнати под напрежение, трябва да бъдат отрязвани отдолу нагоре, за да се предотврати

заклещването на верижния трион.

Рязане на пружиниращи дървесни елементи

Вж. страница 280.

Огънатите клони може да са клони, изкоренени пънове или фиданки, които са огънати от друго дърво, така че рязко ще се изправят, когато ги отрежете или махнете дървото, което ги държи.

Съществува сериозен риск изкорененият пън на отсеченото дърво да се освободи и да застане във вертикално положение при рязане, за да се отдели от ствола. Внимавайте - огънатите клони са опасни. Не опитвайте да режете огънати клони или дънери, които са под напрежение, освен ако не сте професионално обучени и компетентни за тази дейност.

ТРАНСПОРТИРАНЕ И СЪХРАНЕНИЕ

- Спрете двигателя, активирайте верижната спиратка, разкачете проводника на запалителната свещ и изчакайте продукта да се охлади, преди да го приберете за съхранение или да го транспортирате.
- Почистете продукта от всички чужди частици.
- Изсипете останалото в резервоара гориво в съд, одобрен за съхранение на бензин. Не забравяйте да поставите обратно и да затегнете капачката за смесване на горивото.
- Пуснете двигателя да работи, докато спре. Така ще изгори всичкото гориво, което иначе би могло да засъхне и да остави смолиста утайка във веригата.
- Изсипете останалото масло за шината и веригата в съд, одобрен за съхранение на масло. Не забравяйте да поставите обратно и да затегнете капачката за верижното масло.
- Винаги поставяйте предпазния капак на водещата шина, когато прибирате за съхранение или транспортирате продукта.
- Съхранявайте я на хладно, сухо и добре проветрявано място, което е недостъпно за деца. Не го оставяйте в близост до корозивни материали като градински химикали или соли за размразяване. Не съхранявайте на открито.
- Когато пренасяте продукта на кратки разстояния (от една работна зона до друга), винаги активирайте верижната спиратка, така че веригата да не може да се движи.
- Когато транспортирате продукта, го обезопасявайте така, че да не може да се движи или да падне, защото това може да доведе до евентуални наранявания на хора или повреди по продукта.
- Никога не носете или транспортирайте продукта, докато работи.

Проверете какви са националните и местните разпоредби за съхранение и работа с горива. Можете да използвате останалото гориво за друга машина с двутактов двигател.

ПОДДРЪЖКА

Винаги поддържайте продукта в добро функционално състояние.

EN
FR
DE
ES
IT
NL
PT
DA
SV
FI
NO
RU
PL
CS
HU
RO
LV
LT
ET
HR
SK
BG



⚠ ПРЕДУПРЕЖДЕНИЕ

Използвайте само оригинални резервни части, аксесоари и приставки от производителя. В противен случай може да се влоши работата на инструмента или да получите тежки контузии, а гаранцията ви ще стане невалидна.

⚠ ПРЕДУПРЕЖДЕНИЕ

Сервизното обслужване изисква изключително внимание и специфични познания и следва да бъде извършвано само от квалифициран техник. За обслужване или ремонтване на продукта трябва да го занесете в най-близкия оторизиран сервизен център. При ремонт използвайте само идентични резервни части.

⚠ ПРЕДУПРЕЖДЕНИЕ

Преди да инспектирате, почистете или обслужвате продукта, спирайте двигателя, активирайте верижната спирачка и разкачайте проводника на запалителната свещ. При неспазване на тези указания може да се причинят тежки телесни повреди и сериозни материални щети.

- Можете да правите настройки и поправки, описани в това ръководство на потребителя. За други поправки ви свържете с агент на упълномощения сервиз.
- Неправилната поддръжка на инструмента може да доведе до счупване на веригата или до неизправност в някои от функциите за безопасност, което увеличава опасността от сериозно нараняване. Грижете се професионално за поддръжката и безопасността на своя верижен трион.
- Безопасното заточване на веригата е дейност, която изисква съответните умения. Затова производителят силно препоръчва да подмените износените и затъпени вериги с нови, които можете да намерите във вашия оторизиран сервизен център на Ryobi. Каталогният номер е поместен в таблицата със спецификациите на продукта в настоящото ръководство.
- Следвайте инструкциите за смазване на веригата, както и за проверяване и регулиране на нейната обтегнатост.
- Всеки път след употреба почистете продукта с мека и суха кърпа.
- Периодично проверявайте дали всички гайки, болтове и винтове са правилно затегнати, за да сте сигурни, че продуктът е в изправност. Всяка повредена част трябва да бъде поправена или заменена от упълномощен сервизен център.

ПОДМЯНА НА ВОДЕЩАТА ШИНА И РЕЖЕЩАТА ВЕРИГА

Вж. стр. 282 - 285.

1. Спрете уреда. Носете защитни ръкавици.
2. Освободете верижната спирачка.

3. Развийте врътката за фиксиране на водещата шина и свалете капака на зъбното колело.
4. Свалете шината и режещата верига от инструмента.
5. Почистете долната част на зъбното колело.
6. За да замените шината с нова, разхлабете винта на механизма за обтягане на веригата. Монтирайте механизма за обтягане на веригата на новата шина, след което затегнете гайката.
7. Прикачете водещата шина и механизма за обтягане на веригата към верижния трион. Сnižете водещата шина, така че болтът да може да премине през отвора на шината и на механизма за обтягане на веригата.
8. Режещата верига трябва да е насочена по посоката на нейното въртене. Ако са обърнати в обратна посока, завъртете направената от вас примка.
9. Преметнете свободната част около зъбното колело. Наместете водещите звена на веригата в канала на шината. При необходимост завъртете механизма за обтягане на веригата, чрез което тя ще се изпъне и ще остане правилно позиционирана.
10. Поставете отново капака на зъбното колело.
11. Регулирайте обтегнатостта на веригата. Вижте раздела „Регулиране на обтегнатостта на веригата“.

ПОЧИСТВАНЕ НА ВЪЗДУШНИЯ ФИЛТЪР

Вж. страница 290.

1. Спрете уреда. Уверете се, че верижната спирачка е активирана.
2. Отвъртете фиксиращата врътка на капака на въздушния филтър и го свалете от продукта.
3. Махни въздушния филтър.
4. Почистете с четка праха и мръсотията по въздушния филтър. Ако е необходимо, разтворете въздушния филтър с плоска отвертка и го почистете отвътре.
5. Поставете обратно капака на въздушния филтър и затегнете фиксиращата врътка.

ПОЧИСТВАНЕ НА ИСКРОГАСИТЕЛЯ

Вж. страница 291.

⚠ ПРЕДУПРЕЖДЕНИЕ

Заглушителят се нагорещява по време и веднага след работа с продукта. За да избегнете сериозни физически наранявания, дръжте всички части на тялото си далече от заглушителя по време и веднага след работа с продукта.

1. Спрете уреда. Уверете се, че верижната спирачка е активирана. Оставете заглушителя да се охлади.
2. Махнете винта, придържащ капака на заглушителя към буфера с шипове, след което махнете двете гайки на капака на заглушителя.
3. Свалете капака на заглушителя.
4. Извадете искрогасителя. Почистете екрана на искрогасителя с малка телена четка.
5. Поставете обратно капака на заглушителя. За да поставите обратно капака на заглушителя, следвайте същите стъпки в обратен ред.

⚠ ПРЕДУПРЕЖДЕНИЕ

Буферът с шипове е предпазна функция на продукта. След като поставите обратно капака на заглушителя, затегнете с подходящ винт. Неспазването на тази инструкция може да доведе до сериозно физическо нараняване или смърт.

ПРОВЕРКА И ПОЧИСТВАНЕ НА ВЕРИЖНАТА СПИРАЧКА

Вж. страница 294.

- Винаги поддържайте механизма на верижната спирачка чист, като леко изчетквайте сглобката му от мръсотия.
- След всяко почистване проверявайте изправността на верижната спирачка.
- За повече информация прегледайте раздела „Работа с уреда – Проверяване изправността и използване на верижната спирачка“ в настоящото ръководство.

СКОРОСТ НА ДВИГАТЕЛЯ И РЕГУЛИРАНЕ НА КАРБУРАТОРА

⚠ ПРЕДУПРЕЖДЕНИЕ

Неправилното регулиране на карбуратора увеличава риска от наранявания, фатални злополуки или повреди по продукта. За регулиране на карбуратора занесете продукта в оторизиран сервизен център.

ГРАФИК ЗА ПОДДРЪЖКА

Ежедневна проверка	
Горивна смес	Преди всяка употреба
Смазване на шината	Преди всяка употреба
Обтягане на веригата	Редовно и преди всяка употреба
амбреаж на веригата (без движение на веригата при скорост на празен ход)	Преди всяка употреба
Острота на веригата	Преди всяка употреба, визуална проверка
За повредени части	Преди всяка употреба
За разхлабени връзки	Преди всяка употреба
За разхлабени части	Преди всяка употреба
Функция на спирачката на веригата	Преди всяка употреба

За горивни течове	Преди всяка употреба
-------------------	----------------------

ПРОВЕРКА И ПОЧИСТВАНЕ

Шина	Преди всяка употреба
Целия трион	след всяка употреба
Въздушен филтър	На всеки 5 часа*
Спирачка на веригата	На всеки 5 часа*
Смяна на горивен филтър	Ежегодно
Смяна на горивен филтър	Ежегодно

*Часове работа

НЕПРЕДВИДЕНИ РИСКОВЕ.

Дори когато продуктът се използва по предназначение, е невъзможно напълно да се ограничи влиянието на определени рискови фактори. Рисковете, описани по-долу, може да възникнат по време на употреба и операторът трябва да внимава за избягването на следното:

- Нараняване, причинено от вибрация. Винаги използвайте подходящия инструмент за съответната дейност и предназначението за целта ръкохватки, като ограничавате времето на работа и излагането на рискове.
- Излагането на шум може да доведе до увреждане на слуха. Носете антифони и ограничете излагането.
- Контакт с оголени зъбци на веригата на триона (опасност от порязване).
- Непредвидено, внезапно движение или откат на шината (опасност от порязване).
- Части, отхвъркнали от веригата на триона (опасност от порязване/убождане).
- Отхвъркнали отломки от материала (дървени стружки, трески).
- Вдишване на прах и частици от триона или отработени газове от бензиновия двигател.
- Контакт на кожата с бензина/маслото.

ΜΕΙΩΣΗ ΚΙΝΔΥΝΟΥ

Известно е, че вибрациите, произвеждани от ръчни инструменти може да предизвикат у някои индивиди заболяване, наречено Синдром на Рейнолд (Raynaud's Syndrome). Симптомите може да включват изтръпване, схващане и изbledняване на пръстите, обикновено се забелязват при излагане на студ. Смята се, че наследствените фактори, излагането на студ и влага, диетите, пушенето и някои работни навици допринасят за развитието на тези симптоми. Могат да се вземат някои мерки, които могат да се предприемат от оператора, за да се намалят ефектите от вибрациите:

- Поддържайте телесната температура в студено време. Когато работите с продукта, носете ръкавици, за да поддържате ръцете и китките си топли. Според изследвания главният фактор,

допринасящ за развитието на Raynaud's Syndrome, е студено време.

- Правете упражнения за активизиране на кръвообращението след всеки работен цикъл.
- Редовно излизайте в почивка. Ограничете излагането на вибрации на ден.
- Защитните ръкавици, които се предлагат от специализираните търговци на верижни триони, са проектирани специално за работа с верижен трион и осигуряват надеждна защита и добър захват. Ръкавиците също така намаляват ефекта от вибрирането на ръкохватките. Тези ръкавици трябва да са в съответствие с EN381-7 и да имат CE маркировка.

При поява на някой от симптомите на това заболяване, незабавно прекратете употребата на инструмента и посетете лекар.

ПРЕДУПРЕЖДЕНИЕ

Продължителното използване на инструмента може да доведе до наранявания или влошаване. При използване на инструмента за продължителни периоди от време правете чести почивки.

ОПОЗНАЙТЕ ВАШИЯ ПРОДУКТ

Вж. страница 271.

ЧАСТИ

1. Режеща верига
2. Шина
3. Преден предпазител/спирачка на веригата
4. Предна ръкохватка
5. Капак на въздушния филтър
6. Ръчка на стартера
7. Задна ръкохватка
8. Буферен шип
9. Капак на заглушителя
10. Капачка за горивото
11. Капачка на резервоара за маслото
12. Ключ за запалване
13. Бутон за блокиране на пусковия лост
14. Лост за скоростта
15. Пускова помпа
16. Лост за затваряне
17. Комбиниран гаечен ключ
18. Капак на зъбното колело
19. Ограничител на веригата
20. Настройващ пръстен за обтягане на веригата
21. Врътка за фиксиране на водещата шина
22. Капак на водещата шина

УСТРОЙСТВА ЗА БЕЗОПАСНОСТ

ВЕРИГА С НИСКА СКЛОННОСТ КЪМ ОТКАТ

Нискооткатните режещи вериги намаляват вероятността от възникване на откат.

Ограничителите на височината, разположени в предната част на всеки зъб, могат да намалят ефекта от отката, като се предотврати навлизането в дълбочина

в зоната на отката. Използвайте само комбинации от резервни водещи шини и режещи вериги, посочени от производителя.

Бъдете двойно по-внимателни след заточване на веригата на триона, тъй като тогава веригата става неподатлива на откат. За ваша безопасност подменяйте веригата винаги когато нейната способност за рязане намалява.

БУФЕРЕН ШИП

Неделимия буферен шип може да се използва като опорна точка при рязане. Това помага за по-стабилното боравене с верижния трион по време на рязане. При рязане избутайте инструмента напред, докато шиповете се забият в ръба на дървото, а след това чрез преместване на задната ръкохватка нагоре или надолу по посока на прорезната линия можете да намалите физическото натоварване, съпровождащо процеса на рязане.

ШИНА

Обикновено използването на водещи шини с по-малък радиус при върха намалява вероятността от възникване на откат. Използвайте само комбинации от резервни водещи шини и режещи вериги, посочени от производителя. Използването на водещи шини, които не са препоръчани от производителя, увеличава риска от загуба на контрол по време на рязане. Редовно проверявайте обтегнатостта на веригата. Когато режете малки клони (по-къси от пълната дължина на водещата шина), има по-голяма вероятност веригата да падне или отхвъркне, ако тя не е обтегната както трябва.

СПИРАЧКА НА ВЕРИГАТА

Спирачката на веригата е разработена с цел да спира бързо въртящата се верига. Веригата трябва незабавно да спре, когато натиснете лоста на спирачката/предпазителя напред. Спирачката на веригата не ограничава ефекта от отката. Тя само намалява риска от наранявания, в случай че верижната шина се допре до тялото на оператора при възникване на откат. Изправността на верижната спирачка трябва да бъде тествана преди всяко използване на продукта – както в работеща, така и в спряна позиция на веригата.

ОГРАНИЧИТЕЛ НА ВЕРИГАТА

Уловителят на веригата предотвратява възможността веригата да отхвърчи назад към оператора, ако тя се разхлаби или се счупи.

СИМВОЛИ НА ПРОДУКТА



Предупреждение относно безопасността



Прочетете и осмислете всички указания, преди да започнете работа с продукта; спазвайте всички предупреждения и инструкции за безопасност.



Носете защитни средства за очите, слуха и главата.



Носете непързлящи се защитни обувки, когато използвате продукта.



Носете здрави ръкавици, пригодени против плъзгане.



Внимавайте за откат на верижния трион и избягвайте контакт с върха на шината.



Дръжте и работете с триона с двете си ръце.



Не работете с триона, като го държите само с една ръка.



Тази машина е в съответствие с нормативната уредба на държавата от ЕС, където е била закупена.



Използвайте безоловен бензин за автомобили, с октаново число 91 (R+M)/2) или по-високо.



Използвайте масло за 2-тактови двигатели с въздушно охлаждане.



Разбърквайте старателно горивото всеки път преди презареждане.



Добавяйте верижно масло всеки път, когато зареждате гориво в продукта.



Поставете верижната спирачка в позиция „RUN“ („РАБОТИ“)



Поставете верижната спирачка в позиция „BRAKE“ („СПИРАНЕ“)



Завъртете ключа на запалването до позиция ON.



Натиснете и отпуснете 10 пъти пусковата помпа .



Поставете дроселния лост на позиция „FULL“ (Пълно).



Дръпнете ръчката на стартера (но не повече от пет пъти), докато чуете как двигателят тръгва.



Поставете дроселния лост на позиция „HALF“ (Наполовина).



Издърпайте ръкохватката на стартера, докато двигателят се стартира.



Отпуснете фиксатора на спусъка и самия спусък.



EurAsian знак за съответствие



Гарантираното ниво на шум е 112 dB.



Верижно масло



Безоловен бензин и масло за 2-тактов двигател.



Включено положение



Позиция „Half choke“ („Полублокиране“)



Позиция „FULL“ (Пълно)



Ключалка



Отключване



Завъртете, за да регулирате огъна на веригата
+ = Обтегнете веригата
- = Отхлабете обтегнатостта на веригата



Посока на движение на веригата (Маркирано под капака на зъбното колело)



Нормален режим



Режим против замръзване



Настройка на скоростта на празен ход

- H Игла за регулиране към висока скорост
- L Игла за регулиране към ниска скорост

СИМВОЛИ В НАСТОЯЩОТО РЪКОВОДСТВО



Смесвайте и сипвайте горивото на открито, далеч от искри и пламък.



Не пушете, докато смесвате гориво или пълните резервоара.



Частите или принадлежностите се продават отделно



Електрическите уреди не трябва да се изхвърлят заедно с битовите отпадъци. Рециклирайте, където има възможност.



Забележка



Предупреждение!



Носете защитни средства за очите и лицето.



Носете защитни средства за горната част на тялото.



Носете защитни средства за краката.



Спрете уреда.



Заклучете капака за филтъра.



Отключете капака за филтъра.

⚠ ВНИМАНИЕ

Указва потенциално опасна ситуация, която ако не бъде избегната, може да доведе до дребни или средни наранявания.

ВНИМАНИЕ

Без предупредителен символ за безопасност

Указва ситуация, която може да доведе до имуществени щети.

Следните сигнални думи и техните съответни значения обясняват нивата на опасност, свързани с употребата на този продукт:

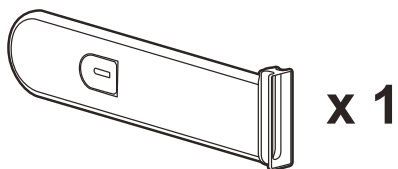
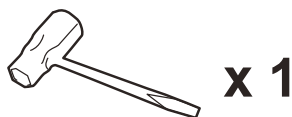
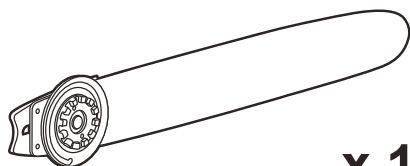
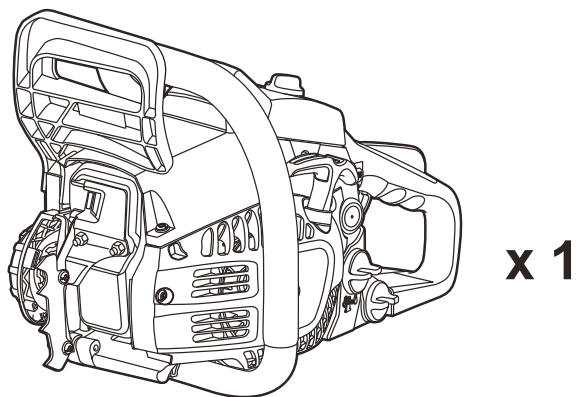
⚠ ОПАСНОСТ

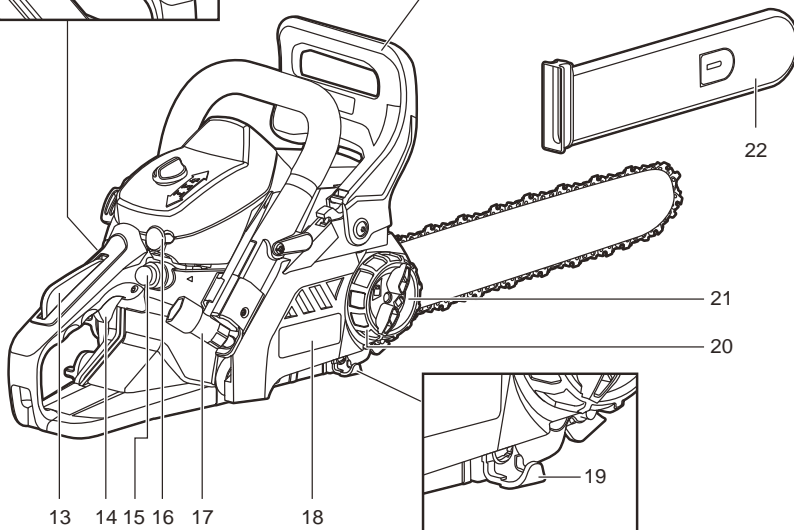
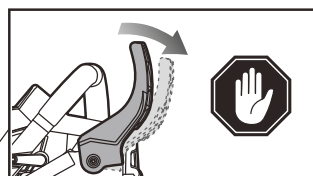
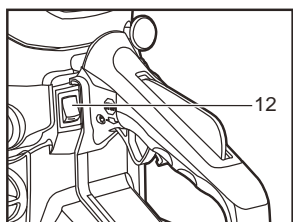
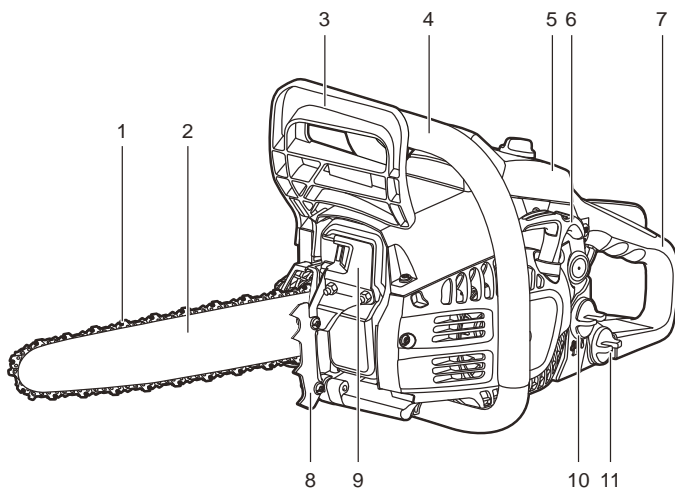
Указва неминуемо опасна ситуация, която ако не бъде избегната, ще доведе до сериозни наранявания или смърт.

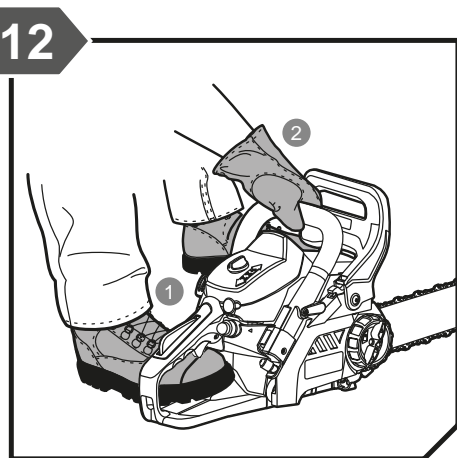
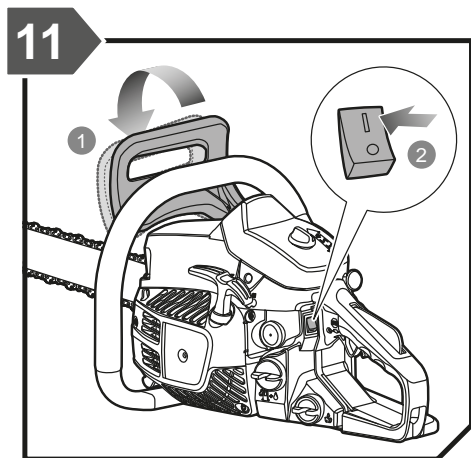
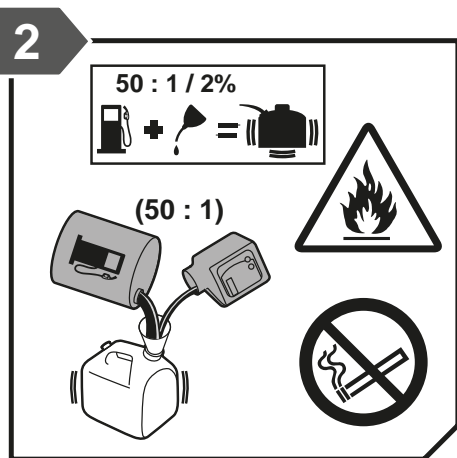
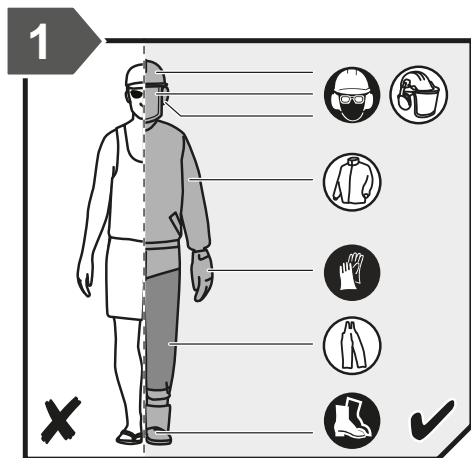
⚠ ПРЕДУПРЕЖДЕНИЕ

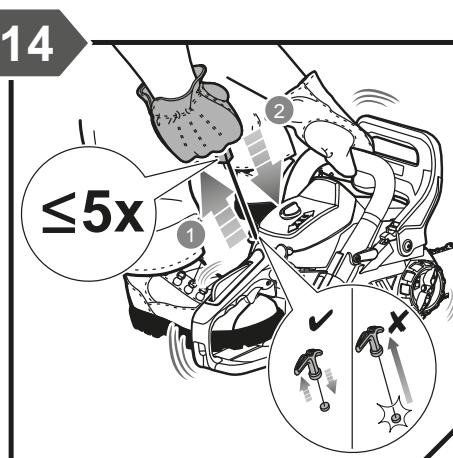
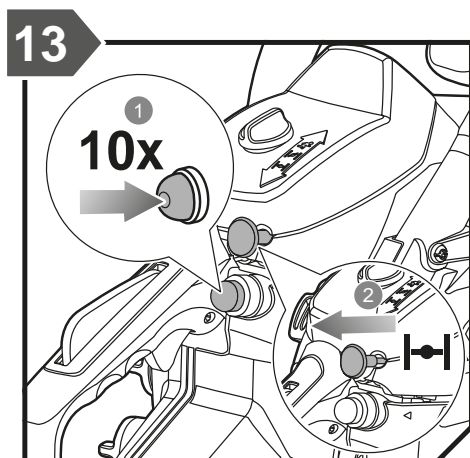
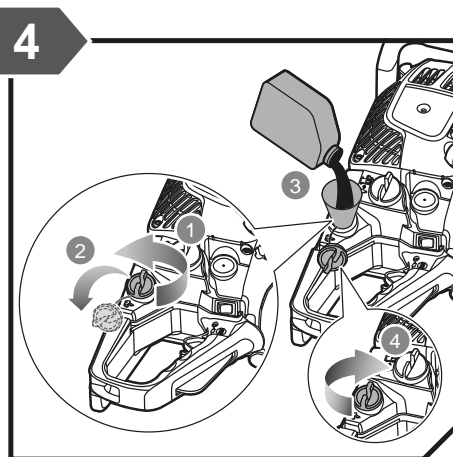
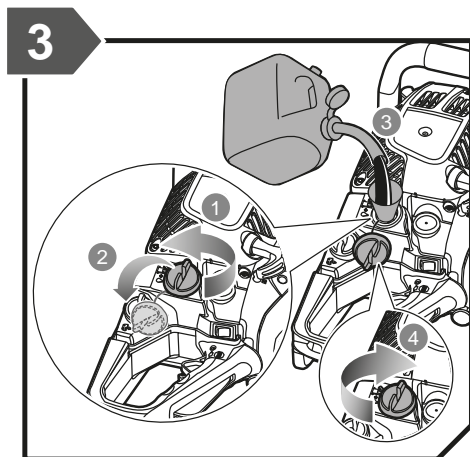
Указва потенциално опасна ситуация, която ако не бъде избегната, може да доведе до сериозни наранявания или смърт.

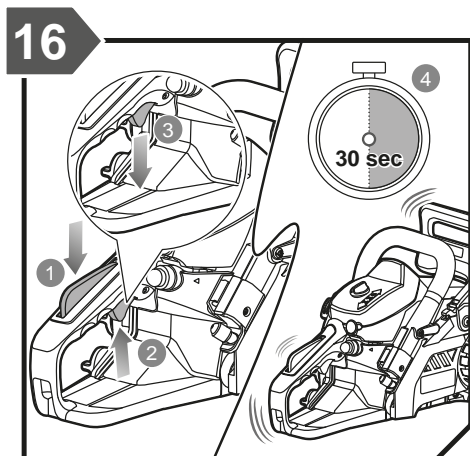
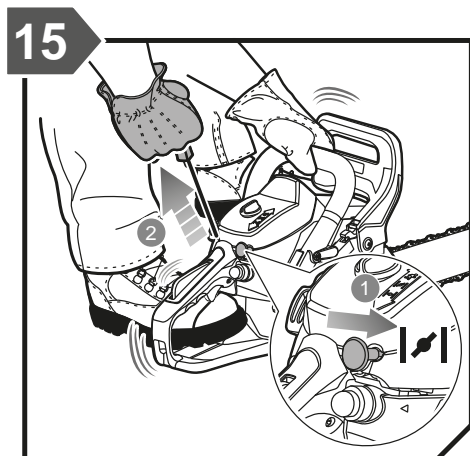
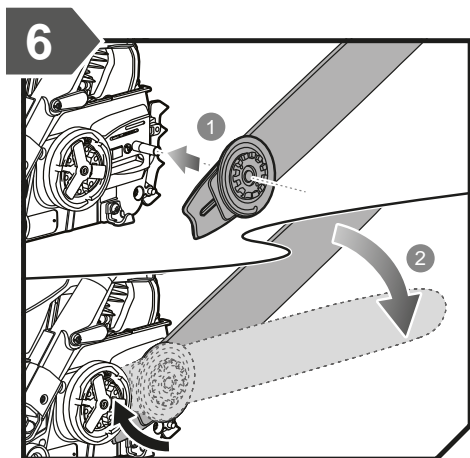
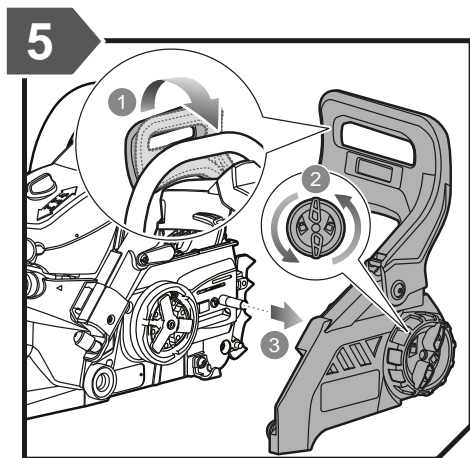


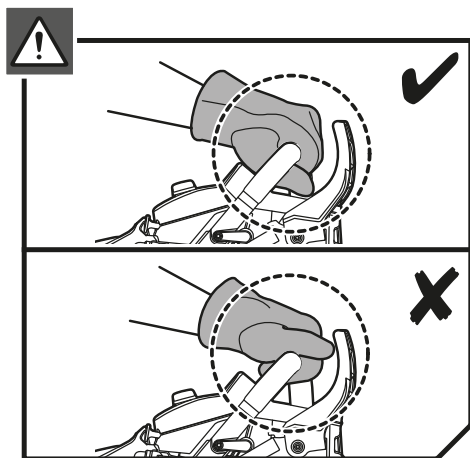
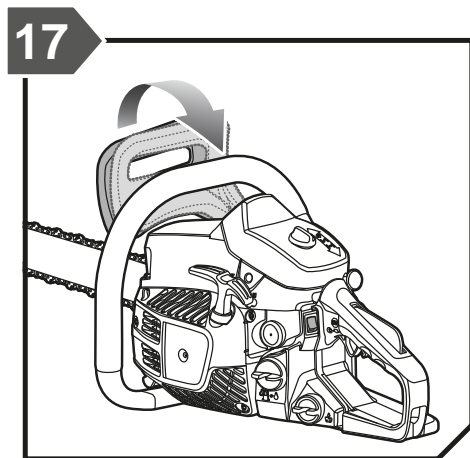
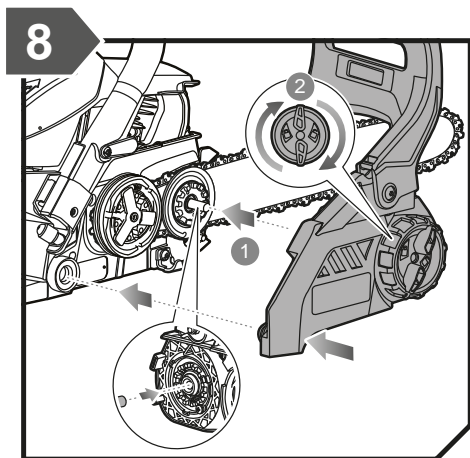
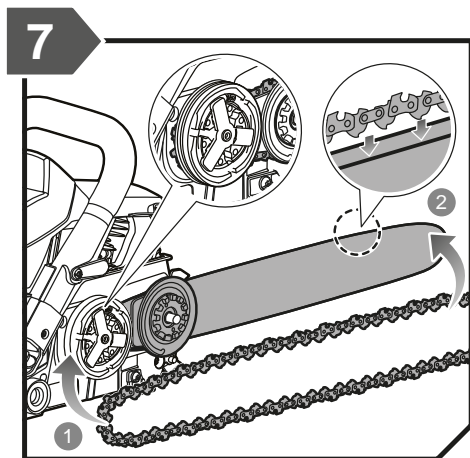


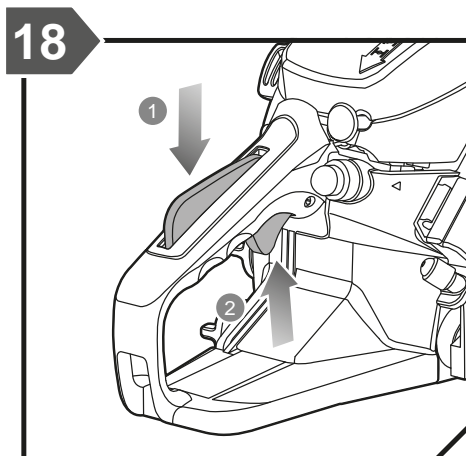
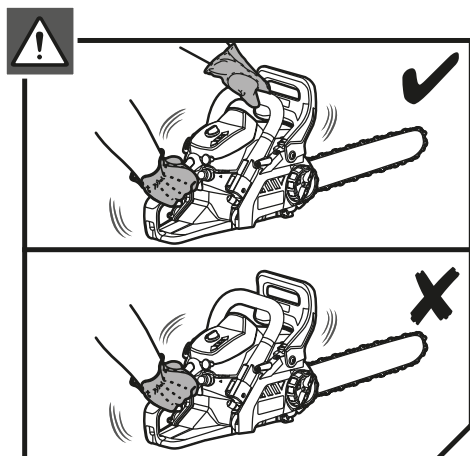
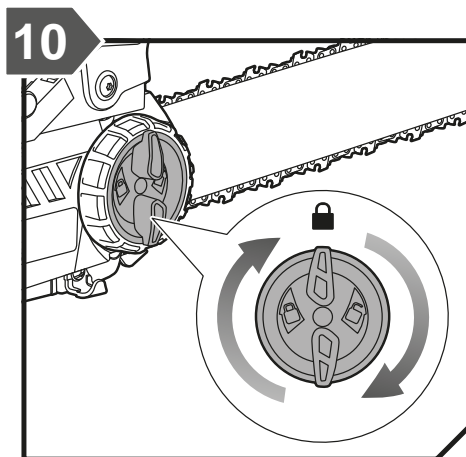
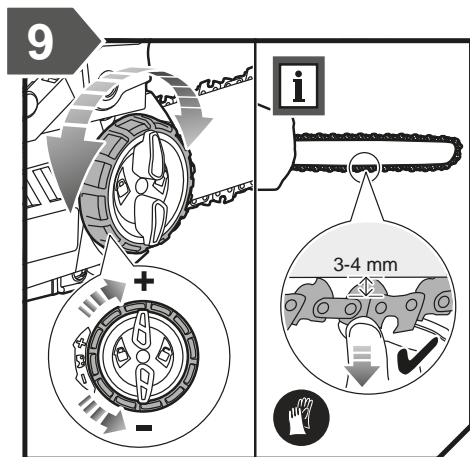








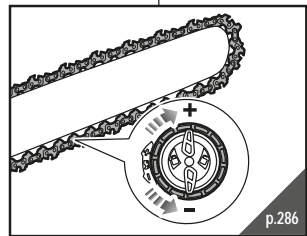
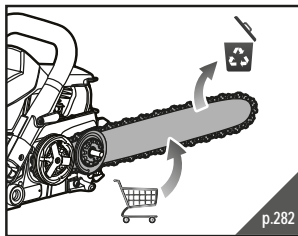
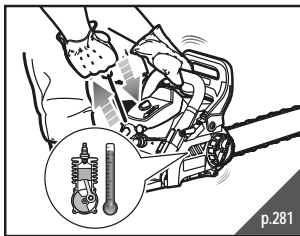
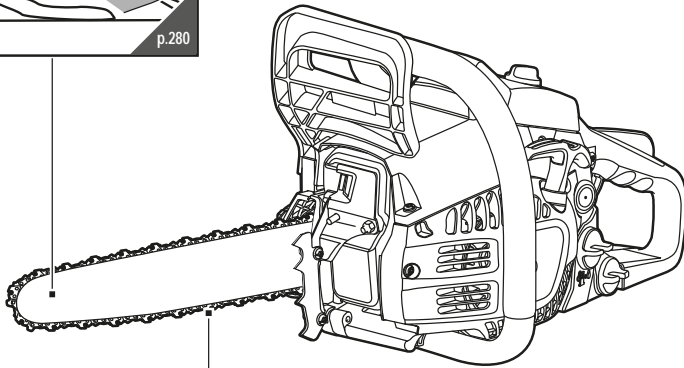
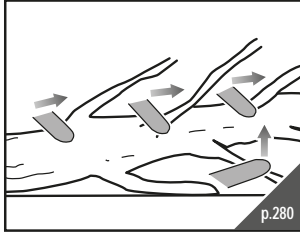
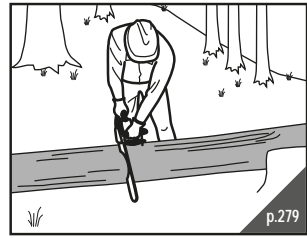
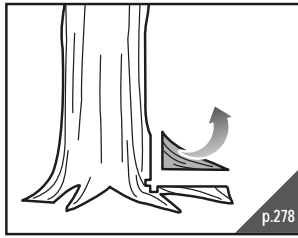
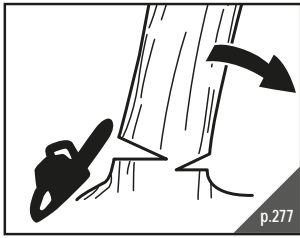


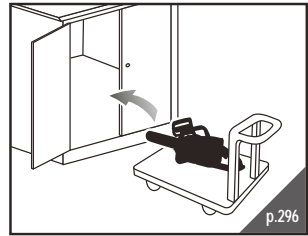
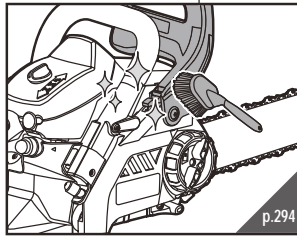
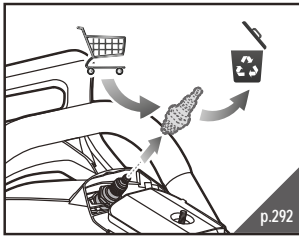
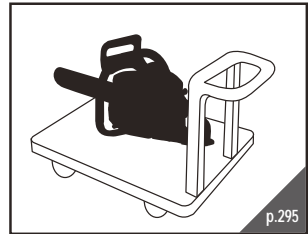
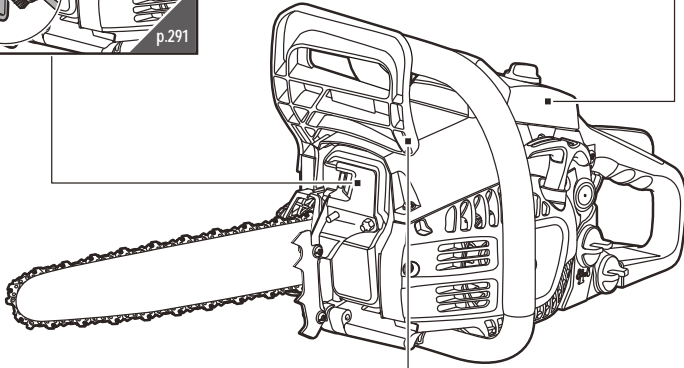
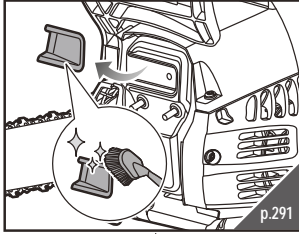
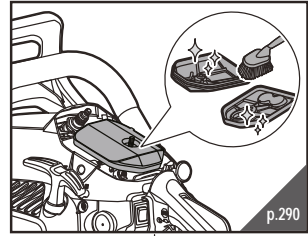
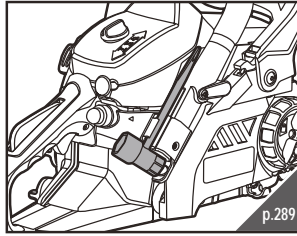
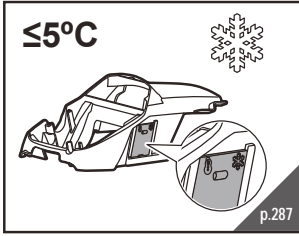


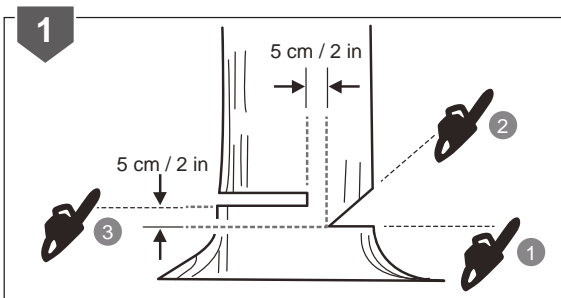
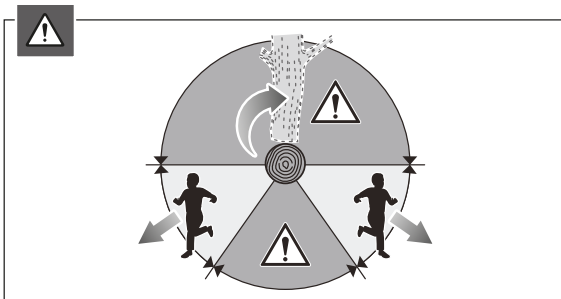
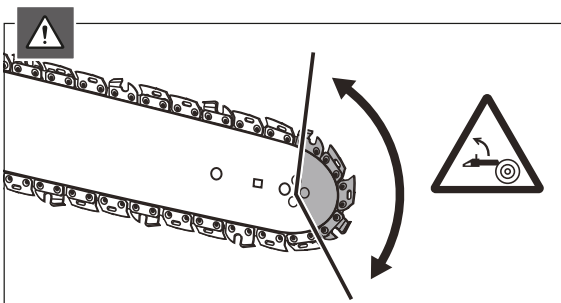
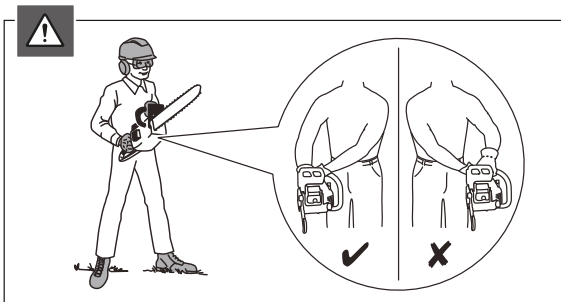
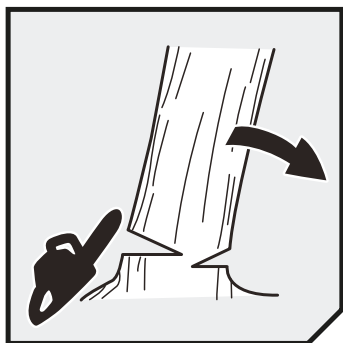


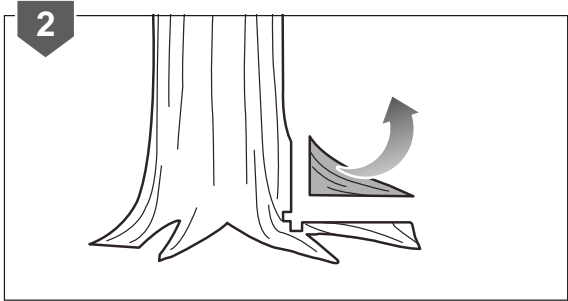
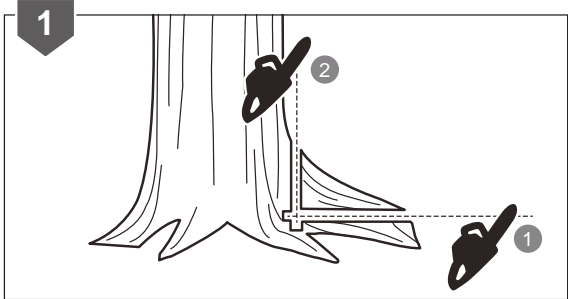
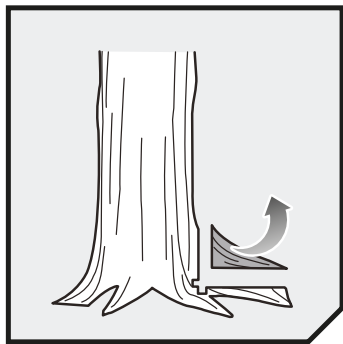
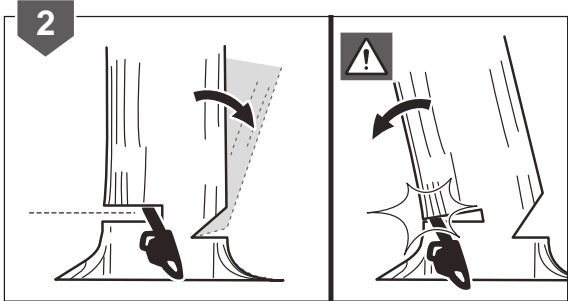
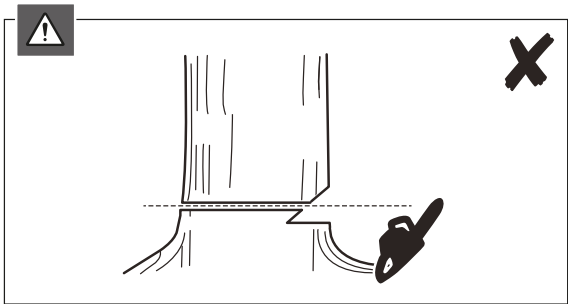


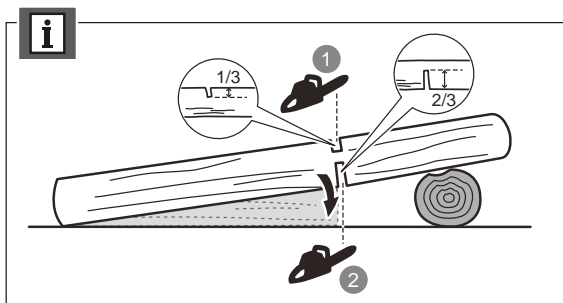
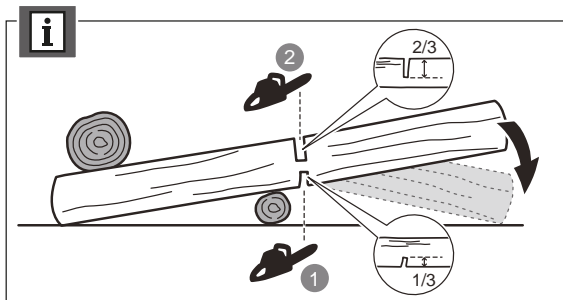
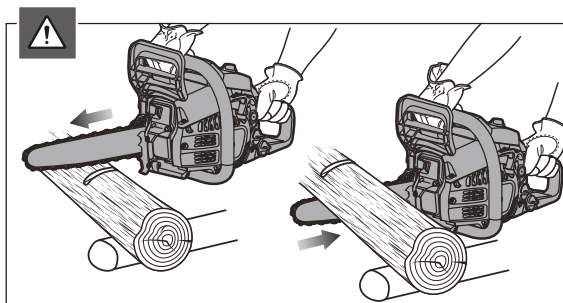
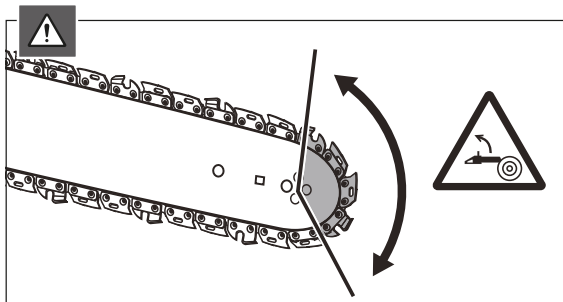
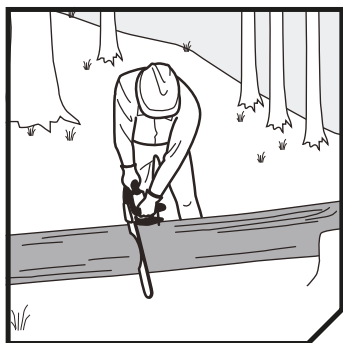


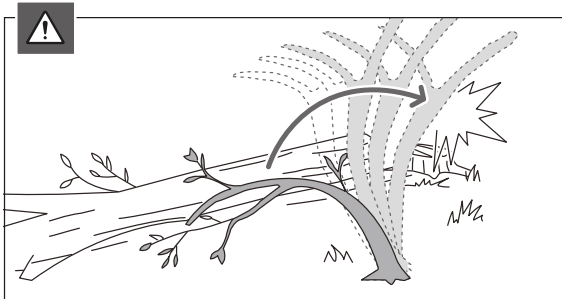
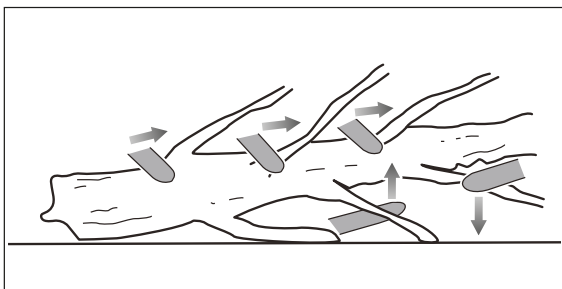
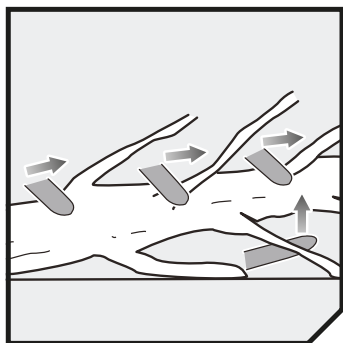


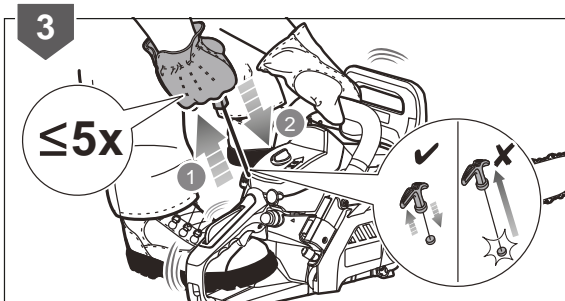
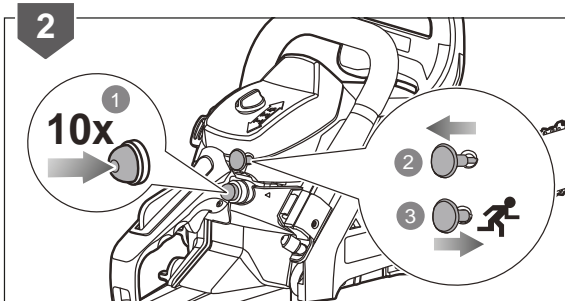
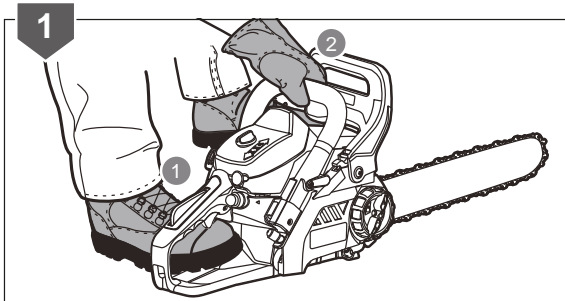
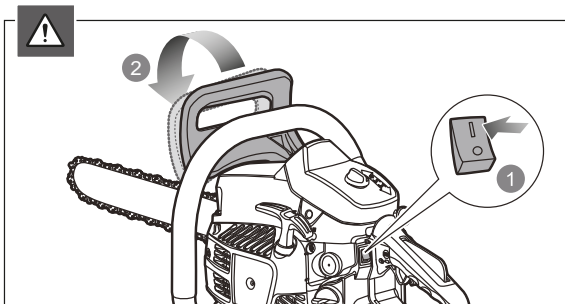
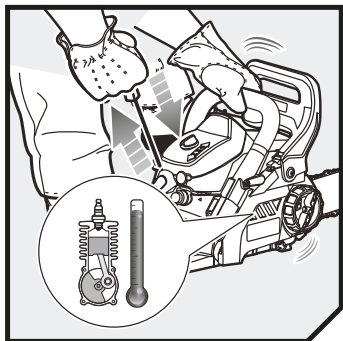


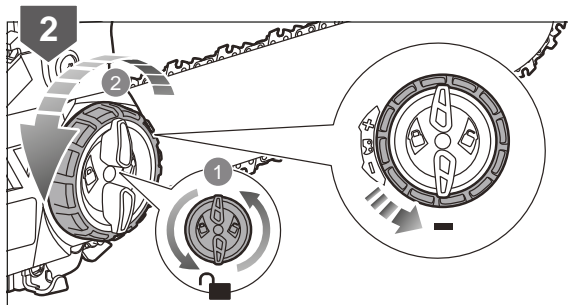
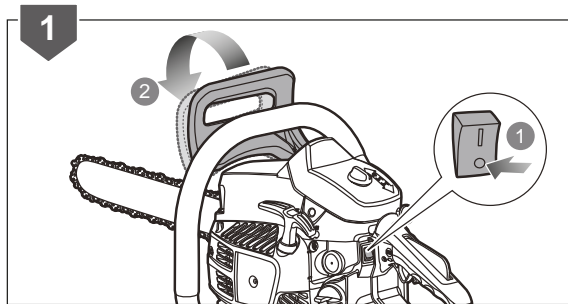
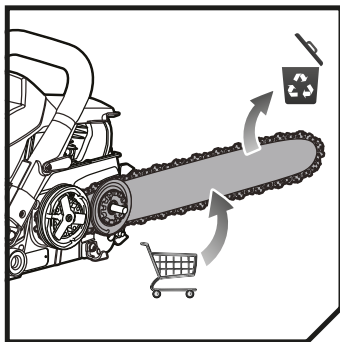
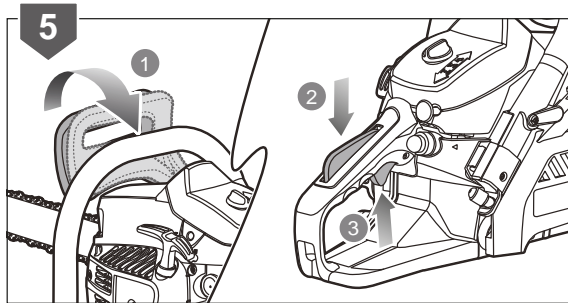
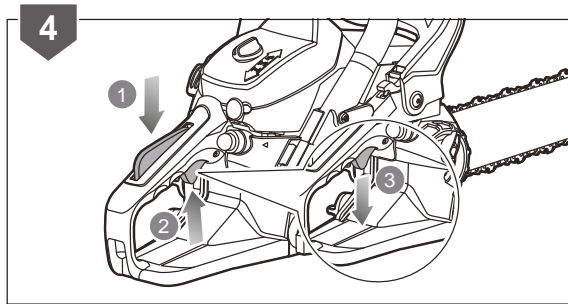


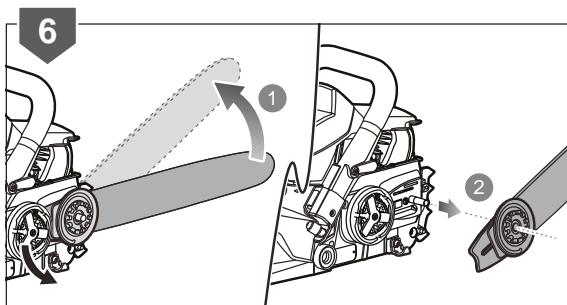
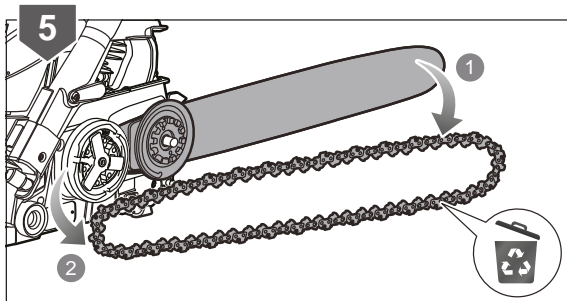
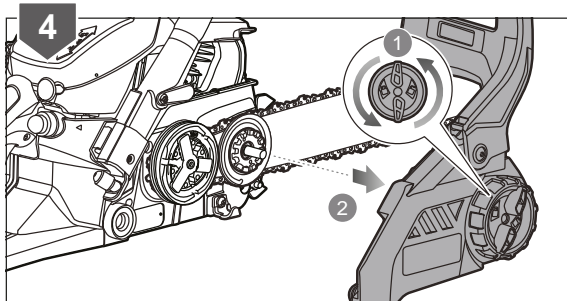
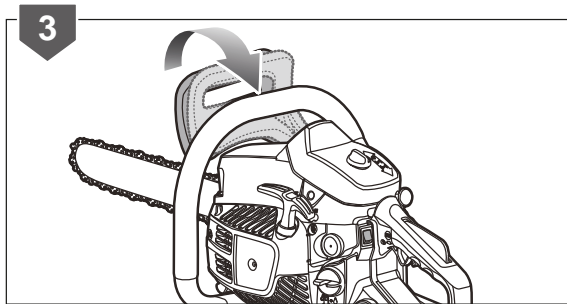


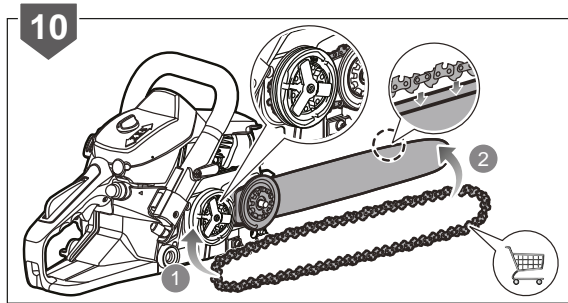
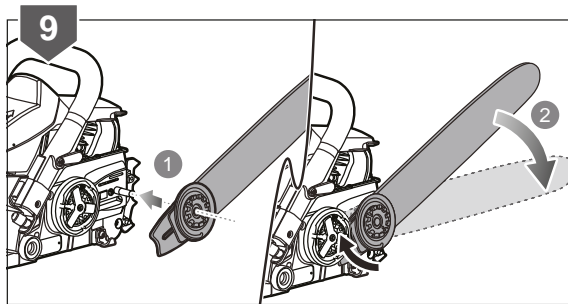
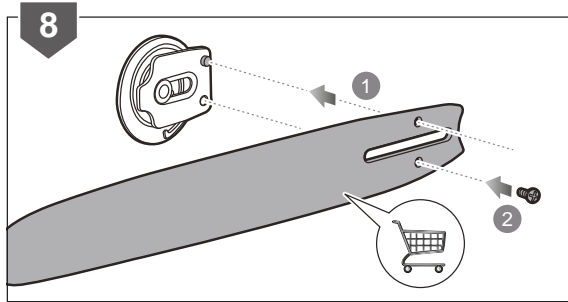
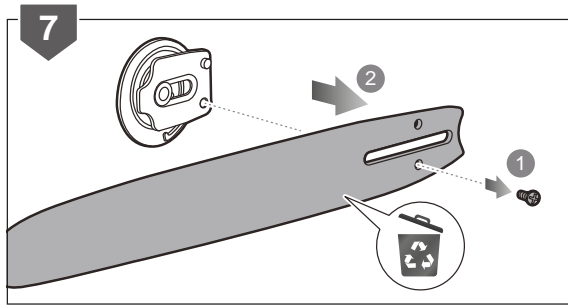


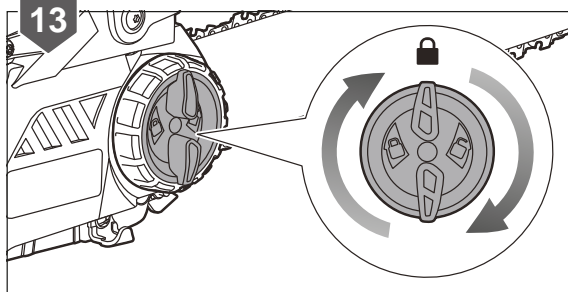
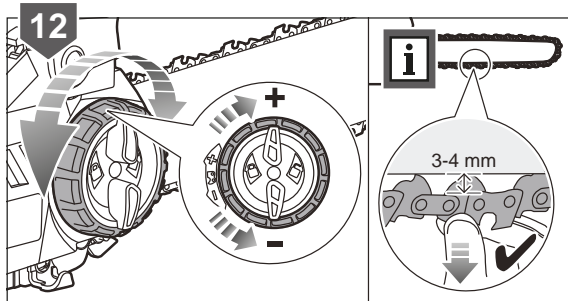
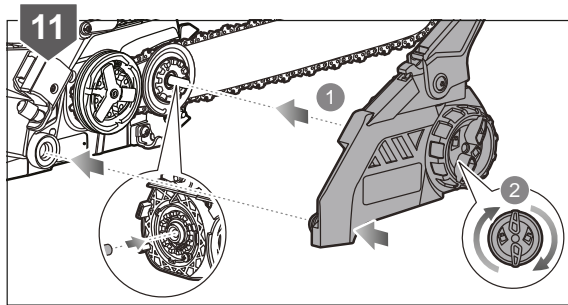


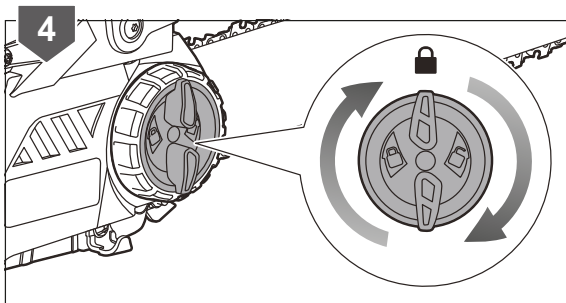
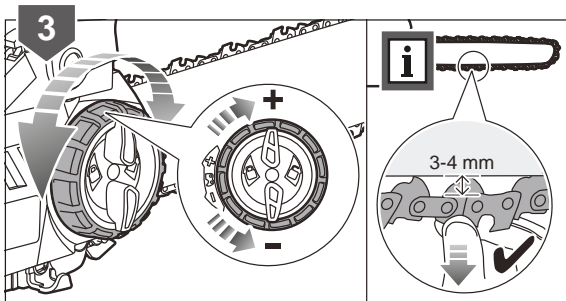
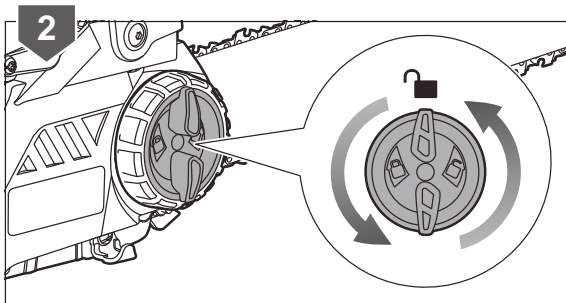
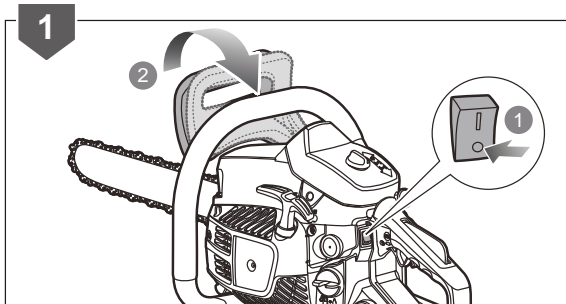
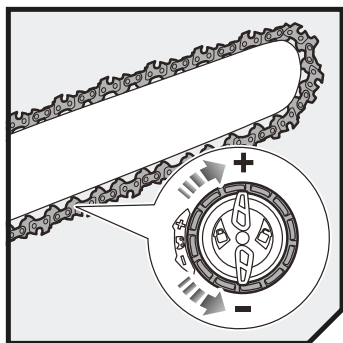


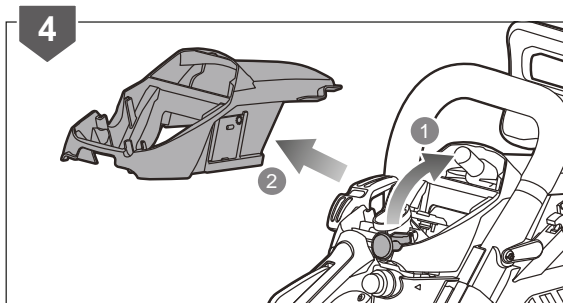
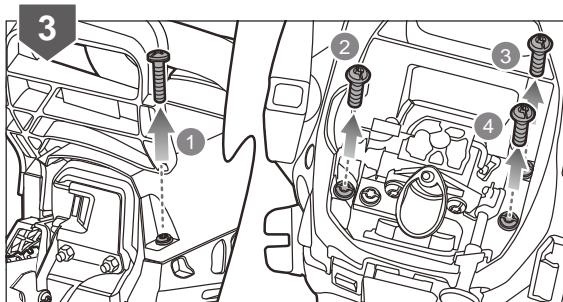
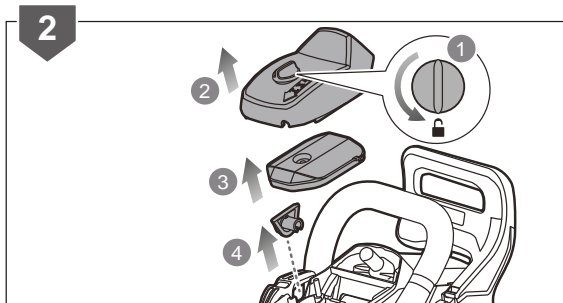
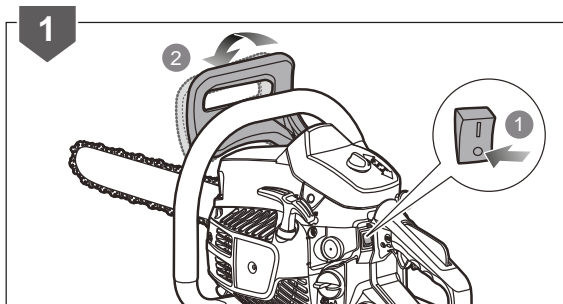
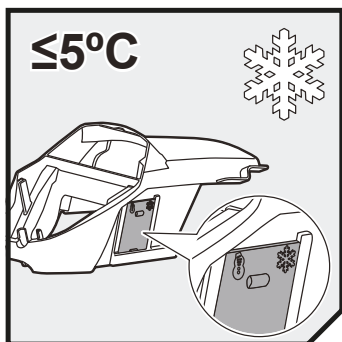


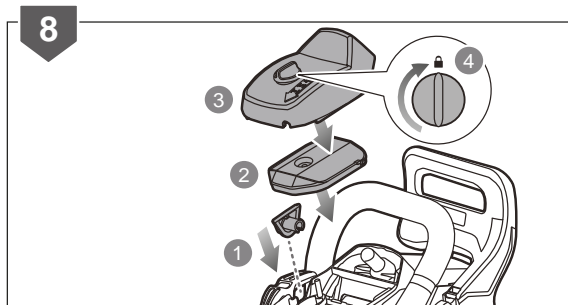
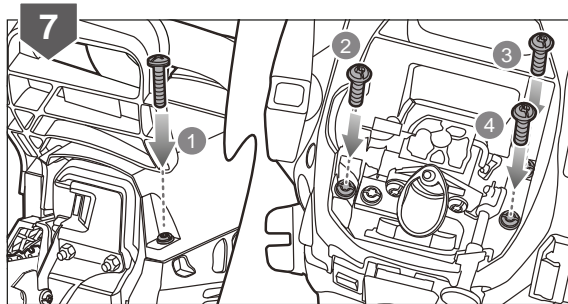
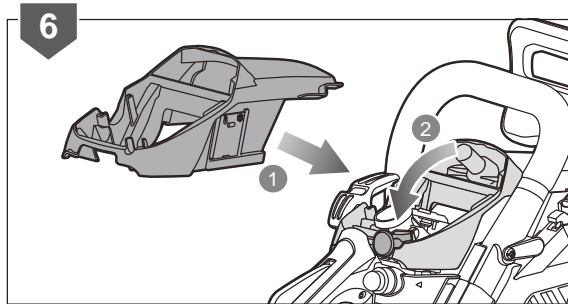
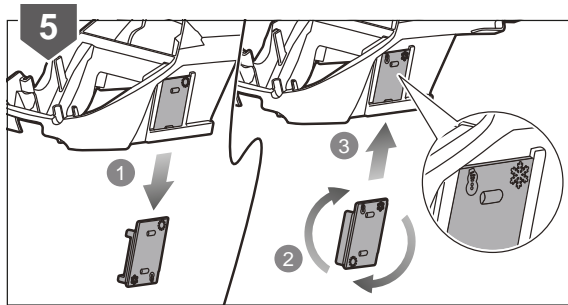


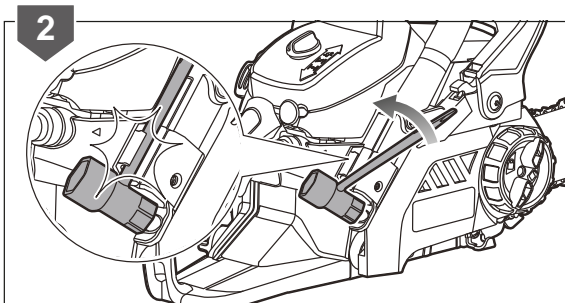
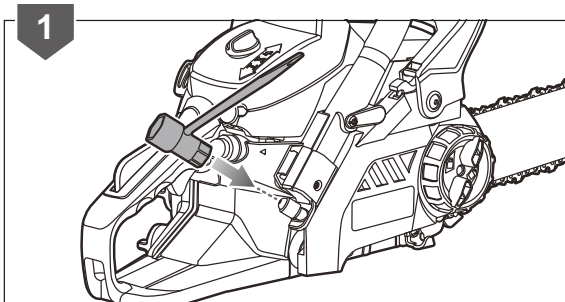
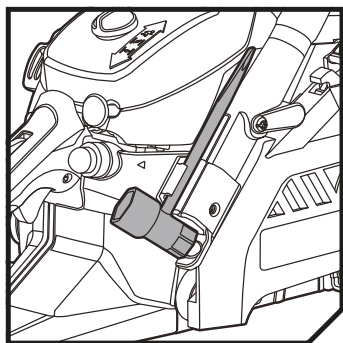


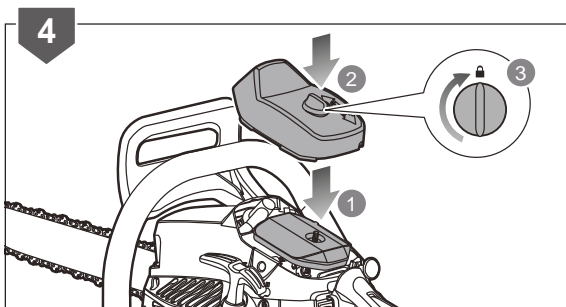
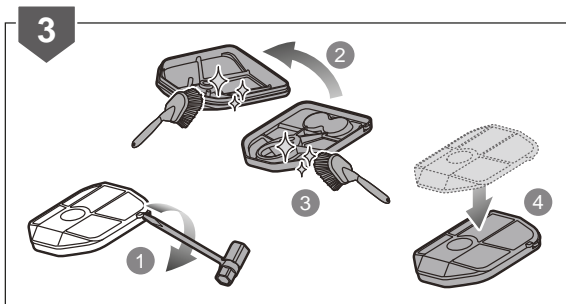
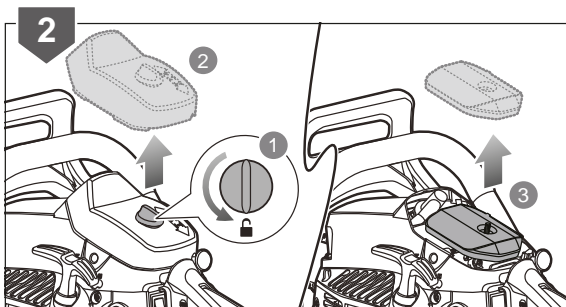
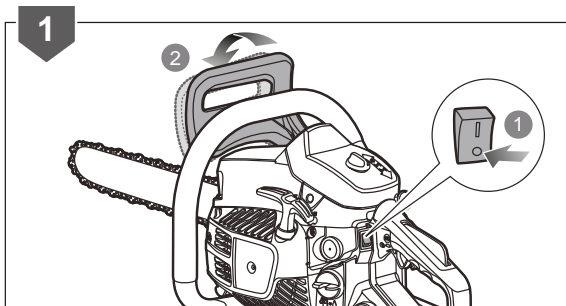
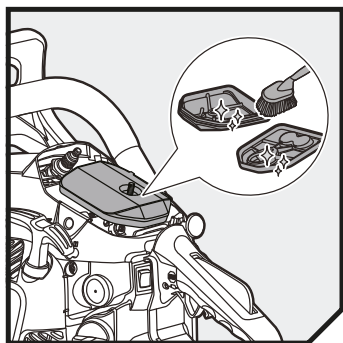


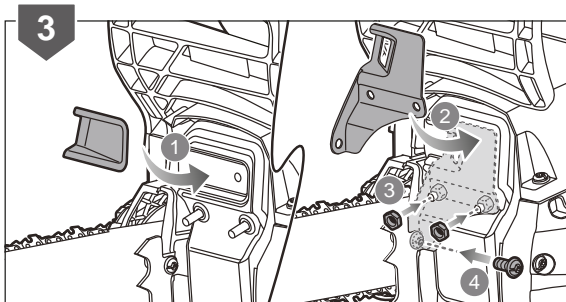
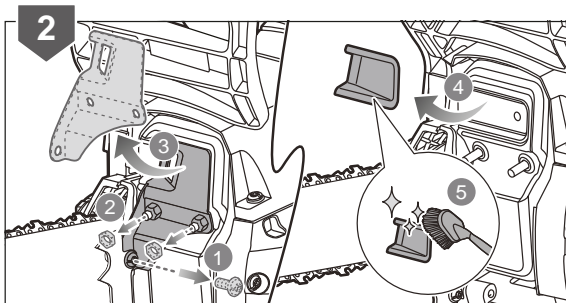
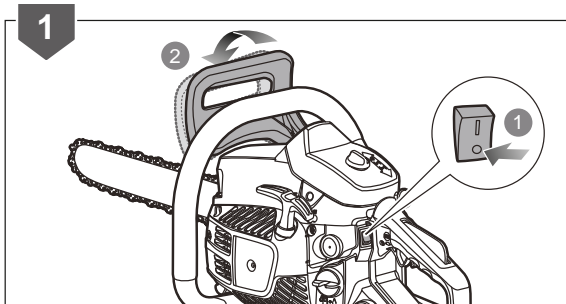
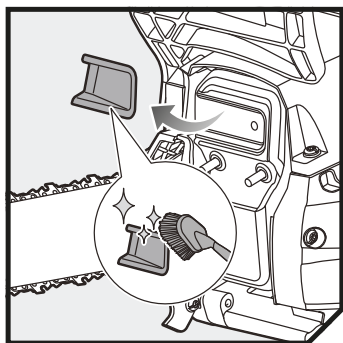


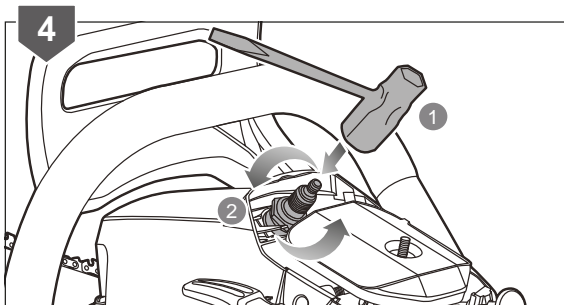
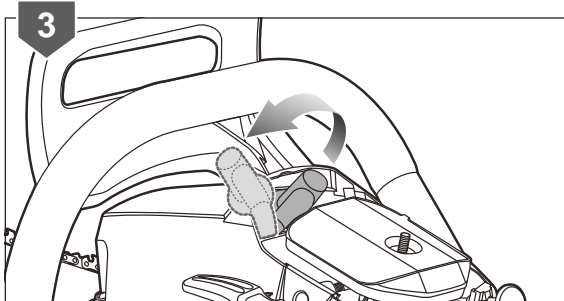
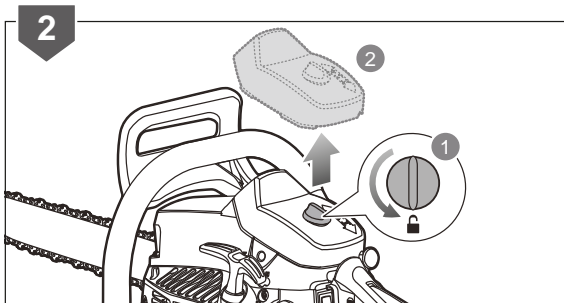
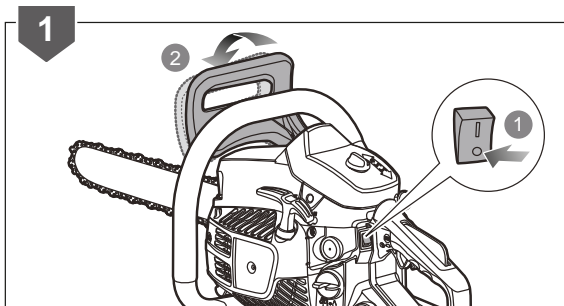
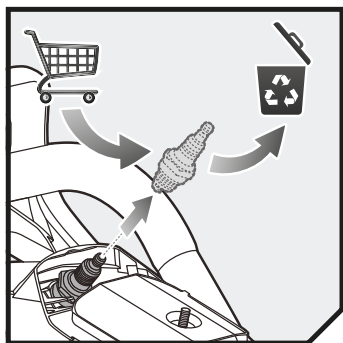


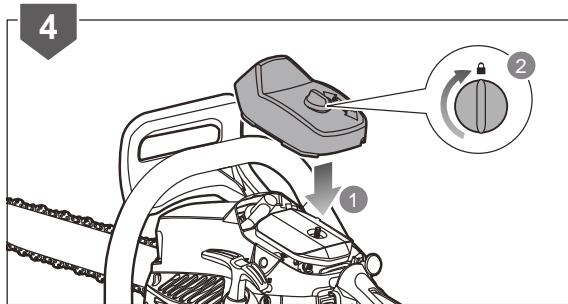
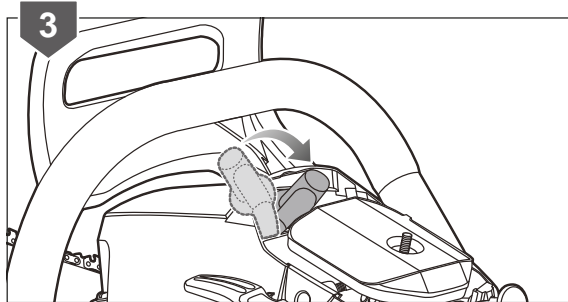
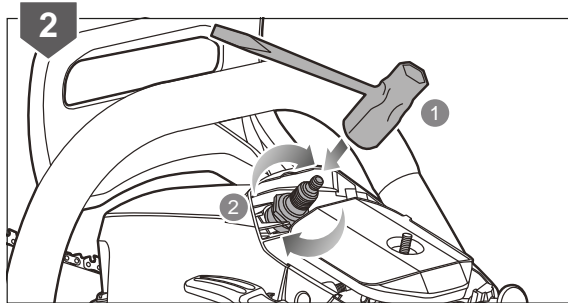
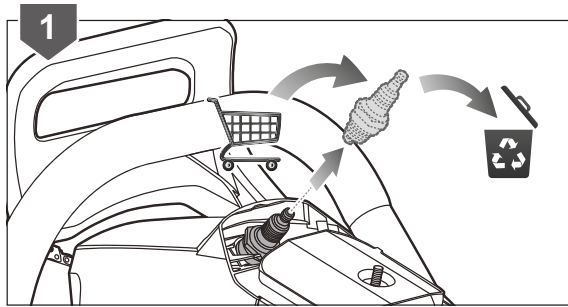


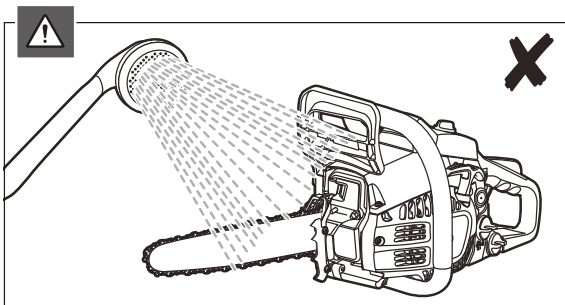
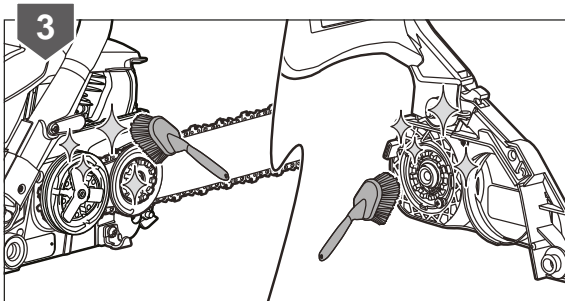
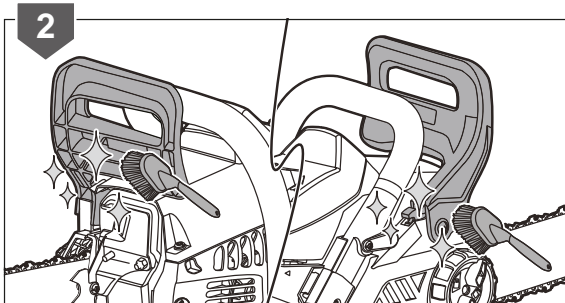
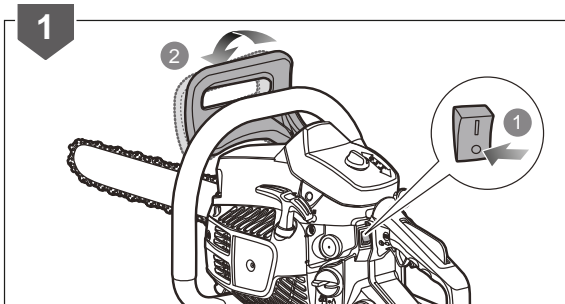
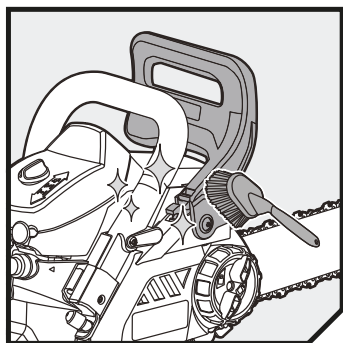


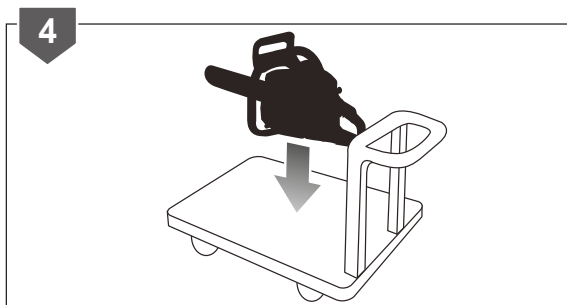
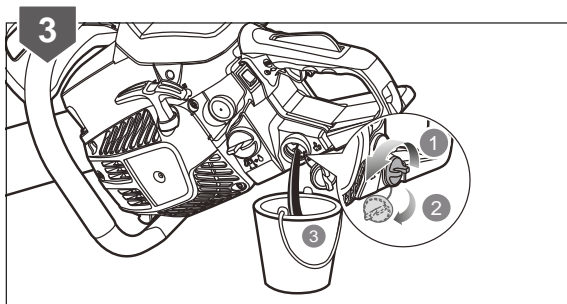
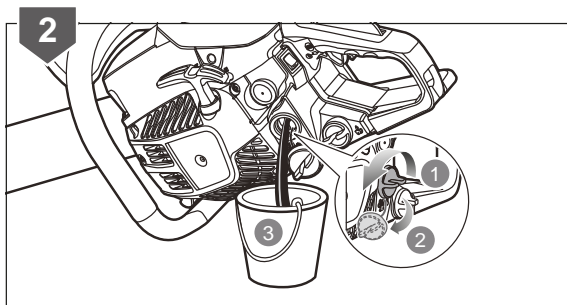
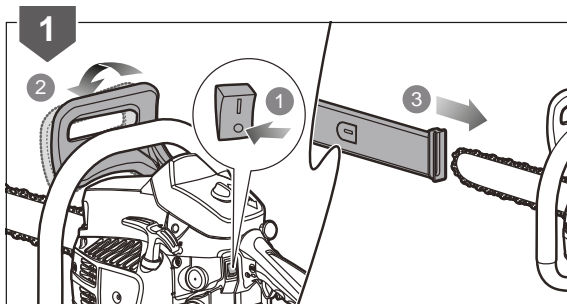
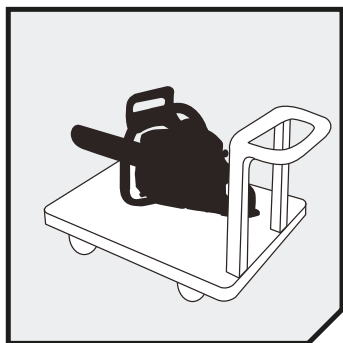


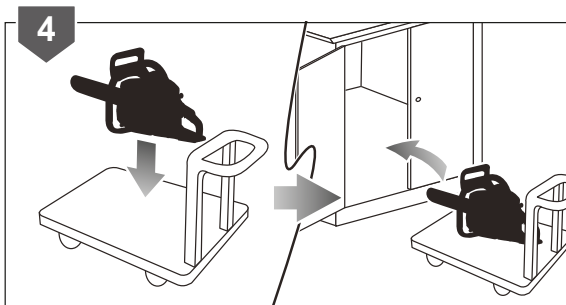
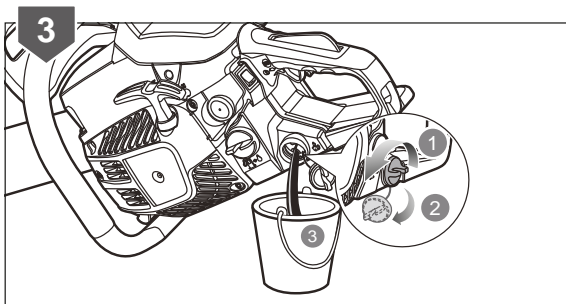
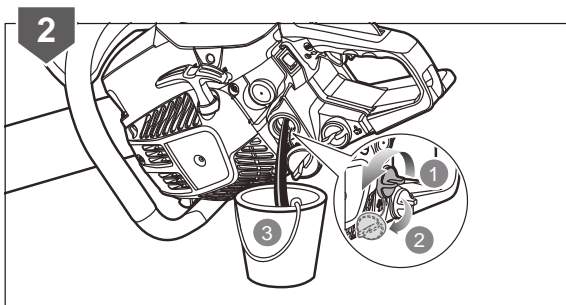
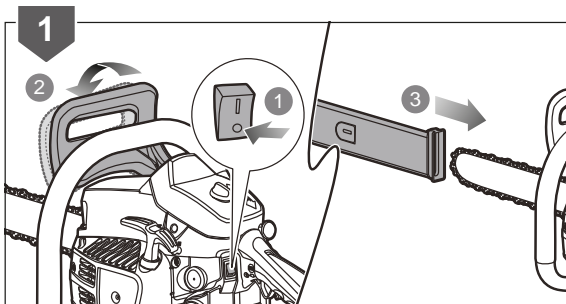
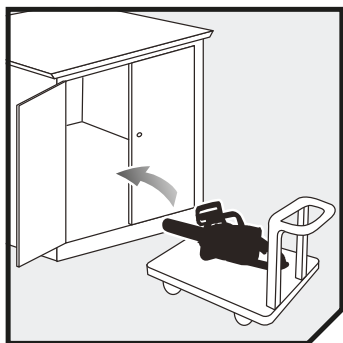












TROUBLESHOOTING

Problem	Possible cause	Solution
Engine will not start (Make sure ignition switch is in start position "I").	No spark.	The spark plug could be cracked or damaged. Replace the old spark plug with a new one and try to start again. If engine will still not start, return the product to an authorised service centre for further checking.
	Flooded engine.	With the ignition switch off, remove spark plug. Move choke lever to run position (pushed in completely) and pull starter grip 15 to 20 times. This will clear excess fuel from engine. Clean and reinstall spark plug. Set ignition switch to run (I) position. Push and fully release primer bulb 10 times. Pull starter grip three times with choke lever at run. If engine does not start, move choke lever to choke and repeat normal starting procedure. If engine still fails to start, repeat procedure with a new spark plug.
Engine starts but will not accelerate properly.	Carburettor requires "L" (Low jet) adjustment.	Contact an authorised service centre for carburettor adjustment.
Engine starts but will not run properly at high speed.	Carburettor requires "H" (High jet) adjustment.	Contact an authorised service centre for carburettor adjustment.
Engine does not reach full speed and/or emits excessive smoke.	Check lubricant fuel mixture.	Use fresh fuel and the correct 2-stroke lubricant mix ratio.
	Air filter dirty.	Clean the air filter.
	Spark arrester screen dirty.	Clean the spark arrester screen.
Engine starts, runs, and accelerates but will not idle.	Carburettor requires "H" (High jet) adjustment.	Contact an authorised service centre for carburettor adjustment.
	Carburettor requires adjustment.	Contact an authorised service centre for carburettor adjustment.
Engine starts and runs, but chain is not rotating.	Chain lubricant tank empty.	Lubricant tank should be filled every time.
	Check chain tension for overtight condition.	Tension the chain.
	Check for lubricating function.	Run at half throttle 30 to 45 seconds. Stop saw and check for lubricant dripping from guide bar. If lubricant is present, the chain may be dull or bar may be damaged. If no lubricant is on the guide bar, contact an authorised service centre.
Bar and chain running hot and smoking.	Chain brake engaged.	Release the chain brake.
	Chain tension too tight.	Tension the chain.
	Check guide bar and chain for damage.	Inspect the guide bar and chain for damage.
Engine dies during normal operation and will not restart.	Product set to anti-freeze mode at normal temperatures.	Set the product to normal operating mode. Allow the engine to cool down before restarting.
Engine will not start or does not reach full speed.	Product set to anti-freeze mode at normal temperatures.	Set the product to normal operating mode.
Engine does not reach full speed at low temperatures.	Product set to normal mode at low temperatures.	Set the product to anti-freeze mode.

GUIDE DE DÉPANNAGE

Problème	Cause possible	Solution
Le moteur ne démarre pas (Assurez-vous que l'interrupteur est sur marche "I").	Pas d'étincelle.	La bougie est peut-être fêlée ou endommagée. Remplacez la vieille bougie par une neuve et essayez à nouveau de démarrer. Si le moteur ne démarre toujours pas, retournez le produit à un service après-vente Ryobi pour des vérifications supplémentaires.
	Le moteur est noyé.	Retirez la bougie après avoir placé l'interrupteur sur arrêt. Poussez le levier de starter en position marche (complètement enfoncé) et tirez 15 à 20 fois la poignée du lanceur. Cela doit débarrasser le moteur de l'excédent de carburant. Nettoyez la bougie et remettez-la en place. Mettez l'interrupteur sur marche (I). Pompez la pompe d'amorçage 10 fois. Tirez sur la poignée du lanceur à 3 reprises avec le levier du starter en position "RUN". Si le moteur ne démarre pas, mettez le levier de starter en position starter et démarrez normalement. Si le moteur ne démarre toujours pas, répétez ces différentes étapes avec une bougie neuve.
Le moteur démarre mais n'accélère pas correctement.	La vis "L" (bas régime) nécessite un réglage.	Contactez un Centre Service Agréé pour effectuer le réglage.
Le moteur démarre mais ne fonctionne pas correctement à plein régime.	La vis "H" (haut régime) nécessite un réglage.	Contactez un Centre Service Agréé pour effectuer le réglage.
Le moteur n'atteint pas son plein régime et/ou dégage de la fumée en excès.	Vérifiez le mélange de carburant.	Utilisez un carburant récemment mélangé contenant la bonne proportion d'huile à 2 temps.
	Le filtre à air est sale.	Nettoyez le filtre à air.
	La grille pare-étincelles est sale.	Nettoyez la grille pare-étincelles.
	La vis "H" (haut régime) nécessite un réglage.	Contactez un Centre Service Agréé pour effectuer le réglage.
	Il faut régler le carburateur.	Contactez un Centre Service Agréé pour effectuer le réglage.
Le moteur démarre, tourne et accélère mais ne tient pas le ralenti.	Le réservoir d'huile pour chaîne est vide.	Le réservoir d'huile doit être rempli en même temps que le réservoir de carburant.
	Vérifiez que la chaîne n'est pas trop tendue.	Tendez la chaîne.
	Contrôlez le fonctionnement du graisseur.	Laissez le moteur tourner à mi-régime pendant 30 à 45 secondes. Arrêtez la tronçonneuse et contrôlez l'écoulement d'huile du guide-chaîne. S'il y a de l'huile, la chaîne peut être émoussée ou le guide endommagé. S'il n'y a pas d'huile sur le guide-chaîne, contactez un Centre Service Agréé.
Le guide et la chaîne chauffent et émettent de la fumée.	Le frein de chaîne est enclenché.	Dégagez le frein de chaîne.
	La chaîne est trop tendue.	Tendez la chaîne.
	Vérifiez l'état du guide-chaîne et de la chaîne.	Vérifiez si le guide-chaîne et la chaîne sont endommagés.
Le moteur cale en utilisation normale et ne parvient pas à redémarrer.	Le produit est en mode antigel alors que la température ambiante est normale.	Mettez le produit en mode normal de fonctionnement. Laissez le moteur refroidir avant de le redémarrer.
Le moteur ne démarre pas ou n'atteint pas son régime maximal.	Le produit est en mode antigel alors que la température ambiante est normale.	Mettez le produit en mode normal de fonctionnement.
Le moteur n'atteint pas son plein régime en température ambiante basse.	Le produit est en mode normal alors que la température ambiante est basse.	Mettez le produit en mode antigel.

FEHLERBEHEBUNG

Problem	Mögliche ursache	Lösung
Motor springt nicht an. (Sicherstellen, dass der Startstellung "I" ist.)	Kein Funke.	Die Zündkerze könnte gesprungen oder beschädigt sein. Tauschen Sie die alte Zündkerze durch eine neue aus und versuchen Sie noch einmal zu starten. Falls der Motor nicht anspringt, bringen Sie das Produkt zur weiteren Prüfung zurück zu einem Ryobi Fachhändler.
	Motor ist "abgesoffen".	Die Zündkerze bei ausgeschaltetem Zündschalter herausnehmen. Den Drosselklappenhebel auf "lauf" stellen (ganz hineingedrückt) und 15 bis 20 Mal am Anlasserseil ziehen. Das entfernt überschüssigen Kraftstoff aus dem Motor. Die Zündkerze reinigen und wieder einbauen. Den Zündschalter auf "lauf" (I) stellen. Den Primer 10 Mal drücken und wieder ganz loslassen. Ziehen Sie, mit dem Chochebel in der „BETRIEB“ Position, den Startergriff 3 Mal. Wenn der Motor nicht anspringt, den Drosselklappenhebel auf "choke" (Drosselklappe) stellen und das normale Verfahren zum Anlassen wiederholen. Wenn der Motor noch immer nicht anspringt, den Vorgang mit einer neuen Zündkerze wiederholen.
Motor springt an, nimmt aber kein Gas an.	Korrektur der Vergasereinstellung ist erforderlich.	Eine Servicevertretung zur Vergasereinstellung verständigen.
Motor springt an, läuft aber bei hoher Drehzahl nicht korrekt.	Korrektur der Vergasereinstellung ist erforderlich.	Eine Servicevertretung zur Vergasereinstellung verständigen.
Motor erreicht die Nennrehzahl nicht und/oder raucht stark.	Öl-Kraftstoff-Gemisch prüfen.	Frisches Benzin und die korrekte Zweitaktmotorölmischung verwenden.
	Luftfilter ist verschmutzt.	Den Luftfilter reinigen.
	Funkenlöschsieb ist verschmutzt.	Das Funkenschutzgitter reinigen.
	Korrektur der Vergasereinstellung ist erforderlich.	Eine Servicevertretung zur Vergasereinstellung verständigen.
Motor springt an, läuft, beschleunigt, läuft aber nicht bei Leerlaufdrehzahl.	Vergaser muss eingestellt werden.	Eine Servicevertretung zur Vergasereinstellung verständigen.
Motor springt an, läuft im Leerlauf, aber Kette dreht sich nicht.	Kettenöltank ist leer.	Öltank muss bei jedem Füllen des Kraftstofftanks gefüllt werden.
	Prüfen, ob die Kettenspannung nicht zu straff ist.	Spannen der Kette.
	Die Funktion des Ölers prüfen.	Motor 30 bis 45 Sekunden mit Halbgas betreiben. Die Säge abschalten und prüfen, ob Öl von der Führungsschiene abtropft. Wenn Öl vorhanden ist, kann die Kette stumpf oder die Schiene beschädigt sein. Wenn kein Öl vorhanden ist, eine Servicevertretung verständigen.
Schiene und Kette laufen heiß und rauchen.	Kettenbremse ist aktiviert.	Lösen Sie die Kettenbremse
	Kette zu stark gespannt.	Spannen der Kette.
	Führungsschiene und Kette auf Schäden prüfen.	Führungsschiene und Kette auf Schäden prüfen.
Der Motor stirbt im normalen Betrieb ab und lässt sich nicht mehr starten.	Das Produkt ist bei normaler Temperatur auf Gefrierschutzmodus gestellt.	Stellen Sie das Produkt auf Normalmodus. Lassen Sie das Gerät erst abkühlen, bevor Sie es neu starten.
Der Motor startet nicht oder erreicht nicht die volle Drehzahl.	Das Produkt ist bei normaler Temperatur auf Gefrierschutzmodus gestellt.	Stellen Sie das Produkt auf Normalmodus.
Der Motor erreicht die volle Drehzahl nicht bei niedriger Temperatur.	Das Produkt ist bei niedriger Temperatur auf Normalmodus gestellt.	Stellen Sie das Produkt auf Gefrierschutzmodus.

RESOLUCIÓN DE PROBLEMAS

Problema	Causa posible	Solución
El motor no arranca. (Compruebe que el interruptor de encendido está en la posición de arranque "I".)	No hay bujía.	La bujía podría romperse o resultar dañada. Sustituya la bujía vieja por una nueva e intente volver a arrancar. Si el motor no arranca, lleve el producto a un servicio técnico de Ryobi para que lo revisen.
	El motor está ahogado.	Con el interruptor de encendido apagado, extraiga la bujía. Desplace la palanca del estrangulador a la posición de funcionamiento (completamente presionado) y tire de la cuerda del arrancador de 15 a 20 veces. Esta operación eliminará el exceso de combustible del motor. Limpie y vuelva a colocar la bujía. Ponga el interruptor de encendido en la posición de funcionamiento (I). Pulse y suelte totalmente el cebador 10 veces. Tire de la palanca de arranque 3 veces con la palanca del estrangulador en posición "RUN". Si el motor no arranca, mueva la palanca a la posición de estrangulamiento y repita el procedimiento normal de arranque. Si el motor sigue sin arrancar, repita el procedimiento con una bujía nueva.
El motor arranca pero no acelera correctamente.	El carburador necesita el ajuste "L" (Paso bajo).	Póngase en contacto con el servicio técnico para un ajuste del carburador.
El motor arranca pero no acelera correctamente a alta velocidad.	El carburador necesita el ajuste "H" (Paso alto).	Póngase en contacto con el servicio técnico para un ajuste del carburador.
El motor no alcanza la velocidad máxima y/o produce demasiado humo.	Compruebe la mezcla de aceite y gasolina.	Utilice una mezcla reciente de gasolina y aceite para motores de dos tiempos en la proporción correcta.
	El filtro de aire está sucio.	Limpie el filtro de aire.
	La pantalla apagachispas está sucia.	Limpie la pantalla apagachispas.
El motor arranca, funciona y acelera, pero no funciona en ralentí.	El carburador necesita el ajuste "H" (Paso alto).	Póngase en contacto con el servicio técnico para un ajuste del carburador.
	El carburador necesita un ajuste.	Póngase en contacto con el servicio técnico para un ajuste del carburador.
	Depósito de aceite de la cadena vacío.	El depósito de aceite se debe llenar cada vez que se llena el depósito de combustible.
El motor arranca y funciona, pero la cadena no gira.	Compruebe la tensión de la cadena para verificar que no sea excesiva.	Tensione la cadena.
	Compruebe el funcionamiento del engrasador.	Haga funcionar el motor a velocidad media entre 30 y 45 segundos. Pare la sierra y compruebe si gotea aceite de la espada. Si hay aceite, la cadena debe de estar roma o la espada dañada. Si no hay aceite en la espada, póngase en contacto con el servicio técnico.
	Freno de la cadena activado.	Suelte el freno de la cadena.
Al funcionar, la espada y la cadena se calientan y sale humo.	Tensión excesiva de la cadena.	Tensione la cadena.
	Compruebe si la espada y la cadena presentan daños.	Inspeccione si la espada y la cadena presentan daños.
	Producto configurado en modo anticongelante a temperaturas normales.	Ajuste el producto a modo de funcionamiento normal. Deje que el motor se enfríe antes de volver a encenderlo.
El motor se para durante el funcionamiento normal y no se reinicia.	Producto configurado en modo anticongelante a temperaturas normales.	Ajuste el producto a modo de funcionamiento normal.
El motor no arranca o no alcanza la máxima velocidad.	Producto configurado en modo normal a bajas temperaturas.	Ajuste el producto a modo anticongelante.

RISOLUZIONE DEI PROBLEMI

Problema	Causa	Soluzione
Il motore non si avvia (accertarsi che l'interruttore di accensione sia in posizione "I").	Manca la candela.	La candela potrà essere lesionata o danneggiata. Sostituire la candela vecchia con una nuova e provare ad avviare di nuovo l'utensile. Se il motore non si avvia, riportare il prodotto a un centro servizi Ryobi autorizzato per sottoporlo ad ulteriori controlli.
	Il motore è ingolfato.	Assicurarsi che l'interruttore di accensione sia spento e togliere la candela. Portare la leva dello starter in posizione "corsa" (rientrato completamente) e tirare la funicella di avvio 15-20 volte. In questo modo si elimina il carburante in esubero dal motore. Pulire e reinstallare la candela. Portare l'interruttore di accensione in posizione "I" (corsa). Premere e rilasciare il bulbo di innesco per 10 volte. Tirare la leva di avvio 3 volte con la leva dell'aria sulla posizione "RUN" (Avvio). Se il motore non si avvia, portare la leva dello starter in posizione "avvio" e attenersi alle normali istruzioni di avvio. Se il motore comunque non si avvia, ripetere la procedura con una candela nuova.
Il motore si avvia ma non accelera correttamente.	L'ago "L" (getto basso) del carburatore deve essere regolato.	Affidare la regolazione del carburatore a un concessionario.
Il motore si avvia ma non funziona correttamente a velocità elevata.	L'ago "H" (getto alto) del carburatore deve essere regolato.	Affidare la regolazione del carburatore a un concessionario.
Il motore non raggiunge la velocità massima e/o emette una quantità eccessiva di fumo.	Controllare la miscela di olio e carburante.	Utilizzare carburante fresco e una miscela in rapporto corretto con l'olio per motori a 2 tempi.
	Il filtro dell'aria è sporco.	Pulire il filtro dell'aria.
	La griglia parascintille è sporca.	Pulire la griglia parascintille.
Il motore si mette in moto, funziona e accelera ma non va al minimo.	L'ago "H" (getto alto) del carburatore deve essere regolato.	Affidare la regolazione del carburatore a un concessionario.
	Il carburatore deve essere regolato.	Affidare la regolazione del carburatore a un concessionario.
	Il serbatoio dell'olio è vuoto.	Riempire il serbatoio dell'olio ogni volta che si fa rifornimento di carburante.
Il motore si mette in moto e funziona al minimo, ma la catena non ruota.	Verificare la tensione della catena, poiché potrebbe essere eccessiva.	Tensionamento catena.
	Assicurarsi che il sistema di erogazione dell'olio funzioni.	Lasciare il motore in funzione a velocità intermedia per 30-45 secondi. Arrestare la sega e verificare la presenza di un gocciolamento d'olio dalla barra di guida. Se vi è olio, la catena è smussata o la barra è danneggiata. Se invece la barra di guida non presenta tracce di olio, rivolgersi ad un Centro di Assistenza Autorizzato.
	Il freno della catena è innestato.	Sbloccare il freno della catena.
La barra e la catena si surriscaldano ed emettono fumo.	La catena è eccessivamente tesa.	Tensionamento catena.
	Verificare che la barra di guida e la catena non abbiano subito danni.	Verificare che la barra di guida e la catena non abbiano subito danni.
Il motore smette di funzionare durante le normali operazioni e non si riavvierà.	Il prodotto è impostato alla modalità anti-ghiaccio alle normali temperature.	Impostare il prodotto alla normale modalità di funzionamento. Lasciare che il motore si raffreddi prima di riavviare il dispositivo.
Il motore non si avvierà o non raggiungerà la massima velocità.	Il prodotto è impostato alla modalità anti-ghiaccio alle normali temperature.	Impostare il prodotto alla normale modalità di funzionamento.
Il motore non raggiunge la massima velocità a basse temperature.	Prodotto impostato alla modalità normale a basse temperature.	Regolare il prodotto sulla modalità anti-ghiaccio.

PROBLEEMPLOSSEN

PROBLEEM	Mogelijke oorzaak	OPLOSSING
Motor wil niet starten. (Zorg ervoor dat de contactschakelaar in de start-stand "I" staat.)	Geen vonken.	De bougie kan gebarsten of beschadigd zijn. Vervang de oude bougie door een nieuwe en probeer opnieuw te starten. Als de motor niet start, brengt u het product terug naar een Ryobi serviceverdelers voor verdere controle.
	Verzopen motor.	Terwijl de contactschakelaar uitgeschakeld is, verwijdert u de bougie. Plaats de chokehendel in de stand draaien (volledig ingedrukt) en trek 15 tot 20 maal aan het startkoord. Hierdoor wordt overtollige brandstof uit de motor verwijderd. Reinig de bougie en plaats deze terug. Stel de contactschakelaar in de stand draaien. Knijp de brandstofbalg 10 maal in. Trek 3 keer aan de startkoord terwijl de chokehendel in de stand "RUN" staat. Als de motor niet start, plaats u de chokehendel in de chokestand en herhaalt u de normale startprocedure. Als de motor nog steeds niet start, herhaalt u de procedure met een nieuwe bougie.
Motor start, maar het toerental kan niet goed worden opgevoerd.	Carburateur heeft een "L"-aanpassing (lage sproeier) nodig.	Neem contact op met een onderhoudsdealer voor het afstellen van de carburateur.
Motor start maar loopt niet goed op hoge snelheid.	Carburateur heeft een "H"-aanpassing (hoge sproeier) nodig.	Neem contact op met een onderhoudsdealer voor het afstellen van de carburateur.
Motor haalt maximum toerental niet en/of ontwikkelt zeer veel rook.	Controleer het oliebrandstofmengsel.	Gebruik verse brandstof en de juiste tweetaktolie mengselverhouding.
	Luchtfilter vuil.	Reinig de luchtfilter.
	Vonkenvangerscherm vuil.	Reinig het vonkenvangerscherm.
	Carburateur heeft een "H"-aanpassing (hoge sproeier) nodig.	Neem contact op met een onderhoudsdealer voor het afstellen van de carburateur.
Motor start, loopt en versnelt, maar loopt niet stationair.	Carburateur moet worden aangepast.	Neem contact op met een onderhoudsdealer voor het afstellen van de carburateur.
Motor start en draait langzaam, maar ketting draait niet.	Kettingolietank leeg.	Olietank moet altijd worden bijgevuld wanneer de brandstoftank wordt bijgevuld.
	Controleer of de kettingspanning niet te hoog is.	Span de ketting aan.
	Controleer de werking van het smeersysteem.	Laat de motor gedurende 30 tot 45 seconden op half vermogen draaien. Stop de zaag en controleer of er olie op het zaagblad is gekomen. Als er wel olie aanwezig is, kan het zijn dat de ketting bot is of het zaagblad beschadigd is. Neem contact op met een onderhoudsdealer als er geen olie op het zaagblad is.
Zaagblad en ketting worden heet en roken.	Kettingrem ingeschakeld.	Ontkoppel de kettingrem.
	Kettingspanning te hoog.	Span de ketting aan.
	Controleer zaagblad en ketting op schade.	Controleer het zaagblad en de ketting op schade.
De motor valt tijdens normaal gebruik stil en kan niet worden heropgestart.	Het product is in de antivriesmodus ingesteld, maar nu zijn er normale temperaturen.	Stel het product in de normale bedrijfsmodus in. Laat de motor afkoelen voor u opnieuw opstart.
De motor wil niet starten of bereikt de volle snelheid niet.	Het product is in de antivriesmodus ingesteld, maar nu zijn er normale temperaturen.	Stel het product in de normale bedrijfsmodus in.
De motor bereikt de topsnelheid niet bij lage temperaturen.	Het product is bij lage snelheden in de normale modus ingesteld.	Stel het product in de antivriesmodus in.

RESOLUÇÃO DE PROBLEMAS

Problema	Possível causa	Solução
O motor não arranca. (Certifique-se de que o interruptor de ignição está na posição "I".)	Não há faísca.	A vela de ignição pode estar quebrada ou danificada. Substitua a vela de ignição antiga por uma nova e tente efectuar o arranque novamente. Caso o motor não arranque, devolva o aparelho a um agente de assistência Ryobi para outras verificações.
	O motor está afogado.	Com a ignição desligada, retire a vela de ignição. Coloque a alavanca de mistura (dispositivo auxiliar de arranque) na posição de funcionamento (totalmente empurrada para dentro) e puxe o cordão de arranque 15 a 20 vezes. Este procedimento extrairá o combustível em excesso do motor. Limpe e reinstale a vela de ignição. Coloque o interruptor de ignição na posição de funcionamento (I). Prima e solte o balão de detonação 10 vezes. Puxe a pega de arranque 3 vezes com a alavanca de controlo na posição "RUN". Se o motor não pegar, coloque a alavanca de mistura (dispositivo auxiliar de arranque) na posição totalmente actuada e repita o procedimento de arranque normal. Se, mesmo assim, o motor não pegar, repita o procedimento com uma nova vela de ignição.
O motor arranca mas não acelera adequadamente.	O carburador exige ajuste do "L" (baixo jacto).	Contacte um Serviço de assistência para ajustar o carburador.
O motor arranca mas não trabalha adequadamente a alta velocidade.	O carburador exige ajuste do "H" (alto jacto).	Contacte um Serviço de assistência para ajustar o carburador.
O motor não atinge a velocidade máxima e/ou emite demasiado fumo.	Verifique a mistura de óleo do combustível.	Utilize novo combustível e a proporção de mistura de óleo de 2 tempos correcta.
	O filtro de ar está sujo.	Limpe o filtro de ar.
	O ecrã do pára-faíscas está sujo.	Limpe o ecrã pára-faíscas.
	O carburador exige ajuste do "H" (alto jacto).	Contacte um Serviço de assistência para ajustar o carburador.
	O carburador precisa de ser ajustado.	Contacte um Serviço de assistência para ajustar o carburador.
O motor arranca, funciona e acelera, mas não funciona ao ralenti.	O reservatório do óleo da corrente está vazio.	O reservatório de óleo deve ser abastecido sempre que o depósito de combustível for abastecido.
O motor arranca e trabalha ao ralenti mas a serra não roda.	Verifique a tensão da corrente para ver se está muito apertada.	Compressão na correia.
	Verifique o funcionamento do oleador.	Deixe o motor trabalhar a meio regime durante 30 a 45 segundos. Pare a serra de corrente e verifique se há óleo a pingar da barra-guia. Se houver óleo, a corrente pode estar embotada ou a barra-guia danificada. Se não houver óleo, na barra-guia, contacte um Centro Serviço de Assistência.
	Travão da corrente actuado.	Solte o travão da corrente.
A barra e a corrente estão quentes e a deitar fumo.	Tensão da corrente excessiva.	Compressão na correia.
	Verifique a barra-guia e a corrente em relação a danos.	Inspeccione a barra-guia e a corrente em relação a danos.
	Produto configurado em modo anticongelante a temperaturas normais.	Ajuste o produto para modo de funcionamento normal. Deixe que o motor arrefeça antes de voltar a arrancar.
O motor para durante o funcionamento normal e não reinicia.	Produto configurado em modo anticongelante a temperaturas normais.	Ajuste o produto para modo de funcionamento normal.
O motor não arranca ou não alcança a máxima velocidade.	Produto configurado em modo normal a baixas temperaturas.	Ajuste o produto para modo anticongelante.
O motor não alcança a máxima velocidade a baixas temperaturas.	Produto configurado em modo normal a baixas temperaturas.	Ajuste o produto para modo anticongelante.

FEJLFINDER

Problem	Mulig årsag	Løsning
Motoren starter ikke (Kontrollér, at tændingskontakten står på "I").	Ingen gnist i tændrøret.	Tændrøret kan revne eller blive ødelagt. Udskift det gamle tændrør med et nyt, og prøv at starte igen. Hvis motoren ikke vil starte, indleveres produktet til en Ryobi-serviceforhandler for yderligere kontrol.
	Motoren er "druknnet".	Sæt tændingskontakten på "O" og tag tændrøret ud. Skub chokergrebet helt ind (ingen choke) og træk startsnoren ud 15 - 20 gange. Herved bliver motoren tømt for overskydende benzin. Rens tændrøret og skrudet i igen. Sæt tændingskontakten på (I). Tryk primeren ind og slip den igen - i alt 10 gange. Træk yderligere tre gange i startsnoren med chokergrebet inde (ingen choke). Træk 3 gange i starthåndtaget, mens choker-håndtaget er i pos. "RUN" (=kør). Start derefter motoren på den normale måde. Starter motoren stadig ikke, prøv da at udskifte tændrøret med et nyt.
Motoren starter men kan ikke tage gassen.	Karburatorens "L" blandingskrue trænger til justering.	Lad et aut. serviceværksted justere karburatoren.
Motoren starter men går ikke ordentligt på fuld gas.	Karburatorens "H" blandingskrue trænger til justering.	Lad et aut. serviceværksted justere karburatoren.
Motoren kan ikke komme helt op i omdrejninger og ryger for meget.	Kontrollér benzin-/olieblandingen.	Brug frisk benzin og den korrekte blanding af benzin og 2-taktsolie.
	Luftfilteret er tilstoppet.	Rengør luft filteret.
	Gnistfangeren er tilsnævset.	Rens gnistfangeren.
	Karburatorens "H" blandingskrue trænger til justering.	Lad et aut. serviceværksted justere karburatoren.
Motoren starter og tager gassen, men kan ikke gå i tomgang.	Karburatoren trænger til justering.	Lad et aut. serviceværksted justere karburatoren.
	Kædeolie-beholderen er tom.	Olietanken bør fyldes op for hver benzinoptankning.
Motoren starter og går i tomgang, men kæden roterer ikke.	Kontrollér, om kæden er for stram.	Stram kæden.
	Afprøv smøreanordningen.	Lad motoren gå på halv gas i 30-45 sekunder. Stands motoren, og se efter, om der drypper olie fra sværdet. Hvis der drypper olie, kan kæden være sløv eller sværdet beskadiget. Hvis der ikke er olie på sværdet, skal motorsaven undersøges på et autoriseret serviceværksted.
	Kædebremseren er aktiveret.	Deaktivér kædebremseren.
	Kæden er for stram.	Stram kæden.
Sværd og kæde bliver for varme og afgiver røg.	Kontrollér sværd og kæde for skader.	Kontrollér sværd og kæde for skader.
Motoren dør under normal drift og vil ikke genstarte.	Produkt indstillet til antifrost-modus ved normal driftstemperatur.	Indstil produktet til normal driftsmåde (modus). Lad motoren køle af, inden den genstartes.
Motoren vil ikke starte eller kan ikke køre med tophastighed.	Produkt indstillet til antifrost-modus ved normal driftstemperatur.	Indstil produktet til normal driftsmåde (modus).
Motoren kan ikke køre med tophastighed i lave temperaturer.	Produkt indstillet til normal modus ved lav driftstemperatur.	Indstil produktet til antifrost-modus.

Svenska

FELSÖKNING

Problem	Möjlig orsak	Lösning
Motorn startar inte (Kontrollera att tändningsomkopplaren är i startläge "I").	Ingen gnista.	Tändstiftet kan vara spräckt eller skadat på något annat sätt. Byt ut det gamla tändstiftet mot ett nytt och prova att starta igen. Om motorn fortfarande inte startar ska du lämna in produkten till ett Ryobi servicecenter för att få den besiktigad.
	Övermättad motor.	Slå av tändningen och avlägsna tändstiftet. Flytta chokespaken till körläge (helt intryckt) och dra i startsnöret 15 - 20 gånger. Detta kommer att tömma ut överflödigt bränsle från motorn. Rengör och sätt in tändstiftet på nytt. Ställ tändningsomkopplaren till körläge (I). Tryck in och släpp upp primergummit 10 gånger. Dra i startsnöret 3 gånger med chokespaken i läge "RUN". Om motorn inte startar flyttar du chokespaken till choke och försöker starta som vanligt igen. Upprepa med ett nytt tändstift, om motorn inte startar.
Motorn startar men accelererar inte på ett korrekt sätt.	Förgasaren måste justeras till "L" (Låg jet).	Kontakta service för justering v förgasaren.
Motorn startar men fungerar inte som den ska vid hög hastighet.	Förgasaren måste justeras till "H" (Hög jet).	Kontakta service för justering v förgasaren.
Motorn når inte full hastighet och avger stora mängder rök	Kontrollera oljebränsleblandningen.	Använd nytt bränsle och korrekt blandning med tvåtaktsolja.
	Luftfiltret är smutsigt.	Rengör luftfiltret.
	Gnistfångaren är smutsig.	Rengör gnistfångaren.
	Förgasaren måste justeras till "H" (Hög jet).	Kontakta service för justering v förgasaren.
Motorn startar, körs och accelererar men går inte på tomgång.	Förgasaren behöver ställas in.	Kontakta service för justering v förgasaren.
	Kedjeoljetanken är tom.	Oljetanken skall fyllas varje gång bränsletanken fylls på.
	Kontrollera att kedjan inte är för hårt åtspänd.	Kedjespänning.
	Kontrollera smörjarens funktion.	Låt motorn gå på medelvarvtal i 30 - 45 sekunde. Stanna sågen och kontrollera om olja rinner från svärdet. Om det finns olja, kan kedjan vara slö eller svärdet skadat. Om det inte finns olja på svärdet, kontakta contactez un ett servicecenter.
Svärd och kedja blir heta och ryker vid drift.	Kedjebromen är på.	Koppla från kedjebromsen.
	Kedjan är för hårt åtspänd.	Kedjespänning.
	Kontrollera om det finns skador på svärd eller kedja.	Kontrollera om det finns skador på svärd eller kedja.
Motorn stannar under normal användning och startar inte på nytt.	Produkten inställd i antifrys-läge vid normala temperaturer.	Sätt produkten i normalt driftsläge. Låt motorn svalna innan den startas på nytt.
Motorn startar inte eller når inte full hastighet.	Produkten inställd i antifrys-läge vid normala temperaturer.	Sätt produkten i normalt driftsläge.
Motorn når inte full hastighet i låga temperaturer.	Produkten inställd i normalläge i låga temperaturer.	Sätt produkten i antifrys-läge.

VIANHAKU

Ongelma	Mahdollinen syy	Ratkaisu
Moottori ei käynnisty (Varmista, että virtalukko on käynnistysasennossa "I".)	Ei kipinää.	Sytytystulppa voi olla lohjennut tai vioittunut. Vaihda vanha sytytystulppa uuteen ja yritä käynnistää laite uudelleen. Jos moottori ei käynnisty, palauta tuote tarkistettavaksi Ryobi-huoltoon.
	Moottori on saanut liikaa polttoainetta.	Virtalukon ollessa pois päältä, poista sytytystulppa. Siirrä rikastinvipu käytä-asentoon (työnnetty kokonaan sisään) ja vedä käynnistysnarusta 15–20 kertaa. Tämä poistaa liian polttoaineen moottorista. Puhdista ja asenna sytytystulppa uudelleen. Aseta virtalukko käytä (I) - asentoon. Paina ryyppytinnuppia ja vapauta se täysin 10 kertaa. Vedä käynnistyskahvaa kolmasti rikastinvivun ollessa "RUN"-asennossa.-(no "3") Jos moottori ei käynnisty, siirrä rikastinvipu rikastin-kohtaan ja toista normaali käynnistysmenetelmä. Jos moottori ei vielä käynnisty, toista toimenpide uudella sytytystulppalla.
Moottori käynnistyy mutta kiihdy oikein.	Kaasutin tarvitsee "L" (pieni suihku) -säädön.	Pyydä kaasuttimen säätöä palveluliikkeestä.
Moottori käynnistyy mutta ei käy oikein suurella nopeudella.	Kaasutin tarvitsee "H" (suuri suihku) -säädön.	Pyydä kaasuttimen säätöä palveluliikkeestä.
Moottori ei pääse täyteen nopeuteen ja/tai savuttaa normaalia enemmän.	Tarkista öljypolttaineseos.	Käytä tuoretta polttoainetta ja oikeaa 2-tahtimoottoriöljyn seosta.
	Ilmansuodatin on likainen.	Puhdista ilmansuodatin.
	Kipinöitä pidättävä verkko on likainen.	Puhdista kipinöitä pidättävä verkko.
	Kaasutin tarvitsee "H" (suuri suihku) -säädön.	Pyydä kaasuttimen säätöä palveluliikkeestä.
	Kaasutin tarvitsee säätöä.	Pyydä kaasuttimen säätöä palveluliikkeestä.
Moottori käynnistyy, käy ja kiihtyy, mutta ei käy tyhjäkäynnillä.	Ketjuöljyn säiliö on tyhjä.	Öljysäiliö on täytettävä joka kerta, kun polttoainesäiliö täytetään.
Moottori käynnistyy ja käy, mutta ketju ei pyöri.	Tarkista, onko ketju liian kireällä.	Kiristä ketju.
	Tarkista öljylaitteen toiminto.	Käytä moottoria puolikaasulla 30 – 45 sekuntia. Pysäytä saha ja tarkista onko terälevyillä öljyä. Jos öljyä on, ketju voi olla tylsä tai terälevy vahingoittunut. Jos terälevyillä ei ole öljyä, ota yhteyttä valtuutettuun huoltoliikkeeseen.
Terä ja ketju käyvät kuumina ja savuavat.	Ketjujarru on päällä.	Vapauta ketjujarru.
	Ketjun jännite on liian kireä.	Kiristä ketju.
	Tarkista terälevy ja ketju vaurioitumisen varalta.	Tarkasta ohjausterä ja ketju vaurioitumisen varalta.
Moottori sammuu normaalikäytössä eikä käynnisty uudelleen.	Tuote asetettu jäänestotilaan normaalilämpötilassa.	Aseta tuote normaalitilaan. Anna moottorin jäähtyä ennen sen käynnistämistä uudelleen.
Moottori ei käynnisty tai saavuta täyttä nopeutta.	Tuote asetettu jäänestotilaan normaalilämpötilassa.	Aseta tuote normaalitilaan.
Moottori ei saavuta täyttä nopeutta matalassa lämpötilassa.	Tuote asetettu normaalitilaan matalassa lämpötilassa.	Aseta tuote jäänestotilaan.

FEILSØKING

Problem	Mulig årsak	Løsning
Motoren vil ikke starte (Se etter at tenningsbryteren startstilling "I".)	Ingen gnist.	Tennpluggen kan være sprukket eller ødelagt. Erstatt den gamle tennpluggen med en ny og forsøk å starte igjen. Hvis motoren fortsatt ikke starter, returner produktet til en Ryobi-forhandler for ytterligere undersøkelser.
	Overflødet motor.	Slå av tenningsbryteren og ta ut pluggen. Skyv chokehendelen til kjørestilling (helt innskjøvet) og dra 15 til 20 ganger i startsnoren. Dette vil fjerne overflødig brennstoff fra motoren. Rens og monter pluggen igjen. Slå på tenningsbryteren til kjørestilling (I). Klem inn og slipp pumpe blåsen 10 ganger. Dra i starterhåndtaket 3 ganger med chokespaken i "RUN" posisjon. Hvis motoren ikke starter, skyver du chokehendelen til "choke" og gjentar en normal startprosedyre. Hvis motoren fremdeles ikke vil starte, gjentar du prosedyren med en ny tennplugg.
Motoren starter, men vil ikke akselerere.	"L" (Low jet) på for gasseren må justeres.	Kontakt et Servisenter for justering av forgasseren.
Motoren starter, men vil ikke gå fint på full fart.	"H" (High jet) på for gasseren må justeres.	Kontakt et Servisenter for justering av forgasseren.
Motoren når ikke full fart, og ryker mer enn vanlig.	Kontroller oljeblandingen i brennstoffet.	Bruk nylig blandet brennstoff og korrekt blandingsforhold med totaktsolje.
	Luftfilteret er urent.	Rengjøring av luftfilteret.
	Gnistfangeren er skitten.	Reingjør gnistfangeren.
	"H" (High jet) på for gasseren må justeres.	Kontakt et Servisenter for justering av forgasseren.
Motoren starter og kjører, men vil ikke gå på tomgang.	Forgasseren må justeres.	Kontakt et Servisenter for justering av forgasseren.
	Tanken for kjedeolje er tom.	Oljetanken bør fylles hver gang brennstofftanken fylles.
Motoren starter og går i tomgang, men kjeden roterer ikke.	Kontroller at ikke kjeden er strammet for hardt.	Stramming av kjeden
	Kontroller smørefunksjonen.	Kjør motoren i 30 til 45 sekunder på halv gass. Stopp motorsagen og sjekk om det drypper olje fra sverdet. Hvis det er olje tilstede, kan kjeden være sløv eller sverdet skadet. Hvis det ikke er olje på sverdet, må du kontakte et servisenter.
	Kjedebremsen er aktivert.	Frigjøringen av kjedebremsen
	Kjeden er strammet for hardt.	Stramming av kjeden
Sverd og kjede går seg varme og ryker.	Kontroller sverd og kjede for skader.	Inspiser sverd og kjede for skader.
	Motoren slår seg av under vanlig bruk og lar seg ikke starte igjen.	Produktet er satt til antifrost driftsmodus ved normal temperatur.
Motoren vil ikke starte eller når ikke maksimal hastighet.	Produktet er satt til antifrost driftsmodus ved normal temperatur.	Sett produktet til normal driftsmodus.
Motoren når ikke toppfart ved lave temperaturer.	Produktet er satt til normal driftsmodus ved lave temperaturer.	Sett produktet til antifrost driftsmodus.

ПОИСК НЕИСПРАВНОСТЕЙ

Проблема	Возможные причины	Решение
Мотор не запускается (Проверьте, чтобы выключатель стоял в положении "I").	Нет искры.	Свеча зажигания может быть треснута или повреждена. Замените свечу зажигания на новую и попытайтесь запустить вновь. Если двигатель все же не запускается, обратитесь в гарантийное обслуживание Ryobi для дальнейшей проверки.
	Мотор "захлебнулся".	Поставьте выключатель в положение "O" и выверните свечу. Задвиньте до конца рычаг запуска и дерните 15 - 20 раз за 1У"ку запуска. Это освободит мотор от лишнего топлива. Прочистите свечу и установите ее на место. Поставьте выключатель в положение (I). Подкачайте подсос 10 раз. 3 раза дерните ручку стартера. Рычажок дросселя должен быть в рабочем положении (RUN). Если мотор не заводится, поставьте рычаг запуска в полностью открытое положение и запускайте мотор как обычно. Если и после этого мотор не завелся, повторите все эти операции с новой свечой.
Мотор заводится но не разгоняется.	Винт "L" (малые обороты) требует регулировки.	Поучите регулировку специалисту из Центра технического обслуживания.
Мотор заводится но плохо работает на полной скорости.	Винт "H" (большие обороты) требует регулировки.	Поучите регулировку специалисту из Центра технического обслуживания.
Мотор не разгоняется до Полной скорости, и из него идет много дыма.	Проверьте качество топливной смеси.	Используйте новую смесь с правильной пропорцией масла для двухтактных двигателей.
	Воздушный фильтр засорился.	Чистить воздушный фильтр.
	Сетка искроотражателя засорилась.	Прочистите сетку искроотражателя.
	Винт "H" (большие обороты) требует регулировки.	Поучите регулировку специалисту из Центра технического обслуживания.
Мотор заводится и разгоняется, но не держит режим малых оборотов. Мотор заводится и работает на малых оборотах, но цепь не вращается.	Необходимо отрегулировать карбюратор.	Поучите регулировку специалисту из Центра технического обслуживания.
	Масляный бак для цепи пуст.	Заправляйте масляный бак одновременно с топливным.
	Цепь слишком сильно натянута.	Натяните цепь.
	Проверьте работу масленки.	Дайте мотору поработать на средней скорости 30 - 45 секунд. Остановите пилу и проверьте стекание масла с шины. Если на ней есть масло, цепь может затупиться, а шина повредиться. Если на шине нет масла, обратитесь в Центр технического обслуживания Ryobi. Шина и цепь раскаляются и выделяют дым.
Тормоз цепи заблокирован.	Отпустите тормоз цепи.	Отключите тормоз пильной цепи.
	Цепь слишком сильно натянута.	Натяните цепь.
	Проверьте работе состояние шины и цепи.	Проверьте рабочее состояние шины и цепи.
Двигатель глохнет в обычном режиме и не запускается.	На изделии выбран режим подогрева при нормальной температуре.	Выберите нормальный рабочий режим. Дайте двигателю остыть перед повторным запуском.
Двигатель не запустится или не достигнет полной мощности.	На изделии выбран режим подогрева при нормальной температуре.	Выберите нормальный рабочий режим.
Двигатель не достигает полной мощности при низких температурах.	На изделии выбран нормальный рабочий режим при низких температурах.	Выберите режим подогрева.

ROZWIĄZYWANIE PROBLEMÓW

Problem	Możliwa przyczyna	Rozwiązanie
Silnik nie startuje (Upewnijcie się że wyłącznik jest włączony "I").	Brak iskry.	Świeca zapłonowa może być pęknięta lub uszkodzona. Wymienić świecę na nową i ponownie spróbować rozruchu urządzenia. Jeśli nadal nie można uruchomić silnika, urządzenie należy oddać do punktu serwisowego firmy Ryobi do sprawdzenia.
	Silnik jest zalany.	Zdejmijcie świecę zapłonową po ustawieniu wyłącznika na zatrzymanie. Ustawcie dźwignię startera na pozycję pracy (zupełnie wciśniętą) i pociągnijcie 15 do 20 razy za uchwyt rozrusznika. Spowoduje to usunięcie nadmiaru paliwa z silnika. Wyczyścić i założyć na miejsce świecę zapłonową. Ustawcie wyłącznik na pozycję działanie (I). Naciśnąć 10 razy pompkę paliwową. Pociągnij uchwyt rozrusznika 3 razy, przy dźwigni ssania ustawionej w położeniu „RUN”. Jeżeli silnik nie startuje, ustawcie dźwignię startera w pozycji startera i zastartujcie normalnie. Jeżeli mimo to silnik nie daje się uruchomić, to należy powtórzyć powyższą procedurę, lecz przy założonej nowej świecy.
Silnik się uruchamia lecz nie przyspiesza należycie.	Śruba "L" (niskie obroty) wymaga ustawienia.	Skontaktujcie się z Autoryzowanym Serwisowym celem wykonania regulacji.
Silnik się uruchamia lecz nie funkcjonuje na pełnym gazie.	Śruba "H" (wysokie obroty) wymaga ustawienia.	Skontaktujcie się z Autoryzowanym Serwisowym celem wykonania regulacji.
Silnik nie uzyskuje pełnych obrotów i/lub wydziela zbyt dużo dymu.	Sprawdźcie mieszankę paliwową.	Używać świeżego paliwa i poprawić stosunek mieszanki ilości oleju do silników 2-suwowych /ilości paliwa.
	Brudny filtr powietrza.	Oczyścić filtr powietrza.
	Siatka iskrochwytu jest brudna.	Wyczyścić siatkę iskrochwytu.
Silnik zapala, pracuje i przyspiesza, ale gaśnie przy wolnych obrotach.	Śruba "H" (wysokie obroty) wymaga ustawienia.	Skontaktujcie się z Autoryzowanym Serwisowym celem wykonania regulacji.
	Gaźnik wymaga regulacji.	Skontaktujcie się z Autoryzowanym Serwisowym celem wykonania regulacji.
	Zbiornik na olej do łańcucha jest pusty.	Zbiornik oleju powinien być napełniany w tym samym czasie co zbiornik paliwa.
	Łańcuch jest zbyt mocno napięty.	Wyregulować napięcie łańcucha.
Silnik zapala i pracuje na wolnych obrotach, ale łańcuch się nie porusza.	Skontrolujcie funkcjonowanie smarownicy.	Dajcie silnikowi pracować na "pół gazu" przez 30 do 45 sekund. Zatrzymajcie piłę łańcuchową i skontrolujcie wypływ oleju z prowadnicy łańcucha. Jeżeli jest olej, łańcuch może być stępiony lub prowadnica jest uszkodzona. Jeżeli nie ma oleju na prowadnicy łańcucha, skontaktujcie się z Autoryzowanym Punktem Serwisowym.
	Hamulec łańcucha jest włączony.	Wyłączyć hamulec łańcucha.
	Łańcuch jest zbyt mocno napięty.	Wyregulować napięcie łańcucha.
Prowadnica i łańcuch nagrzewają się i wydzielają dym.	Sprawdźcie stan prowadnicy łańcucha i łańcucha.	Sprawdźcie czy prowadnica łańcucha i łańcuch nie są uszkodzone.
Silnik gaśnie podczas normalnej pracy i nie można go ponownie uruchomić.	Produkt w trybie ochrony przed zamarzaniem w normalnej temperaturze.	Ustawić produkt w normalnym trybie pracy. Przed ponownym uruchomieniem należy odczekać, aż silnik ostygnie.
	Produkt w trybie ochrony przed zamarzaniem w normalnej temperaturze.	Ustawić produkt w normalnym trybie pracy.
	Produkt ustawiony w trybie normalnym w niskiej temperaturze.	Ustawić tryb ochrony przez zamarzaniem produktu.
Silnik nie uruchomi się lub nie osiągnie pełnej prędkości roboczej.		
Silnik nie osiąga pełnej prędkości w niskich temperaturach.		

ŘEŠENÍ PROBLÉMŮ

Problém	Možná příčina	Řešení
Nelze spustit motor (Zkontrolujte, zda je spouštěč narádi v poloze "1").	Chybi jiskření.	Zapalovací svíčka by se měla zlomit nebo zničit. Vyměňte starou zapalovací svíčku za novou a pokuste se spustit. Pokud se motor nespustí zanechte výrobek servisnímu prodejci Ryobi pro kontrolu.
	Motor je zaplaven palivem.	Přepněte vypínač do polohy vypnuto a vyndejte svíčku. Nastavte páčku startéru do startovací polohy (zcela přitlačte) a zatáhněte 15 až 20krát za rukojeť hnací části spouštěče. Tento postup má odčerpát z motoru přebytečné palivo. Vycistěte zapalovací svíčku a vraťte ji na místo. Přepněte spínač do polohy zapnuto (I). Stiskněte 10 krát hruškový balónek. 3-krát zatáhněte za rukojeť startéru s pákou sytiče v poloze „RUN“. Pokud motor nenaskočí, přepněte páčku startéru do startovací polohy a nastartujte motor normálním způsobem. Pokud se i přes provedené úkony nepodaří motor nastartovat, proveďte celý postup ještě jednou s novou zapalovací svíčkou.
Motor nastartuje, ale nelze zvýšit otáčky motoru.	Šroub "L" (pro nastavení nízkých otáček) je nutné seřadit.	Obráťte se na některé ze servisních středisek a požádejte o odborné seřízení.
Motor nastartuje normálně, ale pak nedosáhne maximálních otáček.	Šroub "H" (pro nastavení vysokých otáček) je nutné seřadit.	Obráťte se na některé ze servisních středisek a požádejte o odborné seřízení.
Motor nedosáhne svého plného režimu a/nebo se z něho kouří.	Zkontrolujte palivovou směs.	Použijte čerstvě namíchanou palivovou směs obsahující správný poměr oleje pro dvoudobé motory.
	Je znečištěný vzduchový filtr.	Vyčistěte vzduchový filtr.
	Je znečištěná ochranná mřížka proti jiskření.	Vyčistěte ochrannou mřížku proti jiskření.
Nastartování, chod a zrychlení motoru je normální, ale nelze udržet volnoběh. Motor nastartuje, volnoběh funguje, ale řetěz se neotáčí.	Šroub "H" (pro nastavení vysokých otáček) je nutné seřadit.	Obráťte se na některé ze servisních středisek a požádejte o odborné seřízení.
	Je třeba seřadit karburátor.	Obráťte se na některé ze servisních středisek a požádejte o odborné seřízení.
	Olejevá nádrž řetězu je prázdná.	Olejovou nádrž je třeba doplnit při každém plnění palivové nádrže.
	Řetěz je příliš napnutý.	Napněte řetěz.
Vodící lišta a řetěz se zahřívají a uniká kouř.	Zkontrolujte, zda funguje olejová nádržka.	Nechte motor běžet na poloviční režim po dobu cca 30 až 40 sekund. Vypněte řetězovou pilu a zkontrolujte, zda neteče olej z vodící lišty. Při úniku oleje může dojít ke ztupení řetězu nebo poškození lišty. Pokud na vodící liště chybí olej, obraťte se na některé ze servisních středisek.
	Je aktivovaná brzda řetězu.	Uvolněte brzdou řetězu.
	Řetěz je příliš napnutý.	Napněte řetěz.
Motor se během normálního provozu vypíná a znovu se nespouští. Motor nelze spustit nebo nedosáhne plné rychlosti. Motor nedosahuje plné rychlosti při nízkých teplotách.	Zkontrolujte stav vodící lišty a řetězu.	Zkontrolujte, zda vodící lišta a řetěz nejsou poškozené.
	Výrobek nastaven do režimu proti zamrznutí při normálních teplotách.	Nastavte výrobek do normálního provozního režimu. Nechte motor před opětovným spuštěním vychladnout.
	Výrobek nastaven do režimu proti zamrznutí při normálních teplotách.	Nastavte výrobek do normálního provozního režimu.
Výrobek nastaven do normálního režimu při nízkých teplotách.	Nastavte výrobek do režimu proti zamrznutí.	

HIBAELHÁRÍTÁS

Probléma	Lehetséges ok	Megoldás
A motor nem indul be (Bizonyosodjon meg arról, hogy a kapcsológomb be "I" állásban van-e.)	Nincs szikra.	A gyújtógyertya megrepedhetett vagy megsérülhetett. Cserélje ki a régi gyújtógyertyát egy újra, és próbálja meg ismét. Ha a motor még most sem indulna be, vigye vissza a terméket egy Ryobi szervizbe további ellenőrzésre.
	A motor lefullad.	Vegye ki a gyertyát, miután a kapcsoló gombot ki állásba helyezte. Nyomja az indítókart be állásba (teljesen benyomva) és húzza meg a berántó-zsinórt 15 - 20-szor. Ez lehetővé teszi, hogy a motorból kijöjjon a felesleges üzemanyag. Tisztítsa meg a gyertyát és tegye vissza a helyére. Helyezze a kapcsológombot be (I) állásba. Nyomja meg az indító befecskendező pumpát 10-szer. Húzza meg 3-szor az indítófogantyút úgy, hogy a fojtókar „RUN” (MŰKÖDÉS) állásban legyen. Ha a motor nem indul be, helyezze az indítókart indítás pozícióba és indítson normál módon. Amennyiben a motor még így sem indul be, ismételje meg a leírtakat egy új gyertyával.
A motor beindul, de nem gyorsul fel megfelelően.	Az "L" csavart (alacsony fordulatszám) be kell állítani.	Forduljon egy hivatalos Szerviz Központoz a beállítás elvégzésével.
A motor beindul, de nem működik megfelelőképpen a teljes fordulatszámom.	A "H" csavart (magas fordulatszám) be kell állítani.	Forduljon egy hivatalos Szerviz Központoz a beállítás elvégzésével.
A motor nem éri el a teljes fordulatszámát és/vagy túlzottan füstöl.	Ellenőrizze az üzemanyag keveréket.	Használjon frissen kevert üzemanyagot, melyben a megfelelő arányban van a kétütemű olaj.
	A légszűrő elszennyeződött.	Tisztítsa meg a levegőszűrőt.
	A szikrafogó rács szennyezett.	Tisztítsa meg a szikrafogó rácsot.
	A "H" csavart (magas fordulatszám) be kell állítani.	Forduljon egy hivatalos Szerviz Központoz a beállítás elvégzésével.
A motor beindul, forog és gyorsul, de nem esik vissza a fordulatszám alapjára.	Be kell állítani a porlasztót.	Forduljon egy hivatalos Szerviz Központoz a beállítás elvégzésével.
A motor beindul és alapjáraton működik, de a lánc nem mozdul.	A láncolaj tartály üres.	Az olajtartályt az üzemanyagtartállyal egyidejűleg kell feltölteni.
	A lánc túl feszes.	Feszítse meg a láncot.
	Ellenőrizze az zsirozó működését.	Hagyja a motort közepes fordulatszámom 30 - 45 másodpercig járni. Állítsa le a láncfűrész és ellenőrizze az olaj folyását a láncvezetőn. Ha olajat talál, a lánc lehet hogy tompa, vagy a láncvezető sérült. Ha nincs olaj a láncvezetőn, forduljon egy hivatalos Szerviz Központoz.
A láncvezető és a lánc melegszik és füstöl.	A láncfék le van nyomva.	Oldja ki a láncfékot.
	A lánc túl feszes.	Feszítse meg a láncot.
	Ellenőrizze a láncvezető és a lánc állapotát.	Ellenőrizze, hogy a láncvezető és a lánc nem sérültek-e.
A motor leáll normál működés során, és nem fog beindulni.	A termék fagyásgátló módra van állítva normál hőmérsékleten.	Állítsa a terméket normál működési módba. Újraindítás előtt hagyja lehűlni a motort.
A motor nem indul be vagy nem éri el a teljes fordulatszámot.	A termék fagyásgátló módra van állítva normál hőmérsékleten.	Állítsa a terméket normál működési módba.
A motor nem éri el a teljes fordulatszámot alacsony hőmérsékleten.	A termék normál módra van állítva alacsony hőmérsékleten.	Állítsa a terméket fagyásgátló módba.

REMEDIEREA DEFECTIUNILOR

Problemă	Cauză posibilă	Soluție
Motorul nu pornește (Asigurați-vă că întrerupătorul este în poziția pornit "I").	Nu există scânteie la bujie.	Bujia ar putea fi fisurată sau avariata. Înlocuiți vechea bujie cu una nouă și încercați să porniți din nou. Dacă motorul continuă să nu poamească, returnați produsul unui centru de service Ryobi pentru verificări amănunțite.
	Motorul este înecat.	Scoateți bujia după ce ați pus întrerupătorul pe poziția oprit. Împingeți mânerul șocului în poziția de mers (împins până la capăt) și trageți de 15 - 20 de ori de mânerul demarorului. Acest lucru ar trebui să elimine excedentul de carburant din motor. Curățați și montați din nou bujia. Puneți întrerupătorul pe poziția pornit (I). Apăsăți de 10 ori pompa de amorsare. Trageți de mânerul starterului de 3 ori cu maneta șocului în poziția „RUN”. Dacă motorul nu pornește, puneți mânerul șocului în poziția de șoc și porniți normal. Dacă nici acum nu pornește motorul, repetați toate aceste etape cu o bujie nouă.
Motorul pornește dar nu accelerează corect.	Șurubul "L" (regim redus) trebuie să fie reglat.	Contactați un Centru Service Agreat pentru a efectua reglajul.
Motorul pornește dar nu funcționează corect la regim maxim.	Șurubul "H" (regim maxim) trebuie să fie reglat.	Contactați un Centru Service Agreat pentru a efectua reglajul.
Motorul nu atinge regimul maxim și/sau degajă fum în exces.	Verificați amestecul de carburant.	Utilizați un carburant amestecat recent conținând proporția corectă de ulei în 2 timpi.
	Filtrul de aer este murdar.	Curățați filtrul de aer.
	Grila parascânteii este murdară.	Curățați grila parascânteii.
	Șurubul "H" (regim maxim) trebuie să fie reglat.	Contactați un Centru Service Agreat pentru a efectua reglajul.
	Trbuie să reglați carburatorul.	Contactați un Centru Service Agreat pentru a efectua reglajul.
Motorul pornește, merge și accelerează dar se oprește în ralanti. Motorul pornește și merge în ralanti, dar lanțul nu se învârtă.	Rezervorul de ulei pentru lanț este gol.	Rezervorul de ulei trebuie umplut în același timp cu rezervorul de carburant.
	Lanțul este prea întins.	Tensionarea lanțului
	Controlați funcționarea picătorului de ulei al lanțului.	Lăsați motorul să meargă la regim mediu timp de 30 până la 45 de secunde. Opiți ferăstrăul cu lanț și controlați scurgerea de ulei de pe ghidul de lanț. Dacă există ulei, lanțul poate fi tocit sau ghidul este deteriorat. Dacă nu este ulei pe ghidul de lanț, contactați un Centru Service Agreat.
	Frâna lanțului este activată.	Decuplați frâna lanțului.
Ghidul și lanțul se încălzesc și scot fum.	Lanțul este prea întins.	Tensionarea lanțului
	Verificați starea ghidului de lanț și a lanțului.	Verificați dacă ghidul de lanț și lanțul sunt deteriorate.
	Produsul este setat pe modul anti-îngheț la temperatură normală.	Setați produsul la modul de operare normal. Lăsați motorul să se răcească înainte de a-l reporni.
Motorul nu pornește sau nu atinge puterea maximă.	Produsul este setat pe modul anti-îngheț la temperatură normală.	Setați produsul la modul de operare normal.
Motorul nu atinge puterea maximă la temperaturi scăzute.	Produsul este setat pe modul normal la temperaturi scăzute.	Setați produsul la modul anti-îngheț.

TRAUCĒJUMMEKLĒŠANA

Gedimas	Galima priežastis	Sprendimas
Neieslēdzas dzinējs (Pārīcinieties, vai slēdzis ir ieslēguma stāvoklī "I").	Nav dzirksteles.	Aizdedzes svece, iespējams, ir ierīkājusi vai bojāta. Aizstājiet veco aizdedzes sveci ar jaunu un mēģiniet iedarbināt vēlreiz. Ja dzinējs neiedarbojas, nogādājiet izstrādājumu pie Ryobi apkopes pārstāvja tālākai pārbaudei.
	Dzinējā notikusi pārplūde.	Izņemiet sveci, bet pirms tam pagrieziet slēdzi aptures stāvoklī. Nospiediet startera sviru ieslēguma stāvoklī (nospiediet līdz galam) un 15-20 reizes paraujiet palaišanas rokturi. Tādējādi dzinējam vajadzētu tikt atbrīvotam no pārplūdušās degvielas. Izfriet sveci un atlieciet to atpakaļ. Pagrieziet slēdzi stāvoklī "ieslēgts", kas apzīmēts ar "I". Septiņas reizes saspiediet sākumzupildes pūsli. Kad droseles svira ir pozīcijā "RUN" (darboties), paveliciet aiz palaišanas roktura 3 reizes. Ja dzinējs neiedarbojas, tad pārslēdziet startera sviru startēšanas stāvoklī un iedarbiniet kā parasti. Ja dzinējs vēl arvien nav iedarbināms, atkartojiet šīs darbības ar jaunu sveci.
Dzinējs sāk strādāt, bet nepaliekina ātrumu.	Ir nepieciešams iestatīt vājākā režīma skrūvi "L".	Lūdziet, lai šo iestatījumu veic apstiprinātā darbnīcā!
Dzinējs sāk strādāt, bet negriežas pilnā ātrumā.	Ir nepieciešams iestatīt stiprākā režīma skrūvi "H".	Lūdziet, lai šo iestatījumu veic apstiprinātā darbnīcā!
Dzinējs nesasniedz pilnu jaudu, un/vai izdalās pārāk daudz dūmu.	Jāpārbauda, vai degviela pareizi sajaukta.	Izmantojiet svaigi sajauktu degvielu, kurā izmantots pareizs daudzums divtaktu dzinējiem domātas eļļas.
	Gaisa filtrs ir aizsērējis.	Izfriet gaisa filtru.
	Pretdzirksteļu režģis ir aizsērējis.	Izfriet pretdzirksteļu režģi.
	Ir nepieciešams iestatīt stiprākā režīma skrūvi "H".	Lūdziet, lai šo iestatījumu veic apstiprinātā darbnīcā!
Dzinējs sāk strādāt, griežas, bet nepārslēdzas tukšgaitā.	Ir nepieciešams iestatīt karburatoru.	Lūdziet, lai šo iestatījumu veic apstiprinātā darbnīcā!
Dzinējs sāk darboties, spēj ieslēgties tukšgaitā, bet ķēde nekustas.	Ķēdes eļļas tvertnē ir tukša.	Eļļas tvertni ir jāuzpilda tajā pašā laikā, kad degvielas tvertni.
	Ķēde ir pārāk cieši pievilka.	Nospriegojiet ķēdi.
	Pārbaudiet, vai pareizi strādā leziedējs.	Ļaujiet dzinējam darboties ar vidēju jaudu kādas 30-45 sekundes. Apstādiniet motorzāģi un pārbaudiet, vai no ķēdes vadīklas nepil eļļa. Ja atrodat tur eļļu, tad var būt notrulinājies ķēde vai sabojājusies vadītā. Ja uz ķēdes vadīklas neatrodāt eļļu, tad sazīnieties ar apstiprinātu darbnīcu!
Vadītā un ķēde uzkarst, un izdalās dūmi.	Ir ieslēgta ķēdes bremze.	Izslēdziet ķēdes bremzi.
	Ķēde ir pārāk cieši pievilka.	Nospriegojiet ķēdi.
	Pārbaudiet, kāds ir vadīklas un ķēdes stāvoklis.	Pārbaudiet, vai ķēdes vadītā un ķēde nav bojāta.
Parastas darbības laikā dzinējs apstājas un vairs neieslēdzas.	Ierīce ir iestatīta pretaišanas režīmā normālas temperatūras apstākļos.	Iestatiet ierīci parastā darbības režīmā. Pirms iedarbināšanas ļaujiet dzinējam atdzist.
Dzinējs nedarbojas vai nesasniedz pilnu ātrumu.	Ierīce ir iestatīta pretaišanas režīmā normālas temperatūras apstākļos.	Iestatiet ierīci parastā darbības režīmā.
Dzinējs nesasniedz pilnu ātrumu zemā temperatūrā.	Ierīce ir iestatīta parastajā režīmā zemas temperatūras apstākļos.	Iestatiet ierīci pretaišanas režīmā.

Lietuviškai

GEDIMŲ NUSTATYMAS

Gedimas	Galima priežastis	Sprendimas	
Variklis neįsijungia (įsitikinkite, kad jungiklis yra įjungimo padėtyje "I").	Nėra kibirkštis.	Uždegimo žvakė gali būti įskilusi ar apgadinta. Seną uždegimo žvakę pakeiskite nauja ir pabandykite užvesti dar kartą. „Jei variklis vis tiek neužsiveda, gaminį gražinkite į Ryobi techninio aptarnavimo centrą tolesniam patikrinimui.“	
	Užlietas variklis.	Perjunge jungiklį į išjungimo padėtį, nuimkite žvakę. Perjunkite droselio svirtį į įjungimo padėtį (nuspausta iki galo) ir patraukite starterio rankenėlę 15-20 kartų. Tai turi pašalinti degalų perteklių iš variklio. Išvalykite žvakę ir sugrąžinkite ją į vietą. Perjunkite jungiklį į įjungimo padėtį (I). Panaudokite pasivirimo pompytę 10 kartus. Starterio rankenėlę patraukite 3 kartus, droselio svirtį nustatę į „Run“ padėtį. Jei variklis neįsijungia, tai perjunkite droselio svirtį į uždaryto droselio padėtį ir įjunkite normaliu būdu. Jei variklis vis tiek neįsijungia, tai pakartokite šiuos skirtingus etapus su nauja žvakė.	
Variklis įsijungia, bet nepagreitėja.	Sraigtau "L" (mažo įpurškimo režimas) reikia reguliavimo.	Susisieki su firmos autorizuotu techninio aptarnavimo centru reguliavimui atlikti.	
Variklis įsijungia, bet teisingai neveikia pilnu greičiu.	Sraigtau "H" (didelio įpurškimo režimas) reikia reguliavimo.	Susisieki su firmos autorizuotu techninio aptarnavimo centru reguliavimui atlikti.	
Variklis nepasiekia savo pilno greičio ir/ar išskiria per daug dūmų.	Patikrinkite degalų mišinį.	Naudokite neseniai sumaišytus degalus, turinčius gerą alyvos 2 taktų varikliams proporciją.	
	Oro filtras purvinas.	Išvalykite oro filtrą.	
	Kibirkščių gesiklio grotelės yra purvinos.	Išvalykite kibirkščių gesiklio grotelės.	
	Sraigtau "H" (didelio įpurškimo režimas) reikia reguliavimo.	Susisieki su firmos autorizuotu techninio aptarnavimo centru reguliavimui atlikti.	
	Reikia sureguliuoti karbiuratorių.	Susisieki su firmos autorizuotu techninio aptarnavimo centru reguliavimui atlikti.	
Variklis įsijungia, sukasi ir pagreitėja, bet neveikia tuščios eigos režime.	Grandinės alyvos bakas yra tuščias.	Reikia pripildyti alyvos baką tuo pačiu metu kaip ir degalų baką.	
	Grandinė yra per įtempta.	Įtempkite grandinę.	
	Patikrinkite tepalinės veikimą.	Leiskite varikliui sukis vidutiniu greičiu 30-45 sekundžių. Sustabdykite grandininį pjūklį ir patikrinkite pjovimo juostos alyvos tekėjimą. Jei yra alyvos, tai grandinė gali būti atšipusi, arba pjovimo juosta sugedusi. Jei ant pjovimo juostos nėra alyvos, tai susisieki su firmos autorizuotu techninio aptarnavimo centru.	
	Įjungtas grandinės stabdys.	Atleiskite grandinės stabdį.	
Variklis įsijungia ir veikia tuščios eigos režime, bet grandinė nesukasi.	Grandinė yra per įtempta.	Įtempkite grandinę.	
	Patikrinkite pjovimo juostos ir grandinės būklę.	Patikrinkite, ar pjovimo juosta ir grandinė nėra sugedusios.	
	Patikrinkite tepalinės veikimą.	Leiskite varikliui sukis vidutiniu greičiu 30-45 sekundžių. Sustabdykite grandininį pjūklį ir patikrinkite pjovimo juostos alyvos tekėjimą. Jei yra alyvos, tai grandinė gali būti atšipusi, arba pjovimo juosta sugedusi. Jei ant pjovimo juostos nėra alyvos, tai susisieki su firmos autorizuotu techninio aptarnavimo centru.	
Pjovimo juosta ir grandinė kaista ir išskiria dūmų.	Įjungtas grandinės stabdys.	Atleiskite grandinės stabdį.	
	Grandinė yra per įtempta.	Įtempkite grandinę.	
	Patikrinkite tepalinės veikimą.	Leiskite varikliui sukis vidutiniu greičiu 30-45 sekundžių. Sustabdykite grandininį pjūklį ir patikrinkite pjovimo juostos alyvos tekėjimą. Jei yra alyvos, tai grandinė gali būti atšipusi, arba pjovimo juosta sugedusi. Jei ant pjovimo juostos nėra alyvos, tai susisieki su firmos autorizuotu techninio aptarnavimo centru.	
Gaminiai veikiant įprastu režimu, variklis užges ir jo nebus įmanoma paleisti iš naujo.	Gaminys nustatytas į apsaugos nuo užšalimo režimą esant normaliai temperatūrai.	Nustatykite gaminį į įprastą veikimo režimą. Prieš paleidžiant iš naujo, variklis turi ataušti.	
	Variklio nebus įmanoma paleisti arba jis neišvystys viso greičio.	Gaminys nustatytas į apsaugos nuo užšalimo režimą esant normaliai temperatūrai.	Nustatykite gaminį į įprastą veikimo režimą.
	Žemoje temperatūroje variklis neišvysto viso greičio.	Gaminys nustatytas į įprastą režimą esant žemai temperatūrai.	Nustatykite gaminį į apsaugos nuo užšalimo režimą.

RIKKEOTSING

Probleem	Võimalik põhjus	Lahendus
Mootor ei käivitu (Kontrollige, et lüliti oleks asendis "I").	Süüde puudub.	Süüteküünal võib olla pragunenud või vigastatud. Asendage süüteküünal ja proovige uuesti käivitada. Kui mootor ei käivitu, siis andke seade kontrollimiseks Ryobi hoolduskeskusesse.
	Mootor on küüst liiga täis.	Lülitage seade välja ja eemaldage süüteküünal. Seadke õhuklapp tööasendisse (lükake täielikult sisse) ning tõmmake starteri noorist 15-20 korda. See kõrvaldab mootorist üleliigse kütuse. Puhastage süüteküünal ning asetage tagasi. Liigutage lüliti tööasendisse "I". Vajutage süütekapsel seitse korda lõpuni alla. Seadke õhuklapp asendisse "TOO" ja tõmmake starteri käepidemest 3 korda. Kui mootor ei käivitu, viige õhuklapp "KÜLMA KÄIVITAMISE" asendisse ning järgige tavalisi käivitusjuhiseid. Kui mootor ikka ei käivitu, korrake protseduuri uue süüteküünalaga.
Mootor käivitub, kuid ei kiirenda korralikult.	Karburaator vajab alumise düüsi "L" reguleerimist.	Pöörduge karburaatori seadistamiseks esinduse poole.
Mootor käivitub, kuid ei tööta täiskiirusel poolavatud õhuklapiga.	Karburaator vajab ülemise düüsi "H" reguleerimist.	Pöörduge karburaatori seadistamiseks esinduse poole.
Mootor ei jõua täispöoreteni ja/või suitseb.	Kontrollige kütusesegu.	Kasutage värsket kütust ja õiget sünteetilist kahetaktilist õlisegu.
	Õhufilter on puhastamata.	Puhastage õhufilter.
	Sädemekaitse on puhastamata.	Puhastage sädemekaitse.
	Karburaator vajab ülemise düüsi "H" reguleerimist.	Pöörduge karburaatori seadistamiseks esinduse poole.
Mootor käivitub ja kiirendab, kuid ei tööta tühikäigul.	Karburaator vajab reguleerimist.	Pöörduge karburaatori seadistamiseks esinduse poole.
Mootor käivitub ja töötab, kuid kett ei pöörle.	Õli anum on tühi.	Õlimahuti tuleks täita iga kord, kui küüst lisatakse.
	Kontrollige, kas kett ei ole liiga pingul.	Pingutage kett.
	Kontrollige õlitusfunktsiooni.	Laske mootoril 30-45 sekundit poolpöoretel töötada. Peatage saag ja kontrollige, kas juhik on õline. Kui õli eraldub, võib kett olla nõrn või juhik kahjustatud. Kui juhikul pole ikka õli, pöörduge esindusse.
Juhik ja kett on tulikuumad ja suitsevad.	Keti pidur on peal.	Vabastage ketpidur.
	Kett on liiga pingul.	Pingutage kett.
	Kontrollige, kas juhik või kett on kahjustatud.	Kontrollige, kas juhikul või ketil esineb kahjustusi.
Mootor seiskub tavatöö ajal ja enam ei käivitu.	Mootor on seadistatud külmumisvastasele režiimile tavatemperatuuril.	Seadke mootor tavatöö režiimile. Laske mootoril enne uuesti käivitamist jahtuda.
Mootor ei käivitu või ei arenda täiskiirust.	Mootor on seadistatud külmumisvastasele režiimile tavatemperatuuril.	Seadke mootor tavatöö režiimile.
Mootor ei arenda madalal temperatuuril täiskiirust.	Mootor on seadistatud külma ilma korral tavarežiimile.	Seadke mootor külmumisvastasele režiimile.

OTKLANJANJE SMETNJI

Problem	Mogući uzrok	Rješenje
Motor se ne pokreće (Provjerite nalazi li se prekidač u položaju "uključeno" "I").	Nema iskre.	Svječica može biti puknuta ili oštećena. Zamijenite staru svječicu s novom i ponovno pokušajte pokrenuti. Ako se motor ne pokrene, vratite Ryobi proizvod davatelju servisa na daljnu provjeru.
	Motor je preplavljen.	Uklonite svječicu nakon što ste sklopku stavili u položaj "isključeno". Gurnite polugu startera u položaj "uključeno" (sasvim utisnuto) i povucite 15 do 20 puta ručicu lansera. To bi trebalo osloboditi motor od viška goriva. Očistite i vratite svječicu na mjesto. Postavite prekidač u položaj uključeno " I ". Pumpajte pumpicu za gorivo 10 puta. Povucite ručku za pokretanje 3 puta s polugom čoka u položaju "RUN" (POKRENUTO). Ako se motor ne pokrene, stavite polugu startera u položaj startera i normalno ga pokrenite. Ako se motor još uvijek ne pali, ponovite ove različite etape s novom svječicom.
Motor se pali ali se ne ubrzava.	Vijak "L" (niski režim) zahtijeva podešavanje.	Obratite se ovlaštenom servisu radi podešavanja.
Motor se pali ali ne radi ispravno u punom režimu.	Vijak "H" (visoki režim) zahtijeva podešavanje.	Obratite se ovlaštenom servisu radi podešavanja.
Motor ne postiže svoj puni režim i/ili spušta previše dima.	Provjerite mješavinu goriva.	Rabite gorivo nedavno miješano, koje sadržava dobar odnos dvosintetiziranoga ulja.
	Zračni filter je zaprljan.	Očistite zračni filter.
	Štitnik za zaustavljanje iskri je prljav.	Očistite štitnik za zaustavljanje iskri.
Motor se pali i ubrzava, ali ne postiže leri.	Vijak "H" (visoki režim) zahtijeva podešavanje.	Obratite se ovlaštenom servisu radi podešavanja.
	Treba podešeti karburator.	Obratite se ovlaštenom servisu radi podešavanja.
Motor se pali i radi u leri ali se lanac ne okreće.	Spremnik za ulje za lanac je prazan.	Spremnik za ulje mora se puniti u isto vrijeme kad i spremnik za gorivo.
	Lanac je previše zategnut.	Natezanje lanca.
	Provjerite kako funkcionira podmazivač.	Ostavite da se motor vrti u polu-režimu tijekom 30 do 4 sekundi. Zaustavite motornu pilu i kontrolirajte curenje ulja iz vodilice lanca. Ako ima ulja, lanac može biti tup ili vodilica oštećena. Ako nema ulja na vodilici ulja, obratite se ovlaštenom servisu.
Vodilica i lanac se pregrijavaju i stvara se dim.	Kočnica lanca nije zakvačena.	Otpuštanje kočnice lanca.
	Lanac je previše zategnut.	Natezanje lanca.
	Provjerite stanje vodilice lanca i lanca.	Provjerite jesu li vodilica lanca i lanac oštećeni.
Motor se ugsio tijekom normalnog rada i ne pokreće se ponovno.	Proizvod je postavljen na antifriz način pri normalnim temperaturama.	Postavite proizvod u normalan način rada. Omogućite motoru da se ohladi prije ponovnog postavljanja.
Motor se ne pokreće ili ne postiže punu brzinu.	Proizvod je postavljen na antifriz način pri normalnim temperaturama.	Postavite proizvod u normalan način rada.
Motor ne postiže punu brzinu pri niskim temperaturama.	Proizvod je postavljen na antifriz način pri niskim temperaturama.	Postavite proizvod u antifriz način rada.

ODPRAVLJANJE NAPAK

Problem	Možen vzrok	Rešitev
Motor noče vžgati (Preverite ali je stikalo za vžig v položaju "I").	Ni iskrenja.	Vžigalna svečka je lahko poškodovana. Staro vžigalno svečko zamenjajte z novo in poskusite znova. Če se motor ne zažene, izdelek vrnite trgovcu Ryobi, da ga bo pregledal.
	Zalijte motorja.	Odstranite svečko pri izključenem stikalu za vžig. Vzvod lopute za hladni zagon pomaknite v položaj delovanja (pritisnjeno do konca) in 15 do 20 krat potegnite zaganjalno vrvico. Na ta način boste očistili odvečno gorivo iz motorja. Očistite in ponovno namestite svečko. Stikalo za vžig pomaknite v položaj delovanja (I). Sedemkrat pritisnite in spustite gumb vbrizgalke. Zagonski ročaj povlecite 3-krat z ročico dušilne lopute v položaju »RUN« (tek). Če motor ne vžge, pomaknite vzvod lopute za hladni zagon v položaj odprte lopute in ponovite normalni postopek zaganjanja. Če motor še vedno noče vžgati, ponovite postopek z novo svečko.
Motor vžge, vendar ne pospešuje pravilno.	Uplinjač je potrebno nastaviti na "L" (nizek brizg).	Obrnite se na pooblaščenega servisera, da vam nastavijo uplinjač.
Motor vžge, vendar ne deluje pravilno pri veliki hitrosti.	Uplinjač je potrebno nastaviti na "H" (visok brizg).	Obrnite se na pooblaščenega servisera, da vam nastavijo uplinjač.
Motor ne doseže polne hitrosti ali oddaja preveč dima.	Preverite mešanico olja in goriva.	Uporabite sveže gorivo in pravilno razmerje 2-taktne mešanice olja.
	Umazan zračni filter.	Očistite zračni filter.
	Umazan zaslon omejevalca iskrenja.	Očistite zaslon omejevalca iskrenja.
	Uplinjač je potrebno nastaviti na "H" (visok brizg).	Obrnite se na pooblaščenega servisera, da vam nastavijo uplinjač.
Motor vžge, teče in pospešuje, vendar ne teče na prazno.	Uplinjač je treba nastaviti.	Obrnite se na pooblaščenega servisera, da vam nastavijo uplinjač.
Motor vžge in teče, vendar se veriga ne vrti.	Posoda za olje je prazna.	Posodo z oljem morate napolniti vsakič, ko napolnite posodo z gorivom.
	Preverite, če ni veriga preveč zategnjena.	Napnite verigo.
	Preverite delovanje mazalke.	Pustite, da motor deluje 30 do 45 sekund s polovico moči. Zaustavite žago in preverite ali teče olje iz meča. Če je prisotno olje, je morda veriga topa ali pa je meč poškodovan. Če na meču ni olja, se obrnite na pooblaščenega servisera.
Med delovanjem sta meč in veriga vroča in oddajata dim.	Pritegnjena je zavora verige.	Sprostite zavoro verige.
	Prevelika zategnjenost verige.	Napnite verigo.
	Preverite meč in verigo glede poškodb.	Preverite meč in verigo glede poškodb.
Motor preneha delovati med običajnim obratovanjem in ga ni mogoče znova zagnati.	Izdelek je nastavljen na način obratovanja proti zmrzovanju pri običajnih temperaturah.	Nastavite izdelek na navadni način obratovanja. Pred ponovnim zagonom počakajte, da se motor ohladi.
Motorja ni mogoče zagnati oziroma ne doseže polnega števila vrtljajev.	Izdelek je nastavljen na način obratovanja proti zmrzovanju pri običajnih temperaturah.	Nastavite izdelek na navadni način obratovanja.
Izdelek ne doseže polnega števila vrtljajev pri nizkih temperaturah.	Izdelek je nastavljen na navadni način obratovanja pri nizkih temperaturah.	Nastavite izdelek na način obratovanja proti zmrzovanju.

RIEŠENIE PROBLÉMOV

Problém	Možná príčina	Riešenie
Motor nie je možné naštartovať (Skontrolujte, či je spínač zapalovania v polohe štartovania "I").	Žiadna iskra.	Zapalovacia sviečka by mohla byť prasknutá alebo poškodená. Starú zapalovaciu sviečku vymeňte za novú a znova skúste naštartovať. Ak sa stroj napriek tomu nespustí, vráťte na ďalšiu kontrolu produkt servisnému zástupcovi spoločnosti Ryobi.
	Motor je zaplavený palivom.	Prepnite spínač zapalovania do vypnutej polohy a vyberte zapalovaciu sviečku. Prepnite páčku sýtiča do zapnutej polohy (úplne zatlačená) a potiahnite 15- až 20-krát za štartovacie lanko. Tento postup má odčerpať z motora prebytočné palivo. Vyčistite zapalovaciu sviečku a vráťte ju na miesto. Nastavte spínač zapalovania do polohy zapnuté (I). Stlačte 10-krát gumový balónik. 3-krát potiahnite rukoväť štartéra s páčkou sýtiča v polohe „RUN“. Ak sa motor nenaštartuje, prepnite páčku sýtiča do polohy sytenia a zopakujte obvyklý postup štartovania. Ak sa aj napriek vykonaným úkonom nepodarí motor naštartovať, vykonajte celý postup ešte raz s novou zapalovacou sviečkou.
Motor naštartuje, ale nie je možné zvýšiť otáčky.	Je potrebné nastaviť skrutku "L" (nízke otáčky) karburátora.	Za účelom nastavenia karburátora sa obráťte na servisné stredisko spoločnosti.
Motor sa naštartuje, ale nedosiahne maximálne otáčky.	Je potrebné nastaviť skrutku "H" (vysoké otáčky) karburátora.	Za účelom nastavenia karburátora sa obráťte na servisné stredisko spoločnosti.
Motor nedosiahne plné otáčky alebo sa z neho dymi.	Skontrolujte palivovú zmes.	Použite čerstvú palivovú zmes obsahujúcu správny pomer oleja pre dvojtaktné motory.
	Je znečistený vzduchový filter.	Vyčistite vzduchový filter.
Naštartovanie, chod a zrýchlenie motora je normálne, ale nie je možné udržať voľnobeh.	Je znečistená mriežka lapača isker.	Vyčistite mriežku lapača isker.
	Je potrebné nastaviť skrutku "H" (vysoké otáčky) karburátora.	Za účelom nastavenia karburátora sa obráťte na servisné stredisko spoločnosti.
Motor naštartuje a beží, ale reťaz sa neotáča.	Je potrebné zoradiť karburátor.	Za účelom nastavenia karburátora sa obráťte na servisné stredisko spoločnosti.
	Olejová nádrž reťaze je prázdna.	Olejovú nádrž plňte pri každom plnení palivovej nádrže.
Vodiaca lišta a reťaz sa zahrievajú a dymia.	Reťaz je príliš napnutá.	Napnutie reťaze.
	Skontrolujte funkciu masťnice.	Nechajte motor bežať na polovičný plyn 30 až 45 sekúnd. Vypnite pílu a skontrolujte, či neuniká olej z vodiacej lišty. Ak uniká olej, reťaz sa môže otupiť alebo sa môže poškodiť lišta. Ak na lište nie je žiadny olej, obráťte sa na servisné stredisko.
	Je aktivovaná brzda reťaze.	Deaktivácia brzd reťaze.
Motor sa pri bežnej prevádzke zastaví a nespustí sa znova.	Reťaz je príliš napnutá.	Napnutie reťaze.
	Skontrolujte stav vodiacej lišty a reťaze.	Skontrolujte stav vodiacej lišty a reťaze.
Motor sa pri bežnej prevádzke zastaví a nespustí sa znova.	Produkt je nastavený v režime proti zamrznutiu pri štandardných teplotách.	Nastavte produkt do štandardného prevádzkového režimu. Pred opätovným spustením nechajte motor vychladnúť.
	Motor sa nespustí alebo nedosiahne maximálnu rýchlosť.	Produkt je nastavený v režime proti zamrznutiu pri štandardných teplotách.
Motor nedosiahne maximálnu rýchlosť pri nízkych teplotách.	Produkt je nastavený v štandardnom režime pri nízkych teplotách.	Nastavte produkt do režimu proti zamrznutiu.

ОТСТРАНЯВАНЕ НА ПРОБЛЕМИ

Проблем	Възможна причина	Решение
Двигателят не тръгва (Уверете се, че превключвателят е във включено положение "I").	Няма искра.	Свещта може да е напукана или повредена. Сменете старата свещ с нова и опитайте да стартирате отново. Ако двигателят не се стартира, върнете продукта на сервизен представител на Ryobi за допълнителна проверка.
	Двигателят се е задалвил.	След като поставите превключвателя в изключено положение, извадете свещта. Поставете лоста на стартера във включено положение (да е натиснат докрай) и дръпнете 15-20 пъти ръчката на стартера. Така двигателят ще се освободи от излишното гориво. Почистете свещта и я върнете на място. Поставете превключвателя във включено положение (I). Натиснете и отпуснете 10 пъти пусковата помпа. Дръпнете ръкохватката на стартера 3 пъти, като дроселният лост трябва да е на позиция "RUN" (Работи). Ако двигателят не тръгне, поставете лоста на стартера във включено положение и включете по обичайния начин. Ако двигателят отново не тръгне, повторете различните етапи с нова свещ.
Двигателят тръгва, но не ускорява както трябва	Жигльорът "L" (слаба струя) има нужда от релаж.	Обърнете се към оторизиран сервиз, където ще извършат този релаж.
Двигателят тръгва, но не работи добре на пълна мощност.	Жигльорът "H" (силна струя) има нужда от релаж.	Обърнете се към оторизиран сервиз, където ще извършат този релаж.
Двигателят не достига максимална мощност и/или изпуска твърде много дим.	Проверете горивната смес.	Използвайте прясно смесено гориво с правилно съотношение на масло за двутактови двигатели
	Въздушният филтър е замърсен.	Почистете въздушния филтър.
	Искрогасителната решетка е замърсена.	Почистете искрогасителната решетка.
Двигателят тръгва, работи и ускорява, но не поддържа празен ход.	Жигльорът "H" (силна струя) има нужда от релаж.	Обърнете се към оторизиран сервиз, където ще извършат този релаж.
	Карбураторът трябва да се регулира.	Обърнете се към оторизиран сервиз, където ще извършат този релаж.
	Резервоарът с масло за веригата е празен.	Резервоарът за маслото трябва да се зарежда едновременно с резервоара за горивото.
	Веригата е прекалено обтегната.	Натегнете веригата.
Двигателят тръгва и работи на празен ход, но веригата не се върти.	Проверете маслената помпа.	Оставете двигателя да работи на междинен режим в продължение на 30-45 секунди. Спрете триона и проверете дали от шината изтича масло. Ако има масло, веригата може да е изно-сена или повредена. Ако няма масло върху шината, обърнете се към оторизиран сервиз.
	Включена е спирачката на веригата.	Освободете верижната спирачка.
	Веригата е прекалено обтегната.	Натегнете веригата.
Шината и веригата се нагряват и изпускат пушек.	Проверете състоянието на шината и на веригата.	Проверете дали шината и веригата са изправни.
	При нормална работа двигателят спира и не може да стартира повторно.	Продуктът е в режим против замръзване, а температурите са нормални.
Двигателят не стартира или не достига пълна скорост.	Продуктът е в режим против замръзване, а температурите са нормални.	Задайте продукта в нормален режим на работа.
Двигателят не достига пълна скорост при ниски температури.	Продуктът е в нормален режим, а температурите са ниски.	Задайте продукта в режим против замръзване.

English	Français	Deutsch	Español	Italiano	Nederlands	Português
Specifications	Caractéristiques techniques	Technische daten	Características técnicas	Caratteristiche tecniche	Technische gegevens	Características técnicas
Petrol Chainsaw	Tronçonneuse Thermique	Benzin-Kettensäge	Motosierra a gasolina	Motosega a benzina	Benzine-aangedreven kettingzaag	Motoserra a gasolina
Model	Modèle	Model	Modelo	Modello	Model	Modelo
Engine capacity	Cylindrée du moteur	Hubraum	Capacidad del motor	Capacità motore	Motorvermogen	Capacidade do motor
Weight - No bar, chain, fuel, lubricant	Poids – sans guide, chaîne, carburant, lubrifiant	Gewicht – Keine Schiene, Kette, kein Kraftstoff oder Öl, schmierung	Peso sin espada, cadena, combustible ni aceite, lubricante	Peso-senza barra, catena, carburante e olio, lubrificante	Gewicht - zonder zaagblad, ketting, brandstof of olie, smeeroilie	Peso - Sem barra, corrente, combustível ou óleo, lubrificante
Fuel tank capacity	Capacité du réservoir de carburant	Kraftstofftank – Fassungsvermögen	Capacidad del depósito de combustible	Capienza serbatoio del carburante	Inhoud brandstoftank	Capacidade do depósito de combustível
Lubricant tank capacity	Capacité du réservoir d'huile	Öltank – Fassungsvermögen	Capacidad del depósito de aceite	Capienza serbatoio dell'olio	Inhoud olietank	Capacidade do reservatório de óleo
Maximum chain speed at the recommended maximum engine speed	Vitesse maximale de la chaîne au régime moteur maximal recommandé	Maximale Kettengeschwindigkeit bei empfohlener maximaler Drehzahl	Máxima velocidad de la cadena a la velocidad máxima recomendada del motor	Velocità massima catena alla velocità massima raccomandata del motore	Maximale kettingsnelheid bij het aanbevolen maximale motorvermogen	Velocidade máxima da corrente à velocidade máxima recomendada do motor
Bar length Usable cutting length	Longueur du guide Longueur de coupe utile	Schiene(n)längen Anwendbare Schnittlänge	Longitud de la espada Largo de corte	Lunghezza barra Lunghezza di taglio disponibile	Zaagbladlengten Bruikbare zaaglengte	Comprimentos da barra Comprimento de corte útil
Chain pitch Chain gauge	Gouge de la chaîne Pas de la chaîne	Kettenteilung Kettenstärke	Paso de la cadena Calibre de la cadena	Passo catena Sezione catena	Kettingsteek Tanddiepte	Passo da corrente Calibre da corrente
Chain type (Low profile full complement)	Type de chaîne (Profilé bas à séquence standard)	Kettentyp (Niedrigprofil-Universalsägekette)	Tipo de cadena (Complemento completo de perfil bajo)	Tipo di catena (Complemento completo de profilo basso)	Kettingtype (Laagprofiel volledig complement)	Tipo de corrente (Complemento completo de perfil baixo)
Drive sprocket	Pignon d'entraînement	Kettenritzel	Rueda dentada motriz	Ruota dentata di trasmissione	Kettingwiel	Pinhão
Engine displacement	Cylindrée du moteur	Motorkubraum	Volumen del motor	Cilindrata motore	Cilinderinhoud motor	Cilindrada do motor
Maximum engine power (ISO 7293)	Vitesse maximale du moteur avec accessoires (ISO 7293)	Maximale Motorleistung (ISO 7293)	Potencia máxima del motor (ISO 7293)	Potenza massima motore (ISO 7293)	Max. motorvermogen (ISO 7293)	Potência máxima do motor (ISO 7293)
Recommended maximum engine speed with cutting attachment	Régime moteur maximum recommandé avec accessoire de coupe	Empfohlene Höchstzahl mit Schnitzaufsatz	Velocidad máxima recomendada del motor con accesorio de corte	Velocità del motore massima raccomandata con accessorio di taglio	Aangewezen maximumsnelheid met maaivoorzestuk	Velocidade do motor máxima recomendada com acessório de corte
Specific fuel consumption at maximum engine power	Consommation spécifique de carburant au régime moteur maximum	Spezifischer Kraftstoffverbrauch bei maximaler Motordrehzahl	Consumo específico de combustible al máximo régimen del motor	Consumo specifico di carburante al regime motore Massimo	Specifiek brandstofverbruik bij maximum motorvermogen	Consumo específico de combustível no regime máximo do motor
Engine idling speed range	Fourchette du régime de ralenti	Leerlaufdrehzahl des Motors	Intervalo de velocidad de ralenti del motor	Gamma velocità del minimo del motore	Stationair snelheidsbereik van de motor	Intervalo de velocidade do ralenti do motor
Sound pressure level at operator's position (in accordance with ISO 22868)	Niveau de pression sonore au niveau de l'opérateur (selon ISO 22868)	Schalldruckpegel an der Position des Anwenders (nach ISO 22868)	Nivel de presión acústica en el puesto del operario	Livello di pressione sonora alla posizione dell'operatore (secondo quanto indicato dalle norme ISO 22868)	Geluidsdrukniveau op positie gebruiker (in overeenstemming met ISO 22868)	Nível de pressão acústica no posto do utilizador (de acordo com a norma ISO 22868)
Sound power level (in accordance with ISO 22868)	Niveau de puissance sonore (selon ISO 22868)	Schalleistungspegel (nach ISO 22868)	Nivel de la potencia sonora (de acuerdo con la norma ISO 22868)	Livello potenza sonora (secondo quanto indicato dalle norme ISO 22868)	Geluidsniveau (in overeenstemming met ISO 22868)	Nível da potência sonora (de acordo com a norma ISO 22868)
Vibration (in accordance with ISO 22867)	Vibrations (selon ISO 22867)	Vibrationen (nach ISO 22867)	Vibración (de acuerdo con la norma ISO 22867)	Vibrazione (secondo quanto indicato dalle norme ISO 22867)	Trillingen (in overeenstemming met ISO 22867)	Vibração (de acordo com a norma ISO 22867)
Front Handle	Poignée avant	Vorderer Haltegriff	Mango delantero	Manico anteriore	Voorste handvat	Pega frontal
Rear Handle	Poignée arrière	Hinterer Haltegriff	Mango trasero	Manico posteriore	Achterste handvat	Pega traseira

Replacement parts (Bar and chain)	Pièces de Rechange (Guide-chaîne et chaîne)	Ersatzteile (Schiene und Kette)	Piezas de repuesto (Barra y cadena)	Parti di ricambio (Barra e catena)	Vervangonderdelen (Ketting en zwaard)	Pecas de substituição (Barra e corrente)
Manufacturer	Fabricant	Hersteller	Fabricante	Ditta produttrice	Fabrikant	Fabricante
Chain	Chaîne coupante	Kette	Cadena	Catena	Ketting	Corrente
Bar	Guide-chaîne	Führungsschiene	Barra	Barra	Zwaard	Barra



Dansk	Svenska	Suomi	Norsk	Русский		
Tekniske specifikationer	Tekniska data	Tekniset tiedot	Tekniske egenskaper	Технические характеристики		
Benzinkaedesav	Bensindriven motorsåg	Bensiinikäyttöinen moottorisaha	Bensindrevet kjedesag	Бензиновая цепная пила		
Model	Modell	Malli	Modell	Модель	RCS3835T	RCS3840T
Motorkapacitet	Motorns kapacitet	Moottorin kapasiteetti	Motorkapasitet	Объем двигателя	37 cc 37 cm ³	37 cc 37 cm ³
Vægt - uden sværd, kæde, brændstof og olie, smæreløje	Vikt – utan svärd, kedja, bränsle eller olja, smörjolja	Paino – ilman terää, ketjua, polttoainetta ja öljyä, voiteluöljy	Vekt – Uten sverd, kjede, brennstoff eller olje, smæreløje	Вес (без шины, цепи и масла, смазочного масла)	4.4 kg	4.4 kg
Benzintank, ruminhold	Bränsletankens volym	Polttoainesäiliön kapasiteetti	Volum på brenstofftank	Емкость топливного бака	310 cm ³	310 cm ³
Oliebholder, ruminhold	Oljetankens volym	Öljysäiliön kapasiteetti	Volum på oljetank	Емкость масляного бака	210 cm ³	210 cm ³
Maksimal kædehastighed ved den anbefalede maksimale motorhastighed	Max kædehastighed ved anbefaldet max hastighed på motorn	Ketjun maksiminopeus suositellulla moottorin maksiminopeudella	Maksimum kjedehestighet ved anbefalt maksimum motorurtall	Максимальная скорость перемещения цепи при рекомендуемой максимальной скорости вращения двигателя	23.8 m/s	23.8 m/s
Sværdlængder	Sværdlængder	Terien pituudet	Sverdlengder	Длина шины	35 cm	40 cm
Anvendelig skærer længde	Anvænder sagningslængde	Leikkukuuutus	Brukbar kuttelengde	Используемая режущая длина	33.3 cm	37 cm
Kædestigning	Kædejedeling	Ketjun jako	Inndeling av kjede	Зубья пильной цепи	9.53 mm (0.375")	9.53 mm (0.375")
Max. tiladeligt kædeslør	Kedjetocklek	Ketjun paksaus	Kjedestørrelse	Шаг пильной цепи	1.27 mm (0.05")	1.27 mm (0.05")
Kædetype (Lav profil fuld komplement kæde)	Kedjetyp (Låg profil komplett)	Ketjun tyyppi (Matala profiili, täysi komplementti)	Kjedetype (Lavprofil full utfylling)	Тип пильной цепи (Комплект элементов низкого профиля)	0.375"	0.375"
Drivhjul	Drivkugge	Vetopyörä	Kjedehjul, drev	Ведущая звездочка	6 teeth x 0.375"	6 teeth x 0.375"
Motor, slagvolumen	Motorförskjutning	Moottorin iskullavuus	Motorens slagvolum	Рабочий объем мотора	37 cm ³	37 cm ³
Max. motoreffekt (ISO 7293)	Maximal motoreffekt (ISO 7293)	Moottorin maksimiteho (ISO 7293)	Maksimum motoreffekt (ISO 7293)	Максимальная мощность мотора (ISO 7293)	1.3 kW	1.3 kW
Anbefalet max motorhastighed med klippeudstyr	Rekommenderad maximum motorhastighet med sågutrustning	Moottorin suositeltu huippunopeus leikkuaiteella	Anbefalt maksimum motorurtall med kappestyr monter	Рекомендуемое максимальное значение оборотов двигателя с режущим приспособлением	12,500 min ⁻¹	12,500 min ⁻¹
Specifikt brændstofforbrug ved fuld motorkraft	Specifikt bränsleförbrukning vid högsta motorvarvtal	Polttoaineen ominaiskulutus moottorin maksimiteholla	Spesifikt drivstofforbruk ved maksimum motorurtall	Особый расход топлива в максимальном режиме мотора	460 g/kWh	460 g/kWh
Motorens tomgangshastighed	Intervall för tomgångshastighet	Moottorin tyhjäkäyntialue	Motorens tomgangsområde	Диапазон оборотов двигателя на холостом ходу	2400-3300 min ⁻¹	2400-3300 min ⁻¹
Lydtrykniveau ved operatørens øre (i henhold til ISO 22868)	Ljudtryknivå vid användarens position (i enlighet med ISO 22868)	Käyttäjään kohdistuva äänepainetaso (standardin ISO 22868 -standardin mukaan)	Lydtryknivå ved operatørens posisjon (i henhold til ISO 22868)	Уровень звукового давления на месте оператора (в соответствии со стандартом ISO 22868)	L _{WA} =102.47 dB(A), K _{WA} =2.5 dB(A)	L _{WA} =101.25 dB(A), K _{WA} =2.5 dB(A)
Lydeffektniveau (i henhold til ISO 22868)	Ljudeffektivitet (i enlighet med ISO 22868)	Ääniteho (standardin ISO 22868 -standardin mukaan)	Lydeffektnivå (i henhold til ISO 22868)	Уровень звуковой мощности (в соответствии со стандартом ISO 22868)	L _{WA} =108.94 dB(A), K _{WA} =2.26 dB(A)	L _{WA} =108.87 dB(A), K _{WA} =2.22 dB(A)
Vibration (i henhold til ISO 22867)	Vibration (i enlighet med ISO 22867)	Vibration (standardin ISO 22867 -standardin mukaan)	Vibrasjon (i henhold til ISO 22867)	Вибрация (в соответствии со стандартом ISO 22867)		
Forhåndtag	Fråmre handtag	Etukädensija	Fremre håndtak	Передняя ручка	a _h =4.03 m/s ² , K=1.5 m/s ²	a _h =3.68 m/s ² , K=1.5 m/s ²
Baghåndtag	Bakre handtag	Takakädensija	Bakre håndtak	Задняя ручка	a _h =5.48 m/s ² , K=1.5 m/s ²	a _h =4.13 m/s ² , K=1.5 m/s ²

Reserve dele (Sværd og kæde)	Utbutesdelar (Klinga och kedja)	Varaosat (Terälevy ja ketju)	Erstatningsdelar (Sagsverd og kjede)	Залпасные части (Пильная шина и цепь)						
Producent	Tilverkare	Valmistaja	Produsent	Изготовитель	Ryobi	TriLink	Oregon	Ryobi	TriLink	Oregon
Gashåndtagets udløserknop	Avtrykkrifgring	Liipaisimen vapautin	Utløser for gasshåndtak	Кнопка разблокировки курка	RAC221	CL15052PB	91P05PPT	RAC222	CL15054PB	91P05PPT
						682006001	901213011		682006002	901213012
Sværd	Stød	Terälevy	Skinne	Шина	RAC245	M1501452-1041	140SDEAD01	RAC246	M1501656-1041	160SDEAD01
						310442001	311023001		31043001	311024001





Polski	Čeština	Magyar	Română	Latviski	Lietuviškai	Eesti
Parametry techniczne	Technické údaje	Műszaki adatok	Caracteristici tehnice	Specifikācijas	Techninės sąlygos	Techninės sąlygos
Benzenowa pirarka łańcuchowa	Benzinová řetězová pila	Benzinés láncfűrész	Ferăstrău cu lanț pe benzină	Benzīna ķēdes zāģis	Benzininis grandininis pjūklas	Bensiinimootoriga kettsaag
Model	Model	Tipus	Model	Modelis	Modelis	Mudel
Pojemność silnika	Obsah motoru	Motorteljesítmény	Capacitate motor	Dzinēja tilpums	Varklijo galia	Mootori kubatuur
CieŜar- bez prowadnicy, łańcucha i oleju, olej smarujący	Hmotnost - bez vodičí řetězu, paliva a oleje, mazací olej	Gépsúly - láncvezetős, lánc-üzemanyag és láncolaj nélkül, kenőolaj	Greutate - fără ghid, lanț, carburant și ulei, agent de lubrifiere	Svars (bez vadīklas, ķēdes, degvielas, eļļas, smērēļļa)	Svoris (bez pjovimo juostos, grandinės, degalų ir alyvos, tepimo alyva)	Kaal - ilma juhtiku, kütuse ja õli/a, määrdeeli
Pojemność zbiornika na paliw	Obsah palnivové nádrže	Üzemanyagtartály űrtartalom	Capacitatea rezervorului de carburant	Degvielas tvertnes ietilpība	Degalų bako talpa	Kütusepaagi mahutavus
Pojemność zbiornika na olej	Obsah olejové nádrže	Olajtartály űrtartalom	Capacitatea rezervorului de ulei	Eļļas tvertnes ietilpība	Alyvos bako talpa	Õlipaagi mahutavus
Maksymalna predkość łańcucha przy maksymalnej zalecanej predkośći obrotowej silnika	Maximální rychlost řetězu při doporučené maximální rychlosti motoru	Maximális láncsebesség a maximális motorfordulatszámánál	Viteza maximă a lanțului la viteză maximă recomandată a motorului	Maksimālais ķēdes ātrums pie ieteicamā maksimālā dzinēja ātruma	Didžiausias grandinės greitis esant rekomenduojamam didžiausiam variklio greičiui	Maksimaalne keti kiirus mootori soovitataval maksimaalkiiruseel
Długość prowadnicy	Długość łańcucha	Láncvezetős hossz	Lungimea ghidului	Vadīklas garums	Pjovimo juostos ilgis	Lati pikkus
Wytrzymałość łańcucha	Wytrzymałość łańcucha	Użyteczna długość cięcia	Uzmetojamais griešanas garums	Naudojamos pjovimo ilgis	Naudojamos pjovimo ilgis	Kasutaval lõike pikkus
Przecinak kształtowy łańcucha	Ólányék řetězu	Fog osztás	Lamele lanțului	Ķēdes asmenīši	Pjovimo grandinės dantukas	Keti samm
Skok łańcucha	Rozeťec řetězu	Fogak közötti távolság	Pasul lanțului	Ķēdes parametrs	Pjovimo grandinės žingsnis	Keti rööbe
Typ łańcucha (Niskoprotkowy, kompletny)	Typ řetězu (Nizký profil s plným počtem)	Fűrészlánc típus (alacsony profilú, teljes kitöltésű)	Tipul lanțului (Accesoriu cu profil jos)	Ķēdes paveids (Plīns zema profila komplekts)	Pjovimo grandinės tipas (Mažo profilio, visas komplektais)	Keti tüüp (Madal profiil, täiskomplekt)
Kolo napędowe	Drive sprocket	Lánckerék	Pinion de antrenare	Ķēdesrats	Krumpliaratis	Üleakandevõli
Pojemność skokowa silnika	Obsah válce	Hengerűrtartalom	Cilindree	Dzinēja darba tilpums	Cilindro talpa	Mootori kubatuur
Maksymalna moc silnika (ISO 7293)	Maximální výkon motoru (ISO 7293)	Motor maximális teljesítménye (ISO 7293)	Puterea maximă a motorului (ISO 7293)	Dzinēja maksimālā jauda (ISO 7293)	Maksimalus variklio galingsumas (ISO 7293)	Mootori maksimaalne võimsus (ISO 7293)
Zalecana maks. predkość silnika z końcówką tnącą	Doporučené maximální otáčky motoru se sekacími doplňkem	Javasolt maximális motorfordulatszám vágó szereléssel	Turajie recomandată maximă motor cu atașament de tăiere	Ieteicamais maksimālais dzinēja ātrums ar griešanas aprīkojumu	Rekomenduojamas didžiausias variklio greitis naudojant pjovimo priedą	Soovitatav mootori maksimaalkiirus lõikeorganiga
Specyficzne zużycie paliwa przy maksymalnych obrotach silnika	Měrná spotřeba paliva při maximálním výkonu motoru	Fajlagos üzemanyag-fogyasztás a motor maximális fordulatszámán	Consum specific de carburant cu motorul la regim maxim	Degvielas patēriņš ar maksimālu motora jaudu	Specifinis degalų suvartojimas esant maksimaliam variklio darbo režimui	Spetsifiline kütuseku mootori maksimumvõimsuse juures
Zakres obrotów silnika na biegu jałowym	Rychlost motoru při volnoběhu	Motor alapjárati fordulatszám-tartományja	Ritm de viteză a motorului la relanș	Dzinēja tukšgaitas ātruma amplitūda	Variklio darbo tuščiajame eiga greičio diapazonas	Mootori tühikäiguriuse pirkond
Poziom osłnienia dźwięku w pobliżu operatora (zgodnie z normą ISO 22868)	Hladina akustického tlaku v poloze obsluhy (v souladu s ISO 22868)	Hangnyomásszint a kezelő pozíciójában (a ISO 22868 szerint)	Nivelurile de presiune a zgomotului în poziția operatorului (în conformitate cu ISO 22868)	Skāņas spiediena līmenis operatora līmenī (saskaņā ar ISO 22868)	Skāņas spaudimo lygis operatorui (pagal ISO 22868)	Mūrarthu tase kasutaja kõrvade kõrgusel (vastavalt standardile ISO 22868)
Poziom natężenia akustycznego (zgodnie z normą ISO 22868)	Hladina akustického výkonu (v souladu s ISO 22868)	Hangteljesítményszint (a ISO 22868 szerint)	Nivel de putere a zgomotului (în conformitate cu ISO 22868)	Skāņas jaudas līmenis (saskaņā ar ISO 22868)	Garso galimumo lygis operatoriaus ausimis (pagal ISO 22868)	Helivõimsuse tase (vastavalt standardile ISO 22868)
Wibracje (zgodnie z normą ISO 22867)	Vibrace (v souladu s ISO 22867)	Rezgésszint (a ISO 22867 szerint)	Vibrații (în conformitate cu ISO 22867)	Vibrācija (saskaņā ar ISO 22867)	Vibracijos (pagal ISO 22867)	Vibratsioon (vastavalt standardile ISO 22867)
Przedni uchwyt	Přední rukojeť	Elűlső fogantyú	Mâner anterior	Priekšējais rokturis	Priekinė rankena	Eesmine käepide
Tylny uchwyt	Zadní rukojeť	Hátolsó fogantyú	Mânerul principal	Aizmugurējais rokturis	Galinė rankena	Tagumine käepide



Części zamienne (Prowadnica i łańcuch)	Náhradní díly (Lišta a řetěz)	Cserealkatrészek (Láncvezetős és lánc)	Piese de schimb (Bară și lanț)	Rezerves daļas (Sliede un ķēde)	Atsarginės detalės (Juosta ir grandinė)	Asendusosad (Juhtlatti ja keti)
Producent	Wyrobc	Gyártó	Producător	Rabotājš	Gamintojas	Tootja
Przycisk odblokowania spustu-włącznika	Wykresz przycisku	Ravasz kireteszélő gomb	Butonul de deblocare a trăgaciului	Slēdzza atbloķēšanas poga	Jungtiklio deblokavimo mygtukas	Päästikku hoob
Prowadnica	Lišta	Láncvezetős	Lamă	Sliede	Āpsagās	Juhtlatti



Hrvatski	Slovensko	Slovenčina	България		
Tehničke karakteristike	Tehnički podatki	Specifikacije	Спецификации на продукта		
Motorna pila s benzinskim motorom	Benčinska verižna žaga	Benzinová rezačová píla	Бензинов верижен трион		
Model	Model	Modelis	Модел	RCS3835T	RCS3840T
Kapacitet motora	Delovna prostornina motorja	Objem motora	Обем на двигателя	37 cc 37 cm ³	37 cc 37 cm ³
Težina - bez vodilice lanca, goriva i ulja, ulje za podmazivanje	Teža - brez meča, goriva ali olja, olje za mazanje	Hmotnosť - bez vodiacej lišty, paliva alebo oleja, mazacie oleje	Тегло - без шиня, верига, гориво и масло, смазочно масло.	4.4 kg	4.4 kg
Kapacitet spremnika za gorivo	Zmogljivost posode za gorivo	Objem palivovoj nádrže za gorivo	Вместимост на резервоара за горивото	310 cm ³	310 cm ³
Kapacitet spremnika za ulje	Zmogljivost posode za olje	Objem olejovoj nádrže	Вместимост на резервоара за маслото	210 cm ³	210 cm ³
Maksimalna brzina lanca kod preporučene maksimalne brzine motora	Maksimalna hitrost verige pri priporočeni maksimalni hitrosti motorja	Maximálna rýchlosť reťaze na odporúčanej maximálnej otáčkach motora	Максимална скорост на веригата при препоръчителна максимална скорост на двигателя	23.8 m/s	23.8 m/s
Dužina vodilice	Dolžine meča	Dĺžka vodiacej lišty	Дължина на шинята	35 cm	40 cm
Korisna dužina vodilice	Dolžina uporabne površine za žaganje	Využitelná dĺžka rezania	Използваема дължина на рязане	33.3 cm	37 cm
Zubac lanca	Korak verige	Rozstup reťaze	Стъпка на веригата	9.53 mm (0.375")	9.53 mm (0.375")
Korak lanca	Debelina verige	Hrúbka reťaze	Звено на веригата	1.27 mm (0.05")	1.27 mm (0.05")
Vrsta lanca (Komplet punog malog profila)	Vrsta verige (Nizek profil, vsi dodatki)	Typ reťaze (Nizkoprofiloví plný doplnok)	Тип верига (Нисък профил, пълни зъби)	0.375"	0.375"
Pogonski lančanič	Pogonski zobnik	Rezačovo koleso	Водещо зъбно колело	6 teeth x 0.375"	6 teeth x 0.375"
Cilindar	Premik motorja	Obsah valca	Работен обем	37 cm ³	37 cm ³
Maksimalna snaga motora (ISO 7293)	Najveća moć motorja (ISO 7293)	Maximálny výkon motora (ISO 7293)	Максимална мощност на двигателя (ISO 7293)	1.3 kW	1.3 kW
Preporučena maksimalna brzina motora s priključkom za rezanje	Priporočena najveća hitrost motorja z rezalnim priključkom za rezanje	Odporúčaná maximálna otáčka motora s rezacím nástavcom	Препоръчителна максимална скорост на двигателя с режещо приспособление	12,500 min ⁻¹	12,500 min ⁻¹
Specifična potrošnja goriva kada motor radi najvećom snagom	Specifična poraba goriva pri maksimalni moći motorja	Merňá spotreba paliva pri maximálnom výkone motora	Специфичен разход на гориво при максимална мощност на двигателя	460 g/kWh	460 g/kWh
Raspon brzina motora u praznom hodu	Oblomlje hitrosti motorja v prostem teku	Rozsah otáčok motora pri voľnobehu	Диапазон от скорости на двигателя при празен ход	2400-3300 min ⁻¹	2400-3300 min ⁻¹
Razine zvučne snage u položaju operatora	Ravni zvočnega tlaka na mestu upravljalca	Hladný akustického tlaku na mieste obsluhujucej osoby	Ниво на шумово налягане на мястото на оператора	L _{PA} =102.47 dB(A), K _{PA} =2.5 dB(A)	L _{PA} =101.25 dB(A), K _{PA} =2.5 dB(A)
Razina zvučne snage (u skladu s ISO 22868)	Raven zvočne moći (skladno z ISO 22868)	Hladina akustického výkonu (podľa normy ISO 22868)	Ниво на сила на шума (в съответствие с ISO 22868)	L _{WA} =108.94 dB(A), K _{WA} =2.26 dB(A)	L _{WA} =108.87 dB(A), K _{WA} =2.22 dB(A)
Vibracije (u skladu s ISO 22867)	Vibracije (skladno z ISO 22867)	Vibrácie (podľa normy ISO 22867)	Вибрации (в съответствие с ISO 22867)		
Prednja ručka	Spređnji ročaj	Predná rukoväť	Предна ръкохватка	a _h =4.03 m/s ² , K=1.5 m/s ²	a _h =3.68 m/s ² , K=1.5 m/s ²
Stražnja ručka	Zadnji ročaj	Zadná rukoväť	Задна ръкохватка	a _h =5.48 m/s ² , K=1.5 m/s ²	a _h =4.13 m/s ² , K=1.5 m/s ²

Zamjena dijelova (Vodilica i lanac)	Nadomestni deli (Meč in veriga)	Náhradné diely (Lišta a rezač)	Резервни части (Шиня и верига)			
Proizvođač	Proizvajalec	Výrobca	Производител	Ryobi	TriLink	Oregon
Blokada otkopca	Sprožilni gumb	Zapadka plynovej páčky	Бутон за блокиране на пусковия лост	RAC221	CL15052PB 682006001 901213011	91P052PTT CL15056PB 682006002 901213012
Vodilica	Meč	Lišta	Шиня	RAC245	M1501452-1041 310442001	140SDE4041 311023001 RAC246 M1501666-1041 310443001 311024001

EN GARANTIE

In addition to any statutory rights resulting from the purchase, this product is covered by a guarantee as stated below.

1. The guarantee period is 24 months for consumers and commences on the date when the product was purchased. This date has to be documented by an invoice or other proof of purchase. The product is designed and dedicated to consumer and private use only. So there is no guarantee provided in case of professional or commercial use.
2. There is, in some cases (i.e. promotion, range of tools), a possibility to extend the warranty period over the period described above using the registration on the www.ryobitools.eu website. The eligibility of the tool is clearly displayed in stores and/or on packaging. The end user needs to register his/her newly-acquired tools online within 8 days from the date of purchase. The end user may register for the extended warranty in his country of residence if listed on the online registration form where this option is valid. Furthermore, end users must give their consent to the storage of the data which are required to enter online and they have to accept the terms and conditions. The registration confirmation receipt, which is sent out by e-mail, and the original invoice showing the date of purchase will serve as proof of the extended warranty. Your statutory rights remain unaffected.
3. The guarantee covers all defects of the product during the warranty period due to defaults in workmanship or material at the purchase date. The guarantee is limited to repair and/or replacement and does not include any other obligations including but not limited to incidental or consequential damages. The warranty is not valid if the product has been misused, used contrary to the instruction manual, or being incorrectly connected. This guarantee does not apply to
 - any damage to the product that is the result of improper maintenance
 - any product that has been altered or modified
 - any product where original identification (trade mark, serial number) markings have been defaced, altered or removed
 - any damage caused by non-observance of the instruction manual
 - any non CE product
 - any product which has been attempted to be repaired by a non-qualified professional or without prior authorization by Techtronic Industries
 - any product connected to improper power supply (amps, voltage, frequency)
 - any product used with inappropriate fuel mixture (fuel, oil, percentage of oil)
 - any damage caused by external influences (chemical, physical, shocks) or foreign substances
 - normal wear and tear of spare parts
 - inappropriate use, overloading of the tool
 - use of non-approved accessories or parts
 - carburettor after 6 months, carburettor adjustments after 6 months
 - components (parts and accessories) subject to natural wear and tear, including but not limited to bump knobs, drive belts, clutch, blades of hedge trimmers or lawn mowers, harness, cable throttle, carbon brushes, power cord, tines, felt washers, hitch pins, blower fans, blower and vacuum tubes, vacuum bag and straps, guide bars, saw chains, hoses, connector fittings, spray nozzles, wheels, spray wands, inner reels, outer spools, cutting lines, spark plugs, air filters, gas filters, mulching blades, etc.
4. For servicing, the product must be sent or presented to a RYOBI authorized service station listed for each country in the following list of service station addresses. In some countries your local RYOBI dealer undertakes to send the product to the RYOBI service organisation. When sending a product to a RYOBI service station, the product should be safely packed without any dangerous contents such as petrol, marked with sender's address and accompanied by a short description of the fault.
5. A repair/replacement under this guarantee is free of charge. It does not constitute an extension or a new start of the guarantee period. Exchanged parts or tools become our property. In some countries delivery charges or postage will have to be paid by the sender.
6. This guarantee is valid in the European Community, Switzerland, Iceland, Norway, Liechtenstein, Turkey and Russia. Outside these areas, please contact your authorized RYOBI dealer to determine if another warranty applies.

AUTHORISED SERVICE CENTRE

To find an authorised service centre near you, visit <http://uk.ryobitools.eu/header/service-and-support/service-agents>.

FR GARANTIE

En plus des droits statutaires liés à l'achat, ce produit est couvert par une garantie telle que décrite ci-dessous.

1. La durée de la garantie accordée au consommateur est de 24 mois à partir de la date d'achat. Cette date doit être authentifiée par une facture ou tout autre preuve d'achat. Le produit a été conçu en vue d'une utilisation strictement privée. Aucune garantie ne s'applique donc en cas d'utilisation professionnelle ou commerciale.
2. Il existe, dans certains cas (par exemple promotion, gamme d'outils), une possibilité d'étendre la période de garantie au-delà de la période précédemment décrite en utilisant le formulaire d'enregistrement présent sur le site Internet www.ryobitools.eu. L'éligibilité d'un outil est clairement affichée dans les points de vente et/ou sur l'emballage. L'utilisateur final doit enregistrer son/ses outil(s) nouvellement acheté(s) en ligne dans les 8 jours qui suivent la date d'achat. L'utilisateur a la possibilité de s'enregistrer pour l'extension de garantie dans son pays de résidence si celui-ci est listé dans le formulaire d'enregistrement en ligne où cette option est valide. L'utilisateur final doit donner son consentement pour l'enregistrement des données requises pour accéder au site et doit accepter les termes et conditions. La confirmation d'enregistrement, envoyée par courrier électronique, ainsi que la facture originale mentionnant la date d'achat serviront de preuve de l'extension de garantie. Vos droits statutaires restent inchangés.
3. La garantie couvre les défauts des pièces et de main d'oeuvre du produit pendant la période de garantie à partir de la date d'achat. La garantie n'inclut aucune autre obligation, tel que, mais sans s'y limiter, les dommages accessoires ou indirects. La garantie est non valable en cas de mauvaise utilisation du produit, d'utilisation contraire aux instructions du mode d'emploi, ou en cas de branchement incorrect. Cette garantie ne s'applique pas pour :
 - tout dommage au produit résultant d'un mauvais entretien
 - tout produit ayant été altéré ou modifié
 - tout produit dont les marquages originaux d'identification (marque, numéro de série) ont été dégradés, altérés ou retirés
 - tout dommage causé par le non-respect des instructions du mode d'emploi
 - tout produit non CE
 - tout produit ayant subi une tentative de réparation par du personnel non qualifié ou sans autorisation préalable de Techtronic Industries
 - tout produit raccordé à une alimentation secteur non conforme (ampérage, voltage, fréquence)
 - tout produit utilisé avec un mélange inapproprié (essence, huile, pourcentage d'huile)
 - tout dommage causé par des influences extérieures (chimiques, physiques, chocs) ou par des substances étrangères
 - l'usure normale des pièces consommables
 - une utilisation inappropriée, une surcharge de l'outil
 - l'utilisation de pièces ou accessoires non agréés
 - les carburateurs après plus de 6 mois à compter de la date d'achat, également les réglages du carburateur après plus de 6 mois à compter de la date d'achat
 - les composants (pièces et accessoires) sujets à une usure naturelle, incluant de façon non exhaustive les têtes de fil à frapper, les courroies de transmission, les embrayages, les lames des taille-haies ou des tondeuses à gazon, les harnais, les câbles d'accélérateur, les charbons, les cordons d'alimentation, les fraises de cultivateurs, les rondelles feutre, les goupilles de fraise, les turbines et lame de broyage des souffleurs, les tubes de soufflage et d'aspiration des souffleurs, les sacs de souffleurs et leurs lanières, les guides-chaîne, les chaînes de tronçonneuses, les tuyaux et raccords, les buses et lances de nettoyeurs haute pression, les roues, les recharges de fil des têtes de coupe, les têtes de coupe, le fil de coupe, les bougies d'allumage, les filtres à air, les filtres à essence, etc.
4. Si le produit doit être réparé, envoyez-le à un service après-vente agréé RYOBI dont vous trouverez ci-dessous la liste pour chaque pays. Dans certains pays, votre revendeur RYOBI se chargera d'envoyer le produit à un centre de réparation RYOBI. Lorsque vous envoyez un produit à un service après-vente RYOBI, celui-ci doit être correctement emballé, sans contenir aucun produit dangereux tel que de l'essence, et vous devez indiquer votre adresse ainsi qu'une courte description du problème.
5. Une réparation / un remplacement sous garantie est gratuit(e). Ceci ne constituera pas une extension de garantie ni un nouveau départ de la période de garantie. Les pièces ou les outils remplacés deviennent notre propriété. Dans certains pays, les frais de port devront être assumés par l'expéditeur.
6. Cette garantie est valable au sein de l'Europe, de la Suisse, de l'Islande, de la Norvège, du Liechtenstein, de la Turquie, de la Russie. En dehors de ces zones, veuillez contacter votre distributeur agréé RYOBI pour déterminer si une autre garantie s'applique.

SERVICE APRÈS-VENTE AGRÉÉ

Pour trouver le service après-vente agréé le plus proche, rendez-vous sur <http://fr.ryobitools.eu/header/service-and-support/service-agents>.

DE GARANTIE

Zusätzlich zu den aufgrund des Kaufs entstehenden gesetzlichen Rechten, ist dieses Produkt von der unten aufgeführten Garantie abgedeckt.

- Die Garantiezeit für Endverbraucher beträgt 24 Monate für und beginnt ab dem Kaufdatum des Produktes. Dieses Datum muss durch eine Rechnung oder einen anderen Kaufbeleg dokumentiert sein. Das Produkt ist ausschließlich für den Privatgebrauch entwickelt und bestimmt. Deshalb wird keine Garantie im Fall von professionellem oder kommerziellem Einsatz angeboten.
- In einigen Fällen (z.B. Promotion, auf eine bestimmte Produktpalette oder auf bestimmte Produkte begrenzt) besteht die Möglichkeit die Garantiezeit über den oben genannten Zeitraum, durch Registrierung auf der Webseite www.ryobitools.eu, zu verlängern. Der verlängerte Garantieanspruch für ein bestimmtes Produkt wird deutlich in den Geschäften und/oder auf der Verpackung des Produktes gezeigt. Der Endverbraucher muss seine neu gekauften Produkte innerhalb von 8 Tagen ab Kaufdatum registrieren. Der Endverbraucher kann sich für die erweiterte Garantie im Land seines permanenten Wohnsitzes registrieren, wenn diese Möglichkeit in dem Online-Formular gegeben ist. Des weiteren müssen die Endverbraucher ihr Einverständnis zur Speicherung der online angelegten Daten geben und die Geschäftsbedingungen annehmen. Die per E-Mail verschickte Bestätigung der Registrierung und die Originalrechnung mit Kaufdatum dienen als Nachweis für die verlängerte Garantie. Ihre gesetzlichen Rechte bleiben unangetastet.
- Die Garantie deckt während der Garantiezeit ab Kaufdatum alle Produktmängel aufgrund von Material- oder Herstellungsmängeln ab. Diese Garantie ist auf Reparatur und/oder Ersatz beschränkt und enthält keine weitere Verpflichtungen einschließlich aber nicht beschränkt auf beiläufige oder resultierende Schäden. Die Garantie ist nicht gültig, wenn das Produkt missbräuchlich oder entgegen der Bedienungsanleitung benutzt, oder falsch angeschlossen wurde. Diese Garantie gilt nicht für:
 - Jegliche Schäden die an dem Produkt aufgrund falscher Wartung entstehen.
 - Jedes Produkt das verändert oder modifiziert wurde.
 - Jedes Produkt an dem die originale Identifizierung (Markenzeichen, Seriennummer) verunstaltet, verändert oder entfernt wurden.
 - Jede Beschädigung die durch Nichtbeachtung der Bedienungsanleitung verursacht wurde.
 - Jedes Produkt ohne CE Zeichen.
 - Jedes Produkt das von einer unqualifizierten Person oder ohne vorherige Genehmigung von Techtronic Industries versucht wurde zu reparieren.
 - Jedes Produkt das an eine falsche Stromversorgung (Ampere, Spannung, Frequenz) angeschlossen wurde.
 - Jedes Produkt das mit einer falschen Treibstoffmischung (Treibstoff, Öl, Prozentanteil von Öl) betrieben wurde.
 - Jede Beschädigung die von äußeren Einflüssen (chemisch, physisch, Stöße) oder fremden Substanzen verursacht wurde.
 - Normaler Verschleiß und Abnutzung von Ersatzteilen.
 - Zweckwidrige Benutzung, Überlastung des Werkzeugs.
 - Benutzung von nicht zugelassenem Zubehör oder Teilen.
 - Den Vergaser nach 6 Monaten, die Vergasereinstellung nach 6 Monaten.
 - Teile (Teile und Zubehörteile) die normalem Verschleiß unterliegen, einschließlich aber nicht beschränkt auf Fadenköpfe, Antriebsriemen, Kupplungen, Kingen von Heckenschneidern oder Rasenmähern, Gurtzeug, Gaszügen, Kohlebürsten, Netzkabel, Zinken, Filzunterer Scheiben, Anhangsstifte, Gebläse, Gebläse- und Saugschläuche, Saugbeutel und Riemen, Führungsschienen, Sägeketten, Schläuche, Anschlüsse, Sprühdüsen, Räder, Sprühlanzen, innere Rollen, äußere Spulen, Schneidfläden, Zündkerzen, Luftfilter, Treibstofffilter, Mulchmesser usw.
- Zur Wartung muss das Produkt eingeschickt werden oder einem für jedes Land in der folgenden Liste aufgeführten autorisierten RYOBI Kundendienst gebracht werden. In einigen Ländern schickt Ihr örtlicher RYOBI Händler das Produkt an den RYOBI Kundendienst. Wenn ein Produkt an den RYOBI Kundendienst geschickt wird, sollte es sicher verpackt werden, ohne gefährlichen Inhalt, wie Treibstoff, mit der Absenderadresse versehen sein und eine kurze Beschreibung des Fehlers enthalten.
- Reparatur/Ersatz unter dieser Garantie sind kostenfrei. Das stellt keine Verlängerung oder Neustart der Garantiezeit dar. Ausgewechselte Teile oder Werkzeuge treten in unseren Besitz über. In einigen Ländern müssen Lieferkosten oder Postgebühren von dem Absender getragen werden.
- Diese Garantie gilt in der Europäische Gemeinschaft, Schweiz, Island, Norwegen, Lichtenstein, Türkei und Russland. Bitte kontaktieren Sie Ihren autorisierten RYOBI-Händler, um herauszufinden ob eine andere Gewährleistung außerhalb dieser Gebiete gültig ist.

AUTORISIERTER KUNDENDIENST

Besuchen Sie <http://de.ryobitools.eu/header/service-and-support/service-agents>, um einen autorisierten Kundendienst in Ihrer Nähe zu finden.

ES GARANTÍA

Además de cualquier derecho estatutario derivado de la compra, este producto está cubierto con la siguiente garantía.

- El período de garantía es de 24 meses para los consumidores y comienza a partir de la fecha de compra del producto. Esta fecha debe demostrarse con una factura u otra prueba de compra. El producto está diseñado y destinado al consumidor y únicamente para uso privado. Por tanto, no se ofrece ninguna garantía en caso de uso profesional o comercial.
- En algunos casos (como promociones o un conjunto de herramientas) existe la posibilidad de ampliar el período de garantía hasta el período descrito anteriormente mediante el registro en el sitio www.ryobitools.eu. La elegibilidad de la herramienta se muestra claramente en las tiendas o en el embalaje. El usuario final debe registrar sus herramientas recién adquiridas en línea en los 8 días siguientes a la fecha de compra. El usuario final podrá registrarse para ampliar la garantía en su país de residencia si éste aparece en el formulario de registro en línea en que esta opción es válida. Además, los usuarios finales deben dar su consentimiento para que se guarden los datos que se solicitan para entrar en línea y aceptar los términos y condiciones. El recibo de la confirmación de registro, que se enviará por correo electrónico, y la factura original que muestre la fecha de compra servirán como prueba de la ampliación de la garantía. Sus derechos estatutarios permanecerán intactos.
- La garantía cubre, durante el período de garantía, todos los defectos del producto que se deban a fallos de la mano de obra o a fallos del material en la fecha de compra. La garantía tiene un límite de reparación o sustitución y no incluye ninguna otra obligación se deba a, aunque sin limitarse a ello, daños accidentales o incidentales. La garantía no es válida si se ha hecho un uso inadecuado del producto, si no se ha usado siguiendo el manual de instrucciones o si se ha conectado incorrectamente. Esta garantía no se aplica a:
 - cualquier daño del producto derivado de un mantenimiento inadecuado
 - cualquier producto que haya sido alterado o modificado
 - cualquier producto en el que las marcas de identificación originales (marca comercial, número de serie) hayan sido borradas, modificadas o eliminadas
 - cualquier daño causado por el incumplimiento del manual de instrucciones
 - cualquier producto que no sea CE
 - cualquier producto que haya intentado reparar un profesional no cualificado o sin una autorización previa de Techtronic Industries
 - cualquier producto conectado a un suministro eléctrico inadecuado (amperios, tensión, frecuencia)
 - cualquier producto utilizado con una mezcla de combustible inadecuada (combustible, aceite, porcentaje de aceite)
 - cualquier daño causado por influencias externas (de productos químicos, daños físicos, descarga eléctrica) o sustancias extrañas
 - desgaste o rotura normal de las piezas de repuesto
 - uso inadecuado, sobrecarga de la herramienta
 - uso de accesorios o piezas no homologados
 - carburador después de 6 meses, ajustes del carburador después de 6 meses
 - componentes (piezas y accesorios) sujetos a un desgaste o rotura natural, incluyendo, aunque sin limitarse a ello, las perillas de las bombas, correas de transmisión, embrague, cuchillas de cortasetos o cortacésped, arnés, acelerador, escobillas de carbón, cable de alimentación, horquillas, arandelas de fieltro, pasadores de enganche, ventiladores, tubos de ventilador y de vacío, correas y bolsas de vacío, barras de guía, sierras de cadena, mangueras, accesorios de conexión, boquillas pulverizadoras, ruedas, varas rociadoras, carretes interiores y exteriores, hilos de corte, bujías, filtros de aire, filtros de gas, cuchillas de trituración, etc.
- Para el servicio, el producto debe enviarse o entregarse en un punto de servicio técnico autorizado RYOBI enumerado para cada país en la siguiente lista de direcciones de servicio técnico. En algunos países su distribuidor local RYOBI se encargará de enviar el producto a la organización del servicio de RYOBI. Al enviar un producto a un punto de servicio técnico RYOBI, el producto debe embalsarse de forma segura sin que contenga ninguna sustancia peligrosa como petróleo, debe llevar la dirección del remitente e ir acompañado de una breve descripción del fallo.
- Una reparación/sustitución dentro de esta garantía se realiza de forma gratuita. No constituye una ampliación ni un reinicio del período de garantía. Las piezas o herramientas que se cambian pasan a ser de nuestra propiedad. En algunos países los gastos de envío o del franqueo deberá pagarlos el remitente.
- Esta garantía es válida en la Comunidad Europea, Suiza, Islandia, Noruega, Lichtenstein, Turquía y Rusia. Fuera de estas zonas, póngase en contacto con su distribuidor autorizado RYOBI para determinar si se aplica otra garantía.

SERVICIO TÉCNICO AUTORIZADO

Para encontrar el servicio técnico autorizado más cercano, visite <http://uk.ryobitools.eu/header/service-and-support/service-agents>.

IT GARANZIA

Oltre ai legittimi diritti derivanti dall'acquisto del prodotto, quest'ultimo è coperto da garanzia come indicato nei seguenti punti.

- Il periodo di garanzia per il consumatore è di 24 mesi ed ha inizio dalla data in cui il prodotto è stato acquistato. Questa data deve essere documentata da una ricevuta o da altra prova d'acquisto. Il prodotto è stato designato e progettato solo per l'utilizzo privato del consumatore. La garanzia viene invalidata in caso di utilizzo professionale o commerciale.
- In alcuni casi (per esempio promozioni e gamme di prodotti) esiste la possibilità di estendere il periodo di garanzia oltre il periodo indicato sopra registrandosi sul sito web www.ryobitools.eu. L'idoneità del prodotto a rievolvere tale estensione viene indicata chiaramente nei punti vendita e/o sull'imballo. L'utente finale deve registrare il suo prodotto appena acquistato online entro 8 giorni dalla data d'acquisto. L'utente finale può accedere all'offerta nel suo paese quando la stessa è valida e qualora si sia registrato online. Inoltre, gli utenti finali devono dare il proprio consenso all'archiviazione dei dati che si inseriscono online indicando che i termini e le condizioni sono stati accettati. La ricezione della conferma della registrazione verrà inviata via email e la fattura originale indicante la data d'acquisto verrà utilizzata come prova della garanzia estesa. I diritti legittimi dell'utente rimarranno invariati.
- La garanzia copre tutti i difetti di fabbricazione del prodotto durante il periodo di garanzia a causa di guasti di fabbricazione o di materiale alla data di acquisto. La garanzia è limitata alla riparazione e/o alla sostituzione e non include altri obblighi compreso ma non limitato a danni incidentali o consequenziali. La garanzia non è valida se il prodotto non è stato utilizzato come indicato nel manuale di istruzioni o se è stato collegato in maniera non corretta. La garanzia non si applica a:
 - qualsiasi danno al prodotto che sia il risultato di una scorretta manutenzione
 - qualsiasi prodotto che sia stato alterato o modificato
 - qualsiasi prodotto sul quale l'identificazione originale (marchio registrato, numero di serie) sia stata resa illeggibile, sia stata danneggiata o alterata
 - qualsiasi danno causato dalla non osservanza del manuale d'istruzioni
 - qualsiasi prodotto non contrassegnato con il marchio CE
 - qualsiasi prodotto che una persona non qualificata abbia tentato di riparare o che si è tentato di riparare senza l'autorizzazione delle Techntronisnoc Industries
 - qualsiasi prodotto collegato a un'alimentazione non corretta (per amp, voltaggio, frequenza)
 - qualsiasi prodotto utilizzato con la miscela scorretta di carburante (carburante, olio, percentuale d'olio)
 - qualsiasi danno causato da agenti esterni (chimici, fisici o shock) o da sostanze estranee
 - normale usura di parti di ricambio
 - utilizzo non appropriato, sovraccaricamento di utensili
 - utilizzo non approvato di accessori o parti
 - carburatore dopo 6 mesi, regolazioni al carburatore dopo 6 mesi
 - componenti (parti e accessori) soggetti alla normale usura, compreso ma non limitato a manopole di avviamento a spinta, cinghie di trasmissione, frizione, lame di sfondatori o tagliaerba, cablaggio, cavo dell'acceleratore, spazzole al carbonio, cavi dell'alimentazione, lancette, rondelle in feltro, perni di aggancio, ventole del soffiatore, tubi del soffiatore e dell'aspirapolvere, sacchetti e cinghie dell'aspirapolvere, barre di guida, catene della motosega, tubi, raccordi del connettore, ugelli a spruzzo, ruote, bacchette a spruzzo, bobine interne, bobine esterne, fili di taglio, candele, filtri dell'aria, filtri del gas, lame di triturazione, ecc.
- Per servizi di manutenzione, il prodotto dovrà essere mandato o presentato presso un punto di servizio clienti autorizzato RYOBI indicato nella seguente lista. In alcune nazioni il rivenditore RYOBI si occuperà di inviare il prodotto al più vicino servizio clienti Ryobi. Quando si invia un prodotto a un servizio clienti RYOBI, il prodotto dovrà essere correttamente imballato senza eventuali contenuti pericolosi quali carburanti, e contrassegnato con l'indirizzo della persona che lo ha inviato e accompagnato da una breve descrizione del problema riscontrato.
- Si garantisce una riparazione/sostituzione gratuita quando il prodotto è coperto da garanzia. Questa sostituzione o riparazione non costituisce una estensione o un nuovo inizio di un periodo di garanzia. Le parti o utensili cambiati sono di proprietà della ditta. In alcune nazioni i costi di consegna o invio dovranno essere pagati dalla persona che spedisce.
- Questa garanzia è valida all'interno della Comunità Europea, in Svizzera, Islanda, Norvegia, Liechtenstein, Turchia e Russia. Al di fuori di queste aree, si prega di contattare il proprio gestore autorizzato RYOBI per determinare se si applica un'altra garanzia.

CENTRO SERVIZI AUTORIZZATO

Per individuare il più vicino centro servizi autorizzato, visitare il sito <http://uk.ryobitools.eu/header/service-and-support/service-agents>.

NL GARANTIE

Bovenop de statutaire rechten als gevolg van de aankoop, wordt dit product gedekt door een garantie, zoals deze hieronder wordt beschreven.

- De garantieperiode bedraagt 24 maanden voor consumenten en begint vanaf de datum waarop het product werd aangekocht. Deze datum moet worden gedocumenteerd door een factuur of ander aankoopbewijs. Het product is uitsluitend ontworpen en bedoeld voor particuliere gebruikers. De garantie vervalt bij professioneel of commercieel gebruik.
- In enkele gevallen (vb. promotie, gereedschapsaanbod) bestaat er een mogelijkheid om de garantieperiode te verlengen met dezelfde periode als deze hierboven beschreven met behulp van de registratie op de website www.ryobitools.eu. Of het product al of niet in aanmerking komt, is duidelijk aangegeven in winkels en/of de verpakking. De eindgebruiker dient zijn/haar nieuw werktuig binnen de 8 dagen na de aankoopdatum online registreren. De eindgebruiker kan zich aanmelden voor de uitgebreide garantie in zijn verblijfsland als dit op het online registratieformulier is opgenomen wanneer deze optie geldig is. Bovendien moet de eindgebruiker zijn toestemming geven om informatie te gebruiken die nodig is om toegang te krijgen tot de website en dient de algemene voorwaarden te accepteren. Het ontvangstbewijs van dit registratieformulier, dat via e-mail wordt verzonden, en de originele factuur die de aankoopdatum vermeldt dienen als bewijs van de uitgebreide garantie. Uw statutaire rechten blijven onveranderd.
- De garantie dekt alle defecten van het product gedurende de garantieperiode als gevolg van fouten in het werk of materiaal op de aankoopdatum. De garantie is beperkt tot de reparatie en/of vervanging en omvat geen andere verplichtingen waaronder, maar niet beperkt tot, incidentele of gevolgschade. De garantie is niet geldig als het product werd misbruikt, in tegenspraak met de gebruiksaanwijzing werd gebruikt of foutief werd verbonden. Deze garantie geldt niet voor:
 - schade aan het product als gevolg van foutief onderhoud
 - als het product op enigerlei wijze werd gewijzigd
 - als originele markeringen ter identificatie (handelsmerk, serienummer) van het product werden verwijderd of gewijzigd
 - voor schade als gevolg van het niet in acht nemen van deze gebruiksaanwijzing
 - een niet EC-product
 - een product, waaraan een niet-gekwalificeerde vakman reparaties uitvoerde of waaraan reparaties werden uitgevoerd zonder voorafgaande toestemming van Techntron Industries
 - een product dat werd aangesloten aan een foutieve krachtbron (amps, spanning, frequentie)
 - een product dat met een ongeschikt brandstofmengsel (brandstof, olie, oliepercentage) werd gebruikt
 - schade veroorzaakt door externe invloeden (chemische, fysieke schokken) of vreemde stoffen
 - normale slijtage van reserve-onderdelen
 - foutief gebruik, overbelasting van het werktuig
 - gebruik van niet-goedgekeurde accessoires of onderdelen
 - de carburator na 6 maanden, carburatorafstellingen na 6 maanden
 - componenten (onderdelen en accessoires) die onderworpen zijn aan slijtage, met inbegrip van, maar niet beperkt tot stookknoppen, aandrijfriemen, koppeling, snijbladen van heggentrimmers of grasmaaimachines, harnassen, versnellingskabels, koolborstels, stroom snoeren, tanden, vilttringen, trekpenen, ventilatoren, blazer- en vacuüm buizen, stofzuigzakken en -riemen, geleiders, zaagkettingen, slangen, connectoren, sproeimonden, wielen, sproeiërs, inwendige spoelen, uitwendige spoelen, maallijnen, boogjes, luchtfilters, gasfilters, struikruimbladen, etc.
- Voor onderhoud moet het product naar een geautoriseerd RYOBI-onderhoudsstation worden gestuurd of gebracht. Een lijst met de adressen van deze stations per land is hier opgenomen. In bepaalde landen verzendt uw plaatselijke RYOBI-verdeler het product naar de RYOBI-onderhoudsorganisatie. Als een product naar een RYOBI-onderhoudsstation wordt gezonden, moet het product veilig zijn verpakt zonder gevaarlijke inhoud, zoals benzine, met aanduiding van het adres van de verzender en met inbegrip van een korte beschrijving van de fout.
- Een reparatie/vervangende onderdelen zijn gratis. Dit heeft geen gevolgen voor de duur van deze garantie of betekent niet dat de garantie wordt verlengd of opnieuw begint. Vervangen onderdelen of werktuigen worden onze eigendom. In bepaalde landen moeten verzendings- of leveringskosten door de verzender worden betaald.
- Deze garantie is geldig in de Europese Unie, Zwitserland, IJsland, Noorwegen, Liechtenstein, Turkije en Rusland. Buiten deze landen neemt u contact op met uw geautoriseerde RYOBI-verdeler om te bepalen of er een andere garantie geldt is.

GEAUTORISEERD ONDERHOUDSCENTRUM

Om een geautoriseerd onderhoudscentrum in uw buurt te vinden, surf u naar <http://uk.ryobitools.eu/header/service-and-support/service-agents>.

PT GARANTIA

Além de qualquer direito estatutário derivado da compra, este produto está coberto com a seguinte garantia.

- O período de garantia é de 24 meses para os consumidores e começa a partir da data de compra do produto. Esta data deve ser comprovada com uma factura ou outra prova de compra. O produto foi desenhado e destinado ao consumidor e apenas para uso privado. Portanto, não se oferece qualquer garantia em caso de uso profissional ou comercial.
- Em alguns casos (como promoções ou um conjunto de ferramentas) existe a possibilidade de ampliar o período de garantia até ao período descrito anteriormente através do registo no website www.ryobitools.eu. A elegibilidade da ferramenta mostra-se claramente nas lojas ou na embalagem. O utilizador final deve registar as suas ferramentas recém-adquiridas on-line nos 8 dias seguintes à data de compra. O utilizador final poderá registar-se para ampliar a garantia no seu país de residência se este aparecer no formulário de registo on-line em que esta opção é válida. Além disso, os utilizadores finais devem dar o seu consentimento para se guardarem os dados que se solicitam para entrar on-line e aceitar os termos e condições. A confirmação de registo, que será enviada por correio electrónico, e a factura original que mostre a data de compra servirão como prova da ampliação da garantia. Os seus direitos estatutários permanecerão intactos.
- A garantia cobre, durante o período de garantia, todos os defeitos do produto que se devam a falhas da mão-de-obra ou a falhas do material na data de compra. A garantia tem um limite de reparação ou substituição e não inclui qualquer outra obrigação que se deva a, embora sem se limitar a tal, danos acidentais ou incidentais. A garantia não é válida se se fez um uso inadequado do produto, se não se usou seguindo o manual de instruções ou se foi ligado incorrectamente. Esta garantia não se aplica a:
 - qualquer dano do produto derivado de uma manutenção inadequada
 - qualquer produto que tenha sido alterado ou modificado
 - qualquer produto em que as marcas de identificação originais (marca comercial, número de série) tenham sido apagadas, modificadas ou eliminadas
 - qualquer dano causado por incumprimento do manual de instruções
 - qualquer produto que no seja CE
 - qualquer produto que um profissional não qualificado tenha tentado reparar ou sem uma autorização prévia de Techtron Industries
 - qualquer produto ligado a um fornecimento eléctrico inadequado (ampérios, tensão, frequência)
 - qualquer produto utilizado com uma mistura de combustível inadequada (combustível, óleo, percentagem de óleo)
 - qualquer dano causado por influências externas (de produtos químicos, danos físicos, descarga eléctrica) ou substâncias estranhas
 - desgaste ou ruptura normal das peças de substituição
 - uso inadequado, sobrecarga da ferramenta
 - uso de acessórios ou peças não homologadas
 - carburador após 6 meses, ajustes do carburador após 6 meses
 - componentes (peças e acessórios) sujeitos a um desgaste ou ruptura natural, incluindo, embora sem se limitar a tal, os botões de embate, correias de transmissão, embraiagem, lâminas de corta-arbustos ou corta-relvas, arneses, acelerador, escovas de carvão, cabo de alimentação, forquilhas, anilhas de feltro, passadores de gancho, ventiladores, tubos de ventilador e de vácuo, correias e bolsas de vácuo, barras de guia, serras de cadeia, mangueiras, acessórios de ligação, boquilhas pulverizadoras, rodas, varas borrifadoras, carretes interiores e exteriores, fios de corte, velas, filtros de ar, filtros de gás, lâminas de trituração, etc.
- Para o serviço, o produto deve ser enviado ou entregue num ponto de serviço técnico autorizado RYOBI enumerado para cada país na seguinte lista de moradas de serviço técnico. Em alguns países o seu distribuidor local RYOBI encarrega-se de enviar o produto para a organização do serviço de RYOBI. Ao enviar um produto a um ponto de serviço técnico RYOBI, o produto deve ser embalado de forma segura sem que contenha qualquer substância perigosa como petróleo, deve levar a morada do remetente e ir acompanhado de uma breve descrição da falha.
- Uma reparação/substituição dentro desta garantia realiza-se de forma gratuita. Não constitui uma ampliação nem um reinício do período de garantia. As peças e ferramentas que se alterem passam a ser da nossa propriedade. Em alguns países os gastos de envio ou da franquia deverá pagá-los o remetente.
- Esta garantia é válida na Comunidade Europeia, Suíça, Islândia, Noruega, Liechtenstein, Turquia e Rússia. Fora destas zonas, entre em contacto com o seu distribuidor autorizado RYOBI para determinar se se aplica outra garantia.

CENTRO DE ASSISTÊNCIA AUTORIZADO

Para encontrar um centro de assistência autorizado próximo de si, visite <http://uk.ryobitools.eu/header/service-and-support/service-agents>.

DA GARANTI

Ud over de lovbestemte rettigheder ved køb, er dette produkt dækket af en garanti som angivet nedenfor.

- Garantien er 24 måneder for forbrugerne og træder i kraft den dato, hvor produktet bliver købt. Denne dato skal dokumenteres af en faktura eller andet købsbevis. Produktet er designet og beregnet til privat brug. Så der er ingen garanti i tilfælde af erhvervs-mæssig brug.
- Der er i visse tilfælde (f.eks. kampagner eller udvalgt produkter) mulighed for at forlænge garantien i perioden beskrevet ovenfor ved at registrere produktet på www.ryobitools.dk. Betingelserne af produktet vises tydeligt i butikker og / eller på emballagen. Slutbrugeren skal registrere hans/hendes nyhvervede produkter online indenfor 8 dage fra købsdatoen. Slutbrugeren kan tilmelde sig den udvidede garanti i sit bopælsland, hvis det er opført på den online tilmeldingsformular. Desuden skal slutbrugere give deres samtykke til lagring af de data, der er nødvendige for at komme ind på nettet, og de er nødt til at acceptere vilkår og betingelser. Kitteringen på modtagelsen af registreringerne, som udsendes via e-mail, og den originale faktura, der angiver købsdatoen, fungerer som bevis på den udvidede garanti. Dine lovbestemte rettigheder forblive uændret.
- Garantien dækker alle fejl ved produktet i løbet af garantiperioden, som kan føres tilbage til fabriktions- eller materialefejl på købsdatoen. Garantien begrænser sig til reparation og/eller udskfiftning og omfatter ikke andre forpligtelser inklusiv, men ikke begrænset til, skader eller folgeskader. Garantien er ikke gyldig, hvis produktet har været udsat for misbrug, anvendelse i strid med brugsanvisningen eller har været tilsuttet forkert. Denne garanti dækker ikke:
 - Enhver skade på produktet som følge af ukorrekt vedligeholdelse
 - Ethvert produkt, som er blevet ændret eller modificeret
 - Ethvert produkt, hvor de originale identifikationsmærker (varemærke, serienummer) er blevet ødelagt, ændret eller fjernet
 - Enhver skade, der skyldes manglende overholdelse af brugsanvisningen
 - Ethvert produkt uden CE-mærkning
 - Ethvert produkt, som har været udsat for forsøg på reparation af en uautoriseret fagmand eller uden accept fra Techtron Industries
 - Ethvert produkt, der har været sluttet til forkert strømforsyning (ampere, spænding, frekvens)
 - Ethvert produkt, der har været anvendt med forkert brændstofblanding (brændstof, olie, olieforhold)
 - Enhver skade, der skyldes udefra kommende påvirkninger (kemisk, fysisk, stød) eller fremmedlegemer
 - Normal slitage på reservedele
 - Forkert anvendelse, overbelastning af produktet
 - Brug af ikke-godkendt tilbehør eller (reserve)dele
 - Karburator efter 6 måneder, karburatorjusteringer efter 6 måneder
 - komponenter (dele og tilbehør), der har været udsat for naturlig slitage, inklusive, men ikke begrænset til, afstandsknopper, drivremme, kobling, klinger på hækklippere eller plæneklippere, seler, gaskabel, kulbrøster, strømforsyningskabel, knive, filtknive, låsestifte, blæseventilatorer, blæse- og indsugningsrør, sugesege og stropper, styresværd, savkæder, slanger, tilslutningsfittings, sprøjtedyser, hjul, sprøjtestave, indvendige hjul, udvendige spoler, skæretråd, tændrør, luftfilter, gasfilter, bioklip-klinger, mv.
- Til servicering skal produktet indleveres til eller forevies og autoriseret RYOBI serviceværksted for det pågældende land. I nogle lande vil din lokale RYOBI-forhandler sende produktet til RYOBI's serviceorganisation. Når et produkt indleveres til et RYOBI serviceværksted, skal det emballeres forsvarligt uden farligt indhold (som f.eks. benzin), være forsynet med afsenderadresse og ledsaget af en kort beskrivelse af fejlen.
- Reparation/udskiftning i henhold til denne garanti er gratis. Den medfører ikke forlængelse eller ny start af garantiperioden. Udskfittede dele eller værktøjer overgår til vores ejendom. I nogle lande skal leveringsomkostninger eller porto betales af afsenderen.
- Denne garanti er gyldig i EU, Schweiz, Island, Norge, Liechtenstein, Tyrkiet og Rusland. Uden for disse områder bedes man venligst kontakte sin autoriserede RYOBI-forhandler for at få opklaret, om evt. andre garantier er gældende.

AUTORISEREDE SERVICEVÆRKSTEDER

Find nærmeste autoriserede serviceværksted på <http://dk.ryobitools.eu/header/service-and-support/service-agents>.

SV GARANTI

Förutom de lagstadgade rättigheter som följer köpet omfattas denna produkt av en garanti som anges nedan.

- Garantitiden är 24 månader för konsumenter och börjar den dag då produkten köptes. Detta datum måste kunna dokumenteras av en faktura eller annat inköpsbevis. Produkten är utformad och avsedd för konsumenter och ska endast användas för privat bruk. Det innebär att ingen garanti lämnas vid yrkesmässig eller kommersiell användning.
- I vissa fall (t.ex. marknadsföring, sortiment av verktyg), finns det en möjlighet att förlänga garantitiden under den period som beskrivs ovan genom registrering på hemsidan www.ryobitools.eu. De verktyg det gäller för framgår tydligt i butiker och/eller på förpackningen. Slut användaren måste registrera sitt nyinköpta verktyg på nätet inom 8 dagar från inköpsdatum. Slut användaren kan registrera sig för den utökade garantitiden i sitt hemland om det framgår på registreringsformuläret online där detta alternativ är giltigt. Dessutom måste slut användarna ge sitt samtycke till lagring av de uppgifter som krävs för att komma in på nätet och de måste godkänna villkoren. Registreringens mottagningsbevis som skickas ut via e-post och den ursprungliga fakturan som visar inköpsdatum fungerar som bevis på förlängd garanti. Dina lagstadgade rättigheter påverkas inte.
- Garantin täcker alla fel på produkten under garantitiden som beror på fel i utförande eller material vid inköpsdatumet. Garantin är begränsad till reparation och/eller utbyte och inkluderar inte några andra åtgärder, inklusive men inte begränsat till oförutsedda skador eller följdskador. Garantin gäller inte om produkten har använts på fel sätt, används på ett sätt som inte följer användarhandboken eller som har anslutits på ett felaktigt sätt. Denna garanti gäller inte för:
 - skador på produkten som beror på felaktigt underhåll
 - om produkten har ändrats eller modifierats
 - en produkt där den ursprungliga identifieringen (varumärke, serienummer) har förstörts, ändrats eller tagits bort
 - skador som orsakas av att användarhandboken inte har följts
 - alla produkter som inte följer CE-bestämmelser
 - en produkt som är icke-kvalificerad yrkesperson eller en person som inte har behörighet från Techntron Industries har försökt att reparera
 - en produkt som ansluts till eluttag (ampere, spänning, frekvens) på fel sätt
 - en produkt som används med olämplig bränsleblandning (bränsle, olja, procent av olja)
 - skador som orsakas av yttre påverkan (kemiska, fysikaliska, stötar) eller främmande ämnen
 - normalt slitage av reservdelar
 - felaktig användning, överbelastning av verktyget
 - användning av icke-godkända tillbehör eller delar
 - förfasare efter 6 månader, justering av förfasare efter 6 månader
 - komponenter (delar och tillbehör) med förbehåll för normalt slitage, inklusive men inte begränsat till stötknappar, drivremmar, koppling, blad av häcksaxar eller gräsklippare, sele, kabelhållare, kolborstar, nätkabel, pinnar, filterbrickor, hitchkopplingar, blåslåtkar, fläkt- och vakuumsör, vakuumsäcka och remmar, ledskenor, sågkedjor, slangar, anslutningar, sprutmunstycken, hjul, sprayanordningar, inre spolar, yttre spolar, skärande linjer, tändstift, luftfilter, gasfilter, märktäckningsblad, osv.
- För service, måste produkten skickas eller presenteras till en RYOBI-godkänd servicecenter som anges för varje land i följande lista med adresser. I vissa länder ombesörjer den lokala RYOBI-återförsäljaren att skicka produkten till RYOBI-serviceorganisationen. När en produkt skickas till en RYOBI-servicecenter, ska produkten förpackas på ett säkert sätt utan farligt innehåll som bensin, märkt med avsändarens adress tillsammans med en kort som beskriver felet.
- En reparation/utbyte som sker under denna garanti är gratis. Den utgör inte en förlängning eller en ny start på garantitiden. Utbyts delar eller verktyg blir vår egendom. I vissa länder måste leveranskostnader eller porto betalas av avsändaren.
- Denna garanti gäller i EU, Schweiz, Island, Norge, Liechtenstein, Turkiet och Ryssland. Utanför dessa områden ska du kontakta din auktoriserade RYOBI-återförsäljare för att avgöra om en annan garanti gäller.

AUKTORISERAT SERVICECENTER

Du hittar närmaste auktoriserade servicecenter genom att gå till <http://uk.ryobitools.eu/header/service-and-support/service-agents>.

FI TAKUU

Hankinnasta kotivien laillisten oikeuksien lisäksi tätä tuotetta hallitsee alla kuvattu takuu.

- Takuukausi on 24 kuukautta kuluttajille ja alkaa tuotteen ostopäivästä. Tämän päivän on oltava merkitty kuittiin tai muuhun todisteeseen hankinnasta. Tämä tuote on suunniteltu ja tarkoitettu ainoastaan kuluttajien yksityiskäyttöön. Ammatti- ja kaupalliseen käyttöön ei näin ollen ole takuuta.
- Joissain tapauksissa (kuten tarjoukset, laitesarjat) takuukautta voidaan pidentää kuvattua kaudta pidemmäksi rekisteröimällä tuote osoitteessa www.ryobitools.eu. Takuun pidentämishoidollisuus ilmoitetaan selkeästi kaupassa ja/tai pakkauksessa. Loppukäyttäjän on rekisteröitävä uusi laitteensa online 8 päivän sisällä sen hankkimisesta. Loppukäyttäjää voi rekisteröityä saadakseen jatkettua takuun asuinmaassaan, jos se mainitaan online-rekisteröintilomakkeessa. Lisäksi, loppukäyttäjän on annettava suostumuksensa tallentaa syötetyt tiedot online, ja hänen on hyväksyttävä ehdot. Sähköpostitse lähetettävä rekisteröintivahvistus ja alkuperäinen kuitti, jossa ilmenee hankintapäivä, toimivat todisteena takuun jatkamisesta. Lailliset oikeutesi eivät muutu.
- Takuu kattaa takuuaikana kaikki tuotteen viat, jotka johtuvat valmistus- tai materiaaliavista hankintapäivänä. Takuu rajoittuu korjaukseen ja/ tai vaihtoon eikä sisällä mitään muita velvoitteita, mukaan lukien mm. suotunnaiset ja seuraamukselliset vauriot. Takuu ei ole voimassa, jos tuotteen on vääriinkäytetty tai käytetty käyttöönsä vastaisesti tai se on kytketty virheellisesti. Takuu ei kata seuraavia:
 - tuotteelle koituneet vahingot, jotka johtuvat virheellisestä ylläpidosta
 - tuote, jota on muunneltu
 - tuote, jossa alkuperäiset tunnistet (tavaramerkki, sarjanumero) ovat turmeltuneet tai niitä on muutettu tai ne on poistettu
 - käyttöoppaan laiminlyönnistä johtuvat vauriot
 - ei-EC-tuotteet
 - tuotteet, joita on yritetty korjata ei-pätevä asentaja tai jonka korjaukselle ei ole saatu Techntron Industriesilta hyväksyntää etukäteen
 - tuotteet, jotka on kytketty vääranlaiseen virtalähteeseen (virta, jännite, taajuus)
 - tuote, jossa on käytetty virheellistä polttoaineseosta (polttoaine, öljy, öljyn osuus)
 - vauriot, jotka johtuvat ulkoisista syistä (kemikaalit, fyysiset tekijät, iskut) tai vieraista aineista
 - normaali varaosien kuluminen
 - virheellinen käyttö, laitteen ylikuormitus
 - muiden kuin hyväksytyjen lisävarusteiden ja osien käyttö
 - kaasutin 6 kuukauden jälkeen, kaasuttimen säätö 6 kuukauden jälkeen
 - komponentit (osat ja lisävarusteet), joihin kohdistuu luonnollista kulumista, mukaan lukien mm. napautusnupit, vetohihnat, kytin, pensastrimmerien ja ruohonleikkurien terät, valjaat, kaapelikaasutin, hiilijarhat, virtajohto, piikit, huopavälilevyt, sokat, puhaltimet, puhallin- ja imuputket, pölynimurin pussit ja hihnat, terälevyt, teräketjut, letkut, liittimet, suuttimet, pyörät, suihkuputket, sisäkelat, ulkoiset kelat, leikkusuimat, sytytystulpat, ilmansuodattimet, polttoainesuodattimet, silppuriterät jne.
- Huollon saaminen edellyttää, että tämä tuote lähetetään tai vietään RYOBI:n valtuuttamaan huoltoon, jonka luettelaa maittain seuraavassa huoltojen osoiteluettelossa. Joissain maissa paikallinen RYOBI-jälleenmyyjä hoitaa tuotteen lähettämisen RYOBI-huoltoon. Kun tuote lähetetään RYOBI-huoltoon, se on pakattava turvallisesti ilman mitään vaarallista sisältöä, kuten bensiniä, siihen on merkittävä lähettäjän osoite ja sen mukana on lähetettävä vian kuvaus.
- Tämän takuun puitteissa tapahtuva korjaaminen/vaihto on ilmaista. Se ei merkitse takuujakson jatkamista tai uuden kauden alkua. Vaihdetuista osista ja laitteista tulee meidän omaisuuttamme. Joissain maissa lähettäjän on maksettava toimituskulut tai postimaksu.
- Tämä takuu on voimassa Euroopan Yhteisössä, Sveitsissä, Islannissa, Norjassa, Liechtensteinissa, Turkissa ja Venäjällä. Jos olet näiden alueiden ulkopuolella, ota yhteys valtuutettuun RYOBI-jälleenmyyjään, joka voi kertoa, onko joku muu takuu voimassa.

VALTUUTETTU HUOLTO

Voit etsiä lähimmän valtuutetun huollon sivulta <http://fi.ryobitools.eu/header/service-and-support/service-agents>.

NO GARANTI

I tillegg til enhver lovbestemt rettighet som følge av dette kjøpet er dette produktet dekket av en garanti som beskrevet nedenfor.

- Garantitiden er 24 måneder for forbrukere, og starter på produktets kjøpsdato. Denne datoen må dokumenteres av faktura eller annet kjøpsbevis. Produktet er konstruert og beregnet på forbrukere og kun privat bruk. Det gis ingen garanti ved profesjonell eller kommersiell bruk.
- Det er, i noen tilfeller, (dvs. markedsføring, serie av verktoy), mulig å utvide garantitiden ut over den perioden som er nevnt ovenfor ved bruk av registrering på nettstedet www.ryobitools.eu/Verktoysets_garantiberetigelse_viss_klart_i_bruktenke_og/eller_pa_emballasjen. Sluttbruker må registrere sitt nylig innkjøpte verktoy på nettet innen 8 dager etter kjøpsdatoen. Sluttbruker kan registrere seg for utvidet garanti i det landet hvor vedkommende bor hvis dette landet er ført opp på nettregistreringsskjemaet hvor dette alternativet er gyldig. Sluttbruker må også gi sin tillatelse til lagring av de data som er påkrevet å registrere på nettet, og må akseptere vilkår og betingelser. Registreringsbekreftelsen, som sendes som epost, og den originale kvitteringen som viser kjøpsdatoen, vil gjelde som bevis på den utvidede garantien. Dine lovbestemte rettigheter vil fortsatt gjelde.
- Garantien gjelder alle defekter på produktet i garantitiden som følge av feil på arbeid eller materialer på kjøpsdatoen. Garantien er begrenset til reparasjon og/eller utskifting av produktet, og inkluderer ingen annen forpliktelse, inklusive men ikke begrenset til tilfellige eller direkte eller indirekte følgeskader. Garantien gjelder ikke dersom produktet er misbrukt, brukt i strid med brukermanualens instruksjoner eller vært feilaktig tilkoblet. Denne garantien gjelder ikke:
 - enhver skade på produktet som følge av utilstrekkelig vedlikehold
 - et produkt som er endret eller modifisert
 - ethvert produkt hvor original identifikasjonsmerker (varemerke, serienummer) er tildekket, endret eller fjernet
 - enhver skade som følge av at instruksjoner i brukermanual ikke er fulgt
 - ethvert ikke-CE-produkt
 - ethvert produkt som er forsøkt reparert av en ukvalifisert person, eller uten forutgående tillatelse av Techtronic Industries
 - ethvert produkt som er tilkoblet uriktig strømkilde (ampere, spenning, frekvens)
 - ethvert produkt som er brukt med feil drivstoffblandning (drivstoff, olje, prosentvis andel olje)
 - enhver skade forårsaket av eksterne påvirkninger (kjemiske, fysiske eller slag) eller fremmede substanser
 - normal slitasje på reservedeler
 - feilaktig bruk, overbelastning av verktøyet
 - bruk av ikke godkjent tilbehør eller reservedeler
 - forgasser etter 6 måneder, forgasserjusteringer etter 6 måneder
 - komponenter (deler og tilbehør) gjenstand for naturlig slitasje, inklusive men ikke begrenset til dunkeknotter, drivreimer, clutch, kniver på hekklippere eller gressklippere, seler, gasswire, karbonbørster, elektriske ledninger, tenner, filt-pakninger, skaftpinner, blåsevisfer, blåse- og sugeslang, opsamlingsposer, motorsagsverd, sagkjeder, slanger, tilkoblingsdeler, sprøytedyser, hjul, sprøytestaver, innvendige ruller, utvendige spoler, klippesnorer, tennplugg, luftfiltre, gassfiltre, oppkappingsblader, etc.
- For ettersyn og reparasjoner må produktet leveres til et RYOBI- autorisert servicecenter ført opp for det enkelte land i følgende liste av servicestasjonadresser. I noen land vil din lokale RYOBI-forhandler sørge for å sende produktet til RYOBI's serviceorganisasjon. Når et produkt sendes til en RYOBI servicestasjon må produktet være forsvarlig emballert uten farlig innhold som bensin, merket med senders navn og adresse og medsendt en kort beskrivelse av feilen.
- En reparasjon/utskifting i henhold til denne garantien er gratis. Den representerer ikke en forlengelse av garantiperioden eller en ny start på garantiperioden. Utskiftede deler eller verktøy blir vår eiendom. I noen land vil leveringskostnader eller porto måtte betales av sender.
- Denne garantien er gyldig i EU, Sveits, Island, Norge, Liechtenstein, Tyrkia og Russland. Utenfor disse områdene ber vi om at du kontakter en autorisert Ryobi-forhandler for å finne ut om en annen garanti gjelder.

AUTORISERT SERVICECENTER

For å finne et autorisert servicecenter i nærheten, gå til <http://no.ryobitools.eu/header/service-and-support/service-agents>.

RU ГАРАНТИЯ

В дополнение к законным правам, вытекающим из факта покупки, на данный продукт распространяются следующие гарантийные обязательства.

- Гарантийный период составляет 24 месяца для покупателей и начинается с даты приобретения продукта. Дата приобретения подтверждается документально товарным чеком или другим доказательством покупки. Данный продукт предназначен для использования только в личных целях. Гарантия не предоставляется в случае профессионального или коммерческого использования данного продукта.
- В некоторых случаях (например, при продвижении продукта, приобретении некоторых видов инструментов) возможно продление гарантийного срока при регистрации продукта на веб-сайте www.ryobitools.eu. Применимость продукта разъясняется в магазинах при продаже и/или на упаковке продукта. Конечному пользователю следует зарегистрировать вновь приобретенный инструмент через Интернет в течение 8 дней с даты покупки. Конечный пользователь может зарегистрировать продукт для получения расширенной гарантии в стране проживания, если данная возможность предоставляется интернет-формой регистрации. Также, конечный пользователь должен дать свое согласие на хранение данных, требуемых при заполнении формы через Интернет, и принять условия соглашения. Уведомление о продлении регистрации, отправляемое по электронной почте, и оригинальный товарный чек с датой покупки служат доказательством расширенной гарантии. Законные права потребителя при этом остаются в силе.
- Данная гарантия распространяется на все дефекты продукта, связанные с производственным браком или браком материалов в момент приобретения, в течение гарантийного периода. Данная гарантия ограничивается ремонтом и/или заменой и не включает другие обязательства, в том числе, связанные с побочным или косвенным ущербом. Гарантия недействительна в случае ненадлежащего использования, использования с нарушением инструкций руководства по эксплуатации или неправильного подключения продукта. Гарантия недействительна, если:
 - повреждение продукта вызвано ненадлежащим техническим обслуживанием
 - продукт подвергся изменениям или был модифицирован
 - оригинальная маркировка (товарный знак, заводской номер) неудобочитаема, изменена или удалена
 - повреждение вызвано несоблюдением инструкций данного руководства
 - отсутствует маркировка CE
 - была попытка отремонтировать продукт неквалифицированным лицом или без предварительного согласования с компанией Techtronic Industries
 - продукт подключался к ненадлежащему источнику питания (ненадлежащая сила тока, напряжение, частота)
 - продукт использовался с неподходящей топливной смесью (топливо, масло, процент содержания масла)
 - повреждение вызвано внешним воздействием (химические, физические, удары) или посторонними веществами
 - это связано с нормальным износом заменяемых деталей
 - это связано с ненадлежащим использованием, перегрузкой инструмента
 - это связано с использованием нерекондованных принадлежностей или деталей
 - карбюратор использовался свыше 6 месяцев, регулировка карбюратора после 6 месяцев
 - компоненты (детали и принадлежности) подверженные естественному износу, в том числе, колпачки, приводные ремни, муфта, режущие полотна шпательных ножей или газожестколок, режущие ремни, тросик дроссельной заслонки, угольные щетки, кабель питания, фрезы, фетровые прокладки, шпильки, крыльчатки, выпускные и всасывающие трубы, мешок для мусора и ремешки, пыльные шины, пыльные щетки, шланги, соединительные фитинги, распылительные насадки, колеса, распылители, внутренние бобины, внешние бобины, режущие струны, свечи зажигания, воздушные фильтры, газовые фильтры, механизмы для мульчирования и т.п.
- Для проведения технического обслуживания продукт следует представить в официальный центр технического обслуживания компании RYOBI в соответствии со списком по каждой стране. В некоторых странах дилерам компании RYOBI требуется пересылка продукта в соответствующий сервисный центр компании RYOBI. При отправке продукта в центр технического обслуживания RYOBI, продукт следует упаковать надлежащим образом со содержания любых опасных веществ (таких как бензин) с указанием адреса отправителя и кратким описанием неисправности.
- Ремонт/замена продукта по условиям данной гарантии осуществляются бесплатно. В данном случае не предусмотрено продление срока гарантии или начало нового гарантийного периода. Заменяемые детали или инструмент становятся собственностью компании. В некоторых странах оплата доставки и почтовые расходы ложатся на отправителя.
- Данная гарантия действительна в странах ЕС, Швейцарии, Исландии, Норвегии, Финляндии, Турции и России. Для получения информации о применении данной гарантии в других регионах обращайтесь с официальному дилеру компании RYOBI.

УПОЛНОМОЧЕННЫЙ СЕРВИСНЫЙ ЦЕНТР

Чтобы найти ближайший уполномоченный сервисный центр, обратитесь к веб-сайту <http://uk.ryobitools.eu/header/service-and-support/service-agents>.

PL GWARANCJA

Opócz wszelkich praw ustawowych wynikających z zakupu, ten produkt jest objęty gwarancją jak podano poniżej.

- Okres gwarancji wynosi 24 miesiące dla konsumentów i rozpoczyna się w dniu, w którym produkt został zakupiony. Ta data musi być udokumentowana przez fakturę lub inny dowód zakupu. Produkt został zaprojektowany i jest przeznaczony wyłącznie do użytku konsumencijskiego i prywatnego. W związku z tym gwarancja nie jest udzielana w przypadku zastosowań profesjonalnych i komercyjnych.
- Nie ma, w niektórych przypadkach (promocja tj. zakres narzędzi), możliwość przedłużenia okresu gwarancji w okresie opisanym powyżej przy rejestracji na stronie internetowej www.ryobitools.eu. Kwalifikowalność narzędzia jest wyraźnie określona w sklepach oraz/lub na opakowaniu. Użytkownik końcowy musi zarejestrować swoje nowe zakupione narzędzia online w ciągu 8 dni od daty zakupu. Użytkownik końcowy może zarejestrować się w celu rozszerzenia gwarancji w swoim kraju zamieszkania, jeśli jest on wymieniony w formularzu rejestracji online, kiedy ta opcja jest ważna. Ponadto użytkownicy końcowi muszą wyrazić zgodę na przechowywanie danych, które są wymagane do zalogowania online oraz muszą zaakceptować regulamin. Otrzymanie potwierdzenia rejestracji, które jest wysyłane na adres e-mail oraz oryginalna faktura z podaną datą zakupu będą służyły jako dowód przedłużonej gwarancji. Twoje prawa ustawowe pozostają nienaruszone.

Gwarancja obejmuje wszystkie wady produktu w okresie gwarancyjnym, spowodowane usterkami w wykonaniu lub materiale w chwili nabycia. Gwarancja jest ograniczona do naprawy oraz/lub wymiany i nie obejmuje żadnych innych obowiązków w tym m.in. odpowiedzialności za szkody przypadkowe lub wtórne. Gwarancja nie jest ważna, jeśli produkt był użytkowany w niewłaściwy sposób, był wykorzystywane w sposób niezgodny z instrukcją obsługi lub był nieprawidłowo podłączony. Ta gwarancja nie obejmuje:

- uszkodzenia produktu, które jest wynikiem nieprawidłowej konserwacji
 - produktu, który został przerobiony lub zmodyfikowany
 - produktu, w którym zmiekszczone, zmieniono lub usunięto oryginalne oznaczenia (nazwę handlową, numer seryjny)
 - uszkodzeń spowodowanych nieprzestrzeganiem instrukcji obsługi
 - produktu bez certyfikatu CE
 - produktu, który był naprawiany przez niewykwalifikowaną osobę lub bez uprzedniej autoryzacji firmy Techtron Industries
 - produktu podłączonego do nieprawidłowego źródła zasilania (napięcie, napięcie, częstotliwość)
 - produktu używanego z nieprawidłową mieszanką paliwa (paliwo, olej, zawartość procentowa oleju)
 - uszkodzeń spowodowanych przez przez czynniki zewnętrzne (chemiczne, fizyczne, uderzenia) lub obec substancje normalnego zużycia części zamiennych
 - niewłaściwego użytkowania, przecięcia narzędzia
 - stosowania niezatwierdzonych akcesoriów lub części
 - gaźnika po 6 miesiącach, regulacji gaźnika po 6 miesiącach
 - elementów (części i akcesoriów) podlegających naturalnemu zużyciu, m.in. galek odbojnikowych, pasów napędowych, sprężla, ostrego noża do żywopłotów lub kosiarzek, uprząży, przepustnicy, szcotek węglowych, przewodu zasilającego, zębów, podkładek filcowych, sworzní zaczeppu, wentylatorów dmuchawy, przewodów dmuchawy i podciśnieniowych, worków próżniowych i pasków, prowadnic, łańcuchów piłarki, przewodów, mocowań złączy, dyszy rozpylających, kółek, lancy rozpylających kat., dmuchawy, dmuchawy i rury próżniowe, torebki próżniowe i paski, prowadnice, bębnowe wewnętrznych, szpul zewnętrznych, żyłki tnącej, świec zapłonowych, filtrów powietrza, filtrów gazu, ostrego do ściółkowania itp.
- W celu serwisowania produktu należy wysłać lub okazać w autoryzowanym centrum serwisowym RYOBI wymienionym dla każdego kraju na poniższej liście adresów stacji serwisowych. W niektórych krajach lokalny dealer firmy RYOBI zobowiązuje się wysłać produkt do centrum serwisowego firmy RYOBI. W przypadku wysyłki produktu do centrum serwisowego RYOBI, produkt należy dobrze zapakować, bez umieszczania żadnych niebezpiecznych rzeczy, tj. paliwa i oznaczyć adresem nadawcy oraz krótkim opisem usterki.
 - Naprawa/wymiana w ramach tej gwarancji jest bezpłatna. Nie stanowi to przedłużenia lub nowego rozpoczęcia okresu gwarancji. Wymianione części lub narzędzia stają się naszą własnością. W niektórych krajach koszty wysyłki lub pocztowe będą musiały być opłacone przez nadawcę.
 - Ta gwarancja obowiązuje na terytorium Wspólnoty Europejskiej, Szwajcarii, Islandii, Norwegii, Liechtenstein, Turcji i Rosji. Poza tymi obszarami należy skontaktować się z autoryzowanym dealerem RYOBI aby sprawdzić, czy dostępna jest jeszcze inna gwarancja.

AUTORYZOWANY PUNKT SERWISOWY

Najbliższy autoryzowany punkt serwisowy można wyszukać w witrynie internetowej <http://uk.ryobitools.eu/header/service-and-support/service-agents>.

CS ZÁRUKA

Navíc k zákonným právům, které vznikají nákupem, je k výrobku poskytována záruka.

- Záruka je období 24 měsíců pro spotřebitele a začíná běžet datem nákupu produktu. Toto datum musí být zadokumentováno fakturou nebo jiným důkazem o koupi. Tento výrobek je určen a vyhrazen jen pro domácí a soukromé používání. Záruka se tedy neposkytuje pro profesionální ani komerční používání.
- Existuje, v některých případech (tj. propagace, určité nástroje), možnost prodloužení doby záruky nad výše uvedené období pomocí registrace na stránkách www.ryobitools.eu. Vhodnost nástroje je jasně vyobrazena v prodejních a/nebo na obalu. Koncový uživatel musí zaregistrovat své nové pořízené nástroje online během 8 dní od data nákupu. Koncový uživatel se může zaregistrovat k prodloužení doby záruky v zemi jeho trvalého bydliště, pokud je uvedeno v online registračním formuláři, kde je tato možnost platná. Navíc musí koncový uživatel poskytnout souhlas s uchováním údajů, které jsou zapotřebí do online registru a musí přijmout podmínky smlouvy. Přijetí potvrzení o registraci, odeslané e-mailem, a originální faktura udávající datum nákupu slouží jako důkaz prodloužené záruky. Vaše zákonná práva zůstávají nedotčena.
- Záruka pokrývá veškeré vady produktu během záruky způsobené vadami při zpracování nebo v materiálu v době nákupu. Záruka se omezuje na opravu a/nebo výměnu a nezahrnuje žádné jiné závazky včetně, ale ne omezeně na související nebo následné škody. Záruka neplatí, pokud, pokud se produkt nesprávně používal, používal v rozporu s návodem nebo byl nesprávně zapojen. Záruku nelze uplatnit v následujících případech:
 - jakákoliv škoda na výrobku v důsledku nesprávné údržby
 - jakýkoliv výrobek byl pozměněn či modifikován
 - jakýkoliv výrobek, kde byly původní identifikační značky (obchodní značka, výrobní číslo) odstraněny, pozměněny či modifikovány
 - jakákoliv škoda způsobená nedodržením návodu k obsluze
 - výrobek nemá značku CE
 - každý výrobek, kde došlo k pokusu jej opravit nekvalifikovanou osobou nebo bez předchozího souhlasu společnosti Techtron Industries
 - každý výrobek byl připojen nesprávnému napájení (proud, napětí, frekvence)
 - každý výrobek, který se používal s nesprávnou palivovou směsí (palivo, olej, podíl oleje)
 - veškeré škody byly způsobeny externími vlivy (chemické, fyzické, nárazy) či cizími látkami
 - běžné opotřebení a spotřební náhradní díly
 - nevhodné používání, přetěžování nástroje
 - použití neschválených doplňků nebo dílů
 - karburátor po 6 měsících, seřízení karburátoru po 6 měsících
 - komponenty (díly a doplňky) podléhající běžnému opotřebení, včetně, ale ne omezeně, nárazových čítaček, hnacích řemenů, spojky, noží plotostřihů či sekaček trávy, postroje, lanka škrtící klapky, uhlikových kartáčů, napájecího kabelu, plechů, plstěných podložek, závlaček, ventilátorů fukaru, hadic fukaru a vysavače, vaku vysavače a popruhu, vodičů lišt, pilových řetězů, hadic, spojovacích tvarovek, rozprašovačích trysek, kol, stříkaček, vnitřních, vnějších civek, sekacích strun, zapalovačích svíček, vzduchových filtrů, spalinyových filtrů, umlčovacích noží atd.
- Pro servis výrobku je třeba zaslat nebo předložit pověřenému servisnímu středisku RYOBI die seznamu adres servisních středisek. V některých zemích váš místní prodejce RYOBI provádí odeslání výrobku servisní organizaci RYOBI. Při zasílání výrobku servisnímu středisku RYOBI by se měl výrobek bezpečně zabalit bez nebezpečného obsahu jako benzín, označit adresu odesílatele a přiložit list krátkým popisem vady.
- Oprava/výměna během záruky je bezplatná. Neznaмена prodloužení ani začátek nového záručního období. Vyměněné díly či nástroje se stávají naším vlastnictvím. V některých zemích doručení či poštovné platí odesílatel.
- Záruka je platná v Evropské unii, Švýcarsku, Islandu, Norsku, Lichtenštejnsku, Turecku a Rusku. U ostatních oblastí prosím kontaktujte pověřeného prodejce RYOBI pro upřesnění, zda platí jiná záruka.

POVĚŘENÉ SERVISNÍ STŘEDISKO

Pro nalezení nejbližšího pověřeného servisního střediska navštivte <http://uk.ryobitools.eu/header/service-and-support/service-agents>.

HU GARANCIA

A vásárlással összefüggő esetleges törvényi adta jogok mellett a termékre az alábbiakban részletezett garancia vonatkozik.

- A garancia időtartama a fogyasztók számára 24 hónap, ami a termék megvásárlásának napjától számítódik. Ezt a dátumot számlával vagy a vásárlást igazoló más dokumentummal kell igazolni. A terméket kizárólag a vevő által, személyes célokra való használatra terveztek és készítették. Ezért a garancia nem vonatkozik a profil általi vagy üzleti célokra való használatra.
- Egyes esetekben (pl. promóció, bizonyos termékcsaládok) lehetőség van a garancia időtartamának a fent leírt garanciaperióduson túli meghosszabbítására a www.ryobitools.eu webhelyen történő regisztrációval. Az, hogy egy adott gép jogosult-e erre, egyértelműen fel van tüntetve a boltokban és/vagy a csomagoláson. A végfelhasználónak a vásárlás napjától számított 8 napon belül regisztrálnia kell az újonnan beszerzett gépet. A végfelhasználó a kiterjesztett garanciáért a lakóhelye szerinti országban regisztrálhat, ha az szerepel az online regisztrációs űrlapon. Emellett a végfelhasználónak hozzá kell járulnia az online belépéshez szükséges adatai tárolásához és el kell fogadnia a szerződési feltételeket. A regisztráció e-mailben küldött visszaigazolása, valamint a vásárlást igazoló eredeti számla szolgálnak a kiterjesztett garancia érvényesítésére. A törvényi adta jogai nem sérülnek.
- A garancia a garancia időtartama alatt a termék összes olyan hibájára kiterjed, amelyek a vásárlás napján is fennálló gyártási vagy anyaghiba miatt következnek be. A garancia javításra és/vagy cserére korlátozódik, és nem tartalmaz további kötelezettséget, beleértve, de nem kizárólag a véletlenszerű vagy következetes károkra vonatkozó kötelezettségeket sem. A garancia nem érvényes a termék helytelen használatára, a használati utasításban leírtakkal ellentétes használatra vagy hibás csatlakoztatás esetén. A garancia nem vonatkozik a következőkre:
 - a termék helytelen karbantartásból eredő esetleges károsodásokra
 - átalakított vagy módosított termékekre
 - olyan termékre, melyen az eredeti azonosító jelöléseket (védjegy, sorozatszám) megrongálták, átalakították vagy eltávolították
 - a használati utasítás be nem tartásával összefüggő károkra
 - a CE minősítéssel nem rendelkező termékekre
 - a nem képzett szakember által vagy a Techtronic Industries előzetes jóváhagyása nélkül javított termékekre
 - a nem megfelelő tápforrásokhoz (áramerősség, feszültség, frekvencia) csatlakoztatott termékekre
 - a nem megfelelő üzemanyag-keverékekkel (üzemanyag, olaj, olajarány) használt termékekre
 - külső hatások (vegyi, fizikai, ütés) vagy idegen anyagok által okozott károsodásokra
 - a cserealkatrészek normál kopására és elhasználódására
 - helytelen használatra, a szerszám túlterhelésére
 - nem jóváhagyott tartozékok vagy alkatrészek használatára
 - a karburátorra 6 hónap elteltével, a karburátor beállítására 6 hónap elteltével
 - Természetes elhasználódásnak és kopásnak kitett összetevőkre (alkatrészek és tartozékok), beleértve de nem kizárólag az ütközőgombokra, hajtószíjakra, tengelykapcsolóra, sövényvágó vagy fűnyíró késeire, vezetékkötegekre, gázkábelekre, szénkéfekre, tápkábelre, kapákra, nemez alátétkarikákra, szvszegekre, fűvágó ventilátoraira, fűvő és vákuumsövekre, szívózsákokra és szíjakra, lánccvetőkre, fűrészlánccokra, tömlőkre, csatlakozókra, szűrőfejekre, kerekekre, lándzsákra, belső orsókra, külső orsókra, vágószálakra, gyújtógyertyákra, légszűrőkre, üzemanyagszűrőkre, tömörítő kapákra stb.
- A szervizeléshez a terméket el kell küldeni vagy be kell mutatni valamelyik hivatalos RYOBI szervizközpontban, melyek elérhetősége az egyes országokban az alábbiakban van megadva. Egyes országokban a RYOBI kereskedő vállalja, hogy elküldi a terméket a RYOBI szervizbe. A terméknek a RYOBI szervizállomásra való küldésekor a termék biztonságosan be kell csomagolni, mindenféle veszélyes anyagot, pl. üzemanyagot el kell távolítani belőle, meg kell adni a feladó címét és a hiba rövid leírását.
- A garancia keretében végzett javítás/cseréje ingyenes. Ugyanakkor ez nem jelenti a garancia időtartamának kiterjesztését vagy új garanciaperiódus kezdetét. A kicsereelt alkatrészek vagy szerszámgepek a mi tulajdonunkban maradnak. Egyes országokban a szállítási vagy a postaköltségeket a feladó fizeti.
- Ez a garancia az Európai Közösségben, Svájcban, Izlandon, Norvégiában, Liechtensteinben, Törökországban és Oroszországban érvényes. Ezen területeken kívül az érvényes garancia-feltételeket illetően lépjen kapcsolatba a hivatalos RYOBI forgalmazóval.

HIVATALOS SZERVIZKÖZPONT

A legközelebbi hivatalos szervizközpont megtalálásához látogasson el a <http://uk.ryobitools.eu/header/service-and-support/service-agents>.

RO GARANȚIE

În plus față de alte drepturi stabilite prin lege, produsul este acoperit de o garanție ce este menționată mai jos.

- Perioada de garanție este de 24 de luni pentru consumatori și începe de la data la care produsul a fost achiziționat. Această dată trebuie să fie dovedită de o factură sau altă dovadă de cumpărare. Produsul este proiectat și dedicat pentru consumatori și doar pentru uz privat. Ca urmare nu există nicio garanție asigurată în caz de folosire profesională sau comercială.
- Există, în anumite cazuri (de ex. promoții, game de produse) o posibilitate de a prelungi perioada de garanție peste perioada descrisă mai sus folosind înregistrarea pe site-ul www.ryobitools.eu. Eligibilitatea aparatului este afișată clar în magazin și/sau ambalaj. Utilizatorul final se poate înregistra pentru o garanție extinsă în țara sa de reședință dacă e listată pe formularul de înregistrare online acolo unde opțiunea este validă. Mai mult, utilizatorul final trebuie să-și dea consimțământul cu privire la păstrarea datelor ce sunt cerute a fi introduse online și trebuie să accepte termenii și condițiile. Notificarea de confirmare a înregistrării, ce este trimisă prin email, și factura originală ce arată data achiziționării vor servi ca dovadă a garanției extinse. Drepturile dvs stabilite rămând neafectate.
- Garanția acoperă toate defectele produsului în timpul perioadei de garanție cauzate de defecte din procesul de producție sau ale materialului la data achiziționării. Garanția este limitată la reparație și/sau înlocuire și nu include alte obligații incluzând dar nelimitându-se la pagube incidentale sau secundare. Garanția nu este validă dacă produsul a fost folosit greșit, folosit contrar instrucțiunilor din manual sau a fost conectat incorect. Această garanție nu se aplică la:
 - orice defecțiune a produsului ca rezultat a întreținerii necorespunzătoare
 - orice produs ce a fost schimbat sau modificat
 - orice produs unde marculaj original de identificare (marcă comercială, număr serie) a fost deteriorat, schimbat sau modificat
 - orice defecțiune cauzată de nerespectarea manualului de instrucțiuni
 - orice produs non CE
 - orice produs care a fost încercat să fie reparat de către o persoană necalificată sau fără autorizare în prealabil de către Techtronic Industries
 - orice produs conectat necorespunzător la sursa de curent (amperi, voltaj, frecvență)
 - orice produs folosit cu amestec necorespunzător de combustibil (combustibil, ulei, procentaj de ulei)
 - orice defecțiune cauzată de influențe externe (chimice, fizice, șocuri) sau substanțe străine
 - uzura normală a pieselor de schimb
 - folosire necorespunzătoare, suprasolicitare a sculei
 - folosire de accesorii și părți neaprobate
 - carburator după 6 luni, reglări ale carburatorului după 6 luni
 - componente (părți și accesorii) subiect a uzurii naturale, incluzând dar nelimitându-se la butoane rotative, curele de distribuție, ambreiaj, lame ale aparatelor de bordurat și tuns iarba, hamuri, cabluri de accelerație, perii de carbon, cabluri electrice, dinți ale furcii, șaibe de pâslă, ventilatoare și tuburi de absorbție, sac vacuum și chingi, bare de ghidare, ferăstraie cu lanț, furtune, fitinguri de conectare, vergele de pulverizat, duze de pulverizat, roți, vergele de pulverizat, bobine interioare, bobine exterioare, fire pentru tăiat, buji, filtre de aer, filtre de gaz, lame protectoare, etc
- Pentru service, produsul trebuie să fie trimis sau prezentat la un punct service RYOBI autorizat listat pentru fiecare țară în următoarea listă cu adrese ale punctelor service. În anumite țări reprezentantul dvs local RYOBI se angajează să trimită produsul la un punct de service RYOBI. Atunci când se trimite un produs la un punct service RYOBI, produsul trebuie să fie împachetat cu grijă fără a conține produse periculoase precum benzină, marcat cu adresa expeditorului și însoțit de o scurtă descriere a defecțiunii.
- Repararea/inlocuirea în timpul garanției este fără niciun cost. Nu constituie o prelungire sau un nou început a perioadei de garanție. Părțile sau aparatele schimbate devin proprietatea noastră. În anumite țări taxele de expediere trebuie să fie plătite de către expeditor.
- Garanția este valabilă în Uniunea Europeană, Elveția, Islanda, Norvegia, Lichtenstein, Turcia și Rusia. În afara acestor zone, va rugăm contactați reprezentantul dvs local autorizat RYOBI pentru a determina dacă se aplică altă garanție.

CENTRU DE SERVICE AUTORIZAT

Pentru a găsi un centru de service autorizat lângă dvs., vizitați <http://uk.ryobitools.eu/header/service-and-support/service-agents>.

LV GARANTĪJA

Papildus visām likumā paredzētajām tiesībām saistībā ar iegādi šim izstrādājumam ir turpinājumā izklāstīta garantija.

- Garantijas periods patērētājiem ir 24 mēneši, un tas sākas izstrādājuma iegādes dienā. Šim datumam ir jābūt dokumentātam rēķinā vai citā iegādi apliecināošā dokumentā. Šis izstrādājums ir izgatavots un paredzēts vienīgi patērētājam un privātai lietošanai. Profesionālas vai komerciālas lietošanas gadījumā garantija nav spēkā.
- Atsevišķos gadījumos (piem., akcija, vairāki instrumenti) pastāv iespēja pagarināt garantijas periodu virs Seiti minētā perioda, reģistrējot to www.ryobitools.eu vietnē. Instrumenta pielietojums ir skaidri norādīts veikalos un/vai uz iepakojuma. Lietotājiem ir jāreģistrē sevi jauniegūtie instrumenti tiešsaistē 8 dienu laikā no iegādes datuma. Lietotājs var reģistrēties pagarinātajai garantijai savā dzīvesvietas valstī, ja tā ir norādīta tiešsaistes reģistrācijas veidlapā, kur pieejama šī iespēja. Turklāt lietotājiem ir jāievada dati tiešsaistē, jādod piekrišana šo datus uzglabāšanai un jāpiekrīt noteikumiem. Saņemtais reģistrācijas apstiprinājums, kas izsūtīts pa e-pastu, un rēķina oriģināls, kurā redzams iegādes datums, ir pagarinātās garantijas pierādījums. Jūsu likumā paredzētās tiesības netiek ietekmētas.
- Garantija attiecas uz visiem izstrādājuma bojājumiem, kas radušies garantijas perioda laikā iegādes dienā esošo izgatavošanas vai materiāla defektu dēļ. Garantija ir ierobežota līdz remontam un/vai nomaigai un neietver citus pienākumus, ieskaitot, bet neaprobežojoties ar neaustu vai netiesīgu zaudējumiem. Garantija nav spēkā, ja izstrādājums ir lietots nepareizi vai neievērojot rokasgrāmatas norādījumus vai tīcis nepareizi savienots. Garantija netiecas uz:
 - izstrādājuma bojājumiem, kas radušies nepareizas apkopes dēļ;
 - izstrādājumiem, kas tikuši pielāgoti vai pārveidoti;
 - izstrādājumiem, kuru oriģinālais identifikācijas marķējums (preču zīme, sērijas numurs) tīcis sabojāts, pārveidots vai noņemts;
 - bojājumiem, kurus izraisījuši rokasgrāmatas norādījumu neievērošana;
 - izstrādājumiem bez CE marķējuma;
 - izstrādājumiem, kurus ir mēģinājis remontēt nekvalificēts speciālists vai kuri remontēti bez Technonic Industries atļaujas;
 - izstrādājumiem, kas tikuši pīvienoti neatbilstoši energopadevei (apmēri, spriegums, frekvence);
 - izstrādājumiem, kuros izmantots nepareizs degvielas maisījums (degviela, eļļa, eļļas daudzums);
 - bojājumiem, kurus izraisījis ārēja iedarbība (ķīmiska, fiziska, triecieni) vai svešas vielas;
 - normālu detaļu nolietojumu un nodilumu;
 - instrumenta nepareizu lietošanu, pārslodzi;
 - neapstiprinātu detaļu un piederumu lietošanu;
 - karburatoru pēc 6 mēnešiem, karburatora regulējumiem pēc 6 mēnešiem;
 - komponentiem (detaļām un piederumiem), kas ir pakļauti dabiskam nodilumam un nolietojumam, ietverot, bet neaprobežojoties ar darbināšanas pogām, piedziņas siksnām, dzīvzoģa trimeru un zāles plāvēju asmeņiem, plecu turētāju, kabeļa droseļi, oglekļa sukām, elektrības vadu, tapām, filca starplikām, sakabes tapām, pūtēja ventilatoriem, pūtēja un vakuuma caurulēm, vakuuma maisiem un lencēm, virzošajiem stieņiem, zāģa ķēdēm, šļūtenēm, savienotāja stiprinājumiem, smidzināšanas sprauslām, riteniem, smidzināšanas nūjām, iekšējiem rulljiem, ārējām spļēm, griešanas auklām, aizdedzes sveceēm, gaisa filtriem, gāzes filtrēm, mulčēšanas asmeņiem u. c.;
- Ja nepieciešams veikt remontu, izstrādājums jānosūta vai jānodod RYOBI pilnvarotam servisa centram, kas norādīts pie attiecīgās valsts servisa centru adresu sarakstā. Atsevišķās valstīs vietējais RYOBI dīleris uzņemas nosūtīt izstrādājumu RYOBI servisa organizācijai. Nosūtīt izstrādājumu RYOBI servisa centram, izstrādājumam jābūt droši iepakotam bez bīstama satura, piemēram, degvielas, marķētam ar sūtītāja adresi un kopā ar īsu aprakstu par defektu.
- Remonts/nomaigā šīs garantijas ietvaros ir bez maksas. Tas nepagarina un neuzsāk jaunu garantijas periodu. Nomainītās detaļas un instrumenti nonāk mūsu īpašumā. Atsevišķās valstīs piegādes maksa un pasta izdevumi jāsedz sūtītājam.
- Šī garantija ir derīga Eiropas Kopienā, Šveicē, Islandē, Norvēģijā, Lihtenšteinā, Turcijā un Krievijā. Ārpus šiem reģioniem, lūdzam, sazināties ar savu pilnvaroto RYOBI dīleri, lai noskaidrotu, vai ir spēkā cita garantija.

AUTORIZĒTS APKALPOŠANAS CENTRS

Lai atrastu tuvāko autorizēto apkalpošanas centru, apmeklējiet <http://uk.ryobitools.eu/header/service-and-support/service-agents>.

LT GARANTĪJA

Be įstatymais nustatytų teisių, įgyjamų nusipirkus šį produktą, produktui taikoma toliau nurodyta garantija.

- Pirkėjams galiojantis garantinis periodas yra 24 mėnesiai ir prasideda nuo produkto pirkimo datos. Data turi būti nurodyta sąskaitoje-faktūroje arba kitame pirmąjį įrodančiame dokumente. Produktas sukurtas ir skirtas tik naudotojui ir tik asmeniniam naudojimui. Todėl garantija netaikoma produktą naudojančiam profesionaliam ar komerciniam tikslais.
- Kai kuriais atvejais yra galimybė pratęsti garantinį laikotarpį iki toliau nurodyto laikotarpio, prieš tai užsiregistravus www.ryobitools.eu svetainėje. Įrankio tinkamumo aiškiai parodytas parduotuvsė ir (arba) ant pakuotės. Galutinai naudojotą turį užregistruoti savo naujai įsigytus įrankius internetu per 8 dienas nuo jų pirkimo datos. Galutinai naudojotąs gali užsiregistruoti dėl garantijos pratęsimo savo šalyje, jei ši pateikta registracijos internetu formoje, kurioje galimas šis pasirinkimas. Be to, galutinai naudojotai privalo duoti savo sutikimą laikyti duomenis, kuriuos reikia įvesti internete, ir jie turi sutikti su sąlygomis ir nuostatomis. Registracijos patvirtinimo pranešimas, išsiunčiamas el. paštu, ir originali sąskaita faktūra, kurioje nurodyta pirkimo data, įrodo pratęstą garantiją. Jūsų įstatymuose nustatytoms teisėms nebus pakenkta.
- Garantiniui laikotarpiui garantija taikoma visiems produkto trūkumams, atsiradusiems dėl prastos darbo kokybės arba prastų produkto medžiagų pirkimo dieną. Garantija taikoma tik taisymsi ir (arba) pakeitimui ir joje nenumatyti jokie kiti įsipareigojimai, įskaitant, bet neapsiribojant atsitiktine ar susijusia žala. Garantija negalioja produktą netinkamai naudojant, priešingai vadove nurodytoms instrukcijoms, arba netinkamai prijungus. Garantija netaikoma šiais atvejais:
 - produktui padarytai žalai netinkamai atliekant produkto techninę priežiūrą;
 - pakeistam arba modifikuotam produktui;
 - bet kokiems produktams, kurių originalios identifikacijos (prekės ženklas, serijos numeris) žymės buvo sugadintos, pakeistos ar pašalintos;
 - bet kokiai žalai, patirtai nesilaikant naudojimo vadovo;
 - bet kokiame CE nepaženkintam produktui;
 - bet kokiame produkte, kurį bandė taisyti nekvalifikuotas specialistas, arba iš anksto negavus „Technonic Industries“ leidimo;
 - bet kokiame produkte, įjungtam į netinkamą tinklą (amperai, įtampa, dažnis);
 - bet kokiame produkte, naudojamam su netinkamu degalų mišinium (degalai, alyva, alyvos procentinis kiekis);
 - bet kokiai žalai, kilusiai dėl išorinio poveikio (cheminis, fizinis poveikis, smūgiai) arba pašalinį medžiagų;
 - įprastam atsarginių dalių dėvėjimuisi;
 - produktą netinkamai naudojant arba jį perkrovus;
 - naudojant nepatvirtintus priedus arba dalis;
 - karbiuratoriumi po 6 mėnesių, karbiuratoriaus reguliavimui po 6 mėnesių;
 - komponentams (dalims ir priedams), kurie dėvisi savaime, įskaitant, bet neapsiribojant iškiliais mygtukai, diržinėmis pavaromis, sankaba, gyvatrosė žirklių arba vejos pjovimo mašinų asmenimis, diržais, kabelio droselei, anglies šepetėliais, maitinimo laidu, virbams, veltinio poveržlėmis, traukimo kaiščiais, pūtimo ventilatoriais, pūstuvu ir siurblio vamzdžiais, siurblio maišeliu ir dirželiais, kreipiamaisiais strypais, pjūklo grandinėmis, žarnelėmis, jungtimis, purkštukais, ratais, purškimo lazdelemis, vidiniais suktuvais, išorinėmis ritėmis, mulčintuvais, uždegimo žvakėmis, oro filtrais, dujų filtrais, mulčiavimo asmenimis ir t. t.;
- Norint atlikti techninį aptarnavimą, produktą reikia nusiųsti arba pristatyti į vieną iš RYOBI įgaliotų techninio aptarnavimo punktų, esančių kiekvienoje šalyje toliau pateiktame aptarnavimo punktų adresų sąrašė. Kai kuriose šalyse jūsų vietinis RYOBI pardavėjas gali nusiųsti produktą į RYOBI techninio aptarnavimo punktą. Siunčiant produktą į RYOBI techninio aptarnavimo punktą, produktą reikia saugiai supakuoti, prieš tai iš jo pašalinus pavojingas medžiagas, pavyzdžiui, benzina, nurodyti siuntėjo adresą ir pridėti trumpą gėdimo aprašymą.
- Pagal šią garantiją taisyms ar keitimo darbai atliekami nemokamai. Garantijoje nenumatytas garantijos pratęsimas ar naujo garantinio laikotarpio pradėjimas. Pakeistos dalys arba įrankiai tampa mūsų nuosavybe. Kai kuriose šalyse pristatymo ar siuntimo paštu išlaidas turi padengti siuntėjas.
- Ši garantija taikoma Europos bendrijoje, Šveicarijoje, Islandijoje, Norvegijoje, Lichtenšteine, Turkojijoje ir Rusijoje. Kitose šalyse kreipkitės į savo įgaliotą RYOBI pardavėją, norėdami sužinoti, ar taikoma kita garantija.

ĮGALIOTAS TECHINIS PRIEŽIŪROS CENTRAS

Jei norite surasti įgaliotą techninės priežiūros centrą netoli Jūsų, apsilankykite interneto svetainėje <http://uk.ryobitools.eu/header/service-and-support/service-agents>.

ET GARANTI

Lisaks ostu puhul kaasnevate seadusjärgsetele õigustele kehtib tootele allpool esitatud tingimustega garanti.

- Ostja poolt ostetud tootele on kehtestatud garantiiperiood 24 kuud ja see hakkab kehtima toote ostmise kuupäeval. See kuupäev on märgitud arvele või muule ostu tõendavale dokumendile. Toode on ette nähtud ostjale ainult isiklikuks kasutamiseks. Kui toodet kasutatakse ametialastel või ärilistel eesmärkidel, siis garanti ei kehti.
- Mõnel juhul (nt reklaam, seadmete seeria) on võimalik pikendada garantiiperioodi pikemaks ajaks kui ülal mainitud, kui kasutatakse registreerimist veebisaidil www.ryobitools.eu kaudu. Registreerimise tingimused on välja pandud kauplustesse ja/või on pakendis. Lõppkasutaja peab oma uued tööriistad veebis registreerima 8 päeva jooksul alates ostukuupäevast. Lõppkasutaja võib registreerida end pikendatud garantiis oma asukohamaal, kui see on esitatud veebis registreerimise loendis, seal kus see valik on olemas. Peale selle, lõppkasutajad peavad andma nõusoleku enda andmete salvestamiseks, mida vajatakse veebi siseneamiseks ja nõustuma esitatud tingimustega. Pikendatud garanti kehtivust tõendab e-postiga saadetud registreerimise kinnitusteade ja algupärase arve, millel on ostukuupäev. Teie seadusjärgsed õigused jäävad mõjutamata.
- Garanti kehtib kõikidele ostukuupäevast kehtima hakkaval garantiiperioodil ilmenud rikete suhtes, mis on tingitud töötlemiss- või materjalvigadest. Garanti on piiratud remondi ja/või asendamisega ja ei sisalda muid kohustusi, kuid mitte ainult, kaasneva või tuleneva kahju eest. Garanti ei kehti, kui toodet on väärkasutatud, kasutusjuhendis nimetatud ostarbele mittevastavalt kasutatud või toode on ebaõigesti ühendatud. See garanti ei rakendu järgmistel juhtudel:
 - tootel on mingi vigastus, mis on põhjustatud ebaõigest kasutamisest,
 - toodet on mingil viisil ümber ehitatud või muudetud,
 - toote algupärane tuvastusmarkering (kaubamärk, seerianumber) on kahjustatud, ümber tehtud või eemaldatud,
 - tootel on mingi vigastus, mis on tingitud kasutusjuhendi mittejälgimisest,
 - toode ei ole CE-märgisega,
 - toodet on püüdnud parandada ebapädev spetsialist või seda on tehtud ilma Techtronic Industries volitusteta,
 - toode on ühendatud selleks mitteetähtsitud elektritoitevõrguga (väär voolu tugevus, pinge või sagedus),
 - tootes on kasutatud mitteetähtsitud kütusesegu (kütus, õli, väär õli vahedord),
 - tootel on vigastus välismõjudest (keemilised või füüsilised mõjud või löögid),
 - toote varuosadel ilmneb tavapärase kulumine,
 - toodet on ebaõigesti kasutatud või üle koormatud,
 - tootel on kasutatud mitteetähtsitud tarvikuid või osi,
 - toote karburaator pärast 6 kuu möödumist, toote karburaatori sätteid pärast 6 kuu möödumist,
 - toote koosteosadel (osad ja tarvikud) ilmneb tavapärase kulumine järgmistel detailidel (kuid mitte ainult): etteandepuud, ajamirihmad, sidur, hekilõikuri või muruniiduki terad, rakmed, gaasitross, süsinikharjad, toitejuhe, piid, viltseibid, vedrutihvid, puhumisventilaatorid, puhuri ja imuri torud, imisüsteemi kottid ja ribad, juhtvardad, saeketid, voolikud, ühendusliitmikud, düüsid, rattad, puhustustorud, sisetrumlid, välispoolid, lõikejõhvid, süüteküünlad, õhufiltrid, gaasifiltrid, multšimisterrad jne.
- Hooldamiseks tuleb toode saata või tuua mõnda RYOBI volitatud hoolduspunkti, mis on esitatud loendis iga riigi jaoks ja milles on hoolduspunkti aadressid. Mõnes riigis kohustub RYOBI edasimüüja saama toote RYOBI hooldusasutusse. Kui toode saadetakse RYOBI hooldusasutusse, tuleb toode turvaliselt ära pakkida ilma, et sellesse jääks ohtlikku sisu, näiteks bensiini ja pakendile tuleb märkida saatja aadress ja riike lühikirjeldus.
- Selle garanti alusel tehtud remont/asendus on tasuta. Sellega ei kaasne garantiiperioodi pikenedmine või uue garantiiperioodi algus. Asendatud osad ja tööriistad jäävad meie omandusse. Mõnes riigis tuleb saate- või postikulud tasuda saatja poolt.
- See garanti kehtib Euroopa Liidus, Šveitsis, Islandil, Norras, Liechtensteinis, Türgis ja Venemaal. Väljaspool neid riike võtke ühendust Ryobi volitatud edasimüüjaga, et teada saada teistsuguste garantiide kehtivust.

VOLITATUD HOOLDUSKESKUS

Oma volitatud hoolduskeskuse leiate veebisaidil <http://uk.ryobitools.eu/header/service-and-support/service-agents>.

HR JAMSTVO

U dodatku svih zakonskih prava koja proizlaze kao rezultat kupnje, ova proizvod pokriven je jamstvom kao što je utvrđeno u nastavku.

- Jamstveno razdoblje je 24 mjeseca za korisnike, a započinje na datum kupnje proizvoda. Ovak datum treba biti dokumentiran računom ili nekim drugim dokazom o kupnji. Proizvod je dizajniran i namijenjen samo za korisnike i osobno korištenje. Stoga nema omeđenoj jamstava u slučaju profesionalnog ili komercijalnog korištenja.
- U nekim slučajevima (primjerice promocije, paleta alata) postoji mogućnost produženog jamstvenog razdoblja preko gore navedenog razdoblja korištenjem registracije na web mjestu www.ryobitools.eu. Sukladnost alata jesno je prikazana u trgovini i/ili na pakiranju. Krajnji korisnik treba registrirati svoje novo pribavljene alate na mreži unutar 8 dana od datuma kupnje. Krajnji korisnik može se registrirati za produženo trajanje jamstva u svojoj zemlji stanovanja ako je navedena na mrežnom obrascu za registraciju gdje je ova opcija valjana. Nadalje, krajnji korisnici moraju dati svoje odobrenje za spremanje podatka koji su potrebni za unos na mreži i moraju prihvatiti uvjete i odredbe. Primitak potvrde o registraciji, koja se šalje e-poštom i originalni račun koji prikazuje datum kupnje služe kao dokaz produženog jamstva. Vaša zakonska prava ostaju nepromijenjena.
- Jamstvo pokriva sve kvarove proizvoda tijekom jamstvenog razdoblja zbog pogreške u izradi ili materijalu na datum kupnje. Jamstvo je ograničeno na popravak i/ili zamjenu i ne uključuje nikakve druge obveze uključujući no ne ograničavajući se na slučajne ili posljedne štete. Jamstvo nije valjano ako je proizvod pogrešno korišten, korišten suprotno od korisničkog priručnika ili je nepravilno priključen. Ovo jamstvo se ne primjenjuje na:
 - svako oštećenje proizvoda koje je rezultat nepravilnog održavanja
 - svaki proizvod koji je izmijenjen ili modificiran
 - svaki proizvod gdje su originalne identifikacijske oznake (zaštitni znak, serijski broj) izbrisane, zamijenjene ili uklonjene
 - svako oštećenje uzrokovano nepridržavanjem korisničkog priručnika
 - svaki proizvod koji nije CE
 - svaki proizvod koji je pokušao popraviti nekvalificirani profesionalac ili bez prethodnog odobrenja od strane Techtronic Industries
 - svaki proizvod priključen na nepravilno napajanje energijom (amper, napon, frekvencija)
 - svaki proizvod korišten s neodgovarajućom mješavinom (gorivo, ulje, postotak ulja)
 - svako oštećenje uzrokovano vanjskim utjecajima (kemijsko, fiziko, udar) ili stranim stvarima
 - normalno trošenje i habanje rezervnih dijelova
 - nepravilno korištenje, preopterećenje alata
 - korištenje neodobrenog dodatnog pribora ili dijelova
 - rasplinjača nakon 6 mjeseci, podešavanje rasplinjača nakon 6 mjeseci
 - komponente (dijelovi i dodatni pribor) koji su predmet prirodnog trošenja i habanja, uključujući no ne ograničavajući se na gumbce za otpuštanje, pogonske remene, spojku, oštrice trimera za grmlje ili kosilicu, kope, sajle gasa, ugljene četke, kabele za napajanje, noževe, podloške, ztike za zglobnu vezu, ventilatore puhalice, cijevi za ispuhivanje i usisavanje, vakuumske vrećice i trake, vodilice, lance pile, crijeva, priključne elemente, mlaznice za raspršivanje, kotače, koplja za raspršivanje, unutarnje kolote, vanjske kaleme, fiksavne, svječice, filtre za zrak, filtre za plin, oštrice za usitrjavanje itd.
- Za servisiranje, proizvod se mora poslati ili predati ovlaštenoj stanici za servis tvrtke RYOBI navedenoj za svaku zemlju u sljedećem popisu adresa stanica za servis. U nekim zemljama vaša lokalni RYOBI zastupnik obavezan je poslati proizvod u servisnu organizaciju tvrtke RYOBI. Prilikom slanja proizvoda u stanicu za servis tvrtke RYOBI, proizvod treba biti sigurno pakiran bez ikakvog opasnog sadržaja poput benzina, s označenom adresom pošiljatelja i pripadajućim kratkim opisom pogreške.
- Popravak/zamjena pod ovim jamstvom se ne naplaćuje. Ne produljuje zakonsko ili ne započinje novo jamstveno razdoblje. Zamijenjeni dijelovi ili alat postaju naše vlasništvo. U nekim zemljama pošiljatelj plaća poštarinu.
- Ovo jamstvo je valjano u Europskoj zajednici, Švicarskoj, Islandu, Norveškoj, Litvenštajnu, Turskoj i Rusiji. Izvan ovih područja molimo vas da kontaktirate vašeg ovlaštenog zastupnika tvrtke RYOBI kako biste odredili ako se primjenjuje druga jamstva.

OVLAŠTENI SERVISNI CENTAR

Za pronalazjenje ovlaštenog servisnog centra pored vas posjetite <http://uk.ryobitools.eu/header/service-and-support/service-agents>.

SL GARANCIJA

Poleg kakršnih koli zakonskih pravic, ki jih pridobite z nakupom, za ta izdelek velja tudi garancija, kot je opisano spodaj.

- Garancijsko obdobje je 24 mesecev za potrošnike in se začne z datumom nakupa. Ta datum mora biti dokumentiran z računom ali drugim dokazilom o nakupu. Izdelek je namenjen in posvečen le potrošniški in zasebni uporabi. Zato garancija ne velja za profesionalno ali komercialno uporabo.
- V nekaterih primerih (npr. promocija, obseg orodij) obstaja možnost podaljšanja garancijskega obdobja prek zgoraj opisane obdobja, kar je mogoče storiti z registracijo na spletnem mestu www.ryobitools.eu. Namen orodja je jasno označen v trgovinah in/ali na embalaži. Končni uporabnik mora svoje novo orodje registrirati prek spleta v 8 dneh od datuma nakupa. Končni uporabnik se lahko registrira za podaljšano garancijo v svoji državi, kjer ima stalno prebivališče, če je država vključena na seznam in obrazcu za registracijo, kjer je ta možnost veljavna. Poleg tega mora končni uporabnik odobriti shranjevanje podatkov, ki so potrebni za spletni vstop, in morajo sprejeti pogoje in določila. Potrnilo o registraciji, ki se pošlje po e-pošti, ter originalni račun, na katerem je naveden datum nakupa, veljata kot dokazilo o podaljšani garanciji. Vaše zakonske pravice ostanejo nespremenjene.
- Garancija krije vse okvare izdelka med garancijskim obdobjem zaradi napak v izdelavi ali materialu na datum nakupa. Garancija je omejena na popravilo/zamenjavo in ne vključuje drugih obveznosti, med drugim ne vključuje obveznosti zaradi nenamerne ali posledične škode. Garancija ni veljavna, če je bil izdelek zlorabljen, uporabljen v nasprotju z navodili za uporabo ali nepravilno priključen. Garancija ne velja:
 - za kakršno koli poškodbo izdelka, ki je posledica neprimernega vzdrževanja,
 - če je bil izdelek spremenjen ali modificiran,
 - če so originalne identifikacijske oznake (blagovna znamka, serijska številka) na izdelku poškodovane, spremenjene ali odstranjene,
 - če je do poškodbe prišlo zaradi neupoštevanja navodil za uporabo,
 - za katere koli izdelke, ki niso skladni z oznako CE,
 - če je izdelek poskusil opraviti neusposobljen strokovnjak ali brez predhodne odobritve družbe Techtron Industries,
 - če je bil izdelek priključen na neustrezno električno omrežje (jakost, napetost, frekvenca),
 - če je bil izdelek uporabljen z neustrezno mešanico goriva (gorivo, olje, odstotek olja),
 - če je do poškodbe prišlo zaradi zunanjih vplivov (kemični, fizični, udarci) ali tujih snovi,
 - za normalno obrabo nadomestnih delov,
 - neustrezne uporabe, preobremenitve orodja,
 - uporabe neodobrenih dodatkov ali delov,
 - za uplinjač po 6 mesecih, prilagoditve uplinjača po 6 mesecih,
 - za sestavne dele (dele in dodatke), ki so podvrženi normalni obrabi, med drugim za vzmetne gumbe, pogonske jermene, sklopko, rezila obrezovalnikov ali kosilnic, nosilni trak, kabelske dušilke, karbonskih krtačk, napajalnega kabla, zobovje, polstene podložke, varnostne zatiče, ventilatorje, puhalne in sesalne cevi, sesalne vreče in trakove, vodila, verige za žage, gibljive cevi, nastavke priključkov, pršilne šobe, kolesa, pršilne palice, notranje kolote, zunanja vretena, rezalne nitke, vzglajne svečke, zračne filtre, plinske filtre, drobilna rezila itd.,
- Za servisiranje je treba izdelek poslati ali prinesiti v pooblaščen servisni center RYOBI, ki je za vsako državo naveden na naslednjem seznamu z naslovi servisnih centrov. V nekaterih državah pošiljanje izdelka servisnemu centru RYOBI prevzame lokalni trgovec z izdelki RYOBI. Za pošiljanje servisnemu centru RYOBI mora biti izdelek varno zapakiran, brez kakršnih koli nevarnih snovi, npr. gorivo, označen z naslovom pošiljatelja, priložen pa mora biti kratek opis napake.
- Popravilo/nadomestilo v sklopu te garancije je brezplačno. Ne pomeni podaljšanja ali novega začetka garancijskega obdobja. Zamenjani deli ali orodja postanejo naša last. V nekaterih državah mora stroške pošiljanja ali dostave poravnati pošiljatelj.
- Ta garancija je veljavna v Evropski skupnosti, Švici, na Islandiji, Norveškem, v Liechtensteinu, Turčiji in Rusiji. Izven teh področij stopite v stik s pooblaščenim trgovcem RYOBI, da ugotovite, ali velja katera druga garancija.

POOBLAŠČEN SERVISNI CENTER

Pooblaščen servisni center blizu vas poiščite na <http://uk.ryobitools.eu/header/service-and-support/service-agents>.

SK ZÁRUKA

Okrem zakónnych práv vyplývajúcich zo zakúpenia je tento produkt pokrytý zárukou, ako je uvedené nižšie.

- Záručná doba pre spotrebiteľa je 24 mesiacov a začína dňom zakúpenia produktu. Tento dátum musí byť zdokumentovaný faktúrou alebo iným dokladom o kúpe. Tento produkt je navrhnutý a určený len na spotrebiteľné a osobné použitie. Takže v prípade profesionálneho alebo komerčného použitia neplatí žiadna záruka.
- V niektorých prípadoch (napr. reklamná akcia, rad produktov) existuje možnosť predĺženia záručnej doby nad dobu uvedenú vyššie pomocou registrácie na webovej stránke www.ryobitools.eu. Spôsobilosť nástroja je zreteľne zobrazená v obchodoch a ba obale. Koncový používateľ si musí zaregistrovať svoje novonadobudnuté nástroje online do 8 dní odo dňa zakúpenia. Koncový používateľ sa môže zaregistrovať za účelom získania predĺženej záruky vo svojej krajine, ak je uvedená v online registračnom formulári, kde je táto možnosť platná. Okrem toho musia koncoví používatelia poskytnúť súhlas k uloženiu údajov, ktoré sa zadávajú online a musia súhlasiť so zmluvnými podmienkami. Doklad s potvrdením o registrácii, ktorý posielame prostredníctvom e-mailu a originál faktúry s uvedeným dátumom zakúpenia slúžia ako dôkaz predĺženej záruky. Vaše zákonné práva ostávajú nedotknuté.
- Táto záruka pokrýva všetky poruchy produktu počas záručnej doby, ktoré vznikli následkom nedostatkov vo vypracovaní alebo materiáli v deň zakúpenia. Táto záruka je obmedzená na opravu alebo výmenu a nezahŕňa ďalšie povinnosti, napríklad vedľajšie alebo následné škody. Táto záruka je neplatná, ak bol produkt požívaný nesprávne, používaný v rozpore s návodom na použitie alebo nesprávne pripojený. Táto záruka sa nevzťahuje na:
 - akékoľvek poškodenie produktu, u ktorého došlo následkom nesprávnej údržby
 - akýkoľvek produkt, ktorý bol pozmenený alebo upravený
 - akýkoľvek produkt, na ktorom boli poškodené pozmenené alebo odstránené originálne identifikačné znaky (obchodná známka, sériové číslo)
 - akékoľvek poškodenie spôsobené následkom nedodržania návodu na použitie
 - akýkoľvek produkt iný ako CE
 - akýkoľvek produkt, o ktorého opravu sa pokúšal nekvalifikovaný odborník alebo v prípade opravy bez predchádzajúceho oprávnenia od spoločnosti Techtron Industries
 - akýkoľvek produkt pripojený k nesprávnejmu napájaciemu zdroju (prúd, napätie, frekvencia)
 - akýkoľvek produkt používaný s nevhodnou palivovou zmesou (palivo, olej, percento oleja)
 - akékoľvek poškodenie spôsobené vonkajšími vplyvmi (chemické, fyzické, nárazy) alebo cudzími látkami
 - bežné opotrebenie náhradných dielov
 - nesprávne používanie a preťažovanie nástroja
 - používanie neschváleného príslušenstva alebo dielov
 - karburátor po 6 mesiacoch, úpravy karburátora po 6 mesiacoch
 - komponenty (diely a príslušenstvo), ktoré podliehajú prirodzenému opotrebeniu, napríklad pružinové tlačidlá, hnacie remene, spojka, ostria strihača živého plotu alebo kosačky trávy, postroj, ťahadlo škrtiacej klapky, uhlíkové kefky, napájací kábel, končeky, plstené podložky, koľky s háčikom, ventilátory dýchadla, rúrky dýchadla a vysávača, vrecko a remene vysávača, vodiace líšty, pilové rezače, hadice, konektorové armatúry, rozprašovacie trysky, kolieska, striekacie tyče, vnútorné navijaky, vonkajšie cievky, rezné drôty, zapalovacie svečky, vzduchové filtre, benzínové filtre, mulčovacie ostria a pod.
- Na servis sa musí produkt odoslať alebo predložiť autorizovanému servisnému centru RYOBI uvedenému pre každú krajinu v nasledujúcom zozname adries servisných staníc. V niektorých krajinách pošle produkt do servisnej organizácie RYOBI váš miestny predajca produktov RYOBI. Pri odosielaní produktu do servisnej stanice RYOBI musí byť produkt bezpečne zabalený bez akéhokoľvek nebezpečného obsahu, napríklad paliva, označený adresou odosielaťa a musí byť k nemu priložený krátky popis poruchy.
- Oprava či výmena v rámci tejto záruky je bezplatná. Nevyplyva z nej predĺženie či nový začiatok záručnej doby. Výmenené diely alebo nástroje sa stávajú našim majetkom. V niektorých krajinách doručovací poplatok alebo poštovné platí odosielať.
- Táto záruka je platná v Európskej únii, Švajčiarsku, na Islande, v Nórsku, Lichtenštajnsku, Turecku a Rusku. Mimo týchto oblastí kontaktujte autorizovaného predajcu spoločnosti Ryobi, u ktorého zistíte, či platí nejaká iná záruka.

AUTORIZOVANÉ SERVISNÉ CENTRUM

Ak chcete nájsť najbližšie autorizované servisné centrum, navštívte stránku <http://uk.ryobitools.eu/header/service-and-support/service-agents>.



BG ГАРАНЦИЯ

В допълнение към законоустановените права, произтичащи от покупката, този продукт е обхванат от гаранция, както е изложено по-долу.

1. Гаранционният срок е 24 месеца за клиенти и започва да тече от деня на закупуване на продукта. Тази дата трябва да се докаже с фактура или друго доказателство за покупка. Продуктът е изработен и предназначеният само за потребителска и лична употреба. Следователно не се дава гаранция в случай на използване от професионалисти или с търговска цел.
2. В някои случаи (като промоция, гама инструменти) съществува възможност за удължаване на гаранционния срок след изтичането на описания тук чрез регистрация на уеб сайта www.ryobitools.eu. Дали инструментът отговаря на условията за такова удължаване, ясно показано в магазини и/или върху опаковката. Крайният потребител трябва да регистрира своите новопридобити инструменти онлайн в рамките на 8 дни от датата на покупка. Крайният потребител може да се регистрира за удължена гаранция в държавата си на пребиваване, ако е посочена във формуляра за онлайн регистрация като място, където тази опция е валидна. Освен това крайните потребители трябва да дадат съгласието си за съхранение на данните, които са задължителни за ползване онлайн, и трябва да приемат общите условия. Полученото потвърждение за регистрация, изпратено по имейл, и оригиналната фактура, показваща датата на покупка, ще служат като доказателство за удължената гаранция. Законоустановените Ви права остават незасегнати.
3. Гаранцията покрива всички дефекти на продукта по време на гаранционния срок, които се дължат на проблеми в изработката или материалите към момента на покупката. Гаранцията е ограничена до ремонт и/или замяна и не включва други задължения, включително, но не само, случайни или закономерни щети. Гаранцията е невалидна, ако продуктът е използван неправилно или в противоречие с ръководството с инструкции, както и ако е свързан неправилно. Тази гаранция не важи за:
 - щети по продукта в резултат на неправилна профилактика;
 - продукти, които са били изменени или модифицирани;
 - продукт, при който оригиналните маркировки за идентификация (търговска марка, сериен номер) са изтрети, променени или премахнати;
 - повреда, причинена от неспазване на ръководството с инструкции;
 - продукт без CE маркировка;
 - продукт, за който е направен опит за ремонт от некавалифициран специалист или без предварително разрешение от Techtronic Industries;
 - продукт, свързан към неподходящо електрозахранване (ампераж, волтаж, честота);
 - продукт, използван с неподходяща горивна смес (гориво, масло, процент масло);
 - щети, причинени от външни влияния (химични, физични, удари) или чужди вещества;
 - нормално износване на резервни части;
 - неподходяща употреба, претоварване на инструмента;
 - използване на neodобрени аксесоари или части;
 - карбуратора след 6 месеца, настройки на карбуратора след 6 месеца;
 - компоненти (част и аксесоари), подложени на естествено износване, включително, но не само, копчага за тласкане, задвижващи ремъци, съединител, остриета на ножци за жив плет, косачки, самар, кабелен дросел, карбонови четки, захранващ кабел, остриета, филцови шайби, осигурителни шифтове, вентилатори на уреди за обдуване, тръби за обдуване и всмукване, торба за отпадъци и ремъци, водеща шина, вериги за триони, маручки, фитинги на конектори, дюзи, колела, пръскалки, вътрешни и външни макари, режещо влакно, запалителни свещи, въздушни филтри, горивни филтри, остриета за мулчиране и т.н.
4. За обслужване продуктът трябва да се изпрати или занесе на оторизиран сервиз на RYOBI, посочен за всяка държава в следния списък с адреси на сервиси. В някои държави местният търговец на RYOBI поема да изпрати продукта до сервизен център на RYOBI. При изпращане на продукт до сервиз на RYOBI продуктът трябва да е опакован безопасно без опасно съдържание, като бензин, да е маркиран с адреса на подателя и придружен от кратко описание на повредата.
5. Ремонтът или замяната по силата на тази гаранция са безплатни. Те не водят до удължаване или подновяване на гаранционния срок. Сменените части или инструменти стават наша собственост. В някои държави таксите за доставка или изпращане трябва да се платят от подателя.
6. Тази гаранция е валидна в Европейската общност, Швейцария, Исландия, Норвегия, Лихтенщайн, Турция и Русия. Извън тези области се свържете с упълномощения търговец на RYOBI, за да се установи дали са приложими други гаранции.

УПЪЛНОМОЩЕН СЕРВИЗЕН ЦЕНТЪР

За да намерите упълномощен сервизен център близо до вас, посетете <http://uk.ryobitools.eu/header/service-and-support/service-agents>.

EN EC DECLARATION OF CONFORMITY

Techtronic Industries GmbH
Max-Eyth-Straße 10, 71364 Winnenden, Germany

Herewith we declare that the product

Petrol Chainsaw
Brand: Ryobi
Model number: RCS3835T/RCS3840T
Serial number range:
RCS3835T 44445301000001 - 44445301999999
RCS3840T 44445401000001 - 44445401999999

is in conformity with the following European Directives and harmonised standards

2006/42/EC, 2004/108/EC, 2000/14/EC, 2005/88/EC, 97/68/EC as last amended 2012/46/EU
EN ISO 11681-1:2011,
EN ISO 14982:2009

Measured sound power level: 108.94 dB(A)
Guaranteed sound power level: 112 dB(A)
Conformity assessment method to Annex V Directive 2000/14/EC amended by 2005/88/EC

Notified body, 0197 TÜV Rheinland LGA Products GmbH; Tillystraße 2 D - 90431 Nürnberg, Germany has carried out EC type approval, and the certificate number is : BM 50307537 0001

CE

Floyd Jeffrey Nesom (BSME)
Senior Director of Engineering
Winnenden, May, 29, 2015

Authorised to compile the technical file:
Alexander Krug, Managing Director
Techtronic Industries GmbH
Max-Eyth-Straße 10, 71364 Winnenden, Germany

FR DÉCLARATION DE CONFORMITÉ EC

Techtronic Industries GmbH
Max-Eyth-Straße 10, 71364 Winnenden, Germany

Déclarons par la présente que le produit

Tronçonneuse à chaîne
Marque: Ryobi
Numéro de modèle: RCS3835T/RCS3840T
Étendue des numéros de série:
RCS3835T 44445301000001 - 44445301999999
RCS3840T 44445401000001 - 44445401999999

est conforme aux Directives Européennes et Normes Harmonisées suivantes

2006/42/EC, 2004/108/EC, 2000/14/EC, 2005/88/EC, 97/68/EC
modifiée par 2012/46/EU
EN ISO 11681-1:2011,
EN ISO 14982:2009

Niveau de puissance sonore mesuré: 108.94 dB(A)
Niveau de puissance sonore garanti: 112 dB(A)
Procédure de vérification de conformité à l'Annexe V de la Directive 2000/14/EC, modifiée par 2005/88/EC.

L'organisme notifié, 0197 TÜV Rheinland LGA Products GmbH; Tillystraße 2 D - 90431 Nürnberg, Germany a validé la conformité EC, et le No de certificat est. BM 50307537 0001.

CE

Floyd Jeffrey Nesom (BSME)
Directeur Principal de l'ingénierie
Winnenden, May, 29, 2015

Autorisé à rédiger le dossier technique:
Alexander Krug, Managing Director
Techtronic Industries GmbH
Max-Eyth-Straße 10, 71364 Winnenden, Germany

DE EC KONFORMITÄTSERKLÄRUNG

Techtronic Industries GmbH
Max-Eyth-Straße 10, 71364 Winnenden, Germany

Hiermit erklären wir, dass die Produkte

Benzin-kettensäge
Marke: Ryobi
Modellnummer: RCS3835T/RCS3840T
Seriennummernbereich:
RCS3835T 44445301000001 - 44445301999999
RCS3840T 44445401000001 - 44445401999999

mit den folgenden europäischen Richtlinien und harmonisierten Normen entspricht

2006/42/EC, 2004/108/EC, 2000/14/EC, 2005/88/EC, 97/68/EC
geändert durch 2012/46/EU
EN ISO 11681-1:2011,
EN ISO 14982:2009

Gemessener Schalleistungspegel: 108.94 dB(A)
Garantierter Schalleistungspegel: 112 dB(A)
Konformitätsbeurteilungsmethode zu Anhang V Richtlinie 2000/14/EC geändert durch 2005/88/EC.

Benannte Stelle, 0197 TÜV Rheinland LGA Products GmbH; Tillystraße 2 D - 90431 Nürnberg, Germany hat die EC Typen-Überprüfung durchgeführt und die Zertifikatnummer lautet. BM 50307537 0001.

CE

Floyd Jeffrey Nesom (BSME)
Direktor Technik
Winnenden, May, 29, 2015

Autorisiert die technische Datei zu erstellen:
Alexander Krug, Managing Director
Techtronic Industries GmbH
Max-Eyth-Straße 10, 71364 Winnenden, Germany

ES DECLARACIÓN EC DE CONFORMIDAD

Techtronic Industries GmbH
Max-Eyth-Straße 10, 71364 Winnenden, Germany

Por la presente declaramos que los productos

Motosierra térmica
Marca: Ryobi
Número de modelo: RCS3835T/RCS3840T
Intervalo del número de serie:
RCS3835T 44445301000001 - 44445301999999
RCS3840T 44445401000001 - 44445401999999

se encuentra en conformidad con las siguientes Directivas Europeas y normas armonizadas

2006/42/EC, 2004/108/EC, 2000/14/EC, 2005/88/EC, 97/68/EC
modificada por la 2012/46/EU
EN ISO 11681-1:2011,
EN ISO 14982:2009

Nivel de potencia acústica medido: 108.94 dB(A)
Nivel de potencia acústica garantizado: 112 dB(A)
Método de evaluación de la conformidad del anexo V de la Directiva 2000/14/EC, modificada por la Directiva 2005/88/EC.

El organismo notificado, 0197 TÜV Rheinland LGA Products GmbH; Tillystraße 2 D - 90431 Nürnberg, Germany ha llevado a cabo la homologación de tipo EC, y el n.º de certificado es. BM 50307537 0001.

CE

Floyd Jeffrey Nesom (BSME)
Director de Ingeniería
Winnenden, May, 29, 2015

Autorizado para elaborar la ficha técnica:
Alexander Krug, Managing Director
Techtronic Industries GmbH
Max-Eyth-Straße 10, 71364 Winnenden, Germany

IT DICHIARAZIONE DI CONFORMITÀ EC

Techtronic Industries GmbH
Max-Eyth-Straße 10, 71364 Winnenden, Germany

Si dichiara con la presente che il prodotto

Motosega a scoppio
Marca: Ryobi
Numero modello: RCS3835T/RCS3840T
Gamma numero seriale:
RCS3835T 44445301000001 - 44445301999999
RCS3840T 44445401000001 - 44445401999999

è conforme alle seguenti Direttive Europee e ai seguenti standard armonizzati

2006/42/EC, 2004/108/EC, 2000/14/EC, 2005/88/EC, 97/68/EC
modificata con la 2012/46/EU
EN ISO 11681-1:2011,
EN ISO 14982:2009

Livello di potenza acustica misurato: 108.94 dB(A)

Livello di potenza sonora garantita: 112 dB(A)

Metodo di valutazione conforme all'Allegato V Direttiva 2000/14/EC modificata da 2005/88/EC.

Ente notificatore, 0197 TÜV Rheinland LGA Products GmbH; Tillystraße 2 D - 90431 Nürnberg, Germany ha svolto i test di conformità EC e il N. del certificato è. BM 50307537 0001.

CE

Floyd Jeffrey Nesom (BSME)
Direttore Sezione Ingegneria
Winnenden, May, 29, 2015

Autorizzato per compilare il file tecnico:
Alexander Krug, Managing Director
Techtronic Industries GmbH
Max-Eyth-Straße 10, 71364 Winnenden, Germany

NL EC CONFORMITEITSVERKLARING

Techtronic Industries GmbH
Max-Eyth-Straße 10, 71364 Winnenden, Germany

Hierbij verklaren wij dat het product

Motorkettingzaag
Merk: Ryobi
Modelnummer: RCS3835T/RCS3840T
Serienummerbereik:
RCS3835T 44445301000001 - 44445301999999
RCS3840T 44445401000001 - 44445401999999

is in overeenstemming met de volgende Europese Richtlijnen en geharmoniseerde normen

2006/42/EC, 2004/108/EC, 2000/14/EC, 2005/88/EC, 97/68/EC
gewijzigd door 2012/46/EU
EN ISO 11681-1:2011,
EN ISO 14982:2009

Gemeten geluidsniveau: 108.94 dB(A)

Gegarandeerd geluidsniveau: 112 dB(A)

Conformiteitsbeoordelingsmethode behorende bij Bijlage V van richtlijn 2000/14/EC, aangepast van 2005/88/EC.

Aangemelde instantie, 0197 TÜV Rheinland LGA Products GmbH; Tillystraße 2 D - 90431 Nürnberg, Germany heeft de EC-typegoedkeuring uitgevoerd en het certificaatnr. is. BM 50307537 0001.

CE

Floyd Jeffrey Nesom (BSME)
Hoofd Ontwerpingenieur
Winnenden, May, 29, 2015

Afgevaardigde voor het samenstellen van de technische fiche:
Alexander Krug, Managing Director
Techtronic Industries GmbH
Max-Eyth-Straße 10, 71364 Winnenden, Germany

PT DECLARAÇÃO EC DE CONFORMIDADE

Techtronic Industries GmbH
Max-Eyth-Straße 10, 71364 Winnenden, Germany

Pelo presente declaramos que os produtos

Serra de corrente com motor a gasolina
Marca: Ryobi
Número do modelo: RCS3835T/RCS3840T
Intervalo do número de série:
RCS3835T 44445301000001 - 44445301999999
RCS3840T 44445401000001 - 44445401999999

se encontra em conformidade com as seguintes Directivas Europeias e normas harmonizadas

2006/42/EC, 2004/108/EC, 2000/14/EC, 2005/88/EC, 97/68/EC
alterada por 2012/46/EU
EN ISO 11681-1:2011,
EN ISO 14982:2009

Nível de potência sonora medido: 108.94 dB(A)

Nível de potência sonora garantido: 112 dB(A)

Método de avaliação de conformidade em Anexo V conforme a Directiva 2000/14/EC alterada por 2005/88/EC.

Órgão notificado, 0197 TÜV Rheinland LGA Products GmbH; Tillystraße 2 D - 90431 Nürnberg, Germany realizou a aprovação tipo EC, e o certificado é o N.º. BM 50307537 0001.

CE

Floyd Jeffrey Nesom (BSME)
Director Sénior de Engenharia
Winnenden, May, 29, 2015

Autorizado para compilar o ficheiro técnico:
Alexander Krug, Managing Director
Techtronic Industries GmbH
Max-Eyth-Straße 10, 71364 Winnenden, Germany

DA EC OVERENSSTEMMELSEERKLÆRING

Techtronic Industries GmbH
Max-Eyth-Straße 10, 71364 Winnenden, Germany

Vi erklærer hermed, at produktet

Benzindreven motorsav
Brand: Ryobi
Modelnummer: RCS3835T/RCS3840T
Serienummerområde:
RCS3835T 44445301000001 - 44445301999999
RCS3840T 44445401000001 - 44445401999999

er i overensstemmelse med følgende EU-direktiver og harmoniserede standarder

2006/42/EC, 2004/108/EC, 2000/14/EC, 2005/88/EC, 97/68/EC
ændret ved 2012/46/EU
EN ISO 11681-1:2011,
EN ISO 14982:2009

Målt støjniveau: 108.94 dB(A)

Garanteret støjniveau: 112 dB(A)

Overensstemmelsesvurderingsmetode til Bilag V direktiv 2000/14/EC ændret ved 2005/88/EC.

Bemyndiget organ, 0197 TÜV Rheinland LGA Products GmbH; Tillystraße 2 D - 90431 Nürnberg, Germany har foretaget EC-typegodkendelse, og certifikatnummeret er. BM 50307537 0001.

CE

Floyd Jeffrey Nesom (BSME)
Maskinteknisk underdirektør
Winnenden, May, 29, 2015

Bemyndiget til at udarbejde det tekniske kartotek:
Alexander Krug, Managing Director
Techtronic Industries GmbH
Max-Eyth-Straße 10, 71364 Winnenden, Germany

SV EC-DEKLARATION ANGÅENDE ÖVERENSSTÄMMIGHET

Technronic Industries GmbH
Max-Eyth-Straße 10, 71364 Winnenden, Germany

Härmed deklarerar vi att produkterna

Bensindriven kedjesåg
Märke: Ryobi
Modellnummer: RCS3835T/RCS3840T
Serienummerintervall:
RCS3835T 44445301000001 - 44445301999999
RCS3840T 44445401000001 - 44445401999999

är i enlighet med följande EU-direktiv och harmoniserade standarder
2006/42/EC, 2004/108/EC, 2000/14/EC, 2005/88/EC, 97/68/EC med tillägg 2012/46/EU
EN ISO 11681-1:2011,
EN ISO 14982:2009

Uppmätt ljudeffektnivå: 108.94 dB(A)
Garanterad ljudeffektnivå: 112 dB(A)
Bedömningsmetod för överensstämmelse Annex V Directive 2000/14/EC med tillägg 2005/88/EC.

Anmält organ: 0197 TÜV Rheinland LGA Products GmbH; Tillystraße 2 D - 90431 Nürnberg, Germany har utfört EC-typgodkännandet och certifikatnumret är. BM 50307537 0001.

CE

Floyd Jeffrey Nesom (BSME)
Senior Director of Engineering
Winnenden, May. 29, 2015

Godkänd att sammanställa den tekniska filen:
Alexander Krug, Managing Director
Technronic Industries GmbH
Max-Eyth-Straße 10, 71364 Winnenden, Germany

FI EC-SÄÄNNÖSTEN NOUDATTAMINEN

Technronic Industries GmbH
Max-Eyth-Straße 10, 71364 Winnenden, Germany

Ilmoitamme täten, että tuotteet

Bensiinimoottorisaha
Tuotemerkki: Ryobi
Mallinnumero: RCS3835T/RCS3840T
Sarjanumeroalue:
RCS3835T 44445301000001 - 44445301999999
RCS3840T 44445401000001 - 44445401999999

noudattaa seuraavia EU-direktiivejä ja harmonoituja standardeja
2006/42/EC, 2004/108/EC, 2000/14/EC, 2005/88/EC, 97/68/EC
muunnettu direktiivillä 2012/46/EU
EN ISO 11681-1:2011,
EN ISO 14982:2009

Mitattu äänenteho: 108.94 dB(A)
Taattu ääniteho: 112 dB(A)

Säännösten noudattaminen tarkastettu 2005/88/EC:n muuntaman direktiivin 2000/14/EC liitteen V mukaisesti.

Ilmoituksen saanut elin, 0197 TÜV Rheinland LGA Products GmbH; Tillystraße 2 D - 90431 Nürnberg, Germany, on suorittanut EC-tyyppisen hyväksynnän, ja todistuksen numero on. BM 50307537 0001.

CE

Floyd Jeffrey Nesom (BSME)
Suunnitteluosaston pääjohtaja
Winnenden, May. 29, 2015

Valtuutettu kokoamaan tekninen tiedosto:
Alexander Krug, Managing Director
Technronic Industries GmbH
Max-Eyth-Straße 10, 71364 Winnenden, Germany

NO EC-ERKLÆRING OM PRODUKTOVERENSSTEMMELSE

Technronic Industries GmbH
Max-Eyth-Straße 10, 71364 Winnenden, Germany

Herved erklærer vi at produktet

Motordrevet kjedesag
Merke: Ryobi
Modellnummer: RCS3835T/RCS3840T
Serienummerserie:
RCS3835T 44445301000001 - 44445301999999
RCS3840T 44445401000001 - 44445401999999

er i samsvar med følgende europeiske direktiver og harmoniserte standarder

2006/42/EC, 2004/108/EC, 2000/14/EC, 2005/88/EC, 97/68/EC
endret ved 2012/46/EU
EN ISO 11681-1:2011,
EN ISO 14982:2009

Målt lydteffektnivå: 108.94 dB(A)
Garantert lydteffektnivå: 112 dB(A)
Vurderingsmetode for samsvar til Tillegg V Direktiv 2000/14/EC, endret ved 2005/88/EC.

Teknisk kontrollorgan, 0197 TÜV Rheinland LGA Products GmbH; Tillystraße 2 D - 90431 Nürnberg, Germany har gjennomført EC typegodkjenning, og sertifikatnummeret er. BM 50307537 0001.

CE

Floyd Jeffrey Nesom (BSME)
Seniordirektør for konstruksjon
Winnenden, May. 29, 2015

Autorisert til å sette sammen den tekniske filen:
Alexander Krug, Managing Director
Technronic Industries GmbH
Max-Eyth-Straße 10, 71364 Winnenden, Germany

RU ЗАЯВЛЕНИЕ О СООТВЕТВИИ ТРЕБОВАНИЯМ ЕС

Technronic Industries GmbH
Max-Eyth-Straße 10, 71364 Winnenden, Germany

Настоящим мы заявляем, что данный продукт

Цепная бензопила
Марка: Ryobi
Номер модели: RCS3835T/RCS3840T
Диапазон заводских номеров:
RCS3835T 44445301000001 - 44445301999999
RCS3840T 44445401000001 - 44445401999999

соответствует требованиям следующих Директив ЕС и согласованных стандартов
2006/42/EC, 2004/108/EC, 2000/14/EC, 2005/88/EC, 97/68/EC с изменениями 2012/46/EU
EN ISO 11681-1:2011,
EN ISO 14982:2009

Измеренный уровень звуковой мощности: 108.94 dB(A)
Гарантируемый уровень звуковой мощности: 112 dB(A)
Подтверждение соответствия согласно методу, указанному в Приложении V Директивы 2000/14/EC, замененной Директивой 2005/88/EC.

Нотифицированная организация, 0197 TÜV Rheinland LGA Products GmbH; Tillystraße 2 D - 90431 Nürnberg, Germany выполнила утверждение типового образца по стандарту ЕС, номер сертификата. BM 50307537 0001.

CE

Floyd Jeffrey Nesom (BSME)
Старший технический директор
Winnenden, May. 29, 2015

Лицо, ответственное за подготовку технической документации:
Alexander Krug, Managing Director
Technronic Industries GmbH
Max-Eyth-Straße 10, 71364 Winnenden, Germany

PL DEKLARACJA ZGODNOŚCI EC

Techtronic Industries GmbH
Max-Eyth-Straße 10, 71364 Winnenden, Germany

Niniejszym deklarujemy, że produkty

Spalinowa pilarka łańcuchowa
Marka: Ryobi
Numer modelu: RCS3835T/RCS3840T
Zakres numerów seryjnych:
RCS3835T 44445301000001 - 44445301999999
RCS3840T 44445401000001 - 44445401999999

jest zgodny z następującymi dyrektywami europejskimi i zharmonizowanymi normami

2006/42/EC, 2004/108/EC, 2000/14/EC, 2005/88/EC, 97/68/EC
zmieniona przez dyrektywę 2012/46/EU
EN ISO 11681-1:2011,
EN ISO 14982:2009

Zmierzony poziom natężenia hałasu: 108.94 dB(A)

Maksymalny poziom natężenia hałasu: 112 dB(A)
Metoda oceny zgodności do załącznika V Dyrektywa 2000/14/EC z aktualizacją 2005/88/EC.

Jednostka notyfikowana, 0197 TÜV Rheinland LGA Products GmbH; Tillystraße 2 D - 90431 Nürnberg, Germany potwierdziła zgodność z dyrektywami EC, nr certyfikatu. BM 50307537 0001.

CE

Floyd Jeffrey Nesom (BSME)
Starszy dyrektor ds. technicznych
Winnenden, May, 29, 2015

Osoba upoważniona do sporządzenia dokumentu technicznego:
Alexander Krug, Managing Director
Techtronic Industries GmbH
Max-Eyth-Straße 10, 71364 Winnenden, Germany

CS PROHLÁŠENÍ O SHODĚ EC

Techtronic Industries GmbH
Max-Eyth-Straße 10, 71364 Winnenden, Germany

Tímto prohlašujeme, že výrobky

Řetězová pila s benzínovým motorem
Značka: Ryobi
Číslo modelu: RCS3835T/RCS3840T
Rozsah sériových čísel:
RCS3835T 44445301000001 - 44445301999999
RCS3840T 44445401000001 - 44445401999999

že tento výrobek je v souladu s evropskými a harmonizovanými standardy

2006/42/EC, 2004/108/EC, 2000/14/EC, 2005/88/EC, 97/68/EC
upravená 2012/46/EU
EN ISO 11681-1:2011,
EN ISO 22868:2011, EN ISO 14982:2009, EN ISO 3744:2010.

Změřená hladina akustického výkonu: 108.94 dB(A)

Zaručená hladina akustického výkonu: 112 dB(A)
Soulad s metodou určování pro přílohu V/směrnice 2000/14/EC pozměněná 2005/88/EC.

Úředně oznámený orgán, 0197 TÜV Rheinland LGA Products GmbH; Tillystraße 2 D - 90431 Nürnberg, Germany provedl typovou zkoušku EC a vystavil osvědčení č. BM 50307537 0001.

CE

Floyd Jeffrey Nesom (BSME)
Vrchní technický ředitel
Winnenden, May, 29, 2015

Pověření ke kompilaci technického souboru:
Alexander Krug, Managing Director
Techtronic Industries GmbH
Max-Eyth-Straße 10, 71364 Winnenden, Germany

HU EC IZJAVA O USKLADENOSTI

Techtronic Industries GmbH
Max-Eyth-Straße 10, 71364 Winnenden, Germany

Ezúton kijelentjük, hogy a termékek

Benzinmotoros láncfűrész
Márka: Ryobi
Típuszám: RCS3835T/RCS3840T
Sorozatszám tartomány:
RCS3835T 44445301000001 - 44445301999999
RCS3840T 44445401000001 - 44445401999999

megfelel az alábbi Európai Irányelvek és harmonizált szabványok vonatkozó rendelkezéseinek

2006/42/EC, 2004/108/EC, 2000/14/EC, 2005/88/EC, 2012/46/EU
által módosított 97/68/EC irányelv
EN ISO 11681-1:2011,
EN ISO 14982:2009

Mért hangteljesítményszint: 108.94 dB(A)

Garantált hangteljesítményszint: 112 dB(A)
A megfelelőség kiértékelésére használt módszer megfelel a 2005/88/EC irányelvvel módosított 2000/14/EC irányelv V. mellékletének.

Az EC típusjóváhagyási eljárást a 0197 TÜV Rheinland LGA Products GmbH; Tillystraße 2 D - 90431 Nürnberg, Germany alatti tanúsító testület végezte; a tanúsítvány száma. BM 50307537 0001.

CE

Floyd Jeffrey Nesom (BSME)
Senior Tervezési igazgató
Winnenden, May, 29, 2015

A műszaki dokumentáció összeállítására felhatalmazott:
Alexander Krug, Managing Director
Techtronic Industries GmbH
Max-Eyth-Straße 10, 71364 Winnenden, Germany

RO DECLARAȚIE DE CONFORMITATE EC

Techtronic Industries GmbH
Max-Eyth-Straße 10, 71364 Winnenden, Germany

Prin prezenta, declarăm că produsele

Ferăstrău termic cu lanț
Marcă: Ryobi
Număr serie: RCS3835T/RCS3840T
Gamă număr serie:
RCS3835T 44445301000001 - 44445301999999
RCS3840T 44445401000001 - 44445401999999

este în conformitate cu următoarele Directive Europene și standarde armonizate

2006/42/EC, 2004/108/EC, 2000/14/EC, 2005/88/EC, 97/68/EC
modificată prin 2012/46/EU
EN ISO 11681-1:2011,
EN ISO 14982:2009

Nivelul măsurat al puterii acustice: 108.94 dB(A)

Nivelul garantat al puterii acustice: 112 dB(A)
Metoda de evaluare a conformității la Anexa V a Directivei 2000/14/EC amendată de 2005/88/EC.

Agentia notificată, 0197 TÜV Rheinland LGA Products GmbH; Tillystraße 2 D - 90431 Nürnberg, Germany a efectuat o procedură de aprobare tip EC, iar nr. certificatului este. BM 50307537 0001.

CE

Floyd Jeffrey Nesom (BSME)
Director general de tehnologie
Winnenden, May, 29, 2015

Autorizat să completeze fișa tehnică:
Alexander Krug, Managing Director
Techtronic Industries GmbH
Max-Eyth-Straße 10, 71364 Winnenden, Germany

LV EC ATBILSTĪBAS PAZIŅOJUMS

Techtronic Industries GmbH
Max-Eyth-Straße 10, 71364 Winnenden, Germany

Ar šo paziņojam, ka produkti

Motorz gjs
Zīmols: Ryobi
Modeļa numurs: RCS3835T/RCS3840T
Sērijas numura intervāls:
RCS3835T 44445301000001 - 44445301999999
RCS3840T 44445401000001 - 44445401999999

atbilst šādām Eiropas direktīvām un saskaņotajiem standartiem

2006/42/EC, 2004/108/EC, 2000/14/EC, 2005/88/EC, 97/68/EC
labota 2012/46/EU
EN ISO 11681-1:2011,
EN ISO 14982:2009

Izmērītās skaņas jaudas līmenis: 108.94 dB(A)
Garantētais skaņas intensitātes līmenis: 112 dB(A)

Atbilst Direktīvas 2000/14/EC V pielikumam, ko grozījusi Direktīva 2005/88/EC.

Informētā iestāde 0197 TÜV Rheinland LGA Products GmbH; Tillystraße 2 D - 90431 Nürnberg, Germany ir veikusi EC tipa pārbaudi, un sertifikāta Nr. Ir. BM 50307537 0001.

CE

Floyd Jeffrey Nesom (BSME)
Vecākais tehniskais direktors
Winnenden, May, 29, 2015

Pilnvarots sastādīt tehnisko failu:
Alexander Krug, Managing Director
Techtronic Industries GmbH
Max-Eyth-Straße 10, 71364 Winnenden, Germany

LT EC ATITIKTIKES DEKLARACIJA

Techtronic Industries GmbH
Max-Eyth-Straße 10, 71364 Winnenden, Germany

Mes pareiškiamo, kad šie produktai

Benzininis grandininis medžio pjūklas
Prekės ženklas: Ryobi
Modelio numeris: RCS3835T/RCS3840T
Serijinio numerio diapazonas:
RCS3835T 44445301000001 - 44445301999999
RCS3840T 44445401000001 - 44445401999999

pagamintas laikantis toliau nurodytųjų Europos Direktyvų ir darniųjų standartų

2006/42/EC, 2004/108/EC, 2000/14/EC, 2005/88/EC, 97/68/EC su pataisomis 2012/46/EU
EN ISO 11681-1:2011,
EN ISO 14982:2009

Išmatuotas akustinis lygis: 108.94 dB(A)
Garantuotas akustinis lygis: 112 dB(A)

Atitikimo vertinimo metodas pagal direktyvos 2000/14/EC V priedą, pataisa 2005/88/EC.

Notifikuotoji įstaiga, 0197 TÜV Rheinland LGA Products GmbH; Tillystraße 2 D - 90431 Nürnberg, Germany atliko EC tipo patvirtinimą. Pažymėjimo numeris. BM 50307537 0001.

CE

Floyd Jeffrey Nesom (BSME)
Vyr. inžinerijos direktorius
Winnenden, May, 29, 2015

Igaliotas sudaryti techninį failą:
Alexander Krug, Managing Director
Techtronic Industries GmbH
Max-Eyth-Straße 10, 71364 Winnenden, Germany

ET EC VASTAVUSDEKLARATSIIONS

Techtronic Industries GmbH
Max-Eyth-Straße 10, 71364 Winnenden, Germany

Kinnitame, et see toode

Bensiiniuga töötav kettsaag
Mark: Ryobi
Mudeli number: RCS3835T/RCS3840T
Seerienumbri vahemik:
RCS3835T 44445301000001 - 44445301999999
RCS3840T 44445401000001 - 44445401999999

vastab järgmistele Euroopa direktiividele ja harmoniseeritud standarditele

2006/42/EC, 2004/108/EC, 2000/14/EC, 2005/88/EC, 97/68/EC
muudetud direktiiviga 2012/46/EU
EN ISO 11681-1:2011,
EN ISO 14982:2009

Möödetud helivõimsuse tase: 108.94 dB(A)
Garanteeritud helivõimsuse tase: 112 dB(A)

Vastavushindamine vastavalt lisale V direktiivis 2000/14/EC, mis on muudetud direktiiviga 2005/88/EC.

Tunnustatud asutus, 0197 TÜV Rheinland LGA Products GmbH; Tillystraße 2 D - 90431 Nürnberg, Germany on läbi viinud EC tüübikinnustoitomingud ja välja andnud sertifikaadi nr. BM 50307537 0001.

CE

Floyd Jeffrey Nesom (BSME)
Tehnika-peadirektor
Winnenden, May, 29, 2015

Tehnilise faili koostamiseks volitatud isik:
Alexander Krug, Managing Director
Techtronic Industries GmbH
Max-Eyth-Straße 10, 71364 Winnenden, Germany

HR EC IZJAVA O USKLADENOSTI

Techtronic Industries GmbH
Max-Eyth-Straße 10, 71364 Winnenden, Germany

OVime izjavljujemo da su proizvodi

Benzinska motorna pila
Marka: Ryobi
Broj modela: RCS3835T/RCS3840T
Raspon serijskog broja:
RCS3835T 44445301000001 - 44445301999999
RCS3840T 44445401000001 - 44445401999999

uskladen sa sljedećim Europskim Direktivama i usklađenim normama

2006/42/EC, 2004/108/EC, 2000/14/EC, 2005/88/EC, 97/68/EC
navedeno u 2012/46/EU
EN ISO 11681-1:2011,
EN ISO 14982:2009

Izmjerena razina zvučne snage: 108.94 dB(A)
Jamčena razina zvučne snage: 112 dB(A)

Metoda procjene usklađenosti prema dodatku V Directivi 2000/14/EC po 2005/88/EC.

Nadzorno tijelo, 0197 TÜV Rheinland LGA Products GmbH; Tillystraße 2 D - 90431 Nürnberg, Germany izdalo je odobrenje tipa EC i broj certifikata je. BM 50307537 0001.

CE

Floyd Jeffrey Nesom (BSME)
Viši direktor inženjeringa
Winnenden, May, 29, 2015

Ovlašten da sastavi tehničku datoteku:
Alexander Krug, Managing Director
Techtronic Industries GmbH
Max-Eyth-Straße 10, 71364 Winnenden, Germany

SL IZJAVA EC O SKLADNOSTI

Techtronic Industries GmbH
Max-Eyth-Straße 10, 71364 Winnenden, Germany

Izjavljamo, da je izdelek

Motorna verižna žaga u
Znamka: Ryobi
Številka modela: RCS3835T/RCS3840T
Razpon serijskih števil:
RCS3835T 44445301000001 - 44445301999999
RCS3840T 44445401000001 - 44445401999999

v skladu s sledečimi evropskimi direktivami in harmoniziranimi standardi
2006/42/EC, 2004/108/EC, 2000/14/EC, 2005/88/EC, 97/68/EC, kot
je bila spremenjena z Direktivo 2012/46/EU
EN ISO 11681-1:2011,
EN ISO 14982:2009

Izmerjena raven zvočne moči: 108.94 dB(A)
Zajamčena raven zvočne moči: 112 dB(A)
Način ugotavljanja skladnosti v skladu s Prilogo V Direktive 2000/14/EC,
kot je bila spremenjena z Direktivo 2005/88/EC.

Priglašeni organ, 0197 TÜV Rheinland LGA Products GmbH; Tillystraße
2 D - 90431 Nürnberg, Germany je izvedel EC homologacijo, številka
certifikata pa je. BM 50307537 0001.

CE

Floyd Jeffrey Nesom (BSME)
Višji direktor tehničnega oddelka
Winnenden, May, 29, 2015

Pooblaščen oseba za sestavo tehnične dokumentacije:
Alexander Krug, Managing Director
Techtronic Industries GmbH
Max-Eyth-Straße 10, 71364 Winnenden, Germany

SK PREHLÁSENIE O ZHODE EC

Techtronic Industries GmbH
Max-Eyth-Straße 10, 71364 Winnenden, Germany

Týmto vyhlasujeme, že výrobok

Benzínová reťazová píla
Značka: Ryobi
Číslo modelu: RCS3835T/RCS3840T
Rozsah sériových čísiel:
RCS3835T 44445301000001 - 44445301999999
RCS3840T 44445401000001 - 44445401999999

je v súlade s nasledujúcimi Európskymi smernicami a harmonizovanými normami

2006/42/EC, 2004/108/EC, 2000/14/EC, 2005/88/EC, 97/68/EC
doplnená o 2012/46/EU
EN ISO 11681-1:2011,
EN ISO 14982:2009

Nameraná úroveň hluku: 108.94 dB(A)
Garantovaná úroveň hluku: 112 dB(A)
Metóda zhodnotenia zhody k Dodatku V Smernice 2000/14/EC
novelizovanej pomocou 2005/88/EC.

Uповедоменý orgán 0197 TÜV Rheinland LGA Products GmbH;
Tillystraße 2 D - 90431 Nürnberg, Germany previedol schválenie typu EC a
certifikáciu č. BM 50307537 0001.

CE

Floyd Jeffrey Nesom (BSME)
Vyšší strojnicky riaditeľ
Winnenden, May, 29, 2015

Oprávnená osoba na zostavenie technického súboru:
Alexander Krug, Managing Director
Techtronic Industries GmbH
Max-Eyth-Straße 10, 71364 Winnenden, Germany

BG ЕС ДЕКЛАРАЦИЯ НА ЗА СЪОТВЕТСТВИЕ

Производител: Techtronic Industries GmbH
Адрес: Max-Eyth-Straße 10, 71364 Winnenden, Germany

С настоящето декларираме, че продуктите

верижн трион с бензинов двигател
Марка: Ryobi
Номер на модела: RCS3835T/RCS3840T
Обхват на серийни номера:
RCS3835T 44445301000001 - 44445301999999
RCS3840T 44445401000001 - 44445401999999

отговаря на следните директиви на ЕС и хармонизирани стандарти
2006/42/EC, 2004/108/EC, 2000/14/EC, 2005/88/EC, 97/68/EC,
изменена от 2012/46/EU
EN ISO 11681-1:2011,
EN ISO 14982:2009

Измерено ниво на шум: 108.94 dB(A)
Гарантирано ниво на шум 112 dB(A)
Метод за оценка на съответствието с Приложение V към Директива
2000/14/EC, изменена от 2005/88/EC.

Компетентен орган, 0197 TÜV Rheinland LGA Products GmbH; Tillystraße
2 D - 90431 Nürnberg, Germany извърши одобрение за ЕС и номерът на
сертификата е. BM 50307537 0001.

CE

Floyd Jeffrey Nesom (BSME)
Директор „Машиностроене
Winnenden, May, 29, 2015

Упълномощено лице за съставяне на техническия файл:
Alexander Krug, Managing Director
Techtronic Industries GmbH
Max-Eyth-Straße 10, 71364 Winnenden, Germany



RYOBI®

Techtronic Industries GmbH
Max-Eyth-Straße 10,
71364 Winnenden, Germany

960087094-01