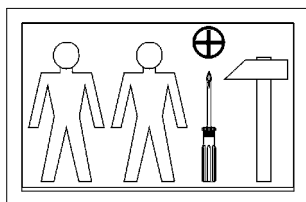
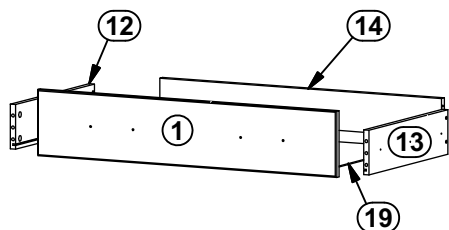
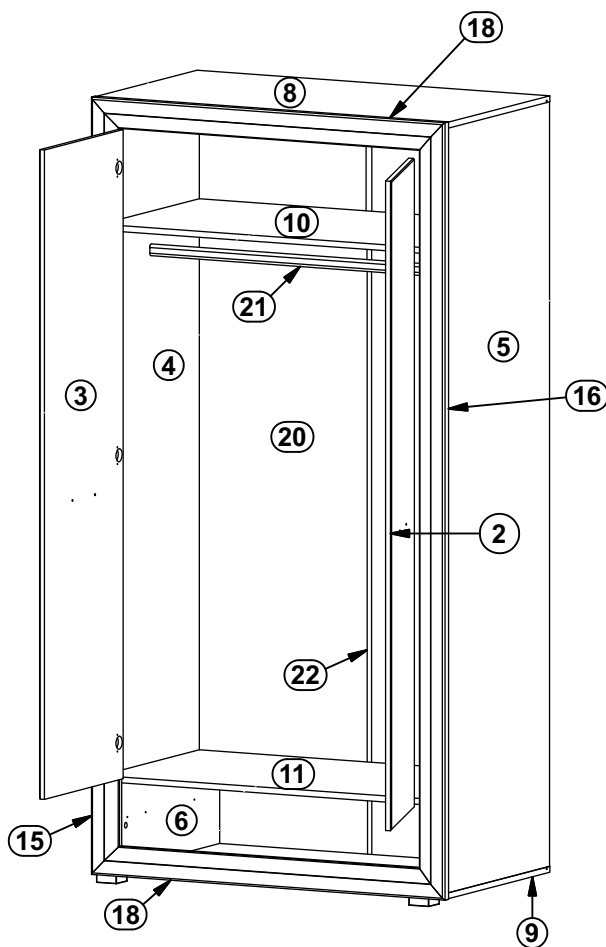
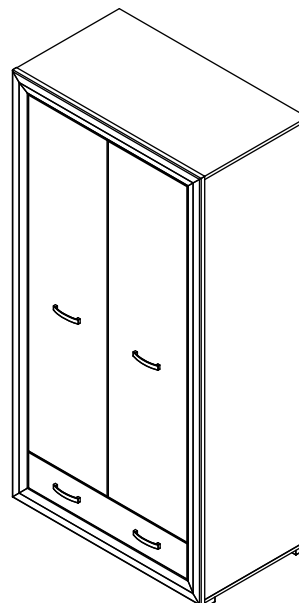
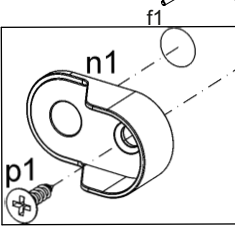
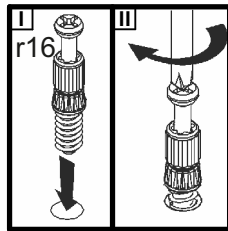
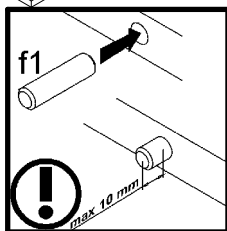
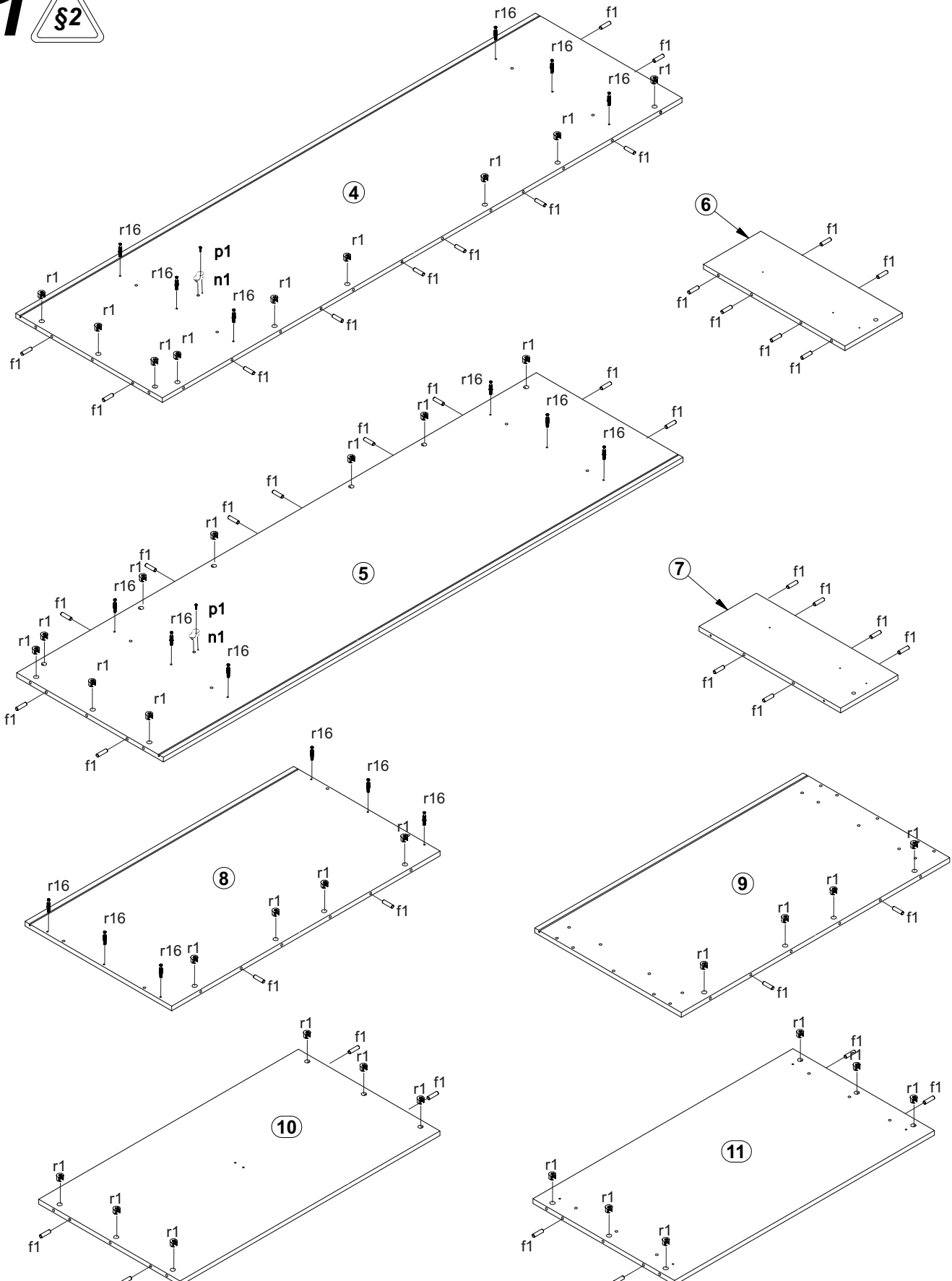


A	B	C	D	
1	B136-013	897	177	2/5
2	B136-018	1744	447	4/5
3	B136-022	1744	447	4/5
4	B136-116	2056	580	1/5
5	B136-117	2056	580	1/5
6	B136-139	237	560	2/5
7	B136-140	237	560	2/5
8	B136-213	1061	580	2/5
9	B136-214	1061	580	2/5
10	B136-308	1027	560	2/5
11	B136-312	1027	560	2/5
12	B136-516	450	120	2/5
13	B136-517	450	120	2/5
14	B136-519	828	106	2/5
15	B136-5504	2090	80	3/5
16	B136-5505	2090	80	3/5
18	B136-572	1063	80	3/5
19	B136-935	842	457	2/5
20	B136-914	2066	518	1/5
21	dr-1022	1022	30	2/5
22	Lh-2050	2050	14	1/5

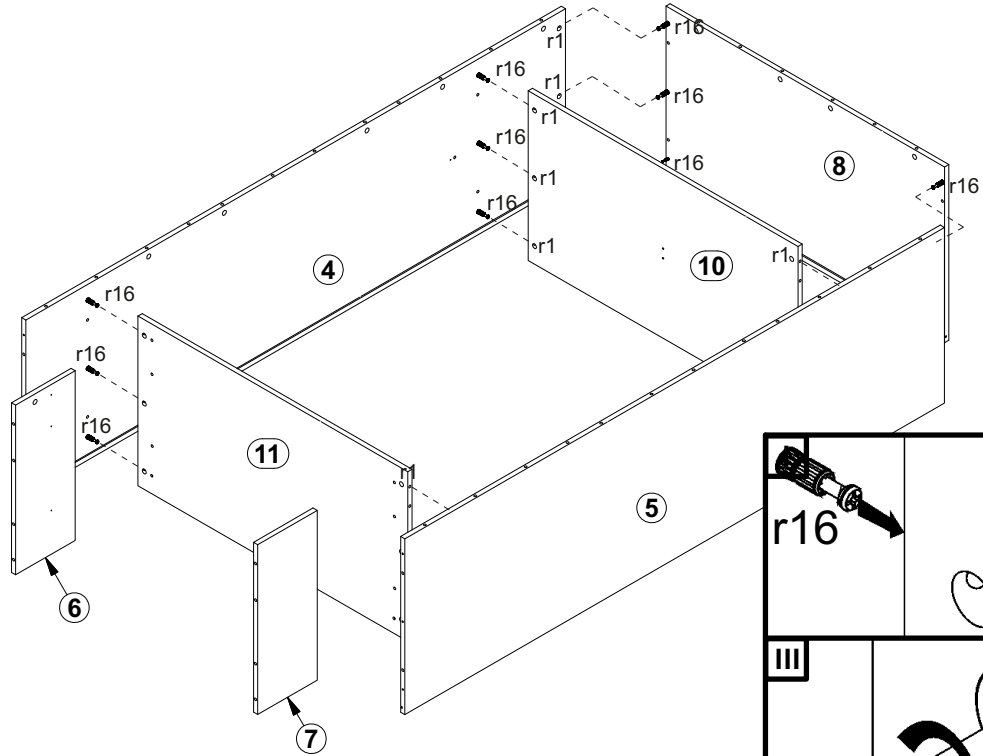


6x a56	6x b6	4x 412.050	8x p9 f4x30 mm	14x e1 φ7x50 mm	2x e3 Ø6x13 mm	54x f1 φ8x30 mm	24x l1	6x p25 φ3,5x16 mm
28x l2	1x n26	8x p38 φ3,5x16 mm	6x e3 φ6x13 mm	12x p51 φ3,5x15 mm	1x p17 φ5x60 mm	1x f35 φ10x50 mm	50x r1 φ15x12 mm #16	4x r10
42x r16 20/9	10x p6 φ4x35 mm	5x k55 60x60x25 mm	30x s2 Ø16	4x s50 Ø12,7x3,5 mm	1x z1	2x n1	2x p1 φ3,5x13 mm	1x qb18
3x t38 450 mm	2x w209/1 450 mm	2x w209/2 450 mm	6x o21 φ8x1,8 mm	6x p140 φ3,5x12 mm				

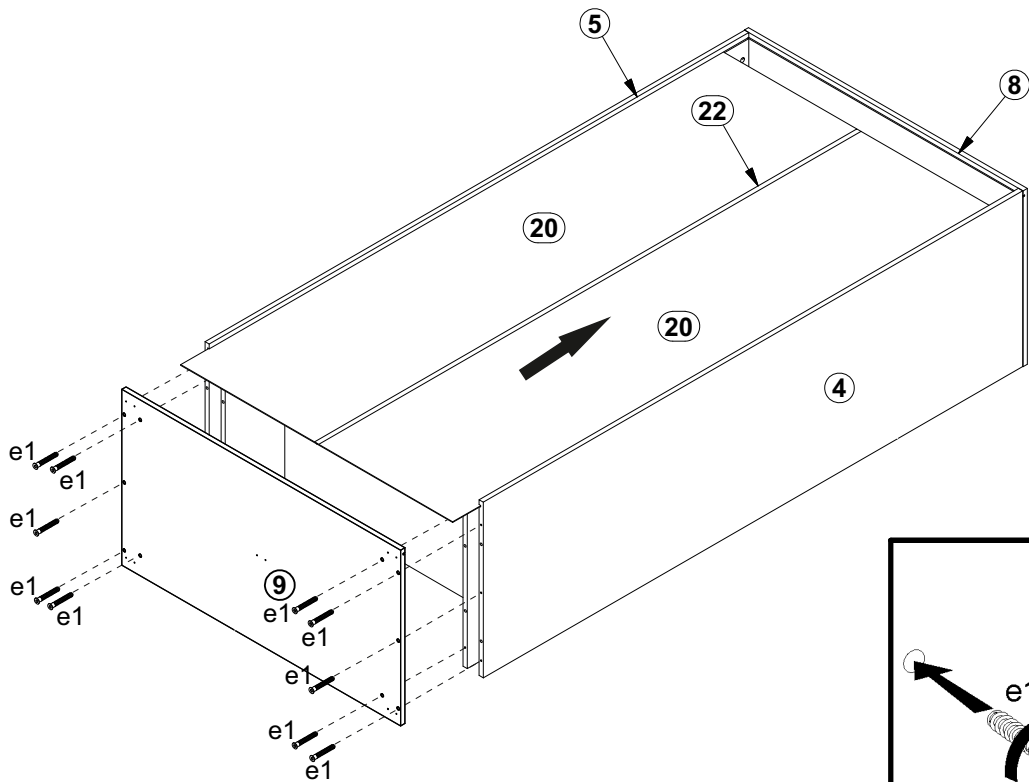
1 §2



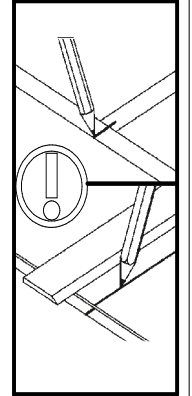
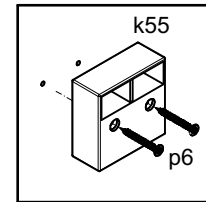
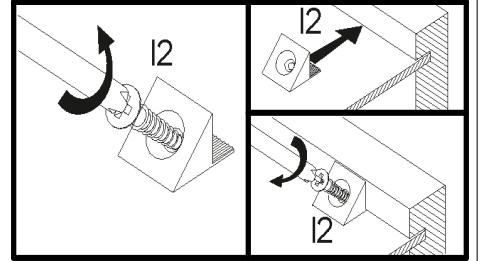
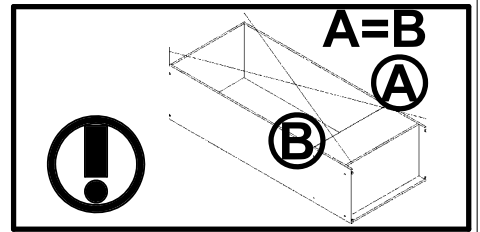
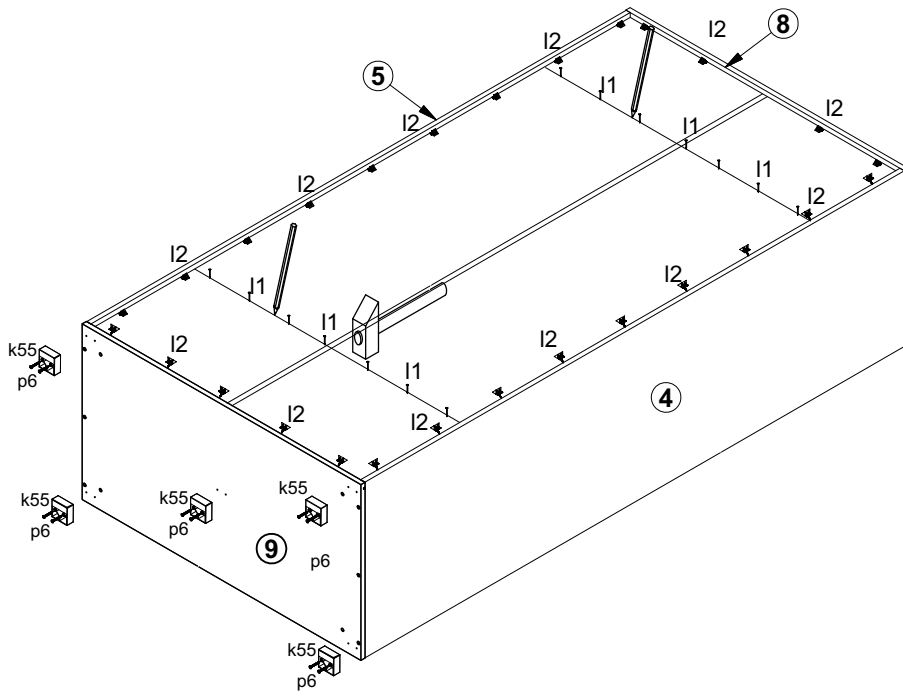
2



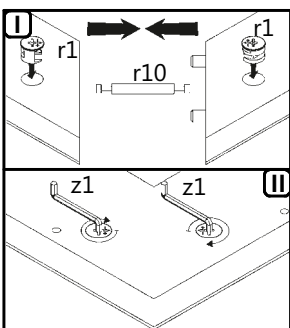
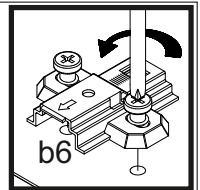
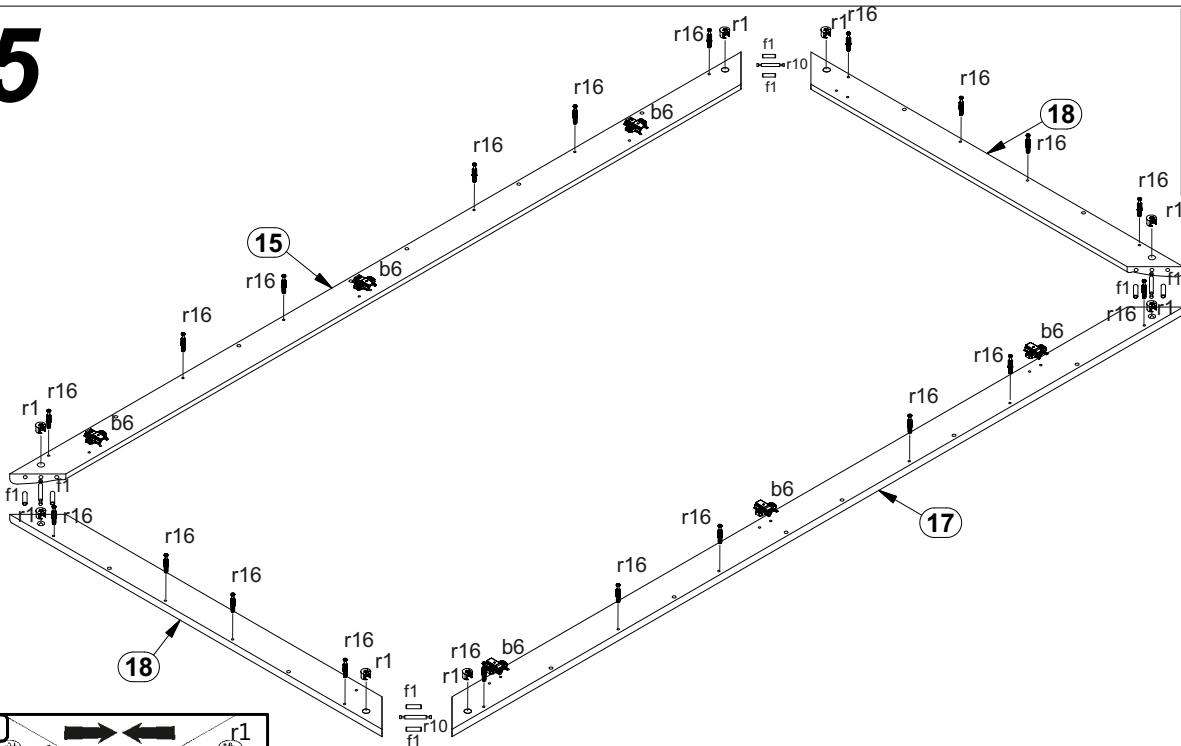
3



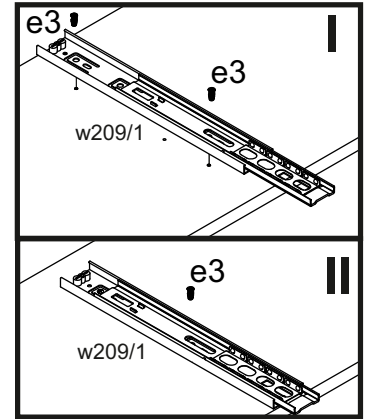
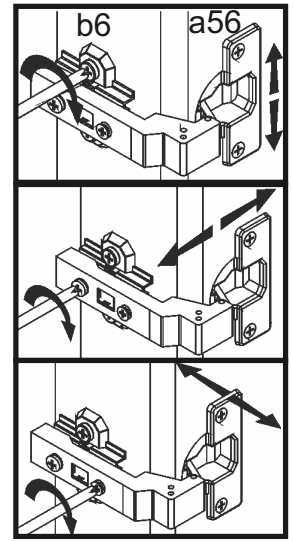
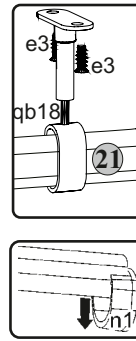
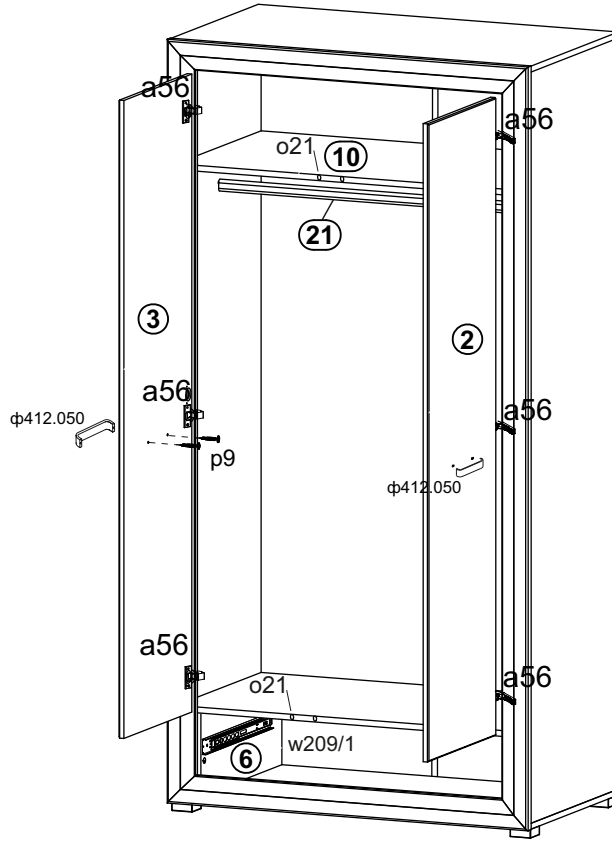
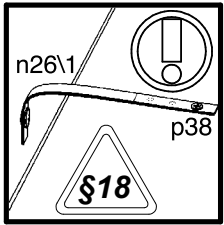
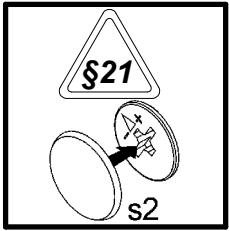
4



5



8



9

