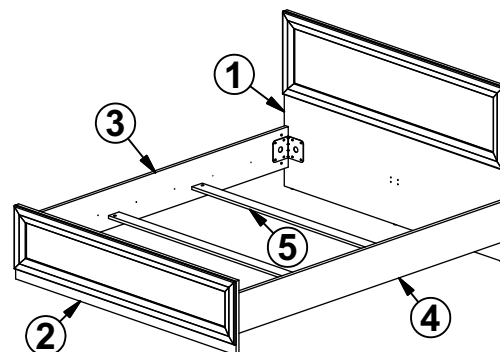


## B136-LOZ140

A	B	C	D	
1	B136-0047	1460	995	1/3
2	B136-0048	1460	420	1/3
3	B136-1148	2000	230	2/3
4	B136-1149	2000	230	2/3
5	B136-418	1400	80	1/3



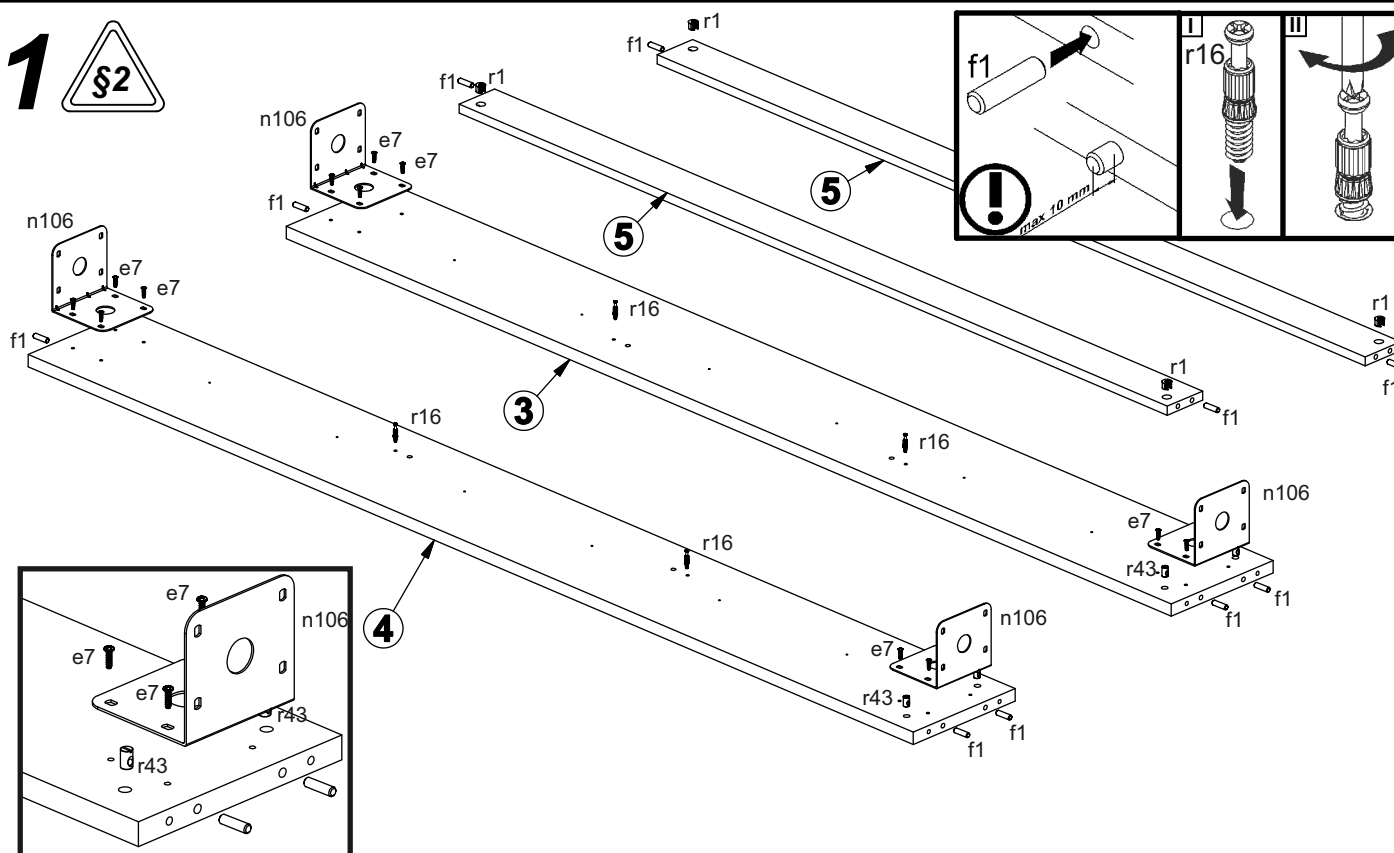
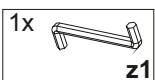
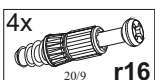
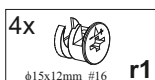
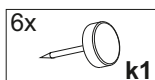
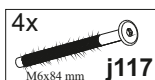
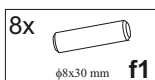
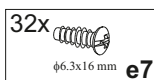
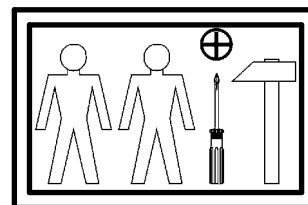
## B136-LOZ160

A	B	C	D	
1	B136-0045	1660	995	1/3
2	B136-0046	1660	420	1/3
3	B136-1148	2000	230	2/3
4	B136-1149	2000	230	2/3
5	B136-468	1600	80	1/3

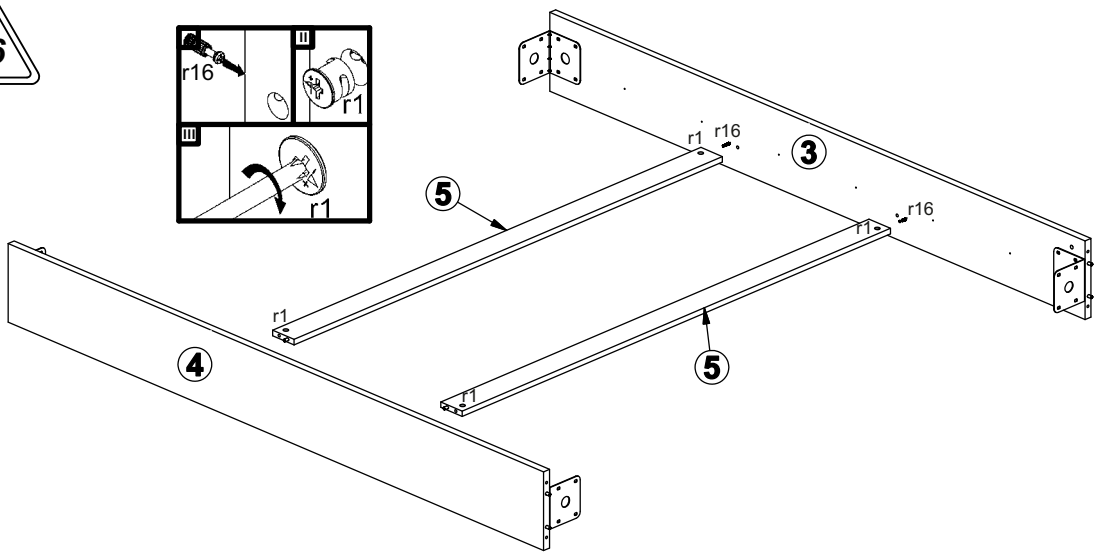
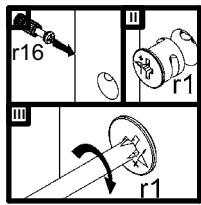


## B136-LOZ180

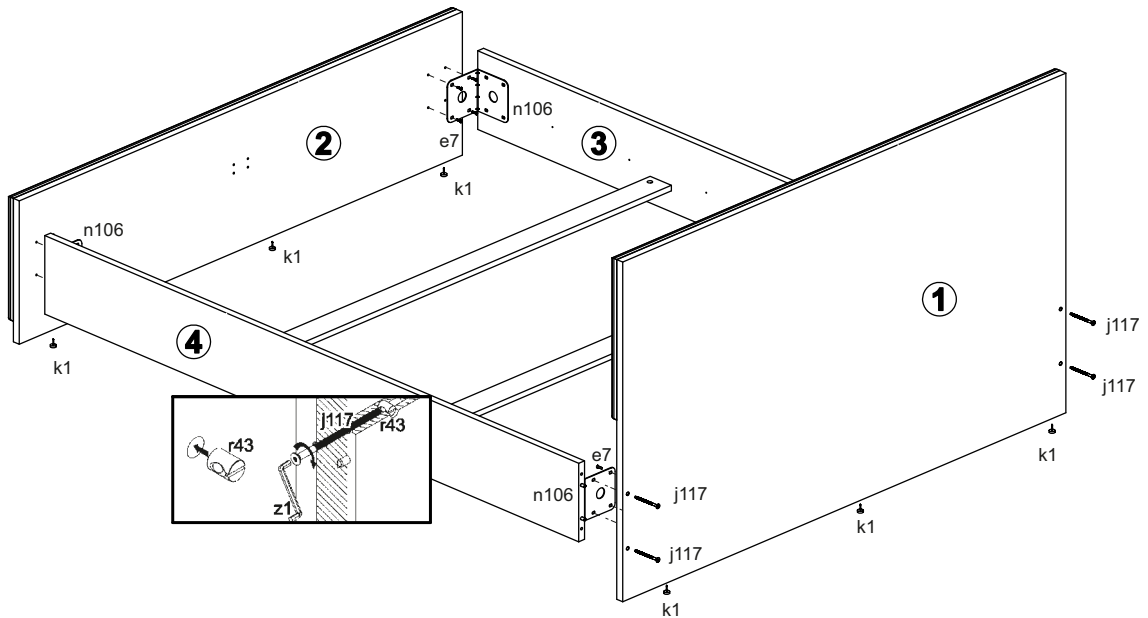
A	B	C	D	
1	B136-0027	1860	995	1/3
2	B136-0028	1860	420	1/3
3	B136-1148	2000	230	2/3
4	B136-1149	2000	230	2/3
5	B136-475	1800	80	1/3



# 2



# 3



# 4

