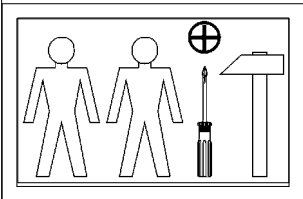
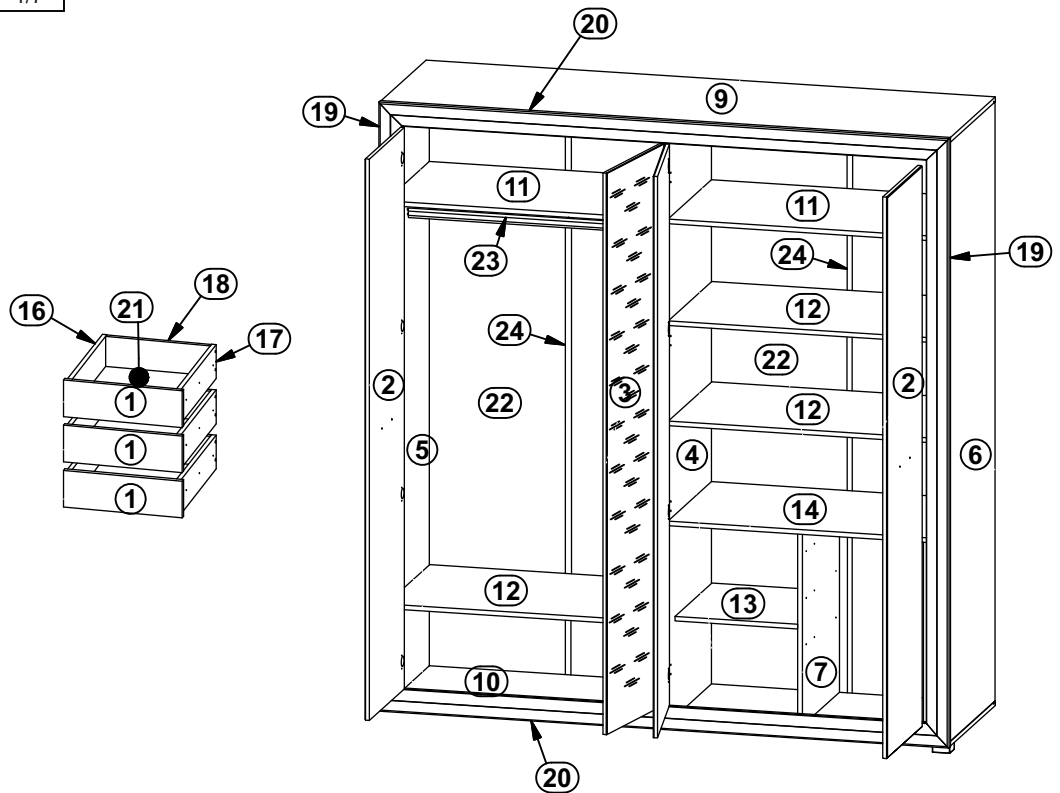
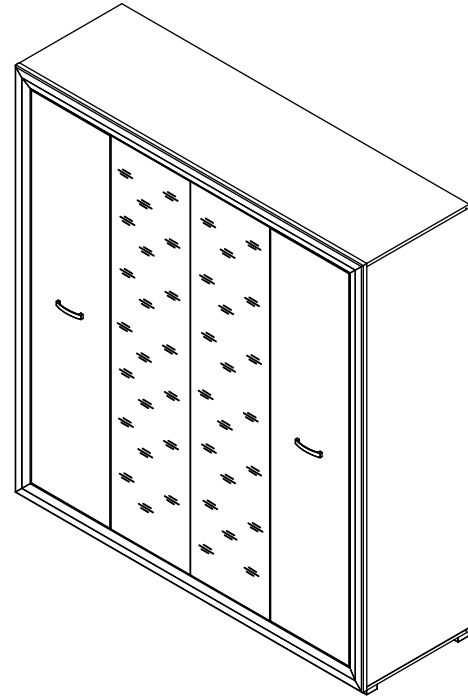
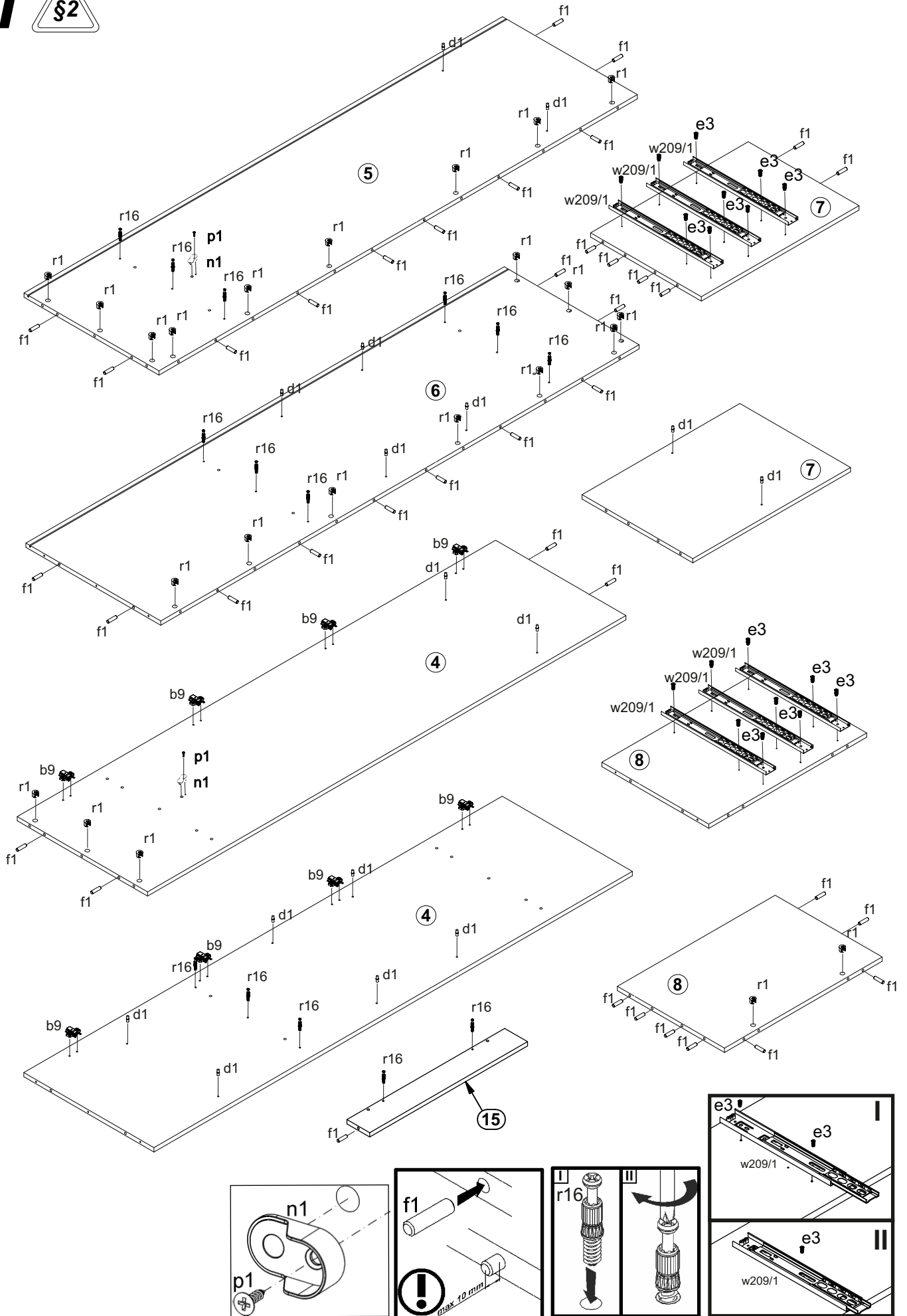


A	B	C	D
1	B136-023	409	130
2	B136-019	1924	447
3	B136-062	1924	447
4	B136-167	2056	560
5	B136-168	2056	580
6	B136-169	2056	580
7	B136-170	678	476
8	B136-171	678	460
9	B136-239	1960	580
10	B136-240	1960	580
11	B136-309	955	560
12	B136-328	954	560
13	B136-329	476	423
14	B136-330	955	560
15	B136-425	678	98
16	B136-516	450	120
17	B136-517	450	120
18	B136-518	360	120
19	B136-579	2090	80
20	B136-5509	1962	80
21	B136-932	374	448
22	B136-929	2066	483
23	dr-948	948	30
24	Lh-2050	2050	14

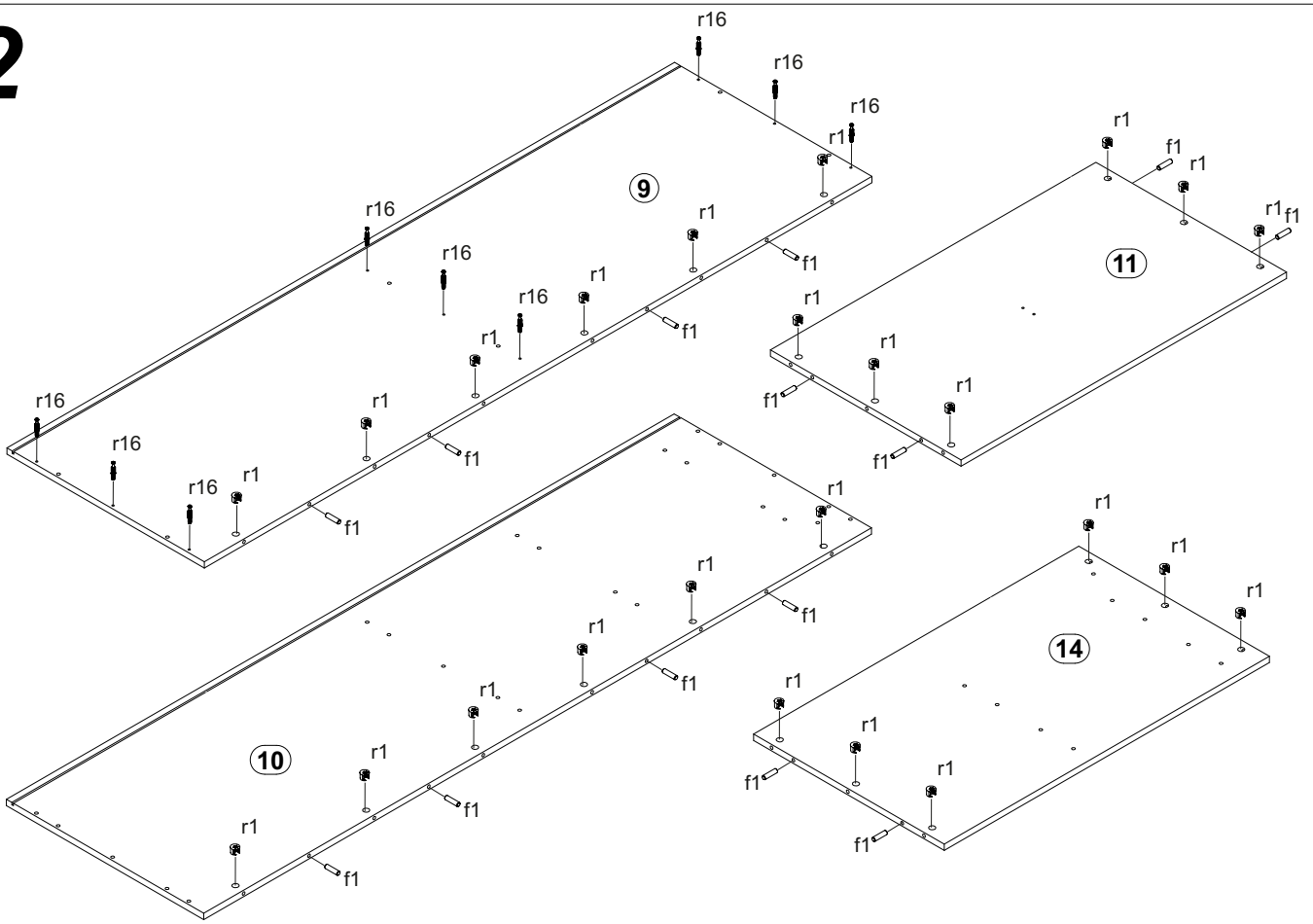


8x a56	8x b6	7x k55	14x p6	25x e1	20x e3	69x f1	2x f6	16x e2
16x d1	45x l1	36x l2	2x n26	2x p38	18x p140	32x p51	2x p17	2x f35
73x r1	4x r10	59x r16	2x phi412.050	4x p9	58x s2	10x n108	1x z1	2x n1
2x p1	1x qb18	3x r28	10x p55	6x w209/1	6x w209/2	8x a67	8x b9	

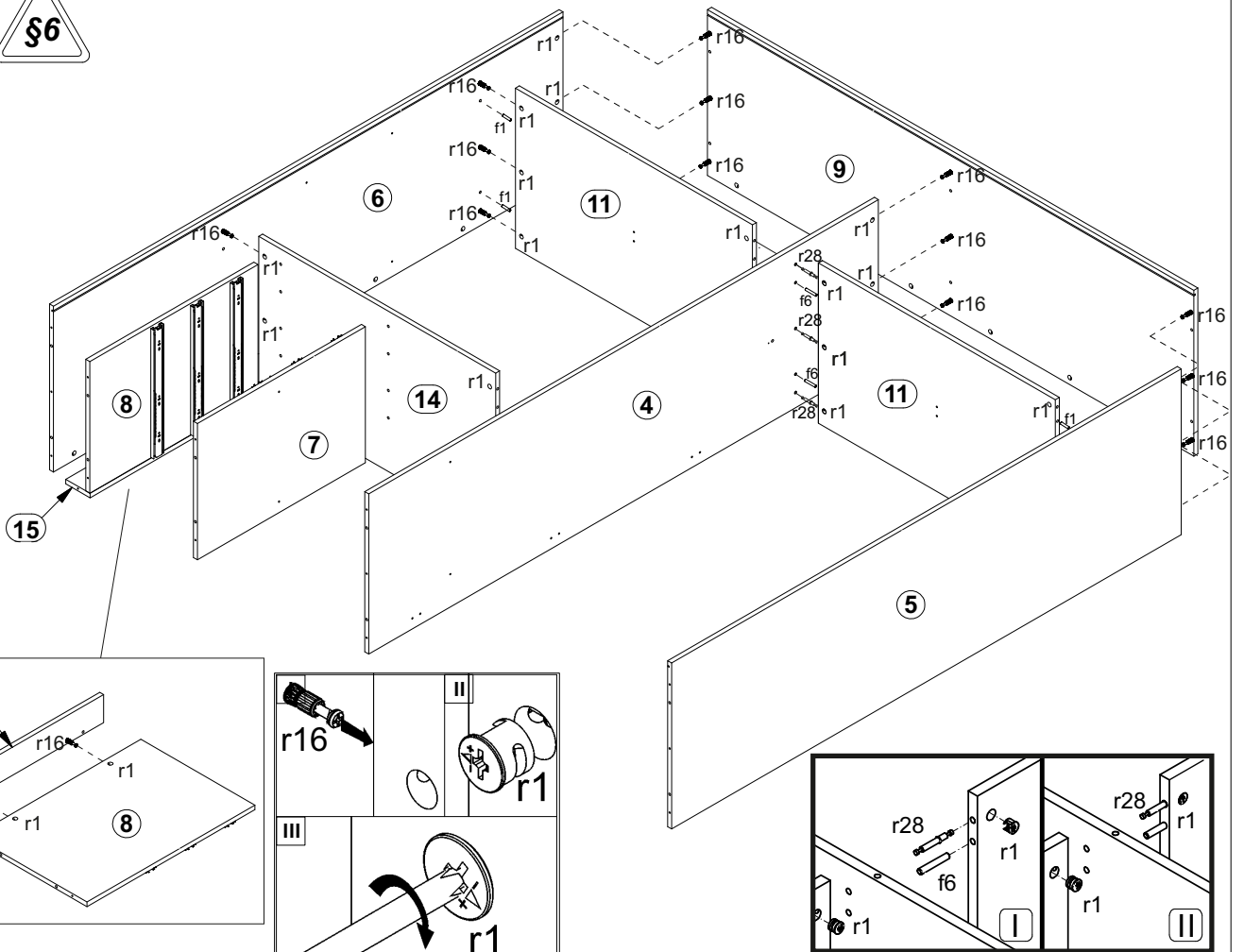
1



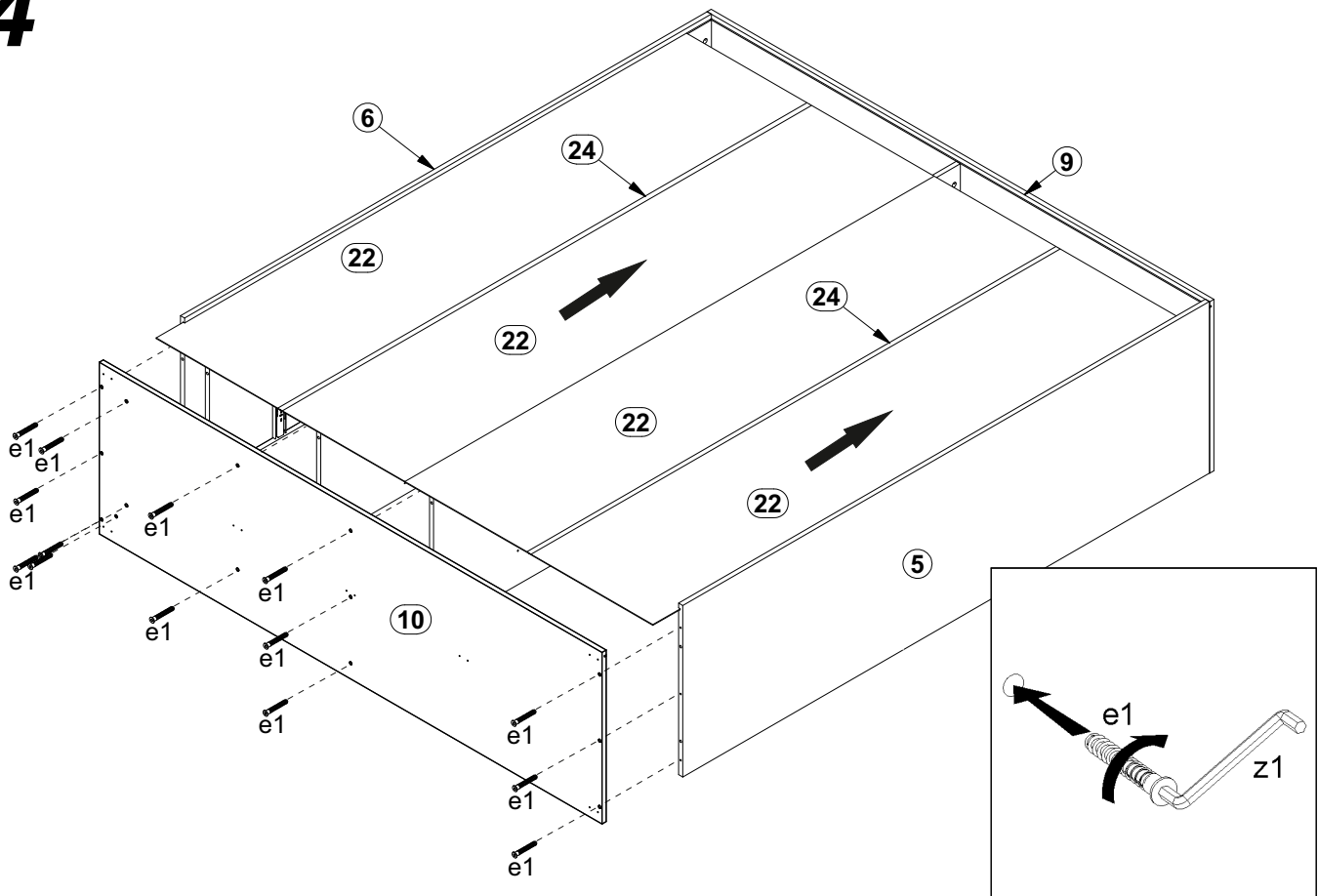
2



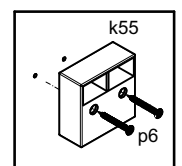
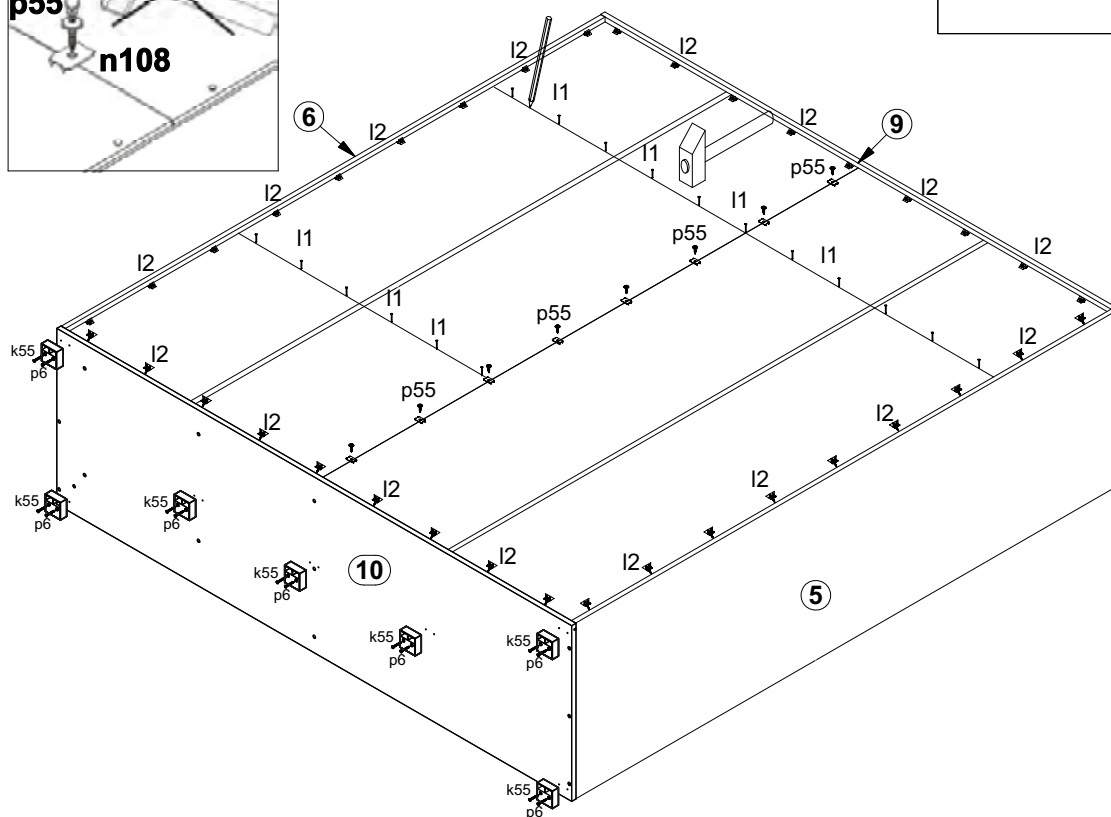
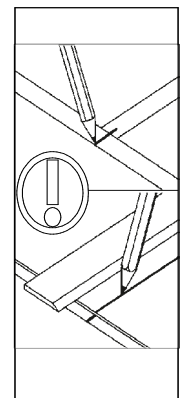
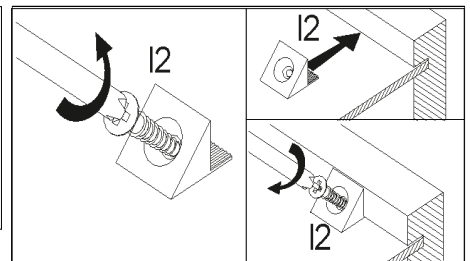
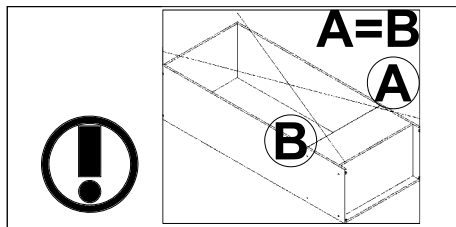
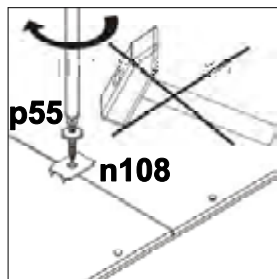
3



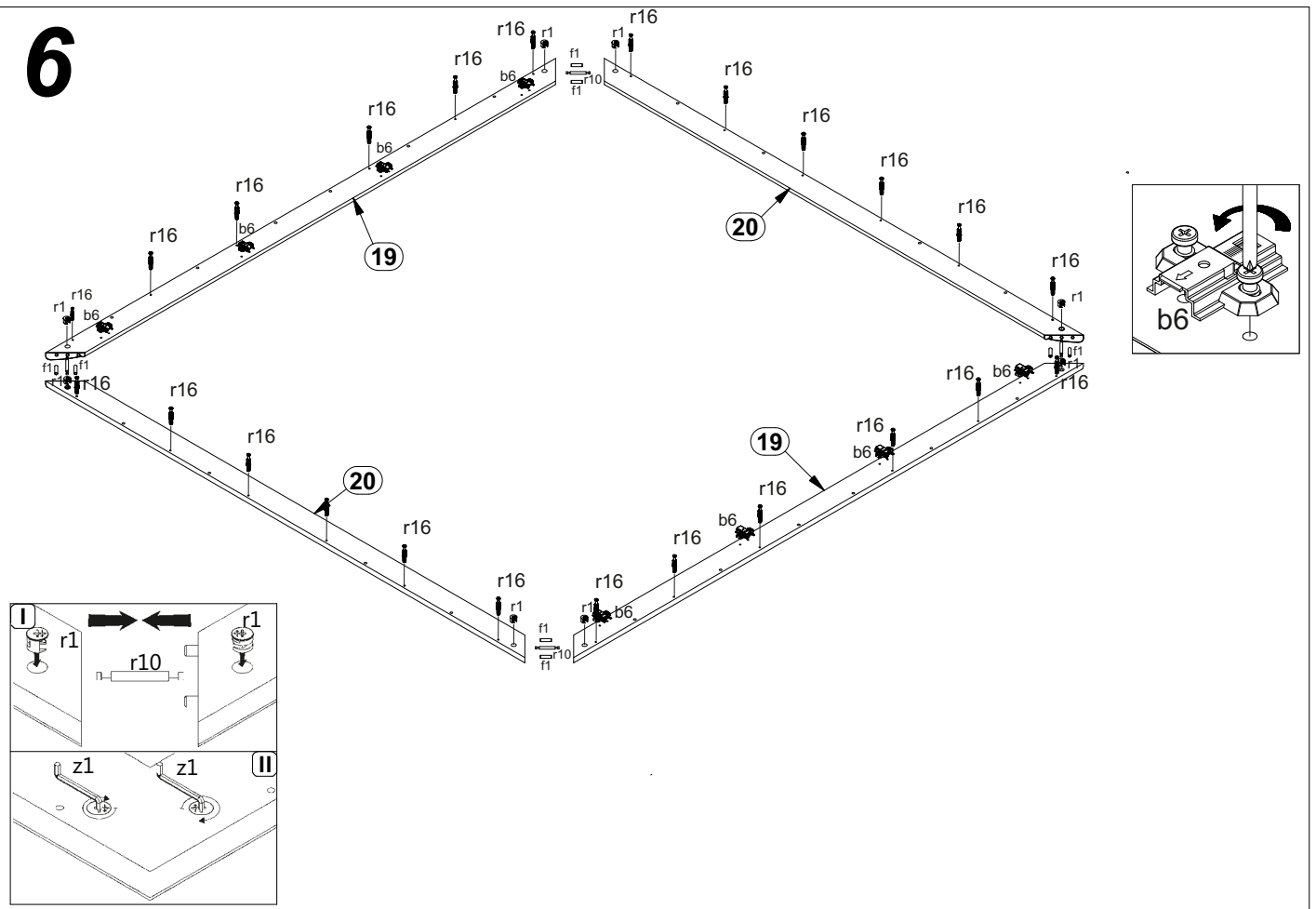
4



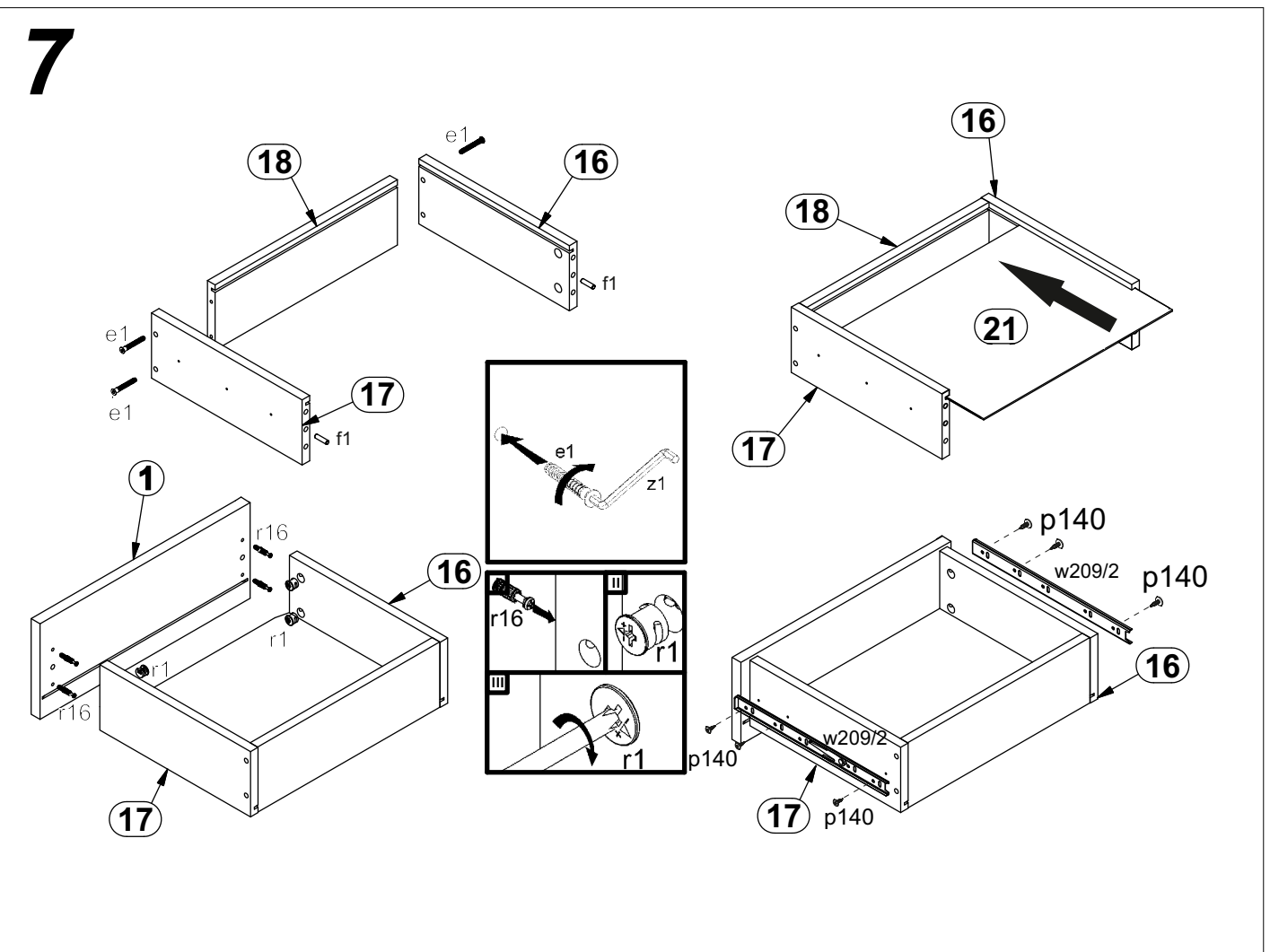
5



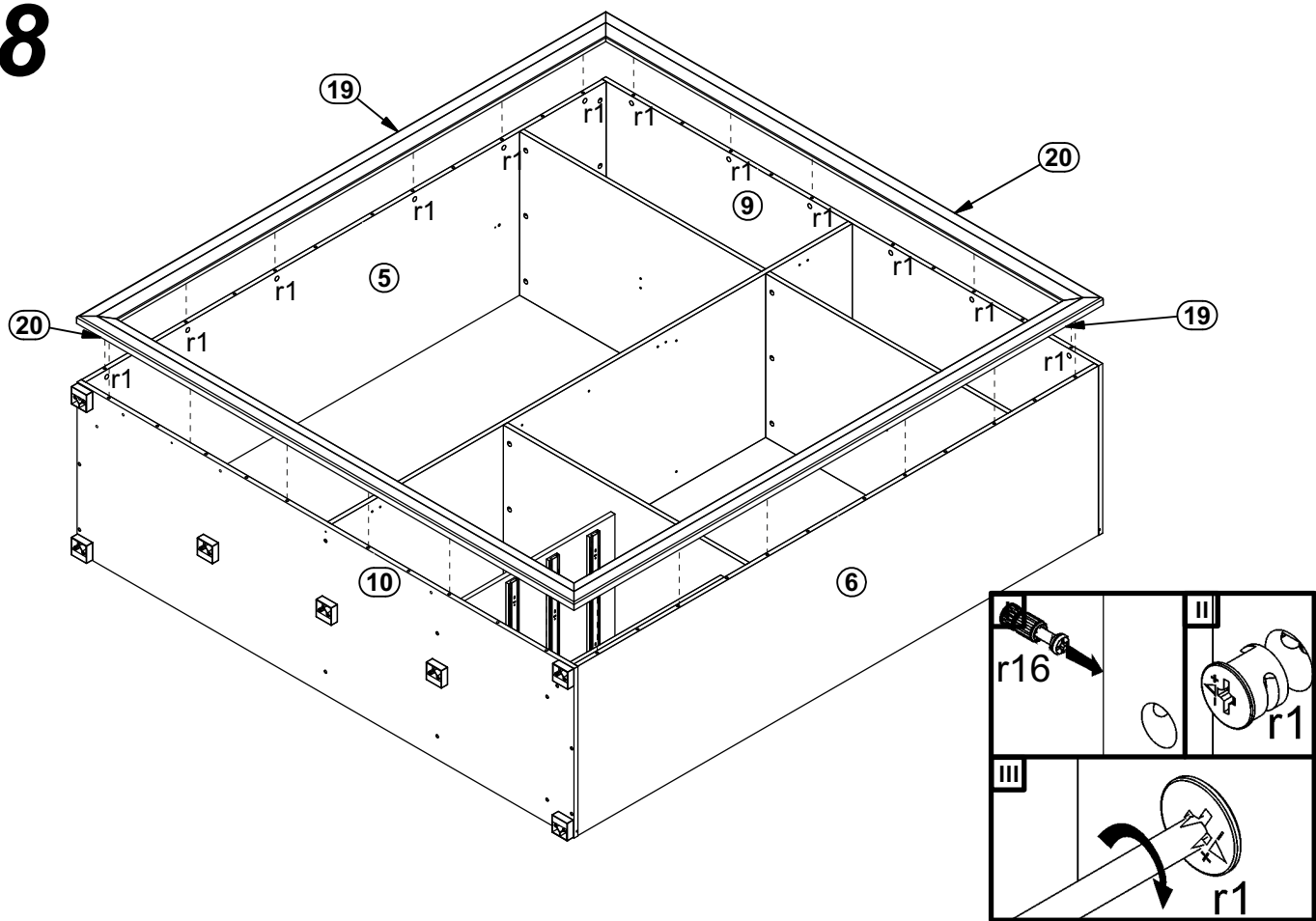
6



7



8



9

