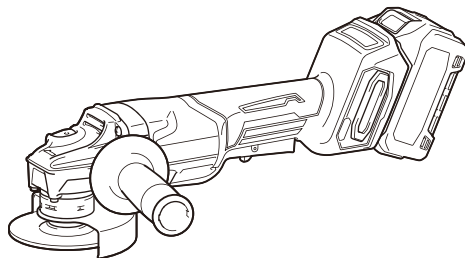


EN	Cordless Angle Grinder	INSTRUCTION MANUAL	7
SV	Batteridrivnen vinkelslipmaskin	BRUKSANVISNING	18
NO	Batteridrevet vinkelsliper	BRUKSANVISNING	29
FI	Akkukäyttöinen kulmahiomakone	KÄYTTÖOHJE	40
DA	Ledningsfri vinkelsliber	BRUGSANVISNING	51
LV	Bezvada leņķa slīpmašīna	LIETOŠANAS INSTRUKCIJA	62
LT	Belaidis kampinis šlifuoκlis	NAUDOJIMO INSTRUKCIJA	73
ET	Juhtmeta nurklihvija	KASUTUSJUHEND	84
RU	Акумуляторная угловая шлифмашина	РУКОВОДСТВО ПО ЭКСПЛУАТАЦИИ	95

**GA011G**  
**GA012G**  
**GA013G**  
**GA014G**  
**GA015G**  
**GA016G**



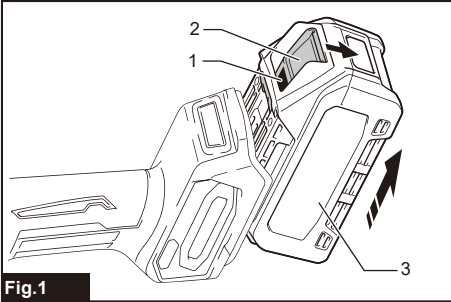


Fig.1

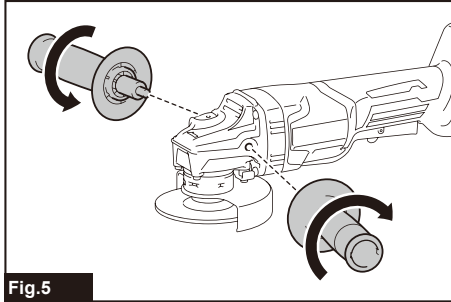


Fig.5

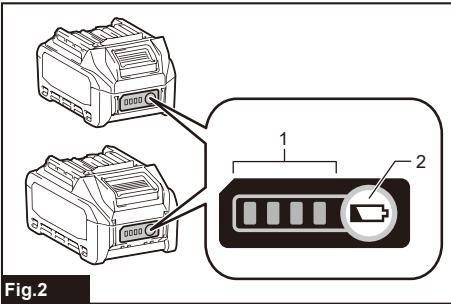


Fig.2

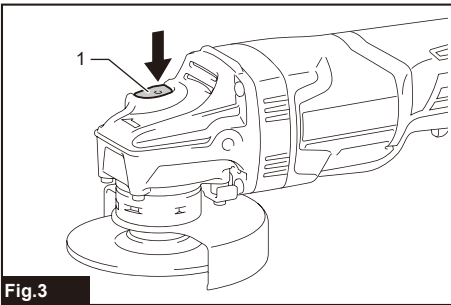


Fig.3

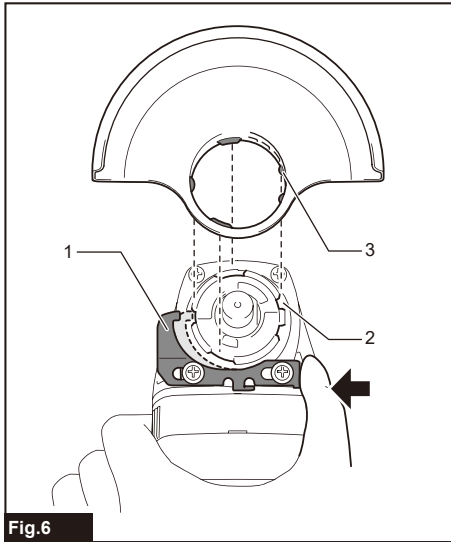


Fig.6

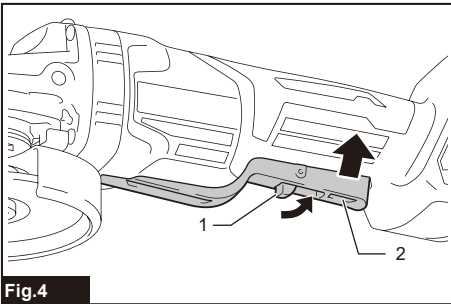


Fig.4

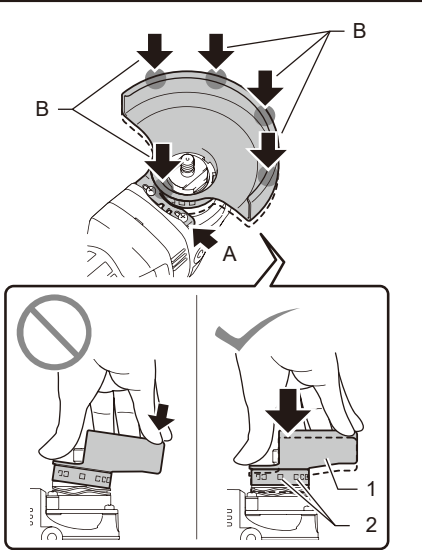


Fig.7

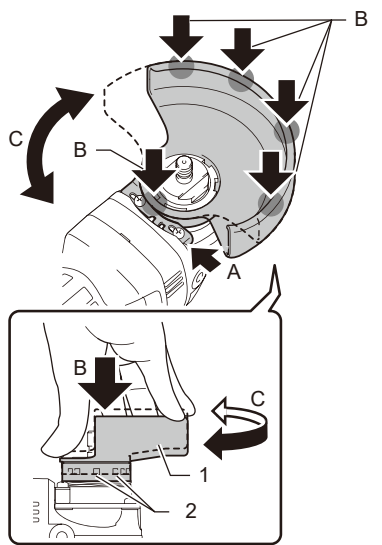


Fig.8

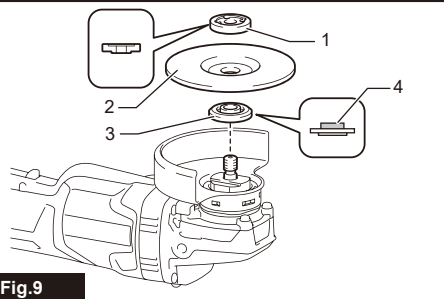


Fig.9

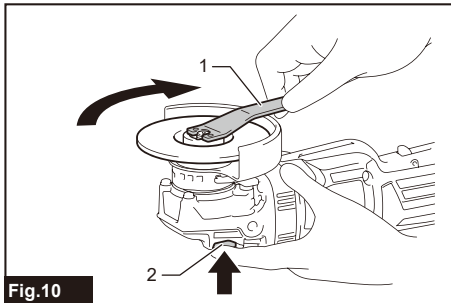


Fig.10

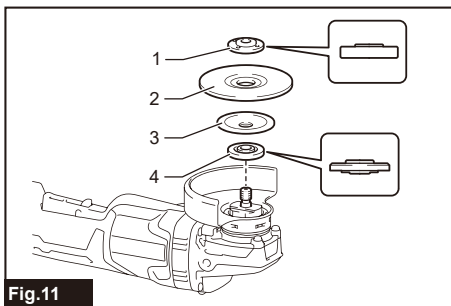


Fig.11

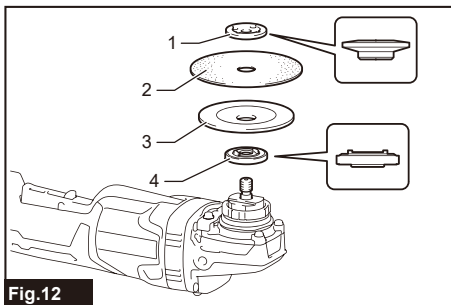


Fig.12

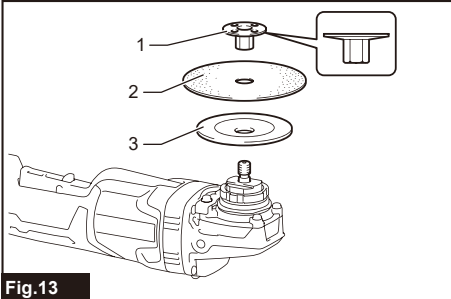


Fig. 13

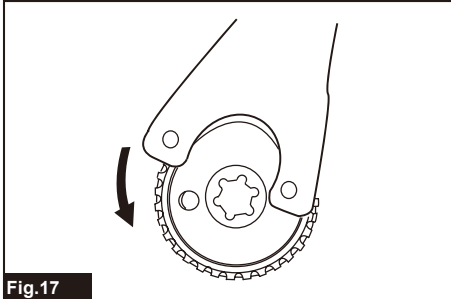


Fig. 17

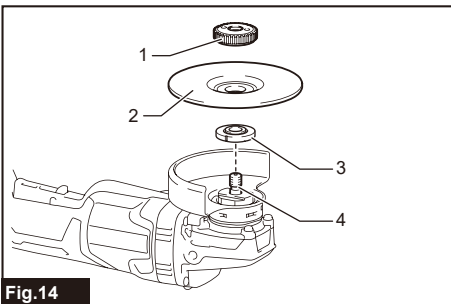


Fig. 14

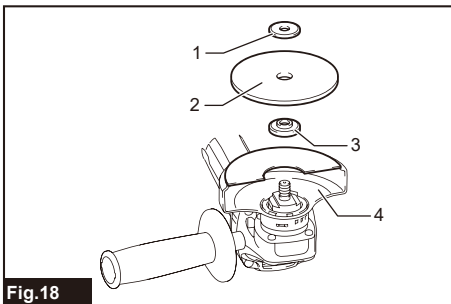


Fig. 18

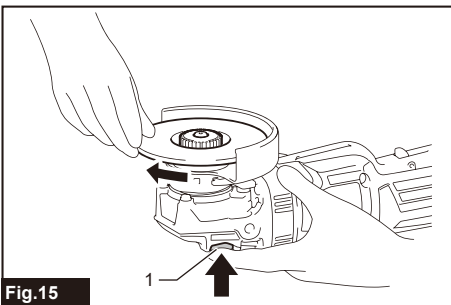


Fig. 15

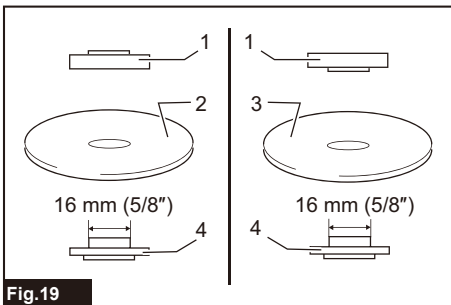


Fig. 19

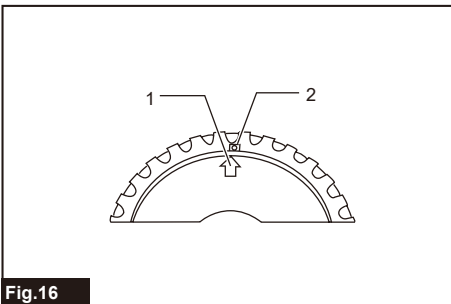


Fig. 16

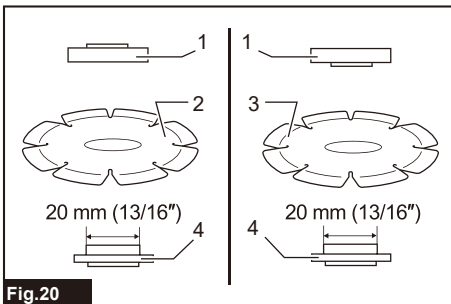


Fig. 20

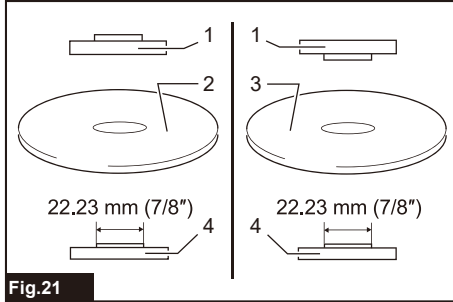


Fig.21

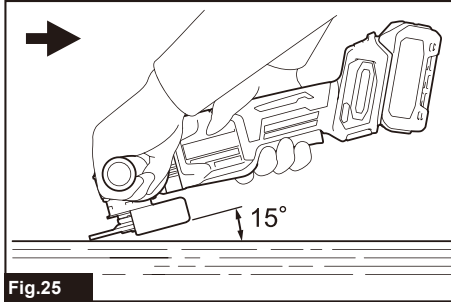


Fig.25

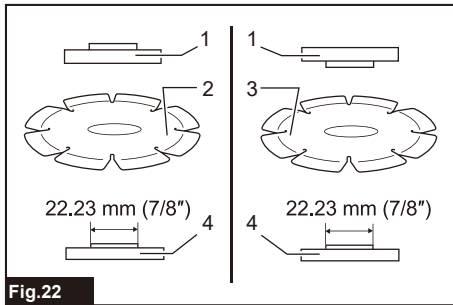


Fig.22

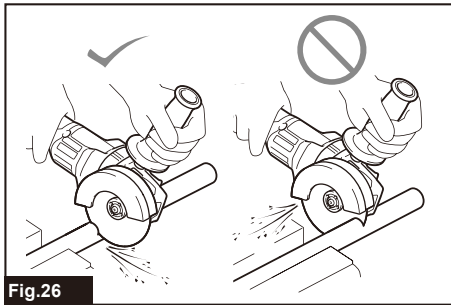


Fig.26

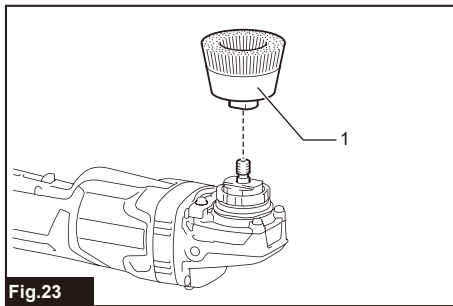


Fig.23

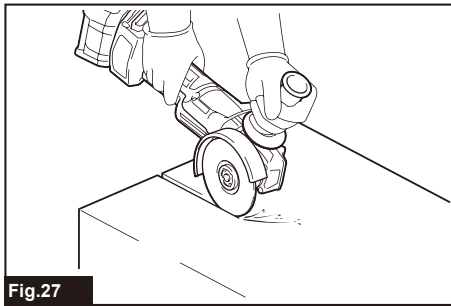


Fig.27

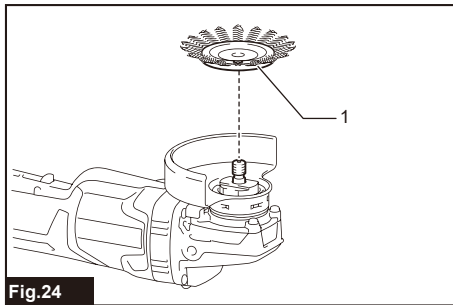


Fig.24

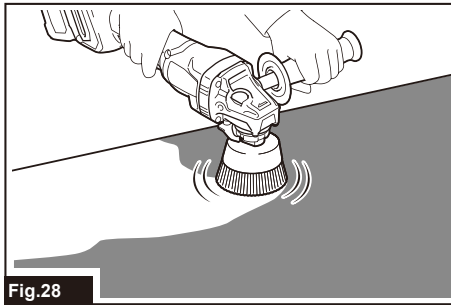


Fig.28

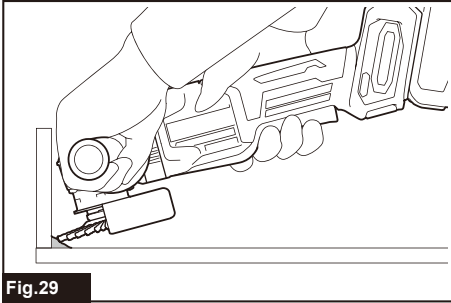


Fig.29

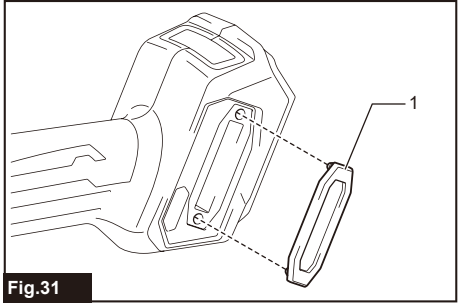


Fig.31

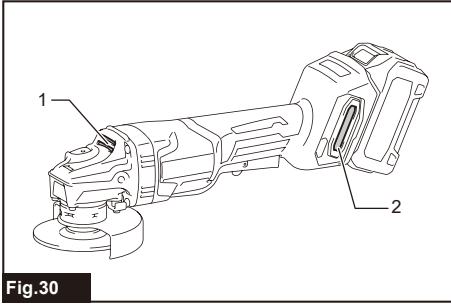


Fig.30

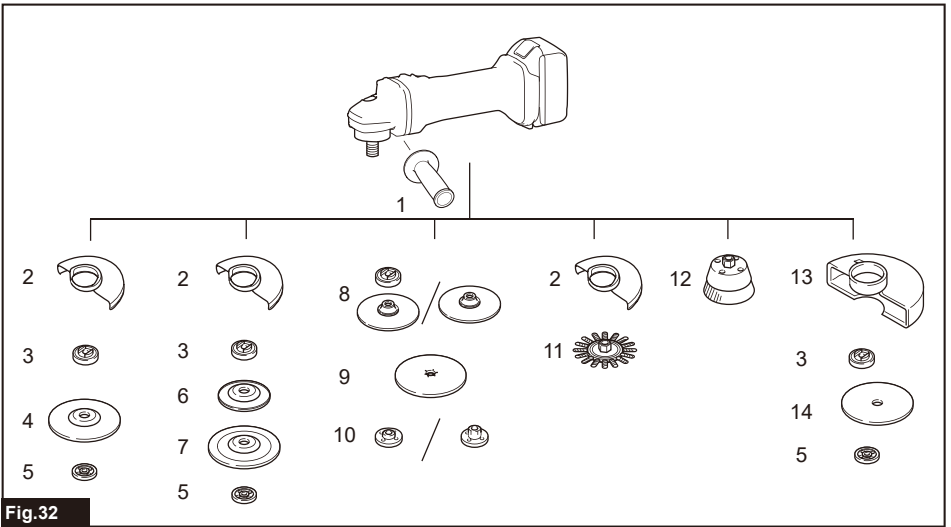


Fig.32

# SPECIFICATIONS

Model:	GA011G	GA012G	GA013G	GA014G	GA015G	GA016G
Wheel diameter	100 mm (4")	115 mm (4-1/2")	125 mm (5")	100 mm (4")	115 mm (4-1/2")	125 mm (5")
Max. wheel thickness	6.4 mm	7.2 mm		6.4 mm	7.2 mm	
Spindle thread	M10	M14 or 5/8" (country specific)		M10	M14 or 5/8" (country specific)	
Rated speed (n)	8,500 min <sup>-1</sup>					
Overall length	with BL4025		398 mm			
	with BL4040		410 mm			
Net weight	2.8 - 3.4 kg	3.0 - 3.6 kg		2.8 - 3.3 kg	2.9 - 3.5 kg	2.9 - 3.6 kg
Rated voltage	D.C. 36 V - 40 V max					

- Due to our continuing program of research and development, the specifications herein are subject to change without notice.
- Specifications may differ from country to country.
- The weight may differ depending on the attachment(s), including the battery cartridge. The lightest and heaviest combination, according to EPTA-Procedure 01/2014, are shown in the table.

## Applicable battery cartridge and charger

Battery cartridge	BL4025 / BL4040
Charger	DC40RA

- Some of the battery cartridges and chargers listed above may not be available depending on your region of residence.

**⚠WARNING:** Only use the battery cartridges and chargers listed above. Use of any other battery cartridges and chargers may cause injury and/or fire.

## Intended use

The tool is intended for grinding, sanding and cutting of metal and stone materials without the use of water.

## Noise

The typical A-weighted noise level determined according to EN60745-2-3:

Model	Sound pressure level (L <sub>PA</sub> ) : (dB(A))	Sound power level (L <sub>WA</sub> ) : (dB(A))	Uncertainty (K) : (dB(A))
GA011G	81	92	3
GA012G	81	92	3
GA013G	82	93	3
GA014G	81	92	3
GA015G	81	92	3
GA016G	82	93	3

**NOTE:** The declared noise emission value(s) has been measured in accordance with a standard test method and may be used for comparing one tool with another.

**NOTE:** The declared noise emission value(s) may also be used in a preliminary assessment of exposure.

**⚠WARNING:** Wear ear protection.

**⚠WARNING:** The noise emission during actual use of the power tool can differ from the declared value(s) depending on the ways in which the tool is used especially what kind of workpiece is processed.

**⚠WARNING:** Be sure to identify safety measures to protect the operator that are based on an estimation of exposure in the actual conditions of use (taking account of all parts of the operating cycle such as the times when the tool is switched off and when it is running idle in addition to the trigger time).

## Vibration

The vibration total value (tri-axial vector sum) determined according to EN60745-2-3:

### Work mode: surface grinding with normal side grip

Model	Vibration emission ( $a_{hv, AG}$ ) : (m/s <sup>2</sup> )	Uncertainty (K) : (m/s <sup>2</sup> )
GA011G	4.5	1.5
GA012G	5.0	1.5
GA013G	6.0	1.5
GA014G	4.5	1.5
GA015G	5.0	1.5
GA016G	6.0	1.5

### Work mode: surface grinding with anti vibration side grip

Model	Vibration emission ( $a_{hv, AG}$ ) : (m/s <sup>2</sup> )	Uncertainty (K) : (m/s <sup>2</sup> )
GA011G	4.5	1.5
GA012G	5.0	1.5
GA013G	6.5	1.5
GA014G	4.5	1.5
GA015G	5.0	1.5
GA016G	6.5	1.5

### Work mode: disc sanding with normal side grip

Model	Vibration emission ( $a_{hv, AG}$ ) : (m/s <sup>2</sup> )	Uncertainty (K) : (m/s <sup>2</sup> )
GA011G	2.5 m/s <sup>2</sup> or less	1.5
GA012G	2.5	1.5
GA013G	3.0	1.5
GA014G	2.5 m/s <sup>2</sup> or less	1.5
GA015G	2.5	1.5
GA016G	3.0	1.5

### Work mode: disc sanding with anti vibration side grip

Model	Vibration emission ( $a_{hv, AG}$ ) : (m/s <sup>2</sup> )	Uncertainty (K) : (m/s <sup>2</sup> )
GA011G	2.5 m/s <sup>2</sup> or less	1.5
GA012G	2.5	1.5
GA013G	3.0	1.5
GA014G	2.5 m/s <sup>2</sup> or less	1.5
GA015G	2.5	1.5
GA016G	3.0	1.5

**NOTE:** The declared vibration total value(s) has been measured in accordance with a standard test method and may be used for comparing one tool with another.

**NOTE:** The declared vibration total value(s) may also be used in a preliminary assessment of exposure.

**⚠WARNING:** The vibration emission during actual use of the power tool can differ from the declared value(s) depending on the ways in which the tool is used especially what kind of workpiece is processed.

**⚠WARNING:** Be sure to identify safety measures to protect the operator that are based on an estimation of exposure in the actual conditions of use (taking account of all parts of the operating cycle such as the times when the tool is switched off and when it is running idle in addition to the trigger time).

**⚠WARNING:** The declared vibration emission value is used for main applications of the power tool. However if the power tool is used for other applications, the vibration emission value may be different.



## EC Declaration of Conformity

### For European countries only

The EC declaration of conformity is included as Annex A to this instruction manual.

## SAFETY WARNINGS

### General power tool safety warnings

**⚠️WARNING:** Read all safety warnings, instructions, illustrations and specifications provided with this power tool. Failure to follow all instructions listed below may result in electric shock, fire and/or serious injury.

### Save all warnings and instructions for future reference.

The term "power tool" in the warnings refers to your mains-operated (corded) power tool or battery-operated (cordless) power tool.

### Cordless grinder safety warnings

#### Safety Warnings Common for Grinding, Sanding, Wire Brushing, or Abrasive Cutting-Off Operations:

1. **This power tool is intended to function as a grinder, sander, wire brush or cut-off tool. Read all safety warnings, instructions, illustrations and specifications provided with this power tool.** Failure to follow all instructions listed below may result in electric shock, fire and/or serious injury.
2. **Operations such as polishing are not recommended to be performed with this power tool.** Operations for which the power tool was not designed may create a hazard and cause personal injury.
3. **Do not use accessories which are not specifically designed and recommended by the tool manufacturer.** Just because the accessory can be attached to your power tool, it does not assure safe operation.
4. **The rated speed of the accessory must be at least equal to the maximum speed marked on the power tool.** Accessories running faster than their rated speed can break and fly apart.
5. **The outside diameter and the thickness of your accessory must be within the capacity rating of your power tool.** Incorrectly sized accessories cannot be adequately guarded or controlled.
6. **Threaded mounting of accessories must match the grinder spindle thread. For accessories mounted by flanges, the arbour hole of the accessory must fit the locating diameter of the flange.** Accessories that do not match the mounting hardware of the power tool will run out of balance, vibrate excessively and may cause loss of control.
7. **Do not use a damaged accessory. Before each use inspect the accessory such as abrasive wheels for chips and cracks, backing pad for cracks, tear or excess wear, wire brush for loose or cracked wires. If power tool or accessory is dropped, inspect for damage or install**

**an undamaged accessory. After inspecting and installing an accessory, position yourself and bystanders away from the plane of the rotating accessory and run the power tool at maximum no-load speed for one minute.** Damaged accessories will normally break apart during this test time.

8. **Wear personal protective equipment. Depending on application, use face shield, safety goggles or safety glasses. As appropriate, wear dust mask, hearing protectors, gloves and workshop apron capable of stopping small abrasive or workpiece fragments.** The eye protection must be capable of stopping flying debris generated by various operations. The dust mask or respirator must be capable of filtering particles generated by your operation. Prolonged exposure to high intensity noise may cause hearing loss.
9. **Keep bystanders a safe distance away from work area. Anyone entering the work area must wear personal protective equipment.** Fragments of workpiece or of a broken accessory may fly away and cause injury beyond immediate area of operation.
10. **Hold the power tool by insulated gripping surfaces only, when performing an operation where the cutting tool may contact hidden wiring.** Contact with a "live" wire will also make exposed metal parts of the power tool "live" and could give the operator an electric shock.
11. **Never lay the power tool down until the accessory has come to a complete stop.** The spinning accessory may grab the surface and pull the power tool out of your control.
12. **Do not run the power tool while carrying it at your side.** Accidental contact with the spinning accessory could snag your clothing, pulling the accessory into your body.
13. **Regularly clean the power tool's air vents.** The motor's fan will draw the dust inside the housing and excessive accumulation of powdered metal may cause electrical hazards.
14. **Do not operate the power tool near flammable materials.** Sparks could ignite these materials.
15. **Do not use accessories that require liquid coolants.** Using water or other liquid coolants may result in electrocution or shock.

#### Kickback and Related Warnings

Kickback is a sudden reaction to a pinched or snagged rotating wheel, backing pad, brush or any other accessory. Pinching or snagging causes rapid stalling of the rotating accessory which in turn causes the uncontrolled power tool to be forced in the direction opposite of the accessory's rotation at the point of the binding. For example, if an abrasive wheel is snagged or pinched by the workpiece, the edge of the wheel that is entering into the pinch point can dig into the surface of the material causing the wheel to climb out or kick out. The wheel may either jump toward or away from the operator, depending on direction of the wheel's movement at the point of pinching. Abrasive wheels may also break under these conditions. Kickback is the result of power tool misuse and/or incorrect operating procedures or conditions and can be avoided by taking proper precautions as given below.

1. **Maintain a firm grip on the power tool and position your body and arm to allow you to resist kickback forces. Always use auxiliary handle, if provided, for maximum control over kickback or torque reaction during start-up.** The operator can control torque reactions or kickback forces, if proper precautions are taken.
2. **Never place your hand near the rotating accessory.** Accessory may kickback over your hand.
3. **Do not position your body in the area where power tool will move if kickback occurs.** Kickback will propel the tool in direction opposite to the wheel's movement at the point of snagging.
4. **Use special care when working corners, sharp edges etc. Avoid bouncing and snagging the accessory.** Corners, sharp edges or bouncing have a tendency to snag the rotating accessory and cause loss of control or kickback.
5. **Do not attach a saw chain woodcarving blade or toothed saw blade.** Such blades create frequent kickback and loss of control.

#### **Safety Warnings Specific for Grinding and Abrasive Cutting-Off Operations:**

1. **Use only wheel types that are recommended for your power tool and the specific guard designed for the selected wheel.** Wheels for which the power tool was not designed cannot be adequately guarded and are unsafe.
2. **The grinding surface of centre depressed wheels must be mounted below the plane of the guard lip.** An improperly mounted wheel that projects through the plane of the guard lip cannot be adequately protected.
3. **The guard must be securely attached to the power tool and positioned for maximum safety, so the least amount of wheel is exposed towards the operator.** The guard helps to protect the operator from broken wheel fragments, accidental contact with wheel and sparks that could ignite clothing.
4. **Wheels must be used only for recommended applications. For example: do not grind with the side of cut-off wheel.** Abrasive cut-off wheels are intended for peripheral grinding, side forces applied to these wheels may cause them to shatter.
5. **Always use undamaged wheel flanges that are of correct size and shape for your selected wheel.** Proper wheel flanges support the wheel thus reducing the possibility of wheel breakage. Flanges for cut-off wheels may be different from grinding wheel flanges.
6. **Do not use worn down wheels from larger power tools.** Wheel intended for larger power tool is not suitable for the higher speed of a smaller tool and may burst.

#### **Additional Safety Warnings Specific for Abrasive Cutting-Off Operations:**

1. **Do not "jam" the cut-off wheel or apply excessive pressure. Do not attempt to make an excessive depth of cut.** Overstressing the wheel increases the loading and susceptibility to twisting or binding of the wheel in the cut and the possibility of kickback or wheel breakage.

2. **Do not position your body in line with and behind the rotating wheel.** When the wheel, at the point of operation, is moving away from your body, the possible kickback may propel the spinning wheel and the power tool directly at you.
3. **When wheel is binding or when interrupting a cut for any reason, switch off the power tool and hold the power tool motionless until the wheel comes to a complete stop. Never attempt to remove the cut-off wheel from the cut while the wheel is in motion otherwise kickback may occur.** Investigate and take corrective action to eliminate the cause of wheel binding.
4. **Do not restart the cutting operation in the workpiece. Let the wheel reach full speed and carefully re-enter the cut.** The wheel may bind, walk up or kickback if the power tool is restarted in the workpiece.
5. **Support panels or any oversized workpiece to minimize the risk of wheel pinching and kickback.** Large workpieces tend to sag under their own weight. Supports must be placed under the workpiece near the line of cut and near the edge of the workpiece on both sides of the wheel.
6. **Use extra caution when making a "pocket cut" into existing walls or other blind areas.** The protruding wheel may cut gas or water pipes, electrical wiring or objects that can cause kickback.

#### **Safety Warnings Specific for Sanding Operations:**

1. **Do not use excessively oversized sanding disc paper. Follow manufacturers recommendations, when selecting sanding paper.** Larger sanding paper extending beyond the sanding pad presents a laceration hazard and may cause snagging, tearing of the disc or kickback.

#### **Safety Warnings Specific for Wire Brushing Operations:**

1. **Be aware that wire bristles are thrown by the brush even during ordinary operation. Do not overstress the wires by applying excessive load to the brush.** The wire bristles can easily penetrate light clothing and/or skin.
2. **If the use of a guard is recommended for wire brushing, do not allow any interference of the wire wheel or brush with the guard.** Wire wheel or brush may expand in diameter due to work load and centrifugal forces.

#### **Additional Safety Warnings:**

1. **When using depressed centre grinding wheels, be sure to use only fiberglass-reinforced wheels.**
2. **NEVER USE Stone Cup type wheels with this grinder.** This grinder is not designed for these types of wheels and the use of such a product may result in serious personal injury.
3. **Be careful not to damage the spindle, the flange (especially the installing surface) or the lock nut. Damage to these parts could result in wheel breakage.**
4. **Make sure the wheel is not contacting the workpiece before the switch is turned on.**
5. **Before using the tool on an actual workpiece, let it run for a while. Watch for vibration or wobbling that could indicate poor installation or a poorly balanced wheel.**

6. Use the specified surface of the wheel to perform the grinding.
7. Do not leave the tool running. Operate the tool only when hand-held.
8. Do not touch the workpiece immediately after operation; it may be extremely hot and could burn your skin.
9. Observe the instructions of the manufacturer for correct mounting and use of wheels. Handle and store wheels with care.
10. Do not use separate reducing bushings or adaptors to adapt large hole abrasive wheels.
11. Use only flanges specified for this tool.
12. For tools intended to be fitted with threaded hole wheel, ensure that the thread in the wheel is long enough to accept the spindle length.
13. Check that the workpiece is properly supported.
14. Pay attention that the wheel continues to rotate after the tool is switched off.
15. If working place is extremely hot and humid, or badly polluted by conductive dust, use a short-circuit breaker (30 mA) to assure operator safety.
16. Do not use the tool on any materials containing asbestos.
17. When use cut-off wheel, always work with the dust collecting wheel guard required by domestic regulation.
18. Cutting discs must not be subjected to any lateral pressure.
19. Do not use cloth work gloves during operation. Fibers from cloth gloves may enter the tool, which causes tool breakage.

## SAVE THESE INSTRUCTIONS.

**⚠WARNING:** DO NOT let comfort or familiarity with product (gained from repeated use) replace strict adherence to safety rules for the subject product. MISUSE or failure to follow the safety rules stated in this instruction manual may cause serious personal injury.

### Important safety instructions for battery cartridge

1. Before using battery cartridge, read all instructions and cautionary markings on (1) battery charger, (2) battery, and (3) product using battery.
2. Do not disassemble or tamper the battery cartridge. It may result in a fire, excessive heat, or explosion.
3. If operating time has become excessively shorter, stop operating immediately. It may result in a risk of overheating, possible burns and even an explosion.
4. If electrolyte gets into your eyes, rinse them out with clear water and seek medical attention right away. It may result in loss of your eyesight.
5. Do not short the battery cartridge:
  - (1) Do not touch the terminals with any conductive material.
  - (2) Avoid storing battery cartridge in a container with other metal objects such as nails, coins, etc.

(3) Do not expose battery cartridge to water or rain.

A battery short can cause a large current flow, overheating, possible burns and even a breakdown.

6. Do not store the tool and battery cartridge in locations where the temperature may reach or exceed 50 °C (122 °F).
7. Do not incinerate the battery cartridge even if it is severely damaged or is completely worn out. The battery cartridge can explode in a fire.
8. Do not nail, cut, crush, throw, drop the battery cartridge, or hit against a hard object to the battery cartridge. Such conduct may result in a fire, excessive heat, or explosion.
9. Do not use a damaged battery.
10. The contained lithium-ion batteries are subject to the Dangerous Goods Legislation requirements.
 

For commercial transports e.g. by third parties, forwarding agents, special requirement on packaging and labeling must be observed. For preparation of the item being shipped, consulting an expert for hazardous material is required. Please also observe possibly more detailed national regulations.

Tape or mask off open contacts and pack up the battery in such a manner that it cannot move around in the packaging.
11. When disposing the battery cartridge, remove it from the tool and dispose of it in a safe place. Follow your local regulations relating to disposal of battery.

12. Use the batteries only with the products specified by Makita. Installing the batteries to non-compliant products may result in a fire, excessive heat, explosion, or leak of electrolyte.
13. If the tool is not used for a long period of time, the battery must be removed from the tool.
14. During and after use, the battery cartridge may take on heat which can cause burns or low temperature burns. Pay attention to the handling of hot battery cartridges.
15. Do not touch the terminal of the tool immediately after use as it may get hot enough to cause burns.
16. Do not allow chips, dust, or soil stuck into the terminals, holes, and grooves of the battery cartridge. It may result in poor performance or breakdown of the tool or battery cartridge.
17. Unless the tool supports the use near a high-voltage electrical power lines, do not use the battery cartridge near a high-voltage electrical power lines. It may result in a malfunction or breakdown of the tool or battery cartridge.

## SAVE THESE INSTRUCTIONS.

**⚠CAUTION:** Only use genuine Makita batteries. Use of non-genuine Makita batteries, or batteries that have been altered, may result in the battery bursting causing fires, personal injury and damage. It will also void the Makita warranty for the Makita tool and charger.

## Tips for maintaining maximum battery life

1. Charge the battery cartridge before completely discharged. Always stop tool operation and charge the battery cartridge when you notice less tool power.
2. Never recharge a fully charged battery cartridge. Overcharging shortens the battery service life.
3. Charge the battery cartridge with room temperature at 10 °C - 40 °C (50 °F - 104 °F). Let a hot battery cartridge cool down before charging it.
4. When not using the battery cartridge, remove it from the tool or the charger.
5. Charge the battery cartridge if you do not use it for a long period (more than six months).

## FUNCTIONAL DESCRIPTION

**CAUTION:** Always be sure that the tool is switched off and the battery cartridge is removed before adjusting or checking function on the tool.

## Installing or removing battery cartridge

**CAUTION:** Always switch off the tool before installing or removing of the battery cartridge.

**CAUTION:** Hold the tool and the battery cartridge firmly when installing or removing battery cartridge. Failure to hold the tool and the battery cartridge firmly may cause them to slip off your hands and result in damage to the tool and battery cartridge and a personal injury.

► Fig.1: 1. Red indicator 2. Button 3. Battery cartridge

To remove the battery cartridge, slide it from the tool while sliding the button on the front of the cartridge.

To install the battery cartridge, align the tongue on the battery cartridge with the groove in the housing and slip it into place. Insert it all the way until it locks in place with a little click. If you can see the red indicator on the upper side of the button, it is not locked completely.

**CAUTION:** Always install the battery cartridge fully until the red indicator cannot be seen. If not, it may accidentally fall out of the tool, causing injury to you or someone around you.

**CAUTION:** Do not install the battery cartridge forcibly. If the cartridge does not slide in easily, it is not being inserted correctly.

## Indicating the remaining battery capacity

Press the check button on the battery cartridge to indicate the remaining battery capacity. The indicator lamps light up for a few seconds.

► Fig.2: 1. Indicator lamps 2. Check button

Indicator lamps			Remaining capacity
Lighted	Off	Blinking	
■ ■ ■ ■			75% to 100%
■ ■ ■ □			50% to 75%
■ ■ □ □			25% to 50%
■ □ □ □			0% to 25%
▣ □ □ □			Charge the battery.
■ ■ □ □	□ □	■ ■	The battery may have malfunctioned.

**NOTE:** Depending on the conditions of use and the ambient temperature, the indication may differ slightly from the actual capacity.

## Tool / battery protection system

The tool is equipped with a tool/battery protection system. This system automatically cuts off power to the motor to extend tool and battery life. The tool will automatically stop during operation if the tool or battery is placed under one of the following conditions:

### Overload protection

When the tool/battery is operated in a manner that causes it to draw an abnormally high current, the tool automatically stops without any indication. In this situation, turn the tool off and stop the application that caused the tool to become overloaded. Then turn the tool on to restart.

### Overheat protection

When the tool/battery is overheated, the tool stops automatically. Let the tool cool down before turning the tool on again.

### Overdischarge protection

When the battery capacity is not enough, the tool stops automatically. In this case, remove the battery from the tool and charge the battery.

### Releasing protection lock

When the protection system works repeatedly, the tool is locked. In this situation, the tool does not start even if turning the tool off and on. To release the protection lock, remove the battery, set it to the battery charger and wait until the charging finishes.

## Shaft lock

Press the shaft lock to prevent spindle rotation when installing or removing accessories.

► Fig.3: 1. Shaft lock

**NOTICE:** Never actuate the shaft lock when the spindle is moving. The tool may be damaged.

## Switch action

**CAUTION:** Before installing the battery cartridge into the tool, always check to see that the switch lever actuates properly and returns to the "OFF" position when released.

**CAUTION:** For your safety, this tool is equipped with lock-off lever which prevents the tool from unintended starting. NEVER use the tool if it runs when you simply pull the switch lever without pulling the lock-off lever. Return the tool to our authorized service center for proper repairs BEFORE further usage.

**CAUTION:** Do not pull the switch lever hard without pulling the lock-off lever. This can cause switch breakage.

**CAUTION:** NEVER tape down or defeat purpose and function of lock-off lever.

► Fig.4: 1. Lock-off lever 2. Switch lever

To prevent the switch lever from being accidentally pulled, a lock-off lever is provided.

To start the tool, pull the lock-off lever toward the operator and then pull the switch lever.

To stop the tool, release the switch lever.

## Accidental re-start preventive function

When installing the battery cartridge while pulling the switch lever, the tool does not start.

To start the tool, first release the switch lever. Then pull the lock-off lever, and pull the switch lever.

## Electronic torque control function

The tool electronically detects situations where the wheel or accessory may be at risk to be bound. In the situation, the tool is automatically shut off to prevent further rotation of the spindle (it does not prevent kickback).

To restart the tool, switch off the tool first, remove the cause of sudden drop in the rotation speed, and then turn the tool on.

## Soft start feature

Soft start feature reduces starting reaction.

## Electric brake

**Only for model GA011G / GA012G / GA013G**

Electric brake is activated after the tool is switched off. The brake does not work when the power supply is shut down, such as the battery is removed accidentally, with the switch still on.

# ASSEMBLY

**CAUTION:** Always be sure that the tool is switched off and the battery cartridge is removed before adjusting or checking function on the tool.

## Installing side grip (handle)

**CAUTION:** Always be sure that the side grip is installed securely before operation.

Screw the side grip securely on the position of the tool as shown in the figure.

► Fig.5

## Installing or removing wheel guard

**WARNING:** When using a depressed center wheel, flap disc, flex wheel or wire wheel brush, the wheel guard must be fitted on the tool so that the closed side of the guard always points toward the operator.

**WARNING:** Make sure that the wheel guard is securely locked by the lock lever with one of the holes on the wheel guard.

**WARNING:** When using an abrasive cut-off / diamond wheel, be sure to use only the special wheel guard designed for use with cut-off wheels.

(In some European countries, when using a diamond wheel, the ordinary guard can be used. Follow the regulations in your country.)

## For depressed center wheel, flap disc, flex wheel, wire wheel brush / abrasive cut-off wheel, diamond wheel

1. While pushing the lock lever, mount the wheel guard with the protrusions on the wheel guard aligned with the notches on the bearing box.

► Fig.6: 1. Lock lever 2. Notch 3. Protrusion

2. While pushing the lock lever toward A, push in the wheel guard by holding down the portions B as shown in the figure.

► Fig.7: 1. Wheel guard 2. Hole

**NOTE:** Push down the wheel guard straight. Otherwise, you cannot push the wheel guard completely.

3. While keeping the lock lever and wheel guard position as described in step 2, rotate the wheel guard toward C, and then, change the angle of the wheel guard according to the work.

► Fig.8: 1. Wheel guard 2. Hole

**NOTE:** Push the wheel guard completely. Otherwise, you cannot rotate the wheel guard.

To remove wheel guard, follow the installation procedure in reverse.

## Installing or removing depressed center wheel or flap disc

### Optional accessory

**⚠WARNING:** When using a depressed center wheel or flap disc, the wheel guard must be fitted on the tool so that the closed side of the guard always points toward the operator.

**⚠CAUTION:** Make sure that the mounting part of the inner flange fits into the inner diameter of the depressed center wheel / flap disc perfectly. Mounting the inner flange on the wrong side may result in the dangerous vibration.

Mount the inner flange onto the spindle. Make sure to fit the dented part of the inner flange onto the straight part at the bottom of the spindle. Fit the depressed center wheel / flap disc on the inner flange and screw the lock nut onto the spindle.

► **Fig.9:** 1. Lock nut 2. Depressed center wheel 3. Inner flange 4. Mounting part

To tighten the lock nut, press the shaft lock firmly so that the spindle cannot revolve, then use the lock nut wrench and securely tighten clockwise.

► **Fig.10:** 1. Lock nut wrench 2. Shaft lock

To remove the wheel, follow the installation procedure in reverse.

## Installing or removing flex wheel

### Optional accessory

**⚠WARNING:** Always use supplied guard when flex wheel is on tool. Wheel can shatter during use and guard helps to reduce chances of personal injury.

► **Fig.11:** 1. Lock nut 2. Flex wheel 3. Back up pad 4. Inner flange

Follow instructions for depressed center wheel but also use back up pad over wheel. See order of assembly on accessories page in this manual.

## Installing or removing abrasive disc

### Optional accessory

**NOTE:** Use sander accessories specified in this manual. These must be purchased separately.

### For 100 mm (4") model

► **Fig.12:** 1. Sanding lock nut 2. Abrasive disc 3. Rubber pad 4. Inner flange

1. Mount the inner flange onto the spindle.
2. Mount the rubber pad onto the spindle.
3. Fit the disc on the rubber pad and screw the sanding lock nut onto the spindle.
4. Hold the spindle with the shaft lock, and securely tighten the sanding lock nut clockwise with the lock nut wrench.

To remove the disc, follow the installation procedure in reverse.

### For 115 mm (4 - 1/2") / 125 mm (5") model

► **Fig.13:** 1. Sanding lock nut 2. Abrasive disc 3. Rubber pad

1. Mount the rubber pad onto the spindle.
2. Fit the disc on the rubber pad and screw the sanding lock nut onto the spindle.
3. Hold the spindle with the shaft lock, and securely tighten the sanding lock nut clockwise with the lock nut wrench.

To remove the disc, follow the installation procedure in reverse.

## Installing or removing Ezynut

### Optional accessory

**⚠CAUTION:** Do not use Ezynut with Super Flange or angle grinder with "F" on the end of the model No. Those flanges are so thick that the entire thread cannot be retained by the spindle.

► **Fig.14:** 1. Ezynut 2. Abrasive wheel 3. Inner flange 4. Spindle

Mount inner flange, abrasive wheel and Ezynut onto the spindle so that Makita Logo on Ezynut faces outside.

► **Fig.15:** 1. Shaft lock

Press shaft lock firmly and tighten Ezynut by turning the abrasive wheel clockwise as far as it turns. Turn the outside ring of Ezynut counterclockwise to loosen.

► **Fig.16:** 1. Arrow 2. Notch

► **Fig.17**

**NOTE:** Ezynut can be loosened by hand as long as the arrow points the notch. Otherwise a lock nut wrench is required to loosen it. Insert one pin of the wrench into a hole and turn Ezynut counterclockwise.

## Installing abrasive cut-off / diamond wheel

### Optional accessory

**⚠WARNING:** When using an abrasive cut-off / diamond wheel, be sure to use only the special wheel guard designed for use with cut-off wheels.

(In some European countries, when using a diamond wheel, the ordinary guard can be used. Follow the regulations in your country.)

**⚠WARNING:** NEVER use cut-off wheel for side grinding.

► **Fig.18:** 1. Lock nut 2. Abrasive cut-off wheel / diamond wheel 3. Inner flange 4. Wheel guard for abrasive cut-off wheel / diamond wheel

As for the installation, follow the instructions for depressed center wheel.

**The direction for mounting the lock nut and the inner flange varies by wheel type and thickness.** Refer to the following figures.

## For 100 mm (4") model

### When installing the abrasive cut-off wheel:

- **Fig.19:** 1. Lock nut 2. Abrasive cut-off wheel (Thinner than 4 mm (5/32")) 3. Abrasive cut-off wheel (4 mm (5/32") or thicker) 4. Inner flange

### When installing the diamond wheel:

- **Fig.20:** 1. Lock nut 2. Diamond wheel (Thinner than 4 mm (5/32")) 3. Diamond wheel (4 mm (5/32") or thicker) 4. Inner flange

## For 115 mm (4 - 1/2") / 125 mm (5") model

### When installing the abrasive cut-off wheel:

- **Fig.21:** 1. Lock nut 2. Abrasive cut-off wheel (Thinner than 4 mm (5/32")) 3. Abrasive cut-off wheel (4 mm (5/32") or thicker) 4. Inner flange

### When installing the diamond wheel:

- **Fig.22:** 1. Lock nut 2. Diamond wheel (Thinner than 4 mm (5/32")) 3. Diamond wheel (4 mm (5/32") or thicker) 4. Inner flange

## Installing wire cup brush

### Optional accessory

**⚠ CAUTION:** Do not use brush that is damaged, or which is out of balance. Use of damaged brush could increase potential for injury from contact with broken brush wires.

- **Fig.23:** 1. Wire cup brush

Remove the battery cartridge from the tool and place it upside down allowing easy access to spindle.

Remove any accessories on spindle. Thread wire cup brush onto spindle and tighten with supplied wrench.

## Installing wire wheel brush

### Optional accessory

**⚠ CAUTION:** Do not use wire wheel brush that is damaged, or which is out of balance. Use of damaged wire wheel brush could increase potential for injury from contact with broken wires.

**⚠ CAUTION:** ALWAYS use guard with wire wheel brushes, assuring diameter of wheel fits inside guard. Wheel can shatter during use and guard helps to reduce chances of personal injury.

- **Fig.24:** 1. Wire wheel brush

Remove the battery cartridge from the tool and place it upside down allowing easy access to spindle.

Remove any accessories on spindle. Thread wire wheel brush onto spindle and tighten with the wrenches.

## OPERATION

**⚠ WARNING:** It should never be necessary to force the tool. The weight of the tool applies adequate pressure. Forcing and excessive pressure could cause dangerous wheel breakage.

**⚠ WARNING:** ALWAYS replace wheel if tool is dropped while grinding.

**⚠ WARNING:** NEVER bang or hit grinding disc or wheel onto work.

**⚠ WARNING:** Avoid bouncing and snagging the wheel, especially when working corners, sharp edges etc. This can cause loss of control and kickback.

**⚠ WARNING:** NEVER use tool with wood cutting blades and other saw blades. Such blades when used on a grinder frequently kick and cause loss of control leading to personal injury.

**⚠ CAUTION:** Never switch on the tool when it is in contact with the workpiece, it may cause an injury to operator.

**⚠ CAUTION:** Always wear safety goggles or a face shield during operation.

**⚠ CAUTION:** After operation, always switch off the tool and wait until the wheel has come to a complete stop before putting the tool down.

**⚠ CAUTION:** ALWAYS hold the tool firmly with one hand on housing and the other on the side grip (handle).

## Grinding and sanding operation

### ► Fig.25

Turn the tool on and then apply the wheel or disc to the workpiece.

In general, keep the edge of the wheel or disc at an angle of about 15° to the workpiece surface.

During the break-in period with a new wheel, do not work the grinder in forward direction or it may cut into the workpiece. Once the edge of the wheel has been rounded off by use, the wheel may be worked in both forward and backward direction.

## Operation with abrasive cut-off / diamond wheel

### Optional accessory

**⚠ WARNING:** Do not "jam" the wheel or apply excessive pressure. Do not attempt to make an excessive depth of cut. Overstressing the wheel increases the loading and susceptibility to twisting or binding of the wheel in the cut and the possibility of kickback, wheel breakage and overheating of the motor may occur.

**⚠ WARNING:** Do not start the cutting operation in the workpiece. Let the wheel reach full speed and carefully enter into the cut moving the tool forward over the workpiece surface. The wheel may bind, walk up or kickback if the power tool is started in the workpiece.

**⚠ WARNING:** During cutting operations, never change the angle of the wheel. Placing side pressure on the cut-off wheel (as in grinding) will cause the wheel to crack and break, causing serious personal injury.

**⚠ WARNING:** A diamond wheel shall be operated perpendicular to the material being cut.

Usage example: operation with abrasive cut-off wheel

► Fig.26

Usage example: operation with diamond wheel

► Fig.27

## Operation with wire cup brush

### Optional accessory

**⚠ CAUTION:** Check operation of brush by running tool with no load, insuring that no one is in front of or in line with brush.

**NOTICE:** Avoid applying too much pressure which causes over bending of wires when using the wire cup brush. It may lead to premature breakage.

Usage example: operation with wire cup brush

► Fig.28

## Operation with wire wheel brush

### Optional accessory

**⚠ CAUTION:** Check operation of wire wheel brush by running tool with no load, insuring that no one is in front of or in line with the wire wheel brush.

**NOTICE:** Avoid applying too much pressure which causes over bending of wires when using wire wheel brush. It may lead to premature breakage.

Usage example: operation with wire wheel brush

► Fig.29

## MAINTENANCE

**⚠ CAUTION:** Always be sure that the tool is switched off and the battery cartridge is removed before attempting to perform inspection or maintenance.

**NOTICE:** Never use gasoline, benzine, thinner, alcohol or the like. Discoloration, deformation or cracks may result.

To maintain product SAFETY and RELIABILITY, repairs, any other maintenance or adjustment should be performed by Makita Authorized Service Centers, always using Makita replacement parts.

## Air vent cleaning

The tool and its air vents have to be kept clean. Regularly clean the tool's air vents or whenever the vents start to become obstructed.

► Fig.30: 1. Exhaust vent 2. Inhalation vent

Remove the dust cover from inhalation vent and clean it for smooth air circulation.

► Fig.31: 1. Dust cover

**NOTICE:** Clean out the dust cover when it is clogged with dust or foreign matters. Continuing operation with a clogged dust cover may damage the tool.



# OPTIONAL ACCESSORIES

**⚠ CAUTION:** These accessories or attachments are recommended for use with your Makita tool specified in this manual. The use of any other accessories or attachments might present a risk of injury to persons. Only use accessory or attachment for its stated purpose.

If you need any assistance for more details regarding these accessories, ask your local Makita Service Center.

- Makita genuine battery and charger

► Fig.32

-	100 mm (4") model	115 mm (4-1/2") model	125 mm (5") model
1	Crip 36		
2	Wheel Guard (for grinding wheel)		
3	Inner flange		
4	Depressed center wheel / Flap disc		
5	Lock nut		
6	Back up pad		
7	Flex wheel		
8	Inner flange and rubber pad 76	Rubber pad 100	Rubber pad 115
9	Abrasive disc		
10	Sanding lock nut		
11	Wire wheel brush		
12	Wire cup brush		
13	Wheel Guard (for cut-off wheel) *1		
14	Abrasive cut-off wheel / Diamond wheel		
-	Lock nut wrench		

**NOTE:** \*1 In some European countries, when using a diamond wheel, the ordinary guard can be used instead of the special guard covering the both side of the wheel. Follow the regulations in your country.

**NOTE:** Some items in the list may be included in the tool package as standard accessories. They may differ from country to country.

## SPECIFIKATIONER

Modell:	GA011G	GA012G	GA013G	GA014G	GA015G	GA016G
Kapskivans diameter	100 mm (4")	115 mm (4-1/2")	125 mm (5")	100 mm (4")	115 mm (4-1/2")	125 mm (5")
Max. skivtjocklek	6,4 mm	7,2 mm		6,4 mm	7,2 mm	
Spindelgänga	M10	M14 eller 5/8" (landsspecifikt)		M10	M14 eller 5/8" (landsspecifikt)	
Nominellt varvtal (n)	8 500 min <sup>-1</sup>					
Total längd	med BL4025		398 mm			
	med BL4040		410 mm			
Nettovikt	2,8 - 3,4 kg	3,0 - 3,6 kg		2,8 - 3,3 kg	2,9 - 3,5 kg	2,9 - 3,6 kg
Märkspänning	36 V - 40 V likström max					

- På grund av vårt pågående program för forskning och utveckling kan dessa specifikationer ändras utan föregående meddelande.
- Specifikationer kan variera mellan olika länder.
- Vikten kan variera beroende på tillbehören, inklusive batterikassett. Den lättaste och den tyngsta kombinationen enligt EPTA-procedur 01/2014 visas i tabellen.

### Tillgänglig batterikassett och laddare

Batterikassett	BL4025/BL4040
Laddare	DC40RA

- Vissa av batterikassetterna och laddarna på listan ovan kanske inte finns tillgängliga i din region.

**⚠ VARNING:** Använd endast batterikassetter och laddare från listan ovan. Användning av andra batterikassetter och laddare kan orsaka personskada och/eller brand.

### Avsedd användning

Maskinen är avsedd för slipning och kapning i trä och stenmaterial utan användning av vatten.

### Buller

Den normala bullernivån för A-belastning är bestämd enligt EN60745-2-3:

Modell	Ljudtrycksnivå (L <sub>PA</sub> ): (dB(A))	Ljudeffektnivå (L <sub>WA</sub> ): (dB(A))	Måttolerans (K): (dB(A))
GA011G	81	92	3
GA012G	81	92	3
GA013G	82	93	3
GA014G	81	92	3
GA015G	81	92	3
GA016G	82	93	3

**OBS:** Det deklarerade bullervärdet har uppmätts i enlighet med standardtestmetoden och kan användas för jämförandet av en maskin med en annan.

**OBS:** Det deklarerade bulleremissionsvärdet kan också användas i en preliminär bedömning av exponering för vibration.

**⚠ VARNING:** Använd hörselskydd.

**⚠ VARNING:** Bulleremissionen under faktisk användning av maskinen kan skilja sig från det deklarerade värdet, beroende på hur maskinen används och särskilt vilken typ av arbetsstycke som behandlas.

**⚠ VARNING:** Var noga med att identifiera säkerhetsåtgärder för att skydda användaren, vilka är grundade på en uppskattning av graden av exponering för vibrationer under de faktiska användningsförhållandena, (ta, förutom avtryckartiden, med alla delar av användarcykeln i beräkningen, som till exempel tiden då maskinen är avstängd och när den går på tomgång).

# Vibration

Det totala vibrationsvärdet (treaxlad vektorsumma) bestämt enligt EN60745-2-3:

## Arbetsläge: planslipning med normalt sidohandtag

Modell	Vibrationsemission ( $a_{hv, AG}$ ): (m/s <sup>2</sup> )	Måttolerans (K): (m/s <sup>2</sup> )
GA011G	4,5	1,5
GA012G	5,0	1,5
GA013G	6,0	1,5
GA014G	4,5	1,5
GA015G	5,0	1,5
GA016G	6,0	1,5

## Arbetsläge: planslipning med anti-vibrationssidohandtag

Modell	Vibrationsemission ( $a_{hv, AG}$ ): (m/s <sup>2</sup> )	Måttolerans (K): (m/s <sup>2</sup> )
GA011G	4,5	1,5
GA012G	5,0	1,5
GA013G	6,5	1,5
GA014G	4,5	1,5
GA015G	5,0	1,5
GA016G	6,5	1,5

## Arbetsläge: skivslipning med normalt sidohandtag

Modell	Vibrationsemission ( $a_{hv, AG}$ ): (m/s <sup>2</sup> )	Måttolerans (K): (m/s <sup>2</sup> )
GA011G	2,5 m/s <sup>2</sup> eller lägre	1,5
GA012G	2,5	1,5
GA013G	3,0	1,5
GA014G	2,5 m/s <sup>2</sup> eller lägre	1,5
GA015G	2,5	1,5
GA016G	3,0	1,5

## Arbetsläge: skivslipning med anti-vibrationssidohandtag

Modell	Vibrationsemission ( $a_{hv, AG}$ ): (m/s <sup>2</sup> )	Måttolerans (K): (m/s <sup>2</sup> )
GA011G	2,5 m/s <sup>2</sup> eller lägre	1,5
GA012G	2,5	1,5
GA013G	3,0	1,5
GA014G	2,5 m/s <sup>2</sup> eller lägre	1,5
GA015G	2,5	1,5
GA016G	3,0	1,5

**OBS:** Det deklarerade totala vibrationsvärdet har uppmätts i enlighet med standardtestmetoden och kan användas för jämförandet av en maskin med en annan.

**OBS:** Det deklarerade totala vibrationsvärdet kan också användas i en preliminär bedömning av exponering för vibration.

**⚠️ VARNING:** Vibrationsemissionen under faktisk användning av maskinen kan skilja sig från det deklarerade värdet, beroende på hur maskinen används och särskilt vilken typ av arbetsstycke som behandlas.

**⚠️ VARNING:** Var noga med att identifiera säkerhetsåtgärder för att skydda användaren, vilka är grundade på en uppskattning av graden av exponering för vibrationer under de faktiska användningsförhållandena, (ta, förutom avtryckartiden, med alla delar av användarcykeln i beräkningen, som till exempel tiden då maskinen är avstängd och när den går på tomgång).

**⚠️ VARNING:** Det deklarerade vibrationsvärdet används för maskinens huvudsakliga arbetsuppgifter. Om maskinen används för andra arbetsuppgifter kan däremot vibrationsvärdet bli annorlunda.

## EG-försäkran om överensstämmelse

### Gäller endast inom EU

EG-försäkran om överensstämmelse inkluderas som bilaga A till denna bruksanvisning.

## SÄKERHETSVARNINGAR

### Allmänna säkerhetsvarningar för maskiner

**⚠ VARNING:** Läs alla säkerhetsvarningar, anvisningar, illustrationer och specifikationer som medföljer det här maskinen. Underlåtenhet att följa instruktionerna kan leda till elstötar, brand och/eller allvarliga personskador.

### Spara alla varningar och instruktioner för framtida referens.

Termen "maskin" som anges i varningarna hänvisar till din eldrivna maskin (sladdansluten) eller batteridrivna maskin (sladdlös).

### Säkerhetsvarningar för batteridrivna slipmaskin

Säkerhetsvarningar för slipning, stålborstning eller abrasiv skärning:

1. **Den här maskinen är utformad för att användas för slipning, stålborstning eller som skärverktyg. Läs alla säkerhetsvarningar, anvisningar, illustrationer och specifikationer som medföljer den här maskinen.** Underlåtenhet att följa instruktionerna kan leda till elstötar, brand och/eller allvarliga personskador.
2. **Den här maskinen rekommenderas inte för poleringsarbeten.** Om maskinen används till andra arbeten än de avsedda, kan det orsaka fara och personskada.
3. **Använd inte tillbehör som inte är särskilt tillverkade och rekommenderade av maskinens tillverkare.** Även om ett tillbehör kan fästas på maskinen garanterar detta inte säker funktion.
4. **Tillbehörets nominella varvtalet måste vara minst lika med det maximala varvtalet som anges på verktyget.** Tillbehör som används över det nominella varvtalet kan gå sönder och orsaka skador.
5. **Tillbehörets ytterdiameter och tjocklek måste vara anpassad till elverktygets kapacitetsklassning.** Tillbehör i olämplig storlek kan inte skyddas eller styras tillräckligt väl.
6. **Gångorna på tillbehör som monteras måste stämma överens med spindelgångorna på slipmaskinen.** För tillbehör som monteras med flänsar måste tillbehörets centrumhåll passa i flänsens lokaliseringsdiameter. Tillbehör som inte passar exakt på maskinens monteringsbeslag roterar ojämnt, vibrerar kraftigt och kan leda till att du förlorar kontrollen.

7. **Använd inte ett skadat tillbehör.** Kontrollera tillbehör som sliprondeller efter hack och sprickor, underlagsplattor efter sprickor, slitage och stålborstar efter lösa eller brutna trådar. Om du tappar maskinen eller ett tillbehör ska du kontrollera att det inte har uppstått några skador, eller så ska tillbehöret bytas ut mot ett oskadat. Efter kontroll och montering av tillbehöret ska du och åskådare hålla er borta från det roterande tillbehöret samtidigt som du kör maskinen på full fart utan last i en minut. Skadade tillbehör går normalt sönder under den här testtiden.
8. **Använd personlig skyddsutrustning.** Använd visir, korgglasögon eller skyddsglasögon beroende på arbetsuppgift. Använd vid behov dammskydd, hörselskydd, handskar och skyddsförkläde som stoppar små bitar slipmaterial eller fragment från arbetstycket. Ögonskyddet måste kunna stoppa flygande fragment som uppstår vid olika arbeten. Dammskyddet eller andningsskyddet måste kunna filtrera partiklar som uppstår vid olika arbeten. Lång tid i kraftigt buller kan orsaka hörselskador.
9. **Håll personer i omgivningen på säkert avstånd från arbetsområdet. Alla som befinner sig i arbetsområdet måste använda skyddsutrustning.** Delar av arbetstycket eller defekta tillbehör kan flyga iväg och orsaka skador utanför arbetsområdet.
10. **Håll maskinen endast i de isolerade handtagen om det finns risk för att skärverktyget kan komma i kontakt med en dold elkabel.** Om skärverktyget kommer i kontakt med en strömförande ledning blir maskinens metalldelar strömförande och kan ge användaren en elektrisk stöt.
11. **Lägg aldrig elverktyget åt sidan förrän det har stannat helt.** Det roterande tillbehöret kan gripa tag i underlaget och du kan förlora kontrollen över maskinen.
12. **Kör inte verktyget samtidigt som du bär det.** Oavsiktlig kontakt med det roterande tillbehöret kan leda till att det fastnar i dina kläder och dras in mot kroppen.
13. **Rengör regelbundet verktygets ventilationsöppningar.** Motorns fläkt suger in damm i höljet och överdriven ansamling av pulveriserad metall kan orsaka elektrisk fara.
14. **Använd inte verktyget i närheten av lättantändliga material.** Gnistor kan antända dessa material.
15. **Använd inte tillbehör som kräver flytande kylvätskor.** Att använda vatten eller andra flytande kylvätskor kan orsaka dödsfall eller elektriska stötar.

### Bakåtkast och relaterade varningar

Bakåtkast är en plötslig reaktion på fastnyp roterande hjul, underlagsplatta, borste eller annat tillbehör. Nyp och kärvning orsakar stegring av det roterande tillbehöret, och orsakar i sin tur att den okontrollerade maskinen tvingas i motsatt riktning vid kärvningspunkten. Om till exempel en slipskiva fastnar i eller kläms fast av arbetstycket kan skivans kapande kant gräva sig in i materialytan vid klämpunkten, vilket leder till att skivan klättrar eller kastas tillbaka. Skivan kan antingen hoppa mot eller från användaren, beroende på skivans rörelseriktning vid klämpunkten. Slipskivorna kan även gå sönder under dessa omständigheter. Bakåtkast beror på ovarsamhet och/eller felaktiga arbetsrutiner, och kan undvikas genom att vidta nedanstående förebyggande åtgärder.

1. **Se till att hålla verktyget i ett fast grepp och placera kroppen och din arm på ett sätt som gör att du kan stå emot kraften från bakåtkast. Använd alltid ett extrahandtag, om sådant finns, för maximal kontroll vid bakåtkast eller vridrörelsen vid start.** Användaren kan kontrollera vridrörelsen eller krafterna vid bakåtkast om rätt försiktighetsåtgärder vidtas.
2. **Placera aldrig din hand nära det roterande tillbehöret.** Tillbehöret kan kastas bakåt över din hand.
3. **Ställ dig inte där maskinen kommer att förflytta sig i händelse av bakåtkast.** Bakåtkast driver verktyget i motsatt riktning till kapskivans rörelse vid kärvningspunkten.
4. **Var extra försiktig när du bearbetar hörn, vassa kanter osv. Undvik att studsas och stöta tillbehöret.** Hörn, skarpa kanter eller studsning har en tendens att klämma det roterande tillbehöret och orsaka förlorad kontroll eller bakåtkast.
5. **Montera inte en sågkedja, snidarblad eller ett tandat sågblad.** Sådana blad orsakar ofta bakåtkast och förlorad kontroll.

#### Säkerhetsvarningar för slipning och abrasiv skärning:

1. **Använd endast de skivor som rekommenderas för din maskin och det särskilda sprängskyddet för skivan.** Skivor som inte tillverkats för maskinen kan inte skyddas tillräckligt och är inte tillförlitliga.
2. **Slipynt på nedsänkta skivor måste monteras under planet från sprängskyddets kant.** En felaktigt monterad skiva som sticker utanför planet från sprängskyddets kant är inte tillräckligt skyddad.
3. **Sprängskyddet måste vara ordentligt fäst vid maskinen och placeras för maximal säkerhet, så att minsta möjliga yta av skivan är öppen mot användare.** Sprängskyddet skyddar användaren mot trasiga skivdelar, oavsiktlig kontakt med skivan och gnistor som kan antända kläder.
4. **Kapskivorna får endast användas till rekommenderade arbetsuppgifter. Till exempel: Slipa inte med en kapskivas utsida.** Slipande kapskivor är avsedda för periferislipning. Sidokrafter kan spränga sådana skivor.
5. **Använd alltid oskadade skivflansar i rätt storlek och form till din skiva.** Rätt skivflansar stöder kapskivan och minskar därigenom risken för att skivan går sönder. Flansar till kapskivor kan skilja sig från flansar till slipskivor.
6. **Använd inte nedslitna skivor för större maskiner.** Skivor avsedda för större maskiner är inte lämpliga för mindre maskiners högre varvtal och kan spricka.

#### Ytterligare särskilda säkerhetsvarningar för abrasiv skärning:

1. **"Pressa" inte skivan eller utsätt den för överdrivet tryck.** Försök inte att göra ett alltför stort kapdjup. Om kapskivan överbelastas ökar belastningen och risken för att skivan vrids eller fastnar i kapet samt risken för bakåtkast eller att skivan går sönder.
2. **Placera inte din kropp längs med eller bakom den roterande skivan.** När skivan rör sig ifrån dig, kan ett bakåtkast skicka den roterande skivan och maskinen mot dig.

3. **Om kapskivan kärvar eller om ett kap avbryts stänger du av elverktyget och håller det stilla tills skivan har stannat helt. Försök aldrig att ta ut kapskivan ur skåret när skivan är i rörelse, för att undvika bakåtkast.** Undersök och vidta korrigeringsåtgärder för att eliminera orsaken till att kapskivan fastnar.
4. **Starta inte om kapningen med verktyget kvar i arbetsstycket. Låt maskinen nå full hastighet och gå tillbaka i skåret.** Kapskivan kan fastna, vandra uppåt eller kastas bakåt om elverktyget startas om i arbetsstycket.
5. **Stötta långa eller stora arbetsstycken för att minimera risken för att kapskivan fastnar och kastas bakåt.** Stora arbetsstycken tenderar att svikta på grund av sin egen vikt. Stöd måste placeras under arbetsstycket nära såglinjen och nära arbetsstyckets kanter på båda sidorna om kapskivan.
6. **Var extra försiktig vid genomstickning i en befintlig vägg eller andra dolda utrymmen.** Den utskjutande kapskivan kan kapa gas- eller vattenledningar, elledningar eller föremål som kan orsaka bakåtkast.

#### Säkerhetsvarningar särskilt vid slipning:

1. **Använd inte för stora slipskivor. Följ tillverkarens rekommendationer när du väljer slipskiva.** Större slippapper som sticker ut utanför underlaget ger risk för rivning och kan orsaka kärvning, rivning av skivan eller bakåtkast.

#### Säkerhetsvarningar särskilt vid stålborstning:

1. **Var uppmärksam på att trådbitar kastas ut från borsten även vid normal användning. Överbelasta inte trådarna genom att anlägga onödigt stor kraft mot borsten.** Trådarna kan enkelt gå igenom tunnare klädsel och/eller huden.
2. **Om användning av skydd rekommenderas vid stålborstning får inte borstskivan eller borsten gå emot skyddet.** Borstens diameter kan expandera på grund av belastningen eller centrifugalkraften.

#### Ytterligare säkerhetsvarningar:

1. **Vid användning av nedsänkta center-rondeller ska endast glasfiberförstärkta rondeller användas.**
2. **ANVÄND ALDRIG sten-skålskivor med denna slipmaskin.** Denna slipmaskin är inte konstruerad för denna typ av skivor och användningen av dessa kan resultera i allvarlig personskada.
3. **Var försiktig så att inte spindeln, flänsen (i synnerhet monteringsytan) eller låsmuttern skadas.** Skador på någon av dessa delar kan medföra att rondellen förstörs.
4. **Se till att rondellen inte är i kontakt med arbetsstycket när du trycker på avtryckaren.**
5. **Låt verktyget vara igång en stund innan det används på arbetsstycket.** Kontrollera att skivan inte vibrerar eller skakar, vilket kan innebära att den är felaktigt monterad eller dåligt balanserad.
6. **Slipa endast med den del av rondellen som är avsedd för slipning.**
7. **Lämna inte maskinen igång.** Använd endast maskinen när du håller den i händerna.
8. **Rör inte vid arbetsstycket omedelbart efter arbetet.** Det kan vara extremt varmt och orsaka brännskador.

9. Följ tillverkarens anvisningar för korrekt montering och användning av rondeller. Hantera rondellerna varsamt och förvara dem på en säker plats.
10. Använd inte separata reducerhylsor eller adapterar för att kunna använda sliprondeller med större hål.
11. Använd endast flänsar som är avsedda för den här maskinen.
12. Kontrollera att gänglängden i rondellen är tillräckligt lång för spindelängden om rondellen är avsedd att gängas fast.
13. Kontrollera att arbetsstycket är ordentligt fastsatt.
14. Tänk på att rondellen fortsätter att rotera efter att maskinen stängts av.
15. Om arbetsplatsen är extremt varm och fuktig, eller har hög koncentration av elektriskt ledande damm, ska jordfelsbrytare (30 mA) användas för användarens säkerhet.
16. Använd inte maskinen för material som innehåller asbest.
17. Använd alltid föreskrivet dammuppsamlare sprängskydd när du arbetar med kapskiva.
18. Kapskivor får inte utsättas för sidokrafter.
19. Använd inte arbetshandskar i tyg när du arbetar med maskinen. Fibrer från tyghandskar kan komma in i maskinen och orsaka fel.
6. Förvara inte maskinen och batterikassetten på platser där temperaturen kan nå eller överstiga 50 °C.
7. Bränn inte upp batterikassetten även om den är svårt skadad eller helt utsliten. Batterikassetten kan explodera i öppen eld.
8. Spika inte i, krossa, kasta, tappa eller slå batterikassetten mot hårda föremål. Dylåka handlingar kan leda till brand, överdriven värme eller explosion.
9. Använd inte ett skadat batteri.
10. De medföljande litiumjonbatterierna är föremål för kraven i gällande lagstiftning för farligt gods.  
För kommersiella transporter (av t.ex. tredje parter som speditorsfirmor) måste de särskilda transportkrav som anges på emballaget och etiketter iakttagas.  
För att förbereda den produkt som ska avsändas krävs att du konsulterar en expert på riskmaterial. Var också uppmärksam på att det i ditt land kan finnas ytterligare föreskrifter att följa.  
Tejpa över eller maskera blottade kontakter och packa batteriet på sådant sätt att det inte kan röra sig fritt i förpackningen.

## SPARA DESSA ANVISNINGAR.

**⚠ VARNING:** GLÖM INTE att också fortsättningsvis strikt följa säkerhetsanvisningarna för maskinen även efter att du blivit van att använda den. Vid FELAKTIG HANTERING av maskinen eller om inte säkerhetsanvisningarna i denna bruksanvisning följs kan följden bli allvariga personskador.

### Viktiga säkerhetsanvisningar för batterikassetten

1. Innan batterikassetten används ska alla instruktioner och varningsmärken på (1) batteriladdaren, (2) batteriet och (3) produkten läsas.
2. Montera inte isär eller mixtra med batterikassetten. Det kan leda till brand, överdriven värme eller explosion.
3. Om drifttiden blivit avsevärt kortare ska användningen avbrytas omedelbart. Det kan uppstå överhettning, brännskador och t o m en explosion.
4. Om du får elektrolyt i ögonen ska de sköljas med rent vatten och läkare uppsökas omedelbart. Det finns risk för att synen förloras.
5. Kortslut inte batterikassetten.
  - (1) Rör inte vid polerna med något strömförande material.
  - (2) Undvik att förvara batterikassetten tillsammans med andra metallobjekt som t.ex. spikar, mynt o.s.v.
  - (3) Skydda batteriet mot vatten och regn.
11. När batterikassetten ska kasseras måste den tas bort från maskinen och kasseras på ett säkert sätt. Följ lokala föreskrifter beträffande avfallshantering av batterier.
12. Använd endast batterierna med de produkter som specificerats av Makita. Att använda batterierna med ej godkända produkter kan leda till brand, överdriven värme, explosion eller utläckande elektrolyt.
13. Om maskinen inte används under en lång tid måste batteriet tas bort från maskinen.
14. Under och efter användning kan batterikassetten bli het vilket kan orsaka brännskador eller lättare brännskador. Var uppmärksam på hur du hanterar varma batterikassetter.
15. Vidrör inte verktygets kontakter direkt efter användning eftersom de kan bli heta och orsaka brännskador.
16. Låt inte flisor, damm eller smuts fastna i kontaktarna, i hål eller spår i batterikassetten. Det kan leda till dålig prestanda eller till att verktyget eller batterikassetten går sönder.
17. Såvida inte verktyget stöder arbeten i närheten av högspänningsledning får batterikassetten inte användas i närheten av en högspänningsledning. Det kan leda till att verktyget eller batterikassetten går sönder eller inte fungerar korrekt.

## SPARA DESSA ANVISNINGAR.

**⚠ FÖRSIKTIGT:** Använda endast äkta Makita-batterier. Användning av oäkta Makita-batterier eller batterier som har manipulerats kan leda till person- och utrustningsskador eller till att batteriet fattar eld. Det upphäver också Makitas garanti för verktyget och laddaren.

## Tips för att uppnå batteriets maximala livslängd

1. Ladda batterikassetten innan den är helt urladdad. Stanna alltid maskinen och ladda batterikassetten när du märker att maskinen blir svagare.
2. Ladda aldrig en fulladdad batterikassett. Överladdning förkortar batteriets livslängd.
3. Ladda batterikassetten vid en rumstemperatur på 10 °C - 40 °C. Låt en varm batterikassett svalna innan den laddas.
4. När batterikassetten inte används ska den tas bort från verktyget eller laddaren.
5. Ladda batterikassetten om du inte har använt den på länge (mer än sex månader).

## FUNKTIONSBESKRIVNING

**⚠ FÖRSIKTIGT:** Se alltid till att maskinen är avstängd och batterikassetten borttagen innan du justerar maskinen eller kontrollerar dess funktioner.

### Montera eller demontera batterikassetten

**⚠ FÖRSIKTIGT:** Stäng alltid av maskinen innan du monterar eller tar bort batterikassetten.

**⚠ FÖRSIKTIGT:** Håll stadigt i maskinen och batterikassetten när du monterar eller tar bort batterikassetten. I annat fall kan det leda till att de glider ur dina händer och orsakar skada på maskinen och batterikassetten samt personskada.

► Fig.1: 1. Röd indikator 2. Knapp 3. Batterikassett

Ta bort batterikassetten genom att skjuta ner knappen på kassetterns framsida samtidigt som du drar ut batterikassetten.

Sätt in batterikassetten genom att rikta in tungan på batterikassetten mot spåret i höljet och skjut den på plats. Tryck in batterikassetten ordentligt tills den låser fast med ett klick. Om du kan se den röda indikatorn på knappens ovansida är den inte låst ordentligt.

**⚠ FÖRSIKTIGT:** Sätt alltid in batterikassetten helt tills den röda indikatorn inte längre syns. I annat fall kan den oväntat falla ur maskinen och skada dig eller någon annan.

**⚠ FÖRSIKTIGT:** Monterar inte batterikassetten med våld. Om kassetten inte lätt glider på plats är den felinsatt.

## Indikerar kvarvarande batterikapacitet

Tryck på kontrollknappen på batterikassetten för att se kvarvarande batterikapacitet. Indikatorlamporna lyser i ett par sekunder.

► Fig.2: 1. Indikatorlampor 2. Kontrollknapp

Indikatorlampor			Kvarvarande kapacitet
Upplyst	Av	Blinkar	
■	□	◐	75% till 100%
■	■	■	
■	■	□	50% till 75%
■	■	□	25% till 50%
■	□	□	0% till 25%
◐	□	□	Ladda batteriet.
■	■	□	Batteriet kan ha skadats.
□	□	■	

**OBS:** Beroende på användningsförhållanden och den omgivande temperaturen kan indikationen skilja sig lätt från den faktiska batterikapaciteten.

## Skyddssystem för maskinen/batteriet

Verktyget är utrustat med ett skyddssystem för verktyget/batteriet. Detta system bryter automatiskt strömmen till motorn för att förlänga verktygets och batteriets livslängd. Verktyget stoppar automatiskt under användningen om verktyget eller batteriet hamnar i en av följande situationer:

### Överbelastningsskydd

Om verktyget/batteriet används på ett sätt som gör att det drar onormalt mycket ström kan det stoppas automatiskt utan varning. När detta sker stänger du av verktyget och upphör med arbetet som gjorde att verktyget överbelastades. Starta därefter upp verktyget igen.

### Överhettningsskydd

När verktyget/batteriet överhettas stoppas verktyget automatiskt. Låt verktyget svalna innan du startar den igen.

### Överurladdningsskydd

När batteriets kapacitet är otillräcklig stoppar maskinen automatiskt. I sådant fall ska batteriet tas ur maskinen och laddas.

### Frigöra skyddsåset

När skyddssystemet arbetar flera gånger låses verktyget. I denna situation startar inte maskinen även om den slås av och sedan på igen. För att frigöra skyddsåset tar du ur batteriet, sätter det i batteriladdaren och väntar tills laddningen är klar.

## Spindellås

Tryck ned spindellåset för att förhindra att spindeln roterar när du monterar eller tar bort tillbehör.

► **Fig.3:** 1. Spindellås

**OBSERVERA:** Aktivera aldrig spindellåset medan spindeln rör sig. I annat fall kan maskinen skadas.

## Avtryckarens funktion

**FÖRSIKTIGT:** Kontrollera alltid att avtryckaren löser ut ordentligt och återgår till läget "OFF" när den släpps innan batterikassetten installeras i verktyget.

**FÖRSIKTIGT:** Detta verktyg är utrustat med en säkerhetsspärr som förhindrar oavsiktlig start. Använd ALDRIG verktyget om det startar när du trycker på avtryckaren utan att ha tryckt in säkerhetsspärren. Returnera verktyget till ett auktoriserat servicecenter för reparation INNAN du fortsätter att använda det.

**FÖRSIKTIGT:** Tryck aldrig in avtryckaren hårt utan att ha tryckt in säkerhetsspärren. I annat fall kan avtryckaren skadas.

**FÖRSIKTIGT:** Sätt ALDRIG säkerhetsspärren ur funktion genom att t.ex. tejsa över den.

► **Fig.4:** 1. Säkerhetsspärr 2. Avtryckare

För att förhindra att avtryckaren trycks in av misstag finns det en säkerhetsspärr.

Starta verktyget genom att dra säkerhetsspärren mot dig, och tryck sedan in avtryckaren.

För att stoppa maskinen släpper du avtryckaren.

## Funktion för att förhindra oavsiktlig omstart

Verktyget startar inte när batterikassetten installeras samtidigt som avtryckaren trycks in.

Starta verktyget genom att först frigöra avtryckaren. Dra sedan ut säkerhetsspärren och tryck in avtryckaren.

## Funktion för elektronisk vridmomentskontroll

Maskinen identifierar situationer på elektronisk väg där hjul eller tillbehör riskerar att fastna. I en sådan situation stängs maskinen automatiskt av för att förhindra att spindeln roterar ytterligare (emellertid förhindras inte bakåtkast).

För att starta om maskinen stänger du först av den, avlägsnar orsaken till den plötsliga minskningen av rotationshastigheten, och slår sedan på maskinen igen.

## Mjukstartfunktion

Mjukstartfunktionen dämpar startchocken.

## Elektronisk broms

**Endast för modell GA011G / GA012G / GA013G**

Den elektroniska bromsen aktiveras när maskinen stängs av. Bromsen fungerar inte när strömtillförseln stängs av (t.ex. om batteriet tas ur) med avtryckaren aktiverad.

## MONTERING

**FÖRSIKTIGT:** Se alltid till att maskinen är avstängd och batterikassetten borttagen innan du justerar maskinen eller kontrollerar dess funktioner.

## Montera sidohandtaget

**FÖRSIKTIGT:** Kontrollera alltid att sidohandtaget sitter fast ordentligt innan arbetet påbörjas.

Skruva fast sidohandtaget ordentligt på rätt plats på maskinen enligt figuren.

► **Fig.5**

## Montera eller demontera sprängskyddet

**VARNING:** När en sliprondell med försänkt nav, lamellslipskiva, flexibel rondell eller skivstålborste används måste sprängskyddet monteras på maskinen så att den slutna sidan alltid är vänd mot användaren.

**VARNING:** Se till att sprängskyddet är ordentligt låst med låsspaken med ett av hälen i sprängskyddet.

**VARNING:** Vid användning av en kap-/diamantskiva ska du vara noga med att endast använda det speciella sprängskydd som är avsett för användning tillsammans med kapskivor.

(I vissa europeiska länder kan det vanliga sprängskyddet användas tillsammans med diamantskivan. Följ föreskrifterna i ditt land.)

## För rondell med försänkt navrondell, lamellskiva, flexibel rondell, skivstålborste/kapskiva, diamantskiva

1. När du trycker på låsspaken monterar du sprängskyddet så att de utskjutande delarna på sprängskyddets band passar in i uttagen på lagerhuset.

► **Fig.6:** 1. Låsspak 2. Skåra 3. Utsprång

2. När du trycker låsspaken mot A, skjuter du in sprängskyddet genom att hålla ner delarna B enligt vad som visas på bilden.

► **Fig.7:** 1. Sprängskydd 2. Hål

**OBS:** Tryck sprängskyddet rakt ner. I annat fall kan du inte trycka ner sprängskyddet helt.

3. Medan du håller låsspakens och sprängskyddets position enligt beskrivningen i steg 2, roterar du sprängskyddet mot C och ändrar sedan vinkeln på sprängskyddet efter vad som behövs för arbetet.

► **Fig.8:** 1. Sprängskydd 2. Hål

**OBS:** Tryck sprängskyddet helt. I annat fall kan du inte rotera sprängskyddet.

Gör på omvänt sätt för att ta bort sprängskyddet.



## Montera eller ta bort sliprondell med försänkt nav eller lamellslipskiva

### Valfria tillbehör

**⚠ VARNING:** När en sliprondell med försänkt nav eller lamellslipskiva används, måste sprängskyddet monteras på maskinen så att den slutna sidan alltid är vänd mot användaren.

**⚠ FÖRSIKTIGT:** Se till att den monterade delen av den inre flänsen passar perfekt in i den inre diametern av den försänkta navrondellen/lamellskivan. Montering av den inre flänsen på fel sida kan leda till farliga vibrationer.

Montera den inre flänsen på spindeln. Se till att den buktade delen av den inre flänsen monteras på den raka delen längst ned på spindeln. Passa in den försänkta navrondellen/lamellskivan på den inre flänsen och skruva på låsmuttern på spindeln.

► **Fig.9:** 1. Låsmutter 2. Försänkt navrondell 3. Inre fläns 4. Monteringsdel

Tryck in spindellåset ordentligt för att dra fast låsmuttern så att spindeln inte kan rotera. Använd sedan tappnyckeln för att dra åt ytterligare.

► **Fig.10:** 1. Tappnyckel för låsmutter 2. Spindellås

Gör på omvänt sätt för att ta bort rondellen.

## Montera eller ta bort flexibel rondell

### Valfria tillbehör

**⚠ VARNING:** Använd alltid det medföljande skyddet när en flexibel rondell är monterad på maskinen. Skivan kan splittras under användningen och skyddet minskar risken för personskador.

► **Fig.11:** 1. Låsmutter 2. Flexibel rondell 3. Stödplatta 4. Inre fläns

Följ anvisningarna för försänkt navrondell, men använd även en stödplatta över skivan. Se monteringssekvensen på tillbehörssidan i denna bruksanvisning.

## Montera eller ta bort sliprondell

### Valfria tillbehör

**OBS:** Använd endast slipningstillbehör som specificeras i denna bruksanvisning. Dessa måste köpas separat.

## För modell med 100 mm

► **Fig.12:** 1. Låsmutter för slipning 2. Sliprondell 3. Gummidyna 4. Inre fläns

1. Montera den inre flänsen på spindeln.
2. Fäst gummidynan på spindeln.
3. Passa in rondellen över gummidynan och skruva fast låsmuttern för slipning på spindeln.
4. Håll i spindeln med spindellåset och dra åt låsmuttern för slipning ordentligt med tappnyckeln.

Följ monteringsanvisningarna i omvänd ordning för att ta bort rondellen.

## För modell med 115 mm/125 mm

► **Fig.13:** 1. Låsmutter för slipning 2. Sliprondell 3. Gummidyna

1. Fäst gummidynan på spindeln.
2. Passa in rondellen över gummidynan och skruva fast låsmuttern för slipning på spindeln.
3. Håll i spindeln med spindellåset och dra åt låsmuttern för slipning ordentligt med tappnyckeln.

Följ monteringsanvisningarna i omvänd ordning för att ta bort rondellen.

## Montering eller demontering av Ezynut

### Valfria tillbehör

**⚠ FÖRSIKTIGT:** Använd inte Ezynut med superfläns eller med vinkelslipmaskin med "F" i slutet av modellnumret. Dessa flänsar är så tjocka att hela gängningen inte kan hållas av spindeln.

► **Fig.14:** 1. Ezynut 2. Slipskiva 3. Innerfläns 4. Spindel

Montera innerflänsen, slipskivan och Ezynut på spindeln så att Makitas logotyp på Ezynut är vänd utåt.

► **Fig.15:** 1. Spindellås

Tryck in spindellåset och dra åt Ezynut genom att vrida slipskivan medurs så långt som den går att vrida. Vrid Ezynut:s ytterring moturs för att lossa den.

► **Fig.16:** 1. Pål 2. Ås

► **Fig.17**

**OBS:** Ezynut kan lossas för hand så länge som pilen är riktad mot skåran. Annars behövs det en tappnyckel för att lossa den. Sätt i en av tappnyckels stift i ett av hålen och vrid Ezynut moturs.

## Installation av kap-/diamantskiva

### Valfria tillbehör

**⚠ VARNING:** Vid användning av en kap-/diamantskiva ska du vara noga med att endast använda det speciella sprängskydd som är avsett för användning tillsammans med kapskivor.

(I vissa europeiska länder kan det vanliga sprängskyddet användas tillsammans med diamantskivan. Följ föreskrifterna i ditt land.)

**⚠ VARNING:** Använd ALDRIG kapskivor för sidoslipning.

► **Fig.18:** 1. Låsmutter 2. Kap-/diamantskiva 3. Inre fläns 4. Sprängskydd för kap-/diamantskiva

Följ anvisningarna för den försänkta navrondellen för montering.

**Riktningen för att montera låsmuttern och den inre flänsen varierar beroende på skivans typ och tjocklek.**

Se följande figurer.

## För modell med 100 mm

### När du monterar kapskivan:

- **Fig.19:** 1. Läsmutter 2. Kapskiva (tunnare än 4 mm)  
3. Kapskiva (4 mm eller tjockare) 4. Inre fläns

### När du monterar diamantskivan:

- **Fig.20:** 1. Läsmutter 2. Diamantskiva (tunnare än 4 mm)  
3. Diamantskiva (4 mm eller tjockare)  
4. Inre fläns

## För modell med 115 mm/125 mm

### När du monterar kapskivan:

- **Fig.21:** 1. Läsmutter 2. Kapskiva (tunnare än 4 mm)  
3. Kapskiva (4 mm eller tjockare) 4. Inre fläns

### När du monterar diamantskivan:

- **Fig.22:** 1. Läsmutter 2. Diamantskiva (tunnare än 4 mm)  
3. Diamantskiva (4 mm eller tjockare)  
4. Inre fläns

## Installation av skålformad stålborste

### Valfria tillbehör

**⚠ FÖRSIKTIGT:** Använd inte en borste som är skadad eller obalanserad. Användning av en skadad borste kan öka risken för skador på grund av kontakt med trasiga borstrådar.

- **Fig.23:** 1. Skålformad stålborste

Ta ut batterikassetten ur verktyget och ställ det upp och ned för att underlätta att komma åt spindeln.

Ta bort eventuella tillbehör på spindeln. Trä den skålformade stålborsten på spindeln och dra åt med medföljande nyckel.

## Installation av skivstålborste

### Valfria tillbehör

**⚠ FÖRSIKTIGT:** Använd inte en skivstålborste som är skadad eller obalanserad. Användning av en skadad skivstålborste kan öka risken för skador på grund av kontakt med trasiga borstrådar.

**⚠ FÖRSIKTIGT:** Använd ALLTID skydd tillsammans med skivstålborstar och kontrollera att skivdiametern passar innanför skyddet. Skivan kan splittras under användningen och skyddet minskar risken för personskador.

- **Fig.24:** 1. Skivstålborste

Ta ut batterikassetten ur verktyget och ställ det upp och ned för att underlätta att komma åt spindeln.

Ta bort eventuella tillbehör på spindeln. Montera skivstålborsten på spindeln och dra åt med nycklarna.

## ANVÄNDNING

**⚠ VARNING:** Tänk på att aldrig tvinga maskinen. Maskinens vikt ska utgöra ett tillräckligt tryck. Tvång eller överdrivet tryck kan resultera i farliga rondellbrott.

**⚠ VARNING:** Byt ALLTID ut rondellen om den har tappats under slipning.

**⚠ VARNING:** Slå ALDRIG med rondellen eller skivan på arbetsstycket.

**⚠ VARNING:** Undvik att studsas eller hackas med rondeller, i synnerhet i närheten av hörn, skarpa kanter osv. Det är lätt att i dessa situationer förlora kontrollen över maskinen så att den kastas bakåt.

**⚠ VARNING:** Använd ALDRIG maskinen med sågklingor avsedda för trä eller andra sågblad. Att använda sådana klingor i slipmaskiner innebär stor risk för bakåtkast som kan förorsaka personskador.

**⚠ FÖRSIKTIGT:** Starta aldrig maskinen när denna är i kontakt med arbetsstycket. Det kan orsaka personskador.

**⚠ FÖRSIKTIGT:** Använd alltid skyddsglasögon eller visir under arbetet.

**⚠ FÖRSIKTIGT:** När du är klar med arbetet ska du vänta tills rondellen stannat helt innan du lägger maskinen åt sidan.

**⚠ FÖRSIKTIGT:** Håll ALLTID maskinen i ett fast grepp med ena handen på huset och den andra på sidohandtaget.

## Slipning av trä och metall

- **Fig.25**

Starta maskinen och för rondellen eller skivan mot arbetsstycket. I allmänhet är det lämpligt att hålla kanten på skivan/ rondellen i ungefär 15° vinkel mot arbetsstycket. Under inkörning av en ny skiva/rondell ska slipmaskinen inte föras in en framåtriktning eftersom den då kan köra fast i arbetsstycket. När kanten på skivan/rondellen har rundats av kan den användas i båda riktningarna (framåt och bakåt).

## Användning av kap-/diamantskiva

### Valfria tillbehör

**⚠ VARNING:** "Pressa" inte skivan eller utsätt den för överdrivet tryck. Försök inte att göra ett alltför stort kapdjup. Överbelastning av skivan ökar trycket och risken för att skivan vrids eller fastnar i skäret vilket kan orsaka bakåtkast, sprucken skiva och överhettad motor.

**⚠ VARNING:** Starta inte skärningen med maskinen i arbetsstycket. Låt skivan komma upp i full hastighet och för den försiktigt in i skäret genom att föra maskinen framåt över arbetsstyckets yta. Kapskivan kan fastna, vandra uppåt eller kastas bakåt om elverktyget startas om i arbetsstycket.

**⚠ VARNING:** Under skärningen får skivans vinkel aldrig ändras. Sidotryck på kapskivan (som vid slipning) medför att skivan spricker och sprängs, vilket kan leda till svåra personskador.

**⚠ VARNING:** En diamantskiva ska arbeta vinkelrätt mot det material som ska kapas.

Användningsexempel: användning med slipande kapskiva  
► Fig.26

Användningsexempel: användning med diamantskiva  
► Fig.27

## Användning av den skålformade stålborsten

Valfria tillbehör

**⚠FÖRSIKTIGT:** Kontrollera hur borsten fungerar genom att köra maskinen utan belastning och försäkra dig om att ingen finns framför eller i linje med borsten.

**OBSERVERA:** Undvik att använda för mycket tryck vilket gör att trådarna böjs för mycket vid användning av den skålformade stålborsten. Det kan leda till förtida slitage.

Användningsexempel: användning med skålformad stålborste  
► Fig.28

## Användning av skivstålborsten

Valfria tillbehör

**⚠FÖRSIKTIGT:** Kontrollera hur skivstålborsten fungerar genom att köra maskinen utan belastning och försäkra dig om att ingen finns framför eller i linje med skivstålborsten.

**OBSERVERA:** Undvik att använda för mycket tryck vilket gör att trådarna böjs för mycket vid användning av skivstålborsten. Det kan leda till att borsten förbrukas i förtid.

Användningsexempel: användning med skivstålborste  
► Fig.29

## UNDERHÅLL

**⚠FÖRSIKTIGT:** Se alltid till att maskinen är avstängd och batterikassetten borttagen innan inspektion eller underhåll utförs.

**OBSERVERA:** Använd inte bensin, förtunningsmedel, alkohol eller liknande. Missfärgning, deformation eller sprickor kan uppstå.

För att upprätthålla produktens SÄKERHET och TILLFÖRLITLIGHET bör allt underhålls- och justeringsarbete utföras av ett auktoriserat Makita servicecenter och med reservdelar från Makita.

## Rengöring av ventilationsöppningar

Håll maskinen och luftventilerna rena. Rengör maskinens ventiler regelbundet eller så snart ventilationen försämras.

► Fig.30: 1. Utblås 2. Inlopp

Ta bort dammskyddet från ventilationsinloppet och rengör det för jämn luftcirkulation.

► Fig.31: 1. Dammkåpa

**OBSERVERA:** Rengör dammskyddet när det är igensatt med damm eller främmande material. Om du fortsätter att använda maskinen med ett igensatt dammskydd kan den skadas.

# VALFRIA TILLBEHÖR

**⚠ FÖRSIKTIGT:** Följande tillbehör eller tillsatser rekommenderas för användning med den Makita-maskin som denna bruksanvisning avser. Om andra tillbehör eller tillsatser används kan det uppstå risk för personskador. Använd endast tillbehören eller tillsatserna för de syften de är avsedda för.

Kontakta ditt lokala Makita servicecenter om du behöver ytterligare information om dessa tillbehör.

- Makitas originalbatteri och -laddare

► Fig.32

-	Modell med 100 mm	Modell med 115 mm	Modell med 125 mm
1	Grepp 36		
2	Sprängskydd (för slipskiva)		
3	Inre fläns		
4	Försänkt navrondell/lamellskiva		
5	Låsmutter		
6	Stödplatta		
7	Flexibel rondell		
8	Inre fläns och gummiplatta 76	Gummiplatta 100	Gummiplatta 115
9	Sliprondell		
10	Låsmutter för slipning		
11	Skivstålborste		
12	Skålformad stålborste		
13	Sprängskydd (för kapskiva) *1		
14	Kap-/diamantskiva		
-	Tappnyckel för låsmutter		

**OBS:** \*1 I vissa europeiska länder kan det vanliga sprängskyddet användas tillsammans med diamantskivan istället för det speciella sprängskyddet som täcker båda sidorna av skivan. Följ föreskrifterna i ditt land.

**OBS:** Några av tillbehören i listan kan vara inkluderade i maskinpaketet som standardtillbehör. De kan variera mellan olika länder.

## TEKNISKE DATA

Modell:	GA011G	GA012G	GA013G	GA014G	GA015G	GA016G
Hjuldiameter	100 mm (4")	115 mm (4-1/2")	125 mm (5")	100 mm (4")	115 mm (4-1/2")	125 mm (5")
Maks. hjultrykkelse	6,4 mm	7,2 mm		6,4 mm	7,2 mm	
Spindelgjenger	M10	M14 eller 5/8" (landsspesifikk)		M10	M14 eller 5/8" (landsspesifikt)	
Angitt hastighet (n)	8 500 min <sup>-1</sup>					
Total lengde	med BL4025		398 mm			
	med BL4040		410 mm			
Nettovekt	2,8 – 3,4 kg	3,0 – 3,6 kg		2,8 – 3,3 kg	2,9 – 3,5 kg	2,9 – 3,6 kg
Merkespenning	DC 36 V - 40 V maks					

- På grunn av vårt kontinuerlige forsknings- og utviklingsprogram kan spesifikasjonene som oppgis i dette dokumentet endres uten varsel.
- Spesifikasjonene kan variere fra land til land.
- Vekten kan variere avhengig av tilbehøret/tilbehørene, inkludert batteriet. Den letteste og tyngste kombinasjonen, i henhold til EPTA-prosedyre 01/2014, vises i tabellen.

## Passende batteri og lader

Batteriinnsett	BL4025 / BL4040
Lader	DC40RA

- Noen av batteriene og laderne som er opplistet ovenfor er kanskje ikke tilgjengelige, avhengig av hvor du bor.

**⚠ ADVARSEL:** Bruk kun de batteriene og laderne som er opplistet ovenfor. Bruk av andre batterier og ladere kan føre til personskader og/eller brann.

## Riktig bruk

Maskinen er beregnet på sliping, pussing og kutting av metall og steinmaterialer uten bruk av vann.

## Støy

Typisk A-vektet lydtryknivå er bestemt i henhold til EN60745-2-3:

Modell	Lydtryknivå (L <sub>pa</sub> ): (dB(A))	Lydeffektnivå (L <sub>wa</sub> ): (dB(A))	Usikkerhet (K): (dB(A))
GA011G	81	92	3
GA012G	81	92	3
GA013G	82	93	3
GA014G	81	92	3
GA015G	81	92	3
GA016G	82	93	3

**MERK:** Den/de oppgitte verdien(e) for genererte vibrasjoner har blitt målt i henhold til standard testmetoder, og kan bli brukt til å sammenligne ett verktøy med et annet.

**MERK:** Den/de angitte verdien(e) for de genererte vibrasjonene kan også brukes til en foreløpig vurdering av eksponeringen.

**⚠ADVARSEL:** Bruk hørselsvern.

**⚠ADVARSEL:** De genererte vibrasjonene ved faktisk bruk av elektroverktøyet kan avvike fra den/de angitte vibrasjonsverdien(e), avhengig av hvordan verktøyet brukes.

**⚠ADVARSEL:** Sørg for å identifisere vernetiltak for å beskytte operatøren, som er basert på et estimat av eksponeringen under de faktiske bruksforholdene (idet det tas hensyn til alle deler av driftssyklusen, dvs. hvor lenge verktøyet er slått av, hvor lenge det går på tomgang og hvor lenge startbryteren faktisk holdes trykket).

## Vibrasjoner

Den totale vibrasjonsverdien (triaksial vektorsum) bestemt i henhold EN60745-2-3:

**Arbeidsmåte: Overflatesliping med normalt støttehåndtak**

Modell	Generert vibrasjon ( $a_{hv, AG}$ ) : (m/s <sup>2</sup> )	Usikkerhet (K): (m/s <sup>2</sup> )
GA011G	4,5	1,5
GA012G	5,0	1,5
GA013G	6,0	1,5
GA014G	4,5	1,5
GA015G	5,0	1,5
GA016G	6,0	1,5

**Arbeidsmåte: Overflatesliping med vibrasjonssikkert støttehåndtak**

Modell	Generert vibrasjon ( $a_{hv, AG}$ ) : (m/s <sup>2</sup> )	Usikkerhet (K): (m/s <sup>2</sup> )
GA011G	4,5	1,5
GA012G	5,0	1,5
GA013G	6,5	1,5
GA014G	4,5	1,5
GA015G	5,0	1,5
GA016G	6,5	1,5

**Arbeidsmåte: Plansliping med normalt støttehåndtak**

Modell	Generert vibrasjon ( $a_{hv, AG}$ ) : (m/s <sup>2</sup> )	Usikkerhet (K): (m/s <sup>2</sup> )
GA011G	2,5 m/s <sup>2</sup> eller mindre	1,5
GA012G	2,5	1,5
GA013G	3,0	1,5
GA014G	2,5 m/s <sup>2</sup> eller mindre	1,5
GA015G	2,5	1,5
GA016G	3,0	1,5

**Arbeidsmåte: Plansliping med vibrasjonssikkert støttehåndtak**

Modell	Generert vibrasjon ( $a_{hv, AG}$ ) : (m/s <sup>2</sup> )	Usikkerhet (K): (m/s <sup>2</sup> )
GA011G	2,5 m/s <sup>2</sup> eller mindre	1,5
GA012G	2,5	1,5
GA013G	3,0	1,5
GA014G	2,5 m/s <sup>2</sup> eller mindre	1,5
GA015G	2,5	1,5
GA016G	3,0	1,5

**MERK:** Den/de oppgitte verdien(e) for totalt genererte vibrasjoner har blitt målt i henhold til standard testmetoder, og kan bli brukt til å sammenligne ett verktøy med et annet.

**MERK:** Den/de angitte verdien(e) for totalt genererte vibrasjoner kan også brukes til en foreløpig vurdering av eksponeringen.

**⚠ ADVARSEL:** De genererte vibrasjoner ved faktisk bruk av elektroverktøy kan avvike fra den/de angitte vibrasjonsverdien(e), avhengig av hvordan verktøyet brukes og spesielt i forhold til arbeidsstykket som blir behandlet.

**⚠ ADVARSEL:** Sørg for å identifisere vernetiltak for å beskytte operatøren, som er basert på et estimat av eksponeringen under de faktiske bruksforholdene (idet det tas hensyn til alle deler av driftssyklusen, dvs. hvor lenge verktøyet er slått av, hvor lenge det går på tomgang og hvor lenge startbryteren faktisk holdes trykket).

**⚠ ADVARSEL:** Den oppgitte verdien for genererte vibrasjoner brukes for hovedbruksområdene for elektroverktøyet. Hvis verktøyet brukes til andre formål, kan verdien for de genererte vibrasjonene være en annen.

## EFs samsvarserklæring

*Gjelder kun for land i Europa*

EFs samsvarserklæring er lagt til som vedlegg A i denne bruksanvisningen.

## SIKKERHETSADVARSEL

### Generelle advarsler angående sikkerhet for elektroverktøy

**⚠ ADVARSEL:** Les alle sikkerhetsadvarsler, instruksjoner, illustrasjoner og spesifikasjoner som følger med dette elektroverktøyet. Hvis ikke alle instruksjonene nedenfor følges, kan det forekomme elektrisk støt, brann og/eller alvorlig skade.

### Oppbevar alle advarsler og instruksjoner for senere bruk.

Uttrykket «elektrisk verktøy» i advarslene refererer både til elektriske verktøy (med ledning) tilkoblet strømmenettet, og batteridrevne verktøy (uten ledning).

### Sikkerhetsadvarsler for trådløs slipeskive

**Vanlige sikkerhetsadvarsler for sliping, pussing, stålborsting og kapping :**

- 1. Dette elektriske verktøyet er beregnet for sliping, pussing, stålborsting og kapping. Les alle sikkerhetsadvarsler, instruksjoner, illustrasjoner og spesifikasjoner som følger med dette elektroverktøyet.** Hvis ikke alle instruksjonene nedenfor følges, kan det forekomme elektrisk støt, brann og/eller alvorlig skade.
- 2. Polering bør ikke utføres med dette verktøyet.** Bruk av verktøyet til noe annet enn det er beregnet for, kan medføre fare og forårsake personskade.
- 3. Ikke bruk tilbehør som ikke er spesielt beregnet og anbefalt av verktøyprodusenten.** Det at tilbehøret kan monteres på verktøyet, betyr ikke at det er trygt å bruke.
- 4. Angitt hastighet for tilbehøret må være minst like høy som største angitte hastighet på elektroverktøyet.** Tilbehør som kjøres med større hastighet enn det som er angitt, kan gå i stykker og slynges ut.

- 5. Den ytre diameteren og tykkelsen på tilbehøret må ligge innenfor den angitte kapasiteten for elektroverktøyet.** Tilbehør i feil størrelse kan ikke sikres eller kontrolleres fullgodt.
- 6. Gjengent montering av tilbehør må samsvare med gjengen på sliperen. For tilbehør montert med flenser, må spindelhullet på tilbehøret passe til med diameteren på flensen.** Tilbehør som ikke passer til monteringsmekanismen på verktøyet vil komme ut av balanse, vibrere sterkt og kan forårsake at du mister kontrollen.
- 7. Ikke bruk skadet tilbehør. Før bruk må du undersøke om tilbehør som slipeskiver har hakk eller sprekker, om bakrondeller har sprekker eller er slitt og om stålborster har løse eller ødelagte tråder. Hvis det elektriske verktøyet eller tilbehøret mistes, må du undersøke om det har oppstått skade og eventuelt skifte det ut med uskadd tilbehør. Når et tilbehør er undersøkt og montert, skal du plassere deg selv og andre utenfor tilbehørets rotasjonsplan og kjøre verktøyet på maksimal hastighet, uten belastning, i ett minutt. Skadd tilbehør vil vanligvis gå i stykker i løpet av en slik test.**
- 8. Bruk personlig verneutstyr. Avhengig av bruksområdet, må du bruke visir eller vernebriller. Bruk etter behov støvmaske, hørselsvern, hansker og beskyttelsesdekke som kan stoppe små slipepartikler eller fragmenter fra arbeidsstykket.** Øyevernet må kunne stoppe flygende biter som oppstår under ulike operasjoner. Støvmasken eller åndedrettsvernet må kunne filtrere ut partikler som oppstår under arbeidet. Kraftig lyd over lengre tid kan forårsake redusert hørsel.
- 9. Hold andre på trygg avstand fra arbeidsområdet. Alle som beveger seg inn i arbeidsområdet må bruke personlig verneutstyr.** Fragmenter fra arbeidsstykket eller fra skadet tilbehør kan slynges ut og forårsake skade utenfor det nære arbeidsområdet.
- 10. Hold maskinen kun i det isolerte håndtaket, når skjæreverktøyet kan komme i kontakt med skjulte ledninger under arbeidet.** Kontakt med en strømførende ledning kan føre til at metallidene på det elektriske verktøyet også blir strømførende og kan gi brukeren elektrisk støt.
- 11. Ikke legg ned elektroverktøyet før tilbehøret har stoppet helt.** Det roterende tilbehøret kan få feste i overflaten og trekke elektroverktøyet ut av kontroll.
- 12. Ikke kjør elektroverktøyet når du bærer det langs siden.** Utlisikket kontakt med roterende tilbehør kan føre til at det fester i klærne og trekkes inn mot kroppen.

13. **Rengjør verktøys luftventiler regelmessig.** Motorens vifte trekker støv inn i verktøyhuset og mye oppsamlet metallstøv kan medføre elektrisk fare.
14. **Ikke bruk elektroverktøyet nær brennbare materialer.** Gnister kan antenne slike materialer.
15. **Ikke bruk tilbehør som krever kjølevæske.** Bruk av vann eller andre kjølevæsker kan føre til elektrisk støt.

#### Tilbakeslag og relaterte advarsler

Tilbakeslag er en plutselig reaksjon på en klemt eller fastsittende skive, bakrondell, børste eller annet tilbehør. Fastklemming forårsaker plutselig stopp av det roterende tilbehøret, noe som i sin tur gjør at det ukontrollerbare elektroverktøyet kastes i motsatt retning av tilbehørets rotasjonsretning ved fastklemmingspunktet. Hvis for eksempel en slipeskive klemmes eller hektes fast i arbeidsemnet, kan kanten på skiven som er fastklemt, grave seg inn i overflaten på materialet og føre til at skiven graver seg ut eller slås ut. Skiven kan enten sprette mot eller vekk fra operatøren, avhengig av rotasjonsretningen på skiven når den klemmes fast. Slipeskiver kan også knekke under slike forhold. Tilbakeslag er et resultat av at elektroverktøyet misbrukes og/eller brukes på feil måte eller under feil forhold, og kan unngås ved å ta de nødvendige forholdsreglene som beskrives under.

1. **Hold godt fast i verktøyet og plasser kroppen og armen din slik at du kan motstå kreftene i et tilbakeslag. Bruk alltid hjelpehåndtak når det følger med, for å få best mulig kontroll over tilbakeslag eller dreiemomentreaksjonen ved oppstart.** Operatøren kan kontrollere dreiemomentreaksjonen eller tilbakeslagskreftene hvis de riktige forholdsreglene tas.
2. **Legg aldri hånden nær det roterende tilbehøret.** Tilbehøret kan slå tilbake over hånden.
3. **Ikke plasser kroppen i det området elektroverktøyet kan slå tilbake i.** Tilbakeslag gjør at verktøyet slås i motsatt retning av skivens bevegelse når den blir sittende fast.
4. **Vær spesielt forsiktig under arbeid med hjørner, skarpe kanter osv. Unngå å la tilbehøret sprette eller hugge.** Hjørner, skarpe kanter eller støt har en tendens til å klemme fast det roterende tilbehøret og forårsake tap av kontrollen eller tilbakeslag.
5. **Ikke monter et sagkjedeblad for treskjæring eller et tannet sagblad.** Slike blader gir ofte tilbakeslag og mangel på kontroll.

#### Spesifikke sikkerhetsadvarsler for sliping og kapping :

1. **Bruk bare skiver som er anbefalt for elektroverktøyet.** Skiver som ikke er beregnet for verktøyet, kan ikke sikres godt nok og er utrygge.
2. **Slipeoverflaten til skivene med forsenket nav må monteres under planet til vernet.** En feilmontert skive som stikker gjennom planet for vernet kan ikke tilstrekkelig beskyttes.
3. **Vernet må være ordentlig festet til verktøyet og plasseres slik at det gir størst mulig sikkerhet og slik at minst mulig av skiven vender mot brukeren.** Vernet bidrar til å beskytte brukeren mot brukne skivefragmenter og utilsikket kontakt med skiven og mot gnister som kan antenne klær.

4. **Skiver må bare brukes slik det er anbefalt. For eksempel: Ikke slip med siden av en kappeskive.** Kappeskiver for pussing er bare beregnet for periferisk pussing. Sidekrefter mot disse skivene kan knuse dem.
5. **Bruk alltid uskadede skiveflenser med riktig størrelse og form for skiven du har valgt.** Riktige skiveflenser støtter skiven og reduserer muligheten for skivebrudd. Skiveflenser for kappeskiver kan være forskjellige fra skiveflenser for slipeskiver.
6. **Ikke bruk utslitte skiver fra større elektroverktøy.** Skiver fra større elektroverktøy passer ikke for den høyere hastigheten til mindre verktøy og kan sprekke.

#### Ekstra sikkerhetsadvarsler for kapping :

1. **Ikke «klem fast» den avskårne skiven eller legg sterkt press på den. Ikke forsøk å kutte svært dypt.** For mye press på skiven øker belastningen og sjansen for at skiven vrir eller setter seg fast under kutting, samt at det øker sjansen for tilbakeslag eller at skiven blir ødelagt.
2. **Ikke plasser deg på linje med og bak den roterende skiven.** Når skiven beveger seg bort fra deg ved brukstedet, kan et mulig tilbakeslag drive den roterende skiven og verktøyet rett mot deg.
3. **Når skiven fastklemmes eller du ønsker å avbryte kappingen, må du slå av verktøyet og holde det i ro til skiven har stoppet helt. Du må aldri forsøke å trekke kuttet skive ut av kuttet mens skiven er i bevegelse. Det kan føre til tilbakeslag.** Undersøk årsaken til at skiven setter seg fast, og rett opp feilen.
4. **Ikke start kappingen på nytt mens skiven står i arbeidsemnet. La skiven få full hastighet og sett den forsiktig i kuttet.** Skiven kan sette seg fast, bli trukket oppover eller gi tilbakeslag hvis det elektriske verktøyet startes på nytt i arbeidsemnet.
5. **Støtt opp plater eller store arbeidsemner for å minimere muligheten for fastklemming eller tilbakeslag.** Store arbeidsemner har en tendens til å synke under sin egen vekt. Det må plasseres støtter under arbeidsemnet nært kuttlinjen og nært kanten på arbeidsemnet på begge sider av skiven.
6. **Vær ekstra forsiktig når du lager «hull» i eksisterende vegger eller andre områder uten innsyn.** Skiven som stikker ut, kan kutte gass- eller vannrør, elektriske ledninger eller objekter som kan forårsake tilbakeslag.

#### Spesielle sikkerhetsadvarsler for pussing:

1. **Ikke bruk alt for stort smergelpapir. Følg produsentens anbefalinger når du velger pussepapir.** Stort papir som stikker utenfor pusseputen, kan forårsake oppriving og føre til slitasje eller tilbakeslag på skiven.

#### Spesielle sikkerhetsadvarsler for stålborsting:

1. **Vær oppmerksom på at metalltråder kan løsne fra børsten også ved vanlig bruk. Ikke overbelast metalltrådene ved å legge ekstra trykk på børsten.** Metalltrådene kan lett trenge gjennom tynne klær og hud.
2. **Hvis det anbefales bruk av vern ved stålborsting, må du all unngå kontakt mellom stålborsteskinen eller børsten og vernet.** Stålskiver eller børster kan utvide seg på grunn av arbeidsbelastningen og sentrifugalkreftene.



#### Ekstra sikkerhetsadvarsler:

1. Når du bruker slipeskiver med forsenket nav, må du passe på bare å bruke glassfiberarmerte skiver.
2. BRUK ALDRI denne vinkelsliperen med slipeskiver av typen Stone Cup. Denne vinkelsliperen er ikke konstruert for denne typen hjul, og bruk av et slikt produkt kan resultere i alvorlige helseskader.
3. Vær forsiktig så du ikke ødelegger spindelen, flensen (særlig monteringsflaten) eller låsemutteren. Skade på disse delene kan resultere i at skiven brykker.
4. Forviss deg om at skiven ikke har kontakt med arbeidsstykket før startbryteren er slått på.
5. Før du begynner å bruke maskinen på et arbeidsstykke, bør du la den gå en liten stund. Se etter vibrasjoner eller vingling som kan tyde på at skiven er dårlig balansert.
6. Bruk den angitte overflaten av skiven til å utføre slipingen.
7. Ikke gå fra verktøyet mens det er i gang. Verktøyet må bare brukes mens operatøren holder det i hendene.
8. Ikke berør arbeidsstykket umiddelbart etter bruk. Det kan være ekstremt varmt og kan gi deg brannskader.
9. Følg produsentens anvisninger for korrekt montering og bruk av skiver. Håndter og oppbevar skivene forsiktig.
10. Ikke bruk separate reduksjonsbøssinger eller adaptere for å tilpasse slipeskiver med store hull.
11. Bruk bare flenser som er spesifisert for dette verktøyet.
12. For maskiner som er beregnet på å bli utstyrt med gjengehullsskive, må du forvise deg om at gjengen i hullet er lang nok til å passe til spindellengden.
13. Forviss deg om at arbeidsstykket står støtt.
14. Ta hensyn til at skiven fortsetter å rotere etter at maskinen er slått av.
15. Hvis arbeidsplassen er ekstremt varm og fuktig, eller svært forurenset med elektrisk ledende støv, må du bruke en kortslutningsbryter (30 mA) for å ivareta operatørens sikkerhet.
16. Ikke bruk maskinen på materialer som inneholder asbest.
17. Når du bruker kappeskiven, må du alltid bruke beskyttelseskappen med støvoppsamler, slik lokale bestemmelser krever.
18. Kappeskiver må ikke utsettes for trykk fra siden.
19. Ikke bruk tekstilhansker når du bruker maskinen. Fibre fra tekstilhanskene kan komme inn i maskinen noe som kan føre til brudd i maskinen.

## TA VARE PÅ DISSE INSTRUKSENE.

**⚠ ADVARSEL:** IKKE LA hensynet til hva som er "behagelig" eller det faktum at du kjenner produktet godt (etter mange gangers bruk) gjøre deg mindre oppmerksom på sikkerhetsreglene for bruken av det aktuelle produktet. Ved MISBRUK eller hvis ikke sikkerhetsreglene i denne bruksanvisningen følges, kan det oppstå alvorlig personskade.

## Viktige sikkerhetsanvisninger for batteriinnsetts

1. Før du begynner å bruke batteriet, må du lese alle anvisninger og forsiktighetsregler på (1) batteriladeren, (2) batteriet og (3) det produktet batteriet skal brukes i.
2. Ikke demonter eller tukle batteriet. Det kan føre til brann, overoppheting eller eksplosjon.
3. Hvis driftstiden er blitt vesentlig kortere, må du omgående slutte å bruke maskinen. Hvis ikke kan resultatet bli overoppheting, mulige forbrenninger eller til og med en eksplosjon.
4. Hvis du får elektrolytt i øynene, må du skylle dem med store mengder rennende vann og oppsøke lege med én gang. Denne typen uhell kan føre til varig blindhet.
5. Ikke kortslutt batteriet:
  - (1) De kan være ekstremt varme og du kan brenne deg.
  - (2) Ikke lagre batteriet i samme beholder som andre metallgjenstander, som for eksempel spiker, mynter osv.
  - (3) Ikke la batteriet komme i kontakt med vann eller regn.En kortslutning av batteriet kan føre til et kraftig strømstøt, overoppheting, mulige forbrenninger og til og med til at batteriet går i stykker.
6. Ikke lagre maskinen og batteriet på steder hvor temperaturen kan komme opp i eller overskride 50 °C.
7. Ikke sett fyr på batteriet, ikke engang om det er sterkt skadet eller helt utslitt. Batteriet kan eksplodere hvis det begynner å brenne.
8. Du må ikke spikre, skjære, klemme, kaste eller miste batteriet, og heller ikke slå en hard gjenstand mot batteriet. En slik oppførsel kan føre til brann, overoppheting eller eksplosjon.
9. Ikke bruk batterier som er skadet.
10. Lithium-ion-batteriene som medfølger er gjenstand for krav om spesialavfall.  
For kommersiell transport, f.eks av tredjeparter eller speditorer, må spesielle krav om pakking og merking følges.  
Før varen blir sendt, må du forhøre deg med en ekspert på farlig materiale. Ta også hensyn til mulighetene for mer detaljerte nasjonale bestemmelser.  
Bruk teip eller maskeringsteip for å skjule åpne kontakter og pakk inn batteriet på en slik måte at den ikke kan bevege seg rundt i emballasjen.

- Når du kasserer batteriinnsettsen, må du ta den ut av verktøyet og avhende den på et sikkert sted. Følg lokale bestemmelser for avhending av batterier.
- Bruk batteriene kun med produkter spesifisert av Makita. Montere batteriene i produkter som ikke er konforme kan føre til brann, overheting eller elektrolyttlekkasje.
- Hvis verktøyet ikke skal brukes over en lengre periode, må batteriet tas ut av verktøyet.
- Under og etter bruk kan batteriet bli varmt og føre til brannskader. Vær forsiktig med håndteringen av varme batterier.
- Ikke berører terminalen på verktøyet rett etter bruk, da den kan bli varm og forårsake brannskader.
- Ikke la spon, støv eller jord sette seg fast i terminalene, hullene og sporene i batteriet. Det kan føre til dårlig ytelse eller at verktøyet eller batteriet slutter å fungere.
- Med mindre verktøyet støtter bruk nær en høyspent strømlinje, skal ikke batteriet brukes nær en høyspent strømlinje. Det kan føre til en funksjonsfeil eller at verktøyet eller batteriet slutter å fungere.

## TA VARE PÅ DISSE INSTRUKSENE.

**⚠️FORSIKTIG:** Bruk kun originale Makita-batterier. Bruk av batterier som har endret seg, eller som ikke er originale Makita-batterier, kan føre til at batteriet sprekker og forårsaker brann, personskader og andre skader. Det vil også ugyldiggjøre garantien for Makita-verktøyet og -laderen.

## Tips for å opprettholde maksimal batterilevetid

- Lad batteriinnsettsen før den er helt utladet. Stopp alltid driften av verktøyet og lad batteriinnsettsen når du merker at effekten reduseres.
- Lad aldri en batteriinnsettsen som er fulladet. Overopplading forkorter batteriets levetid.
- Lad batteriet i romtemperatur ved 10 °C - 40 °C. Et varmt batteri må kjøles ned før lading.
- Når batteriet ikke er i bruk, skal det tas ut av verktøyet eller laderen.
- Lad batteriet hvis det ikke har vært brukt på en lang stund (over seks måneder).

## FUNKSJONSBEKRIVELSE

**⚠️FORSIKTIG:** Forviss deg alltid om at maskinen er slått av og batteriet tatt ut før du justerer maskinen eller kontrollerer dens mekaniske funksjoner.

### Sette inn eller ta ut batteri

**⚠️FORSIKTIG:** Slå alltid av verktøyet før du setter inn eller fjerner batteriet.

**⚠️FORSIKTIG:** Hold verktøyet og batteripatronen i et fast grep når du monterer eller fjerner batteripatronen. Hvis du ikke holder verktøyet og batteripatronen godt fast, kan du miste grepet, og dette kan føre til skader på verktøyet og batteripatronen samt personskader.

► Fig.1: 1. Rød indikator 2. Knapp 3. Batteriinnsettsen

For å ta ut batteriet må du skyve på knappen foran på batteriet og trekke det ut.

Når du skal sette inn batteriet, må du plassere tungen på batteriet på linje med sporet i huset og skyve batteriet på plass. Skyv det helt inn til det går i inngrep med et lite klikk. Hvis du kan se den røde anviseren på oversiden av knappen, er det ikke fullstendig låst.

**⚠️FORSIKTIG:** Batteriet må alltid settes helt inn, så langt at den røde anviseren ikke lenger er synlig. Hvis dette ikke gjøres, kan batteriet komme til å falle ut av maskinen og skade deg eller andre som oppholder seg i nærheten.

**⚠️FORSIKTIG:** Ikke bruk makt når du setter i batteriet. Hvis batteriet ikke glir lett inn, er det fordi det ikke settes inn på riktig måte.

### Indikere gjenværende batterikapasitet

Trykk på sjekk-knappen på batteriet for vise gjenværende batterikapasitet. Indikatorlampene lyser i et par sekunder.  
► Fig.2: 1. Indikatorlamper 2. Kontrollknapp

Indikatorlamper			Gjenværende batterinivå
Tent	Av	Blinker	
■	□	▬	75 % til 100 %
■	■	□	50 % til 75 %
■	□	□	25 % til 50 %
■	□	□	0 % til 25 %
▬	□	□	Lad batteriet.
■	■	□	Batteriet kan ha en feil.
□	□	■	

**MERK:** Det angitte nivået kan avvike noe fra den faktiske kapasiteten alt etter bruksforholdene og den omgivende temperaturen.

## Batterivernsystem for verktøy/batteri

Verktøyet er utstyrt med et batterivernsystem for verktøy/batteri. Dette systemet kutter automatisk strømmen til motoren for å forlenge verktøyets og batteriets levetid. Verktøyet stopper automatisk under drift hvis verktøyet eller batteriet utsettes for en av følgende tilstander:

### Overlastsikring

Når verktøyet/batteriet brukes på en måte som gjør at det bruker unormalt mye strøm, vil verktøyet stoppe automatisk og uten forvarsel. Hvis dette skjer, må du slå av verktøyet og avslutte bruken som forårsaket at verktøyet ble overbelastet. Slå deretter verktøyet på for å starte det igjen.

### Overopphetingsvern

Når verktøyet/batteriet er overopphetet, stopper verktøyet automatisk. La verktøyet kjøle seg ned før du slår på verktøyet igjen.

### Overutladningsvern

Når det blir batterikapasiteten er utilstrekkelig, stopper verktøyet automatisk. I så fall fjerner du batteriet fra verktøyet og lader det.

### Koble ut beskyttelseslåsen

Når vernesystemet virker gjentatte ganger låses verktøyet. Hvis dette skjer, vil ikke verktøyet starte, selv om det slås av og på. Beskyttelseslåsen kan kobles ut ved å ta ut batteriet, sette det i batteriladeren og vente til det er ferdig ladet.

### Spindellås

Trykk på spindellåsen for å forhindre spindelrotasjon når du monterer eller fjerner tilbehør.

► **Fig.3:** 1. Spindellås

**OBS:** Du må aldri aktivere spindellåsen mens spindelen beveger seg. Dette kan skade verktøyet.

### Bryterfunksjon

**⚠FORSIKTIG:** Før du setter batteriet i verktøyet, må du kontrollere at bryterspaken beveger seg riktig og går tilbake til posisjonen "AV" når den slippes.

**⚠FORSIKTIG:** Av hensyn til din egen sikkerhet er dette verktøyet utstyrt med en AV-sperrehendel som forhindrer utilsiktet start av verktøyet. Du må ALDRI bruke verktøyet hvis det starter når du trekker i bryterspaken uten at du også må trekke i AV-sperrehendelen. Lever verktøyet til et autorisert serviceverksted for å få det reparert FØR videre bruk.

**⚠FORSIKTIG:** Ikke trekk hardt i bryterspaken uten å trekke i av-sperreknappen. Dette kan få bryteren til å brette.

**⚠FORSIKTIG:** AV-sperrehendelen må ALDRI holdes inne med tape, og den må ALDRI settes ut av funksjon.

► **Fig.4:** 1. AV-sperrehendel 2. Bryterspak

For å hindre at bryterspaken trykkes ved et ulykkestilfelle er maskinen utstyrt med en av-sperreknapp. For å starte verktøyet må du trekke av-sperrehendelen mot operatøren og deretter trykke på bryteren. Du stanser verktøyet ved å slippe bryterspaken.

### Funksjon som forhindrer utilsiktet start

Når du setter i batteriet mens du trekker i bryterspaken, starter ikke verktøyet.

For å starte verktøyet må du først frigjøre bryterspaken. Deretter trekker du i av-sperreknappen og til slutt bryterspaken.

### Elektronisk dreiemomentkontroll-funksjon

Verktøyet vil elektronisk oppdage situasjoner hvor skiven eller tilbehøret risikerer å sette seg fast. I dette tilfellet vil verktøyet automatisk slå seg av, for å unngå at spindelen fortsetter å rotere (det forhindrer ikke tilbakeslag).

For å starte verktøyet på nytt, må du først slå av verktøyet, fjerne årsaken til det plutselige rotasjonsfallet og deretter slå på verktøyet igjen.

### Mykstartfunksjon

Funksjonen for myk start reduserer reaksjonen ved start.

### Elektrisk brems

**Kun for modell GA011G / GA012G / GA013G**

Den elektriske bremsen aktiveres når verktøyet slås av. Bremsen fungerer ikke dersom strømtilførselen kobles ut, ved for eksempel at batteriet tas ut ved en feil, med bryteren på.

## MONTERING

**⚠FORSIKTIG:** Forviss deg alltid om at maskinen er slått av og batteriet tatt ut før du justerer maskinen eller kontrollerer dens mekaniske funksjoner.

### Montere støttehåndtak (hjelpeshåndtak)

**⚠FORSIKTIG:** Forviss deg alltid om at støttehåndtaket er skikkelig montert før du tar maskinen i bruk.

Skru støttehåndtaket godt fast på maskinen i den stillingen som er vist på figuren.

► **Fig.5**

## Monter eller fjerne beskyttelseskappen

**⚠ ADVARSEL:** Ved bruk av slipeskive med forsenket nav / klaffskive, flex-skive eller stål-børste, må skivebeskyttelsen settes på verktøyet slik at den lukkede siden av kappen vender mot operatøren.

**⚠ ADVARSEL:** Kontroller at beskyttelseskappen er låses sikkert av sperrespaken med ett av hullene i beskyttelseskappen.

**⚠ ADVARSEL:** Ved bruk av kappeskive/diamantskive må du forsikre deg om at du bare bruker den spesielle beskyttelseskappen som er beregnet for bruk med kappeskiver.

(I enkelte europeiske land kan det vanlige vernet brukes ved bruk av diamantskive. Følg lokale forskrifter.)

## For forsenket nav, klaffskive, flex-hjul, sirkulærbørste av stål/ kappeskive, diamantskive

1. Mens du skyver sperrespaken monterer du beskyttelseskappen slik at fremspringet på beskyttelseskappebåndet er innrettet med hakket i lagerboksen.

► **Fig.6:** 1. Sperrespak 2. Hakk 3. Fremspring

2. Mens du skyver sperrespaken mot A, skyver du inn beskyttelseskappen ved å holde nede delene B som vist i figuren.

► **Fig.7:** 1. Beskyttelseskappe 2. Hull

**MERK:** Skyv beskyttelseskappen rett ned. Ellers klarer du ikke å skyve beskyttelseskappen helt på plass.

3. Mens du holder sperrespaken og beskyttelseskappen i posisjon som beskrevet i trinn 2, roterer du beskyttelseskappen mot C, og deretter endrer du beskyttelseskappens vinkel i henhold til arbeidet.

► **Fig.8:** 1. Beskyttelseskappe 2. Hull

**MERK:** Skyv beskyttelseskappen helt på plass. Ellers klarer du ikke å rotere beskyttelseskappen.

Fjern beskyttelseskappen ved å følge monteringsfremgangsmåten i motsatt rekkefølge.

## Montere eller fjerne skive med nedsenket nav eller klaffskive

### Valgfritt tilbehør

**⚠ ADVARSEL:** Ved bruk av slipeskive med forsenket nav / klaffskive, må skivebeskyttelsen settes på verktøyet slik at den lukkede siden av kappen vender mot operatøren.

**⚠ FORSIKTIG:** Sørg for at monteringsdelen av den indre flensen passer perfekt inn i den indre omkretsen til den nedsenkede navet / klaffskiven. Hvis den indre flensen monteres på feil side, kan det resultere i farlig vibrasjon.

Monter den indre flensen på spindelen.

Sørg for at du fester den nedsenkede delen av den indre flensen på den rettvinklede delen på bunnen av spindelen.

Sett den nedsenkede navet / klaffskiven på den indre flensen og skru låsemutteren på spindelen.

► **Fig.9:** 1. Låsemutter 2. Forsenket nav 3. Indre flens 4. Monteringsdel

Stram låsemutteren ved å trykke så kraftig på spindelåsen at spindelen ikke kan rotere, og bruk låsemutternøkkelen til å stramme mutteren godt med klokken.

► **Fig.10:** 1. Låsemutternøkkel 2. Spindelåsen

Fjern hjulet ved å følge installeringsfremgangsmåten i motsatt rekkefølge.

## Montere eller fjerne flex-skiven

### Valgfritt tilbehør

**⚠ ADVARSEL:** Når du bruker flex-skiven må du alltid bruke medfølgende beskyttelse. Skiven kan knuse ved bruk, og vernet bidrar til å redusere faren for helseskader.

► **Fig.11:** 1. Låsemutter 2. Flex-hjul 3. Reservepute 4. Indre flens

Følg instruksjonene for skive med nedsenket nav, men bruk også reserveputen over skiven. Se monteringsrekkefølgen på tilbehørssiden i denne håndboken.

## Montere eller fjerne slipeskiven

### Valgfritt tilbehør

**MERK:** Bruk slipetilbehør spesifisert i denne håndboken. Disse må kjøpes separat.

## For 100 mm modell

► **Fig.12:** 1. Låsemutter for sliping 2. Slipeskive 3. Gummirondell 4. Indre flens

1. Monter den indre flensen på spindelen.
2. Monter gummihetten på spindelen.
3. Sett skiven på gummirondellen og skru låsemutteren for sliping på spindelen.
4. Hold spindelen med skaftlåsen og stram låsemutterne for sliping med klokken med låsemutternøkkelen.

Fjern skiven ved å følge installeringsfremgangsmåten i motsatt rekkefølge.

## For 115 mm / 125 mm modell

► **Fig.13:** 1. Låsemutter for sliping 2. Slipeskive 3. Gummirondell

1. Monter gummihetten på spindelen.
2. Sett skiven på gummirondellen og skru låsemutteren for sliping på spindelen.
3. Hold spindelen med skaftlåsen og stram låsemutterne for sliping med klokken med låsemutternøkkelen.

Fjern skiven ved å følge installeringsfremgangsmåten i motsatt rekkefølge.

## Montere eller demontere Ezynut

### Valgfritt tilbehør

**⚠️FORSIKTIG:** Ikke bruk Ezynut med superflens eller vinkelsliper med "F" til slutt i modellnummeret. Disse flensene er så tykke at spindelen ikke kan holde hele det gjengede området.

► **Fig.14:** 1. Ezynut 2. Slipeskive 3. Indre flens 4. Spindel

Monter den indre flensen, slipeskiven og Ezynut på spindelen, og påse at Makita-logoen på Ezynut er vendt utover.

► **Fig.15:** 1. Spindellås

Press aksellåsen godt på og stram Ezynut ved å dreie slipeskiven/ så langt som mulig med klokken.

Drei den utvendige ringen på Ezynut moturs for å løsne.

► **Fig.16:** 1. Pål 2. Fordypning

► **Fig.17**

**MERK:** Du kan løsne Ezynut for hånd så lenge pilen peker mot innsnittet. Ellers må du bruke en låsemutternøkkel for å løsne den. Sett én stift på nøkkelen i et hull og drei Ezynut moturs.

## Installere en kappeskive/diamantskive

### Valgfritt tilbehør

**⚠️ADVARSEL:** Ved bruk av kappeskive/diamantskive må du forsikre deg om at du bare bruker den spesielle beskyttelseskappen som er beregnet for bruk med kappeskiver.

(I enkelte europeiske land kan det vanlige vernet brukes ved bruk av diamantskive. Følg lokale forskrifter.)

**⚠️ADVARSEL:** IKKE bruk kappeskiver til sideveis sliping.

► **Fig.18:** 1. Låsemutter 2. Slipende kappeskive/diamantskive 3. Indre flens 4. Skivevern for slipende kappeskive/diamantskive

Når det gjelder installasjonen, må du følge anvisningene for nedsenket nav.

**Monteringsretningen for låsemutteren og den indre flensen varierer med skivetype og -tykkelse.**

Se følgende figurer.

### For 100 mm modell

Når du installerer det slipende kapphjulet:

► **Fig.19:** 1. Låsemutter 2. Slipende kapphjul (tynnere enn 4 mm) 3. Slipende kapphjul (4 mm eller tykkere) 4. Indre flens

Når du installerer diamanthjulet:

► **Fig.20:** 1. Låsemutter 2. Diamanthjul (tynnere enn 4 mm) 3. Diamanthjul (4mm eller tykkere) 4. Indre flens

### For 115 mm / 125 mm modell

Når du installerer det slipende kapphjulet:

► **Fig.21:** 1. Låsemutter 2. Slipende kapphjul (tynnere enn 4 mm) 3. Slipende kapphjul (4 mm eller tykkere) 4. Indre flens

Når du installerer diamanthjulet:

► **Fig.22:** 1. Låsemutter 2. Diamanthjul (tynnere enn 4 mm) 3. Diamanthjul (4mm eller tykkere) 4. Indre flens

## Installere en koppbørsten av stål

### Valgfritt tilbehør

**⚠️FORSIKTIG:** Ikke bruk en børste som er skadet, eller som ikke er balansert. Hvis du bruker en skadet børste, kan dette øke faren for personskaade ved kontakt med ødelagte børstetråder.

► **Fig.23:** 1. Koppbørste av stål

Fjern batteriet fra verktøyet og snu det opp ned for å få enkel tilgang til spindelen.

Demonter alt tilbehør fra spindelen. Monter koppbørsten av stål på spindelen og trekk til med den medfølgende nøkkelen.

## Installere en sirkulærbørste av stål

### Valgfritt tilbehør

**⚠️FORSIKTIG:** Ikke bruk en skivebørste som er skadet, eller som ikke er balansert. Hvis du bruker en skadet skivebørste, kan dette øke faren for personskaade ved kontakt med ødelagte børstetråder.

**⚠️FORSIKTIG:** Bruk ALLTID beskyttelseskappen med skivebørster, og pass på at skivens diameter passer inne i beskyttelseskappen. Skiven kan knuse ved bruk, og vernet bidrar til å redusere faren for helseskader.

► **Fig.24:** 1. Sirkulærbørste av stål

Fjern batteriet fra verktøyet og snu det opp ned for å få enkel tilgang til spindelen.

Demonter alt tilbehør fra spindelen. Skru skivebørsten på spindelen og stram med nøklene.

## BRUK

**⚠️ADVARSEL:** Det er aldri nødvendig å bruke makt på verktøyet. Vekten av maskinen utøver passende trykk. Makt og for stort press kan føre til farlige brudd i skiven.

**⚠️ADVARSEL:** Skiven må ALLTID skiftes hvis maskinen mistes under sliping.

**⚠️ADVARSEL:** ALDRI dunk eller slå slipeskiven mot arbeidsstykket.

**⚠️ADVARSEL:** Unngå at skiven hopper eller setter seg fast, særlig ved sliping av hjørner, skarpe kanter osv. Dette kan føre til at du mister kontrollen, og at maskinen slår tilbake mot deg.

**⚠️ADVARSEL:** Maskinen må ALDRI brukes med skjæreblader for tre eller andre sagblader. Hvis slike blader brukes på en slipemaskin, kan de ofte føre til slag fra maskinen, slik at operatøren mister kontrollen og blir skadet.

**⚠FORSIKTIG:** Maskinen må aldri slås på mens den er i berøring med arbeidsstykket, da dette kan skade operatøren.

**⚠FORSIKTIG:** Bruk alltid vernebriller eller ansiktsmaske ved arbeid med maskinen.

**⚠FORSIKTIG:** Når du er ferdig å bruke maskinen må du alltid slå den av og vente til skiven har stoppet helt før du setter maskinen ned.

**⚠FORSIKTIG:** Ha ALLTID én hånd på selve verktøyhuset og den andre hånden på støttehåndtaket (håndtaket).

## Sliping og pussing

► Fig.25

Slå på maskinen og sett så skiven i berøring med arbeidsstykket.

Generelt skal kanten av skiven holdes i en vinkel på omtrent 15° mot overflaten av arbeidsstykket.

I innkjøringsperioden for en ny skive må slipemaskinen ikke brukes i foroverretning, da dette kan føre til at den skjærer inn i arbeidsstykket. Så snart kanten av skiven er rundet av etter å være brukt litt, kan den brukes i både forover- og bakoverretning.

## Bruke kappeskive/diamantskive

*Valgfritt tilbehør*

**⚠ADVARSEL:** Ikke «klem fast» skiven eller legg sterkt press på den. Ikke forsøk å kutte svært dypt. For mye press på skiven øker belastningen og muligheten for vridning eller fastklemming av skiven i kuttet, noe som kan føre til tilbakeslag, skivebrudd og overoppheting av motoren.

**⚠ADVARSEL:** Ikke start kappingen mens skiven står i arbeidsstykket. La skiven få full hastighet og sett den forsiktig i kuttet samtidig som du beveger verktøyet fremover over overflaten på arbeidsstykket. Skiven kan sette seg fast, vandre opp eller slå tilbake hvis verktøyet startes med skiven i arbeidsstykket.

**⚠ADVARSEL:** Ikke endre vinkel på skiven under bruk. Legger du sideveis press på kappeskiven (som ved pussing), kan det føre til at skiven sprekker og brytes i stykker, noe som kan føre til alvorlig personskade.

**⚠ADVARSEL:** En diamantskive skal brukes vinkelrett på materialet som kuttet.

Eksempel på bruk: med kappeskive med slipeeffekt  
► Fig.26

Brukseksempel: bruk med diamantskive  
► Fig.27

## Bruke koppbørsten av stål

*Valgfritt tilbehør*

**⚠FORSIKTIG:** Kontroller driften av børsten ved å kjøre verktøyet uten belastning, og forsikre deg om at ingen er foran eller ved siden av børsten.

**OBS:** Unngå å bruke for stort trykk, som kan føre at metalltrådene bøyes når du bruker koppbørsten av stål. Det kan føre til at de ødelegges for tidlig.

Brukseksempel: bruk med koppbørsten av stål  
► Fig.28

## Bruke sirkulær stålborste

*Valgfritt tilbehør*

**⚠FORSIKTIG:** Kontroller driften av skivebørsten ved å kjøre verktøyet uten belastning, og forsikre deg om at ingen er foran eller ved siden av skivebørsten.

**OBS:** Unngå å bruke for stort trykk, som kan føre at metalltrådene bøyes når du bruker sirkulærbørsten av stål. Det kan føre til at de ødelegges for tidlig.

Brukseksempel: bruk med sirkulærbørste av stål  
► Fig.29

## VEDLIKEHOLD

**⚠FORSIKTIG:** Forviss deg alltid om at maskinen er slått av og batteriet tatt ut før du foretar inspeksjon eller vedlikehold.

**OBS:** Aldri bruk gasolin, bensin, tynner alkohol eller lignende. Det kan føre til misfarging, deformering eller sprekkdannelse.

For å opprettholde produktets SIKKERHET og PÅLITELIGHET, må reparasjoner, vedlikehold og justeringer utføres av Makitas autoriserte servicesentre, og det må alltid brukes reservedeler fra Makita.

## Rengjøring av luftventil

Maskinen og luftenåpningene må holdes rene. Rengjør maskinens luftenåpninger med jevne mellomrom og ellers når åpningene begynner å tettes.

► Fig.30: 1. Ventilasjonsutløp 2. Innsugsventil

Fjern støvdekselet fra innsugsventilen, og rengjør det for å sikre en jevn luftsirkulering.

► Fig.31: 1. Støvdeksel

**OBS:** Rengjør støvdekselet når det er tilstoppet av støv eller fremmedlegemer. Fortsett drift med et tilstoppet støvdeksel kan skade verktøyet.

# VALGFRITT TILBEHØR

**⚠FORSIKTIG:** Det anbefales at du bruker dette tilbehøret eller verktøyet sammen med den Makita-maskinen som er spesifisert i denne håndboken. Bruk av annet tilbehør eller verktøy kan forårsake personskader. Tilbehør og verktøy må kun brukes til det formålet det er beregnet på.

Ta kontakt med ditt lokale Makita-servicesenter hvis du trenger mer informasjon om dette tilbehøret.

- Makita originalbatteri og lader

► Fig.32

-	100 mm modell	115 mm modell	125 mm modell
1	Håndtak 36		
2	Beskyttelseskappe (for slipehjul)		
3	Indre flens		
4	Nedsenket nav / klaffskive		
5	Låsemutter		
6	Reservepute		
7	Flex-hjul		
8	Indre flens og gummirondell 76	Gummihette 100	Gummihette 115
9	Slipeskive		
10	Låsemutter for sliping		
11	Sirkulærbørste av stål		
12	Koppbørste av stål		
13	Beskyttelseskappe (for kapphjul) *1		
14	Slipende kappeskive / diamantskive		
-	Låsemutternøkkel		

**MERK:** \*1 Når du bruker et diamanthjul i enkelte europeiske land, kan en vanlig kappe brukes istedenfor spesialkappen som dekker begge sider av hjulet. Følg lokale forskrifter.

**MERK:** Enkelte elementer i listen kan være inkludert som standardtilbehør i verktøypakken. Elementene kan variere fra land til land.

## TEKNISET TIEDOT

Malli:	GA011G	GA012G	GA013G	GA014G	GA015G	GA016G
Laikan halkaisija	100 mm (4")	115 mm (4-1/2")	125 mm (5")	100 mm (4")	115 mm (4-1/2")	125 mm (5")
Laikan suurin paksuus	6,4 mm	7,2 mm		6,4 mm	7,2 mm	
Karan kierre	M10	M14 tai 5/8" (maakohtainen)		M10	M14 tai 5/8" (maakohtainen)	
Nimellisnopeus (n)	8 500 min <sup>-1</sup>					
Kokonaispituus	BL4025:n kanssa		398 mm			
	BL4040:n kanssa		410 mm			
Nettopaino	2,8–3,4 kg	3,0–3,6 kg		2,8–3,3 kg	2,9–3,5 kg	2,9–3,6 kg
Nimellisjännite	DC 36 V – 40 V maks.					

- Jatkuvasta tutkimus- ja kehitystyöstämme johtuen esitetyt tekniset tiedot saattavat muuttua ilman erillistä ilmoitusta.
- Tekniset tiedot voivat vaihdella maittain.
- Paino voi olla erilainen lisävarusteista sekä akusta johtuen. EPTA-menettelytavan 01/2014 mukaisesti, taulukossa on kuvattu kevyin ja painavin laiteyhdistelmä.

### Käytettävä akkupaketti ja laturi

Akkupaketti	BL4025/BL4040
Laturi	DC40RA

- Tiettyjä yläpuolella kuvattuja akkuja ja latureita ei ehkä ole saatavana asuinalueestasi johtuen.

**VAROITUS:** Käytä vain edellä eriteltyjä akkupaketteja ja latureita. Muiden akkupakettien ja laturien käyttäminen voi aiheuttaa loukkaantumisen ja/tai tulipalon.

### Käyttötarkoitus

Työkalu on tarkoitettu metallin ja kiven hiomiseen ja leikkaamiseen ilman vettä.

### Melutaso

Tyypillinen A-painotettu melutaso määräytyy standardin EN60745-2-3 mukaan:

Malli	Äänenpainetaso (L <sub>pa</sub> ): (dB(A))	Äänentehotaso (L <sub>wa</sub> ): (dB(A))	Virhemarginaali (K): (dB(A))
GA011G	81	92	3
GA012G	81	92	3
GA013G	82	93	3
GA014G	81	92	3
GA015G	81	92	3
GA016G	82	93	3

**HUOMAA:** Ilmoitetut melutasoarvot on mitattu standarditestausmenetelmän mukaisesti ja niiden avulla voidaan vertailla työkaluja keskenään.

**HUOMAA:** Ilmoitettuja melutasoarvoja voidaan käyttää myös altistumisen alustavaan arviointiin.

**VAROITUS:** Käytä kuulosuojaimia.

**VAROITUS:** Sähkötyökalun käytön aikana mitattu melutasoarvo voi poiketa ilmoitetuista arvoista laitteen käytettävän ja erityisesti käsiteltävän työkappaleen mukaan.

**VAROITUS:** Selvitä käyttäjän suojaamiseksi tarvittavat varoimet todellisissa käyttöolosuhteissa tapahtuvan arvioitun altistumisen mukaisesti (ottaen huomioon käyttöjako kokonaisuudessaan, myös jaksot, joiden aikana laite on sammutettuna tai käy tyhjäkäynnillä).



Kokonaistärinä (kolmen akselin vektorien summa) määräytyy standardin EN60745-2-3 mukaan:

**Käyttötila: pintahionta tavallista sivukahvaa käyttäen**

Malli	Tärinäpäästö ( $a_{h, AG}$ ): ( $m/s^2$ )	Virhemarginaali (K): ( $m/s^2$ )
GA011G	4,5	1,5
GA012G	5,0	1,5
GA013G	6,0	1,5
GA014G	4,5	1,5
GA015G	5,0	1,5
GA016G	6,0	1,5

**Käyttötila: pintahionta tärinänvaimentavaa sivukahvaa käyttäen**

Malli	Tärinäpäästö ( $a_{h, AG}$ ): ( $m/s^2$ )	Virhemarginaali (K): ( $m/s^2$ )
GA011G	4,5	1,5
GA012G	5,0	1,5
GA013G	6,5	1,5
GA014G	4,5	1,5
GA015G	5,0	1,5
GA016G	6,5	1,5

**Käyttötila: laikkahionta tavallista sivukahvaa käyttäen**

Malli	Tärinäpäästö ( $a_{h, AG}$ ): ( $m/s^2$ )	Virhemarginaali (K): ( $m/s^2$ )
GA011G	2,5 $m/s^2$ tai vähemmän	1,5
GA012G	2,5	1,5
GA013G	3,0	1,5
GA014G	2,5 $m/s^2$ tai vähemmän	1,5
GA015G	2,5	1,5
GA016G	3,0	1,5

**Käyttötila: laikkahionta tärinänvaimentavaa sivukahvaa käyttäen**

Malli	Tärinäpäästö ( $a_{h, AG}$ ): ( $m/s^2$ )	Virhemarginaali (K): ( $m/s^2$ )
GA011G	2,5 $m/s^2$ tai vähemmän	1,5
GA012G	2,5	1,5
GA013G	3,0	1,5
GA014G	2,5 $m/s^2$ tai vähemmän	1,5
GA015G	2,5	1,5
GA016G	3,0	1,5

**HUOMAA:** Ilmoitetut kokonaistärinäarvot on mitattu standarditestausmenetelmän mukaisesti ja niiden avulla voidaan vertailla työkaluja keskenään.

**HUOMAA:** Ilmoitettuja kokonaistärinäarvoja voidaan käyttää myös altistumisen alustavaan arviointiin.

**VAROITUS:** Sähkötyökalun käytön aikana mitattu todellinen tärinäpäästöarvo voi poiketa ilmoitetuista arvoista laitteen käyttötavan ja erityisesti käsiteltävän työkalupaleen mukaan.

**VAROITUS:** Selvitä käyttäjän suojaamiseksi tarvittavat varotoimet todellisissa käyttöolosuhteissa tapahtuvan arvioitun altistumisen mukaisesti (ottaen huomioon käyttöjakso kokonaisuudessaan, myös jaksot, joiden aikana laite on sammutettuna tai käy tyhjäkäynnillä).

**VAROITUS:** Ilmoitettu tärinäpäästöarvo koskee tämän työkalun pääasiallisia käyttötarkoituksia. Tärinäpäästöarvo voi kuitenkin muuttua, jos työkalua käytetään muihin tarkoituksiin.

## Koskee vain Euroopan maita

EY-vaatimusten mukaisuusvakuutus on liitetty tähän käyttöoppaaseen.

## TURVAVAROITUKSET

### Sähkötyökalujen käyttöä koskevat yleiset varoitukset

**VAROITUS:** Tutustu kaikkiin tämän sähkötyökalun mukana toimitettuihin varoituksiin, ohjeisiin, kuviin ja teknisiin tietoihin. Seuraavassa luettelujen ohjeiden noudattamatta jättäminen saattaa johtaa sähköiskuun, tulipaloon tai vakavaan vammautumiseen.

### Säilytä varoitukset ja ohjeet tulevaa käyttöä varten.

Varoituksissa käytettävällä termillä "sähkötyökalu" tarkoitetaan joko verkkovirtaa käyttävää (johdollista) työkalua tai akkukäyttöistä (johdotonta) työkalua.

### Akkukäyttöisen hiomakoneen turvaohjeet

Hiontaa, hiekkapaperihiontaa, harjausta ja katkaisua koskevat yleiset varoitukset:

1. Tätä sähkötyökalua voidaan käyttää hiomakoneena, hiekkapaperihiomakoneena, teräsharjana ja katkaisutyökaluna. Tutustu kaikkiin tämän sähkötyökalun mukana toimitettuihin varoituksiin, ohjeisiin, kuviin ja teknisiin tietoihin. Seuraavassa luettelujen ohjeiden noudattamatta jättäminen saattaa johtaa sähköiskuun, tulipaloon tai vakavaan vammautumiseen.
2. Älä käytä työkalua kiillottamiseen. Sellaiset toiminnot, joihin tätä sähkötyökalua ei ole suunniteltu, voivat aiheuttaa vaaran ja aiheuttaa henkilövamman.
3. Älä käytä sellaisia lisävarusteita, jotka eivät ole nimenomaan valmistajan suunnitteleimia tai suosittelemia. Vaikka lisävarusteen voi kiinnittää työkaluun, sen käyttö ei silti välttämättä ole turvallista.
4. Lisävarusteen määrätyn nopeuden täytyy olla ainakin samanvertainen tehokoneessa osoitetun enimmäisnopeuden kanssa. Sellaiset lisävarusteet, jotka toimivat nopeammin, kuin määritetty nopeus, voivat rikkoutua ja sinkoutua erilleen.
5. Lisävarusteisi ulkohalkaisijan ja paksuuden on oltava tehokoneesi määritetyn kapasiteetin sisällä. Väärin mitoitettuja lisävarusteita ei voida suojata tai ohjata sopivasti.
6. Lisävarusteiden kierteitetyn asennuskiinnityksen on vastattava hiomakoneen karan kiertettä. Laippa-asennettavien lisävarusteiden asennusreiän on vastattava kohdistuslaipan halkaisijaa. Jos lisävaruste ei sovi tehokoneen asennusvarustukseen, tehokone ei ole tasapainossa. Se voi täristä voimakkaasti, mikä voi aiheuttaa työkalun hallinnan menetyksen.

7. Älä käytä viallissa lisävarusteita. Ennen jokaista käyttökertaa tarkista, että hiomalaikassa ei ole lohkeamia tai halkeamia, tyyntyissä ei ole halkeamia tai merkkejä liiallisesta kulumisesta ja että teräsharjan harjukset eivät ole irti tai halkeilleet. Jos työkalu tai lisävaruste pääsee putoamaan, tarkista sen kunto tai vaihda lisävaruste ehjään. Asetu lisävarusteen tarkastuksen ja asennuksen jälkeen niin, ettet itse tai kukaan sivullinen ole pyörivän lisävarusteen kanssa samassa tasossa ja käytä laitetta sitten suurimmalla sallitulla joutokäyntinopeudella yhden minuutin ajan. Vioittunut lisävaruste hajoo yleensä tässä testiajassa.
8. Käytä suojavarusteita. Käytä käyttötarkoituksen mukaisesti kasvosuojusta, suojalaseja tai sivusuojilla varustettuja laseja. Käytä tarvittaessa hengityssuojainta, kuulosuojaimia, hansikkaita ja työessua, joka suojaa pieniltä pirstaleilta. Suojalasiin täytyy suojata kaikenlaisista töistä aiheutuville lentäville pirstaleilla. Hengityssuojaimen täytyy suodattaa työskentelyn tuottamat hiukkaset. Pitkäaikainen altistuminen voimakkaalle melulle voi vahingoittaa kuuloa.
9. Sivullisten tulee pysyä turvallisen etäisyyden päässä työskentelyalueesta. Kaikkien työskentelyalueelle tulevien on käytettävä suojavarusteita. Työkappaleen tai rikkoutuneen lisävarusteen pirstaleet voivat aiheuttaa vamman välittömästi toiminta-alueen ulkopuolella.
10. Kun suoritat toimintaa, jossa työkalu voi joutua kosketukseen piilossa olevien johtojen kanssa, pidä kiinni työkalusta sen eristetyyn pinnan kohdalta. Jos sähkötyökalun metalliosia joutuu kosketukseen virrallisen johdon kanssa, työkalun sähköä johtavat metalliosat voivat aiheuttaa käyttäjälle sähköiskun.
11. Älä koskaan laita tehokoneetta alas, ennen kuin lisävaruste on täysin pysähtynyt. Pyörivä lisävaruste voi tarrata pintaan ja vetää tehokoneen käsistäsi.
12. Älä käytä laitetta, kun annat sitä sivullisille. Vahingossa aiheutuva kosketus pyörivään lisävarusteeseen voi repiä vaatteesi, vetäen lisävarusteen kehoosi.
13. Puhdista työkalun ilma-aukot säännöllisesti. Moottorin tuuletin imee pölyä koteloon, ja metallijauheen kerääntymisen laitteeseen voi aiheuttaa sähköiskuvaaran.
14. Älä käytä tehokoneetta tulenarkojen materiaalien lähellä. Kipinät voivat sytyttää nämä materiaalit.
15. Älä käytä sellaisia lisävarusteita, jotka vaativat jäähdytysnesteitä. Jos käytät vettä tai muita jäähdytysnesteitä, ne voivat aiheuttaa sähkökapaturman tai -iskun.

### Takapotku ja siihen liittyvät varoitukset

Takapotku on kiinni juuttuneen laikan, tynnyin, harjan tai muun lisävarusteen aiheuttama äkillinen sysäys. Kiinni juuttuminen tai takertelu aiheuttaa sen, että pyörivä lisävaruste pysähtyy, mikä puolestaan alkaa työntää laitetta hallitsemattomasti pyörimisliikkeelle vastakkaiseen suuntaan. Jos laikka esimerkiksi juuttuu työkappaleeseen, juuttumiskohtaan pureutumassa oleva laikka voi tunkeutua kappaleen pintaan, jolloin se kiipeää ylös tai potkaisee taaksepäin. Laikka voi ponnahtaa joko käyttäjää kohti tai käyttäjältä pois päin riippuen laikan pyörimissuunnasta juuttumishetkellä. Hiomalaikat voivat myös rikkoutua näissä tilanteissa.

Takapotku johtuu tehokoneen virheellisestä käytöstä ja/tai käyttötavasta tai olosuhteista. Takapotku voidaan välttää seuraavien varoimien avulla.

1. **Pitele tehokoneesta tukevasti kiinni ja asetu sellaiseen asentoon, että voit vastustaa takapotkun voimaa.** Käytä aina apukahvaa, jos annettu mukana, takapotkujen tai vääntömomentin maksimi hallinnon vuoksi käynnistyksen aikana. Käyttäjä voi hallita vääntömomentin reaktioita tai takapotkun voimaa noudattamalla sopivia varoimenpiteitä.
2. **Älä koskaan vie kättäsi pyörivän lisävarusteen lähelle.** Lisävaruste saattaa aiheuttaa takapotkun käsillesi.
3. **Älä asetu niin, että kehosi jää sähkötyökalun tielle takapotkun sattuessa.** Takapotku heittää laitetta laikan pyörimissuuntaan nähden päinvas-taiseen suuntaan.
4. **Ole erityisen varovainen, kun työstät nurkkia, teräviä reunoja tms. Vältä laikan pompomista ja jumittumista.** Kulmilla, terävillä reunoilla tai ponnah-tamisella on taipumus repäistä pyörivää lisävarustetta ja aiheuttaa hallinnan menettämisen tai takapotkun.
5. **Älä käytä laitteessa moottorisahan puunleikkute-rää tai hammastettua terää.** Tällaiset terät aiheutta-vat usein takapotkuja ja hallinnan menettämisen.

#### Hiontaa ja katkaisua koskevat erityiset varoitukset:

1. **Käytä vain kyseiselle sähkötyökalulle tarkoitetu-ja laikkatyyppisiä ja kyseiselle laikalle tarkoi-tettua erikoisuujoaa.** Muita kuin kyseiselle sähkötyökalulle nimenomaisesti tarkoitettuja laikkoja ei voida suojata kunnolla, eivätkä ne ole turvallisia.
2. **Upotetulla navalla varustettujen laikkojen hioma-pinnan on oltava suojareunan tason alapuolella.** Väärin asennettua laikkaa, joka työntyä suojareunan tason läpi, ei ole asianmukaisesti suojattu.
3. **Suojos on kiinnitettävä laitteeseen tukevasti turvalliseen asentoon niin, että mahdollisimman pieni osa laikasta näkyy käyttäjää kohti.** Suoja suojaa käyttäjää rikkoutuneen laikan palasilta ja kipinoilta, jotka voisivat syyttää vaatteet palamaan, sekä estää vahingossa koskettamista laikkaa.
4. **Laikkoja saa käyttää vain niille suositeltuun käyttötarkoitukseen.** Esimerkki: älä käytä kat-kaisulaikan sivua hiomiseen. Katkaisulaikkaa käytettäessä hionta on tarkoitettu tehtäväksi vain laikan kehällä. Laikkaan kohdistettava sivuttais-voima voi rikkoa sen sirpaleiksi.
5. **Käytä aina ehjiä ja oikean kokoisia laikkalaip-poja, joiden muoto vastaa valittua laikkaa.** Oikeantyyppiset laikkalaipat tukevat laikkaa ja pienentävät näin laikan rikkoutumisriskiä. Katkaisulaikkoihin tarkoitettua laipat voivat olla erilaisia kuin hiomalaikkojen laipat.
6. **Älä käytä suurempien sähkötyökalujen kulu-neita laikkoja.** Suuriin sähkötyökaluihin tarkoitettut laikat eivät sovi suuremmalla nopeudella toimiviin pienempiin työkaluihin ja voivat siksi hajota.

#### Katkaisua koskevat lisävaroitukset:

1. **Älä aina laikan juuttua paikalleen älkää käytä liiallista painetta.** Älä yritä tehdä liian syvää uraa. Laikan liiallinen painaminen lisää kuor-mitusta ja laikan vääntymis- tai juuttumisriskiä, jolloin seurauksena voi olla takapotku tai laikan rikkoutuminen.

2. **Älä asetu samaan linjaan pyörivän laikan taakse.** Kun laikka käytettäessä liikkua käyttäjistä pois-päin, mahdollinen takapotku voi syyttää pyörivän laikan ja sähkötyökalun suoraan käyttäjää kohti.
3. **Kun laikka takertelee tai työ joudutaan jostakin syyistä keskeyttämään, katkaise laitteesta virta ja pidä sitä paikoillaan liikkumatta, kunnes laikka on täysin pysähtynyt.** Älä koskaan yritä irrottaa laikkaa urasta, kun laikka vielä pyörii, koska seu-rauksena voi olla takapotku. Selvitä laikan takerte-lun syy ja poista juuttumisen aiheutumisen syy.
4. **Älä käynnistä laitetta niin, että se on kiinni työkalupaleessa.** Anna laikan savuttaa täysi pyörimisnopeus ja työnnä laikka sitten varo-vasti leikkuu-uraa. Jos työkalu käynnistetään niin, että se on kiinni työkalupaleessa, laikka voi juuttua, työntyä taaksepäin tai ponnahtaa ylös.
5. **Vähennä laikan takertelu- ja takapotkuriskiä tukemalla paneelit ja ylisuurat työkalupaleet huolellisesti.** Suurikokoiset työkalupaleet pyrkivät taipumaan omasta painostaan. Työkalupale on tuettava laikan kummaltakin puolelta leikkulinjan vierestä ja työkalupaleen reunoilta.
6. **Ole erityisen varovainen, kun teet aukkoja sei-niin tai muihin umpinaisiin rakenteisiin.** Laikka voi katkaista kaasu- tai vesiputken tai sähköjoh-toja tai osua takapotkun aiheuttaviin esteisiin.

#### Hiekkapaperihiontaa koskevat erikoismääräykset:

1. **Älä käytä ylikoista hiomalaikkapaperia.** Noudatta hiekkapaperin valinnassa valmistajan suosituksia. Hiomatyyppin ulkopuolelle ulottuva hiekkapaperi voi revetä ja aiheuttaa takertelua, laikkavaurioita tai takapotkun.

#### Teräsharjausta koskevat erityiset varoitukset:

1. **Ota huomioon, että harjaksia irtoaa harjasta myös normaalikäytössä.** Älä kuormita harjaksia turhaan painamalla liian voimakkaasti. Harjaketet voivat hel-posti tunkeutua kevyen vaatetuksen ja/tai ihon läpi.
2. **Jos harjauksessa suositellaan käytettäväksi suojusta, älä anna harjauslaikan tai harjan koskettaa suojukseen.** Harjauslaikan tai harjan halkaisija voi kasvaa kuormituksen ja keskipakoi-voiman vaikutuksesta.

#### Turvallisuutta koskevat lisävaroitukset:

1. **Jos käytät hiomalaikkaa, jossa on upo-tettu keskiö, varmista, että laikka on lasikuituvahvisteinen.**
2. **ÄLÄ KOSKAAN käytä tässä hiomakoneessa kiven hiontaan tarkoitettuja kuppilaitteita.** Hiomakoneita ei ole suunniteltu tämän tyyppisten laikkojen käyttöön. Vääräntyyppisten laikkojen käyttö voi aiheuttaa vakavan henkilövahingon.
3. **Varo, ettet vahingoita karaa, laippaa (erityisesti asennuspintaa) tai lukkomutteriä.** Näiden osien vioittuminen voi aiheuttaa laikan rikkoutumisen.
4. **Varmista, ettei laikka kosketa työkalupaleeseen, ennen kuin virta on kytketty päälle pyrkimestä.**
5. **Anna koneen käydä jonkin aikaa, ennen kuin alat työstää työkalupaletta.** Varo, ettei se värähtele tai tärisse, mikä voi olla merkki siitä, että laikka on huonosti asennettu tai tasapainotettu.
6. **Käytä hiontaan siihen tarkoitettua laikan pintaa.**
7. **Älä jätä työkalua käymään itseksensä.** Käytä laitetta vain silloin, kun pidät sitä kädessä.

8. Älä kosketa työkalupaletteita heti käytön jälkeen, sillä se saattaa olla erittäin kuuma ja polttaa ihoa.
9. Noudata valmistajan ohjeita laikkojen oikeasta asennuksesta ja käytöstä. Käsittele laikkoja varoen ja säilytä niitä huolella.
10. Älä käytä erillisiä supistusholkkeja tai sovitimia isoakkoisten hiomalaikkojen kiinnitykseen.
11. Käytä ainoastaan tälle työkalulle tarkoitettuja laippoja.
12. Kun käytät kierre-erällä varustetuille laikoille tarkoitettua työkalua, varmista, että laikan kiertäet vastaavat pituudeltaan karan pituutta.
13. Varmista, että työkalu on tukevasti paikoillaan.
14. Ota huomioon, että laikka jatkaa pyörimistään vielä sen jälkeen, kun virta on katkaistu.
15. Jos työtila on erittäin kuuma ja kostea tai siinä esiintyy runsaasti sähköä johtavaa pölyä, varmista turvallisuus käyttämällä vikavirtakatkaisinta (30 mA).
16. Älä hio tai leikkaa työkalulla mitään asbestia sisältäviä materiaaleja.
17. Käytä aina paikallisten määräysten edellyttämää pölyä keräävää laikansuojusta.
18. Katkaisulaikkaa ei saa painaa sivusuunnassa.
19. Älä pidä kankaisia työkäsineitä käytön aikana. Kankaisista käsineistä irtoavat kuidut voivat päätyä työkalun sisään ja vaurioittaa työkalua.

## SÄILYTÄ NÄMÄ OHJEET.

**VAROITUS:** ÄLÄ anna työkalun helppokäyttöisyyden (toistuvan käytön aikaansaama) johtaa sinua väärään turvallisuuden tunteeseen niin, että laiminlyöt työkalun turvaohjeiden noudattamisen. VÄÄRINKÄYTTÖ tai tässä käyttöohjeessa ilmoitettujen turvamääräysten laiminlyönti voi aiheuttaa vakavia henkilövahinkoja.

### Akkupakettia koskevia tärkeitä turvaohjeita

1. Ennen akun käyttöönottoa tutustu kaikkiin laturissa (1), akussa (2) ja akkukäyttöisessä tuotteessa (3) oleviin varoitusteksteihin.
2. Älä pura tai peukaloi imuria akkupakettia. Se voi johtaa tulipaloon, ylikuumentumiseen tai räjähdykseen.
3. Jos akun toiminta-aika lyhenee merkittävästi, lopeta akun käyttö. Seurauksena voi olla ylikuumentuminen, palovammoja tai jopa räjähdys.
4. Jos akkuneustettua pääsee silmiin, huuhtelee puhtaalla vedellä ja hakeudu välittömästi lääkärin hoitoon. Akkuneuste voi aiheuttaa näön menetyksen.
5. Älä oikosulje akkua.
  - (1) Älä koske akun napoihin millään sähköä johtavalla materiaalilla.
  - (2) Vältä akun oikosulkemista äläkä säilytä akkua yhdessä muiden metalliesineiden, kuten nauhojen, kolikoiden ja niin edelleen kanssa.
  - (3) Älä aseta akkua alttiiksi vedelle tai sateelle.

6. Älä säilytä työkalua ja akkua paikassa, jossa lämpötila voi nousta 50 °C:een tai sitäkin korkeammaksi.
7. Älä hävitä akkua polttamalla, vaikka se olisi pahoin vaurioitunut tai täysin loppuun kulunut. Avotuli voi aiheuttaa akun räjähtämisen.
8. Älä naulaa, leikkaa, purista, heitä tai pudota akkupakettia tai iske sitä kovia esineitä vasten. Tällaiset toimet voivat johtaa tulipaloon, ylikuumentumiseen tai räjähdykseen.
9. Älä käytä viallista akkua.
10. Sisältyviä litium-ioni-akkuja koskevat vaarallisten aineiden lainsäädännön vaatimukset. Esimerkiksi kolmansien osapuolten huolintaliikkeiden tulee kaupallisissa kuljetuksissa noudattaa pakkaamista ja merkintöjä koskevia erityisvaatimuksia. Lähetettävän tuotteen valmistelu edellyttää vaarallisten aineiden asiantuntijan neuvontaa. Huomioi myös mahdollisesti yksityiskohtaisemmat kansalliset määräykset. Akun avoimet liittimet tulee suojata teipillä tai suojuksella ja pakkaaminen tulee tehdä niin, ettei akku voi liikkua pakkauksessa.
11. Kun akkupaketti on hävitettävä, poista se laitteesta ja hävitä se turvallisesti. Hävitä akku paikallisten määräysten mukaisesti.
12. Käytä akkuja vain Makitan ilmoittamien tuotteiden kanssa. Akkujen asentaminen yhteensopimattomiin tuotteisiin voi aiheuttaa tulipalon, liiallisen ylikuumentumisen, räjähdyksen tai akkuneustevuotoja.
13. Jos laitetta ei käytetä pitkään aikaan, akku on poistettava laitteesta.
14. Akkupaketin lämpötila voi käytön aikana ja sen jälkeen nousta niin kuumaksi, että se voi aiheuttaa palovammoja tai lieviä palovammoja. Käsittele kuumia akkupaketteja huolellisesti.
15. Älä kosketa työkalun liittimiä välittömästi käytön jälkeen, sillä se voi olla riittävän kuuma aiheuttamaan palovammoja.
16. Älä päästä lastuja, pölyä tai maata akkupaketin liittimiin, aukkoihin ja uriin. Se voi heikentää työkalun tai akkupaketin suorituskykyä tai johtaa niiden rikkoutumiseen.
17. Ellei työkalu tue käyttöä korkeajännitelinjojen lähellä, älä käytä akkupakettia korkeajännitelinjojen lähellä. Se voi johtaa työkalun tai akkupaketin toimintahäiriöön tai rikkoutumiseen.

## SÄILYTÄ NÄMÄ OHJEET.

**HUOMIO:** Käytä vain alkuperäisiä Makita-akkuja. Muiden kuin aitojen Makita-akkujen, tai mahdollisesti muutettujen akkujen käyttö voi johtaa akun murtumiseen ja aiheuttaa tulipaloja, henkilö- ja omaisuusvahinkoja. Se mitätöi myös Makita-työkalun ja -laturin Makita-takuun.

# Vihjeitä akun käyttöön pidentämiseksi

1. Lataa akku ennen kuin se purkautuu täysin. Lopeta aina työkalun käyttö ja lataa akku, jos huomaat työkalun tehon vähenevän.
2. Älä koskaan lataa uudestaan täysin ladattua akkua. Yliilataaminen lyhentää akun käyttöikää.
3. Lataa akku huoneen lämpötilassa välillä 10 °C - 40 °C. Anna kuumen akun jäähtyä ennen lataamista.
4. Irrota akkupaketti työkalusta tai laturista, kun sitä ei käytetä.
5. Lataa akkupaketti, jos et käytä sitä pitkään aikaan (yli kuusi kuukautta).

## TOIMINTOJEN KUVAUS

**⚠HUOMIO:** Varmista aina ennen säätöjä ja tarkastuksia, että työkalu on sammutettu ja akkupaketti irrotettu.

### Akun asentaminen tai irrottaminen

**⚠HUOMIO:** Sammuta työkalu aina ennen akun kiinnittämistä tai irrottamista.

**⚠HUOMIO:** Pidä työkalusta ja akusta tiukasti kiinni, kun irrotat tai kiinnität akkua. Jos akkupaketti tai työkalu putoaa, ne voivat vaurioitua tai aiheuttaa tapaturman.

- **Kuva1:** 1. Punainen merkkivalo 2. Painike 3. Akkupaketti

Irrota akku painamalla akun etupuolella olevaa painiketta ja vetämällä akku ulos työkalusta.

Akku liitetään sovittamalla akun kieleke rungon uraan ja työntämällä se sitten paikoilleen. Työnnä akku pohjaan asti niin, että kuulet sen napsahtavan paikoilleen. Jos painikkeen yläpuolella näkyy punainen ilmaisin, akku ei ole lukkiutunut täysin paikoilleen.

**⚠HUOMIO:** Työnnä akku aina pohjaan asti, niin että punainen ilmaisin ei enää näy. Jos akku ei ole kunnolla paikallaan, se voi pudota työkalusta ja aiheuttaa vammoja joko sinulle tai sivullisille.

**⚠HUOMIO:** Älä käytä voimaa akun asennuksessa. Jos akku ei liu'u paikalleen helposti, se on väärässä asennossa.

### Akun jäljellä olevan varaustason ilmaisin

Painamalla tarkistuspainiketta saat näkyviin akun jäljellä olevan varaustason. Merkkivalot palavat muutaman sekunnin ajan.

- **Kuva2:** 1. Merkkivalot 2. Tarkistuspainike

Merkkivalot			Akussa jäljellä olevan varaustason
Palaa	Pois päältä	Viikkuu	
			75% - 100%
			50% - 75%
			25% - 50%
			0% - 25%
			Lataa akku.
			Akussa on saattanut olla toimintahäiriö.

**HUOMAA:** Ilmoitettu varaustaso voi erota hieman todellisesta varaustasosta sen mukaan, millaisissa oloissa ja missä lämpötilassa laitetta käytetään.

### Työkalun/akun suojausjärjestelmä

Työkalu on varustettu työkalu/akun suojausjärjestelmällä. Tämä järjestelmä pidentää työkalun ja akun käyttöikää katkaisemalla automaattisesti moottorin virran. Työkalu pysähtyy automaattisesti kesken käytön, jos työkalussa tai akussa ilmenee jokin seuraavista tilanteista:

#### Ylikuormitussuoja

Kun työkalua/akkua käytetään tavalla, joka saa sen kuluttamaan epätavallisen suuren määrän virtaa, työkalu pysähtyy automaattisesti ilman mitään merkkivaloa tai ilmaisinta. Katkaise tässä tilanteessa työkalusta virta ja lopeta ylikuormitusilman aiheuttanut käyttö. Käynnistä sitten työkalu uudelleen kytkemällä siihen virta.

#### Ylikuumenemissuoja

Kun työkalu/akku ylikuumenee, työkalu pysähtyy automaattisesti. Anna työkalun jäähtyä, ennen kuin kytket sen uudelleen päälle.

#### Ylipurkautumissuoja

Kun akun varaus on riittämätön, työkalu pysähtyy automaattisesti. Irrota silloin akku työkalusta ja lataa se.

#### Suojalukituksen vapauttaminen

Jos suojausjärjestelmä aktivoituu toistuvasti, työkalu lukitaan.

Tässä tilassa työkalu ei käynnisty, vaikka sen virta katkaistaan ja kytketään. Voit vapauttaa suojalukituksen seuraavasti: irrota akku, aseta se akkulaturiin ja odota, että se latautuu kokonaan.

## Akselilukko

Kun kiinnität tai irrotat lisälaitteita, estä a pyörimästä painamalla lukitusta.

► **Kuva3:** 1. Akselilukko

**HUOMAUTUS:** Älä koskaan kytke lukkoa päälle n pyöriessä. Työkalu voi rikkoutua.

## Kytkimen käyttäminen

**▲HUOMIO:** Varmista ennen akun asentamista työkaluun, että kytkinvipu toimii oikein ja palautuu "OFF"-asentoon, kun se vapautetaan.

**▲HUOMIO:** Käyttäjän turvallisuuden vuoksi työkalussa on lukituksen vapautusvipu, joka estää sen käynnistämisen vahingossa. **ÄLÄ** koskaan käytä työkalua, jos se käynnistyy pelkästään kytkinvipua painamalla ilman, että lukituksen vapautusvipua käytetään. Toimita työkalu valtuutettuun huoltoon korjattavaksi **ENNEN KUIN** jatkat sen käyttöä.

**▲HUOMIO:** Älä vedä kytkinvivusta voimakkaasi, ellet samalla paina lukituksen vapautusvipua. Kytkin voi rikkoutua.

**▲HUOMIO:** **ÄLÄ** koskaan teippaa tai ohita lukitusvipua.

► **Kuva4:** 1. Lukituksen vapautusvipu 2. Kytkinvipu

Työkalussa on lukituksen vapautusvipu, joka estää kytkinvivun painamisen vahingossa.

Käynnistä työkalu vetämällä lukituksen vapautusvipua itseesi päin ja vetämällä sitten kytkinvipua.

Pysäytä työkalu vapauttamalla kytkinvipua.

## Vahinkokäynnistyksen estotoiminto

Vaikka kytkinvipua painettaisiin akkupaketin asennuksen aikana, työkalu ei käynnisty.

Kun haluat käynnistää työkalun, vapauta ensin kytkinvipu. Vedä sitten lukituksen vapautusvipua ja paina kytkinvipua.

## Elektroninen vääntömomentin ohjaustoiminto

Työkalu tunnistaa sähköisesti tilanteet, joissa laikka tai lisälaitte voi olla vaarassa juuttua. Silloin työkalu sammuu automaattisesti ja estää akselin pyörimisen (se ei estä takapotkua). Voit käynnistää työkalun uudelleen sammuttamalla sen ensin, poistamalla syyn äkilliseen pyörimisnopeuden laskuun ja käynnistämällä työkalun.

## Pehmeä käynnisty

Pehmeä käynnistystoiminto vaimentaa käynnistysnykäystä.

## Sähköjarru

**Vain mallissa GA011G/GA012G/GA013G**

Mekaaninen jarru aktivoituu työkalun virran katkeamisen jälkeen.

Jarru ei toimi, jos virtalähteen virta katkaistaan, esimerkiksi jos akku irrotetaan vahingossa, mutta laitteen virtakytkin on päällä.

## KOKOONPANO

**▲HUOMIO:** Varmista aina ennen säätöjä ja tarkastuksia, että työkalu on sammutettu ja akkupaketti irrotettu.

## Sivukahvan asentaminen (kahva)

**▲HUOMIO:** Varmista aina ennen käyttöä, että sivukahva on tukevasti paikoillaan.

Kiinnitä sivukahva koneeseen kuvan osoittamalla tavalla.

► **Kuva5**

## Laikan suojuksen asentaminen tai irrottaminen

**▲VAROITUS:** Jos käytössä on upotetulla navalla varustettu hiomalaikka, lamellilaikka, joustava laikka tai teräsharjalaikka, laikan suojuksen kiinnittävä työkaluun niin, että suojuksen umpinainen puoli tulee aina käyttäjää kohti.

**▲VAROITUS:** Varmista, että lukitusvipu on jossakin laikan suojuksen rei'istä ja pitää laikan suojuksen varmasti paikallaan.

**▲VAROITUS:** Varmista hiomakatkaisu-/timanttilaikkaa käyttäessäsi, että käytät ainoastaan katkaisulaikoille tarkoitettua erikoislaikansuojusta.

(Joissakin Euroopan maissa voidaan käyttää timanttilaikan kanssa tavallista suojusta. Noudata oman maasi määräyksiä.)

## Upotetulla navalla varustettu laikka, lamellilaikka, joustolaikka, teräsharjalaikka / hiova katkaisulaikka, timanttilaikka

1. Pidä lukitusvipu painettuna ja kiinnitä laikan suojuksen ulokkeet tulevat laakerikotelon lovien kohdalle.

► **Kuva6:** 1. Lukitusvipu 2. Lovi 3. Uloke

2. Paina lukitusvipua suuntaan A ja paina samalla laikan suojuksen pitämällä sitä painettuna kohdista B kuvan mukaisesti.

► **Kuva7:** 1. Laikan suojuksen 2. Reikä

**HUOMAA:** Paina laikan suojuksen suoraan alas. Muutoin laikan suojusta ei saa painettua täysin pohjaan asti.

3. Pidä lukitusvipu ja laikan suojuksen vaiheen 2 mukaisissa asennoissa, kierrä laikan suojusta suuntaan C ja vaihda sitten laikan suojuksen kulma tehtävälle työlle sopivaksi.

► **Kuva8:** 1. Laikan suojuksen 2. Reikä

**HUOMAA:** Paina laikan suojuksen kokonaan pohjaan. Muutoin laikan suojusta ei saa kierrettyä.

Irrota laikan suojuksen päivävästisessä järjestyksessä.

## Uputtulla navalla varustetun laikan tai lamellilaikan asentaminen ja irrottaminen

### Lisävaruste

**VAROITUS:** Jos käytössä on upotetulla navalla varustettu laikka tai lamellilaikka, laikan suojus on kiinnitettävä työkaluun niin, että suojuksen umpinainen puoli tulee aina käyttäjää kohti.

**HUOMIO:** Varmista, että sisälaipan asennusosa sopii upotetulla navalla varustetun laikan/lamellilaikan sisähalkaisijaan täydellisesti. Sisälaipan asentaminen väärälle puolelle saattaa aiheuttaa vaarallista tärinää.

Asenna sisälaippa karaan. Varmista, että sisälaipan upotettu kohta on vasten karan alaosan suoraa osaa. Sovita upotetulla navalla varustettu laikka/lamellilaikka sisälaipalle ja kierrä lukkomutteri karaan.

► **Kuva9:** 1. Lukkomutteri 2. Upotetulla navalla varustettu laikka 3. Sisälaippa 4. Asennusosa

Kiristä lukkomutteri painamalla akselilukkoa voimakkaasti niin, ettei kara pääse pyörimään, ja kiristä lukkomutteri sitten lukkomutterivaimella myötäpäivään kääntämällä.

► **Kuva10:** 1. Lukkomutterivain 2. Akselilukko  
Laikka irrotetaan päinvastaisessa järjestyksessä.

## Joustolaikan kiinnitys ja irrotus

### Lisävaruste

**VAROITUS:** Käytä aina mukana toimitettua suojusta, kun joustolaikka on kiinni työkalussa. Laikka voi hajota käytössä, joten suojus vähentää henkilövahingon riskiä.

► **Kuva11:** 1. Lukkomutteri 2. Joustolaikka  
3. Varatyyny 4. Sisälaippa

Noudata upotetulla navalla varustettua laikkaa koskevia ohjeita, mutta käytä lisäksi laikan päällä varatyynyä. Katso asennusjärjestys tämän ohjeen lisävarustesivulta.

## Hiomalaikan asentaminen tai irrottaminen

### Lisävaruste

**HUOMAA:** Käytä vain tässä ohjekirjassa määritettyjä hiomakoneita. Ne on ostettava erikseen.

### 100 mm malli

► **Kuva12:** 1. Hionnan lukkomutteri 2. Hiomalaikka  
3. Kumityyny 4. Sisälaippa

1. Asenna sisälaippa karaan.
2. Asenna kumityyny karaan.
3. Sovita laikka kumityynyyn ja kiinnitä hiomalaikan lukkomutteri karaan.

4. Pidätä karaa akselilukolla ja kiristä hiomalaikka lukkomutteria myötäpäivään lukkomutterivaimella.

Irrota laikka päinvastaisessa järjestyksessä.

### 115 mm / 125 mm malli

► **Kuva13:** 1. Hionnan lukkomutteri 2. Hiomalaikka  
3. Kumityyny

1. Asenna kumityyny karaan.
2. Sovita laikka kumityynyyn ja kiinnitä hiomalaikan lukkomutteri karaan.
3. Pidätä karaa akselilukolla ja kiristä hiomalaikan lukkomutteria myötäpäivään lukkomutterivaimella.

Irrota laikka päinvastaisessa järjestyksessä.

## Ezynutin asennus tai irrotus

### Lisävaruste

**HUOMIO:** Älä käytä Ezynutia superlaipan kanssa tai kulmahiomakoneissa, joiden mallinumeron lopussa on F-kirjain. Nämä laipat ovat niin paksuja, ettei karan koko kierrettä voi käyttää.

► **Kuva14:** 1. Ezynut 2. Hiomalaikka 3. Sisälaippa  
4. Kara

Kiinnitä sisälaippa, hiomalaikka ja Ezynut karaan niin, että Ezynutin Makita-logo näkyy ulospäin.

► **Kuva15:** 1. Karalukitus

Paina karalukkoa tiukasti ja kiristä Ezynut kiertämällä hiomalaikkaa myötäpäivään niin pitkälle kuin se menee. Voit löysätä kiinnityksen kiertämällä Ezynutin ulkokehää vastapäivään.

► **Kuva16:** 1. Nuoli 2. Lovi

► **Kuva17**

**HUOMAA:** Ezynut voidaan löysätä käsivoimin aina, kun nuoli on loven kohdalla. Muissa tapauksissa avaamiseen tarvitaan sakara-avainta. Sovita yksi avaimen sakara koloon ja kierrä Ezynutia vastapäivään.

## Hiovan katkaisulaikan/timanttilaikan asentaminen

### Lisävaruste

**VAROITUS:** Varmista hiomakatkaisu-/timanttilaikkaa käyttäessäsi, että käytät ainoastaan katkaisulaikoille tarkoitettua erikoislaikansuojusta.

(Joissakin Euroopan maissa voidaan käyttää timanttilaikan kanssa tavallista suojusta. Noudata oman maasi määräyksiä.)

**VAROITUS: ÄLÄ KOSKAAN käytä katkoloikkaa sivun hiontaan.**

► **Kuva18:** 1. Lukkomutteri 2. Hiova katkaisulaikka/timanttilaikka 3. Sisälaippa 4. Hiovan katkaisulaikan/timanttilaikan suojus

Noudata asennuksessa upotetulla navalla varustetun laikan ohjeita.

**Sisälaipan ja lukkomutterin kiinnityssuunta vaihtelee laikan tyyppiin ja paksuuden mukaan.**

Katso yksityiskohtia seuraavista kuvista.

## 100 mm malli

### Hiovan katkaisulaikan asennus:

- **Kuva19:** 1. Lukkomutteri 2. Hiova katkaisulaikka (ohuempi kuin 4 mm) 3. Hiova katkaisulaikka (4 mm tai paksumpi) 4. Sisälaippa

### Timanttilaikan asennus:

- **Kuva20:** 1. Lukkomutteri 2. Timanttilaikka (ohuempi kuin 4 mm) 3. Timanttilaikka (4 mm tai paksumpi) 4. Sisälaippa

## 115 mm / 125 mm malli

### Hiovan katkaisulaikan asennus:

- **Kuva21:** 1. Lukkomutteri 2. Hiova katkaisulaikka (ohuempi kuin 4 mm) 3. Hiova katkaisulaikka (4 mm tai paksumpi) 4. Sisälaippa

### Timanttilaikan asennus:

- **Kuva22:** 1. Lukkomutteri 2. Timanttilaikka (ohuempi kuin 4 mm) 3. Timanttilaikka (4 mm tai paksumpi) 4. Sisälaippa

## Teräskuppiharjan asentaminen

### Lisävaruste

**⚠️HUOMIO:** Älä käytä harjaa, jos se on vaurioitunut tai epätasapainossa. Vaurioituneen harjan käyttäminen voi aiheuttaa loukkaantumisvaaran katkenneiden harjasten takia.

- **Kuva23:** 1. Teräskuppiharja

Irrota akku työkalusta ja käännä työkalu ylösalaisin, jotta pääset hyvin käsiksi karaan. Poista karassa mahdollisesti olevat lisävarusteet. Kierrä teräskuppiharja karaan ja kiristä se työkalun mukana toimitettavalla avaimella.

## Teräsharjalaikan asentaminen

### Lisävaruste

**⚠️HUOMIO:** Älä käytä teräsharjalaikkaa, jos se on vaurioitunut tai epätasapainossa. Vaurioituneen teräsharjalaikan käyttäminen voi aiheuttaa loukkaantumisvaaran katkenneiden harjasten takia.

**⚠️HUOMIO:** Käytä teräsharjalaikan kanssa AINA suojusta. Varmista, että laikka mahtuu suojuksen sisäpuolelle. Laikka voi hajota käytössä, joten suojuksen vähentää henkilövahingon riskiä.

- **Kuva24:** 1. Teräsharjalaikka

Irrota akku työkalusta ja käännä työkalu ylösalaisin, jotta pääset hyvin käsiksi karaan. Poista karassa mahdollisesti olevat lisävarusteet. Kiinnitä teräsharjalaikka karaan ja kiristä se avaimella.

## TYÖSKENTELY

**⚠️VAROITUS:** Älä koskaan pakota konetta. Koneen oma paino riittää. Pakottaminen ja liiallinen painaminen voi aiheuttaa vaarallisen laikan rikkoutumisen.

**⚠️VAROITUS:** Vaihda laikka AINA, jos kone pääsee putoamaan hionnan aikana.

**⚠️VAROITUS:** ÄLÄ KOSKAAN iske tai kolhi laikkaa työkappaleeseen.

**⚠️VAROITUS:** Vältä laikan pomppimista ja jumittumista varsinkin silloin, kun työstät nurkkia, teräviä reunoja ja niin edelleen. Seurauksena voi olla hallinnan menetys ja takapotku.

**⚠️VAROITUS:** ÄLÄ KOSKAAN asenna koneeseen puun leikkaamiseen tarkoitettuja teriä tai muita sahanteriä. Kulmahiomakoneessa käytettynä nämä terät aiheuttavat usein takapotkun ja hallinnan menetyksen, jolloin seurauksena voi olla henkilövahinko.

**⚠️HUOMIO:** Älä koskaan käynnistä konetta, kun se koskettaa työkappaleeseen, koska tämä voi aiheuttaa käyttäjälle vammoja.

**⚠️HUOMIO:** Käytä aina suojalaseja tai kasvosuojusta käytön aikana.

**⚠️HUOMIO:** Käytön jälkeen katkaise koneesta aina virta ja odota, kunnes laikka on täysin pysähtynyt ennen kuin lasket koneen käsistä.

**⚠️HUOMIO:** Ota työkalusta AINA tukeva ote toisen käden ollessa rungossa ja toisen käden ollessa sivukahvassa (kahva).

## Hionta

- **Kuva25**

Käynnistä kone ja vie sitten laikka työkappaleeseen. Pidä yleisesti laikkaa noin 15°:een kulmassa työkalun pintaan nähden.

Kun ajat sisään uuttaa laikkaa, älä käytä hiomakonetta hioaksesi eteenpäin, koska tällöin laikka voi leikata työkappaleeseen. Sitten kun laikan reuna on pyöristynyt käytössä, konetta voidaan käyttää sekä eteenpäin että taaksepäin.



## Hiovan katkaisulaikan/timanttilaikan käyttäminen

### Lisävaruste

**VAROITUS:** Älä anna laikan juuttua kiinni tai työnnä sitä liiallisella voimalla. Älä yritä tehdä liian syvää uraa. Laikan liiallinen painaminen voi aiheuttaa laikan kiertymisen tai juuttumisen, takapotkun, laikan rikkoutumisen tai moottorin ylikuumenemisen.

**VAROITUS:** Älä aloita leikkaamista työkalu kiinni työstettävässä kappaleessa. Anna laikan saavuttaa täysi nopeus ja aseta se varovasti leikattavaan kohtaan työntämällä työkalua eteenpäin työstettävän kappaleen pinnan yli. Laikka saattaa juuttua, nousta ylös tai potkaista takaisin, jos työkalu käynnistetään kiinni työstettävässä kappaleessa.

**VAROITUS:** Leikkaustoiminnan aikana, älä koskaan vaihda laikan kulmaa. Jos sijoitat katkaisulaikkaan sivupainetta (kuten hiomisen aikana), se voi aiheuttaa laikan murtumisen ja katkeamisen, mikä voi aiheuttaa henkilövammaa.

**VAROITUS:** Timanttilaikkaa on pidettävä koh-tisuorassa leikattavaan materiaaliin nähden.

Käyttöesimerkki: hiovan katkaisulaikan käyttäminen

► Kuva26

Käyttöesimerkki: timanttilaikan käyttäminen

► Kuva27

## Teräskuppiharjan käyttö

### Lisävaruste

**HUOMIO:** Tarkista harjan toiminta käyttämällä työkalua ilman kuormitusta. Varmista, ettei kukaan ole harjan tiellä.

**HUOMAUTUS:** Vältä liiallista painamista, koska se voi aiheuttaa harjasten liiallista taipumista teräskuppiharjaa käytettäessä. Se voi aiheuttaa ennenaikaisen rikkoutumisen.

Käyttöesimerkki: teräskuppiharjan käyttäminen

► Kuva28

## Teräsharjalaikan käyttäminen

### Lisävaruste

**HUOMIO:** Tarkista teräsharjalaikan toiminta käyttämällä työkalua ilman kuormitusta. Varmista, ettei kukaan ole teräsharjalaikan tiellä.

**HUOMAUTUS:** Vältä liiallista painamista, koska se voi aiheuttaa harjasten liiallista taipumista harjalaikkaa käytettäessä. Se voi aiheuttaa ennenaikaisen rikkoutumisen.

Käyttöesimerkki: teräsharjalaikan käyttäminen

► Kuva29

## KUNNOSSAPITO

**HUOMIO:** Varmista aina ennen tarkastusta tai huoltoa, että työkalu on sammutettu ja akku irrotettu.

**HUOMAUTUS:** Älä koskaan käytä bensiiniä, ohenteita, alkoholia tai tms. aineita. Muutoin pinta voi halkeilla tai sen värit ja muoto voivat muuttua. Muutoin laitteeseen voi tulla värjäytyymiä, muodon vääristymiä tai halkeamia.

Koneen TURVALLISUUDEN ja LUOTETTAVUUDEN säilyttämiseksi korjaukset sekä muut huoltotoimet ja säädöt on jätettävä Makitan valtuuttaman huollon tehtäväksi käyttäen aina Makitan alkuperäisiä varaosia.

## Ilma-aukkojen puhdistaminen

Kone ja sen ilma-aukot on pidettävä puhtaina. Puhdista koneen ilma-aukot säännöllisesti tai aina kun ne alkavat tukkeutua.

► **Kuva30:** 1. Ilman poistoaukko 2. Ilman tuloaukko

Varmista ilman tasainen kierto irrottamalla pölysuojus ilmanottoaukosta ja puhdistamalla se.

► **Kuva31:** 1. Pölysuojus

**HUOMAUTUS:** Puhdista pölysuojus, jos se on vierasaineiden tukkima. Työn jatkaminen tukkeutunutta pölysuojusta käyttäen voi vaurioittaa työkalua.

# LISÄVARUSTEET

**⚠HUOMIO:** Seuraavia lisävarusteita tai laitteita suositellaan käytettäväksi tässä ohjeessa kuvatun **Makita-työkalun kanssa**. Muiden lisävarusteiden tai laitteiden käyttö voi aiheuttaa henkilövahinkoja. Käytä lisävarusteita ja -laitteita vain niiden käyttötarkoituksen mukaisesti.

Jos tarvitset apua tai yksityiskohtaisempia tietoja seuraavista lisävarusteista, ota yhteys paikalliseen Makitan huoltoon.

- Aito Makitan akku ja laturi

► **Kuva32**

-	100 mm malli	115 mm malli	125 mm malli
1		Kahva 36	
2	Laikan suojus (hiomalaikalle)		
3	Sisälaippa		
4	Upotetulla navalla varustettu laikka / lamellilaikka		
5	Lukkomutteri		
6	Varatyyny		
7	Joustolaikka		
8	Sisempi laippa ja kumityyny 76	Kumityyny 100	Kumityyny 115
9	Hiomalaikka		
10	Hionnan lukkomutteri		
11	Teräsharjalaikka		
12	Teräskuppiharja		
13	Laikan suojus (katkaisulaikalle) *1		
14	Hiova katkaisulaikka / timanttilaikka		
-	Lukkomutteriavain		

**HUOMAA:** \*1 Joissakin Euroopan maissa timanttilaikkaa käytettäessä voidaan käyttää tavallista suojusta molemmat puolet peittävän erikoislaikan sijaan. Noudata oman maasi määräyksiä.

**HUOMAA:** Jotkin luettelossa mainitut varusteet voivat sisältyä työkalun toimitukseen vakiovarusteina. Ne voivat vaihdella maittain.

## SPECIFIKATIONER

Model:	GA011G	GA012G	GA013G	GA014G	GA015G	GA016G
Skivediameter	100 mm (4")	115 mm (4-1/2")	125 mm (5")	100 mm (4")	115 mm (4-1/2")	125 mm (5")
Maks. skivetykkelse	6,4 mm	7,2 mm		6,4 mm	7,2 mm	
Spindelgevind	M10	M14 eller 5/8" (landespecifik)		M10	M14 eller 5/8" (landespecifik)	
Nominal hastighed (n)	8.500 min <sup>-1</sup>					
Samlet længde	med BL4025		398 mm			
	med BL4040		410 mm			
Nettovægt	2,8 - 3,4 kg	3,0 - 3,6 kg		2,8 - 3,3 kg	2,9 - 3,5 kg	2,9 - 3,6 kg
Mærkespænding	D.C. 36 V - 40 V maks.					

- På grund af vores kontinuerlige forsknings- og udviklingsprogrammer kan hosstående specifikationer blive ændret uden varsel.
- Specifikationer kan variere fra land til land.
- Vægten kan være anderledes afhængigt af tilbehøret, inklusive akkuen. Den letteste og tungeste kombination i henhold til EPTA-procedure 01/2014 er vist i tabellen.

## Anvendelig akku og oplader

Akku	BL4025 / BL4040
Oplader	DC40RA

- Nogle af de akkuer og opladere, der er angivet ovenfor, er muligvis ikke tilgængelige, afhængigt af hvilket område du bor i.

**⚠ ADVARSEL:** Brug kun de akkuer og opladere, der er angivet ovenfor. Brug af andre akkuer og opladere kan medføre personskade og/eller brand.

## Tilslået anvendelse

Denne maskine er beregnet til afslibning, sandslibning og skæring i metal- og stenmaterialer uden anvendelse af vand.

## Støj

Det typiske A-vægtede støjniveau bestemt i overensstemmelse med EN60745-2-3:

Model	Lydtrykniveau (L <sub>pa</sub> ): (dB (A))	Lydeffektniveau (L <sub>wa</sub> ): (dB (A))	Usikkerhed (K): (dB (A))
GA011G	81	92	3
GA012G	81	92	3
GA013G	82	93	3
GA014G	81	92	3
GA015G	81	92	3
GA016G	82	93	3

**BEMÆRK:** De(n) angivne støjemissionsværdi(er) er målt i overensstemmelse med en standardtestmetode og kan anvendes til at sammenligne en maskine med en anden.

**BEMÆRK:** De(n) angivne støjemissionsværdi(er) kan også anvendes i en præliminær eksponeringsvurdering.

**⚠ ADVARSEL:** Bær høreværn.

**⚠ ADVARSEL:** Støjemissionen under den faktiske anvendelse af maskinen kan være forskellig fra de(n) angivne værdi(er), afhængigt af den måde hvorpå maskinen anvendes, især den type arbejdsemne der behandles.

**⚠ ADVARSEL:** Sørg for at identificere de sikkerhedsforskrifter til beskyttelse af operatøren, som er baseret på en vurdering af eksponering under de faktiske brugsforhold (med hensyntagen til alle dele i brugsklykken, f.eks. de gange, hvor maskinen er slukket, og når den kører i tomgang i tilgift til afbrydertiden).

Vibrationens totalværdi (tre-aksial vektorsum) bestemt i overensstemmelse med EN60745-2-3:

## Funktionstilstand: overfladeslibning med normalt sidehåndtag

Model	Vibrationsafgivelse ( $a_{hr, Aeq}$ ): ( $m/s^2$ )	Usikkerhed (K): ( $m/s^2$ )
GA011G	4,5	1,5
GA012G	5,0	1,5
GA013G	6,0	1,5
GA014G	4,5	1,5
GA015G	5,0	1,5
GA016G	6,0	1,5

## Funktionstilstand: overfladeslibning med anti-vibrations-sidehåndtag

Model	Vibrationsafgivelse ( $a_{hr, Aeq}$ ): ( $m/s^2$ )	Usikkerhed (K): ( $m/s^2$ )
GA011G	4,5	1,5
GA012G	5,0	1,5
GA013G	6,5	1,5
GA014G	4,5	1,5
GA015G	5,0	1,5
GA016G	6,5	1,5

## Funktionstilstand: disksandslibning med normalt sidehåndtag

Model	Vibrationsafgivelse ( $a_{hr, Aeq}$ ): ( $m/s^2$ )	Usikkerhed (K): ( $m/s^2$ )
GA011G	2,5 $m/s^2$ eller mindre	1,5
GA012G	2,5	1,5
GA013G	3,0	1,5
GA014G	2,5 $m/s^2$ eller mindre	1,5
GA015G	2,5	1,5
GA016G	3,0	1,5

## Funktionstilstand: disksandslibning med anti-vibrations-sidehåndtag

Model	Vibrationsafgivelse ( $a_{hr, Aeq}$ ): ( $m/s^2$ )	Usikkerhed (K): ( $m/s^2$ )
GA011G	2,5 $m/s^2$ eller mindre	1,5
GA012G	2,5	1,5
GA013G	3,0	1,5
GA014G	2,5 $m/s^2$ eller mindre	1,5
GA015G	2,5	1,5
GA016G	3,0	1,5

**BEMÆRK:** De(n) angivne totalværdi(er) for vibration er målt i overensstemmelse med en standardtestmetode og kan anvendes til at sammenligne en maskine med en anden.

**BEMÆRK:** De(n) angivne totalværdi(er) for vibration kan også anvendes i en præliminær eksponeringsvurdering.

**⚠ ADVARSEL:** Vibrationsemissionen under den faktiske anvendelse af maskinen kan være forskellig fra de(n) angivne værdi(er), afhængigt af den måde hvorpå maskinen anvendes, især den type arbejdsemne der behandles.

**⚠ ADVARSEL:** Sørg for at identificere de sikkerhedsforskrifter til beskyttelse af operatøren, som er baseret på en vurdering af eksponering under de faktiske brugsforhold (med hensyntagen til alle dele i brugscyklussen, f.eks. de gange, hvor maskinen er slukket, og når den kører i tomgang i tilgift til afbyrdtiden).

**⚠ ADVARSEL:** Den erklærede værdi for vibrationsemission gælder for el-værktøjets primære anvendelser. Hvis el-værktøjet imidlertid anvendes til andre formål, kan værdien for vibrationsemission være anderledes.

## EF-overensstemmelseserklæring

### Kun for lande i Europa

EF-overensstemmelseserklæringen er inkluderet som Bilag A i denne brugsanvisning.

## SIKKERHEDSADVARSLER

### Almindelige sikkerhedsregler for el-værktøj

**⚠ ADVARSEL:** Læs alle de sikkerhedsadvarsler, instruktioner, illustrationer og specifikationer, der følger med denne maskine. Forsømmelse af at overholde alle nedenstående instruktioner kan medføre elektrisk stød, brand og/eller alvorlig personskade.

### Gem alle advarsler og instruktioner til fremtidig reference.

Ordet "el-værktøj" i advarselne henviser til det netforsynede (netledende) el-værktøj eller batteriforsynede (akku) el-værktøj.

### Sikkerhedsadvarsler for ledningsfri vinkelsliber

Almindelige sikkerhedsadvarsler for arbejde med slibning, slibning med sandpapir, trådbørstning eller slibende afskæring:

1. Denne maskine er beregnet til at fungere som en sliber, slibemaskine med sandpapir, trådbørste eller afskæringsværktøj. Læs alle de sikkerhedsadvarsler, instruktioner, illustrationer og specifikationer, som følger med denne maskine. Forsømmelse af at følge alle instruktionerne herunder kan resultere i elektrisk stød, brand og/eller alvorlig tilskadekomst.
2. Det anbefales ikke at udføre operationer som for eksempel polering med denne maskine. Anvendelse, som maskinen ikke er beregnet til, kan være farligt og føre til personskade.
3. Anvend ikke tilbehør, som ikke er specifikt lavet og anbefalet af maskinens fabrikant. Den omstændighed, at tilbehøret kan monteres på din maskine, er ingen garanti for, at anvendelsen bliver sikkerhedsmæssig forsvarlig.
4. Tilbehørets nominelle hastighed skal være beregnet til mindst den samme som den maksimale hastighed, som er anført på maskinen. Tilbehør, som kører med en større hastighed end deres nominelle hastighed, kan brække og slynges af.
5. Tilbehørets ydre diameter og tykkelse skal være inden for din maskines kapacitetsrating. Tilbehør med en for stort størrelse kan ikke beskyttes eller styres tilstrækkeligt.
6. Gevindmontering af tilbehør skal passe til maskinens spindelgevind. For tilbehør, som monteres med flanger, skal dornhullet på tilbehøret passe til lokaliseringsdiametere på flangen. Tilbehør, som ikke passer til maskinens monteringsdele, vil miste balancen, vibrere ekstremt og kan føre til tab af kontrol.

7. Anvend ikke beskadede tilbehør. Inspicer altid tilbehøret inden brugen, som for eksempel slibeskiver, for skår og revner, bagskiven for revner, slitage eller ekstrem nedslidning, trådbørsten for løse eller revnede træde. Hvis maskinen eller tilbehøret tabes, skal de efterses for skade, eller en ubeskadiget tilbehørsdel skal monteres. Efter inspektion og montering af tilbehør, skal De og omkringstående stå på god afstand af det roterende tilbehørs flade, og maskinen skal køres på højeste, ubelastede hastighed i et minut. Beskadiget tilbehør vil normalt brække under prøvetiden.
8. Anvend personligt beskyttelsesudstyr. Afhængigt af brugen skal der anvendes ansigtsskærm, beskyttelsesbriller eller sikkerhedsbriller. Anvend, alt efter forholdene, støvmaske, høreværn, handsker og forklæde, som kan stoppe små slibningsstykker eller fragmenter fra arbejdsemnet. Øjenbeskyttelsen skal kunne stoppe afslængede stykker, som er frembragt af forskelligt arbejde. Støvmasken og respiratoren skal være i stand til at frafiltrere partikler, som er frembragt af arbejdet. Længere tids udsættelse for støj af høj intensitet kan medføre høretab.
9. Hold tilskuere på god afstand af arbejdsområdet. Enhver person, som befinder sig i arbejdsområdet, skal bære personligt beskyttelsesudstyr. Fragmenter fra arbejdsemner eller fra brækket tilbehør kan blive slynget af og være årsag til tilskadekomst, også uden for det umiddelbare arbejdsområde.
10. Hold kun maskinen i dens isolerede gribe-flader, når du udfører et stykke arbejde, hvor skæremaskinen kan komme i berøring med skjulte ledninger. Kontakt med en strømførende ledning vil bevirke, at blottede metaldele på maskinen også bliver strømførende, hvorved operatøren kan få stød.
11. Læg aldrig maskinen fra Dem, før tilbehøret er stoppet fuldstændigt. Det roterende tilbehør kan gribe fat i overfladen, hvilket kan bevirke, at De mister herredømmet over maskinen.
12. Lad ikke maskinen køre, mens De bærer den ved siden. Utilsigtet kontakt med det roterende tilbehør kan gribe fat i tøjet og derved trække tilbehøret ind mod kroppen.
13. Rengør maskinens ventilationsåbninger med jævne mellemrum. Motorens vifte vil trække støv ind i huset, og en kraftig ophobning af metalstøv kan skabe elektrisk fare.
14. Anvend ikke maskinen i nærheden af brændbare materialer. Disse materialer kan blive antændt af gnister.
15. Anvend ikke tilbehør, der kræver kølevæske. Anvendelse af vand eller anden kølevæske kan resultere i dødelige stød eller elektriske stød.

### Tilbageslag og relaterede advarsler

Tilbageslag er en pludselig reaktion på en fastklemt eller blokeret roterende skive, bagskive, børste eller andet tilbehør. En fastklemt eller blokeret del forårsager hurtig standsning af det roterende tilbehør, som derved bliver årsag til, at den ukontrollerede maskine bliver tvunget i den modsatte retning af tilbehørets rotation ved punktet for bindingen.

Hvis for eksempel en slibeskive er blokeret eller fastklemt af arbejdsømet, kan kanten på skiven, som går ind i fastklemningspunktet, grave sig ind i materialets overflade og derved bevirke, at skiven kommer ud eller presses ud. Skiven kan enten slynges mod eller bort fra operatøren, afhængigt af skivens bevægelse på fastklemningspunktet. Slibeskiver kan også brække under disse forhold.

Tilbageslag er resultatet af misbrug af maskinen og/eller fejlagtig anvendelse eller forkerte brugsforhold og kan undgås ved at man tager de rigtige forholdsregler som vist herunder.

1. **Hold godt fast i maskinen og hold kroppen og armen således, at De kan modvirke tilbageslagskraften.** Anvend altid hjælpehåndtaget, hvis et sådant medfølger, til at opnå maksimal kontrol af tilbageslag og drejningsmomentreaktion under starten. Operatøren kan kontrollere drejningsmomentreaktion eller tilbageslagskraft, hvis de rigtige forholdsregler tages.
2. **Anbring aldrig hænderne i nærheden af det roterende tilbehør.** De risikerer at få hånden ind i tilbageslagets bane.
3. **Stil Dem ikke i det område, hvor maskinen vil bevæge sig, hvis der opstår tilbageslag.** Tilbageslag vil slynge maskinen i den modsatte retning af skivens omdrejning på blokeringspunktet.
4. **Vær særlig omhyggelig, når De arbejder på hjørner, skarpe kanter osv.** Undgå at bumpe eller blokere tilbehøret. Hjørner, skarpe kanter eller bumpen har tendens til at blokere det roterende tilbehør og forårsage tab af kontrol eller tilbageslag.
5. **Monter ikke en savkæde, træskæreklinge eller en savklinge med tænder.** Sådanne klinger giver hyppige tilbageslag og tab af kontrol.

#### Særlige sikkerhedsadvarsler for arbejde med slibning og afskæring:

1. **Anvend kun skivetyper, som anbefales til din maskine og den specielle beskyttelsesskærm, som er beregnet til den valgte skive.** Skiver, for hvilke maskinen ikke er beregnet, kan ikke afskærmes tilstrækkeligt og er ikke sikkerheds-mæssigt forsvarlige.
2. **Slibefluden på forsænkede centerskiver skal monteres under beskyttelsesskærkantens flade.** En forkert monteret skive, som stikker ud fra beskyttelsesskærkantens flade, kan ikke beskyttes tilstrækkeligt.
3. **Beskyttelsesskærmen skal være ordentligt monteret på maskinen og placeret, så den optimale sikkerhed opnås, således at mindst muligt af skiven vender mod operatøren.** Beskyttelsesskærmen bidrager til at beskytte operatøren mod afbrækkede skivefragmenter og utilsigtet kontakt med skiven og gnister, der kan antænde tøjet.
4. **Skiver må kun anvendes til de anbefalede opgaver.** For eksempel: slib ikke med siden af en afskæringsskive. Slibende afskæringsskiver er beregnet til periferisk slibning. Hvis disse skiver udsættes for sidetryk, kan resultatet blive, at de brækker.

5. **Anvend altid ubeskidede skiveflanger, som har den rigtige størrelse og form til den valgte skive.** Rigtige skiveflanger støtter skiven, hvorved risikoen for skivebrud nedsættes. Flanger til afskæringsskiver kan være anderledes end slibeskiveflanger.
6. **Anvend ikke nedslidte skiver fra større maskiner.** Skiver, som er beregnet til større maskiner, er ikke egnede til en mindre maskines højere hastighed og kan brække.

#### Supplerende sikkerhedsadvarsler for arbejde med slibende afskæring:

1. **Vær påpasselig med ikke at "klemme" afskæringsskiven fast eller udsætte den for et ekstremt tryk.** Forsøg ikke at lave et snit af ekstrem dybde. Et for stort pres på skiven vil øge belastningen og risikoen for at skiven vrider eller binder i snittet med risikoen for tilbageslag eller brud på skiven til følge.
2. **Stå ikke på linje med eller bag den roterende skive.** Når skiven under anvendelse drejer bort fra Dem, kan et muligt tilbageslag bevirke, at den roterende skive og maskinen slynges direkte mod Dem.
3. **Hvis skiven binder eller hvis en skæring af en eller anden årsag afbrydes, skal De slukke for maskinen og holde den ubevægelig, indtil skiven er holdt helt op med at dreje.** Forsøg aldrig at fjerne afskæringsskiven fra snittet, mens skiven er i bevægelse, da dette kan føre til tilbageslag. Undersøg problemet og tag de rigtige forholdsregler for at eliminere årsagen til at skiven binder.
4. **Lad være med at starte skæringen i arbejdsømet.** Lad skiven komme op på fuld hastighed og gå derefter forsigtigt ind i snittet igen. Skiven kan binde, presses op eller give tilbageslag, hvis maskinen startes igen i arbejdsømet.
5. **Understøt paneler eller alle arbejdsømmen i overstørrelse for at minimere risikoen for fastklemning af skiven og tilbageslag.** Store arbejdsømmen har tendens til at synke sammen under deres egen vægt. Der skal anbringes støtteanordninger under arbejdsømet i nærheden af snitlinjen og nær kanten på arbejdsstykket på begge sider af skiven.
6. **Vær ekstra forsigtig, når De laver et "lomme-snit" i eksisterende vægge eller andre blinde områder.** Den fremspringende skive kan komme til at skære i gas- og vandrør, elektriske ledninger eller genstande, som kan forårsage tilbageslag.

#### Særlige sikkerhedsadvarsler for slibning med sandpapir:

1. **Anvend ikke sandpapir af overstørrelse.** Følg fabrikantens anbefalinger, når De vælger sandpapir. Større sandpapir, som går ud over sandpapirskiven, udgør en fare for sønderrivelse og kan medføre blokering og beskadigelse af skiven eller være årsag til tilbageslag.

#### Særlige sikkerhedsadvarsler for trådbørstning:

1. **Vær opmærksom på, at trådbørstehårene afstødes fra børsten selv under almindelig anvendelse.** Udsæt ikke trådbørstehårene for et for stort tryk ved at trykke for kraftigt på børsten. Trådbørstehårene kan nemt gennemtrænge tynde klæder og/eller huden.

2. Hvis anvendelse af beskyttelsesskærm ved trådbørstning anbefales, må man ikke tillade interferens af trådskiven eller børsten med beskyttelsesskærmen. Trådskiven eller børsten kan udvide sig i diameter på grund af arbejdsbelastningen og centrifugalkraften.

#### Supplerende sikkerhedsadvarsler:

1. Hvis der anvendes forsænkede centerskiver, skal man sørge for kun at anvende fiberglasforstærkede skiver.
2. ANVEND ALDRIG skiver af stenkop-typen med denne sliber. Denne sliber er ikke beregnet til disse typer skiver, og anvendelse af et sådant produkt kan resultere i alvorlig tilskadekomst.
3. Vær påpasselig med ikke at komme til at beskadige spindlen, flangen (specielt monteringsfladen) eller låsemøtrikken. Beskadigelse af disse dele kan resultere i, at skiven brækker.
4. Sørg for, at skiven ikke er i berøring med arbejdsnettet, inden De tænder for maskinen med afbryderen.
5. Inden De begynder at anvende maskinen på et rigtigt arbejdsområde, skal De lade den køre i et stykke tid. Vær opmærksom på vibrationer eller slør, som kan være tegn på dårlig montage eller en forkert afbalanceret skive.
6. Anvend den specificerede overflade på skiven til at udføre slibningen.
7. Læg ikke maskinen fra Dem, mens den stadig kører. Anvend kun maskinen som håndværktøj.
8. Berør ikke arbejdsområdet lige efter at arbejdet er udført. Det kan blive meget varmt og være årsag til forbrændinger.
9. Overhold altid fabrikantens instruktioner for korrekt montering og anvendelse af skiver. Behandl og opbevar skiver med forsigtighed.
10. Anvend ikke separate reduktionsbøsninger eller adaptorer til at tilpasse slibeskiver med store centerhuller til maskinen.
11. Anvend kun de specificerede flanger til denne maskine.
12. Ved anvendelse af maskiner, der er beregnet til montering af slibeskiver med gevindforsynet hul, skal det altid sikres, at gevindet i skiven er langt nok i forhold til spindel længden.
13. Kontrollér at emnet er korrekt understøttet.
14. Forsigtig! Skiven fortsætter med at rotere, efter at der slukket for maskinen.
15. Hvis arbejdsstedet er ekstremt varmt eller fugtigt, eller slemt tilnavset med ledende støv, bør der anvendes kortslutningsafbryder (30 mA) for at garantere sikkerheden under arbejdet.
16. Anvend aldrig maskinen på materialer, der indeholder asbest.
17. Anvend altid den støvsamlende beskyttelsesskærm, som er påkrævet ifølge de lokale regler, når afskærmingskiven anvendes.
18. Skæreskiver må ikke udsættes for tryk fra siden.

19. Anvend ikke stofhandsker under brugen. Fibre fra stofhandsker kan muligvis trænge ind i maskinen, hvilket forvolder skade på maskinen.

## GEM DISSE FORSKRIFTER.

**ADVARSEL:** LAD IKKE bekvemmelighed eller kendskab til produktet (opnået gennem gentagen brug) forhindre, at sikkerhedsforskrifterne for produktet nøje overholdes. MISBRUG eller forsømmelse af at følge de i denne brugsvejledning givne sikkerhedsforskrifter kan medføre alvorlig personskade.

### Vigtige sikkerhedsinstruktioner for akkuen

1. Læs alle instruktioner og advarselmærkater på (1) akku-opladeren, (2) akkuen og (3) produktet, som anvender akku.
2. Adskil eller ændr ikke akkuen. Det kan muligvis resultere i en brand, overdreven varme eller eksplosion.
3. Hold straks op med anvendelsen, hvis brugstiden er blevet stærkt afkortet. Fortsat anvendelse kan resultere i risiko for overophedning, forbrændinger og endog eksplosion.
4. Hvis De har fået elektrolytvæske i øjnene, skal De straks skylle den ud med rent vand og derefter øjeblikkeligt søge lægehjælp. I modsat fald kan De miste synet.
5. Vær påpasselig med ikke at komme til at kortslutte akkuen:
  - (1) Rør ikke ved terminalerne med noget ledende materiale.
  - (2) Undgå at opbevare akkuen i en beholder sammen med andre genstande af metal, for eksempel søm, mønter og lignende.
  - (3) Udsæt ikke akkuen for vand eller regn. Kortslutning af akkuen kan forårsage en kraftig øgning af strømmen, overophedning, mulige forbrændinger og endog værktøjstop.
6. Opbevar ikke værktøjet og akkuen på et sted, hvor temperaturen kan nå eller overstige 50 °C.
7. Lad være med at brænde akkuen, selv ikke i tilfælde, hvor den har lidt alvorlig skade eller er fuldstændig udtjent. Akkuen kan eksplodere, hvis man forsøger at brænde den.
8. Slå ikke søm i, skær ikke i, knus, kast, tab ikke akkuen og stød ikke akkuen mod en hård genstand. Sådant adfærd kan muligvis resultere i en brand, overdreven varme eller eksplosion.
9. Anvend ikke en beskadiget akku.
10. De indbyggede lithium-ion-batterier er underlagt lovkrav vedrørende farligt gods. Ved kommerciel transport, f.eks. af tredjeparts transportelskaber, skal særlige krav til forpakning og mærkning overholdes. Ved forberedelse af udstyret til forsendelse skal du kontakte en ekspert i farligt gods. Overhold også eventuel mere detaljeret national lovgivning. Tape eller tildæk åbne kontakter, og pak batteriet på en måde, så det ikke kan flytte sig rundt i pakningen.

- Når akkuen bortskaftes, skal du fjerne den fra maskinen og bortskaft den på et sikkert sted. Følg de lokale love vedrørende bortskaftelsen af batterier.
- Brug kun batterierne med de produkter, som Makita specificerer. Hvis batterierne installeres i ikke-kompatible produkter, kan det medføre brand, kraftig varme, eksplosion eller udsivning af elektrolyt.
- Hvis maskinen ikke skal bruges i længere tid ad gangen, skal du fjerne batteriet fra maskinen.
- Akkuen kan muligvis under og efter brug være varm, hvilket kan forårsage forbrændinger eller lavtemperaturforbrændinger. Vær påpasselig med håndtering af varme akkuer.
- Rør ikke terminalen på maskinen straks efter brug, da den bliver varm nok til at forårsage forbrændinger.
- Sørg for at spåner, støv eller jord ikke sætter sig fast inde i terminalerne, hullerne og rillerne på akkuen. Det kan muligvis medføre dårlig ydelse eller nedbrud af maskinen eller akkuen.
- Medmindre maskinen understøtter brugen i nærheden af elektriske højspændingsledninger, skal du ikke anvende akkuen i nærheden af elektriske højspændingsledninger. Det kan muligvis medføre funktionsfejl på eller nedbrud af maskinen eller akkuen.

## GEM DENNE BRUGSANVISNING.

**⚠️ FORSİGTİG: Brug kun originale batterier fra Makita.** Brug af uoriginale Makita-batterier, eller batterier som er blevet ændret, kan muligvis medføre brud på batteriet, hvilket kan forårsage brand, personskade eller beskadigelse. Det ugyldiggør også Makita-garantien for Makita-maskinen og opladeren.

## Tips til opnåelse af maksimal akku-levetid

- Oplad akkuen, inden den er helt afladet. Stop altid værktøjet, og oplad akkuen, hvis De bemærker, at værktøjeffekten er aftagende.
- Genoplad aldrig en fuldt opladet akku. Overopladning vil afkorte akkuens levetid.
- Oplad akkuen ved stuetemperatur ved 10 °C - 40 °C. Lad altid en varm akku få tid til at køle af, inden den oplades.
- Når du ikke anvender akkuen, skal du fjerne den fra maskinen eller opladeren.
- Oplad akkuen, hvis De ikke skal bruge den i længere tid (mere end seks måneder).

## FUNKTIONSBESKRIVELSE

**⚠️ FORSİGTİG: Sørg altid for at maskinen er slukket, og at akkuen er taget ud, før der udføres justering eller kontrol af funktioner på maskinen.**

### Isætning eller fjernelse af akkuen

**⚠️ FORSİGTİG: Sluk altid for værktøjet, før De monterer eller fjerner akkuen.**

**⚠️ FORSİGTİG: Hold værktøjet og akkuen fast ved montering eller fjernelse af akkuen.** Hvis De ikke holder værktøjet og akkuen fast, kan de glide ud af hænderne på Dem og forårsage beskadigelse af værktøjet og akkuen eller personskade.

► Fig.1: 1. Rød indikator 2. Knap 3. Akku

Akkuen fjernes ved, at De trækker den ud af værktøjet, idet De skyder knappen på forsiden af akkuen i stilling.

Akkuen monteres ved, at De sætter tungen på akkuen ud for noten i kabinettet og lader den glide på plads. Sæt den hele vejen ind, så den låses på plads med et lille klik. Hvis den røde indikator på oversiden af knappen er synlig, betyder det, at den ikke er tilstrækkeligt låst.

**⚠️ FORSİGTİG: Monter altid akkuen helt, indtil den røde indikator ikke længere er synlig.** Hvis dette ikke gøres, kan den falde ud af værktøjet ved et uheld, hvorved De selv eller personer i nærheden kan komme til skade.

**⚠️ FORSİGTİG: Brug ikke magt ved montering af akkuen.** Hvis akkuen ikke glider på plads uden problemer, betyder det, at den ikke sættes i på korrekt vis.

### Indikation af den resterende batteriladning

Tryk på kontrolknappen på akkuen for at få vist den resterende batteriladning. Indikatorlamper lyser i nogle sekunder.

► Fig.2: 1. Indikatorlamper 2. Kontrolknap

Indikatorlamper			Resterende ladning
Tændt	Slukket	Blinker	
■ ■ ■ ■	□ □ □ □	▬	75% til 100%
■ ■ ■ □	□ □ □ □	□	50% til 75%
■ ■ □ □	□ □ □ □	□ □	25% til 50%
■ □ □ □	□ □ □ □	□ □ □	0% til 25%
▬ □ □ □	□ □ □ □	□ □ □ □	Genoplad batteriet.
■ ■ □ □	□ □ □ □	□ □ □ □	Der er muligvis fejl i batteriet.

**BEMÆRK:** Afhængigt af brugsforholdene og den omgivende temperatur kan indikationen afvige en smule fra den faktiske ladning.



## Beskyttelsessystem til værktøj/batteri

Maskinen er udstyret med et beskyttelsessystem til maskinen/batteriet. Dette system afbryder automatisk strømmen til motoren for at forlænge maskinens og batteriets levetid. Maskinen stopper automatisk under brugen, hvis maskinen eller batteriet udsættes for et af følgende forhold:

### Overbelastningsbeskyttelse

Hvis maskinen/batteriet bruges på en måde, der får den til at trække en unormalt høj strøm, stopper maskinen automatisk uden indikation. Sluk i så fald for maskinen, og stop den anvendelse, der medførte overbelastningen af maskinen. Tænd derefter for maskinen for at starte igen.

### Beskyttelse mod overophedning

Hvis maskinen/batteriet er overophedet, stopper maskinen automatisk. Lad maskinen køle af, inden du tænder for maskinen igen.

### Beskyttelse mod overafledning

Når batteriladningen er utilstrækkelig, stopper maskinen automatisk. Tag i så fald akkuen ud af maskinen, og oplad akkuen.

### Frigørelse af beskyttelseslåsen

Når beskyttelsessystemet aktiveres gentagne gange, låses maskinen.

I så fald starter maskinen ikke, selv om der tændes og slukkes for maskinen. For at frigøre beskyttelseslåsen skal du fjerne akkuen, sætte den i batteriopladeren og vente, indtil opladningen er fuldført.

### Aksellås

Tryk på aksellåsen for at forhindre, at spindlen roterer, når tilbehør monteres eller afmonteres.

► Fig.3: 1. Aksellås

**BEMÆRKNING:** Udløs aldrig aksellåsen, mens spindlen bevæger sig. Maskinen kan lide skade.

### Afbryderfunktion

**⚠FORSIGTIG:** Før akkuen sættes i maskinen, skal man altid sikre sig, at afbryderhåndtaget fungerer korrekt, og at det springer tilbage i "OFF"-positionen, når det slippes.

**⚠FORSIGTIG:** Af hensyn til din sikkerhed er maskinen forsynet med et aflåsehåndtag, der forhindrer, at maskinen starter ved et uheld. Brug ALDRIG maskinen, hvis den kører, når du blot trykker på afbryderhåndtaget uden at trække aflåsehåndtaget. Returner maskinen til vores autoriserede servicecenter til korrekt reparation, FØR den benyttes igen.

**⚠FORSIGTIG:** Træk ikke hårdt i afbryderhåndtaget uden at trække i aflåsehåndtaget. Dette kan forårsage beskadigelse af afbryderen.

**⚠FORSIGTIG:** Brug ALDRIG tape til at fastgøre aflåsehåndtaget eller på anden måde omgå dets formål og funktion.

### ► Fig.4: 1. Aflåsehåndtag 2. Afbryderhåndtag

For at forhindre utilsigtet indtrykning af afbryderhåndtaget er maskinen udstyret med et aflåsehåndtag. For at starte maskinen skal man trække aflåsehåndtaget mod operatøren og derefter trække i afbryderhåndtaget.

For at stoppe maskinen slippes afbryderhåndtaget.

### Funktion til forhindring af utilsigtet genstart

Maskinen starter ikke, når akkuen sættes i, mens der trækkes i afbryderhåndtaget.

For at starte maskinen skal man først slippe afbryderhåndtaget. Træk derefter i aflåsehåndtaget, og træk afbryderhåndtaget.

### Funktion til elektronisk drejningsmomentkontrol

Maskinen registrerer elektronisk situationer, hvor skiven eller tilbehøret kan risikere at binde. I så fald slukkes der automatisk for maskinen for at forhindre spindlen i at rotere yderligere (det forhindrer ikke tilbageslag). For at genstarte maskinen skal man først slukke for maskinen, eliminere årsagen til det pludselige fald i rotationshastighed og derefter tænde for maskinen.

### Funktion for blød start

Funktionen for blød start reducerer startreaktionen.

### Elektrisk bremse

#### *Kun for model GA011G / GA012G / GA013G*

Den elektriske bremse aktiveres, når der slukkes for maskinen.

Bremsen fungerer ikke, når strømforsyningen afbrydes, for eksempel hvis akkuen fjernes ved en fejltagelse, mens kontakten stadig er til.

## SAMLING

**⚠FORSIGTIG:** Sørg altid for at maskinen er slukket, og at akkuen er taget ud, før der udføres justering eller kontrol af funktioner på maskinen.

### Montering af sidehåndtag

**⚠FORSIGTIG:** Sørg altid for, at sidehåndtaget er ordentligt monteret inden brugen.

Skru sidehåndtaget ordentligt på maskinen på det på illustrationen viste sted.

► Fig.5

## Montering eller afmontering af beskyttelsesskærm

**⚠ ADVARSEL:** Ved brug af en forsænket centerskive, bladdisk, flex-skive eller trådskevborste skal beskyttelsesskærmen monteres på maskinen, så den lukkede side af skærmen altid vender mod operatøren.

**⚠ ADVARSEL:** Kontroller at beskyttelsesskærmen er låst ordentligt fast vha. låsearmen med et af hullerne i beskyttelsesskærmen.

**⚠ ADVARSEL:** Ved brug af en slibende afskæringsskive / diamantskive skal man sørge for kun at anvende den særlige beskyttelsesskærm, der er beregnet til brug med afskæringsskiver.

(I nogle lande i Europa kan den almindelige beskyttelsesskærm anvendes, når man anvender en diamantskive. Følg bestemmelserne for det pågældende land.)

## Til forsænket centerskive, bladdisk, flex-skive, trådskevborste / slibende afskæringsskive, diamantskive

1. Mens du trykker på låsearmen, skal du montere beskyttelsesskærmen, så fremspringene på beskyttelsesskærmen er ud for indhakkene på kuglelejevoksen.  
▶ Fig.6: 1. Låsearm 2. Indhak 3. Fremspring

2. Mens du trykker låsearmen mod A, skal du trykke beskyttelsesskærmen ind ved at holde ned på delene B som vist på figuren.  
▶ Fig.7: 1. Beskyttelsesskærm 2. Hul

**BEMÆRK:** Tryk beskyttelsesskærmen lige ned. Ellers kan du ikke trykke beskyttelsesskærmen helt ind.

3. Mens du beholder låsearmens og beskyttelsesskærmens position, som beskrevet i trin 2, skal du dreje beskyttelsesskærmen mod C og derefter ændre vinklen på beskyttelsesskærmen i overensstemmelse med arbejdet.  
▶ Fig.8: 1. Beskyttelsesskærm 2. Hul

**BEMÆRK:** Tryk beskyttelsesskærmen helt ind. Ellers kan du ikke dreje beskyttelsesskærmen.

Følg fremgangsmåden til montering i modsat rækkefølge for at afmontere beskyttelsesskærmen.

## Montering eller afmontering af forsænket centerskive eller bladdisk

### Ekstraudstyr

**⚠ ADVARSEL:** Når en forsænket centerskive eller bladdisk anvendes, skal beskyttelsesskærmen sættes på maskinen, så den lukkede side af skærmen altid er rettet mod operatøren.

**⚠ FORSIGTIG:** Sørg for, at monteringsdelen af den indvendige flange passer perfekt ind i den indvendige diameter på den forsænkede centerskive / bladdisken. Monteres den indvendige flange på den forkerte side, kan det medføre farlig vibration.

Monter den indvendige flange på spindlen. Sørg for, at anbringe den bulende del af den indvendige flange på den lige del nederst på spindlen. Anbring den forsænkede centerskive / bladdisken på den indvendige flange og skru låsemøtrikken på spindlen.

▶ Fig.9: 1. Låsemøtrik 2. Forsænket centerskive 3. Indvendig flange 4. Monteringsdel

Låsemøtrikken strammes ved at man trykker fast på aksellåsen, så spindlen ikke kan dreje, og derefter anvender låsemøtriknøglen til at stramme godt til i retningen med uret.

▶ Fig.10: 1. Låsemøtriknøgle 2. Aksellås

Gå frem i modsat rækkefølge af monteringsproceduren, når skiven skal tages af.

## Montering og afmontering af flex-skive

### Ekstraudstyr

**⚠ ADVARSEL:** Brug altid den medfølgende beskyttelsesskærm, når flex-skiven er monteret på maskinen. Skiven kan brække under brugen, og beskyttelsesskærmen bidrager til at reducere risikoen for tilskadecomst.

▶ Fig.11: 1. Låsemøtrik 2. Flex-skive 3. Bagskive 4. Indvendig flange

Følg instruktionerne for den forsænkede centerskive, men brug også bagskiven over skiven. Se rækkefølgen for samling på siden med beskrivelse af tilbehør i denne brugsanvisning.

## Montering og afmontering af slibedisk

### Ekstraudstyr

**BEMÆRK:** Brug sandslibetilbehør, som er specificeret i denne brugsanvisning. Dette skal anskaffes separat.

## For 100 mm model

▶ Fig.12: 1. Sandslibelåsemøtrik 2. Slibedisk 3. Gummipude 4. Indvendig flange

1. Monter den indvendige flange på spindlen.
2. Monter gummipuden på spindlen.
3. Monter disken på gummipuden og skru sandslibelåsemøtrikken på spindlen.
4. Hold spindlen med aksellåsen og spænd sandslibelåsemøtrikken ordentligt til i urets retning med låsemøtriknøglen.

Følg fremgangsmåden til montering i modsat rækkefølge for at afmontere disken.

## For 115 mm / 125 mm model

▶ Fig.13: 1. Sandslibelåsemøtrik 2. Slibedisk 3. Gummipude

1. Monter gummipuden på spindlen.
2. Monter disken på gummipuden og skru sandslibelåsemøtrikken på spindlen.
3. Hold spindlen med aksellåsen og spænd sandslibelåsemøtrikken ordentligt til i urets retning med låsemøtriknøglen.

Følg fremgangsmåden til montering i modsat rækkefølge for at afmontere disken.

## Montering eller fjernelse af Ezynut

### Ekstraudstyr

**⚠️FORSIGTIG:** Brug ikke Ezynut med superflange eller vinkelsliber med "F" i enden af modelnummeret. Disse flanger er så tykke, at hele gevindet ikke kan skrues ind i spindlen.

- **Fig.14:** 1. Ezynut 2. Slibeskive 3. Indvendig flange 4. Spindel

Monter indvendig flange, slibeskive og Ezynut på spindlen, så Makita-logoet på Ezynut vender udad.

- **Fig.15:** 1. Aksellås

Tryk aksellåsen ordentligt ind og stram Ezynut ved at dreje slibeskiven med uret, så langt den kan dreje. Drej den udvendige ring på Ezynut mod uret for at løsne den.

- **Fig.16:** 1. Pål 2. Indhak

- **Fig.17**

**BEMÆRK:** Ezynut kan løsnest med hånden, så længe pælen peger mod indhakkene. Ellers kræves der en låsemøtriknøgle for at løsne den. Sæt én af nøglens stifter ind i et hul og drej Ezynut mod uret.

## Montering af slibende afskæringskive / diamantskive

### Ekstraudstyr

**⚠️ADVARSEL:** Ved brug af en slibende afskæringskive / diamantskive skal man sørge for kun at anvende den særlige beskyttelsesskærm, der er beregnet til brug med afskæringskiver.

(I nogle lande i Europa kan den almindelige beskyttelsesskærm anvendes, når man anvender en diamantskive. Følg bestemmelserne for det pågældende land.)

**⚠️ADVARSEL:** Anvend ALDRIG en afskæringskive til sideslibning.

- **Fig.18:** 1. Låsemøtrik 2. Slibende afskæringskive / diamantskive 3. Indvendig flange 4. Beskyttelsesskærm til slibende afskæringskive / diamantskive

Med hensyn til monteringen skal instruktionerne for forsenkede centerskiver følges.

**Retningen for montage af låsemøtrikken og den indvendige flange afhænger af skivetyper og -tykkelsen.**

Se de følgende figurer.

## For 100 mm model

Når den slibende afskæringskive monteres:

- **Fig.19:** 1. Låsemøtrik 2. Slibende afskæringskive (Tyndere end 4 mm) 3. Slibende afskæringskive (4 mm eller tykkere) 4. Indvendig flange

Når diamantskiven monteres:

- **Fig.20:** 1. Låsemøtrik 2. Diamantskive (Tyndere end 4 mm) 3. Diamantskive (4 mm eller tykkere) 4. Indvendig flange

## For 115 mm / 125 mm model

Når den slibende afskæringskive monteres:

- **Fig.21:** 1. Låsemøtrik 2. Slibende afskæringskive (Tyndere end 4 mm) 3. Slibende afskæringskive (4 mm eller tykkere) 4. Indvendig flange

Når diamantskiven monteres:

- **Fig.22:** 1. Låsemøtrik 2. Diamantskive (Tyndere end 4 mm) 3. Diamantskive (4 mm eller tykkere) 4. Indvendig flange

## Montering af trådkopbørste

### Ekstraudstyr

**⚠️FORSIGTIG:** Anvend ikke en børste, som er beskadiget, eller som ikke er i balance.

Anvendelse af en beskadiget børste kan øge risikoen for tilskadekomst forårsaget af kontakt med knækkede børstetråde.

- **Fig.23:** 1. Trådkopbørste

Tag akkuen ud af maskinen, og anbring den på hovedet, så der er nem adgang til spindlen.

Fjern alt ekstraudstyr på spindlen. Monter trådkopbørsten på spindlen og stram til med den medfølgende nøgle.

## Montering af trådskeibørste

### Ekstraudstyr

**⚠️FORSIGTIG:** Anvend ikke en trådskeibørste, som er beskadiget, eller som ikke er i balance.

Anvendelse af en beskadiget trådskeibørste kan øge risikoen for tilskadekomst forårsaget af kontakt med ødelagte tråde.

**⚠️FORSIGTIG:** Anvend ALTID en beskyttelsesskærm med trådskeibørster, og sørg for, at skivens diameter passer inden i beskyttelsesskærmen. Skiven kan brække under brugen, og beskyttelsesskærmen bidrager til at reducere risikoen for tilskadekomst.

- **Fig.24:** 1. Trådskeibørste

Tag akkuen ud af maskinen, og anbring den på hovedet, så der er nem adgang til spindlen.

Fjern alt ekstraudstyr på spindlen. Sæt trådskeibørsten på spindlen og stram med nøglerne.

## ANVENDELSE

**⚠ ADVARSEL:** Det bør aldrig være nødvendigt at anvende magt på maskinen. Maskinens egen vægt sørger for det nødvendige tryk. Tvang og ekstremit tryk kan medføre farlige brud på skiven.

**⚠ ADVARSEL:** Skift **ALTID** skiven ud, hvis maskinen tabes under slibning.

**⚠ ADVARSEL:** Stød eller slå **ALDRIG** slibeskiven mod arbejdsemnet.

**⚠ ADVARSEL:** Undgå at støde og vride skiven, især ved arbejde på hjørner, skarpe kanter osv. Det kan medføre tab af kontrol og tilbageslag.

**⚠ ADVARSEL:** Anvend **ALDRIG** maskinen med klinger, der er beregnet til skæring i træ, og andre savklinger. Hvis sådanne klinger anvendes på en sliber, bliver resultatet ofte tilbageslag og tab af kontrol, hvilket kan føre til tilskadekomst.

**⚠ FORSIGTIG:** Tænd aldrig for maskinen, mens den er i kontakt med arbejdsemnet. Operatøren kan i så fald komme til skade.

**⚠ FORSIGTIG:** Bær altid beskyttelsesbriller eller ansigtsskærm under brugen.

**⚠ FORSIGTIG:** Efter brugen skal man altid slukke for maskinen og vente, indtil skiven er stoppet helt, inden man lægger maskinen fra sig.

**⚠ FORSIGTIG:** Hold **ALTID** godt fast i maskinen med den ene hånd på maskinhuset og den anden på sidehåndtaget.

## Slibning og sandslibning

► Fig.25

Start maskinen og anbring derefter skiven eller disken på arbejdsemnet.

Generelt skal kanten på skiven eller disken holdes i en vinkel på ca. 15° mod arbejdsemnets overflade.

I det tidsrum, hvor en ny skive indkøres, må man ikke arbejde med sliberen i forlæns retning, da dette muligvis vil bevirke, at den skærer ind i arbejdsemnet. Når først et stykke tids anvendelse har rundet kanten af skiven af, kan den anvendes i både forlæns og baglæns retning.

## Anvendelse med slibende afskæringsskive / diamantskive

### Ekstraudstyr

**⚠ ADVARSEL:** Vær påpasselig med ikke at "klemme" skiven eller udsætte den for ekstremt tryk. Forsøg ikke at lave et snit af ekstrem dybde. Et for stort pres på skiven vil øge belastningen og risikoen for at skiven vrider eller binder i snittet samt risikoen for tilbageslag, brud på skiven og overophedning af motoren.

**⚠ ADVARSEL:** Begynd ikke skæringen i arbejdsemnet. Lad skiven komme op på fuld hastighed og gå omhyggeligt ind i snittet, idet maskinen bevæges fremad over arbejdsemnets overflade. Skiven kan binde, presses op eller give tilbageslag, hvis maskinen startes i arbejdsemnet.

**⚠ ADVARSEL:** Under skæring må man aldrig ændre skivens vinkel. Hvis man øver sidelæns tryk på afskæringsskiven (som ved slibning), vil det bevirke, at skiven revner eller brækker med alvorlig tilskadekomst til følge.

**⚠ ADVARSEL:** En diamantskive skal anvendes vinkelret på det materiale, der skæres i.

Eksempel på anvendelse: anvendelse med slibende afskæringsskive

► Fig.26

Eksempel på anvendelse: anvendelse med diamantskive

► Fig.27

## Anvendelse med trådkopbørste

### Ekstraudstyr

**⚠ FORSIGTIG:** Kontroller børstens funktion ved at køre maskinen uden belastning, og sørg for at der ikke befinder sig nogen personer foran eller i forlængelse af børsten.

**BEMÆRKNING:** Undgå, at udøve et for stort tryk, som medfører overbøjning af tråde, når trådkopbørsten anvendes. Det kan muligvis medføre for tidligt brud.

Eksempel på anvendelse: anvendelse med trådkopbørste

► Fig.28

## Anvendelse med trådslibebørste

### Ekstraudstyr

**⚠ FORSIGTIG:** Kontroller trådslibebørstens funktion ved at køre maskinen uden belastning, og sørg for, at der ikke befinder sig nogen personer foran eller i forlængelse af børsten.

**BEMÆRKNING:** Undgå, når trådslibebørsten anvendes, at udøve et for stort tryk, som medfører overbøjning af tråde. Det kan muligvis medføre for tidligt brud.

Eksempel på anvendelse: anvendelse med trådslibebørste

► Fig.29

## VEDLIGEHOELSE

**⚠FORSIGTIG:** Vær altid sikker på, at værktøjet er slukket, og at akkuen er taget ud, inden De begynder at udføre inspektion eller vedligeholdelse.

**BEMÆRKNING:** Anvend aldrig benzin, rensbenzin, fortynder, alkohol og lignende. Det kan medføre misfarvning, deformation eller revner.

For at opretholde produktets SIKKERHED og PÅLIDELIGHED må reparation, vedligeholdelse eller justering kun udføres af et autoriseret Makita-servicecenter med anvendelse af Makita-reservedele.

## Rengøring af ventilationsåbninger

Maskinen og dens ventilationsåbninger skal altid holdes rene. Rengør maskinens ventilationsåbninger med jævne mellemrum eller når ventilationsåbningerne begynder at blive tilstoppede.

► **Fig.30:** 1. Udstødningsåbning 2. Indsugningsåbning

Fjern støvdækslet fra indsugningsåbningen, og rengør det for uhindret luftcirkulation.

► **Fig.31:** 1. Støvdæksel

**BEMÆRKNING:** Rengør støvdækslet, når det er tilstoppet med støv eller fremmedlegemer. Fortsat brug med et tilstoppet støvdæksel kan beskadige maskinen.

## EKSTRAUDSTYR

**⚠FORSIGTIG:** Det følgende tilbehør og ekstraudstyr er anbefalet til brug med Deres Makita maskine, der er beskrevet i denne brugsanvisning. Anvendelse af andet tilbehør eller ekstraudstyr kan udgøre en risiko for personskade. Anvend kun tilbehør og ekstraudstyr til det beskrevne formål.

Hvis De behøver hjælp ved valg af tilbehør eller ønsker yderligere informationer, bedes De kontakte Deres lokale Makita servicecenter.

• Original Makita-akku og oplader

► **Fig.32**

-	100 mm model	115 mm model	125 mm model
1	Håndtag 36		
2	Beskyttelseskærm (til slibeskive)		
3	Indvendig flange		
4	Forsænket centerskive / bladdisk		
5	Låsemøtrik		
6	Bagskive		
7	Flex-skive		
8	Indvendig flange og gummipude 76	Gummipude 100	Gummipude 115
9	Slibedisk		
10	Sandslibelåsemøtrik		
11	Trådslibebørste		
12	Trådkopbørste		
13	Beskyttelseskærm (til afskæringskive) *1		
14	Slibende afskæringskive / diamantskive		
-	Låsemøtriknøgle		

**BEMÆRK:** \*1 I nogle lande i Europa kan den almindelige beskyttelseskærm anvendes i stedet for den specielle beskyttelseskærm, som dækker begge sider af skiven, når man anvender en diamantskive. Følg bestemmelserne i det pågældende land.

**BEMÆRK:** Nogle ting på denne liste kan være inkluderet i værktøjspakken som standardtilbehør. Det kan være forskellige fra land til land.

## SPECIFIKĀCIJAS

Modelis:	GA011G	GA012G	GA013G	GA014G	GA015G	GA016G
Slīpripas diametrs	100 mm (4")	115 mm (4-1/2")	125 mm (5")	100 mm (4")	115 mm (4-1/2")	125 mm (5")
Maks. slīpripas biezums	6,4 mm	7,2 mm		6,4 mm	7,2 mm	
Vārpstas vītne	M10	M14 vai 5/8collas (dažādām valstīm atšķiras)		M10	M14 vai 5/8" (atkarībā no valsts)	
Nominālais ātrums (n)	8 500 min <sup>-1</sup>					
Kopējais garums	ar BL4025	398 mm				
	ar BL4040	410 mm				
Tīrsvars	2,8–3,4 kg	3,0–3,6 kg		2,8–3,3 kg	2,9–3,5 kg	2,9–3,6 kg
Nominālais spriegums	Līdzstrāva 36 V–40 V maks.					

- Nepārtrauktās izpētes un izstrādes programmas dēļ šeit uzrādītās specifikācijas var tikt mainītas bez brīdinājuma.
- Atkarībā no valsts specifikācijas var atšķirties.
- Svārs var būt atšķirīgs atkarībā no papildierīces (-ēm), tostarp akumulatora kasetnes. Tabulā ir attēlota vieglākā un smagākā kombinācija atbilstoši EPTA procedūrai 01/2014.

## Piemērotā akumulatora kasetne un lādētājs

Akumulatora kasetne	BL4025/BL4040
Lādētājs	DC40RA

- Daži no iepriekš norādītajiem lādētājiem un akumulatora kasetnēm var nebūt pieejami atkarībā no jūsu mītnes reģiona.

**⚠ BRĪDINĀJUMS:** Izmantojiet vienīgi iepriekš norādītās akumulatora kasetnes un lādētājus. Cita tipa akumulatora kasetņu un lādētāju izmantošana var radīt traumu un/vai aizdegšanās risku.

## Paredzētā lietošana

Šis darbarīks paredzēts metāla un akmeņu slīpēšanai, smalkai slīpēšanai un griešanai bez ūdens izmantošanas.

## Trokšņa līmenis

Tipiskais A svērtais trokšņa līmenis noteikts saskaņā ar EN60745-2-3:

Modelis	Skaņas spiediena līmenis (L <sub>pa</sub> ): (dB(A))	Skaņas jaudas līmeni (L <sub>wa</sub> ): (dB(A))	Nenoteiktība (K): (dB(A))
GA011G	81	92	3
GA012G	81	92	3
GA013G	82	93	3
GA014G	81	92	3
GA015G	81	92	3
GA016G	82	93	3

**PIEZĪME:** Paziņotā trokšņa emisijas vērtība noteikta atbilstoši standarta pārbaudes metodei, un to var izmantot, lai salīdzinātu vienu darbarīku ar citu.

**PIEZĪME:** Paziņoto trokšņa emisijas vērtību arī var izmantot iedarbības sākotnējā novērtējumā.

**▲BRĪDINĀJUMS:** Lietojiet asu aizsargus.

**▲BRĪDINĀJUMS:** Trokšņa emisija patiesos darba apstākļos var atšķirties no paziņotās vērtības atkarībā no darbarīka izmantošanas veida un jo īpaši atkarībā no apstrādājamā materiāla veida.

**▲BRĪDINĀJUMS:** Lai aizsargātu lietotāju, nosakiet drošības pasākumus, kas pamatoti ar iedarbību reālos darba apstākļos (ņemot vērā visus ekspluatācijas cikla posmus, piemēram, laiku, kamēr darbarīks ir izslēgts un kad darbojas tukšgaitā, kā arī palaišanas laiku).

## Vibrācija

Vibrācijas kopējā vērtība (trīsasu vektora summa) noteikta atbilstoši EN60745-2-3:

**Darba režīms: virsmas slīpēšana ar parastu sānu rokturi**

Modelis	Vibrācija ( $a_{hr, AG}$ ): ( $m/s^2$ )	Nenoteiktība (K): ( $m/s^2$ )
GA011G	4,5	1,5
GA012G	5,0	1,5
GA013G	6,0	1,5
GA014G	4,5	1,5
GA015G	5,0	1,5
GA016G	6,0	1,5

**Darba režīms: virsmas slīpēšana ar antivibrācijas sānu rokturi**

Modelis	Vibrācija ( $a_{hr, AG}$ ): ( $m/s^2$ )	Nenoteiktība (K): ( $m/s^2$ )
GA011G	4,5	1,5
GA012G	5,0	1,5
GA013G	6,5	1,5
GA014G	4,5	1,5
GA015G	5,0	1,5
GA016G	6,5	1,5

**Darba režīms: slīpēšana ar disku ar parastu sānu rokturi**

Modelis	Vibrācija ( $a_{hr, AG}$ ): ( $m/s^2$ )	Nenoteiktība (K): ( $m/s^2$ )
GA011G	2,5 $m/s^2$ vai mazāk	1,5
GA012G	2,5	1,5
GA013G	3,0	1,5
GA014G	2,5 $m/s^2$ vai mazāk	1,5
GA015G	2,5	1,5
GA016G	3,0	1,5

**Darba režīms: slīpēšana ar disku ar antivibrācijas sānu rokturi**

Modelis	Vibrācija ( $a_{hr, AG}$ ): ( $m/s^2$ )	Nenoteiktība (K): ( $m/s^2$ )
GA011G	2,5 $m/s^2$ vai mazāk	1,5
GA012G	2,5	1,5
GA013G	3,0	1,5
GA014G	2,5 $m/s^2$ vai mazāk	1,5
GA015G	2,5	1,5
GA016G	3,0	1,5

**PIEZĪME:** Paziņotā kopējā vibrācijas vērtība noteikta atbilstoši standarta pārbaudes metodei, un to var izmantot, lai salīdzinātu vienu darbarīku ar citu.

**PIEZĪME:** Paziņoto kopējo vibrācijas vērtību arī var izmantot iedarbības sākotnējā novērtējumā.

**▲BRĪDINĀJUMS:** Vibrācijas emisija darba apstākļos no paziņotās vērtības atkarībā no darbarīka izmantošanas veida un jo īpaši atkarībā no apstrādājamā materiāla veida.

**▲BRĪDINĀJUMS:** Lai aizsargātu lietotāju, nosakiet drošības pasākumus, kas pamatoti ar iedarbību reālos darba apstākļos (ņemot vērā visus ekspluatācijas cikla posmus, piemēram, laiku, kamēr darbarīks ir izslēgts un kad darbojas tukšgaitā, kā arī palaides laiku).

**▲BRĪDINĀJUMS:** Paziņoto vibrācijas emisijas vērtību izmanto galvenajām mehānizētā darbarīka darbībām. Taču, ja darbarīku izmanto citām darbībām, vibrācijas emisijas vērtība var būt atšķirīga.

## EK atbilstības deklarācija

*Tikai Eiropas valstīm*

EK atbilstības deklarācija šajā lietošanas rokasgrāmatā ir iekļauta kā A pielikums.

## DROŠĪBAS BRĪDINĀJUMI

### Vispārīgi elektrisko darbarīku drošības brīdinājumi

**▲BRĪDINĀJUMS:** Izlasiet visus drošības brīdinājumus, instrukcijas, apskatiet ilustrācijas un tehniskos datus, kas iekļauti mehānizētā darbarīka komplektācijā. Ja netiek ievēroti visi tālāk minētie noteikumi, var tikt izraisīta elektrotrauma, notikt aizdegšanās un/vai rasties smagas traumas.

### Glabājiet visus brīdinājumus un norādījumus, lai varētu tajos ieskatīties turpmāk.

Termins „elektrisks darbarīks” brīdinājumos attiecas uz tādu elektrisko darbarīku, ko darbina ar elektrību (ar vadu), vai tādu, ko darbina ar akumulatoru (bez vada).

### Drošības brīdinājumi bezvada slīpmašīnas lietošanai

Drošības brīdinājumi, kas vienādi attiecas uz slīpēšanas, smalkās slīpēšanas, tīrīšanas ar stieplu suku vai abrazīvās griešanas darbībām:

1. Šo mehānizēto darbarīku paredzēts izmantot slīpēšanai, smalkai slīpēšanai, tīrīšanai ar stieplu suku vai griešanai. Izlasiet visus drošības brīdinājumus, instrukcijas, apskatiet ilustrācijas un tehniskos datus mehānizētā darbarīka komplektā. Ja netiek ievēroti visi tālāk minētie noteikumi, var tikt izraisīta elektrotrauma, notikt aizdegšanās un/vai rasties smagas traumas.
2. Ar šo mehānizēto darbarīku nav ieteicams veikt tādas darbības kā pulēšana. Tādu darbību veikšana, kam šis mehānizētais darbarīks nav paredzēts, var būt bīstama un radīt traumas.
3. Lietojiet tikai darbarīka ražotāja īpaši izgatavotos un ieteiktos piederumus. Kaut arī piederumu ir iespējams piespiņināt pie mehānizētā darbarīka, tā lietošana nav droša.
4. Piederuma nominālajam ātrumam jābūt vismaz identiskam ar maksimālo ātrumu, kas atzīmēts uz mehānizētā darbarīka. Piederumi, kas griežas ātrāk par nominālo ātrumu, var salūzt un tikt izsviesti.

5. Piederuma ārējam diametram un biezumam jābūt mehānizētā darbarīka jaudas robežās. Nepareiza izmēra piederumus nav iespējams pietiekami uzmanīt vai vadīt.
6. Piederumu stiprinājuma vītnei jāatbilst slīpmašīnas vārpstas vītnei. Piederumu, kurus piespina aiz atlokliem, ass atverei jāatbilst atloka uzstādīšanas diametram. Piederumi, kas neatbilst mehānizētā darbarīka stiprinājumiem, kļūs nestabili, pārmērīgi vibrēs un var izraisīt vadības zaudēšanu.
7. Neizmantojiet bojātu piederumu. Pirms katras lietošanas pārbaudiet, vai piederumos, piemēram, abrazīvās ripās nav plaisu, pļsumu, atbalsta plāksne nav saplaisājusī, saplēsta vai pārmērīgi nolietota, un stieplu sukā nav vaļņu vai salūzušu stieplu. Ja mehānizētais darbarīks nokrīt, pārbaudiet, vai nav radušies bojājumi, vai uzstādiēt nebojātu piederumu. Pēc piederuma pārbaudes un uzstādīšanas atkāpieties pats un lieciet visiem klātesošajiem atkāpieties no piederuma rotācijas plaknes, un vienu minūti darbiniet mehānizēto darbarīku bez slodzes ar maksimālo ātrumu. Bojāti piederumi šādas pārbaudes laikā parasti salūst.
8. Izmantojiet individuālos aizsarglīdzekļus. Atkarībā no veicamā darba valkājiet sejas aizsargu, aizsargbrilles vai brilles. Ja nepieciešams, valkājiet putekļu masku, ausu aizsargus, cimdus un darba priekšautu, kas aiztur mazas abrazīvas vai materiāla daļiņas. Acu aizsardzības aprīkojumam jāspēj aizturēt lidojošus gružus, kas rodas dažādu darbu veikšanas laikā. Putekļu maskai vai respiratoram jāaiztur darba laikā radušās daļiņas. Ilgstoši pakļaujot sevi ļoti intensīvam troksnim, var rasties dzirdes zudums.
9. Gādājiet, lai apkārtējie atrastos drošā attālumā no darba vietas. Ikvienam, kas atrodas darba vietā, jāizmanto individuālie aizsarglīdzekļi. Apstrādājamo materiāla vai bojāta piederuma daļiņas var tikt izsviestas un traumēt cilvēkus darba vietas tuvumā.
10. Strādājot mehānisko darbarīku turiet aiz izolētajam satveršanas virsmām, ja griešanas darbarīks varētu saskarties ar neredzamu elektroinstalāciju. Saskare ar vadu zem sprieguma var spriegumu novadīt uz mehānizētā darbarīka metāla daļām, bet operators var saņemt elektriskās strāvas triecienu.
11. Nekādā gadījumā nenolieciet mehānizēto darbarīku, pirms tas nav pilnībā apstājies. Rotējošais piederums var aizķert virsmu un izraut mehānizēto darbarīku jums no rokām.
12. Nedarbiniet mehānizēto darbarīku, to pārņēšot. Ja apgērbs nejausi pieskaras rotējošajam piederumam, tas var tikt satverts, iespējot piederumu miesā.



13. **Regulāri tīriet mehānizētā darbarīka ventilācijas atveres.** Motora ventilatoru ievēl putekļus korpusā un pārmerīga sīku metāla daļiņu uzkrāšanās var izraisīt elektrosistēmas bojājumus.
14. **Mehānizēto darbarīku nedrīkst darbināt ugunsnedrošu materiālu tuvumā.** Dzirksteles var aizdedzināt šos materiālus.
15. **Nelietojiet tādus piederumus, kam vajadzīgi dzesēšanas šķidrums.** Lietojot ūdeni vai citus dzesēšanas šķidrumus, var gūt nāvējošu elektrotraumu vai elektriskās strāvas triecienu.

#### Atsitiens un ar to saistīti brīdinājumi

Atsitiens ir pēkšņa reakcija uz rotējošās ripas iespīšanu vai aizķeršanos, balsta paliktni, šuku vai kādu citu piederumu. Iespūšana vai aizķeršanās izraisa pēkšņu rotējošā piederuma apstāšanos, kas savukārt saskares brīdī izraisa nevadāmu mehānizētā darbarīka grūdienu pretēji tā rotācijas virzienam.

Ja abrazīvā slīpripa, piemēram, aizķeras vai iespūst apstrādājamā materiālā, slīpripas mala, kas nokļūst iespūšanas vietā, var iespīsties materiāla virsmā, liekot slīpripai izvīrēties vai atlēkt. Slīpripa saskares brīdī var izlēkt operatora virzienā vai prom no viņa, atkarībā no slīpripas kustības virziena. Šādos gadījumos abrazīvās slīpripas var arī salūzt.

Atsitiens rodas darbarīka nepareizas lietošanas un/vai nepareizas darbības vai apstākļu rezultātā, un no tā var izvairīties, veicot piemērotus drošības pasākumus, kā norādīts tālāk.

1. **Saglabājiet ciešu darbarīka tvērienu un novietojiet ķermeni un rokas tā, lai pretotos atsitienu spēkam.** Lai maksimāli kontrolētu atsitienu (iedarbināšanas laikā) vai griezes momentu, vienmēr lietojiet palīgrokturi, ja tāds ir. Operators var savaldīt griezes momenta reakciju vai atsitienu spēku, ja veic atbilstošus piesardzības pasākumus.
2. **Nekad nenovietojiet roku rotējošā piederuma tuvumā.** Piederums var radīt atsitienu, trāpot rokas.
3. **Neviena jūsu ķermeņa daļa nedrīkst atrasties ceļā, kur atsitienu gadījumā pārvietosies mehānizētais darbarīks.** Atsitiens ieķeršanās gadījumā grūdi darbarīku no ieķeršanās vietas slīpripas kustībai pretēji virzienā.
4. **Īpaši uzmanieties, apstrādājot stūrus, asas malas u.c. Nepieļaujiet piederuma atlēkšanu un aizķeršanos.** Stūri, asas malas vai atlēkšana parasti izraisa rotējošā piederuma aizķeršanos un var radīt kontroles zaudēšanu vai atsitienu.
5. **Nepievienojiet ķēdes zāga kokgriezumam asmeni vai zobaino zāga asmeni.** Šādi asmeņi izraisa biežus atsitienu un vadības zaudēšanu.

**Drošības brīdinājumi tieši slīpēšanas un abrazīvās griešanas darbībām:**

1. **Izmantojiet tikai savam mehānizētajam darbarīkam ieteicamos ripu veidus un īpašos aizsargus, kas paredzēti izvēlētajai ripai.** Ripas, kam mehānizētais darbarīks nav paredzēts, nevar pienācīgi aizsargāt, tāpēc tās nav drošas.
2. **Ripas ar ieliektu centru slīpēšanas virsmai jāatrodas zemāk par aizsargloka malu.** Nepareizi piestiprināta ripa, kas izvīrās no aizsargloka malas plaknes, nav pietiekami aizsargājama.

3. **Aizsargam jābūt stingri piestiprinātam pie mehānizētā darbarīka un novietotam maksimāli drošībai, lai operatora virzienā ir atsega mazāka ripas daļa.** Aizsargs palīdz aizsargāt operatoru no salūzušas ripas daļām un nejausās saskares ar slīpripu un dzirkstelēm, kas var aizdedzināt apģērbu.
4. **Slīpripas jāizmanto tikai tām ieteicamajiem darbiem. Piemēram: neslīpējiet ar griešanas ripas malu.** Abrazīvās griešanas ripas paredzētas perifērai slīpēšanai, tāpēc, ja uz šīm ripām iedarbojas sānu spēks, tās var salūzt.
5. **Vienmēr izmantojiet nebojātus, izvēlētajai ripai atbilstoša izmēra un formas ripas atlokus.** Atbilstoši slīpripas atloki balsta slīpripu, tādējādi samazinot tās salūšanas iespēju. Nogrīšanas ripu atloki var atšķirties no slīpēšanai paredzēto ripu atlokiem.
6. **Neizmantojiet nodilušas lielāku mehānizēto darbarīku ripas.** Lielākiem mehānizētajiem darbarīkiem paredzētās ripas nav piemērotas mazāka darbarīka lielākajam ātrumam, tās var sabrukt.

**Papildu drošības brīdinājumi tieši abrazīvās griešanas darbībām:**

1. **Neļaujiet griezējībai iespūst, neizmantojiet pārmerīgu spiedienu. Negrieziet pārāk dziļi.** Ripas pārslodģošana palielina slodzi, ripas sašķībešanās vai ieķeršanās griezumā, atsitienu vai slīpripas salūšanas iespējamību.
2. **Nenostājieties vienā līnijā ar rotējošo ripu un aiz tās.** Kad darba laikā ripas pārvietojas virzienā prom no jūsu ķermeņa, iespējams atsitiens var grūst rotējošo ripu un mehānizēto darbarīku tieši jūsu virzienā.
3. **Kad darba vietā ripas pārvietojas virzienā prom no operatora ķermeņa, iespējams atsitiens rotējošo ripu un mehānizēto darbarīku var grūst tieši operatora virzienā. Nekādā gadījumā nemēģiniet izņemt griezējīgu no griezuma, kad ripa vēl griežas, lai netiktu izraisīts atsitiens.** Pārbaudiet un veiciet attiecīgus pasākumus, lai novērstu ripas ieķeršanās cēloņus.
4. **Neatsāciet griešanu, darbarīkam atrodoties apstrādājamā materiālā. Ļaujiet ripai sasniegt pilnu ātrumu un tad uzmanīgi atkal ievietojiet to griezumā.** Slīpripa var iekerties, izvīrēties augšup vai atlēkt, ja mehānizētais darbarīks tiek atkal iedarbināts, atrodoties apstrādājamajā virsmā.
5. **Atbalstiet paneļus un visus lielos apstrādājamos materiālus, lai samazinātu slīpripas iespūšanas un atsitienu bīstamību.** Lielī apstrādājamie materiāli bieži vien ieliecās sava svara dēļ. Balsti jānovieto abās slīpripas pusēs zem apstrādājamās virsmas, griezuma līnijas tuvumā un tuvu apstrādājamās virsmas malai.
6. **Esiet īpaši uzmanīgs, veicot „nišas griezumus” jau esošajās sienās vai citās aizsegtās vietās.** Caururbjošā slīpripa var pārgriezt gāzes vai ūdens caurules, elektrības vadus vai priekšmetus, kas var izraisīt atsitienu.

**Drošības brīdinājumi tieši smalkajai slīpēšanai:**

1. **Neizmantojiet pārāk lielu slīpēšanas ripas papīru. Izvēloties smilšpapīru smalkajai apstrādei, ievērojiet ražotāja ieteikumus.** Par slīpēšanas pamatni lielāks smilšpapīrs rada plūsuma briesmas, jo ripa var iekerties, plīst vai izraisīt atsitienu.

Drošības brīdinājumi apstrādei ar stieplu suku:

1. Nemiet vērā, ka stieplu sari tiek izviesti no sukas pat parastas darbības laikā. Nepārslogojiet stieples, pieliekot sukai pārmērīgu spēku. Stieplu sari var ātri caursist vieglus audumus un/vai ādu.
2. Ja apstrādei ar stieplu suku ieteikts izmantot aizsargu, nepieļaujiet stieplu ripas vai sukas saskari ar aizsargu. Darba slodzes un centrēšanas spēku iedarbībā stieplu ripai vai sukai var palielināties diametrs.

Papildu drošības brīdinājumi:

1. Lietojot slīpripas ar ieliektu jeb iedzīlīnātu centru, noteikti izmantojiet tikai slīpripas ar stikla šķiedras armatūru.
2. Šai slīpmašīnai NEKAD NEUZSTĀDIET kausveida akmens ripu. Šī slīpmašīna nav paredzēta šāda veida ripām, un to izmantošana var radīt smagas traumas.
3. Uzmanieties, lai nesabojātu vārpstu, atloku (it īpaši uzstādīšanas virsmu) un kontruzgriezni. Šo detaļu bojājums var izraisīt ripas salūšanu.
4. Pārliecinieties, ka slīpripa nepieskaras apstrādājamajai virsmai pirms slēdža ieslēgšanas.
5. Pirms lietot darbarīku materiāla apstrādei, īslaicīgi darbiniet to bez slodzes. Pievērsiet uzmanību tam, vai nav novērojama vibrācija vai svārstības, kas var norādīt uz nekvālitatīvu uzstādīšanu vai nepareizi līdzsvarotu slīpripu.
6. Lai slīpētu, izmantojiet tam paredzēto slīpripas virsmu.
7. Neatstājiet darbarīku ieslēgtu. Darbiniet darbarīku vienīgi tad, ja turat to rokās.
8. Neskarieties pie apstrādājamas detaļas tūlīt pēc darba izpildes; tā var būt ārkārtīgi karsta un apdedzināt ādu.
9. Ievērojiet ražotāja norādījumus slīpripu pareizai montāžai un lietošanai. Rīkojieties ar slīpripām uzmanīgi un uzglabājiet tās rūpīgi.
10. Neizmantojiet atsevišķus samazinošus ieliktņus vai pārējas, lai pielāgotu abrazīvās slīpripas ar liela diametra atveri.
11. Izmantojiet tikai šim darbarīkam paredzētus atlokus.
12. Darbarīkiem, kuri paredzēti lietošanai ar vītņotu slīpripu, pārliecinieties, ka slīpripas vītņos garums atbilst vārpstas garumam.
13. Pārbaudiet, vai apstrādājamā detaļa ir pienācīgi atbalstīta.
14. Nemiet vērā, ka slīpripa turpina griezties arī pēc darbarīka izslēgšanas.
15. Ja darba vietā ir ārkārtīgi augsta temperatūra un liels mitrums, vai tā ir stipri piesārņota ar vadītspējīgiem putekļiem, izmantojiet īssavienojuma pārtraucēju (30 mA), lai garantētu operatora drošību.
16. Neizmantojiet darbarīku tādu materiālu apstrādei, kas satur azbestu.
17. Lietojot griezējripas, vienmēr izmantojiet ripas aizsargu ar putekļu savācēju, ko prasa vietēja likumdošana.
18. Griešanas ripas nedrīkst pakļaut jebkādam sānu spiedienam.

19. Strādājot nelietojiet auduma darba cimdus. Šķiedras no auduma cimdiem var iekļūt darbarīkā, izraisot darbarīka bojājumus.

## SAGLABĀJIET ŠOS NORĀDĪJUMUS.

**▲BRĪDINĀJUMS: NEPIEĻAUJIET** to, ka labu lemaņu vai izstrādājuma labas pārzināšanas (darbarīku atkārtoti ekspluatējot) rezultātā vairs stingri neievērojat šī izstrādājuma drošības noteikumus. NEPAREIZI LIETOJOT darbarīku vai neievērojot šajā instrukcijā rokasgrāmatā minētos drošības noteikumus, var tikt gūtas smagas traumas.

## Svarīgi drošības norādījumi par akumulatora kasetni

1. Pirms akumulatora lietošanas izlasiet visus norādījumus un brīdinājumus, kuri attiecas uz (1) akumulatora lādētāju, (2) akumulatoru un (3) ierīci, kurā tiek izmantots akumulators.
2. Akumulatora kasetni nedrīkst ne pārveidot, ne izjaukt. Citādi var tikt izraisīta aizdegšanās, pārmērīgs karstums vai sprādziens.
3. Ja akumulatora darbības laiks kļūva ievērojami īsāks, nekavējoties pārtrauciet to izmantot. Citādi, tas var izraisīt pārkaršējumu, uzliesmojumu vai pat sprādzienu.
4. Ja elektrolīts nonāk acīs, izskalojiet tās ar tīru ūdens un nekavējoties griezieties pie ārsta. Tas var izraisīt redzes zaudēšanu.
5. Neradiet īssavienojumu akumulatora kasetnē:
  - (1) Nepieskarieties spaiļēm ar elektrību vadošiem materiāliem.
  - (2) Neuzglabājiet akumulatoru kasetni kopā ar citiem metāla priekšmetiem, tādiem kā naglas, monētas u. c.
  - (3) Nepakļaujiet akumulatora kasetni ūdens vai lietus iedarbībai.Akumulatora īssavienojums var radīt spēcīgu strāvas plūsmu, pārkaršanu, uzliesmojumu un pat sabojāt akumulatoru.
6. Neglabājiet darbarīku un akumulatora kasetni vietās, kur temperatūra var sasniegt vai pārsniegt 50 °C (122 °F).
7. Nededziniet akumulatora kasetni, pat ja tā ir stipri bojāta vai pilnībā nolietota. Akumulatora kasetne ugunī var eksplodēt.
8. Akumulatora kasetni nedrīkst naglot, griezt, saspīst, mest vai nomest, kā arī pa to nedrīkst sist ar cietu priekšmetu. Šādas darbības var izraisīt aizdegšanos, pārmērīgu karstumu vai sprādzienu.
9. Neizmantojiet bojātu akumulatoru.
10. Uz izmantotajiem litija jonu akumulatoriem attiecas likumdošanas prasības par bīstamiem izstrādājumiem.

Komerציālā transportēšanā, ko veic, piemēram, trešās puses, transporta uzņēmumi, jāievēro uz iesaiņojuma un marķējuma norādītās īpašās prasības. Lai izstrādājumu sagatavotu nosūtīšanai, jāsavienā ar bīstamo materiālu speciālistu. Ievērojiet arī citus attiecīgos valsts normatīvus.

Vajājus kontaktus nosedziet ar līmlenti vai citādi pārklājiet, bet akumulatoru iesaiņojiet tā, lai sānīt tas nevarētu izkustēties.

11. Lai utilizētu akumulatora kasetni, izņemiet to no darbarīka un likvidējiet drošā vietā. Ievērojiet vietējos noteikumus par akumulatora likvidēšanu.
12. Izmantojiet šos akumulatorus tikai ar izstrādājumiem, kurus norādījis Makita. Ievietojot šos akumulatorus nesaderīgos izstrādājumos, var rasties ugunsgrēks, pārmērīgs karstums, tie var uzsprāgt vai no tiem var iztecēt elektrolīts.
13. Ja darbarīks netiks lietots ilgu laiku, no tā jāizņem akumulators.
14. Lietošanas laikā vai pēc tās akumulatora kasetne var uzkrāt siltumu, kas var izraisīt apdegumus vai zemas temperatūras apdegumus. Ar karstu akumulatora kasetni apejieties rūpīgi.
15. Nepieskarieties darbarīka izvadam uzreiz pēc lietošanas, jo tas var būt sakarsis un izraisīt apdegumus.
16. Neļaujiet akumulatora kasetnes izvadā, atverēs un rievās uzkrāties skaidām, putekļiem vai augsnei. Tādējādi darbarīks vai akumulatora kasetne var sākt darboties nekvalitatīvi vai tikt sabojāti.
17. Neizmantojiet akumulatora kasetni augstsprieguma līniju tuvumā, izņemot gadījumus, kad darbarīks ir piemērots lietošanai augstsprieguma līniju tuvumā. Citādi darbarīks vai akumulatora kasetne var sākt darboties nepareizi vai tikt sabojāti.

## SAGLABĀJIET ŠOS NORĀDĪJUMUS.

**UZMANĪBU:** Lietojiet tikai oriģinālos Makita akumulatorus. Ja lietojat neoriģinālus Makita akumulatorus vai pārveidotus akumulatorus, tie var uzsprāgt un izraisīt aizdegšanos, traumas un materiālos zaudējumus. Tīks anulēta arī Makita darbarīka un lādētāja garantija.

## Ieteikumi akumulatora kalpošanas laika pagarināšanai

1. Uzlādējiet akumulatora kasetni, pirms tā ir pilnībā izlādējusies. Vienmēr, kad ievērojat, ka darbarīka darba jauda zudusi, apturiet darbarīku un uzlādējiet akumulatora kasetni.
2. Nekad neuzlādējiet pilnībā uzlādētu akumulatora kasetni. Pārmērīga uzlāde saīsina akumulatora kalpošanas laiku.
3. Uzlādējiet akumulatora kasetni istabas temperatūrā 10 °C - 40 °C. Karstai akumulatora kasetnei pirms uzlādes ļaujiet atdzist.
4. Kad akumulatora kasetne netiek izmantota, izņemiet to no darbarīka vai lādētāja.
5. Uzlādējiet litiņa jonu akumulatora kasetni, ja to ilgstoši nelietosit (vairāk nekā sešus mēnešus).

## FUNKCIJU APRAKSTS

**UZMANĪBU:** Pirms darbarīka regulēšanas vai tā darbības pārbaudes vienmēr pārlecinieties, ka darbarīks ir izslēgts un akumulatora kasetne ir izņemta.

## Akumulatora kasetnes uzstādīšana un izņemšana

**UZMANĪBU:** Vienmēr pirms akumulatora kasetnes uzstādīšanas vai noņemšanas izslēdziet darbarīku.

**UZMANĪBU:** Uzstādot vai izņemot akumulatora kasetni, darbarīku un akumulatora kasetni turiet cieši. Ja darbarīku un akumulatora kasetni netur cieši, tie var izkrist no rokām un radīt bojājumus darbarīkam un akumulatora kasetnei, kā arī izraisīt ievainojumus.

► **Att.1:** 1. Sarkanās krāsas indikators 2. Poga 3. Akumulatora kasetne

Lai izņemtu akumulatora kasetni, izvelciet to no darbarīka, pārīdodot kasetnes priekšpusē esošo pogu.

Lai uzstādītu akumulatora kasetni, salāgojiet mēlīti uz akumulatora kasetnes ar rievu ietvarā un iebīdīet to vietā. Ievietojiet to līdz galam, līdz tā ar klikšķi nofiksējas. Ja pogas augšējā daļā redzams sarkanās krāsas indikators, tas nozīmē, ka tā nav pilnīgi fiksēta.

**UZMANĪBU:** Vienmēr ievietojiet akumulatora kasetni tā, lai sarkanais indikators nebūtu redzams. Pretējā gadījumā tā var nejauši izkrist no darbarīka un izraisīt jums vai apkārtējiem traumas.

**UZMANĪBU:** Neievietojiet akumulatora kasetni ar spēku. Ja kasetne neslīd ietvarā viegli, tā nav pareizi ielikta.

## Atlikušās akumulatora jaudas indikators

Nospiediet akumulatora kasetnes pārbaudes pogu, lai pārbaudītu akumulatora atlikušo uzlādes līmeni. Indikatori iedegsies uz dažām sekundēm.

► **Att.2:** 1. Indikatora lampas 2. Pārbaudes poga

Indikatora lampas			Atlikusī jauda
lededzies	Izslēgts	Mirgo	
■ ■ ■ ■	□	▬	No 75% līdz 100%
■ ■ ■ □	□	▬	No 50% līdz 75%
■ ■ □ □	□	▬	No 25% līdz 50%
■ □ □ □	□	▬	No 0% līdz 25%
▬ □ □ □	□	▬	Uzlādējiet akumulatoru.
■ ■ □ □	□	▬	Iespējama akumulatora kļūme.
□ □ ■ ■	□	▬	

**PIEZĪME:** Reālā jauda var nedaudz atšķirties no norādītās atkarībā no lietošanas apstākļiem un apkārtējās temperatūras.

## Darbarīka/akumulatora aizsardzības sistēma

Darbarīkam ir darbarīka/akumulatora aizsardzības sistēma. Šī sistēma automātiski izslēdz strāvas padevi motoram, lai pagarinātu darbarīka un akumulatora darbību. Lietošanas laikā darbarīks automātiski pārstās darboties, ja darbarīku vai akumulatoru pakļaus kādam no šādiem apstākļiem.

### Aizsardzība pret pārslodzi

Ja darbarīku/akumulatoru lieto tā, ka tas patērē pārmērīgi lielu strāvas daudzumu, darbarīks automātiski bez iepriekšēja brīdinājuma pārstāj darboties. Šādā gadījumā izslēdziet darbarīku un pārtrauciet darbību, kas izraisa darbarīka pārslodzi. Pēc tam ieslēdziet darbarīku, lai atsāktu darbu.

### Aizsardzība pret pārkaršanu

Kad darbarīks/akumulators ir pārkaris, darbarīks automātiski pārstāj darboties. Pirms atkārtotas ieslēgšanas ļaujiet darbarīkam atdzist.

### Aizsardzība pret akumulatora pārmērīgu izlādi

Ja akumulatora jaudas līmenis ir zems, darbarīks automātiski pārstāj darboties. Šajā gadījumā akumulatoru izņemiet no darbarīka un uzlādējiet.

### Aizsardzības bloķētāja izslēgšana

Ja aizsardzības sistēma ieslēgsies atkārtoti, darbarīks tiek bloķēts. Šādā gadījumā darbarīks nesāk darboties pat pēc izslēgšanas un ieslēgšanas. Lai izslēgtu aizsardzības bloķētāju, akumulatoru izņemiet, ievietojiet akumulatora lādētājā un nogaidiet, līdz beidzas uzlāde.

### Vārpstas bloķētājs

Nospiediet vārpstas bloķētāju, lai novērstu vārpstas griešanas piederumu uzstādīšanas vai noņemšanas laikā.

► **Att.3:** 1. Vārpstas bloķētājs

**IEVĒRĪBAI:** Nekad neieslēdziet vārpstas bloķētāju, kad griežas vārpsta. Tas var sabojāt darbarīku.

## Slēdža darbība

**▲UZMANĪBU:** Vienmēr pirms akumulatora kasetnes uzstādīšanas darbarīkā pārbaudiet, vai slēdža svira darbojas pareizi un pēc atlaišanas atgriežas stāvoklī "OFF" (izslēgts).

**▲UZMANĪBU:** Jūsu drošības labad darbarīks ir aprīkots ar atbloķēšanas sviru, kas novērš darbarīka nejaušas iedarbināšanas risku. **NEIZMANTOJIET** darbarīku, ja tas darbojas, kad nospiežat slēdža sviru, nenospiežot atbloķēšanas sviru. **PIRMS** turpmākas lietošanas nododiet darbarīku mūsu pilnvarotajā apkopes centrā, lai veiktu pienācīgu remontu.

**▲UZMANĪBU:** Slēdža sviru nespiediet ar spēku, nenospiežot atbloķēšanas sviru. Spiežot ar spēku, var sabojāt slēdzi.

**▲UZMANĪBU:** **NEKAD** nenovērtējiet par zemu un neignorējiet atbloķēšanas sviras mērķi un funkcijas.

► **Att.4:** 1. Atbloķēšanas svira 2. Slēdža svira

Lai slēdža sviru nospiestu nejauši, darbarīks ir aprīkots ar atbloķēšanas sviru.

Lai darbarīku iedarbinātu, atbloķēšanas sviru pavelciet virzienā pret sevi un tad nospiediet slēdža sviru. Lai darbarīku apturētu, atlaidiet slēdža sviru.

## Nejaušas atkārtotas ieslēgšanas nepieļaušanas funkcija

Ja akumulatora kasetnes uzstādīšanas brīdī ir nospiesta slēdža svira, darbarīks nesāks darboties. Lai darbarīku ieslēgtu, vispirms atlaidiet slēdža sviru. Vispirms nospiediet atbloķēšanas sviru un tikai pēc tam — slēdža sviru.

## Elektroniskā griezes momenta vadības funkcija

Darbarīks elektroniski nosaka stāvokli, kad ripa vai piederums var iesprūst. Šādā gadījumā darbarīks automātiski izslēdzas, lai vārpsta vairs negrieztos (taču tas nenovērš atsitienu).

Lai atkārtoti ieslēgtu darbarīku, vispirms to izslēdziet, novērsiet darbarīka ātruma pēkšņās samazināšanās iemeslu un tad atkal ieslēdziet darbarīku.

## Pakāpeniskas jeb laidenās ieslēgšanas funkcija

Pakāpeniskas ieslēgšanas funkcija mazina iedarbināšanas reakciju.

## Elektrobremze

**Tikai modelim GA011G/GA012G/GA013G**

Elektrobremze tiek ieslēgta pēc darbarīka izslēgšanas. Bremze nedarbojas, ja barošana ir izslēgta, piemēram, tiek izņemts akumulators, kad slēdzis vēl ir ieslēgšanas stāvoklī.

## MONTĀŽA

**⚠UZMANĪBU:** Pirms darbarīka regulēšanas vai tā darbības pārbaudes vienmēr pārļiecinieties, ka darbarīks ir izslēgts un akumulatora kasetne ir izņemta.

### Sānu roktura uzstādīšana (rokturis)

**⚠UZMANĪBU:** Pirms darbarīka izmantošanas vienmēr pārļiecinieties, ka sānu rokturis ir uzstādīts droši.

Stingri pieskrūvējiet sānu rokturi pie darbarīka, kā parādīts attēlā.

▶ Att.5

### Slīprīpas aizsarga uzstādīšana un noņemšana

**⚠BRĪDINĀJUMS:** Izmantojot slīprīpas ar ieliektu centru, plāksņu disku, lokanās rīpas vai stieplu suku rīpas, slīprīpas aizsargs jāuzstāda uz darbarīka tā, lai aizsarga slēgtā daļa vienmēr būtu vērsta pret operatoru.

**⚠BRĪDINĀJUMS:** Pārbaudiet, vai slīprīpas aizsargs ir droši nostiprināts ar aiztura sviru, izmantojot vienu no slīprīpas aizsarga atverēm.

**⚠BRĪDINĀJUMS:** Izmantojot abrazīvo griezējripu vai dimanta ripu, lietojiet tikai īpašu griezējripiem paredzētu rīpas aizsargu.

(Dažās Eiropas valstīs, izmantojot dimanta ripu, var lietot parasto aizsargu. Ievērojiet savas valsts noteikumus.)

### Slīprīpai ar ieliektu centru, plāksņu rīpai, lokanajai rīpai, stieplu suku rīpai/ abrazīvai griešanas rīpai, dimanta rīpai

1. Nospiediet bloķēšanas sviru un uzlieciet slīprīpas aizsargu tā, lai uz slīprīpas aizsarga malas esošie izciļņi sakristu ar gultņa korpusa ierobiem.

▶ Att.6: 1. Bloķēšanas svira 2. Ierobis 3. Izvirzījums

2. Spiediet bloķēšanas sviru A bultiņas virzienā un vienlaikus uzspiediet slīprīpas aizsargu, satverot to aiz daļām, kas attēlā apzīmētas ar burtu B.

▶ Att.7: 1. Slīprīpas aizsargs 2. Atvere

**PIEZĪME:** Spiediet slīprīpas aizsargu tieši uz leju. Citādi nav iespējams pilnīgi uzstādīt slīprīpas aizsargu.

3. Saglabājot 2. punktā aprakstīto bloķēšanas sviras un slīprīpas aizsarga pozīciju, grieziet slīprīpas aizsargu C punkta virzienā un tad pielāgojiet slīprīpas aizsarga leņķi atbilstoši veicamajam darbam.

▶ Att.8: 1. Slīprīpas aizsargs 2. Atvere

**PIEZĪME:** Pilnībā uzspiediet slīprīpas aizsargu. Citādi slīprīpas aizsargu nav iespējams pagriezt.

Lai noņemtu slīprīpas aizsargu, izpildiet iepriekš minētās darbības pretējā secībā.

## Slīprīpas ar ieliektu centru vai plāksņu diska uzstādīšana un noņemšana

### Papildu piederumi

**⚠BRĪDINĀJUMS:** Izmantojot slīprīpas ar ieliektu centru vai plāksņu diskus, slīprīpas aizsargs jāuzstāda uz darbarīka tā, lai aizsarga slēgtā daļa vienmēr būtu vērsta operatora virzienā.

**⚠UZMANĪBU:** Pārļiecinieties, ka iekšējā atloka stiprinājuma daļa precīzi iekļaujas slīprīpas ar ieliektu centru vai plāksņu diska iekšējā diametrā. Ja iekšējo atloku uzstādīsiet nepareizajā pusē, var rasties bīstama vibrācija.

Iekšējo atloku uzstādiet uz vārpstas. Iekšējā atloka ieliekto daļu uzstādiet uz taisnās daļas vārpstas apakšdaļā. Slīprīpu ar ieliektu centru vai plāksņu disku uzlieciet uz iekšējā atloka un pieskrūvējiet kontruzgriezni uz vārpstas.

▶ Att.9: 1. Kontruzgrieznis 2. Slīprīpa ar ieliektu centru 3. Iekšējais atloks 4. Stiprinājuma daļa

Lai pievilktu kontruzgriezni, stingri nospiediet vārpstas bloķētāju, lai vārpsta negrieztos, tad ar kontruzgriežņa atslēgu stingri pievelciet to pulksteņrādītāju kustības virzienā.

▶ Att.10: 1. Kontruzgriežņa atslēga 2. Vārpstas bloķētājs

Lai slīprīpu noņemtu, iepriekš norādītās darbības izpildiet pretējā secībā.

### Lokanās rīpas uzstādīšana un noņemšana

### Papildu piederumi

**⚠BRĪDINĀJUMS:** Ja darbarīkam izmantojat lokano ripu, vienmēr lietojiet komplektā iekļauto aizsargu. Lietošanas laikā rīpa var sadrupt, bet aizsargs palīdz mazināt traumu bīstamību.

▶ Att.11: 1. Kontruzgrieznis 2. Lokanā rīpa 3. Balsta starplika 4. Iekšējais atloks

Ievērojiet norādījumus attiecībā uz slīprīpu ar ieliektu centru; tomēr uz rīpas uzlieciet arī balsta starpliku. Montāžas secību skatiet šīs rokasgrāmatas piederumu lappusē.

### Abrazīvās rīpas uzstādīšana un noņemšana

### Papildu piederumi

**PIEZĪME:** Izmantojiet šajā rokasgrāmatā norādītos slīpmašīnas piederumus. Tie jāiegādājas atsevišķi.

### 100 mm modelim

▶ Att.12: 1. Smilšpapīra jeb smalkās slīpēšanas kontruzgrieznis 2. Abrazīvā rīpa 3. Gumijas starplika 4. Iekšējais atloks

1. Iekšējo atloku uzstādiet uz vārpstas.
2. Uz vārpstas uzstādiet gumijas paliktņi.
3. Uzstādiet ripu uz gumijas starplikas un uzskrūvējiet smilšpapīra slīpēšanas kontruzgriezni uz vārpstas.

4. Turiet vārpstu ar vārpstas bloķētāju un ar kontruzgriežņa atsļēgu cieši pievelciet smilšpapīra slīpēšanas kontruzgriežni pulksteņrādītāju kustības virzienā.

Lai noņemtu ripu, izpildiet iepriekš norādītās darbības pretējā secībā.

## 115 mm/125 mm modelim

► **Att.13:** 1. Smilšpapīra jeb smalkās slīpēšanas kontruzgriežnis 2. Abrazīvā ripa 3. Gumijas starplika

1. Uz vārpstas uzstādiet gumijas paliktni.
2. Uzstādiat ripu uz gumijas starplikas un uzskrūvējiet smilšpapīra slīpēšanas kontruzgriežni uz vārpstas.
3. Turiet vārpstu ar vārpstas bloķētāju un ar kontruzgriežņa atsļēgu cieši pievelciet smilšpapīra slīpēšanas kontruzgriežni pulksteņrādītāju kustības virzienā.

Lai noņemtu ripu, izpildiet iepriekš norādītās darbības pretējā secībā.

## Ezynut uzstādīšana vai noņemšana

### Papildu piederumi

**⚠UZMANĪBU:** Neizmantojiet Ezynut ar virsatluku vai leņķa slīpmašīnu, kurai modeļa numura beigās ir burts „F”. Šādi atloki ir ļoti bieži, un vārpsta nevar noturēt visu vītni.

► **Att.14:** 1. Ezynut 2. Abrazīva ripa 3. Iekšējais atloks 4. Vārpsta

Uzstādiat iekšējo atloku, abrazīvo ripu un Ezynut uz vārpstas tādā veidā, lai Makita logotips uz Ezynut atrodas ārpusē.

► **Att.15:** 1. Vārpstas bloķētājs

Cieši piespiediet vārpstas bloķētāju un pieskrūvējiet Ezynut, griežot abrazīvo ripu pulksteņrādītāja virzienā, cik tālu iespējams pagrieziet.

Grieziet ārējo gredzenu Ezynut pretēji pulksteņrādītāja virzienam, lai to atskrūvētu.

► **Att.16:** 1. Bultiņa 2. Ierobs

► **Att.17**

**PIEZĪME:** Ezynut var atskrūvēt ar roku, ja bulta atrodas pret ierobu. Pretējā gadījumā atskrūvēšanai nepieciešama kontruzgriežņa uzgriežņatslēga. Ievietojiet vienu uzgriežņatslēgas tapu atverē un pagrieziet Ezynut pretēji pulksteņrādītāja virzienam.

## Abrazīvās griezējriņas/dimanta ripas uzstādīšana

### Papildu piederumi

**⚠BRĪDINĀJUMS:** Izmantojot abrazīvo griezējriņu vai dimanta ripu, lietojiet tikai īpašu griezējriņām paredzētu ripas aizsargu.

(Dažās Eiropas valstīs, izmantojot dimanta ripu, var lietot parasto aizsargu. Ievērojiet savas valsts noteikumus.)

**⚠BRĪDINĀJUMS:** NEKAD NELIETOJIET griezējriņu sānu slīpēšanai.

► **Att.18:** 1. Kontruzgriežnis 2. Abrazīvā griezējriņa/dimanta ripa 3. Iekšējais atloks 4. Ripas aizsargs abrazīvai griezējriņai/dimanta ripai

Veicot uzstādīšanu, izpildiet norādījumus, kas paredzēti slīpriņai ar ieliektu centru.

**Kontruzgriežņa un iekšējā atloka uzstādīšanas virziena maiņa atkarīga no ripas veida un biezuma.**

Skatiet attiecīgos parametrus.

## 100 mm modelim

**Uzstādot abrazīvo griezējriņu:**

► **Att.19:** 1. Kontruzgriežnis 2. Abrazīvā griezējriņa (plānāka par 4 mm) 3. Abrazīvā griezējriņa (4 mm vai biezāka) 4. Iekšējais atloks

**Uzstādot dimanta ripu:**

► **Att.20:** 1. Kontruzgriežnis 2. Dimanta ripa (plānāka par 4 mm) 3. Dimanta ripa (4 mm vai biezāka) 4. Iekšējais atloks

## 115 mm/125 mm modelim

**Uzstādot abrazīvo griezējriņu:**

► **Att.21:** 1. Kontruzgriežnis 2. Abrazīvā griezējriņa (plānāka par 4 mm) 3. Abrazīvā griezējriņa (4 mm vai biezāka) 4. Iekšējais atloks

**Uzstādot dimanta ripu:**

► **Att.22:** 1. Kontruzgriežnis 2. Dimanta ripa (plānāka par 4 mm) 3. Dimanta ripa (4 mm vai biezāka) 4. Iekšējais atloks

## Kausveida stieplu suku uzstādīšana

### Papildu piederumi

**⚠UZMANĪBU:** Neizmantojiet bojātu un nelīdzsvarotu suku. Bojātas suku izmantošana var palielināt salauztu suku stieplu radītu traumu bīstamību.

► **Att.23:** 1. Kausveida stieplu suka

Akumulatora kasetni izņemiet no darbarīka un darbarīku atlieciet otrādi, lai viegli piekļūtu vārpstai. No vārpstas noņemiet piederumus. Kausveida stieplu suku uzskrūvējiet uz vārpstas un pievelciet ar komplekta uzgriežņatslēgu.

## Stieplu suku ripas uzstādīšana

### Papildu piederumi

**⚠UZMANĪBU:** Neizmantojiet bojātu un nelīdzsvarotu stieplu ripas suku. Bojātas stieplu ripas suku izmantošana var palielināt salauztu stieplu radītu traumu bīstamību.

**⚠UZMANĪBU:** Lietojot stieplu ripas suku, VIENMĒR izmantojiet aizsargu, sekojot, lai viss ripas diametrs iekļaujas aizsargā. Lietošanas laikā ripa var sadrupēt, bet aizsargs palīdz mazināt traumu bīstamību.

► **Att.24:** 1. Stieplu ripas suka

Akumulatora kasetni izņemiet no darbarīka un darbarīku atlieciet otrādi, lai viegli piekļūtu vārpstai. No vārpstas noņemiet piederumus. Stieplu ripas suku uzskrūvējiet uz vārpstas un pievelciet ar uzgriežņatslēgām.

## EKSPLUATĀCIJA

**▲BRĪDINĀJUMS:** Strādājot ar darbarīku, nekad nepieleciet pārmērīgu spēku. Darbarīka svars rada pietiekamu spiedienu. Pārmērīgs spēks vai spiediens uz darbarīka var izraisīt ripas salūšanu, kas ir ļoti bīstami.

**▲BRĪDINĀJUMS:** VIENMĒR nomainiet ripu, ja slīpēšanas laikā darbarīks nokrīt.

**▲BRĪDINĀJUMS:** NEKAD nesītiēt slīpriņu pret apstrādājamo materiālu.

**▲BRĪDINĀJUMS:** Izvairieties no ripas lēkāšanas un iekēršanās, it īpaši stūru, asu malu utt. apstrādē. Tas var izraisīt vadības zaudēšanu un atsitienu.

**▲BRĪDINĀJUMS:** NEKĀDĀ GADĪJUMĀ neizmantojiet darbarīku ar koku zāģēšanas asmeņiem un citiem zāģu asmeņiem. Šādus asmeņus izmantojot slīpmašīnā, var rasties atsitiens, kura ietekmē var zaudēt vadību pār darbarīku un gūt traumas.

**▲UZMANĪBU:** Nekādā gadījumā neieslēdziet darbarīku, ja tas ir saskarē ar apstrādājamo materiālu, jo operators var gūt traumas.

**▲UZMANĪBU:** Darba laikā vienmēr lietojiet aizsargbrilles vai sejas aizsargu.

**▲UZMANĪBU:** Pēc darba vienmēr izslēdziet darbarīku un uzgaidiet, līdz ripa pilnīgi apstājas, pirms noliekat darbarīku.

**▲UZMANĪBU:** VIENMĒR stingri turiet darbarīku ar vienu roku uz korpusa un ar otru uz sānu roktura.

## Slīpēšana un līdzināšana ar smilšpapīru

► Att.25

Ieslēdziet darbarīku un tad nolaidiet slīpriņu vai disku uz materiāla.

Slīpripas vai diska malu turiet apmēram 15 grādu leņķī pret apstrādājamo virsmu.

Jaunās slīpripas iestrādāšanas laikā nelietojiet darbarīku turpgaitas virzienā, citādi tas var iegriezties apstrādājamā materiālā. Kad slīpripas mala lietošanas gaitā ir noapaļojusies, slīpriņu var izmantot darbam gan turpgaitas, gan atpakaļgaitas virzienā.

## Abrāzīvs griezējriņas un dimanta ripas lietošana

### Papildu piederumi

**▲BRĪDINĀJUMS:** Neļaujiet slīpripai iesprūst; neizmantojiet pārmērīgu spiedienu. Negrieziet pārāk dziļi. Ripas pārslodzošana palielina slodzi un iespēju ripai sašķībties vai aizķerties griezumā, kā arī atsitienu, ripas salūšanas un motora pārkaršanās iespējamību.

**▲BRĪDINĀJUMS:** Nesāciet griešanu, darbarīkam atrodoties apstrādājamajā virsmā. Ļaujiet ripai sasniegt pilnu ātrumu un uzmanīgi ievietojiet to griezumā, virzot darbarīku uz priekšu pāri apstrādājamā materiāla virsmai. Ripa var aizķerties, iznākt no griezuma vai radīt atsitienu, ja mehānizētais darbarīks tiek iedarbināts, ripai atrodoties apstrādājamā materiālā.

**▲BRĪDINĀJUMS:** Griešanas laikā nekad nomainiet slīpripas leņķi. Pieliekot griezējriņai sāniski vērstu spēku (piemēram, slīpējot), ripa var saplaisāt un salūzt, radot smagas traumas.

**▲BRĪDINĀJUMS:** Dimanta ripa jālieto perpendikulāri griežamajam materiālam.

Darbības piemērs: darbs ar abrazīvo griešanas ripu  
► Att.26

Darbības piemērs: darbs ar dimanta ripu  
► Att.27

## Lietošana kopā ar kausveida stieplu suku

### Papildu piederumi

**▲UZMANĪBU:** Pārbaudiet sukas darbību, darbinot darbarīku bez slodzes, un nodrošinot, lai neviens neatrastos sukas priekšā vai tās rotācijas plaknē.

**IEVĒRĪBAI:** Izvairieties no pārmērīga spēka piemērošanas, kas var salocīt stieples, lietojot kausveida stieplu suku. Tas var izraisīt priekšlaicīgu salūšanu.

Darbības piemērs: darbs ar kausveida stieplu suku  
► Att.28

## Lietošana kopā ar stieplu ripas suku

### Papildu piederumi

**▲UZMANĪBU:** Pārbaudiet stieplu ripas sukas darbību, darbinot darbarīku bez slodzes un nodrošinot, lai neviens neatrastos stieplu ripas sukas priekšā vai tās rotācijas plaknē.

**IEVĒRĪBAI:** Izvairieties no pārmērīga spiediena, kas var salocīt stieples, lietojot stieplu ripas suku. Tas var izraisīt priekšlaicīgu salūšanu.

Darbības piemērs: darbs ar stieplu sukas ripu  
► Att.29

## APKOPE

**▲UZMANĪBU:** Pirms darbarīka pārbaudes vai apkopes vienmēr pārlicinieties, ka darbarīks ir izslēgts un akumulatora kasetne ir izņemta.

**IEVĒRĪBAI:** Nekad neizmantojiet gāzoliņu, benzīnu, atšķaidītāju, spirtu vai līdzīgus šķidrumus. Tas var radīt izbalēšanu, deformāciju vai plaisas.

Lai saglabātu produkta DROŠU un UZTICAMU darbību, remontdarbus, apkopi un regulēšanu uzticiet veikt tikai Makita pilnvarotam apkopes centram un vienmēr izmantojiet tikai Makita rezerves daļas.

## Gaisa ventilācijas atveru tīrīšana

Gaisa ventilācijas atverēm jābūt tīrām. Regulāri tīriet darbarīka ventilācijas atveres, kā arī ikreiz, kad atveres nosprostojas.

► **Att.30:** 1. Izplūdes atvere 2. Ieplūdes atvere

No ieplūdes atveres noņemiet putekļu aizsargu un nofīriet, lai gaisa cirkulācija būtu brīva.

► **Att.31:** 1. Putekļu aizsargs

**IEVĒRĪBAI:** Kad putekļu aizsargs aizsērējis ar netīrumiem vai svešķermeņiem, izfīriet to. Ja darbarīku turpina lietot ar aizsērējušu putekļu aizsargu, darbarīku var sabojāt.

## PAPILDU PIEDERUMI

**▲UZMANĪBU:** Šādi piederumi un papildierīces tiek ieteiktas lietošanai ar šajā rokasgrāmatā aprakstīto Makita darbarīku. Izmantojot citus piederumus vai papildierīces, var tikt radīta traumu gūšanas bīstamība. Piederumu vai papildierīci izmantojiet tikai paredzētajam mērķim.

Ja jums vajadzīga palīdzība vai precīzāka informācija par šiem piederumiem, vērsieties savā tuvākajā Makita apkopes centrā.

• Makita oriģinālais akumulators un lādētājs

► **Att.32**

-	100 mm modelis	115 mm modelis	125 mm modelis
1	Rokturis 36		
2	Ripas aizsargs (slīpripi)		
3	Iekšējais atloks		
4	Slīpripa ar ieliektu centru/plāksņu disks		
5	Kontruzgrieznis		
6	Balsta starplika		
7	Lokanā ripa		
8	Iekšējais atloks un gumijas starplika 76	Gumijas starplika 100	Gumijas starplika 115
9	Abrazīvā ripa		
10	Smilšpapīra jeb smalkās slīpēšanas kontruzgrieznis		
11	Stieplu ripas suka		
12	Kausveida stieplu suka		
13	Ripas aizsargs (griezējripi) *1		
14	Abrazīvā griezējripi/dimanta ripa		
-	Kontruzgriezņa atslēga		

**PIEZĪME:** \*1 Dažās Eiropas valstīs, lietojot dimanta ripu, abas ripas puses sedzošā, īpašā aizsarga vietā var izmantot parasto aizsargu. Ievērojiet savas valsts normatīvus.

**PIEZĪME:** Daži sarakstā norādītie izstrādājumi var būt iekļauti instrumenta komplektācijā kā standarta piederumi. Tie dažādās valstīs var būt atšķirīgi.



## SPECIFIKACIJOS

Modelis:	GA011G	GA012G	GA013G	GA014G	GA015G	GA016G
Disko skersmuo	100 mm (4")	115 mm (4-1/2")	125 mm (5")	100 mm (4")	115 mm (4-1/2")	125 mm (5")
Didž. disko storis	6,4 mm	7,2 mm		6,4 mm	7,2 mm	
Veleno sriegis	M10	M14 arba 5/8" (atsižvelgiant į šalį)		M10	M14 arba 5/8" (priklauso nuo šalies)	
Vardinis greitis (n)	8 500 min <sup>-1</sup>					
Bendrasis ilgis	su BL4025	398 mm				
	su BL4040	410 mm				
Grynasis svoris	2,8–3,4 kg	3,0–3,6 kg		2,8–3,3 kg	2,9–3,5 kg	2,9–3,6 kg
Nominali įtampa	Nuol. sr. 36 V–40 V maks.					

- Atliekame testinius tyrimus ir nuolatos tobuliname savo gaminius, todėl čia pateikiamos specifikacijos gali būti keičiamos be įspėjimo.
- Skirtingose šalyse specifikacijos gali skirtis.
- Svoris gali priklausyti nuo priedo (-ų), įskaitant akumuliatoriaus kasetę. Lengviausias ir sunkiausias deriniai pagal EPTA 2014 m. sausio mėn. procedūrą yra parodyti lentelėje.

## Tinkama akumuliatoriaus kasetė ir (arba) įkroviklis

Akumuliatoriaus kasetė	BL4025 / BL4040
Įkroviklis	DC40RA

- Atsižvelgiant į gyvenamosios vietos regioną, kai kurios pirmiau nurodytos akumuliatoriaus kasetės ir įkrovikliai gali būti neprieinami.

**⚠️ SPĖJIMAS:** Naudokite tik akumuliatoriaus kasetes ir įkroviklius, kurie nurodyti anksčiau. Naudojant bet kurias kitas akumuliatoriaus kasetes ir įkroviklius, gali kilti sužeidimo ir gaisro pavojus.

## Numatytoji naudojimo paskirtis

Įrankis yra skirtas šlifuoti, šlifuoti šlifavimo popieriumi, metalui ir akmeniui pjauti nenaudojant vandens.

## Triukšmas

Įprastas triukšmo A lygis, nustatytas pagal EN60745-2-3:

Modelis	Garso slėgio lygis (L <sub>pa</sub> ): (dB (A))	Garso galios lygis (L <sub>wa</sub> ): (dB (A))	Paklaida (K): (dB (A))
GA011G	81	92	3
GA012G	81	92	3
GA013G	82	93	3
GA014G	81	92	3
GA015G	81	92	3
GA016G	82	93	3

**PASTABA:** Paskelbta (-os) triukšmo reikšmė (-ės) nustatyta (-os) pagal standartinį testavimo metodą ir ji galima naudoti vienam įrankiui palyginti su kitu.

**PASTABA:** Paskelbta (-os) triukšmo reikšmė (-ės) taip pat gali būti naudojama (-os) norint preliminariai įvertinti triukšmo poveikį.

**⚠️JSPĖJIMAS:** Dėvėkite ausų apsaugą.

**⚠️JSPĖJIMAS:** Faktiškai naudojant elektrinį įrankį, keliamo triukšmo dydis gali skirtis nuo paskelbtos (-ų) reikšmės (-ių), priklausomai nuo būdų, kuriais yra naudojamas šis įrankis, ir ypač nuo to, kokio tipo ruošinys apdirbamas.

**⚠️JSPĖJIMAS:** Siekdami apsaugoti operatorių, būtina įvertinkite saugos priemones, remdamiesi vibracijos poveikio įvertinimu esant faktinėms naudojimo sąlygoms (atsižvelgdami į visas darbo ciklo dalis, pavyzdžiui, ne tik kiek laiko įrankis veikia, bet ir kiek kartų jis yra išjungiamas bei kai jis veikia be apkrovų).

## Vibracija

Vibracijos bendroji vertė (trirašio vektorius suma) nustatyta pagal EN60745-2-3 standartą:

**Darbo režimas: paviršiaus šlifavimas naudojant normalią šoninę rankeną**

Modelis	Vibracijos emisija ( $a_{h, AG}$ ): ( $m/s^2$ )	Paklaida (K): ( $m/s^2$ )
GA011G	4,5	1,5
GA012G	5,0	1,5
GA013G	6,0	1,5
GA014G	4,5	1,5
GA015G	5,0	1,5
GA016G	6,0	1,5

**Darbo režimas: paviršiaus šlifavimas naudojant antivibracinę šoninę rankeną**

Modelis	Vibracijos emisija ( $a_{h, AG}$ ): ( $m/s^2$ )	Paklaida (K): ( $m/s^2$ )
GA011G	4,5	1,5
GA012G	5,0	1,5
GA013G	6,5	1,5
GA014G	4,5	1,5
GA015G	5,0	1,5
GA016G	6,5	1,5

**Darbo režimas: diskinis šlifavimas naudojant normalią šoninę rankeną**

Modelis	Vibracijos emisija ( $a_{h, AG}$ ): ( $m/s^2$ )	Paklaida (K): ( $m/s^2$ )
GA011G	2,5 $m/s^2$ arba mažiau	1,5
GA012G	2,5	1,5
GA013G	3,0	1,5
GA014G	2,5 $m/s^2$ arba mažiau	1,5
GA015G	2,5	1,5
GA016G	3,0	1,5

**Darbo režimas: diskinis šlifavimas naudojant antivibracinę šoninę rankeną**

Modelis	Vibracijos emisija ( $a_{h, AG}$ ): ( $m/s^2$ )	Paklaida (K): ( $m/s^2$ )
GA011G	2,5 $m/s^2$ arba mažiau	1,5
GA012G	2,5	1,5
GA013G	3,0	1,5
GA014G	2,5 $m/s^2$ arba mažiau	1,5
GA015G	2,5	1,5
GA016G	3,0	1,5

**PASTABA:** Paskelbta (-os) vibracijos bendroji (-osios) reikšmė (-ės) nustatyta (-os) pagal standartinį testavimo metodą ir ji galima naudoti vienam įrankiui palyginti su kitu.

**PASTABA:** Paskelbta (-os) vibracijos bendroji (-osios) reikšmė (-ės) taip pat gali būti naudojama (-os) norint preliminariai įvertinti vibracijos poveikį.

**⚠️ ĮSPĖJIMAS:** Faktiškai naudojant elektrinį įrankį, keliamos vibracijos dydis gali skirtis nuo paskelbtos (-ų) reikšmės (-ių), priklausomai nuo būdų, kuriais yra naudojamas šis įrankis, ir ypač nuo to, kokio tipo ruošinys apdirbamas.

**⚠️ ĮSPĖJIMAS:** Siekdami apsaugoti operatorių, būtinai įvertinkite saugos priemonės, remdamiesi vibracijos poveikio įvertinimu esant faktinėms naudojimo sąlygoms (atsižvelgdami į visas darbo ciklo dalis, pavyzdžiui, ne tik kiek laiko įrankis veikia, bet ir kiek kartų jis yra išjungiamas bei kai jis veikia be apkrovų).

**⚠️ ĮSPĖJIMAS:** Paskelbtasis keliamos vibracijos dydis galioja naudojant šį elektrinį įrankį pagrindiniams, numatytiems darbams atlikti. Tačiau, jeigu įrankis naudojamas kitiems darbams atlikti, keliamos vibracijos dydis gali būti kitoks.

## EB atitikties deklaracija

### Tik Europos šalims

EB atitikties deklaracija yra pridama kaip šio instrukcijų vadovo A priedas.

## SAUGOS ĮSPĖJIMAI

### Bendrieji įspėjimai dirbant elektriniais įrankiais

**⚠️ ĮSPĖJIMAS:** Perskaitykite visus saugos įspėjimus, instrukcijas, iliustracijas ir techninius duomenis, pateiktus kartu su šiuo elektriniu įrankiu. Nesilaikant visų toliau išvardytų instrukcijų galima patirti elektros smūgi, gali kilti gaisras ir (arba) galima sunkiai susižaloti.

## Išsaugokite visus įspėjimus ir instrukcijas, kad galėtumėte jas peržiūrėti ateityje.

Terminas „elektrinis įrankis“ pateiktuose įspėjimuose reiškia į maitinimo tinklą jungiamą (laidinį) elektrinį įrankį arba akumuliatoriaus maitinamą (belaidį) elektrinį įrankį.

### Įspėjimai dėl belaidžio šlifavimo saugos

Bendri saugos įspėjimai šlifuojant, šlifuojančiam šlifavimo popieriui, šveičiant vieliniu šepetėliu ir atliekant šlifavimo įrenginio įrenginio darbus:

1. Šis elektrinis įrankis skirtas naudoti kaip šlifavimo staklės, šlifuojuvas šlifavimo popieriui, vielinis šepetys ar pjaustymo įrankis. Perskaitykite visus saugumo įspėjimus, instrukcijas, iliustracijas bei technines sąlygas, pateikiamas kartu su šiuo elektriniu įrankiu. Dėl toliau pateiktų instrukcijų nesilaikymo gali kilti elektros smūgio, gaisro ir (arba) rimto sužeidimo pavojus.
2. Su šiuo elektriniu įrankiu nerekomenduojama atlikti tokių darbų kaip poliravimas. Darbai, kuriems šis elektrinis įrankis nėra skirtas, gali kelti pavojų bei sąlygoti susižeidimą.
3. Nenaudokite priedų, kurie nėra specialiai sukurti ir rekomenduojami įrankio gamintojo. Nors priedą ir galima pritaisyti prie jūsų elektrinio įrankio, tai vistiek neužtikrina saugios eksploatacijos.

4. Nominalusis priedo greitis turi būti bent jau lygus maksimaliam greičiui, nurodytam ant elektrinio įrankio. Priedai, kurie veikia greičiau už vardinį greitį, gali sulūžti ir atsiskirti.
5. Priedo išorinis skersmuo ir storis turi atitikti elektrinio įrankio pajėgumo kategoriją. Netinkamo dydžio priedų negalima tinkamai apsaugoti skydais ar valdyti.
6. Srieginių priedų jungiamoji dalis privalo atitikti šlifavimo veleno sriegį. Priedų, montuojamų naudojant junges, angos velenui dydis privalo tiksliai atitikti jungės fiksavimo skersmenį. Naudojami priedai, kurių dydis neatitinka elektrinio įrankio dalių, prie kurių jie montuojami, dydžio, išbalansuos įrankį, sukels pernelyg didelę vibraciją bei įrankio valdymo praradimą.
7. Nenaudokite sugadinto priedo. Kiekvieną kartą prieš naudodami įrankį patikrinkite jo priedus, pvz., ar šlifavimo diskai nenu daužyti ir nesutrūkę, ar nėra atraminį padėklų įtrūkių, plyšių ar jie ne per daug nusidėvėję, ar nėra iškritusių vielinio šepetėlio vielų ir ar jos nenulūžusios. Jei elektrinis įrankis ar jo priedas buvo numestas, patikrinkite, ar nėra pažeidimų, arba naudokite nepažeistą priedą. Patikrinę ir įtaisę priedą, atstokite bei nuveskite stebinčiuosius toliau nuo besisukančio priedo plokštumos ir paleiskite elektrinį įrankį veikti maksimaliu greičiu be apkrovos 1 minutę. Paprastai per šį tikrinimo laiką pažeisti priedai turėtų suskilti.
8. Naudokite asmeninės apsaugos priemones. Priklausomai nuo pritaikymo, naudokite apsauginį veido skydelį, tamsius arba apsauginius akinius. Kaip pridera, dėvėkite apsaugos nuo dulkių kaukę, klausos apsaugą, pirštines ir dirbtuvės prijuostę, sulaikančią smulkias abrazyvus ar ruošinio skeveldras. Akių apsauga turi sulaikyti skriejančias nuolaužas, susidarusias įvairių operacijų metu. Apsaugos nuo dulkių kaukė arba respiratorius turi filtruoti darbo metu susidariusias dalelytes. Dėl intensyvaus ilgalaikio triukšmo galima prarasti klausą.
9. Laikykite stebinčiuosius toliau nuo darbo vietos. Kiekvienas, užeinantis į darbo vietą, turi dėvėti asmeninę apsaugos aprangą. Ruošinio ar sulūžusio priedo skeveldros gali nuskriti toliau ir sužeisti asmenis už tuo metu atliekamo darbo zonas.
10. Jei dirbant įrankio įrankis gali kliudyti paslėptus laidus, elektrinį įrankį laikykite tik už izoliuotų paviršių. Įrankiui prilietus laidą, kuriame yra įtampa, neizoliuotose metalinėse elektrinio įrankio dalyse taip pat gali atsirasti įtampa, dėl kurios operatorius gali patirti elektros smūgį.

11. **Niekada nepadėkite šio elektrinio įrankio, kol jo priedas nėra visiškai sustojęs.** Greitai besisukantis priedas gali užkabinti paviršių ir jūs galite nebesuvaldyti elektrinio įrankio.
12. **Nešant įrankį prie savo šono, jis turi būti išjungtas.** Greitai besisukantis priedas gali atsitiktinai užkabinti jūsų drabužius ir jus sužaloti.
13. **Reguliariai išvalykite elektrinio įrankio oro ventiliacijos angas.** Variklio ventiliatorius traukia dulkes į korpuso vidų ir dėl per didelį metalo dulkių susikaupimą gali kilti su elektros įranga susijęs pavojus.
14. **Nenaudokite elektrinio įrankio būdami netoliese degių medžiagų.** Nuo kibirkščių degiosios medžiagos gali užsidegti.
15. **Nenaudokite priedų, kuriems reikalingi skysti aušinimo skysčiai.** Naudojant vandenį ar kitą skystį gali ištikti mirtina elektros trauma ar elektros smūgis.

#### Atatranka ir su ja susiję įspėjimai

Atatranka yra staigi reakcija į suspaustą arba sugriebtą besisukantį diską, atraminį padėklą, šepetį ar kitą priedą. Suspaudimas arba sugnybimas sukelia staigų besisukančio priedo sulaikymą, dėl to nevaldomas elektrinis įrankis sulaikymo taške verčiamas judėti priešinga priedo sukimosi kryptimi.

Pavyzdžiui, jeigu šlifavimo diską suspaudžia ruošinys, disko kraštas, kuris patenka į suspaudimo tašką, gali įsikirsti į medžiagos paviršių ir dėl to diskas atšoks. Diskas gali atšokti į operatorių arba nuo jo; tai priklauso nuo disko sukimosi krypties suspaudimo metu. Šlifavimo diskas tokiomis sąlygomis gali ir sulūžti.

Atatranka yra piktnaudžiavimu elektriniu įrankiu ir (arba) netinkamų darbo procedūrų ar sąlygų rezultatas, jos galima išvengti vadovaujantis toliau nurodytomis atsargumo priemonėmis.

1. **Tvirtai laikykite elektrinį įrankį ir stovėkite taip, kad jūsų kūnas bei ranka netrukdytų priešintis atatranks jėgoms.** Visada naudokite papildomą rankeną, jei tokia yra, kad įjungimo metu galėtumėte maksimaliai valdyti atatranką ar sukamojo momento reakcijas. Operatorius gali valdyti sukamojo momento reakciją bei atatranks jėgą, jei imasi atitinkamų atsargumo priemonių.
2. **Niekada nelaikykite rankos šalia besisukančio priedo.** Priedas gali atsitrenkti į jūsų ranką.
3. **Nebūkite toje zonoje, kurios link judės elektrinis įrankis, jei įvyks atatranka.** Atatranka pastums įrankį priešinga disko sukimosi kryptimi suspaudimo taške.
4. **Ypač saugokitės apdirbdami kampus, aštirus kraštus ir pan. Stenkitės priedo nesutrenkti ir neužkliudyti.** Besisukantis priedas gali užsikabinti ar atsitrenkti į kampus, aštirus kraštus ir sukelti atatranką, o dėl to galima nebesuvaldyti įrankio.
5. **Nenaudokite pjūklo grandinės su medį raizančiais ašmenimis ar dantytos pjūklo grandinės.** Tokie diskai dažnai sukelia atatranką ir įrankio suvaldymo problemų.

#### Specialūs saugos įspėjimai atliekant šlifavimo ir abrazyvinio pjaustymo darbus:

1. **Naudokite tik tuos diskus, kurie rekomenduojami naudoti su elektriniu įrankiu, ir specialią tam diskui skirtą apsaugą.** Diskai, kurie netinka elektriniam įrankiui, negali būti tinkamai apsaugoti ir yra nesaugūs.

2. **Sumontuotų diskų su įspaustu centru šlifavimo paviršius privalo būti žemiau apsauginio gaubto krašto plokštumas.** Netinkamai sumontuoto disko, kuris kyšo pro apsauginio gaubto krašto plokštumą, nebus galima tinkamai apsaugoti.
3. **Apsauga turi būti tinkamai pritvirtinta prie elektrinio įrankio, o siekiant apsaugoti kuo labiau, uždėta taip, kad kuo mažesnė disko dalis galėtų paveikti operatorių.** Apsauginis gaubtas padeda apsaugoti operatorių nuo atsklusių disko dalių ir netyčinio prisilietimo prie disko bei žiežirbų, kurios gali uždegti drabužius.
4. **Diskai turi būti naudojami tik pagal rekomenduojamą paskirtį.** Pavyzdžiui, nešlifukokite pjovimo disko šonu. Šlifuojantys pjovimo diskai yra skirti periferiniam šlifavimui, todėl diskus veikiančios šoninės jėgos juos gali suskaldyti.
5. **Visada naudokite tik nesugadintus diskų junges, kurios pasirinktam diskui yra tinkamo dydžio bei formos.** Tinkamos diskų jungės prilaiko diską, mažindamos disko trūkimo tikimybę. Pjovimo diskams skirtos jungės gali skirtis nuo šlifavimo diskų jungių.
6. **Nenaudokite nusidėvėjusių diskų nuo didesnių elektrinių įrankių.** Didesniems elektriniams įrankiams skirti diskai netinka greičiau besisukančiam mažesniai įrankiui, jie gali sutrukinėti į tūkstančius dalių.

#### Papildomi specialūs saugos įspėjimai atliekant abrazyvinio pjaustymo darbus:

1. **Saugokite, kad pjovimo diskas neįstrigtų, ir pernelyg nespaukite.** Nemėginkite atlikti pernelyg gilių pjūvių. Per stipriai spaudžiant, padidėja apkrova ir disko persikreipimo ar užstrigimo pjūvyje tikimybė bei atatranks ar disko lūžimo galimybė.
2. **Nestovėkite vienoje eilėje su besisukančiu disku ir už jo.** Kai diskas veikimo metu juda nuo jūsų kūno, galima atatranka gali pastumti besisukančią diską ir elektrinį įrankį tiesiai į jus.
3. **Kai diskas užstrigo arba kai įjunkimas dėl kitų priežasčių nutraukiamas, išjunkite elektrinį įrankį ir nejudinkite jo, kol diskas visiškai nenustos sukis.** Niekada nebandykite išimti pjovimo disko iš pjūvio, kai diskas sukasi, nes gali susidaryti atatranka. Ištrinkite ir imkitės tinkamų veiksmų, kad pašalintumėte disko užstrigimo priežastį.
4. **Nepradėkite iš naujo pjauti, kai diskas ruošinyje.** Leiskite, kad diskas pasiektų visą greitį ir tik tada atsargiai įleiskite jį į pjūvį. Diskas gali įstrigti, iššokti arba atšokti, jeigu elektrinis įrankis bus iš naujo paleistas diskui esant ruošinyje.
5. **Plokštes ar kitus per didelio dydžio ruošinius paremkite ir taip sumažinkite pavojų, kad diskas bus suspaustas ir atšoks.** Dideli ruošiniai linksta dėl savo pačių svorio. Ruošinių reikia paremti iš abiejų disko pusių, šalia pjovimo linijos ir prie ruošinio krašto.
6. **Ypač būkite atsargūs įpjaudami sienas arba kitas aklines vietas.** Atsikisęs diskas gali prapjauti dujų ar vandens vamzdžius, elektros laidus arba objektus, kurie gali sukelti atatranką.

Specialūs saugos įspėjimai atliekant šlifavimo darbus šlifavimo popieriumi:

1. Nenaudokite itin didelio dydžio šlifavimo disko popieriaus. Laikykitės gamintojo rekomendacijų, kai renkatės šlifavimo popierių. Didensnis šlifavimo popierius, kuris išsikiša už šlifavimo padėklo ribų, gali sukelti įplėšimo pavojų, dėl to gali lūžti diskas arba įvykti atatranka.

Specialūs saugos įspėjimai dirbant su vieliniu šepėčiu:

1. Atkreipkite dėmesį, kad vieliniai šereliai krinta iš šepėčio netgi įprasto naudojimo metu. Nespauskite per daug šerelių, naudodami didelę jėgą šepėčiu. Vieliniai šereliai gali lengvai pradurti ploną drabužių ir (arba) odą.
2. Jeigu rekomenduojama naudoti vielinio šepėčio apsauga, neleiskite, kad vielinis diskas ar šepetys būtų naudojami be apsaugos. Vielinio disko ar šepėčio skersmuo dėl darbinio krūvio ir išcentrinųjų jėgų poveikio gali padidėti.

Papildomi saugos įspėjimai:

1. Naudodami nuspaustus centrinius šlifavimo diskus, būtina naudokite tik stiklo pluoštus sustiprintus diskus.
2. Su šiuo šlifuoekliu NIEKADA NENAUDOKITE taurelės formos akmeninio šlifavimo disko. Šis šlifuoeklis nėra skirtas naudoti su šio tipo diskais, todėl naudojant tokį gaminį galima sunkiai susižeisti.
3. Nepažeiskite veleno, jungės (ypač montavimo paviršiaus) ir fiksavimo galvutės. Dėl šių dalių pažeidimų gali lūžti diskas.
4. Prieš įjungdami jungiklį patikrinkite, ar diskas nesiliečia su ruošiniu.
5. Prieš naudodami įrankį su ruošiniu, leiskite jam kurį laiką veikti be apkrovos. Stebėkite, ar nėra vibracijos ar klibėjimo, rodančių, jog blogai surinkta ar kad blogai subalansuotas diskas.
6. Šlifavimui naudokite nurodyto paviršiaus diską.
7. Nepalikite veikiančio įrankio. Naudokite įrankį tik laikydami rankomis.
8. Nelieskite ruošinio iškart po naudojimo; jis gali būti itin karštas ir nudeginti odą.
9. Laikykitės gamintojo nurodymų apie teisingą diskų uždėjimą ir naudojimą. Su diskais elkitės ir juos laikykite rūpestingai.
10. Nenaudokite atskirų mažinimo įvorių arba adapterių, skirtų didelių skylių šlifuojamiesiems diskams uždėti.
11. Naudokite tik šiam įrankiui nurodytas junges.
12. Jei naudojate įrankius, kuriems skirti diskai su sriegiu, įsitinkinkite, ar sriegis diske yra pakankamai ilgas, kad tiktų veleno ilgis.
13. Patikrinkite, ar ruošinys yra tinkamai palaikomas.
14. Atkreipkite dėmesį, kad išjungus įrankį diskas toliau sukasi.
15. Jei darbo vieta yra ypač karšta ir drėgna arba labai užteršta laidžiomis dulkėmis, naudokite užtrumpinimo pertraukiklį (30 mA), kad užtikrintumėte naudojimo saugumą.
16. Nenaudokite įrankio su bet kokiais medžiagomis, kuriose yra asbesto.

17. Kai naudojate pjovimo diską, visuomet dirbkite su dulkes renkančia disko apsauga, kurios reikalauja vietinės taisyklės.
18. Pjovimo diskų negalima spausti iš šonų.
19. Nenaudokite medžiaginių pirštinių darbo metu. Medžiaginių pirštinių audinio pluoštų gali patekti į įrankį, todėl įrankis gali sugesti.

## SAUGOKITE ŠIAS INSTRUKCIJAS.

**ĮSPĖJIMAS: NELEISKITE**, kad patogumas ir gaminio pažinimas (igyjamas pakartotinai naudojant) susilpnintų griežtą saugos taisyklių, taikytinų šiam gaminiui, laikymąsi. Dėl NETINKAMO NAUDOJIMO arba saugos taisyklių, kurios pateiktos šioje instrukcijoje, nesilaikymo galima rimtai susižeisti.

## Svarbios saugos instrukcijos, taikomos akumulatoriaus kasetei

1. Prieš naudodami akumulatoriaus kasetę, perskaitykite visas instrukcijas ir perspėjimus ant (1) akumuliatorių įkroviklio, (2) akumuliatorių ir (3) akumuliatorių naudojančio gaminio.
2. Neardykite ir negadinkite akumulatoriaus kasetės. Dėl to ji gali užsidegti, per daug įkaisti arba sprogti.
3. Jei įrankio darbo laikas žymiai sutrumpėjo, nedelsdami nutraukite darbą su įrankiu. Tai gali kelti perkaitimo, nudegimų ar net sprogtimo pavojų.
4. Jei elektrolitas pateko į akis, plaukite jas tyru vandeniu ir nedelsdami kreipkitės į gydytoją. Gali kilti regėjimo praradimo pavojus.
5. Neužtrumpinkite akumulatoriaus kasetės:
  - (1) Nelieskite kontaktų degiomis medžiagomis.
  - (2) Venkite laikyti akumulatoriaus kasetę kartu su kitais metaliniais daiktais, pavyzdžiui, vinimis, monetomis ir pan.
  - (3) Saugokite akumulatoriaus kasetę nuo vandens ir lietaus.Trumpasis jungimas akumuliatoriuje gali sukelti stiprią srovę, perkaitimą, galimus nudegimus ar net akumulatoriaus gedimą.
6. Nelaikykite įrankio ir akumulatoriaus kasetės vietoje, kur temperatūra gali pasiekti ar viršyti 50 °C.
7. Nedeginkite akumulatoriaus kasetės, net jei yra stipriai pažeista ar visiškai susidėvėjusi. Ugnyje akumulatoriaus kasetė gali sprogti.
8. Akumulatoriaus kasetės nekalkite, nepjauskykite ir nemėtykite ir taip pat į ją netrankykite kietu daiktu. Taip elgiantis, ji gali užsidegti, per daug įkaisti arba sprogti.
9. Nenaudokite pažeisto akumulatoriaus.
10. Įdėtoms ličio jonų akumuliatoriams taikomi Pavojųjų prekių teisės akto reikalavimai. Komercinis transportas, pvz., trečiųjų šalių, prekių vežimo atstovų, turi laikytis specialaus reikalavimo ant pakuotės ir ženklavimo. Norėdami paruošti siųstiną prekę, pasitarkite su pavojingų medžiagų specialistu. Be to, laikykitės galimai išsamesnių nacionalinių reglamentų.

Užklijuokite juosta arba padenkite atvirus kontaktus ir supakuokite akumuliatorių taip, kad jį pakuo-  
tėje nejudėtų.

11. Kai išmetate akumulatoriaus kasetę, išimkite ją iš įrankio ir išmeskite saugioje vietoje. Vadovaukitės vietos reglamentais dėl akumuliatorių išmetimo.
12. Baterijas naudokite tik su „Makita“ nurodytais gaminiais. Baterijas įdėjus į netinkamus gaminius gali kilti gaisras, gaminys pernelyg kaisti, kilti sprogimas arba pratekėti elektrolitas.
13. Jei įrankis bus ilgą laiką nenaudojamas, akumuliatorių būtina išimti iš įrankio.
14. Darbo metu ir po akumulatoriaus kasetę gali būti įkaitusi ir dėl to nudeginti. Imdami akumuliatoriaus kasetes, būkite atsargūs.
15. Tuojau pat po naudojimo nelieskite įrankio gnybtų, nes jie gali būti įkaitę tiek, kad nudegins.
16. Nelieskite, kad į akumuliatoriaus kasetės gnybtus, angas ir griovelius patektų drožlių, dulkių ar žemių. Dėl to įrankis ar akumuliatoriaus kasetė gali imti prastai veikti ar sugesti.
17. Jeigu įrankis nėra pritaikytas naudoti šalia aukštos įtampos elektros linijų, akumuliatoriaus kasetės nenaudokite šalia aukštos įtampos elektros linijų. Dėl to gali sutrikti įrankio ar akumuliatoriaus kasetės veikimas arba jie gali sugesti.

## SAUGOKITE ŠIAS INSTRUKCIJAS.

**▲PERSPĖJIMAS:** Naudokite tik originalų „Makita“ akumuliatorių. Neoriginalaus „Makita“ arba pakeisto akumuliatoriaus naudojimas gali nulemti gaisrą, asmens sužalojimą ir pažeidimą. Tai taip pat panaikina „Makita“ suteikiamą „Makita“ įrankio ir įkroviklio garantiją.

## Patarimai, ką daryti, kad akumuliatorius veiktų kuo ilgiau

1. Pakraukite akumuliatoriaus kasetę prieš ją visiškai išsikraunant. Visuomet nustokite naudoti įrankį ir pakraukite akumuliatoriaus kasetę, kai pastebite, kad įrankio galia sumažėjo.
2. Niekada nekraukite iki galo įkrautos akumuliatoriaus kasetės. Perkraunant trumpėja akumuliatoriaus eksploatacijos laikas.
3. Akumuliatoriaus kasetę kraukite esant kambario temperatūrai 10 - 40 °C. Prieš pradėdami krauti, leiskite įkaitusiai akumuliatoriaus kasetei atvėsti.
4. Kai akumuliatoriaus kasetės nenaudojate, ją išimkite iš įrankio ar įkroviklio.
5. Įkraukite akumuliatoriaus kasetę, jei jos nenaudojate ilgą laiką (ilgiau nei šešis mėnesius).

## VEIKIMO APRAŠYMAS

**▲PERSPĖJIMAS:** Prieš pradėdami reguliuoti arba tikrinti įrankio veikimą, visuomet būtina išjunkite įrankį ir išimkite akumuliatoriaus kasetę.

## Akumuliatoriaus kasetės uždėjimas ir nuėmimas

**▲PERSPĖJIMAS:** Prieš įdėdami arba išimdami akumuliatoriaus kasetę, visada išjunkite įrankį.

**▲PERSPĖJIMAS:** Įdėdami arba išimdami akumuliatoriaus kasetę, tvirtai laikykite įrankį ir akumuliatoriaus kasetę. Jeigu įrankį ir akumuliatoriaus kasetę laikysite netvirtai, jie gali išslįsti iš jūsų rankų, todėl įrankis ir akumuliatoriaus kasetė gali būti sugadinti, o naudotojas sužalotas.

- **Pav.1:** 1. Raudonas indikatorius 2. Mygtukas 3. Akumuliatoriaus kasetė

Jei norite išimti akumuliatoriaus kasetę, ištraukite ją iš įrankio, stumdami mygtuką, esantį kasetės priekyje.

Jei norite įdėti akumuliatoriaus kasetę, sulygiuokite liežuvelį ant akumuliatoriaus kasetės su grioveliu korpuse ir įstumkite į jai skirtą vietą. Įdėkite iki galo, kol spragtelėdama užsifiksuos. Jeigu matote raudoną indikatorių viršutinėje mygtuko pusėje, ji nėra visiškai užfiksuota.

**▲PERSPĖJIMAS:** Akumuliatoriaus kasetę visada įkiškite iki galo, kol nebematysite raudono indikatoriaus. Priešingu atveju ji gali atsitiktinai iškristi iš įrankio, sužeisti jus arba aplinkinius.

**▲PERSPĖJIMAS:** Nekiškite akumuliatoriaus kasetės jėga. Jeigu kasetė sunkiai lenda, ją kišate netinkamai.

## Likusios akumuliatoriaus galios rodymas

Paspauskite akumuliatoriaus kasetės tikrinimo mygtuką, kad būtų rodoma likusi akumuliatoriaus energija. Maždaug trims sekundėms užsidegs indikatorių lemputės.

- **Pav.2:** 1. Indikatorių lemputės 2. Tikrinimo mygtukas

Indikatorių lemputės			Likusi galia
Šviečia	Nešviečia	Blyksi	
■	□	▣	
■ ■ ■ ■			75 - 100 %
■ ■ ■ □			50 - 75 %
■ ■ □ □			25 - 50 %
■ □ □ □			0 - 25 %
▣ □ □ □			Įkraukite akumuliatorių.
■ ■ □ □			Galimai įvyko akumuliatoriaus veikimo triktis.
□ □ ■ ■			

**PASTABA:** Rodmuo gali šiek tiek skirtis nuo faktinės energijos lygio – tai priklauso nuo naudojimo sąlygų ir aplinkos temperatūros.

## Įrankio / akumuliatoriaus apsaugos sistema

Įrankyje įrengta įrankio / akumuliatoriaus apsaugos sistema. Ši sistema automatiškai atjungia variklio maitinimą, kad įrankis ir akumuliatorius ilgiau veiktų. Įrankis automatiškai išsijungs darbo metu esant vienai iš toliau nurodytų įrankio arba akumuliatoriaus darbo sąlygų:

### Apsauga nuo perkrovos

Kai įrankis / akumuliatorius naudojamas taip, kad neįprastai padidėja elektros srovė, įrankis automatiškai išsijungia nepateikiant jokių indikatorių įspėjimų. Tokiu atveju išjunkite įrankį ir nutraukite darbą, dėl kurio kilo įrankio perkrova. Tada vėl įjunkite įrankį.

### Apsauga nuo perkaitimo

Kai įrankis / akumuliatorius perkaista, įrankis automatiškai išsijungia. Prieš vėl įjungdami įrankį, leiskite jam atvėsti.

### Apsauga nuo visiško išekvojimo

Kai akumuliatoriaus įkrovos lygis nepakankamas, įrankis automatiškai išsijungia. Tokiu atveju ištraukite akumuliatorių iš įrankio ir įkraukite jį.

### Apsauginio stabdiklio išjungimas

Pakartotinai suveikus apsaugos sistemai, įrankis yra užblokuotas. Tokiu atveju įrankis neįsijungia net ir pabandžius jį išjungti ir vėl įjungti. Norėdami išjungti apsauginį stabdiklį, išimkite akumuliatorių, įdėkite jį į akumuliatoriaus įkroviklį ir palaukite, kol jis bus įkrautas.

## Ašies fiksatorius

Paspauskite ašies fiksatorių, kad velenas nesisuktų, kai dedate ar nuimate priedus.

► **Pav.3:** 1. Ašies fiksatorius

**PASTABA:** Niekada neįjunkite ašies fiksatoriaus, kai velenas juda. Įrankis galis sugesti.

## Jungiklio veikimas

**▲ PERSPĖJIMAS:** Prieš dėdami keičiamąjį akumuliatorių į įrankį, visada patikrinkite, ar svirtinis jungiklis tinkamai veikia ir atleistas grįžta į padėtį OFF (išjungta).

**▲ PERSPĖJIMAS:** Jūsų pačių saugumui šiame įrankyje įrengta atlaisvinimo svirtis, kuri neleidžia netyčia įjungti įrankio. NIEKADA nenaudokite veikiančio įrankio, jeigu nuspaudėte tik svirtinį jungiklį, nepatraukę atlaisvinimo svirtelės, PRIEŠ pradėdami vėl naudoti įrankį, atiduokite jį suremontuoti į mūsų įgaliotajį techninės priežiūros centrą.

**▲ PERSPĖJIMAS:** Negalima stipriai spausti svirtinio jungiklio, nenuspaudus atlaisvinimo svirtelės. Taip galima sugadinti jungiklį.

**▲ PERSPĖJIMAS:** NIEKADA neužklijuokite lipnia juoste ir nepanaikinkite atlaisvinimo svirtelės paskirties bei funkcijos.

► **Pav.4:** 1. Atlasvinimo svirtelė 2. Svirtinio jungiklis

Įtaisyta atlasvinimo svirtelė apsaugo nuo svirtinio jungiklio atsitiktinio nuspaudimo.

Norėdami įjungti įrankį, patraukite atlasvinimo svirtelę savęs link ir paspauskite svirtinį jungiklį.

Norėdami išjungti įrankį, atleiskite svirtinį jungiklį.

## Apsaugos nuo netyčinio įjungimo funkcija

Jei dedant akumuliatoriaus kasetę bus spaudžiamas svirtinis jungiklis, įrankis nepasileis.

Norėdami įjungti įrankį, pirmiausia atleiskite svirtinį jungiklį. Paskui patraukite atlasvinimo svirtelę, o tada patraukite svirtinį jungiklį.

## Elektroninės sukimo momento kontrolės funkcija

Įrankio elektroniniai įtaisai aptinka situacijas, kuriose diskas arba priedas gali užstrigti. Tokiose situacijose įrankis automatiškai išsijungia, kad velenas nebūtų toliau sukamas (ši funkcija neapsaugo nuo atatrunkos). Norėdami iš naujo įjungti įrankį, pirmiausia išjunkite jį, pašalinkite staigaus užstrigimo priežastį, tada vėl įjunkite įrankį.

## Tolygaus įjungimo funkcija

Tolygus įjungimas slopina įjungimo reakciją.

## Elektrinis stabdys

**Taikoma tik modeliui GA011G / GA012G / GA013G**

Elektrinis stabdys suaktyvinamas išjungus įrankį. Stabdys neveikia atjungus maitinimą, pvz., atsitiktinai ištraukus akumuliatorių, tačiau neišjungus jungiklio.

## SURINKIMAS

**▲ PERSPĖJIMAS:** Prieš pradėdami reguliuoti arba tikrinti įrankio veikimą, visuomet būtina išjunkite įrankį ir išimkite akumuliatoriaus kasetę.

## Šoninės rankenos montavimas

**▲ PERSPĖJIMAS:** Prieš naudodami visuomet įsitikinkite, ar šoninė rankena yra patikimai uždėta.

Prisukite šoninę rankeną patikimai jos vietoje, kaip parodyta paveikslėlyje.

► **Pav.5**

## Disko saugliko uždėjimas ar nuėmimas

**▲JSPĖJIMAS:** Kai naudojate diską su įgaubtu centru, poliravimo diską, lankstųjį diską arba vielinį disko formos šepetėlį, apsauginis disko gaubtas turi būti uždėtas ant įrankio taip, kad uždaras apsauginio gaubto šonas visuomet būtų atsuktas į operatorių.

**▲JSPĖJIMAS:** Įsitikinkite, kad disko saugiklis yra tvirtai užfiksuotas fiksavimo svirtelė vienoje iš disko saugiklio skylių.

**▲JSPĖJIMAS:** Naudodami šlifuojamąjį pjovimo / deimantinį diską, būtinai naudokite tik specialų apsauginį gaubtą, skirtą naudoti su pjovimo diskais.

(Tam tikrose Europos šalyse naudojant deimantinį diską, galima naudoti įprastą apsauginį gaubtą. Vadovaukitės jūsų šalyje galiojančiomis taisyklėmis.)

## Nuspaustam centriniam diskui, poliravimo diskui, lanksčiajam diskui, vieliniam disko formos šepetėliui / šlifuojamajam pjovimo diskui, deimantiniam diskui

1. Spausdami fiksavimo svirtelę, uždėkite disko saugiklį, išsikišimus sutapindami su ant jo esančiomis įrantomis ties guolių dėže.

► **Pav.6:** 1. Fiksavimo svirtelė 2. Įranta 3. Iškyša

2. Stumdami fiksavimo svirtelę link dalies A, įspauskite disko saugiklį, laikydami dalis B, kaip parodyta paveikslėlyje.

► **Pav.7:** 1. Disko saugiklis 2. Anga

**PASTABA:** Spauskite disko saugiklį tiesiai žemyn. Priešingu atveju negalėsite visiškai paspausti disko saugiklio.

3. Laikydami užrakto svirtelę ir disko saugiklį padėtyje, apibūdintoje 2 veiksmė, sukite disko saugiklį link dalies C, tada priklausomai nuo užduoties pakeiskite disko saugiklio kampa.

► **Pav.8:** 1. Disko saugiklis 2. Anga

**PASTABA:** Iki galo paspauskite disko saugiklį. Priešingu atveju negalėsite pasukti disko saugiklio.

Jei norite išimti disko saugiklį, atlikite montavimo procedūrą atvirkščia tvarka.

## Disko su įgaubtu centru arba poliravimo disko uždėjimas ir nuėmimas

### Pasirenkamas priedas

**▲JSPĖJIMAS:** Kai naudojate diską su įgaubtu centru arba poliravimo diską, apsauginis disko gaubtas turi būti uždėtas ant įrankio taip, kad uždaras apsauginio gaubto šonas visuomet būtų atsuktas į operatorių.

**▲PERSPĖJIMAS:** Įsitikinkite, ar vidinės jungės tvirtinimo dalis puikiai telpa į disko su įgaubtu centru / poliravimo disko vidinį skersmenį. Sumontavus vidinę jungę netinkamoje pusėje, gali kilti pavojinga vibracija.

Uždėkite vidinę jungę ant veleno.

Vidinės jungės įranyta dalis būtinai turi būti uždėta ant tiesios dalies ties veleno apačia.

Uždėkite diską su įgaubtu centru / poliravimo diską ant vidinės jungės ir užsukite ant veleno antveržlę.

► **Pav.9:** 1. Fiksavimo veržlė 2. Nuspaustas centrinis diskas 3. Vidinė jungė 4. Tvirtinimo dalis

Jei norite priveržti fiksavimo galvutę, stipriai paspauskite ašies fiksatorių taip, kad velenas negalėtų sukitis, tada pasinaudokite fiksavimo galvutės raktu ir patikimai priveržkite pagal laikrodžio rodyklę.

► **Pav.10:** 1. Fiksavimo galvutės raktas 2. Ašies fiksatorius

Jei norite nuimti diską, laikykitės uždėjimo procedūros atvirkščia tvarka.

## Lanksčiojo disko uždėjimas ir nuėmimas

### Pasirenkamas priedas

**▲JSPĖJIMAS:** Visada naudokite pateiktą apsauginį gaubtą, kai ant įrankio uždėtas lankstusis diskas. Naudojimo metu diskas gali subyrėti, o apsauginis gaubtas sumažina galimybę susižeisti.

► **Pav.11:** 1. Fiksavimo veržlė 2. Lankstusis diskas 3. Atraminis pagrindas 4. Vidinė jungė

Vadovaukitės diskui su įgaubtu centru taikomais nurodymais, bet ant disko taip pat uždėkite atraminį pagrindą. Žr. uždėjimo eilės tvarką, aprašytą šio vadovo priedų puslapyje.

## Šlifavimo disko uždėjimas ir nuėmimas

### Pasirenkamas priedas

**PASTABA:** Naudokite šiame vadove išvardintus papildomus šlifavimo priedus. Juos reikia įsigyti atskirai.

## Naudojant 100 mm modelį

► **Pav.12:** 1. Šlifavimo priedo fiksuojamoji veržlė 2. Šlifavimo diskas 3. Guminis pagrindas 4. Vidinė jungė

1. Uždėkite vidinę jungę ant veleno.
2. Uždėkite ant ašies guminį pagrindą.
3. Uždėkite diską ant guminio pagrindo ir užsukite antveržlę ant veleno.
4. Laikykite veleną su ašies fiksatoriumi ir fiksuojamosios veržlės veržliarakčiu pagal laikrodžio rodyklę gerai priveržkite šlifavimo priedo fiksuojamąją veržlę. Jei norite nuimti diską, laikykitės uždėjimo procedūros atvirkščia tvarka.



## 115 mm / 125 mm modeliui

- **Pav.13:** 1. Šlifavimo priedo fiksuojamoji veržlė  
2. Šlifavimo diskas 3. Guminis pagrindas

1. Uždėkite ant ašies guminį pagrindą.
2. Uždėkite diską ant guminio pagrindo ir užsukite antveržlę ant veleno.
3. Laikykite veleną su ašies fikساتoriumi ir fiksuojamosios veržlės veržliarakčiu pagal laikrodžio rodyklę gerai priveržkite šlifavimo priedo fiksuojamąjį veržlę.

Jei norite nuimti diską, laikykitės uždėjimo procedūros atvirkščia tvarka.

## „Eznut“ įdėjimas ir išėmimas

### Pasirenkamas priedas

**▲PERSPĖJIMAS:** Nenaudokite veržlės „Eznut“ su papildoma jungė arba kampiniu šliuokliu, kurio modelio numerio gale yra raidė „F“. Šios jungės yra tokios storos, kad jų neįmanoma iki galo užsriegti ant veleno.

- **Pav.14:** 1. Veržlė „Eznut“ 2. Abrazyvinis diskas  
3. Vidinis kraštas 4. Velenas

Uždėkite vidinę jungę, šlifavimo diską ir veržlę „Eznut“ ant veleno taip, kad ant „Eznut“ esantis logotipas „Makita“ būtų nukreiptas išorėn.

- **Pav.15:** 1. Ašies fikساتorius

Tvirtai įspauskite veleno fikساتorių ir priveržkite veržlę „Eznut“, sukdami abrazyvinį diską pagal laikrodžio rodyklę tiek, kiek jis suksis. Norėdami atlaisvinti, sukite išorinį įtaisą „Eznut“ žiedą prieš laikrodžio rodyklę.

- **Pav.16:** 1. Rodyklė 2. Įdubimas

- **Pav.17**

**PASTABA:** Jeigu tik rodyklė nukreipta įrąntos link, įtaisą „Eznut“ galima atsukti rankomis. Kitais atvejais, norint jį atsukti, reikia veržliarakčio. Įkiškite vieną veržliarakčio smaigą į angą ir sukite įtaisą „Eznut“ prieš laikrodžio rodyklę.

## Šlifuojamojo pjovimo disko / deimantinio disko montavimas

### Pasirenkamas priedas

**▲ISPĖJIMAS:** Naudodami šlifuojamąjį pjovimo / deimantinį diską, būtinai naudokite tik specialų apsauginį gaubtą, skirtą naudoti su pjovimo diskais.

(Tam tikrose Europos šalyse naudojant deimantinį diską, galima naudoti įprastą apsauginį gaubtą. Vadovaukitės jūsų šalyje galiojančiomis taisyklėmis.)

**▲ISPĖJIMAS:** NIEKADA nenaudokite pjovimo disko šonams šliuoti.

- **Pav.18:** 1. Fiksavimo veržlė 2. Šlifujamasis pjovimo diskas / deimantinis diskas 3. Vidinė jungė 4. Apsauginis gaubtas šlifujamajam pjovimo diskui / deimantiniam diskui

Norėdami sumontuoti diską su įgaubtu centru, vykdykite jam skirtas instrukcijas.

**Antveržlės ir vidinės jungės montavimo kryptis priklauso nuo disko tipo ir storio.**

Zr. šiuos paveikslėlius.

## Naudojant 100 mm modelį

### Montuojant šlifujamąjį pjovimo diską:

- **Pav.19:** 1. Fiksavimo veržlė 2. Šlifujamasis pjovimo diskas (plonesnis nei 4 mm)  
3. Šlifujamasis pjovimo diskas (4 mm ar storesnis) 4. Vidinė jungė

### Montuojant deimantinį diską:

- **Pav.20:** 1. Fiksavimo veržlė 2. Deimantinis diskas (plonesnis nei 4 mm) 3. Deimantinis diskas (4 mm ar storesnis) 4. Vidinė jungė

## 115 mm / 125 mm modeliui

### Montuojant šlifujamąjį pjovimo diską:

- **Pav.21:** 1. Fiksavimo veržlė 2. Šlifujamasis pjovimo diskas (plonesnis nei 4 mm)  
3. Šlifujamasis pjovimo diskas (4 mm ar storesnis) 4. Vidinė jungė

### Montuojant deimantinį diską:

- **Pav.22:** 1. Fiksavimo veržlė 2. Deimantinis diskas (plonesnis nei 4 mm) 3. Deimantinis diskas (4 mm ar storesnis) 4. Vidinė jungė

## Vielinio šepetėlio sumontavimas

### Pasirenkamas priedas

**▲PERSPĖJIMAS:** Nenaudokite apgadinto arba išbalansuoto šepetėlio. Naudojant apgadintą šepetėlį, prisilietus prie aplūžusių šepetėlio vielų, galima susižeisti.

- **Pav.23:** 1. Vielinis šepetėlis

Išimkite keičiamąjį akumuliatorių iš įrankio ir padėkite įrankį apverstą, kad galėtumėte lengvai pasiekti veleną. Nuimkite nuo veleno visus priedus. Užsukite ant veleno vielinį taurėlės formos šepetėlį ir priveržkite jį pateiktuju veržliarakčiu.

## Vielinio disko formos šepetėlio sumontavimas

### Pasirenkamas priedas

**▲PERSPĖJIMAS:** Nenaudokite apgadinto arba išbalansuoto vielinio, disko formos šepetėlio.

Naudojant apgadintą vielinį, disko formos šepetėlį, prisilietus prie aplūžusių šepetėlio vielų, galima susižeisti.

**▲PERSPĖJIMAS:** Naudodami vielinius, disko formos šepetėlius, VISADA naudokite apsauginį gaubtą, kuriame tilptų atitinkamo skersmens diskas. Naudojimo metu diskas gali subyrėti, o apsauginis gaubtas sumažina galimybę susižeisti.

- **Pav.24:** 1. Vielinis disko formos šepetėlis

Išimkite keičiamąjį akumuliatorių iš įrankio ir padėkite įrankį apverstą, kad galėtumėte lengvai pasiekti veleną. Nuimkite nuo veleno visus priedus. Užsukite vielinį disko formos šepetėlį ant veleno ir priveržkite veržliarakčiais.

## NAUDOJIMAS

**▲ISPĖJIMAS:** Dirbant įrankiu niekada nereikėtų naudoti jėgos. Įrankio svoris sukels pakankamą spaudimą. Jėgos naudojimas ir per didelis spaudimas kelia disko lūžimo pavojų.

**▲ISPĖJIMAS:** VISUOMET pakeiskite diską, jei įrankis iškrito šlifavimo metu.

**▲ISPĖJIMAS:** NIEKADA nedaužykite šlifavimo disko į ruošinį.

**▲ISPĖJIMAS:** Venkite disko atšokimų ir užkliuvimų, ypač kai apdorojate kampus, aštirus kraštus ir pan. Dėl to galima nesuvaldyti įrankio ir jis gali atšokti.

**▲ISPĖJIMAS:** NIEKADA nenaudokite įrankio su medžio pjovimo ašmenimis ir kitomis pjūklo geležtėmis. Tokius ašmenis naudojant su šlifuotuvu dažnai įvyksta atatranka, dėl kurios įrankis tampa nevaldomas ir gali sužeisti žmogų.

**▲PERSPĖJIMAS:** NIEKADA nejunkite įrankio, kai jis liečiasi su ruošiniu, kadangi galite susižeisti.

**▲PERSPĖJIMAS:** Dirbdami visuomet dėvėkite apsauginius akinius arba veido skydelį.

**▲PERSPĖJIMAS:** Panaudoję įrankį visuomet jį išjunkite ir prieš padėdami įrankį palaukite, kol diskas visiškai sustos.

**▲PERSPĖJIMAS:** VISUOMET laikykite įrankį tvirtai, vieną ranką uždėję ant korpuso, o kitą – ant šoninės rankenos.

## Šlifavimas ir šlifavimas švitrinu popieriumi

► Pav.25

Įjunkite įrankį ir tada diską apdirbkite ruošinį. Laikykite disko kraštą pakreiptą apie 15° laipsnių kampą į ruošinio paviršius.

Naujo disko apšilimo laikotarpiu nedirbkite šlifuoekliu pakreipimo į priekį kryptimi, kadangi jis gali įpjauti ruošinį. Kai disko kraštas naudojant suapvalėja, diską galima dirbti kryptimis į priekį ir atgal.

## Šlifuojamojo pjovimo disko / deimantinio disko naudojimas

### Pasirenkamas priedas

**▲ISPĖJIMAS:** Nespauskite disko ir nenaudokite pernelyg didelio slėgio. Nemėginkite atlikti pernelyg gilių pjūvių. Pernelyg spaudžiant diską, padidėja apkrova ir tikimybė, kad diskas persikreips arba įstrigs pjūvyje; taip pat atsiranda atatrankos, disko lūžimo ir variklio perkaitimo galimybė.

**▲ISPĖJIMAS:** Nepradėkite pjauti atrėmę diską į ruošinį. Palaukite, kol diskas ims sukstis visu greičiu, ir atsargiai nuleiskite jį į pjūvį, stumdami įrankį pirmyn ruošinio paviršiumi. Jeigu elektrinį įrankį paleisite ruošinyje, diskas gali įstrigti, pasislinkti arba atšokti.

**▲ISPĖJIMAS:** Pjudami niekada nekeiskite disko kampo. Spaudžiant pjovimo diską iš šono (pvz., šlifuojant), diskas gali įtrūkti ar sulūžti, sukeldamas pavojų susižeisti.

**▲ISPĖJIMAS:** Deimantinį diską reikia naudoti tik nukreipus jį statmenai pjaunamai medžiagai.

Naudojimo pavyzdys: darbas šlifuojamuoju nupjovimo disku  
► Pav.26

Naudojimo pavyzdys: darbas deimantiniu disku  
► Pav.27

## Vielinio, taurelės formos šepetėlio naudojimas

### Pasirenkamas priedas

**▲PERSPĖJIMAS:** Patikrinkite, kaip veikia šepetėlis, paleidę įrankį veikti be apkrovų ir įsitikinę, kad niekas nestovi priešais arba vienoje linijoje su šepetėliu.

**PASTABA:** Nespauskite pernelyg stipriai, kadangi naudojant vielinį šepetėlį gali sulinkti šereliai. Šepetėlis gali sulūžti pirma laiko.

Naudojimo pavyzdys: vielinio šepetėlio naudojimas  
► Pav.28

## Vielinio, disko formos šepetėlio naudojimas

### Pasirenkamas priedas

**▲PERSPĖJIMAS:** Patikrinkite, kaip veikia vielinis, disko formos šepetėlis, paleidę įrankį veikti be apkrovų ir įsitikinę, kad niekas nestovi priešais arba vienoje linijoje su vieliniu, disko formos šepetėliu.

**PASTABA:** Nespauskite pernelyg stipriai, kadangi naudojant vielinį disko formos šepetėlį gali sulinkti šereliai. Šepetėlis gali sulūžti pirma laiko.

Naudojimo pavyzdys: darbas vieliniu disko formos šepetėliu  
► Pav.29

## TECHNINĖ PRIEŽIŪRA

**▲PERSPĖJIMAS:** Visuomet įsitikinkite, ar įrankis yra išjungtas ir akumuliatoriaus kasetė yra nuimta prieš atlikdami apžiūrą ir priežiūrą.

**PASTABA:** Niekada nenaudokite gazolino, benzino, tirpiklio, spirito arba panašių medžiagų. Gali atsirasti išblukimų, deformacijų arba įtrūkimų.

Kad gaminyt būtų SAUGUS ir PATIKIMAS, jį taisyti, apžiūrėti ar vykdyti bet kokią kitą priežiūrą ar derinimą turi įgaliotasis kompanijos „Makita“ techninės priežiūros centras; reikia naudoti tik kompanijos „Makita“ pagamintą atsarginę dalis.

## Oro ventiliacijos angų valymas

Prižiūrėkite, kad įrankis ir jo oro angos būtų švarios. Reguliariai išvalykite įrankio oro angas arba tada, kai jos užsikemša.

► **Pav.30:** 1. Oro išleidimo anga 2. Oro įleidimo anga

Nuimkite gaubtelį nuo dulkių nuo oro įėjimo angos ir nuvalykite jį, kad oras galėtų laisvai cirkuluoti.

► **Pav.31:** 1. Gaubtelis nuo dulkių

**PASTABA:** Nuvalykite gaubtelį nuo dulkių, kai jis užsikemša dėl dulkių arba pašalinių medžiagų. Toliau naudojant įrankį, kai gaubtelis nuo dulkių užsikimšęs, įrankis gali sugesti.

## PASIRENKAMI PRIEDAI

**▲PERSPĖJIMAS:** Šiuos papildomus priedus arba įtaisus rekomenduojama naudoti su šioje instrukcijoje nurodytu „Makita“ bendrovės įrankiu. Naudojant bet kokius kitus papildomus priedus arba įtaisus, gali kilti pavojus sužeisti žmones. Naudokite tik nurodytam tikslui skirtus papildomus priedus arba įtaisus.

Jeigu norite daugiau sužinoti apie tuos priedus, kreipkitės į artimiausią „Makita“ techninės priežiūros centrą.

• Originalus „Makita“ akumuliatorius ir įkroviklis

► **Pav.32**

-	100 mm modelis	115 mm modelis	125 mm modelis
1	Rankena 36		
2	Disko apsauga (šlifavimo diskui)		
3	Vidinė jungė		
4	Diskas su įgaubtu centru / poliravimo diskas		
5	Fiksavimo veržlė		
6	Atraminis pagrindas		
7	Lankstusis diskas		
8	Vidinė jungė ir guminis tarpiklis 76	Guminis padas 100	Guminis padas 115
9	Šlifavimo diskas		
10	Šlifavimo priedo fiksuojamoji veržlė		
11	Vielinis disko formos šepetėlis		
12	Vielinis šepetėlis		
13	Disko apsauga (pjovimo diskui) *1		
14	Šlifuojamasis pjovimo diskas / deimantinis diskas		
-	Fiksavimo galvutės raktas		

**PASTABA:** \*1 Kai kuriose Europos šalyse, naudojant deimantinį diską, vietoj specialiosios apsaugos, dengiančios abi disko puses, galima naudoti įprastą apsaugą. Vadovaukitės jūsų šalyje galiojančiomis taisyklėmis.

**PASTABA:** Kai kurie sąraše esantys priedai gali būti pateikti įrankio pakuotėje kaip standartiniai priedai. Jie įvairiose šalyse gali skirtis.

## TEHNILISED ANDMED

Mudel:	GA011G	GA012G	GA013G	GA014G	GA015G	GA016G
Ketta läbimõõt	100 mm (4")	115 mm (4-1/2")	125 mm (5")	100 mm (4")	115 mm (4-1/2")	125 mm (5")
Max ketta paksus	6,4 mm	7,2 mm		6,4 mm	7,2 mm	
Võlli keere	M10	M14 või 5/8" (riigiti erinev)		M10	M14 või 5/8" (riigipetsiifiline)	
Nimikiirus (n)	8 500 min <sup>-1</sup>					
Üldpikkus	BL4025-ga		398 mm			
	BL4040-ga		410 mm			
Netokaal	2,8 – 3,4 kg	3,0 – 3,6 kg		2,8 – 3,3 kg	2,9 – 3,5 kg	2,9 – 3,6 kg
Nimipinge	Alalisvool 36 V – 40 V max					

- Meie pideva uuringu- ja arendusprogrammi tõttu võidakse tehnilisi andmeid muuta ilma sellest ette teatamata.
- Tehnilised andmed võivad riigiti erineda.
- Kaal võib erineda olenevalt lisaseadistest, kaasa arvatud akukassetist. Kergeim ja raskeim kombinatsioon EPTA-protseduuri 01/2014 kohaselt on toodud tabelis.

### Sobiv akukassett ja laadija

Akukassett	BL4025 / BL4040
Laadija	DC40RA

- Mõned eespool loetletud akukassetid ja -laadijad ei pruugi olla teie riigis saadaval.

**⚠ HOIATUS:** Kasutage ainult ülalpool loetletud akukasette ja laadureid. Muude akukassetide ja laadurite kasutamine võib tekitada vigastusi ja/või tulekahju.

### Kavandatud kasutus

Tööriist on ette nähtud metallide ja kivimaterjali veeta käimiseks, lihvimiseks ja lõikamiseks.

### Müra

Tüüpiline A-korrigeeritud müratase, määratud standardi EN60745-2-3 kohaselt:

Mudel	Helirõhutase (L <sub>pA</sub> ): (dB(A))	Helivõimsuse tase (L <sub>WA</sub> ): (dB(A))	Määramatus (K): (dB(A))
GA011G	81	92	3
GA012G	81	92	3
GA013G	82	93	3
GA014G	81	92	3
GA015G	81	92	3
GA016G	82	93	3

**MÄRKUS:** Deklareeritud müra väärtust (väärtuseid) on mõõdetud kooskõlas standardse katsemeetodiga ning seda võib kasutada ühe seadme võrdlemiseks teisega.

**MÄRKUS:** Deklareeritud müra väärtust (väärtuseid) võib kasutada ka mürataseme esmaseks hindamiseks.

**⚠️HOIATUS:** Kasutage kõrvakaitsmeid.

**⚠️HOIATUS:** Müratase võib elektritööriista tegelikkuses kasutamise ajal erineda deklareeritud väärtus(t) est olenevalt tööriista kasutusviisidest ja eriti töödeldavast toorikust.

**⚠️HOIATUS:** Rakendage operaatori kaitsmiseks kindlasti piisavaid ohutusabinõusid, mis põhinevad hinnangulisel müratasemel tegelikus töösituatsioonis (võttes arvesse tööperioodi kõiki osasid, näiteks korrad, kui seade lülitatakse välja ja seade töötab tühikäigul, lisaks tööajale).

## Vibratsioon

Vibratsiooni koguväärtus (kolmeteljeliste vektorite summa) määratud standardi EN60745-2-3 kohaselt:

**Töörežiim: pinna lihvimine tavalise külgkäepideme kasutamisega**

Mudel	Vibratsioonitase ( $a_{hv, AG}$ ): (m/s <sup>2</sup> )	Määramatus (K): (m/s <sup>2</sup> )
GA011G	4,5	1,5
GA012G	5,0	1,5
GA013G	6,0	1,5
GA014G	4,5	1,5
GA015G	5,0	1,5
GA016G	6,0	1,5

**Töörežiim: pinna lihvimine vibratsioonikindla külgkäepideme kasutamisega**

Mudel	Vibratsioonitase ( $a_{hv, AG}$ ): (m/s <sup>2</sup> )	Määramatus (K): (m/s <sup>2</sup> )
GA011G	4,5	1,5
GA012G	5,0	1,5
GA013G	6,5	1,5
GA014G	4,5	1,5
GA015G	5,0	1,5
GA016G	6,5	1,5

**Töörežiim: ketaslihvimine tavalise külgkäepideme kasutamisega**

Mudel	Vibratsioonitase ( $a_{hv, AG}$ ): (m/s <sup>2</sup> )	Määramatus (K): (m/s <sup>2</sup> )
GA011G	2,5 m/s <sup>2</sup> või vähem	1,5
GA012G	2,5	1,5
GA013G	3,0	1,5
GA014G	2,5 m/s <sup>2</sup> või vähem	1,5
GA015G	2,5	1,5
GA016G	3,0	1,5

**Töörežiim: ketaslihvimine vibratsioonikindla külgkäepideme kasutamisega**

Mudel	Vibratsioonitase ( $a_{hv, AG}$ ): (m/s <sup>2</sup> )	Määramatus (K): (m/s <sup>2</sup> )
GA011G	2,5 m/s <sup>2</sup> või vähem	1,5
GA012G	2,5	1,5
GA013G	3,0	1,5
GA014G	2,5 m/s <sup>2</sup> või vähem	1,5
GA015G	2,5	1,5
GA016G	3,0	1,5

**MÄRKUS:** Deklareeritud vibratsiooni koguväärtust (-väärtuseid) on mõõdetud kooskõlas standardse katsemeetodiga ning seda võib kasutada ühe seadme võrdlemiseks teisega.

**MÄRKUS:** Deklareeritud vibratsiooni koguväärtust (-väärtuseid) võib kasutada ka mürataseme esmaseks hindamiseks.

**⚠️HOIATUS:** Vibratsioonitase võib elektritööriista tegelikkuses kasutamise ajal erineda deklareeritud väärtus(t)est olenevalt tööriista kasutusviisidest ja eriti töödeldavast toorikust.

**⚠️HOIATUS:** Rakendage operaatori kaitsmiseks kindlasti piisavaid ohutusabinõusid, mis põhinevad hinnangulisel müratase mel telgelikus töösituatsioonis (võttes arvesse tööperioodi kõiki osasid, näiteks korrad, kui seade lülitatakse välja ja seade töötab tühikäigul, lisaks tööajale).

**⚠️HOIATUS:** Deklareeritud vibratsioonihelide väärtust kasutatakse elektritööriista peamisest otstarbest lähtudes. Kui tööriista kasutatakse muul otstarbel, võib vibratsioonihelide väärtus olla erinev.

## EÜ vastavusdeklaratsioon

### Ainult Euroopa riikide puhul

EÜ vastavusdeklaratsioon sisaldub käesoleva juhendi Lisas A.

## OHUTUSHOIATUSED

### Üldised elektritööriistade ohutusohiatused

**⚠️HOIATUS:** Lugege läbi kõik selle elektritööriistaga kaasas olevad ohutusohiatused, juhised, joonised ja tehnilised andmed. Järgnevate juhiste eiramine võib põhjustada elektrilöögi, süttimise ja/või raske kehavigastuse.

## Hoidke edaspidisteks viide- teks alles kõik hoiatused ja juhtnõid.

Hoiatuses kasutatud termini „elektritööriist“ all peetakse silmas elektriga töötavaid (juhtmega) elektritööriistu või akuga töötavaid (juhtmeta) elektritööriistu.

### Juhtmeta lihvmasina ohutusnõuded

Turvahoiatused. Tavalised turvahoiatused lihvimiseks, poleerimiseks, terasharjamiseks või abrasiivseteks lõikeoperatsioonideks:

1. **See elektritööriist on mõeldud lihvimisseadme, poleerimisseadme, terasharja või lõiketööriistana kasutamiseks. Lugege kõiki elektritööriistaga kaasasolevaid ohutus- ja kasutusjuhendeid ning tutvuge illustatsioonide ja tehniliste andmetega. Kõigi juhendite täpne järgimine ennetab elektrilöögi-, tulekahju ja/või vigastusohu.**
2. **Selle elektritööriistaga ei soovitata poleerida. Toimingud, milleks elektritööriist pole ette nähtud, võivad tekitada ohtlikku olukorra ja põhjustada kehavigastusi.**
3. **Ärge kasutage tarvikuid, mida tootja ei ole selle tööriista jaoks spetsiaalselt välja töötanud. Tarviku elektritööriistale kinnitamise võimalus ei taga veel selle ohutut tööd.**
4. **Tarviku nimikiirus peab olema vähemalt võrdne elektritööriistale märgitud maksimaalse kiirusega. Tarvikud, mis töötavad nimikiirusest suuremal kiirusel, võivad katki minna ja laiali lennata.**

5. **Tarviku välisdiameeter ja paksus peavad jääma Teie elektritööriista puhul ettenähtud parameetrite nimiametrite vahemikku. Valed mõõtudega tarvikud ei ole tööriistas nõuetekohaselt kaitstud ega kontrolli all.**
6. **Tarvikute keermeskindluse peab vastama lihvmasina võlli keermes suurusele. Äärikutega kinnitatavate tarvikute korral peab tarviku võlliava sobima ääriku fikseeriva läbimõõduga. Tarvikud, mis ei sobitu elektritööriista paigaldus- seadisega, kaotavad tasakaalu, hakkavad vibreerima ja võivad kaotada juhitavuse.**
7. **Ärge kasutage vigast lisatarvikut. Enne iga kasutust kontrollige, et lihvketastel ei oleks laaste ega mõrsid, et tugiketastel ei oleks mõrsid, rebendeid ega liigset kulumust, et terasharjade harjased ei oleks lahtised ega purunenud. Kui elektritööriist või lisatarvik kukub maha, kontrollige, et see ei oleks kahjustunud, või paigaldage uus lisatarvik. Pärast lisatarviku kontrolli ja paigaldust minge koos kõrvalseisjatega pöörlevast lisatarvikust eemale ja käituge elektritööriista maksimaalsel koormusvabal kiirusel üheks minutiks. Kahjustatud lisatarvikud lähevad tavaliselt selle testi ajal katki.**
8. **Kandke isiklikku kaitsevarustust. Rakendusest olenevalt kandke näokaitset, kaitseprille või prille. Vajaduse korral kandke tolumaski, kõvaklappe, kindaid ja põlle, mis suudab kaitsta väikeste abrasiivosakeste või töödeldava detaili kildude eest. Silmakaitsemed peavad kaitsma töö käigus tekkivate lenduvate osakeste eest. Tolmumask või respiraator peab kaitsma töö käigus tekkivate filtreeruvate osakeste eest. Alaline kokkupuude suure müraga võib põhjustada kuulmiskahjustuse.**
9. **Hoidke kõrvalseisjad tööalast turvalises kauguses. Kõik, kes sisenevad tööalasse, peavad kandma kaitsevarustust. Töödeldava detaili või tarvikute osakesed võivad eemale lennata ja põhjustada vigastusi ka väljaspool vahetut tööala.**
10. **Hoidke elektritööriista ainult isoleeritud käepidemetest, kui töötate kohtades, kus lõiketara võib kokku puutuda peidetud juhtmetega. Kokkupuude voolu all oleva juhtmega võib pingestada ka elektritööriista katmata metallosad ning operaator võib saada elektrilöögi.**
11. **Ärge pange elektritööriista kunagi maha enne, kui tarviku liikumine pole täielikult peatunud. Pöörlev tarvik võib pinnal liikumist jätkata ja põhjustada elektritööriista väljumise teie kontrolli alt.**
12. **Ärge käituge elektritööriista selle kandmise ajal. Juhuslik kokkupuude pöörleva tarvikuga võib põhjustada riiete kinnijäämist ja tarviku hehase tõmmata.**

13. **Puhastage elektritööriista õhuvasid regulaarselt.** Mootori ventilaator tõmbab tolmu korpusesse ja metallitõlmu liigne kogunemine võib põhjustada elektriõhtu.
14. **Ärge kasutage seadet tuleohtlike materjalide lähedal.** Need materjalid võivad sädemete süttida.
15. **Ärge kasutage tarvikuid, mis nõuavad jahutusvedelikke.** Vee või teiste vedelate jahutusvahendite kasutamine võib põhjustada surmava elektrilöögi või -šoki.

#### Tagasilöökk ja vastavad hoiatused

Tagasilöökk on äkiline reaktsioon, kui pöörlev ketas, aluspadi, hari või mõni muu lisatarvik kiilib kinni või satub ootamatu takistuse otsa. Väändumine või pörkimine põhjustab kiiret pöörleva lisatarviku vääratamist, mis omakorda sunnib ühenduspunkti juhitamatut elektritööriista pöörlema vastassuunas lisatarviku pöörlemise suunale.

Näiteks kui abrasiivne ketas kiilib töödeldavasse detaili kinni, võib kinnikiilumiskohta sisenenud löikeketta serv materjali pinda tungida, mille tagajärjel hüppab löikeketas välja või põhjustab tagasilöögi. Löikeketas võib hüpata kasutaja poole või kasutajat eemale olenevalt ketta liikumissuunast kinnikiilumiskohas. Lihvkettad võivad neis tingimustes samuti puruneda.

Tagasilöökk tekib elektritööriista väärkasutamisel ja/või mittevastava tööprotseduuri või -tingimuste korral ning on vältitav, kui rakendate alljärgnevalt esitatud vastavaid ettevaatusabinõusid.

1. **Hoidke elektritööriistast tugevasti kinni ning seadke keha ja küünarnukk sellisesse asendisse, mis võimaldab tagasilöögile õigesti reageerida.** Kasutage alati abikäepidet, kui see on olemas, et tööriista käivitamisel tagasilöögi ja pöördemomendi vastumõju üle kontrolli saavutada. Asjakohaste ettevaatusabinõude rakendamisel saab operaator tagasilöögi ja pöördemomendi vastumõju kontrollida.
2. **Ärge kunagi asetage kätt pöörleva tarviku lähedale.** Te võite tarvikult tagasilöögi saada.
3. **Ärge viibige alas, kus elektritööriist võib tagasilöögi ajal liikuda.** Tagasilöökk paneb tööriista pörkekohas ketta liikumissuunale vastupidises suunas liikuma.
4. **Olge eriti ettevaatlik, kui töötlete nurki, teravaid servi jne. Vältige tarviku pörkimist esemete vastu.** Nurgad, teravad servad ja tagasipõrkamine on tavaliselt nendeks teguriteks, mis võivad põhjustada pöörleva tarviku kinnijäämist, kontrolli kaotamist või tagasilööki.
5. **Ärge kunagi seadistage puulõiketeraga saeketti või hammastega saetera.** Sellised terad tekitavad sageli tagasilööki ja juhitavuse kadu.

#### Spetsiaalsed turvahoiatused lihvimiseks ja abrasiivseteks löikeoperatsioonideks:

1. **Kasutage vaid kettatüüpe, mida teie elektritööriistale soovitatakse, ja valitud kettale mõeldud spetsiaalset piiret.** Kettaid, mille jaoks elektritööriist ei olnud mõeldud, ei saa piisavalt kaitsta ja need ei ole turvalised.
2. **Õhema keskosaga lihvketaste lihvipind peab jääma kaitsepiirde tasapinnast allapoole.** Kui ketas on valesti paigaldatud ja ulatub kaitsepiirde tasapinnast välja, ei ole võimalik seda piisavalt kaitsta.

3. **Kaitsepiire kinnitatakse tugevasti elektritööriista külge ja seadistatakse maksimaalselt ohutust tagavasse asendisse nii, et löikeketas jääks kasutajast võimalikult kaugemale.** Piire aitab kaitajat kaitsta purunenud kettatükikide, kettaga juhuslikku kokkupuutesse sattumise ja rõivaid süüdada võivate sädemete eest.
4. **Kettaid tohib kasutada ainult sellel otstarbel, milleks need on mõeldud.** Näiteks ärge kasutage löikeketta külge lihvimiseks. Abrasiivlöikekettad on ette nähtud rakedatavate lihvimiseks, nendele ketastele rakendatavad külgjõud võivad ketta purustada.
5. **Kasutage ainult terveid kettaäärikuid, mis on valitud ketta jaoks sobiva suuruse ja kujuga.** Sobivad kettaäärikud toestavad kettast, vähendades nii ketta purunemise ohtu. Löikeketaste äärikud võivad lihvketaste äärikutest erineda.
6. **Ärge kasutage suuremate elektritööriistade kulunud kettaid.** Suurema elektritööriista jaoks tehtud ketas ei sobi väiksema tööriista suurema kiirusega ja võib katki minna.

#### Lisanduvad turvahoiatused abrasiivseteks löikeoperatsioonideks:

1. **Ärge ummistage löikeketast ega rakendage liigset jõudu.** Ärge püüdke teha liiga sügavat lõiget. Ketta ülepingestamine suurendab ketta koormust ja vastuvõttlikkust väändumisele või kinnijäämisele lõikes ning tagasilöögi esinemise või ketta purunemise võimalust.
2. **Ärge seadke ennast ühele joonele pöörleva löikekettaga ega selle taha.** Kui ketas liigub käituse ajal teie kehast eemale, võib tõenäoline tagasilöökk pöördketast ja elektritööriista otse teie suunas liigutada.
3. **Kui ketas kiilib kinni või lõikamine katkeb mingil põhjusel, lülitage elektritööriist välja ja hoidke tööriista liikumatult kuni ketta täieliku seiskumiseni.** Ärge kunagi püüdke eemaldada löikeketast lõikest, kui ketas liigub, sest võib esineda tagasilöökk. Selgitage välja ketta kinnijäämise põhjus ja rakendage asjakohast parandusmeetet põhjuse kõrvaldamiseks.
4. **Ärge käivitage lõikamist töödeldavas detailis. Laske kettal saavutada täiskiiirus ja sisenege uuesti hoolikalt lõikesse.** Kui elektritööriist taaskäivitatakse töödeldavas detailis, võib ketas kinni jääda, ülespoole liikuda või põhjustada tagasilöögi.
5. **Vähendamaks ketta pitsumise ja tagasilöögi ohtu, toestage paneelid üle ülemõdulised töödeldavad detailid.** Suured detailid hakkavad painduma omaenese raskuse all. Toed tuleb paigutada töödeldava detaili alla löikejoone lähedale ja tooriku serva lähedale ketta mõlemal küljel.
6. **Olge eriti ettevaatlik, kui teete „sukelduslõikamist“ olemasolevates seintes või muudes varjatud piirkondades.** Väljalatav lõiketera võib lõikuda gaasi- või veetorudesse, elektrijuhtmetesse või muudesse esemetesse ning põhjustada tagasilöögi.

## Poleerimistööde turvahoiatused:

1. Ärge kasutage liiga suurte mootmetega poleerketta paberit. Lihvpaberi valikul järgige tootjate soovitusi. Lihvklotsist kaugemale ulatuv suurem lihvpaper on rebenemisohtlik ja võib põhjustada ketta kinnijäämist, purunemist või tagasilööki.

## Terasharjamise operatsioonide turvahoiatused:

1. Arvestage sellega, et hari viskab traatharjaseid eemale ka tavakäituse ajal. Ärge avaldage terastraatidele liigset pinget harjale liigse koormuse rakendamisega. Terasharjased võivad lihtsalt kergesse rõivastusse ja/või nahka tungida.
2. Kui terasharjamisel soovitatakse kasutada piiret, ärge laske teraskettal ega -harjal piirdega kokku puutuda. Terasketas või -hari võib töökoores ja tsentrifugaaljõu tõttu läbimõeldud laieneda.

## Lisaturvahoitused:

1. Kui kasutate nõgusa keskosaga lihvkettaid, veenduge, et kasutate ainult klaaskiuga tugevdatud kettad.
2. **ÄRGE KUNAGI kasutage selle lihvijaga koos kausslihvketaid.** Seda lihvijat ei kasutata koos nimetatud ketastega, sest need võivad põhjustada tõsise kehavigastuse.
3. **Ärge vigastage võlli, äärikut (eriti selle paigalduspinda) ega fiksaatormutrit.** Nende osade kahjustused võivad põhjustada ketta purunemise.
4. Veenduge, et lihvketas ei puutuks enne tööriista sisselülitamist vastu töödeldavat detaili.
5. Enne tööriista kasutamist tegelikus töökeskkonnas laske sellel mõni aeg koormusteta töötada. Jälgige vibratsiooni või vibamist, mis võib tähendada ebaõiget paigaldust või halvasti tasakaalustatud ketast.
6. Lihvige selleks ette nähtud kettapinna osaga.
7. Ärge jätke tööriista käima. Käivitage tööriist ainult siis, kui hoiate seda käes.
8. Ärge puutuge töödeldavat detaili vahetult pärast töötlemist; see võib olla väga kuum ja põhjustada põletushaavu.
9. Ketta õigeks paigaldamiseks ja kasutamiseks järgige valmistaja juhendeid. Käsitsege ja ladustage kettaid hoolikalt.
10. Ärge kasutage suureauguliste lihvketaste kinnitamiseks sobituspuuke või adaptereid.
11. Kasutage ainult äärikuid, mis on mõeldud kasutamiseks selle tööriistaga.
12. Tööriistade korral, kus kasutatakse keermestatud augega kettaid, jälgige, et ketta keerne pikkus oleks piisav võllile kinnitamiseks.
13. Kontrollige, kas töödeldav detail on korralikult kinnitatud.
14. Pöörake tähelepanu asjaolule, et ketas jätkab pöörlemist ka pärast tööriista väljalülitamist.
15. Kui töökoht on äärmiselt kuum ja niiske või tugevalt saastatud elektrit juhtiva tolmuga, siis tuleb operatori ohutuse tagamiseks kasutada lühisvoolukaitset (30 mA).
16. Ärge kasutage tööriista asbesti sisaldavate materjalide töötlemiseks.

17. Kui töötate lõikekettaga, siis kasutage alati tolmueemaldusega kettakaitset, mis vastab kohalikele eeskirjadele.
18. Lõikekettaid ei tohi külgsuunas suruda.
19. Ärge kasutage töötamise ajal riidest töökindaid. Riidest kinnaste kiud võivad sattuda tööriista sisse ja põhjustada tööriista purunemise.

## HOIDKE JUHEND ALLES.

**⚠ HOIATUS: ÄRGE UNUSTAGE** järgida toote ohutusnõudeid mugavuse või toote (korduskasutamise) saavutamise hea tundmise tõttu. **VALE KASUTUS** või kasutusjuhendi ohutuseeskirjade eiramine võib põhjustada tervisekahjustusi.

## Akukassetiga seotud olulised ohutusjuhised

1. Enne akukasseti kasutamist lugege (1) akulaadial, (2) akul ja (3) seadmel olevad juhtnõupid ja hoiatused läbi.
2. Ärge võtke akukassetti lahti ega muutke seda. See võib põhjustada tulekahju, liigset kuumust või plahvatusi.
3. Kui tööaeg järsult lüheneb, siis lõpetage kohe kasutamine. Edasise kasutamise tulemuseks võib olla ülekuumenemise, võimalikud põletused või isegi plahvatus.
4. Kui elektrolüüti satub silma, siis loputage silma puhta veega ja pöörduge koheselt arsti poole. Selline õnnetus võib põhjustada pimedaksjäämist.
5. Ärge tekitage akukassetis lühist:
  - (1) Ärge puutuge klemme elektrijuhtidega.
  - (2) Ärge hoidke akukassetti tööriistakastis koos metalliesemetega, nagu naelad, mündid jne.
  - (3) Ärge tehke akukassetti märjaks ega jätke seda vihma kätte.

Aku lühis võib põhjustada tugevat elektrivoolu, ülekuumenemist, põletusi ning ka seadet tõsiselt kahjustada.

6. Ärge hoidke tööriista ja akukassetti kohtades, kus temperatuur võib tõusta üle 50 °C.
7. Ärge põletage akukassetti isegi siis, kui see on saanud tõsiselt vigastada või on täiesti kulumud. Akukassett võib tules plahvatada.
8. Ärge naelutage, löigake, muljuge, visake akukassetti ega laske sel kukkuda, samuti ärge lööge selle pihta kõva esemega. Selline tegevus võib põhjustada tulekahju, liigset kuumust või plahvatusi.
9. Ärge kasutage kahjustatud akut.
10. Sisaldavatele liitium-ioonakudele võivad kohalduda ohtlike kaupade õigusaktide nõuded. Kaubanduslikul transportimisel, näiteks kolmandate poolte või transpordiettevõtete poolt, tuleb järgida pakendil ja siltidel toodud erinõudeid. Transportimiseks ettevalmistamisel on vajalik pidada nõu ohtliku materjali eksperdigaga. Samuti tuleb järgida võimalike riiklike regulatsioonide üksikasjalikumaid nõudeid. Katke teibiga või varjake avatud kontaktid ja pakendage aku selliselt, et see ei saaks pakendis



liikuda.

11. Kasutuskölbmatuks muutunud akukasseti kõrvaldamiseks eemaldage see tööriistast ja viige selleks ette nähtud kohta. Järgige kasutuskölbmatuks muutunud aku kõrvaldamisel kohalike eeskirju.
12. Kasutage akusid ainult Makita heaks kiidetud toodetega. Akude paigaldamine selleks mitte ettenähtud toodetele võib põhjustada süttimist, ülemäärast kuumust, plahvatamist või elektrolüüdi lekkimist.
13. Kui tööriista ei kasutata pika ajaperioodi jooksul, tuleb aku tööriistast eemaldada.
14. Kasutamise ajal ja pärast kasutamist võib akukassett kuumeneda, mis võib põhjustada põletusi või madala temperatuuri põletusi. Olge kuuma akukasseti kandmisel ettevaatlik.
15. Ärge puudutage tööriista klemmi kohe pärast kasutamist, sest see võib olla kuum ja põhjustada põletusi.
16. Hoidke akukasseti klemmid, avad ja sooned tükikestest, tolmust ja mullast puhtad. Muidu võib tööriist või akukassett halvasti töötada või puruneda.
17. Kui tööriist ei kannata kasutamist kõrgepingeliinide lähedal, ärge kasutage akukasseti kõrgepingeliinide lähedal. Muidu võib tööriist või akukassett puruneda või sellel tõrge tekkida.

## HOIDKE JUHEND ALLES.

**⚠ETTEVAATUST:** Kasutage ainult Makita originaalakusid. Mitte Makita originaalakude või muudetud akude kasutamine võib põhjustada akude süttimise, kehavigastuse ja kahjustuse. Samuti muudab see kehtetuks Makita tööriista ja laadija Makita garantii.

## Vihjeid aku maksimaalse kasutusaja tagamise kohta

1. Laadige akukassetti enne selle täielikku tühjenemist. Kui märkate, et tööriist töötab väiksema võimsusega, peatage töö ja laadige akukassetti.
2. Ärge laadige täielikult laetud akukassetti. Ülelaadimine lühendab akude kasutusiga.
3. Laadige akukassetti toatemperatuuril 10 °C - 40 °C. Enne laadimist laske kuumenenud akukassetil maha jahtuda.
4. Kui te ei kasuta parajasti akukassetti, eemaldage see tööriistast või laadurist.
5. Kui te ei kasuta akukassetti kauem kui kuus kuud, laadige see.

## FUNKTSIONAALNE KIRJELDUS

**⚠ETTEVAATUST:** Kandke alati hoolt selle eest, et tööriist oleks enne reguleerimist ja kontrollimist välja lülitatud ja akukassett eemaldatud.

### Akukasseti paigaldamine või eemaldamine

**⚠ETTEVAATUST:** Lülitage tööriist alati enne akukasseti paigaldamist või eemaldamist välja.

**⚠ETTEVAATUST:** Akukasseti paigaldamisel või eemaldamisel tuleb tööriista ja akukassetti kindlalt paigal hoida. Kui tööriista ja akukassetti ei hoita kindlalt paigal, võivad need käest libiseda ning kahjustada tööriista ja akukassetti või põhjustada kehavigastusi.

► **Joon.1:** 1. Punane näidik 2. Nupp 3. Akukassett

Akukasseti eemaldamiseks libistage see tööriista küljest lahti, vajutades kasseti esiküljel paiknevat nuppu alla.

Akukasseti paigaldamiseks joondage akukasseti keel korpuse soonega ja libistage kassetti oma kohale. Paigaldage akuadapter alati nii kaugele, et see lukustuks klõpsatusega oma kohale. Kui näete nupu ülaosas punast osa, pole kassett täielikult lukustunud.















**⚠ETTEVAATUST:** Paigaldage akukassett alati täies ulatuses nii, et punast osa ei jääks näha. Muidu võib adapter juhuslikult tööriistast välja kukkuda ning põhjustada teile või läheduses viibivatele isikutele vigastusi.

**⚠ETTEVAATUST:** Ärge rakendage akukasseti paigaldamisel jõudu. Kui kassett ei lähe kergesti sisse, pole see õigesti paigaldatud.

### Aku jääkmahutavuse näit

Akukasseti järelejäänud mahutavuse kontrollimiseks vajutage kontrollimise nuppu. Märgulambid süttivad mõneks sekundiks.

► **Joon.2:** 1. Märgulambid 2. Kontrollimise nupp

Märgulambid			Jääkmahutavus
 Poleb	 Ei pole	 Viigub	
			75 - 100%
			50 - 75%
			25 - 50%
			0 - 25%
			Laadige akut.
			Akul võib olla tõrge.

**MÄRKUS:** Näidatud mahutavus võib veidi erineda tegelikust mahutavusest olenevalt kasutustingimustest ja ümbritseva keskkonna temperatuurist.

## Tööriista/aku kaitsesüsteem

Tööriist on varustatud tööriista või aku kaitsesüsteemiga. Süsteem lülitab mootori automaatselt välja, et pikendada tööriista ja aku tööiga. Tööriist seiskub käitamise ajal automaatselt, kui tööriista või aku kohta kehtib üks järgmistest tingimustest.

## Ülekoormuskaitse

Kui tööriista/aku kasutamise käigus hakkab see tarbima ebaharilikult palju voolu, peatub tööriist automaatselt ilma igasuguse signaalita. Sel juhul lülitage tööriist välja ja lõpetage tööriista ülekoormuse põhjustanud töö. Pärast seda käivitage tööriist uuesti.

## Ülekuumenemiskaitse

Tööriista/aku ülekuumenemisel seiskub tööriist automaatselt. Laske tööriistal maha jahtuda, enne kui selle uuesti sisse lülitate.

## Ülelaadimiskaitse

Kui aku laetuse tase ei ole piisav, seiskub tööriist automaatselt. Sellisel juhul eemaldage aku seadmist ja laadige täis.

## Kaitseluku vabastamine

Kaitsesüsteemi korduval töötamisel tööriist lukustub. Sellises olukorras ei käivitu tööriist isegi siis, kui seda lülitatakse välja ja sisse. Kaitseluku vabastamiseks eemaldage aku, seadke see akulaadijasse ja oodake, kuni laadimine lõpeb.

## Võllilukk

Võlli pöörlemise takistamiseks vajutage võllilukku alati, kui paigaldate või eemaldate tarvikuid.

► **Joon.3:** 1. Võllilukk

**TÄHELEPANU:** Ärge kasutage kunagi võllilukku ajal, kui võll veel liigub. See võib tööriista kahjustada.

## Lüliti funktsioneerimine

**⚠ETTEVAATUST:** Enne akukasseti paigaldamist tööriista sisse kontrollige alati, kas hooblüüti funktsioneerib õigesti ning liigub vabastamisel tagasi asendisse „OFF“ (VÄLJAS).

**⚠ETTEVAATUST:** Ohutuse huvides on sellel tööriistal lahtilukustuse hoob, mis hoiab ära tööriista ootamatu käivitumise. ÄRGE KUNAGI kasutage tööriista, kui see hakkab tööle lihtsalt hooblüüti tõmbamisel, lahtilukustushooba vajutamata. ENNE edasist kasutamist viige masin remonti meie volitatud teeninduskeskusesse.

**⚠ETTEVAATUST:** Ärge tõmmake hooblüütit jõuga ilma lahtilukustushooba vajutamata. See võib põhjustada lüliti purunemise.

**⚠ETTEVAATUST:** ÄRGE KUNAGI teipige lahtilukustuse hooba kinni ega üritage selle funktsiooni blokeerida.

► **Joon.4:** 1. Lahtilukustushoob 2. Hooblüüti

Hooblüüti juhusliku tõmbamise vältimiseks on tööriist varustatud lahtilukustushoovaga.

Tööriista käivitamiseks tõmmake lahtilukustushooba enda poole ning seejärel tõmmake hooblüütit.

Tööriista seiskamiseks vabastage hooblüüti.

## Juhusliku taaskäivitumise vältimise funktsioon

Akukasseti paigaldamisel ei käivitu tööriist isegi hooblüüti tõmbamisel.

Tööriista käivitamiseks vabastage kõigepealt hooblüüti. Seejärel tõmmake lahtilukustushooba ja tõmmake hooblüütit.

## Elektrooniline väändejõu juhtimise funktsioon

Tööriist tuvastab elektrooniliselt olukorrad, kus ketas või tarvik ähvardavad kinni jääda. Sellises olukorras lülitatakse tööriist võlli edasise pöörlemise vältimiseks automaatselt välja (see ei hoi ära tagasilööki).

Tööriista taaskäivitamiseks lülitage tööriist esmalt välja, kõrvaldage pöörlemiskiruse ootamatu langemise põhjus ja lülitage tööriist seejärel uuesti sisse.

## Sujuvkäivituse funktsioon

Sujuvkäivituse funktsioon vähendab käivituslööki.

## Elektriline pidur

**Ainult mudelitele GA011G / GA012G / GA013G**

Tööriista väljalülitamise järel aktiveeritakse elektriline pidur.

Kui elektrivarustus katkestatakse, näiteks aku juhusliku eemaldamisel, kuid lüliti jääb endiselt sisselülitatud asendisse, siis pidur ei toimi.

## KOKKUPANEK

**⚠ETTEVAATUST:** Kandke alati hoolt selle eest, et tööriist oleks enne reguleerimist ja kontrollimist välja lülitatud ja akukassett eemaldatud.

## Külgakäepideme (käepide) paigaldamine

**⚠ETTEVAATUST:** Enne tööd kontrollige alati, kas külgakäepide on kindlalt paigaldatud.

Kruvige külgakäepide kindlalt oma kohale, nii nagu joonisel näidatud.

► **Joon.5**

## Kettakaitse paigaldamine või eemaldamine

**⚠️HOIATUS:** Kui kasutate nõgusa keskosaga ketast, lamellketast, painduvat ketast või ketast-raatharja, tuleb kettakaitse paigaldada tööriista külge nii, et kaitsme kinnine külg jääks alati operaatori poole.

**⚠️HOIATUS:** Veenduge, et lukustushoob oleks kettakaitse turvaliselt lukustanud, lukustades ühe kettakaitsemel oleva augu.

**⚠️HOIATUS:** Kui kasutate lihv-/teemantketast, siis valige kindlasti spetsiaalselt selle löikekettaga kasutamiseks mõeldud kettakaitse.

(Mõnes Euroopa riigis võib teemantketta puhul kasutada tavalist kettakaitset. Järgige oma riigis kehtivaid eeskirju.)

## Nõgusa keskosaga kettale, lamellkettale, painduvale kettale, ketastraatharjale / löikekettale, teemantkettale

1. Paigaldage kettakaitse lukustushooba alla vajutades nii, et kettakaitse klambri eendid oleksid laagri-ümbrise sälkudega kohakuti.  
▶ **Joon.6:** 1. Lukustushoob 2. Soon 3. Eenduv osa

2. Lukustushooba A suunas lükates suruge alla kettakaitse, hoides B-osi joonisel näidatud viisil all.  
▶ **Joon.7:** 1. Kettakaitse 2. Ava

**MÄRKUS:** Suruge kettakaitse sirgelt alla. Muidu ei ole võimalik kettakaitset täielikult suruda.

3. Lukustushooba ja kettakaitset teises sammus kirjeldatud viisil all hoides pöörake kettakaitset C suunas ning muutke olenevalt tööülesandest kettakaitse nurka.  
▶ **Joon.8:** 1. Kettakaitse 2. Ava

**MÄRKUS:** Suruge kettakaitse täielikult alla. Muidu ei ole võimalik kettakaitset pöörata.

Kettakaitse eemaldamiseks järgige paigaldamise protseduuri vastupidises järjekorras.

## Nõgusa keskosaga ketta või lamellketta paigaldamine või eemaldamine

### Valikuline tarvik

**⚠️HOIATUS:** Kui kasutate nõgusa keskosaga ketast või lamellketast, tuleb kettakaitse paigaldada tööriista külge nii, et kaitsme kinnine külg jääks alati operaatori poole.

**⚠️ETTEVAATUST:** Veenduge, et siseääriku paigaldusosa sobiks suurepäraselt nõgusa keskosaga ketta / lamellketta siseläbimõõduga. Siseääriku paigaldamine valele küljele võib põhjustada ohtlikku vibratsiooni.

Paigaldage siseääriku völliile.

Asetage siseääriku süvendatud pool kindlasti völli põhjas sirgele osale.

Paigaldage nõgusa keskosaga ketas / lamellketas siseääriku peale ja keerake fiksaatormutter völli külge.

▶ **Joon.9:** 1. Fiksaatormutter 2. Nõgusa keskosaga ketas 3. Siseäärik 4. Paigaldusosa

Fiksaatormutri pingutamiseks suruge tugevalt völli lukustusnuppu nii, et völli ei saaks pöörelda, ning pingutage fiksaatormutrit fiksaatormutri jaoks ettenähtud võtmega päripäeva.

▶ **Joon.10:** 1. Fiksaatormutri vöti 2. Völliuluk

Ketta eemaldamiseks järgige paigaldamise protseduuri vastupidises järjekorras.

## Löikeketta paigaldamine või eemaldamine

### Valikuline tarvik

**⚠️HOIATUS:** Kasutage alati kaasasolevat kaitset, kui tööriistal on painduv ketas. Kui ketas peaks töötamisel tükikideks purunema, aitab kaitse vigastusi vältida.

▶ **Joon.11:** 1. Fiksaatormutter 2. Painduv ketas 3. Tugipadi 4. Siseäärik

Järgige nõgusa keskosaga ketta juhtnõore, kuid kasutage kettal ka tugipatja. Vt kokkupaneku järjekorda selle kasutusjuhendi tarvikute leheküljelt.

## Lihvketta paigaldamine või eemaldamine

### Valikuline tarvik

**MÄRKUS:** Kasutage kasutusjuhendis nimetatud lihvtarvikuid. Need tuleb osta eraldi.

## 100 mm mudel

▶ **Joon.12:** 1. Lihvimise fiksaatormutter 2. Lihvketas 3. Kummist tugiketas 4. Siseäärik

1. Paigaldage siseäärik völliile.
2. Paigaldage kummist tugiketas völliile.
3. Sobitage ketas kummist tugikettale ja kruvige lihvimise fiksaatormutter völliile.
4. Hoidke völli koos völliulukuga ja pingutage lihvimise fiksaatormutrit lukustusmutri mutrivõtmega päripäeva.

Ketta eemaldamiseks tegutsege paigaldamise protseduurile vastupidises järjekorras.

## 115 mm / 125 mm mudel

▶ **Joon.13:** 1. Lihvimise fiksaatormutter 2. Lihvketas 3. Kummist tugiketas

1. Paigaldage kummist tugiketas völliile.
2. Sobitage ketas kummist tugikettale ja kruvige lihvimise fiksaatormutter völliile.
3. Hoidke völli koos völliulukuga ja pingutage lihvimise fiksaatormutrit lukustusmutri mutrivõtmega päripäeva.

Ketta eemaldamiseks tegutsege paigaldamise protseduurile vastupidises järjekorras.

## Ezynuti paigaldamine või eemaldamine

### Valikuline tarvik

**⚠ETTEVAATUST:** Ärge kasutage Ezynutit supeerärikuga ega nurklihvijaga, mille mudeli numbril lõpus on „F“. Need äärikud on nii paksud, et võlli ei suuda tervet keeret kinni hoida.

► **Joon.14:** 1. Ezynut 2. Lihvketas 3. Sisemine flanš 4. Võll

Paigaldage siseäärik, lihvketas ja Ezynut võllile nii, et Makita logo jääks Ezynutil väljapoole.

► **Joon.15:** 1. Võllilukk

Vajutage tugevasti võllilukule ja kinnitage Ezynut, keerates lihvketast päripäeva lõpuni.

Avamiseks pöörake Ezynuti välisrõngast vastupäeva.

► **Joon.16:** 1. Nool 2. Sälk

► **Joon.17**

**MÄRKUS:** Ezynuti saab avada käsitsi siis, kui nool osutab sälgule. Vastasel korral kasutage avamiseks mutrivõtit. Sisestage mutrivõtme üks sõrm avasse ja pöörake Ezynuti vastupäeva.

## Lihv-/teemantketta paigaldamine

### Valikuline tarvik

**⚠HOIATUS:** Kui kasutate lihv-/teemantketast, siis valige kindlasti spetsiaalselt selle lõikekettaga kasutamiseks mõeldud kettakaitse.

(Mõnes Euroopa riigis võib teemantketta puhul kasutada tavalist kettakaitset. Järgige oma riigis kehtivaid eeskirju.)

**⚠HOIATUS:** ÄRGE KUNAGI kasutage lõikeketast küglihvimiseks.

► **Joon.18:** 1. Fiksaatormutter 2. Lihv-/teemantketas 3. Siseäärik 4. Lihv-/teemantketta ketta kaitse

Paigaldamisel järgige nõgusa keskosaga ketast puudutavaid juhtnõure.

**Fiksaatormutri ja siseääriku suund on oleneb monteerimisel ketta tüübist ja paksusest.**

Vt järgmisi jooniseid.

### 100 mm mudel

#### Lihvketta paigaldamine:

► **Joon.19:** 1. Fiksaatormutter 2. Lihvketas (õhem kui 4 mm) 3. Lihvketas (4 mm või paksem) 4. Siseäärik

#### Teemantketta paigaldamine:

► **Joon.20:** 1. Fiksaatormutter 2. Teemantketas (õhem kui 4 mm) 3. Teemantketas (4 mm või paksem) 4. Siseäärik

### 115 mm / 125 mm mudel

#### Lihvketta paigaldamine:

► **Joon.21:** 1. Fiksaatormutter 2. Lihvketas (õhem kui 4 mm) 3. Lihvketas (4 mm või paksem) 4. Siseäärik

#### Teemantketta paigaldamine:

► **Joon.22:** 1. Fiksaatormutter 2. Teemantketas (õhem kui 4 mm) 3. Teemantketas (4 mm või paksem) 4. Siseäärik

## Traatidega kaussharja paigaldamine

### Valikuline tarvik

**⚠ETTEVAATUST:** Ärge kasutage kahjustatud või balansseerimata harja. Kahjustatud harja kasutamine võib suurendada harja katkiste terasharjaste põhjustatud vigastusohu.

► **Joon.23:** 1. Kausshari Terasharjad

Eemaldage akukassett tööriista küljest ja asetage tööriist tagurpidi, et võimaldada hõlpsat juurdepääsu võllile.

Eemaldage võllilt kõik tarvikud. Paigaldage terashari võllile ja keerake kaasasoleva mutrivõtme kinni.

## Ketastraatharja paigaldamine

### Valikuline tarvik

**⚠ETTEVAATUST:** Ärge kasutage kahjustatud või tasakaalustamata ketastraatharja. Kahjustatud ketastraatharja kasutamine võib suurendada katkiste harjaste põhjustatud vigastusohu.

**⚠ETTEVAATUST:** Kasutage ketastraatharjadega töötamisel ALATI kaitset, valides ketta diametri sobiva suuruse. Kui ketas peaks töötamisel tükki purunema, aitab kaitse vigastusi vältida.

► **Joon.24:** 1. Ketastraathari

Eemaldage akukassett tööriista küljest ja asetage tööriist tagurpidi, et võimaldada hõlpsat juurdepääsu võllile.

Eemaldage võllilt kõik tarvikud. Keerake ketastraathari võllile ja kinnitage mutrivõtme.

## TÖÖRIISTA KASUTAMINE

**⚠HOIATUS:** Ärge kasutage tööriista suhtes kunagi jõudu. Tööriista enda raskus annab piisava surve. Ülemäärane surumine ja surve võivad põhjustada ketta ohtliku purunemise.

**⚠HOIATUS:** Vahetage ketas ALATI välja, kui tööriist on käimise ajal maha kukkunud.

**⚠HOIATUS:** Ärge lööge KUNAGI käiaketast vastu töödeldavat detaili.

**⚠HOIATUS:** Vältige ketta kinnikiilumist ja vastu töödeldavat pinda pörkumist, eriti siis, kui töötate nurkades ja teravate servadega jne. See võib põhjustada ohtlikke tagasilööke.

**⚠HOIATUS:** Ärge kasutage tööriista puude saagimise saelehdedega ega muude saelehdedega. Selliste saelehdede kasutamisel lihvijaga annavad need sageli tagasilöögi ja toovad endaga kaasa kontrolli kaotamise, mis põhjustab vigastuste tekkimist.

**⚠ETTEVAATUST:** Ärge käivitage kunagi tööriista, mis on kontaktis töödeldava pinnaga või detailiga, sest see võib kaasa tuua ohtlikke vigastusi.

**⚠ETTEVAATUST:** Kandke töö juures alati kaitseprille või näokatet.

**⚠ETTEVAATUST:** Pärast tööd lülitage tööriist alati välja ja oodake enne tööriista käest panemist, kuni ketas on täielikult seiskunud.

**⚠ETTEVAATUST:** Hoidke tööriista ALATI kindlalt ühe käega korpusest ja teisega külgakäepidemest.

## Käiamise ja lihvimise režiim

► Joon.25

Lülitage tööriist sisse ja alustage seejärel kettaga pinda või detaili töötlemist.

Tavaliselt hoidke ketta serva töödeldava pinnaga suhtes 15° nurga all.

Uue ketta sissetöötamisperioodil ärge töötage käiaega edasisuunas; sest muidu võib ketas lõikuda töödeldavasse pinda. Kui ketta serv on töö käigus ümaraks muutunud, võib ketta kasutada nii edasi- kui ka tagasisuunas.

## Lihv-/teemantketta käitamine

*Valikuline tarvik*

**⚠HOIATUS:** Ärge ummistage ketast ega rakendage liigset jõudu. Ärge püüdke teha liiga sügavat lõiget. Liigse jõu rakendamine suurendab koormust ja ketta väänamist või kinnikiilumist tööriista lõikekõltsel ja tagasilöögi, ketta purunemise ja mootori ülekuumenemise võimalusi.

**⚠HOIATUS:** Ärge käivitage töödeldava detaili lõikeoperatsiooni. Laske kettal saavutada täiskiiirus ja sisenege hoolikalt lõikesse, liigutades tööriista üle töödeldava detaili pinnaga. Kui elektritööriista taaskäivitatakse töödeldava detaili sees, võib ketas kinni jääda, ülespoole liikuda või põhjustada tagasilöögi.

**⚠HOIATUS:** Ärge kunagi muutke ketta nurka lõikeoperatsiooni ajal. Lõikeketastele külgsurve rakendamine (nagu lihvimisel) põhjustab ketta mõramist ja purunemist, mis võib kaasa tuua tõsisid vigastusi.

**⚠HOIATUS:** Teemantkettast tuleb kasutada lõigatava materjali suhtes ristloodis.

**Kasutusnäide: töötamine lõikekettaga**

► Joon.26

**Kasutusnäide: töötamine teemantkettaga**

► Joon.27

## Traatidega kaussharja käitamine

*Valikuline tarvik*

**⚠ETTEVAATUST:** Kontrollige harja tööd, lastes tööriistal tühjalt käia ja kandes hoolt selle eest, et keegi ei asuks harja ees või sellega ühel joonel.

**TÄHELEPANU:** Vältige liigse surve avaldamist, mis võiks põhjustada traatidega kaussharja kasutamise ajal traatide ülepaandumist. See võib tuua kaasa enneaegse purunemise.

**Kasutusnäide: töötamine traatidega kaussharjaga**

► Joon.28

## Ketastraatharja käitamine

*Valikuline tarvik*

**⚠ETTEVAATUST:** Kontrollige ketastraatharja tööd, lastes tööriistal tühjalt käia ja kandes hoolt selle eest, et keegi ei asuks ketastraatharja ees või sellega ühel joonel.

**TÄHELEPANU:** Vältige liigse jõu rakendamist, mis põhjustab traatide ülemäärast paindumist ketastraatharja kasutamise ajal. See võib põhjustada enneaegset purunemist.

**Kasutusnäide: töötamine ketastraatharjaga**

► Joon.29

## HOOLDUS

**⚠ETTEVAATUST:** Enne kontroll- või hooldustoimingute tegemist kandke alati hoolt selle eest, et tööriist oleks välja lülitatud ja akukassett korpuse küljest eemaldatud.

**TÄHELEPANU:** Ärge kunagi kasutage bensiini, vedeldit, alkoholi ega midagi muud sarnast. Selle tulemuseks võib olla luitumine, deformatsioon või pragunemine.

Toote OHUTUSE ja TÕÕKINDLUSE tagamiseks tuleb vajalikud remonttööd, muud hooldus- ja reguleerimistööd lasta teha Makita volitatud teeninduskeskustes. Alati tuleb kasutada Makita varuosi.

## Ventilatsiooniava puhastamine

Tööriist ja selle ventilatsiooniavad peavad olema puhastatud. Puhastage tööriista ventilatsiooniavasid regulaarselt või siis, kui need hakkavad ummistuma.

► Joon.30: 1. Väljalaskeava 2. Sisselaskeava

Eemaldage ventilatsiooniavalt tolmukate ja puhastage seda, et tagada sujuv õhuringlus.

► Joon.31: 1. Tolmukate

**TÄHELEPANU:** Puhastage tolmukatet, kui see on tolmuga või võõrkehadega ummistunud. Töö jätkamine ummistunud tolmukatega võib tööriista kahjustada.

# VALIKULISED TARVIKUD

**⚠ETTEVAATUST:** Neid tarvikuid ja lisaseadiseid on soovitat kasutada koos Makita tööriistaga, mille kasutamist selles kasutusjuhendis kirjeldatakse. Muude tarvikute ja lisaseadiste kasutamisega kaasneb vigastada saamise oht. Kasutage tarvikuid ja lisaseadiseid ainult otstarbekohaselt.

Saate vajaduse korral kohalikust Makita teeninduskeskusest lisateavet nende tarvikute kohta.

- Makita algupärane aku ja laadija

► Joon.32

-	100 mm mudel	115 mm mudel	125 mm mudel
1	Käepide 36		
2	Kettakaitse (lihvketas)		
3	Siseäärrik		
4	Nõgusa keskosaga ketas / lamellketas		
5	Fiksaatormutter		
6	Tugipadi		
7	Painduv ketas		
8	Siseäärrik ja kummist tugiketas 76	Kummist tugiketas nr 100	Kummist tugiketas nr 115
9	Lihvketas		
10	Lihvimise fiksaatormutter		
11	Ketastraathari		
12	Kausshari Terasharjad		
13	Kettakaitse (löikeketas) *1		
14	Lihv-/teemantketas		
-	Fiksaatormutri võti		

**MÄRKUS:** \*1 Osas Euroopa riikides võib teemantketta kasutamisel kasutada tavalist kaitsekatet, mitte mõlemat ketta külge varjavat spetsiaalset kaitsekatet. Järgige oma riigis kehtivaid eeskirju.

**MÄRKUS:** Mõned nimekirjas loetletud tarvikud võivad kuuluda standardvarustusse ning need on lisatud tööriista pakendisse. Need võivad riigiti erineda.

## ТЕХНИЧЕСКИЕ ХАРАКТЕРИСТИКИ

Модель:	GA011G	GA012G	GA013G	GA014G	GA015G	GA016G
Диаметр диска	100 мм (4 дюйма)	115 мм (4-1/2 дюйма)	125 мм (5 дюйма)	100 мм (4 дюйма)	115 мм (4-1/2 дюйма)	125 мм (5 дюйма)
Макс. толщина диска	6,4 мм	7,2 мм		6,4 мм	7,2 мм	
Резьба шпинделя	M10	M14 или 5/8дюйма (зависит от страны)		M10	M14 или 5/8 дюйма (в зависимости от страны)	
Номинальное число оборотов (n)	8 500 мин <sup>-1</sup>					
Общая длина	с BL4025	398 мм				
	с BL4040	410 мм				
Масса нетто	2,8–3,4 кг	3,0–3,6 кг	2,8–3,3 кг	2,9–3,5 кг	2,9–3,6 кг	
Номинальное напряжение	36–40 В пост. тока макс.					

- Благодаря нашей постоянно действующей программе исследований и разработок указанные здесь технические характеристики могут быть изменены без предварительного уведомления.
- Технические характеристики могут различаться в зависимости от страны.
- Масса может отличаться в зависимости от дополнительного оборудования. Обратите внимание, что блок аккумулятора также считается дополнительным оборудованием. В таблице представлены комбинации с наибольшим и наименьшим весом в соответствии с процедурой EPTA 01/2014.

### Подходящий блок аккумулятора и зарядное устройство

Блок аккумулятора	BL4025 / BL4040
Зарядное устройство	DC40RA

- В зависимости от региона проживания некоторые блоки аккумуляторов и зарядные устройства, перечисленные выше, могут быть недоступны.

**⚠ОСТОРОЖНО:** Используйте только перечисленные выше блоки аккумуляторов и зарядные устройства. Использование других блоков аккумуляторов и зарядных устройств может привести к травме и/или пожару.

### Назначение

Инструмент предназначен для шлифовки, зачистки и резки материалов из металла и камня без использования воды.

### Шум

Типичный уровень взвешенного звукового давления (A), измеренный в соответствии с EN60745-2-3:

Модель	Уровень звукового давления (L <sub>рA</sub> ): (дБ (A))	Уровень звуковой мощности (L <sub>WA</sub> ): (дБ (A))	Погрешность (K): (дБ (A))
GA011G	81	92	3
GA012G	81	92	3
GA013G	82	93	3
GA014G	81	92	3
GA015G	81	92	3
GA016G	82	93	3

**ПРИМЕЧАНИЕ:** Заявленное значение распространения шума измерено в соответствии со стандартной методикой испытаний и может быть использовано для сравнения инструментов.

**ПРИМЕЧАНИЕ:** Заявленное значение распространения шума можно также использовать для предварительных оценок воздействия.

**⚠ОСТОРОЖНО:** Используйте средства защиты защиты слуха.

**⚠ОСТОРОЖНО:** Распространение шума во время фактического использования электроинструмента может отличаться от заявленного значения в зависимости от способа применения инструмента и в особенности от типа обрабатываемой детали.

**⚠ОСТОРОЖНО:** Обязательно определите меры безопасности для защиты оператора, основанные на оценке воздействия в реальных условиях использования (с учетом всех этапов рабочего цикла, таких как выключение инструмента, работа без нагрузки и включение).

## Вибрация

Суммарное значение вибрации (сумма векторов по трем осям), определенное в соответствии с EN60745-2-3:

**Рабочий режим: шлифование поверхности с использованием обычной боковой ручки**

Модель	Распространение вибрации ( $a_{h, AG}$ ): ( $m/c^2$ )	Погрешность (K): ( $m/c^2$ )
GA011G	4,5	1,5
GA012G	5,0	1,5
GA013G	6,0	1,5
GA014G	4,5	1,5
GA015G	5,0	1,5
GA016G	6,0	1,5

**Рабочий режим: шлифование поверхности с использованием antivибрационной боковой ручки**

Модель	Распространение вибрации ( $a_{h, AG}$ ): ( $m/c^2$ )	Погрешность (K): ( $m/c^2$ )
GA011G	4,5	1,5
GA012G	5,0	1,5
GA013G	6,5	1,5
GA014G	4,5	1,5
GA015G	5,0	1,5
GA016G	6,5	1,5

**Рабочий режим: шлифование с использованием обычной боковой ручки**

Модель	Распространение вибрации ( $a_{h, AG}$ ): ( $m/c^2$ )	Погрешность (K): ( $m/c^2$ )
GA011G	2,5 $m/c^2$ или меньше	1,5
GA012G	2,5	1,5
GA013G	3,0	1,5
GA014G	2,5 $m/c^2$ или меньше	1,5
GA015G	2,5	1,5
GA016G	3,0	1,5

**Рабочий режим: шлифование с использованием antivибрационной боковой ручки**

Модель	Распространение вибрации ( $a_{h, AG}$ ): ( $m/c^2$ )	Погрешность (K): ( $m/c^2$ )
GA011G	2,5 $m/c^2$ или меньше	1,5
GA012G	2,5	1,5
GA013G	3,0	1,5
GA014G	2,5 $m/c^2$ или меньше	1,5
GA015G	2,5	1,5
GA016G	3,0	1,5

**ПРИМЕЧАНИЕ:** Заявленное общее значение распространения вибрации измерено в соответствии со стандартной методикой испытаний и может быть использовано для сравнения инструментов.

**ПРИМЕЧАНИЕ:** Заявленное общее значение распространения вибрации можно также использовать для предварительных оценок воздействия.



**⚠ОСТОРОЖНО:** Распространение вибрации во время фактического использования электроинструмента может отличаться от заявленного значения в зависимости от способа применения инструмента и в особенности от типа обрабатываемой детали.

**⚠ОСТОРОЖНО:** Обязательно определите меры безопасности для защиты оператора, основанные на оценке воздействия в реальных условиях использования (с учетом всех этапов рабочего цикла, таких как выключение инструмента, работа без нагрузки и включение).

**⚠ОСТОРОЖНО:** Заявленное значение распространения вибрации относится к основным операциям, выполняемым с помощью электроинструмента. Однако если электроинструмент используется для других целей, уровень вибрации может отличаться.

## Декларация о соответствии ЕС

*Только для европейских стран*

Декларация о соответствии ЕС включена в руководство по эксплуатации (Приложение А).

## МЕРЫ БЕЗОПАСНОСТИ

### Общие рекомендации по технике безопасности для электроинструментов

**⚠ОСТОРОЖНО:** Ознакомьтесь со всеми представленными инструкциями по технике безопасности, указаниями, иллюстрациями и техническими характеристиками, прилагаемыми к данному электроинструменту. Несоблюдение каких-либо инструкций, указанных ниже, может привести к поражению электрическим током, пожару и/или серьезной травме.

### Сохраните брошюру с инструкциями и рекомендациями для дальнейшего использования.

Термин "электроинструмент" в предупреждениях относится ко всему инструменту, работающему от сети (с проводом) или на аккумуляторах (без провода).

### Правила техники безопасности при эксплуатации аккумуляторной шлифовальной машины

Общие предупреждения о правилах техники безопасности при выполнении шлифования, зачистки проволочной щеткой или абразивной резки:

1. Данный электроинструмент предназначен для шлифования, зачистки проволочной щеткой и абразивной резки. Ознакомьтесь со всеми представленными инструкциями по технике безопасности, указаниями, иллюстрациями и техническими характеристиками, прилагаемыми к данному электроинструменту. Несоблюдение каких-либо инструкций, указанных ниже, может привести к поражению электрическим током, пожару и/или серьезной травме.

2. Не рекомендуется пользоваться данным инструментом для выполнения таких операций, как полировка. Использование инструмента не по прямому назначению может привести к опасной ситуации и стать причиной травмы.
3. Не используйте принадлежности других производителей, не рекомендованные производителем данного инструмента. Даже если принадлежность удастся закрепить на инструменте, это не обеспечит безопасность эксплуатации.
4. Номинальная скорость принадлежностей должна быть как минимум равна максимальной скорости, обозначенной на инструменте. При превышении номинальной скорости принадлежности она может разломиться на части.
5. Внешний диаметр и толщина принадлежности должны соответствовать номинальной мощности инструмента. Принадлежности, размер которых подобран неверно, не гарантируют безопасности и точности управления.
6. Резьбовые отверстия дополнительных принадлежностей должны совпадать с резьбой шпинделя шлифмашины. Для принадлежностей, устанавливаемых с помощью фланцев, отверстие для шпинделя на принадлежности должно соответствовать диаметру фланца. Принадлежности, не соответствующие монтажному креплению электроинструмента, приведут к разбалансировке, сильной вибрации и потере контроля.
7. Не используйте поврежденные принадлежности. Перед каждым использованием принадлежностей типа абразивных дисков проверяйте их на наличие сколов и трещин, проверяйте опорные фланцы на наличие трещин, задигов или чрезмерного износа, а проволочные щетки - на наличие выпавших или сломанных проволок. Если вы уронили инструмент или принадлежность, осмотрите их на предмет повреждений или установите исправную принадлежность. После осмотра и установки принадлежности встаньте в безопасном положении относительно плоскости вращения принадлежности (и проследите, чтобы это сделали окружающие) и включите инструмент на максимальной скорости без нагрузки на одну минуту. Поврежденная принадлежность обычно ломается в течение пробного периода.

8. **Надевайте индивидуальные средства защиты. В зависимости от выполняемых операций используйте защитную маску или защитные очки. При необходимости надевайте респиратор, средство защиты органов слуха, перчатки и защитный передник для защиты от небольших частиц абразивных материалов или детали.** Средства защиты органов зрения должны предохранять от летящих фрагментов, появляющихся при выполнении различных операций. Пылезащитная маска или респиратор должны обеспечивать фильтрацию пыли, возникающей во время работы. Продолжительное воздействие сильного шума может стать причиной потери слуха.
9. **Посторонние лица должны находиться на безопасном расстоянии от рабочей зоны. Любую приближающуюся к рабочему месту человек должен предварительно надеть индивидуальные средства защиты.** Осколки заготовки или сломавшейся принадлежности могут разлететься и причинить травму даже на значительном удалении от рабочего места.
10. **Если при выполнении работ существует риск контакта режущего инструмента со скрытой электропроводкой, держите электроинструмент только за специально предназначенные изолированные поверхности.** Контакт с проводом под напряжением приведет к тому, что металлические детали инструмента также будут под напряжением, что приведет к поражению оператора электрическим током.
11. **Не кладите инструмент, пока принадлежность полностью не остановится.** Вращающаяся насадка может коснуться поверхности, и вы не удержите инструмент.
12. **Не включайте инструмент во время переноски.** Случайный контакт с вращающейся принадлежностью может привести к заземлению одежды и притягиванию принадлежности к телу.
13. **Регулярно прочищайте вентиляционные отверстия инструмента.** Вентилятор электродвигателя засасывает пыль внутрь корпуса, а значительные отложения металлической пыли могут привести к поражению электрическим током.
14. **Не используйте инструмент вблизи горючих материалов.** Эти материалы могут воспламениться от искр.
15. **Не используйте принадлежности, требующие жидкостного охлаждения.** Использование воды или других охлаждающих жидкостей может привести к поражению электротоком.

#### **Отдача и соответствующие предупреждения**

Отдача – это мгновенная реакция на неожиданное застопоривание вращающегося диска, опорной подушки, щетки или другой принадлежности. Зажимание или застопоривание вызывает резкий останов вращающейся принадлежности, что, в свою очередь, приводит к неконтролируемому рывку инструмента в направлении, противоположном вращению принадлежности в момент застревания.

Например, если абразивный диск зажимается или прихватывается деталью, край диска, находящийся в точке заклинивания, может углубиться в поверхность детали, что приведет к выкалыванию или выскакиванию диска. Диск может совершить рывок в направлении оператора или обратно, в зависимости от направления перемещения диска в точке заклинивания. Также в этих условиях абразивные диски могут сломаться.

Отдача – это результат неправильного использования электроинструмента и/или неправильных методов или условий работ, чего можно избежать, соблюдая нижеуказанные меры предосторожности.

1. **Крепко держите электроинструмент и располагайте свое тело и руки так, чтобы можно было сопротивляться силам отдачи. Обязательно пользуйтесь вспомогательной рукояткой (при наличии), чтобы обеспечить максимальный контроль над отдачей или крутящим моментом во время пуска.** Оператор способен справиться с крутящим моментом и силами отдачи при условии соблюдения соответствующих мер безопасности.
2. **Берегите руки от вращающейся насадки.** При отдаче насадка может задеть ваши руки.
3. **Не становитесь на возможной траектории движения инструмента в случае отдачи.** При отдаче инструмент сместится в направлении, противоположном вращению диска в момент застревания.
4. **Соблюдайте особую осторожность при обработке углов, острых краев и т. п. Не допускайте ударов и застревания принадлежности.** Углы, острые края и удары способствуют прихватыванию вращающейся принадлежности, которое приводит к выходу из-под контроля или отдаче.
5. **Не устанавливайте на инструмент пильную цепь, принадлежность для резьбы по дереву или пильный диск.** Такие пилы часто дают отдачу и приводят к потере контроля.

#### **Специальные предупреждения о безопасности для операций шлифования и абразивной резки:**

1. **Используйте диски только рекомендованных для вашего электроинструмента типов и специальные защитные приспособления, разработанные для выбранного диска.** Диски, не предназначенные для данного инструмента, не обеспечивают достаточную степень защиты и небезопасны.
2. **Шлифовальная поверхность дисков с утопленным центром должна быть установлена под плоской поверхностью кромки кожуха.** Для неправильно установленного диска, выступающего над плоской поверхностью кромки кожуха, надлежащая защита не гарантируется.
3. **Ограждение должно быть надежно закреплено на инструменте и расположено для обеспечения максимальной защиты таким образом, чтобы как можно меньший сегмент диска выступал наружу.** Кожух помогает обезопасить оператора от разлета осколков разрушившегося диска, случайного прикосновения к диску и искр, которые могут воспламенить одежду.

4. Диски должны использоваться только по рекомендованному назначению. Например: не шлифуйте краем отрезного диска. Абразивные отрезные диски предназначены для периферийного шлифования, и боковые усилия, приложенные к таким дискам, могут вызвать их разрушение.
5. **Обязательно используйте неповрежденные фланцы для дисков соответствующего размера и формы.** Подходящие фланцы поддерживают диск, снижая вероятность его повреждения. Фланцы для отрезных дисков могут отличаться от фланцев для шлифовальных дисков.
6. **Не используйте изношенные диски от более крупных электроинструментов.** Диски, предназначенные для более мощного электроинструмента, не подходят для высокоскоростного электроинструмента меньшей мощности и могут разломиться.

**Дополнительные специальные предупреждения о безопасности для операций абразивной резки:**

1. Не “заклинивайте” отрезной диск и не прикладывайте к нему чрезмерное давление. Не пытайтесь делать слишком глубокий разрез. Перенапряжение диска увеличивает нагрузку и вероятность искривления или застревания диска в прорези, а также отдачи или поломки диска.
2. **Не становитесь на возможной траектории движения вращающегося диска и позади него.** Если во время работы диск движется от вас, то при отдаче вращающийся диск и инструмент может отбросить прямо на вас.
3. **Если диск застревает или процесс резания прерывается по другой причине, выключите электроинструмент и держите его неподвижно до полной остановки диска.** Не пытайтесь извлечь отрезной диск из разреза до полной остановки диска, в противном случае может возникнуть отдача. Выясните и устраните причину застревания диска.
4. **Не перезапускайте отрезной диск, пока он находится в детали.** Дождитесь, пока диск разовьет максимальную скорость, и осторожно погрузите его в разрез. Диск может застрять, отдача может отбросить его вверх или назад, если перезапустить электроинструмент непосредственно в детали.
5. **Устанавливайте опоры под панели или большие детали, чтобы уменьшить риск застревания диска и возникновения отдачи.** Большие детали имеют тенденцию к прогибанию под собственным весом. При резании таких панелей необходимо поместить опоры под разрезаемую деталью рядом с линией разреза и рядом с краем детали с обеих сторон диска.
6. **Будьте особенно осторожны при выполнении врезки в существующих стенах или на других участках, недоступных для осмотра.** Выступающая часть диска может перерезать газовые или водопроводные трубы, электропроводку или детали, что может вызвать отдачу.

**Специальные инструкции по технике безопасности для выполнения операций шлифовки:**

1. **Не пользуйтесь наждачной бумагой слишком большого размера.** При выборе наждачной бумаги следуйте рекомендациям производителя. Большие размеры наждачной бумаги, выступающей за края подложки, могут привести к разрыву бумаги, застреванию, разрушению круга или отдаче.

**Специальные инструкции по технике безопасности, относящиеся к операциям очистки проволоочной щеткой:**

1. **Берегитесь проволоки, которые разлетаются от щетки даже в нормальном режиме работы.** Не прикладывайте чрезмерное усилие на проволоку, слишком сильно нажимая на щетку. Проволока щетки может легко пробить одежду и/или кожу.
2. **Если для работы по очистке проволоочными щетками рекомендуется использовать кожух, не допускайте контакта проволоочного диска или щетки с кожухом.** Проволоочный диск или щетка могут увеличиваться в диаметре под воздействием нагрузки и центробежных сил.

**Дополнительные правила техники безопасности:**

1. При применении дисков с утолщенным центром используйте только диски, армированные стекловолокном.
2. **ЗАПРЕЩАЕТСЯ ИСПОЛЬЗОВАТЬ** с этим инструментом шлифовальные чашки для камня. Данная шлифмашина не предназначена для дисков такого типа, их использование может привести к тяжелой травме.
3. **Будьте осторожны во избежание повреждения шпинделя, фланца (особенно его установочной поверхности) или контргайки.** Повреждения этих деталей могут привести к поломке диска.
4. **Перед включением выключателя убедитесь, что диск не касается детали.**
5. **Перед использованием инструмента на реальной детали дайте ему немного поработать холостую.** Следите за вибрацией или биением, которые могут свидетельствовать о неправильной установке или плохой балансировке диска.
6. **Для выполнения шлифования пользуйтесь соответствующей поверхностью диска.**
7. **Не оставляйте работающий инструмент без присмотра.** Включайте инструмент только тогда, когда он находится в руках.
8. **Сразу после окончания работ не прикасайтесь к обработанной детали.** Она может быть очень горячей, что приведет к ожогам кожи.
9. **Соблюдайте инструкции изготовителя по правильной установке и использованию дисков.** Бережно обращайтесь с дисками и аккуратно храните их.
10. **Не пользуйтесь отдельными переходными втулками или адаптерами для крепления абразивных дисков с большими отверстиями.**

11. Пользуйтесь только фланцами, предназначенными для данного инструмента.
  12. Для инструментов, предназначенных для использования дисков с резьбовым отверстием, убедитесь, что резьба диска достаточна, чтобы диск можно было полностью завернуть на шпindel.
  13. Убедитесь, что обрабатываемая деталь имеет надлежащую опору.
  14. Обратите внимание на то, что диск будет некоторое время вращаться после выключения инструмента.
  15. Если в месте выполнения работ очень высокая температура и влажность или наблюдается большое количество токопроводящей пыли, используйте прерыватель цепи (30 мА) для обеспечения безопасности работ.
  16. Не используйте инструмент на любых материалах, содержащих асбест.
  17. При использовании отрезного диска, всегда работайте с защитным кожухом с патрубком для удаления пыли, установка которого необходима в соответствии с местными нормативными требованиями.
  18. Не подвергайте отрезные круги какому-либо боковому давлению.
  19. Не пользуйтесь тканевыми перчатками во время работы. Волокна от тканевых перчаток могут попасть в инструмент и привести к его поломке.
4. В случае попадания электролита в глаза промойте их обильным количеством чистой воды и немедленно обратитесь к врачу. Это может привести к потере зрения.
  5. Не замыкайте контакты аккумуляторного блока между собой:
    - (1) Не прикасайтесь к контактам какими-либо токопроводящими предметами.
    - (2) Не храните аккумуляторный блок в контейнере вместе с другими металлическими предметами, такими как гвозди, монеты и т. п.
    - (3) Не допускайте попадания на аккумуляторный блок воды или дождя.
 Замыкание контактов аккумуляторного блока между собой может привести к возникновению большого тока, перегреву, возможному ожогу и даже поломке блока.
  6. Не храните инструмент и аккумуляторный блок в местах, где температура может достигать или превышать 50 °C (122 °F).
  7. Не бросайте аккумуляторный блок в огонь, даже если он сильно поврежден или полностью вышел из строя. Аккумуляторный блок может взорваться под действием огня.
  8. Запрещено вбивать гвозди в блок аккумулятора, резать, ломать, бросать, ронять блок аккумулятора или ударять его твердым предметом. Это может привести к пожару, перегреву или взрыву.
  9. Не используйте поврежденный аккумуляторный блок.
  10. Входящие в комплект литий-ионные аккумуляторы должны эксплуатироваться в соответствии с требованиями законодательства об опасных товарах.
 

При коммерческой транспортировке, например, третьей стороной или экспедитором, необходимо нанести на упаковку специальные предупреждения и маркировку.

В процессе подготовки устройства к отправке обязательно проконсультируйтесь со специалистом по опасным материалам. Также соблюдайте местные требования и нормы. Они могут быть строже. Закройте или закрепите разомкнутые контакты и упакуйте аккумулятор так, чтобы он не перемещался по упаковке.

## СОХРАНИТЕ ДАННЫЕ ИНСТРУКЦИИ.

**⚠ ОСТОРОЖНО: НЕ ДОПУСКАЙТЕ,** чтобы удушество или опыт эксплуатации данного устройства (полученный от многократного использования) доминировали над строгим соблюдением правил техники безопасности при обращении с этим устройством. **НЕПРАВИЛЬНОЕ ИСПОЛЬЗОВАНИЕ** инструмента или несоблюдение правил техники безопасности, указанных в данном руководстве, может привести к тяжелой травме.

### Важные правила техники безопасности для работы с аккумуляторным блоком

1. Перед использованием аккумуляторного блока прочитайте все инструкции и предупреждающие надписи на (1) зарядном устройстве, (2) аккумуляторном блоке и (3) инструменте, работающем от аккумуляторного блока.
2. Не разбирайте блок аккумулятора и не меняйте его конструкцию. Это может привести к пожару, перегреву или взрыву.
3. Если время работы аккумуляторного блока значительно сократилось, немедленно прекратите работу. В противном случае, может возникнуть перегрев блока, что приведет к ожогу и даже к взрыву.
11. Для утилизации блока аккумулятора извлеките его из инструмента и утилизируйте безопасным способом. Выполняйте требования местного законодательства по утилизации аккумуляторного блока.
12. Используйте аккумуляторы только с продукцией, указанной Makita. Установка аккумуляторов на продукцию, не соответствующую требованиям, может привести к пожару, перегреву, взрыву или утечке электролита.
13. Если инструментом не будут пользоваться в течение длительного периода времени, извлеките аккумулятор из инструмента.
14. Во время и после использования блок аккумулятора может нагреваться, что может стать причиной ожогов или низкотемпературных ожогов. Будьте осторожны при обращении с горячим блоком аккумулятора.

15. Не прикасайтесь к контактам в инструменте сразу после использования, поскольку они могут быть достаточно горячими, чтобы вызвать ожоги.
16. Не допускайте, чтобы обломки, пыль или земля прилипали к контактам, отверстиям и пазам на блоке аккумулятора. Это может привести к снижению эксплуатационных параметров, поломке инструмента или блока аккумулятора.
17. Если инструмент не рассчитан на использование вблизи высоковольтных линий электропередач, не используйте блок аккумулятора вблизи высоковольтных линий электропередач. Это может привести к неисправности, поломке инструмента или блока аккумулятора.

## СОХРАНИТЕ ДАННЫЕ ИНСТРУКЦИИ.

**ВНИМАНИЕ:** Используйте только фирменные аккумуляторные батареи Makita.

Использование аккумуляторных батарей, не произведенных Makita, или батарей, которые были подвергнуты модификациям, может привести к взрыву аккумулятора, пожару, травмам и повреждению имущества. Это также автоматически аннулирует гарантию Makita на инструмент и зарядное устройство Makita.

## Советы по обеспечению максимального срока службы аккумулятора

1. Заряжайте блок аккумуляторов перед его полной разрядкой. Обязательно прекратите работу с инструментом и зарядите блок аккумуляторов, если вы заметили снижение мощности инструмента.
2. Никогда не подзаряжайте полностью заряженный блок аккумуляторов. Перезарядка сокращает срок службы аккумулятора.
3. Заряжайте блок аккумуляторов при комнатной температуре в 10 - 40 °C (50 - 104 °F). Перед зарядкой горячего блока аккумуляторов дайте ему остыть.
4. Если блок аккумулятора не используется, извлеките его из инструмента или зарядного устройства.
5. Зарядите ионно-литиевый аккумуляторный блок, если вы не будете пользоваться инструментом длительное время (более шести месяцев).

## ОПИСАНИЕ РАБОТЫ

**ВНИМАНИЕ:** Перед регулировкой или проверкой функций инструмента обязательно убедитесь, что он выключен и его аккумуляторный блок снят.

### Установка или снятие блока аккумулятора

**ВНИМАНИЕ:** Обязательно выключайте инструмент перед установкой и извлечением аккумуляторного блока.

**ВНИМАНИЕ:** При установке и извлечении аккумуляторного блока крепко удерживайте инструмент и аккумуляторный блок. Если не соблюдать это требование, они могут выскользнуть из рук, что приведет к повреждению инструмента, аккумуляторного блока и травмированию оператора.

► **Рис.1:** 1. Красный индикатор 2. Кнопка 3. Блок аккумулятора

Для снятия аккумуляторного блока нажмите кнопку на лицевой стороне и извлеките блок.

Для установки аккумуляторного блока совместите выступ аккумуляторного блока с пазом в корпусе и задвиньте его на место. Устанавливайте блок до упора так, чтобы он зафиксировался на месте с небольшим щелчком. Если вы можете видеть красный индикатор на верхней части клавиши, адаптер аккумулятора не полностью установлен на месте.

**ВНИМАНИЕ:** Обязательно устанавливайте аккумуляторный блок до конца, чтобы красный индикатор не был виден. В противном случае аккумуляторный блок может выпасть из инструмента и нанести травму вам или другим людям.

**ВНИМАНИЕ:** Не прилагайте чрезмерных усилий при установке аккумуляторного блока. Если блок не двигается свободно, значит он вставлен неправильно.

### Индикация оставшегося заряда аккумулятора

Нажмите кнопку проверки на аккумуляторном блоке для проверки заряда. Индикаторы загорятся на несколько секунд.

► **Рис.2:** 1. Индикаторы 2. Кнопка проверки

Индикаторы			Уровень заряда
Горит	Выкл.	Мигает	
■	■	■	от 75 до 100%
■	■	■	от 50 до 75%
■	□	□	от 25 до 50%
■	□	□	от 0 до 25%
■	□	□	Зарядите аккумуляторную батарею.

Индикаторы			Уровень заряда
Горит	Выкл.	Мигает	
			Возможно, аккумуляторная батарея неисправна.

**ПРИМЕЧАНИЕ:** В зависимости от условий эксплуатации и температуры окружающего воздуха индикация может незначительно отличаться от фактического значения.

## Система защиты инструмента/аккумулятора

На инструменте предусмотрена система защиты инструмента/аккумулятора. Она автоматически отключает питание двигателя для продления срока службы инструмента и аккумулятора. Инструмент автоматически остановится во время работы в следующих случаях:

### Защита от перегрузки

Если из-за способа эксплуатации инструмент/аккумулятор потребляет очень большое количество тока, он автоматически остановится без включения каких-либо индикаторов. В этом случае выключите инструмент и прекратите работу, повлекшую перегрузку инструмента. Затем включите инструмент для перезапуска.

### Защита от перегрева

При перегреве инструмента/аккумулятора инструмент останавливается автоматически. Дайте инструменту остыть перед возобновлением работы.

### Защита от переразрядки

При истощении емкости аккумулятора инструмент автоматически останавливается. В этом случае извлеките аккумулятор из инструмента и зарядите его.

## Выключение защитной блокировки

Если постоянно срабатывает защитная система, инструмент блокируется. В этой ситуации инструмент не запустится даже при выключении и повторном включении. Чтобы выключить защитную блокировку, извлеките аккумулятор, установите его в зарядное устройство и дождитесь окончания зарядки.

### Фиксатор вала

Нажмите на фиксатор вала для предотвращения вращения шпинделя при установке или снятии дополнительных принадлежностей.

► **Рис.3:** 1. Фиксатор вала

**ПРИМЕЧАНИЕ:** Никогда не задействуйте фиксатор вала при вращающемся шпинделе. Это может привести к повреждению инструмента.

## Действие выключателя

**ВНИМАНИЕ:** Перед установкой блока аккумулятора в инструмент обязательно убедиться, что его рычаг переключателя нормально работает и возвращается в положение "OFF" (ВЫКЛ.) при отпускании.

**ВНИМАНИЕ:** В целях безопасности инструмент оснащен рычагом блокировки в выключенном положении, который предотвращает случайное включение инструмента. ЗАПРЕЩЕНО использовать инструмент, если он включается после нажатия рычага переключателя без нажатия рычага разблокировки. ПРЕКРАТИТЕ использование инструмента и передайте его в авторизованный сервисный центр для надлежащего ремонта.

**ВНИМАНИЕ:** Не давите сильно на рычаг переключателя, не нажав на рычаг разблокировки. Это может привести к поломке переключателя.

**ВНИМАНИЕ:** ЗАПРЕЩЕНО фиксировать рычаг разблокировки при помощи липкой ленты и вносить изменения в его конструкцию.

► **Рис.4:** 1. Рычаг разблокировки 2. Рычаг переключателя

Для предотвращения случайного нажатия рычага переключателя оборудован рычагом разблокировки. Для включения инструмента потяните рычаг разблокировки на себя и нажмите на рычаг переключателя. Для включения инструмента отпустите рычаг переключателя.

## Функция предотвращения случайного запуска

При установке блока аккумулятора при нажатии рычага переключателя инструмент не запускается. Для включения инструмента предварительно освободите рычаг переключателя. Затем потяните рычаг разблокировки, после этого – рычаг переключателя.

## Функция электронного контроля крутящего момента

С помощью электронного устройства инструмент определяет, что существует риск защемления диска или другой принадлежности. При выявлении таких рисков инструмент автоматически отключается для предотвращения дальнейшего вращения шпинделя (это не предотвращает отдачу).

Чтобы перезапустить инструмент, сначала отключите его. Устраните причину внезапного снижения скорости вращения и вновь включите инструмент.

## Функция плавного запуска

Функция плавного запуска снижает начальный рывок инструмента.

## Электрический тормоз

Только для модели GA011G / GA012G / GA013G

Электрический тормоз активируется после выключения инструмента.

Тормоз не активируется, если питание отключено (например при извлеченном аккумуляторе), а переключатель находится в положении Вкл.

## СБОРКА

**⚠ВНИМАНИЕ:** Перед регулировкой или проверкой функций инструмента обязательно убедитесь, что он выключен и его аккумуляторный блок снят.

### Установка боковой ручки (рукоятки)

**⚠ВНИМАНИЕ:** Перед работой всегда проверяйте надежность крепления боковой ручки.

Прочно закрепите боковую ручку на месте винтом, как показано на рисунке.

► Рис.5

### Установка или снятие кожуха диска

**⚠ОСТОРОЖНО:** При использовании диска с утопленным центром, откидного круга, гибкого диска или дисковой проволочной щетки установите защитный кожух так, чтобы закрытая сторона кожуха была направлена к оператору.

**⚠ОСТОРОЖНО:** Убедитесь в том, что кожух диска надежно зафиксирован стопорным рычагом в одном из отверстий на кожухе диска.

**⚠ОСТОРОЖНО:** При использовании абразивного отрезного диска/алмазного диска может применяться только специальный защитный кожух, предназначенный для отрезных дисков.

(В некоторых странах Европы при использовании алмазного диска можно применять обычный кожух. Соблюдайте требования нормативов, действующих в вашей стране.)

### Для диска с утопленным центром, откидного круга, гибкого диска, дисковой проволочной щетки / абразивного отрезного диска, алмазного диска

1. Удерживая нажатым стопорный рычаг, установите кожух диска, совместив выступы на кожухе диска с пазами на корпусе подшипника.

► Рис.6: 1. Стопорный рычаг 2. Паз 3. Выступ

2. Удерживая нажатым стопорный рычаг в направлении А, задвиньте кожух диска, удерживая в точках В, как показано на рисунке.

► Рис.7: 1. Кожух диска 2. Отверстие

**ПРИМЕЧАНИЕ:** Надавите на кожух диска в направлении вперед. В противном случае вы не сможете полностью вставить кожух диска.

3. Удерживая стопорный рычаг и кожух диска, как описано на этапе 2, поверните кожух диска в направлении С, после чего измените угол кожуха диска в соответствии с условиями работы.

► Рис.8: 1. Кожух диска 2. Отверстие

**ПРИМЕЧАНИЕ:** Полностью вдавите кожух диска. В противном случае вы не сможете повернуть кожух диска.

Для снятия кожуха диска выполните процедуру установки в обратном порядке.

### Установка и снятие диска с утопленным центром или откидного круга

#### Дополнительные принадлежности

**⚠ОСТОРОЖНО:** При использовании диска с утопленным центром или откидного круга кожух диска должен быть установлен так, чтобы его закрытая сторона была обращена к оператору.

**⚠ВНИМАНИЕ:** Убедитесь, что крепежный компонент внутреннего фланца идеально совпадает с внутренним диаметром диска с утопленным центром/откидного круга. Установка внутреннего фланца не с той стороны может привести к возникновению опасной вибрации.

Установите на шпindelь внутренний фланец. Убедитесь, что часть с выемкой внутреннего фланца установлена на ровный участок у нижней части шпинделя.

Установите диск с утопленным центром/откидной круг на внутренний фланец и закрутите контргайку на шпинделе.

► Рис.9: 1. Контргайка 2. Диск с утопленным центром 3. Внутренний фланец 4. Крепежный компонент

Для заточки контргайки сильно надавите на фиксатор вала, чтобы шпindelь не проворачивался, затем воспользуйтесь ключом контргайки и крепко затяните ее по часовой стрелке.

► Рис.10: 1. Ключ контргайки 2. Фиксатор вала

Для снятия диска выполните процедуру установки в обратном порядке.

### Дополнительные принадлежности

**⚠ОСТОРОЖНО:** При установке на инструмент гибкого диска обязательно используйте прилагаемый кожух. Во время работы диск может разрушиться. Защитный кожух снизит риск получения травмы.

- **Рис.11:** 1. Контргайка 2. Гибкий диск  
3. Вспомогательная подушка  
4. Внутренний фланец

Следуйте указаниям для диска с утопленным центром, а также установите над диском вспомогательную подушку. Порядок сборки дополнительных принадлежностей см. на соответствующей странице данного руководства.

## Установка или снятие абразивного круга

### Дополнительные принадлежности

**ПРИМЕЧАНИЕ:** Используйте принадлежности для шлифования, указанные в данном руководстве. Их необходимо приобретать отдельно.

### Модель 100 мм (4 дюйма)

- **Рис.12:** 1. Шлифовальная контргайка  
2. Абразивный круг 3. Резиновая подушка 4. Внутренний фланец

1. Установите на шпindelь внутренний фланец.
2. Установите резиновую подушку на шпindelь.
3. Установите круг на резиновую подушку и наведите на шпindelь шлифовальную контргайку.
4. Закрепите шпindelь с помощью фиксатора вала и надежно затяните шлифовальную контргайку по часовой стрелке с помощью ключа.

Для снятия круга выполните процедуру установки в обратном порядке.

### Для модели 115 мм (4 - 1/2 дюйма)/125 мм (5 дюймов)

- **Рис.13:** 1. Шлифовальная контргайка  
2. Абразивный круг 3. Резиновая подушка

1. Установите резиновую подушку на шпindelь.
2. Установите круг на резиновую подушку и наведите на шпindelь шлифовальную контргайку.
3. Закрепите шпindelь с помощью фиксатора вала и надежно затяните шлифовальную контргайку по часовой стрелке с помощью ключа.

Для снятия круга выполните процедуру установки в обратном порядке.

### Дополнительные принадлежности

**⚠ВНИМАНИЕ:** Не используйте гайку Ezynut с быстросажимым фланцем или угловой шлифовальной машиной, в конце модели которой указана буква «F». Толщина этих фланцев слишком велика, поэтому шпindelь не сможет удерживать всю резьбу.

- **Рис.14:** 1. Гайка Ezynut 2. Абразивный диск  
3. Внутренний фланец 4. Шпindelь

Установите внутренний фланец, абразивный диск и гайку Ezynut на шпindelь таким образом, чтобы логотип «Makita» на гайке Ezynut был направлен наружу.

- **Рис.15:** 1. Фиксатор вала

Сильно нажмите на фиксатор вала и затяните гайку Ezynut, повернув абразивный диск по часовой стрелке до упора.

Чтобы ослабить гайку Ezynut, поверните ее внешнее кольцо против часовой стрелки.

- **Рис.16:** 1. Стрелка 2. Выемка

- **Рис.17**

**ПРИМЕЧАНИЕ:** Пока стрелка указывает на выемку, гайку Ezynut можно ослабить вручную. В противном случае необходим ключ для контргайки, чтобы ослабить ее. Вставьте один штифт ключа в отверстие и поверните Ezynut против часовой стрелки.

## Установка абразивного отрезного/алмазного диска

### Дополнительные принадлежности

**⚠ОСТОРОЖНО:** При использовании абразивного отрезного диска/алмазного диска может применяться только специальный защитный кожух, предназначенный для отрезных дисков.

(В некоторых странах Европы при использовании алмазного диска можно применять обычный кожух. Соблюдайте требования нормативов, действующих в вашей стране.)

**⚠ОСТОРОЖНО:** ЗАПРЕЩАЕТСЯ использовать отрезной диск для шлифовки боковой поверхностью.

- **Рис.18:** 1. Контргайка 2. Абразивный отрезной диск/алмазный диск 3. Внутренний фланец 4. Защитный кожух для абразивного отрезного диска/алмазного диска

Сведения по установке см. в инструкциях к диску с утопленным центром.

**Направление установки контргайки и внутреннего фланца зависит от толщины и типа диска.** Придерживайтесь следующих значений.



## Модель 100 мм (4 дюйма)

При установке абразивного отрезного диска:

- **Рис.19:** 1. Контргайка 2. Абразивный отрезной диск (тоньше 4 мм (5/32 дюйма)) 3. Абразивный отрезной диск (4 мм (5/32 дюйма) или толще) 4. Внутренний фланец

При установке алмазного диска:

- **Рис.20:** 1. Контргайка 2. Алмазный диск (тоньше 4 мм (5/32 дюйма)) 3. Алмазный диск (4 мм (5/32 дюйма) или толще) 4. Внутренний фланец

## Для модели 115 мм (4 - 1/2 дюйма)/ 125 мм (5 дюймов)

При установке абразивного отрезного диска:

- **Рис.21:** 1. Контргайка 2. Абразивный отрезной диск (тоньше 4 мм (5/32 дюйма)) 3. Абразивный отрезной диск (4 мм (5/32 дюйма) или толще) 4. Внутренний фланец

При установке алмазного диска:

- **Рис.22:** 1. Контргайка 2. Алмазный диск (тоньше 4 мм (5/32 дюйма)) 3. Алмазный диск (4 мм (5/32 дюйма) или толще) 4. Внутренний фланец

## Установка чашечной проволочной щетки

### Дополнительные принадлежности

**⚠ВНИМАНИЕ:** Не используйте поврежденную или разбалансированную щетку. Использование поврежденной щетки может увеличить опасность получения травм от контакта с проволочкой.

- **Рис.23:** 1. Чашечная проволочная щетка

Извлеките блок аккумулятора из инструмента и положите шпинделем вверх, чтобы обеспечить легкий доступ к шпинделю. Снимите со шпинделя все дополнительные принадлежности. Наверните проволочную чашечную щетку на шпиндель и затяните прилагаемым ключом.

## Установка дисковой проволочной щетки

### Дополнительные принадлежности

**⚠ВНИМАНИЕ:** Не используйте поврежденную или разбалансированную дисковую проволочную щетку. Использование поврежденной дисковой проволочной щетки может увеличить риск получения травм от контакта с проволочкой.

**⚠ВНИМАНИЕ:** При работе с дисковой проволочной щеткой ВСЕГДА используйте защитный кожух, убедившись, что диаметр диска соответствует внутреннему диаметру кожуха. Во время работы диск может разрушиться. Защитный кожух снизит риск получения травмы.

## ► Рис.24: 1. Дисковая проволочная щетка

Извлеките блок аккумулятора из инструмента и положите шпинделем вверх, чтобы обеспечить легкий доступ к шпинделю. Снимите со шпинделя все дополнительные принадлежности. Установите дисковую проволочную щетку на шпиндель и затяните ее с помощью ключей.

## ЭКСПЛУАТАЦИЯ

**⚠ОСТОРОЖНО:** Никогда не прилагайте к инструменту чрезмерные усилия. Вес инструмента обеспечивает достаточное давление. Чрезмерное усилие и давление могут привести к опасному разрушению диска.

**⚠ОСТОРОЖНО: ОБЯЗАТЕЛЬНО** замените диск, если при шлифовании инструмент упал.

**⚠ОСТОРОЖНО: ЗАПРЕЩАЕТСЯ** стучать и бить шлифовальным кругом по обрабатываемой детали.

**⚠ОСТОРОЖНО:** Избегайте подпрыгивания и зацепления диска, особенно при обработке углов, острых краев и т. д. Это может привести к потере контроля и отдаче.

**⚠ОСТОРОЖНО:** Запрещается использовать инструмент с полотнами для обработки дерева или другими пыльными дисками. При использовании на шлифмашине такие диски часто выскочивают, выходят из-под контроля и приводят к травмам.

**⚠ВНИМАНИЕ:** Запрещается включать инструмент, если он касается обрабатываемого изделия. Это может стать причиной травмы оператора.

**⚠ВНИМАНИЕ:** Во время выполнения операции всегда надевайте защитные очки или защитную маску.

**⚠ВНИМАНИЕ:** После работы всегда отключайте инструмент и дождитесь полной остановки диска перед тем, как положить инструмент.

**⚠ВНИМАНИЕ: ВСЕГДА** крепко держите инструмент, положив одну руку на корпус, а вторую - на боковую ручку (рукоятку).

## Шлифовка и зачистка

### ► Рис.25

Включите инструмент, а затем прижмите диск или круг к обрабатываемой детали. Обычно следует держать край диска или круга под углом около 15 градусов относительно поверхности обрабатываемой детали. В период приработки нового диска не перемещайте шлифмашину вперед, поскольку диск может вреzаться в обрабатываемую деталь. После того как кромка диска закруглится от использования, можно будет перемещать его в обоих направлениях (вперед и назад).

## Выполнение работ с абразивным отрезным/алмазным диском

### Дополнительные принадлежности

**⚠ОСТОРОЖНО:** Не “заклинивайте” диск и не оказывайте на него чрезмерное давление. Не пытайтесь делать слишком глубокий разрез. Чрезмерное давление на диск увеличивает нагрузку и вероятность искривления или застревания диска в прорези, а также возможность отдачи, поломки диска и перегрева электродвигателя.

**⚠ОСТОРОЖНО:** Не запускайте отрезной диск, пока он находится в детали. Дайте диску раскрутиться до максимальной скорости, а затем осторожно введите в разрез, перемещая инструмент вперед по поверхности обрабатываемой детали. Диск может застрять, отдача может отбросить его вверх или назад, если запустить электроинструмент, когда диск находится в детали.

**⚠ОСТОРОЖНО:** Во время операций резания нельзя менять угол наклона диска. Боковое давление на отрезной диск (как при шлифовке) приводит к растрескиванию и разрушению диска, в результате чего возможны серьезные травмы.

**⚠ОСТОРОЖНО:** Работы с алмазным диском необходимо выполнять, удерживая его перпендикулярно рабочей поверхности.

Пример использования: применение абразивного отрезного диска

► Рис.26

Пример использования: применение алмазного диска

► Рис.27

## Операции с чашечной проволочной щеткой

### Дополнительные принадлежности

**⚠ВНИМАНИЕ:** Проверьте работу щетки, запустив инструмент на холостом ходу, предварительно убедившись, что никто не находится перед ним или на одной линии со щеткой.

**ПРИМЕЧАНИЕ:** Не прилагайте слишком большое давление, поскольку это может привести к изгибанию проволоки во время использования чашечной проволочной щетки. Это может стать причиной преждевременной поломки.

Пример использования: применение чашечной проволочной щетки

► Рис.28

## Работа с дисковой проволочной щеткой

### Дополнительные принадлежности

**⚠ВНИМАНИЕ:** Проверьте работу дисковой проволочной щетки, запустив инструмент на холостом ходу и предварительно убедившись, что никто не находится перед ним или на одной линии с дисковой проволочной щеткой.

**ПРИМЕЧАНИЕ:** Не прилагайте слишком большое давление, так как оно может привести к тому, что проволока погнется во время использования дисковой проволочной щетки. Это может стать причиной преждевременной поломки.

Пример использования: применение дисковой проволочной щетки

► Рис.29

## ОБСЛУЖИВАНИЕ

**⚠ВНИМАНИЕ:** Перед проведением проверки или работ по техобслуживанию всегда проверяйте, что инструмент выключен, а блок аккумуляторов снят.

**ПРИМЕЧАНИЕ:** Запрещается использовать бензин, растворители, спирт и другие подобные жидкости. Это может привести к обесцвечиванию, деформации и трещинам.

Для обеспечения БЕЗОПАСНОСТИ и НАДЕЖНОСТИ оборудования, ремонт, любое другое техобслуживание или регулировку необходимо производить в уполномоченных сервис-центрах Makita, с использованием только сменных частей производства Makita.

## Очистка вентиляционного отверстия

Инструмент и его вентиляционные отверстия должны содержаться в чистоте. Производите регулярную очистку вентиляционных отверстий инструмента или очищайте их в случае засорения.

► Рис.30: 1. Вытяжное отверстие 2. Впускное вентиляционное отверстие

Снимите пылезащитную крышку с впускного вентиляционного отверстия и очистите ее, чтобы обеспечить свободное прохождение воздуха.

► Рис.31: 1. Пылезащитный кожух

**ПРИМЕЧАНИЕ:** При засорении пылезащитного кожуха пылью или посторонними веществами очистите его. Продолжение эксплуатации с засоренным пылезащитным кожухом приведет к повреждению инструмента.

# ДОПОЛНИТЕЛЬНЫЕ ПРИНАДЛЕЖНОСТИ

**▲ВНИМАНИЕ:** Данные принадлежности или приспособления рекомендуются для использования с инструментом Makita, указанным в настоящем руководстве. Использование других принадлежностей или приспособлений может привести к получению травмы. Используйте принадлежность или приспособление только по указанному назначению.

Если вам необходимо содействие в получении дополнительной информации по этим принадлежностям, свяжитесь с вашим сервис-центром Makita.

- Оригинальный аккумулятор и зарядное устройство Makita

► Рис.32

-	Модель 100 мм (4 дюйма)	Модель 115 мм (4-1/2 дюйма)	Модель 125 мм (5 дюймов)
1	Рукоятка 36		
2	Кожух диска (для шлифовального диска)		
3	Внутренний фланец		
4	Диск с утопленным центром/откидной круг		
5	Контргайка		
6	Вспомогательная подушка		
7	Гибкий диск		
8	Внутренний фланец и резиновая подушка 76	Резиновая подушка 100	Резиновая подушка 115
9	Абразивный круг		
10	Шлифовальная контргайка		
11	Дисковая проволочная щетка		
12	Чашечная проволочная щетка		
13	Кожух диска (для отрезного диска) *1		
14	Абразивный отрезной диск / алмазный диск		
-	Ключ контргайки		

**ПРИМЕЧАНИЕ:** \*1 В некоторых странах Европы при использовании алмазного диска можно использовать обычный кожух вместо специального, закрывающего обе стороны диска. Соблюдайте требования нормативов, действующих в вашей стране.

**ПРИМЕЧАНИЕ:** Некоторые элементы списка могут входить в комплект инструмента в качестве стандартных приспособлений. Они могут отличаться в зависимости от страны.

**Makita Europe N.V.** Jan-Baptist Vinkstraat 2,  
3070 Kortenberg, Belgium

**Makita Corporation** 3-11-8, Sumiyoshi-cho,  
Anjo, Aichi 446-8502 Japan

[www.makita.com](http://www.makita.com)

885776-983  
EN, SV, NO, FI, DA,  
LV, LT, ET, RU  
20191219