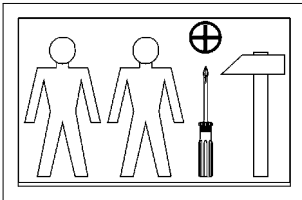
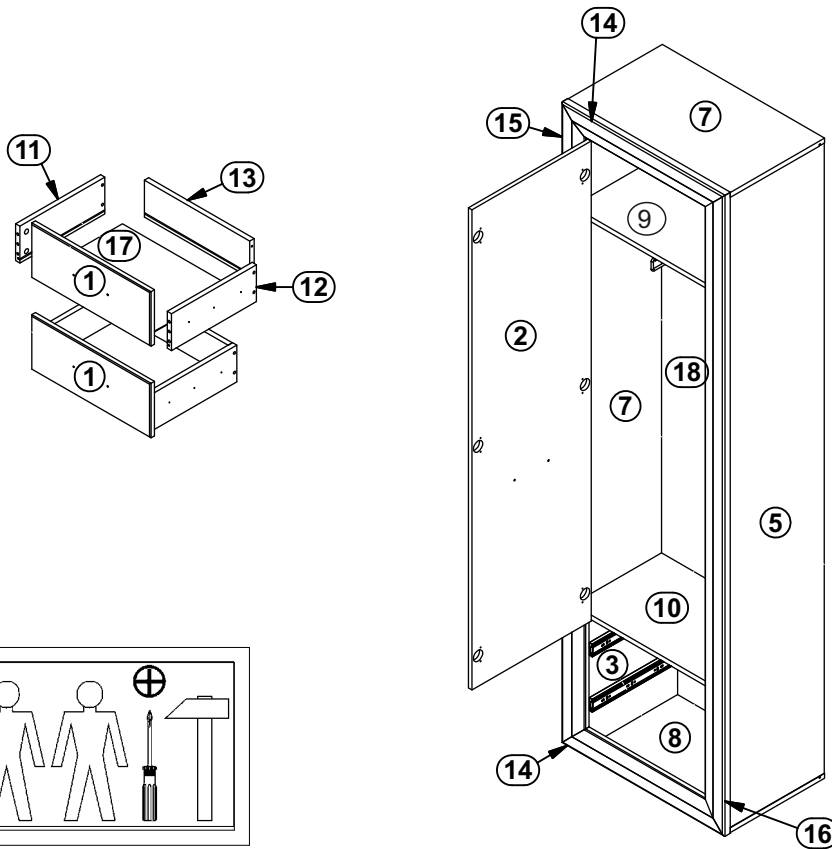
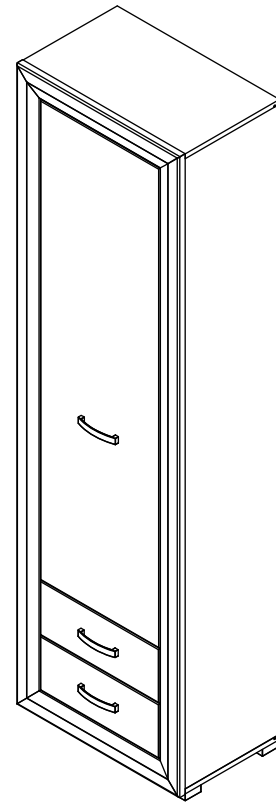
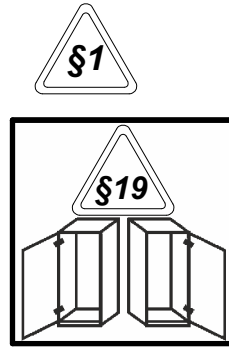
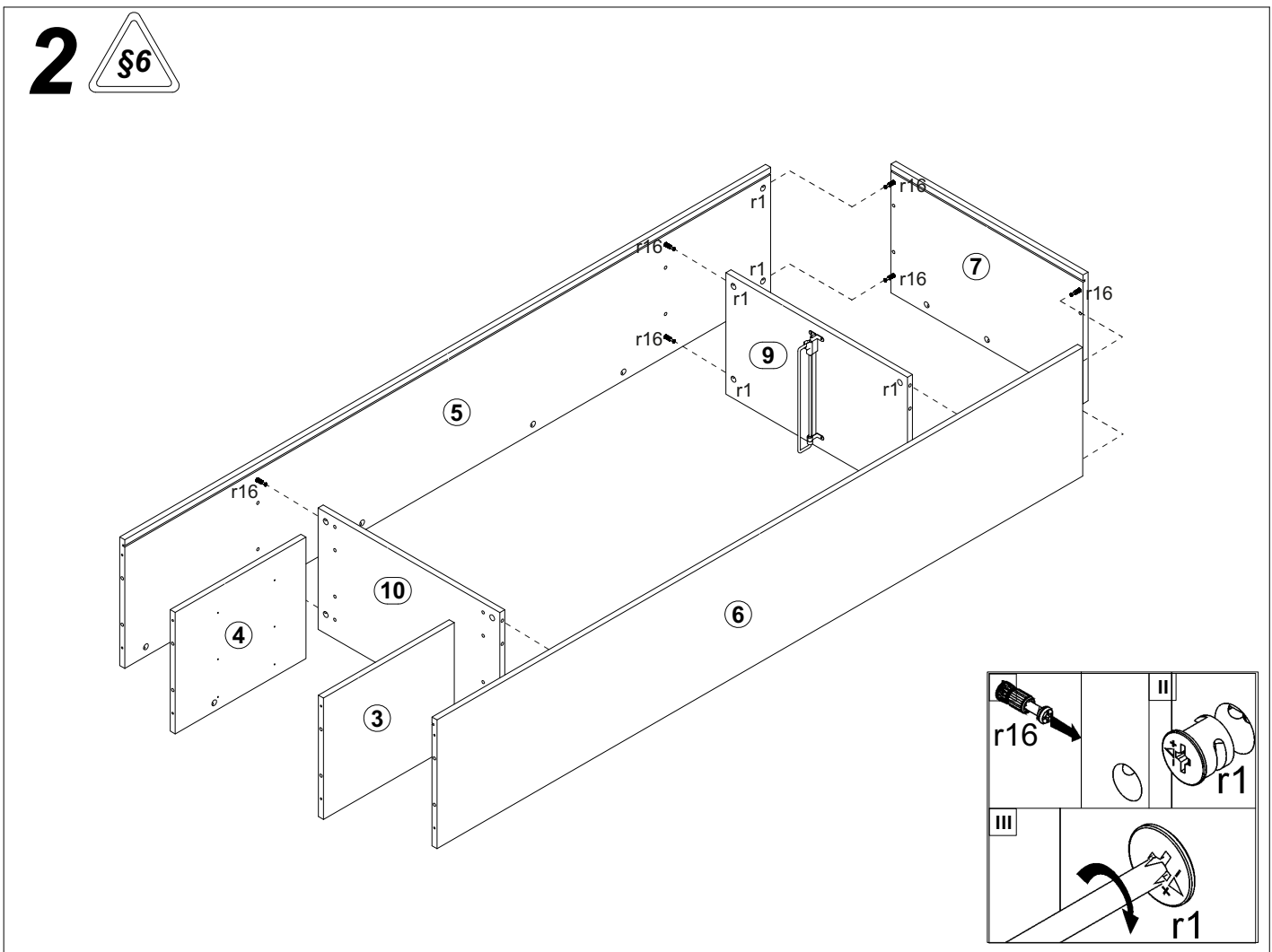
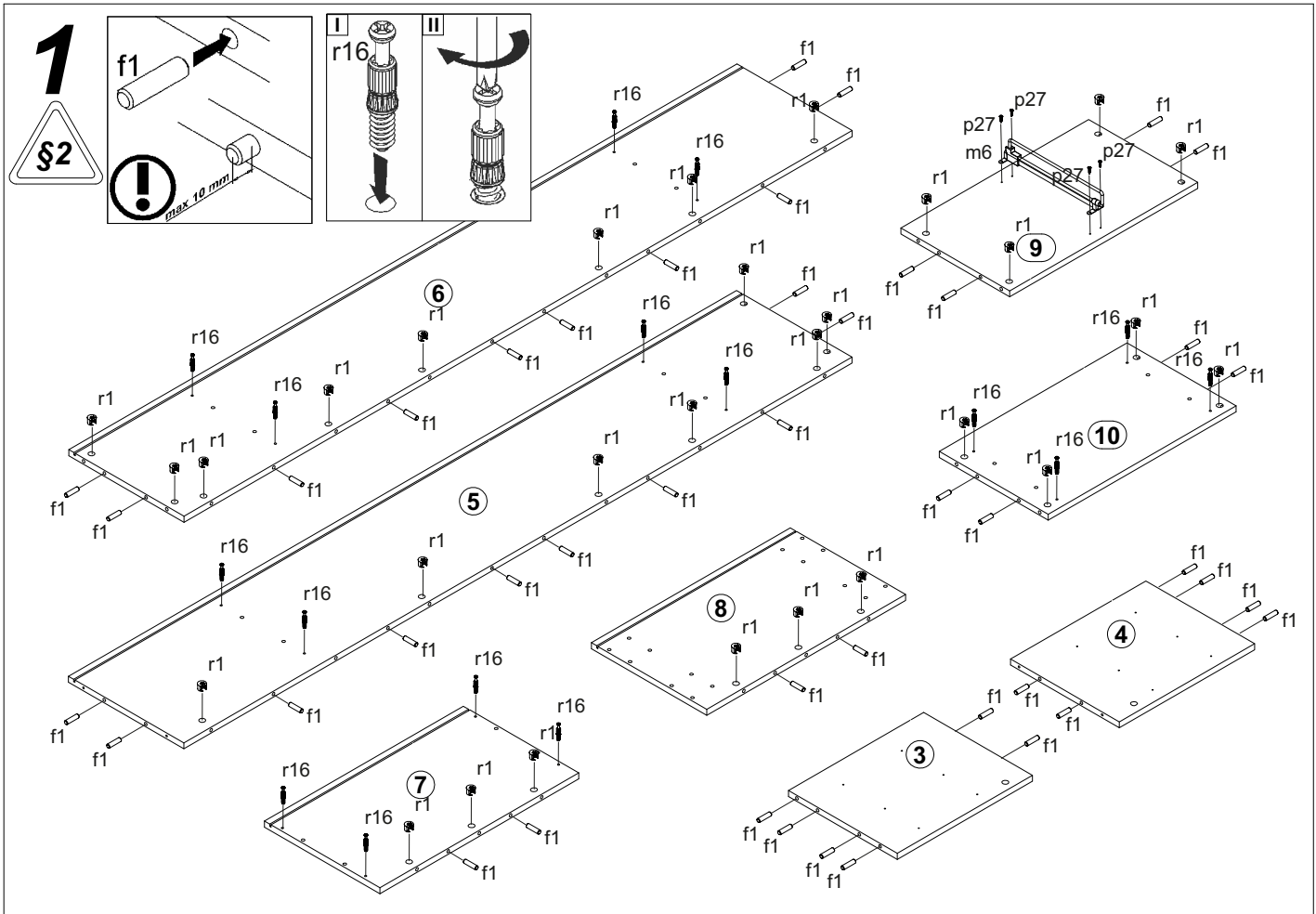


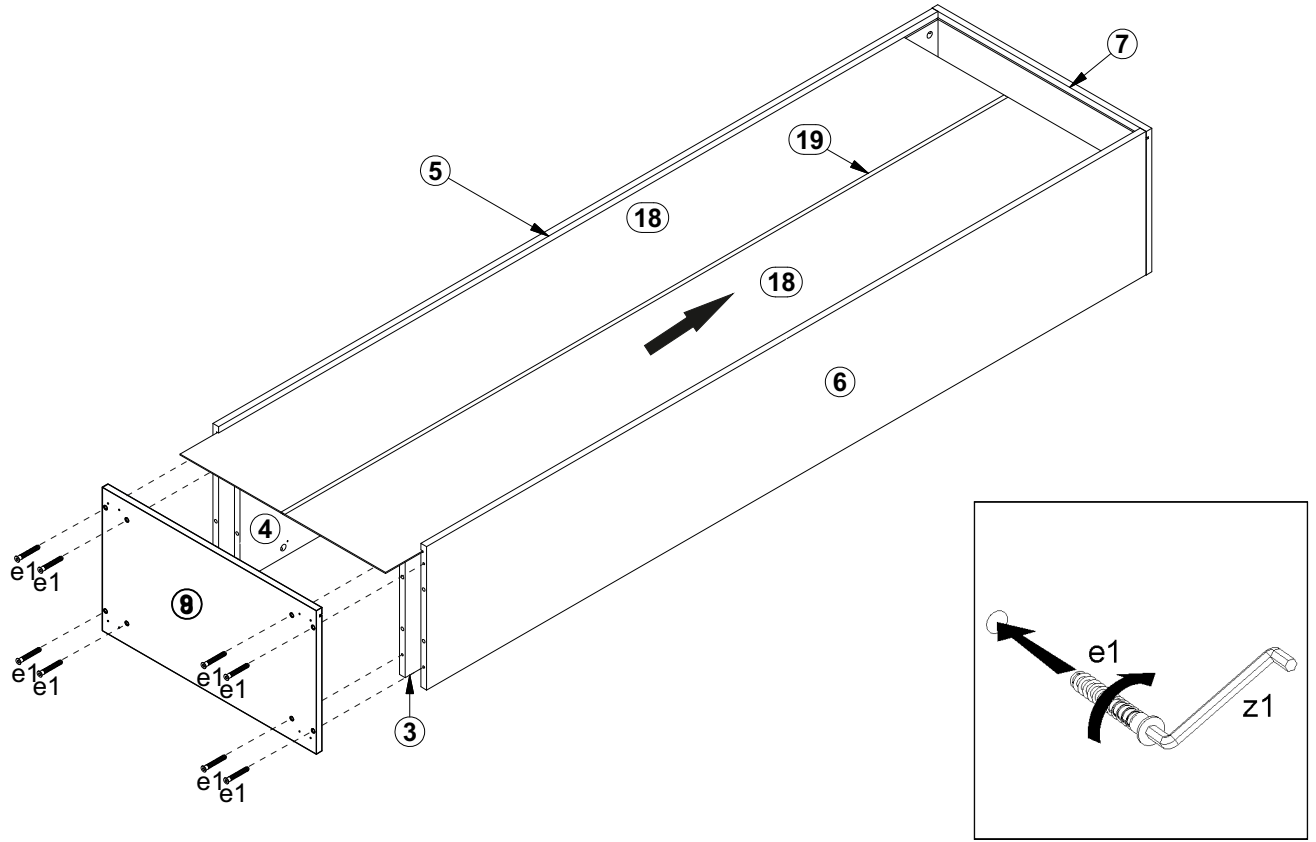
| A | B | C | D |
|----|----------|------|-----|
| 1 | B136-006 | 447 | 177 |
| 2 | B136-020 | 1564 | 447 |
| 3 | B136-109 | 416 | 335 |
| 4 | B136-126 | 416 | 335 |
| 5 | B136-115 | 2056 | 355 |
| 6 | B136-114 | 2056 | 355 |
| 7 | B136-211 | 611 | 355 |
| 8 | B136-202 | 611 | 355 |
| 9 | B136-319 | 577 | 335 |
| 10 | B136-320 | 577 | 335 |
| 11 | B136-501 | 320 | 120 |
| 12 | B136-502 | 320 | 120 |
| 13 | B136-508 | 377 | 120 |
| 14 | B136-571 | 613 | 80 |
| 15 | B136-576 | 2090 | 80 |
| 16 | B136-578 | 2090 | 80 |
| 17 | B136-901 | 391 | 318 |
| 18 | B136-913 | 2066 | 293 |
| 19 | Lh-2050 | 2050 | 14 |



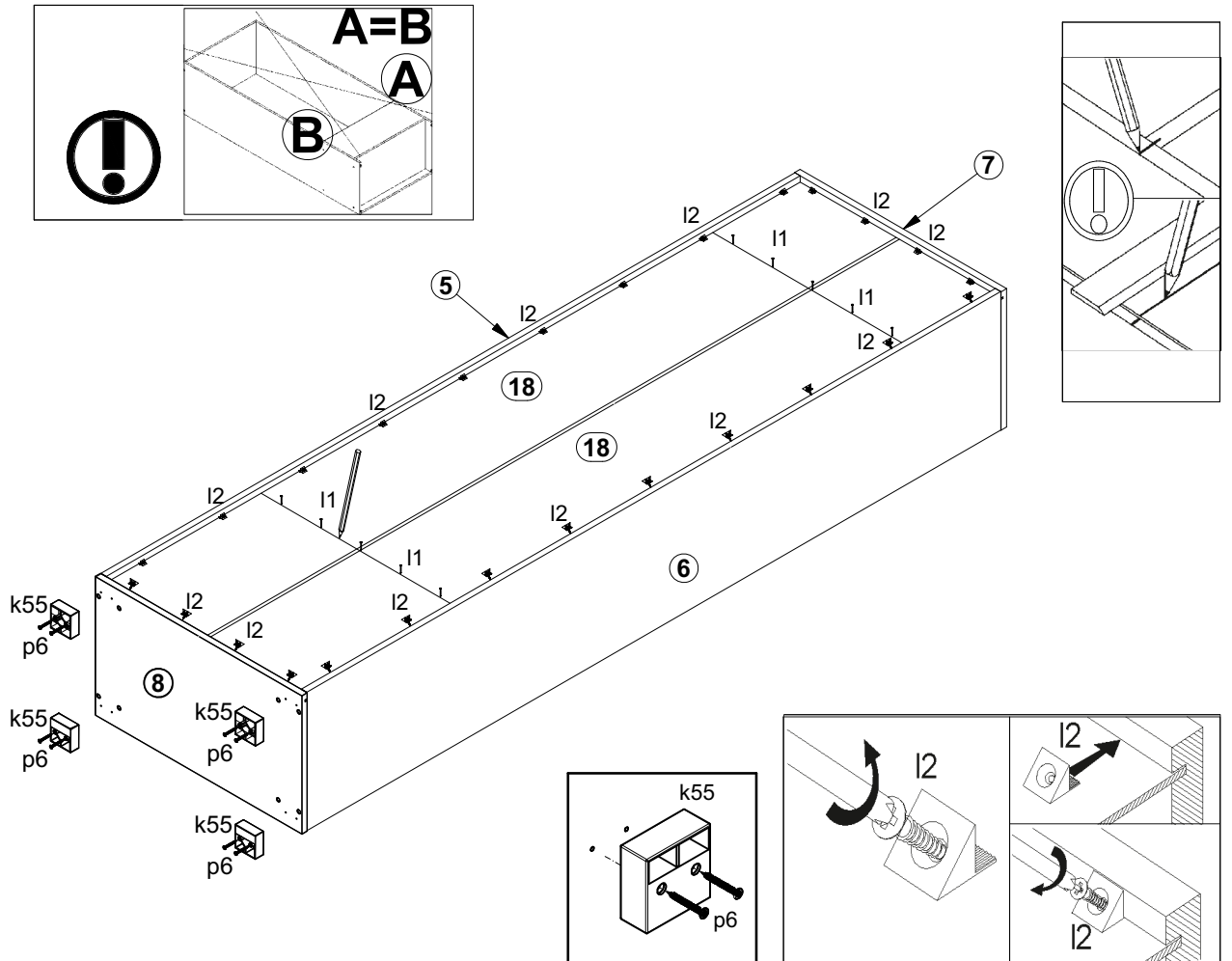
| | | | | | | | | |
|------------------------|------------------------|------------------------|----------------------|----------------------|----------------------|--------------------|---------------------|---------------------|
| 3x a56 | 3x b6 | 3x phi412.050 | 6x f4x30 mm p9 | 16x phi7x50 mm e1 | 1x L-300 m6 | 56x phi8x30 mm f1 | 8x phi4x35 mm p6 | 4x 60x60x25 mm k55 |
| 20x l1 | 22x l2 | 1x 81x21x15/1.5mm n14 | 2x phi3.5x16 mm p38 | 4x phi3.5x13 mm p27 | 6x phi3.5x15 mm p51 | 1x phi5x60 mm p17 | 1x phi10x50 mm f35 | 6x phi8x1.8mm o21 |
| 46x phi15x12mm #16 r1 | 4x r10 | 38x 20/9 r16 | 23x phi16 s2 | 3x phi35 s33 | 1x z1 | 6x phi14 s59 | 4x 300 mm w206/1 | 4x 300 mm w206/2 |
| 12x phi6x13 mm e3 | 12x phi3.5x12 mm p140 | | | | | | | |



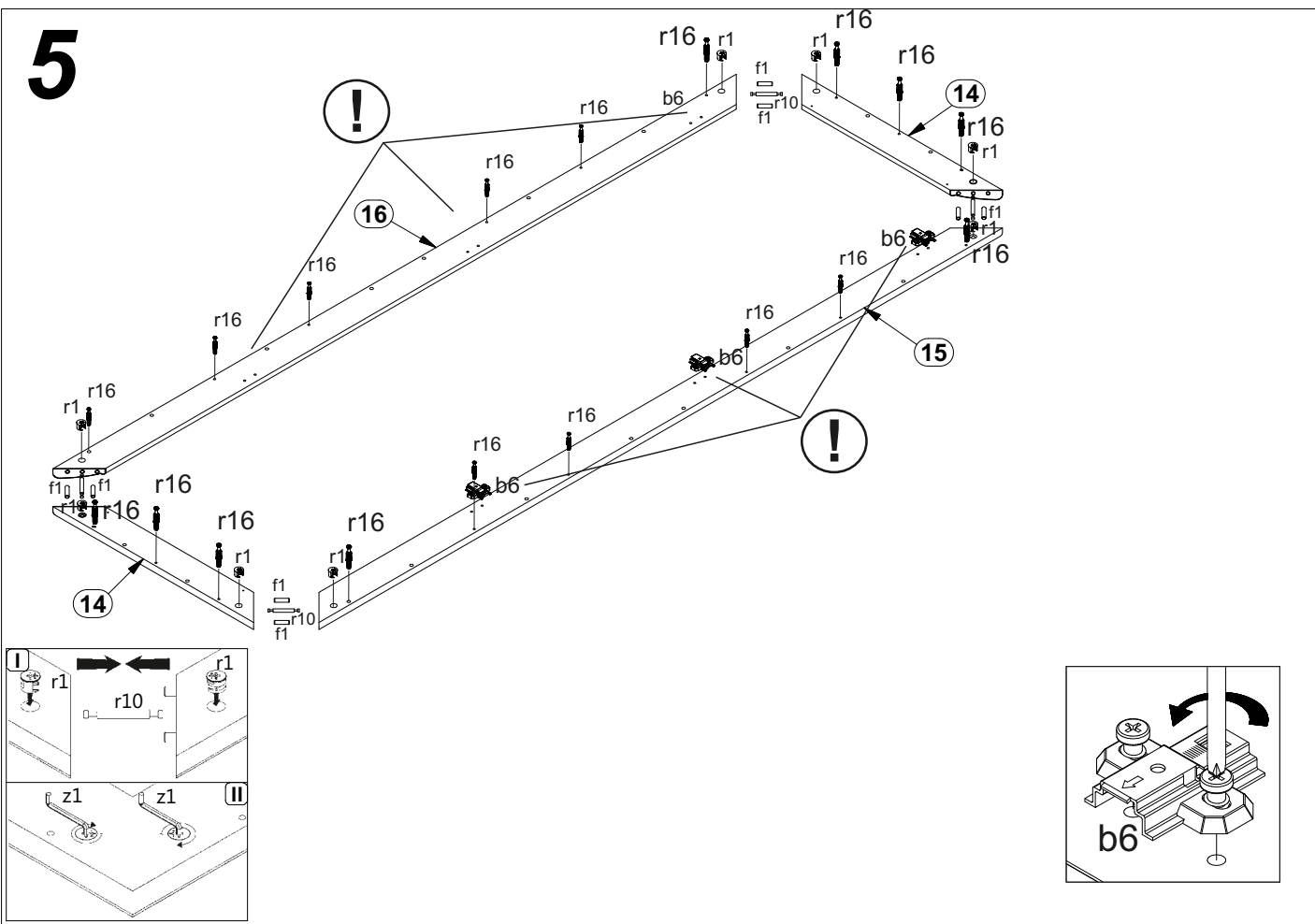
3



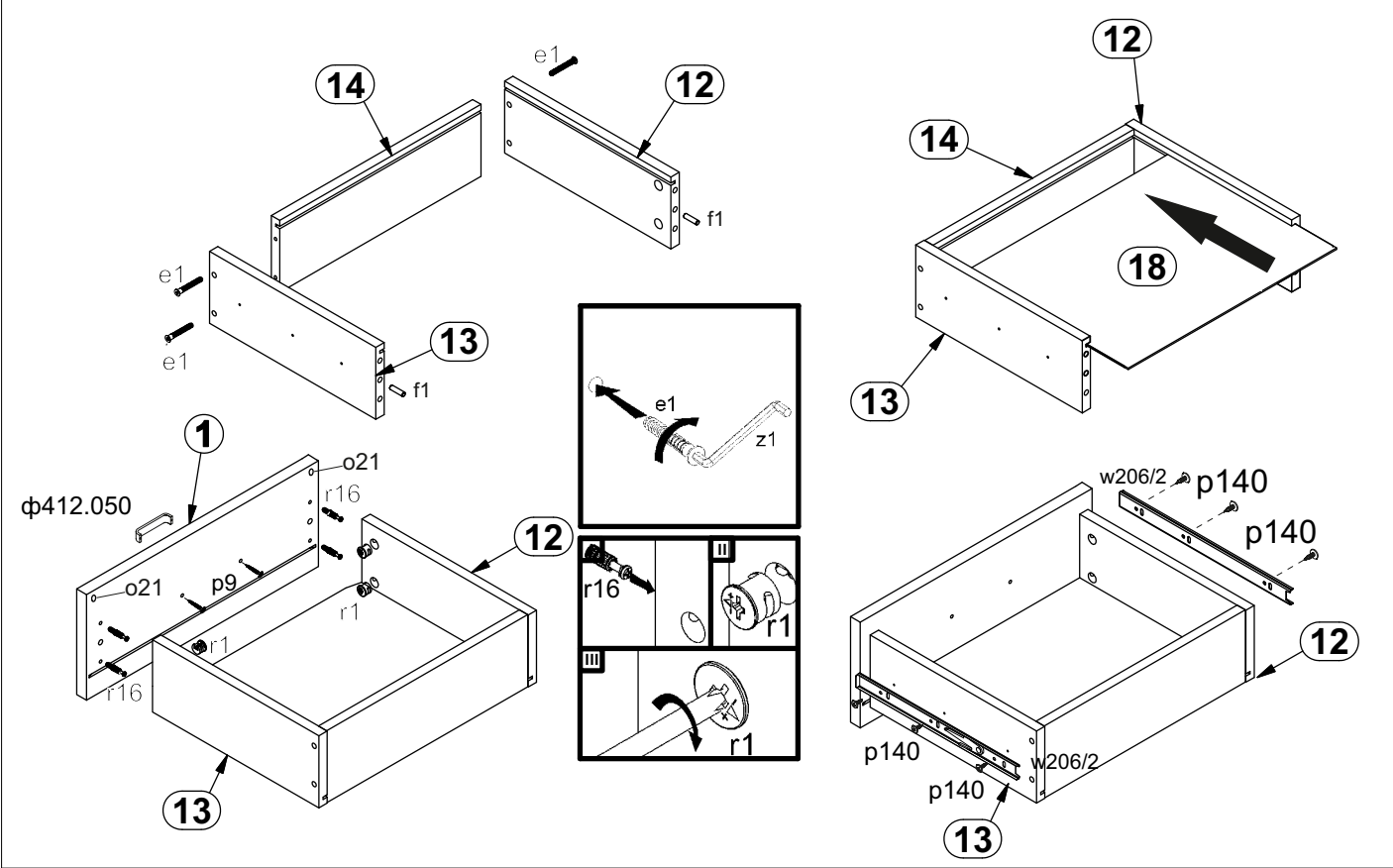
4



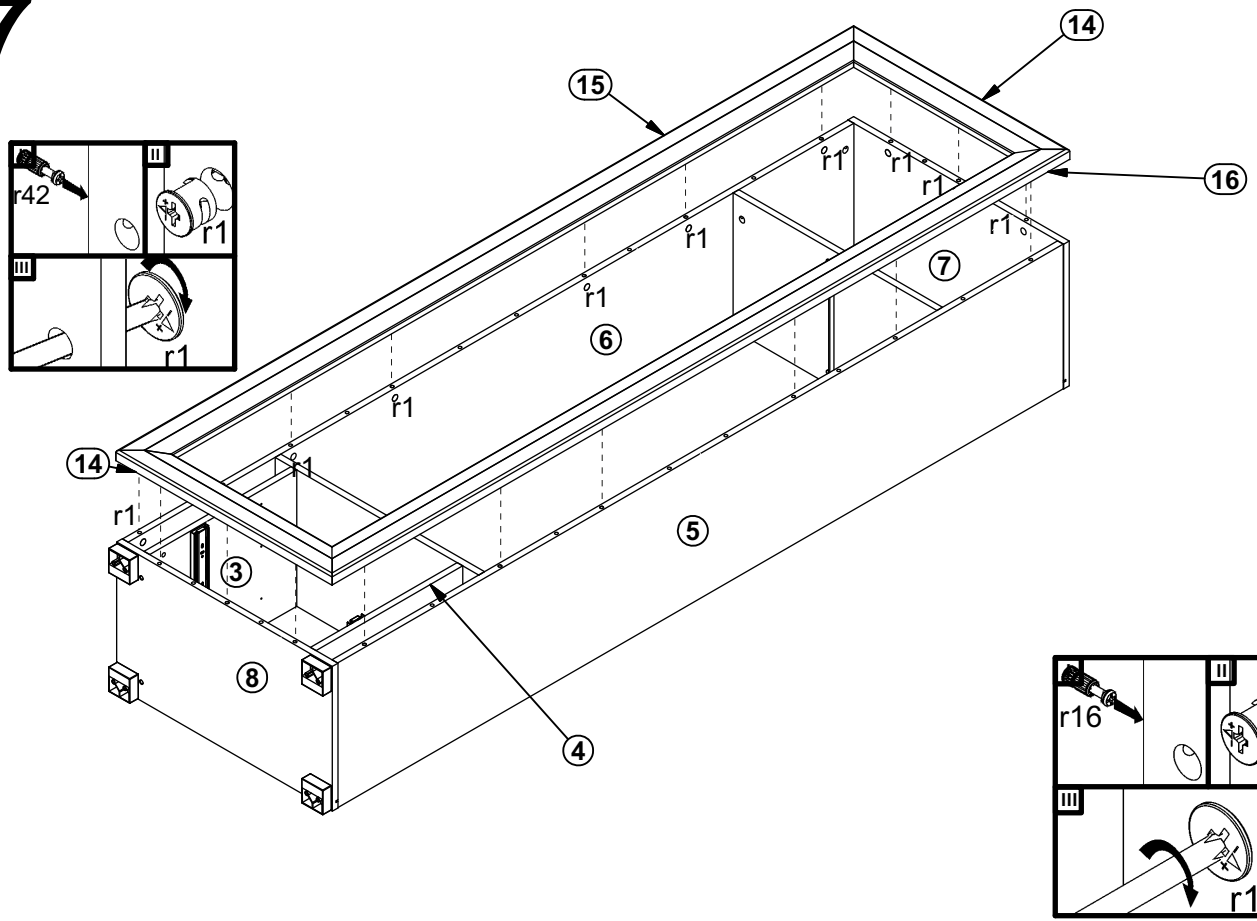
5



6



7



8

