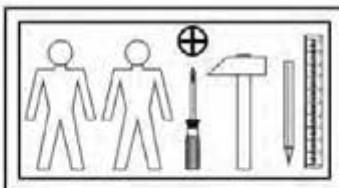
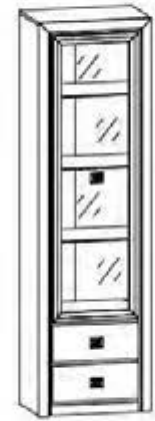
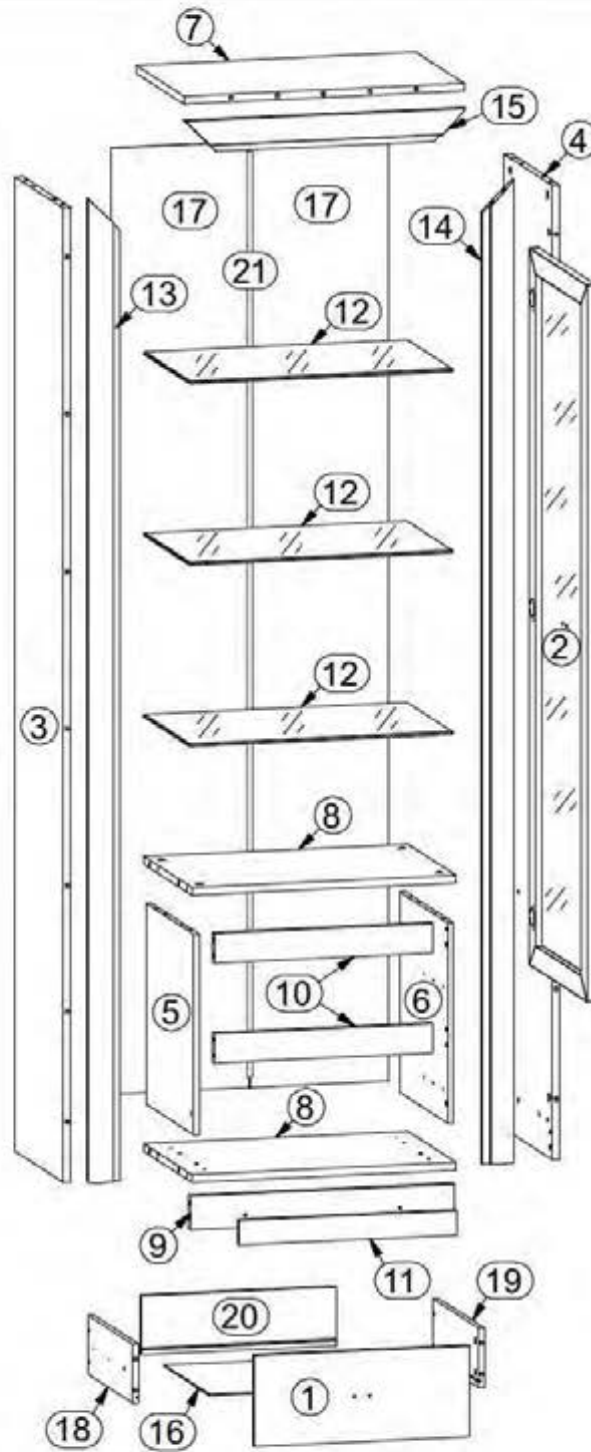


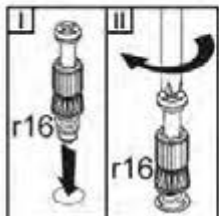
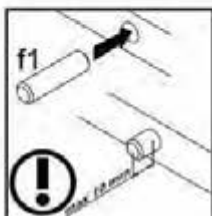
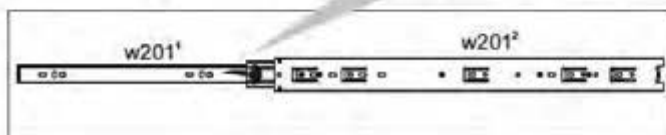
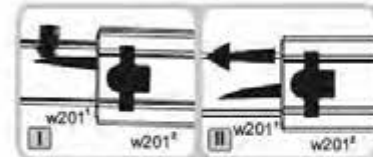
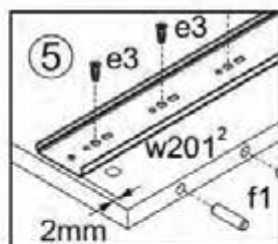
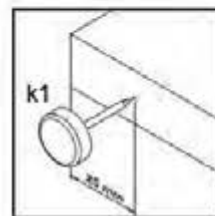
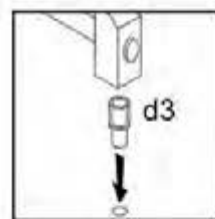
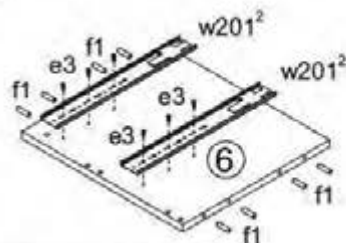
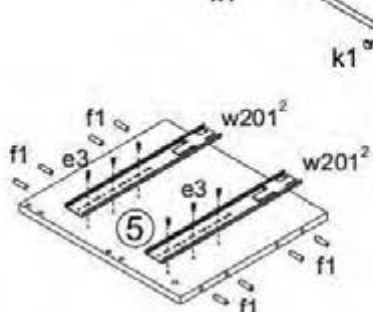
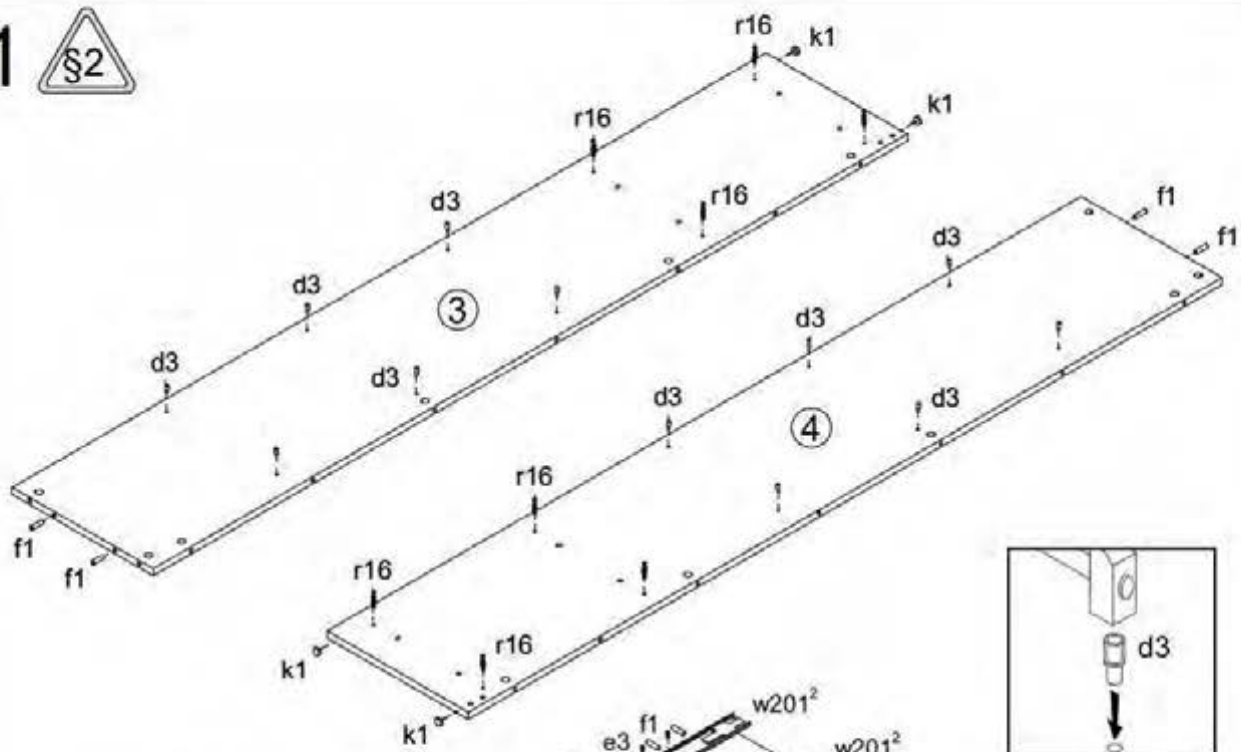


A	B	C	D	
1	S136 0046	446	185	4/5
2	S136 007	1458	446	5/5
3	S136 113	1983	371	1/5
4	S136 114	1983	371	1/5
5	S136 1107	408	371	1/5
6	S136 1108	408	371	1/5
7	S136 204	580	371	1/5
8	S136 353	547	371	1/5
9	S136 404	547	68	1/5
10	S136 405	453	60	1/5
11	S136 406	451	50	1/5
12	S136 501	545	350	2/5
13	S136 571	2000	65	3/5
14	S136 572	2000	65	3/5
15	S136 576	581	65	3/5
16	S136 937	410	348	1/5
17	S136 908	1925	287	1/5
18	S136 5511	350	120	1/5
19	S136 5512	350	120	1/5
20	S136 5513	395	120	1/5
21	lh 1898	1898	14	1/5

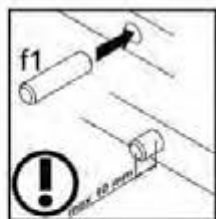
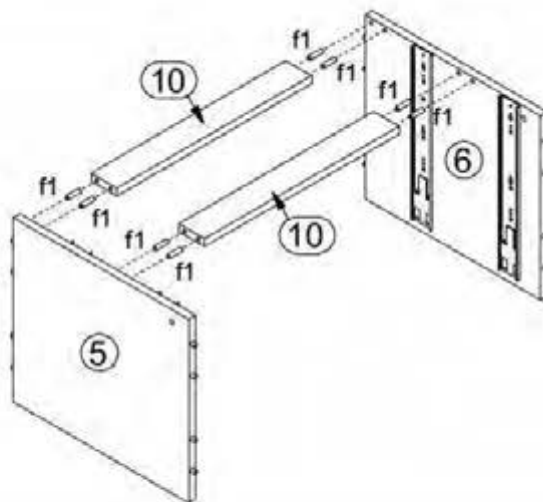


3x a99	3x b43	3x c317	12x d3 φ5x17 mm	6x e2 φ5.5x13 mm	12x e3 φ6x11 mm	8x e32 45x50 mm	50x f1 48x50 mm
2x j3 5.8x12 mm	4x j30 5.8x22 mm	4x k1	60x l1	1x n2611	2x o26 φ4.5/φ6x0.5 mm	2x o27 φ6.5/φ8x1.2 mm	1x p38 4.7.5x16 mm
6x p51 φ1.5x12 mm	2x p94 φ1x22 mm	12x p140 4.3.5x12 mm	35x r1 φ1.5x12 mm 416	2x r10	31x r16 209	15x s2 φ16	4x w201 ¹ 350 mm
4x w201 ² 350 mm							

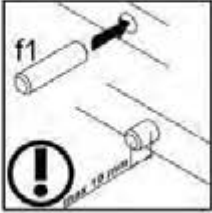
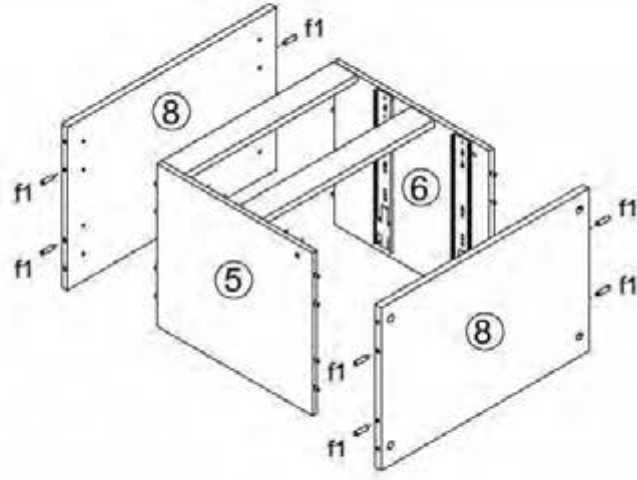
1 



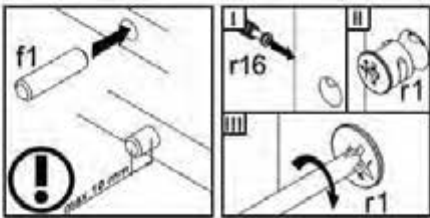
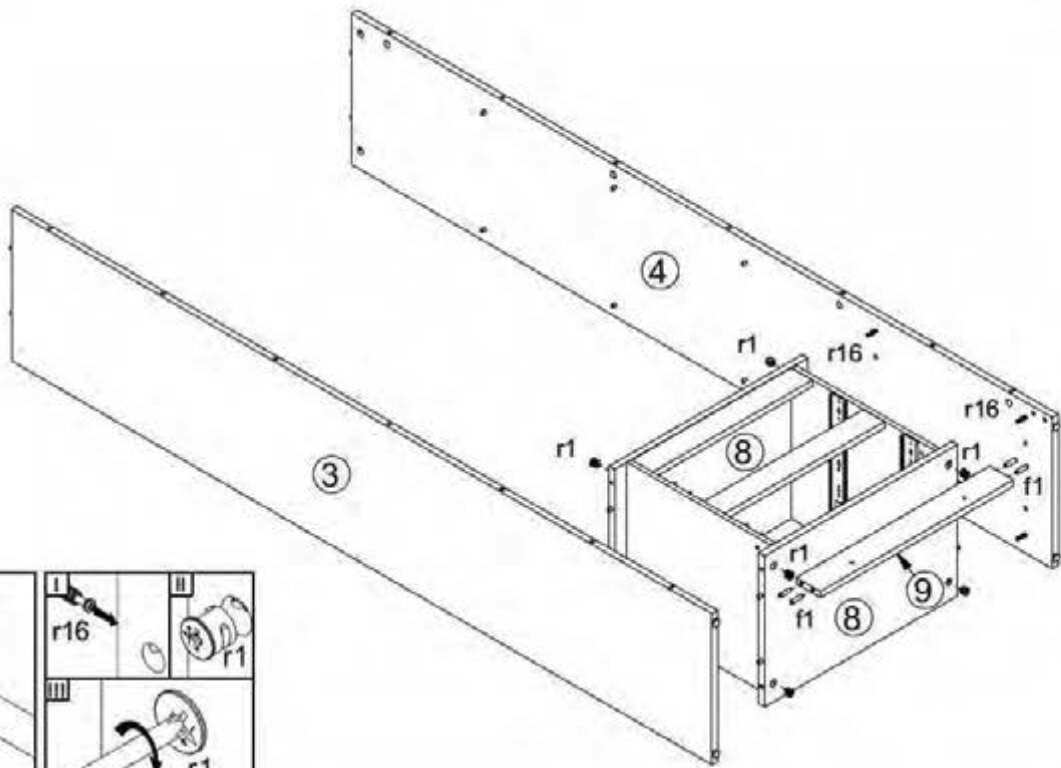
2 



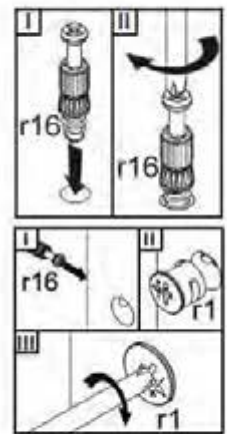
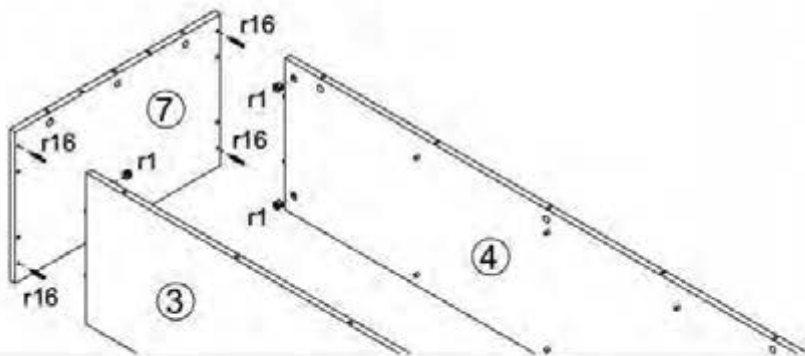
3



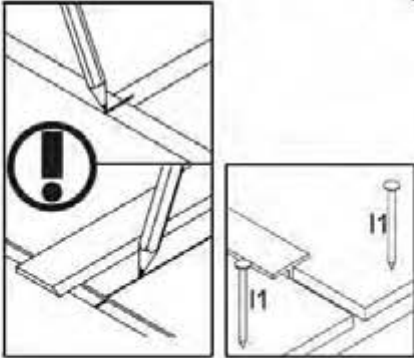
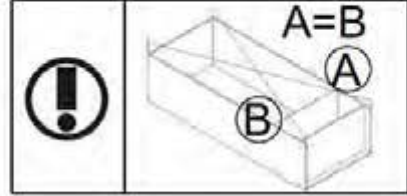
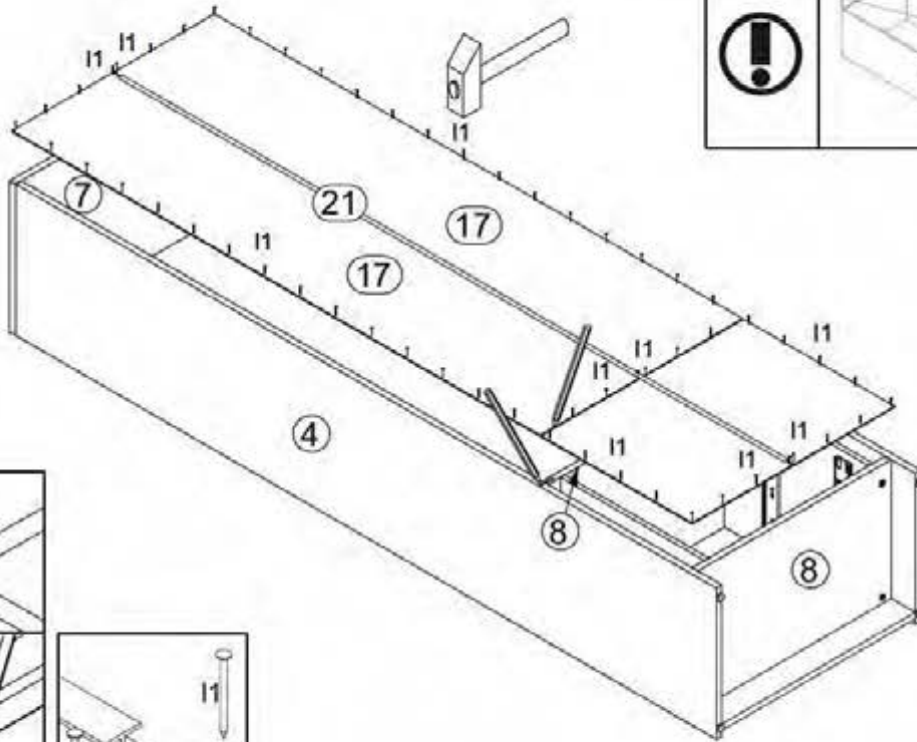
4



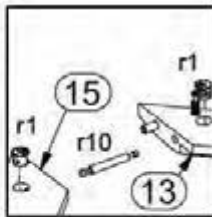
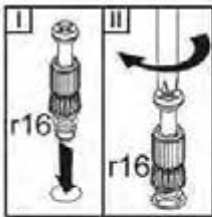
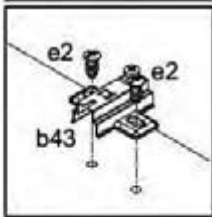
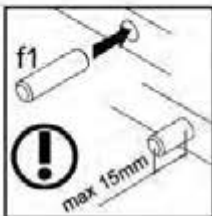
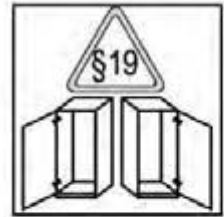
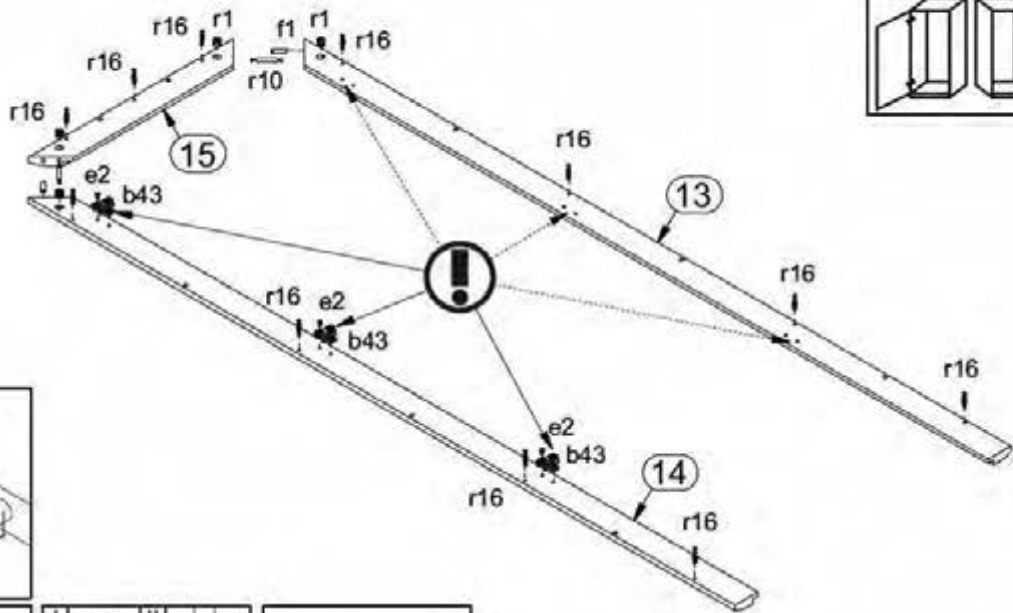
5



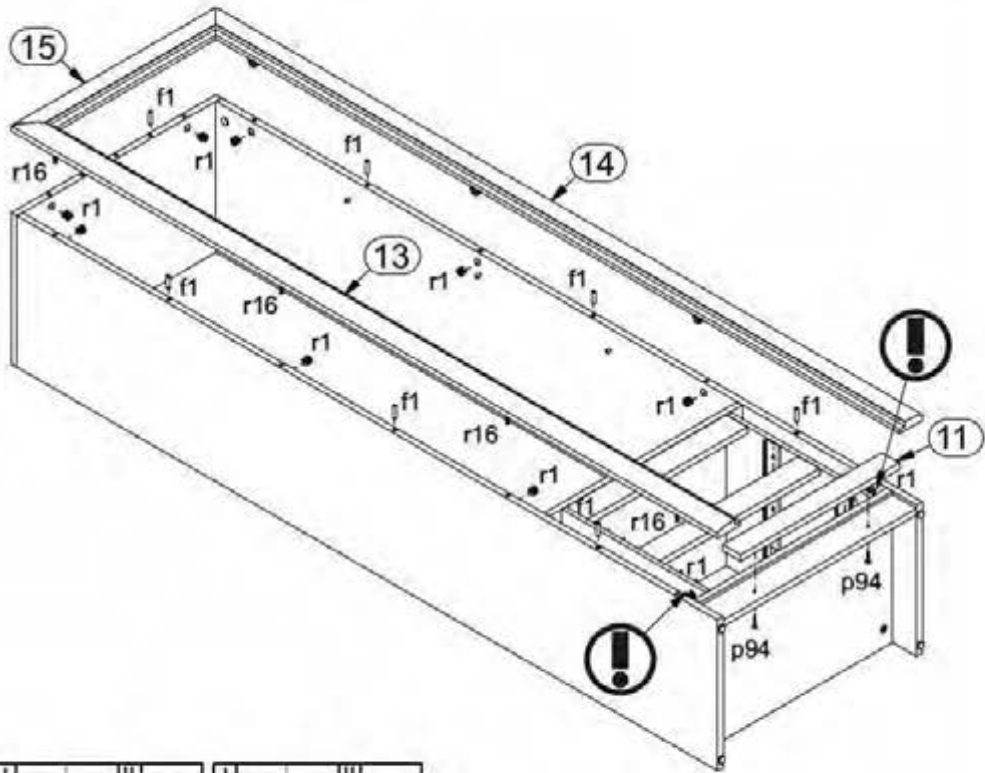
6



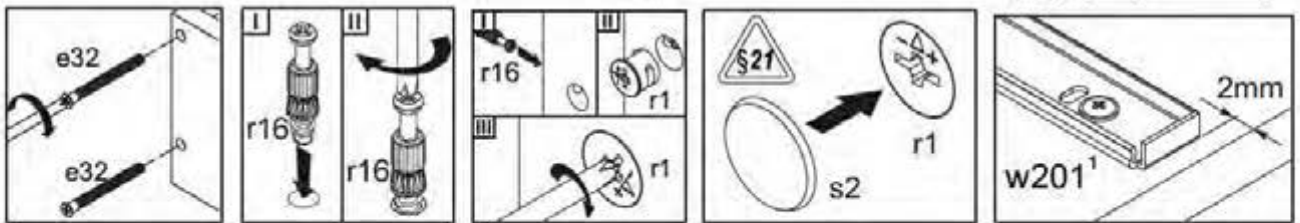
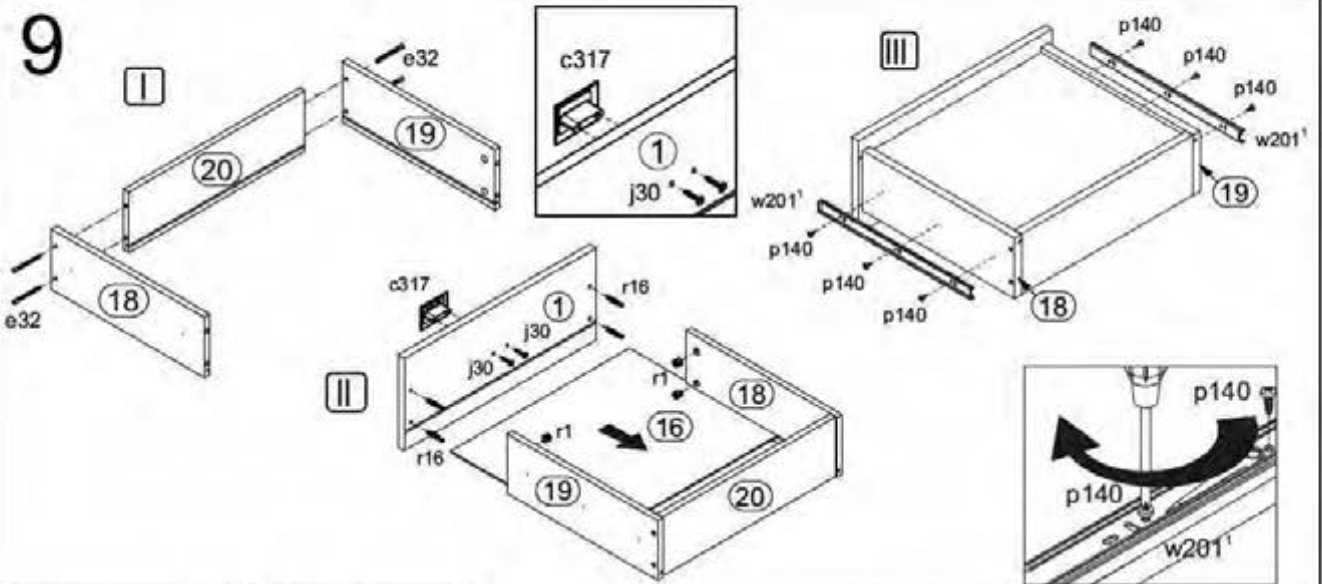
7



8



9



Сосна каньон

5 / 6

Вітрина / Витрина REG1W2S

10

