



CREATOR™

3 IN 1

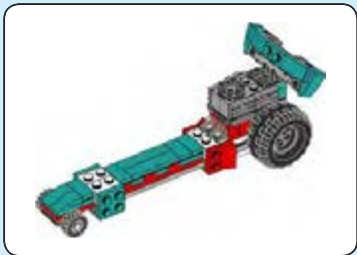
31101



3 in 1
3 en 1
3 em 1
3 az 1-ben
Trīs vienā
3 合 1

TM!by
ONLINE STORE

<https://tm.by>
Интернет-магазин TM.by



2



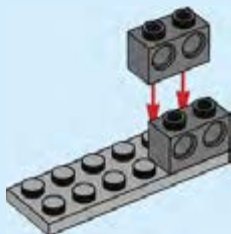
1x

1





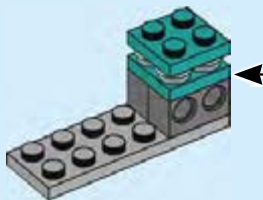
2



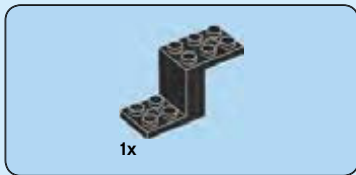
3



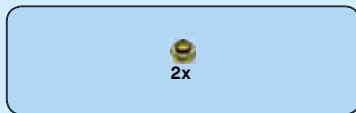
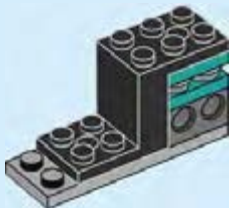
3



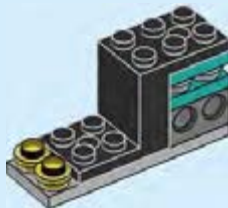
4



4



5



5



1x

6

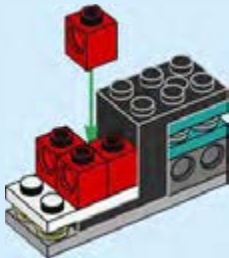


6



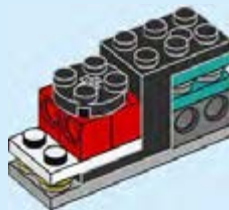
4x

7



1x

8



7



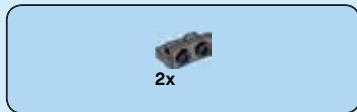
9



8



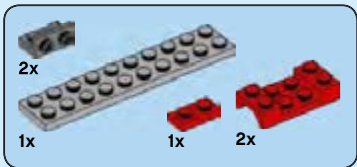
10



11



9



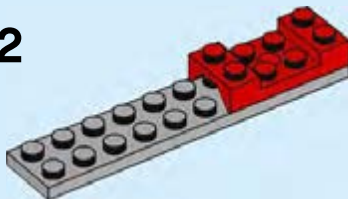
12

1

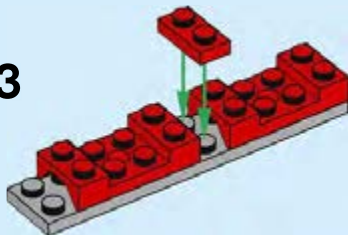


10

2

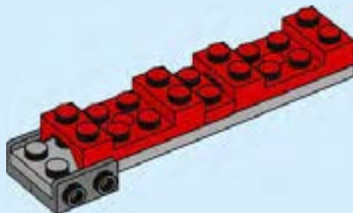


3

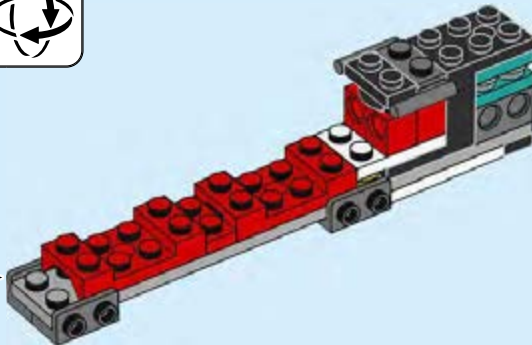


11

4



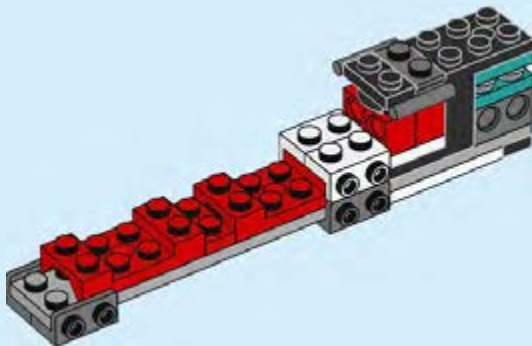
12





2x

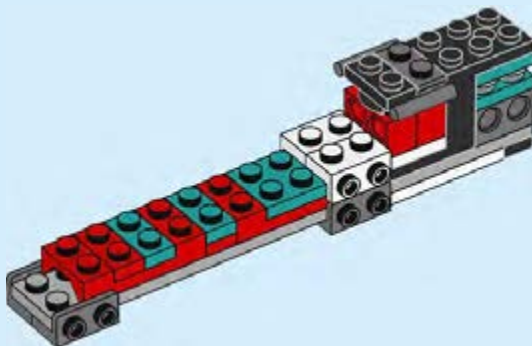
13



14



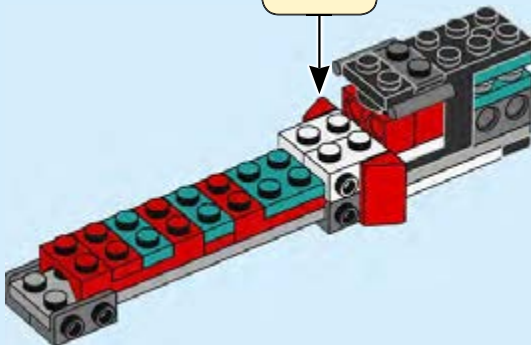
14



15



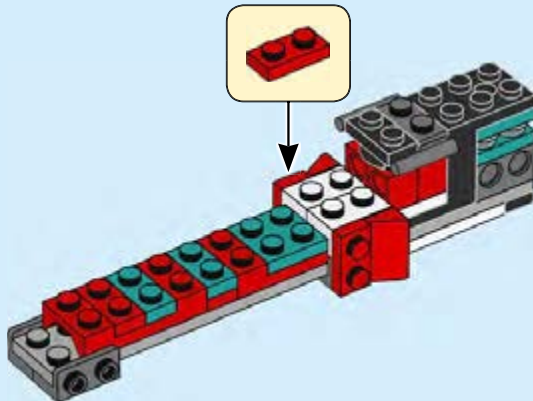
15



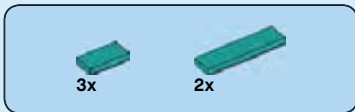
16



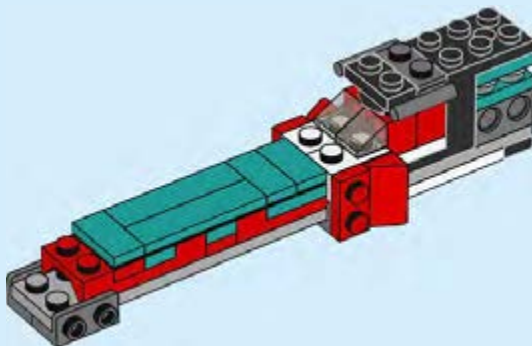
16



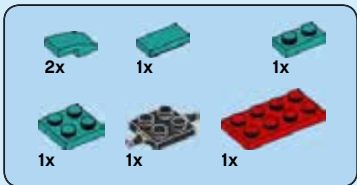
17



18



19



19



20

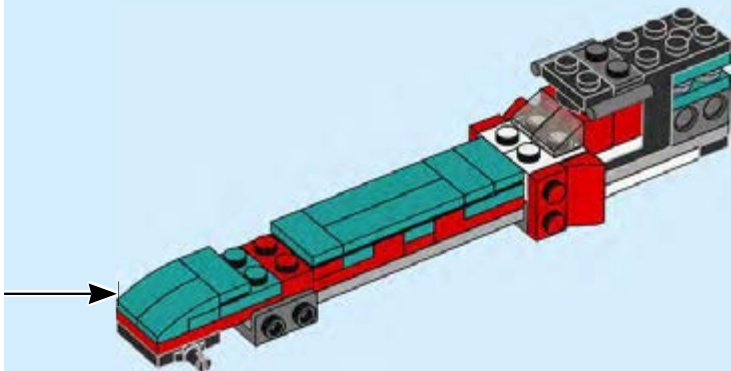
3



4



21

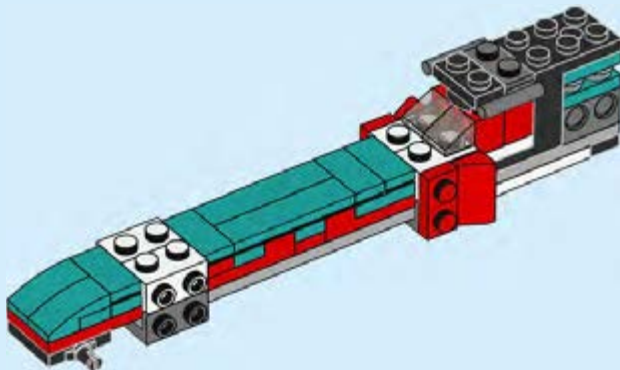


22



2x

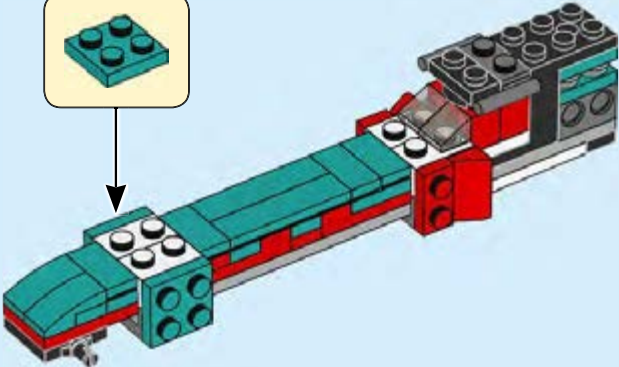
20



23



21

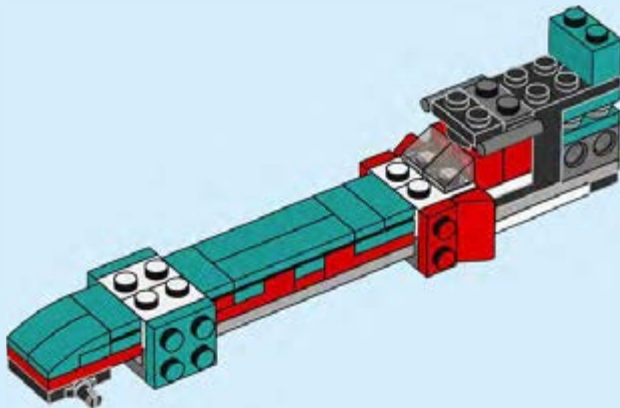


24

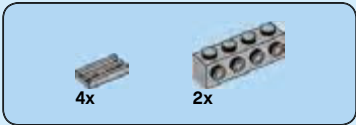


1x

22



25



23

1

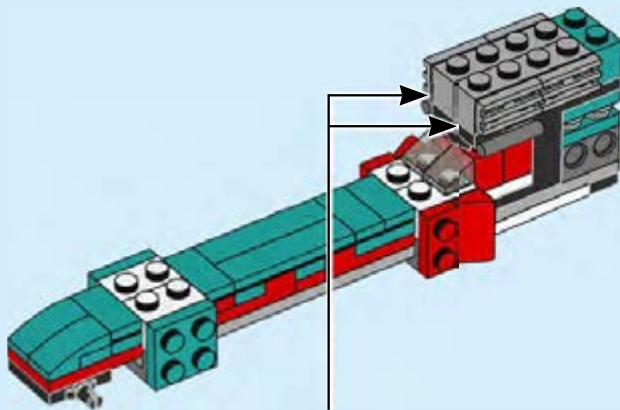


2



2x

26



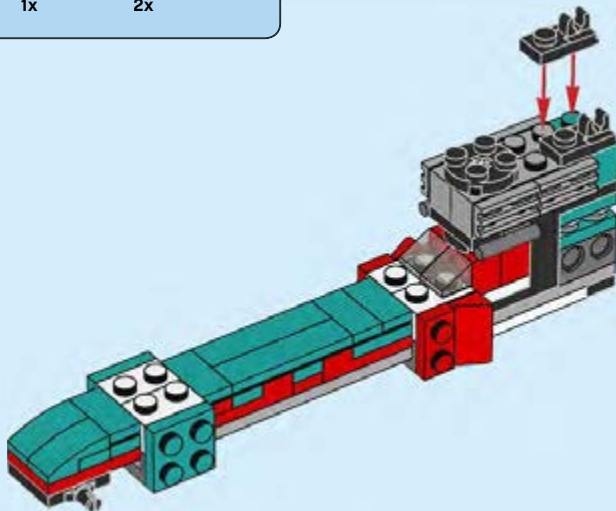


1x



2x

24



28



1x

25



2x

26



29



2x

27



30



28



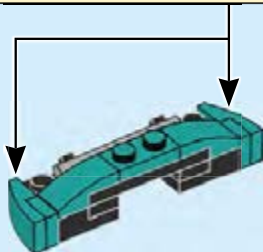
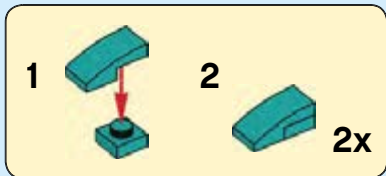
29



31

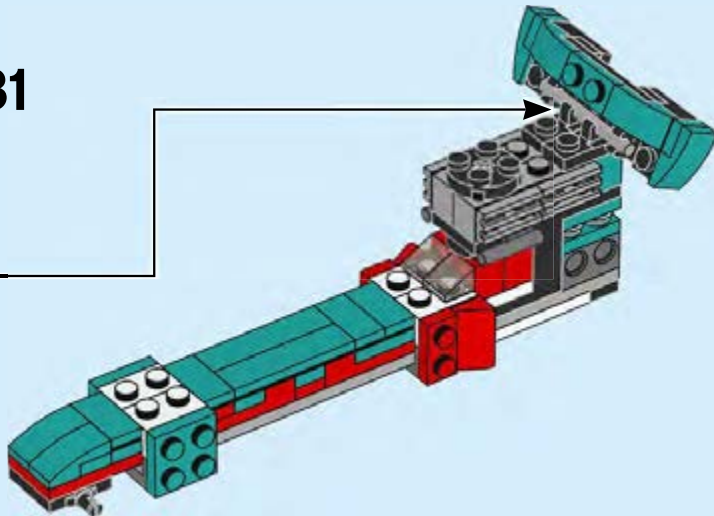


30

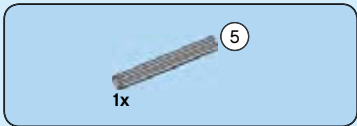


32

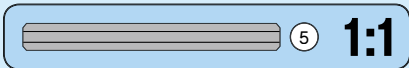
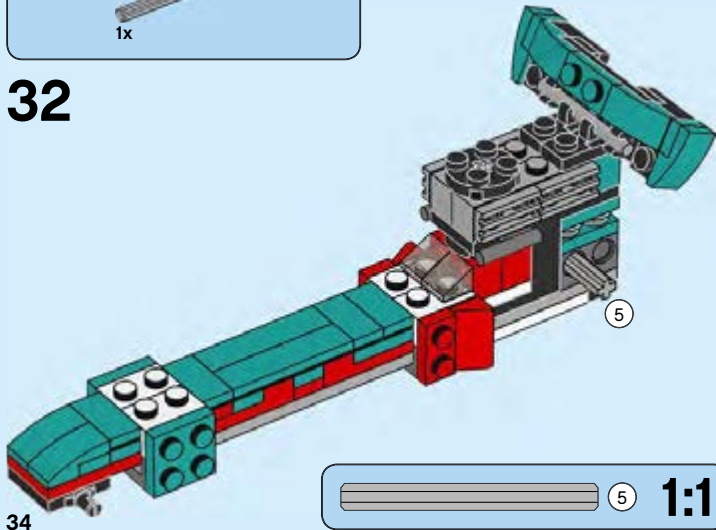
31

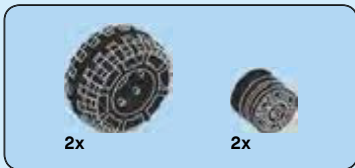


33



32





33

1

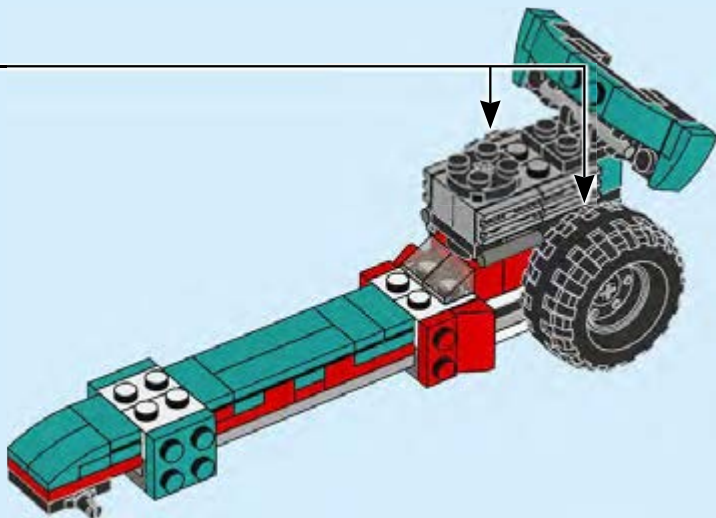


2



2x

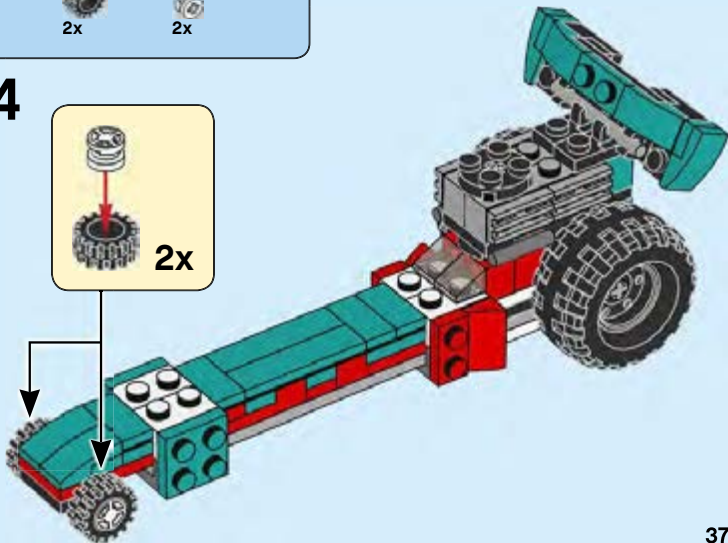
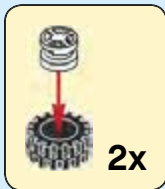
35



36



34



37



4x
6194809



2x
4118790



2x
302021



2x
403226



3x
460026



4x
6018774



4x
654121



2x
4600176



4x
4198367



4x
6172966



2x
302101



4x
6254216



4x
4206482



2x
4512363



1x
371026



2x
6023806



2x
4651524



4x
4206482



4x
4598528



4x
4506553



2x
302001



4x
302321



4x
4578677



2x
302326



2x
6171066



1x
4243812



1x
6168619



2x
4548180



2x
302326



4x
4517737



2x
6052126

38

4x
6240030

2x
6245252

2x
6240216

2x
6213785

6x
6213778

4x
6213779

4x
6213777

6x
6249427

2x
6217659

6x
6249390

2x
6292786

4x
6245263

2x
6099730

3x
6020147

4x
6000606

2x
4263176

2x
4210762

8x
6275844

4x
4211807

4x
4211350

2x
6116608

2x
4211636

4x
4211639

1x
4211452

1x
4211462



Customer Service

Kundenservice

Service Consommateurs

Servicio Al Consumidor

LEGO.com/service or dial



: 00800 5346 5555



: 1-800-422-5346



CREATOR

31
MINI
EN

31104



31105



31103



31102



31101



31099



31100



LEGO and the LEGO logo are trademarks of the/son des marques de commerce du/
son marcas registradas de LEGO Group. ©2020 The LEGO Group. 6308566/6308570

 [LEGO.com/creator](https://www.lego.com/creator)

TM!by
ONLINE STORE

<https://tm.by>
Интернет-магазин TM.by