



CREATOR™

3 IN 1

31101



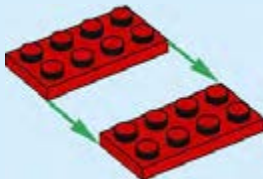
3 in 1
3 en 1
3 em 1
3 az 1-ben
Trīs vienā
3 合 1

TM.by
ONLINE STORE

<https://tm.by>
Интернет-магазин TM.by



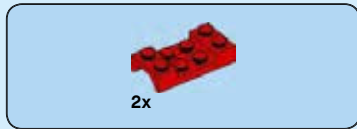
1



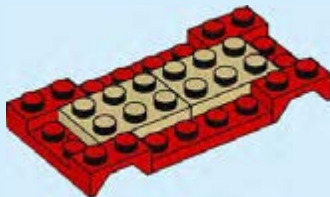
2



2



3



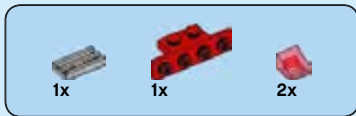
3



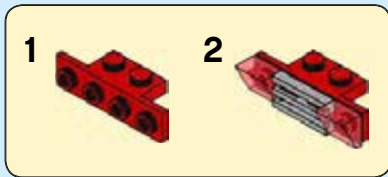
4



4



5



5



2x

6



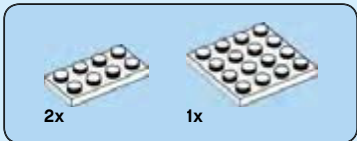
6



7



7



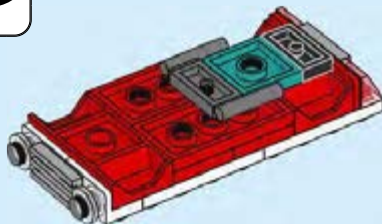
8



8



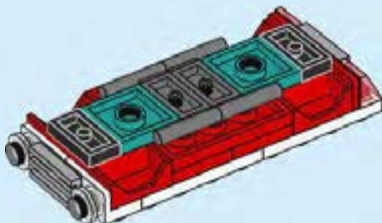
9



9



10

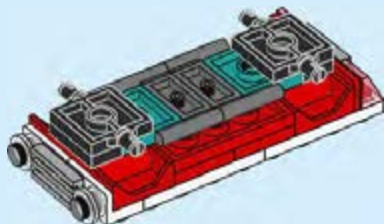


10



2x

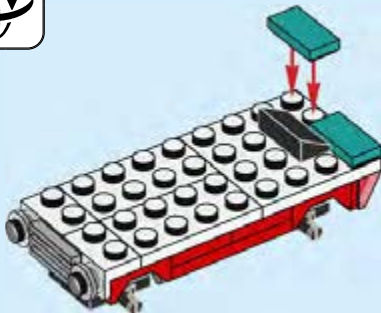
11



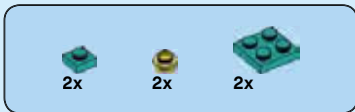
11



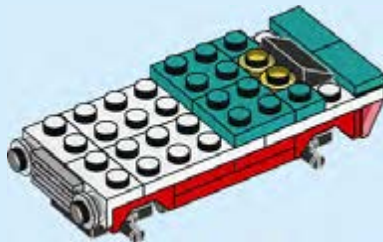
12



12



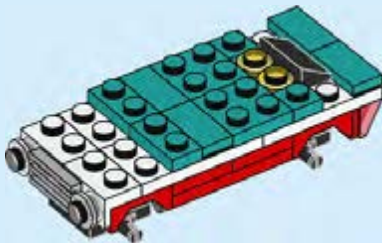
13



13



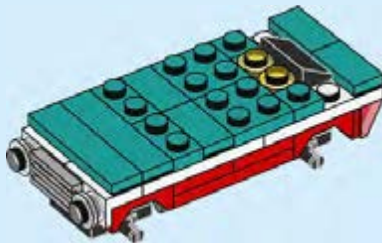
14



14



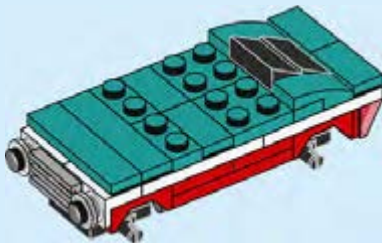
15



15



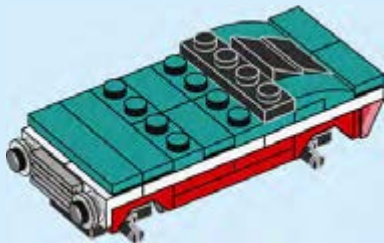
16



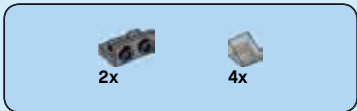
16



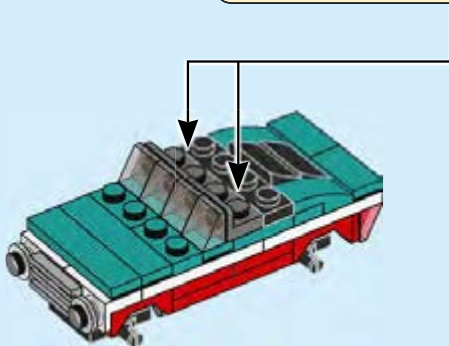
17



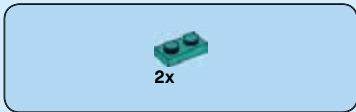
17



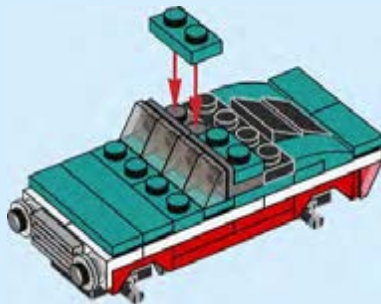
18



18



19



19



4x

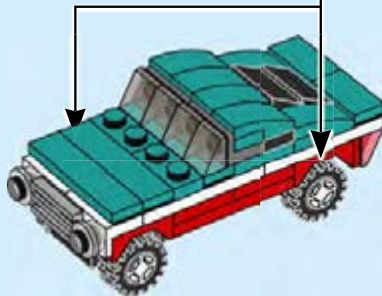
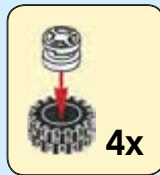
20



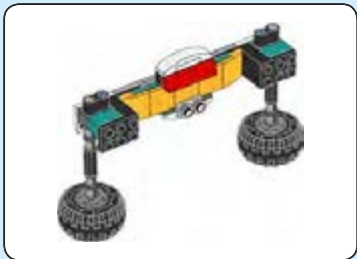
20



21



21



1

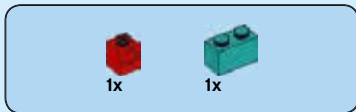


22

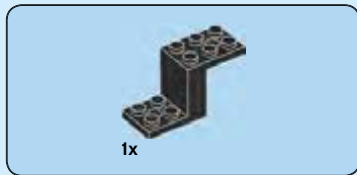


2





3



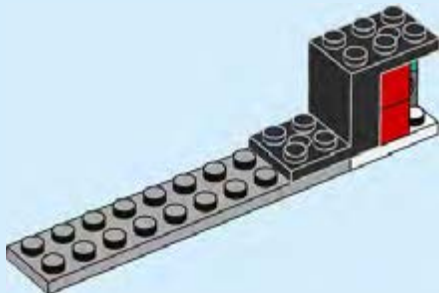
4



23



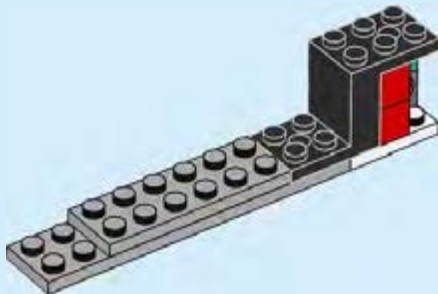
5



24



6



25



1x

7



26



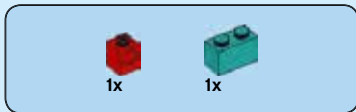
1x



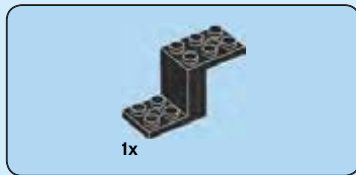
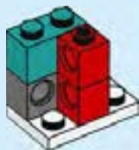
1x

8





9

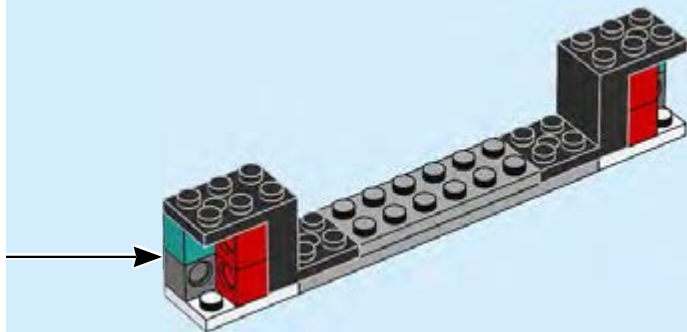


10



27

11

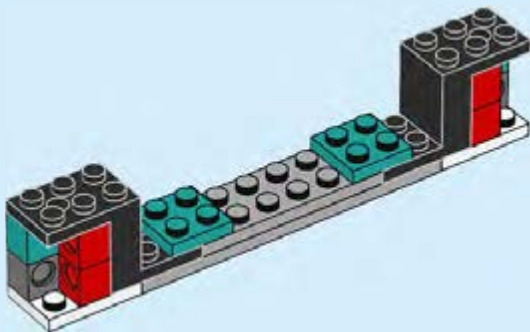


28



2x

12

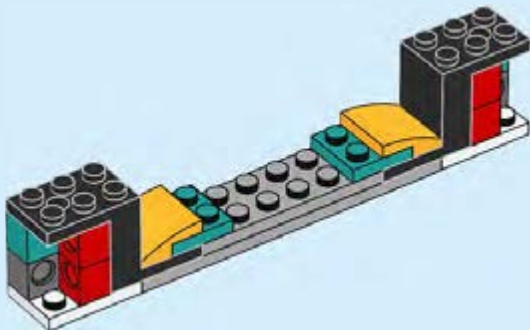


29



2x

13

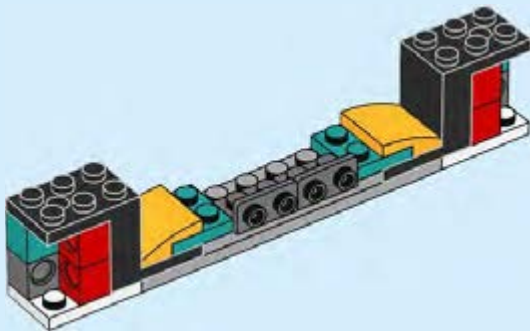


30



2x

14

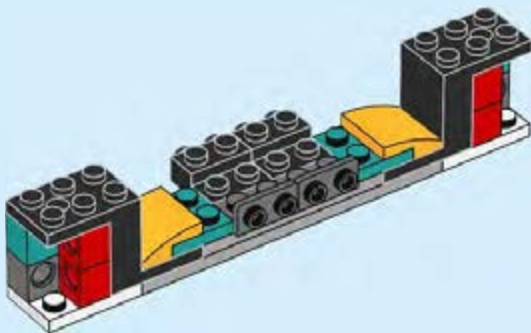


31



2x

15

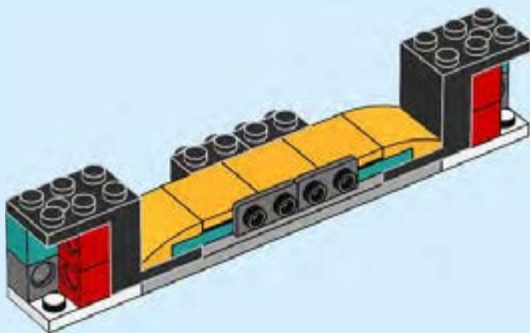


32



3x

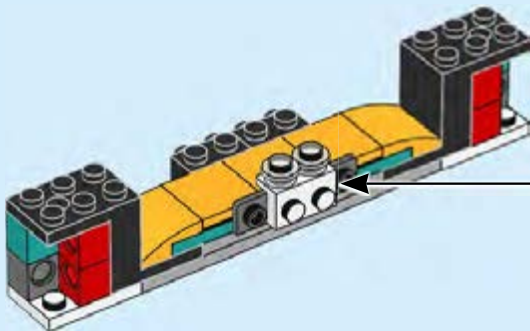
16



33



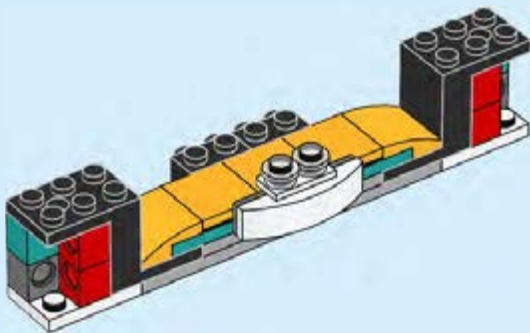
17



34



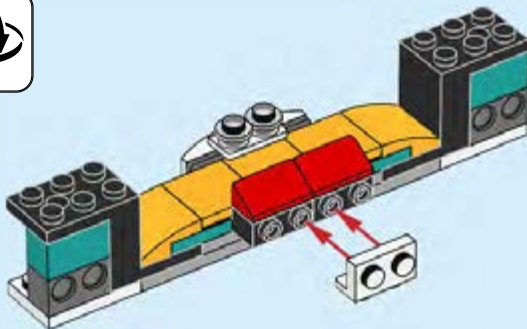
18



35



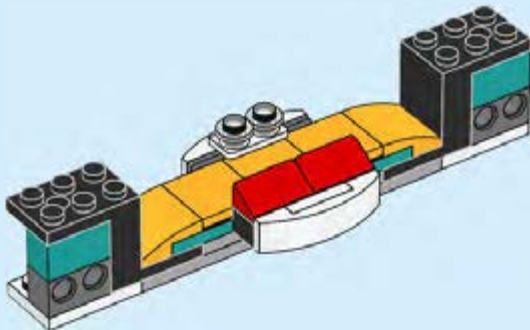
19



36



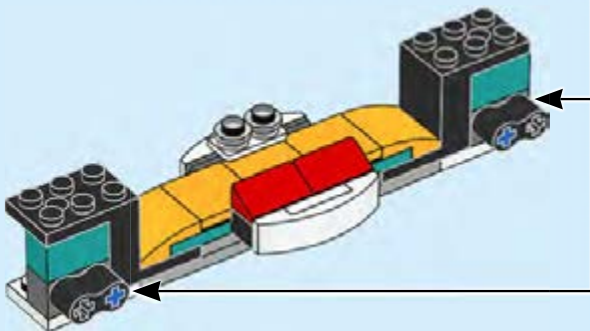
20

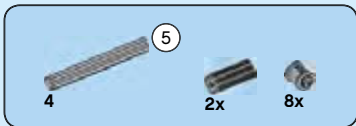


37



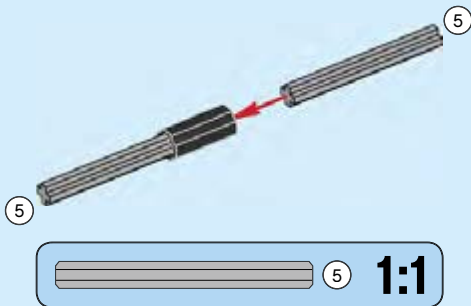
21





22

1



39

2

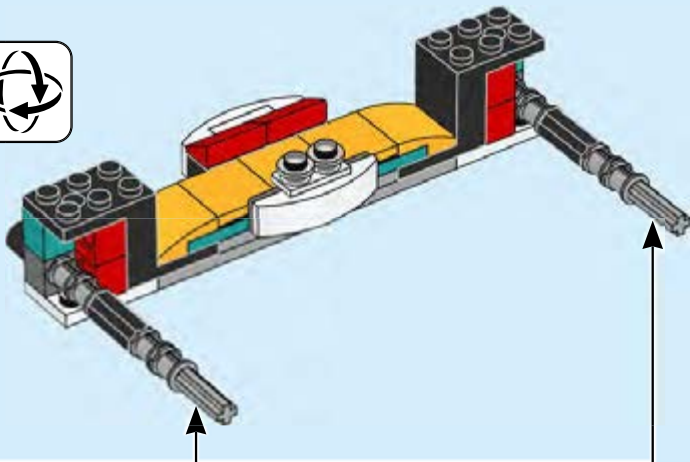


3

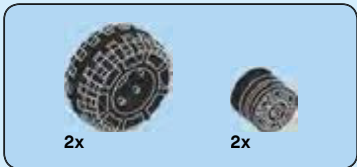


2x

40



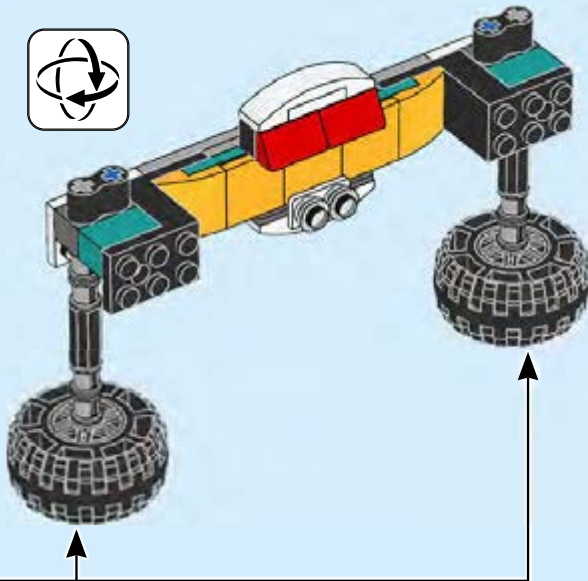
41



23



42



43

LEGO and the LEGO logo are trademarks of the/sonit des marques de commerce du/
son marcas registradas de LEGO Group. ©2020 The LEGO Group. 6308565/6308568

