

> bring your life

- EN** Congratulations on your purchase of the Thule RideAlong rear bicycle child seat. This is a premium product with every detail carefully designed for high safety and easy use. We wish you and your child many enjoyable moments together, exploring the world by bicycle.
- DE** Herzlichen Glückwunsch zum Kauf des Thule RideAlong Fahrradrücksitzes für Kinder. Dieses Premium-Produkt wurde mit besonderer Sorgfalt gefertigt, um hohe Sicherheit und Benutzerfreundlichkeit zu gewährleisten. Wir wünschen Ihnen und Ihrem Kind viele schöne gemeinsame Fahrradstunden.
- FR** Nous vous félicitons d'avoir acheté le siège vélo enfant Thule RideAlong. Il s'agit d'un excellent produit dont tous les détails ont été soigneusement conçus pour garantir une utilisation sûre et simple. Nous vous souhaitons, à vous et votre enfant, de nombreux moments de bonheur en découvrant le monde ensemble à vélo.
- ES** Enhorabuena por la compra del Thule RideAlong, el asiento para transportar niños en la parte trasera de la bicicleta. Se trata de un producto de gran calidad diseñado para un uso sencillo con una seguridad máxima. Esperamos que usted y su hijo disfruten juntos de muchos momentos agradables, descubriendo el mundo en bicicleta.

**Thule RideAlong - Rear Child Bike Seat
- Fahrradrücksitz für Kinder**

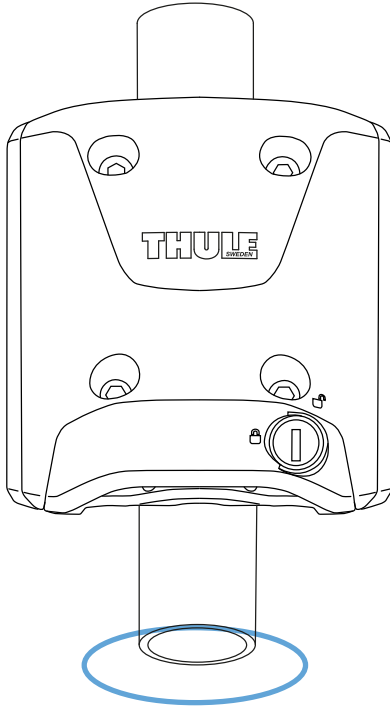
> product overview

übersicht

- EN** The Thule RideAlong is an adjustable rear bicycle child seat, approved for children from 9 months to 6 years with a maximum weight of 22 kg (48.5 lbs). Please read this manual carefully before installing or using the bicycle seat to learn about its functions and operation.
- DE** Der Thule RideAlong ist ein verstellbarer Fahrradrücksitz, freigegeben für Kinder im Alter von 9 Monaten bis 6 Jahren und einem Gewicht von maximal 22 kg. Bitte lesen Sie diese Gebrauchsanleitung sorgfältig durch, bevor Sie den Fahrradsitz anbringen oder benutzen, um sich mit den Funktionen und der Bedienung vertraut zu machen.
- FR** Le Thule RideAlong est un siège vélo pour enfant réglable. Il convient aux enfants âgés de 9 mois à 6 ans, d'un poids maximal de 22 kg. Veuillez lire attentivement ce manuel avant d'installer et d'utiliser ce siège vélo afin de connaître ses fonctions et de comprendre son fonctionnement.
- ES** El Thule RideAlong es un asiento para niños ajustable que se coloca en la parte trasera de la bicicleta. Su uso está aprobado para niños de 9 meses a 6 años con un peso máximo de 22 kg. Lea este manual detenidamente antes de instalar o utilizar el asiento para obtener información sobre su funcionamiento y sus prestaciones.



Thule RideAlong – Product Overview – Übersicht



Bicycle frame tube Fahrradrahmen

COMPATIBLE FRAMES/PASSENDE RAHMEN



diameter/durchmesser
27.2-40 mm
diameter/durchmesser
1.07-1.57"



max/max.
40x55 mm
max/max.
1.57x2.16"

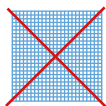
NON-COMPATIBLE FRAMES/ NICHT PASSENDE RAHMEN



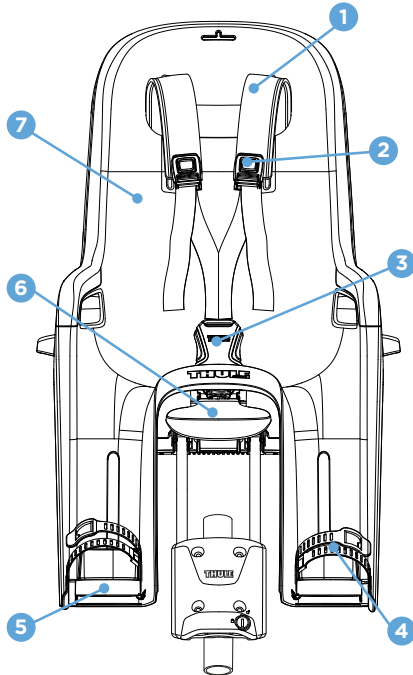
square
Vierkant



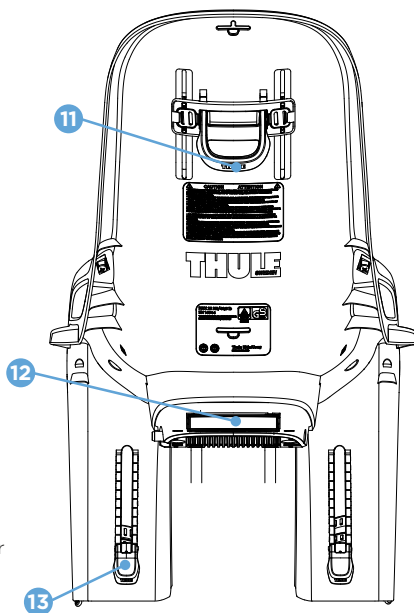
triangular
Dreieckig



carbon fibre
Carbon



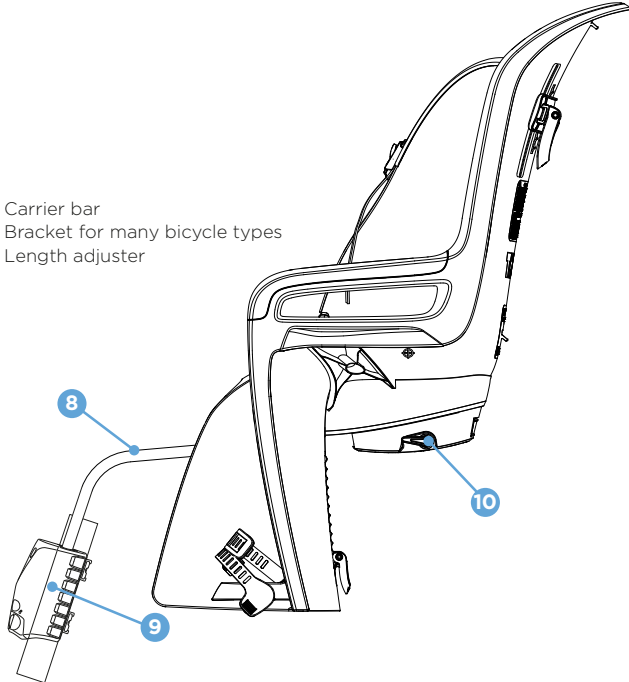
- 1 Comfortable harness
- 2 Harness length adjuster
- 3 Safety buckle
- 4 Fold-down footstraps
- 5 Footrest
- 6 Tilt adjuster
- 7 Washable padding



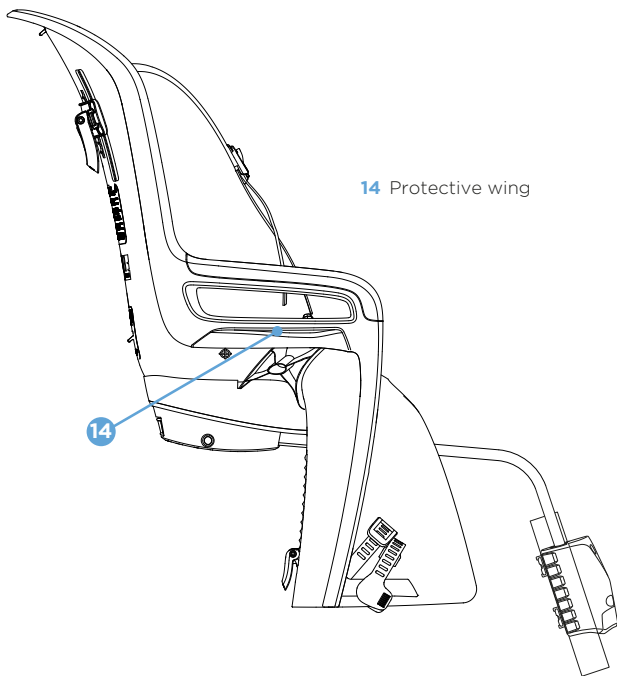
- 11 Harness height adjuster
- 12 Reflector
- 13 Footrest height adjuster

Thule RideAlong - Product Overview - Übersicht

- 8 Carrier bar
- 9 Bracket for many bicycle types
- 10 Length adjuster



- 14 Protective wing



DE

- 1 Komfortabler Gurt
- 2 Gurtlängenversteller
- 3 Gurtschloss
- 4 Klappbare Fußschlaufen
- 5 Fußstütze
- 6 Neigungsversteller
- 7 Waschbare Polsterung
- 8 Haltebügel
- 9 Halterung für verschiedene Fahrradtypen
- 10 Längenversteller
- 11 Höhenversteller für Gurt
- 12 Reflektor
- 13 Höhenversteller für Fußstütze
- 14 Schutzschale

FR

- 1 Harnais confortable
- 2 Harnais réglable en longueur
- 3 Boucle de sécurité
- 4 Sangles inférieures pliables
- 5 Repose-pieds
- 6 Inclinaison réglable
- 7 Rembourrage lavable
- 8 Barre de support
- 9 Support pour de nombreux types de vélo
- 10 Ajusteur de longueur
- 11 Harnais réglable en hauteur
- 12 Réflecteur
- 13 Repose-pieds réglable en hauteur
- 14 Aile de protection

ES

- 1 Cómodo arnés
- 2 Arnés regulable en longitud
- 3 Hebilla de seguridad
- 4 Correas plegables para los pies
- 5 Reposapiés
- 6 Regulador de inclinación
- 7 Acolchado lavable
- 8 Barra portaequipajes
- 9 Abrazadera compatible con múltiples tipos de bicicleta
- 10 Regulador de longitud
- 11 Regulador de altura del arnés
- 12 Reflector
- 13 Regulador de altura del reposapiés
- 14 Aleta de protección

AR

- 1 حزام شد مريح
- 2 جهاز ضبط طول حزام الشد
- 3 إبريم الأمان
- 4 أربطة قدم قابلة للطي
- 5 مسند للقدمين
- 6 جهاز ضبط الإمالة
- 7 حشوة قابلة للغسل
- 8 قضيب الناقل
- 9 كتيفة مخصصة للعديد من أنواع الدراجات
- 10 جهاز ضبط الطول
- 11 جهاز ضبط ارتفاع حزام الشد
- 12 عاكس
- 13 جهاز ضبط ارتفاع مسند القدمين
- 14 جناح واقٍ

BG

- 1 Удобни колани
- 2 Механизъм за регулиране на дължината на коланите
- 3 Безопасна катарам
- 4 Подвижни предпазители за краката
- 5 Поставки за краката
- 6 Механизъм за регулиране на наклона
- 7 Перяща се тапицерия
- 8 Носеща рамка
- 9 Скоба за различни видове велосипеди
- 10 Механизъм за регулиране на дължината
- 11 Механизъм за регулиране на височината на коланите
- 12 Светлоотразител
- 13 Механизъм за регулиране на височината на поставките за краката
- 14 Предпазно перило

CS

- 1 Pohodlné bezpečnostní popruhy
- 2 Pojistka pro nastavení délky popruhu
- 3 Bezpečnostní přezka
- 4 Sklopné nožní pásky
- 5 Nožní opěrka
- 6 Tlačítko pro nastavení náklonu sedačky
- 7 Měkká vložka (Ize práť)
- 8 Nosná tyč
- 9 Držák pro montáž na různé typy kol
- 10 Pojistka pro nastavení délky
- 11 Pojistka pro nastavení výšky popruhů
- 12 Odrazka
- 13 Pojistka pro nastavení výšky nožní opěrky
- 14 Bezpečnostní postranní křídlo

DK

- 1 Komfortabel sele
- 2 Beslag til justering af selens længde
- 3 Sikkerhedsspænde
- 4 Nedfoldelige fodremme
- 5 Fodstøtte
- 6 Vippejustering
- 7 Vaskbar siddepude
- 8 Bærestang
- 9 Beslag til mange cykeltyper
- 10 Beslag til længdejustering
- 11 Beslag til justering af selens højde
- 12 Reflektor
- 13 Beslag til justering af fodstøttens højde
- 14 Beskyttelsesvinge

EL

- 1 Ζώνη
- 2 Ρυθμιστής μήκους ζώνης
- 3 Πόρπη ασφαλείας
- 4 Λουράκια ποδιών
- 5 Στηρίγματα ποδιών
- 6 Ρυθμιστής κλίσης
- 7 Πλενόμενο μαξιλάρι
- 8 Ράβδος μεταφοράς
- 9 Βραχίονας για πολλούς τύπους ποδηλάτων
- 10 Ρυθμιστής μήκους
- 11 Ρυθμιστής μήκους ζώνης
- 12 Ανακλαστήρας
- 13 Ρυθμιστής μήκους στηριγμάτων ποδιών
- 14 Προστατευτικό πτερύγιο

ET

- 1 Mugavad turvarihmad
- 2 Turvarihmade pikkuse regulaator
- 3 Turvapannal
- 4 Allalükatavad jalarihmad
- 5 Jalatugi
- 6 Kalderegulaator
- 7 Pestav polster
- 8 Kandetala
- 9 Klamber paljudele jalgrattatüüpidele
- 10 Pikkuseregulaator
- 11 Turvarihmade kõrguse regulaator
- 12 Helkur
- 13 Jalatoe kõrguse regulaator
- 14 Kaitsetiib

FI

- 1 Mukavat valjaat
- 2 Valjaiden pituuden säädin
- 3 Turvasolki
- 4 Taitettavat jalkahihnat
- 5 Jalkatuki
- 6 Kallistuksensäädin
- 7 Pestävät pehmusteet
- 8 Kiinnityspotki
- 9 Monille eri polkupyörätyypeille sopiva kiinnike
- 10 Pituuden säädin
- 11 Valjaiden korkeussäädin
- 12 Heijastin
- 13 Jalkatuen korkeussäädin
- 14 Suojasiiveke

HE

- 1 רתמה נוחה
- 2 מתאם אורך רתמה
- 3 אבזם בטיחות
- 4 סרצועה מתקפלת לרגל
- 5 משענת לרגל
- 6 מתאם הטיה
- 7 ריפוד כביס
- 8 מוט נשיאה
- 9 תופסן לסוגי אופניים רבים
- 10 מתאם אורך
- 11 מתאם גובה רתמה
- 12 מחזיר אור
- 13 מתאם גובה של משענת לרגל
- 14 דופן הגנה

HR/BIH

- 1 Udobno remenje
- 2 Regulator duljine remenja
- 3 Sigurnosna kopča
- 4 Sklopive trake za stopala
- 5 Oslonac za noge
- 6 Regulator nagiba
- 7 Obloga koja se može prati
- 8 Nosiva šipka
- 9 Držač za mnoge vrste bicikala
- 10 Regulator duljine
- 11 Regulator visine remenja
- 12 Reflektor
- 13 Regulator visine oslonca za noge
- 14 Zaštitno krilo

HU

- 1 Kényelmes biztonsági öv
- 2 Biztonsági öv hosszállítója
- 3 Biztonsági csat
- 4 Lehajtható lábszíjak
- 5 Lábtartók
- 6 Döntésállító
- 7 Mosható párnázott huzat
- 8 Tartócső
- 9 Konzol többféle kerékpártípushoz
- 10 Hosszállító
- 11 Biztonsági öv magasságállítója
- 12 Fényvisszaverő
- 13 Lábtámasz magasságállítója
- 14 Védőszárny

IT

- 1 Imbracatura comoda
- 2 Regolatore della lunghezza dell'imbracatura
- 3 Fibbia di sicurezza
- 4 Cinghie fermapiedi a scomparsa
- 5 Poggiapiedi
- 6 Regolatore dell'inclinazione
- 7 Imbottitura lavabile
- 8 Barra di trasporto
- 9 Staffa adatta a diversi tipi di bicicletta
- 10 Regolatore della lunghezza
- 11 Regolatore dell'altezza dell'imbracatura
- 12 Catarifrangente
- 13 Regolatore altezza del poggiapiedi
- 14 Aletta protettiva

JA

- 1 快適な使い心地のハーネス
- 2 ハーネスの長さを調節できるアジャスター
- 3 セーフティバックル
- 4 折り畳み式フットストラップ
- 5 フットレスト
- 6 チルトアジャスター
- 7 水洗いが可能なパッド
- 8 キャリアバー
- 9 多種類のサイクル向けブラケット
- 10 長さ調節のできるアジャスター
- 11 ハーネスの高さが調節できるアジャスター
- 12 反射板
- 13 フットレストの高さが調節できるアジャスター
- 14 保護用ウィング

KO

- 1 편안한 벨트
- 2 벨트 길이 조절기
- 3 안전 버클
- 4 접이식 풋스트랩
- 5 발판
- 6 각도 조절기
- 7 세탁 가능 패딩
- 8 캐리어 바
- 9 여러 자전거 유형에 맞는 브래킷
- 10 길이 조절기
- 11 벨트 높이 조절기
- 12 리플렉터
- 13 발판 높이 조절기
- 14 보호 윙

LT

- 1 Patogūs saugos diržai
- 2 Saugos diržų ilgio reguliatorius
- 3 Saugi sagtis
- 4 Lankstomi dirželiai kojoms
- 5 Atrama kojoms
- 6 Posvyrio reguliatorius
- 7 Plaunamas įdėklas
- 8 Laikiklio strypas
- 9 Daugumai dviračių tipų tinkantis rėmas
- 10 Ilgio reguliatorius
- 11 Saugos diržų aukščio reguliatorius
- 12 Atšvaitas
- 13 Kojų atramų aukščio reguliatorius
- 14 Apsauginis sparnas

LV

- 1 Ērtas drošības jostas
- 2 Drošības jostu garuma regulētājs
- 3 Drošības sprādze
- 4 Noliecamas kāju siksnas
- 5 Kāju paliktnis
- 6 Noliešanas sistēmas regulētājs
- 7 Mazgājams polsterējums
- 8 Turētāja stienis
- 9 Dažādiem velosipēdu veidiem piemērotas skavas
- 10 Garuma regulētājs
- 11 Drošības jostu augstuma regulētājs
- 12 Atstarotājs
- 13 Kāju paliktņa augstuma regulētājs
- 14 Aizsargmala

Thule RideAlong - Product Overview - Übersicht

NL

- 1 Comfortabele gordel
- 2 Gordellengteversteller
- 3 Veiligheidsgordel
- 4 Neerklapbare voetbandjes
- 5 Voetensteun
- 6 Kantelverstelling
- 7 Wasbare bekleding
- 8 Draagstang
- 9 Klem voor diverse fietstypes
- 10 Lengteverstelling
- 11 Gordelhoogteverstelling
- 12 Reflector
- 13 Voetensteunverstelling
- 14 Beschermsstrook

NO

- 1 Behagelige festeseler
- 2 Lengdejustering for festeseler
- 3 Låsespenne
- 4 Nedfellbare fotstroppe
- 5 Fotstøtte
- 6 Vinkeljustering
- 7 Vaskbar polstring
- 8 Bærebøyle
- 9 Brakett som passert til ulike sykkeltyper
- 10 Lengdejustering
- 11 Høydejustering for festesele
- 12 Refleks
- 13 Høydejustering for fotstøtte
- 14 Håndbeskytter

PL

- 1 Komfortowe szelki
- 2 Regulator długości szelek
- 3 Klamra zabezpieczająca
- 4 Składane zapięcia stóp
- 5 Podnóżki
- 6 Regulator kąta odchylenia
- 7 Wyściółka do prania w pralce
- 8 Pałak mocujący
- 9 Uchwyt do rowerów różnego typu
- 10 Regulator położenia wzdłużnego
- 11 Regulator wysokości szelek
- 12 Element odblaskowy
- 13 Regulator wysokości podnóżków
- 14 Profil ochronny

PT

- 1 Cinto confortável
- 2 Regulador de comprimento do cinto
- 3 Fivela de segurança
- 4 Tira para pés ajustável
- 5 Apoio para os pés
- 6 Regulador para inclinação
- 7 Forro lavável
- 8 Barra de suporte
- 9 Fixador para vários tipos de bicicletas
- 10 Regulador para comprimento
- 11 Regulador de altura do cinto
- 12 Refletor
- 13 Regulador de altura do apoio para os pés
- 14 Asa de proteção

RO

- 1 Centură confortabilă
- 2 Ajustor pe lungime al centurii
- 3 Cataramă de siguranță
- 4 Benzi de fixare pliabile
- 5 Suport pentru picior
- 6 Ajustor cu înclinare
- 7 Căptușeală lavabilă
- 8 Bară suport
- 9 Consolă pentru multe tipuri de biciclete
- 10 Ajustor pe lungime
- 11 Ajustor pe înălțime al centurii
- 12 Reflector
- 13 Ajustor pe înălțime al suportului pentru picior
- 14 Aripă de protecție

RU

- 1 Удобный ремень безопасности
- 2 Устройство для регулировки длины ремня безопасности
- 3 Замок ремня безопасности
- 4 Откидные фиксаторы для ног
- 5 Опора для ноги
- 6 Регулятор поперечного наклона
- 7 Моющаяся подкладка
- 8 Опорная дуга
- 9 Опора для разных типов велосипедов
- 10 Устройство для регулировки длины
- 11 Устройство для регулировки высоты крепления ремня безопасности
- 12 Рефлектор
- 13 Устройство для регулировки высоты опоры для ноги
- 14 Защитный выступ

SK

- 1 Pohodlný popruh
- 2 Spóna na nastavenie dĺžky popruhu
- 3 Bezpečnostná pracka
- 4 Sklápatelné popruhy na nohy
- 5 Podnožka
- 6 Páčka na nastavenie sklonu
- 7 Prateľný poťah
- 8 Nosná tyč
- 9 Svorka na rôzne typy bicyklov
- 10 Páčka na nastavenie dĺžky
- 11 Páčka na nastavenie výšky popruhov
- 12 Odrážka
- 13 Páčka na nastavenie výšky podnožky
- 14 Ochranné krídlo

SL

- 1 Udoben pas
- 2 Regulator dolžine pasu
- 3 Varnostna zaponka
- 4 Zložljivi pasovi za noge
- 5 Naslon za noge
- 6 Regulator nagiba
- 7 Podloga, ki jo lahko operete
- 8 Palica nosilca
- 9 Kolesarski prtljažnik za različne vrste koles
- 10 Regulator dolžine
- 11 Regulator višine pasu
- 12 Odsevnik
- 13 Regulator višine naslona za noge
- 14 Zaščitno krilo

SV

- 1 Bekväm sele
- 2 Spännan för att justera selens längd
- 3 Säkerhetsspänne
- 4 Nedvikbara fotband
- 5 Fotstöd
- 6 Handtag för justering av lutning
- 7 Tvättbar sittedyna
- 8 Säteshållare
- 9 Beslag som passar många olika cykeltyper
- 10 Vred för längdjustering
- 11 Handtag för justering av selens höjd
- 12 Reflex
- 13 Vred för justering av fotstödet höjd
- 14 Sidoskydd

TH

- 1 สายรัดนิรภัยที่สวมใส่สบาย
- 2 ที่ปรับความยาวสายรัดนิรภัย
- 3 หัวเข็มขัดนิรภัย
- 4 สายรัดเท้าแบบปรับองศาได้
- 5 ที่พักเท้า
- 6 ตัวปรับเอียง
- 7 แผ่นรองแบบถอดซักได้
- 8 คานจับยึด
- 9 ขายึดสำหรับจักรยานชนิดต่างๆ
- 10 ที่ปรับความยาว
- 11 ที่ปรับระดับความสูงของสายรัดนิรภัย
- 12 แผ่นสะท้อนแสง
- 13 ที่ปรับระดับความสูงของที่พักเท้า
- 14 ปีกป้องกัน

TR

- 1 Konforlu emniyet kemeri
- 2 Emniyet kemeri uzunluk ayarlayıcısı
- 3 Güvenlik tokası
- 4 Katlanabilen ayak kayışları
- 5 Ayak dayama yeri
- 6 Eğim ayarlayıcı
- 7 Yıkanebilir koltuk minderi
- 8 Taşıyıcı çubuk
- 9 Birçok bisiklet türüne uygun bağlantı parçası
- 10 Uzunluk ayarlayıcısı
- 11 Emniyet kemeri yükseklik ayarlayıcısı
- 12 Reflektör
- 13 Ayak dayama yeri yükseklik ayarlayıcısı
- 14 Koruyucu kanat

UK

- 1 Зручні ремені безпеки
- 2 Регулятор довжини ременів безпеки
- 3 Запобіжна пряжка
- 4 Відкидні фіксатори для ніг
- 5 Підніжка
- 6 Регулятор нахилу
- 7 Подушка, яку можна прати
- 8 Підвіска
- 9 Кронштейн для різних типів велосипедів
- 10 Регулятор довжини
- 11 Регулятор висоти кріплення ременів безпеки
- 12 Світловідбивач
- 13 Регулятор висоти підніжки
- 14 Захисне крило

Thule RideAlong - Product Overview - Übersicht

ZH

- 1 舒适的安全带
- 2 安全带长度调节器
- 3 安全卡扣
- 4 折叠式脚祥
- 5 脚蹬
- 6 角度调节器
- 7 可洗衬垫
- 8 承载杆
- 9 适合多种类型自行车的托座
- 10 长度调节器
- 11 安全带高度调节器
- 12 反射器
- 13 脚蹬高度调节器
- 14 防护翼

> caution

achtung

- EN** Please read the instructions carefully before mounting or using the Thule RideAlong rear bicycle child seat. We wish you and your child many pleasant experiences when you explore the world by bicycle.
- DE** Bitte lesen Sie diese Anleitung sorgfältig durch, bevor Sie den Thule RideAlong Fahrradrücksitz für Kinder anbringen oder benutzen. Wir wünschen Ihnen und Ihrem Kind viele schöne gemeinsame Stunden auf dem Fahrrad.
- FR** Veuillez lire attentivement les instructions avant d'installer ou d'utiliser le siège vélo enfant Thule RideAlong. Nous vous souhaitons, à vous et votre enfant, d'agréables moments dans votre découverte du monde à vélo.
- ES** Lea detenidamente las instrucciones antes de instalar o utilizar el asiento infantil para bicicleta Thule RideAlong. Esperamos que usted y su hijo disfruten de innumerables experiencias agradables mientras descubren el mundo en bicicleta.

EN CAUTION

INSTALLATION

Be sure to keep this manual in a safe place after you have mounted the bicycle seat. You or other users may need it for future reference.

Make sure your bicycle is compatible with this child seat. If you have any questions, please check the information supplied with the bicycle, or ask the bicycle dealer or manufacturer.

Only mount to the frame. This product fits round frames with a diameter of 27.2-40 mm (1.07-1.57") and elliptical frames max 40x55 mm (1.57x2.16").

Cannot be mounted on bicycles with square, triangular or carbon fibre frames.

Maximum width of the luggage carrier is 155 mm (6.10").

Identify the centre of gravity mark and mount the seat as far forward as possible. Preferably, have this mark in front of the rear wheel axle, but on no account more than 100 mm (3.94") behind a point vertically above the rear wheel axle.

Make sure the bracket screws

are fully tightened, and check them frequently.

This product is not suitable for use on a moped.

For the child's optimum comfort and safety, make sure the seat does not slope forwards, allowing the child to slide out of it. Preferably, the backrest should slope slightly backwards.

Check that all parts of the bicycle function correctly with the seat mounted.

USE

This product is approved for children from 9 months up to 6 years old, with a weight of 9-22 kg (20-48.5 lbs). Do not carry a child that is too young, and always consult a pediatrician before transporting a child younger than 1 year. Carry only children that are able to sit unaided for a longer period of time, at least as long as the intended cycle journey. Regardless of age, the child must be able to hold his/her head up while wearing a correctly sized bicycle helmet. Check regularly that the child does not exceed the maximum weight.

Before each use, check all

Thule RideAlong - Caution - Achtung

screws to verify that the child seat is securely fastened to the bicycle.

During the ride, make sure both you and your child wear an approved bicycle helmet.

Never ride the bicycle at night without adequate lighting. Do not cover the rear reflectors or rear light when using the child seat on a bicycle.

The presence of a child bicycle seat may require you to change the way you get on/off the bicycle. Please pay extra attention to this.

Before each ride, ensure the mounted bicycle seat does not interfere with braking, pedalling or steering.

Always use the harness, and make sure you fasten it correctly round the child. Ensure the harness and footstraps are not loose or could become trapped in moving parts such as wheels. This also applies when you are using the bicycle without a child in the seat.

Make sure the child's clothes, shoes, toys or body parts do not come into contact with any moving parts of the bicycle, such as wheels, wires and saddle springs. Check this regularly as the child grows. Saddle springs can be covered with a suitable spring guard.

Ensure there are no sharp objects within reach of the child, e.g. frayed cables.

The seated child often needs warmer clothes than the rider does. To protect you both from unexpected rain it is wise to carry waterproof clothing. Never ride in inclement or hazardous conditions, such as cold weather that could cause the child to suffer frostbite.

Check the temperature of the seat before seating the child, especially on hot, sunny days.

Remove the child seat when transporting the bicycle on a car. Air turbulence might damage the seat or loosen its fastening, which could result in an accident.

Before use, check whether there are any national laws and regulations specific to carrying a child in a bicycle child seat.

MAINTENANCE

To clean the child seat, only use lukewarm soapy water. To clean the padding, see the washing instructions on the padding.

If any part of the child seat is damaged or broken, please contact your closest Thule dealer.

WARNINGS

Do not attach extra luggage or equipment to the child seat. Any extra load is best attached to the front end of the bicycle.

Do not modify the product in any way.

The bicycle may behave differently with a child in the seat, particularly regarding balance, steering and braking.

Never leave the bicycle parked unattended with a child in the seat.

Never leave the child in the seat when the bicycle is parked and supported only by a kickstand.

Do not use the seat if any part is broken.

Failure to comply with the safety instructions can lead to serious injury or death of the child or rider.

DE ACHTUNG

MONTAGE

Bewahren Sie diese Gebrauchsanleitung nach der Montage des Fahrradsitzes als künftige Referenz für Sie oder andere Personen sicher auf.

Vergewissern Sie sich, dass Ihr Fahrrad mit diesem Kindersitz kompatibel ist. Wenn Sie Fragen haben, lesen Sie die zum Fahrrad gehörende Dokumentation oder fragen Sie einen Fahrradhändler oder -hersteller.

Die Montage darf nur am Fahrradrahmen erfolgen. Dieses Produkt ist für runde Rahmen mit einem Durchmesser von 27,2-40

mm und für elliptische Rahmen mit maximal 40 x 55 mm geeignet.

Die Montage auf Fahrrädern mit Vierkant-, Dreikant- oder Carbonrahmen ist nicht möglich. Die maximale Breite des Gepäckträgers beträgt 155 mm.

Richten Sie den Schwerpunkt mithilfe der Markierung aus und montieren Sie den Sitz soweit vorne wie möglich. Im Idealfall sollte die Markierung vor, jedoch keinesfalls mehr als 100 mm hinter der Hinterachse liegen.

Vergewissern Sie sich, dass die Halterungsschrauben vollständig angezogen sind, und überprüfen Sie sie regelmäßig häufig. Dieses Produkt darf nicht auf einem

Moped verwendet werden. Achten Sie für optimalen Komfort und Sicherheit darauf, dass der montierte Sitz nicht nach vorn hängt, da das Kind sonst von der Sitzfläche rutschen könnte. Idealerweise sollte die Rückenlehne leicht nach hinten neigen.

Stellen Sie sicher, dass das Fahrrad bei montiertem Sitz voll funktionsfähig ist.

GEBRAUCH

Dieses Produkt ist freigegeben für Kinder im Alter von 9 Monaten bis 6 Jahren und einem Gewicht von maximal 22 kg. Nehmen Sie keine zu kleinen Kinder auf dem Fahrrad mit. Fragen Sie stets einen Kinderarzt, bevor Sie ein Kind unter 1 Jahr auf dem Fahrrad transportieren. Befördern Sie nur Kinder, die ohne Hilfe längere Zeit, mindestens aber für die Dauer der vorgesehenen Radtour sitzen können. Das Kind muss unabhängig von seinem Alter den Kopf beim Tragen eines geeigneten Fahrradhelms eigenständig halten können. Vergewissern Sie sich regelmäßig, dass das Körpergewicht Ihres Kindes das Maximalgewicht nicht überschreitet.

Überprüfen Sie vor der Verwendung alle Schrauben, um sicherzustellen, dass der Kindersitz fest am Fahrrad angebracht ist.

Achten Sie während der Fahrt darauf, dass Sie und Ihr Kind einen geeigneten Fahrradhelm tragen. Achten Sie bei Nachtfahrten auf eine geeignete Fahrradbeleuchtung und stellen Sie sicher, dass die hinteren Reflektoren oder Leuchten bei montiertem Kindersitz nicht verdeckt sind.

Bitte beachten Sie, dass das Auf- und Absteigen auf das Fahrrad durch den Kindersitz erschwert sein könnte.

Stellen Sie vor jeder Fahrt sicher, dass Sie der montierte Fahrradsitz nicht beim Bremsen, Treten oder Lenken beeinträchtigt.

Schnallen Sie Ihr Kind immer an und achten Sie darauf, dass der Gurt richtig sitzt. Gurt und Fußschlaufen dürfen nicht locker sein und nicht in bewegliche Teile wie Radspeichen gelangen. Dies gilt auch dann, wenn sich das Kind nicht im montierten Fahrradsitz befindet.

Stellen Sie sicher, dass weder Ihr Kind noch Kleidungsstücke, Schuhe oder Spielsachen in die beweglichen Teile des Fahrrads wie Speichen, Gänge oder Sattelfedern

geraten können. Überprüfen Sie dies regelmäßig mit zunehmendem Alter des Kindes. Sattelfedern können mit einem Sattelfederschutzhülse gesichert werden.

Achten Sie darauf, dass sich scharfe Gegenstände wie etwa zerschlissene Drähte außerhalb der Reichweite des Kindes befinden.

Das im Kindersitz transportierte Kind muss häufig wärmer gekleidet sein als der aktive Fahrer. Schützen Sie sich und Ihr Kind mit angemessener, wetterfester Kleidung. Fahren Sie niemals bei widrigen Wetterverhältnissen wie großer Kälte, da dies zu Erfrierungen führen kann.

Prüfen Sie die Temperatur des Sitzes, bevor Sie Ihr Kind hineinsetzen, vor allem an heißen, sonnigen Tagen.

Nehmen Sie den Kindersitz ab, bevor Sie Ihr Fahrrad auf dem Auto transportieren. Die auftretenden Luftverwirbelungen könnten den Sitz oder die Befestigungen beschädigen, was zu Unfällen führen kann.

Beachten Sie die gesetzlichen Bestimmungen Ihres Landes hinsichtlich des Transports von Kindern in Fahrradsitzen.

WARTUNG

Reinigen Sie den Kindersitz nur mit lauwarmem Seifenwasser. Die Polsterung ist waschbar, beachten Sie dabei die entsprechenden Pflegehinweise.

Sollten Teile des Kindersitzes beschädigt oder defekt sein, wenden Sie sich bitte an Ihren Thule Händler.

SICHERHEITSHINWEISE

Befestigen Sie kein zusätzliches Gepäck oder zusätzliche Ausrüstung am Kindersitz, sondern transportieren Sie diese am besten vorne am Fahrrad.

Nehmen Sie keinerlei Änderungen an diesem Produkt vor.

Durch die Montage des Kindersitzes verändert sich das Fahrverhalten Ihres Fahrrades, vor allem hinsichtlich Gleichgewicht, Lenkung und Bremsen. Bitte passen Sie Ihre Fahrweise entsprechend an.

Lassen Sie Ihr Kind niemals unbeaufsichtigt im Fahrradsitz sitzen, wenn Sie Ihr Fahrrad abstellen.

Lassen Sie Ihr Kind niemals im Fahrradsitz sitzen, wenn Sie Ihr Fahrrad abstellen und es nur mittels Fahrradständer stützen.

Der Sitz darf nicht verwendet

Thule RideAlong - Caution - Achtung

werden, wenn irgendein Teil defekt ist.

Die Nichtbeachtung dieser

Sicherheitshinweise kann zu schweren Verletzungen oder zum Tod des Kindes oder des Fahrers führen.

FR ATTENTION

INSTALLATION

Veillez à conserver ce manuel dans un endroit sûr après avoir installé le siège vélo enfant. Vous en aurez peut-être besoin plus tard.

Assurez-vous que votre vélo est compatible avec ce siège vélo enfant. Si vous avez des questions, veuillez consulter les informations fournies avec le vélo ou vous adresser au fabricant ou revendeur du vélo.

À monter uniquement sur le cadre. Ce produit convient aux cadres ronds de 27,2-40 mm (1,07-1,57") et ovales de 40 x 55 mm (1,57 x 2,16") maximum.

Il ne peut pas être monté sur des vélos munis d'un cadre carré, triangulaire ou en fibre de carbone. La largeur maximale du porte-bagages est de 155 mm.

Repérez la marque du centre de gravité et installez le siège le plus près possible de la selle. De préférence, placez cette marque dans l'axe de la roue arrière, mais en aucun cas plus de 100 mm derrière.

Vérifiez que les vis du support sont serrées à fond et contrôlez-les régulièrement. Ce produit ne peut pas être installé sur un cyclomoteur.

Pour le confort et la sécurité de votre enfant, vérifiez que le siège ne penche pas vers l'avant, ce qui pourrait faire glisser l'enfant. De préférence, le dossier devrait pencher légèrement vers l'arrière.

Vérifiez que toutes les pièces du vélo fonctionnent correctement une fois le siège installé.

UTILISATION

Ce produit est approuvé pour des enfants âgés de 9 mois à 6 ans et pesant entre 9 et 22 kg. Ne transportez pas de trop jeunes enfants et consultez toujours un pédiatre avant de transporter un enfant de moins d'un an. Ne transportez que des enfants capables de tenir assis sans aide pendant une période prolongée, au moins la durée prévue de la sortie à vélo. Quel que soit son âge, l'enfant doit être capable de tenir sa tête droite

lorsqu'il porte un casque de vélo bien ajusté. Vérifiez régulièrement que l'enfant ne dépasse pas le poids maximal autorisé.

Avant chaque utilisation, contrôlez toutes les vis et vérifiez que le siège enfant est solidement fixé au siège.

Lors du trajet, veillez à ce que vous et votre enfant portiez un casque de vélo approuvé. Ne roulez jamais la nuit sans éclairage adéquat. Ne couvrez pas les réflecteurs et feux arrière lorsque vous utilisez le siège enfant sur un vélo.

La présence d'un siège enfant sur le vélo peut modifier la façon dont vous montez ou descendez de votre vélo. Soyez particulièrement vigilant.

Avant chaque sortie, assurez-vous que le siège vélo enfant installé ne gêne pas le freinage, les pédales, ou la direction du vélo.

Utilisez toujours le harnais et vérifiez que vous l'attachez correctement autour de l'enfant. Vérifiez que le harnais et les sangles inférieures ne sont pas desserrées ou ne risquent pas d'être attrapées par des pièces mobiles comme les roues. Ceci s'applique également lorsque vous utilisez le vélo sans enfant présent dans le siège.

Vérifiez que les vêtements, chaussures, jouets ou parties du corps de l'enfant n'entrent pas en contact avec les pièces mobiles du vélo, comme les roues, les câbles et les ressorts de la selle. Comme votre enfant grandit, assurez-vous en régulièrement. Les ressorts de la selle peuvent être recouverts d'une gaine adéquate.

Vérifiez qu'aucun objet tranchant n'est à la portée de l'enfant, comme des câbles effilochés.

L'enfant assis dans le siège doit souvent porter des vêtements plus chauds que ceux du cycliste. Pour vous protéger tous deux d'une pluie inattendue, il est conseillé d'emporter des vêtements imperméables. Ne roulez jamais dans des conditions difficiles ou dangereuses, comme un temps froid pouvant causer des gelures à l'enfant.

Vérifiez la température du siège avant d'y assoir l'enfant, surtout les

siège vélo enfant. Il est conseillé d'attacher toute charge supplémentaire à l'avant du vélo.

Retirez le siège vélo enfant lorsque vous transportez le vélo sur une voiture. La turbulence de l'air peut endommager le siège ou le détacher, ce qui peut entraîner un accident.

Avant l'utilisation, vérifiez qu'il n'y a aucune loi ou réglementation nationale spécifique relative au transport d'un enfant dans un siège vélo enfant.

ENTRETIEN

Pour nettoyer le siège enfant, il suffit d'utiliser de l'eau tiède savonneuse. Pour nettoyer le rembourrage, veuillez consulter les instructions indiquées sur celui-ci.

Si un élément du siège vélo enfant est endommagé ou cassé, veuillez contacter votre revendeur Thule le plus proche.

MISE EN GARDE

N'attachez pas de bagages ou d'équipements supplémentaires au

siège vélo enfant. Il est conseillé d'attacher toute charge supplémentaire à l'avant du vélo.

Ne modifiez jamais le produit de quelque manière que ce soit.

Le fonctionnement du vélo peut être modifié lorsqu'un enfant est présent dans le siège, notamment en ce qui concerne l'équilibre, la direction et le freinage.

Ne laissez jamais le vélo sans surveillance lorsqu'un enfant est présent dans le siège.

Ne laissez jamais l'enfant sans surveillance lorsque le vélo est garé et seulement soutenu par une béquille.

N'utilisez pas le siège vélo enfant si un élément est cassé.

Une utilisation non conforme aux instructions de sécurité peut provoquer des blessures graves voire mortelles pour l'enfant ou le cycliste.

ES ¡¡IMPORTANTE!

INSTALACIÓN

Asegúrese de conservar este manual en un lugar seguro después de haber montado el asiento para bicicleta. Es posible que usted u otros usuarios necesiten consultarlo en otro momento.

Compruebe que su bicicleta es compatible con este asiento infantil. Si tiene alguna duda, compruebe la información que se suministra con la bicicleta o consulte al distribuidor o fabricante de la misma.

Montaje únicamente en el cuadro. Este producto es apto para cuadros redondos con un diámetro de 27,2 a 40 mm y ovalado con un diámetro máximo de 40 x 55.

No se puede montar en bicicletas con cuadros triangulares, cuadrados o de fibra de carbono. La anchura máxima del portaequipajes es de 155 mm.

Identifique el centro de la marca de gravedad y monte el asiento lo más adelante que sea posible. Preferiblemente, la marca debe quedar delante del eje de la rueda trasera y en ningún caso más de 100 mm por detrás de un punto situado en vertical encima del eje de dicha rueda.

Asegúrese de que los tornillos de la abrazadera están bien apreta-

dos y compruébelos periódicamente. Este producto no es adecuado para su uso en ciclomotores.

Para que el niño viaje con la máxima seguridad y comodidad, asegúrese de que el asiento no se incline hacia delante, con el posible riesgo de que el niño se deslice fuera de él. Si es posible, el respaldo debe estar ligeramente inclinado hacia atrás.

Compruebe que todas las piezas de la bicicleta funcionan correctamente con el asiento montado.

USO

Este producto está aprobado para utilizarse con niños de 9 meses a 6 años, con un peso de entre 9 y 22 kg. No lleve en él a niños demasiado pequeños y consulte siempre al pediatra antes de llevar a niños menores de 1 año. Solo para niños que puedan mantenerse sentados sin ayuda durante más tiempo, como mínimo durante la duración prevista del recorrido en bicicleta. Independientemente de su edad, el niño debe ser capaz de sujetar la cabeza mientras lleva puesto un casco para bicicleta de las dimensiones adecuadas. Compruebe periódicamente que el niño no supera el peso máximo permitido.

Antes de cada uso, compruebe todos los tornillos para asegurarse

Thule RideAlong - Caution - Achtung

de que el asiento está bien sujeto a la bicicleta.

Asegúrese de que tanto usted como el niño lleven un casco aprobado para bicicleta antes de montar en ella. Nunca monte en bicicleta por la noche sin la iluminación adecuada. No cubra los reflectores traseros cuando utilice el asiento para niños.

La presencia del asiento para niños puede exigirle que cambie la forma de subirse y bajarse de la bicicleta. Preste una atención especial a este tema.

Antes de montar en la bicicleta, asegúrese de que el asiento para niños no interfiera con los frenos, los pedales ni la dirección.

Utilice siempre el arnés y asegúrese de ajustarlo correctamente alrededor del niño. Compruebe que el arnés y las correas para los pies no están sueltos, y que no existe el riesgo de que se enganchen con piezas móviles como, por ejemplo, las ruedas. Esto también se aplica cuando se utiliza la bicicleta sin el asiento para niños.

Asegúrese de que la ropa, los zapatos, los juguetes o las partes del cuerpo del niño no entren en contacto con piezas móviles de la bicicleta como, por ejemplo, ruedas, cables y muelles del sillín. Compruébelo periódicamente a medida que el niño crece. Los muelles del sillín pueden cubrirse con una protección adecuada.

Asegúrese de que no haya objetos afilados al alcance del niño, por ejemplo, cables pelados.

El niño que ocupe el asiento necesitará estar más abrigado que el adulto que lleve la bicicleta. Para proteger a ambos de la lluvia imprevista, es aconsejable llevar ropa impermeable. No monte nunca en condiciones peligrosas o de tiempo extremo, por ejemplo cuando hace mucho frío, ya que el niño podría sufrir congelación.

Compruebe la temperatura del

asiento antes de sentar al niño, especialmente en los días soleados y calurosos.

Quite el asiento para niños cuando transporte la bicicleta en automóvil. Las turbulencias podrían causar daños en el asiento o aflojar sus fijaciones, lo que podría dar lugar a un accidente.

Antes de utilizar el producto, compruebe si existe algún tipo de legislación y normativas nacionales específicas para el transporte de niños en asientos para bicicletas.

MANTENIMIENTO

Para limpiar el asiento para niños, utilice agua jabonosa templada. Para limpiar el acolchado, consulte las instrucciones de lavado que se indican en él.

Si alguna pieza del asiento para niños está rota o deteriorada, póngase en contacto con el distribuidor de Thule más cercano.

ADVERTENCIAS

No acople equipaje o equipo adicional al asiento para niños. Cualquier carga adicional se lleva mejor en el extremo delantero de la bicicleta.

No modifique el producto de forma alguna.

El comportamiento de la bicicleta podría ser diferente con un niño en el asiento, especialmente en lo relativo al equilibrio, la dirección y el frenado.

Nunca deje la bicicleta aparcada y sin supervisión con un niño en el asiento.

Nunca deje al niño en el asiento si aparca la bicicleta sujeta solo con un pie de apoyo.

No utilice el asiento si alguna de sus piezas está rota.

El incumplimiento de las instrucciones de seguridad puede producir lesiones graves e incluso la muerte del niño o del adulto que lleva la bicicleta.

AR CAUTION!

التركيب

تأكد من الحفاظ على هذا الدليل في مكان آمن حتى بعد تركيب مقعد الدراجة. فقد تحتاجه أنت أو المستخدمون الآخرون كمرجع في المستقبل.

تأكد من أن دراجتك متوافقة مع مقعد الطفل. وإذا كانت لديك أي أسئلة، يرجى مراجعة المعلومات المرفقة مع الدراجة، أو سؤال الوكيل المعتمد للدراجة أو الجهة المصنعة.

لا تقم بتركيبه إلا في الهيكل. يُعد هذا المنتج مناسباً للهيكل

الدائرية بقطر من 27,2 إلى 40 سم (من 1.07 إلى 1.57 بوصة) وللهايكل بيضاوية الشكل مقاس 40x55 سم (1.57x2.16 بوصة) كحد أقصى.

لا يمكن تركيبه في الدراجات المزودة بهايكل مربعة أو مثلثة من ألياف الكربون. أقصى عرض لناقل الحقائب هو 155 مم (6.10 بوصة).

حدد علامة مركز الثقل وركب المقعد في أقصى نقطة ممكنة بالمقدمة. من المفضل جعل هذه العلامة في مقدمة محور العجلة الخلفية، ولكن ليس على مسافة أكثر من

100 мм (3,94 بوصة) خلف أي نقطة فوق محور العجلة الخلفية عمودياً. قم بتدوير جهاز ضبط الطول لإرجاعه إلى وضعه العلوي.
تأكد من إحكام ربط مسامير الكتيافة تماماً، وتحقق منها بانتظام. لا يُعد هذا المنتج ملائماً للاستخدام على الدراجات المزودة بمحرك.
للحصول على المستوى الأمثل لراحة طفلك وسلامته، تأكد من أن المقعد لا يميل إلى الأمام، مما يسمح بانزلاق الطفل خارجه. ويُفضل أن يميل مسند الظهر إلى الوراء قليلاً.
تأكد من أن جميع أجزاء الدراجة تعمل بشكل صحيح أثناء تركيب المقعد.

الاستخدام

يُعد هذا المنتج معتمداً للأطفال من عمر 9 أشهر حتى 6 سنوات، بوزن من 9 إلى 22 كجم (من 20 إلى 48,5 رطلاً). لا تحمل إلا الأطفال القادرين على الجلوس لفترة زمنية أطول دون مساعدة من أحد، على الأقل طول فترة الرحلة بالدراجة المقصودة. لا تحمل بالدراجة طفلاً صغيراً جداً، ويجب دائماً استشارة طبيب أطفال قبل نقل أي طفل بعمر أقل من عام. بغض النظر عن العمر، يجب أن يكون الطفل قادراً على جعل رأسه مرتفعاً أثناء ارتداء خوذة ركوب الدراجات بالحجم المناسب. وتحقق بانتظام من أن وزن الطفل لا يتجاوز الحد الأقصى.
قبل كل استخدام، تحقق من جميع المسامير اللولبية لضمان تثبيت مقعد الطفل بأمان في الدراجة.
أثناء ركوب الدراجة، تأكد من أنك أنت والطفل ترتديان خوذة معتمدة لركوب الدراجة. لا تركيب الدراجة بالليل دون توفر إضاءة مناسبة. لا تعتمد على تغطية العاكسات الخلفية أو المصباح الخلفي عند استخدام مقعد الطفل على الدراجة.

إن وجود مقعد على الدراجة لطفل قد يتطلب منك تغيير الطريقة التي تتركب/تنزل بها عن الدراجة. يرجى إيلاء اهتمام إضافي لهذا.
قبل كل مرة تركيب فيها الدراجة، تأكد من أن مقعد الدراجة الذي تم تركيبه لا يعوق استخدام الفرامل أو التبديل أو التوجيه.
احرص دائماً على استخدام حزام الشد، وتأكد من ربطه حول الطفل بشكل صحيح. كذلك تأكد من أن حزام الشد وأربطة القدمين ليست مفكوكة أو قابلة للانحصار في الأجزاء المتحركة مثل العجلات. ينطبق هذا التوجيه كذلك عند استخدام الدراجة دون وجود طفل على المقعد.
تأكد من أن ملابس الطفل أو حذاءه أو ألعابها أو أجزاء

جسمه لا تتلامس مع أي أجزاء متحركة من الدراجة، مثل العجلات والأسلاك ووحدات زنبرك مقعد الدراجة. تحقق من هذا بانتظام كلما نما جسم الطفل. يمكن تغطية وحدات زنبرك مقعد الدراجة بواق مناسب للزنبرك.
تأكد من عدم وجود أجسام حادة في متناول يد الطفل، على سبيل المثال، الكبلات المهترئة.
دائماً ما يحتاج الطفل في مقعده بالدراجة إلى ملابس أكثر دفئاً من السائق. لحمايتكما معاً من المطر غير المتوقع، يُستحسن ارتداء ملابس مضادة للماء. لا تركيب الدراجة أبداً في الظروف الجوية القاسية أو الخطرة، مثل الطقس البارد الذي قد يجعل الطفل يعاني البرد الشديد.
تحقق من درجة حرارة المقعد قبل إجلال الطفل عليه، خصوصاً في الأيام الحارة والمشمسة.

أزل مقعد الطفل عند نقل الدراجة في السيارة. فاضطراب الهواء قد يلحق ضرراً بالمقعد أو يتسبب في ضعف تثبيتته، وهو ما قد يؤدي إلى وقوع حادث.
قبل الاستخدام، تحقق مما إذا كانت هناك أية قوانين أو لوائح وطنية تنظم مسألة حمل الطفل في مقعده بالدراجة تحديداً.

الصيانة

لتنظيف مقعد الطفل، لا تستخدم سوى الصابون والماء الفاتر. لتنظيف الحشوة، راجع تعليمات الغسيل المتعلقة بالحشوة.
في حالة إلحاق أي ضرر أو كسر بأي جزء من مقعد الطفل، يرجى الاتصال بأقرب وكيل من وكلاء Thule إليك.

التحذيرات

لا تترفق أي أمثلة أو معدات إضافية بمقعد الطفل. ويُفضل إلحاق أي حمولة إضافية بالطرف الأمامي للدراجة.
لا تدخل أي تعديل على المنتج بأي شكل من الأشكال. قد يختلف أداء الدراجة أثناء ركوب طفل على المقعد، خاصة فيما يتعلق بالتوازن والتوجيه واستخدام الفرامل. يُحظر تماماً ركن الدراجة دون رقيب أثناء جلوس الطفل على المقعد.
يُحظر تماماً ترك الطفل على المقعد أثناء ركن الدراجة وسندها بالقضيب المعدني الداعم فحسب.
لا تستخدم المقعد في حالة وجود كسر في أي جزء منه. يمكن لعدم الالتزام بتعليمات الأمان أن يؤدي إلى تعرض الطفل أو سائق الدراجة لإصابات خطيرة أو الوفاة.

BG ВНИМАНИЕ!

МОНТИРАНЕ

Запазете това ръководство на сигурно място, след като сте монтирали седалката за велосипед. То може да потърбява както на вас, така и на други потребители, за бъдещи справки.

Проверете дали вашият велосипед е съвместим с детската седалка. При възникнали въпроси вижте информацията, предоставена с велосипеда, или се обърнете към търговеца или производителя на велосипеда.

За монтаж само на рамка. Този продукт е подходящ за рамки с кръгло сечение с диаметър 27,2–40 мм (1,07–1,57 инча) и с

елиптично сечение макс. 40x55 мм (1,57x2,16 инча).

Не може да се монтира на велосипеди с рамки с квадратно и триъгълно сечение или с рамки от въглеродни нишки. Максималната ширина на багажника е 155 мм (6,10 инча).

Открийте маркировката за центъра на тежестта и монтирайте седалката възможно най-напред. За предпочитане е тази маркировка да бъде пред оста на задното колело, но в никакъв случай на повече от 100 мм (3,94 инча) зад точката, чиято вертикална проекция съвпада с оста на задното колело.

Уверете се, че винговете на скобата са стегнати добре, и ги проверявайте редовно.

Thule RideAlong - Caution - Achtung

Това изделие не е подходящо за монтиране на мотопед.

За оптималния комфорт и безопасността на децата се уверете, че седалката не е наклонена напред, тъй като това може да доведе до плъзване на децата извън седалката. За предпочитане е облегалката да е наклонена леко назад.

Проверете дали всички части на велосипеда функционират правилно с монтираната седалка.

ЕКСПЛОАТАЦИЯ

Това изделие е одобрено за деца на възраст от 9 месеца до 6 години с тегло 9–22 кг (20–48,5 фунта). Не вземте твърде малки деца и винаги се консултирайте с педиатър, преди да вземете дете на възраст под 1 година. Вземте само деца, които са в състояние да седят без странична помощ за по-дълъг период от време, поне равен на продължителността на предвиденото пътуване с велосипед. Независимо от възрастта детето трябва да може да държи главата си изправена, когато носи каска за велосипед с подходящия размер. Редовно проверявайте дали детето не надвишава максималното тегло.

Преди използване проверявайте всички винтове, за да се уверите, че детската седалка е здраво закрепена към велосипеда.

По време на карането на велосипеда вие и вашето дете трябва да носите одобрени каски за велосипед. Никога не карайте велосипед нощем без подходящо осветление. Не закривайте задните светлоотразители или задните светлини, когато използвате детската седалка на велосипеда.

Наличието на детска седалка за велосипед може да доведе до промяна на начина, по който се качват и слизат от велосипеда. Обърнете допълнително внимание на това.

Преди всяко каране на велосипеда се уверете, че монтираната седалка за велосипед не пречи на спирачките, въртенето на педалите или управлението.

Винаги използвайте коланите и проверявайте дали сте ги поставили правилно на детето. Уверете се, че коланите и предпазители за краката не са отпуснати и че няма опасност от захващане от подвижните части, като например от колелата. Това важи също и когато ще използвате велосипеда без дете

в седалката.

Уверете се, че дрехите, обувките, играчките или части от тялото на детето не влизат в контакт с движещите се части на велосипеда, като например колела, кабели и пружини на седалката. Проверявайте това редовно поради порастването на детето. Пружините на седалката на велосипеда може да се покрийт с подходящ предпазител за пружини.

Уверете се, че няма остри предмети в обсега на детето, напр. оголени кабели.

Често детето, настанено в седалката, се нуждае от по-топли дрехи от тези на велосипедиста. За да се предпазите и двамата от внезапен дъжд, добре е да носите непромокаемо облекло. Никога не управлявайте велосипеда в бурно време или опасни условия, като например студено време, което може да причини измръзване на детето.

Преди да поставите детето в седалката, проверете температурата ѝ, особено в горещи и слънчеви дни.

При превоз на велосипеда с лек автомобил свалете седалката. Въздушната турбулентност може да повреди седалката или да разхлаби съединенията ѝ, което може да доведе до злополука.

Преди да използвате седалката, проверете дали няма някакви национални закони и разпоредби, касаещи точно возенето на дете в детска седалка за велосипед.

ПОДДРЪЖКА

За почистване на детската седалка използвайте само хладък сапунен разтвор. За почистване на тапицерията вж. указанията за пране, дадени на тапицерията.

Ако някоя част на детската седалка е повредена или счупена, се свържете с най-близкия до вас търговски представител на Thule.

ПРЕДУПРЕЖДЕНИЯ

Не прикрепявайте допълнителен багаж или оборудване към детската седалка. Най-добре е всеки допълнителен товар да се прикрепя в предната част на велосипеда.

По никакъв начин не видоизменяйте продукта.

Велосипедът може да има различно поведение, когато в седалката има дете, особено що се отнася до равновесието, управлението и спирането.

Никога не оставайте паркирания велосипед без надзор, когато в седалката има дете.

Никога не оставайте детето в седалката, когато велосипедът е паркиран и се поддържа само на степенката.

Не използвайте седалката, ако някоя нейна част е счупена. Неспазването на инструкциите за безопасност може да доведе до сериозни наранявания или смърт на детето или на велосипедиста.

CS POZOR!

MONTÁŽ

Až cyklosedačku namontujete, tento návod uložte na bezpečném místě, abyste jej vy i ostatní v případě potřeby kdykoli snadno našli.

Ověřte si, zda je tato sedačka pro vaše kolo skutečně vhodná. Pokud si nejste jisti, nahlédněte do brožury s informacemi o kole nebo kontaktujte prodejce či výrobce kol.

Sedačku montujte výhradně na rám kola. Tento výrobek je určen pro rámy s kulatým profilem o průměru 27,2–40 mm a rámy s oválným profilem o rozměrech maximálně 40 x 55 mm.

Sedačku nelze namontovat na kola s rámem se čtvercovým a trojúhelníkovým profilem ani s rámem z karbonu. Aby bylo sedačku možné namontovat, zadní nosič nesmí být širší než 155 mm.

Podívejte se, kde je značka těžiště, a namontujte sedačku co nejvíce dopředu. Značka těžiště by ideálně měla být před osou zadního kola, v žádném případě však nesmí být více než 100 mm za úrovní osy zadního kola.

Šrouby držáku pečlivě dotáhněte a pravidelně kontrolujte, zda se neuvolnily. Tento výrobek není vhodný k montáži na moped.

Aby bylo vaše dítě v maximálním bezpečí a cítilo se pohodlně, sedačka nesmí být nakloněna dopředu. Při takovém nastavení by z ní totiž mohlo vaše dítě vyklouznout. V ideálním případě by sedadlo mělo být lehce zakloněné.

Až sedačku namontujete, zkontrolujte, zda všechny součásti kola stále fungují tak, jak mají.

POUŽITÍ

Tato sedačka je schválena pro převážení dětí ve věku od 9 měsíců do 6 let, které váží 9–22 kg. Nevozte v ní příliš malé děti, a chcete-li v ní vozit děti mladší 1 roku, nejprve se poradte s pediatrem. Používejte pouze pro děti, které dokážou sedět delší

dobu bez opory – alespoň po celou dobu plánované cesty. Bez ohledu na věk platí, že dítě převážené v sedačce musí být bez problémů schopné udržet ve vzpřímené poloze hlavu s cyklistickou přílbou správné velikosti. Pravidelně kontrolujte, zda dítě nepřesáhlo hmotnostní limit.

Před každou jízdou zkontrolujte dotažení všech šroubů, abyste měli jistotu, že je dětská sedačka na kole bezpečně upevněna.

Při jízdě mějte vy i dítě nasazenou cyklistickou přílbou odpovídající bezpečnostním normám. Večer a v noci nikdy nevyjíždějte na kole bez vhodného osvětlení. Dbejte na to, aby dětská sedačka nezakrývala zadní odrazky či zadní světlo.

Po namontování dětské sedačky může být nutné změnit navyklý způsob nasedání na kolo a sesedání z kola. Mějte to prosím na paměti.

Před každou jízdou zkontrolujte, zda namontovaná cyklosedačka neomezuje funkci brzd ani pohyb pedálů a možnosti řízení kola.

Při jízdě vždy používejte postroj. Dbejte na to, abyste jím dítě připoutali správně. Postroj ani nožní pásky nikdy nesmí volně viset, protože by se mohly zamotat do pohyblivých součástí, například do výpletu kola. Toto pravidlo platí i v případě, že v sedačce zrovna dítě nevezete.

Dbejte na to, aby se oblečení, boty, hračky ani končetiny dítěte nemohly dostat do styku s pohyblivými částmi kola, například s lanky, koly či sedlovými pružinami. Protože dítě roste, je třeba pravidelně kontrolovat, zda je vše v pořádku. Sedlové pružiny je možné zakrýt vhodným krytem.

Pravidelně kontrolujte, jestli v dosahu dítěte nejsou žádné ostré předměty, například roztřepená lanka.

Dítě v sedačce v mnoha případech potřebuje teplejší oblečení než cyklista. Aby vás nezaskočila nenadálá přeháňka,

Thule RideAlong - Caution - Achtung

je vhodné s sebou pro sebe i pro dítě vozit nepromokavé oblečení. Nikdy nevyjíždějte ve zrádném či nepříznivém počasí, například jestliže je chladno a hrozí, že by dítě mohlo omrznout.

Než dítě usadíte do sedačky, zkontrolujte, zda není příliš teplá. Důležité to je především v horkých, slunečných dnech.

Chcete-li kolo převážet na autě, cyklosedačku z něj odmontujte.

Vlivem vzduchových turbulencí by se mohla poškodit nebo uvolnit a mohlo by dojít k nehodě.

Než sedačku začnete používat, seznámete se s předpisy a zákony, které ve vaší zemi platí pro převážení dětí v dětských cyklosedačkách.

ÚDRŽBA

Sedačku čistěte pouze vlažným mýdlovým roztokem. Měkkou vložku můžete prát podle pokynů, které jsou na ní uvedeny.

Pokud se jakoákoli část dětské sedačky rozbije či poškodí, vyhledejte nejbližšího prodejce výrobků Thule.

VAROVÁNÍ

Nikdy na sedačku neupevňujte žádná zavazadla ani žádné vybavení. Případný náklad je nevhodnější připevnit na přední část kola. Výrobek nijak neupravujte.

Vezete-li na kole dítě v sedačce, může se kolo chovat jinak, než jste zvyklí. Jde zejména o udržování rovnováhy, řízení a brzdění.

Pokud od kola odcházíte, nikdy v sedačce dítě nenechávejte.

Dítě v sedačce nenechávejte ani tehdy, chcete-li kolo odstavit pouze na stojánek.

Je-li sedačka jakkoli poškozená, nepoužívejte ji.

V případě nedodržení bezpečnostních pokynů hrozí vážné zranění nebo i smrt dítěte či cyklisty.

DK BEMÆRK!

MONTERING

Sørg for at opbevare denne manual sikkert, efter du har monteret barnesædet. Du eller andre brugere kan få brug for den ved senere lejligheder.

Det er vigtigt, at du sikrer dig, at din cykel er kompatibel med dette barnesæde. Hvis du har nogen spørgsmål, så se venligst den information, der fulgte med cyklen, eller spørg cykelhandleren eller producenten til råds.

Må kun monteres på stellet. Dette produkt passer omkring stel med en diameter på 27,2-40 mm (1,07-1,57") og ovale stel på maks. 40 x 55 mm (1,57 x 2,16").

Kan ikke monteres på cykler med firkantede stel, trekantede stel eller kulfiberstel. Maksimalbredde for bagagebæreren er 155 mm (6,10").

Gå ud fra tyngdepunktsmærkeringen, og monter sædet så langt fremme som muligt. Mærket skal helst sidde foran baghjulets aksel, men under ingen omstændigheder mere end 100 mm (3,94") bag punktet lige over baghjulets aksel.

Sørg for, at beslagskruerne er strammet helt til, og tjek dem regelmæssigt. Dette produkt er ikke egnet til brug på en knallert.

For at sikre optimal komfort og

sikkerhed for barnet bør du sikre, at sædet ikke skræner fremad, så barnet kan glide ud af det. Ryglænet skal helst skræne let bagud.

Tjek, at alle cyklens dele fungerer korrekt med sædet monteret.

ANVENDELSE

Dette produkt er godkendt til børn fra 9 måneder og op til 6 år, med en vægt på 9-22 kg (20-48,5 lbs). Brug ikke sædet til yngre børn, og spørg din læge, inden du anvender sædet til børn under 1 år. Kør kun med børn, der kan sidde alene i længere tid ad gangen eller i hvert fald så længe cykelturen varer. Uanset barnets alder skal barnet selv kunne holde sit hoved oppe med en korrekt tilpasset cykelhjem på hovedet. Tjek regelmæssigt, at barnet ikke overskrider maksimalvægten.

Hver gang sædet skal anvendes, skal du tjekke alle skruer for at kontrollere, at barnesædet er fastgjort korrekt på cyklen.

Sørg for, at både du og barnet bærer en godkendt cykelhjem under kørslen. Kør aldrig på cykel efter mørkets frembrud uden godkendte lygter. Sørg for, at de bagerste reflekser eller baglygterne ikke er tildækket, når du anvender et barnesæde på cyklen.

Tilstedeværelsen af et barnesæde kan kræve, at du ændrer den

μάδε, du stiger af og på cyklen. Vær venligst opmærksom på dette.

Inden du kører af sted, skal du hver gang sikre, at barnesædet ikke kommer i vejen for bremsler, pedaler eller styr.

Brug altid selen, og sørg for, at den er korrekt fastgjort omkring barnet. Sørg for, at selen og fodremmene ikke er løse eller kan komme i klemme i bevægelige dele såsom hjulene. Dette gælder også, når du anvender cyklen uden et barn i sædet.

Sørg for, at barnets tøj, sko, legetøj eller kropsdeler ikke kommer i kontakt med nogen af cyklens bevægelige dele, såsom hjul, kabler og saddelfjedrer. Tjek dette regelmæssigt, efterhånden som barnet vokser. Saddelfjedrer kan eventuelt dækkes med en passende fjederbeskyttelse.

Sørg for, at der ikke er nogen skarpe genstande inden for barnets rækkevidde, som f.eks. flosse eller kabler.

Barnet i barnesædet har ofte brug for at være varmere klædt på end cyklens fører. For at beskytte jer begge mod uventet regn er vandtæt beklædning en god ide. Kør aldrig under barske eller farlige forhold, såsom kraftigt frost, der vil kunne forårsage, at barnet får forfrysninger.

Tjek sædets temperatur, inden du sætter barnet i det, særligt på varme, solrige dage.

Fjern barnesædet, når du transporterer cyklen på en bil. Vinden

kan forårsage skader på sædet eller rive det løs fra cyklen, hvilket kan resultere i en ulykke.

Tjek inden anvendelse, om der er nogen nationale love eller regler, der gælder specielt for transport af børn på cykelsæder.

VEDLIGEHOLDELSE

Sædet rengøres med lunkent sæbevand. Se vaskeanvisningen på siddepuden vedr. rengøring af denne.

Kontakt venligst din nærmeste Thule-forhandler, hvis nogen del af barnesædet er beskadiget eller ødelagt.

ADVARSLER

Monter ikke ekstra bagage eller udstyr på barnesædet. Eventuel ekstra bagage eller udstyr anbringes bedst foran på cyklen.

Produktet må ikke ændres eller tilpasses på nogen måde.

Cyklen kan opføre sig anderledes med et barn i sædet, især hvad angår balance samt styre- og bremsefunktion.

Efterlad aldrig cyklen parkeret uden opsyn med et barn i sædet.

Efterlad aldrig barnet i sædet, når cyklen er parkeret og kun støttet af en støttestod.

Brug ikke sædet, hvis en del af det er i stykker.

Manglende overholdelse af sikkerhedsanvisningerne kan føre til alvorlige skader eller død for barnet eller cyklens fører.

EL ΣΗΜΕΙΩΣΗ!

ΕΓΚΑΤΑΣΤΑΣΗ

Αφού τοποθετήσετε το κάθισμα στο ποδήλατο, βεβαιωθείτε ότι έχετε αποθηκεύσει το παρόν εγχειρίδιο σε ασφαλές μέρος καθώς εσείς ή άλλοι χρήστες ενδέχεται να το χρειαστείτε για μελλοντική αναφορά.

Βεβαιωθείτε ότι το ποδήλατο σας είναι συμβατό με το παρόν παιδικό κάθισμα. Αν έχετε οποιοσδήποτε απορίες, ελέγξτε τις πληροφορίες που παρέχονται με το ποδήλατο ή απευθυνθείτε στον πωλητή ή τον κατασκευαστή του ποδηλάτου.

Τοποθετήστε το μόνο στο σκελετό. Αυτό το προϊόν τοποθετείται γύρω από σκελετούς με διάμετρο 27,2-40 mm (1,07-1,57") και σκελετούς ελλειπτικού σχήματος μεγέθους 40x55 mm (1,57x2,16").

Δεν μπορεί να τοποθετηθεί σε ποδήλατα με τετράγωνο, τριγωνικό σκελετό ή σκελετό από ανθρακοϊνες. Το μέγιστο πλάτος της σχάρας του ποδηλάτου είναι 155 mm (6,10").

Εντοπίστε το κέντρο της ένδειξης βαρύτητας και τοποθετήστε το κάθισμα όσο το δυνατόν πιο μπροστά. Συνιστάται η ένδειξη να βρίσκεται μπροστά από τον άξονα της πίσω ρόδας. Ωστόσο, σε καμία περίπτωση η απόσταση μεταξύ του πίσω άξονα και της ένδειξης δεν πρέπει να υπερβαίνει τα 100 mm (3,94"). Βεβαιωθείτε ότι οι βίδες του βραχίονα είναι σφικμένες καλά και να τις ελέγχετε τακτικά. Αυτό το προϊόν δεν είναι κατάλληλο για χρήση σε μοτοποδήλατο.

Για μεγαλύτερη άνεση και ασφάλεια του παιδιού, βεβαιωθείτε ότι το κάθισμα δεν έχει κλίση προς

Thule RideAlong - Caution - Achtung

τα εμπρός, καθώς, το παιδί μπορεί να γλιστρήσει. Συνιστάται, η πλάτη του καθίσματος να έχει ελαφρά κλίση προς τα πίσω.

Βεβαιωθείτε ότι όλα τα μέρη του ποδηλάτου λειτουργούν κανονικά όταν το κάθισμα είναι τοποθετημένο.

ΧΡΗΣΗ

Το παρόν προϊόν έχει εγκριθεί για χρήση από παιδιά ηλικίας από 9 μηνών έως 6 ετών, με βάρος 9-22 κιλά (20-48,5 lbs). Μη μεταφέρετε πολύ μικρά παιδιά και συμβουλευέστε πάντα έναν παιδίατρο πριν από τη μεταφορά ενός παιδιού μικρότερο του 1 έτους. Να μεταφέρετε μόνο παιδιά που μπορούν να καθίσουν χωρίς βοήθεια για μεγάλο χρονικό διάστημα, τουλάχιστον για όσο είναι να διαρκέσει η βόλτα με το ποδήλατο. Ανεξάρτητα από την ηλικία, το παιδί πρέπει να είναι σε θέση να κρατά το κεφάλι του επάνω ενώ φοράει το κατάλληλο σε μέγεθος κράνος ποδηλάτου. Να ελέγχετε τακτικά ότι το παιδί δεν υπερβαίνει το μέγιστο επιτρεπτό βάρος.

Πριν από κάθε χρήση ελέγξτε όλες τις βίδες για να βεβαιωθείτε ότι το παιδικό κάθισμα είναι σταθερά στερεωμένο στο ποδήλατο. Ενώ κάνετε ποδήλατο, τόσο εσείς όσο και το παιδί σας, πρέπει να φοράτε εγκεκριμένα κράνη ποδηλάτου. Ποτέ μη χρησιμοποιείτε βράδυ το ποδήλατο χωρίς επαρκή φωτισμό. Μην καλύπτετε τους πίσω ανακλαστήρες ή τα πίσω φώτα όταν τοποθετείτε το παιδικό κάθισμα στο ποδήλατο.

Λόγω του καθίσματος ενδέχεται να πρέπει να αλλάξετε τον τρόπο με τον οποίο ανεβαίνετε ή κατεβαίνετε από το ποδήλατο. Παρακαλούμε να δίνετε ιδιαίτερη προσοχή σε αυτό.

Πριν από κάθε διαδρομή, να ελέγχετε ότι το παιδικό κάθισμα δεν εμποδίζει το σύστημα διεύθυνσης και πέδησης.

Να χρησιμοποιείτε και να ασφαρίζετε πάντα τη ζώνη. Να ελέγχετε ότι η ζώνη και τα λουράκια ποδιού δεν είναι χαλαρά και δεν θα μπλεχτούν στα κινούμενα εξαρτήματα, π.χ. ρόδα. Το ίδιο ισχύει και όταν χρησιμοποιείτε το ποδήλατο με το κάθισμα άδειο.

Βεβαιωθείτε ότι τα ρούχα, τα παπούτσια, τα παιχνίδια ή μέρη του σώματος του παιδιού δεν έρχονται σε επαφή με τα κινούμενα μέρη του ποδηλάτου, π.χ. ρόδα, καλώδια ή ελατήρια σέλας. Να ελέγχετε τακτικά καθώς το παιδί μεγαλώνει. Τα ελατήρια της σέλας μπορούν να καλυφθούν με κατάλληλο

προστατευτικό ελατηρίων.

Βεβαιωθείτε ότι δεν υπάρχουν αιχμηρά αντικείμενα προσβάσιμα από το παιδί, π.χ. ξεφτισμένα καλώδια.

Το παιδί συνήθως χρειάζεται πιο ζεστά ρούχα από τον ποδηλάτη. Για να προστατευθείτε από τυχόν αναπάντεχη βροχή, είναι συνετό να φοράτε αδιάβροχα ρούχα. Μην οδηγείτε ποτέ σε αντίξοες και επικίνδυνες συνθήκες, καθώς π.χ. το κρύο μπορεί να προκαλέσει κρουπαγήματα στο παιδί.

Να ελέγχετε τη θερμοκρασία του καθίσματος πριν τοποθετήσετε το παιδί, ιδίως τις ζεστές και ηλιόλουστες ημέρες.

Να αφαιρείτε το κάθισμα όταν μεταφέρετε το ποδήλατο με αυτοκίνητο. Ο δυνατός αέρας μπορεί να προκαλέσει ζημιά στο κάθισμα ή να χαλαρώσει τη στερέωση της και να προκληθεί ατύχημα.

Πριν από τη χρήση, να ελέγχετε εάν υπάρχουν εθνικές νομοθεσίες και κανονισμοί σχετικά με τη μεταφορά παιδιών σε παιδικά καθίσματα.

ΣΥΝΤΗΡΗΣΗ

Να καθαρίζετε το παιδικό κάθισμα χρησιμοποιώντας μόνο χλιαρό νερό και σαπούνι. Για να καθαρίσετε το μαξιλαράκι, ανατρέξτε στις οδηγίες πλυσίματος στο μαξιλαράκι.

Εάν οποιοδήποτε μέρος του παιδικού καθίσματος φθαρεί ή σπάσει, επικοινωνήστε με τον πλησιέστερο αντιπρόσωπο της Thule.

ΠΡΟΕΙΔΟΠΟΙΗΣΕΙΣ

Μην τοποθετείτε αποσκευές ή εξοπλισμό στο παιδικό κάθισμα. Κάθε επιπλέον φορτίο καλύτερα να τοποθετείται στο μπροστινό μέρος του ποδηλάτου.

Μην τροποποιείτε το προϊόν με οποιοδήποτε τρόπο.

Το ποδήλατο ενδέχεται να συμπεριφέρεται διαφορετικά με ένα παιδί στο κάθισμα, ιδίως όσον αφορά την ισορροπία, το σύστημα διεύθυνσης και πέδησης.

Μην αφήνετε ποτέ το ποδήλατο χωρίς επίτηρηση με παιδί στο κάθισμα.

Μην αφήνετε ποτέ το παιδί στο κάθισμα όταν το ποδήλατο είναι σταθμευμένο και στηρίζεται μόνο σε μια βάση στήριξης.

Μην χρησιμοποιείτε το κάθισμα εάν είναι σπασμένο οποιοδήποτε μέρος του.

Η μη τήρηση των οδηγιών ασφαλείας μπορεί να οδηγήσει σε σοβαρό τραυματισμό ή θάνατο του παιδιού ή του ποδηλάτη.

ET TÄHELEPANU!

PAIGALDUS

Kui olete lasteistme jalgrattale paigaldanud, hoidke see juhend turvalises kohas alles. Teil või teistel kasutajatel võib seda edaspidi vaja minna.

Veenduge, et teie jalgratas sobib selle lasteistmeme kasutamiseks. Kui teil on küsimusi, lugege jalgrattaga kaasas olnud teavet või pöörduge jalgratta edasimüüja või tootja poole.

Paigaldatav ainult raamile.

See toode sobib ümara toruga raamidele, mille diameeter on 27,2–40 mm (1,07–1,57") ja ovaalse toruga raamidele, mille mõõtmed on kuni 40 × 55 mm (1,57 × 2,16").

Ei saa paigaldada nelikant- või kolmnakanttoruga raamidele ega süsinikraamidele. Pakiraami maksimumlaius on 155 mm (6,10").

Otsige üles raskuskeskme tähis ja paigaldage iste nii kaugele ette, kui see on võimalik. See tähis peaks jääma tagaratta telje ette, kuid mitte mingil juhul tagaratta vertikaalteljest kaugemale kui 100 mm (3,94").

Veenduge, et klambri kruvid on täielikult kinnitatud ja kontrollige neid regulaarselt. See toode ei sobi kasutamiseks mopeedidel.

Lapse optimaalse mugavuse ja turvalisuse tagamiseks veenduge, et iste poleks ettepoole kaldu, nii et laps võiks sellest välja libiseda. Seljatugi peaks olema veidi tahapoole kaldu.

Kontrollige, et kõik jalgratta funktsioonid töötavad õigesti, kui iste on paigaldatud.

KASUTAMINE

See toode on heaks kiidetud 9 kuu kuni 6 aasta vanuste 9–22 kg (20–48.5 lbs) laste sõidutamiseks. Ärge sõidutage sellega liiga väikest last ja enne, kui transpordite alla 1-aastast last, konsulteerige alati lastearstiga. Sõidutage ainult lapsi, kes suudavad pikema aja jooksul (vähemalt plaanitud jalgrattamatka aja) istuda teiste abita. Vanusest sõltumata peab laps saama õige suurusega jalgrattakiivrit kandes hoida pead püsti. Kontrollige regulaarselt, et lapse kaal ei ületaks suurimat lubatud kaalu.

Enne iga kasutamist vaadake üle kõik kruvid, et kontrollida, kas lasteiste on ratta külge turvaliselt kinnitatud.

Sõidu ajal peate nii teie kui ka

teie laps kandma nõuetele vastavat jalgrattakiivrit. Ärge kunagi sõitke öösel jalgrattaga, kui pole piisavalt valgust. Kui kasutate jalgrattal lasteistet, ärge katke tagumisi helkureid kinni.

Kui jalgrattale on paigaldatud lasteiste, peate võib-olla muutma jalgrattale istumise ja jalgrattal maha tulemise viisi. Pöörake sellele erilist tähelepanu.

Enne iga sõitu veenduge, et paigaldatud jalgrattaiste ei häiri pidurdamist, pedaalimist ega juhtimist.

Kasutage alati turvarihmu ja veenduge, et kinnitate need lapse ümber õigesti. Veenduge, et turvarihmad ja jalarihmad pole liiga lõdvalt kinnitatud ega jääks liikuvate osade (nt rataste) vahele kinni. See kehtib ka siis, kui kasutate jalgratast ilma lapseta.

Veenduge, et lapse riided, jalanõud, mänguasjad ega kehaosad ei puutuks kokku jalgratta liikuvate osadega (nt rataste, rehvide või sadulavedrudega). Kontrollige seda lapse kasvamise ajal regulaarselt. Sadulavedrud saab katta sobiva vedrukaitsega.

Veenduge, et lapse käeulatuses poleks teravaid objekte (nt kulunud trosse).

Lasteistmel istuvale lapsele tuleb sageli panna selga soojemad riided kui juhile. Ootamatu vihma kaitseks tasuks kanda veekindlaid riideid. Ärge kunagi sõitke karmides või ohtlikes oludes, näiteks külma ilmaga, kui laps võib saada külmakahjustusi.

Enne kui asetate lapse istuma, kontrollige istme temperatuuri (eriti kuumal ja päikselisel päeval).

Kui soovite jalgratast transportida autoga, eemaldage lasteiste. Õhuturbulents võib istet kahjustada või selle kinnitust liigendada ja põhjustada õnnetuse.

Kontrollige enne kasutamist, kas lapse sõidutamist jalgratta lasteistmel reguleerivad mingid kohalikud seadused või eeskirjad.

HOOLDAMINE

Kasutage lasteistme puhastamiseks ainult leiget seebivett. Polstri puhastamiseks lugege polstri olevaid pesemisjuhiseid.

Kui lasteistme mõni osa saab kahjustada või läheb katki, pöörduge lähima Thule edasimüüja poole.

Thule RideAlong - Caution - Achtung

HOIATUS

Ärge kinnitage lasteistemele lisakoormat või -varustust. Kogu lisakoorem tuleks kinnitada jalgratta esiosale.

Ärge muutke toodet mingil viisil.

Kui laps istub lasteistmel, võib jalgratas tavalisest teistmoodi käituda, eriti mis puudutab tasakaalu, juhtimist ja pidurdamist.

Ärge kunagi jätke jalgratast

järelevalveta, kui pargite jalgratta ja laps istub istmel.

Ärge kunagi jätke last istemele istuma, kui jalgratas on pargitud ja toetub ainult tugijalale.

Ärge kasutage lasteistet, kui mõni selle osa on katki.

Turvanõuete rikkumine võib põhjustada lapsele või juhile tõsiseid vigastusi või lõppeda surmaga.

FI UOMAUTUS!

ASENNUS

Pidä tämä opas tallessa lastenistuimen asentamisen jälkeen. Oppaasta voi olla apua myöhemmin sinulle tai muille käyttäjille.

Varmista, että polkupyöräsi on yhteensopiva tämän lastenistuimen kanssa. Jos sinulla on kysyttävää, tarkista polkupyörän mukana toimitetut tiedot tai ota yhteyttä polkupyörän myyjään tai valmistajaan.

Saa kiinnittää vain runkoon. Tämä tuote voidaan kiinnittää pyöreisiin runkoputkiin, joiden halkaisija on 27,2–40 mm tai enintään 40 x 55 mm:n suorakulmaisiin runkoputkiin.

Istuinta ei voi asentaa polkupyöriin, joiden runkoputket ovat nelikulmaiset tai kolmionmuotoiset tai joissa on hiilikuiturunko. Tavaratelineen enimmäisleveys on 155 mm.

Painopisteen keskikohta on merkitty istuimeen. Asenna istuin niin eteen kuin se on mahdollista. Painopisteen keskikohtamerkin tulisi olla takapyörän akselin etupuolella, ja se ei saa missään tapauksessa olla yli 100 mm takapyörän akselia taaempana.

Varmista, että kiinnikkeen ruuvit on kiristetty kunnolla, ja tarkista ne säännöllisesti. Tämä tuote ei sovelu käytettäväksi mopedissa.

Jotta lapsen asento olisi optimaalinen ja mukava, varmista, ettei istuin vietä eteenpäin. Muutoin lapsi liikuu istuimelta. Ihanteellisinta on, jos selkänöja viettää hieman taaksepäin.

Tarkista, että kaikki polkupyörän osat toimivat oikein istuimen ollessa kiinnitettynä.

KÄYTTÖ

Tämä tuote on hyväksytty 9 kk – 6 vuotta vanhoille, 9–22 kg:n painoisille lapsille. Älä kuljeta istuimessa

liian nuoria lapsia, ja kysy aina neuvoa lastenlääkäriltä ennen alle vuoden vanhan lapsen kuljettamista istuimessa. Kuljeta vain lapsia, jotka pystyvät istumaan omin avuin pidempiä aikoja – vähintään niin kauan kuin pyörämatkan on tarkoitus kestää. Lapsen on ikään katsomatta kyettävä pitämään päänsä pystyssä oikeankokoinen pyöräilykypärä päässään. Tarkista säännöllisesti, ettei lapsi ylitä sallitua enimmäispainoa.

Tarkista kaikki ruuvit ennen jokaista käyttökertaa, jotta lastenistuin on varmasti lujasti kiinni polkupyörässä.

Käytä aina ajaessasi hyväksytyä pyöräilykypärää ja pue aina kypärä myös lapselle. Älä aja polkupyörällä öisin ilman riittävää valaistusta. Älä peitä lastenistuimella polkupyörän takaheijastimia tai takavaloa.

Lastenistuin voi edellyttää, että muutat tapaa, jolla nouse polkupyörän päälle ja pois päältä. Kiinnitä erityistä huomioita tähän.

Varmista aina ennen liikkeelle lähtemistä, että lastenistuin ei haittaa jarruttamista, polkemista eikä ohjaamista.

Käytä valjaita aina ja varmista, että asetat ne oikein lapsen päälle. Varmista, etteivät valjaat ja jalkahihna ole löysällä ja etteivät ne voi joutua kosketuksiin liikkuvien osien, kuten renkaiden kanssa. Tämä koskee myös tilanteita, joissa ajat polkupyörällä ilman lasta istuimessa.

Varmista, etteivät lapsen vaatteet, kengät, lelut tai ruumiinosat pääse kosketuksiin polkupyörän liikkuvien osien (kuten renkaiden, kaapeleiden tai satulan jousien) kanssa. Tarkista tämä säännöllisesti lapsen kasvaessa. Satulan jouset voi peittää asianmukaisella jousisuojuksella.

Varmista, ettei lapsen lähellä ole teräviä esineitä, kuten hankautuneita kaapeleita.

Paikallaan istuvia lapsi on puettava lämpimämmin kuin pyöräilijä. Sateen varalta mukana kannattaa pitää sadetta pitäviä vaatteita. Älä koskaan aja epäsuotuisissa tai vaarallisissa olosuhteissa, kuten niin kylmässä, että lapsi voi altistua jääpoltteelle.

Tarkista istuimen lämpötila ennen lapsen asettamista siihen, erityisesti kuumalla ja aurinkoisella säällä.

Irrota lastenistuin, kun kuljetat polkupyörää autolla. Ilmavirta voi vahingoittaa istuinta tai heikentää sen kiinnitystä, mistä voi aiheutua vaaratilanteita.

Tarkista ennen käyttöä, onko lapsen kuljettamisesta polkupyörällä lastenistuimessa paikallisia säädöksiä tai määräyksiä.

YLLÄPITO

Käytä lastenistuimen puhdistamiseen vain haaleaa saippuavettä. Pehmusteen voi pestä siinä olevien pesuohjeiden mukaisesti.

Jos jokin lastenistuimen osa vaurioituu tai rikkoutuu, ota yhteyttä lähimpään Thule-jälleenmyyjään.

VAROITUKSET

Älä kiinnitä ylimääräisiä tavaroita tai varusteita lastenistuimeen. Lisäkuorma kannattaa sijoittaa polkupyörän etupuolelle.

Älä muokkaa tuotetta millään tavalla.

Polkupyörä saattaa toimia eri tavoin lastenistuimen ollessa asennettuna. Vaikutus voi näkyä erityisesti pyörän tasapainossa, ohjattavuudessa ja jarrutuksissa.

Älä koskaan jätä polkupyörää valvomatta lapsen ollessa istuimessa.

Älä koskaan jätä lasta istuimeen, kun polkupyörä on pysäköitynä pelkän jalkatuen varassa.

Älä käytä istuinta, jos jokin sen osa on rikkoutunut.

Turvaohjeiden noudattamatta jättäminen voi aiheuttaa vakavien vammojen tai kuolemanvaaran lapselle tai pyöräilijälle.

HE CAUTION

התקנה

הקפידו לשמור על מדריך זה במקום בטוח לאחר הרכבת המושב לאופניים. ייתכן שאתם או משתמשים אחרים תצטרכו לעיין בו בעתד. ודאו שהאופניים שלכם תואמים למושב הילד הזה. אם יש לכם שאלות, עיינו במידע המצורף לאופניים, או שאלו את מוכר האופניים או היצרן.

הרכיבו על השלדה בלבד. מוצר זה מתאים ל־לדות מעוגלות בקוטר 27,2-40 מ"מ ולשלדות אליפטיות בגודל 40-55 מ"מ לכל היותר.

לא ניתן להרכיב על אופניים בעלי שלדה מרוב־עת, משולשת או העשויה מסיבי פחמן (קרבון).

הרוחב המרבי של הסבל הוא 155 מ"מ.

זהו את סימן מרכז הכובד והרכיבו את המושב קדימה ככל האפשר. עדיף שסימן זה יהיה ממוקם לפני סרן הגלגל האחורי, אך בשום אופן לא יותר מ־100 מ"מ מאחורי הנקודה הממוקמת בדיוק מעל סרן הגלגל האחורי.

ודאו שהברנים של התופסן מהודקים לגמרי, ובדקו אותם באופן קבוע. מוצר זה אינו מתאים לשימוש בקטנועים.

לנוחות ובטיחות מירבית של הילד, ודאו שהמושב לא נוטה קדימה, מה שיאפשר לילד להחליק ממנו החוצה. עדיף שמשענת הגב תוטה מעט אחורה.

ודאו שכל חלקי האופניים מתפקדים כראוי כשהמושב מורכב עליהם.

שימוש

מוצר זה מאושר לילדים בני 9 חודשים עד 6 שנים, במשקל של 9-22 ק"ג. יש להרכיב רק ילדים שיכולים לשבת ללא עזרה למשך פרק זמן ארוך יותר, לפחות למשך זמן הרכיבה המתוכנן.

אל תרכיבו פעוטות בגיל קטן יותר ותמיד התייעצו עם רופא ילדים לפני הרכבת פעוט בן פחות משנה. ללא קשר לגיל, בעת חבישת קסדת אופניים בגודל המתאים הילד חייב להיות מסוגל להחזיק את הראש בכוחות עצמו. בדקו באופן קבוע שמשקל הילד אינו חורג מהמשקל המרבי.

לפני כל שימוש, בדקו את כל הברנים כדי לוודא שמושב הילד מחוזק היטב לאופניים.

במהלך הרכיבה, הקפידו לחבוש קסדת אופניים מאושרת לשימוש והקפידו לחבוש קסדה גם לילד. אף פעם לא תרכבו על אופניים בלילה ללא פנסים מתאימים. בעת השימוש במושב לילד על האופניים אל תכסו את מחזירי האור האחוריים או את הפנס האחורי.

הוספת מושב הילד לאופניים עשויה לדרוש מכם לשנות את האופן שבו אתם עולים על האופניים או יורדים מהם. שימו לב לכך.

לפני כל רכיבה, ודאו שמושב הילד המורכב על האופניים אינו מפריע לפעולת הבלימה, הדיווש או ההיגוי.

השתמשו תמיד ברמתה והקפידו להדק אותה כראוי מסביב לילד. ודאו שהרמתה ורצועות הרגליים אינן רפויות ושאינן עלולות להיתפס בחלקים נעים כגון הגלגלים. הנחיה זו תקפה גם בעת השימוש באופניים כשהילד לא יושב במושב.

ודאו שהברנים, הנעליים, הצעצועים או חלקי הגוף של הילד אינם באים במגע עם במגע עם החלקים הנעים של האופניים כגון הגלגלים, הכבלים וקפיצי המושב. בדקו זאת באופן קבוע ככל שהילד גדל ניתן לכסות את קפיצי המושב באמצעות מגן קפיצים מתאים.

ודאו שאין חפצים חדים בהישג ידיו של הילד, כגון כבלים שנשחקו. הילד היושב במושב זקוק לעתים קרובות

Thule RideAlong - Caution - Achtung

אם חלק כלשהו מהמושב לילד ניזוק או נשבר, פנו למשווק Thule הקרוב למקום מגוריכם.

אזהרות

אל תחברו למושב הילד מטען או ציוד נוסף. עדיף לשאת מטען נוסף בחלק הקדמי של האופניים.

אל תבצעו שינויים כלשהם במושב.

כאשר ילד יושב במושב תפקוד האופניים עשוי להשתנות, בעיקר מבחינת שיווי משקל, היגוי ובלימה.

אף פעם אל תשאירו את האופניים ללא השגחה כשהילד יושב במושב.

אף פעם אל תשאירו את הילד יושב במושב כשהאופניים עומדים ונשענים על הרגליית בלבד. אל תשתמשו במושב אם חלק ממנו שבר. אי ציות להוראות הבטיחות עלול להוביל לפציעה חמורה או למוות של הילד או של הרוכב.

לבגדים חמים יותר מהרוכב. כדי להגן על שניכם מפני גשם לא צפוי, כדאי לקחת בגדים אטומים למים. אל תרכבו אף פעם בתנאים קשים או מסוכנים, כגון מזג אוויר קר שעלול לגרום לילד כוויות קד.

בדקו את הטמפרטורה של המושב לפני הושבת הילד, בעיקר בימים חמים ושטופי שמש.

נתקו את המושב לילד בעת הרכבת האופניים על מכונית. מערבולות אוויר עלולות לגרום נזק למושב או לשחרר את המנגנון המחבר אותו, מה שעלול להוביל לתאונה.

לפני השימוש, בדקו אם קיימים חוקים או תקנות במדינה הקשורים להרכבת ילדים על מושב ילדים לאופניים.

תחזוקה

כדי לנקות את המושב לילד, השתמשו רק במים חמימים עם סבון. כדי לנקות את הריפוד, עיינו בהוראות הכביסה על גבי הריפוד.

HR/BIH OPREZI!

MONTAŽA

Držite ovaj priručnik na sigurnom mjestu nakon što montirate sjedalicu za bicikl. Možda će biti potreban vama ili drugim korisnicima za buduću upotrebu.

Provjerite je li bicikl kompatibilan s ovom dječjom sjedalicom. Ako imate ikakva pitanja, provjerite informacije isporučene s biciklom ili kontaktirajte prodavača ili proizvođača bicikla.

Montirajte samo na okvir. Ovaj proizvod odgovara okruglim okvirima promjera 27,2 - 40 mm (1,07 - 1,57") te ovalnim okvirima od maks. 40x55 mm (1,57x2,16").

Ne može se montirati na bicikle s kvadratnim, trokutastim ili karbonskim okvirima. Maksimalna širina nosača prtljage iznosi 155 mm (6,10").

Pronađite oznaku težišta te postavite sjedalicu prema naprijed koliko je to moguće. Poželjno je da ova oznaka bude ispred osovine stražnjeg kotača, ali ni u kojem slučaju više od 100 mm (3,94") iza točke koja je iznad osovine stražnjeg kotača.

Pobrinite se da vijci nosača budu dobro pritegnuti i redovito ih provjeravajte. Ovaj proizvod nije namijenjen upotrebi na mopedu.

Za optimalnu udobnost i sigurnost djeteta pripazite da sjedalice nije nagnuta prema naprijed kako dijete ne bi iskliznulo iz nje. Poželjno je da naslon bude nagnut malo unazad.

Provjerite funkcioniraju li svi

dijelovi bicikla ispravno s montiranom sjedalicom.

UPOTREBA

Ovaj proizvod odobren je za djecu od 9 mjeseci do 6 godina života, težine od 9 do 22 kg (20 - 48,5 lbs). Nemojte prevoziti dijete koje je premlado i uvijek se posavjetujte s pedijatrom prije prevoženja djeteta mlađeg od godinu dana. Vozite samo djecu koja mogu samostalno sjediti dulje vrijeme, najmanje onoliko koliko traje planirani biciklistički izlet. Bez obzira na godine života dijete mora biti u stanju držati svoju glavu uspravno te nositi biciklističku kacigu odgovarajuće veličine. Redovito provjeravajte da dijete ne prelazi maksimalnu težinu.

Prije svake upotrebe provjerite sve vijke kako biste se uvjerali da je dječja sjedalice dobro pričvršćena na bicikl.

Tijekom vožnje pobrinite se da i vi i dijete nosite odobrenu biciklističku kacigu. Nikada nemojte voziti bicikl noću bez odgovarajućih svjetala. Nemojte prekriti stražnje reflektore ili stražnje svjetlo kada upotrebljavate dječju sjedalicu na biciklu.

Prisutnost dječje sjedalice na biciklu može zahtijevati od vas da promijenite način na koji se penjete na bicikl i silazite s njega. Obratite posebnu pozornost na ovo.

Prije svake vožnje provjerite ometa li sjedalice montirana na biciklu kočenje, pedaliranje ili upravljanje.

Uvijek upotrebljavajte remenje i provjerite jeste li ga ispravno

učvrstili oko djeteta. Provjerite da remenje i trake za stopala nisu prelabave te da se ne mogu zaglaviti između pokretnih dijelova kao što su kotači. Ovo se odnosi i na situacije kada upotrebljavate bicikl bez djeteta u sjedalici.

Provjerite da djetetova odjeća, cipele, igračke ili dijelovi tijela ne dolaze u kontakt ni sa jednim pokretnim dijelom bicikla, kao što su kotači, žice i opruge sjedala. Ovo redovito provjeravajte kako dijete raste. Opruge sjedala mogu se prekriti odgovarajućim štitnikom za opruge.

Provjerite da nikakvi oštri predmeti nisu u doseg djeteta, npr. oštećeni kabeli.

Djetetu u sjedalici često je potrebna toplija odjeća nego biciklistu. Da biste se oboje zaštitili od neočekivane kiše, nosite vodootpornu odjeću. Nikada se nemojte voziti tijekom vremenskih nepogoda ili u opasnim uvjetima, kao što je hladnoća koja bi djetetu mogla uzrokovati ozebline.

Provjerite temperaturu sjedalice prije nego što u nju stavite dijete, posebno tijekom vrućih sunčanih dana.

Uklonite dječju sjedalicu kada prevozite bicikl na automobilu. Zračna turbulencija mogla bi oštetiti sjedalicu ili je olabaviti, što bi moglo dovesti do nesreće.

Prije upotrebe provjerite postoje li nacionalni zakoni i propisi koji se posebno odnose na prevoženje djeteta u dječjoj sjedalici za bicikl.

ODRŽAVANJE

Za čišćenje dječje sjedalice upotrebljavajte samo mlaku vodu sa sapunom. Za pranje obloge pogledajte upute za pranje na oblozi.

Ako je bilo koji dio dječje sjedalice oštećen ili potrgan, kontaktirajte najbližeg Thule prodavača.

UPOZORENJA

Ne pričvršćujte dodatnu prtljagu ili opremu na dječju sjedalicu.

Najbolje rješenje jest da se svaki dodatni teret pričvrsti na prednju stranu bicikla. Nemojte modificirati proizvod ni na koji način.

Bicikl se može drugačije ponašati ako je dijete u sjedalici, posebno u pogledu ravnoteže, upravljanja i kočenja.

Nikada nemojte ostaviti parkirani bicikl bez nadzora ako je dijete u sjedalici.

Nikada nemojte ostaviti dijete u sjedalici kada je bicikl parkiran i podupire ga jedino stalak za bicikle.

Ne upotrebljavajte sjedalicu ako je bilo koji njezin dio neispravan.

Nepriдрžavanje sigurnosnih uputa može dovesti do ozbiljnih ozljeda ili smrti djeteta ili biciklista.

HU FIGYELEM!

FELSZERELÉS

Őrizze meg ezt az útmutatót a kerékpárülés felszerelése után. A későbbiekben még szüksége lehet rá Önnek vagy más felhasználóknak.

Ügyeljen rá, hogy a kerékpár kompatibilis legyen ezzel a gyereküléssel. Ha kérdése van, ellenőrizze a kerékpárhoz mellékelt információkat, vagy érdeklődjön a kerékpár árusítójánál vagy gyártójánál.

Csak a nyeregvázcsőre rögzítse az ülést. A termék 27,2–40 mm átmérőjű kör keresztmetszetű, valamint max. 40 x 55 mm-es ellipszis keresztmetszetű vázakkal használható.

Az ülés nem szerelhető fel négyzet vagy háromszög keresztmetszetű, illetve szénszálas vázakra. A csomagtartó maximális szélessége 155 mm lehet.

Keresse meg a tömegközéppont-jelet (19), és rögzítse az ülést

annyyira elől, amennyire lehetséges. Ha lehet, a jelzés a hátsó kerék tengelyével szemben legyen, de semmiképpen se legyen 100 mm-nél hátrébb, mint a hátsó kerék feletti pont.

Ügyeljen rá, hogy a konzolcsavarok teljesen meg legyenek húzva, és rendszeresen ellenőrizze őket. A termék nem alkalmas mopeden való használatra.

A gyermek maximális kényelme és biztonsága érdekében ügyeljen rá, hogy az ülés ne lejtson előrefelé, nehogy a gyermek lecsússzon róla. Optimális esetben a háttámlának kissé hátrafelé kell dőlnie.

Ellenőrizze, hogy a kerékpár minden része megfelelően működik-e úgy, hogy fel van szerelve rá az ülés.

HASZNÁLAT

A termék 9–25 kg-os, 9 hónapos és 6 éves kor közötti gyermekek számára alkalmas. Ne szállítson

Thule RideAlong - Caution - Achtung

vele ennél fiatalabb gyermekeket, és 1 évesnél fiatalabb gyermek szállítása előtt kérje ki gyermekorvosa tanácsát. Csak olyan gyermekeket szállítson, akik már hosszabb ideig tudnak önállóan ülni, de minimum annyi ideig, ameddig a tervezett kerékpáros út tartani fog. A gyermeknek életkortól függetlenül képesnek kell lennie egyenesen tartania a fejét megfelelő méretű bukósisak viselése közben. Rendszeresen ellenőrizze, hogy a gyermek tömege nem lépte túl a maximálisan megengedettet. Minden egyes használat előtt ellenőrizze, hogy a csavarok megfelelően rögzítik-e a gyerekülést a kerékpárhoz.

Az utazás során ügyeljen rá, hogy Ön és gyermeke is viseljen engedélyezett kerékpáros bukósisakot. Soha ne kerékpározzon sötétben megfelelő világítás nélkül. Ne takarja le a hátsó fényviszaverőket, ha gyerekülést használ a kerékpáron.

A gyerekülés használata megkívánhatja, hogy másként szálljon fel a kerékpárra és szálljon le róla. Erre fordítson különös figyelmet.

Utazás előtt ellenőrizze, hogy a felszerelt gyerekülés nem zavarja-e a fékezést, a pedálozást vagy a kormányzást.

Mindig használja a biztonsági övet, és ellenőrizze, hogy megfelelően rögzíti-e a gyermeket. Ellenőrizze, hogy a biztonsági öv és a lábszíjak nem lazultak-e ki, vagy nem kaphatja-e be őket mozgó alkatrész, például kerék. Ez arra az esetre is vonatkozik, amikor nem ül gyermek az ülésben.

Ellenőrizze, hogy a gyermek ruhája, cipője, játéka és testrészei ne érintkezzenek a kerékpár semmilyen mozgó alkatrészével, például a kerekekkel, a kábelekkal vagy a nyereg rugóval. Ezt időről időre ellenőrizze újra, ahogy a gyermek növekszik. A nyereg rugók megfelelő rugóvédővel takarhatók le.

Ügyeljen rá, hogy a gyermek ne érhesse el éles tárgyat, pl. elhasználadott kábelt.

Az ülő gyermeknek melegebb ruhára van szüksége, mint a kerékpárosnak. A hirtelen elerelő eső ellen javasolt vízhatlan ruhát tartania magánál. Soha ne kerékpározzon viharban vagy veszélyes körülmények között, például olyan hidegben, amittől a gyermek fagyási sérülést szenvedhet.

A gyermek beleültetése előtt ellenőrizze az ülés hőmérsékletét, különösen napos, forró napokon.

Ha autón szállítja a kerékpárt, távolítsa el a gyerekülést. A légellenállás kárt tehet az ülésben, vagy kilazíthatja, ami balesetet okozhat.

Használat előtt ellenőrizze, hogy melyek a gyermekek kerékpár-gyerekülésben való szállítására vonatkozó szabályozások.

KARBANTARTÁS

A gyerekülés tisztításához kizárólag langyos szappanos vizet használjon. A párnázott huzat tisztításakor olvassa el a rajta található útmutatást.

Ha a gyerekülés bármely része megsérül vagy eltörik, forduljon a legközelebbi Thule-kereskedőhöz.

FIGYELMEZTETÉSEK

Ne rögzítsen plusz terhet vagy felszerelést a gyereküléshez. A plusz terhet javasolt a kerékpár elején szállítani.

Semmilyen módon ne módosítsa a terméket.

A kerékpár másként viselkedhet, ha gyermek ül rajta, különösen az egyensúly, a kormányzás és a fékezés szempontjából.

Soha ne hagyja felügyelet nélkül a kerékpárt, ha a gyermek az ülésben van.

Soha ne hagyja a gyermeket az ülésben, ha a kerékpárt leparkolta, és csak a támasz tartja.

Ne használja az ülést, ha törött bármelyik része.

A biztonsági utasítások be nem tartása a gyermek vagy a kerékpáros súlyos sérülését vagy akár halálát is okozhatja.

IT NOTA

INSTALLAZIONE

Conservare il manuale in un posto sicuro dopo aver eseguito il montaggio del seggiolino da bicicletta, in modo da poterlo consultare in futuro.

Verificare che la bicicletta sia compatibile con il seggiolino.

In caso di domande, consultare le informazioni fornite con la bicicletta o rivolgersi al rivenditore o al produttore.

Montare esclusivamente sul telaio. Il prodotto è adatto a telai

circolari di diametro pari a 27,2-40 mm (1,07-1,57 pollici) ed ellittici fino a un massimo di 40 x 55 mm (1,57 x 2,16 pollici).

Non è possibile montarlo su biciclette dotate di telai quadrati, triangolari o in fibra di carbonio. La larghezza massima del portabagagli è di 155 mm (6,10 pollici).

Individuare il contrassegno del baricentro e montare il seggiolino il più avanti possibile. Se possibile, mantenere il contrassegno davanti all'asse della ruota posteriore, non oltre 100 mm (3,94 pollici) dietro un punto in verticale posto sopra l'asse della ruota posteriore.

Verificare che le viti della staffa siano strette saldamente (eseguire la verifica regolarmente). Il prodotto non è adatto all'uso su ciclomotori.

Per la massima sicurezza e comfort del bambino, verificare che il seggiolino non sia inclinato in avanti, in modo da evitare che il bambino possa scivolare. Lo schienale dovrebbe essere inclinato leggermente all'indietro.

Verificare che tutte le parti della bicicletta funzionino correttamente una volta montato il seggiolino.

UTILIZZO

Questo prodotto è approvato per bambini di età compresa fra 9 mesi e 6 anni, con un peso compreso fra 9 e 22 kg (20-48,5 lb). Non trasportare bambini troppo piccoli e consultare un pediatra prima di trasportare bambini di età inferiore a 1 anno. Esclusivamente per bambini che sono in grado di restare seduti autonomamente per un periodo di tempo prolungati, pari almeno alla durata prevista del viaggio. Independentemente dall'età, il bambino deve essere in grado di mantenere la testa alta indossando un casco da bicicletta della misura corretta. Verificare periodicamente che il bambino non superi il peso massimo consentito.

Prima di ciascun utilizzo, controllare tutte le viti per verificare che il seggiolino sia fissato saldamente alla bicicletta.

Durante l'utilizzo, indossare un casco da bicicletta approvato e farlo indossare anche al bambino. Non guidare mai la bicicletta di notte senza un'illuminazione adeguata. Non coprire i catarifrangenti posteriori o le luci

posteriori durante l'utilizzo del seggiolino.

La presenza di un seggiolino da bicicletta per bambini potrebbe costringere a salire e scendere dalla bicicletta in modo diverso. Prestare particolare attenzione a questo aspetto.

Prima di ciascun utilizzo della bicicletta, verificare che il seggiolino da bicicletta montato non interferisca con freni, pedali o manubrio.

Utilizzare sempre l'imbracatura e stringerla correttamente intorno al bambino. Verificare che l'imbracatura e le cinghie fermapiedi non siano allentate, poiché potrebbero incastrarsi in parti in movimento (come le ruote). Ciò vale anche nell'utilizzare la bicicletta senza bambini nel seggiolino.

Verificare che abiti, scarpe, giocattoli o parti del corpo del bambino non entrino in contatto con parti in movimento della bicicletta come ruote, cavi o molle del sellino. Eseguire la verifica periodicamente, con la crescita del bambino. È possibile coprire le molle del sellino con un coprimolle adeguato.

Verificare che non siano presenti oggetti taglienti alla portata del bambino, ad esempio cavi sfilacciati.

Il bambino posto nel seggiolino potrebbe aver bisogno di abiti più caldi rispetto al ciclista. Per proteggere entrambi da piogge inattese, indossare abiti impermeabili. Non uscire mai in condizioni di tempo avverse o pericolose come ad esempio nelle giornate fredde in cui il bambino potrebbe rischiare il congelamento.

Verificare la temperatura del seggiolino prima di posizionarvi il bambino, in particolare nelle giornate calde e soleggiate.

Rimuovere il seggiolino durante il trasporto della bicicletta in auto. La turbolenza dell'aria potrebbe danneggiare il seggiolino o allentare gli agganci, causando un incidente.

Prima dell'utilizzo, verificare l'esistenza di leggi nazionali o regolamenti riguardanti il trasporto dei bambini nei seggiolini da bicicletta.

MANUTENZIONE

Per pulire il seggiolino, utilizzare solo acqua tiepida e sapone. Per

Thule RideAlong - Caution - Achtung

pulire l'imbottitura, consultare le istruzioni di lavaggio presenti sull'imbottitura stessa.

Se una parte qualsiasi del seggiolino fosse danneggiata o guasta, contattare il rivenditore Thule più vicino.

AVVERTENZE

Non agganciare bagagli o attrezzature supplementari al seggiolino. È preferibile agganciare i carichi extra all'estremità anteriore della bicicletta.

Non modificare il prodotto in alcun modo.

La bicicletta potrebbe comportarsi in modo differente

con un bambino collocato nel seggiolino, soprattutto dal punto di vista dell'equilibrio, della sterzata e della frenata.

Non lasciare mai la bicicletta parcheggiata e incustodita con un bambino nel seggiolino.

Non lasciare mai il bambino sul seggiolino quando la bicicletta è parcheggiata e sostenuta solo dal cavalletto.

Non utilizzare il seggiolino se una qualsiasi parte si rompe.

La mancata osservazione delle istruzioni di sicurezza può causare gravi infortuni o la morte del bambino o del ciclista.

JA 注意!

取り付け

サイクルシートを取り付けた後は、このマニュアルを安全な場所に保管してください。

お使いのサイクルがこのチャイルドシートと互換性があることを確認してください。疑問点がある場合は、サイクルに添付された資料をチェックするか、販売店やメーカーに問い合わせてください。

この製品はフレーム取り付け専用です。直径が 27.2~40 mm (1.07~1.57 インチ) の円形フレーム、または縦横が最大 40 x 55 mm (1.57 x 2.16 インチ) の楕円形フレームに使用できます。

四角形、三角形、またはカーボンファイバーのフレームに取り付けることはできません。ラゲッジキャリアの最大幅は 155 mm (6.10 インチ) です。

重心マークの中心を見つけ、シートをできるだけ前方に取り付けます。できれば、後輪の軸の前にこのマークが位置するように取り付けして下さい。その際、後輪の軸から垂直に伸ばしたポイントから後方に 100 mm (3.94 インチ) 以上離れないようにしてください。

ブラケットのネジが完全に締まっていることを確認し、定期的に点検してください。この製品は小型バイクに使用できません。

子供の乗り心地と安全性を最適にするために、シートを前方に傾けないでください。子供が滑り落ちる危険性があります。できれば、バックレストを少しだけ後方に傾けてください。

シートを取り付けた状態で、サイクルすべての部品が正しく動いていることを確認してください。

使用等について

この製品を使用できる子供の年齢は9か月~6歳まで、体重は9~22 kg (20~48.5ポンド)です。座った姿勢を自分の力で保てるお子様向きです。最低限、予

定されているサイクリングの時間にわたって姿勢を維持できない場合は、使用しないでください。この年齢に達していない子供を乗せないでください。1歳未満の子供を乗せる場合は小児科医に相談してください。年齢にかかわらず、シートに乗るときは、子供は適切なサイズのサイクル用ヘルメットを被り、頭を上げて座っている必要があります。また、子供の体重が制限よりも重くなっていないかを定期的に確認してください。

使用する前には常にすべてのネジを点検して、チャイルドシートがサイクルに安全に固定されていることを確認してください。

走行中は、あなたもお子様も認定されたヘルメットを被ってください。夜間の走行時には必ず照明を点灯してください。チャイルドシートの使用時には後ろの反射板やライトが隠れないように気をつけてください。

子供を乗せているときは、サイクルの乗り降りに注意し、十分な配慮をお願いします。

サイクルに乗るたびに、取り付けられたサイクルシートがブレーキ、ペダル、ハンドルに接触していないことを確認してください。

必ずハーネスを使用し、子供が正しく固定されていることを確認してください。ハーネスとフットストラップが緩んでいないこと、それらが車輪などの可動部品の邪魔になっていないことを確認します。この点は、子供をシートに乗せていない場合も同様です。

子供の衣類、靴、おもちゃ、体の一部が、車輪、ワイヤー、サドルスプリングなどサイクルの可動部品と接触しないように注意してください。子供の成長に合わせて、この点は定期的にチェックしてください。サドルスプリングは、対応するスプリングガードでカバーすることもできます。

子供の手が届くところに擦り切れたケーブルなど尖ったものがないように注意してください。

シートに座った子供があなたよりも寒さを感じる事がよくありますので、暖かい格好をさせるよう注意しましょう。あなたやお子さんが突然の雨に困らないように、防水の衣類や雨具を用意しておくこともお勧めします。子供が凍傷になる恐れがあるほど気温の低い日など、悪天候や危険な状況のときはサイクルで外出しないでください。

暑い晴天の日などは、子供を乗せる前にシートの温度をチェックしてください。

サイクルを車に搭載するときはチャイルドシートを取り外してください。乱気流によってシートが損傷したり、シートを固定している部分が緩んだりして事故につながる可能性があります。

使用する前には、子供をサイクルのチャイルドシートに乗せることに関する国内法および規制の有無を確認してください。

メンテナンス

シートを掃除するときは、ぬるま湯の石鹸水を使用してください。パッドを掃除するときは、パッドに付いている洗濯の指示をご覧ください。

チャイルドシートに損傷または破損した部分がある場合は、お近くのThule正規販売店にご連絡ください。

警告

追加のラゲッジや装備をチャイルドシートに取り付けしないでください。追加の荷重が許容されるのはサイクルの前の部分です。製品にはどのような改造も行わないでください。

チャイルドシートを取り付けると、サイクルの動きに変化がある場合があります。特に、バランス、ハンドル操作、ブレーキなどへの影響が考えられます。

子供をシートに乗せたまま、サイクルを駐輪してその場を離れないでください。

子供をシートに乗せたまま、サイクルをキックスタンドだけで固定した状態で駐輪しないでください。

壊れた部分がある状態でシートを使わないでください。

サイクルのユーザーやシートに乗せた子供が安全に関する説明書に従わない場合、深刻な怪我や死亡事故につながる可能性があります。

KO 참고!

설치

자전거 좌석을 장착한 후 본 설명서를 안전한 장소에 보관하십시오. 나중에 필요할 경우 참조할 수 있습니다.

자전거가 본 어린이 좌석과 호환되는지 확인하십시오. 질문이 있을 경우 자전거와 함께 제공된 정보를 확인하거나 자전거 판매점 또는 제조업체에 문의하십시오.

프레임에만 장착하십시오. 본 제품은 직경이 27.2-40mm(1.07-1.57")인 원형 프레임 또는 최대 40x55mm(1.57x2.16")의 타원형 프레임에 적합합니다.

사각형, 삼각형 또는 카본 섬유 프레임 자전거에는 장착할 수 없습니다. 화물 캐리어의 최대 너비는 155mm(6.10")입니다.

무게중심 표시를 확인하고 좌석을 가능한 한 앞쪽에 장착합니다. 이 표시가 뒷바퀴 축의 앞부분에 오도록 하는 것이 좋으며 뒷바퀴 축 위의 수직 지점에서 뒤로 100mm(3.94") 이상의 지점에 오면 안 됩니다.

브레이크 나사가 완전히 조여져 있는지 정기적으로 점검하십시오. 본 제품은 모터 자전거에는 적합하지 않습니다.

어린이의 편안함과 안전성을 극대화하려면 좌석이 앞으로 기울어지지 않도록 해야 합니다. 좌석이 기울어지면 어린이가 이탈할 수 있습니다. 등받이는 뒤로 약간 기울어져 있는 것이 좋습니다.

좌석이 장착된 상태에서 자전거의 모든 부품이 올바르게 작동하는지

확인하십시오.

사용

본 제품은 9-22kg(20-48.5lbs) 체중의 9개월-6살 어린이에 맞춰 승인되었습니다. 장거리 여행을 할 경우 앓는데 도움이 필요하지 않은 어린이만 앉히십시오. 너무 어린 아이에 대해서는 사용하지 마시고 1살 미만의 어린이를 운송할 경우 항상 소아과 의사와 상의하십시오. 연령과 상관없이 어린이는 적절한 크기의 자전거 헬멧을 착용한 상태에서 머리를 똑바로 들 수 있어야 합니다. 어린이가 최대 무게를 초과하지 않는지 정기적으로 확인하십시오.

사용하기 전에 항상 모든 나사를 점검하여 어린이 좌석이 자전거에 단단히 고정되었는지 확인하십시오.

이동하는 중에 자전거 운전자와 어린이는 승인된 자전거 헬멧을 착용해야 합니다. 적절한 조명을 확보하지 않은 상태에서 야간에 자전거를 타지 마십시오. 자전거에 어린이 좌석을 사용할 때 후면 리플렉터 또는 미등을 가리지 마십시오.

어린이 자전거 좌석이 있을 경우 자전거를 타고 내리는 방법을 변경해야 할 수 있습니다. 각별히 주의하시기 바랍니다.

자전거를 타기 전에 장착된 자전거 좌석이 브레이크, 페달 또는 핸들에 방해가 되지 않는지 확인하십시오.

항상 벨트를 착용하고 어린이의 주변에 올바르게 고정하십시오. 벨트와 풋스트랩이 헐겁지 않아야 합니다. 그렇지 않으면 바퀴와 같은 움직이는 부품에 끼일 수 있습니다. 이러한

Thule RideAlong - Caution - Achtung

주의사항은 좌석에 어린이가 탑승하지 않은 상태에서 자전거를 탈 때에도 적용됩니다.

어린이의 옷, 신발, 장난감 또는 신체 일부가 바퀴, 와이어, 안장 스프링 등 자전거의 움직이는 부품과 접촉하지 않아야 합니다. 어린이의 성장 속도에 맞춰 이를 정기적으로 확인하십시오. 안장 스프링은 적절한 스프링 가드로 덮을 수 있습니다.

낡은 케이블 등의 날카로운 물체가 어린이의 손에 닿지 않도록 하십시오.

자전거 운전자보다 좌석에 앉은 어린이에게 보온용 의류가 더 필요할 수 있습니다. 예상치 못한 비로부터 탑승자를 보호하기 위해 방수복을 가지고 다니는 것이 좋습니다. 굵은 날씨가 위험한 조건 하에서는 자전거를 타지 말아야 합니다. 예를 들어 날씨가 추우면 어린이가 동상에 걸릴 수 있습니다.

특히 뜨거운 여름철에는 어린이를 앉히기 전에 좌석의 온도를 확인하십시오.

자전거를 차량으로 운송할 때는 어린이 좌석을 분리하십시오. 난기류로 인해 좌석이 손상되거나 고정된 부위가 느슨해질 수 있으며 이는 사고로 이어질 수 있습니다.

사용하기 전에 어린이를 자전거 어린이 좌석으로 운송하는 것과 관련한 현지 법규나 규정이 있는지 확인하십시오.

유지 관리

LT IEVČROJĪET!

MONTAVIMAS

Pritvirtinę dviračio kėdutę, laikykite šį vadovą saugioje vietoje. Jo gali prireikti jums arba kitiems naudotojams ateityje.

Įsitinkite, kad dviratis suderinamas su vaiko kėdute. Iškilus bet kokiems klausimams, peržiūrėkite kartu su dviračiu, pateiktą informaciją arba teiraukitės dviračio parduotuvėje ar gamintojo.

Tvirtinkite tik ant rėmo. Šis produktas tvirtinamas prie apvalių rėmų, kurių skersmuo 27,2–40 mm (1,07–1,57 col.) ir elipsinių rėmų, kurių didžiausias dydis 40 x 55 mm (1,57 x 2,16 col.).

Negalima tvirtinti ant kvadratinų, trikampių arba anglies pluošto rėmų. Maksimalus bagažo laikiklio plotis – 155 mm (6,10 col.).

Nustatykite svorio centro žymę ir pritvirtinkite kėdutę kiek galima labiau priekyje. Rekomenduojama, kad ši žymė būtų galinio rato ašies priekyje, tačiau joki būdu ne toliau nei 100 mm (3,94 col.) už taško, išvesto

vaikams. Jei vaikas sveria mažiau nei 22 kg (48,5 lb), jis turi būti tvirtinamas prie galinio rato ašies priekyje. Jei vaikas sveria daugiau nei 22 kg (48,5 lb), jis turi būti tvirtinamas prie galinio rato ašies priekyje. Jei vaikas sveria daugiau nei 22 kg (48,5 lb), jis turi būti tvirtinamas prie galinio rato ašies priekyje.

erlini 좌석의 일부에 손상 또는 고장이 발생한 경우 가까운 Thule 판매 대리점에 문의하십시오.

경고

어린이 좌석에 화물 또는 장비를 추가로 부착하지 마십시오. 추가 화물은 자전거의 앞부분에 부착하는 것이 가장 좋습니다.

절대로 제품을 개조하지 마십시오.

어린이가 좌석에 있을 경우 특히 균형, 조향 및 제동과 관련하여 자전거가 보통 때와는 다르게 작동할 수 있습니다.

어린이가 좌석에 있는 상태에서 보호자 없이 자전거를 세워둔 채 떠나지 마십시오.

어린이가 좌석에 있는 상태에서 자전거를 kick스탠드만을 사용하여 세워둔 채 떠나지 마십시오.

부품이 손상된 좌석은 사용하지 마십시오.

안전 관련 지침을 준수하지 않으면 어린이 또는 자전거 운전자의 심각한 부상 또는 사망 사고로 이어질 수 있습니다.

vertikaliai iš galinio rato ašies.

Įsitinkite, kad rėmo varžtai visiškai priveržti ir reguliariai juos tikrinkite. Šio produkto negalima naudoti ant mopedų.

Siekdami užtikrinti optimalų vaiko komfortą ir saugą, patikrinkite, ar kėdutė nepasvirusi į priekį, kad vaikas iš jos neišslųstų. Rekomenduojama atlošą paversti šiek tiek atgal.

Patikrinkite, ar pritvirtintus kėdutę tinkamai veikia visos dviračio dalys.

NAUDOJIMAS

Šis produktas patvirtintas naudoti nuo 9 mėnesių iki 6 metų amžiaus vaikams, kurių svoris 9–22 kg (20–48,5 sv.). Nevežkite jaunesnio vaiko ir visada prieš veždami jaunesnį nei 1 metų vaiką, pasitarkite su pediatru. Tinka tik vaikams, kurie gali sėdėti be priežiūros ilgesnį laiką, bent tiek, kiek trunka numatyta kelionė dviračiu. Neatsižvelgiant į vaiko amžių, jis privalo gebėti išlaikyti galvą dėvėdamas tinkamo dydžio dviratininko šalmą. Nuolat

tikrinkite, ar vaikas neviršija maks. leistino svorio.

Prieš kiekvieną naudojimą patikrinkite visus varžtus ir įsitikinkite, kad vaiko sėdynė saugiai pritvirtinta prie dviračio.

Važiuodami tiek jūs, tiek vaikas būtinai dėvėkite patvirtintus dviratininkų šalmsus. Niekuomet nevažiuokite dviračiu naktį be atitinkamo apšvietimo. Naudodami ant dviračio tvirtinamą vaiko kėdutę, neuždenkite galinių atšvaitų arba žibintų.

Naudojant vaiko dviračio kėdutę gali tekti keisti užsėdimo ant dviračio ir nulipimo nuo jo būdą. Būkite ypač atsargūs.

Prieš kiekvieną važiavimą patikrinkite, ar pritvirtinta dviračio kėdutė nekliudo stabdyti, minti pedalus arba vairuoti.

Visuomet naudokite saugos diržus ir patikrinkite, ar tinkamai jais prisegtas vaikas. Patikrinkite, ar neatsilaisvinę saugos diržai ir pėdų dirželiai ir ar neįstrigę judančiose dalyse, pavyzdžiui, ratuose. Tai galioja ir naudojant dviratį, kai vaikas nesėdi kėdutėje.

Užtikrinkite, kad vaiko drabužiai, batai, žaislai ar kūno dalys nesiliestų prie jokių judančių dviračio dalių, pavyzdžiui, ratų, vielų ir balnelio spyruoklių. Nuolat tai tikrinkite vaikui augant. Balnelio spyruokles galima uždenkti atitinkama spyruoklių apsauga.

Įsitikinkite, kad vaikas nepasiekia aštrių objektų, pvz., atspurusių trosų.

Sėdinčiam vaikui dažnai reikia šiltesnių drabužių nei dviratininkui. Norint apsisaugoti nuo netikėto lietaus, pravartu turėti vandeniu nepralaidžius drabužius. Niekuomet nevažiuokite stačią

šlaitu arba pavojingomis sąlygomis, pavyzdžiui, šaltu oru, kai vaikas gali nušalti.

Prieš sodindami vaiką, ypač karštomis, saulėtomis dienomis, patikrinkite kėdutės temperatūrą.

Nuimkite vaiko kėdutę transportuodami dviratį automobiliu. oro sukūriai gali pažeisti kėdutę arba atlaisvinti tvirtinimą ir sukelti avariją.

Prieš naudodami pasidomėkite, ar yra nacionalinių įstatymų ir teisės aktų, susijusių su vaiko vežimu dviračio vaiko kėdutėje.

PRIEŽIŪRA

Valykite kėdutę tik drungnu vandeniu su muilu. Jei norite išvalyti įdėklą, žr. įdėklo plovimo instrukcijas.

Jei kuri nors vaiko kėdutės dalis pažeista arba sugadinta, kreipkitės į artimiausią „Thule“ pardavėją.

ĮSPĖJIMAI

Netvirtinkite prie vaiko kėdutės papildomo багаžo arba įrangos. Bet kokį papildomą krovinį geriausia tvirtinti dviračio priekyje.

Jokiu būdu nemodifikuokite produkto.

Kėdutėje sėdint vaikui dviračio valdymas, ypač pusiausvyros išlaikymas, vairavimas ir stabdymas, gali pasikeisti.

Niekuomet nepalikite pastatyto dviračio su vaiku kėdutėje be priežiūros.

Niekuomet nepalikite vaiko kėdutėje, kai dviratis pastatomas ir atremiamas tik atramine kojele.

Nenaudokite kėdutės, jei pažeista kuri nors jos dalis.

Nesilaikant saugos instrukcijų, vaikas arba dviratininkas gali patirti rimtų arba mirtinų sužeidimų.

LV PASTABA

UZSTĀDĪŠANA

Gādājiet, lai šī rokasgrāmata pēc velosipēda sēdekļa uzstādīšanas tīktu glabāta drošā vietā. Jums vai citiem lietotājiem var rasties vajadzība to izmantot vēlāk.

Noskaidrojiet, vai jūsu velosipēds ir saderīgs ar šo bērnu sēdekli. Ja jums rodas kādi jautājumi, pārbaudiet velosipēda komplektācijā iekļauto informāciju vai sazinieties ar velosipēda pārdevēju vai ražotāju.

Piestipriniet tikai pie rāmja.

Šo produktu var piestiprināt pie apaļiem rāmjiem ar 27,2–40 mm (1,07–1,57 collas) diametru un pie eliptiskiem rāmjiem ar maks. izmēru 40x55 mm (1,57x2,16 collas).

Nevar piestiprināt pie velosipēdiem ar četrkantīgas, trīsstūra formas vai oglekļa šķiedru rāmjiem. Maksimālais bagāžas turētāja platums ir 155 mm (6,10 collas).

Nosakiet gravitācijas atzīmes centru un uzstādiet sēdekli, cik vien iespējams tālu uz priekšpusi. Visieteicamāk ir, ja šī atzīme ir aizmugurējā riteņa ass priekšpusē,

Thule RideAlong - Caution - Achtung

bet nekada gadījumā ne tālāk par 100 mm (3,94 collas) aiz punkta vertikāli virs aizmugurējā riteņa ass.

Kārtīgi pievelciet skavas skrūves un regulāri tās pārbaudiet. Šo izstrādājumu nav paredzēts lietot piestiprinātu pie mopēda.

Lai nodrošinātu optimālu bērna komfortu un drošību, pārliecinieties, vai sēdekļis nav sagāzies uz priekšu (jo bērns no tā var izslīdēt). Ir ieteicamāk, ja aizmugures atzveltnē ar mazliet atliekta atpakaļ.

Pārbaudiet, vai pēc sēdekļa uzstādīšanas visas velosipēda daļas darbojas pareizi

LIETOJUMS

Šis produkts ir apstiprināts lietošanai bērniem no 9 mēnešu līdz 6 gadu vecumam (bērna svars: 9–22 kg (20–48,5 mārciņas)). Nepārvadājiet šajā sēdekļī bērnu, kurš ir mazāks par šeit norādīto, un, pirms pārvadājat bērnu, kurš nav sasniedzis 1 gada vecumu, sazinieties ar pediatru. Pārvadājiet tikai tādus bērnus, kas var patstāvīgi nosēdēt ilgāku laika periodu (vismaz paredzamo brauciena ar velosipēdu laiku). Bērnam ir jāspēj noturēt galvu, kad tam ir uzlikta atbilstoša izmēra ķivere. Regulāri pārbaudiet, vai bērna svars nepārsniedz noteikto maksimālo svaru.

Pirms katras lietošanas pārbaudiet visas skrūves, lai pārliecinātos, ka bērna sēdekļis ir droši nostiprināts pie velosipēda.

Brauciena laikā rūpējieties, lai gan jums, gan bērnam galvā būtu apstiprināta velosipēdista ķivere. Nekad nebrauciet ar velosipēdu tumsā, ja jums nav piemērota apgaismojuma. Ja piestiprināt velosipēdam bērna sēdekli, neaizsedziet aizmugurē esošos atstarotājus vai gaismas.

Kad velosipēdam piestiprināsiet bērnu sēdekli, iespējams, būs jāmaina veids, kā uzkāpt un nokāpt no velosipēda. Pievērsiet tam papildus uzmanību.

Pirms katra brauciena pārliecinieties, vai piestiprinātais velosipēda sēdekļis netraucē bremzēt, mīties vai stūrēt.

Vienmēr lietojiet drošības jostas un pārliecinieties, vai bērnam tās ir nostiprinātas pareizi. Pārbaudiet, vai jostas un kāju siksnas nav kļuvušas vaļīgas un vai tām nepastāv risks tikt ierautām kustīgajās daļās, piemēram, riteņos. Tas attiecas arī uz gadījumiem, ja

ritenim ir piestiprināts sēdekļis, bet bērns netiek pārvadāts.

Nodrošiniet, lai velosipēda kustīgajās daļās, piemēram, riteņos, vados un sēdekļa atsperēs, neieķļūtu bērna apģērbs, kurpes, rotaļlietas vai ķermeņa daļas. To regulāri pārbaudiet, bērnam kļūstot vecākam. Sēdekļa atsperes var nosegt ar atbilstošu atsperu aizsargu.

Gādājiet, lai bērnam nebūtu aizsniedzami asi priekšmeti, piemēram, vaļēji kabeļi.

Bērnam, kas sēž sēdekļī, bieži ir nepieciešams siltāks apģērbs nekā pašam braucējam. Lai gan sevi, gan bērnu aizsargātu no neparedzētas lietusgāzes, ir ieteicams valkāt ūdensizturīgu apģērbu. Nekad nebrauciet nelabvēlīgā vai bīstamā laikā, piemēram, aukstumā — tā bērns var iegūt apsaldējumus.

Pirms bērnu sēdināt sēdekļī, pārbaudiet bērnu sēdekļa temperatūru, jo īpaši karstās, saulainās dienās.

Pirms velosipēda pārvadāšanas automašīnā noņemiet bērnu sēdekli. Automašīnas šūpošanās var sabojāt sēdekli vai padarīt vaļīgākus stiprinājumus, kas savukārt var izraisīt negadījumus.

Pirms lietošanas pārbaudiet, vai pastāv kādi valsts likumi vai noteikumi attiecībā uz bērna pārvadāšanu velosipēda bērnu sēdekļī.

APKOPE

Bērnu sēdekļa tīrīšanai izmantojiet tikai remdenu ziepjūdeni. Lai iztīrītu polsterējumu, skatiet uz tā norādītās mazgāšanas instrukcijas.

Ja kāda bērnu sēdekļa daļa ir bojāta vai salauzta, sazinieties ar tuvāko Thule tirgotāju.

BRĪDINĀJUMI

Nepievienojiet bērnu sēdeklim nekādu papildu bagāžu vai ierīces. Visieteicamāk ir pievienot papildu bagāžu velosipēda priekšpusē.

Nekādā veidā nepārveidojiet produktu.

Pārvadājot sēdekļī bērnu, velosipēda kustība var atšķirties no ierastās (jo īpaši līdzsvara noturēšana, stūrēšana un bremzēšana).

Nekad neatstājiet velosipēdu bez uzraudzības, ja sēdekļī sēž bērns.

Nekad neatstājiet velosipēdu bez uzraudzības, atbalstot to tikai uz atbalsta kājiņas, ja sēdekļī sēž bērns.

nelietojiet sēdekli, ja ir salūzusi kāda no tā daļām.

Drošības instrukciju

neievērojama var radīt nopietnus ievainojumus vai beigties letāli bērnam vai velosipēda vadītājam.

NL NB!

INSTALLATIE

Bewaar deze handleiding op een veilige plaats nadat u de fietsstoel hebt gemonteerd. U of andere gebruikers hebben die in de toekomst misschien nog nodig.

Zorg ervoor dat uw fiets geschikt is voor dit kinderzitje. Indien u vragen hebt, raadpleeg dan de gegevens die bij de fiets zijn meegeleverd, of vraag het na bij uw fietswinkel of -fabrikant.

Alleen op het frame monteren. Dit product past op ronde frames met een diameter van 27,2-40 mm, en op ovalen frames van maximaal 40x55 mm.

Kan niet worden gemonteerd op fietsen met vierkante of driehoekige frames, of op carbonframes. Maximale breedte van de bagagedrager is 155 mm.

Zoek het midden van de zwaartekrachtmarkering en monteer de stoel zo ver naar voren als mogelijk is. Deze markering moet bij voorkeur voor de as van het achterwiel zitten, maar absoluut niet meer dan 100 mm achter een punt verticaal boven de achterwielas.

Zorg ervoor dat de schroeven van de klemmen strak vastzitten, en controleer dit regelmatig. Dit product is niet geschikt voor gebruik op een bromfiets.

Zorg voor optimaal comfort en veiligheid van uw kind en check dat de stoel niet naar voren helt, waardoor het kind eruit zou kunnen glijden. De rugleuning moet bij voorkeur een beetje achterover hellen.

Controleer of alle fietsonderdelen correct functioneren als de stoel erop is gemonteerd.

ГЕБРУИК

Dit product is goedgekeurd voor kinderen vanaf 9 maanden tot maximaal 6 jaar oud, met een gewicht van 9-22 kg. Neem er geen kind in mee dat te jong is, en raadpleeg altijd een kinderarts voordat u een kind van jonger dan 1 jaar wilt vervoeren. Neem alleen kinderen mee die een tijdje, in elk geval voor de duur van de geplande fietsrit, zonder hulp rechtop kunnen zitten.

Ongeacht zijn leeftijd moet het kind in staat zijn om zijn hoofd omhoog te houden met een fietshelm van de juiste maat. Raadpleeg uw kinderarts voordat u een kind vervoert dat jonger is dan 1 jaar. Controleer regelmatig of het kind niet zwaarder is dan het maximale gewicht.

Controleer alle schroeven telkens voor gebruik om er zeker van te zijn dat het kinderzitje stevig op de fiets zit.

Zorg dat u en uw kind tijdens de fietsrit een goedgekeurde fietshelm dragen. Fiets 's avonds nooit zonder goede verlichting. Bedek de reflectoren op de achterkant of achterlicht niet als u het kinderzitje op een fiets gebruikt.

De aanwezigheid van een fietsstoel kan ervoor zorgen dat u op een andere manier op- of afstapt. Houd daar extra rekening mee.

Controleer vóór elke fietsrit of de gemonteerde fietsstoel het remmen, trappen of sturen niet belemmert.

Gebruik steeds de gordel, en zorg ervoor dat u die correct om uw kind vastzet. Controleer of de gordel en de voetbandjes niet loszitten of klem kunnen komen te zitten in bewegende onderdelen zoals de wielen. Dit geldt ook als u de fiets gebruikt zonder dat er een kind in de stoel zit.

Zorg ervoor dat kleren, schoenen, speelgoed of lichaamsdelen van het kind niet in contact komen met bewegende onderdelen van de fiets, zoals wielen, bedrading en zadelveren. Controleer dit regelmatig naarmate het kind groter wordt. Zadelveren kunnen worden afgedekt met geschikte zadelveerbescherming.

Zorg dat er zich geen scherpe voorwerpen binnen het bereik van het kind bevinden, zoals gerafelde kabels.

Het kind in de stoel heeft vaak warmere kledij nodig dan de fietser. Om u beiden te beschermen tegen onverwachtse regen is het verstandig om waterbestendige kledij mee te nemen. Ga nooit fietsen onder gure of gevaarlijke omstandigheden, zoals koud weer waardoor uw kind last kan krijgen van bevriezing.

Controleer de temperatuur van

Thule RideAlong - Caution - Achtung

het zitje voordat u het kind erin zet, vooral op hete, zonnige dagen.

Haal het kinderzitje eraf als u de fiets op een auto vervoert. Luchtturbulentie kan het zitje beschadigen of ervoor zorgen dat de montagepunten losser gaan zitten, en dat kan tot ongelukken leiden.

Controleer vóór gebruik of er nationale wet- of regelgeving is over het vervoer van een kind in een kinderzitje.

ONDERHOUD

Gebruik voor het schoonmaken van het kinderzitje uitsluitend een lauwe sopje. Raadpleeg de wasinstructies op de bekleding voordat u die reinigt.

Als er een onderdeel van het kinderzitje beschadigd of defect is, neem dan contact op met de Thule dealer in uw buurt.

WAARSCHUWINGEN

Bevestig geen extra bagage of spullen aan het kinderzitje. Extra bagage kan het best worden vastgemaakt aan de voorkant van de fiets.

Verander het product op geen enkele wijze.

De fiets kan zich anders gedragen met een kind in de stoel, vooral als het gaat om evenwicht, sturen en remmen.

Laat de fiets nooit onbewaakt achter met een kind in de stoel.

Laat het kind nooit in de stoel wanneer de fiets is geparkeerd en enkel op de fietssteun staat.

Gebruik de stoel niet als er een onderdeel kapot is.

Als u zich niet houdt aan de veiligheidsinstructies, kan dat leiden tot ernstig letsel of dood van het kind of fietser.

NO CAUTION!

MONTERING

Ta vare på denne brukerveiledningen når du har montert barnesetet. Du eller andre brukere kan ha behov for å se i den senere.

Sjekk at sykkelen kan brukes sammen med dette barnesetet. Dersom du har spørsmål, kan du se i informasjonen som følger med sykkelen, eller du kan spørre sykkelforhandleren eller produsenten.

Barnesetet må kun monteres på sykkelrammen. Dette produktet passer til runde rammer med en diameter på 27,2–40 mm (1,07–1,57 tommer) og ovale rammer, maks. 40 x 55 mm (1,57 x 2,16 tommer).

Barnesetet kan ikke monteres på sykler med firkantede eller trekantede rammer eller karbonfiber-rammer. Maksimal bredde på bagasjebrettet er 155 mm (6,10 tommer).

Finn balansepunktmerket og monter setet så langt fremme som mulig. Balansepunktmerket bør være foran bakhjulsakslingen og under ingen omstendighet lenger bak enn 100 mm (3,94 tommer), målt i forhold til den loddrette forlengelsen av akslingen.

Sjekk at brakettskruene er strammet godt til, og gjenta denne sjekken regelmessig. Dette produktet er ikke egnet for bruk på en moped.

Av hensyn til barnets komfort og sikkerhet må barnesetet

ikke skråne nedover framover, slik at barnet kan gli ut av det. Ryggstøtten bør skråne svakt bakover.

Sjekk at sykkelen fungerer som den skal, med barnesetet påmontert.

BRUK

Dette produktet er godkjent for barn fra 9 måneder til 6 år, med en vekt på 9–22 kg (20–48,5 lbs). Bruk ikke barnesetet til et barn som er for ungt. Rådfør deg med barnelege før du bruker setet til et barn som er under 1 år gammelt. Du må bare bruke barnesetet for barn som kan sitte uten hjelp en lengre periode, og minimum så lenge som sykkelturen varer. Uansett alder må barnet kunne holde hodet oppe mens det har på seg en sykkelhjelm av korrekt størrelse. Sjekk regelmessig at barnet ikke overskrider maksimumsvekten.

Sjekk alle skruer før hver bruk for å sørge for at barnesetet er trygt festet til sykkelen.

Under sykkelturen må både du og barnet ha på godkjente sykkelhelmer. Sykle aldri om kvelden uten tilstrekkelig med lys på sykkelen. Dekk ikke til de bakre refleksene eller baklyset når du bruker barnesetet på en sykkel.

Når det er montert barnesete på sykkelen, må du kanskje endre måten du stiger på eller går av sykkelen på. Vær ekstra oppmerksom på dette.

Før hver tur må du sjekke at det påmonterte barnesetet ikke hinder brems, pedaler eller styring.

Bruk alltid festeselen, og sjekk at det er korrekt festet til barnet. Sjekk at festeselen og fotstroppene ikke er løse eller kan filtrere seg inn i bevegelige deler som for eksempel hjulene. Dette gjelder også når du bruker sykkelen uten barn i setet.

Sjekk at barnets klær, sko, leker eller kroppsdeler ikke kommer i berøring med bevegelige deler på sykkelen som hjul, vaiere og setefjærer. Sjekk dette regelmessig etter som barnet vokser til. Setefjærer kan dekket til med et egnet fjærdeksel.

Sjekk at det ikke er noen skarpe gjenstander innenfor barnets rekkevidde, f.eks. frynsete kabler. Et barn som transporteres i setet, vil ofte ha større behov for varme klær enn syklisten. Den kan være lurt å bruke vanntette ytterklær i tilfelle det skulle begynne å regne. Sykle aldri i uvær eller under farlige forhold, for eksempel når det er kulde, som kan gi barnet frostskafer.

Sjekk temperaturen i setet før du setter barnet i det, særlig på varme, solfylte dager.

Ta av barnesetet når du transporterer sykkelen på en bil. Luftturbulens kan skade setet eller løse fester, noe som kan føre til ulykker.

Før du tar i bruk barnesetet, bør du sjekke om det er nasjonale lover eller forskrifter som gjelder transport av barn i barnesete på sykkel.

VEDLIKEHOLD

Rengjør barnesetet med lunket såpevann. Se egen rengjøringsveiledning for polstringer.

Dersom en del av barnesetet blir skadet eller ødelagt, må du kontakte din nærmeste Thuleforhandler.

ADVARSLER

Fest ikke ekstra bagasje eller utstyr til barnesetet. All ekstra vekt bør festes foran på sykkelen.

Utfør ikke noen form for endringer av produktet.

Sykkelen kan oppføre seg annerledes når det er et barn i barnesetet, særlig med tanke på balanse, styring og bremsing.

La aldri sykkelen stå uten tilsyn med et barn i barnesetet.

La aldri barnet være i setet når sykkelen står parkert med bare fotstøtten som støtte.

Bruk ikke setet dersom en del av det er ødelagt.

Dersom disse sikkerhetsanvisningene ikke overholdes, kan det føre til alvorlig personskafe eller død for barnet eller syklisten.

PL UWAGA!

MONTAŻ

Po zamontowaniu fotelika przechowuj tę instrukcję w bezpiecznym miejscu, aby móc skorzystać z niej ponownie w przyszłości.

Upewnij się, że rower jest kompatybilny z fotelikiem. W razie pytań zwróć się do dokumentacji dołączonej do roweru albo zwróć się z pytaniem do sprzedawcy lub producenta roweru.

Fotelik można montować tylko do ramy roweru. Pasuje on do ramy o przekroju okrągłym o średnicy 27,2–40 mm (1,07–1,57 cala) lub eliptycznym nie większym niż 40 x 55 mm (1,57–2,16 cala).

Fotelika nie montować na rowerach z ramami o przekroju prostokątnym, trójkątnym ani na ramach z włókna węglowego. Maksymalna szerokość bagażnika wynosi 155 mm.

Znajdź oznaczenie środka ciężkości i zamocuj fotelik w pozycji możliwie najbardziej wysuniętej do przodu. Najlepiej, by znak znajdował się nad osią tylnego koła i nigdy nie dalej niż 100 mm za osią tylnego koła w pionie.

Upewnij się, czy śruby uchwytu są dobrze dokręcone i regularnie je sprawdzaj. Nie należy montować fotelika na motorowerach.

Dla wygody i bezpieczeństwa dziecka upewnij się, że fotelik nie pochyla się do przodu, a dziecko nie wysuwa się z niego. Najlepiej, kiedy fotelik zawsze odchylony jest lekko do tyłu.

Sprawdź, czy po zamocowaniu fotelika wszystkie części roweru działają prawidłowo.

UŻYTKOWANIE

Fotelik jest przeznaczony dla dzieci od 9 miesięcy do 6 roku życia ważących od 9-22 kg. Nie należy przewozić zbyt małych

Thule RideAlong - Caution - Achtung

dzieci. W foteliku możesz przewozić tylko takie dziecko, które jest w stanie samodzielnie siedzieć przez dłuższy czas – czyli co najmniej tyle, ile ma trwać planowana wycieczka rowerowa. Przed umieszczeniem w foteliku dziecka poniżej jednego roku należy skonsultować się z pediatrą. Niezależnie od wieku dziecko musi być w stanie samodzielnie utrzymać główkę w odpowiednio dopasowanym kasku. Regularnie sprawdzaj, czy waga dziecka nie przekracza maksymalnej dopuszczalnej wartości.

Przed każdym użyciem sprawdź wszystkie śruby, aby mieć pewność, że fotelik jest dobrze przymocowany do roweru i możesz w nim bezpiecznie przewozić dziecko.

Zanim wyruszysz w drogę, załóż odpowiedni kask rowerowy sobie i dziecku. Nigdy nie jedź rowerem w nocy bez odpowiedniego oświetlenia. Fotelik nie może zasłaniać tylnych świateł roweru.

Zamontowany fotelik może wymagać zmiany sposobu wsiadania na rower i zsiadania z niego. Zwróć na to uwagę.

Zanim wyruszysz w drogę, upewnij się, że fotelik nie zakłóca pracy hamulców, pedałów ani kierownicy.

Zawsze używaj szelek i upewnij się, że dziecko jest w nie prawidłowo zapięte. Ani szelki, ani zapięcia na stopy nie mogą być zbyt luźne, by nie dostały się do ruchomych części roweru, takich jak koła. Dotyczy to również jazdy na rowerze z pustym fotelikiem.

Upewnij się, że ubranie, buty, zabawki ani żadna część ciała dziecka nie styka się z ruchomymi częściami roweru, takimi jak koła, przewody czy sprężyny siodełka. Sprawdzaj to regularnie, ponieważ dziecko rośnie. Sprężyny siodełka można zabezpieczyć specjalną osłoną.

Upewnij się, że zasięgu dziecka nie ma żadnych ostrych przedmiotów, np. przetartych kabli.

Dziecko w foteliku zazwyczaj musi być ubrane cieplej niż sam rowerzysta. Aby zabezpieczyć się

przed nieoczekiwanymi deszczem, zawsze warto mieć przy sobie nieprzemakalne ubranie. Nie należy wybierać się w podróż w brzydką pogodę i przy niebezpiecznych warunkach, np. kiedy jest zimno, ponieważ dziecko może nabawić się odmrożeń.

Zanim posadzisz dziecko w foteliku, sprawdź, czy nie jest zbyt rozgrzany, zwłaszcza w upalne, słoneczne dni.

W trakcie transportu roweru na bagażniku samochodowym należy zdjąć fotelik. Pęd powietrza podczas jazdy może go uszkodzić lub poluzować uchwyt, co może doprowadzić do wypadku.

Zanim zaczniesz korzystać z fotelika, zapoznaj się ze wszystkimi lokalnymi przepisami o bezpiecznym przewożeniu dziecka w foteliku rowerowym.

KONSERWACJA

Fotelik należy czyścić letnią wodą z mydłem. Wyściółkę należy czyścić zgodnie z naszytymi na niej instrukcjami prania.

Jeśli jakaś część fotelika ulegnie uszkodzeniu, skontaktuj się z najbliższym sprzedawcą Thule.

OSTRZEŻENIA

Nie należy mocować do fotelika dodatkowego bagażu ani sprzętu. Dodatkowe obciążenie najlepiej zamocować z przodu roweru.

Fotelika nie należy w żaden sposób modyfikować.

Z dzieckiem w foteliku rower może zachowywać się inaczej niż zwykle, szczególnie w zakresie równowagi, kierowania i hamowania.

Nigdy nie zostawiaj roweru z dzieckiem w foteliku bez nadzoru.

Nigdy nie zostawiaj roweru z dzieckiem w foteliku, kiedy rower jest zaparkowany i oparty tylko na nóżce.

Nie należy używać fotelika, jeśli jakkolwiek jego część jest uszkodzona.

Nieprzestrzeganie instrukcji bezpieczeństwa może być przyczyną poważnych obrażeń lub śmierci dziecka albo osoby kierującej rowerem.

PT CUIDADO!

INSTALAÇÃO

Certifique-se de manter este manual em um local seguro após montar o assento para bicicleta. Você ou outros usuários podem precisar dele para referência futura.

Certifique-se de que sua bicicleta seja compatível com este assento infantil. Se você tiver perguntas, verifique as informações fornecidas com a bicicleta ou pergunte ao revendedor ou fabricante da bicicleta.

Monte apenas no quadro. Este produto é compatível com quadros redondos com diâmetro de 27,2-40 mm (1,07-1,57") e quadros elípticos máx. 40 x 55 mm (1,57 x 2,16").

Não pode ser montado em bicicletas com quadros retangulares, triangulares ou em fibra de carbono. A largura máxima do suporte para bagagens é 155 mm (6,10").

Identifique a marca do centro de gravidade e monte o assento o mais longe possível. Preferencialmente, posicione essa marca à frente do eixo da roda traseira, mas não mais que 100 mm (3,94") atrás de um ponto verticalmente acima do eixo da roda traseira.

Certifique-se de que os parafusos do fixador sejam completamente apertados e verifique-os regularmente. Este produto não é adequado para uso em ciclomotores.

Para proporcionar conforto e segurança máximos à criança, certifique-se de que o assento não incline para frente, o que poderia permitir que a criança deslizesse para fora dele. Preferencialmente, o encosto deve ser inclinado ligeiramente para trás.

Verifique se todas as peças da bicicleta funcionam corretamente com o assento montado.

USO

Este produto foi aprovado para crianças de 9 meses a 6 anos de idade, com peso entre 9 e 22 kg (20 a 48,5 lbs). Não transporte crianças abaixo dessa idade. Consulte um pediatra antes de transportar crianças com menos de 1 ano de idade. Transporte somente crianças capazes de sentar sozinhas por períodos maiores (no mínimo, a duração pretendida do passeio). Independentemente da idade, criança deve ser capaz de sustentar a cabeça enquanto usa um capacete

para bicicletas do tamanho correto. Verifique regularmente se a criança não excede o peso máximo permitido.

Antes de cada utilização, examine todos os parafusos para verificar se o assento infantil está preso com segurança à bicicleta.

Durante o passeio, certifique-se de que você e a criança usem capacetes aprovados. Nunca ande de bicicleta à noite sem iluminação adequada. Não cubra os refletores/luzes traseiros ao usar um assento infantil em uma bicicleta.

A presença de um assento infantil para bicicletas pode exigir que você mude a maneira que entra e sai da bicicleta. Preste atenção especial a isso.

Antes de cada passeio, certifique-se de que o assento montado na bicicleta não interfira com o freio, pedais ou guidão.

Sempre use o cinto e certifique-se de apertá-lo corretamente ao redor da criança. Certifique-se de que o cinto e os apoios para pés não estejam soltos ou possam ficar presos em peças móveis como as rodas. Isso também se aplica ao usar a bicicleta sem uma criança no assento.

Certifique-se de que roupas, sapatos, brinquedos ou partes do corpo da criança não entrem em contato com quaisquer peças móveis da bicicleta como rodas, cabos e molas do banco. Verifique esses itens regularmente conforme a criança cresce. As molas do banco podem ser cobertas com uma proteção para molas adequada. Certifique-se de que não haja objetos afiados ao alcance da criança, por exemplo, cabos desgastados.

A criança sentada frequentemente precisa de roupas mais quentes do que o ciclista. Para proteger ambos contra chuvas inesperadas, recomenda-se carregar roupas à prova d'água. Nunca passeie em condições perigosas ou cruéis como tempos frios que possam fazer a criança sofrer congelamentos.

Verifique a temperatura do assento antes de sentar a criança, especialmente em dias quentes e ensolarados.

Remova o assento infantil ao transportar a bicicleta no carro. A turbulência do ar pode danificar o assento ou afrouxá-lo o que poderia provocar acidentes. Antes do uso, verifique se há leis

Thule RideAlong - Caution - Achtung

e regulamentações nacionais específicas para transportar uma criança em um assento infantil para bicicletas.

MANUTENÇÃO

Para limpar o assento infantil, use apenas água morna com sabão. Para limpar o forro, consulte as instruções de lavagem nele contidas.

Se qualquer parte do assento infantil for danificada ou quebrada, entre em contato com o revendedor Thule mais próximo.

AVISOS

Não anexe bagagens ou equipamentos adicionais ao assento infantil. Qualquer carga adicional deverá ser idealmente anexada à extremidade frontal da bicicleta.

Não modifique o produto de forma alguma.

A bicicleta pode se comportar de forma diferente com uma criança no assento, especialmente, com relação a equilíbrio, direção e frenagem.

Nunca deixe a bicicleta estacionada sem supervisão com uma criança no assento.

Nunca deixe a criança no assento quando a bicicleta estiver estacionada e apoiada apenas por um descanso.

Não use o assento se qualquer parte estiver quebrada.

Se as instruções de segurança não forem seguidas, ferimentos sérios ou morte da criança ou ciclista poderão ocorrer.

RO ATENTIE!

INSTALAREA

Păstrați acest manual într-un loc sigur după ce ați montat scaunul pentru bicicletă. Dumneavoastră sau alți utilizatori ar putea avea nevoie de el în viitor.

Asigurați-vă că bicicleta este compatibilă cu acest scaun pentru copil. Dacă aveți întrebări, verificați informații furnizate împreună cu bicicleta sau întrebați comerciantul bicicletei sau producătorul.

Montați doar pe cadru. Acest produs este adecvat pentru cadre rotunde cu diametru de 27,2-40 mm (1,07-1,57") și eliptice, de maxim 40x55 mm (1,57x2,16").

Nu poate fi montat pe biciclete cu cadre pătrate, triunghiulare sau din fibră de carbon. Lățimea maximă a suportului pentru bagaje este 155 mm (6,10").

Identificați marcajul centrului de gravitate și montați scaunul cât mai în față posibil. Este de preferat ca acest marcaj să fie în fața axei roții spate, dar nu la mai mult de 100 mm (3,94") în spatele unui punct pe verticală deasupra axei roții spate.

Asigurați-vă că șuruburile consolei sunt strânse până la capăt și verificați-le în mod regulat. Acest produs nu este adecvat pentru utilizarea pe un moped.

Pentru confortul și siguranța optime ale copilului, aveți grijă ca scaunului să nu fie înclinat spre înainte, astfel încât să existe posibilitatea alunecării copilului. Este de

preferat ca spătarul să fie înclinat ușor spre înapoi.

Verificați ca toate componentele bicicletei să funcționeze corect cu scaunul montat.

UTILIZAREA

Acest produs este aprobat pentru copiii de la 9 luni până la 6 ani, cu o greutate între 9 și 22 kg (20-48,5 lbs). Nu transportați un copil prea mic și consultați întotdeauna un medic pediatru înainte de a transporta un copil mai mic de 1 an. Duceți numai copii care pot sta așezați fără asistență pentru o perioadă mai lungă de timp, cel puțin pe perioada călătoriei intenționate. Indiferent de vârstă, copilul trebuie să poată să-și țină capul sus și să poată să poarte o cască de bicicletă de dimensiunea corectă. Verificați în mod regulat ca greutatea copilului să nu depășească greutatea maximă.

Înainte de fiecare utilizare, verificați toate șuruburile pentru a vă asigura că scaunul pentru copil este fixat în siguranță pe bicicletă. Aveți grijă ca, în timpul călătoriei, să purtați căști de bicicletă aprobate. Nu mergeți niciodată pe bicicletă pe timp de noapte, fără iluminare adecvată. Nu acoperiți reflectoarele sau lumina din spate când utilizați scaunul pentru copil pe o bicicletă.

Prezența unui scaun de bicicletă pentru copil poate impune să vă modificați modul în care vă suiți pe bicicletă și modul

în care vă dați jos de pe aceasta. Acordați atenție suplimentară acestor operații.

Înainte de fiecare călătorie, asigurați-vă că scaunul pentru bicicletă nu afectează frânarea, pedalară sau direcția.

Utilizați centura întotdeauna și asigurați-vă că este fixată corect în jurul copilului. Asigurați-vă că centura și benzile de fixare nu se desprind și că nu ar putea prinde componente în mișcare, precum roțile. De asemenea, acest lucru este valabil și pentru situațiile în care utilizați bicicleta fără un copil așezat în scaun.

Asigurați-vă că hainele, încălțăminte, jucăriile sau părți ale copilului nu intră în contact cu orice componente în mișcare ale bicicletei, precum roțile, cablurile și arcurile șeii. Verificați aceste lucruri în mod regulat pe măsură ce copilul crește. Arcurile șeii pot fi acoperite cu o protecție pentru arcuri adecvată.

Asigurați-vă că nu există obiecte ascuțite la îndemâna copilului, de ex. cabluri uzate.

Copilul aflat în scaun are nevoie des de haine mai calde decât biciclistul. Pentru a vă proteja de ploi neașteptate, este înțelept să aveți îmbrăcăminte impermeabilă. Nu vă deplasați niciodată în condiții aspre sau periculoase, precum vremea de iarnă care poate provoca degerături copilului.

Verificați temperatura scaunului înainte de a așeza copilul, în special în zilele fierbinți, însoțite.

Scoateți scaunul pentru copil când transportați bicicleta pe un

automobil. Turbulențele pot afecta scaunul sau pot slăbi punctele de prindere, ceea ce poate duce la accidente.

Înainte de utilizare, verificați dacă există legi și reglementări naționale speciale pentru transportul unui copil într-un scaun pentru copil de bicicletă.

ÎNȚEȚINERE

Pentru a curăța scaunul pentru copil, utilizați doar apă cu săpun caldă. Pentru a curăța căptușeala, consultați instrucțiunile de spălare de pe aceasta.

Dacă orice parte a scaunului pentru copil este deteriorată sau ruptă, contactați cel mai apropiat dealer Thule.

AVERTISMENTE

Nu atașați bagaje sau echipamente suplimentare de scaunul pentru copil. Orice încărcătură suplimentară trebuie atașată de capătul din față al bicicletei.

Nu modificați produsul în niciun fel.

Bicicleta se poate comporta diferit cu un copil în scaun, în special în ceea ce privește echilibrul, direcția și frânarea.

Nu lăsați niciodată bicicleta parcată nesupravegheată când se află un copil în scaun.

Nu lăsați niciodată copilul în scaun când bicicleta este parcată și sprijinită de un stativ.

Nu utilizați scaunul dacă există componente rupte.

În cazul în care nu respectați instrucțiunile de siguranță, se poate ajunge la rănirea gravă sau la decesul copilului sau biciclistului.

RU ВНИМАНИЕ!

УСТАНОВКА

Храните это руководство в надежном месте после установки велосипедного сиденья. Оно может пригодиться вам в будущем.

Убедитесь в том, что на ваш велосипед можно установить данное детское сиденье. Если у вас есть вопросы, обратитесь к информации о вашем велосипеде или уточните их у дилера или производителя велосипеда.

Устанавливается только на раму. Сиденье подходит только для велосипедов с рамой диаметром 27,2–40 мм или с эллиптическими рамами 40x55 мм.

Не предназначено для установки на велосипеды с квадратными, треугольными или карбоновыми рамами. Максимальная ширина багажника 155 мм.

Найдите отметку центра тяжести и установите сиденье как можно ближе к передней части велосипеда. Желательно, чтобы эта отметка находилась перед осью заднего колеса, ни в коем случае она не должна находиться на расстоянии более 100 мм за точкой, расположенной над осью заднего колеса.

Убедитесь в том, что винты опоры крепко затянуты, и регулярно это проверяйте. Сиденье не

Thule RideAlong - Caution - Achtung

предназначено для использования на мопедах.

Для максимального комфорта и безопасности ребенка убедитесь, что сиденье не наклоняется вперед, позволяя ребенку соскальзывать. Желательно, чтобы спинка сиденья немного отклонялась назад.

Удостоверьтесь, что все части велосипеда исправно работают с закрепленным на велосипеде сиденьем.

ПРИМЕНЕНИЕ

Этот продукт предназначен для детей от 9 месяцев до 6 лет весом от 9 до 22 кг. Не перевозите в нем детей младшего возраста. Изделие предназначено только для детей, которые сидят достаточно уверенно, чтобы выдержать запланированную поездку на велосипеде. Посоветуйтесь с педиатром перед перевозкой детей младше одного года. Независимо от возраста ребенок должен уметь держать голову и находиться в шлеме подходящего размера. Обязательно проверяйте, чтобы ребенок не был тяжелее максимально разрешенного веса.

Перед каждым использованием проверяйте все винты, чтобы убедиться в надежности крепления детского сиденья к велосипеду.

Всегда надевайте защитные шлемы на себя и ребенка при перемещении. Не управляйте велосипедом ночью без должного освещения. Не закрывайте задние отражатели или фонари, когда используете детское сиденье.

Закрепленное на велосипеде детское сиденье может потребовать изменения привычного способа управления велосипедом. Уделите этому особое внимание.

Перед каждой поездкой убедитесь в том, что установленное сиденье не соприкасается с тормозами, педалями или рулем.

Всегда используйте крепление для ремней и убедитесь в том, что ремни застегнуты правильно. Убедитесь в том, что ремни безопасности и крепление для ног не ослабляются и не запутаются в подвижных частях велосипеда. Это также необходимо проверять, когда ребенка на сиденье нет.

Детская одежда, игрушки, обувь и части тела не должны соприкасаться с подвижными частями велосипеда, такими как колеса, тросы и пружины сиденья.

Проверьте это по мере роста ребенка. Пружины сиденья могут быть закрыты специальным покрытием.

Убедитесь в том, что в зоне доступа ребенка нет острых вещей.

Во время езды на велосипеде ребенку нужна теплая одежда. Чтобы защитить водителя и ребенка от неожиданного дождя, желательно предусмотреть водонепроницаемую одежду. Никогда не управляйте велосипедом при плохих погодных условиях.

Проверьте температуру сиденья до того, как посадите в него ребенка, особенно в жаркие солнечные дни.

Убирайте сиденье при транспортировке велосипеда на автомобиле. Воздушные потоки могут повредить сиденье или крепления, что может привести к несчастному случаю.

Перед использованием ознакомьтесь с национальными законами и правилами о перевозке ребенка в детском велосипедном сиденье.

ОБСЛУЖИВАНИЕ

Для чистки сиденья используйте только теплую мыльную воду. Для чистки подкладки см. специальные инструкции.

Если какая-либо часть сиденья повреждена или сломана, свяжитесь с ближайшим дилером Thule.

ПРЕДУПРЕЖДЕНИЯ

Не прикрепляйте дополнительный груз к детскому сиденью. Любую дополнительную нагрузку лучше крепить спереди или сзади велосипеда.

Не модифицируйте продукт. Велосипед с детским сиденьем может вести себя по-другому относительно балансирования, управления и торможения.

Не оставляйте велосипед без присмотра, когда ребенок находится на сиденье.

Не оставляйте ребенка на сиденье, когда велосипед припаркован и поддерживается только выдвинутой опорной подставкой.

Не используйте сиденье при малейшей его неисправности.

Несоблюдение инструкций по технике безопасности может привести к серьезным повреждениям или гибели ребенка или водителя.

SK POZNÁMKA!

INŠTALÁCIA

Po namontovaní cyklosedačky odložte túto príručku na bezpečnom mieste. V budúcnosti si ju možno budete potrebovať pozrieť vy alebo niekto iný.

Presvedčte sa, či je váš bicykel kompatibilný s touto detskou sedačkou. V prípade akýchkoľvek otázok si pozrite informácie dodané s bicyklom alebo sa spýtajte predajcu či výrobcu bicykla.

Sedačku montujte len na rám. Tento produkt je vhodný na rámy s okrúhlym prierezom veľkosti 27,2 - 40 mm a na rámy s eliptickým prierezom veľkosti max. 40 x 55 mm.

Nemôže sa montovať na rámy so štvorhranným alebo trojuholníkovým prierezom, ani na rámy z uhlíkových vlákien. Maximálna šírka nosiča na batožinu je 155 mm.

Nájdite stred značky vyváženia a sedačku namontujte čo najviac dopredu. Je vhodné, aby táto značka bola pred osou zadného kolesa, ale v žiadnom prípade nie viac ako 100 mm za bodom kolmo nad osou zadného kolesa.

Presvedčte sa, že skrutky svorky sú úplne utiahnuté, a pravidelne ich kontrolujte. Tento produkt nie je vhodný na používanie na mopede.

V záujme optimálneho pohodlia a bezpečnosti dieťaťa sa presvedčte, či sa sedačka nenakláňa dopredu a neumožňuje dieťaťu z nej vyklízať. Opierka chrbta by mala byť prednostne naklonená mierne dozadu.

Skontrolujte, či všetky časti bicykla fungujú pri namontovanej sedačke správne.

POUŽÍVANIE

Tento produkt je určený pre deti približne vo veku od 9 mesiacov do 6 rokov s hmotnosťou 9 - 22 kg. Neprepravujte dieťa, ktoré je príliš malé. Prevádzajte iba deti, ktoré dokážu sedieť samé dlhší čas, minimálne toľko, koľko trvá plánovaná cyklistická trasa. Prepravu dieťaťa mladšieho ako jeden rok vždy prekonzultujte najprv s lekárom. Nezávisle od veku musí dieťa pri nosení správne veľkej cyklistickej prilby vedieť udržať hlavu vzpriamenú. Pravidelne kontrolujte, či dieťa nepresahuje maximálnu hmotnosť.

Pred každým použitím skontrolujte všetky skrutky a uistite sa,

že je detská sedačka na bicykli bezpečne upevnená.

Presvedčte sa, že pri jazde nosíte vy aj vaše dieťa schválenú cyklistickú prilbu. Nikdy nejazdite na bicykli v noci bez primeraného osvetlenia. Pri používaní detskej sedačky na bicykli nikdy nezakrývajte zadné svetlá alebo odrazky.

Prítomnosť detskej cyklistickej sedačky môže vyžadovať, aby ste zmenili spôsob nastupovania z bicykel alebo vystupovania z neho. Venujte tomu dodatočnú pozornosť.

Pred každou jazdou sa presvedčte, či namontovaná cyklosedačka neovplyvňuje brzdenie, pedálovanie alebo riadenie.

Vždy používajte popruhy a dbajte na to, aby ste nimi dieťa správne pripúťali. Presvedčte sa, či popruhy na telo a popruhy na nohy nie sú príliš voľné alebo či nemôžu uviaznuť v pohyblivých častiach, napríklad kolesách. To platí aj vtedy, keď používate bicykel bez dieťaťa v sedačke.

Dbajte na to, aby sa oblečenie, obuv, hračky alebo časti tela dieťaťa nedostali do kontaktu so žiadnymi pohyblivými časťami bicykla, napríklad kolesami, lankami a pružinami sedadla. Vzhľadom na rast dieťaťa to pravidelne kontrolujte. Pružiny sedadla možno zakryť vhodnými krytmi pružín.

Dbajte na to, aby sa v dosahu dieťaťa nenachádzali žiadne ostré predmety, napríklad rozstrapkané lanká.

Dieťa, ktoré sedí v sedačke, často potrebuje teplejšie oblečenie ako jazdec. Na ochranu pred nečakaným dažďom je vhodné mať so sebou nepremokavé oblečenie. Nikdy nejazdite v nevhodných alebo nebezpečných podmienkach, napríklad v chladnom počasí, ktoré by mohlo dieťaťu spôsobiť omrzliny.

Pred posadením dieťaťa skontrolujte teplotu sedačky, najmä v horúcich slnečných dňoch.

Pri prevoze bicykla na vozidle odstráňte detskú sedačku. Turbulencia vzduchu môže poškodiť sedačku alebo uvoľniť jej upevnenie, čo by mohlo mať za následok nehodu.

Pred použitím si overte, či neexistujú štátne zákony a nariadenia týkajúce sa prepravy dieťaťa v detskej cyklosedačke.

Thule RideAlong - Caution - Achtung

ÚDRŽBA

Detskú sedačku čistite len vlažnou saponátovou vodou. Ak chcete vyčistiť poťah, pozrite si pokyny týkajúce sa prania na poťahu.

Ak je niektorá časť detskej sedačky poškodená alebo zlomená, kontaktujte najbližšieho predajcu produktov Thule.

UPOZORNENIA

K detskej sedačke nepripájajte ďalšiu batožinu ani príslušenstvo. Akýkoľvek ďalší náklad je najvhodnejšie pripevniť na prednú stranu bicykla.

Produkt žiadnym spôsobom neupravujte.

Bicykel sa môže s dieťaťom v sedačke správať odlišne, najmä čo sa týka rovnováhy, riadenia a brzdenia.

Nikdy nenechávajte bicykel odstavený bez dozoru, keď je dieťa v sedačke.

Nikdy nenechávajte dieťa v sedačke, keď je bicykel odstavený a podporený len stojanom.

Sedačku nepoužívajte, ak je niektorá jej časť zlomená.

Nedodržanie bezpečnostných pokynov môže viesť k vážnemu zraneniu alebo úmrtiu dieťaťa alebo jazdca.

SL POZOR!

NAMESTITEV

Ko je otroški sedež varno nameščen in pritrjen na kolo, shranite priročnik, saj ga boste vi ali pa kdo drug morda še kdaj potrebovali.

Prepričajte se, ali ta otroški sedež ustreza vašemu modelu kolesa. V primeru, da imate pomisleke, se posvetujte s prodajalcem oziroma proizvajalcem vašega kolesa.

Kolesarski prtljažnik pritrjujte na okvir. Ta izdelek ustreza okroglim okvirjem s premerom od 27,2 do 40 mm (1,07-1,57") in elipsastim okvirjem z merami največ 40 x 55 mm (1,57 x 2,16").

Ni ga mogoče pritrčiti na kolesa s kvadratnimi ali trikotnimi okvirji ali okvirji iz ogljikovih vlaken. Največja širina prtljažnika je 155 mm (6,10").

Poiščite oznako težišča (18) in sedež namestite čim bolj naprej. Če je mogoče, naj bo ta oznaka pred osjo zadnjega obročnika, vendar nikakor več kot 100 mm (3,94") za točko, ki je navpično nad osjo zadnjega obročnika.

Skrbite, da so vijaki kolesarskega prtljažnika trdno priviti, in jih redno preverjajte. Ta izdelek ni primeren za uporabo na mopedu.

Za optimalno udobje in varnost otroka se prepričajte, da sedež ni nagnjen naprej, saj lahko otrok zdrsne z njega. Najbolje je, da je naslonjalo nagnjeno rahlo nazaj.

Preverite, ali vsi deli kolesa delujejo pravilno, tudi kadar je nameščen sedež.

UPORABA

Ta izdelek ustreza otrokom starosti od 9 mesecev do 6 let, težkim od 9 do 22 kg. Ne prevažajte premajhnega otroka; če nameravate prevažati otroka, mlajšega od 1 leta, se pred tem obvezno posvetujte s pediatrom. Primerno samo za otroke, ki lahko sedijo brez pomoči dlje časa oziroma toliko, kolikor traja načrtovana pot s kolesom. Ne glede na starost mora biti otrok dovolj razvit, da brez težav drži pokonci glavo s čelado na glavi, saj mora med prevozom nositi čelado ustrezne velikosti. Redno preverjajte, ali otrok presega največjo dovoljeno težo.

Pred vsako uporabo preverite privitost vseh vijakov, da bo otroški sedež trdno nameščen na kolesu.

Med vožnjo s kolesom morate vi in otrok nositi ustrezno kolesarsko čelado. Nikoli ne vozite kolesa ponoči brez ustreznih svetil. Preverite, da zadnji odsevniki ali zadnje luči niso prekrite, tudi kadar je na kolo pritrjen otroški sedež.

Opozarjamo vas, da bodite posebno pozorni na to, kako dostopate na kolo in sestopate z njega, kadar je v sedežu otrok.

Pred vsako vožnjo preverite, da pritrjen otroški sedež ne ovira zaviranja, vrtenja pedal ali krmiljenja.

Vedno uporabljajte varnostni pas in se prepričajte, da je otrok pravilno prepasan v sedežu. Varnostni pas in pasovi za noge ne smejo biti nameščeni ohlapno, da se ne zataknejo med premikajočo se dele, kot so kolesa. To velja tudi, če v sedežu ni otroka. Prepričajte se, da se otrok, njegova

obleka, övning, ali igrače ne dotikajo premikajočih se delov ali drugih nevarnih delov kolesa, kot so npr. napere, vzmeti, žice. To preverjajte redno, ker otrok raste. Vzmeti sedeža lahko prekrijete s primernim ščitnikom. Pazite, da v otrokovem dosegu ni ostrih predmetov!

Otrok, ki sedi v sedežu, potrebuje toplejša oblačila kot kolesar. Da bi tako sebe kot otroka zaščitili pred nepričakovanim dežjem, nosite s seboj nepremočljivo obleko. Nikoli ne vozite v nevarnih pogojih, kot je hladnejše vreme, zaradi katerega otrok lahko dobi ozeblino.

Preverite toploto sedeža, preden posedete otroka, še posebej v vročih poletnih dneh.

Pred prevozom kolesa na avtomobilu odstranite otroški sedež! Zračni vrtinci lahko poškodujejo sedež ali zrahljajo vezi, kar lahko povzroči nesrečo.

Pred uporabo otroškega sedeža na kolesu preverite predpise in jih upoštevajte pri prevozu otroka v otroškem kolesarskem sedežu.

VZROŠKI SEDEŽ

Otroški sedež čistite z mlačno milnico. Za čiščenje podloge upoštevajte navodila za pranje, ki so všita v podlogo.

V primeru, da je katerikoli del otroškega sedeža poškodovan, ali zlomljen, se obrnite na najbližjega prodajalca Thule.

OPOZORILA

Na otroški sedež ne pritrjujte dodatne prtljage ali opreme. Kakršno koli dodatno breme pritrdite na sprednji del kolesa.

Izdelka ne spreminjajte na noben način.

Z otrokom v sedežu in upravljanje kolesa spremenjeno in oteženo, zlasti pri ravnotežju, krmiljenju in zaviranju.

Če je otrok v sedežu, nikoli ne puščajte kolesa brez nadzora.

Otroka nikoli ne puščajte v sedežu, kadar je kolo parkirano.

Ne uporabljajte sedeža, če je katerikoli del poškodovan.

Nedosledno upoštevanje varnostnih navodil, lahko pripelje do resnih poškodb, ali celo smrti otroka ali kolesarja.

SV OBSERVERA!

INSTALLATION

Spara den här handboken när du har monterat barnsätet på din cykel. Den kan kanske behövas vid ett senare tillfälle.

Kontrollera att det här barnsätet kan monteras på din cykel. Läs den information som medföljde din cykel om du har några frågor. Du kan även kontakta cykelhandlaren eller cykeltillverkaren för att få svar på dina frågor.

Montera endast beslaget på cykelns ram. Den här produkten passar runda ramar med diametern 27,2–40 mm och ovala ramar med maxmåtten 40 × 55 mm.

Barnsätet kan inte monteras på cykelramar med tre- eller fyrkantiga ramrör eller på cyklar med kolfiberramar. Barnsätet kan inte monteras på pakethållare som är bredare än 155 mm.

Identifiera tyngdpunktsmarkeringen och montera sätet så långt fram som möjligt. Markeringen bör vara placerad framför bakhjulets axel, men får under inga omständigheter placeras mer än 100 mm bakom bakhjulets axel.

Kontrollera regelbundet att skruvarna som fäster beslaget i cykelramen är ordentligt åtdragna. Den här produkten är inte lämplig att använda på en moped.

Kontrollera att sätet inte lutar framåt, vilket kan orsaka att barnet sitter obekvämt eller kan glida ur sätet. Ryggstödet bör helst luta något bakåt.

Kontrollera att samtliga delar på cykeln fungerar korrekt när barnsätet är monterat.

ANVÄNDNING

Den här produkten är godkänd för barn från cirka 9 månader till 6 år med vikten 9–22 kg. Placera inte ett för litet barn i barnsätet och konsultera en barnläkare innan barn yngre än ett år använder barnsätet. Placera endast barn som kan sitta utan uppsikt under en längre tid, åtminstone så länge som cykelturen varar. Barnet måste, oberoende av ålder, självt vara starkt nog att kunna hålla upp huvudet vid användning av en cykelhjälm i lämplig storlek. Kontrollera regelbundet att barnet inte väger mer än den rekommenderade maxvikten.

Kontrollera samtliga skruvar

Thule RideAlong - Caution - Achtung

och försäkra dig om att barnsäten är ordentligt fäst i cykeln före varje användning.

Var noga med att både du själv och barnet alltid använder godkända cykelhjälmar. Cykla aldrig utan tillräcklig belysning monterad på cykeln. Kontrollera att de bakre reflexerna inte är övertäckta när barnsätet är monterat på en cykel.

Du måste kanske ändra ditt sätt att kliva på och av cykeln när du använder ett barnsäte. Det är viktigt att tänka på hur du ska göra detta.

Innan du börjar cykla bör du varje gång kontrollera att barnsätet inte hindrar någon viktig funktion på cykeln, till exempel dess bromsar eller styrning, eller möjligheten att trampa ordentligt.

Använd alltid selen och var noga med att spänna fast barnet ordentligt. Kontrollera att selen och fotbanden sitter fast i barnsätet och inte kan fastna i några rörliga delar, till exempel cykelns hjul. Det är lika viktigt att kontrollera detta även när inget barn sitter i sätet.

Kontrollera att barnets kläder, skor, leksaker eller kroppsdelar inte kommer i kontakt med några av cykelns rörliga delar, till exempel dess hjul, kablar eller sadelfjädrar. Gör dessa kontroller regelbundet i takt med att barnet växer. Cykelns sadelfjädrar kan täckas över med lämpliga fjäderskydd.

Kontrollera att inga vassa delar, till exempel fransade kablar, finns inom räckhåll för barnet.

Barnet i barnsätet behöver oftast ha varmare kläder än cyklisten. Det kan även vara praktiskt att använda vattentäta kläder som skydd mot oväntade regnskuror. Cykla aldrig i kyligt eller farligt väder, till exempel kallt väder som kan

orsaka att barnet får frostsador.

Kontrollera barnsätets temperatur, framförallt under varma och soliga dagar, innan du placerar barnet i sätet.

Låt aldrig barnsätet sitta kvar på cykeln när du transporterar den på en bil. Luftströmmarna runt bilen kan skada barnsätet eller orsaka att det inte längre sitter fast lika väl i cykeln, vilket i sin tur kan ge upphov till olyckor.

Innan du använder barnsätet bör du kontrollera om det finns några nationella lagar eller regler som gäller transporter av barn i cykelsäten.

UNDERHÅLL

Använd endast ljummet tvålsvatten när du rengör barnsätet. Tvättråd för sittdynan finns på dynan. Kontakta närmaste Thule-återförsäljare om någon del av barnsätet skadas eller går sönder.

VARNINGAR

Fäst inte extra bagage eller utrustning i barnsätet. Extra last bör fästas på cykelns främre del.

Ändra inte produkten på något sätt.

Cykeln kan få förändrade köregenskaper med ett barn i barnsätet, framförallt vad gäller balansen, styrningen och inbromsningar.

Lämna aldrig cykeln utan uppsikt när den är parkerad och det sitter ett barn i barnsätet.

Lämna aldrig barnet i barnsätet när cykeln är parkerad och endast vilar på sidostödet.

Använd inte barnsätet om någon av dess delar är trasiga.

Om säkerhetsanvisningarna inte följs kan cyklisten eller barnet drabbas av allvarliga skador eller dödsfall.

TH อายาลิม

การติดตั้ง

ให้แน่ใจว่าเก็บคู่มือไว้ในสถานที่ที่ปลอดภัยหลังจากติดตั้งเก้าอี้จักรยาน คุณหรือผู้ใช้คนอื่น ๆ อาจต้องใช้อุปกรณ์ในอนาคต

ตรวจสอบให้แน่ใจว่าใช้จักรยานกับเก้าอี้เด็กตัวนี้ได้ หากมีค่าตามใดๆ โปรดตรวจสอบข้อมูลที่ใหญ่กว่าจักรยาน หรือสอบถามตัวแทนจำหน่ายหรือผู้ผลิตจักรยาน ติดตั้งกับเฟรมเท่านั้น ผลลัพธ์ที่เหมาะสมกับเฟรมทรงกลม ที่มีเส้นผ่านศูนย์กลาง 27.2-40 มม. (1.07-1.57") และเฟรมทรงรี ขนาดไม่เกิน 40x55 มม. (1.57x2.16")

ไม่สามารถติดตั้งกับจักรยานที่มีเฟรมสี่เหลี่ยม สามเหลี่ยม หรือคาร์บอนไฟเบอร์ได้ ความกว้างสูงสุดของตะแกรงท้ายใส่สัมภาระคือ 155 มม. (6.10")

กำหนดตำแหน่งศูนย์กลางของเครื่องหมายแรงโน้มถ่วง และติดตั้งเก้าอี้ไปทางด้านหน้าให้มากที่สุดเท่าที่ทำได้ ปกติแล้วเครื่องหมายนี้ควรอยู่ในตำแหน่งทางด้านหน้าของแกนล้อหลัง แต่ห้ามอยู่หลังเส้นแนวตั้งฉากของแกนล้อหลังเกินกว่า 100 มม. (3.94")

ตรวจสอบให้แน่ใจว่าชั้นสกรูขายึดแน่นเต็มที่ และต้องตรวจสอบเป็นประจำ ผลลัพธ์ที่ไม่เหมาะสมกับจักรยานขนาดเล็กร เพื่อความสะดวกสบายและความ

ปลอดภัยสูงสุดของตัว ให้แน่ใจว่าเก้าอี้ไม่ไถลลาดเอียงไปข้างหน้า มิฉะนั้นเด็กเลื่อนอาจเลื่อนหลุดได้ โดยที่พนักพิงควรลาดเอียงไปข้างหลังเล็กน้อย

ตรวจสอบว่าทุกส่วนของจักรยานทำงานได้อย่างถูกต้องเมื่อมีการติดตั้งเก้าอี้

การใช้งาน

ผลิตภัณฑ์นี้ได้รับการรับรองให้ใช้กับเด็กอายุตั้งแต่ 9 เดือนถึง 6 ปี น้ำหนัก 9-22 กก. (20-48.5 ปอนด์) สำหรับเด็กที่สามารถนั่งคนเดียวได้เป็นเวลานานเท่านั้น หรือยานออคตราบเท่าที่การเดินทางตามรอบที่ตั้งใจไว้ ห้ามบรรทุกเด็กที่ยังเล็กเกินไป และควรปรึกษากุมารแพทย์ก่อนใช้รับส่งเด็กอายุน้อยกว่า 1 ปี เด็กต้องสามารถยกศีรษะตั้งตรงได้ในขณะที่สวมหมวกกันน็อคจักรยานที่มีขนาดเหมาะสม ตรวจสอบเป็นประจำว่าเด็กหนักไม่เกินน้ำหนักสูงสุด

ก่อนการใช้งานทุกครั้ง ตรวจสอบจุดสรุปทั้งหมดเพื่อให้แน่ใจว่าเก้าอี้เด็กได้ยึดติดกับจักรยานอย่างแน่นหนา

ในระหว่างขี่จักรยาน ตรวจสอบให้แน่ใจว่าทั้งคุณและเด็กใส่หมวกกันน็อคที่ผ่านการรับรอง ห้ามขี่จักรยานในเวลากลางคืนโดยไม่มีแสงสว่างเพียงพอ อย่าปิดคลุมแผ่นสะท้อนแสงด้านหลังหรือไฟท้ายเมื่อใช้เก้าอี้เด็กบนจักรยาน

เก้าอี้จักรยานเด็กที่ติดตั้งอยู่อาจทำให้คุณต้องเปลี่ยนวิธีขึ้นลงรถจักรยาน โปรดสนใจเรื่องนี้เป็นพิเศษ

ก่อนการขึ้นแต่ละครั้ง ให้แน่ใจว่าเก้าอี้จักรยานที่ติดตั้งไว้ไม่โดนบริเวณการเบรก การถีบ หรือการบังคับเสีย

ให้ใส่สายรัดนิรภัยเสมอ และต้องแน่ใจว่ายึดสายรัดเข้ากับตัวเด็กอย่างถูกต้อง ตรวจสอบว่าสายรัดนิรภัยและสายรัดเท้ามูลม หรือไม่ปิดทับชิ้นส่วนเคลื่อนไหว เช่น ล้อ นอกจากนี้คำแนะนำยังใช้ได้กับการขี่จักรยานโดยไม่มีเก้าอี้

ให้แน่ใจว่าเสื้อผ้า รองเท้า ของเล่น หรือส่วนของร่างกายของเด็กไม่ไปติดกับชิ้นส่วนเคลื่อนไหวของจักรยาน เช่น ล้อ สายไฟ และสปริงไดอาน ตรวจสอบเรื่องนี้อย่างสม่ำเสมอตามการเติบโตของเด็ก สปริงไดอานสามารถเปิดครอบได้ด้วยฝ่ามือบดกัน สปริงที่เหมาะสม

ตรวจสอบให้แน่ใจว่าเก้าอี้มีเข็มขัดนิรภัยสำหรับเด็ก เช่น สายเคเบิลที่เปื่อยขาด

ปกติแล้วเสื้อผ้าของเด็กที่นั่งในเก้าอี้จะต้องอบอุ่นกว่าเสื้อผ้าของผู้ขี่จักรยาน ควรหลีกเลี่ยงน้ำไปตวยเพื่อป้องกันทั้งเด็กและผู้ขี่ไม่ให้เปียกฝนที่อาจตกอย่างไม่คาดคิด ห้ามขี่จักรยานในสภาวะที่ไม่เอื้ออำนวยหรือเป็นอันตราย เช่น สภาพอากาศหนาวเย็นที่อาจทำให้เด็กเป็นหวัด

ตรวจสอบอุณหภูมิของเก้าอี้ก่อนให้เด็กนั่ง โดยเฉพาะอย่างยิ่งในวันแดดร้อนจัด

ให้เอาเก้าอี้เด็กออกเมื่อขึ้นจักรยานขึ้นหลังคาร์ล สภาพอากาศที่ปั่นป่วนอาจทำให้เก้าอี้เสียหายหรือคล้ายสิ่งที่ยึดอยู่ ซึ่งส่งผลให้เกิดอุบัติเหตุได้

ก่อนใช้ให้ตรวจสอบว่า มีกฎหมายและกฎระเบียบภายในประเทศที่เฉพาะเจาะจงใดๆ เกี่ยวกับการบรรทุกเด็กในเก้าอี้เด็กบนจักรยานหรือไม่

การบำรุงรักษา

ในการทำความสะอาดเก้าอี้เด็ก ให้ใช้เฉพาะน้ำสบู่อ่อนๆ เท่านั้น ส่วนการทำความสะอาดแผ่นรอง โปรดดูคำแนะนำการซักล้างในส่วนของแผ่นรอง หากชิ้นส่วนของเก้าอี้เด็กชำรุดหรือเสียหาย โปรดติดต่อตัวแทนจำหน่าย Thule ที่ใกล้ที่สุด

คำเตือน

ไม่ควรติดกระเป๋าทันหรืออุปกรณ์เสริมเข้ากับเก้าอี้เด็ก สิ่งของที่จะบรรทุกเพิ่มควรคิดว่าที่สวนด้านหน้าของจักรยานจะเหมาะสมที่สุด ห้ามดัดแปลงแก้ไขผลิตภัณฑ์ไม่ว่าในกรณีใด

ลักษณะการเคลื่อนไหวของจักรยานอาจแตกต่างไปจากเดิม เมื่อมีเด็กนั่งอยู่ในเก้าอี้ โดยเฉพาะอย่างยิ่งเกี่ยวกับการทรงตัว การบังคับเสีย และการเบรก ห้ามจอดรถจักรยานที่มีเด็กอยู่ในเก้าอี้ทั้งไว้โดยไม่มีการดูแล

ห้ามปล่อยให้เด็กอยู่ในเก้าอี้เมื่อจอดจักรยานและขึ้นขาตั้งไว้

อย่าใช้เก้าอี้ถ้ามีส่วนหนึ่งส่วนใดเสียหาย การไม่ปฏิบัติตามคำแนะนำด้านความปลอดภัยอาจทำให้เด็กหรือผู้ขี่ได้รับบาดเจ็บสาหัสหรือเสียชีวิต

TR NOT!

Montaj

Bisiklet koltuğunu monte ettikten sonra bu kullanımı kilavuzunu güvenli bir yerde saklayın. Siz ya da diğer kullanıcılar gelecekte başvurmak amacıyla buna ihtiyaç duyabilirsiniz.

Bisikletinizin bu çocuk koltuğuyla uyumlu olduğundan emin olun. Herhangi bir sorunuz olursa, lütfen bisikletle birlikte verilen bilgileri kontrol edin veya bisiklet satıcısına ya da üreticisine sorun.

Sadece kadroya monte edin. Bu ürün, çapı 27,2-40 mm (1,07-1,57 inç) olan dairesel ve maks. 40x55 mm (1,57x2,16 inç) olan eliptik kadrolara uyur.

Kare, üçgen veya karbon fiber kadrolu bisikletlere monte edilemez. Bagaj taşıyıcısının maksimum genişliği 155 mm'dir (6,10 inç).

Ağırlık merkezini belirleyin ve koltuğu olabildiğince ileriye doğru monte edin. Tercihen bu işaret arka tekerlek ekseninin önünde olabilir, ancak hiçbir durumda arka tekerlek ekseninin üstünde, buna dik bir noktanın 100 mm'den (3,94 inç)

Thule RideAlong - Caution - Achtung

daha fazla arkasına arkasına olmamalıdır.

Bağlantı parçası vidalarının tamamen sıkılı olduğundan emin olun ve bunları düzenli olarak kontrol edin. Bu ürün motorlu bisiklet üzerinde kullanım için uygun değildir.

Çocuğun en yüksek seviyede konforu ve güvenliği için, çocuğun koltuktan dışarıya doğru kaymasına neden olacak şekilde koltuğun ileriye doğru eğilmemesini sağlayın. Tercihen arka hafifçe geriye doğru eğilmelidir.

Bisikletin tüm parçalarının monte edilen koltukla birlikte doğru şekilde işleyip işlemediğini kontrol edin.

KULLANIM

Bu ürün, 9 ila 22 kg (20 ila 48,5 lbs) ağırlığındaki, 9 aylıktan 6 yaşa kadar çocuklar için onaylıdır. Bu ürünü kullanarak belirtilen yaştan daha küçük bir çocuğu taşımayın ve her zaman için 1 yaşından daha küçük bir çocuğu taşımadan önce çocuk doktorunuza danışın. Yalnızca, en azından yapılması düşünülen seyahat boyunca olmak üzere, daha uzun süre gözetimsiz biçimde kendi başına oturabilecek çocukları taşımak için kullanın. Çocuk, hangi yaşta olursa olsun, doğru boyuta sahip bir bisiklet kaskı giyerken başını yukarıda tutabiliyor olmalıdır. Çocuğun maksimum kiloyu aşım aşmadığını düzenli olarak kontrol edin.

Her kullanımdan önce çocuk koltuğunun bisiklete güvenli bir biçimde bağlandığından emin olmak için tüm vidaları kontrol edin.

Bisiklet sürüşü sırasında, hem kendinizin hem de çocuğunuzun onaylı bir bisiklet kaskı giydiğinden emin olun. Yeterli ışıklandırma olmadan geceleri asla bisiklet kullanmayın. Bir bisiklet üzerinde çocuk koltuğu kullanırken arka reflektörlerin veya arka ışığın üstünü kapatmayın.

Bir çocuk bisiklet koltuğunun varlığı, bisiklete binme/bisikletten inme şeklinizi değiştirmenizi gerektirebilir. Lütfen buna çok dikkat edin.

Her sürüş öncesi, monte edilmiş bisiklet koltuğunun frene, pedallara veya gidona engel olmadığından emin olun.

Her zaman emniyet kemeri kullanın ve bunu çocuğun etrafından doğru şekilde geçireceğinize emin olun. Emniyet kemerinin ve ayak kayışlarının gevşek olmadığına veya tekerlekler gibi hareketli

parçalara sıkışmayacağına emin olun. Bu uyarı, koltukta bir çocuk olmadan bisiklet kullanırken de geçerlidir.

Çocuğun kıyafetlerinin, ayakkabılarının, oyuncaklarının veya vücut bölümlerinin tekerlekler, teller ve sele yayları gibi bisikletin herhangi bir hareketli parçasıyla temas etmediğinden emin olun. Bu durumu çocuk büyüdükçe düzenli olarak kontrol edin. Sele yayları uygun bir yay koruyucu ile kaplanabilir.

Çocuğun erişim alanı içinde aşınmış kablolar gibi keskin nesnelere olmadığına emin olun.

Oturan çocuk, sürücüyü göre daha sıcak tutan giysilere ihtiyaç duyar. Her ikisinin de ani yağmurdan korunması için, su geçirmeyen kıyafet taşınması uygun bir davranıştır. Çocuğun donma etkisinden zarar görebileceği çok soğuk hava koşullarında veya tehlikeli şartlarda bisiklete asla binmeyin.

Çocuğu oturtmadan önce, özellikle sıcak, güneşli günlerde koltuğun sıcaklığını kontrol edin.

Bisikleti bir arabada taşıırken çocuk koltuğunu çıkarın. Hava türbülansı koltuğa zarar verebilir veya koltuğun başını gevşeterek, bir kazaya sebebiyet verebilir.

Kullanmadan önce, bisiklet çocuk koltuğunda bir çocuğun taşınması ile ilgili olarak, herhangi bir ulusal yasa ve yönetmelik olup olmadığını kontrol edin.

BAKIM

Çocuk koltuğunu temizlemek için sadece ılık, sabunlu su kullanın. Koltuk minderini temizlemek için, koltuk minderini üzerindeki yıkama talimatlarına bakın.

Çocuk koltuğunun herhangi bir bölümü zarar görürse veya kırılırsa, lütfen size en yakın Thule satıcısıyla bağlantıya geçin.

UYARILAR

Çocuk koltuğuna fazladan yük veya ekipman koymayın. Herhangi bir ek yükün eklenebileceği en uygun yer, bisikletin ön ucudur.

Ürün üzerinde hiçbir şekilde değişiklik yapmayın.

Bisiklet, koltukta bir çocuk varken özellikle denge, yönlendirme ve fren yapma bakımından farklı şekilde hareket edebilir.

Yanında kimse yokken, bisikleti koltuğunda bir çocukla asla bırakmayın.

Бісиклет park durumdа ve sadece park durumunda ve sadece bisiklet çatallıyla desteklenirken, çocuğu asla koltukta bırakmayın.

Herhangi bir parçası bozuk veya kırık durumda olan koltuğu kullanmayın.

Güvenlik talimatlarına uyulmaması, çocuğun veya sürücünün ciddi olarak yaralanmasına veya ölmesine neden olabilir.

UK ВНИМАНИЕ!

УСТАНОВЛЕННЯ

Установивши велосипедне крісло, зберігайте цей посібник користувача в безпечному місці. Він може знадобитися вам у майбутньому.

Переконайтеся, що це дитяче крісло підходить для вашого велосипеда. Якщо виникнуть запитання, перегляньте документацію до велосипеда або зверніться до постачальника чи виробника транспортного засобу.

Призначено для установки лише на раму. Це крісло придатне для круглих рам діаметром 27,2-40 мм і овальних рам із максимальним розміром 40x55 мм.

Не можна встановлювати на велосипеди з квадратними, трикутними або карбоновими рамами. Максимальна допустима ширина багажника – 155 мм.

Знайдіть позначку центра ваги та встановіть крісло якомога ближче наперед. Найкраще, коли ця позначка розташована перед віссю заднього колеса або не більше, ніж на 100 мм за нею.

Переконайтеся, що гвинти затягнуто до кінця, і регулярно їх перевіряйте. Це крісло не можна використовувати на мопедах. Для повноцінного комфорту й безпеки вашої дитини переконайтеся, що крісло не нахилене вперед і дитина не сповзає з нього. Найкраще, коли спинку злегка нахилено назад.

Установивши крісло, перевірте, чи належно працюють із ним усі частини велосипеда.

ВИКОРИСТАННЯ

Крісло призначене для дітей віком від 9 місяців до 6 років і вагою 9-22 кг. Не возіть у ньому немовлят і завжди консультируйтеся з педіатром, перш ніж перевозити в кріслі дитину віком до 1 року. Перевозити можна лише дітей, які можуть без сторонньої допомоги перебувати в сидячому положенні протягом тривалого періоду часу (принаймні впродовж запланованої поїздки). Незалежно від віку дитина повинна вміти тримати голову. Крім того,

одягайте їй велосипедний шолом правильного розміру. Регулярно перевіряйте, чи вага дитини не перевищила максимальне значення. Перед кожним використанням перевіряйте всі гвинти, щоб переконалися, що крісло надійно закріплено на велосипеді.

Під час їзди завжди вдягайте схвалені велосипедні шоломи – на себе та свою дитину. Ніколи не виїжджайте на велосипеді вночі без належних освітлювальних пристроїв. Не закривайте задні світловідбивачі або задні фари, коли використовуєте на велосипеді дитяче крісло.

Після установки дитячого велосипедного крісла вам, можливо, доведеться по-іншому сідати на велосипед і злізати з нього. Зверніть на це особливу увагу.

Перед кожною поїздкою перевіряйте, чи не заважає велосипедне крісло гальмувати, крутити педалі та керувати.

Завжди користуйтеся ременями безпеки, правильно застібаючи їх на дитині. Перевіряйте, чи ремені безпеки та фіксатори для ніг добре закріплено, щоб часом вони не потрапили в рухомі частини, наприклад у колеса. Це потрібно робити навіть тоді, коли дитини в кріслі немає.

Переконайтеся, що одяг, взуття, іграшки або частини тіла дитини не торкаються жодної рухомої частини велосипеда, наприклад коліс, тросиків і сидельних пружин. Регулярно перевіряйте це в міру зростання дитини. На сидельні пружини можна надягти спеціальні чохли.

Переконайтеся, що дитина не зможе дотягнутися до гострих предметів, наприклад до зношених кабелів.

Дітей, які сидять у кріслі, часто потрібно вдягати тепліше за того, хто везе. Щоб захистити себе та свою дитину від неочікуваного дощу, радимо мати з собою водонепроникний одяг. Ніколи не виїжджайте за несприятливих погодних умов, наприклад у холодну погоду, щоб дитина не перемерзла або не обморозилася.

Thule RideAlong - Caution - Achtung

Перевіряйте температуру поверхні крісла, перш ніж садити в нього дитину, особливо в сонячні та спекотні дні.

Знімайте дитяче крісло, коли перевозите велосипед на автомобілі. Сильний потік повітря може завдати кріслу шкоди або ослабити його кріплення, що може призвести до нещасного випадку.

Перед використанням перевірте, чи є у вашій країні закони та правила перевезення дітей у велосипедних дитячих кріслах.

ТЕХНІЧНЕ ОБСЛУГОВУВАННЯ

Очищуйте дитяче крісло лише злегка теплою водою з милом. Інформацію про прання подушки дивіться на ярлику на самому виробі.

Якщо якусь частину дитячого крісла пошкоджено або зламано, зверніться до найближчого дилера Thule.

ПОПЕРЕДЖЕННЯ

Не прикріплюйте додатковий багаж або обладнання до дитячого крісла. Будь-який додатковий вантаж краще розмістити на передній частині велосипеда.

Не змінюйте продукт у жоден спосіб.

З дитиною у кріслі керування велосипедом може відрізняться, особливо це стосується рівноваги, керування та гальмування.

Ніколи не залишайте велосипед без нагляду з дитиною в кріслі.

Ніколи не залишайте дитину в кріслі, припаркувавши та сперши велосипед на підніжку.

Не використовуйте крісло зі зламаними деталями.

Недотримання правил безпеки може призвести до тяжкого травмування або смерті дитини чи керманіча.

ZH 注意!

安装

自行车座椅安装完成后, 请妥善保管本手册, 以供您或其他用户将来使用。

请确保您的自行车与该款儿童座椅可以配合使用。如有任何问题, 请查看自行车随附信息, 或者咨询自行车经销商或制造商。

仅可以安装于自行车架。该产品适合直径为 27.2-40 毫米 (1.07-1.57 英寸) 的圆形车架和椭圆形车架 (最大 40x55 毫米/1.57x2.16 英寸)。

请勿安装于车架为方形、三角形或碳纤维的自行车上使用。行李架的最大宽度为 155 毫米 (6.10 英寸)。

确定重心标志中心, 座椅安装位置尽可能靠前。重心标志最好位于后轮车轴之前, 切勿向后超过后轮车轴垂直点 100 毫米 (3.94 英寸)。

请确保托座螺丝完全拧紧, 并进行定期检查。本产品不适合用于电动自行车。

出于舒适度和安全性考虑, 请勿使座椅前倾, 以免小孩滑出。靠背最好稍微向后倾斜。

安装座椅后, 检查自行车所有部件是否能正常运行。

使用

本产品经过批准, 适合年龄在 9 个月到 6 岁、体重为 9-22 千克 (20-48.5 磅) 的小孩使用。"只适用于携带能独立坐较长时间的儿童, 时间至少应长于计划的骑行旅程。" 请勿驮带年纪太小的婴幼儿, 在驮带小于 1 岁的婴幼儿之前, 请始终咨询儿科学医生。无论年纪, 小孩必须已

经能够抬头, 且能够戴尺寸合适的自行车头盔。请定期检查小孩是否超过了最大重量限制。

每次使用前, 请检查所有螺丝, 确保儿童座椅已牢固地固定到自行车上。

骑车过程中, 请确保您和小孩都戴了质量合格的自行车头盔。切勿在光线不足的夜晚骑车。自行车上安装了儿童座椅时, 请勿遮盖后视镜或尾灯。

请特别注意, 安装了儿童自行车座椅之后, 可能需要您改变上下自行车的方式。

骑自行车之前, 务必确保安装的自行车座椅不会妨碍刹车、蹬车或转向。

请始终使用安全带, 并确保安全带正确地牢系于孩子身上。确保安全带和脚袂没有松弛, 并且不会绞入车轮等可动部件, 即使座椅中没有小孩, 使用自行车时亦应如此。

确保小孩的衣服、鞋子、玩具或身体部位不会接触车轮、辐条、车座弹簧等自行车的任何可动部件。随着小孩的成长, 请对此进行定期检查。车座弹簧可以使用合适的弹簧护板加以遮盖。

确保小孩触手可及范围之内没有尖锐物体, 如磨损的线缆等。

座椅中的小孩通常比骑乘人员更需要保暖。为免受意外雨淋, 建议携带雨衣。切勿在严寒或恶劣天气骑乘, 因为寒冷天气会导致小孩遭受冻伤。将小孩放入座椅之前, 请检查座椅温度, 在炎热、晴朗的天气尤其需要如此。

使用汽车运输自行车时, 请拆除儿童座椅。路途颠簸可能会损坏座椅, 或致其连接处变松, 这会导致事故发生。

使用座椅之前，了解是否有专门针对使用儿童自行车座椅驮带儿童的任何国家/地区法律法规。

维护

只能使用微温肥皂水清洗儿童座椅。有关如何清洗衬垫，请参阅衬垫洗涤说明。

如果儿童座椅有任何部件受损或已损坏，请联系离您最近的拓乐经销商。

警告

请勿在儿童座椅上附加额外行李或设备。额外负载物最好置于自行车前端。

请勿以任何方式改装产品。

使用座椅驮带小孩时可能会改变自行车的行驶状况，平衡性、转向和制动方面尤其明显。

停放自行车时，切勿在无人照看的情况下将小孩单独留在座椅内。

仅借助一个撑脚架停放自行车时，切勿将小孩留在座椅内。

如有任何部件损坏，请勿使用座椅。

如未遵守安全指导，可能会导致小孩或骑乘人员严重受伤甚至死亡。

Thule RideAlong - Caution - Achtung

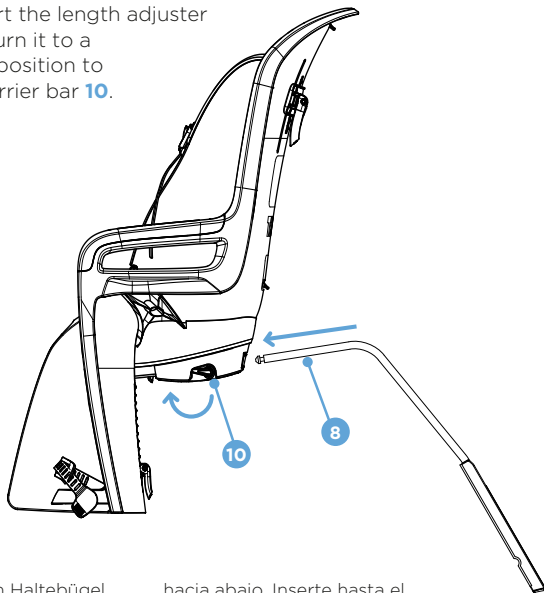
> installation montage

- EN** Before installing the Thule RideAlong rear bicycle child seat, please read these instructions carefully. Check that your bicycle type is compatible with the Thule RideAlong, and make sure you follow the installation instructions to give your child a safe and comfortable ride.
- DE** Bevor Sie den Thule RideAlong Fahrradrucksitz für Kinder anbringen, lesen Sie diese Anleitung bitte sorgfältig durch. Vergewissern Sie sich, dass Ihr Fahrrad mit dem Thule RideAlong kompatibel ist, und befolgen Sie die Montageanleitung, um Ihrem Kind eine sichere und bequeme Fahrt zu ermöglichen.
- FR** Avant d'installer le siège vélo pour enfant Thule RideAlong, veuillez lire attentivement ces instructions. Vérifiez que votre type de vélo est compatible avec le Thule RideAlong et veillez à suivre les instructions d'installation pour offrir à votre enfant un voyage sécurisé et confortable.
- ES** Antes de instalar el asiento para niños Thule RideAlong, lea atentamente estas instrucciones. Compruebe que el modelo de bicicleta es compatible con el Thule RideAlong y asegúrese de seguir las instrucciones de instalación para que su hijo disfrute de un paseo en bicicleta cómodo y seguro.

Thule RideAlong - Installation - Montage

1 Mount carrier bar to seat Montage Haltebügel am Sitz

EN Remove the carrier bar **8** from the back of the seat. Turn the length adjuster **10** to a vertical position and remove it. Insert the carrier bar fully, with the tips pointing down. Insert the length adjuster fully, and turn it to a horizontal position to lock the carrier bar **10**.



DE Ziehen Sie den Haltebügel (8) aus dem hinteren Teil des Sitzes. Drehen Sie den Längenversteller (10) in die senkrechte Position und entfernen Sie diesen. Setzen Sie den Haltebügel mit den Spitzen nach unten und anschließend den Längenversteller vollständig ein. Drehen Sie den Längenversteller zurück in die horizontale Position, um den Haltebügel zu sichern.

FR Retirez la barre de support (8) de l'arrière du siège. Réglez l'ajusteur de longueur (10) sur une position verticale et retirez-le. Insérez entièrement la barre de support avec les extrémités vers le bas. Insérez entièrement l'ajusteur de longueur et réglez-le sur une position horizontale pour verrouiller la barre de support (10).

ES Quite la barra portaequipajes (8) de la parte posterior del asiento. Gire el regulador de longitud (10) hasta colocarlo en posición vertical y retírelo. Inserte totalmente la barra, con las puntas

hacia abajo. Inserte hasta el fondo el ajustador de longitud y gírelo hasta una posición horizontal para bloquear la barra portaequipajes (10).

AR أزل قضيب الناقل (8) من ظهر المقعد. أدر جهاز ضبط الطول (10) إلى الوضع الرأسي وأزله. أدخل قضيب الناقل بالكامل، مع توجيه الأطراف للأسفل. أدخل جهاز ضبط الطول بالكامل، وأدره إلى الوضع الأفقي لقفل قضيب الناقل (10).

BG Отстранете носещата рамка (8) от задната част на седалката. Завъртете механизма за регулиране на дължината (10) до вертикално положение и го махнете. Пъхнете докрай носещата рамка, като краищата ѝ трябва да са насочени надолу. Пъхнете докрай механизма за регулиране на дължината и го завъртете до хоризонтално положение, за да заключите носещата рамка (10).

CS Oddělte nosnou tyč (8) ze zadní strany sedačky. Odklopte pojistku pro nastavení délky (10) do vertikální polohy a vyjměte ji. Poté nosnou tyč zasuňte na

Thule RideAlong - Installation - Montage

místo (až na doraz). Hroty musí směřovat dolů. Nasadte zpět pojistku a sklopte ji do horizontální polohy. Tím nosnou tyč zajistíte proti pohybu (10).

DK Fjern bærestangen (8) fra sædets bagerste del. Drej beslaget til længdejustering (10) til en vertikal position, og fjern det. Sæt bærestangen helt i med spidserne pegende nedad. Sæt beslaget til længdejustering helt i, og drej det til en horisontal position for at låse bærestangen (10).

EL Αφαιρέστε τη ράβδο μεταφοράς (8) από το πίσω μέρος του καθίσματος. Τοποθετήστε το ρυθμιστή μήκους (10) σε κατακόρυφη θέση και αφαιρέστε τον. Τοποθετήστε τη ράβδο μεταφοράς με την άκρη προς τα κάτω. Τοποθετήστε το ρυθμιστή μήκους και θέστε τον σε οριζόντια θέση για να κλειδώσει η ράβδος μεταφοράς (10).

ET Eemaldage kandetala (8) istme tagaosasast. Pöörake pikkuseregulaator (10) vertikaal-asendisse ja eemaldage see. Lükake kandetala lõpuni sisse, nii et tipud oleksid suunaga allapoole. Lükake pikkuseregulaator lõpuni sisse ja pöörake see kandetala (10) lukustamiseks horisontaal-asendisse.

FI Irrota kiinnityspotki (8) istuimen takaosasta. Käännä pituuden säädin (10) pystyasentoon ja irrota se. Työnnä kiinnityspotki kokonaan sisälle niin, että sen kärjet osoittavat alaspäin. Aseta pituuden säädin (10) paikalleen ja lukitse kiinnityspotki paikalleen kääntämällä pituuden säädin vaaka-asentoon.

HE (הקדמה) הוציאו את מוט הנשיאה (8) מנב המושב. סובבו את מתאם האורך (10) למצב אנכי והוציאו אותו. הכניסו את מוט הנשיאה במלואו כשהקצוות שלו פונים כלפי מטה. הכניסו את מתאם האורך במלואו, וסובבו אותו למצב אופקי כדי לנעול את מוט הנשיאה (10).

HR/BIH Uklonite nosivu šipku (8) sa stražnje strane sjedalice. Okrenite regulator duljine (10) u okomiti položaj te ga uklonite. Umetnite nosivu šipku do kraja, tako da su vrhovi okrenuti prema dolje. Umetnite do kraja regulator duljine te ga okrenite u vodoravni položaj da biste zaključali nosivu šipku (10).

HU Távolítsa el a tartócsövet (8) az ülés hátuljáról. Fordítsa a hosszállítót (10) függőleges állásba, és vegye ki. Helyezze be teljesen a tartócsövet úgy, hogy a végei lefelé mutassanak. Helyezze be teljesen a hosszállítót, és fordítsa vízszintes állásba a tartócső rögzítéséhez (10).

IT Rimuovere la barra di trasporto (8) dalla parte posteriore del seggiolino. Ruotare il regolatore della lunghezza (10) in posizione verticale e rimuoverlo. Inserire completamente la barra di trasporto con le estremità rivolte verso il basso. Inserire completamente il regolatore di lunghezza e ruotarlo in posizione orizzontale per bloccare la barra di trasporto (10).

JA キャリアバー(8)をシートの後方から取り外します。長さ調節用のアジャスター(10)を垂直の位置まで回転させて取り外します。キャリアバーを完全に差し込み、先端を下方方向に向けます。長さ調節用のアジャスターを完全に差し込み、水平の位置まで回転させてキャリアバーをロックします(10)。

KO 좌석 뒤에서 캐리어 바(8)를 분리합니다. 길이 조절기(10)를 수직 위치로 회전하고 분리합니다. 끝 부분이 아래를 향하도록 하여 캐리어 바를 완전히 삽입합니다. 길이 조절기를 완전히 삽입하고 수평 위치로 회전하여 캐리어 바(10)를 잠급니다.

LT Atjunkite laikiklio strypą (8) nuo kėdutės galinės dalies. Pasukite ilgio reguliatorių (10) į vertikalią padėtį ir nuimkite jį. Visišškai įstatykite laikiklio strypą, kad galai būtų nukreipti žemyn. Visišškai įstatykite ilgio reguliatorių ir pasukite į horizontalią padėtį, kad užrakintumėte laikiklio strypą (10).

LV Atvienojiet turētāja stieni (8) no sēdekļa aizmugures. Pagrieziet garuma regulētāju (10) vertikālā pozīcijā un noņemiet to. Pilnībā ievietojiet turētāja stieni tā, lai uzgaļi būtu pilnībā vērsti uz leju. Pilnībā ievietojiet garuma regulētāju un pagrieziet to horizontālā pozīcijā, lai nobloķētu turētāja stieni (10).

NL Verwijder de draagstang (8) van de achterkant van het zitje. Draai de verstelling (10) in

verticale stand en verwijder het hem. Steek de draagstang er helemaal in, met de punten naar beneden. Steek de lengteverstelling er helemaal in, en draai hem naar een horizontale stand om de draagstang te vergrendelen (10).

NO Fjern bærebøylene (8) fra seteryggen. Drei lengdejusteringen (10) i loddrett stilling og ta den ut. Skyv bærebøylene helt inn med endene pekende nedover. Skyv lengdejusteringen helt inn og drei den i vannrett stilling for å låse bærebøylene (10).

PL Odłącz pałąk mocujący (8) od tyłu fotelika. Ustaw regulator długości (10) w pozycji pionowej i wyjmij go. Wsuń maksymalnie pałąk mocujący, z kośćcówkami skierowanymi do dołu. Wsuń cały regulator długości i ustaw go w pozycji poziomej, aby zablokować pałąk mocujący (10).

PT Remova a barra de suporte (8) da parte traseira do assento. Gire o regulador de comprimento (10) para uma posição vertical e remova-o. Insira a barra de suporte completamente, com as pontas voltadas para baixo. Insira o regulador de comprimento completamente e gire-o para uma posição horizontal para travar a barra de suporte (10).

RO Înlăturați bara suport (8) de pe spatele scaunului. Rotiți ajustorul pe lungime (10) în poziție verticală și scoateți-l. Introduceți bara suport complet, cu vârfulurile orientate în jos. Introduceți ajustorul pe lungime complet și rotiți-l în poziție orizontală pentru a bloca bara suport (10).

RU Уберите опорную дугу (8) с задней части сидения. Поверните устройство для регулировки длины дуги (10) в вертикальное положение и уберите. Полностью вставьте опорную дугу, чтобы ее концевые части смотрели вертикально вниз. Полностью вставьте устройство регулировки длины дуги и поверните его в горизонтальное положение, чтобы зафиксировать опорную дугу (10).

SK Odnímate nosnú tyč (8) zo zadnej strany sedačky. Páčku na nastavenie dĺžky (10) otočte do zvislej polohy a vytiahnite ju.

Nosnú tyč zasuňte až na doraz tak, aby jej hroty smerovali nadol. Páčku na nastavenie dĺžky zasuňte na doraz a otočte ju do vodorovnej polohy tak, aby zaisťovala nosnú tyč (10).

SL Odstranite palico nosilca (8) s hrbtnega dela sedeža. Regulator dolžine (10) obrnite v navpični položaj in ga odstranite. Palico nosilca vstavite do konca, konice naj bodo obrnjene navzdol. Vstavite do konca regulator dolžine in ga obrnite v vodoravni položaj, da zaklenete palico nosilca (10).

SV Lossa säteshållaren (8) från stolens baksida. Vrid vredet för längdjustering (10) till det vertikala läget och ta loss det. För in säteshållaren helt, med toppen vänd nedåt. Sätt tillbaka vredet för längdjustering igen och vrid det till horisontellt läge för att låsa fast säteshållaren (10).

TH ถอดคานจับยึด (8) ออกจากด้านหลังของเก้าอี้ หมุนตัวปรับความยาว (10) ให้อยู่ในตำแหน่งแนวตั้งแล้วถอดออก ใส่คานจับยึดเข้าไปจนสุดโดยให้ปลายอลงใส่ตัวปรับความยาวให้เข้าที่ จากนั้นหมุนให้อยู่ในตำแหน่งแนวอนเพื่อล็อคคานจับยึด (10)

TR Taşıyıcı çubuğu (8) koltuğun arkasından çıkarın. Uzunluk ayarlayıcısını (10) düşey konuma çevirin ve çıkarın. Uçları aşağıya bakacak şekilde taşıyıcı çubuğu buraya tümüyle sokun. Uzunluk ayarlayıcısını tümüyle sokun ve taşıyıcı çubuğu (10) yerine kilitleyecek şekilde bu ayarlayıcıyı yatay konuma çevirin.

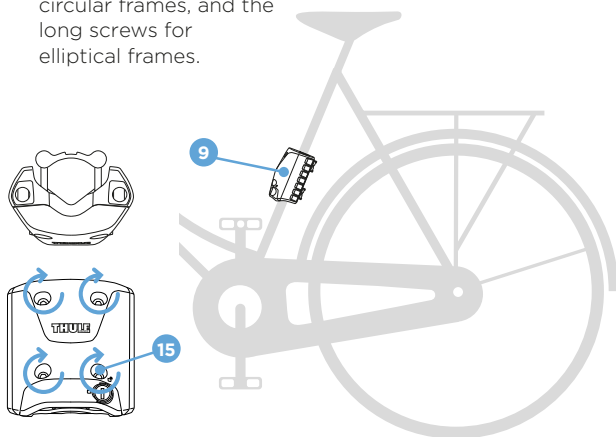
UK Витягніть підвіску (8) зі спинки крісла. Поверніть регулятор довжини (10) у вертикальне положення й витягніть його. Повністю вставте підвіску наконечниками донизу. Повністю вставте регулятор довжини й поверніть його в горизонтальне положення, щоб зафіксувати підвіску (10).

ZH 將承載杆 (8) 從座椅後部拆除。將長度調節器 (10) 轉動到垂直位置並拆除。將承載杆完全插入，尖端向下。將長度調節器 (10) 完全插入並轉動到水平位置，以鎖定承載杆。

Thule RideAlong - Installation - Montage

2 Fasten bracket to bicycle Montage Halterung am Fahrrad

EN Place the bracket against the bicycle frame with the blue release button facing down **9**. Fasten the bracket by screwing the four front-mounted screws **15**, but do not tighten them fully yet, to allow the height to be adjusted later. Use the short screws for circular frames, and the long screws for elliptical frames.



DE Bringen Sie die Halterung mit der blauen Entriegelung (9) nach unten am Fahrradrahmen an. Befestigen Sie die Halterung, indem Sie die vier vorderen Schrauben (15) anziehen. Ziehen Sie die Schrauben noch nicht vollständig fest, um die Höhe der Halterung später anpassen zu können. Verwenden Sie die kurzen Schrauben für runde und die langen Schrauben für elliptische Fahrradrahmen.

FR Placez le support contre le cadre du vélo, le bouton-poussoir bleu vers le bas (9). Fixez le support en vissant les quatre vis avant (15), mais ne les serrez pas encore à fond pour pouvoir régler la hauteur ultérieurement. Utilisez les vis courtes pour les cadres ronds et les vis longues pour les cadres ovales.

ES Coloque la abrazadera contra el cuadro de la bicicleta con el botón de apertura de color azul hacia abajo (9). Asegure la abrazadera atornillando los cuatro

tornillos de montaje frontal (15), pero no los apriete totalmente para poder ajustar después la altura. Use los tornillos cortos para cuadros circulares y los largos para cuadros con forma elíptica.

AR ضع الكتيفة أمام هيكل الدراجة بحيث يكون زر التحرير الأزرق مواجهًا للأسفل (9). قم بتثبيت الكتيفة عن طريق لف المسامير اللولبية الأربعة المثبتة في الأمام (15)، ولكن لا تحكم ربطها بشدة حتى هذه المرحلة، وذلك لإتاحة إمكانية ضبط الارتفاع لاحقًا. استخدم مسامير لولبية قصيرة للهياكل الدائرية، ومسامير لولبية طويلة للهياكل بيضاوية الشكل.

BG Поставете скобата върху рамката на велосипеда, като синият освобождаващ бутон е отдолу (9). Затегнете скобата, като завиете четирите винта (15), монтирани отзад, но не докрай, за да може по-късно да се регулира височината. За рамки с кръгло сечение използвайте късите винтове, а за рамки с елипсовидно сечение – дългите.

CS Nasadíte držák na rám kola; modré tlačítko pro uvolnění nosných tyčí musí směřovat dolů (9). Upevněte držák na rám pomocí čtyř šroubů umístěných na přední straně držáku (15). Šrouby však zatím nedotahujte, abyste v případě potřeby mohli polohu držáku upravit. Při montáži na rám s kulatým profilem použijte krátké šrouby, při montáži na rám s oválným profilem použijte dlouhé šrouby.

DK Sæt beslaget på cyklens stel med den blå udløserknap pegende nedad (9). Fastgør beslaget ved at skruer på de fire frontmonterede skruer (15), men undlad at stramme dem helt, så højden kan justeres senere. Brug de korte skruer til runde stel og de lange til ovale stel.

EL Τοποθετήστε το βραχίονα επάνω στο σκελετό του ποδηλάτου με το μπλε κουμπί απελευθέρωσης προς τα κάτω (9). Στερεώστε το βραχίονα βιδώνοντας τις τέσσερις μπροστινές βίδες (15), χωρίς όμως να τις σφίξετε τελείως, για να μπορείτε να προσαρμόσετε το ύψος του αργότερα. Χρησιμοποιήστε τις μικρές βίδες στους στρογγυλούς σκελετούς και τις μεγάλες βίδες στους σκελετούς ελλειπτικού σχήματος.

ET Asetage klamber jalgratta raami vastu, sinine vabastusnupp allapoole (9). Kinnitage klamber, keerates nelja eesosas olevat kruvi (15), kuid ärge keerake kruvisid täielikult kinni - nii saate kõrgust hiljem reguleerida. Kasutage ümara toruga raamide puhul lühikesi kruvisid ja ovaalse toruga raamide puhul pikki kruvisid.

FI Aseta kiinnike polkupyörän runkoa vasten niin, että sininen vapautuspainike on alhaalla (9). Kiristä kiinnike paikalleen sen edessä olevan neljän ruuvin (15) avulla, mutta älä kiristä ruuveja vielä loppuun asti, jotta voit tehdä tarvittavat korkeussäädöt myöhemmin. Käytä lyhyitä ruuveja, jos polkupyörän putki on pyöreä, ja pitkiä ruuveja, jos polkupyörän putki on suorakulmainen.

HE מצמידו את השלד לראש הכוון (9). כשלהצנן השחרור הכחול פונה כלפי מטה (9). הדקו את התופסן על-ידי הברגת ארבעת הברגים הקדמיים (15) אבל עדיין אל תהדקו אותם למרי כדי לאפשר את התאמת הגובה בהמשך. השתמשו בברגים הקצרים לשלדות מעוגלות ובברגים הארוכים לשלדות אליפטיים.

HR/BIH Postavite držač uz okvir bicikla tako da plavi gumb za otpuštanje bude okrenut prema dolje (9). Pričvrstite držač zavrtanjem četiriju vijaka koji su montirani na prednjoj strani (15), ali ih nemojte još zategnuti do kraja kako biste kasnije mogli prilagoditi visinu. Upotrijebite kratke vijke za okrugle okvire i dugačke vijke za ovalne okvire.

HU Helyezze a konzolt a nyeregvázsőre úgy, hogy a kék kioldógomb lefelé nézzen (9). Rögzítse a konzolt a négy csavar becsavarozásával (15), de még ne húzza meg őket teljesen, hogy a magasságot később beállíthassa. Kör keresztmetszetű vázakhoz rövid csavarokat, az ellipszis keresztmetszetű vázakhhoz pedig a hosszú csavarokat használja.

IT Posizionare la staffa contro il telaio della bicicletta con il pulsante di rilascio blu rivolto verso il basso (9). Stringere la staffa avvitando le quattro viti montate nella parte anteriore (15) senza stringerle completamente, in modo da poter regolare l'altezza in seguito. Utilizzare le viti corte per i telai circolari e quelle lunghe per i telai ellittici.

JA 青いリリースボタンが下側になるようにブラケットをサイクルのフレームに取り付けます(9)。前面にある4個のネジ(15)を締めてブラケットを固定しますが、後で高さを調節しますので、まだ完全には締めないでください。円形のフレームには短いネジを使い、楕円形のフレームには長いネジを使います。

KO 파란색 해제 버튼(9)이 아래로 향하도록 하고 브래킷을 자전거 프레임에 배치합니다. 네 개의 전면 장착 나사(15)를 조여 브래킷을 장착하되 나중에 높이를 조절할 수 있도록 완전히 조이지는 않습니다. 원형 프레임에는 짧은 나사를, 타원형 프레임에는 긴 나사를 사용합니다.

Thule RideAlong - Installation - Montage

LT Uzdėkite laikiklį ant dviračio rėmo, kad mėlynas atlaisvinimo mygtukas būtų nukreiptas žemyn (9). Pritvirtinkite laikiklį užsukdami keturis priekinius varžtus (15), tačiau kol kas visiškai jų nepriveržkite, kad vėliau galėtumėte reguliuoti aukštį. Su cilindriniais rėmais naudokite trumpus varžtus, o su elipsiniais rėmais – ilgus.

LV Novietojiet skavu uz velosipēda rāmja tā, lai zilā atkābes poga būtu vērsta uz leju (9). Nostipriniet skavu – pieskrūvējiet visas četras priekšpusē esošās skrūves (15), bet nepievelciet tās līdz galam, lai pēc tam varētu koriģēt augstumu. Apaļajiem rāmjiem izmantojiet īsās skrūves, bet eliptiskajiem – garās skrūves.

NL Plaats de klem tegen het fietsframe met de blauwe drukknop naar beneden gericht (9). Zet de klem vast door de vier aan de voorkant gemonteerde schroeven (15) erin te draaien, maar zet ze nog niet helemaal vast, zodat u de hoogte later nog kunt bijstellen. Gebruik de korte schroeven voor ronde frames, en de lange voor ovale frames.

NO Plasser braketten mot sykkelrammen med den blå utløserknappen vendt nedover (9). Fest braketten med å skru de fire frontmonterte skruene (15). Ikke stram de helt til, da høyden skal justeres senere. Bruk de korte skruene til runde rammer, og de lange skruene til ovale rammer.

PL Umieść uchwyt na ramie roweru z niebieskim przyciskiem zwalniającym skierowanym do dołu (9). Przymocuj uchwyt za pomocą czterech śrub z przodu (15), ale jeszcze nie dokręcaj ich, by umożliwić dopasowanie wysokości na późniejszym etapie montażu. Do ram o przekroju okrągłym użyj krótszych śrub – dłuższe śruby służą do montażu na ramach o przekroju eliptycznym.

PT Posicione o fixador contra o quadro da bicicleta com o botão de liberação azul voltado para baixo (9). Aperte o fixador ao aparafusar os quatro parafusos frontais (15), mas não os aperte completamente ainda para permitir que a altura seja ajustada mais tarde. Use os parafusos curtos para quadros circulares e os parafusos longos para quadros elípticos.

RO Așezați consola pe cadrul bicicletei cu butonul de eliberare albastru orientat în jos (9). Strângeți consola înșurubând cele patru șuruburi din față (15), dar nu până la capăt, încă, pentru a permite reglarea ulterioară a înălțimii. Utilizați șuruburi scurte pentru cadrele circulare și șuruburi lungi pentru cadrele eliptice.

RU Поместите опору на раму велосипеда, синяя кнопка деблокировки (9) должна смотреть вниз. Закрепите опору, закрутив четыре винта спереди (15), но не затягивая их полностью, чтобы можно было регулировать высоту. Используйте короткие винты для круглых рам и длинные для эллиптических.

SK Svorku umiestnite na rám bicykla tak, aby modré uvoľňovacie tlačidlo smerovalo nadol (9). Svorku upevnite zaskrutkovaním štyroch skrutek spredu (15), ale ešte ich nedotahujte úplne, aby sa dala neskôr nastaviť výška sedačky. Na rámy s kruhovým prierezom použite krátke skrutky a na rámy s eliptickým prierezom použite dlhé skrutky.

SL Kolesarski prtljažnik postavite na okvir kolesa tako, da je modri gumb za sprostitve obrnjen navzdol (9). Pritrdite kolesarski prtljažnik tako, da privijete štiri vijake na srednji strani (15). Vijakov za zdaj še ne privijte do konca, da boste lahko pozneje nastavili višino. Za okrogle okvirje uporabite kratke vijake,

za elipsaste pa dolge vijake.

SV Placera beslaget mot cykelramen med den blå demonteringsknappen vänd nedåt (9). Fäst beslaget genom att skruva i de fyra skruvarna från framsidan (15), men dra inte åt dem för hårt eftersom beslaget senare behöver justeras i höjdlid. Använd de korta skruvarna för montering på cirkulära ramrör och de långa skruvarna för montering på ovala ramrör.

TH ใส่ขายึดเข้ากับเฟรมจักรยานโดยหันปุ่มปลดล็อกสีฟ้าลง (9) ติดขายึดให้แน่นด้วยการขันสกรูยึดส่วนหน้าสีตัว (15) แต่ยังไม่ตึงขันให้แน่นเต็มที่เพื่อให้ปรับระดับความสูงได้ในภายหลัง ใช้สกรูสั้นสำหรับเฟรมทรงกลมและสกรูยาวสำหรับเฟรมทรงแท่ง

TR Bağlantı parçasını, mavi serbest bırakma düğmesi (9) aşağıya bakacak şekilde bisiklet kadrosuna yerleştirin. Önden takılan dört vidayı (15) kullanarak bağlantı parçasını sabitleyin, ancak yüksekliğin daha sonra ayarlanmasına olanak tanımak üzere bunları tümüyle sıkıştırmayın. Dairesel bisiklet kadroları için kısa vidaları, eliptik çerçeveler için uzun vidaları kullanın.

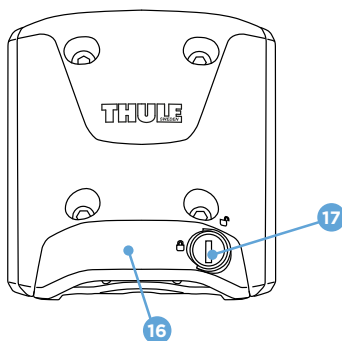
UK Розмістіть кронштейн на рамі велосипеда блакитною кнопкою фіксатора донизу (9). Закріпіть кронштейн, закрутивши чотири гвинти на внутрішньому боці (15), але поки що не затягуйте їх міцно, щоб пізніше мати змогу відрегулювати висоту. Використовуйте короткі гвинти для круглих рам і довгі – для овальних.

ZH 使托座 (9) 夹住自行车架, 蓝色释放按钮向下。拧紧四个正面安装螺丝 (15) 将托座固定, 但是请勿完全拧紧螺丝, 以便稍后调节高度。短螺丝用于圆形车架, 长螺丝用于椭圆形车架。

Thule RideAlong - Installation - Montage

3 Bracket functionality Funktion Halterung

EN The bracket has a blue button to release the carrier bars **16**. The bracket includes a Thule One-Key system lock **17** to prevent theft.



DE Die blaue Taste an der Halterung dient zur Entriegelung des Haltebügels (16). Als Diebstahlschutz ist die Halterung mit dem Thule One-Key System (17) versehen.

FR Le support est muni d'un bouton bleu pour libérer les barres de support (16) et du dispositif de verrouillage Thule One-Key System (17) pour empêcher les vols.

ES La abrazadera tiene un botón azul para soltar las barras portaequipajes (16). La abrazadera incluye un sistema Thule One-Key opcional (17) para evitar los robos.

AR تتوفر الكتيفة مزودة بزر أزرق لتحرير قضبان الناقل (16). وتتضمن الكتيفة قفل Thule One-Key System (17) لمنع السرقة.

BG На скобата има син бутон за освобождаване на носещата рамка (16). Скобата е снабдена със система за заключване Thule One-Key (17) за предпазване от кражба.

CS Na držáku je modré tlačítko, které slouží k uvolnění nosných tyčí (16). Součástí držáku je také zámek jednoklíčového systému Thule One-Key (17) k zajištění proti krádeži.

DK Beslaget er udstyret med en blå knap, der udløser bærestængerne (16). Beslaget er udstyret med en Thule One-Key-systemlås (17), der forebygger tyveri.

EL Στο βραχίονα υπάρχει ένα μπλε κουμπί που απελευθερώνει τις ράβδους μεταφοράς (16). Ο βραχίονας περιλαμβάνει μια αντικλεπτική κλειδαριά συστήματος One-Key System της Thule (17).

ET Klambriil on kandetalade (16) vabastamiseks sinine nupp. Klambriiga on varguse vältimiseks kaasas Thule One-Key süsteemi lukk (17).

FI Kiinnikkeessä on sininen painike, joka vapauttaa kiinnitysputket (16). Kiinnikkeessä on varkauksia ehkäisevä Thule One-Key -lukkojärjestelmä (17).

HE התופסן כולל לחצן כחול לשחרור מוטות הנשיאה (16). התופסן כולל למנוע תנביה. Thule One-Key System (17) למנוע תנביה.

HR/BIH Na držaču se nalazi plavi gumb za otpuštanje nosivih šipki (16). Držać uključuje sustav jednog ključa Thule (17) za sprječavanje krađe.

HU A konzolon egy kék gomb található, amely a tartócső kioldására szolgál (16). A konzol a lopás elleni védelem érdekében Thule egykulcsos zárrendszert (17) tartalmaz.

IT La staffa è dotata di un pulsante blu per il rilascio delle barre di trasporto (16). La staffa include una chiusura antifurto Thule One-Key System (17).

JA ブラケットにはキャリアバーを取り外すための青いリリースボタンがあります(16)。このブラケットでは、盗難防止用のThuleワンキーシステムロック(17)が使えます。

KO 브래킷에는 캐리어 바 해제용 파란색 버튼이 있습니다(16). 브래킷에는 도난 방지를 위한 Thule 원키 시스템(One-Key System) 잠금 장치(17)가 포함되어 있습니다.

LT Ant laikiklio yra mėlynas mygtukas, skirtas laikiklio strypui (16) atlaisvinti. Laikiklis turi „Thule“ vieno rakto sistemos užraktą (17), skirtą apsaugai nuo vagystės.

LV Skavai ir zila poga, kas paredzēta turētāja stieņu (16) atkabināšanai. Skavai ir Thule One-Key sistēmas slēdzene (17), lai novērstu zādzību.

NL De klem heeft een blauwe knop om de draagstangen te ontkoppelen (16). Bij de klem wordt een Thule One-Key System-slot (17) geleverd om diefstal te voorkomen.

NO På braketten er det en blå knapp som du bruker til å løse ut bærebøylen (16). Braketten inneholder systemlåsen Thule One-Key (17), som forebygger tyveri.

PL Na uchwycie znajduje się niebieski przycisk do zwalniania pałąków mocujących (16). Uchwyt wyposażony jest też we wkładkę Thule One Key (17), zabezpieczającą przed kradzieżą.

PT O fixador possui um botão azul para soltar as barras do suporte (16). O fixador inclui uma trava Thule One-Key System (17) para evitar furtos.

RO Consola are un buton albastru pentru eliberarea barelor suport (16). Consola include un sistem de blocare Thule One-Key (17), pentru a preveni furtul.

RU На опоре находится синяя кнопка, которая позволяет освободить опорную дугу (16). На опоре установлена система одного ключа Thule One-Key System (17), которая поможет предотвратить кражу.

SK Svorka má modré tlačidlo na uvoľnenie nosných tyčí (16). Súčasťou svorky je aj zámok Thule One-Key System (17) na zabránenie krádeži.

SL Kolesarski prtljažnik ima modri gumb za sproščanje palic nosilca (16). Kolesarski prtljažnik je opremljen s ključavnico Thule One-Key System (17) za zaščito pred krajo.

SV Beslaget har en blå knapp som används för att lossa säteshållaren (16). Ett Thule One-Key System-lås (17) som förhindrar stöld medföljer.

TH ขายึดจะมีปุ่มสีฟ้าสำหรับปลด ล็อคคานจับยึด (16) ขายึดมีระบบล็อค One-Key ของ Thule (17) เพื่อป้องกันการโจรกรรม

TR Bağlantı parçası, taşıyıcı çubukları (16) serbest bırakmak için mavi bir düğmeye sahiptir. Bağlantı parçasında, hırsızlığı önleme amacıyla bir Thule Tek Anahtarlı sistem kilidi (17) bulunur.

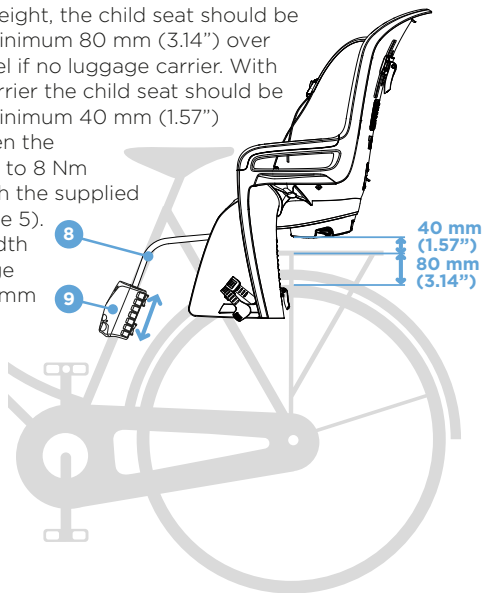
Thule RideAlong - Installation - Montage

UK На кронштейні є блакитна кнопка для вивільнення підвіски (16). Кронштейн оснащено системою блокування Thule One-Key (17) для захисту від викрадення.

ZH 托座具有一个蓝色按钮 (16), 用于释放承载杆。托座具有一个用于防盗的 Thule 单匙系统锁 (17)。

4 Mount child seat to bracket Montage Kindersitz in Halterung

EN Insert the carrier bar **8** into the bracket **9** until you hear a click. Adjust the bracket to the correct height, the child seat should be positioned minimum 80 mm (3.14") over the rear wheel if no luggage carrier. With a luggage carrier the child seat should be positioned minimum 40 mm (1.57") above. Tighten the screws firmly to 8 Nm (5,9 lb-ft) with the supplied Allen key (size 5). Maximum width of the luggage carrier is 155 mm (6.10").



DE Setzen Sie den Haltebügel (8) in die Halterung (9) ein, bis Sie ein Klickgeräusch hören. Stellen Sie die Halterung auf die richtige Höhe ein. Bei Fahrrädern ohne Gepäckträger muss der Kindersitz mindestens 80 mm über dem Hinterrad positioniert werden. Bei Fahrrädern mit Gepäckträger muss der Kindersitz mindestens 40 mm darüber positioniert werden. Ziehen Sie die Schrauben mit dem beigelegten Inbusschlüssel (Größe 5) auf 8 Nm fest. Die maximale Breite des Gepäckträgers beträgt 155 mm.

FR Insérez la barre (8) dans le support (9) jusqu'à ce qu'un clic se fasse entendre. Réglez le support à la bonne hauteur. Sur les vélos dépourvus de porte-bagages, le siège enfant doit se trouver au minimum 80 mm au-dessus de la roue arrière (40 mm pour les vélos équipés d'un porte-bagages). Serrez fermement les vis à 8 Nm à l'aide de la clé Allen fournie (taille 5). La largeur maximale du porte-bagages est de 155 mm.

ES Inserte la barra portaequipajes (8) en la abrazadera (9) hasta oír un sonido de clic. Ajuste la abrazadera a la altura correcta. En bicicletas sin portaequipajes, el asiento para niños debe colocarse como mínimo a 80 mm sobre la rueda trasera. En bicicletas equipadas con portaequipajes, el asiento debe colocarse como mínimo a 40 mm sobre la rueda. Apriete bien los tornillos a 8 Nm con la llave Allen suministrada (tamaño 5). La anchura máxima del portaequipajes es de 155 mm.

AR أدخل قضيب الناقل (8) في الكتيفة (9) حتى تسمع صوت استقراره في الكتيفة. اضبط الكتيفة حسب الارتفاع الصحيح. بالنسبة للدراجات غير المزودة بناقل حقائب، يجب وضع مقعد الطفل على مسافة 80 مم (3.14 بوصة) على الأقل فوق العجلة الخلفية. بالنسبة للدراجات المزودة بناقل حقائب، يجب وضع مقعد الطفل على مسافة 40 مم (1.57 بوصة) على الأقل فوق العجلة. أحكم ربط المسامير اللولبية حتى مقياس 8 نيوتن متر (5,9 رطل-قدم) باستخدام مفتاح Allen المرفق (بحجم 5). أقصى عرض لناقل الحقائب هو 155 مم (6.10 بوصة).

Thule RideAlong - Installation - Montage

BG Пъхнете носещата рамка (8) в скобата (9), докато чуete щракване. Регулирайте скобата на подходящата височина. При велосипеди без багажник детската седалка трябва да бъде поставена на височина поне 80 mm (3,14 инча) над задното колело. При велосипеди с багажник тази височина трябва да бъде поне 40 mm (1,57 инча). Затегнете здраво винтовете до 8 Nm (5,9 фунта-фута) с помощта на предоставения шестограмен ключ (размер 5). Максималната ширина на багажника е 155 mm (6,10 инча).

CS Zasuňte nosnou tyč (8) do držáku (9). Měli byste slyšet, jak zapadne na místo. Nastavte držák do správné výšky. U kol bez zadního nosiče by dětská cyklosedačka měla být alespoň 80 mm nad zadním kolem. Je-li kolo vybaveno zadním nosičem, dětská cyklosedačka musí být minimálně 40 mm nad ním. Pomocí přiloženého imbusového klíče (velikosti 5) dotáhněte šrouby na 8 Nm. Aby bylo sedačku možné namontovat, zadní nosič nesmí být širší než 155 mm.

DK Skub bærestangen (8) ind i beslaget (9), til du hører et klik. Juster beslaget til den rigtige højde. For cykler uden bagagebærer skal barnesædet placeres mindst 80 mm (3,14") over baghjulet. For cykler, der er udstyret med en bagagebærer, skal barnesædet placeres mindst 40 mm (1,57") over. Stram skruerne grundigt til 8 Nm (5,9 lb-ft) med den medfølgende umbrakonøgle (størrelse 5). Maksimalbredde for bagagebæreren er 155 mm (6,10").

EL Σπρώξτε τη ράβδο μεταφοράς (8) στο βραχίονα (9) μέχρι να ακουστεί ένα κλικ. Προσαρμόστε το βραχίονα στο σωστό ύψος. Για ποδήλατα χωρίς σχάρα, το παιδικό κάθισμα θα πρέπει να τοποθετηθεί τουλάχιστον 80 mm (3,14") πάνω από την πίσω ρόδα. Για ποδήλατα που διαθέτουν σχάρα, το παιδικό κάθισμα θα πρέπει να τοποθετηθεί τουλάχιστον 40 mm (1,57") πάνω από την πίσω ρόδα. Σφίξτε τις βίδες καλά με ροπή στρέψης 8 Nm (5,9 lb-ft) με το παρεχόμενο κλειδί Allen (μέγεθος 5). Το μέγιστο πλάτος της σχάρας είναι 155 mm (6,10").

ET Sisestage kandelata (8) klambri (9) avadesse, kuni kuulete klõpsu. Paigutage klamber õigele kõrgusele. Pakiraamita jalgrataste korral tuleks lasteiste paigaldada umbes 80 mm (3,14") kõrgusele tagaratta kohale. Pakiraamiga rataste korral tuleks lasteiste paigaldada umbes 40 mm (1,57") võrra kõrgemale. Keerake kruvid kõvasti kinni (8 Nm (5,9 lb-ft)) komplektis oleva kuuskantvõtmega. Pakiraami maksimumlaius on 155 mm (6,10").

FI Työnnä kiinnitysputkea (8) kiinnikkeeseen (9), kunnes kuulet naksahduksen. Säädä putki oikean pituiseksi. Jos pyörässä ei ole tavaratelineettä, lastenistuin täytyy sijoittaa vähintään 80 mm takapyörän yläpuolelle. Tavaratelineellä varustetuissa polkupyörissä lastenistuin täytyy sijoittaa vähintään 40 mm takapyörän yläpuolelle. Kiristä ruuvit lujasti 8 Nm:n kireyteen mukana toimitettavalla kuusiokoloavaimella (koko 5). Tavaratelineen enimmäisveveys on 155 mm.

HE הכניסו את מוט הנשיאה (8) לתוך התופסן (8) עד שתשמעו נקיש. התאימו את התופסן כך שיהיה בגובה הנכון. באופניים ללא סבל, המושב יליד צריך להיות ממוקם כ-80 מ"מ לפחות מעל הגלגל האחורי. באופניים עם סבל, המושב יליד צריך להיות ממוקם כ-40 מ"מ לפחות מעל הגלגל האחורי. הדקו את הברנים היטב ל-8 Nm (5,9 lb-ft). בעזרת מפתח האלן המצורף (גודל 5). רוחב הסבל המרבי הוא 155 מ"מ.

HR/BIH Umetnite nosivu šipku (8) u držač (9) do kraja (dok ne škljocne). Namjestite držač na pravu visinu. Kod bicikala bez nosača prtljage dječju sjedalicu treba postaviti najmanje 80 mm (3,14") iznad stražnjeg kotača. Kod bicikala s nosačem prtljage dječju sjedalicu treba postaviti najmanje 40 mm (1,57") iznad stražnjeg kotača. Uz pomoć inbus-ključa dobro pritegnite vijke priteznim momentom od 8 Nm (5,9 lb-ft).

HU Nyomja a tartósövet (8) a konzolba (9) kattanásig. Állítsa be a konzolt a megfelelő magasságra. Csomagtartó nélküli kerékpárok esetében a gyereklést a hátsó kerék felett legalább 80 mm-rel kell elhelyezni. Csomagtartóval felszerelt kerékpárok esetében a gyereklést a hátsó kerék felett legalább 40 mm-rel kell elhelyezni. A csomagban található imbuszkulcs (5-ös méret) segítségével húzza meg a csavarokat 8 Nm-es erővel. A csomagtartó maximális szélessége 155 mm lehet.

IT Inserire la barra di trasporto (8) nella staffa (9) fino a sentire "clic". Regolare la staffa all'altezza corretta. Per le biciclette senza portabagagli il seggiolino deve essere posizionato a circa 80 mm (3,14 pollici) dalla ruota posteriore. Per le biciclette dotate di portabagagli, il seggiolino deve essere posizionato almeno a 40 mm (1,57 pollici). Stringere saldamente le viti fino a 8 Nm con la chiave a brugola fornita (formato 5). La larghezza massima del portabagagli è di 155 mm (6,10 pollici).

JA カチッと音がするまでキャリアバー(8)をブラケット(9)に差し込みます。ブラケットを正しい高さに調整します。ラゲッジキャリアがないサイクルでは、チャイルドシートは後輪の少なくとも80mm(3.14インチ)上に固定する必要があります。ラゲッジキャリア付きのサイクルでは、チャイルドシートは少なくとも40mm(1.57インチ)上に固定する必要があります。付属のアーレンキー(サイズ5)でネジを8Nm(5.9lb・ft)まできつく締めます。ラゲッジキャリアの最大幅は155mm(6.10インチ)です。

KO 찰카하는 소리가 날 때까지 캐리어 바(8)를 브래킷(9)에 삽입합니다. 브래킷을 올바른 높이로 조절합니다. 화물 캐리어가 없는 자전거의 경우 어린이 좌석은 뒷바퀴 위로 약 80mm(3.14") 위치에 배치해야 합니다. 화물 캐리어가 장착된 자전거의 경우 어린이 좌석은 뒷바퀴 위로 최소 40mm(1.57") 위치에 배치해야 합니다. 제공된 열린 키(크기 5)로 나사를 8Nm(5.9lb·ft)까지 단단히 조입니다. 화물 캐리어의 최대 너비는 155mm(6.10")입니다.

LT Visiškai įstatykite laikiklio strypą (8) į laikiklį (9), kad pasigirstų spragtelėjimas. Nustatykite reikiamą laikiklio aukštį. Ant dviračių, neturinčių bagažo laikiklio, vaiko kėdutę turėtų būti bent 80 mm (3,14 col.) virš galinio rato. O ant dviračių su bagažo laikikliu vaiko kėdutę turėtų būti bent 40 mm (1,57 col.) virš galinio rato. Tvirtai priveržkite varžtus iki 8 Nm (5,9 svar.pėd.) naudodami pridedamą „Allen“ raktą (5 dydžio). Maksimalus bagažo laikiklio plotis – 155 mm (6,10 col.).

LV Ievietojiet skavā (9) turētāja stieni (8), līdz atskan klikšķis. Noregulējiet pareizu skavas augstumu. Velosipēdiem, kam nav bagāžas turētāja, bērnu sēdeklim ir jābūt novietotam vismaz 80 mm (3,14 collas) virs aizmugurējā riteņa. Velosipēdiem, kam ir bagāžas turētājs, bērnu sēdeklim ir jābūt novietotam vismaz 40 mm (1,57 collas) virs tā. Cieši pievelciet skrūves ar 8 Nm (5,9 lb·ft) spēku, izmantojot komplektā esošo atslēgu skrūvēm ar sešstūra padziļinājumu (5. izmērs). Maksimālais bagāžas turētāja platums ir 155 mm (6,10 collas).

NL Steek de draagstang (8) in de klem (9) tot u een klik hoort. Zet de klem op de juiste hoogte. Voor fietsen zonder bagagedrager moet het kinderzitje ongeveer 80 mm boven het achterwiel worden geplaatst. Voor fietsen met bagagedrager moet het kinderzitje ongeveer 40 mm erboven worden geplaatst. Draai de schroeven stevig vast tot 8 Nm met de meegeleverde inbussleutel (maat 5). Maximale breedte van de bagagedrager is 155 mm.

NO Skyv bærebøylen (8) inn i braketten (9) til du hører et klikk. Juster braketten til riktig høyde. For sykler uten bagasjebrett skal barnesetet være minst 80 mm (3,14 tommer) over bakhjulet. For sykler med bagasjebrett skal barnesetet plasseres minst 40 mm (1,57 tommer) over hjulet. Stram til skruene godt til 8 Nm med den medfølgende unbrakonøkkel. Bagasjebrettet kan være maksimalt 155 mm (6,10 tommer) bredt.

Thule RideAlong - Installation - Montage

PL Włóż pałąk mocujący (8) do uchwytu (9), aż usłyszysz kliknięcie. Wyreguluj położenie uchwytu na odpowiedniej wysokości. Na rowerach bez bagażnika fotelik powinien znajdować się co najmniej 80 mm nad tylnym kołem. Na rowerach wyposażonych w bagażnik fotelik powinien być zamocowany co najmniej 40 mm nad bagażnikiem. Dokręć śruby z siłą 8 Nm, korzystając z dołączonego klucza imbusowego (rozmiar 5). Maksymalna szerokość bagażnika wynosi 155 mm.

PT Insira a barra de suporte (8) no fixador (9) até ouvir um clique. Ajuste o fixador na altura correta. Em bicicletas sem suporte para bagagens, o assento infantil deverá ser posicionado a pelo menos 80 mm (3,14") acima da roda traseira. Em bicicletas com suporte para bagagens, ele deverá ser posicionado a pelo menos 40 mm (1,57") acima. Aperte os parafusos firmemente para 8 Nm (5,9 lb-ft) com a chave Allen fornecida (tamanho 5). O tamanho máximo da garupa é 155 mm (6,10").

RO Introduceți bara suport (8) în consolă (9) până când auziți un clic. Reglați consola la înălțimea corectă. În cazul bicicletelor fără suport pentru bagaje, scaunul pentru copil trebuie poziționat la cel puțin 80 mm (3,14") deasupra roții din spate. În cazul bicicletelor echipate cu suport pentru bagaje, scaunul pentru copil trebuie poziționat la cel puțin 40 mm (1,57") deasupra. Strângeți ferm șuruburile la 8 Nm (5,9 lb-ft) cu cheia imbus furnizată (dimensiunea 5). Lățimea maximă a suportului pentru bagaje este 155 mm (6,10").

RU Вставьте опорную дугу (8) в опору (9) до щелчка. Установите опору на необходимую высоту. При установке на велосипед без багажника детское сиденье должно находиться на высоте около 80 мм над задним колесом. При установке на велосипед с багажником детское сиденье должно находиться минимум на 40 мм выше. Затяните винты с усилием 8 Н·м поставляемым в комплекте торцовым ключом (размер 5). Максимальная ширина багажника составляет 155 мм.

SK Nosnú tyč (8) zasuňte do svorky (9), kým necvakne. Svorku nastavte na správnu výšku. V prípade bicyklov bez nosiča na batožinu by sa detská sedačka mala nachádzať najmenej 80 mm nad zadným kolesom. V prípade bicyklov s nosičom na batožinu by sa detská sedačka mala nachádzať najmenej 40 mm nad ním. Skrutky pevne pritiahnite na 8 Nm pomocou dodávaného imbusového kľúča (veľkosť 5). Maximálna šírka nosiča na batožinu je 155 mm.

SL Potiskajte palico nosilca (8) v kolesarski prtljažnik (9), dokler ne zaslišite klika. Prilagodite kolesarski prtljažnik v pravilno višino. Pri kolesih, opremljenih s prtljažnikom, naj bo otroški sedež dvignjen vsaj 40 mm (1,57"). Trdno privijte vijake z navorom 8 Nm (5,9 lb-ft) s priloženim inbus ključem (velikosti 5). Največja širina prtljažnika je 155 mm (6,10").

SV För in säteshållaren (8) i beslaget (9) tills du hör ett klick. Justera beslaget i höjddled. Om du har en cykel utan pakethållare bör barnsätet vara placerat minst 80 mm ovanför bakhjulet. Om du har en cykel med pakethållare bör barnsätet vara placerat minst 40 mm ovanför denna. Dra åt skruvarna ordentligt till 8 Nm med hjälp av den medföljande insexnyckeln (storlek 5). Pakethållaren får inte vara bredare än 155 mm.

TH ใส่คานจับยึด (8) ลงในขายึด (9) จนกระทั่งได้ยินเสียงคลิก ปรับขายึดให้ได้ระดับความสูงพอดี สำหรับจักรยานที่ไม่มีตะแกรงท้ายใส่สัมภาระ เก้าอี้เด็กควรอยู่นี้ออกหลังอย่างน้อย 80 มม. (3.14 ") สำหรับจักรยานที่มีตะแกรงท้ายใส่สัมภาระ เก้าอี้เด็กควรอยู่นี้ออกอย่างน้อย 40 มม. (1.57 ") ขึ้นสกรูให้แน่นถึง 8 Nm (5.9 ปอนด์·ฟุต) ด้วยกุญแจ Allen ที่มี (เบอร์ 5) ความกว้างสูงสุดของตะแกรงท้ายใส่สัมภาระคือ 155 มม. (6.10")

TR Bir klik sesi duyana kadar taşıyıcı çubuğu (8) bağlantı parçasının (9) içine sokun. Bağlantı parçasını doğru yüksekliğe ayarlayın. Bagaj taşıyıcısı olmayan bisikletlerde, çocuk koltuğu arka tekerleğin yaklaşık 80 mm (3,14 inç) üzerine yerleştirilmelidir. Bagaj taşıyıcısı olan bisikletlerde, çocuk koltuğu en az 40 mm (1,57 inç) yukarıya yerleştirilmelidir. Vidaları verilen Allen anahtarıyla (5 numara) 8 Nm (5,9 lb·ft) ile iyice sıkın. Bagaj taşıyıcısının maksimum genişliği 155 mm'dir (6,10 inç).

UK Вставте підвіску (8) в кронштейн (9). Вона має стати на місце з клацанням. Відрегулюйте потрібну висоту кронштейна. Якщо велосипед не має багажника, дитяче крісло слід розміщати на висоті принаймні 80 мм від заднього колеса. Якщо велосипед має багажник, крісло слід розміщати на висоті принаймні 40 мм від колеса. Міцно затягніть гвинти з моментом сили 8 Н·м за допомогою шестигранного ключа з комплекту (розмір 5). Максимальна допустима ширина багажника - 155 мм.

ZH 将承载杆 (8) 插入托座 (9), 插好后会听到咔嚓一声。将托座调整到正确的高度。对于不带行李架的自行车, 儿童座椅应在后轮上方至少 80 毫米 (3.14 英寸) 的位置。对于配有行李架的自行车, 儿童座椅应在上方至少 40 毫米 (1.57 英寸) 的位置。使用附带的艾伦内六角扳手 (5 号) 将螺丝拧紧到 8 牛米 (5.9 磅·英尺)。行李架最大宽度为 155 毫米 (6.10 英寸)。

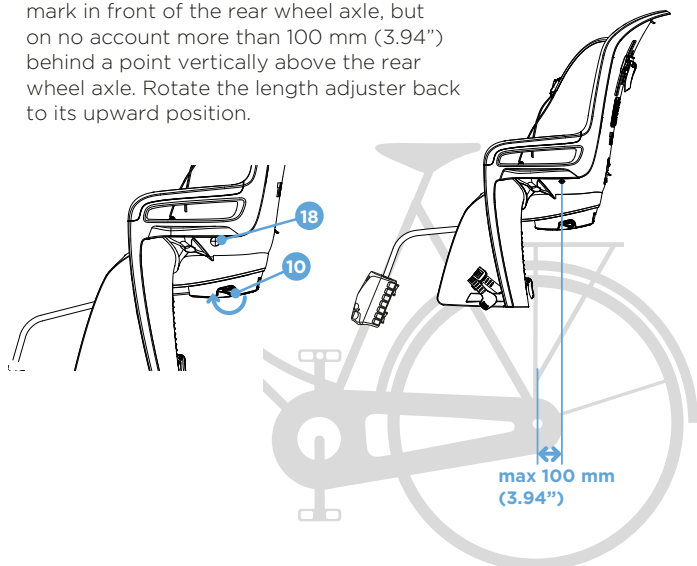
Thule RideAlong - Installation - Montage

> functions funktionen

- EN** The Thule RideAlong is an adjustable, rear bicycle child seat that can grow with your child. The seat adjusts for children of different heights, and can also be equipped with optional accessories such as coloured paddings, an extra bracket and a low saddle adaptor.
- DE** Der Thule RideAlong ist ein verstellbarer Fahrradrücksitz, der mit Ihrem Kind mitwächst. Der Sitz kann für verschiedene Körpergrößen angepasst und mit optionalem Zubehör wie farbigen Polsterungen, einer zusätzlichen Halterung und einem Satteladapter ausgestattet werden.
- FR** Le Thule RideAlong est un siège vélo enfant réglable qui s'adapte à la taille de votre enfant. Ce siège peut également être équipé d'accessoires optionnels, comme un rembourrage coloré, un support supplémentaire et un adaptateur pour selle basse.
- ES** El asiento Thule RideAlong es ajustable, lo que significa que puede adaptarse a medida que crece su hijo. El asiento se ajusta para niños de distintas alturas y también puede equiparse con accesorios opcionales como acolchados de colores, una abrazadera adicional y un adaptador de sillín bajo.

5 Seat length adjustment Verstellung Sitzlänge

EN Rotate the length adjuster 90 degrees downwards **10**. Identify the centre of the gravity mark **18** and mount the seat as far forward as possible. Preferably, have this mark in front of the rear wheel axle, but on no account more than 100 mm (3.94") behind a point vertically above the rear wheel axle. Rotate the length adjuster back to its upward position.



DE Drehen Sie den Längenversteller um 90 Grad nach unten (**10**). Richten Sie den Schwerpunkt mithilfe der Markierung (**18**) aus und montieren Sie den Sitz soweit vorne wie möglich. Im Idealfall sollte die Markierung vor, jedoch keinesfalls mehr als 100 mm hinter der Hinterachse liegen. Drehen Sie den Längenversteller anschließend zurück nach oben.

FR Tournez l'ajusteur de longueur de 90 degrés vers le bas (**10**). Repérez la marque du centre de gravité (**18**) et installez le siège le plus près possible de la selle. De préférence, placez cette marque dans l'axe de la roue arrière, mais en aucun cas plus de 100 mm derrière. Tournez de nouveau l'ajusteur de longueur vers le haut.

ES Gire el ajustador de longitud 90 grados hacia abajo (**10**). Identifique el centro de la marca de gravedad (**18**) y monte el asiento lo más adelante que pueda. Si es posible, la marca

debe quedar delante del eje de la rueda trasera y en ningún caso más de 100 mm por detrás de un punto situado en vertical encima del eje de dicha rueda. Vuelva a girar el regulador para dejarlo en su posición original hacia arriba.

AR قم بتدوير جهاز ضبط الطول بزاوية 90 درجة للأسفل (**10**). حدد علامة مركز الثقل (**18**) وقم بتركيب المقعد في أقصى نقطة ممكنة في اتجاه الأمام. من المفضل جعل هذه العلامة في مقدمة محور العجلة الخلفية، ولكن ليس على مسافة أكثر من 100 مم (3.94 بوصة) خلف أي نقطة فوق محور العجلة الخلفية عمودياً. قم بتدوير جهاز ضبط الطول لإرجاعه إلى وضعه العلوي.

BG Завъртете механизма за регулиране на дължината на 90 градуса надолу (**10**). Открийте маркировката за центъра на тежестта (**18**) и монтирайте седалката колкото е възможно по-напред. За предпочитане е тази маркировка да бъде пред оста на задното колело, но в никакъв случай на повече от 100 мм (3,94 инча) зад точката, чиято вертикална проекция съпада с оста на задното колело. Завъртете

Thule RideAlong - Installation - Montage

механизма за регулиране на дължината в предишното му положение нагоре.

CS Otočte pojistku pro nastavení podélné polohy sedačky o 90° dolů (10). Podívejte se, kde je značka těžiště (18), a namontujte sedačku co nejdříve dopředu. Značka těžiště by ideálně měla být před osou zadního kola, v žádném případě však nesmí být více než 100 mm za úrovní osy zadního kola. Otočte pojistku pro nastavení podélné polohy sedačky zpět do původní polohy.

DK Drej beslaget til længdejustering 90 grader nedad (10). Gå ud fra tyngdepunktsmærket (18), og monter sædet så langt fremme som muligt. Mærket skal helst sidde foran baghjulets aksel, men under ingen omstændigheder mere end 100 mm (3,94") bag punktet lige over baghjulets aksel. Drej beslaget til længdejustering tilbage til dets oprette position.

EL Περιστρέψτε το ρυθμιστή μήκους 90 μοίρες προς τα κάτω (10). Εντοπίστε το κέντρο της ένδειξης βαρύτητας (18) και τοποθετήστε το κάθισμα όσο πιο μπροστά γίνεται. Συστοιάται η ένδειξη να βρίσκεται πιο μπροστά από τον πίσω άξονα του τροχού. Ωστόσο, σε καμία περίπτωση η απόσταση ανάμεσα στον άξονα της πίσω ρόδας και την ένδειξη δεν πρέπει να υπερβαίνει τα 100 mm (3,94"). Περιστρέψτε το ρυθμιστή μήκους πίσω στην αρχική του θέση.

ET Põõrake pikkuseregulaatorit 90 kraadi allapoole (10). Otsige üles raskuskeskme tähis (18) ja paigaldage iste nii kaugele ette, kui see on võimalik. See tähis peaks jääma tagaratta telje ette, kuid mitte mingil juhul tagaratta vertikaalteljest kaugemale kui 100 mm (3,94"). Põõrake pikkuseregulaator uuesti püstiasendisse.

FI Käännä pituuden säädintä 90 astetta alaspäin (10). Painopisteen keskikohta on merkitty istuimeen (18). Asenna istuin niin eteen kuin se on mahdollista. Painopisteen keskikohtamerkin tulisi olla takapyörän akselin etupuolella, ja se ei saa missään tapauksessa

olla yli 100 mm takapyörän akselia taaempaan. Käännä pituuden säädin takaisin yläasentoon, kun säädöt on tehty.

HE סובבו את מתאם האורך 90 מעלות כלפי מטה (10). זהו את סימן מרכז הכובד והרכיבו את המושב קדימה ככל האפשר. עדיף שסימן זה יהיה ממוקם לפני סרן הנלגל האחורי, אך בשום אופן לא יותר מ-100 מ"מ מאחורי הנקודה הממוקמת בדיוק מעל סרן הנלגל האחורי. סובבו את מתאם האורך בחזרה למצב העליון.

HR/BIH Okrenite regulator duljine prema dolje za 90 stupnjeva (10). Pronađite oznaku težišta (18) te postavite sjedalicu prema naprijed koliko je to moguće. Poželjno je da ova oznaka bude ispred osovine stražnjeg kotača, ali ni u kojem slučaju više od 100 mm (3,94") iza točke koja je iznad osovine stražnjeg kotača. Vratite regulator duljine u uspravan položaj.

HU Forgassa 90 fokkal lefelé a hosszállítót (10). Keresse meg a tömegközéppont-jelét (18), és rögzítse az ülést annyira elöl, amennyire lehetséges. Ha lehet, a jelzés a hátsó kerék tengelyével szemben legyen, de semmiképpen se legyen 100 mm-nél hátrébb, mint a hátsó kerék feletti pont. Forgassa vissza függőleges állásba a hosszállítót.

IT Ruotare il regolatore della lunghezza di 90 gradi verso il basso (10). Individuare il centro del contrassegno del baricentro (18) e montare il seggiolino il più avanti possibile. Se possibile, mantenere il contrassegno davanti all'asse della ruota posteriore, non oltre 100 mm (3,94 pollici) dietro un punto posto in verticale al di sopra dell'asse della ruota posteriore. Riportare il regolatore della lunghezza rivolto verso l'alto.

JA 長さのアジャスターを下向きに90度回転させます(10)。重心マークの中心を見つけ(18)、シートをできるだけ前方に取り付けます。できるだけ、後輪の軸の前にこのマークが位置するように取り付け、その際に、後輪の軸から垂直に伸ばしたポイントから後方に100 mm(3.94インチ)以上離れないようにしてください。長さのアジャスターを上向きの位置まで後ろ側に回転させます。

KO 길이 조절기를 아래로 90도 회전합니다(10). 무게중심 표시(18)를 확인하고 좌표를 가능한 한 앞쪽에 장착합니다. 이 표시가 뒷바퀴 축의 앞부분에 오도록 하는 것이 좋으며 뒷바퀴 축 위의 수직 지점에서 뒤로 100mm(3.94") 이상의 지점에 오면 안 됩니다. 길이 조절기가 위를 향하도록 다시 회전합니다.

LT Pasukite ilgio reguliatorių 90 laipsnių kampu žemyn (10). Nustatykite svorio centro žymę (18) ir pritvirtinkite kėdutę kiek galima toliau priekyje. Rekomenduojama, kad ši žymė būtų galinio rato ašies priekyje, tačiau jokių būdu ne toliau nei 100 mm (3,94 col.) už taško, išvesto vertikaliai iš galinio rato ašies. Pasukite ilgio reguliatorių atgal į viršutinę padėtį.

LV Pagrieziet garuma regulētāju par 90 grādiem uz leju (10). Nosakiet gravitācijas atzīmes (18) centru un uzstādiet sēdekli, cik vien iespējams tālu uz priekšpusi. Visieteicamāk ir, ja šī atzīme ir aizmugurējā riteņa ass priekšpusē, bet nekādā gadījumā ne tālāk par 100 mm (3,94 collas) aiz punkta vertikāli virs aizmugurējā riteņa ass. Pagrieziet garuma regulētāju atpakaļ tā, lai tas būtu vērstš uz augšu.

NL Draai de lengteverstelling 90 graden naar beneden (10). Zoek het midden van de zwaartekrachtmarkering (18) en monteer de stoel zo ver naar voren als praktisch is. Deze markering moet bij voorkeur voor de as van het achterwiel zitten, maar absoluut niet meer dan 100 mm achter een punt verticaal boven de achterwielas. Draai de lengteverstelling terug in opwaartse stand.

NO Drei lengdejusteringen 90 grader nedover (10). Finn balansepunktmerket (18) og monter setet så langt fremme som mulig. Balansepunktmerket bør være foran bakhjulsakslingen og under ingen omstendighet lenger bak enn 100 mm (3,94 tommer), målt i forhold til den loddrette forlengelsen av akslingen. Roter lengdejusteringen tilbake til sin opprinnelige posisjon.

PL Przekręć regulator położenia fotelika o 90 stopni w dół (10). Znajdź znak środka ciężkości (18) i zamocuj fotelik w pozycji możliwie najbardziej wsuniętej do przodu. Najlepiej, by znak ten znajdował się nad osią tylnego koła i nigdy nie dalej niż 100 mm za osią tylnego koła w pionie. Przekręć regulator położenia fotelika z powrotem w górę.

PT Gire o regulador de comprimento em 90 graus para baixo (10). Identifique a marca do centro de gravidade (18) e monte o assento o mais longe possível. Preferencialmente, posicione essa marca à frente do eixo da roda traseira, mas não mais que 100 mm (3,94") atrás de um ponto verticalmente acima do eixo da roda traseira. Gire o regulador de comprimento de volta para sua posição para cima.

RO Rotiți ajutorul pe lungime la 90 de grade în jos (10). Identificați marcajul centrului de gravitate (18) și montați scaunul cât mai în față posibil. Este de preferat ca acest marcaj să fie în fața axei roții spate, dar nu la mai mult de 100 mm (3,94") în spatele unui punct pe verticală deasupra axei roții spate. Rotiți ajutorul pe lungime înapoi în poziție verticală.

RU Поверните устройство для регулировки длины на 90 градусов по направлению вниз (10). Найдите отметку центра тяжести (18) и установите сиденье как можно ближе к передней части велосипеда. Желательно, чтобы эта отметка находилась перед осью заднего колеса, ни в коем случае она не должна находиться на расстоянии более 100 мм за точкой, расположенной над осью заднего колеса. Поверните устройство для регулировки длины обратно в вертикальное положение.

SK Páčku na nastavenie dĺžky otočte o 90 stupňov nadol (10). Nájdite stred značky vyváženia (18) a sedačku namontujte čo najviac dopredu. Je vhodné, aby táto značka bola pred osou zadného kolesa, ale v žiadnom prípade nie viac ako 100 mm za

Thule RideAlong - Installation - Montage

bodomo kolmo nad osou zadného koleša. Páčku nastavenia dĺžky otočte späť do polohy smerujúcej nahor.

SL Regulator dolžine obrnite za 90 stopinj navzdol (10). Poiščite oznako težišča (18) in sedež namestite čim bolj spredaj. Če je mogoče, naj bo ta oznaka pred osjo zadnjega koleša, vendar nikakor več kot 100 mm (3,94") za točko, ki je navpično nad osjo zadnjega koleša. Regulator dolžine obrnite nazaj v pokončni položaj.

SV Vrid vredet för längdjustering (10) 90 grader nedåt. Identifiera tyngdpunktsmarkeringen (18) och montera sätet så långt fram som möjligt. Markeringen bör vara placerad framför bakhjulets axel, men får under inga omständigheter placeras mer än 100 mm bakom bakhjulets axel. Vrid upp vredet för längdjustering till det låsta läget igen.

TH หมุนตัวปรับความยาวลงทางด้านล่าง 90 องศา (10) กำหนดตำแหน่งศูนย์กลางของเครื่องหมายแรงโน้มถ่วง (18) และติดตั้งเก้าอี้ไปทางด้านหน้าให้มากที่สุดเท่าที่ทำได้ โดยควรให้เครื่องหมายนี้อยู่ทางด้านหน้าของแกนล้อหลัง แต่หม้ออยู่หลังเส้นแนวตั้งฉากของแกนล้อหลังเกินกว่า 100 มม. (3.94") จากนั้นหมุนตัวปรับความยาวกลับไปตำแหน่งขึ้น

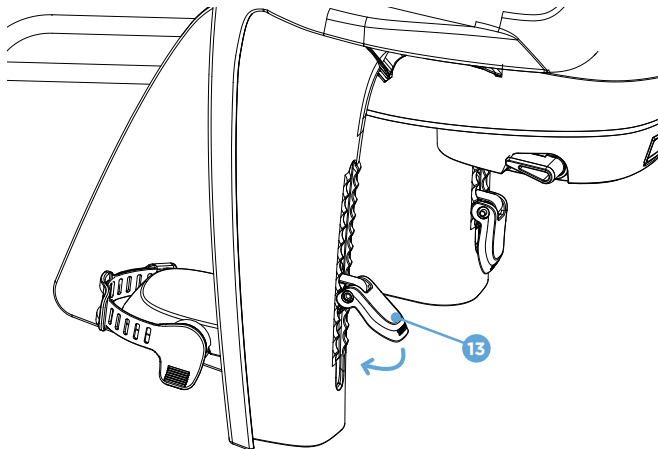
TR Uzunluk ayarlayıcısını aşağıya doğru 90 derece döndürün (10). Ağırlık merkezini belirleyin (18) ve koltuğu olabildiğince ileriye doğru monte edin. Bu işaretin, tercihen arka tekerlek ekseninin önünde olması istenir, ancak hiçbir durumda arka tekerlek eksenine dik ve üstündeki bir noktanın 100 mm'den (3,94 inç) daha fazla arkasında olmasın. Uzunluk ayarlayıcısını yukarı konumuna geri döndürün.

UK Поверніть регулятор довжини на 90 градусів униз (10). Знайдіть позначку центра ваги (18) і встановіть крісло якомога ближче наперед. Найкраще, коли ця позначка розташована перед віссю заднього колеса або не більше, ніж на 100 мм за нею. Поверніть регулятор довжини назад у верхнє положення.

ZH 将长度调节器 (10) 向下旋转 90 度。确定重心标志 (18) 中心，座椅安装位置尽可能靠前。重心标志最好位于后轮车轴之前，切勿向后超过后轮车轴垂直点 100 毫米 (3.94 英寸)。向上旋转长度调节器，使其恢复到原先位置。

6 Footrest adjustment Verstellung Fußstütze

EN Adjust the height of the footrest by turning the adjuster on the back upwards **13**. Position the footrest at the preferred height, and lock the adjuster by turning it downwards.



DE Passen Sie die Höhe der Fußstütze an, indem Sie den Versteller hinten nach oben schieben (13). Stellen Sie die gewünschte Höhe ein und stellen Sie den Versteller wieder nach unten, um die Fußstütze zu sichern.

FR Réglez la hauteur du repose-pieds en tournant l'ajusteur à l'arrière vers le haut (13). Placez le repose-pieds à la hauteur souhaitée et verrouillez l'ajusteur en le faisant tourner vers le bas.

ES Ajuste la altura del reposapiés girando el regulador de altura de la parte posterior hacia arriba (13). Coloque el reposapiés a la altura deseada y bloquee el regulador girándolo hacia abajo.

AR اضبط ارتفاع مسند القدمين من خلال تدوير جهاز الضبط بالخلف للأعلى (13). ضع مسند القدمين في أعلى نقطة مفضلة، ثم قم بتأمين جهاز الضبط من خلال تدويره للأسفل.

BG Регулирайте височината на поставките за краката, като бутнете разположения отзад механизъм за регулиране нагоре (13). Позиционирайте поставката за краката на желаната височина и заключете механизма за регулиране, като го бутнете надолу.

CS Chcete-li nastavit výšku nožní opěrky, nejprve odklopte pojistku (13). Umístěte nožní opěrku do požadované výšky a poté pojistku opět sklopte.

DK Juster fodstøttens højde ved at dreje beslaget bagpå opad (13). Indstil fodstøtten i den foretrukne højde, og lås beslaget ved at dreje det nedad.

EL Ρυθμίστε το ύψος του στηρίγματος ποδιού στρέφοντας προς τα πάνω το ρυθμιστή που βρίσκεται στο πίσω μέρος του καθίσματος (13). Τοποθετήστε το στηρίγμα ποδιού στο επιθυμητό ύψος και ασφαλίστε το ρυθμιστή στρέφοντάς το προς τα κάτω.

Thule RideAlong - Installation - Montage

ET Jalatõe kõrguse reguleerimiseks tõstke toe tagaküljel olev regulaator ülespoole (13). Asetage jalatugi soovitud kõrgusele ja lukustage regulaator, pöörates see alla.

FI Säädä jalkatuen korkeus kääntämällä takana oleva säädin (13) ylös. Aseta jalkatuki haluamallasi korkeudelle ja lukitse säädin sitten paikalleen kääntämällä se alas.

HE התאימו את גובה משענת הרגל על-ידי סיבוב המתאם בחלק האחורי כליפי מעלה (13). מקמו את משענת הרגל בגובה המועדף ונעלו את המתאם על-ידי סיבוב שלו כליפי מטה.

HR/BIH Prilagodite visinu oslonca za noge tako da okrenete regulator na stražnjoj strani prema gore (13). Postavite oslonac za noge na željenu visinu te zaključajte regulator tako da ga okrenete prema dolje.

HU Állítsa be a lábtámasz magasságát a hátsó állító felfelé állásba való elfordításával (13). Helyezze a lábtámaszt a kívánt magasságba, és lefelé fordítva rögzítse az állítót.

IT Regolare l'altezza del poggiapiedi ruotando il regolatore posteriore verso l'alto (13). Posizionare il poggiapiedi all'altezza desiderata e bloccare il regolatore ruotandolo verso il basso.

JA 背面のアジャスターを上方向に回転させて、フットレストの高さを調整します(13)。フットレストの位置を好みの高さに合わせたら、アジャスターを下方向に回転させてロックします。

KO 뒷부분의 조절기를 위로 회전하여 발판의 높이를 조절합니다 (13). 원하는 높이에 발판을 배치하고 조절기를 아래로 회전하여 고정합니다.

LT Kojų atramų aukštį koreguokite pasukdami gale esantį regulatorių į viršų(13). Nustatykite kojų atramų norimame aukštyje ir užrakinkite regulatorių pasukdami į žemyn.

LV Pielāgojiet kāju paliktņā augstumu, pagriežot regulētāju aizmugurē uz augšu (13). Novietojiet kāju paliktņi vajadzīgajā augstumā un nobloķējiet regulētāju, pagriežot to uz leju.

NL Verstel de hoogte van de voetensteun door de verstelling op de achterkant naar boven te draaien (13). Zet de voetensteun op de gewenste hoogte, en vergrendel de verstelling door deze naar beneden te draaien.

NO Juster høyden på fotstøtten ved å dreie justeringen på baksiden oppover (13). Plasser fotstøtten i ønsket høyde og lås justeringen ved å dreie den nedover.

PL Wyreguluj wysokość podnóżka, odblokowując ku górze dźwignię umieszczonego z tyłu regulatora (13). Ustaw podnóżek na odpowiedniej wysokości i zablokuj regulator, opuszczając dźwignię w dół.

PT Ajuste a altura do apoio para pé ao girar o regulador na traseira para cima (13). Posicione o apoio para pé na altura preferida e trave o regulador ao girá-lo para baixo.

RO Reglați înălțimea suportului pentru picior rotind ajustorul în partea din spate în sus (13). Poziționați suportul pentru picior la înălțimea dorită și blocați ajustorul prin rotirea în jos.

RU Настройте высоты опоры для ног, поворачивая устройство для регулировки вверх (13). Разместите опору для ног на необходимой высоте и зафиксируйте устройство для регулировки, опустив его вниз.

SK Nastavte výšku podnožky otočením páčky na jej nastavenie na zadnej strane nahor (13). Podnožku umiestnite do požadovanej výšky a páčku zaistite otočením nadol.

SL Višino naslona za noge prilagodite tako, da obrnete regulator višine na hrbtni strani navzgor (13). Postavite naslon za noge na želeno višino in zaklenite regulator višine tako, da ga obrnete navzdol.

SV Justera fotstödetets höjd genom att vrida ut vredet på baksidan. (13). Placera fotstödet i lämplig höjd och lås vredet genom att trycka det nedåt igen.

TH ปรับความสูงของที่พักเท้าโดยหมุนตัวปรับที่อยู่ด้านหลังขึ้น (13) จัดตำแหน่งที่พักเท้าให้ไ้ระดับความสูงตามต้องการ แล้วล็อคตัวปรับโดยหมุนลง

TR Ayarlayıcıyı yukarıya doğru geri döndürerek ayak dayama yerinin yüksekliğini ayarlayın (13). Ayak dayama yerini tercih edilen yüksekliğe yerleştirin ve ayarlayıcıyı aşağıya doğru döndürerek kilitleyin.

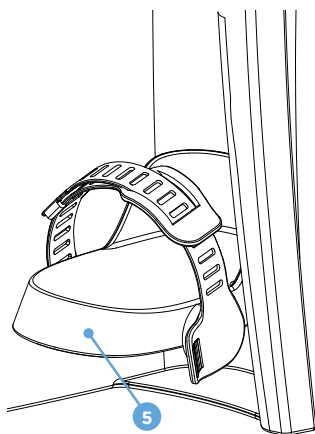
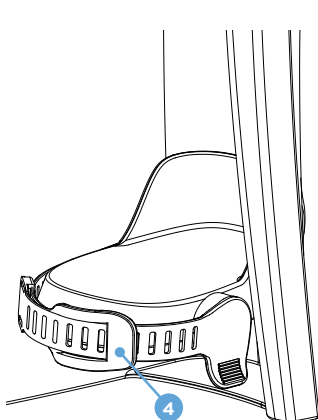
UK Відрегулюйте висоту підніжки, повернувши регулятор зі зворотного боку вверх (13). Установіть підніжку на потрібній висоті й заблокуйте регулятор, повернувши його вниз.

ZH 向上转动脚踏背面的调节器 (13) 可以调整脚踏高度。将脚踏固定在理想高度，然后向下转动调节器将其锁定。

Thule RideAlong - Installation - Montage

7 Footstrap adjustment Verstellung Fußschlaufen

EN The footstraps 4 can be rotated down to be flush with the footrest 5. To secure the foot, rotate the footstrap upwards over the foot and adjust it to fit the size of the foot.



DE Die Fußschlaufen (4) können bündig mit der Fußstütze (5) nach unten geklappt werden. Zur Sicherung der Füße werden die Fußschlaufen nach oben über die Füße geklappt und an die Fußgröße angepasst.

FR Les sangles du repose-pieds (4) peuvent être abaissés et intégrés au repose-pieds (5). Pour maintenir les pieds en place, remontez les sangles et réglez-les en fonction de la taille des pieds.

ES Las correas para los pies (4) pueden girarse hacia abajo para quedar al nivel del reposapiés (5). Para asegurar los pies, gire la correa hacia arriba sobre el pie y ajústela adaptándola al tamaño del pie.

AR يمكن تدوير أربطة القدمين (4) لأسفل لتكون مسطحة مع مسند القدمين (5). لتثبيت القدم، قم بتدوير رباط القدم لأعلى فوق القدم، ثم اضبطه ليلانم حجم القدم.

BG Каишките за краката (4) могат да се свалят, за да се регулират спрямо поставката за краката (5). За да обезопасите крака, вдигнете каишката върху крака и я регулирайте според размера на крака.

CS Nožní pásky (4) lze sklopit tak, aby byly v jedné rovině s nožní opěrkou (5). Chcete-li jimi připoutat nohy svého dítěte, otočte je směrem nahoru přes botu a podle potřeby utáhněte.

DK Fodremmene (4) kan drejes ned, så de flugter med fodstøtten (5). For at sikre foden roteres fodremmen opad over foden og justeres, så den passer til fodens størrelse.

EL Τα λουράκια ποδιού (4) μπορούν να περιστρέφονται μαζί με το στήριγμα ποδιού (5). Για να ασφαλίσετε το πόδι, περιστρέψτε το λουράκι ποδιού προς τα πάνω, πάνω από το πόδι, και προσαρμόστε το ώστε να ταιριάζει στο μέγεθος του ποδιού.

IT Jalarihmäd (4) saab alla lükata, et need oleksid jalatugedega ühetasased (5). Jala kinnitamiseks tõstke jalarihm üles jala kohale ja reguleerige vastavalt jala suurusle.

FI Jalkahihnat (4) voi kääntää alas niin, että ne ovat samassa tasossa jalkatuen (5) kanssa. Jos haluat rajoittaa lapsen jalkojen liikettä, käännä jalkahihna ylös jalan päälle ja säädä jalkahihna sitten jalan koon mukaiseksi.

HE (4) ניתן לסובב את רצועת הרגל כלפי מטה כך שתהיה מקבילה למשענת הרגל (5). כדי לשמור את הרגל במקומה, סובבו את רצועת הרגל כלפי מעלה מעל הרגל והתאימו אותה לפי גודל הרגל.

HR/BIH Trake za stopala (4) mogu se okrenuti dolje tako da budu u ravni s osloncem za noge (5). Da biste učvrstili stopalo, okrenite traku za stopalo prema gore, odnosno preko stopala, te je prilagodite veličini stopala.

HU A lábszíjakat (4) lefelé fordítva beállíthatja, hogy egy szintben legyenek a lábtámasszal (5). A láb rögzítéséhez fordítsa felfelé a lábtámasszt, és állítsa be a láb méretéhez.

IT È possibile ruotare le cinghie fermapiiedi (4) verso il basso in modo che siano a contatto con il poggiapiedi (5). Per fissare il piede, ruotare le cinghie fermapiiedi verso l'alto sopra il piede e regolarle rispetto alla misura di quest'ultimo.

JA フットストラップ(4)を下方向に回転させると、フットレスト(5)とちょうど重なります。足を安全に乗せることができます。フットストラップを上方向に回転させ、足のサイズに合うよう調整します。

KO 풋스트랩(4)을 아래로 회전하여 발판(5)과 수평이 되도록 할 수 있습니다. 발을 고정하려면 발 위에서 풋스트랩을 위로 회전하고 발의 크기에 맞게 조절합니다.

LT Dirželius kojoms (4) galima pasukti žemyn ir sulygiuoti su kojų atrama (5). Norėdami pritvirtinti pėdą, pasukite dirželį kojoms aukšty virš pėdos ir reguliuokite pagal pėdos dydį.

LV Kāju siksnas (4) var pagriezt uz leju, lai tās piegultu kāju paliktņim (5). Lai nostiprinātu kāju, pagrieziet kāju siksnu uz augšu virs pēdas un pielāgojiet to atbilstoši pēdas lielumam.

NL De voetbandjes (4) kunnen naar beneden worden gedraaid zodat ze gelijk staan met de voetensteun (5). Draai om de voet vast te zetten het voetbandje opwaarts over de voet en verstel het zodat de voet er goed in past.

NO Fotstroppene (4) kan svinges ned slik at de kommer i flukt med fotstøttene (5). Du låser foten ved å svinge fotstroppen opp og over foten. Juster fotstroppen slik at den passer til størrelsen på foten.

PL Zapięcia stóp (4) można przekreślić w dół do poziomu podnóżków (5). Aby zabezpieczyć stopę, obróć pasek w górę i zaciśnij, dopasowując go do obwodu stopy.

PT As tiras para pés (4) podem ser giradas para baixo para ser removidas junto com os apoios para os pés (5). Para prender o pé, gire a tira para cima sobre o pé e ajuste-a de acordo com o tamanho do pé.

RO Benzile de fixare (4) pot fi rotite în jos pentru a fi la nivel cu suportul pentru picior (5). Pentru a fixa piciorul, rotiți banda de fixare în sus, peste picior și reglați-o după dimensiunea piciorului.

RU Фиксаторы для ног (4) можно поворачивать вниз, чтобы выровнять их с опорой (5). Чтобы обеспечить безопасность стоп, поверните фиксаторы для ног вверх над ступней и отрегулируйте их по размеру ноги.

SK Popruhy na nohy (4) sa dajú sklopiť tak, aby boli v rovine s podnožkou (5). Ak chcete zaistiť nohu dieťaťa, prevlečte mu popruh cez nohu a nastavte ho podľa veľkosti jeho nohy.

SL Pasove za noge (4) lahko obrnete navzdol, da so poravnani z nasloni za noge (5). Za pritrditev noge obrnite pas navzgor prek noge in ga prilagodite njeni velikosti.

Thule RideAlong - Installation - Montage

SV Fotbanden (4) kan vridas ned för att hamna i nivå med fotstödet (5). Du spänner fast barnets fötter genom att vrida upp fotbanden och justera banden till fötternas storlek.

TH สายรัดเท้า (4) สามารถหมุนลง เพื่อให้ได้ระดับเสมอกับที่ปักเท้า (5) เมื่อต้องการยึดเท้าให้แน่น ให้หมุนสายรัดเท้าขึ้นเหนือเท้าและปรับให้พอดีกับขนาดของเท้า

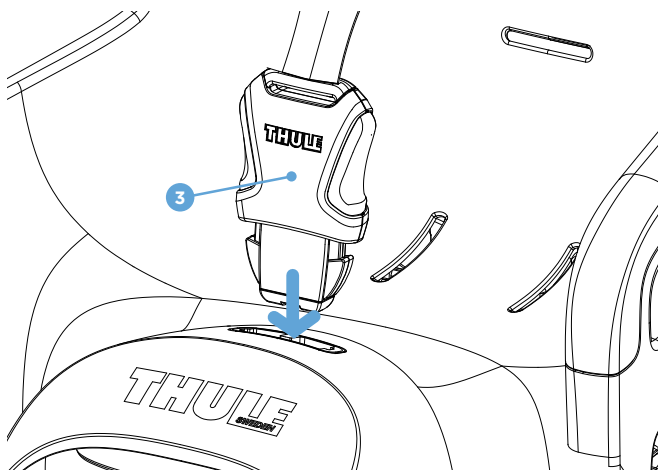
TR Ayak kayışları (4) ayak dayama yerine (5) sıfır olacak şekilde aşağıya doğru döndürülebilir. Ayağı emniyete almak için, ayak kayışını ayağın üzerinden yukarıya doğru döndürün ve ayağın ölçüsüne göre ayarlayın.

UK Фіксатори для ніг (4) можна опустити вниз, щоб вирівняти з підніжкою (5). Щоб закріпити ногу, підніміть фіксатор угору над ногою та відрегулюйте його натяг відповідно до розміру ноги.

ZH 脚袢 (4) 可以向下旋转至与脚踏 (5) 齐平。为了保护脚部安全，将脚袢向上旋转至脚面上方，并进行适当调整以适应脚的大小。

8 Harness fastening Fixierung Gurte

EN Secure the harness by inserting the safety buckle **3** until you hear a click. To release the harness, press the two buttons simultaneously and pull the safety buckle upwards.



DE Sichern Sie den Gurt im Gurtschloss (3), bis dieser mit einem Klicken einrastet. Lösen Sie den Gurt durch gleichzeitiges Drücken der beiden Tasten am Gurtschloss, und ziehen Sie ihn nach oben.

FR Attachez le harnais en insérant la boucle de sécurité (3) jusqu'à ce qu'un clic se fasse entendre. Pour détacher le harnais, appuyez sur les deux boutons simultanément et tirez la boucle de sécurité vers le haut.

ES Asegure el arnés insertando la hebilla de seguridad (3) hasta que oiga un sonido de clic. Para soltar el arnés, pulse los dos botones a la vez y tire de la hebilla de seguridad hacia arriba.

AR ثَبِّتِ حزام الشد عن طريق إدخال إبزيم الأمان (3) حتى تسمع صوت استقراره في موضعه. لتحرير حزام الشد، اضغط على الزرَّين في نفس الوقت، ثم اسحب إبزيم الأمان للأعلى.

BG Заклучете коланите, като пъхнете обезопасителната катарамa (3) в отвора, докато чуete щракване. За да освободите коланите, натиснете едновременно двата бутона и издърпайте обезопасителната катарамa нагоре.

CS Popruhy se zajišťují bezpečnostní přezkou (3). Zasuňte ji na místo, dokud neuslyšíte cvaknutí. Až popruhy budete chtít uvolnit, stiskněte současně dvě tlačítka po stranách přezky a přezku vytáhněte.

DK Lås selen fast ved hjælp af sikkerhedsbeslaget (3), indtil du hører et klik. Løs selen ved at trykke på de to knapper samtidig, og træk sikkerhedsbeslaget opad.

EL Ασφαλίστε τη ζώνη εισάγοντάς την στην πόρπη ασφαλείας (3) μέχρι να ακούσετε ένα κλικ. Για να ανοίξετε τη ζώνη, πιέστε τα δύο κουμπιά ταυτόχρονα και τραβήξτε την πόρπη ασφαλείας προς τα πάνω.

Thule RideAlong - Installation - Montage

ET Turvarihmade kinnitamiseks lükake turvapannal (3) klõpsuga sisse. Turvarihmade vabastamiseks vajutage samaaegselt pandla külgedel olevat kaht nuppu ja tõmmake turvapannalt ülespoole.

FI Kiinnitä valjaat turvasolkeen (3) niin, että kuulet naksahduksen. Kun haluat vapauttaa valjaat, paina kahta painiketta samanaikaisesti ja vedä valjaat irti salvasta.

HE דקו את הרתמה על-ידי הכנסת אבזם הבטיחות (3) עד שתשמעו נקישה. כדי לשחרר את הרתמה, לחצו בו-זמנית על שני הלחצנים ומשכו את אבזם הבטיחות כלפי מעלה.

HR/BIH Učvrstite remenje umetanjem sigurnosne kopče (3) dok ne škljocne. Za otpuštanje remenja istodobno pritisnite oba gumba i povucite sigurnosnu kopču prema gore.

HU Rögzítse a biztonsági övet a csat (3) kattanásig való benyomásával. A biztonsági öv kioldásához nyomja meg egyszerre a két gombot, és húzza a csatot felfelé.

IT Fissare l'imbracatura inserendo la fibbia di sicurezza (3) fino a sentire un clic. Per sganciare l'imbracatura, premere i due pulsanti contemporaneamente e tirare la fibbia di sicurezza verso l'alto.

JA カチッと音がするまでセーフティバックル(3)を差し込み、ハーネスをしっかり固定します。ハーネスを緩めるには、2個のボタンを同時に押し、安全バックルを上方向に引っ張ります。

KO 찰칵하는 소리가 날 때까지 안전 버클(3)을 삽입하여 벨트를 고정합니다. 벨트를 풀려면 두 버튼을 동시에 누르고 안전 버클을 위로 당깁니다.

LT Pritvirtinkite saugos diržus įstatydami juos į saugią sagtį (3), kol išgirsite spragtelėjimą. Norėdami saugos diržus atlaisvinti, paspauskite du mygtukus vienu metu ir pritraukite saugią sagtį aukšty.

LV Nostipriniet drošības jostu, ievietojot drošības sprādzi (3), līdz tā noklikšķ. Lai atbrīvotu drošības jostas, vienlaikus nospiediet abas slēdža pogas un pavelciet drošības sprādzi uz augšu.

NL Zet de gordel vast door de veiligheids gesp (3) erin te steken tot u een klik hoort. Om de gordel los te maken drukt u tegelijkertijd op de twee knoppen en trekt u de veiligheids gesp naar boven.

NO Lås festeselen ved å skyve inn låsespennene (3) til du hører et klikk. Åpne festeselen ved å presse inn de to knappene samtidig og trekke låsespennene oppover.

PL Aby zapiąć szelki, wsuń klamrę zabezpieczającą (3), aż usłyszysz kliknięcie. Aby rozpiąć szelki, naciśnij jednocześnie dwa przyciski z boku klamry i pociągnij ją w górę.

PT Prenda o cinto ao inserir a fivela de segurança (3) até ouvir um clique. Para soltar o cinto, pressione os dois botões simultaneamente e puxe a fivela de segurança para cima.

RO Fixați centura prin introducerea cataramei de siguranță (3) până când auziți un clic. Pentru a elibera centura, apăsați simultan cele două butoane și trageți de catarama de siguranță în sus.

RU Закрепите ремень безопасности, вставив его в замок (3) до щелчка. Чтобы освободить ремень, одновременно нажмите две кнопки и потяните замок ремня безопасности вверх.

SK Popruh zabezpečte vložení bezpečnostnej pracky (3), až kým nezacvakne. Ak chcete uvoľniť popruh, stlačte naraz obidve tlačidlá na bezpečnostnej pracke a vyťahnite ju nahor.

SL Varnostni pas vstavite v varnostno zaponko (3), dokler ne zaslišite klika. Za sprostitev pasu istočasno pritisnite oba gumba in povlecite varnostno zaponko navzgor.

SV Lås fast selen genom att trycka ned säkerhetsspännet (3) tills du hör ett klick. Du låser upp selen genom att samtidigt trycka på de två knapparna och dra säkerhetsspännet uppåt.

TH ยึดสายรัดนิรภัยให้แน่นโดยใส่เข้ากับหัวเข็มขัดนิรภัย (3) เข้าไปจนได้ยินเสียงคลิก หากต้องการปลดสายรัดนิรภัย กดปุ่มทั้งสองพร้อมกัน แล้วดึงหัวเข็มขัดนิรภัยขึ้น

TR Güvenlik tokasını (3) bir klik sesi duyana kadar ileri iterek emniyet kemerini takın. Emniyet kemerini çıkarmak için, iki düğmeye aynı anda basın ve güvenlik tokasını yukarıya doğru çekin.

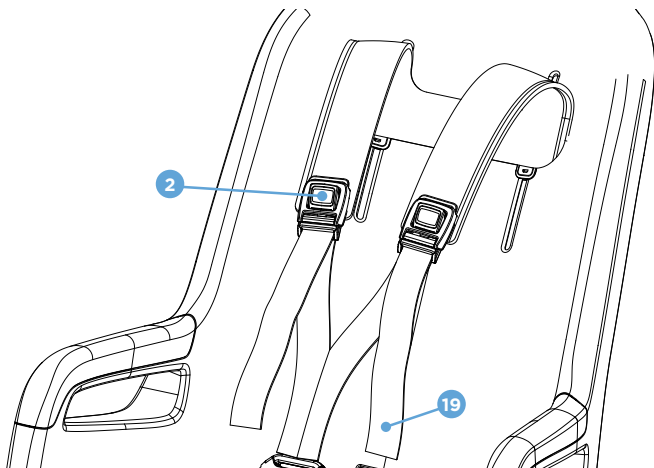
UK Закріпіть ремені безпеки, вставивши запобіжну пряжку (3) до клацання. Щоб відстігнути ремені безпеки, натисніть одночасно дві кнопки й потягніть запобіжну пряжку вгору.

ZH 插入安全卡扣 (3) 直到听到咔哒一声，即可固定安全带。同时按住两个按钮，向上拉起安全卡扣，即可释放安全带。

Thule RideAlong - Installation - Montage

9 Harness adjustment Längenverstellung Gurte

EN The length of the harness is easily adjustable. Shorten the straps with a one-handed pull on the end of the strap **19**. Lengthen the straps by pressing the blue button **2** and pulling the straps upwards.



DE Die Länge des Gurts kann bequem angepasst werden. Straffen Sie den Gurt, indem Sie die Enden mit einer Hand nach unten ziehen (19). Um den Gurt zu lockern, drücken Sie den blauen Gurtversteller (2) und ziehen Sie ihn nach oben.

FR La longueur du harnais peut être réglée facilement. Raccourcissez les sangles en tirant d'une main sur l'extrémité de la sangle (19). Allongez les sangles en appuyant sur le bouton bleu (2) et en tirant les sangles vers le haut.

ES La longitud del arnés se ajusta fácilmente. Acorte las correas tirando del extremo de las mismas (19). Alarguelas pulsando el botón azul (2) y tirando de las correas hacia arriba.

AR يمكن ضبط طول حزام الشد بسهولة. يمكنك تقليل طول الأحزمة عن طريق السحب بيد واحدة عند طرف الحزام (19). ويمكنك زيادة طول الأحزمة عن طريق الضغط على الزر الأزرق (2) وسحب الأحزمة للأعلى.

BG Дължината на коланите се регулира лесно. Намалете дължината с една ръка, като дръпнете края на колана (19). Увеличете дължината, като натиснете синия бутон (2) и издърпате колана нагоре.

CS Popruhy lze velmi snadno upravit na požadovanou délku. Pokud je potřebujete zkrátit, zatáhněte jednou rukou za konec pásků (19). Pokud je chcete prodloužit, stiskněte modré tlačítko (2) a povytáhněte pásky nahoru.

DK Det er nemt at justere selens længde: Afkort remmene ved at trække med én hånd i enden af hver rem (19). Forlæng remmene ved at trykke på den blå knap (2) og trække remmene opad.

EL Το μήκος της ζώνης ρυθμίζεται εύκολα. Κοντύνετε τη ζώνη τραβώντας προς τα κάτω την άκρη της ζώνης (19) με το ένα χέρι. Επιμηκύνετε την πατώντας το μπλε κουμπί (2) και τραβώντας τη ζώνη προς τα πάνω.

ET Turvarihmade pikkust saab hõlpsalt reguleerida. Turvarihmade lühendamiseks tõmmake rihma otsa ühe käega. (19). Turvarihmade pikendamiseks vajutage sinist nuppu (2) ja tõmmake rihmu ülespoole.

FI Valjaiden pituuden säätö on helppoa. Niitä lyhennetään vetämällä valjaan päässä olevista hihnoista (19). Kun haluat pidentää valjaita, paina sinistä painiketta (2) ja vedä hihnoja ylöspäin.

HE ניתן להתאים את אורך הרתמה בקלות. קצרו את הרצועות במשיכה ביד אחת בקצה הרצועות (19). האריכו את הרצועות על-ידי לחיצה על הלחצן הכחול (2) ומשיכת הרצודנות כלפי מעלה.

HR/BIH Duljina remenja jednostavno se može prilagoditi. Skratite trake tako što ćete jednom rukom povući kraj trake (19). Produljite trake tako što ćete pritisluti plavi gumb (2) i povući trake prema gore.

HU A biztonsági öv hossza könnyedén beállítható. A szíjak hosszának csökkentéséhez egy kézzel húzza meg a szíj végét (19). A szíjak hosszának növeléséhez nyomja meg a kék gombot (2), és húzza a szíjat felfelé.

IT La lunghezza dell'imbracatura è regolabile in maniera molto semplice. Accorciare le cinghie tirando con una sola mano le estremità delle stesse (19). Allungare le cinghie premendo il pulsante blu (2) e tirando le cinghie verso l'alto.

JA ハーネスの長さは簡単に調整できます。ストラップを短くするには、ストラップの端を片手で引っ張ります(19)。ストラップを長くするには、青いボタン(2)を押してストラップを上方向に引っ張ります。

KO 벨트의 길이는 쉽게 조절할 수 있습니다. 스트랩의 길이를 줄이려면 스트랩 끝에 있는 당김 줄을 한 손으로 당깁니다(19). 스트랩의 길이를 늘리려면 파란색 버튼(2)을 누르고 스트랩을 위로 당깁니다.

LT Saugos diržų ilgis lengvai reguliuojamas. Sutrumpinti diržus galite viena ranka traukdami už diržo galo (19). Pailginti diržus galite paspaudę mėlyną mygtuką (2) ir patraukę diržus aukštyn.

LV Jostu garums ir viegli pielāgojams. Saīsiniet jostu garumu, ar vienu roku pavelkot katras jostas galu (19). Ja jostas jāpagarina, nospiediet zilo pogu (2) un pavelciet tās uz augšu.

NL De lengte van de gordel is gemakkelijker te verstellen. Verkort de riemen door met een hand aan het eind van de riem (19) te trekken. Verleng de riemen door op de blauwe knop (2) te drukken en de riemen omhoog te trekken.

NO Lengden på festeselen kan enkelt justeres. Du korter inn stroppeene ved å trekke i stroppeendene (19). Du forlenger stroppeene ved å trykke inn den blå knappen (2) og trekke stroppeene oppover.

PL Długość szelek można łatwo wyregulować. Aby skrócić pas, chwyć jego koniec i pociągnij (19). Aby wydłużyć pas, nacisnij niebieski przycisk (2) i pociągnij pas do góry.

PT O comprimento do cinto é facilmente ajustável. Encurte as tiras ao puxar com uma mão a extremidade da tira (19). Estenda as tiras ao pressionar o botão azul (2) e puxar as tiras para cima.

RO Lungimea centurii poate fi reglată cu ușurință. Scurtați curelele trăgând cu o mână de capătul curelei (19). Măriți lungimea curelelor apăsând butonul albastru (2) și trăgând de curele în sus.

RU Длина ремня безопасности легко регулируется. Укоротите ремни, потянув их одной рукой за конец ремня (19). Увеличить длину ремня можно, нажав синюю кнопку (2) и потянув ремни вверх.

Thule RideAlong - Installation - Montage

SK Dĺžku popruhu je ľahké nastaviť. Popruhy môžete skrátiť potiahnutím konca popruhu (19) len jednou rukou. Popruhy predĺžite stlačením modrého tlačidla (2) a potiahnutím popruhov nahor.

SL Dolžino pasu lahko preprosto prilagajate. Skrajšate ga tako, da z eno roko povlečete za konec pasu (19), podaljšate pa tako, da pritisnete modri gumb (2) in povlečete pas navzgor.

SV Selens längd kan enkelt justeras. Du kortar banden genom att dra med en hand i bandens ändar (19). Du förlänger banden genom att trycka på den blå knappen (2) och dra banden uppåt.

TH สายรัดนิรภัยยาวพอที่จะปรับได้อย่างง่ายดาย รนสายรัดได้โดยดึงที่ปลายสายรัดด้วยมือเดียว (19) ปรับสายรัดให้ยาวขึ้นได้โดยกดปุ่มสีฟ้า (2) แล้วดึงสายรัดขึ้น

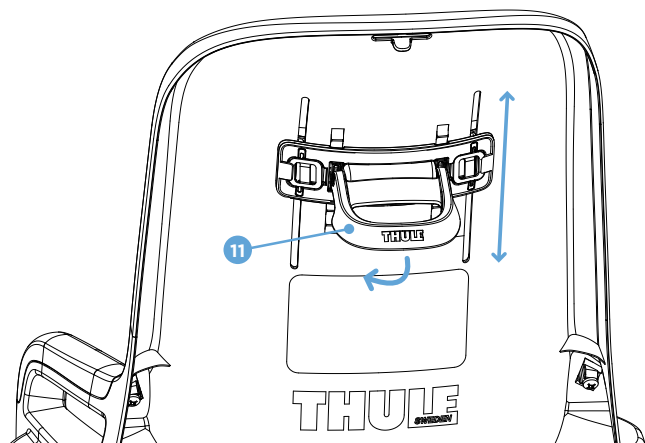
TR Emniyet kemerinin uzunluđu kolayca ayarlanabilir. Kayışın ucunu tek elle çekerek kayışları kısaltın (19). Mavi düğmeye (2) basarak ve kayışları yukarıya doğru çekerek kayışları uzatın.

UK Довжина ременів безпеки легко регулюється. Щоб зробити їх коротшими, потягніть однією рукою за кінець ремінця (19). Щоб зробити ремені безпеки довшими, натисніть блакитну кнопку (2) і потягніть ремінці вгору.

ZH 安全带长度可以轻松调节。单手拉带端 (19) 即可缩短安全带。按住蓝色按钮 (2) 并向上拉安全带, 即可延长安全带。

10 Harness height adjustment Höhenverstellung Gurte

EN Adjust the height of the harness to fit your child. For best security and comfort, the harness should be positioned in level with the child's shoulders. Turn the harness height adjuster **11** upwards. Adjust the harness to the appropriate height, and then turn the adjuster downwards to secure the harness.



DE Passen Sie die Höhe des Gurts an die Größe Ihres Kindes an. Für optimale Sicherheit und höchsten Komfort sollte sich der Gurt in Schulterhöhe des Kindes befinden. Schieben Sie dazu den Höhenversteller (11) nach oben. Stellen Sie die gewünschte Höhe ein und schieben Sie den Versteller wieder nach unten, um den Gurt zu sichern.

FR Adaptez la hauteur du harnais à votre enfant. Pour plus de sécurité et de confort, le harnais doit se trouver au niveau de ses épaules. Levez l'ajusteur de hauteur (11) vers le haut. Réglez le harnais à la bonne hauteur, puis rabaissez l'ajusteur pour bloquer le harnais.

ES Ajuste la altura del arnés para adaptarlo a las dimensiones del niño. Para mayor seguridad y comodidad, el arnés debería quedar a la altura de los hombros del niño. Gire el regulador de altura del arnés (11) hacia arriba. Ajuste

el arnés a la altura adecuada y, seguidamente, gire el regulador hacia abajo para asegurar el arnés.

AR اضبط ارتفاع حزام ليلتام الطفل. لتوفير أقصى درجات الأمان والراحة، يجب وضع حزام الشد على مستوى كتفي الطفل. قم بتدوير جهاز ضبط ارتفاع حزام الشد (11) للأعلى. واضبط حزام الشد حسب الارتفاع الملائم، ثم قم بتدوير جهاز الضبط للأسفل لتثبيت حزام الشد.

BG Регулирайте височината на коланите, така че да е подходяща за вашето дете. За най-добра безопасност и комфорт коланите трябва да бъдат поставени на нивото на рамената на детето. Бутнете нагоре механизма за регулиране на височината на коланите (11). Регулирайте коланите на подходящата височина и след това бутнете механизма за регулиране надолу, за да заключите коланите.

Thule RideAlong - Installation - Montage

CS Aby popruhy vašemu dítěti skutečně seděly, můžete upravit jejich výšku. S ohledem na pohodlí i bezpečnost by měly být ideálně ve výšce ramen dítěte. Odklopte pojistku pro nastavení výšky popruhů (11) směrem nahoru. Posuňte popruhy do správné výšky a potom pojistku znovu sklopte. Zajistěte popruhy na místě.

DK Juster selens højde, så den passer til dit barn. For at opnå største sikkerhed og komfort skal selen placeres med samme højde som barnets skulder. Drej beslaget til justering af selens højde (11) opad. Juster selen til den passende højde, og drej derefter beslaget nedad for at låse selen.

EL Ρυθμίστε το μήκος της ζώνης ώστε να ταιριάζει στο παιδί. Για μεγαλύτερη ασφάλεια και άνεση, η ζώνη θα πρέπει να είναι ευθυγραμμισμένη με τους ώμους του παιδιού. Στρέψτε το ρυθμιστή μήκους της ζώνης (11) προς τα πάνω. Προσαρμόστε τη ζώνη στο κατάλληλο ύψος και στρέψτε προς τα κάτω το ρυθμιστή για να ασφαλίσετε τη ζώνη.

ET Reguleerige turvarihmade pikkus lapse suurusele vastavaks. Parema turvalisuse ja mugavuse nimel tuleb turvarihmad paigutada lapse õlgadega samale kõrgusele. Pöörake turvarihmade kõrguse regulaator (11) üles. Paigutage turvarihmad sobivale kõrgusele ja lükake regulaator turvarihmade kinnitamiseks alla.

FI Säädä valjaiden korkeus lapselle sopivaksi. Turvallisuus ja käyttömukavuus on paras mahdollinen, kun valjaat asetetaan lapsen hartioiden tasalle. Käännä valjaiden korkeuden säädin (11) ylös. Säädä valjaat haluamallasi korkeudelle ja lukitse valjaiden säädöt sitten kääntämällä korkeuden säädin alas.

HE התאימו את גובה הרתמה לפי גובה הילד. לבטיחות ונוחות מרבית, הרתמה צריכה להיות ממוקמת בקו גובה הכתפיים של הילד. סובבו את מתאם גובה הרתמה (11) כלפי מעלה. התאימו את הרתמה לגובה המתאים ולאחר מכן סובבו את המתאם כלפי מטה כדי לקבע את הרתמה.

HR/BIH Prilagodite visinu remenja tako da odgovara djetetu. Remenje treba postaviti na visinu djetetovih ramena radi što veće sigurnosti i udobnosti. Okrenite regulator visine remenja (11) prema gore. Postavite remenje na željenu visinu, a zatim okrenite regulator prema dolje da biste učvrstili remenje.

HU Gyermeke kényelméért állítsa be a biztonsági öv magasságát. A fokozott biztonság és kényelem érdekében a biztonsági övet a gyermek vállaival egy magasságba kell állítani. Fordítsa az övmagasság-állítót (11) felfelé. Állítsa megfelelő magasságra, majd fordítsa lefelé az állítót a rögzítéséhez.

IT Regolare l'altezza dell'imbracatura per adattarla al bambino. Per garantire la massima sicurezza e il massimo comfort, l'imbracatura deve essere posizionata a livello delle spalle del bambino. Ruotare verso l'alto il regolatore dell'altezza dell'imbracatura (11), adattare l'imbracatura all'altezza adeguata, quindi ruotare il regolatore verso il basso per fissarla.

JA 子供に合わせてハーネスの高さを調整します。安全性と快適性のために、ハーネスの位置は子供の肩の高さになるようにします。ハーネスの高さ調節用アジャスター(11)を上方向に回転させ、ハーネスを適切な高さに調整してから、アジャスターを下方向に回転させてハーネスをしっかりと固定します。

KO 어린이의 몸에 맞게 벨트의 높이를 조절합니다. 최대의 안전과 안락함을 보장하려면 벨트가 어린이의 어깨 높이에 위치해야 합니다. 벨트 높이 조절기(11)를 위로 돌립니다. 적절한 높이에 맞춰 벨트를 조절한 후 조절기를 아래로 돌려 벨트를 고정합니다.

LT Sureguliuokite saugos diržų aukštį pagal vaiką. Kad saugos diržai geriausiai apsaugotų ir būtų patogūs, jie turėtų būti vaiko pečių lygyje. Pasukite saugos diržų aukščio reguliatorių (11) aukštyn. Nustatykite tinkamą saugos diržų aukštį, tada pasukite reguliatorių žemyn, kad pritvirtintumėte saugos diržus.

LV Pielāgojiet jostu augstumam. Lielākai drošībai un ērtībām jostām ir jābūt novietotām bērna plecu augstumā. Pagrieziet jostu augstuma regulētāju (11) uz augšu. Pielāgojiet jostas vajadzīgajā garumā un pēc tam nospiediet regulētāju uz leju, lai jostas tiktu nofiksētas.

NL Verstel de hoogte van de gordel in overeenstemming met de lengte van uw kind. Voor de veiligheid en comfort van uw kind moet de gordel ter hoogte van de schouders van het kind worden geplaatst. Draai de gordelhoogteversteller (11) opwaarts. Zet de gordel op de juiste hoogte, en draai de verstelling dan naar beneden om de gordel vast te zetten.

NO Juster høyden på festeselen slik at den passer til barnet. For å sikre mest mulig trygghet og komfort bør festeselen plasseres på nivå med barnets skuldre. Drei høydejusteringen (11) for festeselen oppover. Juster festeselen til riktig høyde, og drei deretter justeringen nedover for å låse festeselen.

PL Dopasuj wysokość mocowania szelek do wzrostu dziecka. Dla zapewnienia pełnego bezpieczeństwa i wygody szelki powinny być zamocowane na wysokości ramion dziecka. Odciągnij dźwignię regulatora wysokości szelek (11) w górę i ustaw szelki na odpowiedniej wysokości. Następnie opuść dźwignię regulatora w dół, aby zablokować szelki.

PT Ajuste a altura do cinto em uma posição adequada à criança. Para proporcionar maior segurança e conforto, o cinto deverá ser posicionado no mesmo nível dos ombros da criança. Gire o regulador de altura do cinto (11) para cima. Ajuste o cinto para a altura correspondente e, em seguida, gire o regulador para baixo para fixar o cinto.

RO Reglați înălțimea centurii pentru potrivire cu dimensiunea copilului. Pentru mai multă siguranță și confort sportiv, centura trebuie plasată la nivelul umerilor copilului. Rotiți ajustorul pe înălțime al centurii (11) în sus. Reglați centura la înălțimea corespunzătoare, apoi rotiți ajustorul în jos pentru a fixa centura.

RU Настройте высоту крепления ремня безопасности по росту вашего ребенка. Для большей безопасности и комфорта ремень безопасности должен находиться на уровне плеч ребенка. Поверните устройство для регулировки высоты крепления (11) вверх. Установите крепление ремней на нужной высоте и затем поверните устройство для регулировки вниз, чтобы зафиксировать крепление.

SK Výšku popruhu nastavte tak, aby vyhovovala dieťaťu. Popruh by sa mal nachádzať na úrovni jeho pliec, aby tak zaručil najlepšiu bezpečnosť a pohodlie. Páčku na nastavenie výšky popruhov (11) otočte nahor. Popruh nastavte na príslušnú výšku a potom páčku otočte nadol, čím popruh zaistíte.

SL Prilagodite višino pasu, da bo ustrezala vašemu otroku. Pas deluje najbolje in je za otroka najudobnejši, kadar je po višini poravnán z otrokovimi rameni. Obrnite regulator višine pasu (11) navzgor. Nastavite pas na primerno višino in nato obrnite regulator navzdol, da pritrdite pas.

SV Justera selens höjd så att den passar ditt barn. Selen bör vara placerad i axelhöjd för att ge barnet högsta möjliga säkerhet och komfort. Vrid ut handtaget (11). Placera fästet för selen i lämplig höjd och lås sedan selens höjd genom att trycka ned handtaget.

Thule RideAlong - Installation - Montage

TH ปรับความสูงของสายรัดนิรภัยให้พอดีกับตัวเด็ก เพื่อความปลอดภัยและความสบาย สายรัดนิรภัยควรอยู่ในระดับเดียวกับไหล่ของเด็ก เลื่อนที่ปรับระดับความสูงของสายรัดนิรภัย (11) ขึ้น ปรับสายรัดนิรภัยให้ไต่ระดับความสูงที่เหมาะสม จากนั้นเลื่อนที่ปรับลงเพื่อยึดสายรัดนิรภัยให้แน่น

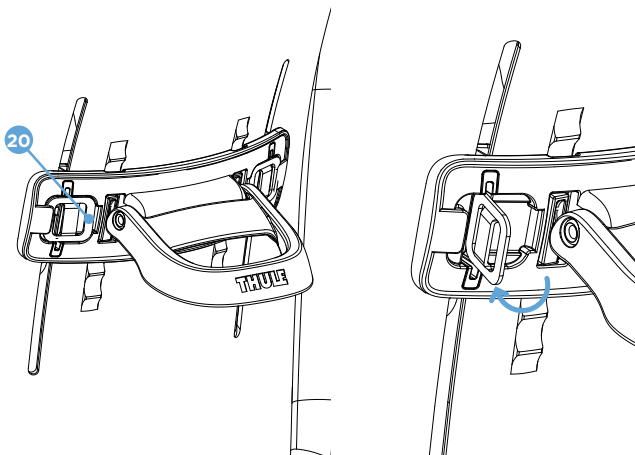
TR Emniyet kemerinin yüksekliğini çocuğunuza uyacak şekilde ayarlayın. Emniyet ve konfor açısından, emniyet kemeri çocuğunuzun omuz hizasında yerleştirilmelidir. Emniyet kemeri yükseklik ayarlayıcısını (11) yukarıya doğru döndürün. Emniyet kemerini uygun yüksekliğe ayarlayın ve sonra emniyet kemerini sabitlemek üzere ayarlayıcıyı aşağıya doğru döndürün.

UK Відрегулюйте висоту кріплення ременів безпеки відповідно до зросту дитини. Для найкращого захисту й комфорту ремені безпеки мають розташовуватися на рівні плечей дитини. Підніміть регулятор висоти кріплення ременів безпеки (11). Установіть потрібну висоту й опустіть регулятор, щоб закріпити ремені безпеки.

ZH 调节安全带高度，以便为小孩带来最佳舒适度。若要获得最佳安全性和舒适度，应使安全带的高度与小孩的肩部齐平，这样才最安全、舒适。向上旋转安全带高度调节器 (11)。将安全带调节到合适的高度，然后向下旋转调节器以固定安全带。

11 Harness removal Entfernung Gurte

EN To remove the harness, insert the strap lock **20** from the back of the seat all the way through. Release the safety buckle, and the harness is disconnected from the seat. To fasten the harness, insert the strap lock from the front and secure it on the back plate.



DE Sie können den Gurt abnehmen, indem Sie die Schnalle (20) von hinten vollständig durchdrücken. Lösen Sie das Gurtschloss, damit der Gurt vom Sitz getrennt wird. Um den Gurt wieder zu befestigen, setzen Sie die Schnalle von vorne ein und sichern Sie sie an der Rückenlehne des Sitzes.

FR Pour retirer le harnais, ouvrez entièrement le bloque-angle (20) à l'arrière du siège. Libérez la boucle de sécurité pour détacher le harnais du siège. Pour attacher le harnais, refermez le bloque-angle et fixez-le au dossier du siège.

ES Para quitar el arnés, inserte el bloqueo de la correa (20) desde la parte trasera del asiento hasta el fondo. Suelte la hebilla de seguridad y el arnés quedará suelto. Para asegurar el arnés, inserte el bloqueo de la correa desde la parte delantera del asiento y asegúrelo en la placa posterior.

AR لإزالة حزام الشد، أدخل قفل الحزام (20) من الجزء الخلفي من المقعد للداخل تمامًا. حرّر إبزيم الأمان، وسيتم فصل حزام الشد من المقعد. لتثبيت حزام الشد، أدخل قفل الحزام من المقدمة، ثم ثبته في اللوحة الخلفية.

BG За да свалите коланите, издърпайте ограничителя на коланите (20) откъм задната част на седалката през отвора. Освободете безопасната катарама и коланите се освобождават от седалката. За да закрепите коланите, вкарайте ограничителя на колана откъм предната страна и го захванете за задната пластина.

CS Chcete-li popruhy sejmout, provlékněte jejich bezpečnostní koncovky (20) otvory v opěradle směrem dopředu. Poté uvolněte bezpečnostní přezku. Popruhy jsou nyní odpojeny. Až je budete chtít znovu připevnit, provlékněte bezpečnostní koncovky popruhů opěradlem a zajistěte je na panelu na zadní straně.

Thule RideAlong - Installation - Montage

DK Når selen skal fjernes, trækkes remlåsen (20) hele vejen igennem fra sædets bagside. Løsn sikkerhedsbeslaget, og frakobl dermed selen fra sædet. Når selen skal fastgøres, indsættes remlåsen fra fronten, hvorefter den fastgøres på bagpladen.

EL Για να αφαιρέσετε τη ζώνη, περάστε το μηχανισμό ασφαλείας της ζώνης (20) από το πίσω μέρος του καθίσματος μέχρι το τέρμα. Απελευθερώστε την πόρπη ασφαλείας και η ζώνη θα αποσυνδεθεί από το κάθισμα. Για να ασφαλίσετε τη ζώνη, περάστε το μηχανισμό ασφαλείας από το μπροστινό μέρος και ασφαλίστε τον στην πίσω πλάκα.

ET Turvarihmade eemaldamiseks lükake istme tagaosas olev rihma lukk (20) ettepoole välja. Vabastage turvapannal ja turvarihmad ongi istme küljest eemaldatud. Turvarihmade kinnitamiseks lükake rihma lukk eest sisse ja kinnitage tagaosal olevale plaadile.

FI Jos haluat irrottaa valjaat, käytä istuimen takana olevaa hihnalukitsinta (20). Kun avaat sen turvasoljen, valjaat irtoavat istuimesta. Kun haluat kiinnittää valjaat takaisin istuimeen, aseta hihnat hihnalukitsimeen ja kiinnitä turvasolki.

HE כדי להוציא את הרתמה, הכניסו את מנועול הרצועה (20) מנב המושב עד הסוף. שחררו את אבזם הבטיחות והרתמה תתנתק מהמושב. כדי להדק את הרתמה, הכניסו את מנועול הרצועה מהחלק הקדמי וקבעו אותו בלוחית האחורית.

HR/BIH Da biste uklonili remenje, provucite mehanizam za zaključavanje trake (20) sa stražnje strane sjedalice, i to sve do kraja. Otpustite sigurnosnu kopču i remenje će se odvojiti od sjedalice. Za pričvršćivanje remenja umetnite mehanizam za zaključavanje trake s prednje strane i učvrstite ga na stražnjoj pločici.

HU A biztonsági öv eltávolításához kapcsolja ki teljesen a szíjzárát (20) az ülés hátuljáról. Az öv ülésről való leválasztásához oldja ki a biztonsági csatot. Az öv rögzítéséhez nyomja be elől a szíjzárát, és rögzítse a hátlapon.

IT Per rimuovere l'imbracatura, inserire completamente il bloccacinghia (20) partendo dalla parte posteriore del seggiolino. Sganciare la fibbia di sicurezza per staccare l'imbracatura dal seggiolino. Per fissare l'imbracatura, inserire il bloccacinghia a partire dal lato anteriore e fissarlo alla piastra posteriore.

JA ハーネスを取り外すには、シートの背面からストラップロック(20)を完全に差し込みます。セーフティバックルを取り外すと、ハーネスがシートから外れます。またハーネスを締めるには、ストラップロックを前面から差し込み、背面のプレートにしっかり固定します。

KO 벨트를 분리하려면 스트랩 잠금 장치(20)를 좌석 뒤에서 완전히 삽입합니다. 안전 버클을 풀면 벨트가 좌석에서 분리됩니다. 벨트를 조하려면 앞에서 스트랩 잠금 장치를 삽입하고 뒷판에 고정합니다.

LT Jei norite nuimti saugos diržus, visiškai įstatykite diržo užraktą (20) kėdutės galinėje dalyje. Atlaisvinkite saugią sagtį ir atjunkite saugos diržus nuo kėdutės. Jei norite pritvirtinti saugos diržus, įstatykite diržo užraktą priekinėje kėdutės dalyje ir pritvirtinkite juos prie galinės plokštelės.

LV Lai noņemtu drošības jostas, pilnībā ievietojiet siksnas bloķētāju (20) virzienā no sēdekļa aizmugures. Atlaidiet drošības sprādzi, un josta tiek atvienota no sēdekļa. Lai nostiprinātu drošības jostas, ievietojiet siksnas bloķētāju no priekšpusē un nostipriniet to aizmugures daļā.

NL Steek om de gordel te verwijderen de riemvergrendeling (20) vanaf de achterkant van het zitje er helemaal doorheen. Maak de veiligheidsgesp los, en de gordel zit niet meer aan het zitje vast. Steek om de gordel weer vast te maken de riemvergrendeling er weer vanaf de voorkant in en zet die aan de achterkant vast.

NO Du tar av festeselen ved å skyve stroppelåsen (20) helt gjennom fra baksiden av setet. Løsne låsespennen, og festeselen er frigjort fra setet. Du setter på festeselen ved å skyve stroppelåsen gjennom fra forsiden og låse den på baksiden av ryggstøtten.

PL Aby zdjąć szelki, przelóż blokadę pasa (20) z tyłu fotelika i zwolnij klamrę zabezpieczającą. Aby zamocować szelki, przelóż blokadę pasa od przodu i zabezpiecz na płycie z tyłu.

PT Para remover o cinto, insira completamente o fecho da tira (20) da traseira do assento. Solte a fivela de segurança para soltar o cinto do assento. Para apertar o cinto, insira o fecho da tira da frente na placa traseira.

RO Pentru a scoate centura, introduceți opritorul de curea (20) din partea din spate a scaunului în poziție maximă. Eliberați catarama de siguranță și centura se deconectează din scaun. Pentru a fixa centura, introduceți opritorul de curea din partea din față și fixați-l de placa din spate.

RU Чтобы снять ремень безопасности, полностью переместите фиксатор ремня (20) от спинки сиденья вперед. Освободите замок ремня безопасности, и ремень будет отсоединен от сиденья. Чтобы пристегнуть ремень безопасности, вставьте фиксатор ремня спереди и закрепите его сзади.

SK Ak chcete popruh odstrániť, prevlečte poistku popruhu (20) zo zadnej strany sedačky. Uvoľnite bezpečnostnú pracku a popruh sa zo sedačky odpojí. Ak chcete popruh upevniť, prevlečte poistku popruhu z prednej strany a zaistíte ju na zadnej strane.

SL Za odstranitev pasu do konca vstavite zaponko za pas (20) s hrbtne strani sedeža. Sprostite varnostno zaponko in pas se odstrani s sedeža. Če želite pritrditi pas, vstavite zaponko za pas s sprednje strani in jo pritrdite na hrbtno ploščo.

SV Du lossar selen från sätet genom att föra bandlåset (20) genom sätet från dess baksida. Därefter lossar du säkerhetsspännet så att selen kan tas bort från sätet. Du fäster selen igen genom att föra bandlåsen genom sätet från dess framsida och låsa fast dem på baksidan.

TH เมื่อต้องการถอดสายรัดนิรภัยออกให้สอดที่ล็อคสายรัด (20) จากทางด้านหลังของเก้าอี้จนสุด ปลดหัวเข็มขัดนิรภัยสายรัดนิรภัยจะหลุดออกจากเก้าอี้ หากต้องการรัดสายรัดนิรภัยให้แน่น ให้สอดที่ล็อคสายรัดจากทางด้านหน้า แล้วยึดเข้ากับแผ่นด้านหลังให้แน่น

TR Emniyet kemerini çıkarmak için, kayış kilidini (20) koltuğun arkasında baştan sona kadar sokun. Güvenlik tokasını çözün, böylece emniyet kemeri koltuktan çıkmış olur. Emniyet kemerini bağlamak için, kayış kilidini önden sokun ve arka plakaya tutturun.

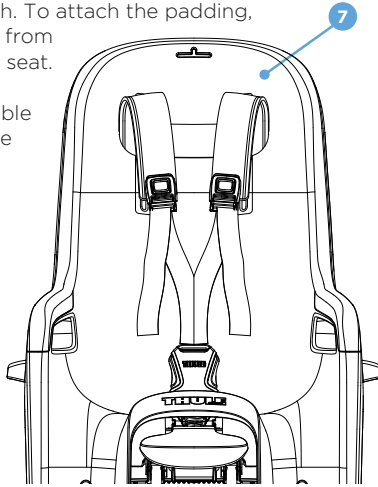
UK Щоб зняти ремені безпеки, вставте до кінця фіксатор ременця (20) на спинці крісла. Відстібніть запобіжну пряжку та зніміть ремені безпеки з крісла. Щоб прикріпити їх назад, вставте фіксатор ременця з чільного боку й закріпіть його на задній пластинці.

ZH 要拆除安全带，请将安全带锁 (20) 从座椅背部完全插入，释放安全卡扣，安全带即与座椅分离。从座椅正面插入安全带锁并将其固定在背板上，即可紧固安全带。

Thule RideAlong - Installation - Montage

12 Padding Polsterung

EN The child seat is equipped with reversible and washable padding 7 in two colours. To remove the padding, first release the harness from the seat, as described in step 11. Release the two locks on the backrest and bottom of the seat, and insert them all the way through. To attach the padding, insert the locks from the front of the seat. The padding is machine washable in 30 °C delicate wash. Wash separately.



DE Der Kindersitz ist mit einer zweifarbig wendbaren und waschbaren Polsterung (7) ausgestattet. Um die Polsterung zu entfernen, nehmen Sie zunächst den Gurt wie in Schritt 11 beschrieben ab. Lösen Sie die beiden Verriegelungen an der Rückenlehne und unten am Sitz und drücken Sie sie vollständig durch. Um die Polsterung wieder anzubringen, setzen Sie die Verriegelungen von vorne ein. Die Polsterung ist maschinenwaschbar bei 30 °C Feinwäsche. Getrennt waschen.

FR Le siège pour enfant comprend un rembourrage réversible et lavable (7) de deux couleurs. Pour retirer le rembourrage, libérez le harnais du siège comme expliqué au point 11. Libérez les deux bloque-sangles sur le dossier et l'assise du siège et tirez sur les sangles. Pour attacher le rembourrage, insérez les bloque-sangles par l'avant du siège. Le rembourrage peut être lavé à la machine à 30 °C. Lavez-le séparément.

ES El asiento para niños tiene un acolchado reversible y lavable (7) de dos colores. Para quitarlo, suelte primero el arnés del asiento, como se describe en el paso 11. Suelte los dos bloqueos del respaldo y la parte inferior del asiento, e insérteles totalmente. Para colocar el acolchado, inserte los bloqueos desde la parte delantera del asiento. El acolchado puede lavarse a máquina a 30 °C y con un programa para ropa delicada. Se debe lavar por separado.

AR يتوفر مقعد الطفل مزودًا بحشوة قابلة للغسل يمكن استخدامها على الوجهين (7) بتصميم ذي لونين. لإزالة الحشوة، حرّر أولاً حزام الشد من المقعد، كما هو موضح في الخطوة 11. حرّر القفلين الموجودين على المقعد الخلفي والجزء السفلي من المقعد، ثم أدخلهما في الموضع تمامًا. لتثبيت الحشوة، أدخل القفلين من مقدمة المقعد. يمكن غسل الحشوة في غسالة الملابس على مستوى غسيل غير قوي بدرجة حرارة 30 درجة مئوية. يجب ألا يتم الغسل مع شيء آخر.

BG Детската седалка е оборудвана с двулцева перяща се тапицерия (7) в два цвята. За да свалите тапицерията, първо освободете коланите от седалката, както е описано в стъпка 11. Освободете двата ограничителя на облегалката и долната част на седалката и ги издърпайте напълно. За да поставите тапицерията, пхнете ограничителите откъм предната страна на седалката. Тапицерията може да се пере машинно при 30 °C на програма за деликатно пране. Да се пере отделно.

CS Cyklosedačka je vybavena oboustrannou měkkou vložkou (7) ve dvou barvách, kterou lze prát. Pokud ji budete chtít vyjmout, nejprve podle postupu popsaného v kroku 11 sejměte popruhy. Potom uvolněte obě pojistky na opěradle a spodní části sedačky a vyvlékněte je otvory ven. Až budete vložku chtít vrátit na místo, provlékněte pojistky otvory do původní polohy. Měkkou vložku je možné prát v pračce při teplotě 30 °C. Zvolte šetrný prací program. Perte samostatně.

DK Barnesædet leveres med vendbar og vaskbar siddepude (7) i to farver. For at fjerne siddepuden skal selen først løsnes fra sædet, som beskrevet i trin 11. Løsn de to låse på ryglænet og på selve sædet, og træk dem hele vejen igennem. For at fastgøre siddepuden indsættes låsene fra sædets forside. Siddepuden kan maskinvaskes ved 30 °C på skåneprogram. Vaskes separat.

EL Το παιδικό κάθισμα διαθέτει πλενόμενο μαξιλαράκι (7) διπλής όψης σε δύο χρώματα. Για να αφαιρέσετε το μαξιλαράκι, αφαιρέστε πρώτα τη ζώνη από το κάθισμα, όπως περιγράφεται στο βήμα 11. Απελευθερώστε τους δύο μηχανισμούς ασφαλείας από την πλάτη και το κάτω μέρος του καθίσματος και εισαγάγετέ τους μέχρι το τέρμα. Για να τοποθετήσετε το μαξιλαράκι, εισαγάγετε τους μηχανισμούς ασφαλείας από το μπροστινό μέρος του καθίσματος. Το μαξιλαράκι πλένεται στο πλυντήριο στους 30°C. Πλύνετε ξεχωριστά.

ET Lasteistmel on pööratav ja pestav kahe värviga polster (7). Polstri eemaldamiseks eemaldage kõigepealt 11. juhise järgi turvarihmad istme küljest. Vabastage kaks seljatoel olevat lukku ja istme põhi ning eemaldage need täielikult. Polstri kinnitamiseks lükake lukud istme esiosast sisse. Polstrit võib pesumasinas pesta 30 °C õrnpesurežiimis. Peske polstrit eraldi.

FI Lastenistuimessa on käännettävä ja pestävä kaksivärinen pehmuste (7). Kun haluat irrottaa pehmusteen, irrota ensin valjaat istuimesta kohdan 11 ohjeiden mukaisesti. Avaa sitten selkänöjassa ja istuimen alla olevat kaksi lukkoa ja vedä pehmuste irti. Kun haluat kiinnittää pehmusteen takaisin paikalleen, aseta se lukkojen läpi istuimen etupuolelta. Pehmuste on konepestävä 30 asteessa varovaisella pesuohjelmalla. Pestävä erikseen.

HE המושב לילד מצויד בריפוד דו-צדדי וכבסי (7) בשני צבעים. כדי להסיר את הריפוד, שחררו תחילה את הרחמה מהמושב, כמתואר בשלב 11. שחררו את שני המנעולים במשענת הבר ובתחתית המושב, והכניסו אותם עד הסוף. כדי לחבר את הריפוד, הכניסו את המנעולים מהחלק הקדמי של המושב. ניתן לכבס את הריפוד במכונת כביסה בחום של 30 °C בכביסה עדינה. יש לכבס אותו בנפרד.

HR/BIH Dječja sjedalica opremljena je oblogom s dva lica i u dvije boje koja se može prati (7). Da biste skinuli oblogu, najprije skinite remenje sa sjedalice onako kako je opisano u 11. koraku. Otpustite dva mehanizma za zaključavanje na naslonu za leđa i na dnu sjedalice te ih umetnite sve do kraja. Da biste pričvrstili oblogu, umetnite mehanizam za zaključavanje s prednje strane sjedalice. Obloga se može prati u perilici rublja na 30 °C kao osjetljivo rublje. Perite odvojeno.

HU A gyerekülés kifordítható és mosható párnázott huzatot tartalmaz (7) kétféle színben. A huzat eltávolításához először oldja ki a biztonsági övet az ülésből a 11. lépésben leírt módon. Oldja ki a háttámlán és az ülés alján található két zárat, és nyomja be őket teljesen. A párnázott huzat felhelyezéséhez nyomja

Thule RideAlong - Installation - Montage

be a zárakoz be az ülés elejéről. A huzat mosógépben mosható 30 °C-os kímélő programmal. Más ruhadaraboktól elkülönítve mossa.

IT Il seggiolino è dotato di imbottitura reversibile e lavabile (7) in due colori. Per rimuovere l'imbottitura, sganciare prima l'imbracatura dal seggiolino, come descritto nel passaggio 11. Sganciare le due chiusure dello schienale e della parte inferiore del seggiolino, quindi inserirle completamente. Per agganciare l'imbottitura, inserire i blocchi dalla parte anteriore del seggiolino. È possibile lavare l'imbottitura in lavatrice a 30° C (lavaggio delicato). Lavare separatamente.

JA チャイルドシートには、2色のリパーシブルで水洗いができるパッド(7)が付いています。パッドを取り外すには、最初にハーネスをシートから取り外し(手順11を参照)、バックレストとシート下部の2個のロックを外してからそれらを完全に差し込みます。パッドを取り付けるには、シートの前面からロックを差し込みます。パッドは洗濯機で洗えます。(30°Cのお湯を使い、デリケートな衣類の洗濯用の設定でパッドは個別に洗ってください。)

KO 어린이 좌석은 양면 사용이 가능하고 세탁 가능한 두 가지 색상의 패딩(7)과 함께 제공됩니다. 패딩을 분리하려면 먼저 11단계에 설명된 대로 벨트를 좌석에서 분리합니다. 등받침과 좌석 하단의 두 잠금 장치를 해제하고 완전히 삽입합니다. 패딩을 부착하려면 좌석 앞에서 잠금 장치를 삽입합니다. 패딩은 세탁기에서 30°C의 온도로 약한 세기로 세탁 가능합니다. 개별적으로 세탁하십시오.

LT Vaiko kėdutėje įtaisytas abipusis dvispalvis plaunamas įdėklas (7). Jei norite išimti įdėklą, pirmiausia atjunkite nuo kėdutės saugos diržus, kaip aprašyta 11 punkte. Atlaisvinkite ant kėdutės atlošo ir sėdynės esančius du užraktus ir visiškai juos įstatykite. Jei norite pritvirtinti įdėklą, įstatykite užraktus kėdutės priekyje. Įdėklą galima skalbti skalbimo mašinoje 30 °C švelnaus skalbimo režimu. Skalbti atskirai.

LV Bērnu sēdekļa komplektā ir iekļauta divpusējs, mazgājams polsterējums (7) divās krāsās. Lai noņemtu polsterējumu, vispirms

atbrīvojiet sēdekļa drošības jostas, kā tas ir aprakstīts 11. darbībā. Atbrīvojiet abus sēdekļa aizmugurē un apakšā esošos fiksatorus un iespiediet tos pilnībā uz iekšu. Lai pievienotu polsterējumu, ievietojiet fiksatorus no sēdekļa priekšpusēs. Polsterējumu var mazgāt veļasmašīnā 30 °C temperatūrā saudzīgā režīmā. Nemasgāt kopā ar citām drēbēm.

NL Het kinderzitje heeft een omkeerbare en wasbare tweekleurige bekleding (7). Maak om de bekleding te verwijderen, de gordel los van het zitje zoals is beschreven in stap 11. Maak de twee sluitingen op de rugleuning en bodem van het zitje los, en steek ze er helemaal doorheen. Steek om de bekleding er weer op te zetten de sluitingen vanaf de voorkant van het zitje erin. De bekleding mag op 30°C met fijne was worden gewassen. Apart wassen.

NO Barnesetet er utstyrt med vendbar og vaskbar polstring (7) i to farger. Du tar av polstringen ved først å løsne festeselen fra setet som beskrevet i trinn 11. Løsne de to låsene på ryggstøtten og setebunnen og skyv dem helt gjennom. Du fester polstringen ved skyve gjennom låsene fra forsiden av setet. Polstringen kan vaskes i skånsom vask ved 30 °C. Vaskes separat.

PL Fotelik ma dwustronną, dwukolorową wyściółkę (7), która nadaje się do prania w pralce. Aby zdjąć wyściółkę, najpierw odłącz szelki tak, jak to opisano w punkcie 11. Zwolnij dwie blokady na oparciu i siedzeniu fotelika i przelóż je przez wyściółkę. Aby założyć wyściółkę, przelóż blokady przez otwory z przodu fotelika. Wyściółkę można prać w pralce, w temperaturze 30°C. Prać oddzielnie.

PT O assento infantil contém um forro reversível e lavável (7) em duas cores. Para remover o forro, primeiro, solte o cinto do assento, como descrito na etapa 11. Solte os dois fechos no encosto e na parte inferior do assento e insira-os completamente. Para prender o forro, insira os fechos da frente do assento. O forro

pede ser lavado a máquina com uma programação de lavagem delicada a 30 °C. Lave separadamente.

RO Scaunul pentru copil este echipat cu căptușeală inversabilă și lavabilă (7), în două culori. Pentru a scoate căptușeala, eliberați mai întâi centura din scaun, după cum se arată la pasul 11. Eliberați cele două opritoare de pe spătar și de la baza scaunului și introduceți-le până la capăt. Pentru a atașa căptușeala, introduceți opritoarele din partea din față a scaunului. Căptușeala poate fi spălată la mașină, cu programul pentru rufe delicate, la 30 °C. Spălați separat.

RU Детское сиденье оснащено подкладкой из двустороннего моющегося материала (7) двух цветовых оттенков. Чтобы удалить подкладку, сначала снимите ремень безопасности, как описано в шаге 11. Расстегните два замка на спинке и нижней части сиденья и протяните насквозь. Чтобы вернуть подкладку, вставьте замки спереди сиденья. Подкладку можно стирать в машинке при температуре 30 °C в режиме деликатной стирки. Стирать отдельно от других вещей.

SK Táto detská sedačka je vybavená obojstranným a prateľným potahom (7) v dvojfarebnom vyhotovení. Ak chcete odstrániť potah, najprv podľa popisu v kroku č. 11 uvoľníte popruh zo sedačky. Uvoľníte obidve poistky na chrbtovej opierke a spodnej časti sedačky a úplne ich prevlečte. Ak chcete potah pripevniť, prevlečte poistky z prednej strany sedačky. Potah sa dá prať v práčke ako jemná bielizeň pri teplote 30 °C. Perte samostatne.

SL Otroški sedež je opremljen s podlogo (7) v dveh barvah, ki jo lahko obrnete in operete. Podlogo odstranite tako, da najprej s sedeža odstranite pas, kot je opisano v 11. koraku. Sprostite zaponki na naslonjalu in spodnji strani sedeža ter ju vstavite do konca. Za pritrditev podloge vstavite zaponki s sprednjega dela sedeža. Podlogo lahko perete v pralnem stroju pri temperaturi 30 °C po programu za občutljive tkanine. Perite ločeno.

SV Barnsätet har en vändbar och tvättbar sittdyna (7) i två färger. Du lossar sittdynan genom att först ta bort selen från sätet enligt steg 11. Frigör de två låsen i ryggstödet och sätets botten och för dem genom sätet. Du fäster sittdynan igen genom att föra låsen genom sätet från dess framsida. Sittdynan kan maskintvättas i 30 °C fintvätt. Sittdynan bör tvättas separat.

TH เก้าอี้เด็กมีแผ่นรองสองสีแบบกลับด้านและถอดซักได้ (7) เมื่อต้องการถอดแผ่นรองออก ก่อนอื่นให้ปลดสายรัดนิรภัยออกจากเก้าอี้ตามที่อธิบายในขั้นตอนที่ 11 ปลดที่ล็อกสองด้านบนพนักพิงและด้านล่างของเก้าอี้ แล้วสอดออกจนสุด หากต้องการใส่แผ่นรอง ให้สอดที่ล็อกจากทางด้านหน้าของเก้าอี้ แผ่นรองสามารถซักร่วมกับเครื่องซักผ้าในโหมดคottonmax ที่อุณหภูมิ 30°C ควรซักแยกต่างหาก

TR Çocuk koltuğu, çift taraflı ve yıkanabilir, iki renkte koltuk minderini (7) ile kaplıdır. Koltuk minderini çıkarmak için, önce adım 11'de açıklandığı gibi emniyet kemerini koltuktan çıkarın. Koltuğun arkalığındaki ve altındaki iki kilidi çözün ve bunları tamamen ileri itin. Koltuk minderini takmak için, kilitleri koltuğun ön tarafından takın. Koltuk minderini 30°C'de narin yıkama programında yıkanabilir. Ayrı olarak yıkayın.

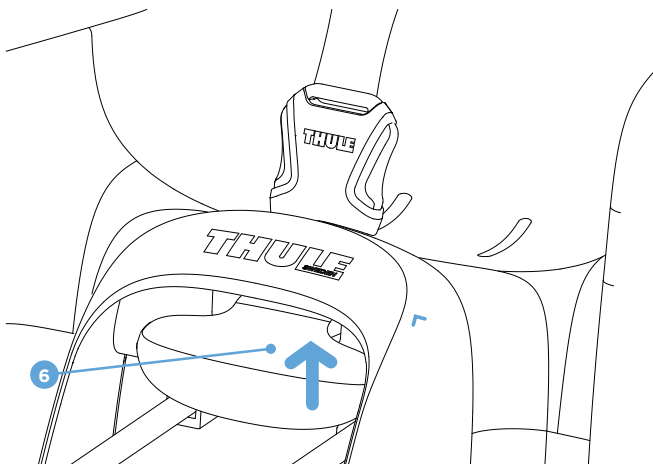
UK Дитяче крісло має двосторонню подушку (7) двох кольорів, яку можна прати. Щоб зняти подушку, спершу зніміть із крісла реміні безпеки, як описано на кроці 11. Відкрийте два фіксатори на спинці та в нижній частині крісла, а потім повністю вставте їх. Щоб причепити подушку, вставте фіксатори з чільного боку. Подушку можна прати в пральній машині при температурі 30 °C в режимі делікатного прання. Періть окремо від іншої білизни.

ZH 儿童座椅配有两种颜色的双面可用可洗衬垫 (7)。要拆除衬垫，首先根据步骤 11 所述，将安全带从座椅拆除，然后释放靠背上和座椅底部的两个锁，并将两个锁完全插入即可。要固定衬垫，将锁从座椅正面插入即可。衬垫可以机洗 (30° C 水温弱洗)。请单独洗涤。

Thule RideAlong - Installation - Montage

13 Tilt to rest Neigungsverstellung

EN The child seat can be tilted backwards up to 20 degrees, to give a comfortable position for resting. Press the tilt adjuster **6**, and adjust the seat to one of five different angles.



DE Der Kindersitz kann für eine komfortable Ruheposition bis maximal 20 Grad nach hinten geneigt werden. Drücken Sie den Neigungsversteller (6) und wählen Sie einen der fünf möglichen Neigungswinkel aus.

FR Le siège pour enfant peut être incliné jusqu'à 20 degrés vers l'arrière afin d'offrir une position confortable pour dormir ou se reposer. Appuyez sur l'ajusteur d'inclinaison (6) et réglez le siège sur l'une des cinq inclinaisons possibles.

ES El asiento para niños puede inclinarse hacia atrás hasta un máximo de 20 grados para ofrecer una cómoda postura para el sueño o el descanso. Presione el regulador de inclinación, (6), y ajuste el asiento en uno de los cinco ángulos posibles.

AR يمكن إمالة مقعد الطفل إلى الخلف بما يصل إلى ٢٠ درجة، بحيث يوفر للطفل موضعاً للجلوس أكثر راحة. اضغط على أداة ضبط الإمالة (6)، واضبط المقعد ليتخذ زاوية من زواياه الخمس المختلفة.

BG Детската седалка може да се наклони назад до 20 градуса, за да се осигури удобно положение за почивка. Натиснете механизма за регулиране на наклона (6) и настройте седалката на един от петте различни ъгъла за наклон.

CS Sedačku je možné naklonit až o 20° dozadu, aby v ní dítě mohlo pohodlně odpočívat. Stiskněte tlačítko pro nastavení náklonu sedačky (6) a posuňte sedačku do jedné z pěti možných poloh.

DK Barnesædet kan vippes op til 20 grader bagud, hvilket giver en bedre hvilestilling. Klik på vippejusteringen (6), og juster sædet til en af fem forskellige vinkler.

EL Μπορείτε να γεμίσετε το παιδικό κάθισμα προς τα πίσω έως 20 μοίρες για μια άνετη θέση χαλάρωσης. Πιέστε το ρυθμιστή κλίσης (6) και προσαρμόστε το κάθισμα σε μία από τις πέντε διαφορετικές γωνίες.

ET Lasteistet saab kuni 20 kraadi tahapoole kallutada, et anda lapsele mugav asend puhkamiseks. Vajutage kalde-regulaatorit (6) ja valige istme reguleerimiseks üks viiest kaldenurgast.

FI Lastenistuinta voi kallistaa taaksepäin 20 asteen kulmaan, mikä on mukava lepoasento. Paina kallistuksensäädintä (6) ja valitse sitten jokin istuimen viidestä kulma-asetuksesta.

HE ניתן להטות לאחור את המושב ליל עד לזווית של 20 מעלות כדי ליצור תנוחה נוחה למנוחה. לחצו על מתאם ההטיה (6) והתאימו את המושב לאחת מחמש הזוויות השונות.

HR/BIH Dječja se sjedalica može nagnuti unatrag za do 20 stupnjeva kako bi se omogućio udoban položaj za spavanje ili odmaranje. Pritisnite regulator nagiba (6) te namjestite sjedalo u jedan od pet različitih kutova.

HU A gyerekülés 20 fokkal hátradönthető a kényelmes pihenés érdekében. Nyomja meg a döntésállítót (6), és állítsa az ülést az öt lehetséges szög valamelyikébe.

IT È possibile inclinare il sedile per bambini all'indietro fino a 20 gradi in modo da ottenere una posizione comoda per il sonno o il riposo. Premere il regolatore di inclinazione (6) e regolare il seggiolino su una delle cinque diverse angolazioni.

JA チャイルドシートは後方へ最大20度のリクライニング機能があり、おやすみの時間も楽な姿勢をとることができます。チルトアジャスター(6)を押すことにより、5段階で傾きを調整可能です。

KO 어린이 좌석은 뒤로 20도 기울여 휴식을 위해 편안한 위치로 설정할 수 있습니다. 각도 조절기 (6)을 누르고 5가지 각도 중 하나로 좌석을 조절합니다.

LT Vaiko kėdutę galima paversti atgal iki 20 laipsnių, kad būtų patogus ilsėtis. Paspauskite pavertimo reguliatorių (6) ir nustatykite kėdutę vienoje iš penkių pavertimo padėčių.

LV Bērna sēdekli var noliekt uz aizmuguri par 20 grādiem, lai nodrošinātu ērtu pozu atpūtai. Nospiediet leņķa regulētāju (6), un regulējiet sēdekli vienā no pieciem dažādiem leņķiem.

NL Het kinderzitje kan achterover gekanteld worden tot maximaal 20 graden voor een comfortabele stand om te rusten. Druk op de kantelhendel (6) en zet de stoel in één van de vijf vers-chillende standen.

NO Barnesetet kan vippes bakover opptil 20 grader for å gi en mer komfortabel hvileposisjon. Trykk ned vippejusteren (6), og juster setet til en av fem ulike vinkler.

PL Fotelik można odchylić do tyłu o 20 stopni, zapewniając dziecku wygodną pozycję do odpoczynku. Naciśnij regulator odchylenia (6) i wybierz jedną z pięciu dostępnych pozycji.

PT O assento infantil pode ser inclinado para trás em até 20 graus para proporcionar uma posição de descanso confortável. Pressione o ajustador (6) e ajuste o assento em um dos cinco ângulos diferentes.

RO Scaunul de copil poate fi înclinat în spate până la 20 de grade, pentru a-i oferi o poziție confortabilă pentru odihnă. Apăsați pe reglajul de înclinare (6) și reglați scaunul la unul din cele cinci unghiuri diferite.

RU Детское сиденье можно наклонять вперед на 20° для более комфортной посадки. Нажмите устройство регулировки угла наклона (6) и установите сиденье в одно из пяти возможных положений.

Thule RideAlong - Installation - Montage

SK Túto detskú sedačku možno sklopiť dozadu až o 20 stupňov a vytvoriť tak dieťaťu pohodlnú polohu na oddych. Zatiačte na páčku na nastavenie sklonu (6) a nastavte sedačku do jedného z piatich rôznych uhlov.

SL Otroški sedež lahko nagnete nazaj do 20 stopinj v udoben položaj za počitek. Pritisnite prilagojevalnik nagiba (6) in nato sedež prilagodite na enega od petih različnih kotov.

SV Barnsätet kan lutas bakåt i upp till 20 graders vinkel för att skapa en bekväm viloposition. Tryck handtaget för justering av lutning (6), uppåt och justera sätet i någon av de fem olika låsbara vinklarna.

TH ที่นั่งสำหรับเด็กสามารถเอียงไปข้างหลังได้ถึง 20 องศาเพื่อให้ได้ตำแหน่งที่สบายต่อการพักผ่อน กดปรับเอียงและปรับที่นั่งเป็นหนึ่งในห้าระดับองศา

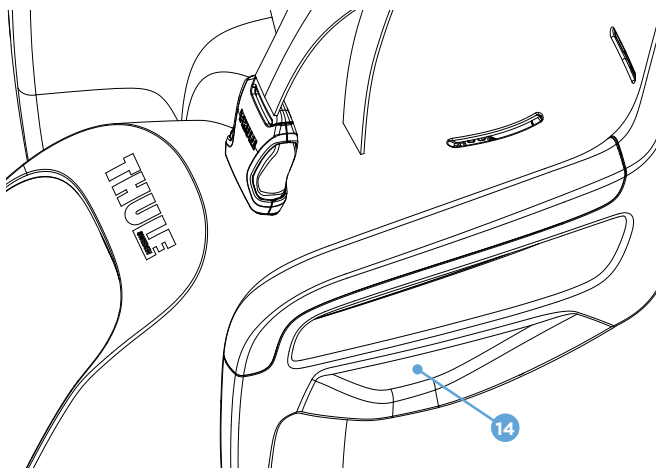
TR Çocuk koltuğu, uyurken veya dinlenirken rahat bir konum sağlamak üzere geriye doğru 20 derece eğilebilir. (6) ile gösterilen eğitim ayarlayıcısına basın ve koltuğu beş farklı açıdan birine ayarlayın.

UK Дитяче крісло можна нахилити назад під кутом до 20 градусів для зручного положення під час відпочинку. Натисніть регулятор нахилу (6) і виберіть один із п'яти різних кутів.

ZH 儿童座椅可向后倾斜最多 20 度，以便提供适合休息的舒适位置。按住角度调节器 (6)，可在五个不同角度之间任意调节座椅。

14 Protective wing Schutzschale

EN If the child seat is leant against a wall, the protective wing 14 maintains a safe distance between the wall and the child's hand to avoid trapping it. Never leave the bicycle parked unattended with a child in the seat.



DE Wenn Sie das Rad mit dem montierten Kindersitz an eine Wand lehnen, wird durch die Schutzschale (14) sichergestellt, dass ein entsprechender Abstand zur Wand eingehalten und die Hand des Kindes nicht eingeklemmt wird. Lassen Sie Ihr Kind niemals unbeaufsichtigt im Fahrradsitz sitzen, wenn Sie Ihr Fahrrad abstellen.

FR Si le siège enfant est appuyé contre un mur, l'aile de protection (14) maintient une distance de sécurité entre le mur et la main de l'enfant pour éviter qu'elle ne soit coincée. Ne laissez jamais le vélo sans surveillance lorsqu'un enfant se trouve dans le siège.

ES Si el asiento se apoya contra una pared, la aleta de protección (14) mantiene una distancia de seguridad entre la pared y la mano del niño para evitar posibles lesiones. Nunca deje la bicicleta aparcada y sin supervisión con un niño en el asiento.

AR في حالة إسناد مقعد الطفل إلى حائط، يحافظ الجناح الواقي (14) على توفير مسافة آمنة بين الحائط ويد الطفل لتجنب انحصارهما. لا تعتمد مطلقاً إلى إيقاف (ركن) الدراجة والطفل في المقعد دون مراقبة منك.

BG Ако детската седалка е облепната на стена, предпазното перило (14) осигурява безопасно разстояние между стената и ръката на детето, като се предотвратява захващането на ръката. Никога не оставяйте паркирания велосипед без надзор, когато в седалката има дете.

CS Když je sedačka opřena o zeď, díky bezpečnostním posttranním křídílům (14) je mezi zdí a sedačkou vždy tolik prostoru, aby nehrozilo, že tam uvízne ruka vašeho dítěte. Pokud od kola odcházíte, nikdy dítě nenechávejte v sedačce.

Thule RideAlong - Installation - Montage

DK Hvis barnesædet lænes op mod en væg, sørger beskyttelsesvingen (14) for en sikker afstand mellem væggen og barnets hånd, så den ikke kommer i klemme. Efterlad aldrig cyklen parkeret uden opsyn med et barn i sædet.

EL Σε περίπτωση στήριξης του παιδικού καθίσματος στον τοίχο, το προστατευτικό πτερύγιο (14) εξασφαλίζει μια απόσταση ασφαλείας ανάμεσα στον τοίχο και τα χέρια του παιδιού για την αποφυγή τυχόν παγίδευσής τους. Μην αφήνετε ποτέ το ποδήλατο χωρίς επίτηρηση με παιδί στο κάθισμα.

ET Kui soovite lasteistme toetada seinale vastu, jätab kaitsetiib (14) seinale ja lapse käe vahele turvalise ruumi, mis kaitseb kätt kinijäämise eest. Ärge kunagi jätke jalgratast järelevalveta, kui pargite jalgratta ja laps istub istmel.

FI Jos lastenistuin asetetaan seinää vasten, suojaosien (14) varmistaa, että seinän ja lapsen käden väliin jää tilaa eikä käsi jää puristuksiin. Älä koskaan jätä polkupyörää valvomatta lapsen ollessa istuimessa.

HE אם המושב לילד מושען על קיר, דופן הגנה (14) שומר על מרחק בטוח בין הקיר לבין היד של הילד כדי שלא תיתפס. אף פעם אל תשאירו את האופניים ללא השגחה כשהילד יושב במושב.

HR/BIH Ako je dječja sjedalica oslonjena o zid, zaštitno krilo (14) održava sigurnu udaljenost između zida i ruke djeteta kako se ona ne bi zaglavila. Nikada nemojte ostaviti parkirani bicikl bez nadzora ako je dijete u sjedalici.

HU Ha a gyerekülés falnak dől, a védőszárny (14) biztonságos távolságot tart a fal és a gyermek keze között, hogy a gyermek keze ne sérülhessen. Soha ne hagyja felügyelet nélkül a kerékpárt, ha a gyermek az ülésben van.

IT Se il seggiolino è appoggiato a un muro, l'aletta protettiva (14) garantirà una distanza di sicurezza tra il muro e la mano del bambino in modo da evitare

che resti incastrata. Non lasciare mai la bicicletta parcheggiata e incustodita con un bambino nel seggiolino.

JA チャイルドシートが壁に接している場合でも、保護用ウイング(14)で壁から安全な距離を保ち、子供の手が挟まらないようにします。子供をシートに乗せたまま、サイクルを駐輪してその場を離れないでください。

KO 어린이 좌석이 벽과 맞닿는 경우 보호 윙(14) 덕분에 벽으로부터 안전 거리를 확보할 수 있어 어린이의 손이 끼는 것을 방지할 수 있습니다. 어린이가 좌석에 있는 상태에서 보호자 없이 자전거를 세워둔 채 떠나지 마십시오.

LT Jei vaiko kėdutė remiasi į sieną, apsauginis sparnas (14) išlaiko saugų atstumą tarp sienos ir vaiko rankos, kad jos neprispaustų. Niekuomet nepalikite pastatyto dviračio su vaiku kėdutėje be priežiūros.

LV Ja bērnu sēdekļis tiek atspiests pret sienu, aizsargmala (14) nodrošina drošu atstarpi starp sienu un bērnu roku, tā novēršot saspiešanas risku. Nekad neatstājiet velosipēdu bez uzraudzības, ja sēdekļī atrodas bērns.

NL Als het kinderzitje tegen een muur rust, zorgt de beschermstrook (14) voor een veilige afstand tussen de muur en de hand van het kind zodat deze niet klemt komt te zitten. Laat de fiets nooit onbewaakt achter met een kind in de stoel.

NO Dersom barnesetet står lent mot en vegg, vil håndskjermen (14) opprettholde en sikker avstand mellom vegg og barnets hånd, slik at hånden ikke kommer i klem. Du må aldri la sykkelen stå parkert uten tilsyn med et barn i setet.

PL Jeżeli fotelik jest oparty o ścianę, profil ochronny (14) zachowuje bezpieczną odległość między ścianą a rączką dziecka, zapobiegając jej przytłuszczeniu. Nigdy nie zostawiaj roweru z dzieckiem w foteliku bez nadzoru.

PT Se o assento infantil for apoiado contra uma parede, a asa de proteção (14) manterá uma distância segura entre a parede e a mão da criança para não prendê-la. Nunca deixe a bicicleta estacionada e sem supervisão com uma criança no assento.

RO Dacă scaunul pentru copil este sprijinit de un zid, aripa de protecție (14) menține o distanță sigură între zid și mâna copilului, pentru a evita prinderea aces-teia. Nu lăsați niciodată bicicleta parcată nesupravegheată când se află un copil în scaun.

RU Если сиденье опирается на стену, защитный выступ (14) сохранит безопасное расстояние между стенкой и рукой ребенка, чтобы избежать защемления. Не оставляйте велосипед без присмотра, когда ребенок находится на сиденье.

SK Ak detskú sedačku opriete o stenu, ochranné krídlo (14) udržiava od steny bezpečnú vzdialenosť, aby sa do tohto priestoru nedostala ruka dieťaťa. Nikdy nenechávajte bicykel odstavený bez dozoru, keď je dieťa v sedačke.

SL Če je otroški sedež naslonjen na steno, zaščitno krilo (14) vzdržuje varno razdaljo med steno in otrokovo roko, da si je ne priščipne. Če je otrok v sedežu, nikoli ne puščajte kolesa brez nadzora.

SV Om barnsitsen lutar mot en vägg skapar sidoskyddet (14) ett säkerhetsavstånd mellan väggen och barnets hand för att skydda mot klämskador. Lämna aldrig cykeln utan uppsikt när den är parkerad och det sitter ett barn i barnsätet.

TH หากเก้าอี้เด็กพิงอยู่กับผนัง ปีกป้องกัน (14) จะช่วยรักษาระยะห่างระหว่างผนังกับมือของเด็ก ไม่ให้มือถูกหนีบ ห้ามทิ้งจักรยานไว้ลำพังเมื่อมีเด็กอยู่บนเก้าอี้เด็ดขาด

TR Eğer çocuk koltuğu bir duvara doğru dayanıyorsa, koruyucu yan çıkıntı (14) çocuğun elinin sıkışmasını önlemek üzere duvarla çocuğun eli arasında güvenli bir mesafe sağlar. Yanında kimse yokken, bisikleti koltuğunda bir çocukla asla bırakmayın.

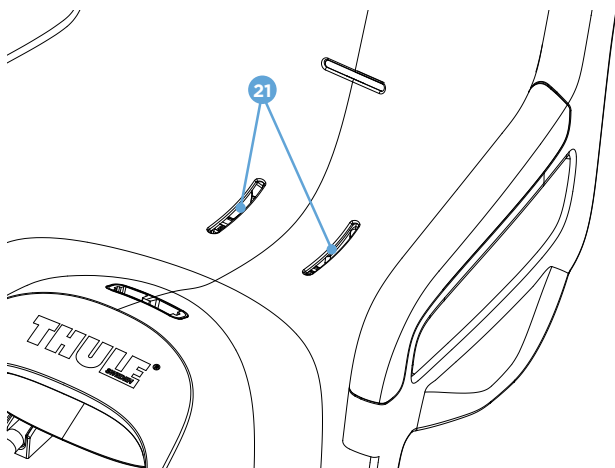
UK Якщо дитяче крісло сперти на стіну, завдяки захисному крилу (14) між нею та рукою дитини залишиться безпечна відстань, тому можна не боятися затискання. Ніколи не залишайте велосипед без нагляду з дитиною в кріслі.

ZH 如果儿童座椅靠墙而放, 防护翼 (14) 可以使墙壁与小孩手部之间保持安全距离, 从而避免手被夹住。停放自行车时, 切勿在无人照看的情况下将小孩单独留在座椅内。

Thule RideAlong - Installation - Montage

15 Drain holes Ablauföffnungen

EN Practical drain holes 21 remove rainwater or any fluid spilled in the child seat. This lets the padding and seat dry out faster, for your child's comfort.



DE Die praktischen Ablauföffnungen (21) lassen Regenwasser oder verschüttete Flüssigkeiten aus dem Kindersitz ablaufen. Dadurch können die Polsterung und der Sitz rascher trocknen und Ihr Kind genießt mehr Komfort.

FR Des orifices pratiques (21) permettent d'évacuer l'eau ou les liquides renversés sur le siège enfant. Le rembourrage et le siège sécheront ainsi plus rapidement pour le confort de votre enfant.

ES Los prácticos orificios de drenaje (21) eliminan el agua de lluvia o cualquier líquido que pueda derramarse en el asiento. De esta forma, el acolchado y el asiento pueden secarse con rapidez para mayor comodidad del niño.

AR تعمل فتحات التصريف العملية على إزالة (21) ماء المطر أو أي سائل ينسكب في مقعد الطفل. ويتيح ذلك إمكانية جفاف الحشوة والمقعد على نحو أسرع في سبيل توفير الراحة للطفل.

BG Практични отвори за оттичане (21) позволяват дъждовната вода или друга течност, разлята на детската седалка, да изтичат. Това позволява тапицерията и седалката да изсъхнат по-бързо, което осигурява комфорта на вашето дете.

CS Praktické odtokové otvory (21) se starají o to, aby ze sedačky rychle odtekla dešťová voda i rozlitý čaj. Měkká vložka a sedačka díky nim rychleji uschne, což je pro pohodlí malého cestovatele velmi důležité.

DK Praktiske drænhuller (21) sørger for bortledning af regnvand eller eventuelle væsker, der spildes på barnesædet. Dette sikrer, at siddepuden og sædet tørrer hurtigere, og bidrager til komforten for dit barn.

EL Οι πρακτικές οπές (21) βοηθούν στην απομάκρυνση υγρών που μπορεί να χυθούν στο παιδικό κάθισμα και βοηθούν ώστε το μαξιλαράκι και το κάθισμα να στεγνώνουν πιο γρήγορα.

ET Praktilised äravooluavad (21) eemaldavad vihmavee või muu lasteistmele voolanud vedeliku. Nii kuivavad polster ja iste kiiremini ja lapsel on mugavam.

FI Lastenistuintimessa on kättevät aukot (21), joista sadevesi ja muut istuimeen kaatuneet nesteet pääsevät ulos. Niiden ansiosta pehmuste ja istuim kuivuvat nopeasti ja lapsen olo pysyy mukavana.

HE חריצי ניקוז שימושיים (21) מנקים מי נשמים או נוזלים אחרים שנשפכו על המושב לילד. כך הריפוד והמושב מתייבשים מהר יותר לנוחות הילד.

HR/BIH Praktične odvodne rupe (21) uklanjaju kišnicu, kao i sve druge tekućine koje se proliju po dječjoj sjedalici. To omogućuje da se obloga i sjedalica brže osuše radi udobnosti djeteta.

HU A praktikus vízelvezető nyílások (22) elvezetik a gyerekülésről az esővizet vagy a ráfolyt egyéb folyadékot. Így a huzat és az ülés gyorsabban szárad, ami növeli a gyermek kényelmét.

IT I pratici fori di drenaggio (21) rimuovono l'acqua piovana o qualsiasi liquido versato sul seggiolino. Ciò consente all'imbottitura e al seggiolino di asciugarsi rapidamente per il comfort del bambino.

JA 実用的な排水孔(21)により、チャイルドシートに雨水などの液体がかからないようになっていきます。パッドやシートがすばやく乾き、子供が居心地よく乗ることができます。

KO 실용적인 배출 구멍(21)을 통해 어린이 좌석에 떨어진 비나 앞질러진 액체가 배출됩니다. 따라서 패딩과 좌석이 빨리 마르고 보다 안락한 이용이 가능합니다.

LT Praktiškos nutekėjimo angos (21) skirtos lietaus vandeniui arba vaiko kėdutėje išsiliejusiam skysčiui ištekėti. Todėl įdėklas ir kėdutę greičiau džiusia ir vaikui būna patogiau.

LV Abās pusēs esošās netekas atveres (21) nodrošina lietus ūdens vai citu šķidrumu izvadi no bērnu sēdekļa. Tā ātrāk izžūst polsterējums un sēdekļis, un bērnam tiek nodrošināts komforts.

NL Praktische afvoergaten (21) verwijderen regenwater of andere vloeistoffen die in het kinderzitje zijn gemorst. Daardoor worden de bekleding en het zitje sneller droog, en kan uw kind lekker blijven zitten.

NO Praktiske dreneringshull (21) fjerner regnvann og væskesøl fra barnesetet. På denne måten tørker polstringen og setet raskere til fordel for barnet som skal sitte i setet.

PL Praktyczne otwory (21) ułatwiają odprowadzanie wody i wszelkich innych płynów wylanych na fotelik. Dzięki temu wysycha i fotelik szybciej wysychają, zapewniając dziecku pełen komfort.

PT Orifícios práticos de drenagem (21) removem água da chuva ou qualquer líquido derramado sobre o assento infantil. Isso permite que o forro e o assento sequem mais rápido para o conforto da criança.

RO Orificiile de scurgere practice (21) elimină apa de ploaie sau orice lichid vărsat pe scaunul pentru copil. Aceasta permite căptuşelii şi scaunului să se usuce mai rapid, pentru confortul copilului dumneavoastră.

RU Дождевая вода или любая другая жидкость, пролитая на сиденье, удаляются через практичные сливные отверстия (21). Это позволяет подкладке и всему сиденью высыхать быстрее, чтобы ребенку было комфортно.

Thule RideAlong - Installation - Montage

SK Praktické odtokové otvory (21) odvádzajú dažďovú vodu alebo akúkoľvek rozliatu tekutinu v detskej sedačke. Umožňujú rýchlejšie vysušenie potahu a sedačky, čím sa zvyšuje komfort dieťaťa.

SL Priročne odtočne luknje (21) odvajajo deževnico ali vsako tekočino, ki se polije po otroškem sedežu. Tako se podloga in sedež hitreje posušita.

SV De praktiska dräneringshålen (21) ser till att regnvatten eller andra vätskor som spills ut rinner ur sätet. Detta ger en högre komfort genom att sittdynan och sätet torkar fortare.

TH ช่องระบายน้ำที่ออกแบบอย่างดี (21) ช่วยให้น้ำฝนหรือของเหลวที่หกอยู่ในเก้าอี้เด็กไหลออกได้คล่อง แผ่นรองและเก้าอี้จึงแห้งเร็ว เพื่อความสบายของลูกน้อย

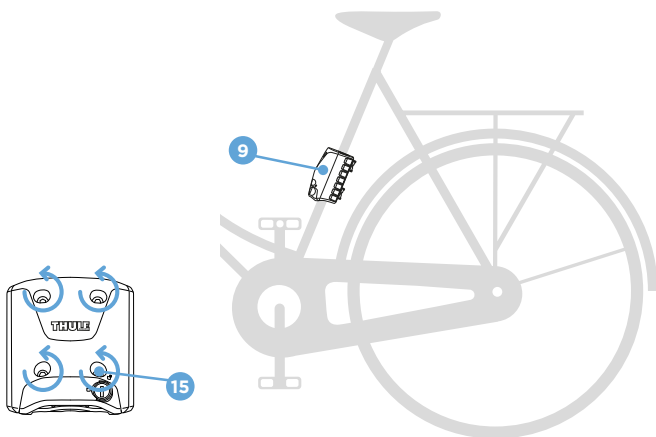
TR Pratik sıvı boşaltma delikleri (21), çocuk koltuğuna dökülmüş herhangi bir sıvıyı veya yağmur suyunu dışarı atar. Bu da, çocuğunuzun konforu için koltuk minderinin ve koltuğun daha hızlı kurumasını sağlar.

UK Дощова вода або будь-яка рідина, пролита на дитячому кріслі, витікає через зручні зливні отвори (21). Завдяки цьому подушка та крісло висихають швидше, що забезпечує постійний комфорт вашій дитині.

ZH 实用的排水孔 (21) 可以将雨水或任何泼溅的液体排出儿童座椅, 使衬垫和座椅能够更快干透, 为小孩带来舒适体验。

16 Removal of bracket from bicycle Halierung von Fahrrad entfernen

EN Remove the bracket **9** from the bicycle frame by unscrewing the four front-mounted screws **15**.



DE Nehmen Sie die Halierung (9) vom Fahrradrahmen ab, indem Sie die vier vorderen, leicht zugänglichen Schrauben (15) lösen.

FR Retirez le support (9) du cadre du vélo en dévissant les quatre vis avant facilement accessibles (15).

ES Quite la abrazadera (9) del cuadro de la bicicleta desatornillando los cuatro tornillos de montaje frontal de fácil acceso (15).

AR أزل الكتيفة (9) من هيكل الدراجة عن طريق فك المسامير اللولبية الأربعة التي يسهل الوصول إليها و المثبتة في الجزء الأمامي (15).

BG Свалете скобата (9) от рамката на велосипеда, като развийте четирите леснодостъпни, монтирани отзад винта (15).

CS Chcete-li držák (9) sejmout z rámu kola, uvolněte čtyři upevňovací šrouby umístěné na přední straně držáku (15).

DK Fjern beslaget (9) fra cyklens stel ved at løsne de fire lettilgængelige frontmonterede skruer (15).

EL Αφαιρέστε το βραχίονα (9) από το σκελετό του ποδηλάτου ξεβιδώνοντας τις τέσσερις, εύκολα προσβάσιμες, μπροστινές βίδες (15).

ET Eemaldage klamber (9) jalgrattaraamilt, keerates lahti neli hõlpsalt juurdepääsetavat klambri eesosas olevat kruvi (15).

FI Irrota kiinnike (9) polkupyörän rungosta avaamalla kiinnikkeen edessä helposti ulottuvilla olevat neljä ruuvia (15).

HE נתקו את התופסן (9) משלדת האופניים על-ידי הברנה החוצה של ארבעת הברגים הקדמיים-הנגישים בקלות (15).

HR/BIH Skinite držač (9) s okvira bicikla odvrtanjem četiriju lako dostupnih vijaka koji su montirani na prednjoj strani (15).

Thule RideAlong - Installation - Montage

HU A konzol (9) nyeregvaszcső-ről való eltávolításához csavarja ki a négy csavart (15).

IT Rimuovere la staffa (9) dal telaio della bicicletta svitando le quattro viti facilmente accessibili montate sulla parte anteriore(15).

JA ブラケット(9)をサイクルフレームから取り外すにはネジ4個を(15)を緩めます。ネジが前面にあるので作業が簡単です。

KO 쉽게 액세스 가능한 네 개의 전면 장착 나사(15)를 풀어 자전거 프레임에서 브래킷(9)을 분리합니다.

LT Nuimkite laikiklį (9) nuo dviračio rėmo atsukdami keturis laisvai pasiekiamus priekyje tvirtinamus varžtus (15).

LV Noņemiet skavu (9) no velosipēda rāmja, atskrūvējot abas priekšpusē uzstādītās skrūves (15) (tām var ļoti viegli piekļūt).

NL Verwijder de klem (9) van het fietsframe door de vier gemakkelijk toegankelijke schroeven (15) die aan de voorkant zijn gemonteerd, eraf te schroeven.

NO Du fjerner braketten (9) fra sykkelrammen ved å løsne de fire frontmonterte skruene (15).

PL Zdejmij uchwyty (9) z ramy roweru, odkręcając cztery łatwo dostępne śruby z przodu (15).

PT Remova o fixador (9) do quadro da bicicleta ao desparafusar os quatro parafusos frontais facilmente acessíveis (15).

RO Îndepărtați consola (9) de pe cadrul bicicletei prin deșurubarea celor patru șuruburi din față.

RU Снимите опоры (9) с велосипедной рамы, отвинтив четыре передних винта (15).

SK Odstráňte svorku (9) z rámu bicykla odskrutkovaním štyroch ľahko prístupných skrutiek z prednej strany (15).

SL Odstranite kolesarski prtljajnik (9) z okvirja kolesa tako, da odvijete štiri zlahka dostopne vijake na sprednji strani (15).

SV Du kan ta bort beslaget (9) från cykelramen genom att skruva ur de fyra skruvar som sitter lätt åtkomliga på beslagets framsida (15).

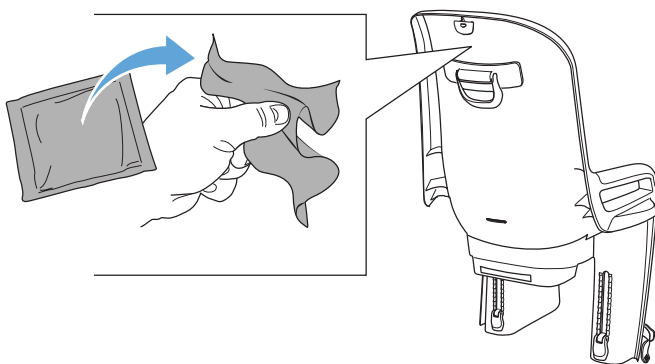
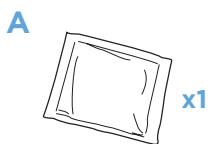
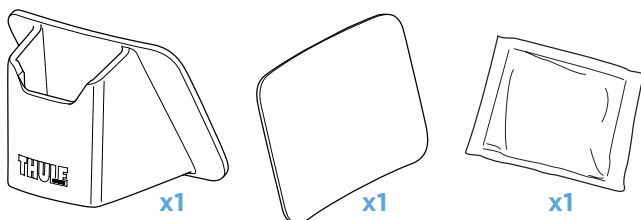
TH ถอดขายึด (9) ออกจากเฟรมรถจักรยาน โดยคลายสกรูยึดส่วนหน้าสี่ตัวที่เขาตั้งได้ง่าย (15)

TR Kolayca erişilebilen önden takılı dört vidayı (15) sökerek, bağlantı parçasını (9) bisiklet kadrosundan çıkarabilirsiniz.

UK Зніміть кронштейн (9) із рами велосипеда, відкрутивши на внутрішньому боці чотири гвинти (15), до яких дуже легко дістатися.

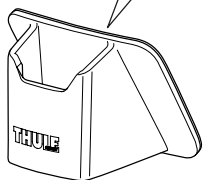
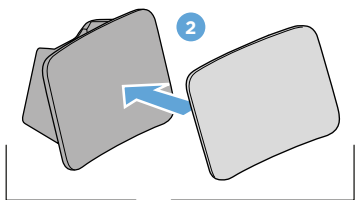
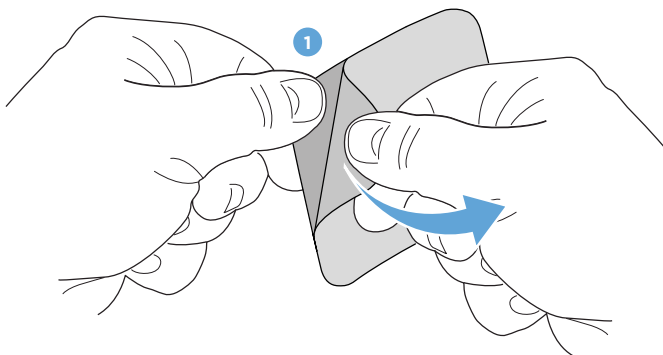
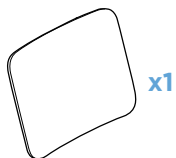
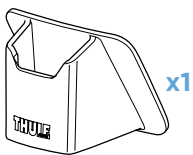
ZH 拧开四个正面安装螺丝(15)即可将托座(9)从自行车架上拆除。

17 Rear Light Adapter Rücklicht-Adapter

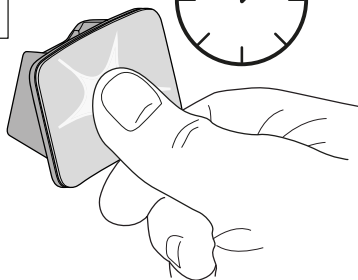
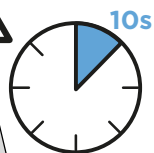


Thule RideAlong - Installation - Montage

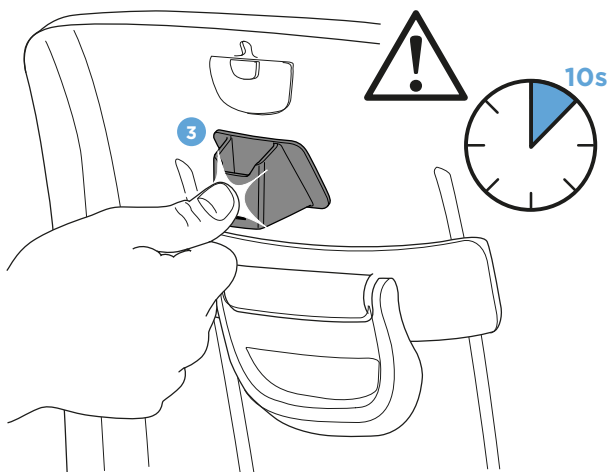
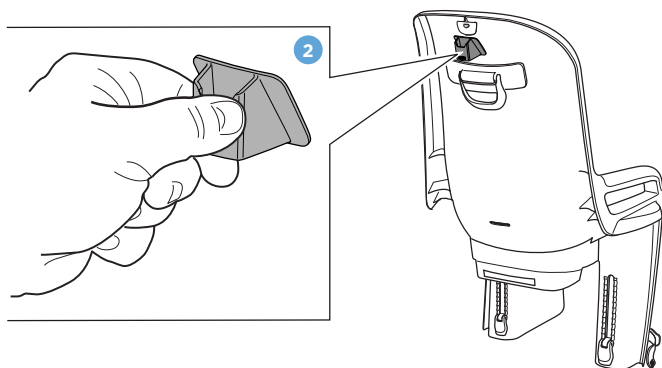
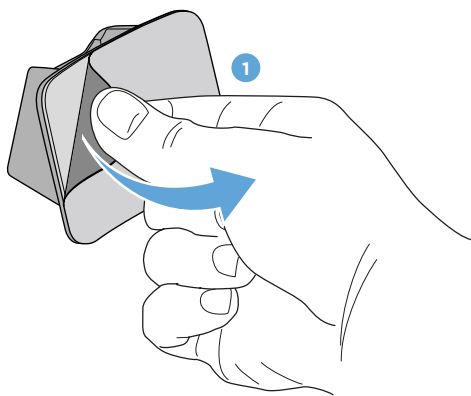
B



3

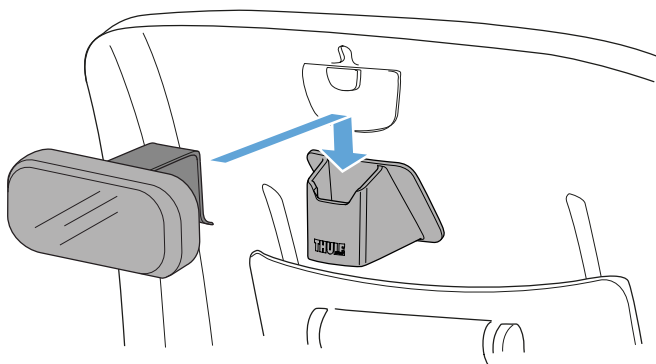
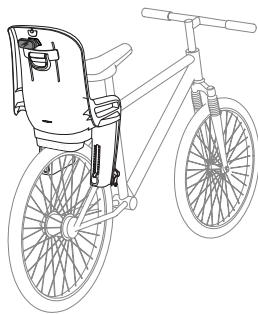
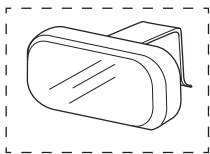


C



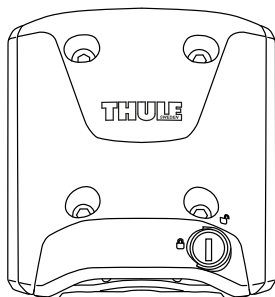
Thule RideAlong - Installation - Montage

D



18 Extra bracket Zusätzliche Halterung

EN Having an extra bracket makes it easy to move the child seat between two bicycles. This is the perfect solution for families where two people need to transport the child.



DE Eine zusätzliche Halterung ermöglicht den raschen Wechsel des Kindersitzes auf ein zweites Fahrrad – eine perfekte Lösung für Familien.

FR Avec un support supplémentaire, il est possible de déplacer facilement le siège vélo enfant d'un vélo à un autre. C'est la solution idéale pour les familles dans lesquelles deux personnes doivent transporter l'enfant.

ES Si se tiene una abrazadera adicional, resultará sencillo cambiar el asiento a otra bicicleta. Se trata de la solución perfecta para familias en las que dos personas llevan al niño en bicicleta.

AR وجود كتيفة إضافية يجعل من السهل نقل مقعد الطفل بين دراجتين. وهذا هو الحل الأمثل للعائلات التي يكون فيها شخصان بحاجة إلى نقل الطفل.

BG Наличието на допълнителна скоба улеснява преместването на седалката от един велосипед на друг и обратно. Това е идеалното решение за семейства, при които и двамата родители трябва да превозват детето.

CS Pokud si pořídíte další držák, budete dětskou cyklosedačku moci velmi snadno přesouvat z jednoho kola na druhé. Dva držáky jsou ideálním řešením pro rodiny, kde dítě vozí střídavě dva lidé.

DK Et ekstra beslag gør det let at flytte barnesædet frem og tilbage mellem to cykler. Det er den perfekte løsning for familier, hvor to personer har brug for at transportere barnet.

EL Έχοντας έναν επιπλέον βραχίονα μπορείτε πιο εύκολα να μεταφέρετε και να τοποθετήσετε το παιδικό κάθισμα σε διαφορετικό ποδήλατο. Αυτή είναι η ιδανική λύση για οικογένειες με δύο ποδηλάτα.

Thule RideAlong – Installation – Montage

ET Kui teil on lisaklamber, saate lasteistet kasutada kahel jalgrattal vaheldumisi. See sobib suurepäraselt peredele, kus last peavad transportima kaks inimest.

FI Lisäkiinnike voidaan asentaa toiseen polkupyörään, jolloin istuimen voi vaihtaa pyörästä toiseen nopeasti. Tämä on ihanteellinen ratkaisu perheille, joissa lasta kuljetetaan kahdella eri pyörällä.

HE התפסן הנוסף מקל על העברת המושב לילד בין שני זוגות אופניים. זהו הפתרון המושלם למשפחות שבהן שני אנשים צריכים להסיע את הילד.

HR/BIH Dodatni držač pojednostavljuje premještanje dječje sjedalice s jednog na drugi bicikl. Ovo je savršeno rješenje za obitelji u kojima dvije osobe trebaju prevoziti dijete.

HU A plusz konzol megléte megkönnyíti a gyerekülés egyik kerékpárról másikra való áthelyezését. Tökéletes megoldás olyan családok számára, amelyekben két személynek kell szállítania a gyermekét.

IT L'imbracatura supplementare semplifica lo spostamento del seggiolino tra due biciclette. Si tratta della soluzione perfetta per le famiglie in cui due persone devono trasportare il bambino.

JA 予備のブラケットがあれば、2台のサイクルでチャイルドシートを簡単に移動し取り付けることができます。家族の中で、子供を乗せて移動する大人が2人いる場合にとっても便利です。

KO 여분의 브래킷이 있어 어린이 좌석을 두 자전거 간에 쉽게 이동할 수 있습니다. 따라서 두 사람이 함께 어린이를 운송해야 하는 경우를 위한 최고의 가족용 솔루션입니다.

LT Turėdami papildomą kėdutės laikiklį galite lengvai perkelti vaiko kėdutę nuo vieno dviračio ant kito. Tai puikus sprendimas šeimoms, kai du žmonės atskirai turi vežti vaiką.

LV Ja būsit iegādājies vēl vienu skavu, tas atvieglos bērnu sēdekļa piestiprināšanu pamīšus diviem velosipēdiem. Šis ir izcils risinājums tām ģimenēm, kurās bērnu pārvadā divi cilvēki.

NL Met een extra klem is het gemakkelijker om het kinderzitje tussen twee fietsen uit te wisselen. Dit is de perfecte oplossing voor gezinnen waarin twee mensen het kind moeten vervoeren.

NO Med en ekstra brakett blir det enkelt å flytte barnesetet mellom to sykler. Dette er en perfekt løsning for familier hvor to personer veksler på å transportere barnet.

PL Dodatkowy uchwyt ułatwia używanie fotelika na dwóch rowerach. Jest to idealne rozwiązanie dla rodzin, gdzie dziecko wożą na zmianę dwie osoby.

PT Ter um fixador adicional facilitará transferir o assento infantil entre duas bicicletas. Essa é a solução perfeita para famílias onde duas pessoas precisam transportar a criança.

RO O consolă suplimentară ajută la mutarea scaunului pentru copil între două biciclete. Această este soluția perfectă pentru familiile în care două persoane transportă copilul.

RU Дополнительная опора позволит легко перемещать детское сиденье между двумя велосипедами. Это идеальное решение для семей, которые перевозят ребенка по очереди.

SK Dodatočná svorka umožňuje jednoduché premiestnenie detskej sedačky z jedného bicykla na druhý. Je to ideálne riešenie pre rodiny, ktoré potrebujú, aby dieťa prepravovali dvaja ľudia.

SL Če imate dodaten kolesarski prtljažnik, lahko enostavneje premikate otroški sedež z enega kolesa na drugo. To je popolna rešitev za družine, kjer otroka prevažate na dveh različnih kolesih.

SV Ett extra beslag ger en enkel och smidig möjlighet att flytta barnsätet mellan två olika cyklar. Detta är den perfekta lösningen för familjer där två vuxna behöver använda barnsätet på sina cyklar.

TH ขายึดพิเศษนี้ช่วยให้ย้ายเก้าอี้เด็กระหว่างรถจักรยานสองคันได้สะดวก นับเป็นวิธีแก้ปัญหาอันสมบูรณ์แบบสำหรับครอบครัวที่ต้องพาลูกกันรับส่งเด็ก

TR Fazladan bir bağlantı parçasına sahip olunması, çocuk koltuğunun iki bisiklet arasında taşınmasını kolaylaştırır. Çocuğu iki kişinin taşınmasının gerektiği aileler için bu, mükemmel bir çözümdür.

UK Завдяки додатковому кронштейну можна легко кріпити дитяче крісло то на одному велосипеді, то на іншому. Це ідеальне рішення для родин, де дитину потрібно перевозити кільком людям.

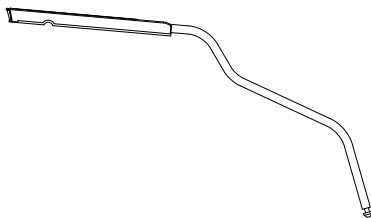
ZH 额外提供的托座便于在两辆自行车间移动儿童座椅，非常适合需要两个大人驮带小孩的家庭。

Thule RideAlong - Installation - Montage

19 Low saddle adaptor

Adapter für niedrige Sattelposition

EN If your bicycle saddle is positioned too low to allow the child bicycle seat to be mounted safely, the low saddle adaptor is an optional accessory.



DE Sollte Ihr Fahrradsattel für eine sichere Montage des Kindersitzes zu tief sitzen, können Sie den optionalen Satteladapter verwenden.

FR Si la selle de votre vélo est trop basse pour monter le siège vélo enfant en toute sécurité, l'adaptateur pour selle basse est disponible en option.

ES Si el sillín de la bicicleta está demasiado bajo como para montar con seguridad el asiento, el adaptador para sillín bajo es un accesorio opcional que resuelve este problema.

AR إذا تم وضع مقعد الدراجة في مستوى منخفض جدًا للسماح بتثبيت مقعد الطفل بالدراجة بأمان، فسيتم توفير أداة ضبط مقعد الدراجة المنخفض كملحق اختياري.

BG Ако седалката на вашия велосипед е разположена твърде ниско, за да позволи безопасното монтиране на детската седалка за велосипед, ще ви е нужен опционалният аксесоар адаптер за ниска седалка.

CS Máte-li sedlo na kole nastaveno tak nízko, že za něj dětskou cyklosedačku nelze bezpečně namontovat, použijte volitelný adaptér pro montáž na nízké sedlo.

DK Hvis din cykels sadel er placeret for lavt til, at barnesædet kan monteres sikkert, fås en adapter til lav sadel som ekstra tilbehør.

EL Εάν η σέλα του ποδηλάτου σας είναι πολύ χαμηλή και δεν επιτρέπει την ασφαλή τοποθέτηση του παιδικού καθίσματος, χρησιμοποιήστε προσαρμογέας σέλας.

ET Kui teie jalgratta sadul on liiga madalal, nii et jalgratta lasteistet ei saa turvaliselt paigaldada, saate kasutada juurdeostetavat madala sadula adapterit.

FI Jos polkupyörän satula on niin alhaalla, ettei lastenistuinta voida asentaa turvallisesti normaalilla kiinnitysputkella, voit käyttää matalan satulan sovintinputkea.

HE אם מושב האופניים נמוך מדי ולא מאפשר חיבור בטוח של המושב לילד, ניתן להשתמש באביזר האופציונלי של מתאם המושב הנמוך.

HR/BIH Ako je sjedalo bicikla postavljeno prenisko da bi se dječja sjedalica za bicikl mogla sigurno montirati, adapter niskog sjedala dostupan je kao opcionalni dodatak.

HU Ha a kerékpáryereg túl alacsony van a kerékpár-gyerekülés biztonságos rögzítéséhez, a külön megvásárolható alacsony nyergekhez való kiegészítő adapter használata ajánlott.

IT Se il sellino è posizionato troppo in basso per montare in tutta sicurezza il seggiolino da bicicletta per bambini, è possibile utilizzare l'adattatore per sellini bassi opzionale.

JA サイクルのサドルが低すぎて子供のサイクルシートを安全に取り付けられない場合は、オプションアクセサリとして低いサドル用のアダプターをご用意しています。

KO 자전거 안장이 너무 낮게 배치되어 어린이 자전거 좌석을 안전하게 장착할 수 없는 경우를 위해 낮은 안장 어댑터가 선택 사양 액세서리로 제공됩니다.

LT Jeigu dviračio balnelis nustatytas per žemai, kad būtų galima saugiai tvirtinti vaiko kėdutę, naudokite papildomą balnelio adapterio priedą.

LV Ja velosipēda sēdekļis ir novietots pārāk zemu, un tāpēc bērnu sēdekļa uzstādīšana nav droša, kā izvēles piederums var būt zema sēdekļa adapteris.

NL Indien uw fietszadel te laag zit om de kinderstoel er veilig op te monteren, is de adapter voor lage zadels een optionele accessoire.

NO Dersom sykkelsetet er justert så lavt at barnesetet ikke kan monteres på en trygg måte, kan du bruke adapteren for lave sykkelseter, som er ekstrautstyr.

PL Jeśli siodełko roweru jest ustawione za nisko, by bezpiecznie zamontować fotelik, można zastosować specjalnie wyprofilowany pałąk dostępny oddzielnie.

PT Se o banco da sua bicicleta for posicionado muito baixo para permitir que o assento infantil seja montado com segurança, o adaptador para selim baixo, um acessório opcional, pode ser usado com essa finalidade.

RO Dacă șaua bicicletei este poziționată prea jos pentru a permite montarea în siguranță a scaunului pentru copil, adaptorul inferior pentru șa este un accesoriu opțional.

RU Если седло велосипеда расположено слишком низко, что не позволяет безопасно закрепить детское сиденье, рекомендуется использовать дополнительный адаптер для низкого седла.

SK Ak máte sedadlo bicykla príliš nízko na bezpečnú montáž detskej cyklosedačky, voliteľným príslušenstvom je adaptér na nízke sedadlo.

SL V primeru, da je sedež vašega kolesa nameščen prenizko, da bi lahko varno namestili otroški sedež, je na voljo adapter za nizek sedež.

SV Om cykelns sadel är så lågt placerad att barnsätet inte kan monteras säkert kan adaptern för låga sadlar (extra tillbehör) användas.

TH ถ้าวานจักรยานอยู่ต่ำกว่าที่จะติดตั้งเก้าอี้จักรยานเด็กได้อย่างปลอดภัย ให้ใช้อะแดปเตอร์สำหรับอานต่ำที่เป็นอุปกรณ์เสริม

TR Bisiklet seleniz çocuk bisiklet koltuğunun güvenli bir şekilde monte edilmesine olanak vermek üzere çok düşüğe ayarlıysa, düşük sele adaptörü opsiyonel bir aksesuar olarak kullanılabilir.

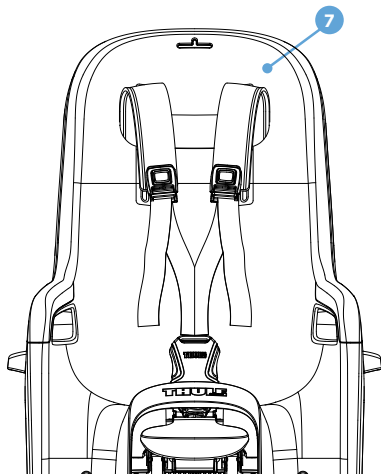
UK Якщо висота сидла вашого велосипеда замала для безпечного кріплення дитячого крісла, у пригоді стане перехідник для низьких сидел, який можна замовити додатково.

ZH 如果您的自行车车座过低，无法安全安装儿童自行车座椅，您可以选择可选附件低车座适配器。

Thule RideAlong - Installation - Montage

20 Extra padding Zusätzliche Polsterung

EN The padding **7** that comes with the bicycle seat is reversible, with different colours on each side. There is an optional extra padding if you need to replace the original padding, or if you would like to personalize the bicycle seat with a padding in another colour.



DE Die Polsterung (7) des Fahrradsitzes ist zweifarbig wendbar. Eine zusätzliche Polsterung ist erhältlich, wenn Sie die ursprüngliche Polsterung auswechseln oder Ihren Fahrradsitz durch eine andersfarbige Polsterung personalisieren möchten.

FR Le rembourrage (7) fourni avec le siège vélo enfant est amovible, avec différentes couleurs de chaque côté. Un rembourrage supplémentaire est disponible en option si vous devez remplacer le rembourrage d'origine, ou si vous souhaitez personnaliser le siège vélo avec un rembourrage d'une autre couleur.

ES El acolchado (7) que se incluye con el asiento para bicicleta es reversible, con distintos colores en cada lado. Se dispone de un acolchado extra opcional si necesita sustituir el original o si quiere personalizar el asiento con un acolchado en otro color.

AR تتميز الحشوة (7) التي تتوفر مع مقعد الدراجة بأنها قابلة للانعكاس على الوجهين، كما تتميز بألوانها المختلفة على كل جانب. وتتوفر أيضًا حشوة إضافية اختيارية إذا كنت بحاجة لاستبدال الحشوة الأصلية، أو إذا كنت ترغب في تخصيص مقعد الدراجة باستخدام حشوة بلون آخر.

BG Тапицерията (7), която е комплект със седалката за велосипед, е двулицева с различен цвят на всяка страна. В случай, че ви се наложи да смените оригиналната тапицерия или поискате да персонализирате вашата седалка за велосипед с тапицерия в друг цвят, разполагате с опционална допълнителна тапицерия.

CS Měkká vložka (7), která je součástí cyklosedačky, je oboustranná a z každé strany jinak barevná. Pokud byste ji potřebovali vyměnit nebo dávejte přednost jiné barvě, můžete si zakoupit náhradní měkkou vložku.

DK Siddepuden (7), der følger med barnesædet, er vendbar og har to forskellige farver. Som tilbehør fås en ekstra siddepude, der kan anvendes som erstatning for den originale siddepude, hvis der er brug for det, eller den kan bruges til at gøre barnesædet mere personligt ved at tilføje en ny farve.

EL Το μαξιλαράκι (7) που παρέχεται μαζί με το κάθισμα είναι διπλής όψης, με διαφορετικά χρώματα σε κάθε πλευρά. Διατίθεται ένα επιπλέον μαξιλαράκι σε περίπτωση που χρειαστεί να αντικαταστήσετε το αρχικό ή θελήσετε να τοποθετήσετε στο κάθισμα μαξιλαράκι άλλου χρώματος.

ET Jalgrattaistmega kaasas olev polster (7) on ümberpööratav - kumbki külj on eri värvi. Kui soovite originaalpolstri välja vahetada või soovite lasteistet mõne teise värvi abil isikupärasemaks muuta, saate kasutada juurdeostetavat lisapolstri.

FI Polkupyöränistuimen mukana toimitettava pehmuste (7) on käännettävä. Kääntöpuolella on toinen väri vaihtoehto. Pehmuste on saatavana myös lisävarusteena, jos alkuperäinen pehmuste on vaihdettava tai haluat vaihtaa pehmusteen värin.

HE הריפוד המצורף למושב האופניים (7) הוא דו-צדדי עם צבע שונה בכל צד. ניתן להשתמש בריפוד אופציונלי נוסף במידה ועליכם להחליף את הריפוד המקורי, או במידה ואתם מעוניינים להתאים את מושב האופניים לטעמכם האישי באמצעות ריפוד בצבע אחר.

HR/BIH Obloga (7) koja dolazi sa sjedalicom za bicikl ima dva lica, a svako je lice drugačije boje. Dostupna je i opcionalna dodatna obloga ako trebate zamijeniti izvornu oblogu ili ako biste htjeli prilagoditi sjedalicu za bicikl oblogom drugačije boje.

HU A kerékpárüléshez kapott párnázott huzat (7) kifordítható, két oldala eltérő színű. Másik huzat is vásárolható arra az esetre, ha cserélni kell az eredetit, vagy ha egy más színű huzattal szeretné személyre szabni a kerékpárülést.

IT L'imbottitura (7) inclusa con il seggiolino da bicicletta è reversibile, con colorazioni diverse per ciascun lato. È presente un'imbottitura extra opzionale per sostituire quella originale o personalizzare il seggiolino da bicicletta con un colore diverso.

JA サイクルシート付属のパッド (7) はリバーシブルで、表裏が色違いになっています。オプションで追加のパッドも購入でき、元のパッドとの交換が必要な場合や、別の色のパッドでサイクルシートをアレンジしたい時に利用できます。

KO 자전거 좌석과 함께 제공되는 패딩(7)은 뒤집을 수 있으며 양면에 다른 색상이 적용되어 있습니다. 순정 패딩을 교체해야 할 경우 또는 다른 색상의 패딩으로 자전거 좌석을 맞춤 설정 하려는 경우 선택 사양인 여분의 패딩을 사용할 수 있습니다.

LT Kartu su dviračio kėdute pateikiamo dvipusio įdėklo (7) spalvos abiejose pusėse yra skirtingos. Jei norite pakeisti originalų įdėklą arba pritaikyti dviračio kėduteį asmeniniams poreikiams, galite įsigyti papildomą kitos spalvos įdėklą.

LV Velosipēda sēdekļa komplektācijā iekļautais polsterējums (7) ir abpusējs, un katra tā puse ir citā krāsā. Tāpat ir pieejams papildu polsterējums, ja ir nepieciešams aizstāt oriģinālo, vai arī, ja vēlaties personalizēt velosipēda sēdekli ar citas krāsas polsterējumu.

NL De bekleding (7) van de fietsstoel is omkeerbaar, met verschillende kleuren aan elke kant. Er is optionele extra bekleding als u de originele bekleding moet vervangen, of als u de fietsstoel een persoonlijk tintje wilt geven met bekleding in een andere kleur.

NO Polstringen (7) som følger med barnesetet, er vendbar og har ulik farge på hver side. Du kan kjøpe en ekstra polstring som ekstrautstyr dersom du trenger å skifte ut den opprinnelige polstringen eller ønsker å bruke en annen farge sammen med barnesetet.

Thule RideAlong - Installation - Montage

PL Wyściółka (7) fotelika jest dwustronna, a każda strona ma inny kolor. Wyściółki dostępne są osobno jako dodatkowe akcesoria, gdy konieczna jest wymiana oryginalnie zastosowanej w foteliku lub dla nadania mu bardziej indywidualnego charakteru.

PT O forro (7) fornecido com o assento de bicicleta é reversível, isto é, ele possui cores diferentes de cada lado. Há um forro adicional opcional se você precisar substituir o forro original ou se desejar personalizar o assento da bicicleta com um forro em outra cor.

RO Căptușeala (7) care însoțește scaunul pentru bicicletă este inversabilă, având culori diferite pe fiecare parte. Este disponibilă o căptușeală opțională suplimentară dacă aveți nevoie să înlocuiți căptușeala originală sau dacă doriți să personalizați scaunul bicicletei cu o căptușeală de altă culoare.

RU Материал подкладки (7), которая поставляется с сиденьем, двусторонний, разного цвета с каждой стороны. Отдельно можно заказать дополнительную подкладку, если необходимо заменить оригинальную, или если вы хотите подкладку строго определенного цвета.

SK Poťah (7), ktorý sa dodáva s cyklosedačkou, je obojstranný, pričom na každej strane sú iné farby. Ak potrebujete vymeniť pôvodný poťah alebo ak si chcete prispôsobiť cyklosedačku pomocou poťahu inej farby, môžete sa rozhodnúť pre ďalší poťah.

SL Podloga (7), priložena otroškemu sedežu, je uporabna z obeh strani in je različnih barv. V prodaji je dodatna podloga, če želite zamenjati originalno podlogo ali če vam barve le te niso všeč.

SV Den sittdyna (7) som medföljer barnsätet är vändbar och har olika färg på de båda sidorna. Du kan även köpa en extra sittdyna (extra tillbehör) om du behöver ersätta den

medföljande eller vill göra barnsätet mer personligt med hjälp av en sittdyna i en annan färg.

TH แผ่นรอง (7) ที่มาพร้อมกับเก้าอี้จักรยานเป็นแบบกลับด้านได้ โดยแต่ละด้านมีสีต่างกัน และมีแผ่นรองพิเศษให้เลือกใช้ด้วย หากคุณจำเป็นต้องเปลี่ยนแผ่นรองเดิมหรือหากต้องการเปลี่ยนเก้าอี้จักรยานเป็นสีอื่นที่เหมาะสม

TR Bisiklet koltuğu ile birlikte gelen koltuk minderinin (7), her iki tarafı farklı renklerde olup, çift taraflı kullanılabilir. Orijinal koltuk minderini değiştirmeniz gerekirse veya bisiklet koltuğunda başka bir renkteki koltuk minderini kullanmak isterseniz, opsiyonel ekstra bir koltuk minderini verilmektedir.

UK Подушка (7), що йде в комплекті з велосипедним кріслом, двостороння з боками різного кольору. Можна замовити додаткову подушку, якщо потрібно замінити стару чи зробити крісло несхожим на жодне інше завдяки подушці іншого кольору.

ZH 自行车座椅配备的衬垫 (7) 双面可用, 且有两种颜色可选。如果您需要更换原装衬垫, 或者希望使用其他颜色的衬垫打造个性十足的自行车座椅, 我们提供了可选的额外衬垫。

