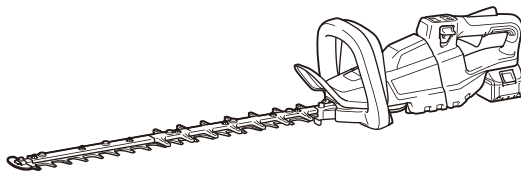




EN	Cordless Hedge Trimmer	INSTRUCTION MANUAL	8
SV	Batteridrivnen häcksax	BRUKSANVISNING	16
NO	Batteridrevet hekktrimmer	BRUKSANVISNING	24
FI	Akkukäyttöinen pensasleikkuri	KÄYTTÖOHJE	32
LV	Bezvadu dzīvžoga apgriezējmašīna	LIETOŠANAS INSTRUKCIJA	40
LT	Akumulatorinės gyvatvorių žirklės	NAUDOJIMO INSTRUKCIJA	48
ET	Juhtmeta hekilõikur	KASUTUSJUHEND	56
RU	Аккумуляторный Кусторез	РУКОВОДСТВО ПО ЭКСПЛУАТАЦИИ	64

DUH501
DUH601
DUH751
DUH502
DUH602
DUH752



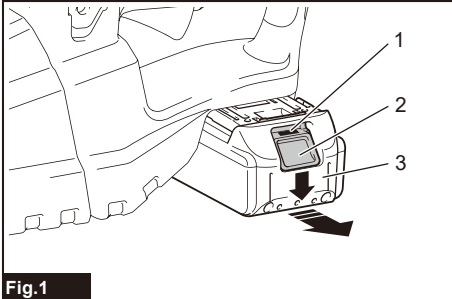


Fig.1

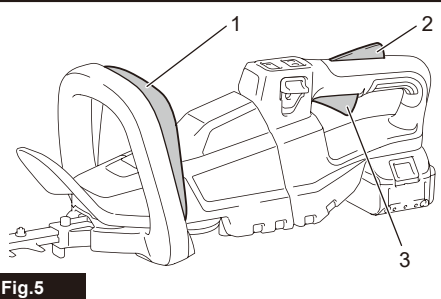


Fig.5

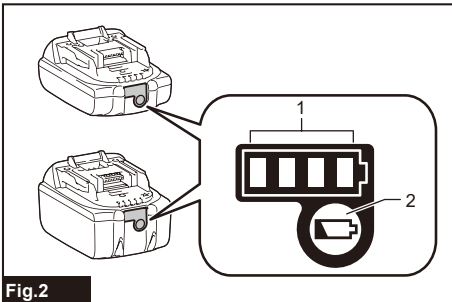


Fig.2

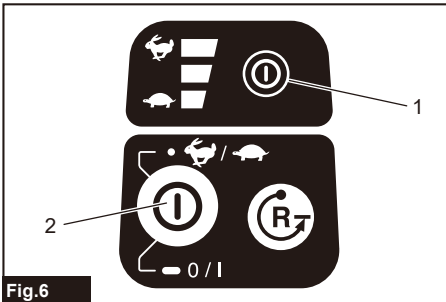


Fig.6

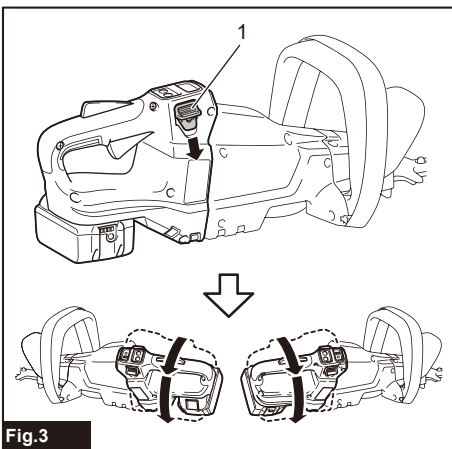


Fig.3

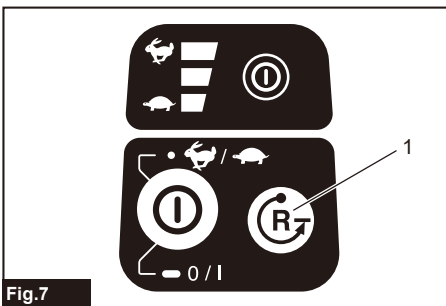


Fig.7

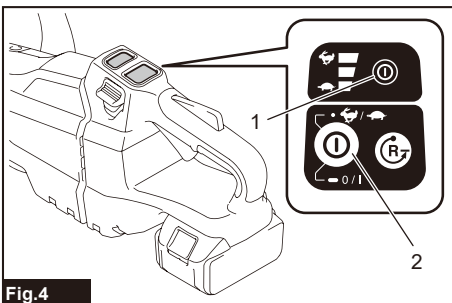


Fig.4

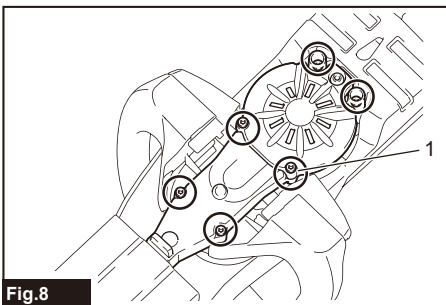


Fig.8

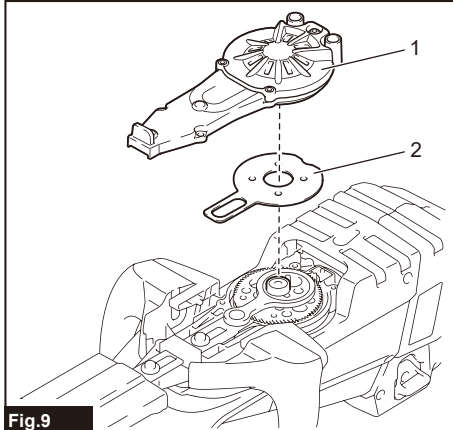


Fig.9

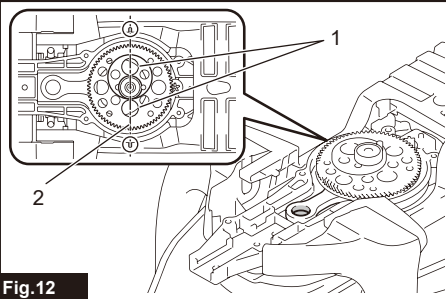


Fig.12

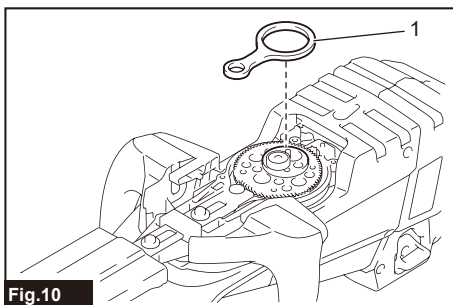


Fig.10

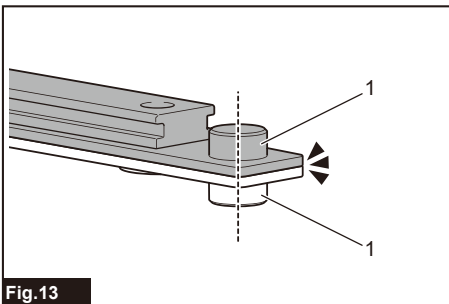


Fig.13

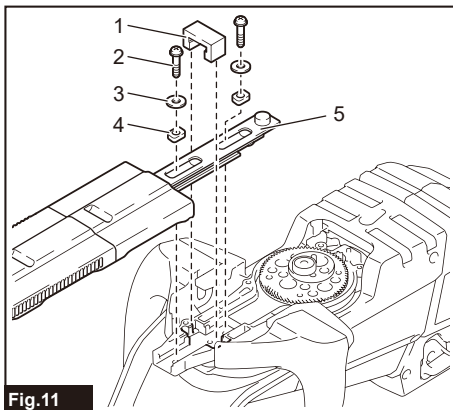


Fig.11

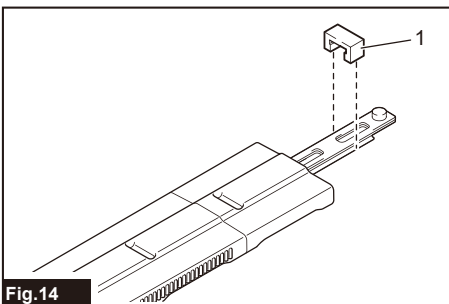


Fig.14

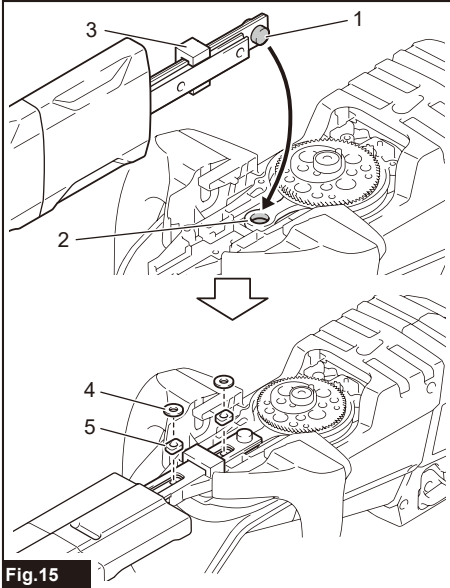


Fig.15

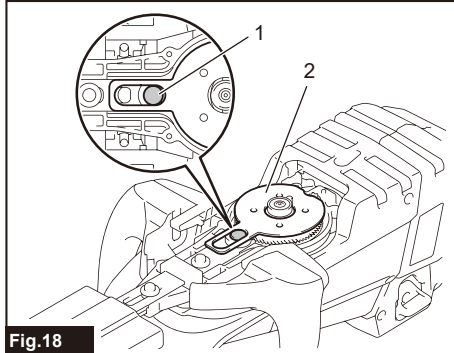


Fig.18

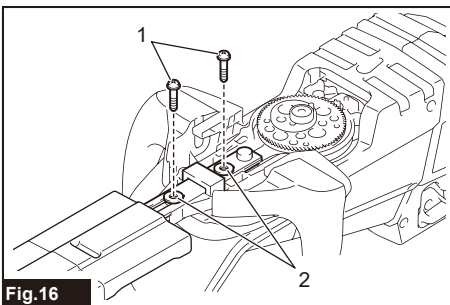


Fig.16

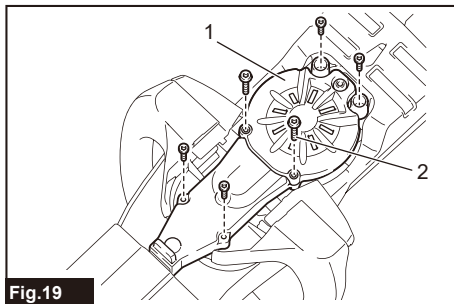


Fig.19

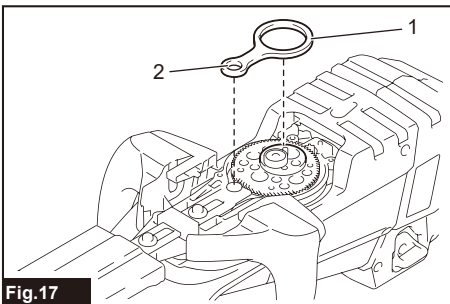


Fig.17

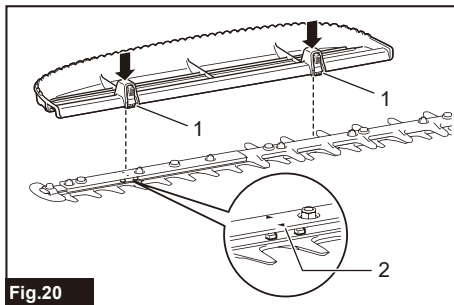


Fig.20

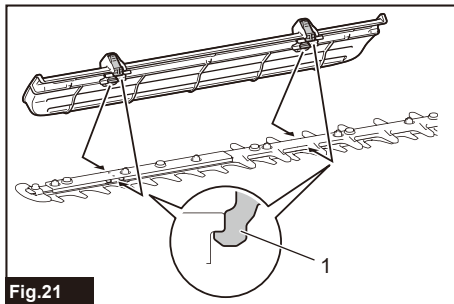


Fig.21

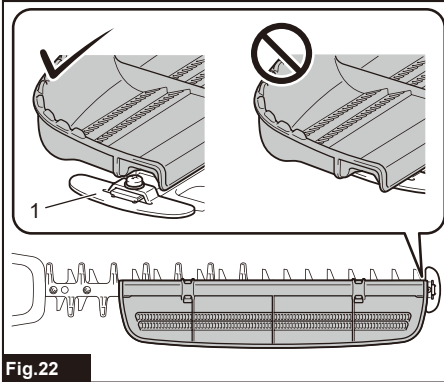


Fig.22

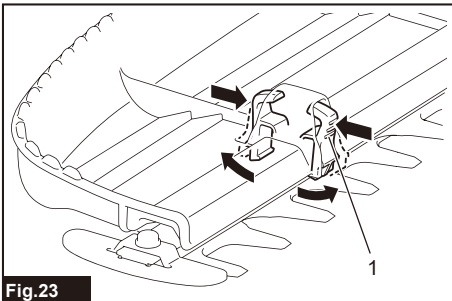


Fig.23

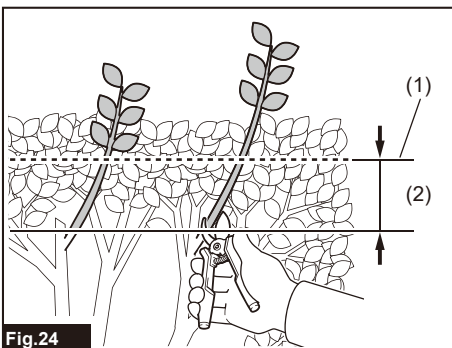


Fig.24

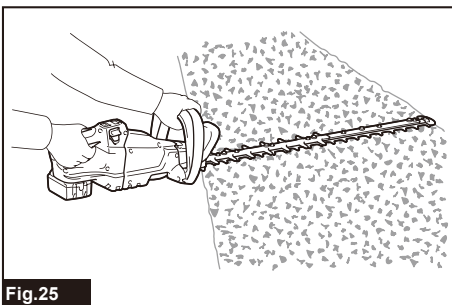


Fig.25

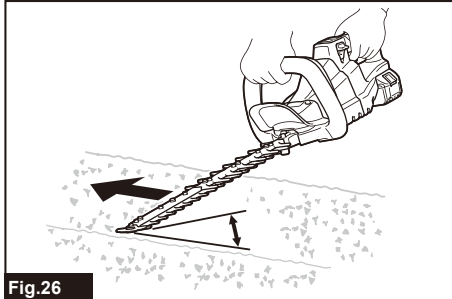


Fig.26

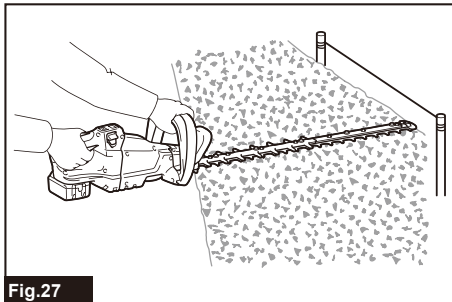


Fig.27

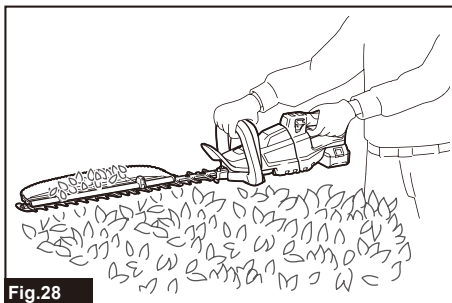


Fig.28

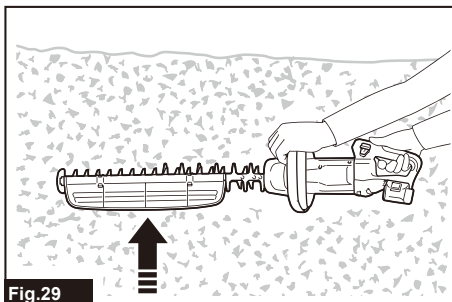


Fig.29

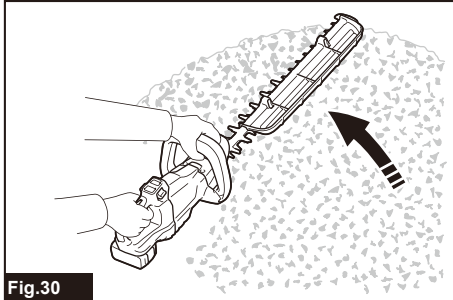


Fig.30

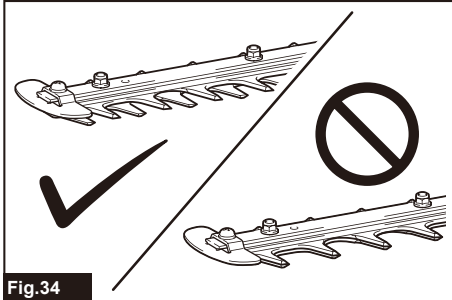


Fig.34

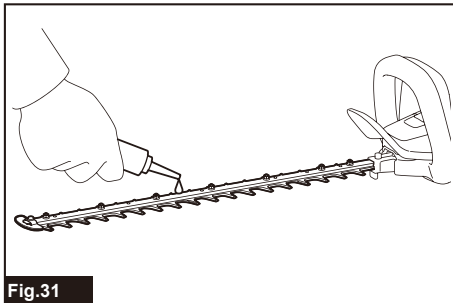


Fig.31

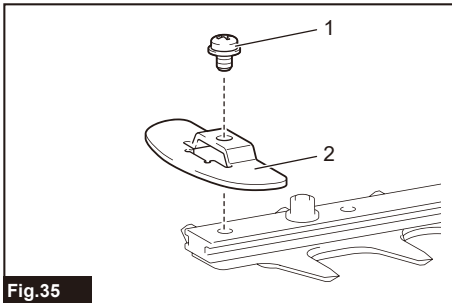


Fig.35

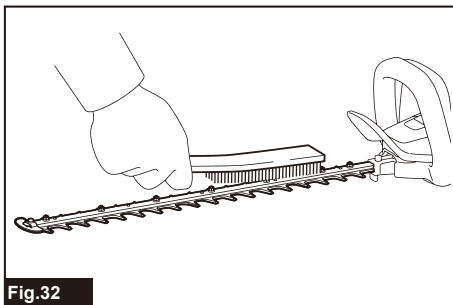


Fig.32

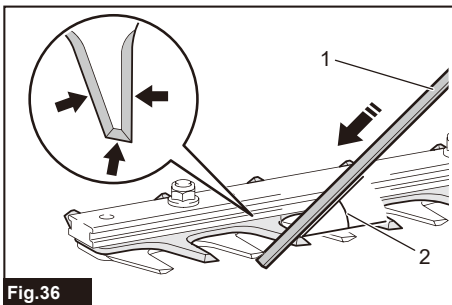


Fig.36

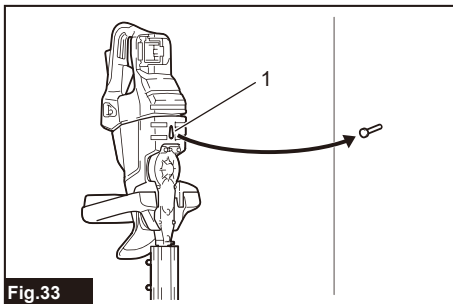


Fig.33

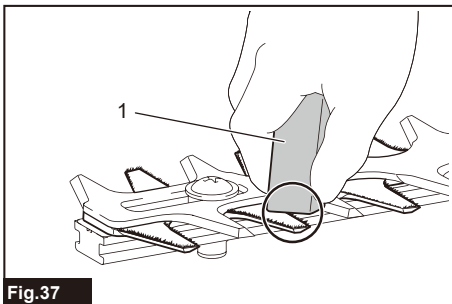


Fig.37

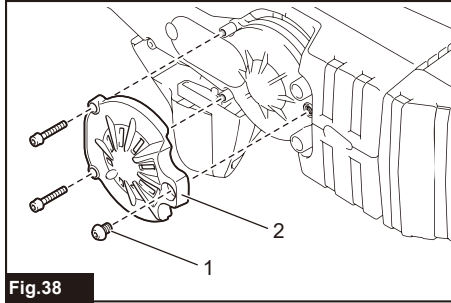


Fig.38

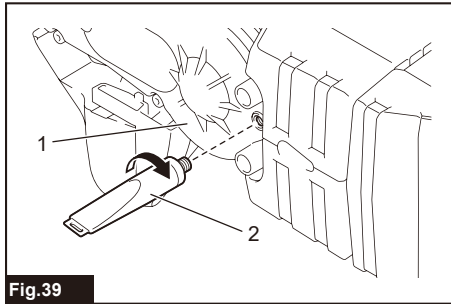


Fig.39

SPECIFICATIONS

Model:	DUH501	DUH601	DUH751
Blade length	500 mm	600 mm	750 mm
Strokes per minute	0 - 4,400 min ⁻¹		
Overall length	1,016 mm	1,121 mm	1,261 mm
Rated voltage	D.C. 18 V		
Net weight	3.8 - 4.5 kg		

Model:	DUH502	DUH602	DUH752
Blade length	500 mm	600 mm	750 mm
Strokes per minute	0 - 4,400 min ⁻¹		
Overall length	1,016 mm	1,121 mm	1,261 mm
Rated voltage	D.C. 18 V		
Net weight	3.8 - 4.5 kg		

- Due to our continuing program of research and development, the specifications herein are subject to change without notice.
- Specifications may differ from country to country.
- The weight may differ depending on the attachment(s), including the battery cartridge. The lightest and heaviest combination, according to EPTA-Procedure 01/2014, are shown in the table.

Applicable battery cartridge

BL1815N / BL1820 / BL1820B / BL1830 / BL1830B / BL1840 / BL1840B / BL1850 / BL1850B / BL1860B

- Some of the battery cartridges listed above may not be available depending on your region of residence.

⚠ WARNING: Only use the battery cartridges listed above. Use of any other battery cartridges may cause injury and/or fire.

Symbols

The followings show the symbols used for the equipment. Be sure that you understand their meaning before use.



Read instruction manual.



Do not expose to moisture.



Only for EU countries

Do not dispose of electric equipment or battery pack together with household waste material! In observance of the European Directives, on Waste Electric and Electronic Equipment and Batteries and Accumulators and Waste Batteries and Accumulators and their implementation in accordance with national laws, electric equipment and batteries and battery pack(s) that have reached the end of their life must be collected separately and returned to an environmentally compatible recycling facility.

Intended use

The tool is intended for trimming hedges.

Noise

Applicable standard : EN60745-2-15

Model	Sound pressure level		Sound power level	
	L _{PA} (dB(A))	Uncertainty K (dB(A))	L _{PA} (dB(A))	Uncertainty K (dB(A))
DUH501	84	3	97	3
DUH601	82	3	95	3
DUH751	84	3	97	3
DUH502	81.3	3	86.8	3
DUH602	82.1	3	87.4	3
DUH752	80.5	3	87.8	3

NOTE: The declared noise emission value(s) has been measured in accordance with a standard test method and may be used for comparing one tool with another.

NOTE: The declared noise emission value(s) may also be used in a preliminary assessment of exposure.

⚠WARNING: Wear ear protection.

⚠WARNING: The noise emission during actual use of the power tool can differ from the declared value(s) depending on the ways in which the tool is used especially what kind of workpiece is processed.

⚠WARNING: Be sure to identify safety measures to protect the operator that are based on an estimation of exposure in the actual conditions of use (taking account of all parts of the operating cycle such as the times when the tool is switched off and when it is running idle in addition to the trigger time).

Vibration

The vibration total value (tri-axial vector sum) determined according to EN60745-2-15:

Model DUH501

Vibration emission (a_h) : 2.5 m/s²

Uncertainty (K) : 1.5 m/s²

Model DUH601

Vibration emission (a_h) : 2.5 m/s² or less

Uncertainty (K) : 1.5 m/s²

Model DUH751

Vibration emission (a_h) : 2.5 m/s²

Uncertainty (K) : 1.5 m/s²

Model DUH502

Vibration emission (a_h) : 2.5 m/s²

Uncertainty (K) : 1.5 m/s²

Model DUH602

Vibration emission (a_h) : 2.5 m/s² or less

Uncertainty (K) : 1.5 m/s²

Model DUH752

Vibration emission (a_h) : 2.5 m/s² or less

Uncertainty (K) : 1.5 m/s²

NOTE: The declared vibration total value(s) has been measured in accordance with a standard test method and may be used for comparing one tool with another.

NOTE: The declared vibration total value(s) may also be used in a preliminary assessment of exposure.

⚠WARNING: The vibration emission during actual use of the power tool can differ from the declared value(s) depending on the ways in which the tool is used especially what kind of workpiece is processed.

⚠WARNING: Be sure to identify safety measures to protect the operator that are based on an estimation of exposure in the actual conditions of use (taking account of all parts of the operating cycle such as the times when the tool is switched off and when it is running idle in addition to the trigger time).

EC Declaration of Conformity

For European countries only

The EC declaration of conformity is included as Annex A to this instruction manual.

SAFETY WARNINGS

General power tool safety warnings

⚠WARNING: Read all safety warnings, instructions, illustrations and specifications provided with this power tool. Failure to follow all instructions listed below may result in electric shock, fire and/or serious injury.

Save all warnings and instructions for future reference.

The term "power tool" in the warnings refers to your mains-operated (corded) power tool or battery-operated (cordless) power tool.

Cordless Hedge Trimmer Safety Warnings

1. **Keep all parts of the body away from the cutter blade. Do not remove cut material or hold material to be cut when blades are moving. Make sure the switch is off when clearing jammed material.** A moment of inattention while operating the hedge trimmer may result in serious personal injury.
2. **Carry the hedge trimmer by the handle with the cutter blade stopped. When transporting or storing the hedge trimmer always fit the cutting device cover.** Proper handling of the hedge trimmer will reduce possible personal injury from the cutter blades.
3. **Hold the power tool by insulated gripping surfaces only, because the cutter blade may contact hidden wiring.** Cutter blades contacting a "live" wire may make exposed metal parts of the power tool "live" and could give the operator an electric shock.
4. **DANGER - Keep hands away from blade.** Contact with blade will result in serious personal injury.
5. **Do not use the hedge trimmer in the rain or in wet or very damp conditions.** The electric motor is not waterproof.
6. **First-time users should have an experienced hedge trimmer user show them how to use the trimmer.**
7. **The hedge trimmer must not be used by children or young persons under 18 years of age.** Young persons over 16 years of age may be exempted from this restriction if they are undergoing training under the supervision of an expert.
8. **Use the hedge trimmer only if you are in good physical condition.** If you are tired, your attention will be reduced. Be especially careful at the end of a working day. Perform all work calmly and carefully. The user is responsible for all damages to third parties.

9. Never use the trimmer under the influence of alcohol, drugs or medication.
10. Work gloves of stout leather are part of the basic equipment of the hedge trimmer and must always be worn when working with it. Also wear sturdy shoes with anti-skid soles.
11. Before starting work check to make sure that the trimmer is in good and safe working order. Ensure guards are fitted properly. The hedge trimmer must not be used unless fully assembled.
12. Make sure you have a secure footing before starting operation.
13. Hold the tool firmly when using the tool.
14. Do not operate the tool at no-load unnecessarily.
15. Immediately switch off the motor and remove the battery cartridge if the cutter should come into contact with a fence or other hard object. Check the cutter for damage, and if damaged repair immediately.
16. Before checking the cutter, taking care of faults, or removing material caught in the cutter, always switch off the trimmer and remove the battery cartridge.
17. Switch off the trimmer and remove the battery cartridge before doing any maintenance work.
18. When moving the hedge trimmer to another location, including during work, always remove the battery cartridge and put the blade cover on the cutter blades. Never carry or transport the trimmer with the cutter running. Never grasp the cutter with your hands.
19. Clean the hedge trimmer and especially the cutter after use, and before putting the trimmer into storage for extended periods. Lightly oil the cutter and put on the cover. The cover supplied with the unit can be hung on the wall, providing a safe and practical way to store the hedge trimmer.
20. Store the hedge trimmer with the cover on, in a dry room. Keep it out of reach of children. Never store the trimmer outdoors.
21. Never point the shear blades to yourself or others.
22. If the blades stop moving due to the stuck of foreign objects between the blades during operation, switch off the tool and remove the battery cartridge, and then remove the foreign objects using tools such as pliers. Removing the foreign objects by hand may cause an injury for the reason that the blades may move in reaction to removing the foreign objects.
23. Avoid dangerous environment. Don't use the tool in damp or wet locations or expose it to rain. Water entering the tool will increase the risk of electric shock.
24. Do not dispose of the battery(ies) in a fire. The cell may explode. Check with local codes for possible special disposal instructions.
25. Do not open or mutilate the battery(ies). Released electrolyte is corrosive and may cause damage to the eyes or skin. It may be toxic if swallowed.
26. Do not charge battery in rain, or in wet locations.
27. Check the hedges and bushes for foreign objects, such as wire fences or hidden wiring before operating the tool.

SAVE THESE INSTRUCTIONS.

⚠WARNING: DO NOT let comfort or familiarity with product (gained from repeated use) replace strict adherence to safety rules for the subject product. MISUSE or failure to follow the safety rules stated in this instruction manual may cause serious personal injury.

Important safety instructions for battery cartridge

1. Before using battery cartridge, read all instructions and cautionary markings on (1) battery charger, (2) battery, and (3) product using battery.
2. Do not disassemble battery cartridge.
3. If operating time has become excessively shorter, stop operating immediately. It may result in a risk of overheating, possible burns and even an explosion.
4. If electrolyte gets into your eyes, rinse them out with clear water and seek medical attention right away. It may result in loss of your eyesight.
5. Do not short the battery cartridge:
 - (1) Do not touch the terminals with any conductive material.
 - (2) Avoid storing battery cartridge in a container with other metal objects such as nails, coins, etc.
 - (3) Do not expose battery cartridge to water or rain.

A battery short can cause a large current flow, overheating, possible burns and even a breakdown.
6. Do not store the tool and battery cartridge in locations where the temperature may reach or exceed 50 °C (122 °F).
7. Do not incinerate the battery cartridge even if it is severely damaged or is completely worn out. The battery cartridge can explode in a fire.
8. Be careful not to drop or strike battery.
9. Do not use a damaged battery.
10. The contained lithium-ion batteries are subject to the Dangerous Goods Legislation requirements. For commercial transports e.g. by third parties, forwarding agents, special requirement on packaging and labeling must be observed. For preparation of the item being shipped, consulting an expert for hazardous material is required. Please also observe possibly more detailed national regulations. Tape or mask off open contacts and pack up the battery in such a manner that it cannot move around in the packaging.
11. Follow your local regulations relating to disposal of battery.
12. Use the batteries only with the products specified by Makita. Installing the batteries to non-compliant products may result in a fire, excessive heat, explosion, or leak of electrolyte.

SAVE THESE INSTRUCTIONS.

⚠CAUTION: Only use genuine Makita batteries. Use of non-genuine Makita batteries, or batteries that have been altered, may result in the battery bursting causing fires, personal injury and damage. It will also void the Makita warranty for the Makita tool and charger.

Tips for maintaining maximum battery life

1. Charge the battery cartridge before completely discharged. Always stop tool operation and charge the battery cartridge when you notice less tool power.
2. Never recharge a fully charged battery cartridge. Overcharging shortens the battery service life.
3. Charge the battery cartridge with room temperature at 10 °C - 40 °C (50 °F - 104 °F). Let a hot battery cartridge cool down before charging it.
4. Charge the battery cartridge if you do not use it for a long period (more than six months).

FUNCTIONAL DESCRIPTION

CAUTION: Always be sure that the tool is switched off and the battery cartridge is removed before adjusting or checking function on the tool.

Installing or removing battery cartridge

CAUTION: Always switch off the tool before installing or removing of the battery cartridge.

CAUTION: Hold the tool and the battery cartridge firmly when installing or removing battery cartridge. Failure to hold the tool and the battery cartridge firmly may cause them to slip off your hands and result in damage to the tool and battery cartridge and a personal injury.

► Fig.1: 1. Red indicator 2. Button 3. Battery cartridge

To remove the battery cartridge, slide it from the tool while sliding the button on the front of the cartridge.

To install the battery cartridge, align the tongue on the battery cartridge with the groove in the housing and slip it into place. Insert it all the way until it locks in place with a little click. If you can see the red indicator on the upper side of the button, it is not locked completely.

CAUTION: Always install the battery cartridge fully until the red indicator cannot be seen. If not, it may accidentally fall out of the tool, causing injury to you or someone around you.

CAUTION: Do not install the battery cartridge forcibly. If the cartridge does not slide in easily, it is not being inserted correctly.

Indicating the remaining battery capacity

Only for battery cartridges with the indicator

► Fig.2: 1. Indicator lamps 2. Check button

Press the check button on the battery cartridge to indicate the remaining battery capacity. The indicator lamps light up for a few seconds.

Indicator lamps			Remaining capacity
Lighted	Off	Blinking	
			75% to 100%
			50% to 75%
			25% to 50%
			0% to 25%
			Charge the battery.
			The battery may have malfunctioned.

NOTE: Depending on the conditions of use and the ambient temperature, the indication may differ slightly from the actual capacity.

Tool / battery protection system

The tool is equipped with a tool/battery protection system. This system automatically cuts off power to the motor to extend tool and battery life. The tool will automatically stop during operation if the tool or battery is placed under one of the following conditions:

Status	Indicator lamps		
	On	Off	Blinking
Overload			
Overheat			
Over discharge			


Overload protection

If the tool is overloaded by entangled branches or other debris, and the middle indicators start blinking and the tool automatically stops.

In this situation, turn the tool off and stop the application that caused the tool to become overloaded. Then turn the tool on to restart.


NOTICE: Depending on the usage conditions, the tool is automatically turned off without any indication if the tool is overloaded by entangled branches or debris. In this case, switch off the tool and remove the battery cartridge, and then remove entangled branches or debris using tools such as pliers. After removing the branches or debris, install the battery cartridge and turn on the tool again.

Overheat protection for tool or battery

There are two types of overheating; tool overheating and battery overheating. When the tool over heating occurs, all speed indicators blink. When the battery over heating occurs,  indicator blinks.

If the overheating occurs, the tool stops automatically. Let the tool and/or battery cool down before turning the tool on again.

Overdischarge protection

When the battery capacity becomes low, the tool stops automatically and  indicator blinks.

If the tool does not operate even when the switches are operated, remove the battery from the tool and charge the battery.

Angle setting of the handle

CAUTION: Always make sure that the handle is locked in the desired position before operation.

CAUTION: Do not pull down the lever to unlock the handle while pulling the switch trigger. Do not pull the switch trigger while pulling down the lever and turning the handle. Failure to do so may cause a malfunction of the tool.

You can set the angle of the handle to 0°, 45°, or 90° to the left or right. To change the angle of the handle, turn the handle while pulling down the lever, and then release the lever.

► Fig.3: 1. Lever

Power switch action

WARNING: For your safety, this tool is equipped with lock-off lever which prevents the tool from unintended starting. NEVER use the tool if it runs when you simply press the switch lever and pull the switch trigger without pressing the lock-off lever. Return the tool to our authorized service center for proper repairs BEFORE further usage.

WARNING: NEVER tape down or defeat purpose and function of lock-off lever.

WARNING: Before installing the battery cartridge on the tool, always check to see that the switch trigger and switch lever actuate properly and return to the "OFF" position when released. Operating a tool with a switch that does not actuate properly can lead to loss of control and serious personal injury.

CAUTION: Never put your finger on the switch when carrying. The tool may start unintentionally and cause injury.

NOTICE: Do not pull the switch trigger hard without pressing the lock-off lever. This can cause switch breakage.

Press and hold the main power button to turn on the tool. The power lamp lights up when the tool is turned on. To turn off the tool, press and hold the main power button again. The power lamp goes off when the tool is turned off.

► Fig.4: 1. Power lamp 2. Main power button

NOTE: The tool is automatically turned off if the tool is not operated for a certain period.

To prevent the switch trigger from being accidentally pulled, a lock-off lever is provided. To start the tool, depress the lock-off lever, and then press the switch lever and pull the switch trigger. The tool speed increases by increasing pressure on the switch trigger. Release the switch trigger to stop.







► Fig.5: 1. Switch lever 2. Lock-off lever 3. Switch trigger

Speed adjusting

You can adjust the tool speed by tapping the main power button.

Each time you tap the main power button, the level of speed will change.

► Fig.6: 1. Power lamp 2. Main power button

Indicator	Mode	Stroke speed
	High	4,400 min ⁻¹
		
	Medium	3,600 min ⁻¹
		
	Low	2,000 min ⁻¹
		

Reverse button for debris removal

WARNING: If the entangled branches or debris cannot be removed by the reverse function, switch off the tool and remove the battery cartridge, and then remove the entangled branches or debris using tools such as pliers. Failure to switch off the tool and remove the battery cartridge may result in serious personal injury from accidental start-up. Removing the entangled branches or debris by hand may cause an injury, since the shear blades may move in reaction to removing them.

This tool has a reverse button to change the direction of shear blades movement. It is only for removing branches and debris entangled in the tool.

To reverse the shear blades movement, tap the reverse button when the shear blades have stopped, then press the switch lever and pull the switch trigger while pressing the lock-off lever. The power lamp starts blinking, and the shear blades move in reverse direction. When entangled branches and debris are removed, the tool returns to the regular movement and the power lamp stops blinking and lights up.

► **Fig.7:** 1. Reverse button

NOTE: If the entangled branches or debris cannot be removed, release and pull the switch trigger until they are removed.

NOTE: If you tap the reverse button while the shear blades are still moving, the tool comes to stop and to be ready for reverse movement.

ASSEMBLY

CAUTION: Always be sure that the tool is switched off and the battery cartridge is removed before carrying out any work on the tool.

CAUTION: When replacing the shear blades, always wear gloves so that your hands do not directly contact the blades.

NOTICE: When replacing the shear blades, do not wipe off grease from the gear and crank.

Installing or removing the shear blades

CAUTION: Attach the blade cover before removing or installing the shear blades.

You can install 500 mm, 600 mm, or 750 mm shear blades to your tool.

1. Place the tool upside down, and then remove 6 screws.
► **Fig.8:** 1. Screw

2. Remove the cover and the plate.
► **Fig.9:** 1. Cover 2. Plate

NOTE: The plate may remain on the cover.

3. Remove the rod.
► **Fig.10:** 1. Rod

NOTE: The rod may remain on the cover.

4. Remove 2 screws, the felt pad, the washers, and the sleeves, and then remove the shear blades.
► **Fig.11:** 1. Felt pad 2. Screw 3. Washer 4. Sleeve 5. Shear blades

5. Remove the blade cover.

6. Attach the blade cover to the new shear blades.

7. Adjust the crank so that 2 holes are lined up on the alignment line.
► **Fig.12:** 1. Hole 2. Alignment line

8. Align the protrusions on the shear blades vertically at the same position.
► **Fig.13:** 1. Protrusion

9. Attach the felt pad to the shear blades.

► **Fig.14:** 1. Felt pad

10. Insert the protrusion on the shear blades to the hole on the rod, then align the position of the felt pad with the holes on the tool, and then attach new sleeves and washers.

► **Fig.15:** 1. Protrusion 2. Hole 3. Felt pad 4. Washer 5. Sleeve

NOTICE: Apply a small amount of grease to the inner periphery of the hole of the rod.

NOTICE: Be careful not to lose the washers and the sleeves.

11. Align the holes on the shear blades with the holes on the tool, and then tighten 2 screws to fix the shear blades.

► **Fig.16:** 1. Screw 2. Hole

12. Attach the rod.

► **Fig.17:** 1. Rod 2. Small hole

NOTICE: Apply a small amount of grease to the inner periphery of the small hole of the rod.

NOTICE: Make sure that the protrusion on the shear blades fits in the small hole on the rod.

13. Attach the plate.

► **Fig.18:** 1. Protrusion 2. Plate

NOTICE: Make sure that the protrusion on the shear blades fits in the hole on the plate.

14. Attach the cover, and then tighten 6 screws.

► **Fig.19:** 1. Cover 2. Screw

NOTICE: Be sure to attach 2 long screws to the center holes.

NOTICE: If the shear blades do not move smoothly, the shear blades are not engaged with the rods properly. Install the shear blades again.

NOTICE: If the parts other than the shear blades such as the rods are worn out, ask Makita Authorized Service Centers for parts replacement or repairs.

Installing or removing the chip receiver

Optional accessory

CAUTION: When installing or removing the chip receiver, always wear gloves so that your hands do not directly contact the shear blades.

NOTICE: The blade cover cannot be installed if the chip receiver is installed on the tool. Before carrying or storing the tool, uninstall the chip receiver, and then install the blade cover to avoid blade exposure.

NOTICE: Be sure to remove the blade cover before installing the chip receiver.

The chip receiver gathers discarded leaves and makes clean-up afterward much easier. It can be installed on either side of the tool.

To install the chip receiver, align the hooks of the chip receiver with the arrow marks on the shear blades, and then press the chip receiver against the shear blades so that the hooks fit into the grooves on the shear blades.

► Fig.20: 1. Hook 2. Arrow mark

► Fig.21: 1. Hook

NOTICE: Make sure that the chip receiver does not overlap the tip guard.

► Fig.22: 1. Tip guard

To remove the chip receiver, press the levers on both sides to release the hooks.

► Fig.23: 1. Lever

NOTICE: Never try to remove the chip receiver by an excessive force with its hooks locked in the grooves of the shear blades.

OPERATION

⚠WARNING: Keep hands away from shear blades.

⚠CAUTION: Avoid operating the tool in very hot weather as much as practicable. When operating the tool, be careful of your physical condition.

⚠CAUTION: Be careful not to accidentally contact a metal fence or other hard objects while trimming. The shear blades may break and cause an injury.

⚠CAUTION: Be careful not to allow the shear blades to contact the ground. The tool may recoil and cause an injury.

⚠CAUTION: Overreaching with a hedge trimmer, particularly from a ladder, is extremely dangerous. Do not work while standing on anything wobbly or infirm.

NOTICE: Do not attempt to cut branches thicker than 10 mm in diameter with the tool. Cut branches to 10 cm lower than the cutting height using branch cutters before using the tool.

► Fig.24: (1) Cutting height (2) 10 cm

NOTICE: Do not cut down dead trees or similar hard objects. Doing so may damage the tool.

NOTICE: Do not trim the grass or weeds while using the shear blades. The shear blades may become tangled in the grass or weeds.

Hold the tool with both hands, press the switch lever and pull the switch trigger while pressing the lock-off lever, and then move it forward.

► Fig.25

For basic operation, tilt the shear blades toward the trimming direction and move it calmly and slowly at the speed rate of 3 to 4 seconds per meter.

► Fig.26

To cut a hedge top evenly, tie a string at the desired height and trim along it.

► Fig.27

If the chip receiver is attached to the shear blades, it gathers discarded leaves and makes clean-up afterward much easier.

► Fig.28

To cut a hedge side evenly, cut from the bottom to top.

► Fig.29

When trimming to make a round shape (trimming boxwood or rhododendron, etc.), trim from the root to the top for a beautiful finish.

► Fig.30

MAINTENANCE

⚠CAUTION: Always be sure that the tool is switched off and the battery cartridge is removed before attempting to perform inspection or maintenance.

To maintain product SAFETY and RELIABILITY, repairs, any other maintenance or adjustment should be performed by Makita Authorized or Factory Service Centers, always using Makita replacement parts.

Cleaning the tool

Clean the tool by wiping off dust with a dry cloth or one dipped in soapy water and wrung out.

NOTICE: Never use gasoline, benzine, thinner, alcohol or the like. Discoloration, deformation or cracks may result.

Shear blade maintenance

Before the operation or once per hour during operation, apply low-viscosity oil (machine oil, or spray-type lubricating oil) to the shear blades.

► Fig.31

After operation, remove dust from both sides of the shear blades with a wired brush, wipe it off with a cloth and then apply low-viscosity oil (machine oil, or spray-type lubricating oil) to the shear blades.

► Fig.32

NOTICE: Do not wash the shear blades in water. Doing so may cause rust or damage to the tool.

NOTICE: Dirt and corrosion cause excessive blade friction and shorten the operating time per battery charge.

Storage

The hook hole in the tool bottom is convenient for hanging the tool from a nail or screw on the wall.

Attach the blade cover to the shear blades so that the blades are not exposed. Store the tool out of the reach of children. Store the tool in a place not exposed to moisture or rain.

► **Fig.33:** 1. Hole

Grinding the shear blades

NOTICE: If the shear blades have considerably deformed by grinding, replace the shear blades with new ones.

1. Install the battery cartridge to the tool.
2. Turn on and start the tool so that the upper blade and lower blade are positioned alternately.
► **Fig.34**
3. Turn off the tool and remove the battery cartridge from the tool.
4. Remove the screw, and then remove the tip guard.
► **Fig.35:** 1. Screw 2. Tip guard
5. Set the angle of a file to 45°, and grind the upper blade from 3 directions with the file.
► **Fig.36:** (1) File (2) 45°

CAUTION: Before grinding the shear blades, make sure that the tool is switched off and the battery cartridge is removed from the tool.

6. Place the tool upside down, and then remove the burrs from the shear blades with the file.
► **Fig.37:** 1. File
7. Set the angle of the file to 45°, and grind the lower blade from 3 directions with the file.
8. Return the tool to normal position, and then remove the burrs from the shear blades with the file.
9. Attach the tip guard by tightening the screw.

Grease lubrication

Interval of lubrication: Every 100 operating hours

1. Remove 3 screws, and then remove the bottom cover.
► **Fig.38:** 1. Screw 2. Bottom cover
2. Remove the cap from the grease vessel, and then attach the grease vessel to the hole on the cover by turning the grease vessel.
► **Fig.39:** 1. Cover 2. Grease vessel
3. Apply the grease to the tool (Approximately 5 g as a guide).
4. Remove the grease vessel.
5. Attach the bottom cover, and then tighten 3 screws.

OPTIONAL ACCESSORIES

CAUTION: These accessories or attachments are recommended for use with your Makita tool specified in this manual. The use of any other accessories or attachments might present a risk of injury to persons. Only use accessory or attachment for its stated purpose.

If you need any assistance for more details regarding these accessories, ask your local Makita Service Center.

- Shear blade assembly
- Shear blade cover
- Chip receiver
- Grease vessel
- Makita genuine battery and charger

NOTE: Some items in the list may be included in the tool package as standard accessories. They may differ from country to country.

SPECIFIKATIONER

Modell:	DUH501	DUH601	DUH751
Bladets längd	500 mm	600 mm	750 mm
Slag per minut	0 - 4 400 min ⁻¹		
Total längd	1 016 mm	1 121 mm	1 261 mm
Märkspänning	18 V likström		
Nettovikt	3,8 - 4,5 kg		

Modell:	DUH502	DUH602	DUH752
Bladets längd	500 mm	600 mm	750 mm
Slag per minut	0 - 4 400 min ⁻¹		
Total längd	1 016 mm	1 121 mm	1 261 mm
Märkspänning	18 V likström		
Nettovikt	3,8 - 4,5 kg		

- På grund av vårt pågående program för forskning och utveckling kan dessa specifikationer ändras utan föregående meddelande.
- Specifikationerna kan variera mellan olika länder.
- Vikten kan variera beroende på tillbehören, inklusive batterikassett. Den lättaste och den tyngsta kombinationen enligt EPTA-procedur 01/2014 visas i tabellen.

Tillgänglig batterikassett

BL1815N / BL1820 / BL1820B / BL1830 / BL1830B / BL1840 / BL1840B / BL1850 / BL1850B / BL1860B

- Vissa av batterikassetterna på listan ovan kanske inte finns tillgängliga i din region.

⚠ VARNING: Använd endast batterikassetter från listan ovan. Användning av andra batterikassetter kan orsaka personskada och/eller brand.

Symboler

Följande visar symbolerna som används för utrustningen. Se till att du förstår innebörden innan du använder bormaskinen.



Läs igenom bruksanvisningen.



Utsätt inte verktyget för fukt.



Ni-MH
Li-ion

Gäller endast inom EU
Elektrisk utrustning eller batteripaket får inte kastas i hushållsavfallet!
Enligt EU-direktiven som avser förbrukad elektrisk och elektronisk utrustning, batterier, ackumulatörer, förbrukade batterier och ackumulatörer, samt direktivens tillämpning enligt nationell lagstiftning, ska uttjänt elektrisk utrustning, batterier och batteripaket sorteras separat och lämnas till miljövänlig återvinning.

Avsedd användning

Maskinen är avsedd för att trimma häckar.

Buller

Tillämplig standard : EN60745-2-15

Modell	Ljudtrycksnivå		Ljudeffektnivå	
	L _{PA} (dB (A))	Osäkerhets-K (dB (A))	L _{PA} (dB (A))	Osäkerhets-K (dB (A))
DUH501	84	3	97	3
DUH601	82	3	95	3
DUH751	84	3	97	3
DUH502	81,3	3	86,8	3
DUH602	82,1	3	87,4	3
DUH752	80,5	3	87,8	3

OBS: Det deklarerade bullervärdet har uppmätts i enlighet med standardtestmetoden och kan användas för jämförandet av en maskin med en annan.

OBS: Det deklarerade bulleremissionsvärdet kan också användas i en preliminär bedömning av exponering för vibration.

⚠ VARNING: Använd hörselskydd.

⚠ VARNING: Bulleremissionen under faktisk användning av maskinen kan skilja sig från det deklarerade värdet, beroende på hur maskinen används och särskilt vilken typ av arbetsstycke som behandlas.

⚠ VARNING: Var noga med att identifiera säkerhetsåtgärder för att skydda användaren, vilka är grundade på en uppskattning av graden av exponering för vibrationer under de faktiska användningsförhållandena, (ta, förutom avtryckartiden, med alla delar av användarcykeln i beräkningen, som till exempel tiden då maskinen är avstängd och när den går på tomgång).

Vibration

Det totala vibrationsvärdet (treaxlad vektorsumma) bestämt enligt EN60745-2-15:

Model DUH501

Vibrationsemission (a_{rh}): 2,5 m/s²

Måttolerans (K): 1,5 m/s²

Model DUH601

Vibrationsemission (a_{rh}): 2,5 m/s² eller lägre

Måttolerans (K): 1,5 m/s²

Model DUH751

Vibrationsemission (a_{rh}): 2,5 m/s²

Måttolerans (K): 1,5 m/s²

Modell DUH502

Vibrationsemission (a_{rh}): 2,5 m/s²

Måttolerans (K): 1,5 m/s²

Modell DUH602

Vibrationsemission (a_{rh}): 2,5 m/s² eller lägre

Måttolerans (K): 1,5 m/s²

Modell DUH752

Vibrationsemission (a_{rh}): 2,5 m/s² eller lägre

Måttolerans (K): 1,5 m/s²

OBS: Det deklarerade totala vibrationsvärdet har uppmätts i enlighet med standardtestmetoden och kan användas för jämförandet av en maskin med en annan.

OBS: Det deklarerade totala vibrationsvärdet kan också användas i en preliminär bedömning av exponering för vibration.

⚠ VARNING: Vibrationsemissionen under faktisk användning av maskinen kan skilja sig från det deklarerade värdet, beroende på hur maskinen används och särskilt vilken typ av arbetsstycke som behandlas.

⚠ VARNING: Var noga med att identifiera säkerhetsåtgärder för att skydda användaren, vilka är grundade på en uppskattning av graden av exponering för vibrationer under de faktiska användningsförhållandena, (ta, förutom avtryckartiden, med alla delar av användarcykeln i beräkningen, som till exempel tiden då maskinen är avstängd och när den går på tomgång).

EG-försäkran om överensstämmelse

Gäller endast inom EU

EG-försäkran om överensstämmelse inkluderas som bilaga A till denna bruksanvisning.

SÄKERHETSVARNINGAR

Allmänna säkerhetsvarningar för maskiner

⚠ VARNING: Läs alla säkerhetsvarningar, anvisningar, illustrationer och specifikationer som medföljer det här maskinen. Underlåtenhet att följa instruktionerna kan leda till elstötar, brand och/eller allvarliga personskadorna.

Spara alla varningar och instruktioner för framtida referens.

Termen "maskin" som anges i varningarna hänvisar till din eldrivna maskin (sladdansluten) eller batteridrivna maskin (sladdlös).

Säkerhetsvarningar för batteridrivna häcksax

- Håll kroppen borta från skärbladet. Ta inte bort avklippt material eller håll inte i material som ska klippas av när bladen är i rörelse. Kontrollera att avtryckaren är avstängd när material som har fastnat ska tas bort. Ett ögonblick av uppmärksamhet när häcksaxen är igång kan resultera i allvarlig personskada.**
- Bär häcksaxen i handtaget när skärbladet stannat helt. När häcksaxen transporteras eller förvaras ska alltid skyddet för skärbladen sitta på. Korrekt hantering av häcksaxen minskar risken för personskadorna från skärbladen.**
- Håll endast i maskinens isolerade greppytter eftersom skärbladet kan komma i kontakt med dolda kablar. Om skärbladet kommer i kontakt med en strömförande ledning blir dess metalldelar strömförande och kan ge operatören en elektrisk stöt.**
- FARA - Håll händerna borta från klingan. Kontakt med klingan kommer att leda till allvarlig personskada.**
- Använd inte häcksaxen i regn eller under våta eller fuktiga förhållanden. Den elektriska motorn är inte vattentät.**
- Förstagångsanvändare bör låta en erfaren användare av häcksaxen visa hur maskinen ska användas.**
- Häcksaxen får inte användas av barn eller ungdomar under 18 år. Undantag kan göras för ungdomar över 16 år som har fått utbildning och träning av en kunnig person.**

8. Använd endast häcksaxen när du är i god fysisk kondition. Om du är trött blir du ouppmärksam. Var speciellt försiktig vid arbetsdagens slut. Utför allt arbete noggrant och i lugnt tempo. Användaren är ansvarig för all skada på tredje person.
9. Använd aldrig häcksaxen om du är påverkad av alkohol, droger eller läkemedel.
10. Arbetshandskar av kraftigt läder är en del av grundutrustningen för häcksaxen och måste alltid bäras när maskinen används. Använd också kraftiga skor med halksäkra sulor.
11. Kontrollera innan arbetet inleds att häcksaxen är i gott och säkert skick. Säkerställ att skydden sitter fast ordentligt. Häcksaxen får inte användas om den inte är fullständigt monterad.
12. Se till att du står stadigt innan du börjar använda maskinen.
13. Håll ett stadigt tag i maskinen när du arbetar.
14. Använd inte maskinen obelastad i onödan.
15. Stäng genast av motorn och ta bort batterikassetten om skärbladet skulle komma i kontakt med ett stängsel eller annat hårt objekt. Kontrollera om bladet är skadat och reparera det omedelbart om så är fallet.
16. Stäng alltid av häcksaxen och ta bort batterikassetten innan bladet kontrolleras, innan material tas bort som har fastnat i bladet eller om något fel ska åtgärdas.
17. Stäng av häcksaxen och ta bort batterikassetten innan du utför något underhållsarbete.
18. När häcksaxen ska flyttas till en annan plats, även under pågående arbete, ska batterikassetten alltid tas bort och bladskyddet fästas på skärbladen. Bär aldrig och transportera aldrig häcksaxen medan bladet löper. Ta aldrig i bladet med händerna.
19. Rengör häcksaxen och speciellt bladet efter användning och innan häcksaxen förvaras för en längre period. Smörj bladet lätt med olja och trä på skyddet. Skyddet som medföljer enheten kan hängas på väggen vilket ger en säker och praktisk förvaring för häcksaxen.
20. Förvara häcksaxen med skyddet på och i ett torrt utrymme. Håll den borta från barn. Förvara aldrig häcksaxen utomhus.
21. Rikta aldrig skärbladen mot dig själv eller någon annan.
22. Om klingorna slutar att röra sig på grund av att främmande föremål fastnar mellan klingorna under arbetet, stänger du av verktyget och tar bort batterikassetten. Ta sedan bort de främmande föremålen med hjälp av ett verktyg, såsom en tång. Att ta bort de främmande föremålen för hand kan orsaka skador på grund av att klingorna kan röra sig som en reaktion på att de främmande föremålen tas bort.
23. Undvik farliga miljöer. Använd inte maskinen på fuktiga eller blöta platser, och utsätt den heller inte för regn. Vatten som kommer in i maskinen ökar risken för elektriska stötar.
24. Släng inte batteriet/batterier in i öppen eld. Cellen kan i annat fall explodera. Kontrollera om några speciella lokala föreskrifter föreligger avseende avfallshantering.
25. Öppna inte eller skada/deformera/punktera batteriet/batterierna. Elektrolyten som kommer ut är frätande och kan ge ögon- eller hudskador. Den kan vara giftig vid intag.
26. Ladda inte batteriet i regn eller i fuktiga eller våta utrymmen.

27. Kontrollera häcksaxen och buskarna avseende främmande föremål, som staket eller dolda kablar innan du använder maskinen.

SPARA DESSA ANVISNINGAR.

⚠ VARNING: GLÖM INTE att också fortsättningsvis strikt följa säkerhetsanvisningarna för maskinen även efter att du blivit van att använda den. Vid **FELAKTIG HANTERING** av maskinen eller om inte säkerhetsanvisningarna i denna bruksanvisning följs kan följden bli allvarliga personskador.

Viktiga säkerhetsanvisningar för batterikassetten

1. Innan batterikassetten används ska alla instruktioner och varningsmärken på (1) batteriladdaren, (2) batteriet och (3) produkten läsas.
2. Montera inte isär batterikassetten.
3. Om drifttiden blivit avsevärt kortare ska användningen avbrytas omedelbart. Det kan uppstå överhettning, brännskador och t o m en explosion.
4. Om du får elektrolyt i ögonen ska de sköljas med rent vatten och läkare uppsökas omedelbart. Det finns risk för att synen förloras.
5. Kortslut inte batterikassetten.
 - (1) Rör inte vid polerna med något strömförande material.
 - (2) Undvik att förvara batterikassetten tillsammans med andra metallobjekt som t.ex. spikar, mynt o.s.v.
 - (3) Skydda batteriet mot vatten och regn. En batterikortslutning kan orsaka ett stort strömflöde, överhettning, brand och maskinhavari.
6. Förvara inte maskinen och batterikassetten på platser där temperaturen kan nå eller överstiga 50 °C.
7. Bränn inte upp batterikassetten även om den är svårt skadad eller helt utsliten. Batterikassetten kan explodera i öppen eld.
8. Var försiktig så att du inte råkar tappa batteriet och utsätt det inte för stötar.
9. Använd inte ett skadat batteri.
10. De medföljande litiumjonbatterierna är föremål för kraven i gällande lagstiftning för farligt gods. För kommersiella transporter (av t.ex. tredje parter som speditorsfirmor) måste de särskilda transportkrav som anges på emballaget och etiketter iakttas. För att förbereda den produkt som ska avsendas krävs att du konsulterar en expert på riskmaterial. Var också uppmärksam på att det i ditt land kan finnas ytterligare föreskrifter att följa. Tejpa över eller maskera blottade kontakter och packa batteriet på sådant sätt att det inte kan röra sig fritt i förpackningen.
11. Följ lokala föreskrifter beträffande avfallshantering av batteriet.
12. Använd endast batterierna med de produkter som specificerats av Makita. Att använda batterierna med ej godkända produkter kan leda till brand, överdriven värme, explosion eller utläckande elektrolyt.

SPARA DESSA ANVISNINGAR.

⚠ FÖRSIKTIGT: Använda endast äkta Makita-batterier. Användning av oäkta Makita-batterier eller batterier som har manipulerats kan leda till person- och utrustningsskador eller till att batteriet fattar eld. Det upphäver också Makitas garanti för verktyget och laddaren.

Tips för att uppnå batteriets maximala livslängd

1. Ladda batterikassetten innan den är helt urladdad. Stanna alltid maskinen och ladda batterikassetten när du märker att maskinen blir svagare.
2. Ladda aldrig en fulladdad batterikassetten. Överladdning förkortar batteriets livslängd.
3. Ladda batterikassetten vid en rumstemperatur på 10 °C - 40 °C. Låt en varm batterikassetten svalna innan den laddas.
4. Ladda batterikassetten om du inte har använt den på länge (mer än sex månader).

FUNKTIONSBESKRIVNING

⚠ FÖRSIKTIGT: Se alltid till att maskinen är avstängd och batterikassetten borttagen innan du justerar maskinen eller kontrollerar dess funktioner.

Montera eller demontera batterikassetten

⚠ FÖRSIKTIGT: Stäng alltid av maskinen innan du monterar eller tar bort batterikassetten.

⚠ FÖRSIKTIGT: Håll stadigt i maskinen och batterikassetten när du monterar eller tar bort batterikassetten. I annat fall kan det leda till att de glider ur dina händer och orsakar skada på maskinen och batterikassetten samt personskada.

► Fig.1: 1. Röd indikator 2. Knapp 3. Batterikassetten

Ta bort batterikassetten genom att skjuta ner knappen på kassetten framsida samtidigt som du drar ut batterikassetten.

Sätt i batterikassetten genom att rikta in tungan på batterikassetten mot spåret i höljet och skjut den på plats. Tryck in batterikassetten ordentligt tills den låser fast med ett klick. Om du kan se den röda indikatorn på knappens ovansida är den inte låst ordentligt.

⚠ FÖRSIKTIGT: Sätt alltid i batterikassetten helt tills den röda indikatorn inte längre syns. I annat fall kan den oväntat falla ur maskinen och skada dig eller någon annan.

⚠ FÖRSIKTIGT: Montera inte batterikassetten med våld. Om kassetten inte lätt glider på plats är den felinsatt.

Indikatorer kvarvarande batterikapacitet

Endast för batterikassetter med indikator

► Fig.2: 1. Indikatorlampor 2. Kontrollknapp

Tryck på kontrollknappen på batterikassetten för att se kvarvarande batterikapacitet. Indikatorlamporna lyser i ett par sekunder.

Indikatorlampor			Kvarvarande kapacitet
Upplyst	Av	Blinkar	
■ ■ ■ ■			75% till 100%
■ ■ ■ □			50% till 75%
■ ■ □ □			25% till 50%
■ □ □ □			0% till 25%
■ □ □ □	□ □ □ □		Ladda batteriet.
■ ■ □ □	□ □ □ □	□ □ □ □	Batteriet kan ha skadats.


OBS: Beroende på användningsförhållanden och den omgivande temperaturen kan indikationen skilja sig lätt från den faktiska batterikapaciteten.

Skyddssystem för maskinen/ batteriet

Verktyget är utrustat med ett skyddssystem för verktyget/batteriet. Detta system bryter automatiskt strömmen till motorn för att förlänga verktygets och batteriets livslängd. Verktyget stoppar automatiskt under användningen om verktyget eller batteriet hamnar i en av följande situationer:


Status	Indikatorlampor		
	■ På	□ Av	■ Blinkar
Överbelastning		☞ □	☞ ■
Överhettning	☞ ■	☞ □	☞ ■
Överurladdning		☞ □	☞ ■

Överbelastningskydd

Om maskinen överbelastas genom kvistar eller skräp som fastnat,  och den mittersta indikeringen börjar blinka, stannar maskinen automatiskt. Om detta händer stänger du av maskinen och upphör med arbetet som gjorde att maskinen överbelastades. Starta därefter upp maskinen igen.

OBSERVERA: Beroende på användningsförhållandena stängs maskinen automatiskt av utan någon angivelse om den överbelastas genom kvistar eller skräp som fastnat. Stäng i så fall av maskinen och ta bort batterikassetten, och ta sedan bort kvistar eller skräp som fastnat med verktyg som t.ex. en tång. Efter att kvistarna eller skräpet tagits bort installerar du batterikassetten och sätter på maskinen igen.

Överhettningsskydd för maskin/batteri

Det finns två sorters överhettning; maskinöverhettning och batteriöverhettning. När maskinöverhettning sker blinkar alla hastighetsindikatorer. När batteriöverhettning sker blinkar  indikatorn.

Om överhettning sker stannar maskinen automatiskt. Låt maskinen och/eller batteriet svalna innan du startar den igen.

Överurladdningsskydd

När batteriets kapacitet är låg stoppar maskinen automatiskt och indikatorn  blinkar. Om maskinen inte fungerar trots att knapparna fungerar som de ska tar du bort batteriet från maskinen och laddar det.

Vinkelinställning för handtaget

⚠ FÖRSIKTIGT: Kontrollera alltid att handtaget är spärrat i sitt läge innan du startar maskinen.

⚠ FÖRSIKTIGT: Dra inte ner spaken för att låsa upp handtaget samtidigt som du trycker in avtryckaren. Tryck inte in avtryckaren samtidigt som du drar ner spaken och vrider handtaget. Det kan orsaka funktionsfel på maskinen.

Du kan ställa in handtagets vinkel på 0°, 45° eller 90° åt vänster eller höger. För att ändra handtagets vinkel vrider du handtaget samtidigt som du drar ner spaken, och släpper sedan spaken.

► **Fig.3:** 1. Spak

Säkerhetsgreppfunktion

⚠ VARNING: Denna maskin är utrustad med en säkerhetsspak som förhindrar oavsiktlig start. Använd ALDRIG maskinen om den startar när du trycker på säkerhetsgreppet och trycker på avtryckaren utan att ha tryckt in säkerhetsspaken. Returnera maskinen till ett auktoriserat servicecenter för reparation INNAN du fortsätter att använda den.

⚠ VARNING: Sätt ALDRIG säkerhetsspärren ur funktion genom att t.ex. tejpa över den.

⚠ VARNING: Innan du sätter i batterikassetten i maskinen ska du alltid kontrollera att avtryckaren och säkerhetsgreppet fungerar och återgår till läget "OFF" när du släpper dem. Att använda en maskin med ett felaktigt säkerhetsgrepp kan leda till förlorad kontroll och allvarig personskada.

⚠ FÖRSIKTIGT: Håll aldrig fingret på avtryckaren när du bär maskinen. Maskinen kan starta oavsiktligt och orsaka skada.

OBSERVERA: Tryck inte in avtryckaren utan att ha tryckt in säkerhetsspärren. Det kan skada avtryckaren.

Tryck och håll in strömbrytaren för att starta maskinen. Strömlampan tänds när maskinen sätts på. Om du vill stänga av maskinen, tryck och håll in strömbrytaren igen. Strömlampan slocknar när maskinen stängs av.
► **Fig.4:** 1. Strömlampa 2. Strömbrytare

OBS: Maskinen stängs av automatiskt om den inte används under en viss tid.

Säkerhetsspakens funktion är att förhindra att avtryckaren oavsiktligt trycks in. Starta maskinen genom att först trycka ut säkerhetsspaken och sedan trycka på säkerhetsgreppet och sedan avtryckaren. Hastigheten ökar genom att du trycker hårdare på avtryckaren. Släpp avtryckaren för att stoppa maskinen.




► **Fig.5:** 1. Säkerhetsgrepp 2. Säkerhetsspak 3. Avtryckare

Hastighetsinställning

Du kan ställa in maskinhastigheten genom att trycka lätt på strömbrytaren.

Varje gång du klickar på strömbrytaren ändras hastighetsnivån.

► **Fig.6:** 1. Strömlampa 2. Strömbrytare

Indikator	Läge	Slaghastighet
	Hög	4 400 min ⁻¹
	Medel	3 600 min ⁻¹
	Låg	2 000 min ⁻¹

Reverseringsknapp för borttagning av skräp

⚠ VARNING: Om kvistarna eller skräpet som fastnat inte kan tas bort med reverseringsfunktionen, ska du stänga av maskinen och ta bort batterikassetten, och ta sedan bort kvistarna eller skräpet som fastnat med verktyg som t.ex. en tång. Om du inte stänger av maskinen och tar bort batterikassetten kan maskinen oavsiktligt starta, vilket kan leda till allvarig personskada. Att ta bort kvistarna eller skräpet som fastnat för hand kan orsaka skada, eftersom skärbladen kan reagera med att röra sig när de tas bort.

Denna maskin har en reverseringsknapp som ändrar skärbladens rörelseriktning. Den är endast till för borttagning av kvistar och skräp som fastnat i maskinen. För att reversera skärbladens rörelse trycker du på reverseringsknappen när skärbladen har stannat, sedan trycker du på säkerhetsgreppet och trycker på avtryckaren samtidigt som du trycker på säkerhetsspaken. Strömlampan börjar blinka och skärbladen rör sig i omvänd riktning.

När kvistar och skräp som fastnat tas bort, återgår maskinen till vanlig rörelse och strömlampan slutar blinka och tänds som vanligt.

► **Fig.7:** 1. Reverseringsknapp

OBS: Om kvistarna och skräpet som fastnat inte går att få bort, släpper du och trycker på avtryckaren tills de är borta.

OBS: Om du trycker lätt på reverseringsknappen medan skärbladen fortfarande rör sig, stannar maskinen och är sedan klar att röra sig i den andra riktningen.

MONTERING

⚠FÖRSIKTIGT: Se alltid till att maskinen är avstängd och batterikassetten borttagen innan du underhåller maskinen.

⚠FÖRSIKTIGT: Bär alltid handskar så att händerna inte kommer i direktkontakt med skärbladen när du byter dem.

OBSERVERA: Torka inte av smörjfett från växel och vevhus vid byte av skärblad.

Montering eller borttagning av skärbladen

⚠FÖRSIKTIGT: Sätt på bladskyddet innan skärbladen monteras eller demonteras.

Du kan installera skärblad på 500 mm, 600 mm eller 750 mm på din maskin.

1. Placera maskinen upp och ner och ta sedan bort 6 skruvar.

► **Fig.8:** 1. Skruv

2. Ta bort höljet och plattan.

► **Fig.9:** 1. Hölje 2. Platta

OBS: Plåten kan sitta kvar på höljet.

3. Ta bort stängan.

► **Fig.10:** 1. Stång

OBS: Stängan kan sitta kvar på höljet.

4. Ta bort 2 skruvar, polerfilten, brickorna och hylsorna och ta sedan bort skärbladen.

► **Fig.11:** 1. Polerfilt 2. Skruv 3. Bricka 4. Hylsa 5. Skärblad

5. Ta bort bladhöljet.

6. Montera bladhöljet på de nya skärbladen.

7. Justera vevhuset så att de 2 hålen ligger i linje på grundlinjen.

► **Fig.12:** 1. Hål 2. Grundlinje

8. Rikta in de utskjutande delarna på skärbladen vertikalt vid samma position.

► **Fig.13:** 1. Utskjutande del

9. Montera polerfilten på skärbladen.

► **Fig.14:** 1. Polerfilt

10. För in den utskjutande delen på skärbladen mot hålet på stängan, passa sedan in polerfiltens position med hålen på maskinen och fäst sedan nya hylsor och brickor.

► **Fig.15:** 1. Utskjutande del 2. Hål 3. Polerfilt 4. Bricka 5. Hylsa

OBSERVERA: Lägg på en liten mängd fett runt den inre kanten på hålet på stängan.

OBSERVERA: Var noga med att inte tappa bort brickor och hylsor.

11. Passa in hålen på skärbladen med hålen på maskinen, och dra sedan åt 2 skruvar för att fästa skärbladen.

► **Fig.16:** 1. Skruv 2. Hål

12. Sätt fast stängan.

► **Fig.17:** 1. Stång 2. Litet hål

OBSERVERA: Lägg på en liten mängd fett runt den inre kanten på det lilla hålet på stängan.

OBSERVERA: Se till att den utskjutande delen på skärbladen passar i det lilla hålet på stängan.

13. Fäst plattan.

► **Fig.18:** 1. Utskjutande del 2. Platta

OBSERVERA: Se till att den utskjutande delen på skärbladen passar i hålet på plattan.

14. Sätt fast höljet och dra sedan åt 6 skruvar.

► **Fig.19:** 1. Hölje 2. Skruv

OBSERVERA: Se till att fästa 2 långa skruvar i centerhålen.

OBSERVERA: Om skärbladen inte rör sig utan problem sitter skärbladen inte ordentligt i stängerna. Montera skärbladen igen.

OBSERVERA: Om andra delar än skärblad slits ut (t.ex. stängerna), kontakta Makitas auktoriserade servicecenter för utbytesdelar eller reparation.

Montera eller demontera flisuppsamlare

Extra tillbehör

⚠FÖRSIKTIGT: Bär alltid handskar så att händerna inte kommer i direktkontakt med skärbladen när du installerar eller tar bort flisuppsamlaren.

OBSERVERA: Bladhöjlet kan inte installeras om flisuppsamlaren är installerad på maskinen. Innan du bär eller förvarar maskinen ska flisuppsamlaren demonteras och därefter ska bladskyddet monteras för att undvika kontakt med bladet.

OBSERVERA: Se till att ta bort bladskyddet innan du monterar flisuppsamlaren.

Flisuppsamlaren samlar upp löv och dylikt och gör det lättare att städa upp efter avslutat arbete. Den kan monteras på valfri sida av maskinen.

För att installera flisuppsamlaren passar du in krokarna på flisuppsamlaren med pilmärkena på skärbladen, och trycker sedan flisuppsamlaren mot skärbladen så att krokarna passar in i skårorna på skärbladen.

► Fig.20: 1. Krok 2. Pil

► Fig.21: 1. Krok

OBSERVERA: Se till att flisuppsamlaren inte går ut över spetskyddet.

► Fig.22: 1. Spetskydd

För att ta bort flisuppsamlaren trycker man på spakarna på båda sidorna för att lossa krokarna.

► Fig.23: 1. Spak

OBSERVERA: Försök aldrig att demontera flisuppsamlaren genom att trycka på den kraftigt när dess krokar är låsta i skårorna på skärbladen.

ANVÄNDNING

⚠ VARNING: Håll händerna borta från skärbladen.

⚠ FÖRSIKTIGT: Undvik i mesta möjliga mån att använda maskinen i brännande solsen. Var rädd om dig när du använder maskinen.

⚠ FÖRSIKTIGT: Var försiktig så att du inte kommer i kontakt med ett metallstängsel eller andra hårda objekt under trimningen. Skärbladen kan gå av och orsaka skada.

⚠ FÖRSIKTIGT: Se till att skärbladen inte kommer i kontakt med marken. Maskinen kan då skjuta iväg stenar och dylikt och orsaka skador.

⚠ FÖRSIKTIGT: Att sträcka sig för långt med en häcksax, särskilt från en stega, är extremt farligt. Arbeta inte när du står på ett underlag som inte är fast eller stabilt.

OBSERVERA: Försök inte att klippa av grenar som är tjockare än 10 mm i diameter med maskinen. Klipp stora grenar till 10 cm lägre än klipphöjden med en grensax innan du använder denna maskin.

► Fig.24: (1) Klipphöjd (2) 10 cm

OBSERVERA: Klipp inte ner döda träd eller liknande hårda föremål. Det kan skada maskinen.

OBSERVERA: Trimma inte gräs eller ogräs med skärbladen. Skärbladen kan trassla in sig i gräset eller ogräset.

Håll maskinen med båda händerna, tryck på säkerhetsgreppet och tryck in avtryckaren samtidigt som du trycker på säkerhetsspaken, och dra den sedan framåt.
► Fig.25

För grundläggande användning, luta skärbladen i trimningsriktningen och flytta maskinen lugnt och långsamt med en hastighet på 3 till 4 sekunder per meter.

► Fig.26

För att klippa övre delen av häcken jämnt kan du binda ett snöre vid önskad höjd och trimma längs med det.

► Fig.27

Om flisuppsamlaren fästs i skärbladen samlar den upp bortklippa löv och gör det lättare att städa upp efter avslutat arbete.

► Fig.28

Klipp underifrån och uppåt för att klippa en häcksida rakt.

► Fig.29

För att trimma något i en rund form (t.ex. buxbom eller rhododendron) trimma från rötterna och uppåt för ett vackert resultat.

► Fig.30

UNDERHÅLL

⚠ FÖRSIKTIGT: Se alltid till att maskinen är avstängd och batterikassetten borttagen innan inspektion eller underhåll utförs.

För att upprätthålla produktens SÄKERHET och TILLFÖRLITLIGHET bör allt underhålls- och justeringsarbete utföras av ett auktoriserat Makita servicecenter och med reservdelar från Makita.

Rengöra maskinen

Rengör maskinen genom att torka av damm med en torr trasa, eller en urvriden trasa fuktad med såpvatten.

OBSERVERA: Använd inte bensin, förtunningsmedel, alkohol eller liknande. Missfärgning, deformation eller sprickor kan uppstå.

Underhåll av skärblad

Innan användning eller en gång i timmen under användning bör skärbladen smörjas med lågviskositetsolja (maskinolja eller smörjolja i sprayform).

► Fig.31

Avlägsna efter användning damm från båda sidorna av skärbladen med en trådborste. Torka av med en trasa och smörj sedan skärbladen med lågviskositetsolja (maskinolja eller smörjolja i sprayform).

► Fig.32

OBSERVERA: Tvätta inte skärbladen i vatten. Det kan göra att maskinen rostar eller skadas.

OBSERVERA: Smuts och rost orsakar förhöjd friktion i skärbladet och förkortar användningstiden per batteriladdning.

Förvaring

Krokhålet som finns i maskinens botten är praktiskt för att hänga upp maskinen på en spik eller skruv i väggen. Sätt på bladskyddet på skärbladen så att bladen inte exponeras och riskerar att skadas. Förvara maskinen utom räckhåll för barn. Förvara maskinen på en plats som inte utsätts för fukt eller regn.

► **Fig.33:** 1. Hål

Slipa skärbladen

OBSERVERA: Om skärbladen avsevärt har deformerats vid slipningen ska skärbladen bytas mot nya.

1. Installera batterikassetten på maskinen.
2. Sätt på och starta maskinen så att det övre och undre bladet placeras omväxlande.

► **Fig.34**

3. Stäng av maskinen och ta bort batterikassetten från maskinen.

4. Ta bort skruven och ta sedan bort spetskyddet.

► **Fig.35:** 1. Skruv 2. Spetskydd

5. Ställ in vinkeln för en fil till 45°, och slipa det övre bladet från 3 riktningar med filen.

► **Fig.36:** (1) Fil (2) 45°

⚠FÖRSIKTIGT: Innan skärbladen slipas, se till att maskinen är avstängd och att batterikassetten är urtagen.

6. Placera maskinen upp och ner och ta sedan bort skägget från skärbladen med filen.

► **Fig.37:** 1. Fil

7. Ställ in filens vinkel på 45°, och slipa det undre bladet från 3 riktningar med filen.

8. Återställ maskinen till normal position, och ta sedan bort skägget från skärbladen med filen.

9. Fäst spetskyddet genom att dra åt skruven.

Fettsmörjning

Smörjningsintervall: Var 100:e driftstimme

1. Ta bort 3 skruvar och ta sedan bort det nedre höljet.

► **Fig.38:** 1. Skruv 2. Nedre hölje

2. Ta bort locket från fettkärlet och fäst sedan fettkärlet vid hålet på höljet genom att vrida på fettkärlet.

► **Fig.39:** 1. Hölje 2. Fettkärl

3. Lägg på fett på maskinen (ca 5 g är riktmärket).

4. Ta bort fettkärlet.

5. Sätt fast det nedre höljet och dra sedan åt 3 skruvar.

VALFRIA TILLBEHÖR

⚠FÖRSIKTIGT: Följande tillbehör eller tillsatser rekommenderas för användning med den Makita-maskin som denna bruksanvisning avser.

Om andra tillbehör eller tillsatser används kan det uppstå risk för personskador. Använd endast tillbehören eller tillsatserna för de syften de är avsedda för.

Kontakta ditt lokala Makita servicecenter om du behöver ytterligare information om dessa tillbehör.

- Skärbladstillsats
- Skydd för skärblad
- Flisuppsamlare
- Fettkärl
- Makitas originalbatteri och laddare

OBS: Några av tillbehören i listan kan vara inkluderade i maskinpaketet som standardtillbehör. De kan variera mellan olika länder.

TEKNISKE DATA

Modell:	DUH501	DUH601	DUH751
Bladlengde	500 mm	600 mm	750 mm
Slag per minutt	0 - 4 400 min ⁻¹		
Total lengde	1 016 mm	1 121 mm	1 261 mm
Merkespennning	DC 18 V		
Nettovekt	3,8 - 4,5 kg		

Modell:	DUH502	DUH602	DUH752
Bladlengde	500 mm	600 mm	750 mm
Slag per minutt	0 - 4 400 min ⁻¹		
Total lengde	1 016 mm	1 121 mm	1 261 mm
Nominell spenning	DC 18 V		
Nettovekt	3,8 - 4,5 kg		

- På grunn av vårt kontinuerlige forsknings- og utviklingsprogram kan spesifikasjonene som oppgis i dette dokumentet endres uten varsel.
- Spesifikasjonene kan variere fra land til land.
- Vekten kan variere avhengig av tilbehøret/tilbehørene, inkludert batteriet. Den letteste og tyngste kombinasjonen, i henhold til EPTA-prosedyre 01/2014, vises i tabellen.

Standard batteri

BL1815N / BL1820 / BL1820B / BL1830 / BL1830B / BL1840 / BL1840B / BL1850 / BL1850B / BL1860B

- Noen av batteriene som er opplistet ovenfor er kanskje ikke tilgjengelige, avhengig av hvor du bor.

⚠ ADVARSEL: Bruk kun de batteriene som er opplistet ovenfor. Bruk av andre batterier kan føre til personskader og/eller brann.

Symboler

Nedenfor ser du symbolene som brukes for dette utstyret. Forviss deg om at du forstår hva de betyr, før du begynner å bruke maskinen.



Les bruksanvisningen.



Må ikke utsettes for fuktighet.



Ni-MH
Li-ion

Kun for EU-land

Kast aldri elektroutstyr eller batteripakker i husholdningsavfallet!

I henhold til EU-direktivene om kasserte elektriske og elektroniske produkter, og om batterier og akkumulatører og brukte batterier og akkumulatører og direktivenes iverksettning i nasjonal rett, må elektriske produkter og batterier og batteripakker som ikke lenger skal brukes, samles separat og returneres til et miljøvennlig gjenvinningsanlegg.

Riktig bruk

Dette verktøyet er kun beregnet på å klippe hekker.

Støy

Gjeldende standard : EN60745-2-15

Modell	Lydtrykknivå		Lydeffektnivå	
	L _{PA} (dB (A))	Usikkerhet K (dB (A))	L _{PA} (dB (A))	Usikkerhet K (dB (A))
DUH501	84	3	97	3
DUH601	82	3	95	3
DUH751	84	3	97	3
DUH502	81,3	3	86,8	3
DUH602	82,1	3	87,4	3
DUH752	80,5	3	87,8	3

MERK: Den/de oppgitte verdien(e) for genererte vibrasjoner har blitt målt i henhold til standard testmetoder, og kan bli brukt til å sammenligne ett verktøy med et annet.

MERK: Den/de angitte verdien(e) for de genererte vibrasjonene kan også brukes til en foreløpig vurdering av eksponeringen.

⚠ ADVARSEL: Bruk hørselsvern.

⚠ ADVARSEL: De genererte vibrasjonene ved faktisk bruk av elektroverktøyet kan avvike fra den/de angitte vibrasjonsverdien(e), avhengig av hvordan verktøyet brukes.

⚠ ADVARSEL: Sørg for å identifisere vernetiltak for å beskytte operatøren, som er basert på et estimat av eksponeringen under de faktiske bruksforholdene (idet det tas hensyn til alle deler av driftssyklusen, dvs. hvor lenge verktøyet er slått av, hvor lenge det går på tomgang og hvor lenge startbryteren faktisk holdes trykket).

Vibrasjoner

Den totale vibrasjonsverdien (triaksial vektorsum) bestemt i henhold EN60745-2-15:

Modell DUH501

Genererte vibrasjoner (a_h): 2,5 m/s²

Usikkerhet (K): 1,5 m/s²

Modell DUH601

Genererte vibrasjoner (a_h): 2,5 m/s² eller mindre

Usikkerhet (K): 1,5 m/s²

Modell DUH751

Genererte vibrasjoner (a_h): 2,5 m/s²

Usikkerhet (K): 1,5 m/s²

Modell DUH502

Genererte vibrasjoner (a_h): 2,5 m/s²

Usikkerhet (K): 1,5 m/s²

Modell DUH602

Genererte vibrasjoner (a_h): 2,5 m/s² eller mindre

Usikkerhet (K): 1,5 m/s²

Modell DUH752

Genererte vibrasjoner (a_h): 2,5 m/s² eller mindre

Usikkerhet (K): 1,5 m/s²

MERK: Den/de oppgitte verdien(e) for totalt genererte vibrasjoner har blitt målt i henhold til standard testmetoder, og kan bli brukt til å sammenligne ett verktøy med et annet.

MERK: Den/de angitte verdien(e) for totalt genererte vibrasjoner kan også brukes til en foreløpig vurdering av eksponeringen.

⚠ ADVARSEL: De genererte vibrasjonene ved faktisk bruk av elektroverktøyet kan avvike fra den/de angitte vibrasjonsverdien(e), avhengig av hvordan verktøyet brukes og spesielt i forhold til arbeidsstykket som blir behandlet.

⚠ ADVARSEL: Sørg for å identifisere vernetiltak for å beskytte operatøren, som er basert på et estimat av eksponeringen under de faktiske bruksforholdene (idet det tas hensyn til alle deler av driftssyklusen, dvs. hvor lenge verktøyet er slått av, hvor lenge det går på tomgang og hvor lenge startbryteren faktisk holdes trykket).

EFs samsvarserklæring

Gjelder kun for land i Europa

EFs samsvarserklæring er lagt til som vedlegg A i denne bruksanvisningen.

SIKKERHETSADVARSEL

Generelle advarsler angående sikkerhet for elektroverktøy

⚠ ADVARSEL: Les alle sikkerhetsadvarsler, instruksjoner, illustrasjoner og spesifikasjoner som følger med dette elektroverktøyet. Hvis ikke alle instruksjonene nedenfor følges, kan det forekomme elektrisk støt, brann og/eller alvorlig skade.

Oppbevar alle advarsler og instruksjoner for senere bruk.

Uttrykket «elektrisk verktøy» i advarslene refererer både til elektriske verktøy (med ledning) tilkoblet strømmettet, og batteridrevne verktøy (uten ledning).

Sikkerhetsadvarsler for batteridrevet hekktrimmer

- Hold alle deler av kroppen borte fra skjærebladet. Ikke forsøk å fjerne kapp eller å holde fast materiale som skal kuttes, mens bladene er i bevegelse. Pass på at bryteren står på "av" når du fjerner materiale som har satt seg fast. Et øyeblikks uoppmerksomhet mens du bruker hekktrimmeren kan være nok til å forårsake alvorlige personskader.**
- Bær hekktrimmeren etter håndtaket og med skjærebladet i ro. Før transport eller oppbevaring av hekktrimmeren må dekelet til skjæreheten alltid settes på. Korrekt håndtering av hekktrimmeren vil redusere sannsynligheten for at skjærebladene forårsaker personskader.**
- Verktøyet skal kun holdes i de isolerte håndtakene, da skjærebladet kan komme i kontakt med skjulte ledninger. Skjæreblader som berører en strømførende ledning, kan gjøre at metalldelene på verktøyet blir strømførende og gi brukeren elektrisk støt.**
- FARE - Hold hendene unna bladet. Kontakt med bladet vil forårsake alvorlig personskade.**
- Ikke bruk hekktrimmeren når det regner eller når luftfuktigheten er veldig høy. Den elektriske motoren er ikke vanntett.**
- Førstegangsbrukere bør få en erfaren bruker av hekktrimmere til å vise dem hvordan trimmeren skal brukes.**

7. Hekktrimmeren må ikke brukes av barn eller unge under 18 år. Det kan gjøres unntak for ungdom over 16 år hvis de får opplæring under overoppsyn av en ekspert.
8. **Bruk hekktrimmeren kun hvis du er i god fysisk form.** Trethet fører til uaktsomhet. Vær spesielt forsiktig på slutten av arbeidsdagen. Utfør alt arbeid rolig og forsiktig. Brukeren er ansvarlig for all skader på tredjepart.
9. **Du må aldri bruke trimmeren når du har drukket alkohol eller tatt rusmidler eller medikamenter.**
10. Arbeidshansker av kraftig skinn inngår i det grunnleggende utstyret til hekktrimmeren og må alltid brukes under arbeidet med den. Bruk også robuste sko med sklisikre såler.
11. Før du begynner å jobbe, må du kontrollere at hekktrimmeren er funksjonsdyktig og i god stand. Påse at vernene er satt skikkelig på. Hekktrimmeren må ikke brukes med mindre den er satt helt sammen.
12. **Sørg for å ha godt fotfeste før du begynner arbeidet.**
13. Hold verktøyet i et fast grep når du bruker det.
14. Ikke bruk verktøyet uten belastning, hvis det ikke er nødvendig.
15. Slå av motoren, og fjern batteriet hvis kutteren skulle komme i kontakt med et gjerde eller andre harde gjenstander. Kontroller kutteren med tanke på eventuelle skader, og reparer den i så fall omgående.
16. Før du kontrollerer kutteren, retter feil eller fjerner materiale som har satt seg fast i kutteren, må du alltid slå av hekktrimmeren og fjerne batteriet.
17. Slå av hekktrimmeren, og fjern batteriet før du utfører vedlikeholdsarbeid.
18. Når du flytter hekktrimmeren til et annet sted, inkludert under arbeid, må du alltid fjerne batteriet og dekke skjærebladene med bladdekslet. Trimmeren må aldri bæres eller transporteres mens kutteren svinger. Grip aldri om kutteren med hendene.
19. Rengjør hekktrimmeren og særlig kutteren etter bruk og før du setter bort trimmeren for oppbevaring for en lengre periode. Olje kutteren forsiktig, og sett på dekselet. Dekselet som følger med enheten kan henges på vegg, slik at hekktrimmeren kan oppbevares på en sikker og praktisk måte.
20. Oppbevar hekktrimmeren med dekselet på i et tørt rom. Oppbevar den utilgjengelig for barn. Trimmeren må aldri oppbevares utendørs.
21. Du må aldri rette skjærebladene mot deg selv eller andre.
22. Hvis bladene slutter å bevege seg på grunn av fremmedlegemer som sitter fast mellom bladene under drift, må du slå av verktøyet og ta ut batterikassetten, og deretter fjerne fremmedlegemene med et verktøy slik som for eksempel en tang. Å fjerne greiner eller avfall som har satt seg fast med hendene, kan medføre til en personskaade, da sagbladene kan bevege seg som reaksjon på at fremmedlegemene fjernes.
23. Unngå farlige omgivelser. Ikke bruk utstyret i fuktige eller våte omgivelser, og ikke utsett det for regn. Hvis det kommer vann inn i verktøyet, vil risikoen for elektriske støt øke.
24. Ikke kast batteriet (batteriene) på åpen ild. Cellen kan eksplodere. Batterier skal leveres til en forhandler av elektroutstyr eller til et kommunalt avfallsmottak.
25. Ikke åpne eller ødelegg batteriet (batteriene). Elektrolytt som lekker ut er korroderende og kan forårsake skader på øyne og hud. Den kan være giftig hvis den svelges.
26. Ikke skift batteri når det regner, eller i fuktige omgivelser.
27. Kontroller at det ikke er noen fremmedlegemer i hekkene eller buskene, som piggråd eller skjulte kabler.

TA VARE PÅ DISSE INSTRUKSENE.

⚠ ADVARSEL: IKKE LA hensynet til hva som er "behagelig" eller det faktum at du kjenner produktet godt (etter mange gangers bruk) gjøre deg mindre oppmerksom på sikkerhetsreglene for bruken av det aktuelle produktet. Ved MISBRUK eller hvis ikke sikkerhetsreglene i denne bruksanvisningen følges, kan det oppstå alvorlig personskaade.

Viktige sikkerhetsanvisninger for batteriinnsets

1. Før du begynner å bruke batteriet, må du lese alle anvisninger og forsiktighetsregler på (1) batteriladeren, (2) batteriet og (3) det produktet batteriet skal brukes i.
2. Ikke ta fra hverandre batteriet.
3. Hvis driftstiden er blitt vesentlig kortere, må du omgående slutte å bruke maskinen. Hvis ikke kan resultatet bli overoppheting, mulige forbrenninger eller til og med en eksplosjon.
4. Hvis du får elektrolytt i øynene, må du skylle dem med store mengder rennende vann og oppsøke lege med én gang. Denne typen uhell kan føre til varig blindhet.
5. Ikke kortslett batteriet:
 - (1) De kan være ekstremt varme og du kan brenne deg.
 - (2) Ikke lagre batteriet i samme beholder som andre metallgjenstander, som for eksempel spiker, mynter osv.
 - (3) Ikke la batteriet komme i kontakt med vann eller regn.

En kortslutning av batteriet kan føre til et kraftig strømstøt, overoppheting, mulige forbrenninger og til og med til at batteriet går i stykker.
6. Ikke lagre maskinen og batteriet på steder hvor temperaturen kan komme opp i eller overskride 50 °C.
7. Ikke sett fyr på batteriet, ikke engang om det er sterkt skadet eller helt utslitt. Batteriet kan eksplodere hvis det begynner å brenne.

8. Vær forsiktig så du ikke mister batteriet eller utsetter det for slag.
9. Ikke bruk batterier som er skadet.
10. **Lithium-ion-batteriene som medfølger er gjenstand for krav om spesialavfall.**
For kommersiell transport, f.eks av tredjeparter eller speditorer, må spesielle krav om pakking og merking følges.
Før varen blir sendt, må du forhøre deg med en ekspert på farlig materiale. Ta også hensyn til muligheten for mer detaljerte nasjonale bestemmelser.
Bruk teip eller maskeringsteip for å skjule åpne kontakter og pakk inn batteriet på en slik måte at den ikke kan bevege seg rundt i emballasjen.
11. **Følg lokale bestemmelser for avhengig av batterier.**
12. **Bruk batteriene kun med produkter spesifisert av Makita.** Montere batteriene i produkter som ikke er konforme kan føre til brann, overheting eller elektrolyttlekkasje.

TA VARE PÅ DISSE INSTRUKSENE.

⚠️FORSIKTIG: Bruk kun originale Makita-batterier. Bruk av batterier som har endret seg, eller som ikke er originale Makita-batterier, kan føre til at batteriet sprekker og forårsaker brann, personskader og andre skader. Det vil også ugyldiggjøre garantien for Makita-verktøyet og -laderen.

Tips for å opprettholde maksimal batterilevetid

1. **Lad batteriinnsetsen før den er helt utladet. Stopp alltid driften av verktøyet og lad batteriinnsetsen når du merker at effekten reduseres.**
2. **Lad aldri en batteriinnsets som er fulladet. Overopplading forkorter batteriets levetid.**
3. **Lad batteriet i romtemperatur ved 10 °C - 40 °C. Et varmt batteri må kjøles ned før lading.**
4. **Lad batteriet hvis det ikke har vært brukt på en lang stund (over seks måneder).**

FUNKSJONS BESKRIVELSE

⚠️FORSIKTIG: Forviss deg alltid om at maskinen er slått av og batteriet tatt ut før du justerer maskinen eller kontrollerer dens mekaniske funksjoner.

Sette inn eller ta ut batteri

⚠️FORSIKTIG: Slå alltid av verktøyet før du setter inn eller fjerner batteriet.

⚠️FORSIKTIG: Hold verktøyet og batteripatronen i et fast grep når du monterer eller fjerner batteripatronen. Hvis du ikke holder verktøyet og batteripatronen godt fast, kan du miste grepet, og dette kan føre til skader på verktøyet og batteripatronen samt personskader.

► Fig.1: 1. Rød indikator 2. Knapp 3. Batteriinnsets

For å ta ut batteriet må du skyve på knappen foran på batteriet og trekke det ut.

Når du skal sette inn batteriet, må du plassere tungen på batteriet på linje med sporet i huset og skyve batteriet på plass. Skyv det helt inn til det går i inngrep med et lite klikk. Hvis du kan se den røde anviseren på oversiden av knappen, er det ikke fullstendig låst.

⚠️FORSIKTIG: Batteriet må alltid settes helt inn, så langt at den røde anviseren ikke lenger er synlig. Hvis dette ikke gjøres, kan batteriet komme til å falle ut av maskinen og skade deg eller andre som oppholder seg i nærheten.

⚠️FORSIKTIG: Ikke bruk makt når du setter i batteriet. Hvis batteriet ikke glir lett inn, er det fordi det ikke settes inn på riktig måte.

Indikere gjenværende batterikapasitet

Kun for batterier med indikatoren

► Fig.2: 1. Indikatorlamper 2. Kontrollknapp










Trykk på sjekk-knappen på batteriet for vise gjenværende batterikapasitet. Indikatorlampene lyser i et par sekunder.

Indikatorlamper			Gjenværende batterinivå
Tent	Av	Blinker	
■	■	■	75 % til 100 %
■	■	□	50 % til 75 %
■	□	□	25 % til 50 %
■	□	□	0 % til 25 %
◼	□	□	Lad batteriet.
■	□	□	Batteriet kan ha en feil.
□	□	■	


MERK: Det angitte nivået kan avvike noe fra den faktiske kapasiteten alt etter bruksforholdene og den omgivende temperaturen.

Batterivernsystem for verktøy/ batteri

Verktøyet er utstyrt med et batterivernsystem for verktøy/
batteri. Dette systemet kutter automatisk strømmen til
motoren for å forlenge verktøyet og batteriets levetid.
Verktøyet stopper automatisk under drift hvis verktøyet
eller batteriet utsettes for en av følgende tilstander:

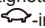
Status	Indikatorlamper		
	<input type="checkbox"/> På	<input type="checkbox"/> Av	<input type="checkbox"/> Blinker
Overbelastning			
Overoppheting			
Overutlading			

Overlastsikring

Hvis verktøyet overbelastes som følge av greiner eller
avfall som setter seg fast, begynner  og de midtre
indikatorne å blinke, og verktøyet stopper automatisk.
I dette tilfellet må du slå av verktøyet og avslutte bruken
som forårsaket at verktøyet ble overbelastet. Slå deret-
ter verktøyet på for å starte det igjen.

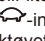
OBS: Avhengig av bruksbetingelsene, slås
verktøyet automatisk av uten noen indikasjon
hvis verktøyet er overbelastet som en følge av
greiner eller avfall. I så fall må du slå av verktøyet
og fjerne batteriet, og deretter fjerne greiner eller
avfall som har satt seg fast, ved hjelp av verktøy
slik som en tang. Etter at greiner eller avfall er
fjernet, setter du inn batteriet og slår på verktøyet
igjen.

Overopphetingsikring for verktøy/batteri

Det finnes to typer overoppheting – verktøyoveropphet-
ing og batterioveroppheting. Når verktøyet overopp-
hetes, blinker alle hastighetsindikatorer. Når batteriet
overopphetes, blinker -indikatoren.

Ved overoppheting stopper verktøyet automatisk. La
verktøyet og/eller batteriet kjøle seg ned før du slår på
verktøyet igjen.

Overutladingsvern

Når det blir lite batteri igjen, stopper verktøyet automa-
tisk, og -indikatoren blinker.
Hvis verktøyet ikke går selv om bryterne aktiveres, må
du ta batteriet ut av verktøyet og lade batteriet.

Innstille vinkelen for håndtaket

⚠️FORSIKTIG: Pass alltid på at håndtaket er
låst i den ønskede stillingen før du tar i bruk
maskinen.

⚠️FORSIKTIG: Ikke trekk ned spaken for å låse
opp håndtaket mens du trekker i startbryteren.
Ikke trekk i startbryteren mens du trekker ned
spaken og dreier håndtaket. Hvis du ikke retter
deg etter dette, kan det føre til at verktøyet ikke
funksjonerer.

Du kan stille inn håndtaket i en vinkel på 0°, 45°, eller
90° til venstre eller høyre. For å stille inn håndtaksvin-
kelen dreier du håndtaket mens du trekker ned spaken,
og slipper deretter spaken løs igjen.

► **Fig.3:** 1. Spak

Strømbryterens funksjon

⚠️ADVARSEL: Av hensyn til din egen sikkerhet
er dette verktøyet utstyrt med en AV-sperrehendel
som forhindrer utilsiktet start av verktøyet. Du
må **ALDRI** bruke verktøyet hvis det starter når du
bare trykker på startbryteren uten at du også må
trykke på AV-sperrehendelen. Lever verktøyet til
et autorisert serviceverksted for å få det reparert
FØR videre bruk.

⚠️ADVARSEL: AV-sperrehendelen må **ALDRI**
holdes inne med tape, og den må **ALDRI** settes ut
av funksjon.

⚠️ADVARSEL: Før du setter batteriet i mas-
kinen, må du kontrollere at startbryteren og
starthendelen beveger seg riktig og går tilbake til
"OFF"-stillingen når den slippes. Hvis du bruker
verktøyet med en bryter som ikke fungerer som den
skal, kan du komme til å miste kontrollen, og det kan
føre til alvorlig personskade.

⚠️FORSIKTIG: Du må aldri plassere fingeren
på bryteren når du bærer verktøyet. Verktøyet kan
starte utilsiktet og forårsake skade.

OBS: Ikke trykk hardt på utløseren uten å trykke
på AV-sperrehendelen. Dette kan få bryteren til å
brekke.

Trykk på hovedstrømbryteren for å slå på verktøyet.
Strømlampen tennes når verktøyet slås på. Du slår av
verktøyet ved å trykke på og holde hovedstrømbryteren
inne en gang til. Strømlampen slukkes når verktøyet
slås av.

► **Fig.4:** 1. Strømlampe 2. Hovedstrømknaupp

MERK: Verktøyet slås av automatisk hvis det ikke er i
bruk i en periode.

For å hindre at startbryteren betjenes ved et uhell, er
verktøyet utstyrt med en AV-sperrehendel. Trykk inn
AV-sperrehendelen, trykk så på bryterhendelen og
trykk på startbryteren for å starte verktøyet. Turtallet til
verktøyet økes når du drar hardere i startbryteren. Slipp
startbryteren for å stanse verktøyet.


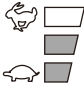
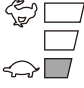
► **Fig.5:** 1. Bryterhendel 2. Av-sperrehendel
3. Startbryter

Hastighetsjustering

Du kan justere hastigheten til verktøyet ved å trykke på hovedstrømknappen.

Hver gang du trykker på hovedstrømknappen, vil hastighetsnivået endre seg.

► **Fig.6:** 1. Strømlampe 2. Hovedstrømknapp

Indikator	Modus	Slaghastighet
	Høy	4 400 min ⁻¹
	Middels	3 600 min ⁻¹
	Lav	2 000 min ⁻¹

Reversknapp for fjerning av avfall

⚠ ADVARSEL: Hvis greiner eller avfall som har satt seg fast ikke kan fjernes ved reverseringsfunksjonen, må du slå av verktøyet og fjerne batteriet, og deretter fjerne greiner eller avfall som har satt seg fast, ved hjelp av verktøy slik som en tang. Hvis du ikke slår av verktøyet og fjerner batteriet, kan det føre til at verktøyet starter ved et uhell, noe som kan føre til alvorlig personskade. Å fjerne greiner eller avfall som har satt seg fast, med hendene, kan føre til en personskade, da skjærebladene kan bevege seg som reaksjon på at det fjernes.

Dette verktøyet er utstyrt med en reversbryter som lar deg endre skjærebladenes retning. Den skal bare brukes til å fjerne greiner og avfall som sitter fast i verktøyet.

For å reversere skjærebladenes bevegelse, trykker du på reversknappen når skjærebladene har stoppet, og deretter trykker du på bryterhendelen og trekker i startbryteren mens du trykker på AV-sperrehendelen. Strømlampen begynner å blinke, og skjærebladene beveger seg i reversretningen.

Når greinene og avfallet er fjernet, returnerer verktøyet til den vanlige bevegelsen og strømlampen slutter å blinke og lyser opp.

► **Fig.7:** 1. Reversebryter

MERK: Hvis greinene eller avfallet som sitter fast ikke kan fjernes, slipper du og trykker startbryteren inntil det er fjernet.

MERK: Hvis du trykker på reversknappen mens skjærebladene fremdeles er i bevegelse, stanser verktøyet, og er deretter klart til reversbevegelse.

MONTERING

⚠ FORSIKTIG: Forviss deg alltid om at maskinen er slått av og batteriet tatt ut før du utfører noe arbeid på maskinen.

⚠ FORSIKTIG: Når du skifter ut skjærebladene, må du alltid bruke hansker slik at hendene ikke kommer i direkte kontakt med bladene.

OBS: Når du skifter du skjærebladene, må du ikke tørke fett av giret eller veivakselen.

Montere eller demontere skjærebladene

⚠ FORSIKTIG: Fest bladdekslet før du fjerner eller monterer skjærebladene.

Du kan montere 500 mm, 600 mm, eller 750 mm skjæreblader på verktøyet ditt.

1. Plasser verktøyet opp ned, og fjern 6 skruer.

► **Fig.8:** 1. Skruer

2. Fjern dekslet og platen.

► **Fig.9:** 1. Deksel 2. Plate

MERK: Platen kan bli på dekslet.

3. Fjern stangen.

► **Fig.10:** 1. Stang

MERK: Staget kan bli på dekslet.

4. Skru ut 2 skruer, ta av filtputen, pakningene og hylsene og så tar du av skjærebladene.

► **Fig.11:** 1. Filtpute 2. Skruer 3. Skive 4. Hylse 5. Skjæreblader

5. Ta av bladdekslet.

6. Fest bladdekslet til de nye skjærebladene.

7. Juster veivakselen slik at 2 hull står rettet inn over justeringslinjen.

► **Fig.12:** 1. Hull 2. Justeringslinje

8. Rett inn fremspringene på skjærebladene vertikalt ved den samme posisjonen.

► **Fig.13:** 1. Fremspring

9. Fest filtputen til skjærebladene.

► **Fig.14:** 1. Filtpute

10. Stikk fremspringene på skjærebladene inn i hullene på stangen og rett deretter filtputens posisjon inn med hullene på verktøyet og til slutt setter du på nye hylser og pakninger.

► **Fig.15:** 1. Fremspring 2. Hull 3. Filtpute 4. Skive 5. Hylse

OBS: Påfør en liten mengde fett på stangens innvendige periferi.

OBS: Pass på at du ikke løsner skivene og hylsene.

11. Rett hullene i skjærebladene inn med hullene i verktøyet, og trekk deretter til 2 skruer for å feste skjærebladene.

► **Fig.16:** 1. Skruer 2. Hull

12. Feste stangen.

► **Fig.17:** 1. Stang 2. Lite hull

OBS: Påfør en liten mengde fett på innvendige periferien i det lille hullet på stangen.

OBS: Pass på at fremspringet på skjærebladene passer inn i det lille hullet i stangen.

13. Fest platen.

► Fig.18: 1. Fremspring 2. Plate

OBS: Pass på at fremspringet på skjærebladene passer inn i hullet i platen.

14. Fest dekselet og trekk til 6 skruer.

► Fig.19: 1. Deksel 2. Skruer

OBS: Se til at du skrur inn 2 lange skruer i senterhullene.

OBS: Hvis skjærebladene ikke beveger seg jevnt, griper bladene ikke riktig inn i stagene. Monter skjærebladene på nytt.

OBS: Hvis det er andre deler enn skjærebladene som er utslitt, som f.eks. stagene, ta kontakt med et autorisert Makita servicesenter for nye deler eller reparasjon.

Montere eller fjerne flisoppsamleren

Valgfritt tilbehør

⚠FORSIKTIG: Når du monterer eller demonterer flisoppsamleren, må du alltid bruke hansker slik at hendene ikke kommer i direkte kontakt med skjærebladene.

OBS: Bladdekselet kan ikke monteres hvis flisoppsamleren er montert på verktøyet. Før du bærer verktøyet noe sted, eller setter den på lager, må du avmontere flisoppsamleren og montere bladdekselet for å unngå at bladene står utildekket.

OBS: Pass på å fjerne bladdekselet før du installerer flisoppsamleren.

Flisoppsamleren samler opp løv og gjør oppryddingen i etterkant mye enklere. Den kan monteres på begge sider av verktøyet.

Når du monterer flisoppsamleren, retter du inn krokene på flisoppsamleren med pilmerkene på skjærebladene, og trykker deretter flisoppsamleren mot skjærebladene slik at krokene passer inn i sporene på skjærebladene.

► Fig.20: 1. Krok 2. Pilmerke

► Fig.21: 1. Krok

OBS: Pass på at flisoppsamleren ikke overlapper tuppvernet.

► Fig.22: 1. Tuppvernet

Når du skal fjerne flisoppsamleren, trykker du hendene på begge sider for å frigjøre krokene.

► Fig.23: 1. Spak

OBS: Ikke prøv å fjerne flisoppsamleren ved å bruke makt mens krokene er festet i sporene på skjærebladene.

BRUK

⚠ADVARSEL: Hold hendene unna skjærebladene.

⚠FORSIKTIG: Unngå å bruke verktøyet i svært varmt vær så sant det lar seg gjøre. Ikke bruk verktøyet hvis du føler deg uvel.

⚠FORSIKTIG: Vær forsiktig så du ikke utilsiktet kommer borti et metallgjerde eller andre harde gjenstander mens du beskærer hekken. Skjærebladene kan brette og forårsake personskade.

⚠FORSIKTIG: Ikke la skjærebladene komme i kontakt med bakken. Verktøyet kan slå tilbake og forårsake personskade.

⚠FORSIKTIG: Å lene seg ut over noe med en hekktrimmer, særlig fra en stige, er svært farlig. Når du jobber, må du ikke stå på noe som er ustøtt eller ustabil.

OBS: Ikke forsøk å beskære greiner som er tykkere enn 10 mm i diameter med verktøyet. Kutt greiner til 10 cm lavere enn klippehøyden ved hjelp av en greinsaks før du bruker verktøyet.

► Fig.24: (1) klippehøyde (2) 10 cm

OBS: Ikke fell trær eller kutt lignende harde gjenstander. Det kan skade verktøyet.

OBS: Ikke kutt gress eller ugress med skjærebladene. Skjærebladene kan vikle seg inn i gresset eller ugresset.

Hold verktøyet med begge hender, trykk på startbryteren mens du trykker på AV-sperrehendelen, og beveg det deretter fremover.

► Fig.25

En grunnleggende arbeidsoperasjon består i å vippe bladene den veien beskæringen skal utføres, og bevege trimmeren sakte og rolig med en hastighet på 3 til 4 sekunder per meter.

► Fig.26

For å kutte toppen av en hekk jevnt, binder du en snor i den ønskede hekkhøyden og trimmer langs den.

► Fig.27

Hvis flisoppsamleren er festet til skjærebladene, samler den opp løv og gjør oppryddingen i etterkant mye enklere.

► Fig.28

For å kutte siden av en hekk jevnt, kutter du fra bunnen og opp til toppen.

► Fig.29

Når du beskærer for å lage en rund form (beskæring av buksbom eller rododendron, osv.), beskærer du fra roten til toppen for en pen avslutning.

► Fig.30

VEDLIKEHOLD

⚠️FORSIKTIG: Forviss deg alltid om at maskinen er slått av og batteriet tatt ut før du foretar inspeksjon eller vedlikehold.

For å opprettholde produktets SIKKERHET og PÅLITELIGHET, må reparasjoner, vedlikehold og justeringer utføres av autoriserte Makita servicesentre eller fabrikkservicesentre, og det må alltid brukes reservedeler fra Makita.

Rengjøre verktøyet

Rengjør verktøyet ved å tørke bort støv med en tørr klut eller en klut som er dyppet i såpevann og vridd opp.

OBS: Aldri bruk gasolin, bensin, tynner alkohol eller lignende. Det kan føre til misfarging, deformering eller sprekkdannelse.

Vedlikehold av skjæreblad

Før bruk, eller en gang i timen under bruk, påfører du olje med lav viskositet (maskinolje eller smøreolje fra en sprayflaske) på skjærebladene.

► Fig.31

Etter bruk fjerner du støv fra begge sidene av skjærebladene med en stålborste, tørker det bort med en klut og påfører deretter olje med lav viskositet (maskinolje eller smøreolje fra en sprayflaske) på skjærebladene.

► Fig.32

OBS: Ikke vask skjærebladene i vann. Det kan føre til at verktøyet begynner å ruste eller blir skadet.

OBS: Smuss og korrosjon forårsaker høy bladfriksjon og forkorter driftstiden per batterilading.

Lagring

Krokhullet i bunnen av verktøyet er praktisk hvis du vil henge verktøyet på en spiker eller skrue på veggen. Fest bladdekslet til skjærebladene slik at bladene ikke er utildekket. Oppbevar verktøyet utilgjengelig for barn. Oppbevar verktøyet på et sted som ikke er utsatt for fuktighet eller regn.

► Fig.33: 1. Hull

Slipe skjærebladene

OBS: Hvis skjærebladene er blitt betydelig deformert av sliping, må du erstatte skjærebladene med nye.

1. Sett batteriet inn i verktøyet.
2. Slå på og start verktøyet slik at det øver bladet og det nedre bladet er posisjonert vekselvis.

► Fig.34

3. Slå av verktøyet og fjern batteriet fra verktøyet.

4. Fjern skruen og fjern deretter tuppvernet.

► Fig.35: 1. Skrue 2. Tuppvernet

5. Still vinkelen på inn på 45° og slip det øvre bladet fra 3 retninger med filen.

► Fig.36: (1) Fil (2) 45°

⚠️FORSIKTIG: Før du sliper skjærebladene, må du forsikre deg om at verktøyet er slått av og at batteriet er tatt ut av verktøyet.

6. Plasser verktøyet opp ned, og fjern deretter grader fra skjærebladene med filen.

► Fig.37: 1. Fil

7. Still filens vinkel inn på 45° og slip det nedre bladet fra 3 retninger med filen.

8. Plasser verktøyet i normal posisjon, og fjern deretter grader fra skjærebladene med filen.

9. Fest tuppvernet ved å stramme skruen.

Fettsmøring

Smøreintervall: Hver 100 driftstime

1. Skru ut 3 skruer og ta av deretter bunndekselet.

► Fig.38: 1. Skruer 2. Bunndeksel

2. Ta lokket av fettbeholderen og fest deretter fettbeholderen til hullet i dekslet ved å dreie på fettbeholderen.

► Fig.39: 1. Deksel 2. Fettbeholder

3. Fyll fett på verktøyet (omtrent 5 som en retningslinje).

4. Fjern fettbeholderen.

5. Fest bunndekselet og trekk til 3 skruer.

VALGFRITT TILBEHØR

⚠️FORSIKTIG: Det anbefales at du bruker dette tilbehøret eller verktøyet sammen med den Makita-maskinen som er spesifisert i denne håndboken. Bruk av annet tilbehør eller verktøy kan forårsake personskader. Tilbehør og verktøy må kun brukes til det formålet det er beregnet på.

Ta kontakt med ditt lokale Makita-servicesenter hvis du trenger mer informasjon om dette tilbehøret.

- Skjærebladenhet
- Skjærebladdeksel
- Flisoppsamler
- Fettbeholder
- Makita originalbatteri og lader

MERK: Enkelte elementer i listen kan være inkludert som standardtilbehør i verktøypakken. Elementene kan variere fra land til land.

TEKNISET TIEDOT

Malli:	DUH501	DUH601	DUH751
Terän pituus	500 mm	600 mm	750 mm
Iskuja minuutissa	0–4 400 min ⁻¹		
Kokonaispituus	1 016 mm	1 121 mm	1 261 mm
Nimellisjännite	DC 18 V		
Nettopaino	3,8–4,5 kg		

Malli:	DUH502	DUH602	DUH752
Terän pituus	500 mm	600 mm	750 mm
Iskuja minuutissa	0–4 400 min ⁻¹		
Kokonaispituus	1 016 mm	1 121 mm	1 261 mm
Nimellisjännite	DC 18 V		
Nettopaino	3,8–4,5 kg		

- Jatkuvasta tutkimus- ja kehitystyöstämme johtuen esitetyt tekniset tiedot saattavat muuttua ilman erillistä ilmoitusta.
- Tekniset ominaisuudet voivat vaihdella maittain.
- Paino voi olla erilainen lisävarusteista sekä akusta johtuen. EPTA-menettelytavan 01/2014 mukaisesti, taulukossa on kuvattu kevyin ja painavin laiteyhdistelmä.

Käytettävä akkupaketti

BL1815N / BL1820 / BL1820B / BL1830 / BL1830B / BL1840 / BL1840B / BL1850 / BL1850B / BL1860B

- Tiettyjä yläpuolella kuvattuja akkuja ei ehkä ole saatavana asuinalueestasi johtuen.

VAROITUS: Käytä vain edellä eriteltyjä akkupaketteja. Muiden akkupakettien käyttäminen voi aiheuttaa loukkaantumisen ja/tai tulipalon.

Symbolit

Laitteessa on käytetty seuraavia symboleja. Opettele niiden merkitys ennen käyttöä.



Lue käyttöohje.



Älä altista laitetta kosteudelle.



Koskee vain EU-maita

Älä hävitä sähkölaitteita tai akkuja tavallisen kotitalousjätteen mukana! Sähkö- ja elektroniikkalaiteromua koskevan EU-direktiivin ja paristoja ja akkuja sekä käytettyjä paristoja ja akkuja koskevan direktiivin ja niiden maakohtaisten sovellusten mukaisesti käytetyt sähkölaitteet ja akut on toimitettava ongelmajätteen keräyspisteeseen ja ohjattava ympäristöystävälliseen kierrätykseen.

Käyttötarkoitus

Laite on tarkoitettu pensasaitojen leikkaamiseen.

Melutaso

Soveltuva standardi : EN60745-2-15

Malli	Äänenpainetaso		Äänitehotaso	
	L _{pa} (dB (A))	Epävarmuus K (dB (A))	L _{pa} (dB (A))	Epävarmuus K (dB (A))
DUH501	84	3	97	3
DUH601	82	3	95	3
DUH751	84	3	97	3
DUH502	81,3	3	86,8	3
DUH602	82,1	3	87,4	3
DUH752	80,5	3	87,8	3

HUOMAA: Ilmoitetut melutasoarvot on mitattu standarditestausmenetelmän mukaisesti ja niiden avulla voidaan vertailla työkaluja keskenään.

HUOMAA: Ilmoitettuja melutasoarvoja voidaan käyttää myös altistumisen alustavaan arviointiin.

VAROITUS: Käytä kuulosuojaimia.

VAROITUS: Sähkötyökalun käytön aikana mitattu melutasoarvo voi poiketa ilmoitetuista arvoista laitteen käyttötavan ja erityisesti käsiteltävän työkappaleen mukaan.

VAROITUS: Selvitä käyttäjän suojaamiseksi tarvittavat varoimet todellisissa käyttöolosuhteissa tapahtuvan arvioidun altistumisen mukaisesti (ottaen huomioon käyttöjako kokonaisuudessaan, myös jaksot, joiden aikana laite on sammutettuna tai käy tyhjäkäynnillä).

Tärinä

Kokonaistärinä (kolmen akselin vektorien summa) määräytyy standardin EN60745-2-15 mukaan:

Malli DUH501

Tärinäpäästö (a_h): 2,5 m/s²
Virhemarginaali (K): 1,5 m/s²

Malli DUH601

Tärinäpäästö (a_h): 2,5 m/s² tai alhaisempi
Virhemarginaali (K): 1,5 m/s²

Malli DUH751

Tärinäpäästö (a_h): 2,5 m/s²
Virhemarginaali (K): 1,5 m/s²

Malli DUH502

Tärinäpäästö (a_h): 2,5 m/s²
Virhemarginaali (K): 1,5 m/s²

Malli DUH602

Tärinäpäästö (a_h): 2,5 m/s² tai alhaisempi
Virhemarginaali (K): 1,5 m/s²

Malli DUH752

Tärinäpäästö (a_h): 2,5 m/s² tai alhaisempi
Virhemarginaali (K): 1,5 m/s²

HUOMAA: Ilmoitetut kokonaistärinäarvot on mitattu standarditestausmenetelmän mukaisesti ja niiden avulla voidaan vertailla työkaluja keskenään.

HUOMAA: Ilmoitettuja kokonaistärinäarvoja voidaan käyttää myös altistumisen alustavaan arviointiin.

VAROITUS: Sähkötyökalun käytön aikana mitattu todellinen tärinäpäästöarvo voi poiketa ilmoitetuista arvoista laitteen käyttötavan ja erityisesti käsiteltävän työkappaleen mukaan.

VAROITUS: Selvitä käyttäjän suojaamiseksi tarvittavat varoimet todellisissa käyttöolosuhteissa tapahtuvan arvioidun altistumisen mukaisesti (ottaen huomioon käyttöjako kokonaisuudessaan, myös jaksot, joiden aikana laite on sammutettuna tai käy tyhjäkäynnillä).

EY-vaatimustenmukaisuusvakuutus

Koskee vain Euroopan maita

EY-vaatimustenmukaisuusvakuutus on liitetty tähän käyttöoppaaseen.

TURVAVAROITUKSET

Sähkötyökalujen käyttöä koskevat yleiset varoitukset

VAROITUS: Tutustu kaikkiin tämän sähkötyökalun mukana toimitettuihin varoituksiin, ohjeisiin, kuviin ja teknisiin tietoihin. Seuraavassa lueltujen ohjeiden noudattamatta jättäminen saattaa johtaa sähköiskuun, tulipaloon tai vakavaan vammautumiseen.

Säilytä varoitukset ja ohjeet tulevaa käyttöä varten.

Varoituksissa käytettävällä termillä "sähkötyökalu" tarkoitetaan joko verkkovirtaa käyttävää (johdollaista) työkalua tai akkukäyttöistä (johdotonta) työkalua.

Akkukäyttöisen pensasleikkurin turvallisuusohjeet

- Pidä kaikki kehon osat kaukana leikkuuterästä. Älä poista leikattua ainesta tai pidä leikattavasta kohteesta kiinni leikkuuterien liikkeessä. Varmista, että kytkin ei ole painettuna, kun poistat kiinni jäänyttä leikkumateriaalia.** Hetkellinenkin huolimattomuus pensasleikkurin käytön aikana voi aiheuttaa vakavan vamman.
- Kanna pensasleikkuria kahvasta leikkuuterän ollessa pysäytettynä. Aseta pensasleikkurin teräsuojus paikalleen aina kuljetuksen ja varastoinnin ajaksi.** Pensasleikkurin asianmukainen käsittely vähentää leikkuuterien aiheuttamien vammojen mahdollisuutta.
- Pidä sähkötyökalusta kiinni vain sen eristetyistä tartuntapinnoista, sillä leikkuuterä saattaa osua piilossa oleviin johtoihin.** Jos leikkuuterät osuvat jännitteelliseen johtoon, jännite voi siirtyä työkalun sähköä johtaviin metalliosiin ja aiheuttaa käyttäjälle sähköiskun.
- VAARA - Pidä kädet kaukana terästä.** Teräkosketus voi aiheuttaa vakavan henkilövahingon.
- Älä käytä pensasleikkuria sateella, märissä tai muutoin kosteissa olosuhteissa.** Sähkömoottori ei ole vesitiivis.
- Kokemattomien käyttäjien on hyvä pyytää neuvoja kokeneilta käyttäjiltä pensasleikkurin käyttöä koskien.**
- Pensasleikkuria ei saa käyttää lasten tai alle 18-vuotiaiden nuorten toimesta.** Poikkeustapauksissa käyttö voidaan sallia myös kuuksitoista vuotta täyttäneille, jos he opettelevat leikkurin käyttöä asiantuntevan aikuisen valvonnassa.

8. Käytä pensasleikkuria vain, jos olet hyvässä fyysisessä kunnossa. Huomiokyky heikkenee väsymyksen myötä. Noudata erityistä varovaisuutta työpäivän lopulla. Työskentele rauhallisesti ja varovaisesti. Käyttäjää on vastuussa ulkopuolisille aiheutuvista kaikista vahingoista.
9. Älä koskaan käytä pensasleikkuria alkoholin, huumeiden tai lääkkeiden vaikutuksen alaisena.
10. Paksut nahkakäsineet ovat osa pensasleikkurin perusvarusteita ja niitä on käytettävä aina laitteen käytön aikana. Käytä myös tukevia ja luistamattomilla pohjilla varustettuja jalkineita.
11. Varmista, että pensasleikkuri on asianmukaisesti toimintakunnossa ennen työskentelyn aloittamista. Varmista, että suojukset ovat oikein paikoillaan. Pensasleikkuria ei saa käyttää, jos kaikki osat eivät ole paikallaan.
12. Varmista, että tasapainosi on luotettava ennen työskentelyn aloittamista.
13. Pidä laitteesta tukevasti kiinni sen käytön aikana.
14. Älä käytä laitetta tarpeettomasti kuormittamattomana.
15. Sammuta moottori välittömästi ja irrota akku, jos leikkuri osuu aitaan tai johonkin muuhun kovaan kohteeseen. Tarkista leikkurin kunto ja korjaa mahdolliset vauriot välittömästi.
16. Sammuta leikkuri ja irrota akku aina, ennen kuin tarkistat leikkurin, korjaa vikoja tai poistat leikkuriin juuttunutta materiaalia.
17. Sammuta leikkuri ja irrota akku ennen minkään leikkuriin kohdistuvan huoltotyön suorittamista.
18. Irrota akku ja aseta teräsuojus leikkuuterien päälle aina pensasleikkurin siirtämisen aikana, sekä myös työskentelyn aikana. Älä koskaan kannna tai kuljeta pensasleikkuria sen ollessa käynnissä. Älä koskaan tartu leikkuuterään käsin.
19. Puhdista pensasleikkuri ja erityisesti leikkuuterä käytön jälkeen sekä silloin, kun viet pensasleikkurin varastoon pitkäksi aikaa. Öljyä leikkuuterä kevyesti ja aseta teräsuojus paikalleen. Laitteen mukana toimitetun suojuksen voi kiinnittää seinään, jolloin suojus toimii kätevästi ja turvallisena säilytyspaikkana pensasleikkurille.
20. Säilytä pensasleikkuria kuivassa tilassa teräsuojuksen ollessa leikkuuterän päällä. Pidä leikkuri lasten ulottumattomissa. Älä koskaan säilytä leikkuria ulkotiloissa.
21. Älä koskaan suuntaa leikkuuterää itseäsi tai sivullisia kohti.
22. Jos terät lakkaavat liikkumasta, koska niiden väliin juuttuu vierasesine käytön aikana, sammuta laite, irrota sen akkupaketti ja poista sitten vierasesineet asianmukaisella työkalulla, kuten pihdeillä. Vierasesineiden poistaminen käsin voi aiheuttaa henkilövahinkoja, koska terät voivat liikkua vierasesineiden poistamisen seurauksena.
23. Vältä vaarallisia ympäristöjä. Älä käytä työkalua kosteissa tai märissä paikoissa äläkä altista sitä sateelle. Työkalan sisään päässyt vesi lisää sähköiskun vaaraa.
24. Älä hävitä akkua (akkuja) polttamalla. Akkukenno voi räjähtää. Tarkista, onko paikallisissa määräyksissä erityisiä laitteita koskevia hävitysohjeita.
25. Älä avaa tai riko akkua (akkuja). Akusta mahdollisesti vuotava elektrolyytti on syövyttävää ja saattaa vaurioittaa ihoa tai silmiä. Se saattaa olla myrkyllistä nieltynä.
26. Älä lataa akkua sateessa tai kosteissa olosuhteissa.

27. Tarkista ennen laitteen käyttöönottoa, ettei aidoissa tai pensaisissa ole muuta kuin oksastoa, kuten verkkoaitaa tai piilossa olevia johtoja.

SÄILYTÄ NÄMÄ OHJEET.

VAROITUS: ÄLÄ anna työkalun helpokäyttöisyyden (toistuvan käytön aikaansaama) johtaa sinua vääriin turvallisuuden tunteeseen niin, että laiminlyöt työkalun turvaohjeiden noudattamisen. **VÄÄRINKÄYTTÖ** tai tässä käyttöohjeessa ilmoitettujen turvamääräysten laiminlyönti voi aiheuttaa vakavia henkilövahinkoja.

Akkupakettia koskevia tärkeitä turvaohjeita

1. Ennen akun käyttöönottoa tutustu kaikkiin laturissa (1), akussa (2) ja akkukäyttöisessä tuotteessa (3) oleviin varoituseteksteihin.
2. Älä pura akkua.
3. Jos akun toiminta-aika lyhenee merkittävästi, lopeta akun käyttö. Seurauksena voi olla ylikuumeneminen, palovammoja tai jopa räjähdys.
4. Jos akkunesettä pääsee silmiin, huuhtele puhtaalla vedellä ja hakeudu välittömästi lääkärin hoitoon. Akkunesite voi aiheuttaa näön menetyksen.
5. Älä oikosulje akkua.
 - (1) Älä koske akun napoihin millään sähköä johtavalla materiaalilla.
 - (2) Vältä akun oikosulkemista äläkä säilytä akkua yhdessä muiden metalliesineiden, kuten naulojen, kolkoiden ja niin edelleen kanssa.
 - (3) Älä aseta akkua alttiiksi vedelle tai sateelle. Oikosulku voi aiheuttaa virtapiikin, ylikuumentumista, palovammoja tai laitteen rikkoontumisen.
6. Älä säilytä työkalua ja akkua paikassa, jossa lämpötila voi nousta 50 °C:een tai sitäkin korkeammaksi.
7. Älä hävitä akkua polttamalla, vaikka se olisi pahoin vaurioitunut tai täysin loppuun kulunut. Avotuli voi aiheuttaa akun räjähtämisen.
8. Varo kolhimasta tai pudottamasta akkua.
9. Älä käytä viallista akkua.
10. Sisältyviä litium-ioni-akkuja koskevat vaarallisten aineiden lainsäädännön vaatimukset. Esimerkiksi kolmansien osapuolten huolintaliikkeiden tulee kaupallisissa kuljetuksissa noudattaa pakkaamista ja merkintöjä koskevia erityisvaatimuksia. Lähetettävän tuotteen valmistelu edellyttää vaarallisten aineiden asiantuntijan neuvontaa. Huomioi myös mahdollisesti yksityiskohtaisemmat kansalliset määräykset. Akun avoimet liittimet tulee suojata teipillä tai suojuksella ja pakkaaminen tulee tehdä niin, ettei akku voi liikkua pakkauksessa.
11. Hävitä akku paikallisten määräysten mukaisesti.
12. Käytä akkua vain Makitan ilmoittamien tuotteiden kanssa. Akkujen asentaminen yhteensopimattomiin tuotteisiin voi aiheuttaa tulipalon, liiallisen ylikuumenemisen, räjähdysken tai akkunesitevuotoja.

SÄILYTÄ NÄMÄ OHJEET.

▲HUOMIO: Käytä vain alkuperäisiä Makita-akkuja. Muiden kuin aitojen Makita-akkujen, tai mahdollisesti muutettujen akkujen käyttö voi johtaa akun murtumiseen ja aiheuttaa tulipaloja, henkilö- ja omaisuusvahinkoja. Se mitätöi myös Makita-työkalun ja -laturin Makita-takuun.

Vihjeitä akun käyttiän pidentämiseksi

1. Lataa akku ennen kuin se purkautuu täysin. Lopeta aina työkalun käyttö ja lataa akku, jos huomaat työkalun tehon vähenevän.
2. Älä koskaan lataa uudestaan täysin ladattua akkua. Yliilataaminen lyhentää akun käyttöikää.
3. Lataa akku huoneen lämpötilassa välillä 10 °C - 40 °C. Anna kuumen akun jäähtyä ennen lataamista.
4. Lataa akkupaketti, jos et käytä sitä pitkään aikaan (yli kuusi kuukautta).

TOIMINTOJEN KUVAUS

▲HUOMIO: Varmista aina ennen säätöjä ja tarkastuksia, että työkalu on sammutettu ja akkupaketti irrotettu.

Akun asentaminen tai irrottaminen

▲HUOMIO: Sammuta työkalu aina ennen akun kiinnittämistä tai irrottamista.

▲HUOMIO: Pidä työkalusta ja akusta tiukasti kiinni, kun irrotat tai kiinnität akkua. Jos akkupaketti tai työkalu putoaa, ne voivat vaurioitua tai aiheuttaa tapaturman.

- **Kuva1:** 1. Punainen merkkivalo 2. Painike 3. Akkupaketti

Irrota akku painamalla akun etupuolella olevaa painiketta ja vetämällä akku ulos työkalusta.

Akku liitetään sovittamalla akun kieleke rungon uraan ja työntämällä se sitten paikoilleen. Työnnä akku pohjaan asti niin, että kuulet sen napsahtavan paikoilleen. Jos painikkeen yläpuolella näkyy punainen ilmaisin, akku ei ole lukkiutunut täysin paikoilleen.

▲HUOMIO: Työnnä akku aina pohjaan asti, niin että punainen ilmaisin ei enää näy. Jos akku ei ole kunnolla paikallaan, se voi pudota työkalusta ja aiheuttaa vammoja joko sinulle tai sivullisille.

▲HUOMIO: Älä käytä voimaa akun asennuksessa. Jos akku ei liu'u paikalleen helposti, se on väärässä asennossa.

Akun jäljellä olevan varustason ilmaisimien

Vain akkupaketeille ilmaisimella

► **Kuva2:** 1. Merkkivalot 2. Tarkistuspainike

Painamalla tarkistuspainiketta saat näkyviin akun jäljellä olevan varauksen. Merkkivalot palavat muutaman sekunnin ajan.

Merkkivalot			Akussa jäljellä olevan varaus
Palaa	Pois päältä	Viikkuu	
			75% - 100%
			50% - 75%
			25% - 50%
			0% - 25%
			Lataa akku.
			Akussa on saattanut olla toimintahäiriö.


HUOMAA: Ilmoitettu varaustaso voi erota hieman todellisesta varaustasosta sen mukaan, millaisissa oloissa ja missä lämpötilassa laitetta käytetään.

Työkalun/akun suojausjärjestelmä

Työkalu on varustettu työkalu/akun suojausjärjestelmällä. Tämä järjestelmä pidentää työkalun ja akun käyttöikää katkaisemalla automaattisesti moottorin virran. Työkalu pysähtyy automaattisesti kesken käytön, jos työkalussa tai akussa ilmenee jokin seuraavista tilanteista:


Tila	Merkkivalot		
	Päällä	Pois päältä	Viikkuu
Ylikuormitus			
Ylikuumentuminen			
Yliihtyminen			

Ylikuormitusuoja


Jos laite on ylikuormittunut juuttuneiden oksien tai muiden riskien johdosta,  ja keski-ilmaisimet alkavat vilkkua ja laite sammuu automaattisesti. Katkaise tässä tilanteessa työkalusta virta ja lopeta ylikuormitustilan aiheuttanut käyttö. Käynnistä sitten työkalu uudelleen kytkemällä siihen virta.

HUOMAUTUS: Käyttöolosuhteista riippuen laite voi sammua automaattisesti ilman mitään ilmoitusta, jos juuttunut oksa tai roska aiheuttaa laitteen ylikuormittumisen. Kytke tällöin laite pois päältä, irrota akkupaketti ja irrota sitten juuttuneet oksat tai roskat pihdeillä tai muilla työkaluilla. Kun oksat tai roskat on poistettu, asenna akkupaketti paikalleen ja käynnistä laite uudelleen.

Työkalun tai akun ylikuumentumissuoja

Ylikuumentumistyyppejä on kaksi; työkalun ylikuumentuminen ja akun ylikuumentuminen. Kun työkalun ylikuumentuminen tapahtuu, kaikki nopeusilmaisimet vilkkuvat. Kun akun ylikuumentuminen tapahtuu,  -ilmaisimien vilkkuu. Jos ylikuumentuminen tapahtuu, työkalu pysähtyy automaattisesti. Anna työkalun ja/tai akun jäähtyä, ennen kuin kytket työkalun uudelleen päälle.

Ylipurkautumissuoja

Jos akun varaus käy vähiin, työkalu pysähtyy automaattisesti ja  -ilmaisimien vilkkuu. Jos laite ei toimi, vaikka kytkimiä käytetään, irrota akku laitteesta ja lataa se.

Kahvan kulman asettaminen

⚠HUOMIO: Varmista aina ennen käyttöä, että kahva on lukkiutunut haluttuun asentoon.

⚠HUOMIO: Älä avaa kahvan lukitusta vetämällä vipua alaspäin samalla, kun painat liipaisinkytkintä. Älä paina liipaisinkytkintä, kun vedät vipua alaspäin ja käännät kahvaa. Muutoin laitteessa voi ilmetä toimintahäiriö.

Voit asettaa kahvan kulmaksi 0°, 45° tai 90° vasemmalle tai oikealle. Voit muuttaa kahvan kulmaa kääntämällä kahvaa samanaikaisesti, kun vedät vipua alaspäin, ja vapauttamalla sitten kahvan haluamaasi asentoon.

► **Kuva3:** 1. Vipua

Virtakytkimen toiminta

⚠VAROITUS: Käyttäjän turvallisuuden vuoksi laitteessa on lukitusvipu, joka estää sen käynnistämisen vahingossa. **ÄLÄ** koskaan käytä laitetta, jos se käynnistyy pelkästään kytkinvipua ja liipaisinkytkintä painamalla ilman, että lukitusvipu on painettu. Toimita laite valtuutettuun huoltoon korjattavaksi ENNEN kuin jatkat sen käyttöä.

⚠VAROITUS: **ÄLÄ** koskaan teippaa tai ohita lukitusvipua.

⚠VAROITUS: Varmista aina ennen akkupaketin asentamista laitteeseen, että liipaisinkytkin ja kytkinvipu toimivat moitteettomasti ja palautuvat vapautettaessa asentoon "OFF". Jos laitetta käytetään, vaikka kytkin ei toimi moitteettomasti, seurauksena voi olla vakava henkilövahinko.

⚠HUOMIO: Älä koskaan pidä sormeja kytkimellä kantaessaasi työkalua. Työkalu voi käynnistyä odottamattomasti ja aiheuttaa tapaturman.

HUOMAUTUS: Älä vedä liipaisinkytkimestä voimakkaasti, ellet samalla paina lukituksen vapautusvivusta. Kytkin voi rikkoutua.

Kytke laitteeseen virta pitämällä päävirtapainiketta painettuna. Virran merkkivalo syttyy, kun laite kytketään päälle. Katkaise laitteen virta pitämällä päävirtapainiketta uudelleen painettuna. Virran merkkivalo sammuu, kun laite kytketty pois päältä.

► **Kuva4:** 1. Virran merkkivalo 2. Päävirtapainike

HUOMAA: Laite sammuu automaattisesti, jos se on käyttämättä tietyn aikaa.







Laitteessa on lukitusvipu, joka estää liipaisinkytkimen painamisen vahingossa. Käynnistä laite painamalla lukitusvipua alas ja painamalla sitten kytkinvipua ja liipaisinkytkintä. Mitä voimakkaammin liipaisinkytkintä painetaan, sitä nopeammin terä pyörii. Pysäytä vapauttamalla liipaisinkytkin.

► **Kuva5:** 1. Kytkinvipu 2. Lukitusvipu
3. Liipaisinkytkin

Nopeuden säätö

Voit säätää työkalun nopeutta napauttamalla päävirtapainiketta. Nopeustaso muuttuu joka kerta kun kosketat päävirtapainikkeeseen.

► **Kuva6:** 1. Virran merkkivalo 2. Päävirtapainike

Ilmaisimien tila	Tila	Käyntinopeus
 	Korkea	4 400 min ⁻¹
 	Keskitaso	3 600 min ⁻¹
 	Pieni	2 000 min ⁻¹

Suunnanvaihtopainike roskien irrottamiseen

⚠VAROITUS: Jos juuttuneiden oksien tai roskien poistaminen ei onnistu liikesuuntaa vaihtamalla, kytke tällöin laite pois päältä, irrota akkupaketti ja irrota sitten juuttuneet oksat tai roskat pihdeillä tai muilla työkaluilla. Jos laitteen virtaa ei katkaista eikä akkupakettia irroteta, laite voi käynnistyä vahingossa ja aiheuttaa vakavia henkilövahinkoja. Juuttuneiden oksien tai roskien poistaminen käsin voi aiheuttaa vammoja, koska leikkuuterä voi liikkua oksan tai roskan poistamisen seurauksena.

Tässä laitteessa on suunnanvaihtopainike, jolla voi vaihtaa leikkuuterän liikesuunnan. Se on tarkoitettu vain laitteeseen juuttuneiden oksien ja roskien irrottamiseen. Leikkuuterän liikesuunta vaihdetaan napauttamalla suunnanvaihtopainiketta, kun leikkuuterä on pysähtynyt, ja painamalla sitten kytkinvipua ja liipaisinkytkintä samalla, kun lukitusvipu on painettuna. Virran merkivalo alkaa vilkkua ja leikkuuterä liikkuu vastakkaiseen suuntaan. Kun juuttuneet oksat ja roskat ovat irronneet, laitteen liikesuunta palautuu normaaliksi ja virran merkivalo lakkaa vilkkumasta ja alkaa palaa yhtäjaksoisesti.

► **Kuva7:** 1. Suunnanvaihtopainike

HUOMAA: Jos juuttuneiden oksien tai roskien irrottaminen ei onnistu vapautaa liipaisinkytkin ja paina sitä uudelleen, kunnes oksat tai roskat irtoavat.

HUOMAA: Jos napautat suunnanvaihtopainiketta laitteen leikkuuterän liikuessa, laite pysähtyy ja on valmis liikesuunnan vaihtamiseen.

KOKOONPANO

▲HUOMIO: Varmista aina ennen mitään työkalulle tehtäviä toimenpiteitä, että se on sammutettu ja akku irrotettu.

▲HUOMIO: Leikkuuterän vaihtamisen aikana tulee aina käyttää käsineitä, jotta terä ei pääse kosketuksiin paljaiden käsien kanssa.

HUOMAUTUS: Leikkuuterien vaihdon aikana älä pyyhi rasvaa pois hammaspyöristä ja kammesta.

Leikkuuterän kiinnittäminen ja irrottaminen

▲HUOMIO: Kiinnitä teräsuojus paikalleen ennen leikkuuterien irrottamista tai asentamista.

Laitteeseen voi asentaa 500 mm:n, 600 mm:n tai 750 mm:n leikkuuterän.

1. Aseta laite ylösalaisin ja irrota 6 ruuvia.
► **Kuva8:** 1. Ruuvi

2. Irrota suoja ja levy.
► **Kuva9:** 1. Suoja 2. Levy

HUOMAA: Levy voi jäädä suojukseen.

3. Irrota silmukkatanko.
► **Kuva10:** 1. Silmukkatanko

HUOMAA: Silmukkatanko voi jäädä suojukseen.

4. Irrota 2 ruuvia, huopatyyyny, aluslevyt ja holkit ja irrota sitten leikkuuterät.

► **Kuva11:** 1. Huopatyyyny 2. Ruuvi 3. Aluslevy 4. Holkki 5. Leikkuuterä

5. Irrota teräkotelot.

6. Aseta teräkotelot uuteen leikkuuterään.

7. Säädä kampea niin, että 2 reikää ovat linjassa kohdistuslinjan kanssa.

► **Kuva12:** 1. Reikä 2. Kohdistuslinja

8. Aseta leikkuuterien ulokkeet samaan asentoon pystysuunnassa.

► **Kuva13:** 1. Uloke

9. Aseta huopatyyyny paikalleen leikkuuterään.

► **Kuva14:** 1. Huopatyyyny

10. Aseta leikkuuterässä oleva uloke silmukkatangon reikään, kohdistu huopatyyynyn asento laitteen reikien kanssa ja aseta sitten uudet holkit ja aluslevyt paikoilleen.

► **Kuva15:** 1. Uloke 2. Reikä 3. Huopatyyyny 4. Aluslevy 5. Holkki

HUOMAUTUS: Levitä pieni määrä rasvaa silmukkatangon sisäpiirille.

HUOMAUTUS: Varo, ettet hävittä aluslevyjä ja holkkeja.

11. Kohdistu leikkuuterän reiät laitteen reikien kanssa ja kiinnitä sitten leikkuuterä kiristämällä 2 ruuvia.

► **Kuva16:** 1. Ruuvi 2. Reikä

12. Kiinnitä silmukkatanko.

► **Kuva17:** 1. Silmukkatanko 2. Pieni reikä

HUOMAUTUS: Levitä pieni määrä rasvaa silmukkatangon pienen reiän sisäpiirille.

HUOMAUTUS: Varmista, että leikkuuterän uloke sopii silmukkatangon pieneen reikään.

13. Kiinnitä levy.

► **Kuva18:** 1. Uloke 2. Levy

HUOMAUTUS: Varmista, että leikkuuterän uloke sopii silmukkatangon reikään.

14. Kiinnitä suoja ja kiristä sitten 6 ruuvia.

► **Kuva19:** 1. Suoja 2. Ruuvi

HUOMAUTUS: Varmista, että 2 pitkä ruuvia tulevat keskimmäisiin reikiin.

HUOMAUTUS: Jos leikkuuterät eivät liiku sujuvasti, ne eivät ole kytkeytyneet silmukkatankoon oikealla tavalla. Asenna leikkuuterät uudelleen.

HUOMAUTUS: Jos leikkuuterien lisäksi muut osat, kuten silmukkatanko, kuluvat, kysy varaosia tai huoltopalveluja valtuutetusta Makita-huoltoliikkeestä.

Lehdenkerääjän asentaminen ja irrottaminen

Lisävaruste

▲HUOMIO: Käytä aina lehdenkerääjää kiinnittämisen tai irrottamisen aikana käsineitä, jotta leikkuuterä ei pääse kosketuksiin paljaiden käsien kanssa.

HUOMAUTUS: Teräkoteloa ei voi asentaa, kun lehdenkerääjä on asennettuna laitteeseen. Irrota lehdenkerääjä ja aseta teräkotelot paikalleen ennen laitteen kantamista tai varastointia.

HUOMAUTUS: Muista irrottaa teräkotelot, ennen kuin kiinnität lehdenkerääjän.

Lehdenkerääjä kerää jätelehdet ja helpottaa siivoamista jälkeensä. Se voidaan asentaa kummalle puolelle laitetta tahansa.

Kiinnitän lehdenkerääjää kohdistamalla sen kiinnikkeet leikkuuterässä olevien nuolimerkkien kanssa ja painamalla sitten lehdenkerääjää leikkuuterään niin, että kiinnikkeet asettuvat leikkuuterien uriin.

► **Kuva20:** 1. Kiinnike 2. Nuolimerkki

► **Kuva21:** 1. Kiinnike

HUOMAUTUS: Varmista, ettei lehdenkerääjä tule päällekkäin kärkisuojuksen kanssa.

► **Kuva22:** 1. Kärkisuojaus

Lehdenkerääjää irrotetaan painamalla sen molemmilla puollilla olevia vipuja kiinnikkeiden vapauttamiseksi.

► **Kuva23:** 1. Vipu

HUOMAUTUS: Älä yritä irrottaa lehdenkerääjää väkisin, kun sen kiinnikkeet ovat lukittuneina leikkuuterän urissa.

TYÖSKENTELY

VAROITUS: Pidä kädet poissa leikkuuterän ulottuvilta.

HUOMIO: Vältä laitteen käyttämistä erittäin kuumissa sääolosuhteissa. Vältä yliarasittumista, kun käytät laitetta.

HUOMIO: Huolehdi, että leikkurin terä ei osu metalliaitaan tai muuhun kovaan esineeseen työskentelyn aikana. Muutoin leikkuuterä voi rikkoontua ja aiheuttaa vammoja.

HUOMIO: Älä anna leikkuuterien koskettaa maata laitteen käytön aikana. Laitte voi aiheuttaa takaiskun ja aiheuttaa tapaturmia.

HUOMIO: Pensasleikkurin kanssa kurkottelemisen, erityisesti tikkailla seisottaessa on erittäin vaarallista. Älä käytä leikkuria epävakailla alustoilla.

HUOMAUTUS: Älä leikkaa tällä leikkurilla halkaisijaltaan yli 10 mm:n oksia. Leikkaa oksat oksaksilla 10 cm alemmaksi kuin itse leikkuukorkeus ennen tämän laitteen käyttämistä.

► **Kuva24:** (1) Leikkuukorkeus (2) 10 cm

HUOMAUTUS: Älä leikkaa kuoilleita puita tai mitään vastaavia kovia kohteita. Muussa tapauksessa laite voi vaurioitua.

HUOMAUTUS: Älä leikkaa nurmikkoa tai rikkaruohoja leikkuuterällä. Ruoho tai rikkaruohot voivat takertua leikkuuterään.

Pidä laitteesta kiinni molemmilla käsillä, paina kytkinvipua ja liipaisinkytkintä samalla, kun pidät lukitusvipua painettuna, ja liikuta tämän jälkeen laitetta eteenpäin.

► **Kuva25**

Perustasoitus tapahtuu siten, että leikkuuterää kallistetaan leikkuusuuntaan samalla, kun terää liikutetaan rauhallisesti ja hitaasti eteenpäin nopeudella 3–4 sekuntia/metri.

► **Kuva26**

Pensaan tasoittamista helpottaa, kun sen päälle sidotaan halutulle leikkuukorkeudelle ohjauslanka, jota seuraten pensas leikataan.

► **Kuva27**

Jos lehdenkerääjä on kiinnitetty leikkuuterään, se kerää jättelehdet ja helpottaa siivoamista jälkeensä.

► **Kuva28**

Leikkaa pensaan sivut tasaiseksi aloittamalla alhaalta ylöspäin.

► **Kuva29**

Leikattaessa pyöreitä muotoja (puksipuu tai alppiruusu jne.), leikkaa juuresta ylöspäin kauniin lopputuloksen saavuttamiseksi.

► **Kuva30**

KUNNOSSAPITO

HUOMIO: Varmista aina ennen tarkastusta tai huoltoa, että työkalu on sammutettu ja akku irrotettu.

Tuotteen TURVALLISUUDEN ja LUOTETTAVUUDEN takaamiseksi korjaukset, muut huoltotyöt ja säädöt on teetettävä Makitan valtuutetussa huoltopisteessä Makitan varaosia käyttäen.

Laitteen puhdistaminen

Puhdista laite pyyhkimällä pölyt kuivalla liinalla tai kostuta liina saippuaveteen ja rutista kuivaksi.

HUOMAUTUS: Älä koskaan käytä bensiiniä, ohenteita, alkoholia tai tms. aineita. Muutoin pinta voi halkeilla tai sen värit ja muoto voivat muuttua. Muutoin laitteeseen voi tulla värjäytyymiä, muodon vääristymiä tai halkeamia.

Leikkuuterän huolto

Lisää ennen käyttöä ja käytön aikana tunnin välein matalaviskositeettistä öljyä (koneöljyä tai suihkutettavaa voiteluöljyä) leikkuuterään.

► **Kuva31**

Puhdista käytön jälkeen leikkuuterän molemmat puolet pölystä metalliharjalla, pyyhi leikkuuterä rievulla ja levitä terään sitten matalaviskositeettistä öljyä (koneöljyä tai suihkutettavaa voiteluöljyä).

► **Kuva32**

HUOMAUTUS: Älä pese leikkuuterää vedellä. Se voi aiheuttaa ruostumista tai vaurioittaa laitetta.

HUOMAUTUS: Lika ja korrosio aiheuttavat terien liikkakitkaisuuden ja lyhentävät käyttöaikaa jokaisen akun latauksen yhteydessä.

Säilytys

Laitteen pohjassa on ripustusreikä, josta laitteen voi kätevästi ripustaa seinässä olevaan naulaan tai ruuviin. Käytä teräsuojusta, jotta leikkuuterät eivät ole paljaana. Säilytä laitetta lasten ulottumattomissa. Säilytä laitetta paikassa, missä se ei altistu kosteudelle tai sateelle.

► **Kuva33:** 1. Reikä

Leikkuuterän teroittaminen

HUOMAUTUS: Jos teroittaminen vääntää leikkuuterän teriä huomattavasti, vaihda leikkuuterä uuteen.

1. Kiinnitä akkupaketti laitteeseen.
2. Käynnistä laite ja käytä sitä sen verran, että leikkuuterän ylä- ja alaterät asettuvat limittäin.

► **Kuva34**

3. Sammuta laite ja irrota akkupaketti.
4. Irrota ensin ruuvi ja sitten kärkisuojus.

► **Kuva35:** 1. Ruuvi 2. Kärkisuojus

5. Aseta viila 45° kulmaan ja teroita yläterän 3 reunaa.

► **Kuva36:** (1) Viila (2) 45°

HUOMIO: Varmista ennen leikkuuterän teroittamista, että laite on sammutettu ja akkupaketti on irrotettu siitä.

6. Käännä laite ylösalaisin ja irrota sitten leikkuuterän jäysteet viilalla.

► **Kuva37:** 1. Viila

7. Aseta viila 45° kulmaan ja teroita alaterän 3 reunaa.

8. Käännä laite takaisin normaaliasentoon ja irrota sitten leikkuuterän jäysteet viilalla.

9. Kiinnitä kärkisuojus paikalleen kiristämällä ruuvi.

Voitelurasvan lisääminen

Voiteluväli:100 käyttötuntia

1. Irrota 3 ruuvia ja irrota sitten alasuojus.

► **Kuva38:** 1. Ruuvi 2. Alasuojus

2. Irrota rasva-annostelijan korkki ja kiinnitä rasva-annostelija sitten suojuksessa olevaan reikään rasva-annostelijaa kääntämällä.

► **Kuva39:** 1. Suojus 2. Rasva-annostelija

3. Lisää laitteeseen rasvaa (ohjearvoisesti noin 5 g).

4. Irrota rasva-annostelija.

5. Kiinnitä alasuojus ja kiristä sitten 3 ruuvia.

LISÄVARUSTEET

HUOMIO: Seuraavia lisävarusteita tai laitteita suositellaan käytettäväksi tässä ohjeessa kuvatun Makita-työkalun kanssa. Muiden lisävarusteiden tai laitteiden käyttö voi aiheuttaa henkilövahinkoja. Käytä lisävarusteita ja -laitteita vain niiden käyttötarkoituksen mukaisesti.

Jos tarvitset apua tai yksityiskohtaisempia tietoja seuraavista lisävarusteista, ota yhteys paikalliseen Makitan huoltoon.

- Leikkuuteräkokonaisuus
- Leikkuuteräsuojus
- Lehdenkerääjä
- Rasva-annostelija
- Aito Makita-akku ja -laturi

HUOMAA: Jotkin luettelossa mainitut varusteet voivat sisältyä työkalun toimitukseen vakiovarusteina. Ne voivat vaihdella maittain.

SPECIFIKĀCIJAS

Modelis:	DUH501	DUH601	DUH751
Asmens garums	500 mm	600 mm	750 mm
Gājienu skaits minūtē	0–4 400 min ⁻¹		
Kopējais garums	1 016 mm	1 121 mm	1 261 mm
Nominālais spriegums	Līdzstrāva 18 V		
Neto svars	3,8–4,5 kg		

Modelis:	DUH502	DUH602	DUH752
Asmens garums	500 mm	600 mm	750 mm
Gājienu skaits minūtē	0–4 400 min ⁻¹		
Kopējais garums	1 016 mm	1 121 mm	1 261 mm
Nominālais spriegums	Līdzstrāva 18 V		
Neto svars	3,8–4,5 kg		

- Nepārtrauktās izpētes un izstrādes programmas dēļ šeit uzrādītās specifikācijas var tikt mainītas bez brīdinājuma.
- Specifikācijas dažādās valstīs var atšķirties.
- Svārs var būt atšķirīgs atkarībā no papildierīces(-ēm), tostarp akumulatora kasetnes. Tabulā ir attēlota vieglākā un smagākā kombinācija atbilstoši EPTA procedūrai 01/2014.

Piemērotā akumulatora kasetne

BL1815N / BL1820 / BL1820B / BL1830 / BL1830B / BL1840 / BL1840B / BL1850 / BL1850B / BL1860B

- Dažas no iepriekš norādītajām akumulatora kasetnēm var nebūt pieejamas atkarībā no jūsu mītnes reģiona.

⚠ BRĪDINĀJUMS: Izmantojiet vienīgi iepriekš norādītās akumulatora kasetnes. Cita tipa akumulatora kasetņu izmantošana var radīt traumu un/vai aizdegšanās risku.

Simboli

Zemāk ir attēloti simboli, kas attiecas uz iekārtu. Pirms darbarīka izmantošanas pārliecinieties, vai pareizi izprotat to nozīmi.



Izlasiet lietošanas rokasgrāmatu.



Nepakļaujiet mitruma iedarbībai.

Ni-MH
Li-ion

Tikai ES valstīm
Neizmetiet elektroiekārtas vai akumulatoru mājāsaimniecības atkritumos!
Saskaņā ar Eiropas direktīvu par elektrisko un elektronisko iekārtu atkritumiem, kā arī par baterijām un akumulatoriem, un bateriju un akumulatoru atkritumiem un to īstenošanu saskaņā ar valsts likumdošanu lietotais elektriskais aprīkojums, baterijas un akumulators kalpošanas laika beigās jāsavāc atsevišķi un jānogādā atbilstoši pārstrādei vidi saudzējošā veidā.

Paredzētā lietošana

Šis darbarīks ir paredzēts dzīvzogu apgriešanai.

Troksņa līmenis

Attiecīgais standarts : EN60745-2-15

Modelis	Skaņas spiediena līmenis		Skaņas jaudas līmenis	
	L _{pa} (dB(A))	Nenoteiktība (K) (dB(A))	L _{pa} (dB(A))	Nenoteiktība (K) (dB(A))
DUH501	84	3	97	3
DUH601	82	3	95	3
DUH751	84	3	97	3
DUH502	81,3	3	86,8	3
DUH602	82,1	3	87,4	3
DUH752	80,5	3	87,8	3

PIEZĪMĒ: Paziņotā trokšņa emisijas vērtība noteikta atbilstoši standartā pārbaudes metodei, un to var izmantot, lai salīdzinātu vienu darbarīku ar citu.

PIEZĪMĒ: Paziņoto trokšņa emisijas vērtību arī var izmantot iedarbības sākotnējā novērtējumā.

▲BRĪDINĀJUMS: Lietojiet ausu aizsargus.

▲BRĪDINĀJUMS: Trokšņa emisija patiesos darba apstākļos var atšķirties no paziņotās vērtības atkarībā no darbarīka izmantošanas veida un jo īpaši atkarībā no apstrādājamā materiāla veida.

▲BRĪDINĀJUMS: Lai aizsargātu lietotāju, nosakiet drošības pasākumus, kas pamatoti ar iedarbību reālos darba apstākļos (ņemot vērā visus ekspluatācijas cikla posmus, piemēram, laiku, kamēr darbarīks ir izslēgts un kad darbojas tukšgaitā, kā arī palaišanas laiku).

Vibrācija

Vibrācijas kopējā vērtība (trīsasu vektora summa) noteikta atbilstoši EN60745-2-15:

Modelis DUH501

Vibrācijas izmēte (a_h): 2,5 m/s²
Mainīgums (K): 1,5 m/s²

Modelis DUH601

Vibrācijas izmēte (a_h): 2,5 m/s² vai mazāk
Mainīgums (K): 1,5 m/s²

Modelis DUH751

Vibrācijas izmēte (a_h): 2,5 m/s²
Mainīgums (K): 1,5 m/s²

Modelis DUH502

Vibrācijas izmēte (a_h): 2,5 m/s²
Mainīgums (K): 1,5 m/s²

Modelis DUH602

Vibrācijas izmēte (a_h): 2,5 m/s² vai mazāk
Mainīgums (K): 1,5 m/s²

Modelis DUH752

Vibrācijas izmēte (a_h): 2,5 m/s² vai mazāk
Mainīgums (K): 1,5 m/s²

PIEZĪMĒ: Paziņotā kopējā vibrācijas vērtība noteikta atbilstoši standartā pārbaudes metodei, un to var izmantot, lai salīdzinātu vienu darbarīku ar citu.

PIEZĪMĒ: Paziņoto kopējo vibrācijas vērtību arī var izmantot iedarbības sākotnējā novērtējumā.

▲BRĪDINĀJUMS: Vibrācijas emisija patiesos darba apstākļos var atšķirties no paziņotās vērtības atkarībā no darbarīka izmantošanas veida un jo īpaši atkarībā no apstrādājamā materiāla veida.

▲BRĪDINĀJUMS: Lai aizsargātu lietotāju, nosakiet drošības pasākumus, kas pamatoti ar iedarbību reālos darba apstākļos (ņemot vērā visus ekspluatācijas cikla posmus, piemēram, laiku, kamēr darbarīks ir izslēgts un kad darbojas tukšgaitā, kā arī palaišanas laiku).

EK atbilstības deklarācija

Tikai Eiropas valstīm

EK atbilstības deklarācija šajā lietošanas rokasgrāmatā ir iekļauta kā A pielikums.

DROŠĪBAS BRĪDINĀJUMI

Vispārīgi elektrisko darbarīku drošības brīdinājumi

▲BRĪDINĀJUMS: Izlasiet visus drošības brīdinājumus, instrukcijas, apskatiet ilustrācijas un tehniskos datus, kas iekļauti mehanizētā darbarīka komplektācijā. Ja netiek ievēroti visi tālāk minētie noteikumi, var tikt izraisīta elektrotrauma, notikt aizdegšanās un/vai rasties smagas traumas.

Glabājiet visus brīdinājumus un norādījumus, lai varētu tajos ieskatīties turpmāk.

Termins „elektrisks darbarīks” brīdinājumos attiecas uz tādu elektrisko darbarīku, ko darbina ar elektrību (ar vadu), vai tādu, ko darbina ar akumulatoru (bez vada).

Drošības noteikumi bezvadu dzīvzoga apgriezējmašīnas lietošanai

1. **Visas korpusa detaļas turiet atsevišķi no griezējasmens.** Kad asmeņi kustas, neņemiet nost griešanas materiālu un neturiet griežamo materiālu. Izņemot iestrēgušu materiālu, pārliecinieties, ka slēdzis ir izslēgtā pozīcijā. Dzīvzoga griezēja lietošanas laikā īss neuzmanības brīdis var izraisīt nopietnus savainojumus.
2. **Dzīvzoga apgriezējmašīnu pārnēsājiet, turot aiz roktura, ar griezējasmehānismiem apturētā pozīcijā.** Transportējot vai glabājot dzīvzoga apgriezējmašīnu, vienmēr uzlieciet griezēja apvalku. Atbilstoša dzīvzoga apgriezējmašīnas izmantošana samazinās griezējasmens izraisīto iespējamo traumas risku.
3. **Veicot darbu, turiet mehanizēto darbarīku tikai pie izolētajām satveršanas virsmām, jo griezējasmens var saskarties ar apslēptu elektroinstalāciju.** Ja griezējasmens saskaras ar vadu, kurā ir strāva, mehanizētā darbarīka atklātās metāla virsmas var vadīt strāvu un radīt elektriskā strāvas trieciena risku.
4. **BĪSTAMI - Netuviniet rokas asmenim.** Saskaņoties ar asmeni, varat gūt smagas traumas.
5. **Dzīvzogu apgriezējmašīnu nelietojiet lietus laikā vai mitros un drēgnos apstākļos.** Elektromotors nav ūdensizturīgs.

6. Pirmajā lietošanas reizē lietotājiem ir jāpieaicina pieredzējis dzīvzoģu apgriezējmašīnas lietotājs, kas parādītu, kā apgriezējmašīna ir jālieto.
7. Dzīvzoģa apgriezējmašīnu nedrīkst izmantot bērni vai jaunieši, kas jaunāki par 18 gadiem. Jauniešus, kam ir vairāk par 16 gadiem, var neiekļaut šajā ierobežojumā, ja tie saņem apmācību speciālista uzraudzībā.
8. Dzīvzoģa apgriezējmašīnu lietotiet tikai, ja esat labā fiziskajā stāvoklī. Ja esat noguris, jūsu uzmanība būs samazināta. Īpaši uzmanīgs esiet darba dienas beigās. Visus darbus veiciet mierīgi un uzmanīgi. Lietotājs ir atbildīgs par visiem bojājumiem trešajai pusei.
9. Nekad nelietojiet apgriezējmašīnu alkohola, narkotisko vielu vai medikamentu ietekmē.
10. Dzīvzoģa apgriezējmašīnas pamata aprīkojumā ir ietverti izturīgas ādas darba cimdi, un darbarīka lietošanas laikā tie vienmēr ir jāvalkā. Uzvelciet arī stingrus apavus ar neslidošu zoli.
11. Pirms darba uzsākšanas pārbaudiet, lai pārliecinātos, ka apgriezējmašīna ir labā un drošā darba kārtībā. Nodrošiniet, lai aizsargi ir uzstādīti atbilstoši. Ja dzīvzoģa apgriezējmašīna nav pilnībā salikta, to nedrīkst lietot.
12. Pirms darba uzsākšanas pārliecinieties, ka stāvat uz drošas pamatnes.
13. Darba laikā stingri turiet darbarīku.
14. Lieki nedarbiniet darbarīku bez slodzes.
15. Ja griezējs saskaras ar sētu vai citu cietu priekšmetu, nekavējoties izslēdziet motoru un izņemiet akumulatora kasetni. Pārbaudiet, vai griezējam nav bojājumu, un, ja tas ir bojāts, nekavējoties salabojiet to.
16. Pirms griezēja pārbaudīšanas, bojājumu novēršanas vai griezēja iesprūdušo materiālu izņemšanas vienmēr izslēdziet apgriezējmašīnu un izņemiet akumulatora kasetni.
17. Pirms tehniskās apkopes veikšanas izslēdziet griezēju un izņemiet akumulatora kasetni.
18. Izņemiet akumulatora kasetni un uz griezējasmens uzlieciet asmens apvalku vienmēr, kad dzīvzoģa apgriezējmašīna tiek pārvietota uz citu vietu, arī darba laikā. Nekad nenesiet un netrāspējiet apgriezējmašīnu, ja griezējs darbojas. Griezēju nekad nedrīkst satvert ar rokām.
19. Pēc dzīvzoģa apgriezējmašīnas lietošanas un novietošanas glabāšanā uz ilgāku laiku periodu vienmēr iztīriet to, it īpaši griezēju. Nedaudz ieeļļojiet griezēju un uzlieciet apvalku. Ierīces komplektā ietverta apvalku var pakārt pie sienas, nodrošinot drošu un praktisku dzīvzoģa apgriezējmašīnas glabāšanu.
20. Dzīvzoģa apgriezējmašīnu glabājiet ar uzliktu apvalku un sausā telpā. Glabājiet to bērniem nepieejamā vietā. Nekad nēglabājiet apgriezējmašīnu ārā.
21. Nekādā gadījumā nevērsiet šķēru asmeņus pret sevi vai citiem.
22. Ja asmeņi apstājas, jo ekspluatācijas laikā starp asmeņiem iesprūduši svešķermeņi, izslēdziet darbarīku un izņemiet akumulatora kasetni, tad, izmantojot instrumentus, piemēram, knaibles, izņemiet svešķermeņus. Iespējams savainoties, izņemot svešķermeņus ar roku, jo izņemšanas laikā asmeņu darbība var izraisīt asmeņu kustēšanos.
23. Izvairieties no bīstamas vides. Darbarīku neizmantojiet mitrās vai slapjās vietās un lietū. Ja darbarīkā iekļūts ūdens, palielināsies elektrotraumas rašanās draudi.
24. Nemetiet akumulatoru ugunī. Elements var sprāgt. Skatiet attiecīgos valsts noteikumus, lai uzzinātu īpašus norādījumus izmešanai atkritumos.
25. Akumulatorus nedrīkst atvērt vai sabojāt. Iztiecējušais elektrolīts ir kodīgs un var nodarīt kaitējumu acīm vai ādai. Norijot tas var būt toksisks.
26. Nelādējiet akumulatoru lietū vai mitrās vietās.
27. Pirms darbarīka lietošanas pārbaudiet, vai dzīvzoģā vai krūmos neatrodas traucējoši priekšmeti, piemēram, stieplu žogs vai vadi.

SAGLABĀJIET ŠOS NORĀDĪJUMUS.

▲BRĪDINĀJUMS: NEPIELĀUJIET to, ka labu iemaņu vai izstrādājuma labas pārzināšanas (darbarīku atkārtoti ekspluatējot) rezultātā vairs stingri neievērojot šī izstrādājuma drošības noteikumus. NEPAREIZI LIETOJOT darbarīku vai neievērojot šajā instrukcijā rokasgrāmatā minētos drošības noteikumus, var tikt gūtas smagas traumas.

Svarīgi drošības norādījumi par akumulatora kasetni

1. Pirms akumulatora lietošanas izlasiet visus norādījumus un brīdinājumus, kuri attiecas uz (1) akumulatora lādētāju, (2) akumulatoru un (3) ierīci, kurā tiek izmantots akumulators.
 2. Neizjauciet akumulatoru.
 3. Ja akumulatora darbības laiks kļūva ievērojami īsāks, nekavējoties pārtrauciet to izmantot. Citādi, tas var izraisīt pārkarsējumu, uzliesmojumu vai pat sprādzienu.
 4. Ja elektrolīts nonāk acīs, izskalojiet tās ar tīru ūdens un nekavējoties griezieties pie ārsta. Tas var izraisīt redzes zaudēšanu.
 5. Neradiet īssavienojumu akumulatora kasetnē:
 - (1) Nepieskarieties spaiļēm ar elektrību vadošiem materiāliem.
 - (2) Neuzglabājiet akumulatoru kasetni kopā ar citiem metāla priekšmetiem, tādiem kā naglas, monētas u. c.
 - (3) Nepakļaujiet akumulatora kasetni ūdens vai lietus iedarbībai.
- Akumulatora īssavienojums var radīt spēcīgu strāvas plūsmu, pārkarsānu, uzliesmojumu un pat sabojāt akumulatoru.

6. Neglabājiet darbarīku un akumulatora kasetni vietās, kur temperatūra var sasniegt vai pārsniegt 50 °C (122 °F).

7. Nededziniet akumulatora kasetni, pat ja tā ir stipri bojāta vai pilnībā nolietota. Akumulatora kasetne ugunī var eksplodēt.
8. Uzmanieties, lai neļautu akumulatoram nokrist un nepakļautu to sitienam.
9. Neizmantojiet bojātu akumulatoru.
10. Uz izmantotajiem litija jonu akumulatoriem attiecas likumdošanas prasības par bīstamiem izstrādājumiem.

Komerציālā transportēšanā, ko veic, piemēram, trešās puses, transporta uzņēmumi, jāievēro uz iesaiņojuma un marķējuma norādītās īpašās prasības.

Lai izstrādājumu sagatavotu nosūtīšanai, jāsaziņās ar bīstamo materiālu speciālistu. Ievērojiet arī citus attiecināmos valsts normatīvus.

Vajājus kontaktus nosedziet ar līmlenti vai citādi pārklājiet, bet akumulatoru iesaiņojiet tā, lai sānīt tas nevarētu izkustēties.

11. Ievērojiet vietējos noteikumus par akumulatora likvidēšanu.
12. Izmantojiet šos akumulatorus tikai ar izstrādājumiem, kurus norādījis Makita. Ievietojot šos akumulatorus nesaderīgos izstrādājumos, var rasties ugunsgrēks, pārmērīgs karstums, tie var uzsprāgt vai no tiem var iztecēt elektrolīts.

SAGLABĀJIET ŠOS NORĀDĪJUMUS.

UZMANĪBU: Lietojiet tikai oriģinālos Makita akumulatorus. Ja lietojat neoriģinālus Makita akumulatorus vai pārveidotus akumulatorus, tie var uzsprāgt un izraisīt aizdegšanos, traumas un materiālos zaudējumus. Tikas anulēta arī Makita darbarīka un lādētāja garantija.

Ieteikumi akumulatora kalpošanas laika pagarināšanai

1. Uzlādējiet akumulatora kasetni, pirms tā ir pilnībā izlādējusies. Vienmēr, kad ievērojat, ka darbarīka darba jauda zudusi, apturiet darbarīku un uzlādējiet akumulatora kasetni.
2. Nekad neuzlādējiet pilnībā uzlādētu akumulatora kasetni. Pārmērīga uzlāde saīsina akumulatora kalpošanas laiku.
3. Uzlādējiet akumulatora kasetni istabas temperatūrā 10 °C - 40 °C. Karstai akumulatora kasetnei pirms uzlādes ļaujiet atdzist.
4. Uzlādējiet litija jonu akumulatora kasetni, ja to ilgstoši nelietosit (vairāk nekā sešus mēnešus).

FUNKCIJU APRAKSTS

UZMANĪBU: Pirms darbarīka regulēšanas vai tā darbības pārbaudes vienmēr pārļiecinieties, ka darbarīks ir izslēgts un akumulatora kasetne ir izņemta.

Akumulatora kasetnes uzstādīšana un izņemšana

UZMANĪBU: Vienmēr pirms akumulatora kasetnes uzstādīšanas vai noņemšanas izslēdziet darbarīku.

UZMANĪBU: Uzstādot vai izņemot akumulatora kasetni, darbarīku un akumulatora kasetni turiet cieši. Ja darbarīku un akumulatora kasetni netur cieši, tie var izkrist no rokām un radīt bojājumus darbarīkam un akumulatora kasetnei, kā arī izraisīt ievainojumus.

- **Att.1:** 1. Sarkanās krāsas indikators 2. Pogas 3. Akumulatora kasetne

Lai izņemtu akumulatora kasetni, izvelciet to no darbarīka, pārīdodot kasetnes priekšpusē esošo pogu.

Lai uzstādītu akumulatora kasetni, salāgojiet mēlīti uz akumulatora kasetnes ar rievu ietvarā un iebīdīet to vietā. Ievietojiet to līdz galam, līdz tā ar klikšķi nofiksējas. Ja pogas augšējā daļā redzams sarkanās krāsas indikators, tas nozīmē, ka tā nav pilnīgi fiksēta.

UZMANĪBU: Vienmēr ievietojiet akumulatora kasetni tā, lai sarkanais indikators nebūtu redzams. Pretējā gadījumā tā var nejauši izkrist no darbarīka un izraisīt jums vai apkārtējiem traumas.

UZMANĪBU: Neievietojiet akumulatora kasetni ar spēku. Ja kasetne neslīd ietvarā viegli, tā nav pareizi ielikta.

Atlikušās akumulatora jaudas indikators

Tikai akumulatora kasetnēm ar indikatoru

- **Att.2:** 1. Indikatora lampas 2. Pārbaudes pogas

Nospiediet akumulatora kasetnes pārbaudes pogu, lai pārbaudītu akumulatora atlikušo uzlādes līmeni. Indikatori iedegsies uz dažām sekundēm.

Indikatora lampas			Atlikusī jauda
lededzies	Izslēgts	Mirgo	
			No 75% līdz 100%
			No 50% līdz 75%
			No 25% līdz 50%
			No 0% līdz 25%
			Uzlādējiet akumulatoru.
			Iespējama akumulatora kļūme.

PIEZĪME: Reālā jauda vai nedaudz atšķirties no norādītās atkarībā no lietošanas apstākļiem un apkārtējās temperatūras.

Darbarīka/akumulatora aizsardzības sistēma

Darbarīkam ir darbarīka/akumulatora aizsardzības sistēma. Šī sistēma automātiski izslēdz strāvas padevi motoram, lai pagarinātu darbarīka un akumulatora darbmūžu. Lietošanas laikā darbarīks automātiski pārstās darboties, ja darbarīku vai akumulatoru pakļaus kādam no šādiem apstākļiem.

Statuss	Indikatora lampas		
	<input type="checkbox"/> Ieslēgts	<input type="checkbox"/> Izslēgts	<input type="checkbox"/> Mirgo
Pārslodze			
Pārkaršana			
Pārmērīga izlāde			

Aizsardzība pret pārslodzi

Ja darbarīks ir pārslodgots, jo tajā iekļērušies zari vai citi netīrumi, sāk mirgot un vidējie indikatori, un darbarīks automātiski pārstāj darboties. Šādā gadījumā darbarīku izslēdziet un pārtrauciet darbību, kas izraisīja darbarīka pārslodzi. Tad ieslēdziet darbarīku, lai atsāktu darbu.

IEVĒRĪBAI: Atkarībā no lietošanas apstākļiem, ja iekļērušies zari vai netīrumi izraisa darbarīka pārslodzi, tas automātiski izslēdzas bez jebkādam norādēm. Šādā gadījumā izslēdziet darbarīku un izņemiet akumulatora kasetni; tad ar instrumentiem, piemēram, knaiblēm, izņemiet iekļērušos zarus vai netīrumus. Kad zari vai netīrumi ir izņemti, ievietojiet akumulatora kasetni un ieslēdziet darbarīku.

Aizsardzība pret darbarīka vai akumulatora pārkaršanu

Ir divi pārkaršanas veidi: darbarīka pārkaršana un akumulatora pārkaršana. Kad darbarīks pārkarst, visi ātruma indikatori mirgo. Kad akumulators pārkarst, indikators mirgo.

Ja pārkaršis darbarīks, tas automātiski pārstāj darboties. Pirms atkārtotas ieslēgšanas ļaujiet darbarīkam un/vai akumulatoram atdzist.

Aizsardzība pret akumulatora pārmērīgu izlādi

Kad akumulatora uzlādes līmenis ir zems, darbarīks automātiski pārstāj darboties un sāk mirgot indikatorus. Ja darbarīks nedarbojas, pat ieslēdzot slēdžus, izņemiet no darbarīka akumulatoru un uzlādējiet akumulatoru.

Roktura leņķa iestatīšana

▲UZMANĪBU: Pirms darbarīka izmantošanas vienmēr pārbaudiet, vai rokturis ir nobloķēts vēlamajā stāvoklī.

▲UZMANĪBU: Nedrīkst vienlaicīgi vilkt uz leju roktura atbloķēšanas sviru un vilkt slēdža mēlīti. **Nedrīkst vienlaicīgi vilkt slēdža mēlīti un vilkt uz leju sviru, griežot rokturi.** Nieievērojot šos norādījumus, var sabojāt darbarīku.

Roktura leņķi var iestatīt 0°, 45° vai 90° leņķī pa kreisi vai pa labi. Lai izmainītu roktura leņķi, velciet uz leju sviru un grieziot rokturi; tad atlaidiet sviru.

► **Att.3:** 1. Svira

Ieslēgšanas slēdža darbība

▲BRĪDINĀJUMS: Jūsu drošības labad šim darbarīkam ir atbloķēšanas svira, kas novērš darbarīka nejašu iedarbināšanu. **NEKAD** nelietojiet darbarīku, ja tas darbojas, vienkārši nospiežot slēdža sviru un pavelkot slēdža mēlīti, bet nospiežot atbloķēšanas sviru. **PIRMS** turpmākas lietošanas nododiet darbarīku mūsu pilnvarotajā apkopes centrā, lai veiktu pienācīgu remontu.

▲BRĪDINĀJUMS: **NEKAD** nenovērtējiet par zemu un neignorējiet atbloķēšanas sviras mērķi un funkcijas.

▲BRĪDINĀJUMS: Pirms akumulatora kasetnes ievietošanas darbarīkā vienmēr pārbaudiet, vai slēdža mēlīte un slēdža svira darbojas pareizi un pēc atlaišanas atgriežas pozīcijā „OFF” (izslēgts). Lietojot darbarīku, kura slēdzis nedarbojas pareizi, darbarīks var kļūt nevadāms un radīt nopietnas traumas.

▲UZMANĪBU: Kad darbarīku pārnēsājat, nekad nenovietojiet pirkstu uz slēdža. Darbarīks var sākt nejašu darboties un izraisīt traumas.

IEVĒRĪBAI: Nevelciet slēdža mēlīti ar spēku, nospiežot atbloķēšanas sviru. Citādi var sabojāt slēdzi.

Turiet nospiestu galveno ieslēgšanas pogu, lai ieslēgtu darbarīku. Kad darbarīks ir ieslēgts, iedegas ieslēgšanas indikators. Lai darbarīku izslēgtu, vēlreiz turiet nospiestu galveno ieslēgšanas pogu. Kad darbarīks ir izslēgts, ieslēgšanas indikators nodzies.

► **Att.4:** 1. Ieslēgšanas indikators 2. Galvenā ieslēgšanas poga

PIEZĪME: Ja darbarīks noteiktu laiku netiek lietots, tas automātiski izslēdzas.

Lai nevarētu nejaši pavilkt slēdža mēlīti, ir uzstādīta atbloķēšanas svira. Lai iedarbinātu darbarīku, nospiediet atbloķēšanas sviru, nospiediet slēdža sviru un pavelciet slēdža mēlīti. Darbarīka darbības ātrums palielinās, stiprāk nospiežot slēdža mēlīti. Lai apturētu darbarīku, atlaidiet slēdža mēlīti.




► **Att.5:** 1. Slēdža svira 2. Atbloķēšanas svira 3. Slēdža mēlīte

Ātruma regulēšana

Darbarīka ātrumu var regulēt, pieskaroties galvenajai ieslēgšanas pogai.

Katru reizi, pieskaroties galvenajai ieslēgšanas pogai, ātruma līmenis mainīsies.

► **Att.6:** 1. Ieslēgšanas indikators 2. Galvenā ieslēgšanas poga

Indikators	Režīms	Kustības ātrums
	Liels ātrums	4 400 min ⁻¹
	Vidējs	3 600 min ⁻¹
	Mazs	2 000 min ⁻¹

Virziena maiņas poga netīrumu izņemšana

▲BRĪDINĀJUMS: Ja, pārslēdzot atpakaļgaitā, neizdodas atbrīvot iestrēgušos zarus vai netīrumus, izslēdziet darbarīku un izņemiet akumulatora kasetni; tad ar instrumentiem, piemēram, knaiblēm, izņemiet iekērušos zarus vai netīrumus. Ja darbarīku neizslēdz un neizņem akumulatora kasetni, tad nejaušas ieslēgšanas gadījumā ir iespējams gūt nopietnus savainojumus. Ja iestrēgušie zari vai netīrumi tiek izņemti ar roku, ir iespējams gūt savainojumus, jo, velkot ārā zarus, šķēru asmeņi var izkustēties.

Šis darbarīks ir aprīkots ar atpakaļgaitas pogu, kas ļauj mainīt šķēru asmeņu kustības virzienu. Tā paredzēta tikai darbarīkā iekērušos zaru un netīrumu izņemšanai. Lai pārslēgtu šķēru asmeņus atpakaļgaitā, nospiediet atpakaļgaitas pogu, kad šķēru asmeņi ir apturēti; nospiediet slēdža sviru un pavelciet slēdža mēlīti, nospiežot atbloķēšanas sviru. Ieslēgšanas indikators sāks mirgot, un šķēru asmeņi kustas pretējā virzienā. Kad iestrēgušie zari un netīrumi ir izņemti, darbarīks pārslēdzas normālā darba virziena režīmā; ieslēgšanas indikators pārstāj mirgot un izgaismojas.

► **Att.7:** 1. Virziena maiņas poga

PIEZĪME: Ja iestrēgušos zarus vai netīrumus neizdodas atbrīvot, atlaidiet un pavelciet slēdža mēlīti, līdz tie ir atbrīvoti.

PIEZĪME: Ja atpakaļgaitas pogai pieskaras, kamēr šķēru asmeņi joprojām darbojas, darbarīks pārstāj darboties un ir gatavs darbībai pretējā virzienā.

MONTĀŽA

▲UZMANĪBU: Pirms darbarīka regulēšanas vai apkopes vienmēr pārliecinieties, ka darbarīks ir izslēgts un akumulatora kasetne ir izņemta.

▲UZMANĪBU: Mainot šķēru asmeņus, vienmēr uzvelciet cimdus, lai rokām nebūtu tiešas saskares ar asmeņiem.

IEVĒRĪBAI: Šķēru asmeņu nomainīšanas gadījumā nenoslaukiet smērvielu no pārvadmehānisma un palaišanas kloķa.

Šķēru asmeņu uzstādīšana vai noņemšana

▲UZMANĪBU: Pirms šķēru asmeņu noņemšanas vai uzstādīšanas uzstādiet asmeņu apvalku.

Savam darbarīkam varat uzstādīt 500 mm, 600 mm vai 750 mm šķēru asmeņus.

1. Novietojiet darbarīku otrādi un izskrūvējiet 6 skrūves.

► **Att.8:** 1. Skrūve

2. Noņemiet apvalku un plāksni.

► **Att.9:** 1. Apvalks 2. Plāksne

PIEZĪME: Plāksne var palikt uz pārsega.

3. Izņemiet stieni.

► **Att.10:** 1. Stienis

PIEZĪME: Stienis var palikt uz pārsega.

4. Izskrūvējiet 2 skrūves, noņemiet filca pamatni, starplikas un uzmavas un pēc tam izņemiet šķēru asmeņus.

► **Att.11:** 1. Filca pamatne 2. Skrūve 3. Paplāksne 4. Uzmava 5. Šķēru asmeņi

5. Noņemiet asmens apvalku.

6. Uzlieciet asmens apvalku uz jaunajiem šķēru asmeņiem.

7. Noregulējiet kloķi tā, lai 2 atveres būtu savietotas uz savietošanas līnijas.

► **Att.12:** 1. Atvere 2. Savietošanas līnija

8. Novietojiet izvirdījumus uz šķēru asmeņiem vertikāli vienādās pozīcijās.

► **Att.13:** 1. Izvirdījums

9. Pievienojiet šķēru asmeņiem filca pamatni.

► **Att.14:** 1. Filca pamatne

10. Ievietojiet šķēru asmeņu izvirdījumus atverē uz stieņa, tad savietojiet filca pamatnes pozīciju ar atverēm darbarīkā un piestipriniet starplikas un uzmavas.

► **Att.15:** 1. Izvirdījums 2. Atvere 3. Filca pamatne 4. Paplāksne 5. Uzmava

IEVĒRĪBAI: Stieņa atveres iekšpusē visapkārt uzklājiet nelielu smērvielas daudzumu.

IEVĒRĪBAI: Nepazaudējiet starplikas un uzmavas.

11. Savietojiet atveres uz šķēru asmeņiem ar atverēm uz darbarīka; tad ieskrūvējiet 2 skrūves, lai nofiksētu šķēru asmeņus.

► **Att.16:** 1. Skrūve 2. Atvere

12. Pievienojiet stieni.

► **Att.17:** 1. Stienis 2. Mazā atvere

IEVĒRĪBAI: Stieņa mazās atveres iekšpusē visapkārt uzklājiet nelielu smērvielas daudzumu.

IEVĒRĪBAI: Pārliecinieties, ka izvirzījums uz šķēru asmeņiem ievietojas mazajā atverē uz stieņa.

13. Pievienojiet plāksni.

► **Att.18:** 1. Izvirzījums 2. Plāksne

IEVĒRĪBAI: Pārliecinieties, ka izvirzījums uz šķēru asmeņiem ievietojas plāksnes atverē.

14. Pievienojiet apvalku un ieskrūvējiet 6 skrūves.

► **Att.19:** 1. Apvalks 2. Skrūve

IEVĒRĪBAI: Noteikti pievienojiet centrālajās atverēs 2 garas skrūves.

IEVĒRĪBAI: Ja šķēru asmeņi nekustas laideni, tie nav pareizi savietoti ar stieņiem. Vēlreiz uzstādiēt šķēru asmeņus.

IEVĒRĪBAI: Ja ir nolietotās kādas detaļas, kas nav šķēru asmeņi (piemēram, stieņi), vēršieties „Makita” pilnvarotos apkopes centros, lai iegūtu maiņas detaļas vai veiktu remontu.

Atgriezumam savācēja uzstādīšana vai noņemšana

Papildpiederumi

UZMANĪBU: Uzliekot vai noņemot atgriezumam savācēju, vienmēr uzvelciet cimdus, lai rokām nebūtu tiešas saskares ar šķēru asmeņiem.

IEVĒRĪBAI: Asmens apvalku nevar uzstādīt, ja darbarīkam ir uzstādīts atgriezumam savācējs. Pirms darbarīka pārnēsāšanas vai glabāšanas noņemiet atgriezumam savācēju un uzlieciet asmens apvalku, lai nepieļautu saskaršanos ar asmeni.

IEVĒRĪBAI: Pirms atgriezumam savācēja uzstādīšanas noņemiet asmens apvalku.

Atgriezumam savācējā tiek savāktas apgrieztās lapas, un pēc tam ir daudz vieglāk sakt darba vietu. To var uzstādīt jebkurā darbarīka pusē.

Lai uzstādītu atgriezumam savācēju, savietojiet atgriezumam savācēja āķus ar bultu atzīmēm uz šķēru asmeņiem un tad spiediet atgriezumam savācēju pret šķēru asmeņiem tā, lai āķi ievietotos rievās uz šķēru asmeņiem.

► **Att.20:** 1. Āķis 2. Bultiņas atzīme

► **Att.21:** 1. Āķis

IEVĒRĪBAI: Pārliecinieties, ka atgriezumam savācējs nepārklāj smailes aizsargu.

► **Att.22:** 1. Smailes aizsargs

Lai noņemtu atgriezumam savācēju, nospiediet sviras abās pusēs, lai atbrīvotu āķus.

► **Att.23:** 1. Svira

IEVĒRĪBAI: Nemēģiniet noņemt atgriezumam savācēju ar pārmērīgu spēku, ja tā āķi ir nofiksēti šķēru asmeņu rievās.

EKSPLUATĀCIJA

BRĪDINĀJUMS: Nelieciet rokas šķēru asmeņu tuvumā.

UZMANĪBU: Pēc iespējas nelietojiet darbarīku ļoti karstā laikā. Lietojot darbarīku, ņemiet vērā savu fizisko stāvokli.

UZMANĪBU: Griešanas laikā uzmanieties, lai nejauši nesaskartos ar metāla sētu vai citiem cietiem priekšmetiem. Šķēru asmeņi var salūzt un izraisīt nopietnus savainojumus.

UZMANĪBU: Uzmanieties, lai šķēru asmeņi nesaskartos ar zemi. Darbarīks var atsisties un radīt nopietnus savainojumus.

UZMANĪBU: Stiepšanās pāri kaut kam ar dzīvzogu apgrīzējumašīnu, it īpaši no pieslienamajām kāpnēm, ir ļoti bīstama. Neveiciet darbu, stāvod uz nestabiliem un neizturīgiem objektiem.

IEVĒRĪBAI: Ar šo darbarīku nemēģiniet nogriezt zarus, kuru diametrs pārsniedz 10 mm. Pirms darbarīka izmantošanas vispirms ar zaru šķērēm nogrieziet zarus 10 cm zemāk nekā griešanas augstums.

► **Att.24:** (1) Griešanas augstums (2) 10 cm

IEVĒRĪBAI: Negrieziet nokaltušus kokus vai līdzīgus cietus priekšmetus. Tādējādi varat sabojāt darbarīku.

IEVĒRĪBAI: Ar šķēru asmeņiem negrieziet zāli vai nezāles. Šķēru asmeņi var sapīties zālē vai nezālēs.

Ar abām rokām turiet darbarīku, nospiediet slēdža sviru un pavelciet slēdža mēlīti, vienlaicīgi spiežot atbloķēšanas sviru; virziet darbarīku uz priekšu.

► **Att.25**

Pamata darbībai sasveriet šķēru asmeņus griešanas virzienā un lēnām un mierīgi pārvietojiet tos ar ātrumu no 3 līdz 4 sekundēm metrā.

► **Att.26**

Lai līdzeni apgrieztu dzīvzoga augšpusi, vēlamajā augstumā novelciet auklu un griežiet gar to.

► **Att.27**

Ja pie šķēru asmeņiem ir nostiprināts atgriezumam savācējs, tas savāc apgrieztās lapas, un pēc tam ir daudz vieglāk sakt darba vietu.

► **Att.28**

Lai līdzeni apgrieztu dzīvzoga sānu daļu, griežiet no apakšas uz augšu.

► **Att.29**

Ja griežat, lai izveidotu apaļu formu (apgriežot bukšus, rododendrus u. c.), griežiet no saknēm līd galotnei, veidojot pabeigtu formu.

► **Att.30**

APKOPE

⚠UZMANĪBU: Pirms darbarīka pārbaudes vai apkopes vienmēr pārlicinieties, ka darbarīks ir izslēgts un akumulatora kasetne ir izņemta.

Lai saglabātu izstrādājuma DROŠU un UZTICAMU darbiņu, remontdarbus, apkopi un regulēšanu uzticiet veikt tikai Makita pilnvarotam vai rūpnīcas apkopes centram, un vienmēr izmantojiet tikai Makita rezerves daļas.

Darbarīka tīrīšana

Tīriet darbarīku, noslaukot putekļus ar sausu drānu vai drānu, kas samērcēta ziepjūdenī un izgriezta.

IEVĒRĪBAI: Nekad neizmantojiet gazoļīnu, benzīnu, atšķaidītāju, spirtu vai līdzīgus šķīdumus. Tas var radīt izbalēšanu, deformāciju vai plaisas.

Šķēru asmens tehniskā apkope

Pirms ekspluatācijas vai reizi stundā ekspluatācijas laikā uzklājiet uz šķēru asmeņiem zemas viskozitātes eļļu (mašīneļļu vai izsmidzināmu smēreļļu).

► **Att.31**

Pēc darba no abām šķēru asmeņu pusēm notīriet putekļus, izmantojot stiepiņu suku, noslaukiet ar drānu un pēc tam uzklājiet uz šķēru asmeņiem zemas viskozitātes eļļu (mašīneļļu vai izsmidzināmu smēreļļu).

► **Att.32**

IEVĒRĪBAI: Nemazgājiet šķēru asmeņus ar ūdeni. Šīs norādes neievērošana var izraisīt rūs vai darbarīka bojājumus.

IEVĒRĪBAI: Netīrumi un korozija izraisa pastiprinātu asmeņu berzi un saīsina darbības laiku ar vienu akumulatora uzlādi.

Glabāšana

Āķa atvere darbarīka apakšdaļā ir paredzēta, lai darbarīku pakarinātu pie sienas uz naglas vai skrūves. Uzlieciet asmeņu apvalku uz šķēru asmeņiem tā, lai asmeņi nebūtu redzami. Darbarīku glabājiet bērniem nepieejamā vietā. Darbarīku glabājiet tādā vietā, kas pasargāta no mitruma un lietus.

► **Att.33:** 1. Atvere

Šķēru asmeņu asināšana

IEVĒRĪBAI: Ja asināšanas rezultātā šķēru asmeņi ir būtiski deformējušies, nomainiet šķēru asmeņus.

1. Ievietojiet darbarīkā akumulatora kasetni.
2. Ieslēdziet un iedarbiniet darbarīku, lai augšējais asmens un apakšējais asmens būtu novietoti pamīšus.
► **Att.34**
3. Izslēdziet darbarīku un izņemiet no tā akumulatora kasetni.
4. Izskrūvējiet skrūvi un noņemiet smailes aizsargu.
► **Att.35:** 1. Skrūve 2. Smailes aizsargs

5. Turiet vīli 45° leņķī un asiniet ar to augšējo asmeni no 3 pusēm.

► **Att.36:** (1) Vīle (2) 45°

⚠UZMANĪBU: Pirms šķēru asmeņu asināšanas pārlicinieties, ka darbarīks ir izslēgts un akumulatora kasetne ir izņemta no darbarīka.

6. Novietojiet darbarīku otrādi un ar vīli notīriet no šķēru asmeņiem atskarpes.

► **Att.37:** 1. Vīle

7. Turiet vīli 45° leņķī un asiniet ar to apakšējo asmeni no 3 pusēm.

8. Novietojiet darbarīku normālā pozīcijā un ar vīli notīriet no šķēru asmeņiem atskarpes.

9. Pievienojiet smailes aizsargu, ieskrūvējot skrūvi.

Eļļošana ar smērvielu

Eļļošanas intervāls: ik pēc 100 darba stundām

1. Izskrūvējiet 3 skrūves un noņemiet apakšējo apvalku.

► **Att.38:** 1. Skrūve 2. Apakšējais apvalks

2. Noņemiet smērvielas trauku vāciņu un pievienojiet smērvielas trauku pie atveres apvalkā, pagriežot smērvielas trauku.

► **Att.39:** 1. Apvalks 2. Smērvielas trauks

3. Iespiediet darbarīkā smērvielu (aptuveni 5 g).

4. Noņemiet smērvielas trauku.

5. Pievienojiet apakšējo apvalku un pievelciet 3 skrūves.

PAPILDU PIEDERUMI

⚠UZMANĪBU: Šādi piederumi un papildierīces tiek ieteiktas lietošanai ar šajā rokasgrāmatā aprakstīto Makita darbarīku. Izmantojot citus piederumus vai papildierīces, var tikt radīta trauma gūšanas bīstamība. Piederumu vai papildierīci izmantojiet tikai paredzētajam mērķim.

Ja jums vajadzīga palīdzība vai precīzāka informācija par šiem piederumiem, vērsieties savā tuvākajā Makita apkopes centrā.

- Šķēru asmens mezgls
- Šķēru asmens apvalks
- Atgriezumu savācējs
- Smērvielas trauks
- Makita oriģinālais akumulators un lādētājs

PIEZĪME: Daži sarakstā norādītie izstrādājumi var būt iekļauti instrumenta komplektācijā kā standarta piederumi. Tie dažādās valstīs var būt atšķirīgi.

SPECIFIKACIJOS

Modelis:	DUH501	DUH601	DUH751
Ašmenų ilgis	500 mm	600 mm	750 mm
Smūgių per minutę	0–4 400 min ⁻¹		
Bendras ilgis	1 016 mm	1 121 mm	1 261 mm
Vardinė įtampa	Nuol. sr. 18 V		
Grynasis svoris	3,8–4,5 kg		

Modelis:	DUH502	DUH602	DUH752
Ašmenų ilgis	500 mm	600 mm	750 mm
Smūgių per minutę	0–4 400 min ⁻¹		
Bendras ilgis	1 016 mm	1 121 mm	1 261 mm
Vardinė įtampa	Nuol. sr. 18 V		
Grynasis svoris	3,8–4,5 kg		

- Atliekame tęstinius tyrimus ir nuolatos tobuliname savo gaminius, todėl čia pateikiamos specifikacijos gali būti keičiamos be įspėjimo.
- Techninės sąlygos įvairiose šalyse gali skirtis.
- Svoris gali priklausyti nuo priedo (-ų), įskaitant akumuliatoriaus kasetę. Lengviausias ir sunkiausias deriniai pagal EPTA 2014 m. sausio mėn. procedūrą yra parodyti lentelėje.

Tinkama akumuliatoriaus kasetė

BL1815N / BL1820 / BL1820B / BL1830 / BL1830B / BL1840 / BL1840B / BL1850 / BL1850B / BL1860B

- Atsižvelgiant į gyvenamosios vietos regioną, kai kurios pirmiau nurodytos akumuliatoriaus kasetės gali būti neprieinamos.

⚠️ISPĖJIMAS: Naudokite tik akumuliatoriaus kasetes, kurios nurodytos anksčiau. Naudojant bet kurias kitas akumuliatoriaus kasetes, gali kilti sužeidimo ir gaisro pavojus.

Simboliai

Toliau yra nurodyti įrangai naudojami simboliai. Prieš naudodami įsitikinkite, ar suprantate jų reikšmę.



Perskaitykite instrukcijų vadovą.



Saugokite nuo drėgmės.



Taikoma tik ES šalims

Neišmeskite elektros įrangos arba akumuliatoriaus bloko į buitinius šiukšlynus!

Atsižvelgiant į ES direktyvas dėl elektros ir elektroninės įrangos atliekų, dėl baterijų ir akumuliatorių bei baterijų ir akumuliatorių atliekų ir šių direktyvų siekių įgyvendinimą pagal nacionalinius įstatymus, elektros įrangos ir baterijų bei akumuliatorių atliekas būtina surinkti atskirai nuo kitų buitinių atliekų ir atiduoti į antrinių žaliavų perdirbimo aplinkai nekenksmingu būdu punktą.

Numatytoji naudojimo paskirtis

Šis įrankis skirtas gyvatvorėms kirpti.

Triukšmas

Taikomas standartas : EN60745-2-15

Modelis	Garso slėgio lygis		Garso galios lygis	
	L _{PA} (dB(A))	Paklaida K (dB(A))	L _{PA} (dB(A))	Paklaida K (dB(A))
DUH501	84	3	97	3
DUH601	82	3	95	3
DUH751	84	3	97	3
DUH502	81,3	3	86,8	3
DUH602	82,1	3	87,4	3
DUH752	80,5	3	87,8	3

PASTABA: Paskelbta (-os) triukšmo reikšmė (-ės) nustatyta (-os) pagal standartinį testavimo metodą ir ji galima naudoti vienam įrankiui palyginti su kitu.

PASTABA: Paskelbta (-os) triukšmo reikšmė (-ės) taip pat gali būti naudojama (-os) norint preliminariai įvertinti triukšmo poveikį.

ĮSPĖJIMAS: Dėvėkite ausų apsaugą.

ĮSPĖJIMAS: Faktiškai naudojant elektrinį įrankį, keliamo triukšmo dydis gali skirtis nuo paskelbtos (-ų) reikšmės (-ių), priklausomai nuo būdų, kuriais yra naudojamas šis įrankis, ir ypač nuo to, kokio tipo ruošinys apdirbamas.

ĮSPĖJIMAS: Siekdami apsaugoti operatorių, būtinai įvertinkite saugos priemones, remdamiesi vibracijos poveikio įvertinimu esant faktinėms naudojimo sąlygoms (atsižvelgdami į visas darbo ciklo dalis, pavyzdžiui, ne tik kiek laiko įrankis veikia, bet ir kiek kartų jis yra išjungiamas bei kai jis veikia be apkravų).

Vibracija

Vibracijos bendroji vertė (triaežio vektorius suma) nustatyta pagal EN60745-2-15 standartą:

Modelis DUH501

Vibracijos emisija (a_w): 2,5 m/s²

Paklaida (K): 1,5 m/s²

Modelis DUH601

Vibracijos emisija (a_w): 2,5 m/s² arba mažiau

Paklaida (K): 1,5 m/s²

Modelis DUH751

Vibracijos emisija (a_w): 2,5 m/s²

Paklaida (K): 1,5 m/s²

Modelis DUH502

Vibracijos emisija (a_w): 2,5 m/s²

Paklaida (K): 1,5 m/s²

Modelis DUH602

Vibracijos emisija (a_w): 2,5 m/s² arba mažiau

Paklaida (K): 1,5 m/s²

Modelis DUH752

Vibracijos emisija (a_w): 2,5 m/s² arba mažiau

Paklaida (K): 1,5 m/s²

PASTABA: Paskelbta (-os) vibracijos bendroji (-osios) reikšmė (-ės) nustatyta (-os) pagal standartinį testavimo metodą ir ji galima naudoti vienam įrankiui palyginti su kitu.

PASTABA: Paskelbta (-os) vibracijos bendroji (-osios) reikšmė (-ės) taip pat gali būti naudojama (-os) norint preliminariai įvertinti vibracijos poveikį.

ĮSPĖJIMAS: Faktiškai naudojant elektrinį įrankį, keliamos vibracijos dydis gali skirtis nuo paskelbtos (-ų) reikšmės (-ių), priklausomai nuo būdų, kuriais yra naudojamas šis įrankis, ir ypač nuo to, kokio tipo ruošinys apdirbamas.

ĮSPĖJIMAS: Siekdami apsaugoti operatorių, būtinai įvertinkite saugos priemones, remdamiesi vibracijos poveikio įvertinimu esant faktinėms naudojimo sąlygoms (atsižvelgdami į visas darbo ciklo dalis, pavyzdžiui, ne tik kiek laiko įrankis veikia, bet ir kiek kartų jis yra išjungiamas bei kai jis veikia be apkravų).

EB atitikties deklaracija

Tik Europos šalims

EB atitikties deklaracija yra pridedama kaip šio instrukcijos vadovo A priedas.

SAUGOS ĮSPĖJIMAI

Bendrieji įspėjimai dirbant elektriniais įrankiais

ĮSPĖJIMAS: Perskaitykite visus saugos įspėjimus, instrukcijas, iliustracijas ir techninius duomenis, pateiktus kartu su šiuo elektriniu įrankiu. Nesilaikant visų toliau išvardytų instrukcijų galima patirti elektros smūgį, gali kilti gaisras ir (arba) galima sunkiai susižaloti.

Išsaugokite visus įspėjimus ir instrukcijas, kad galėtumėte jas peržiūrėti ateityje.

Terminas „elektrinis įrankis“ pateiktuose įspėjimuose reiškia į maitinimo tinklą jungiamą (laidinį) elektrinį įrankį arba akumuliatoriaus maitinamą (belaidį) elektrinį įrankį.

Saugos įspėjimai dėl akumuliatorinių gyvatvorių žirklių naudojimo

1. Laikykitė kūno dalis toliau nuo pjoviklio ašmenų. Nebandykite šalinti nupjautas šakas ar laikyti pjaunamas šakas peiliui judant. Prieš išimdami įstrigusias nuopjovas, būtinai išjunkite jungiklį. Dirbant gyvatvorių žirkliams užtenka vienos neatidumo akimirkos ir galima rimtai susižeisti.
2. Gyvatvorių žirkles neškite už rankenos, prieš tai sustabdę pjoviklio ašmenis. Transportuodami ar sandėliuodami gyvatvorės žirkles visada uždėkite pjovimo įrankio gaubtą. Tinkamas elgesys su gyvatvorės žirkliams sumažins susižeidimo pjaustyto ašmenimis tikimybę.
3. Laikykitė elektrinį įrankį tik už izoliuotų, laikyti skirtų vietų, nes pjaustyto ašmenys gali užkliudyti nematomus laidus. Pjaustyto ašmenimis įpjovus „gyvą“ laidą, įtampa gali būti perduota neizoliuotoms metalinėms elektrinio įrankio dalims ir operatorius gali gauti elektros smūgį.
4. PAVOJUS - Rankas laikykite kuo toliau nuo ašmenų. Prilietę ašmenis galite sunkiai susižaloti.
5. Nenaudokite gyvatvorės žirklių lietuje ir šlapio mis arba labai drėgnomis sąlygomis. Elektros variklis nėra apsaugotas nuo vandens.

6. Pradėdantieji vartotojai turi paprašyti patyru-
sių gyvatvorės žirklių vartotojų parodyti, kaip
naudojamos žirklys.
7. Gyvatvorės žirklių neleidžiama naudoti vai-
kams ir asmenims, jaunesniems nei 18 metų.
Jauniems asmenims (bet vyresniems nei 16) gali
būti taikoma išimtis, jei jie yra mokomi dirbti žirklē-
mis, prižiūrint specialistui.
8. Naudokite gyvatvorės žirkles tik būdamas geros
fizinės būklės. Jei esate pavargę, jūsų dėmesys
bus sumažėjęs. Ypač atsargiai dirbkite darbo
dienos pabaigoje. Visus darbus atlikite ramiai ir
atidžiai. Vartotojas atsakingas už visą žalą, pada-
rytą trečiajai šaliai.
9. Niekada nenaudokite žirklių apsaugė nuo
alkoholio, narkotinių medžiagų ar vaistų.
10. Darbinės storos odos pirštines yra viena
pagrindinių gyvatvorės žirklių įrangos dalių ir
jas reikia mūvėti viso darbo gyvatvorės žirklē-
mis metu. Taip pat avėkite tvirtus batus nesyln-
tančiais padais.
11. Prieš pradėdami darbą, įsitinkinkite, kad žirklys
yra geros, saugiam darbui tinkamos būklės.
Įsitinkinkite, kad apsaugos yra tinkamai pritvir-
tintos. Gyvatvorių žirkles galima naudoti tik
visiškai sukomplektuotas.
12. Prieš pradėdami darbą, įsitinkinkite, kad tvirtai stovite.
13. Darbo metu įrankį laikykite tvirtai.
14. Be reikalo nenaudokite įrankio be apkrovos.
15. Pjaustytuvui užkabinus tvorą ar kitą daiktą,
nedelsdami išjunkite variklį ir ištraukite aku-
muliatoriaus kasetę. Patikrinkite, ar nepažeis-
tas pjaustytuvas, ir nedelsdami taisykite, jei
pastebite pažeidimų.
16. Prieš tikrindami pjaustytuvą, taisydami gedimus
ar šalinami nuopjovas, visada išjunkite pjaus-
tytuvą ir ištraukite akumuliatoriaus kasetę.
17. Prieš atlikdami bet kokius techninės priežiūros
ar remonto darbus, išjunkite žirkles ir ištrau-
kite akumuliatoriaus kasetę.
18. Pernešdami gyvatvorių žirkles į kitą vietą, taip
pat ir darbo metu, visada ištraukite akumulia-
toriaus kasetę ir uždėkite ant pjoviklio ašmenų
apsauginį peilio gaubtą. Niekada neneškite ir
netransportuokite žirklių pjaustytuvui veikiant.
Niekada neimkite pjaustytuvo rankomis.
19. Po naudojimo ir padėdami saugoti ilgnesiam
laikotarpiui išvalykite gyvatvorės žirkles, ypač
pjaustytuvą. Pjaustytuvą sutepkite alyva ir
užmaukite apvalkalą. Kartu su įrenginio pateiktą
apvalkalą galima pakabinti ant sienos – tai saugus
ir praktiškas būdas gyvatvorės žirklems saugoti.
20. Gyvatvorės žirkles saugokite sausoje patal-
poje su užmautu apvalkalu. Saugokite nuo
vaikų. Niekada nelaikykite žirklių lauke.
21. Niekada nenukreipkite žirklių peilių į save ar
kitus žmones.
22. Jei peiliai nustoja judėti dėl tarp jų darbo
metu įstrigusių pašalinių medžiagų, išjunkite
įrankį ir išimkite akumuliatoriaus kasetę, tada
įrankiu, pvz., replėmis, pašalinkite pašalines
medžiagas. Ranka šalinant pašalines medžiagas
galima susižaloti, kadangi peiliai, reaguodami į
šalinamas pašalines medžiagas, gali pajudėti.
23. Venkite pavojingos aplinkos. Nenaudokite šio
įrankio drėgnoje arba šlapioje vietoje; saugo-
kite jį nuo lietaus. Į šį įrankį patekęs vanduo
padidina elektros smūgio pavojų.
24. Nemeskite akumuliatoriaus (-ių) į ugnį.
Akumuliatoriaus elementas gali sprogti.
Pasitikrinkite, ar vietiniai įstatymai neaprašo
specialaus išmetimo būdo.
25. Neatidarykite ir neardykite akumuliatoriaus
(-ių). Ištekėjęs elektrolitas yra ēdančioji
medžiaga, kuri gali pažeisti akis ar odą.
Nurytas jis gali apnuodyti.
26. Nenaudokite akumuliatoriaus lyjant arba drė-
gnose vietose.
27. Prieš naudodami įrankį patikrinkite gyvatvoro-
s ir krūmus, ar nėra pašalinių medžiagų, pvz.,
vieniųjų tvorų ar užsėptų vielų.

SAUGOKITE ŠIAS INSTRUKCIJAS.

⚠️ISPĖJIMAS: NELEISKITE, kad patogumas ir
gaminio pažinimas (įgyjamas pakartotinai nau-
dojant) susilpnintų griežtą saugos taisyklių, tai-
kytinių šiam gaminiiui, laikymąsi. Dėl NETINKAMO
NAUDOJIMO arba saugos taisyklių, kurios pateik-
tos šioje instrukcijoje, nesilaikymo galima rimtai
susižeisti.

Svarbios saugos instrukcijos, taikomos akumuliatoriaus kasetei

1. Prieš naudodami akumuliatoriaus kasetę, per-
skaitykite visas instrukcijas ir perspėjimus ant
(1) akumuliatorių įkroviklio, (2) akumuliatorių ir
(3) akumuliatorių naudojančio gaminio.
2. Neardykite akumuliatoriaus kasetės.
3. Jei įrankio darbo laikas žymiai sutrumpėjo,
nedelsdami nutraukite darbą su įrankiu. Tai
gali kelti perkaitimo, nudegimų ar net sprogi-
mo pavojų.
4. Jei elektrolitas pateko į akis, plaukite jas tyru
vandeniu ir nedelsdami kreipkitės į gydytoją.
Gali kilti regėjimo praradimo pavojus.
5. Neužtrumpinkite akumuliatoriaus kasetės:
 - (1) Nelieskite kontaktų degiomis
medžiagomis.
 - (2) Venkite laikyti akumuliatoriaus kasetę
kartu su kitais metaliniais daiktais, pavyz-
diui, vinimis, monetomis ir pan.
 - (3) Saugokite akumuliatoriaus kasetę nuo
vandens ir lietaus.
 Trumpasis jungimas akumuliatoriuje gali
sukelti stiprią srovę, perkaitimą, galimus nude-
gimus ar net akumuliatoriaus gedimą.
6. Nelaikykite įrankio ir akumuliatoriaus kasetės
vietose, kur temperatūra gali pasiekti ar viršyti
50 °C.
7. Nedeginkite akumuliatoriaus kasetės, net jei
yra stipriai pažeista ar visiškai susidėvėjusi.
Ugnyje akumuliatoriaus kasetė gali sprogti.
8. Saugokite akumuliatorių nuo kritimo ir smūgių.
9. Nenaudokite pažeisto akumuliatoriaus.

10. Įdėdami ličio jonų akumuliatorių taikomi Pavojingų prekių teisės akto reikalavimai. Komercinis transportas, pvz., trečiųjų šalių, prekių vežimo atstovų, turi laikytis specialaus reikalavimo ant pakuotės ir ženklavimo. Norėdami paruošti siųstiną prekę, pasitarkite su pavojingų medžiagų specialistu. Be to, laikykitės galimai išsamesnių nacionalinių reglamentų. Užklijuokite juosta arba padenkite atvirus kontaktus ir supakuokite akumuliatorių taip, kad jį pakuotėje nejudėtų.
11. Vadovaukitės vietos įstatymais dėl akumuliatorių išmetimo.
12. Baterijas naudokite tik su „Makita“ nurodytais gaminiais. Baterijas įdėjus į netinkamus gaminius gali kilti gaisras, gaminyje permelyg kaisti, kilti sproginimas arba pratekėti elektrolitas.

SAUGOKITE ŠIAS INSTRUKCIJAS.

▲PERSPĖJIMAS: Naudokite tik originalų „Makita“ akumuliatorių. Neoriginalaus „Makita“ arba pakeisto akumuliatoriaus naudojimas gali nulemti gaisrą, asmens sužalojimą ir pažeidimą. Tai taip pat panaikina „Makita“ suteikiamą „Makita“ įrankio ir įkroviklio garantiją.

Patarimai, ką daryti, kad akumuliatorius veiktų kuo ilgiau

1. Pakraukite akumuliatoriaus kasetę prieš ją visiškai išsikraunant. Visuomet nustokite naudoti įrankį ir pakraukite akumuliatoriaus kasetę, kai pastebite, kad įrankio galia sumažėjo.
2. Niekada nekraukite iki galo įkrautos akumuliatoriaus kasetės. Perkraunant trumpėja akumuliatoriaus eksploatacijos laikas.
3. Akumuliatoriaus kasetę kraukite esant kambario temperatūrai 10 - 40 °C. Prieš pradėdami krauti, leiskite įkaitusiai akumuliatoriaus kasetei atvėsti.
4. Įkraukite akumuliatoriaus kasetę, jei jos nenaudojate ilgą laiką (ilgiau nei šešis mėnesius).

VEIKIMO APRĄŠYMAS

▲PERSPĖJIMAS: Prieš pradėdami reguliuoti arba tikrinti įrankio veikimą, visuomet būtinai išjunkite įrankį ir išimkite akumuliatoriaus kasetę.

Akumuliatoriaus kasetės uždėjimas ir nuėmimas

▲PERSPĖJIMAS: Prieš įdėdami arba išimdami akumuliatoriaus kasetę, visada išjunkite įrankį.

▲PERSPĖJIMAS: Įdėdami arba išimdami akumuliatoriaus kasetę, tvirtai laikykite įrankį ir akumuliatoriaus kasetę. Jeigu įrankį ir akumuliatoriaus kasetę laikysite netvirtai, jie gali išslįsti iš jūsų rankų, todėl įrankis ir akumuliatoriaus kasetė gali būti sugadinti, o naudotojas sužalotas.

► **Pav.1:** 1. Raudonas indikatorius 2. Mygtukas 3. Akumuliatoriaus kasetė

Jei norite išimti akumuliatoriaus kasetę, ištraukite ją iš įrankio, stumdami mygtuką, esantį kasetės priekyje.

Jei norite įdėti akumuliatoriaus kasetę, sulygiuokite liežuvėlį ant akumuliatoriaus kasetės su grioveliu korpuso ir įstumkite į ją šiltą vietą. Įdėkite iki galo, kol spragtelėdama užsifiksuos. Jeigu matote raudoną indikatorių viršutinėje mygtuko pusėje, ji nėra visiškai užfiksuota.

▲PERSPĖJIMAS: Akumuliatoriaus kasetę visada įkiškite iki galo, kol nebematysite raudono indikatoriaus. Priešingu atveju ji gali atsitiktinai iškristi iš įrankio, sužeisti jus arba aplinkinius.

▲PERSPĖJIMAS: Nekiškite akumuliatoriaus kasetės jėga. Jeigu kasetė sunkiai lenda, ją kišate netinkamai.

Likusios akumuliatoriaus galios rodymas

Tik akumuliatoriaus kasetėms su indikatoriumi

► **Pav.2:** 1. Indikatorių lemputės 2. Tikrinimo mygtukas

Paspauskite akumuliatoriaus kasetės tikrinimo mygtuką, kad būtų rodoma likusi akumuliatoriaus energija. Maždaug trims sekundėms užsidegs indikatorių lemputės.

Indikatorių lemputės			Likusi galia
Šviečia	Nešviečia	Blyksti	
■ ■ ■ ■			75 - 100 %
■ ■ ■ □			50 - 75 %
■ ■ □ □			25 - 50 %
■ □ □ □			0 - 25 %
▲ □ □ □			Įkraukite akumuliatorių.
■ ■ □ □			Galimai įvyko akumuliatoriaus veikimo triktis.
□ □ □ ■			

PASTABA: Rodmuo gali šiek tiek skirtis nuo faktinės energijos lygio – tai priklauso nuo naudojimo sąlygų ir aplinkos temperatūros.

Įrankio / akumulatoriaus apsaugos sistema

Įrankyje įrengta įrankio / akumulatoriaus apsaugos sistema. Ši sistema automatiškai atjungia variklio maitinimą, kad įrankis ir akumulatorius ilgiau veiktų. Įrankis automatiškai išsijungs darbo metu esant vienai iš toliau nurodytų įrankio arba akumulatoriaus darbo sąlygų:

Būsena	Indikatorių lemputės		
	<input type="checkbox"/> šviečia	<input type="checkbox"/> nešviečia	<input type="checkbox"/> blykksi
Perkrova			
Perkaitimas			
Per didelis išsikrovimas			

Apsauga nuo perkrovos

Jei įrankio veikimą pernelyg apkrauna įsispainiojusios šakos ar kitos nuolaužos, pradeda blykseti ir viduriniai indikatoriai, o įrankis sustabdomas automatiškai. Tokiu atveju atleiskite įrankio gaiduką ir nutraukite darbą, dėl kurio kilo įrankio perkrova. Po to vėl įjunkite įrankį.

PASTABA: Priklausomai nuo naudojimo sąlygų, įrankis automatiškai išjungiamas be jokios indikacijos, jeigu įrankis per daug apkraunamas dėl įsispainiojusių šakų ar nuolaužų. Šiuo atveju išjunkite įrankį ir išimkite akumulatoriaus kasetę, tuomet, pavyzdžiui, replėmis, išimkite įsispainiojusias šakas ar nuolaužas. Išėmę šakas ar nuolaužas, įdėkite akumulatoriaus kasetę ir vėl įjunkite įrankį.

Įrankio arba akumulatoriaus apsauga nuo perkaitimo

Yra du perkaitimo tipai: įrankio perkaitimas ir akumulatoriaus perkaitimas. Kai perkaista įrankis, blykksi visi greičio indikatoriai. Kai perkaista akumulatorius, blykksi indikatorius.

Jei užfiksuojamas perkaitimas, įrankis automatiškai sustabdomas. Palaukite, kol įrankis ir (arba) akumulatorius atvės prieš vėl įjungdami įrankį.

Apsauga nuo visiško išsekimo

Kai lieka mažai akumulatoriaus galios, įrankis automatiškai sustabdomas ir blykksi indikatorius. Jeigu įrankis neveikia net ir spaudžiant jungiklius, išimkite akumulatorių iš įrankio ir įkraukite.

Rankenos kampo nustatymas

▲PERSPĖJIMAS: Prieš pradėdami darbą, visada įsitikinkite, ar rankena užfiksuota į norimą padėtį.

▲PERSPĖJIMAS: Netraukite svirties žemyn rankenai atblokuoti, kai traukiate gaiduką. Netraukite gaiduko, kai traukiate žemyn svirtį ir sukate rankeną. Nesilaikant šių nurodymų, įrankis gali sugesti.

Galite nustatyti 0°, 45° ar 90° rankenos kampą į kairę arba dešinę. Norėdami pakeisti rankenos kampą, sukite rankeną, traukdami svirtį žemyn, tada svirtį atlaisvinkite.
► Pav.3: 1. Svirtis

Maitinimo jungiklio veikimas

▲ISPĖJIMAS: Jūsų pačių saugumui šiame įrankyje įrengta atlaisvinimo svirtis, kuri neleidžia netyčia įjungti įrankio. NIEKADA nenaudokite veikiančio įrankio, jeigu nuspaudėte jungiklio svirtį ir patraukėte gaiduką, nenuspaudę atlaisvinimo svirties. PRIEŠ pradėdami vėl naudoti įrankį, atiduokite jį suremontuoti į mūsų įgaliotąjį techninės priežiūros centrą.

▲ISPĖJIMAS: NIEKADA neužklijuokite lipnia juostele ir nepanaikinkite atlaisvinimo svirtelės paskirties bei funkcijos.

▲ISPĖJIMAS: Prieš montuodami akumulatoriaus kasetę įrankyje, visuomet patikrinkite, ar gaidukas ir jungiklio svirtis gerai veikia ir atleisti grįžta į padėtį „OFF“ (išjungta). Naudojant įrankį, kurio gaidukas netinkamai veikia, galima jo nesuvaldyti ir sunkiai susižaloti.

▲PERSPĖJIMAS: Nešdami įrankį, niekada nelaikykite piršto ant jungiklio. Galite atsitiktinai įjungti įrankį ir susižaloti arba sužaloti kitus.

PASTABA: Negalima stipriai spausti gaiduko, nenuspaudus atlaisvinimo svirtelės. Taip galima sugadinti jungiklį.

Norėdami įjungti įrankį, paspauskite pagrindinį įjungimo mygtuką ir palaikykite jį nuspaudę. Įsiziėbia maitinimo lemputė, kai įrankis įjungtas. Norėdami įrankį išjungti, dar kartą paspauskite ir palaikykite pagrindinį įjungimo mygtuką. Išsijungia maitinimo lemputė, kai įrankis išjungtas.

► Pav.4: 1. Maitinimo lemputė 2. Pagrindinis įjungimo mygtukas

PASTABA: Jeigu tam tikrą laiką įrankis nenaudojamas, jis automatiškai išjungiamas.




Yra įrengta atlaisvinimo svirtis, kad gaidukas nebūtų atsitiktinai nuspauštas. Jei norite įjungti įrankį, paspauskite atlaisvinimo svirtį, tuomet jungiklio svirtį bei patraukite gaiduką. Įrankio greitis didėja stipriau spaudžiant gaiduką. Atleiskite gaiduką, jeigu norite sustabdyti įrankį.

► Pav.5: 1. Svirtinis jungiklis 2. Atlaisvinimo svirtis 3. Gaidukas

Greičio reguliavimas

Jrankio greitį galima reguliuoti spaudant pagrindinį įjungimo mygtuką.
Kaskart spustelėjus pagrindinį įjungimo mygtuką, pakeičiamas galios lygis.

► **Pav.6:** 1. Maitinimo lemputė 2. Pagrindinis įjungimo mygtukas

Indikatorius	Režimas	Smūgio greitis
	Didelis	4 400 min ⁻¹
	Vidutinis	3 600 min ⁻¹
	Mažas	2 000 min ⁻¹

Atbulinės eigos mygtukas šiukšlėms šalinti

▲PSPĖJIMAS: Jeigu atbulinės eigos funkcija negalima pašalinti įsipainiojusių šakų ar nuolaužų, išjunkite įrankį ir išimkite akumuliatoriaus kasetę, tuomet, pavyzdžiui, replėmis, išimkite įsipainiojusias šakas ar nuolaužas. Neišjungus įrankio ir neišėmus akumuliatoriaus kasetės, netyčia įjungus įrankį, galima sunkiai susižeisti. Rankomis išimant įsipainiojusias šakas ar nuolaužas, galima susižaloti, nes žirklių peiliai išimant gali pajudėti.

Šis įrankis turi atbulinės eigos mygtuką žirklių peilių judėjimo kryptčiai keisti. Jis naudojamas tik įrankyje įstrigusiomis šakoms ir nuolaužoms šalinti. Norėdami pakeisti žirklių peilių judėjimo kryptį, bakstelėkite atbulinės eigos mygtuką, kai žirklių peiliai sustoja, tuomet paspauskite jungiklio svirtį ir patraukite gaiduką, spausdami atlaisvinimo svirtį. Pradedama mirksėti maitinimo lemputė, o žirklių peiliai juda atbuline eiga. Kai įstrigusios šakos ir nuolaužos pašalinamos, įrankis pradeda įprastai judėti, maitinimo lemputė nustoja mirksėti ir pradeda šviesti.

► **Pav.7:** 1. Atbulinės eigos mygtukas

PASTABA: Jeigu įstrigusių šakų ar nuolaužų negalima pašalinti, atleiskite ir traukite gaiduką, kol jos bus pašalintos.

PASTABA: Jeigu atbulinės eigos mygtuką paspausite tada, kai žirklių peiliai vis dar judės, įrankis sustos ir bus pasirengęs atbulinei judėjimo kryptčiai.

SURINKIMAS

▲PERSPĖJIMAS: Prieš darydami ką nors įrankiu visada patikrinkite, ar įrenginys išjungtas, o akumuliatorių kasetė – nuimta.

▲PERSPĖJIMAS: Keisdami žirklių peilius, visada mūvėkite pirštines, kad rankos tiesiogiai prie jų neprisiliestų.

PASTABA: Keisdami pjovimo peilius, nenuvalykite tepalo nuo pavaros ir švaistiklio.

Žirklių peilių uždėjimas ir nuėmimas

▲PERSPĖJIMAS: Prieš montuodami arba nuimdami žirklių peilius, uždėkite peilio gaubtą.

Jūs savo įrankiu galite uždėti 500 mm, 600 mm ar 750 mm žirklių peilius.

1. Apverskite įrankį ir tada išsukite 6 varžtus.

► **Pav.8:** 1. Varžtas

2. Nuimkite dangtelį ir plokštelę.

► **Pav.9:** 1. Dangtelis 2. Plokštelė

PASTABA: Plokštelę galima palikti ant dangtelio.

3. Nuimkite strypą.

► **Pav.10:** 1. Strypas

PASTABA: Strypą galima palikti ant dangtelio.

4. Išsukite 2 varžtus, išimkite veltinio padą, poveržles ir įvores, tada nuimkite žirklių peilius.

► **Pav.11:** 1. Veltinio padas 2. Varžtas 3. Poveržlė

4. Įvori 5. Žirklių peiliai

5. Nuimkite peilių gaubtą.

6. Uždėkite peilių gaubtą ant naujų žirklių peilių.

7. Pareguliuokite švaistiklį taip, kad 2 skylutės būtų sulygintos su sulyginimo linija.

► **Pav.12:** 1. Anga 2. Sulyginimo linija

8. Sulygiuokite iškyšas ant žirklių peilių vertikaliai ties ta pačia padėtimi.

► **Pav.13:** 1. Iškyša

9. Uždėkite veltinio padą ant žirklių peilių.

► **Pav.14:** 1. Veltinio padas

10. Įkiškite ant žirklių peilių esančią iškyšą į strypę esančią angą, tuomet sulygiuokite veltinio pado padėtį su įrankyje esančiomis angomis, tada pritvirtinkite naujas įvores ir poveržles.

► **Pav.15:** 1. Iškyša 2. Anga 3. Veltinio padas

4. Poveržlė 5. Įvori

PASTABA: Patepkite tepalu (nedideliu kiekiu) vidinę strypo angos pusę.

PASTABA: Būkite atsargūs, kad nepamestumėte poveržlių ir įvorių.

11. Sulygiuokite žirklių peilių angas su įrankio angomis ir tuomet priveržkite 2 varžtus, kad žirklių peiliai būtų užfiksuoti.

► **Pav.16:** 1. Varžtas 2. Anga

12. Pritvirtinkite strypą.
► Pav.17: 1. Strypas 2. Maža anga

PASTABA: Patepkite tepalu (nedideliu kiekiu) vidinę strypo mažos angos pusę.

PASTABA: Įsitikinkite, kad ant peilių žirklių esanti iškyša įsikiša į ant strypo esančią mažą angą.

13. Pritvirtinkite plokštelę.
► Pav.18: 1. Iškyša 2. Plokštelė

PASTABA: Įsitikinkite, kad ant peilių žirklių esanti iškyša įsikiša į ant plokštelės esančią angą.

14. Uždėkite dangtelį ir tuomet priveržkite 6 varžtus.
► Pav.19: 1. Dangtelis 2. Varžtas

PASTABA: Būtinai prie centrinių skylių pritvirtinkite 2 ilgus varžtus.

PASTABA: Jeigu pjovimo peiliai juda netolygiai, jie nėra tinkamai užsifiksavę su strypais. Dar kartą sumontuokite pjovimo peilius.

PASTABA: Jei nusidėvėjo dalys, tokios kaip strypai, išskyrus pjovimo peilius, kreipkitės į „Makita“ įgaliotuosius techninės priežiūros centrus, kad pakeistų dalis ar atliktų remonto darbus.

Skiedrų gaudyklės uždėjimas ir nuėmimas

Pasirenkamasis priedas

▲PERSPĖJIMAS: Uždėdami ar nuimdami skiedrų gaudyklę, visada mūvėkite pirštines, kad rankos tiesiogiai neprisilietų prie žirklių peilių.

PASTABA: Peilių gaubto negalima uždėti, jeigu įrankyje sumontuota skiedrų gaudyklė. Prieš nešdami arba padėdami saugoti įrankį, nuimkite skiedrų gaudyklę, o paskui sumontuokite peilio gaubtą, kad peiliai būtų apsaugoti.

PASTABA: Prieš įstatydami skiedrų gaudyklę, būtinai nuimkite peilių gaubtą.

Skiedrų gaudyklė surenka netinkamus lapus, todėl vėliau valyti tampa daug lengviau. Ją galima uždėti bet kurioje įrankio pusėje.

Norėdami uždėti skiedrų gaudyklę, sulygiuokite skiedrų gaudyklės kabliukus su ant žirklių peilių esančiomis rodyklių žymomis, tuomet prispauskite skiedrų gaudyklę prie žirklių peilių taip, kad kabliukai įsikištų į ant žirklių peilių esančius griovelius.

- Pav.20: 1. Kabliukas 2. Rodyklės žyma
► Pav.21: 1. Kabliukas

PASTABA: Patikrinkite, ar skiedrų gaudyklė nepersidengia su galo apsaugu.

- Pav.22: 1. Galo apsaugas

Jei norite nuimti skiedrų gaudyklę, paspauskite svirtis abiejose pusėse, kad atpalaiduotumėte kabliukus.

- Pav.23: 1. Svirtis

PASTABA: Niekada nebandykite nuimti skiedrų gaudyklės jėga, jos kabliukams esant įkabintiems žirklių peilių grioveliuose.

NAUDOJIMAS

▲JSPĖJIMAS: Rankas laikykite kuo toliau nuo žirklių peilių.

▲PERSPĖJIMAS: Jei tik įmanoma, stenkitės nenaudoti šio įrankio labai karštomis oro sąlygomis. Naudodami šį įrankį, atsižvelkite į savo fizinę būklę.

▲PERSPĖJIMAS: Kirpdami saugokitės, kad neužkabintumėte peiliu metalinės tvoros ar kito kieto daikto. Žirklių peiliai gali nulūžti ir sužeisti.

▲PERSPĖJIMAS: Būkite atsargūs ir neleiskite, kad pjovimo peiliai liestų žemę. Įrankis gali nulūžti ir sužeisti.

▲PERSPĖJIMAS: Nepaprastai pavojinga gyvatvorės žirklemis užsimoti per toli, ypač nuo kopėčių. Nedirbkite stovėdami ant netvirto ar svyruojančio pagrindo.

PASTABA: Nebandykite šiuo įrankiu pjauti šakelių, storesnių kaip 10 mm. Šakų karpymo žirklemis nukarpykite šakelės iki 10 cm žemiau pjovimo aukščio, tik tuomet naudokite šį įrankį.

- Pav.24: (1) Pjovimo aukštis (2) 10 cm

PASTABA: Nepjunkite sudžiūvusiu šakų ar panašų kietų daiktų. Taip galite sugadinti įrankį.

PASTABA: Nepjunkite žolės ar piktžolių žirklių peiliais. Žirklių peiliai gali įspainioti žolėje arba piktžolėse.

Laikykite įrankį abiem rankomis, paspauskite jungiklio svirtį ir patraukite gaiduką, spausdami atlaisvinimo svirtį, tuomet stumkite įrankį į priekį.

- Pav.25

Paprasciausias veikimas yra pakreipti žirklių peilius pjovimo kryptimi, ramiai ir lėtai judinti, įveikiant metrą per 3 – 4 sekundes.

- Pav.26

Norėdami tiesiai nupjauti gyvatvorės viršų, norimame aukštyje priširkite virvę ir pjaukite pagal ją.

- Pav.27

Jei prie žirklių peilių pritvirtinama skiedrų gaudyklė, ji surenka netinkamus lapus, todėl vėliau valyti tampa daug lengviau.

- Pav.28

Norėdami tolygiai apipjauti gyvatvorės šonus, pjaukite iš apačios į viršų.

- Pav.29

Jei norite išgauti apvalią formą (apkarpančioms buksmedžiams, rododendrus ir pan.), kirpkite nuo pagrindo į viršų, kad pasiektumėte gerų rezultatų.

- Pav.30

TECHNINĖ PRIEŽIŪRA

▲PERSPĖJIMAS: Visuomet įsitikinkite, ar įrankis yra išjungtas ir akumulatoriaus kasetė yra nuimta prieš atlikdami apžiūrą ir priežiūrą.

Kad gaminyt būtų SAUGUS ir PATIKIMAS, jį taisyti, apžiūrėti ar vykdyti bet kokią kitą priežiūrą ar derinimą turi įgaliotasis kompanijos „Makita“ techninės priežiūros centras; reikia naudoti tik kompanijos „Makita“ pagamintas atsargines dalis.

Įrankio valymas

Nuvalykite nuo įrankio dulkes sausu ar muilinu vandeniu sumirkytu ir nugrežtu skuduru.

PASTABA: Niekada nenaudokite gazolino, benzino, tirpiklio, spirito arba panašių medžiagų. Gali atsirasti išblukimų, deformacijų arba įtrūkimų.

Žirklių peilių priežiūra

Prieš darbą arba kas valandą darbo metu patepkite žirklių peilius mažo klampumo alyva (mašininė alyva ar purškiamo tepimo alyva).

► **Pav.31**

Po darbo vieliniu šepetėliu išvalykite dulkes iš abiejų žirklių peilių pusių, nuvalykite juos skudurėliu, o paskui patepkite mažo klampumo alyva (mašininė alyva ar purškiamo tepimo alyva).

► **Pav.32**

PASTABA: Neplaukite žirklių peilių vandeniu. Tai gali paskatinti rūdijimą arba sugadinti šį įrankį.

PASTABA: Purvas ir korozija sukelia pernelyg didelę trintį ir sutrumpina akumulatoriaus darbo laiką.

Laikymas

Įrankio apačioje esanti skylė kabliui leidžia patogiai pakabinti įrankį ant vinies ar varžto sienoje.

Uždėkite peilio gaubtą ant pjovimo peilių, kad jie būtų uždengti. Saugokite įrankį vaikams nepasiekiamoje vietoje. Laikykite įrankį nuo drėgmės ar lietaus apsaugotoje vietoje.

► **Pav.33:** 1. Skylutė

Žirklių peilių galandimas

PASTABA: Jeigu žirklių peiliai dėl galandimo žymiai deformavosi, pakeiskite juos naujais.

1. Įdėkite akumulatoriaus kasetę į įrankį.
2. Įjunkite ir užveskite įrankį, kad viršutinis peilis ir apatinis peilis būtų išsidėstę pakaitomis.
► **Pav.34**
3. Išjunkite įrankį ir išimkite akumulatoriaus kasetę.
4. Išsukite varžtą ir tuomet nuimkite galo apsaugą.
► **Pav.35:** 1. Varžtas 2. Galo apsaugas
5. Nustatykite dildės 45° kampą ir dilde trimis kryptimis galąskite viršutinį peilį.
► **Pav.36:** (1) Dildė (2) 45°

▲PERSPĖJIMAS: Prieš galąsdami žirklių peilius, įsitikinkite, kad įrankis yra išjungtas ir iš jo išimta akumulatoriaus kasetė.

6. Apverskite įrankį ir tuomet dilde pašalinkite nuo žirklių peilių šerpetas.
► **Pav.37:** 1. Dildė
7. Nustatykite dildės 45° kampą ir dilde trimis kryptimis galąskite apatinį peilį.
8. Atverskite įrankį į įprastą padėtį ir tuomet dilde pašalinkite nuo žirklių peilių šerpetas.
9. Tada priveržkite galo apsaugą varžtu.

Tepimas

Tepimo intervalas: Kas 100 darbo valandų

1. Išsukite 3 varžtus ir nuimkite apatinį dangtelį.
► **Pav.38:** 1. Varžtas 2. Apatinis dangtelis
2. Nuimkite dangtelį nuo tepalo indo, tuomet priveržkite tepalo indą prie dangtelio angos, pasukdami tepalo indą.
► **Pav.39:** 1. Dangtelis 2. Tepalo indas
3. Užtepkite tepalo ant įrankio (rekomenduojama maždaug 5 g).
4. Nuimkite tepalo indą.
5. Uždėkite apatinį dangtelį ir priveržkite 3 varžtus.

PASIRENKAMI PRIEDAI

▲PERSPĖJIMAS: Šiuos papildomus priedus arba įtaisus rekomenduojama naudoti su šioje instrukcijoje nurodytu „Makita“ bendrovės įrankiu. Naudojant bet kokius kitus papildomus priedus arba įtaisus, gali kilti pavojus sužeisti žmones. Naudokite tik nurodytą tikslui skirtus papildomus priedus arba įtaisus.

Jeigu norite daugiau sužinoti apie tuos priedus, kreipkitės į artimiausią „Makita“ techninės priežiūros centrą.

- Peilio mechanizmas
- Peilio gaubtas
- Skiedrų gaudyklė
- Tepalo indas
- Originalūs „Makita“ akumulatorius ir įkroviklis

PASTABA: Kai kurie sąrašė esantys priedai gali būti pateikti įrankio pakuotėje kaip standartiniai priedai. Jie įvairiose šalyse gali skirtis.

TEHNILISED ANDMED

Mudel:	DUH501	DUH601	DUH751
Tera pikkus	500 mm	600 mm	750 mm
Käikude arv minutis	0–4 400 min ⁻¹		
Üldpikkus	1 016 mm	1 121 mm	1 261 mm
Nimipinge	Alalisvool 18 V		
Netokaal	3,8–4,5 kg		

Mudel:	DUH502	DUH602	DUH752
Tera pikkus	500 mm	600 mm	750 mm
Käikude arv minutis	0–4 400 min ⁻¹		
Üldpikkus	1 016 mm	1 121 mm	1 261 mm
Nimipinge	Alalisvool 18 V		
Netokaal	3,8–4,5 kg		

- Meie pideva uuringu- ja arendusprogrammi tõttu võidakse tehnilisi andmeid muuta ilma sellest ette teatamata.
- Tehnilised andmed võivad riigiti erineda.
- Kaal võib erineda olenevalt lisaseadistest, kaasa arvatud akussetist. Kergeim ja raskeim kombinatsioon EPTA-protseduuri 01/2014 kohaselt on toodud tabelis.

Sobiv akusset

BL1815N / BL1820 / BL1820B / BL1830 / BL1830B / BL1840 / BL1840B / BL1850 / BL1850B / BL1860B

- Mõned eespool loetletud akussetid ei pruugi olla teie riigis saadaval.

⚠ HOIATUS: Kasutage ainult ülalpool loetletud akussette. Muude akussettide kasutamine võib tekitada vigastusi ja/või tulekahju.

Sümbolid

Alljärgnevalt kirjeldatakse seadmetel kasutatavaid tingimärke. Veenduge, et olete nende tähendusest aru saanud enne seadme kasutamist.



Lugege juhendit.



Ärge jätke seadet niiskuse kätte.



Ainult EL-i riikide puhul
Ärge visake elektriseadmeid ja akusid ära koos majapidamisjäätmetega!
Vastavalt Euroopa Parlamendi ja Nõukogu direktiividele elektri- ja elektroonikaseadmete jäätmete kohta ning patareide ja akude ning patarei- ja akujäätmete kohta ning nende nõuete kohaldamisele liikmesriikides tuleb kasutuskõlbmatuks muutunud elektriseadmed ja akud koguda eraldi ning keskkonnasäästlikult korduv kasutada või ringlusse võtta.

Kavandatud kasutus

Tööriist on ette nähtud heki pügamiseks.

Müra

Kohaldatav standard : EN60745-2-15

Mudel	Helirõhutase		Helivõimsuse tase	
	L _{PA} (dB(A))	Kõikumine K (dB(A))	L _{PA} (dB(A))	Kõikumine K (dB(A))
DUH501	84	3	97	3
DUH601	82	3	95	3
DUH751	84	3	97	3
DUH502	81,3	3	86,8	3
DUH602	82,1	3	87,4	3
DUH752	80,5	3	87,8	3

MÄRKUS: Deklareeritud müra väärtust (väärtused) on mõõdetud kooskõlas standardse katseteetodiga ning seda võib kasutada ühe seadme võrdlemiseks teisega.

MÄRKUS: Deklareeritud müra väärtust (väärtused) võib kasutada ka mürataseme esmaseks hindamiseks.

⚠️HOIATUS: Kasutage kõrvakaitsmeid.

⚠️HOIATUS: Müratase võib elektritööriista tegelikkuses kasutamise ajal erineda deklareeritud väärtust(t) est olenevalt tööriista kasutusviisidest ja eriti töödeldavast toorikust.

⚠️HOIATUS: Rakendage operaatori kaitsmiseks kindlasti piisavaid ohutusabinõusid, mis põhinevad hinnangulisel müratasemel tegelikus tööolukorras (võttes arvesse tööperioodi kõiki osasid, näiteks korrad, kui seade lülitatakse välja ja seade töötab tühikäigul, lisaks tööajale).

Vibratsioon

Vibratsiooni koguväärtus (kolmeteljeliste vektorite summa) määratud standardi EN60745-2-15 kohaselt:

Model DUH501

Vibratsiooniheid (a_h): 2,5 m/s²

Määramatus (K): 1,5 m/s²

Model DUH601

Vibratsiooniheid (a_h): 2,5 m/s² või vähem

Määramatus (K): 1,5 m/s²

Model DUH751

Vibratsiooniheid (a_h): 2,5 m/s²

Määramatus (K): 1,5 m/s²

Model DUH502

Vibratsiooniheid (a_h): 2,5 m/s²

Määramatus (K): 1,5 m/s²

Model DUH602

Vibratsiooniheid (a_h): 2,5 m/s² või vähem

Määramatus (K): 1,5 m/s²

Model DUH752

Vibratsiooniheid (a_h): 2,5 m/s² või vähem

Määramatus (K): 1,5 m/s²

MÄRKUS: Deklareeritud vibratsiooni koguväärtust (-väärtuseid) on mõõdetud kooskõlas standardse katseteetodiga ning seda võib kasutada ühe seadme võrdlemiseks teisega.

MÄRKUS: Deklareeritud vibratsiooni koguväärtust (-väärtuseid) võib kasutada ka mürataseme esmaseks hindamiseks.

⚠️HOIATUS: Vibratsioonitase võib elektritööriista tegelikkuses kasutamise ajal erineda deklareeritud väärtust(t)est olenevalt tööriista kasutusviisidest ja eriti töödeldavast toorikust.

⚠️HOIATUS: Rakendage operaatori kaitsmiseks kindlasti piisavaid ohutusabinõusid, mis põhinevad hinnangulisel müratasemel tegelikus tööolukorras (võttes arvesse tööperioodi kõiki osasid, näiteks korrad, kui seade lülitatakse välja ja seade töötab tühikäigul, lisaks tööajale).

EÜ vastavusdeklaratsioon

Ainult Euroopa riikide puhul

EÜ vastavusdeklaratsioon sisaldub käesoleva juhendi Lisas A.

OHUTUSHOIATUSED

Üldised elektritööriistade ohutushoiatused

⚠️HOIATUS: Lugege läbi kõik selle elektritööriistaga kaasas olevad ohutushoiatused, juhised, joonised ja tehnilised andmed. Järgnevate juhiste eiramine võib põhjustada elektrilöögi, süttimise ja/või raske kehavigastuse.

Hoidke edaspidisteks viideteks alles kõik hoiatused ja juhtnöörid.

Hoiatuses kasutatud termini „elektritööriist“ all peetakse silmas elektriga töötavaid (juhtmega) elektritööriistu või akuga töötavaid (juhtmata) elektritööriistu.

Juhtmata hekitrimmeri ohutushoiatused

- Hoidke kõik kehaosad lõiketerast eemal. Ärge eemaldage lõikematerjali ega hoidke sellest kinni, kui lõiketerad liiguvad. Veenduge, et seade oleks välja lülitatud, kui puhastate seda kinnikiilunud materjalist. Üks heik tähelepanematus hekitrimmeriga töötamisel võib põhjustada tõsiseid vigastusi.**
- Kandke hekitrimmerit käepidemest hoides ja seisatud lõiketeraga. Hekitrimmeri transportimise või hoiulepaneku ajaks peab alati olema paigaldatud lõikeriista kate. Hekitrimmeri õigesti käsitsemise vähendab enda lõiketeradega vigastamise ohtu.**
- Hoidke elektritööriista ainult isoleeritud haardepindadest, sest lõiketera võib sattuda kokkupuutesse varjatud juhtmetega. Pingestatud juhtme lõikamisel lõiketeraga võivad elektritööriista katmata metallosad pingestuda, mille tagajärjel võib seadme kasutaja saada elektrilöögi.**
- OHT - Hoidke käed terast eemal. Teraga kokkupuutumine võib põhjustada raske kehavigastuse.**
- Ärge kasutage hekitrimmerit vihmaga ega märgades ja väga niisketes tingimustes. Elektrimootor pole veekindel.**
- Algajale peaks kogunud hekitrimmeri kasutaja õpetama, kuidas trimmerit kasutada.**
- Lastel ja alla 18-aastastel noortel on hekitrimmeri kasutamine keelatud. Üle 16-aastased noored võivad olla nimetatud piirangust vabastatud, kui nad läbivad vastava väljaõppe asjatundja juhendamisel.**
- Kasutage hekitrimmerit vaid siis, kui olete heas füüsilises vormis. Teie tähelepanuvõime väheneb, kui olete väsinud. Olge eriti ettevaatlik tööpäeva lõpul. Töötage alati rahulikult ja ettevaatlikult. Kasutaja on vastutav kõigi kolmandatele osapooltele põhjustatud kahjude eest.**

9. Ärge kunagi töötage alkoholi, uimastite ega ravimite mõju all.
10. Tugevast nahast töökindad on osa põhivarustusest ja neid tuleb hekitrimmerit kasutades alati kanda. Samuti kandke vastupidavaid libisemisvastase tallaga jalanõusid.
11. Enne tööle asumist veenduge, et trimmer oleks heas töökorras ja turvaline. Veenduge, et kaitsmed oleks korralikult kinnitatud. Hekitrimmerit ei tohi kasutada, kui see pole täielikult kokku pandud.
12. Enne tööle asumist veenduge, et teil oleks kindel jalgealune.
13. Töötades hoidke tööriista kindlalt käes.
14. Ärge käituge tööriista tarbetult koormamata olekus.
15. Kui lõiketera satub kontakti aia või mõne muu kõva objektiga, lülitage mootor kohe välja ja eemaldage akukassett. Kontrollige, kas lõiketera on kahjustatud, kui on, siis parandage kohe.
16. Lülitage trimmer enne lõiketera kontrollimist, tõrgete eemaldamist või lõiketerasse kiilunud materjali eemaldamist alati välja ja eemaldage akukassett.
17. Lülitage trimmer välja ja eemaldage akukassett enne mis tahes hooldustoimingute tegemist.
18. Hekitrimmeri asukoha muutmisel, ka töötamise ajal, eemaldage alati akukassett ja paigaldage lõiketeradele terakate. Ärge kunagi transportige trimmerit, kui lõikur töötab. Ärge kunagi võtke käega lõiketerast kinni.
19. Enne trimmeri pikemaks ajaks hoiulepanekut ja pärast iga kasutust puhastage hekitrimmerit ja eriti lõiketera. Ölitage kergelt lõiketera ja pange kate peale. Trimmerit saab kaasas oleva katte abil riputada hoiulepanekuks turvaliselt ja praktiliselt seinale.
20. Hoidke hekitrimmerit kuivas ruumis kinnitatud kattega. Hoidke seda lastele kättesaamatus kohas. Ärge kunagi hoidke trimmerit õues.
21. Ärge kunagi suunake lõiketerasid enda ega teiste poole.
22. Kui terad ei liigu, kuna nende vahele on töö ajal jäänud võõrkehade, lülitage tööriist välja, eemaldage akukassett ja seejärel eemaldage võõrkehade sobivate tööriistadega (nt näpitsatega). Võõrkehade käsitsi eemaldamisel võib käsi saada vigastusi, kui terad võõrkehade eemaldamisel liiguvad.
23. Vältige ohtlikke piirkondi. Ärge kasutage seadet niisketes või märgades kohtades ega jätke seda vihma kätte. Seadmesse sisse sattunud vesi suurendab elektrilöögi ohtu.
24. Ärge visake kasutatud akut (akusid) tulle. Element võib plahvatada. Kasutatud akude käitlemise võimalikud erinõuded leiate vastavastavast kohalikest eeskirjadest.
25. Akut (akusid) ei tohi avada ega vigastada. Väljavalgunud elektrolüüt on söövitava toimega ning võib kahjustada silmi ja nahka. See võib osutada allaneelamisel mürgiseks.
26. Ärge laadige akut vihma käes ega märjas keskkonnas.
27. Enne tööriista kasutamist kontrollige hekke ja pöösaid seoses võõrkehadega, näiteks traataid või varjatud juhtmed.

HOIDKE JUHEND ALLES.

▲HOIATUS: ÄRGE UNUSTAGE järgida toote ohutusnõudeid mugavuse või toote (korduskasutamise) saavutatud hea tundmise tõttu. **VALE KASUTUS** või kasutusjuhendi ohutuseeskirjade eiramine võib põhjustada tervisekahjustusi.

Akukassetiga seotud olulised ohutusjuhised

1. Enne akukasseti kasutamist lugege (1) akulaadiljal, (2) akul ja (3) seadmel olevad juhtnõuad ja hoiatused läbi.
2. Ärge võtke akukassetti lahti.
3. Kui tööaeg järsult lüheneb, siis lõpetage kohe kasutamine. Edasise kasutamise tulemuseks võib olla ülekuumenemine, võimalikud põletused või isegi plahvatused.
4. Kui elektrolüüt satub silma, siis loputage silma puhta veega ja pöörduge koheselt arsti poole. Selline õnnetus võib põhjustada pimedaksjäämist.
5. Ärge tekitage akukassetis lühist:
 - (1) Ärge puutuge klemme elektrijuhtidega.
 - (2) Ärge hoidke akukassetti tööriistakastis koos metallsemetega, nagu naelad, mündid jne.
 - (3) Ärge tehke akukassetti märjaks ega jätke seda vihma kätte.
6. Akukassett võib põhjustada tugevat elektrivoolu, ülekuumenemist, põletusi ning ka seadet tõsiselt kahjustada.
7. Ärge põletage akukassetti isegi siis, kui see on saanud tõsiselt vigastada või on täiesti kulumine. Akukassett võib tules plahvatada.
8. Olge ettevaatlik, ärge laske akul maha kukkuda ja vältige lööke.
9. Ärge kasutage kahjustatud akut.
10. Sisalduvatele liitium-ioonakudele võivad kohalduvad ohtlike kaupade õigusaktide nõuded. Kaubanduslikul transportimisel, näiteks kolmanda poole või transpordiettevõtete poolt, tuleb järgida pakendil ja siltidel toodud erinõudeid. Transportimiseks ettevalmistamisel on vajalik pidada nõu ohtliku materjali eksperdigaga. Samuti tuleb järgida võimalike riiklike regulatsioonide üksikasjalikumaid nõudeid. Katke teibiga või varjake avatud kontaktid ja paken-dage aku selliselt, et see ei saaks paken-dis liikuda.
11. Järgige kasutusjuhendite muudatusi ja akude käitlemist kohalike eeskirjade järgi.
12. Kasutage akusid ainult Makita heaks kiidetud toodetega. Akude paigaldamine selleks mitte ettenähtud toodetele võib põhjustada süttimist, üleliigset kuumust, plahvatamist või elektrolüüdi lekkimist.

HOIDKE JUHEND ALLES.

▲ETTEVAATUST: Kasutage ainult Makita originaal-akusid. Mitte Makita originaal-akude või muudetud akude kasutamine võib põhjustada akude süttimise, kehavigastuse ja kahjustuse. Samuti muudab see kehtetuks Makita tööriista ja laadija Makita garantii.

Vihjeid aku maksimaalse kasutaja tagamise kohta

1. Laadige akukassetti enne selle täielikku tühjenemist. Kui märkate, et tööriist töötab väiksema võimsusega, peatage töö ja laadige akukassetti.
2. Ärge laadige täielikult laetud akukassetti. Ülelaadimine lühendab akude kasutusiga.
3. Laadige akukassetti toatemperatuuril 10 °C - 40 °C. Enne laadimist laske kuumenenud akukassetti maha jahtuda.
4. Kui te ei kasuta akukassetti kauem kui kuus kuud, laadige see.

FUNKTSIONAALNE KIRJELDUS

⚠ETTEVAATUST: Kandke alati hoolt selle eest, et tööriist oleks enne reguleerimist ja kontrollimist välja lülitatud ja akukassett eemaldatud.

Akukasseti paigaldamine või eemaldamine

⚠ETTEVAATUST: Lülitage tööriist alati enne akukasseti paigaldamist või eemaldamist välja.

⚠ETTEVAATUST: Akukasseti paigaldamisel või eemaldamisel tuleb tööriista ja akukassetti kindlalt paigal hoida. Kui tööriista ja akukassetti ei hoita kindlalt paigal, võivad need käest libiseda ning kahjustada tööriista ja akukassetti või põhjustada kehavigastusi.

► **Joon.1:** 1. Punane näidik 2. Nupp 3. Akukassett

Akukasseti eemaldamiseks libistage see tööriista küljest lahti, vajutades kassetti esiküljel paiknevat nuppu alla.

Akukasseti paigaldamiseks joondage akukasseti keel korpuse soonega ja libistage kassett oma kohale. Paigaldage akuadapter alati nii kaugele, et see lukustuks klõpsatusega oma kohale. Kui näete nupu ülaosas punast osa, pole kassett täielikult lukustunud.

















⚠ETTEVAATUST: Paigaldage akukassett alati täies ulatuses nii, et punast osa ei jääks näha. Muidu võib adapter juhuslikult tööriistast välja kukkuda ning põhjustada teile või läheduses viibivatele isikutele vigastusi.

⚠ETTEVAATUST: Ärge rakendage akukasseti paigaldamisel jõudu. Kui kassett ei lähe kergesti sisse, pole see õigesti paigaldatud.

Aku jääkmahutavuse näit

Ainult näidikuga akukassettidele













► **Joon.2:** 1. Märgulambid 2. Kontrollimise nupp
Akukasseti järelejäanud mahutavuse kontrollimiseks vajutage kontrollimise nuppu. Märgulambid süttivad mõneks sekundiks.

Märgulambid			Jääkmahutavus
 Poleb	 Ei pole	 Viigub	
			75 - 100%
			50 - 75%
			25 - 50%
			0 - 25%
			Laadige akut.
			Akul võib olla tõrge.
			

MÄRKUS: Näidatud mahutavus võib veidi erineda tegelikust mahutavusest olenevalt kasutustingimustest ja ümbritseva keskkonna temperatuurist.

Tööriista/aku kaitsesüsteem

Tööriist on varustatud tööriista või aku kaitsesüsteemiga. Süsteem lülitab mootori automaatselt välja, et pikendada tööriista ja aku tööiga. Tööriist seiskub käitamise ajal automaatselt, kui tööriista või aku kohta kehtib üks järgmistest tingimustest.

Olek	Märgulambid		
	 Poleb	 Ei pole	 Viigub
Ülekoormus			
Ülekuumenemine			
Ületühjenemine			

Ülekoormuskaitse

Kui tööriist on takerdunud okste või muu prahi tõttu ülekoormatud, hakkavad keskmised indikaatorid vilkuma ning tööriist seiskub automaatselt. Sellisel juhul lülitage tööriist välja ja lõpetage tööriista ülekoormuse põhjustanud tegevus. Pärast seda käivitage tööriist uuesti.

TÄHELEPANU: Olenevalt kasutustingimustest lülitatakse tööriist automaatselt välja, ilma et näidataks, kas tööriist on takerdunud okste või muu prahi tõttu ülekoormatud. Sellisel juhul lülitage tööriist välja, võtke ära akukasett ning eemaldage nt tangide abil kõik takerdunud oksad või muu praht. Pärast okste või prahi eemaldamist pange akukasett tagasi ja lülitage tööriist uuesti sisse.

Tööriista/aku ülekuumenemiskaitse

Ülekuumenemist on kahte tüüpi: tööriista ülekuumenemine ja aku ülekuumenemine. Tööriista ülekuumenemisel hakkavad kõik kiirusnäidikud vilkuma. Aku ülekuumenemise korral vilgub näidik. Ülekuumenemise korral seiskub tööriist automaatselt. Laske tööriistal ja/või akul maha jahtuda, enne kui selle uuesti sisse lülitate.

Ülelaadimiskaitse

Kui aku laetuse tase on madal, seiskub tööriist automaatselt ja näidik hakkab vilkuma. Kui tööriist ei hakka tööle ka lülite vajutamisel, eemaldage sellest aku ja laadige seda.

Käepideme nurga seadistamine

ÄTTEVAATUST: Veenduge alati enne käitamist, et käpide oleks lukustatud soovitud asendisse.

ÄTTEVAATUST: Ärge tõmmake käepideme avamiseks hooba alla, samal ajal lüliti päästikut tõmmates. Ärge tõmmake lüliti päästikut, samal ajal hooba all hoides ja käepidet pöörates. Muidu võib tööriist lõpetada nõuetekohase toimimise.

Käepideme saate seadistada 0°, 45° või 90° nurga all nii paremale kui ka vasakule. Käepideme nurga muutmiseks pöörake käepidet, samal ajal hooba allapoole tõmmates, ja seejärel vabastage hoob.

► Joon.3: 1. Hoob

Toitelüliti talitus

ÄHOIATUS: Ohutuse huvides on sellel tööriistal lahtilukustuse hoob, mis hoiab ära tööriista ootamatut käivitumist. ÄRGE KUNAGI kasutage tööriista, kui see hakkab tööle lihtsalt lüliti hoova vajutamisel ja lüliti päästiku tõmbamisel, lahtilukustuse hooba vajutamata. ENNE edasist kasutamist viige masin parandamiseks meie volitatud teeninduskuskesse.

ÄHOIATUS: ÄRGE KUNAGI teipige lahtilukustuse hooba kinni ega üritage selle funktsiooni blokeerida.

ÄHOIATUS: Kontrollige alati enne akukasetti tööriista külge paigaldamist, kas lüliti päästik ja lüliti hoob funktsioneerivad nõuetekohaselt ning liiguvad lahtilaskmisel tagasi väljalülitatud asendisse. Tööriista juhtimine lüliti abil, mis ei toimi korralikult, võib kaasa tuua kontrolli kaotamise sae üle ja põhjustada tõsiseid vigastusi.

ÄTTEVAATUST: Ärge asetage kandmise ajal oma sõrme lülitele. Tööriist võib tahtmatult käivituda ja põhjustada vigastuse.

TÄHELEPANU: Ärge tõmmake lüliti päästikut jõuga ilma lahtilukustuse hooba vajutamata. See võib põhjustada lüliti purunemise.

Tööriista sisselülitamiseks vajutage toitenuppu. Tööriista sisselülitamisel süttib toitetuli. Tööriista väljalülitamiseks vajutage uuesti mõneks sekundiks toitenuppu. Tööriista väljalülitamisel toitetuli kustub.

► Joon.4: 1. Toitelamp 2. Toitenupp

MÄRKUS: Tööriist lülitub automaatselt välja, kui seda teatud aja jooksul ei kasutata.

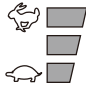


Lüliti päästiku juhusliku vajutamise vältimiseks on tööriistal lukust avamise hoob. Tööriista käivitamiseks vajutage alla lukustushoob, seejärel vajutage lülitihooba ja tõmmake lüliti päästikut. Tööriista kiirus kasvab, kui suurendate survet lüliti päästikule. Seiskamiseks vabastage lüliti päästik.

► Joon.5: 1. Hoobüliti 2. Lahtilukustuse hoob 3. Lüliti päästik

Kiiruse reguleerimine

Tööriista kiiruse reguleerimiseks tuleb puudutada kergelt toitenuppu. Iga kord, kui peatoitenuppu koputada, muutub kiiruse tase.

► Joon.6: 1. Toitelamp 2. Toitenupp

Näidik	Režiim	Käigu kiirus
	Kiire	4 400 min ⁻¹
	Keskmine	3 600 min ⁻¹
	Aeglane	2 000 min ⁻¹

Suunamuutmisnupp prahi eemaldamiseks

ÄHOIATUS: Kui suuna muutmise abil ei saa kinnijäänud harusid või prahti eemaldada, siis lülitage tööriist välja, võtke akukasett ära ning eemaldage nt tangide abil kõik takerdunud oksad või muu praht. Kui jätta tööriist välja lülitamata ja akukasett eemaldamata, võib tööriista juhuslik käivitumine põhjustada raske kehavigastuse. Kinnijäänud okste või prahi eemaldamine käsitsi võib põhjustada vigastusi, sest lõiketerad võivad nende eemaldamisel liikuda.

Sellel tööriistal on suunamuutmisnupp, millega saab muuta lõiketerade pöörlemise suunda. See on ette nähtud ainult tööriista külge takerdunud okste ja prahi eemaldamiseks. Lõiketerade pöörlemise suuna muutmiseks puudutage pärast lõiketerade seiskumist suunamuutmisnuppu, seejärel vajutage lülitushooba, tõmmake lüliti päästikut ja vajutage samal ajal lukustushooba. Teitenupp hakkab vilkuma ja lõiketerad hakkavad pöörlema vastupidises suunas. Kui kinnijäänud oksad ja praht on eemaldatud, naaseb tööriist tavaolekusse, toite märgutuli lõpetab vilkumise ja süttib.

► **Joon.7:** 1. Suunamuutmisnupp

MÄRKUS: Kui kinnijäänud oksid või praht ei õnnestu eemaldada, vabastage ja tõmmake lüliti päästikut, kuni need on eemaldatud.

MÄRKUS: Kui vajutate suunamuutmisnuppu ajal, kui lõiketerad veel pöörlevad, siis tööriist seiskub ja on seejärel valmis pöörlemiseks vastupidises suunas.

KOKKUPANEK

⚠ETTEVAATUST: Kandke alati hoolt selle eest, et tööriist oleks enne igasuguseid hooldustöid välja lülitatud ja akusselt eemaldatud.

⚠ETTEVAATUST: Lõiketerade paigaldamisel kandke alati kindaid ja olge ettevaatlik, et käed ei satuks teraga otsesesse kontakti.

TÄHELEPANU: Lõiketerade asendamisel ärge pühkige hammasrattalt ega vändalt määret maha.

Lõiketerade paigaldamine või eemaldamine

⚠ETTEVAATUST: Paigaldage enne lõiketerade eemaldamist või paigaldamist terakate.

Saate oma tööriistale paigaldada 500 mm, 600 mm või 750 mm lõiketerad.

1. Asetage tööriist tagurpidi ja seejärel eemaldage 6 kruvi.

► **Joon.8:** 1. Kruvi

2. Eemaldage kate ja plaat.

► **Joon.9:** 1. Kate 2. Plaat

MÄRKUS: Plaat võib jääda katte külge.

3. Eemaldage varras.

► **Joon.10:** 1. Varras

MÄRKUS: Varras võib jääda katte külge.

4. Eemaldage 2 kruvi, viiltald, seibid ja hülsid ning eemaldage lõiketerad.

► **Joon.11:** 1. Viiltald 2. Kruvi 3. Seib 4. Hüls
5. Lõiketerad

5. Eemaldage terakate.

6. Kinnitage terakate uutele lõiketeradele.

7. Reguleerige vända nii, et 2 ava joonduksid joondusjoonega.

► **Joon.12:** 1. Ava 2. Joondusjoon

8. Joondage lõiketerade eenduvad osad vertikaalselt samasse asendisse.

► **Joon.13:** 1. Eenduv osa

9. Kinnitage viiltald lõiketeradele.

► **Joon.14:** 1. Viiltald

10. Sisestage lõiketerade väljaulatuvad osad varda avasse, seadke viiltald kohakuti tööriista aukudega ning seejärel kinnitage uued seibid ja tihtvid.

► **Joon.15:** 1. Eenduv osa 2. Ava 3. Viiltald 4. Seib
5. Hüls

TÄHELEPANU: Kandke väike kogus määret varda ava siseäärele.

TÄHELEPANU: Olge tähelepanelik, et mitte kaotada seibe ega tihtvide.

11. Joondage lõiketerade avad tööriista avadega ja seejärel pingutage 2 kruvi, et lõiketerad fikseerida.

► **Joon.16:** 1. Kruvi 2. Ava

12. Kinnitage varras.

► **Joon.17:** 1. Varras 2. Väike ava

TÄHELEPANU: Kandke väike kogus määret varda väikese ava siseäärele.

TÄHELEPANU: Veenduge, et lõiketerade eenduv osa sobiks varda väikese avaga.

13. Kinnitage plaat.

► **Joon.18:** 1. Eenduv osa 2. Plaat

TÄHELEPANU: Veenduge, et lõiketerade eenduv osa sobiks plaadi avaga.

14. Kinnitage kate ja seejärel keerake kinni 6 kruvi.

► **Joon.19:** 1. Kate 2. Kruvi

TÄHELEPANU: Kindlasti kinnitage keskavadesse 2 pikka kruvi.

TÄHELEPANU: Kui lõiketerad ei tööta ühtlaselt, ei haaku terad varrastega õigesti. Paigaldage lõiketerad uuesti.

TÄHELEPANU: Kui lõiketeradest erinevad osad (näiteks vardad) on kulunud, küsige Makita ametlikust teeninduskeskusest varuosi või laske teha parandustööd.

Laastukoguja paigaldamine ja eemaldamine

Lisatarvik

⚠ETTEVAATUST: Laastukoguja paigaldamisel või eemaldamisel kandke alati kindaid ja kandke hoolt selle eest, et käed ei satuks lõiketeradega otsesesse kontakti.

TÄHELEPANU: Terakatet ei saa paigaldada, kui laastukoguja on tööriistale paigaldatud. Enne tööriista transporti või hoiustamist eemaldage laastukoguja ja paigaldage terakate, et vältida lõiketera kaitseta jätmist.

TÄHELEPANU: Enne laastukoguja paigaldamist eemaldage kindlasti terakate.

Laastukoguja kogub kõrvaleheidetud lehti ja muudab hilisema puhastamise oluliselt lihtsamaks. Selle saab paigaldada tööriista ükskõik kummale küljele.

Laastukoguja paigaldamiseks joondage laastukoguja konksud lõiketeradel olevate noolemärkidega ja seejärel vajutage laastukoguja lõiketerade vastu nii, et konksud sobituks lõiketera soontega.

► **Joon.20:** 1. Konks 2. Noolemärk

► **Joon.21:** 1. Konks

TÄHELEPANU: Veenduge, et laastukoguja ei kattuks otsakaitsega.

► **Joon.22:** 1. Otsakaitse

Laastukoguja eemaldamiseks vajutage mõlemal küljel hoobadele, et konksud vabastada.

► **Joon.23:** 1. Hoob

TÄHELEPANU: Ärge kunagi proovige laastukogujat jõuga eemaldada, kui selle konksud on lukustatud lõiketerade soontesse.

TÖÖRIISTA KASUTAMINE

HOIATUS: Hoidke käed lõiketeradest eemal.

ETTEVAATUST: Vältige nii palju kui võimalik tööriista kasutamist väga kuuma ilmaga. Pidage tööriista kasutamisel silmas oma füüsilist vormi.

ETTEVAATUST: Olge lõigates ettevaatlik, et trimmer ei satuks kontakti metalliaia ega mõne muu kõva esemega. Lõiketerad võivad puruneda ja põhjustada kehavigastusi.

ETTEVAATUST: Olge ettevaatlik, et lõiketerad ei puutuks vastu maad. Tööriist võib tagasi lüüa ja põhjustada kehavigastusi.

ETTEVAATUST: Liigne upitamine hekitrimmeriga, eriti redelilt, on väga ohtlik. Ärge töötage, kui seisate kõikuval ega ebakindlal pinnal.

TÄHELEPANU: Ärge püüdke tööriistaga lõigata jämedamaid okski kui 10 mm. Lõigake enne tööriista kasutamist oksad oksalõikuriga lõikekõrgusest kuni 10 cm madalamaks.

► **Joon.24:** (1) Lõikekõrgus (2) 10 cm

TÄHELEPANU: Ärge lõigake maha surnud puid ega sarnaseid kõvasid asju. See võib kahjustada tööriista.

TÄHELEPANU: Rohu ega umbrohtu ei tohi lõiketeradega lõigata. Lõiketerad võivad rohtu või umbrohtu takerduda.

Hoidke tööriista mõlema käega, vajutage lüliti hooba ja tõmmake lüliti päästikut samal ajal lukustushooba vajutades ja tööriista edasi liigutades.

► **Joon.25**

Tavakasutajate kallutatud lõiketerasid lõikesuunas ning liigutage tööriista rahulikult ja aeglaselt kiirusega 3 kuni 4 sekundit meetri kohta.

► **Joon.26**

Heki ülemise osa ühtlaseks pügamiseks siduge pügamiskõrgusele nõõr ja lõigake mööda seda.

► **Joon.27**

Kui laastukoguja on lõiketeradele kinnitatud, kogub see kõrvaleheidetud lehti ja muudab hilisema puhastamise oluliselt lihtsamaks.

► **Joon.28**

Heki ühtlaselt lõikamiseks küljelt lõigake seda alt üles.

► **Joon.29**

Kui soovite lõigata ümarat kuju (pukspuu, rododendron), lõigake kauni tulemuse saamiseks alt üles.

► **Joon.30**

HOOLDUS

ETTEVAATUST: Enne kontrolli- või hooldustoimingute tegemist kandke alati hoolt selle eest, et tööriist oleks välja lülitatud ja akukassett korpusse küljest eemaldatud.

Toote OHUTUSE ja TÖÖKINDLUSE tagamiseks tuleb vajalikud remonttööd ning muud hooldus- ja reguleerimistööd lasta teha Makita volitatud teeninduskeskustes või tehase teeninduskeskustes. Alati tuleb kasutada Makita varuosi.

Tööriista puhastamine

Tööriista puhastamiseks pühkige sellelt kuiva või seebi- vette kastetud ja välja väänatud lapiga tolm.

TÄHELEPANU: Ärge kunagi kasutage bensiini, vedeldit, alkoholi ega midagi muud sarnast. Selle tulemuseks võib olla luitumine, deformatsioon või pragunemine.

Lõiketera hooldamine

Enne tööle asumist või töö käigus kord tunnis kandke lõiketeradele väikese viskoossusega õli (masinaõli või puhustatav määrdeõli).

► **Joon.31**

Pärast kasutamist eemaldage lõiketerade mõlemalt küljelt traatharjaga tolm, pühkige see lapiga ära ja seejärel kandke teradele väikese viskoossusega õli (masinaõli või puhustatav määrdeõli).

► **Joon.32**

TÄHELEPANU: Ärge peske lõiketerasid vees. Eiramise korral võib tööriist roostetada või viga saada.

TÄHELEPANU: Mustus ja korrosioon põhjustavad terade ülemäärast hõõrdumist ning lühendada tööaega aku laadimiskorra kohta.

Hoistamine

Tööriista all oleva konksuauguga on mugav riputada tööriista seinale naela või kruvi otsa. Kinnitage terakate lõiketeradele nii, et terad ei paistaks välja. Hoidke tööriista lastele kättesaamatus kohas. Hoidke tööriista kohas, kuhu ei pääse niiskust ega vihma.

► **Joon.33:** 1. Auk

Lõiketerade teritamine

TÄHELEPANU: Kui lõiketerad on kasutamise tulemusena tunduvalt deformeerunud, vahetage lõiketerad uute vastu.

1. Paigaldage akukassett tööriista külge.
2. Lülitage tööriist sisse ja käivitage see nii, et ülemine ja alumine tera paikneksid vaheldumisi.

► **Joon.34**

3. Lülitage tööriist välja ja eemaldage sellest akukassett.

4. Eemaldage kruvi ja seejärel terakaitse.

► **Joon.35:** 1. Kruvi 2. Otsakaitse

5. Seadke viili nurk 45°-ni ja lihvide ülemist tera viiliga 3 suunda.

► **Joon.36:** (1) Viil (2) 45°

ETTEVAATUST: Enne lõiketera viilimist kandke alati hoolt selle eest, et tööriist oleks välja lülitatud ja akukassett eemaldatud.

6. Asetage tööriist tagurpidi ja seejärel eemaldage viiliga lõiketeradelt ebatasasused.

► **Joon.37:** 1. Viil

7. Seadke viili nurk 45°-ni ja lihvide alumist tera viiliga 3 suunda.

8. Asetage tööriist tavaasendisse ja seejärel eemaldage viiliga lõiketeradelt ebatasasused.

9. Kinnitage kruve pingutades otsakaitse.

Määrimine

Määrimise intervall: Iga 100 töötunni järel

1. Eemaldage 3 kruvi ja seejärel põhjakate.

► **Joon.38:** 1. Kruvi 2. Põhjakate

2. Eemaldage määrimisanuma kork, seejärel kinnitage määrimisanum seda keerates katte ava külge.

► **Joon.39:** 1. Kate 2. Aluse määrimine

3. Määrige tööriista (ligikaudu 5 g juhendi järgi).

4. Eemaldage määrimisanum.

5. Kinnitage põhjakate ja seejärel keerake kinni 3 kruvi.

VALIKULISED TARVIKUD

ETTEVAATUST: Neid tarvikuid ja lisaseadiseid on soovitatav kasutada koos Makita tööriistaga, mille kasutamist selles kasutusjuhendis kirjeldatakse. Muude tarvikute ja lisaseadiste kasutamiseiga kaasneb vigastada saamise oht. Kasutage tarvikuid ja lisaseadiseid ainult otstarbekohaselt.

Saate vajaduse korral kohalikust Makita teeninduskeskusest liseatevat nende tarvikute kohta.

- Lõiketera koost
- Lõiketera kate
- Laastukoguja
- Aluse määrimine
- Makita algupärane aku ja laadija

MÄRKUS: Mõned nimekirjas loetletud tarvikud võivad kuuluda standardvarustusse ning need on lisatud tööriista pakendisse. Need võivad riigiti erineda.

ТЕХНИЧЕСКИЕ ХАРАКТЕРИСТИКИ

Модель:	DUH501	DUH601	DUH751
Длина ножа	500 мм	600 мм	750 мм
Рабочая частота	0 – 4 400 мин ⁻¹		
Общая длина	1 016 мм	1 121 мм	1 261 мм
Номинальное напряжение	18 В пост. тока		
Масса нетто	3,8 – 4,5 кг		

Модель:	DUH502	DUH602	DUH752
Длина ножа	500 мм	600 мм	750 мм
Рабочая частота	0 – 4 400 мин ⁻¹		
Общая длина	1 016 мм	1 121 мм	1 261 мм
Номинальное напряжение	18 В пост. тока		
Масса нетто	3,8 – 4,5 кг		

- Благодаря нашей постоянно действующей программе исследований и разработок указанные здесь технические характеристики могут быть изменены без предварительного уведомления.
- Технические характеристики могут различаться в зависимости от страны.
- Масса может отличаться в зависимости от дополнительного оборудования. Обратите внимание, что блок аккумулятора также считается дополнительным оборудованием. В таблице представлены комбинации с наибольшим и наименьшим весом в соответствии с процедурой EPTA 01/2014.

Подходящий блок аккумулятора

BL1815N / BL1820 / BL1820B / BL1830 / BL1830B / BL1840 / BL1840B / BL1850 / BL1850B / BL1860B

- В зависимости от региона вашего проживания некоторые блоки аккумуляторов, перечисленные выше, могут быть недоступны.

⚠ ОСТОРОЖНО: Используйте только перечисленные выше блоки аккумуляторов. Использование других блоков аккумуляторов может привести к травме и/или пожару.

Символы

Ниже приведены символы, используемые для оборудования. Перед использованием убедитесь, что вы понимаете их значение.



Прочитайте руководство по эксплуатации.



Беречь от влаги.



Ni-MH
Li-Ion

Только для стран ЕС
Не выбрасывайте электрооборудование или аккумуляторы вместе с бытовым мусором!

В соответствии с европейскими директивами об утилизации электрического и электронного оборудования, о батареях и аккумуляторах, а также использованных батареях и аккумуляторах и их применении в соответствии с местными законами электрооборудование, батареи и аккумуляторы, срок эксплуатации которых истек, должны утилизироваться отдельно и передаваться для утилизации на предприятие, соответствующее применяемым правилам охраны окружающей среды.

Назначение

Инструмент предназначен для подрезки живой изгороди.

Модель	Уровень звукового давления		Уровень звуковой мощности	
	L_{pa} (дБ(A))	Погрешность, К (дБ(A))	L_{pwa} (дБ(A))	Погрешность, К (дБ(A))
DUN501	84	3	97	3
DUN601	82	3	95	3
DUN751	84	3	97	3
DUN502	81,3	3	86,8	3
DUN602	82,1	3	87,4	3
DUN752	80,5	3	87,8	3

ПРИМЕЧАНИЕ: Заявленное значение распространения шума измерено в соответствии со стандартной методикой испытаний и может быть использовано для сравнения инструментов.

ПРИМЕЧАНИЕ: Заявленное значение распространения шума можно также использовать для предварительных оценок воздействия.

⚠ОСТОРОЖНО: Используйте средства защиты слуха.

⚠ОСТОРОЖНО: Распространение шума во время фактического использования электроинструмента может отличаться от заявленного значения в зависимости от способа применения инструмента и в особенности от типа обрабатываемой детали.

⚠ОСТОРОЖНО: Обязательно определите меры безопасности для защиты оператора, основанные на оценке воздействия в реальных условиях использования (с учетом всех этапов рабочего цикла, таких как выключение инструмента, работа без нагрузки и включение).

Вибрация

Суммарное значение вибрации (сумма векторов по трем осям), определенное в соответствии с EN60745-2-15:

Модель DUN501

Распространение вибрации (a_n): 2,5 м/с²
Погрешность (К): 1,5 м/с²

Модель DUN601

Распространение вибрации (a_n): 2,5 м/с² или менее
Погрешность (К): 1,5 м/с²

Модель DUN751

Распространение вибрации (a_n): 2,5 м/с²
Погрешность (К): 1,5 м/с²

Модель DUN502

Распространение вибрации (a_n): 2,5 м/с²
Погрешность (К): 1,5 м/с²

Модель DUN602

Распространение вибрации (a_n): 2,5 м/с² или менее
Погрешность (К): 1,5 м/с²

Модель DUN752

Распространение вибрации (a_n): 2,5 м/с² или менее
Погрешность (К): 1,5 м/с²

ПРИМЕЧАНИЕ: Заявленное общее значение распространения вибрации измерено в соответствии со стандартной методикой испытаний и может быть использовано для сравнения инструментов.

ПРИМЕЧАНИЕ: Заявленное общее значение распространения вибрации можно также использовать для предварительных оценок воздействия.

⚠ОСТОРОЖНО: Распространение вибрации во время фактического использования электроинструмента может отличаться от заявленного значения в зависимости от способа применения инструмента и в особенности от типа обрабатываемой детали.

⚠ОСТОРОЖНО: Обязательно определите меры безопасности для защиты оператора, основанные на оценке воздействия в реальных условиях использования (с учетом всех этапов рабочего цикла, таких как выключение инструмента, работа без нагрузки и включение).

Декларация о соответствии ЕС

Только для европейских стран

Декларация о соответствии ЕС включена в руководство по эксплуатации (Приложение А).

МЕРЫ БЕЗОПАСНОСТИ

Общие рекомендации по технике безопасности для электроинструментов

⚠ОСТОРОЖНО: Ознакомьтесь со всеми представленными инструкциями по технике безопасности, указаниями, иллюстрациями и техническими характеристиками, прилагаемыми к данному электроинструменту. Несоблюдение каких-либо инструкций, указанных ниже, может привести к поражению электрическим током, пожару и/или серьезной травме.

Сохраните брошюру с инструкциями и рекомендациями для дальнейшего использования.

Термин "электроинструмент" в предупреждениях относится ко всему инструменту, работающему от сети (с проводом) или на аккумуляторах (без провода).

Правила техники безопасности при эксплуатации аккумуляторного кустореза

1. Не приближайтесь к режущему диску. Не удаляйте срезанные ветки и не придерживайте ветки, которые собираетесь срезать, когда диски находятся в движении. Удаляя застрявшие обрезки, убедитесь, что инструмент выключен. Секундная невнимательность при работе с электрическим кусторезом может привести к тяжелой травме.
2. После остановки режущего диска электрический кусторез можно переносить за ручку. При транспортировке или хранении электрического кустореза обязательно устанавливайте чехол на режущий блок. При правильном обращении с электрическим кусторезом снижается вероятность получения травм от режущих дисков.
3. Держите электроинструмент только за специально предназначенные изолированные поверхности, так как при выполнении работ существует риск контакта режущего диска со скрытой электропроводкой. В случае контакта режущих дисков инструмента с проводом под напряжением они также окажутся под напряжением, что может привести к поражению оператора электрическим током.
4. **ОПАСНО - Держите руки на расстоянии от режущего диска.** Прикосновение к диску может привести к серьезной травме.
5. **Не пользуйтесь инструментом во время дождя и в условиях высокой влажности.** Электромотор не защищен от влаги.
6. Если вы используете электрический кусторез впервые, необходимо, чтобы опытный специалист показал приемы работы с ним.
7. Электрическим кусторезом не должны пользоваться дети или лица, не достигшие 18-летнего возраста. Лица старше 16 лет могут не подпадать под действие этого ограничения в случае, если они проходят обучение под надзором специалиста.
8. Используйте электрический кусторез только в том случае, если находитесь в хорошей физической форме. Если вы устали, ваше внимание будет ослаблено. Соблюдайте особую осторожность в конце рабочего дня. Выполняйте все работы спокойно и аккуратно. Пользователь несет ответственность за ущерб, причиненный третьим лицам.
9. Инструмент запрещается использовать после приема алкоголя, наркотиков или лекарственных препаратов.
10. Перчатки из толстой кожи являются обязательной сопутствующей принадлежностью. Обязательно надевайте их при эксплуатации электрического кустореза. Кроме того, обязательно обувайте прочные ботинки с противоскользящими подошвами.
11. Перед началом работы убедитесь, что инструмент находится в исправном состоянии. Проверьте наличие и правильность установки соответствующих защитных ограждений. Электрический кусторез можно использовать только в полностью собранном виде.
12. Перед началом работы займите устойчивое положение.
13. Во время работы крепко удерживайте инструмент.
14. Не эксплуатируйте инструмент без нагрузки, если в этом нет необходимости.
15. Немедленно выключите двигатель и извлеките блок аккумулятора, если режущий диск инструмента заденет ограду или другой твердый предмет. Проверьте режущий диск на предмет повреждений, если они имеются – незамедлительно устранили.
16. Перед проверкой режущего диска, устранением неисправностей или удалением застрявшего в инструменте материала обязательно выключите инструмент и извлеките блок аккумулятора.
17. Перед выполнением технического обслуживания выключите электрический кусторез и извлеките блок аккумулятора.
18. Переноса электрический кусторез в другое место (в том числе во время работы), обязательно извлекайте блок аккумулятора и устанавливайте чехол лезвия на режущие диски. Запрещается переносить или перевозить инструмент с движущимся режущим диском. Запрещается братья руками за режущий диск.
19. После использования электрического кустореза, а также перед длительным хранением очищайте его. При выполнении этой процедуры уделяйте особое внимание режущему диску. Слегка смажьте режущий диск и наденьте чехол. Чехол, поставляемый в комплекте с кусторезом, можно вешать на стену. Это безопасный и удобный способ хранения данного инструмента.
20. Храните электрический кусторез в чехле в сухом помещении. Берегите от детей. Запрещается хранить электрический кусторез вне помещения.
21. Никогда не направляйте лезвия секатора на себя или окружающих.
22. Если во время работы ножи останавливаются вследствие застревания между ними посторонних предметов, отключите инструмент и извлеките блок аккумулятора, после чего удалите посторонние предметы, например, плоскогубцами. Удаление посторонних предметов руками сопряжено с риском травмирования, поскольку при удалении посторонних предметов ножи могут сместиться.
23. Избегайте опасных сред. Не используйте инструмент в местах с повышенной влажностью и под дождем. Попавшая в инструмент вода повышает опасность поражения электрическим током.
24. Не бросайте аккумуляторные блоки в огонь. Они могут взорваться. Уточните местные правила утилизации аккумуляторов.

25. Не вскрывайте и не разбирайте аккумуляторные блоки. Содержащийся в них электролит очень едкий, вы можете повредить глаза или кожу. При проглатывании может привести к отравлению.
26. Не заряжайте аккумулятор под дождем или в местах с повышенной влажностью.
27. Перед началом работ с инструментом проверяйте изгороди и кустарники на наличие посторонних предметов, таких как проволочные ограждения или скрытая электропроводка.

СОХРАНИТЕ ДАННЫЕ ИНСТРУКЦИИ.

▲ОСТОРОЖНО: НЕ ДОПУСКАЙТЕ, чтобы удобство или опыт эксплуатации данного устройства (полученный от многократного использования) доминировали над строгим соблюдением правил техники безопасности при обращении с этим устройством. **НЕПРАВИЛЬНОЕ ИСПОЛЬЗОВАНИЕ** инструмента или несоблюдение правил техники безопасности, указанных в данном руководстве, может привести к тяжелой травме.

Важные правила техники безопасности для работы с аккумуляторным блоком

1. Перед использованием аккумуляторного блока прочитайте все инструкции и предупреждающие надписи на (1) зарядном устройстве, (2) аккумуляторном блоке и (3) инструменте, работающем от аккумуляторного блока.
2. Не разбирайте аккумуляторный блок.
3. Если время работы аккумуляторного блока значительно сократилось, немедленно прекратите работу. В противном случае, может возникнуть перегрев блока, что приведет к ожогам и даже к взрыву.
4. В случае попадания электролита в глаза промойте их обильным количеством чистой воды и немедленно обратитесь к врачу. Это может привести к потере зрения.
5. Не замыкайте контакты аккумуляторного блока между собой:
 - (1) Не прикасайтесь к контактам какими-либо токопроводящими предметами.
 - (2) Не храните аккумуляторный блок в контейнере вместе с другими металлическими предметами, такими как гвозди, монеты и т. п.
 - (3) Не допускайте попадания на аккумуляторный блок воды или дождя.
 Замыкание контактов аккумуляторного блока между собой может привести к возникновению большого тока, перегреву, возможным ожогам и даже поломке блока.
6. Не храните инструмент и аккумуляторный блок в местах, где температура может достигать или превышать 50 °C (122 °F).

7. Не бросайте аккумуляторный блок в огонь, даже если он сильно поврежден или полностью вышел из строя. Аккумуляторный блок может взорваться под действием огня.
8. Не роняйте и не ударяйте аккумуляторный блок.
9. Не используйте поврежденный аккумуляторный блок.
10. Входящие в комплект литий-ионные аккумуляторы должны эксплуатироваться в соответствии с требованиями законодательства об опасных товарах.

При коммерческой транспортировке, например, третьей стороной или экспедитором, необходимо нанести на упаковку специальные предупреждения и маркировку.

В процессе подготовки устройства к отправке обязательно проконсультируйтесь со специалистом по опасным материалам. Также соблюдайте местные требования и нормы. Они могут быть строже.

Закройте или закрепите разомкнутые контакты и упакуйте аккумулятор так, чтобы он не перемещался по упаковке.

11. Выполняйте требования местного законодательства относительно утилизации аккумуляторного блока.
12. Используйте аккумуляторы только с продукцией, указанной Makita. Установка аккумуляторов на продукцию, не соответствующую требованиям, может привести к пожару, перегреву, взрыву или утечке электролита.

СОХРАНИТЕ ДАННЫЕ ИНСТРУКЦИИ.

▲ВНИМАНИЕ: Используйте только фирменные аккумуляторные батареи Makita. Использование аккумуляторных батарей, не произведенных Makita, или батарей, которые были подвергнуты модификациям, может привести к взрыву аккумулятора, пожару, травмам и повреждению имущества. Это также автоматически аннулирует гарантию Makita на инструмент и зарядное устройство Makita.

Советы по обеспечению максимального срока службы аккумулятора

1. Заряжайте блок аккумуляторов перед его полной разрядкой. Обязательно прекратите работу с инструментом и зарядите блок аккумуляторов, если вы заметили снижение мощности инструмента.
2. Никогда не подзаряжайте полностью заряженный блок аккумуляторов. Перезарядка сокращает срок службы аккумулятора.
3. Заряжайте блок аккумуляторов при комнатной температуре в 10 - 40 °C (50 - 104 °F). Перед зарядкой горячего блока аккумуляторов дайте ему остыть.
4. Зарядите ионно-литиевый аккумуляторный блок, если вы не будете пользоваться инструментом длительное время (более шести месяцев).

ОПИСАНИЕ РАБОТЫ

ВНИМАНИЕ: Перед регулировкой или проверкой функций инструмента обязательно убедитесь, что он выключен и его аккумуляторный блок снят.

Установка или снятие блока аккумуляторов

ВНИМАНИЕ: Обязательно выключайте инструмент перед установкой и извлечением аккумуляторного блока.

ВНИМАНИЕ: При установке и извлечении аккумуляторного блока крепко удерживайте инструмент и аккумуляторный блок. Если не соблюдать это требование, они могут выскользнуть из рук, что приведет к повреждению инструмента, аккумуляторного блока и травмированию оператора.

► **Рис.1:** 1. Красный индикатор 2. Кнопка 3. Блок аккумулятора

Для снятия аккумуляторного блока нажмите кнопку на лицевой стороне и извлеките блок.

Для установки аккумуляторного блока совместите выступ аккумуляторного блока с пазом в корпусе и задвиньте его на место. Устанавливайте блок до упора так, чтобы он зафиксировался на месте с небольшим щелчком. Если вы можете видеть красный индикатор на верхней части клавиши, адаптер аккумулятора не полностью установлен на месте.

ВНИМАНИЕ: Обязательно устанавливайте аккумуляторный блок до конца, чтобы красный индикатор не был виден. В противном случае аккумуляторный блок может выпасть из инструмента и нанести травму вам или другим людям.

ВНИМАНИЕ: Не прилагайте чрезмерных усилий при установке аккумуляторного блока. Если блок не двигается свободно, значит он вставлен неправильно.

Индикация оставшегося заряда аккумулятора

Только для блоков аккумулятора с индикатором

► **Рис.2:** 1. Индикаторы 2. Кнопка проверки

Нажмите кнопку проверки на аккумуляторном блоке для проверки заряда. Индикаторы загорятся на несколько секунд.

Индикаторы			Уровень заряда
Горит	Выкл.	Мигает	
■	□	▣	от 75 до 100%
■	■	■	от 50 до 75%
■	■	□	от 25 до 50%
■	□	□	от 0 до 25%
▣	□	□	Зарядите аккумуляторную батарею.
■	■	□	Возможно, аккумуляторная батарея неисправна.
□	□	■	


ПРИМЕЧАНИЕ: В зависимости от условий эксплуатации и температуры окружающего воздуха индикация может незначительно отличаться от фактического значения.

Система защиты инструмента/аккумулятора

На инструменте предусмотрена система защиты инструмента/аккумулятора. Она автоматически отключает питание двигателя для продления срока службы инструмента и аккумулятора. Инструмент автоматически остановится во время работы в следующих случаях:

Состояние	Индикаторы		
	■ Вкл	□ Выкл	▣ Мигает
Перегрузка			
Перегрев			
Чрезмерная разрядка			


Защита от перегрузки

При перегрузке инструмента из-за накопления в нем веток или другого мусора значок  и средние индикаторы начнут мигать, а инструмент остановится.

В этом случае выключите инструмент и прекратите работу, повлекшую перегрузку инструмента. Затем включите инструмент для перезапуска.


ПРИМЕЧАНИЕ: В зависимости от условий эксплуатации инструмент может автоматически отключаться без включения каких-либо индикаторов при перегрузке из-за накопившихся веток или мусора. В этом случае следует отключить питание инструмента и извлечь блок аккумулятора, после чего удалить накопившиеся ветки или мусор, например, с помощью плоскогубцев. После удаления веток или мусора установите блок аккумулятора на место и включите инструмент.

Защита инструмента или аккумулятора от перегрева

Существует два типа перегрева: перегрев инструмента и перегрев аккумулятора. При перегреве инструмента все индикаторы скорости начнут мигать. При перегреве аккумулятора индикатор  начнет мигать.

В случае перегрева прибор автоматически останавливается. Дайте инструменту и/или аккумулятору остыть перед возобновлением работы.

Защита от перерезадки

При истощении заряда аккумулятора инструмент автоматически останавливается, и мигает индикатор .

Если устройство не работает даже после нажатия переключателей, извлеките из инструмента аккумулятор и зарядите его.

Регулировка угла рукоятки

ВНИМАНИЕ: Перед началом работы убедитесь в том, что рукоятка зафиксирована в необходимом положении.

ВНИМАНИЕ: Не опускайте рычаг для разблокировки рукоятки одновременно с нажатием триггерного переключателя. Не нажимайте триггерный переключатель, когда опускаете рычаг и поворачиваете рукоятку. Несоблюдение этого требования может привести к неисправности инструмента.

Рукоятку можно установить под углом 0°, 45° или 90° слева или справа. Чтобы изменить угол рукоятки, поверните ее, нажимая рычаг, а затем отпустите его.

► **Рис.3:** 1. Рычаг

Действие выключателя питания

ОСТОРОЖНО: В целях безопасности инструмент оснащен рычагом блокировки в выключенном положении, который предотвращает случайное включение инструмента. **ЗАПРЕЩЕНО** использовать инструмент, если он запускается простым нажатием рычажного выключателя и триггерного переключателя без нажатия рычага блокировки в выключенном положении. **ПРЕКРАТИТЕ** использование инструмента и передайте его в авторизованный сервисный центр для надлежащего ремонта.

ОСТОРОЖНО: **ЗАПРЕЩЕНО** фиксировать рычаг разблокировки при помощи липкой ленты и вносить изменения в его конструкцию.

ОСТОРОЖНО: Перед установкой блока аккумулятора на инструмент обязательно убедитесь в том, что триггерный переключатель и рычажный выключатель нормально работают и возвращаются в положение “OFF” (ВЫКЛ.) после отпущения. Эксплуатация инструмента с неисправным переключателем может привести к потере контроля над инструментом и получению тяжелой травмы.

ВНИМАНИЕ: Никогда не кладите палец на переключатель во время переноски. Инструмент может включиться непреднамеренно и причинить травму.

ПРИМЕЧАНИЕ: Не давите сильно на триггерный переключатель, не нажав на рычаг разблокировки. Это может привести к поломке переключателя.

Для включения инструмента нажмите и удерживайте кнопку основного питания. При включении инструмента загорается индикатор питания. Для выключения инструмента снова нажмите и удерживайте кнопку основного питания. При выключении инструмента индикатор гаснет.

► **Рис.4:** 1. Индикатор питания 2. Кнопка основного питания

ПРИМЕЧАНИЕ: Инструмент автоматически отключается, если он не используется в течение некоторого времени.

Для предотвращения случайного нажатия триггерного переключателя инструмент оборудован рычагом блокировки в выключенном положении. Для запуска инструмента нажмите рычаг блокировки в выключенном положении, нажмите рычажный выключатель и потяните триггерный переключатель. Для повышения частоты вращения нажмите триггерный переключатель сильнее. Для остановки отпустите триггерный переключатель.

► **Рис.5:** 1. Рычажный выключатель 2. Рычаг блокировки в выключенном положении 3. Триггерный переключатель

Регулировка скорости

Для регулировки скорости инструмента нажмите кнопку основного питания.

При каждом нажатии кнопки основного питания уровень скорости будет меняться.

► **Рис.6:** 1. Индикатор питания 2. Кнопка основного питания

Индикатор	Режим	Скорость хода
	Высокая	4 400 мин ⁻¹
	Средняя	3 600 мин ⁻¹
	Низкая	2 000 мин ⁻¹

Кнопка реверса для удаления мусора

▲ ОСТОРОЖНО: Если скопившиеся ветки или мусор нельзя удалить с помощью функции реверса, отключите инструмент и отсоедините блок аккумулятора, после чего удалите накопившиеся ветки или мусор, например, с помощью плоскогубцев. Если не отключить инструмент и не отсоединить блок аккумулятора, это может привести к тяжелой травме из-за случайного включения инструмента. Удаление накопившихся веток или мусора руками может привести к травме, поскольку лезвия секатора могут сместиться при удалении веток.

Этот инструмент оснащен кнопкой реверса для изменения направления движения лезвий секатора. Эта функция предназначена только для удаления накопившихся в инструменте веток и мусора.

Чтобы изменить направление движения лезвий секатора, нажмите кнопку реверса после остановки лезвий секатора, потом нажмите рычажный выключатель и потяните триггерный переключатель, нажимая рычаг блокировки в выключенном положении. Индикатор питания начинает мигать, а лезвия секатора начинают двигаться в обратном направлении. После удаления накопившихся веток и мусора направление вращения лезвий инструмента снова меняется на обычное, а индикатор питания прекращает мигать и загорается.

► **Рис.7:** 1. Кнопка реверса

ПРИМЕЧАНИЕ: Если накопившиеся ветки или мусор не удастся удалить, отпускайте и нажимайте триггерный переключатель до их полного удаления.

ПРИМЕЧАНИЕ: Если нажать кнопку реверса во время движения лезвий секатора, инструмент останавливается для изменения направления движения лезвий.

СБОРКА

▲ ВНИМАНИЕ: Перед проведением каких-либо работ с инструментом обязательно убедитесь, что инструмент отключен, а блок аккумулятора снят.

▲ ВНИМАНИЕ: При замене лезвий секатора обязательно надевайте перчатки, чтобы не касаться лезвий руками.

ПРИМЕЧАНИЕ: При замене режущих ножей не удаляйте смазочный материал с редуктора или кривошипа.

Установка или снятие лезвий секатора

▲ ВНИМАНИЕ: Установите чехол лезвия перед тем, как снимать или устанавливать режущие ножи.

На инструмент можно установить лезвия секатора длиной 500 мм, 600 мм или 750 мм.

1. Положите инструмент в перевернутом положении и открутите 6 винтов.

► **Рис.8:** 1. Винт

2. Снимите кожух и пластину.

► **Рис.9:** 1. Кожух 2. Пластина

ПРИМЕЧАНИЕ: Пластину можно оставить на крышке.

3. Удалите стержень.

► **Рис.10:** 1. Стержень

ПРИМЕЧАНИЕ: Стержень можно оставить на крышке.

4. Открутите 2 винта, выньте войлочную подкладку, шайбы и муфты, после чего снимите лезвия секатора.

► **Рис.11:** 1. Войлочная подкладка 2. Винт 3. Шайба 4. Муфта 5. Лезвия секатора

5. Снимите кожух лезвия.

6. Прикрепите кожух лезвия к новым лезвиям секатора.

7. Отрегулируйте кривошип таким образом, чтобы 2 отверстия расположились на одной оси на линии выравнивания.

► **Рис.12:** 1. Отверстие 2. Линия совмещения

8. Совместите выступы на лезвиях секатора, чтобы они находились на одном уровне по вертикали.

► **Рис.13:** 1. Выступ

9. Уложите войлочную подкладку на лезвия секатора.

► **Рис.14:** 1. Войлочная подкладка

10. Вставьте выступ на лезвиях секатора в отверстие на стержне, выровняйте положение войлочной подкладки относительно отверстий на инструменте, а затем установите новые муфты и шайбы.

► **Рис.15:** 1. Выступ 2. Отверстие 3. Войлочная подкладка 4. Шайба 5. Муфта

ПРИМЕЧАНИЕ: Нанесите небольшое количество смазки на внутреннюю поверхность отверстия стержня.

ПРИМЕЧАНИЕ: Будьте внимательны, чтобы не потерять шайбы и муфты.

11. Совместите отверстия на лезвиях секатора с отверстиями на инструменте и затяните 2 винта для фиксации лезвий секатора.

► Рис.16: 1. Винт 2. Отверстие

12. Вставьте стержень.

► Рис.17: 1. Стержень 2. Малое отверстие

ПРИМЕЧАНИЕ: Нанесите небольшое количество смазки на внутреннюю поверхность малого отверстия стержня.

ПРИМЕЧАНИЕ: Убедитесь в том, что выступ на лезвиях секатора входит в малое отверстие на стержне.

13. Прикрепите пластину.

► Рис.18: 1. Выступ 2. Пластина

ПРИМЕЧАНИЕ: Убедитесь в том, что выступ на лезвиях секатора входит в отверстие на пластине.

14. Прикрепите кожух и затяните 6 винтов.

► Рис.19: 1. Кожух 2. Винт

ПРИМЕЧАНИЕ: Не забудьте вставить 2 длинных винта в центральные отверстия.

ПРИМЕЧАНИЕ: Если движению лезвий секатора что-то препятствует, это означает, что они не сцеплены со стержнями надлежащим образом. В этом случае установите лезвия секатора заново.

ПРИМЕЧАНИЕ: Если какие-либо детали инструмента (кроме лезвий секатора) изношены, обратитесь в авторизованный сервисный центр Makita для их замены или ремонта.

Установка или снятие сборника обрезков

Дополнительные принадлежности

ВНИМАНИЕ: При установке или снятии сборника обрезков всегда надевайте перчатки, чтобы не касаться лезвий руками.

ПРИМЕЧАНИЕ: Кожух лезвия нельзя установить, если на инструмент установлен сборник обрезков. Перед переноской инструмента или его длительным хранением снимите сборник обрезков и установите кожух для защиты лезвия.

ПРИМЕЧАНИЕ: Не забудьте снять кожух лезвия перед установкой сборника отрезков.

Срезанные листья попадают в сборник обрезков, что облегчает уборку после проведения работ. Его можно установить с любой из двух сторон инструмента.

Для установки сборника обрезков совместите крючки сборника обрезков со стрелками на лезвиях секатора и прижмите сборник обрезков к лезвиям секатора, чтобы крючки вошли в канавки на лезвиях секатора.

► Рис.20: 1. Крючок 2. Стрелка

► Рис.21: 1. Крючок

ПРИМЕЧАНИЕ: Убедитесь в том, что сборник обрезков не перекрывает защиту наконечника.

► Рис.22: 1. Защита наконечника

Для снятия сборника обрезков необходимо нажать на рычаги с обеих сторон, чтобы освободить фиксаторы.

► Рис.23: 1. Рычаг

ПРИМЕЧАНИЕ: Не пытайтесь снять сборник обрезков, применяя большое усилие, если фиксаторы вошли в канавки на лезвиях секатора.

ЭКСПЛУАТАЦИЯ

ОСТОРОЖНО: Держите руки на расстоянии от лезвий секатора.

ВНИМАНИЕ: По возможности не используйте инструмент в жаркую погоду. При работе с инструментом учитывайте свое физическое состояние.

ВНИМАНИЕ: Соблюдайте осторожность, чтобы во время работы случайно не задеть металлическую ограду или другие твердые предметы. Лезвия секатора могут сломаться или нанести серьезную травму.

ВНИМАНИЕ: Соблюдайте осторожность, чтобы не допустить соприкосновения режущих ножей с землей. Инструмент может причинить серьезную травму из-за отдачи.

ВНИМАНИЕ: Не пытайтесь дотянуться инструментом до отдаленных веток, особенно с лестницы. Это очень опасно. Во время работы не стойте на шатких или неустойчивых предметах.

ПРИМЕЧАНИЕ: Не пытайтесь с помощью этого инструмента резать ветки толще 10 мм в диаметре. Перед использованием данного инструмента с помощью веткорезов обрежьте ветки до высоты на 10 см ниже, чем высота срезания.

► Рис.24: (1) Высота срезания (2) 10 см

ПРИМЕЧАНИЕ: Не срезайте сухие деревья или аналогичные твердые объекты. Невыполнение этого требования может привести к повреждению инструмента.

ПРИМЕЧАНИЕ: Не подрезайте траву или сорняки лезвиями секатора. Лезвия секатора могут запутаться в траве или сорняках.

Держа инструмент двумя руками, нажмите рычажный выключатель и потяните триггерный переключатель, нажимая рычаг блокировки в выключенном положении, и переместите его вперед.

► Рис.25

Для работы в обычном режиме наклоните лезвия секатора в направлении резания, плавно и медленно перемещайте инструмент в направлении резания со скоростью один метр за 3 – 4 секунды.

► Рис.26

Чтобы ровно обрезать верхнюю часть изгороди, протяните веревку на нужной высоте и выполняйте обрезку по ней.

► Рис.27

Если к лезвиям секатора присоединен сборник обрезков, то срезанные листья будут скапливаться в нем, что, в свою очередь, облегчит уборку после проведения работ.

► Рис.28

Чтобы ровно обрезать боковую часть живой изгороди, рекомендуется резать снизу вверх.

► Рис.29

Если вы хотите при стрижке придать объекту (например, кусту самшита, рододендрону и т. п.) шарообразную форму, выполняйте стрижку снизу вверх, начиная с основания. Так вам будет легче добиться желаемого результата.

► Рис.30

ОБСЛУЖИВАНИЕ

ВНИМАНИЕ: Перед проведением проверки или работ по техобслуживанию всегда проверяйте, что инструмент выключен, а блок аккумулятора снят.

Для обеспечения БЕЗОПАСНОСТИ и НАДЕЖНОСТИ оборудования ремонт, любое другое техобслуживание или регулировку необходимо производить в уполномоченных сервис-центрах Makita или сервис-центрах предприятия с использованием только сменных частей производства Makita.

Очистка инструмента

При выполнении очистки инструмента требуется вытирать пыль сухой либо смоченной мыльной водой и выжатой тканью.

ПРИМЕЧАНИЕ: Запрещается использовать бензин, растворители, спирт и другие подобные жидкости. Это может привести к обесцвечиванию, деформации и трещинам.

Лезвия секатора

Перед началом или после каждого часа эксплуатации нанесите смазочный материал низкой вязкости (машинное масло или смазочное масло в виде спрея) на лезвия секатора.

► Рис.31

После завершения работ необходимо проволочной щеткой очистить обе стороны лезвий секатора от пыли, протереть их тканью, а затем нанести смазочный материал низкой вязкости (машинное масло или смазочное масло в виде спрея) на лезвия секатора.

► Рис.32

ПРИМЕЧАНИЕ: Не промывайте лезвия секатора водой. Это может привести к повреждению инструмента или появлению на нем ржавчины.

ПРИМЕЧАНИЕ: Грязь и коррозия приводят к чрезмерному трению лезвия и уменьшают срок работы от одного заряда аккумулятора.

Хранение

Отверстие в нижней части инструмента служит для подвешивания на гвоздь или шуруп в стене.

Наденьте чехол для лезвия на режущие ножи, чтобы они не подвергались внешним воздействиям. Храните инструмент в недоступном для детей месте. Не допускайте попадания на инструмент воды или дождя.

► Рис.33: 1. Отверстие

Заточка лезвий секатора

ПРИМЕЧАНИЕ: Если лезвия секатора были сильно деформированы при заточке, замените их новыми.

1. Установите блок аккумулятора на инструмент.
2. Включите и запустите инструмент, чтобы верхнее и нижнее лезвия располагались вразбежку.

► Рис.34

3. Отключите инструмент и извлеките из него блок аккумулятора.

4. Открутите винт и снимите защиту наконечника.
► Рис.35: 1. Винт 2. Защита наконечника

5. Держа напильник под углом 45° и двигая им в трех направлениях, заточите верхнее лезвие.

► Рис.36: (1) Напильник (2) 45°

ВНИМАНИЕ: Перед заточкой лезвий убедитесь в том, что инструмент выключен и блок аккумулятора извлечен из инструмента.

6. Переверните инструмент и удалите заусенцы с лезвий секатора напильником.

► Рис.37: 1. Напильник

7. Держа напильник под углом 45° и двигая им в трех направлениях, заточите нижнее лезвие.

8. Верните инструмент в нормальное положение и удалите заусенцы с лезвий секатора напильником.

9. Прикрепите защиту наконечника, затянув винт.

Смазывание консистентной смазкой

Интервал смазывания: каждые 100 часов работы

1. Открутите 3 винта и снимите нижнюю крышку.
▶ **Рис.38:** 1. Винт 2. Нижняя крышка
2. Вращательным движением прикрепите резервуар для смазки с предварительно снятым колпачком к отверстию на кожухе.
▶ **Рис.39:** 1. Кожух 2. Резервуар для смазки
3. Нанесите смазку на инструмент (приблизительно 5 г).
4. Отсоедините резервуар для смазки.
5. Установите на место нижнюю крышку, затяните 3 винта.

ДОПОЛНИТЕЛЬНЫЕ ПРИНАДЛЕЖНОСТИ

▲ВНИМАНИЕ: Данные принадлежности или приспособления рекомендуются для использования с инструментом Makita, указанным в настоящем руководстве. Использование других принадлежностей или приспособлений может привести к получению травмы. Используйте принадлежность или приспособление только по указанному назначению.

Если вам необходимо содействие в получении дополнительной информации по этим принадлежностям, свяжитесь с вашим сервис-центром Makita.

- Лезвие в сборе
- Чехол для лезвия
- Сборник обрезков
- Резервуар для смазки
- Оригинальный аккумулятор и зарядное устройство Makita

ПРИМЕЧАНИЕ: Некоторые элементы списка могут входить в комплект инструмента в качестве стандартных приспособлений. Они могут отличаться в зависимости от страны.

Makita Europe N.V. Jan-Baptist Vinkstraat 2,
3070 Kortenberg, Belgium

Makita Corporation 3-11-8, Sumiyoshi-cho,
Anjo, Aichi 446-8502 Japan

www.makita.com

885633-985
EN, SV, NO, FI, LV,
LT, ET, RU
20180927