

AXIS A4010–E Reader

ENGLISH

Installation Guide

Liability A4010-E

Every care has been taken in the preparation of this document. Please inform your local Axis office of any inaccuracies or omissions. Axis Communications AB cannot be held responsible for any typographical errors and reserves the right to make changes to the product and manuals without prior notice. Axis Communications AB makes no warranty of any kind with regard to the material contained within this document, including, but not limited to, the implied warranties of merchantability and fitness for a particular purpose. Axis Communications AB shall not be liable nor responsible for incidental or consequential damages in connection with the furnishing, performance or use of this material. This product is only to be used for its intended purpose.

Intellectual property rights

Axis AB has intellectual property rights relating to technology embodied in the product described in this document. In particular, and without limitation, these intellectual property rights may include one or more of the patents listed at www.axis.com/patent.htm and one or more additional patents or pending patent applications in the US and other countries.

Equipment modifications

This equipment must be installed and used in strict accordance with the instructions given in the user documentation. This equipment contains no user-serviceable components. Unauthorized equipment changes or modifications will invalidate all applicable regulatory certifications and approvals.

Trademark acknowledgments

AXIS COMMUNICATIONS, AXIS and VAPIX are registered trademarks or trademark applications of Axis AB in various jurisdictions. All other company names and products are trademarks or registered trademarks of their respective companies.

Regulatory information

Europe



This product complies with the applicable CE marking directives and harmonized standards:

- Electromagnetic Compatibility (EMC) Directive 2014/30/EU. See *Electromagnetic compatibility (EMC) on page 2*.
- Radio and Telecommunications Terminal Equipment (R & TTE) Directive 1999/5/EC. See *Radio transmission on page 2*.
- Low Voltage (LVD) Directive 2014/35/EU. See *Safety on page 3*.
- Restrictions of Hazardous Substances (RoHS) Directive 2011/65/EU. See *Disposal and recycling on page 3*.

A copy of the original declaration of conformity may be obtained from Axis Communications AB. See *Contact information on page 4*.

Electromagnetic compatibility (EMC)

This equipment has been designed and tested to fulfill applicable standards for:

- Radio frequency emission when installed according to the instructions and used in its intended environment.
- Immunity to electrical and electromagnetic phenomena when installed according to the instructions and used in its intended environment.

USA

This equipment has been tested and found to comply with the limits for a Class A digital device, pursuant to part 15 of the FCC Rules. These limits are designed to provide reasonable protection against harmful interference when the equipment is operated in a commercial environment. This equipment generates, uses, and can radiate radio frequency energy and, if not installed and used in accordance with the instruction manual, may cause harmful interference to radio communications. Operation of this equipment in a residential area is likely to cause harmful interference in which case the user will be required to correct the interference at his own expense. The product shall be properly grounded.

This product fulfills the requirements for immunity according to EN 61000-6-2 industrial environments.

This product fulfills the requirements for emission according to EN 61000-6-3 residential, commercial and light-industrial environments.

Radio transmission

This equipment may generate or use radio frequency energy. The user could lose the authority to operate this equipment if an unauthorized change or modification is made.

USA

This equipment complies with the limits for a Class A digital device, pursuant to part 15 of the FCC Rules. Operation is subject to the following two conditions: (1) this device may not cause harmful interference, and (2) this device must accept any interference received, including interference that may cause undesirable operation.

This product complies with FCC radiation exposure limits for an uncontrolled environment. This equipment shall be installed and operated with a minimum distance of 20 cm (7.9 in) between the user and the device.

Canada

This device complies with Industry Canada licence-exempt RSS standard(s). Operation is subject to the following two conditions: (1) this device may not cause interference, and (2) this device must accept any interference, including interference that may cause undesired operation of the device. This product complies with IC radiation exposure limits for an uncontrolled environment. This equipment shall be installed and operated with a minimum distance of 20 cm (7.9 in) between the

user and the device. This device is for operation in the frequency band 5150-5250 MHz is only for indoor use to reduce the potential for harmful interference to co-channel mobile satellite systems.

Le présent appareil est conforme aux CNR d'Industrie Canada applicables aux appareils radio exempts de licence. L'exploitation est autorisée aux deux conditions suivantes : (1) l'appareil ne doit pas produire de brouillage, et (2) l'utilisateur de l'appareil doit accepter tout brouillage radioélectrique subi, même si le brouillage est susceptible d'en compromettre le fonctionnement.

Ce produit est conforme aux limites d'exposition aux radiations IC pour un environnement non contrôlé. L'équipement doit être installé et fonctionné à une distance minimum de 20 cm (7,9 po) entre l'utilisateur et le dispositif. Dans la bande de fréquences de 5 150 à 5 250 MHz, cet appareil doit uniquement être utilisé à l'intérieur afin de réduire le risque de brouillage préjudiciable de systèmes de service mobile par satellite se trouvant dans le même canal.

Europe

Hereby, Axis Communications AB declares that this product is in compliance with the essential requirements and other relevant provisions of Directive 1999/5/EC.

FR

Par la présente Axis Communications AB déclare que l'appareil ce produit est conforme aux exigences essentielles et aux autres dispositions pertinentes de la directive 1999/5/CE.

DE

Hiermit erklärt Axis Communications AB, dass sich dieses Produkt in Übereinstimmung mit den grundlegenden Anforderungen und den anderen relevanten Vorschriften der Richtlinie 1999/5/EG befindet.

IT

Con la presente Axis Communications AB dichiara che questo prodotto è conforme ai requisiti essenziali ed alle altre disposizioni pertinenti stabilite dalla direttiva 1999/5/CE.

ES

Por medio de la presente Axis Communications AB declara que el este producto cumple con los requisitos esenciales y cualesquiera otras disposiciones aplicables o exigibles de la Directiva 1999/5/CE.

FI

Axis Communications AB vakuuttaa täten että tämä tuote tyypinen laite on direktiivin 1999/5/EY oleellisten vaatimusten ja sitä koskevien direktiivin muiden ehtojen mukainen.

NL

Hierbij verklaart Axis Communications AB dat het toestel in overeenstemming is met de essentiële eisen en de andere relevante bepalingen van richtlijn 1999/5/EG.

SV

Härmed intygar Axis Communications AB att denna

produkt står i överensstämmelse med de väsentliga egenskapskrav och övriga relevanta bestämmelser som framgår av direktiv 1999/5/EG.

DA

Undertegnede Axis Communications AB erklærer herved, at følgende udstyr overholder de væsentlige krav og øvrige relevante krav i direktiv 1999/5/EF.

PT

Axis Communications AB declara que este produto está conforme com os requisitos essenciais e outras disposições da Directiva 1999/5/CE.

EL

ΜΕ ΤΗΝ ΠΑΡΟΥΣΑ Axis Communications AB ΔΗΛΩΝΕΙ ΟΤΙ αυτό το προϊόν ΣΥΜΜΟΡΦΩΝΕΤΑΙ ΠΡΟΣ ΤΙΣ ΟΥΣΙΩΔΕΙΣ ΑΠΑΙΤΗΣΕΙΣ ΚΑΙ ΤΙΣ ΛΟΙΠΕΣ ΣΧΕΤΙΚΕΣ ΔΙΑΤΑΞΕΙΣ ΤΗΣ ΟΔΗΓΙΑΣ 1999/5/ΕΚ.

This equipment can be used in the following countries:

AT, BE, BG, CH, CY, CZ, DE, DK, EE, EL, ES, FI, FR, HR, HU, IE, IS, IT, LI, LT, LU, LV, MT, NL, NO, PL, PT, RO, SE, SI, SK, TR, UK

Safety

This product complies with IEC/EN 62368-1 and IEC/EN 60950-22, Safety of Information Technology Equipment.

Disposal and recycling

When this product has reached the end of its useful life, dispose of it according to local laws and regulations. For information about your nearest designated collection point, contact your local authority responsible for waste disposal. In accordance with local legislation, penalties may be applicable for incorrect disposal of this waste.

Europe



This symbol means that the product shall not be disposed of together with household or commercial waste. Directive 2012/19/EU on waste electrical and electronic equipment (WEEE) is applicable in the European Union member states. To prevent potential harm to human health and the environment, the product must be disposed of in an approved and environmentally safe recycling process. For information about your nearest designated collection point, contact your local authority responsible for waste disposal. Businesses should contact the product supplier for information about how to dispose of this product correctly.

This product complies with the requirements of Directive 2011/65/EU on the restriction of the use of certain hazardous substances in electrical and electronic equipment (RoHS).

China



This product complies with the requirements of SJ/T 11364-2014, Marking for the restriction of hazardous substances in electrical and electronic products.

- visit Axis Support at www.axis.com/support

Learn more!

Visit Axis learning center www.axis.com/academy/ for useful trainings, webinars, tutorials and guides.

有毒有害物质或元素						
部件名称	铅 (P-b)	汞 (H-g)	镉 (C-d)	六价铬 (C-r(V-l))	多溴联苯 (P-B-B)	多溴二苯醚 (P-B-D-E)
电气安装部分	X	0	0	0	0	0
<p>0: 表示该有毒有害物质在该部件所有均质材料中的含量均在GB/T 26572标准规定的限量要求以下。</p> <p>X: 表示该有毒有害物质至少在该部件的某一均质材料中的含量超出GB/T 26572标准规定的限量要求。</p>						

Contact information

Axis Communications AB
Emdalavägen 14
223 69 Lund
Sweden

Tel: +46 46 272 18 00
Fax: +46 46 13 61 30

www.axis.com

Support

Should you require any technical assistance, please contact your Axis reseller. If your questions cannot be answered immediately, your reseller will forward your queries through the appropriate channels to ensure a rapid response. If you are connected to the Internet, you can:

- find answers to resolved problems in the FAQ database. Search by product, category, or phrase
- report problems to Axis support staff by logging in to your private support area
- chat with Axis support staff

Safety information

Hazard levels

⚠ DANGER

Indicates a hazardous situation which, if not avoided, will result in death or serious injury.

⚠ WARNING

Indicates a hazardous situation which, if not avoided, could result in death or serious injury.

⚠ CAUTION

Indicates a hazardous situation which, if not avoided, could result in minor or moderate injury.

NOTICE

Indicates a situation which, if not avoided, could result in damage to property.

Other message levels

Important

Indicates significant information which is essential for the product to function correctly.

Note

Indicates useful information which helps in getting the most out of the product.

Safety instructions

⚠ WARNING

The Axis product shall be installed by a trained professional, and in compliance with local laws and regulations.

NOTICE

- The Axis product shall be used in compliance with local laws and regulations.
- Store the Axis product in a dry and ventilated environment.
- Avoid exposing the Axis product to shocks or heavy pressure.
- Do not install the product on unstable poles, brackets, surfaces or walls.
- Use only applicable tools when installing the Axis product. Using excessive force with power tools could cause damage to the product.
- Do not use chemicals, caustic agents, or aerosol cleaners.
- Use a clean cloth dampened with pure water for cleaning.
- Use only accessories that comply with the technical specification of your product. These can be provided by Axis or a third party. Axis recommends using Axis power source equipment compatible with your product.
- Use only spare parts provided by or recommended by Axis.
- Do not attempt to repair the product yourself. Contact Axis support or your Axis reseller for service matters.
- The power supply shall be plugged in to a socket outlet installed near the product and shall be easily accessible.

Transportation

NOTICE

- When transporting the Axis product, use the original packaging or equivalent to prevent damage to the product.

Requirements for Compliance with UL294 6th Edition

This section contains information and instructions required for UL compliance. To make sure the installation is UL compliant, follow the instructions below in addition to the general information and instructions provided throughout this document. In cases where pieces of information contradict each other, the requirements for UL compliance always replace general information and instructions.

For use with the UL294 listed, Axis Communications model A1001 Network Door Controller.

Safety instructions

- This product shall be installed and serviced by Axis certified professionals only.
- Locations and wiring methods shall be in accordance with the National Electrical Code, ANSI/NFPA 70. and in accordance with the Local Authority Holding Jurisdiction.
- Recommended test method: Verify that the card reader reads cards and provides access.
Test frequency: once a year.
- There are no replacement parts available for this product.
- For UL294 compliant installations the AXIS A4010-E Reader should be powered by either an AXIS A1001 Network Door Controller or a UL294 listed power supply. All interconnecting devices shall be UL listed and Class 2 low-voltage power limited.
- DC input evaluated for UL294: 12V DC – 24V DC

Impaired Operation

The following conditions could result in impaired operation of the reader:

The reader can have difficulties reading cards at very low temperatures. The access cards are normally specified to – 35 deg C (-31 F) and should

be warmed up if it is installed in cold surroundings. The reader can only read one card at a time. Sheet metal behind the access card can result in impaired antenna function and prevent the reader from reading the card. Too low voltage, will impair the function of the reader.

Serial number on product label

Serial number example: HW035YYWWzzzzzz

- HW035 = manufacturer's identification number
- YY = manufacturing year
- WW= manufacturing week
- zzzzzz = sequence number

Firmware version

AXIS A4010-E Reader has been tested for compatibility with the UL294-listed Axis model A1001 Network Door Controller employing firmware version 1.50.

Performance Levels for Access Control

This section contains performance level information required for UL 294 compliance.

Feature	Level
Destructive Attack Test	I
Line Security	I
Endurance	IV
Standby Power	I

Installation Guide

This Installation Guide provides instructions for connecting AXIS A4010-E Reader to a network door controller. AXIS A4010-E Reader is an OSDP reader that is designed to communicate with Axis network door controllers.

Installation Steps

1. Make sure the package contents, tools and other materials necessary for the installation are in order. See *page 11*.
2. Study the hardware overview. See *page 11*.
3. Study the specifications. See *page 13*.
4. Install the hardware. See *page 18*.

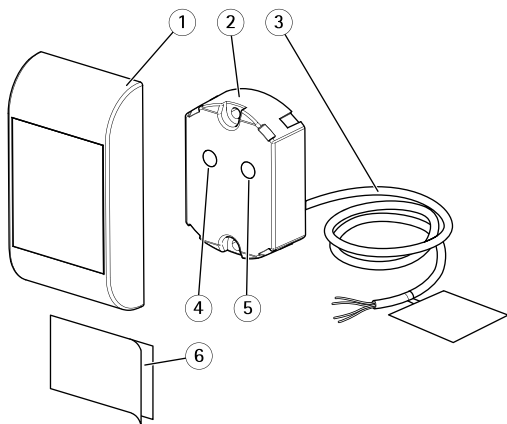
ENGLISH

Package contents

- Your Axis product
- Installation Guide (this document)

Hardware overview

For specifications of the hardware components, see .



- 1 *Frontplate*
- 2 *Core unit*
- 3 *Cable*
- 4 *Red LED*
- 5 *Green LED*
- 6 *Double sided tape*

Reader Feedback

The table shows the feedback signals that are preconfigured in the reader when connected to an Axis network door controller.

Event/state	LED indicator	Beeper pattern
Door locked	✘ Steady red	Silent
Door unlocked	✔ Steady green	Silent
Access granted	✔ Steady green	One short beep
Access denied	✘ Steady red	One long beep
Pre-alarm warning	✘ Steady red	Short beeps until entering new state
Door open too long	✘ Flashing red	Constant beep

Specifications

Identification types	See <i>page 15</i> .
Power consumption	12–24 V DC, max 2.1 W
Power and data cable	See <i>page 15</i> .
Wire area	See <i>page 17</i> .

Operating conditions	This product is intended for outdoor use. To protect the card reader from possible effects of weather, use a protective shield.
	Operating temperature: -30 °C to 70 °C (-34 °F to 158 °F) To operate in temperatures below -30 °C (-34 °F), the card reader must be mounted on a heating pad.
	Humidity: 95% RH (non-condensing)
Storage and transport conditions	Temperature: -50 °C to 70 °C (-58 °F to 158 °F)
Approvals	EN 61000-6-2, EN 61000-6-3 ETSI EN 300 330-2, ETSI EN 301 489-1, ETSI EN 301 489-3 CISPR 16-2-1, CISPR 16-2-3 FCC Part 15 Subpart C, FCC Part 15 Subpart B Class A IC RSS-GEN, IC RSS-210 AS/NZS 4268 IEC/EN 62368-1, IEC/EN 60950-22 EN 50581 (RoHS) IEC/EN 60529 IP54 UL294, 6th Edition PVC free
Dimensions (HxWxD)	85 x 46 x 19 mm (3.35 x 1.8 x 0.75 in)
Weight	128 g (0.28 lb)
Warranty	Axis 3-year warranty and AXIS Extended Warranty option, see www.axis.com/warranty

Identification Types

Identification types are portable credential storage devices, pieces of memorized information, or various combinations of the two that determine how users will be granted access to the door. Common identification types include tokens such as cards or key fobs, personal identification numbers (PINs), and request to exit (REX) devices.

The reader supports the following formats:

- MIFARE® DESFire®
- MIFARE® Classic
- iClass®

To program the reader for MIFARE®Classic sector reading, a customer-specific setup card is needed. For more information, contact Axis Support at www.axis.com/techsup.

Power & Data Cable

4-wire cable for DC power input and data. Supports RS485 and OSDP protocols for communication with the door controller.

NOTICE

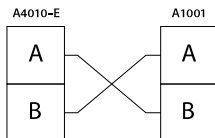
Use a Safety Extra Low Voltage (SELV) compliant limited power source (LPS) with a rated output current limited to ≤ 2 A. For example, AXIS A1001 Network Door Controller fulfills these requirements when powered by Power over Ethernet (PoE) or a SELV-compliant LPS.

Function	Wire	Color	Notes	Specifications
DC input	+V	Green	Power input from controller or external power supply.	Min 12 V DC (-10%) Max 24 V DC (+15%)
0 V DC REF	0V	Yellow		
RS485	A	White	For half duplex RS485 (RX/TX)	A
	B	Brown		B

Important

- The recommended maximum cable length is up to 30 m (98.4 ft).

Connection with AXIS A1001



To use the reader with AXIS A1001, connect the RS485 wires from A to B and from B to A.

For more information about Axis network door controller connections, see the hardware pin chart, generated through the door controller's hardware configuration, and the AXIS A1001 User Manual, available at www.axis.com

For long wire length it is recommended to use twisted pair for the RS485 A and B wires.

Wire Area

NOTICE

To extend the existing cable, each wire shall have an conductor cross-sectional area that corresponds to an conductor gauge range of AWG 26–18. Select cables in compliance with your local regulations.

ENGLISH

AWG	Diameter mm (in)	Area mm ²
26–18	0.405–1.024 (0.0159–0.0403)	0.129–0.823

Tampering alarm

The tampering alarm sensor is an accelerometer. When the reader is removed from the surface it is attached to, an alarm event is sent to the door controller. In the door controller, the alarm event can be used to trigger an action. For information, see the door controller's User Manual.

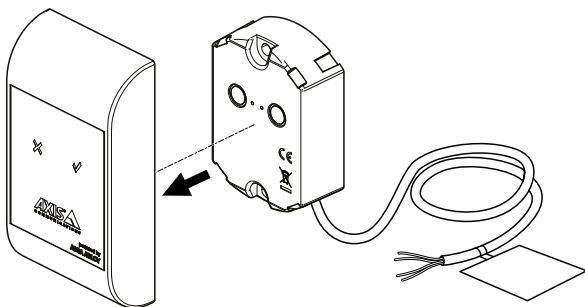
Note

Mount the Axis product first and then connect the cable. The accelerometer (for tampering alarm) is calibrated at power on.

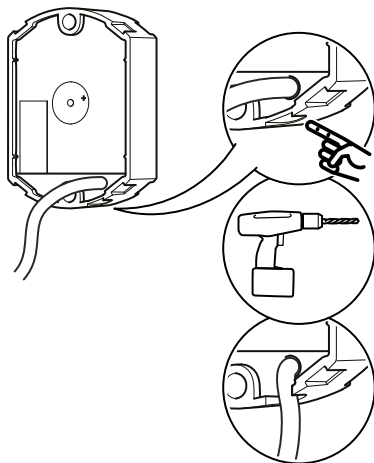
RS485 Termination

The Axis product uses a fixed RS485 termination.

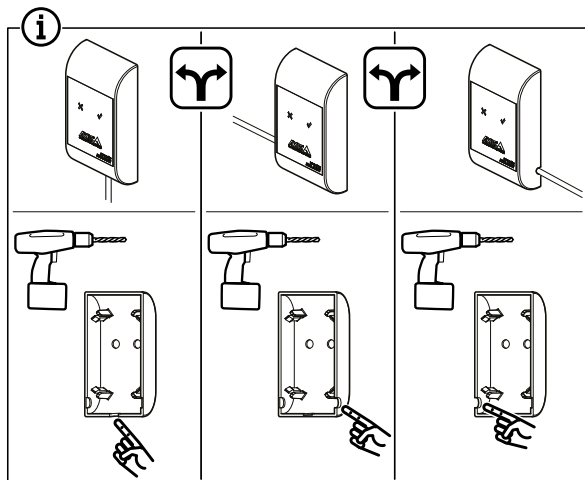
Install the hardware



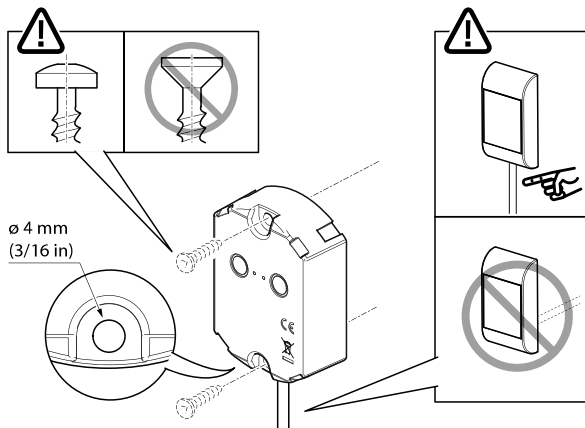
1. Remove the frontplate from the core unit.



2. Make a hole in the bottom of the core unit and let the cable run through it.

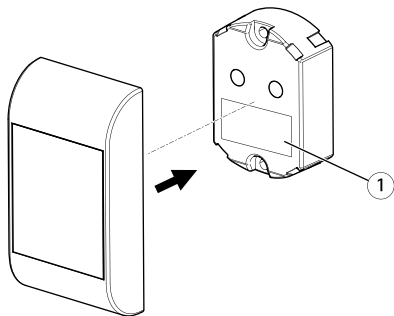


3. Make a hole in the frontplate. Run the cable through it.



ENGLISH

4. Hold the core unit against the wall at maximum 2 m (6.56 ft) above the ground. Mark your holes with a pencil.
5. Drill holes in the wall and mount the core unit to the wall. Use drill bits, screws and plugs that are appropriate for the material.



1 Double sided tape

6. Fasten the double sided tape onto the main unit. Position it carefully under the two LEDs.
7. Push the frontplate onto the main unit.

Further information

- For the latest version of this document, see www.axis.com
- For useful online trainings and webinars, see www.axis.com/academy

Warranty information

For information about Axis' product warranty and thereto related information, go to www.axis.com/warranty/

Installation Guide

AXIS A4010-E Reader

© Axis Communications AB, 2016 - 2017

Ver. M6.2

Date: April 2017

Part No. 1691048