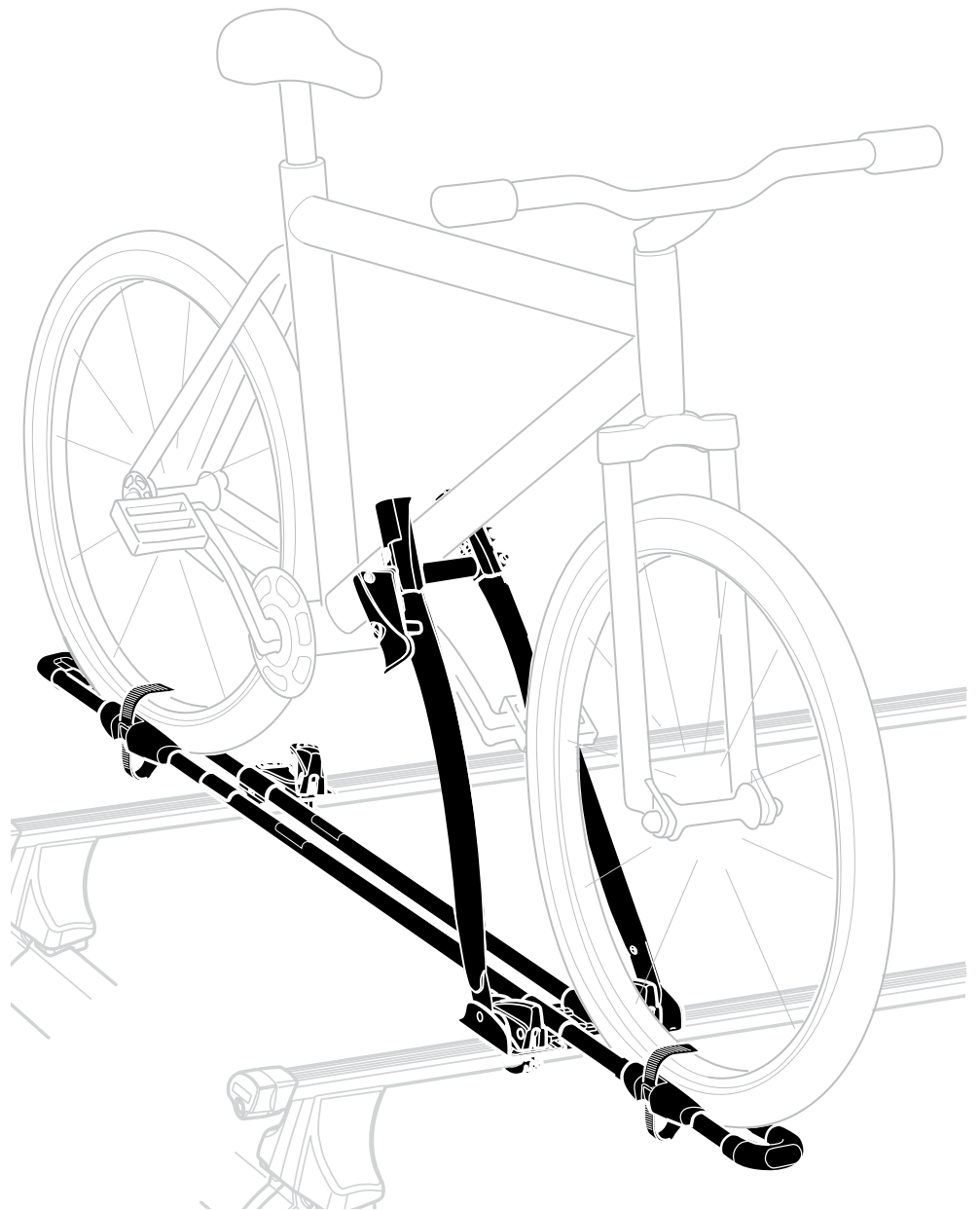


# instructions

# FreeRide 532



532002



**THULE**<sup>®</sup>  
SWEDEN

3DF/8.20110331.501-7615-01



**Security Regulations**

**THULE**

= 3,5 kg

= Max. 17 kg

Max. 130 km/h

- x1 (Bracket)
- x1 (Bracket)
- x1 (Bracket)
- x1 (Bracket)
- x1 (Screw)
- x2 (Bracket)
- x3 (Screw)
- x3 (Screw)
- x1 (Bracket)
- x1 (Screw)
- x2 (Key)
- x1 (Bracket)
- x1 (Screw)
- x1 (Screw)
- x1 (Screw)
- x2 (Screw)
- x1 (Bracket)
- x3 (Bracket)
- x3 (Bracket)
- x3 (Bracket)
- A (Screw) 45 mm x1
- B (Screw) 65 mm x1
- x2 (Screw)
- x1 (Bracket)

**i**

**A**

x1

45 mm

**B**

x1

65 mm

**A**

45 mm

Ø 22 - 58 mm

**click**

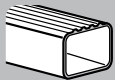
**B**

65 mm

Ø 59 - 70 mm

Max 65 x 80 mm

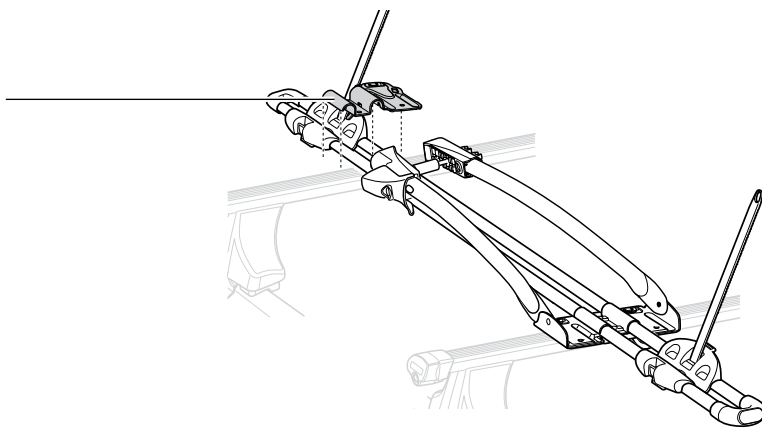
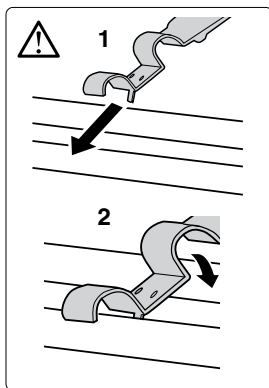
**click**



1



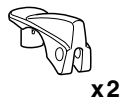
x1



2



x1



x2



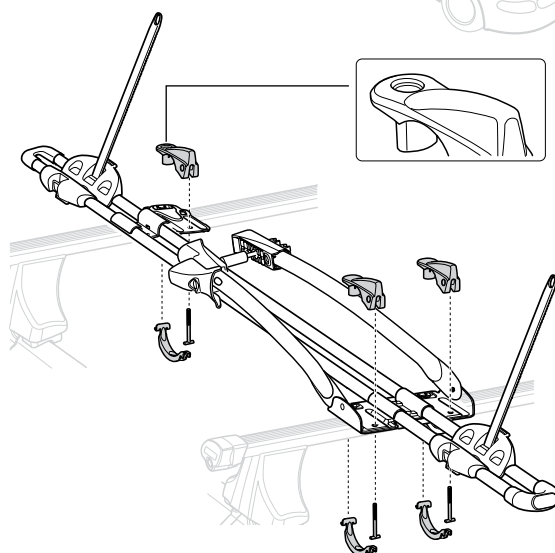
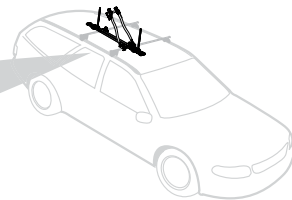
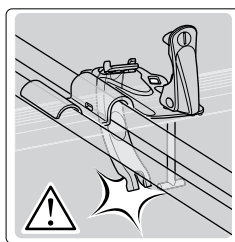
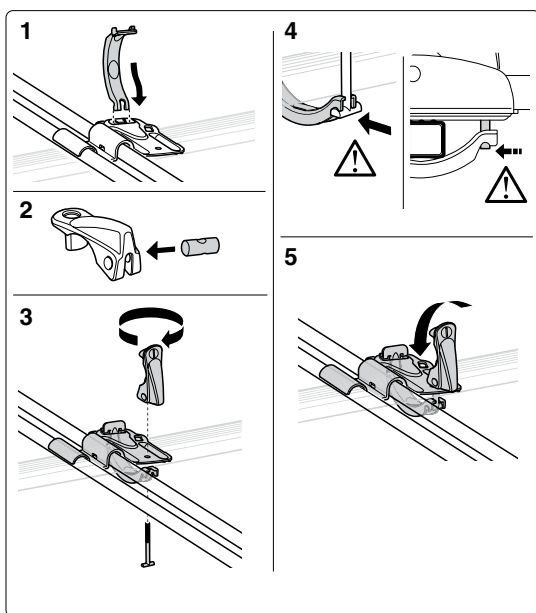
x3



x3



x3



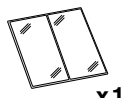
3



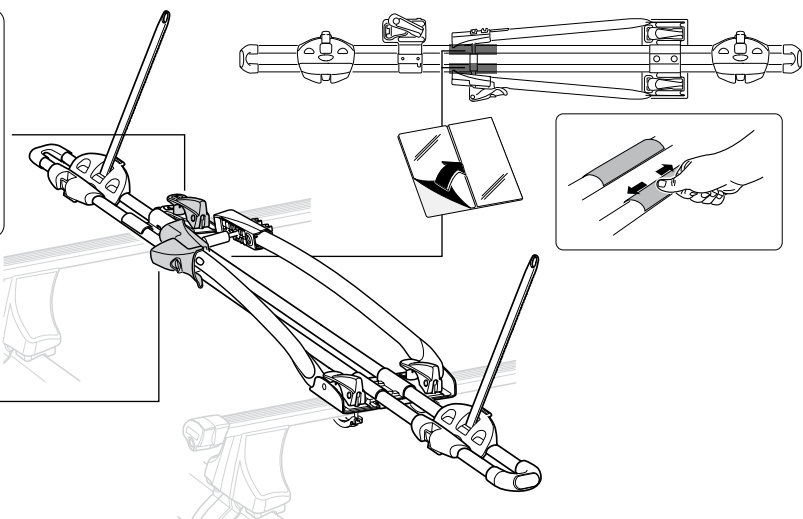
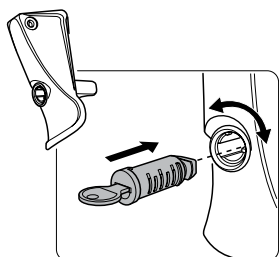
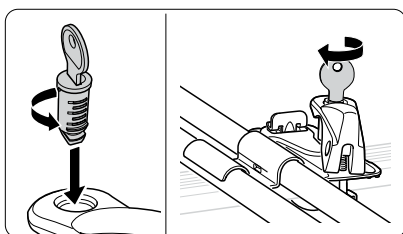
x2

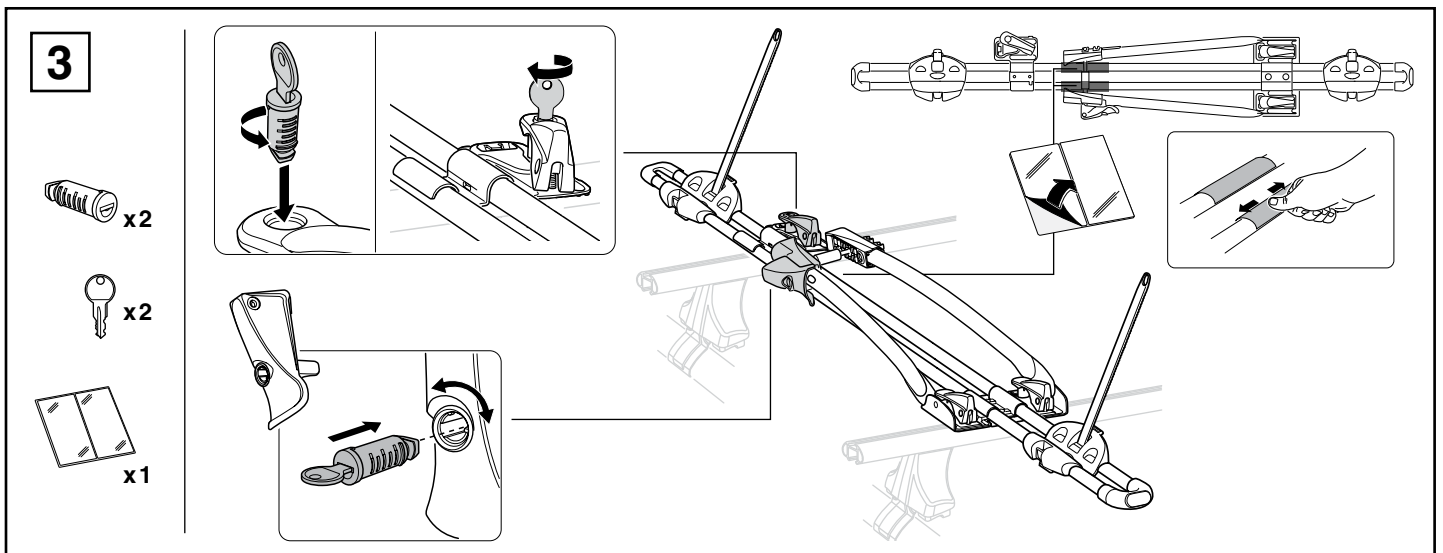
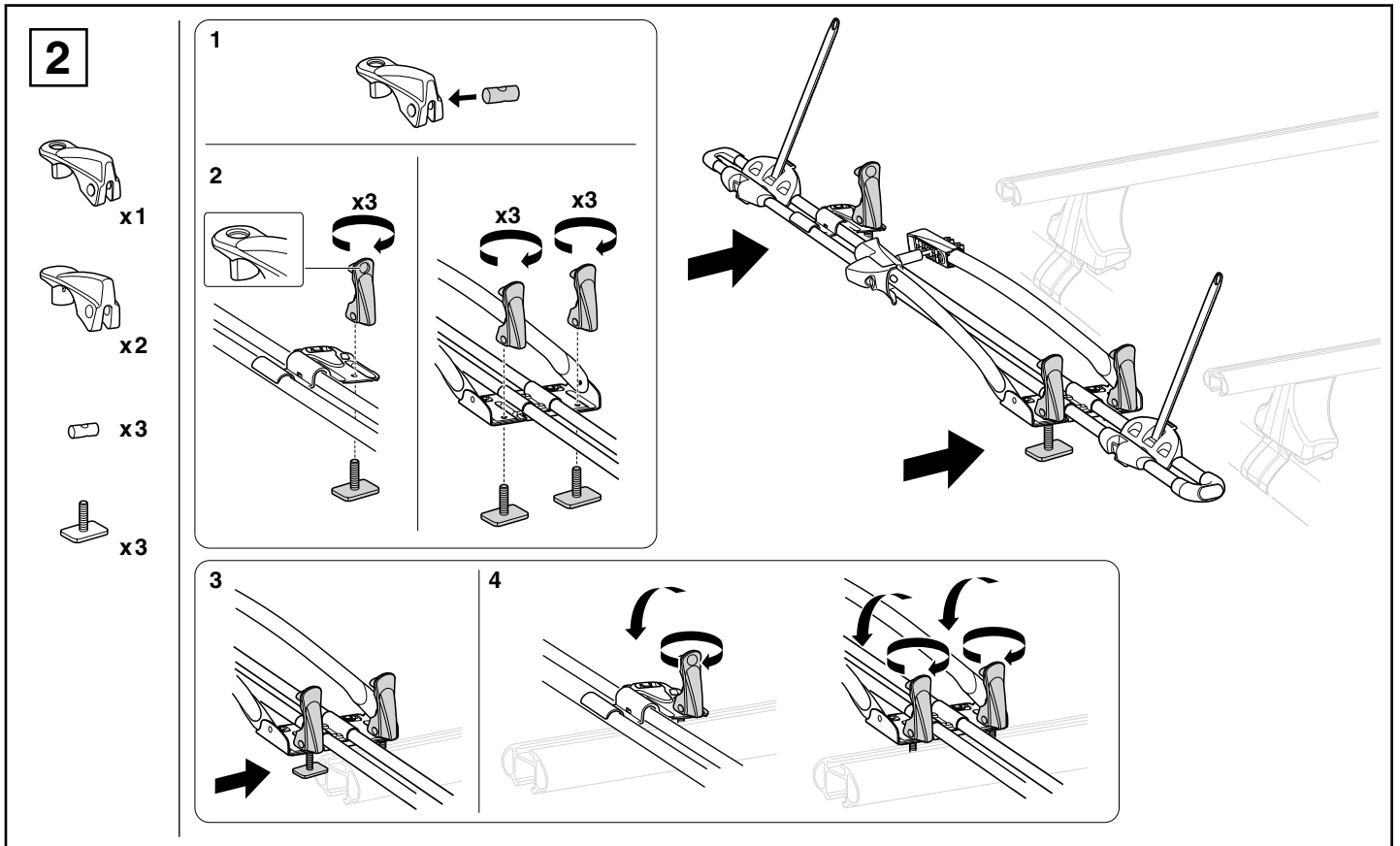
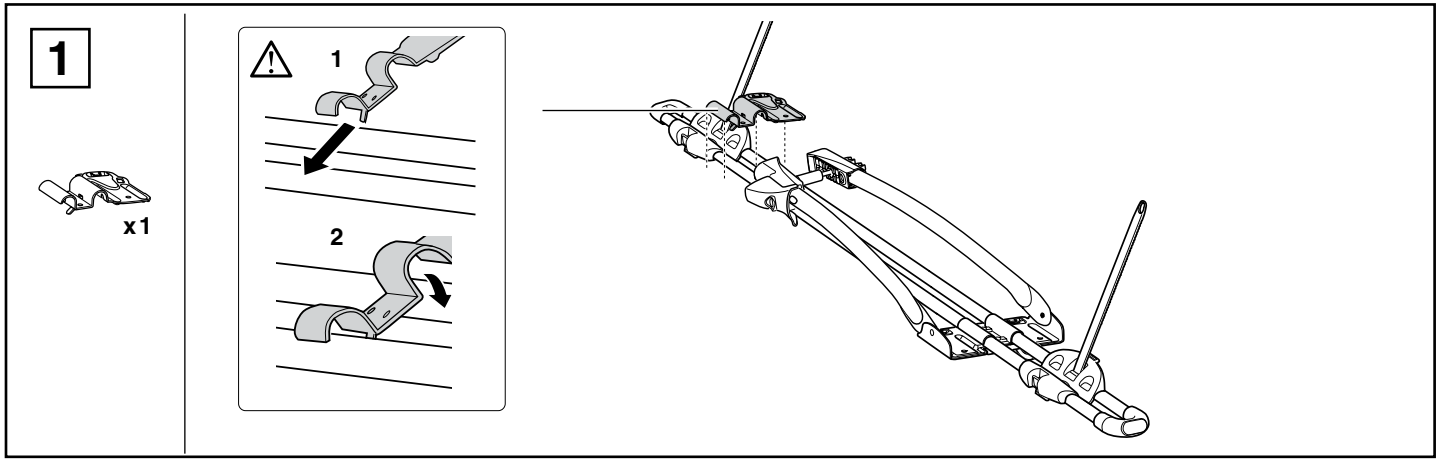
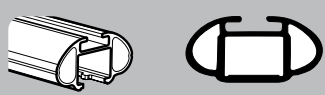


x2



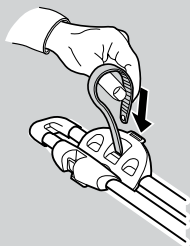
x1



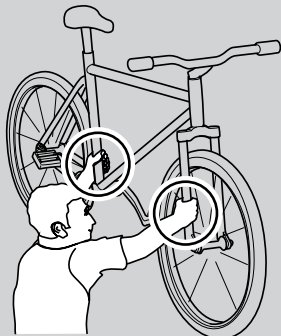


## Tips!

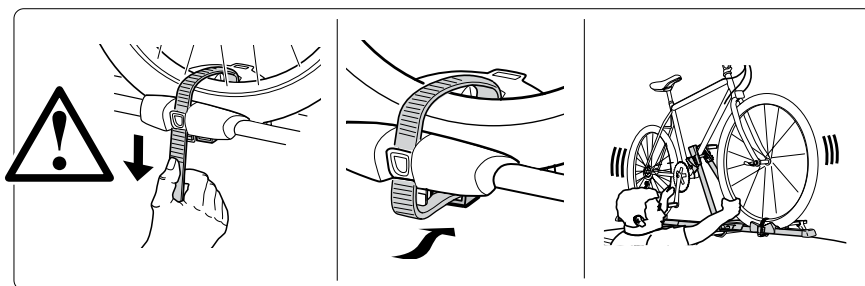
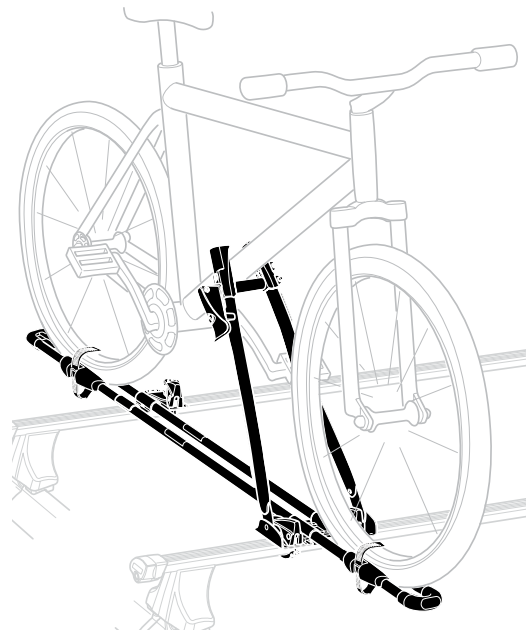
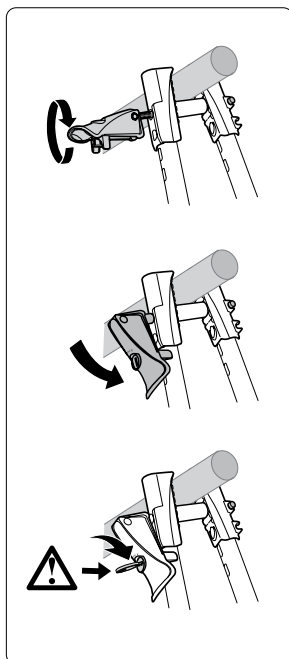
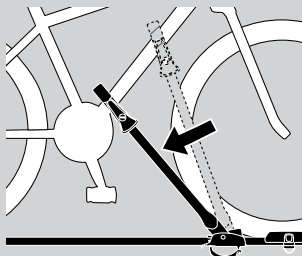
1



2

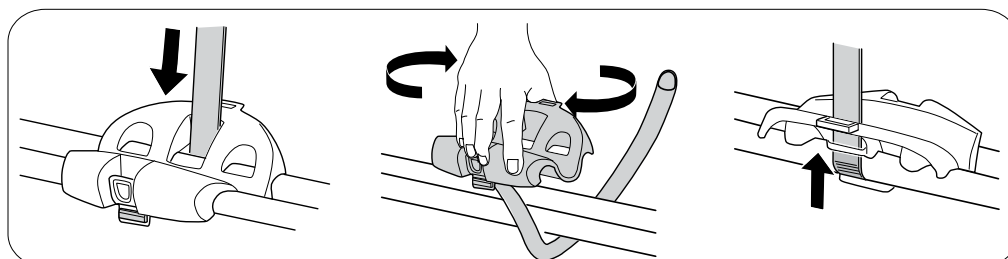
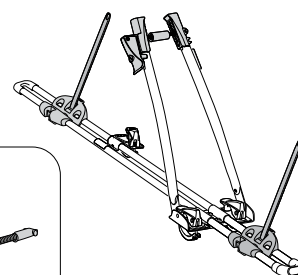
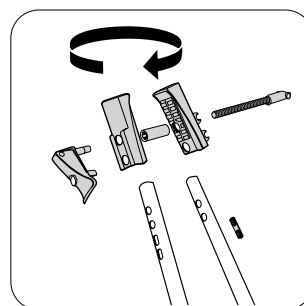


3



**GB** Left-hand fitting  
**D** Montage links  
**F** Montage côté gauche  
**NL** Montage aan de linker kant  
**I** Montaggio a sinistra  
**E** Montaje a izquierda  
**PT** Montagem do lado esquerdo  
**S** Vänstermonterad  
**FIN** Asennus vasemmalle  
**EST** Vasakpoolne kinnitamine  
**LAT** Kreisais stiprinājums  
**LIT** Kairysis pritvirtinimas  
**PL** Montaż z lewej

**RU** Установка на левую сторону  
**CZ** Montáž z levé strany  
**SK** Montáž na ľavej strane  
**SLO** Pritrjevanje z leve strani  
**HR** Montaža s lijeve strane  
**HU** Bal oldalról szerelhető  
**GR** Αριστερόστροφη τοποθέτηση  
**TR** Sol elle montaj  
**中文** 从左侧安装  
**한국어** 왼손잡이용 장착  
**日本語** 左側の取り付け  
**ไทย** การติดตั้งสำหรับด้านซ้าย



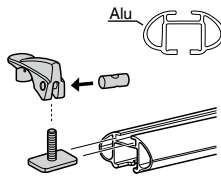
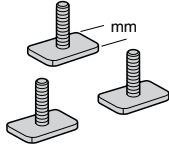
501-7615-01

7

**GB** Accessories  
**D** Zubehör  
**F** Accessoires  
**NL** Accessoires  
**I** Accessori  
**E** Accesorios  
**PT** Acessórios  
**S** Tillbehör  
**FIN** Lisävarusteet  
**EST** Lisavarustus  
**LAT** Piederumi  
**LIT** Priedai  
**PL** Akcesoria

**RU** Аксессуары  
**CZ** Doplnky  
**SK** Príslušenstvo  
**SLO** Dodatki  
**HR** Dodaci  
**HU** Tartozékok  
**GR** Παρελκόμενα  
**TR** Aksesuarlar  
**中文** 附件  
**日本語** 付属品  
**한국어** 액세서리  
**ไทย** อุปกรณ์เสริม

**889-3**  
24mm



**THULE**  
SWEDEN  
**ONE  
KEY  
SYSTEM**

**544** (x4)  
**596** (x6)  
**588** (x8)  
**452** (x12)

