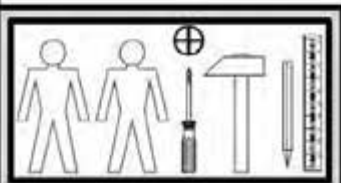
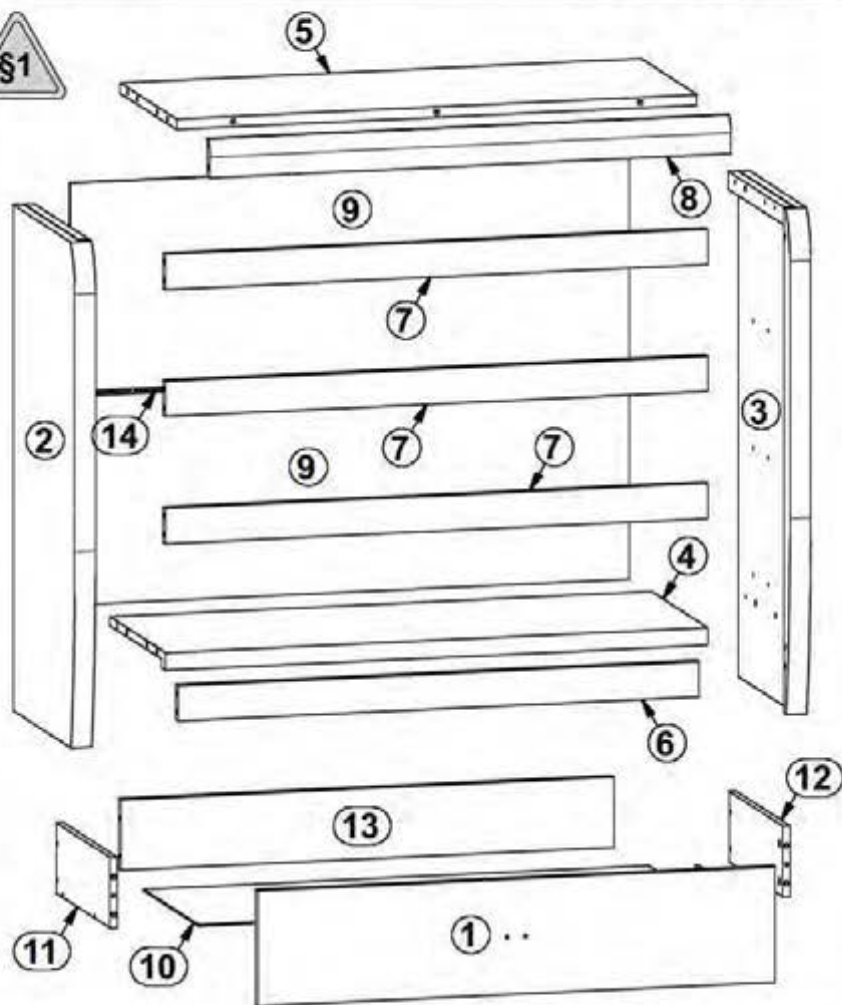


# LOREN

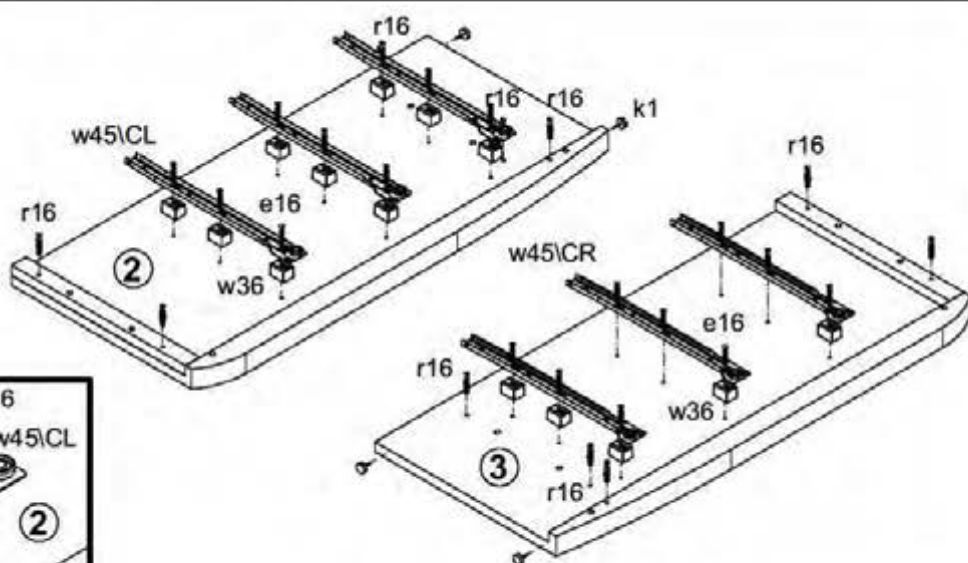
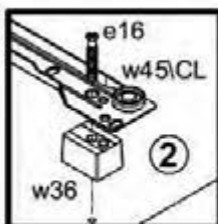
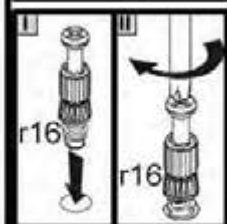
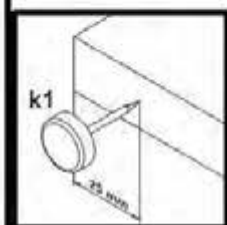
# S163-KOM3S

A	B	C	D	
1	S163 0003A	896	196	2/2
2	S163 1105	860	400	1/2
3	S163 1106	860	400	1/2
4	S163 3301	938	359	1/2
5	S163 304	902	360	1/2
6	S163 4404	902	60	1/2
7	S163 4405	938	60	1/2
8	S163 503	902	64	1/2
9	S163 91902	969	717	1/2
10	S163 9904	875	355	1/2
11	BB 501	350	120	1/2
12	BB 502	350	120	1/2
13	ZB 5513	845	120	1/2
14	Lh 939	939	14	1/2

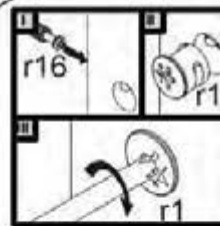
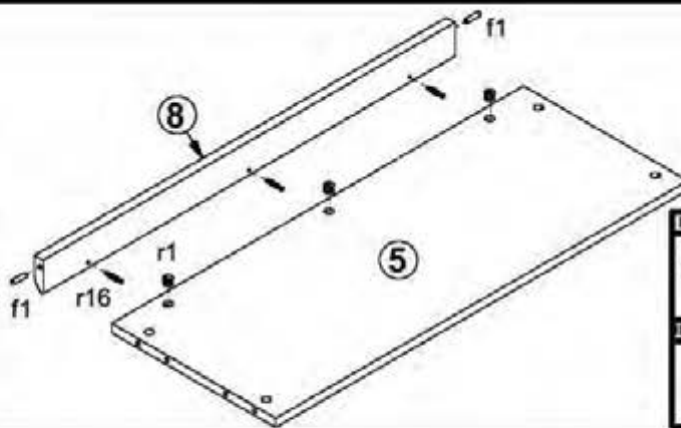
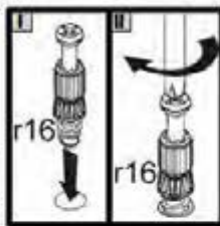
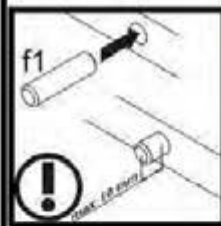


3x c333	18x Ø8x20 mm e16	12x Ø8x20 mm e19	24x Ø8x20 mm f1	6x Ø8x20 mm f9	12x Ø9.5x41 mm f25	6x M4x20 mm j1	4x k1	40x l1
3x Ø8.5x16 mm p25	3x Ø8.5x10 mm p35	18x Ø8.5x16 mm p38	25x Ø8.5x52 mm, #10 r1	25x r16	3x 350 mm t35	18x H: 18 mm w36	3x 350 mm w45\CL	
3x 350 mm w45\CR	3x 350 mm w45\DL	3x 350 mm w45\DR	1x n26\1	1x Ø8.5x16 mm p38				

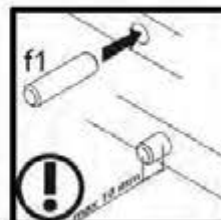
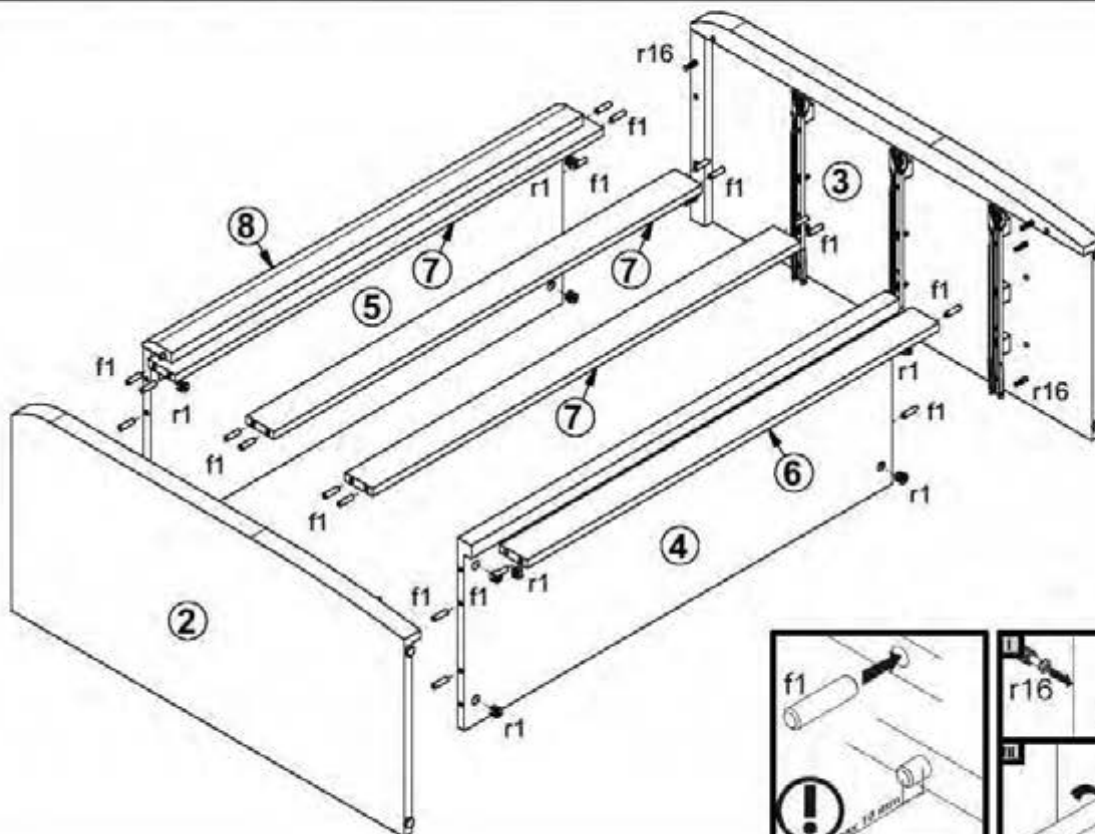
## 1



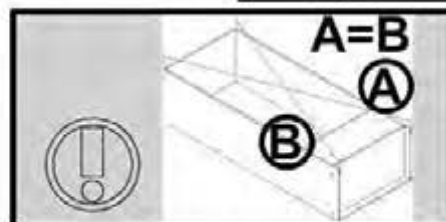
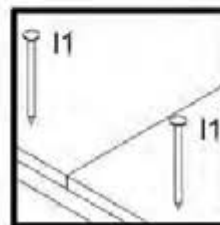
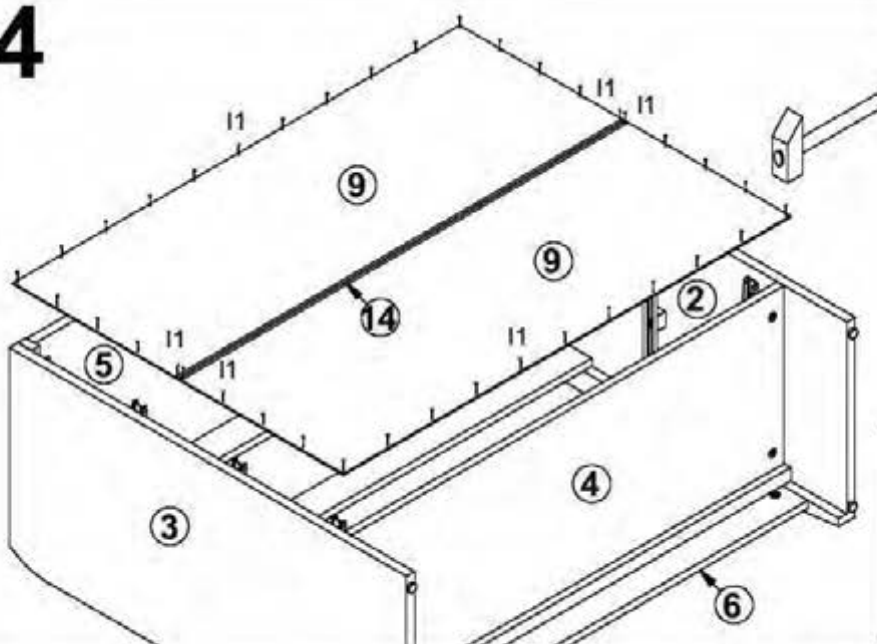
# 2



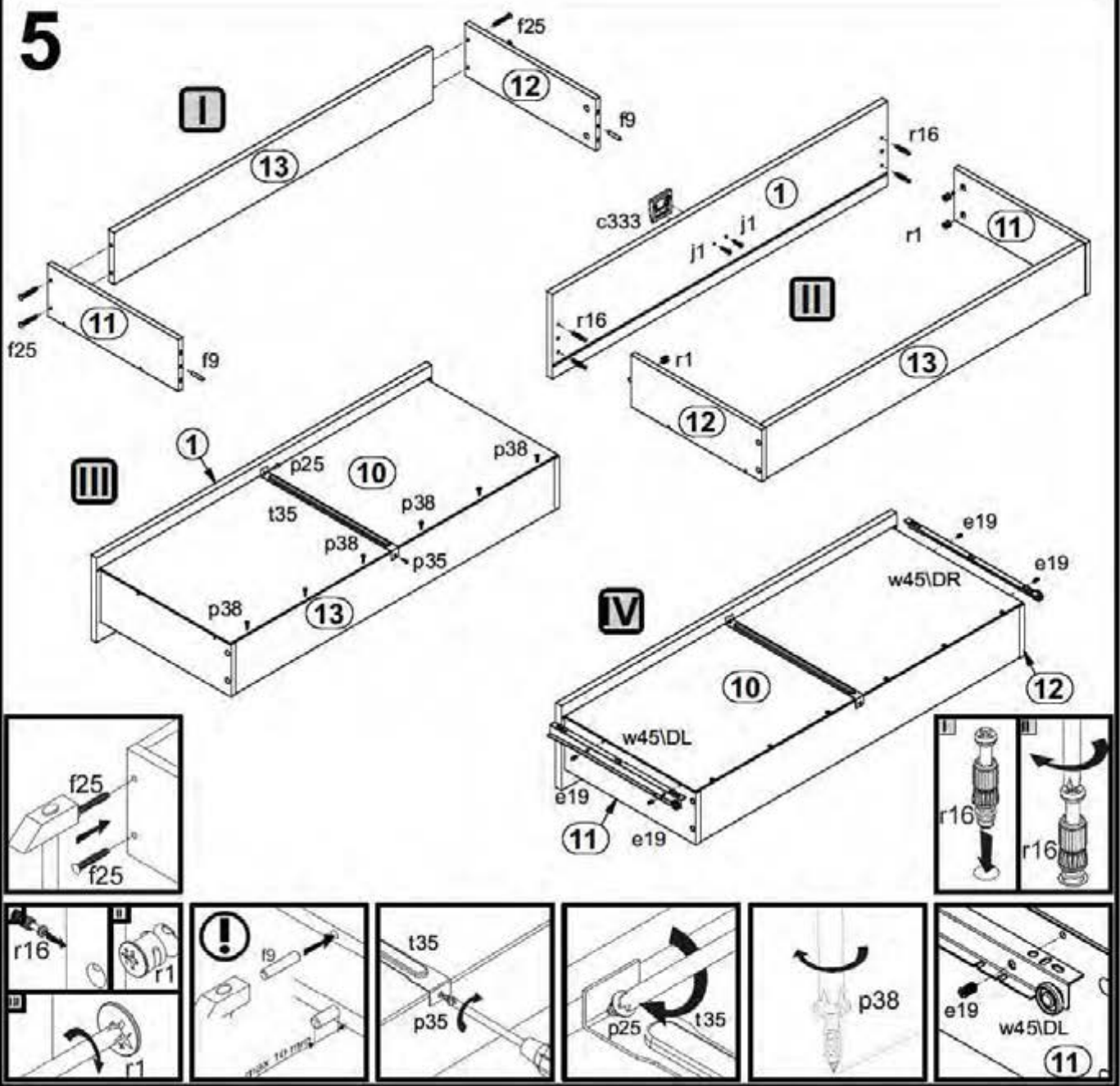
# 3



# 4



# 5



# 6

