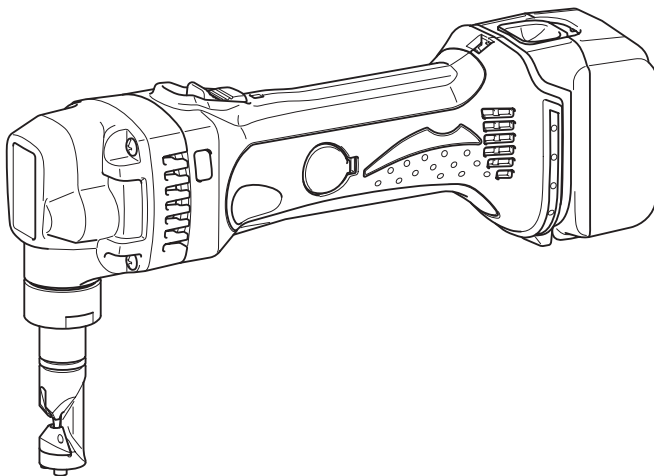
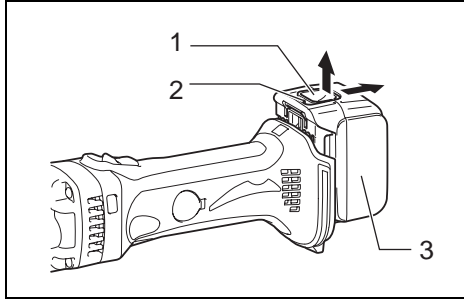




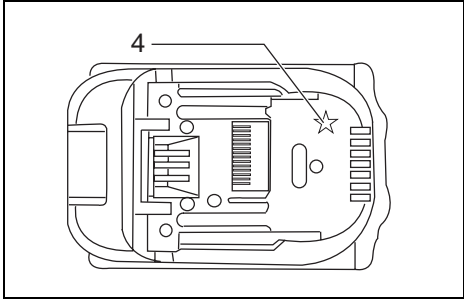
<b>GB</b>	Cordless Nibbler	Instruction Manual
<b>F</b>	Grignoteuse Sans Fil	Manuel d'instructions
<b>D</b>	Akku-Knabber	Betriebsanleitung
<b>I</b>	Roditrice a batteria	Istruzioni per l'uso
<b>NL</b>	Snoerloze knabbelschaar	Gebruiksaanwijzing
<b>E</b>	Roedora Inalámbrica	Manual de instrucciones
<b>P</b>	Tesoura Punção a Bateria	Manual de instruções
<b>DK</b>	Akku-pladestanser	Brugsanvisning
<b>GR</b>	<b>Ζουμπογάλιδο μπαταρίας</b>	<b>Οδηγίες χρήσεως</b>
<b>TR</b>	<b>Akülü Nibler</b>	<b>Kullanma kılavuzu</b>

DJN160  
DJN161

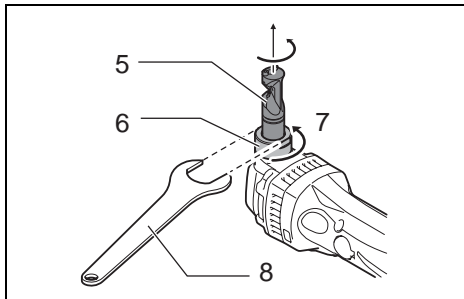




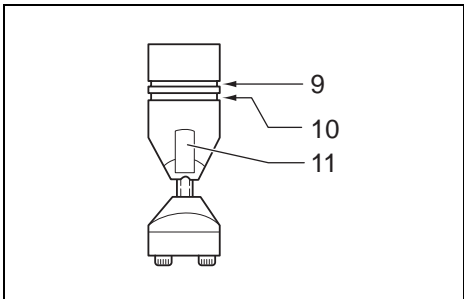
1 013273



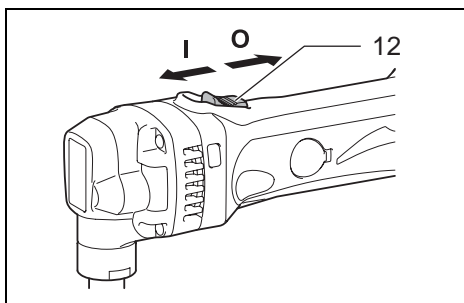
2 012128



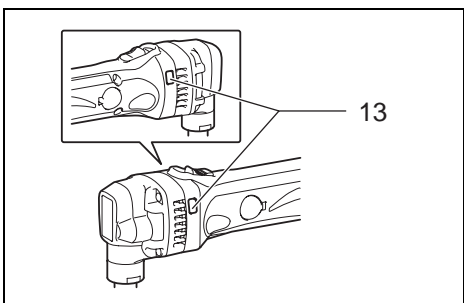
3 013275



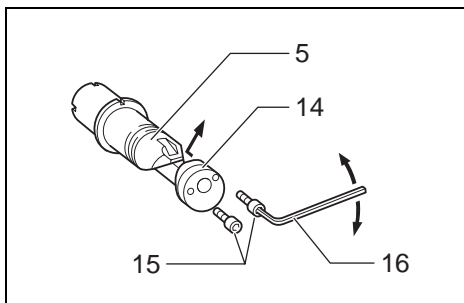
4 004775



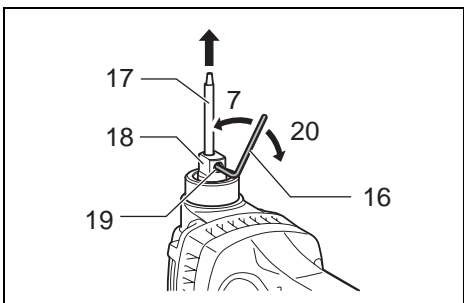
5 013276



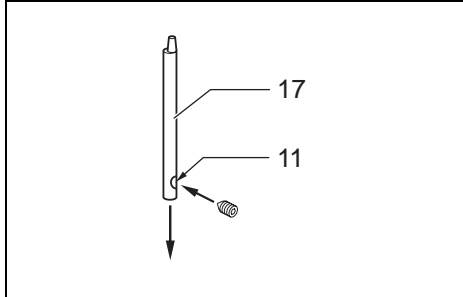
6 013277



7 004779

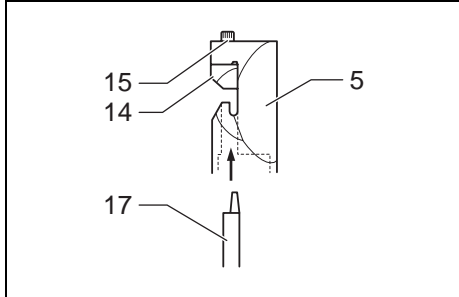


8 013274



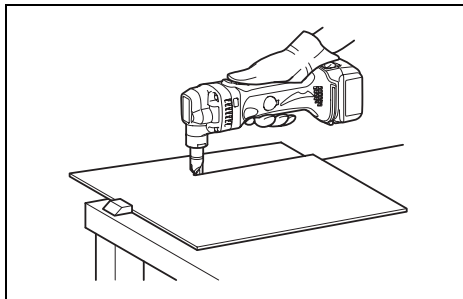
9

004781



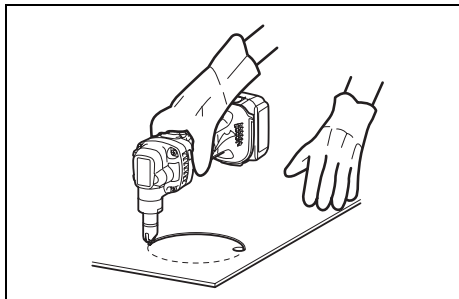
10

004782



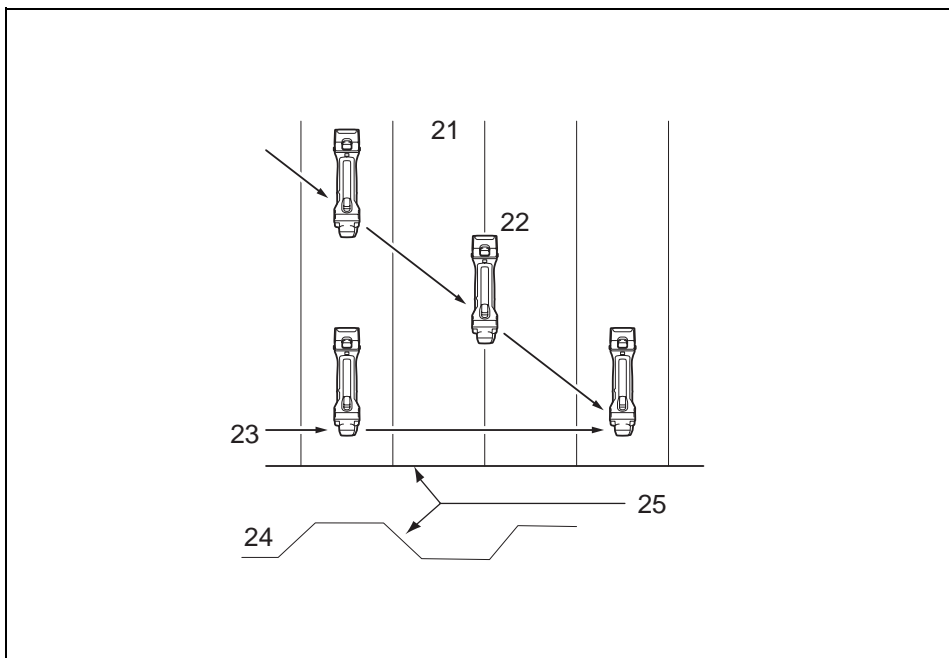
11

013278



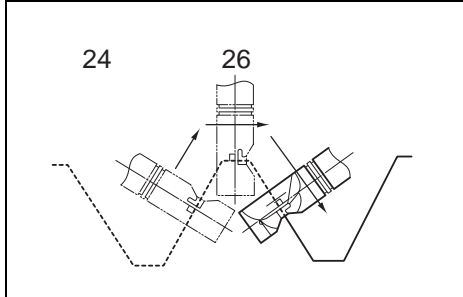
12

013279



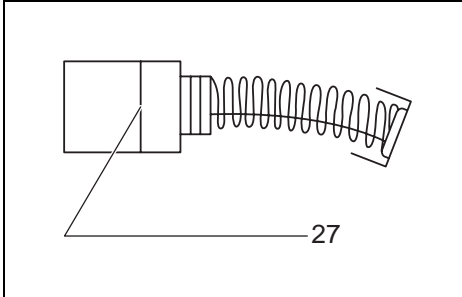
13

013280



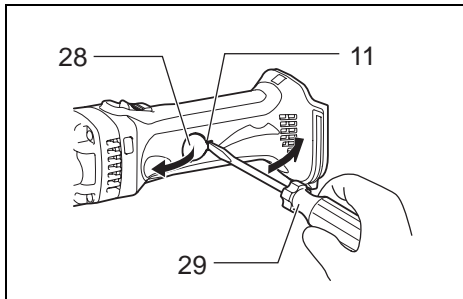
14

004791



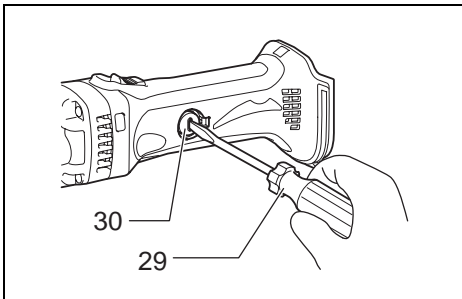
15

001145



16

013281



17

013282

**Explanation of general view**

1 Button	11 Notch	23 Cutting perpendicular to grooves
2 Red indicator	12 Slide switch	24 From the side view
3 Battery cartridge	13 Indicating lamp	25 Corrugated or trapezoidal sheet metal
4 Star marking	14 Die	26 Cutting head should be at a right angle (90°) to cutting surface.
5 Die holder	15 Bolts	27 Limit mark
6 Lock nut	16 Hex wrench	28 Holder cap cover
7 Loosen	17 Punch	29 Screwdriver
8 Wrench	18 Punch holder	30 Brush holder cap
9 Gauge for cutting stainless: 1.2 mm (3/64")	19 Screw	
10 Gauge for cutting mild steel: 1.6 mm (1/16")	20 Tighten	
	21 From the top view	
	22 Cutting at an angle to grooves	

**SPECIFICATIONS**

Model		DJN160	DJN161
Max. cutting capacities	Steel up to 400 N/mm <sup>2</sup>	1.6 mm/16 ga	1.6 mm/16 ga
	Steel up to 600 N/mm <sup>2</sup>	1.2 mm/18 ga	1.2 mm/18 ga
	Aluminum up to 200 N/mm <sup>2</sup>	2.5 mm/12 ga	2.5 mm/12 ga
Min. cutting radius	Outside edge	50 mm	50 mm
	Inside edge	45 mm	45 mm
Strokes per minute (min <sup>-1</sup> )		1,900	1,900
Overall length		313 mm	313 mm
Net weight		2.1 kg	2.2 kg
Rated voltage		D.C. 14.4 V	D.C. 18 V

GEB028-2

- Due to our continuing program of research and development, the specifications herein are subject to change without notice.
- Specifications and battery cartridge may differ from country to country.
- Weight, with battery cartridge, according to EPTA-Procedure 01/2003

ENE037-1

**Intended use**

The tool is intended for cutting sheet steel and stainless sheet steel.

GEA010-1

**General Power Tool Safety Warnings**

**⚠ WARNING** Read all safety warnings and all instructions. Failure to follow the warnings and instructions may result in electric shock, fire and/or serious injury.

**Save all warnings and instructions for future reference.**

**NIBBLER SAFETY WARNINGS**

1. **Hold the tool firmly.**
2. **Secure the workpiece firmly.**
3. **Keep hands away from moving parts.**
4. **Edges and chips of the workpiece are sharp. Wear gloves. It is also recommended that you put on thickly bottomed shoes to prevent injury.**
5. **Do not put the tool on the chips of the workpiece. Otherwise it can cause damage and trouble on the tool.**
6. **Do not leave the tool running. Operate the tool only when hand-held.**
7. **Always be sure you have a firm footing. Be sure no one is below when using the tool in high locations.**
8. **Do not touch the punch, die or the workpiece immediately after operation; they may be extremely hot and could burn your skin.**
9. **Avoid cutting electrical wires. It can cause serious accident by electric shock.**

**SAVE THESE INSTRUCTIONS.**

**⚠ WARNING:**

**DO NOT** let comfort or familiarity with product (gained from repeated use) replace strict adherence to safety rules for the subject product. **MISUSE** or failure to follow the safety rules stated in this instruction manual may cause serious personal injury.

## IMPORTANT SAFETY INSTRUCTIONS

### FOR BATTERY CARTRIDGE

1. Before using battery cartridge, read all instructions and cautionary markings on (1) battery charger, (2) battery, and (3) product using battery.
2. Do not disassemble battery cartridge.
3. If operating time has become excessively shorter, stop operating immediately. It may result in a risk of overheating, possible burns and even an explosion.
4. If electrolyte gets into your eyes, rinse them out with clear water and seek medical attention right away. It may result in loss of your eyesight.
5. Do not short the battery cartridge:
  - (1) Do not touch the terminals with any conductive material.
  - (2) Avoid storing battery cartridge in a container with other metal objects such as nails, coins, etc.
  - (3) Do not expose battery cartridge to water or rain.

A battery short can cause a large current flow, overheating, possible burns and even a breakdown.

6. Do not store the tool and battery cartridge in locations where the temperature may reach or exceed 50°C (122°F).
7. Do not incinerate the battery cartridge even if it is severely damaged or is completely worn out. The battery cartridge can explode in a fire.
8. Be careful not to drop or strike battery.
9. Do not use a damaged battery.
10. Follow your local regulations relating to disposal of battery.

### SAVE THESE INSTRUCTIONS.

#### Tips for maintaining maximum battery life

1. Charge the battery cartridge before completely discharged.  
Always stop tool operation and charge the battery cartridge when you notice less tool power.
2. Never recharge a fully charged battery cartridge. Overcharging shortens the battery service life.
3. Charge the battery cartridge with room temperature at 10°C – 40°C (50°F – 104°F). Let a hot battery cartridge cool down before charging it.
4. Charge the battery cartridge once in every six months if you do not use it for a long period of time.

### FUNCTIONAL DESCRIPTION

#### ⚠ CAUTION:

- Always be sure that the tool is switched off and the battery cartridge is removed before adjusting or checking function on the tool.

### Installing or removing battery cartridge (Fig. 1)

#### ⚠ CAUTION:

- Always switch off the tool before installing or removing of the battery cartridge.
- **Hold the tool and the battery cartridge firmly when installing or removing battery cartridge.** Failure to hold the tool and the battery cartridge firmly may cause them to slip off your hands and result in damage to the tool and battery cartridge and a personal injury.

To remove the battery cartridge, slide it from the tool while sliding the button on the front of the cartridge.

To install the battery cartridge, align the tongue on the battery cartridge with the groove in the housing and slip it into place. Insert it all the way until it locks in place with a little click. If you can see the red indicator on the upper side of the button, it is not locked completely.

#### ⚠ CAUTION:

- Always install the battery cartridge fully until the red indicator cannot be seen. If not, it may accidentally fall out of the tool, causing injury to you or someone around you.
- Do not install the battery cartridge forcibly. If the cartridge does not slide in easily, it is not being inserted correctly.

### Battery protection system (Fig. 2)

The tool is equipped with a battery protection system. This system automatically cuts off power to the motor to extend battery life.

The tool will automatically stop during operation if the tool and/or battery are placed under one of the following conditions:

- **Overloaded:**  
The tool is operated in a manner that causes it to draw an abnormally high current.  
In this situation, turn the tool off and stop the application that caused the tool to become overloaded. Then turn the tool on to restart.  
If the tool does not start, the battery is overheated. In this situation, let the battery cool before turning the tool on again.
- **Low battery voltage:**  
The remaining battery capacity is too low and the tool will not operate. In this situation, remove and recharge the battery.

#### NOTE:

- The overheat protection works only with a battery cartridge with a star mark.

### Changing the die position (Fig. 3)

The die holder position can be changed 360°. To change it, proceed as follows.

1. Loosen the lock nut with the wrench provided.
2. Pull the die holder slightly and turn it to the desired position for operation.
3. Tighten the lock nut to secure the die holder in the desired position.

There are four positive stops at 90° each: 0°, 90° left and right and 180°. To position the die to any of these positive stops:

4. Loosen the lock nut with the wrench provided.
5. Pull the die holder slightly and depress lightly while turning it to the desired position. The die holder will lock into one of the positive stop positions as desired.
6. Turn the die holder slightly to make sure that it is positively locked into position.
7. Tighten the lock nut to secure the die holder.

### Permissible cutting thickness (Fig. 4)

The thickness of material to be cut depends upon the tensile strength of the material itself. The groove on the die holder acts as a thickness gauge for allowable cutting thickness. Do not attempt to cut any material which will not fit into this groove.

### Cutting line

The notch in the die holder indicates your cutting line. Its width is equal to the cutting width. Align the notch to the cutting line on the workpiece when cutting.

### Switch action (Fig. 5)

#### ⚠ CAUTION:

- Before inserting the battery cartridge into the tool, always check to see that the slide switch actuates properly and returns to the "OFF" position when the rear of the slide switch is depressed.
- Switch can be locked in "ON" position for ease of operator comfort during extended use. Apply caution when locking tool in "ON" position and maintain firm grasp on tool.

To start the tool, slide the slide switch toward the "I (ON)" position. For continuous operation, press the front of the slide switch to lock it.

To stop the tool, press the rear of the slide switch, then slide it toward the "O (OFF)" position.

### Indication lamp with multi function (Fig. 6)

Indication lamps are located in two positions.

#### - Battery cartridge replacing signal

- When the battery power is almost used up during operation, the red lamp lights up and the tool stops immediately. Replace the battery with fully charged one when the red lamp lights up.

#### - Accidental re-start preventive function

- Even if the battery cartridge is inserted on the tool with the slide switch in the "I (ON)" position, the tool does not start. At this time, the lamp flickers slowly and this shows that the accidental re-start preventive function is at work.
- To start the tool, first slide the slide switch toward the "O (OFF)" position and then slide it toward the "I (ON)" position.

## ASSEMBLY

#### ⚠ CAUTION:

- Always be sure that the tool is switched off and the battery cartridge is removed before carrying out any work on the tool.

### Removing or installing the punch and die (Fig. 7, 8, 9 & 10)

Always replace the punch and die as a set. To remove the punch and die, loosen the lock nut with the wrench. Remove the die holder from the tool. Use the hex wrench to loosen the bolts which secure the die. Remove the die from the die holder.

Use the hex wrench to loosen the screw which secures the punch. Pull the punch out of the punch holder.

To install the punch and die, insert the punch into the punch holder so that the notch in the punch faces toward the screw. Tighten the screw to secure the punch. Install the die on the die holder. Tighten the bolts to secure the die.

Then install the die holder on the tool so that the punch is inserted through the hole in the die holder. Tighten the lock nut to secure the die holder. After replacing the punch and die, lubricate them with machine oil and run the tool for a while.

## OPERATION

### Pre-lubrication

Coat the cutting line with machine oil to increase the punch and die service life. This is particularly important when cutting aluminum.

### Cutting method (Fig. 11)

Hold the tool so that the cutting head is at a right angle (90°) to the workpiece being cut. Move the tool gently in the cutting direction.

### Cutouts (Fig. 12)

Cutouts can be done by first opening a round hole over 21 mm in diameter which the cutting head can be inserted into.

### Cutting the corrugated or trapezoidal sheet metals (Fig. 13 & 14)

Set the die position so that the die faces the cutting direction either when cutting at an angle or perpendicular to grooves in corrugated or trapezoidal sheet metals.

Always hold the tool body parallel to the grooves with the cutting head at a right angle (90°) to the cutting surface as shown in the figure.

## MAINTENANCE

#### ⚠ CAUTION:

- Always be sure that the tool is switched off and the battery cartridge is removed before attempting to perform inspection or maintenance.
- Never use gasoline, benzine, thinner, alcohol or the like. Discoloration, deformation or cracks may result.

### Replacing carbon brushes (Fig. 15, 16 & 17)

Remove and check the carbon brushes regularly. Replace when they wear down to the limit mark. Keep the carbon brushes clean and free to slip in the holders. Both carbon brushes should be replaced at the same time. Use only identical carbon brushes.

Insert the top end of slotted bit screwdriver into the notch in the tool and remove the holder cap cover by lifting it up.

Use a screwdriver to remove the brush holder caps. Take out the worn carbon brushes, insert the new ones and secure the brush holder caps.

Reinstall the holder cap cover on the tool.

To maintain product SAFETY and RELIABILITY, repairs, any other maintenance or adjustment should be performed by Makita Authorized Service Centers, always using Makita replacement parts.

**OPTIONAL ACCESSORIES****⚠ CAUTION:**

- These accessories or attachments are recommended for use with your Makita tool specified in this manual. The use of any other accessories or attachments might present a risk of injury to persons. Only use accessory or attachment for its stated purpose.

If you need any assistance for more details regarding these accessories, ask your local Makita Service Center.

- Die
- Punch
- Hex wrench
- Wrench 32
- Makita genuine battery and charger

**NOTE:**

- Some items in the list may be included in the tool package as standard accessories. They may differ from country to country.

ENG905-1

**Noise**

The typical A-weighted noise level determined according to EN60745:

**Model DJN160**

Sound pressure level ( $L_{pA}$ ): 72 dB(A)

Uncertainty (K): 3 dB(A)

The noise level under working may exceed 80 dB (A).

**Model DJN161**

Sound pressure level ( $L_{pA}$ ): 73 dB(A)

Uncertainty (K): 3 dB(A)

The noise level under working may exceed 80 dB (A).

**Wear ear protection**

ENG900-1

**Vibration**

The vibration total value (tri-axial vector sum) determined according to EN60745:

**Model DJN160**

Work mode: cutting sheet metal

Vibration emission ( $a_h$ ): 7.0 m/s<sup>2</sup>

Uncertainty (K): 1.5 m/s<sup>2</sup>

**Model DJN161**

Work mode: cutting sheet metal

Vibration emission ( $a_h$ ): 6.5 m/s<sup>2</sup>

Uncertainty (K): 1.5 m/s<sup>2</sup>

ENG901-1

- The declared vibration emission value has been measured in accordance with the standard test method and may be used for comparing one tool with another.
- The declared vibration emission value may also be used in a preliminary assessment of exposure.

**⚠ WARNING:**

- The vibration emission during actual use of the power tool can differ from the declared emission value depending on the ways in which the tool is used.
- Be sure to identify safety measures to protect the operator that are based on an estimation of exposure in the actual conditions of use (taking account of all parts of the operating cycle such as the times when the tool is switched off and when it is running idle in addition to the trigger time).

**For European countries only****EC Declaration of Conformity**

**We Makita Corporation as the responsible manufacturer declare that the following Makita machine(s):**

Designation of Machine:

Cordless Nibbler

Model No./ Type: DJN160, DJN161

are of series production and

**Conforms to the following European Directives:**

2006/42/EC

And are manufactured in accordance with the following standards or standardised documents:

EN60745

The technical documentation is kept by:

Makita International Europe Ltd.

Technical Department,

Michigan Drive, Tongwell,

Milton Keynes, Bucks MK15 8JD, England

26.4.2012



Tomoyasu Kato

Director

Makita Corporation

3-11-8, Sumiyoshi-cho,

Anjo, Aichi, 446-8502, JAPAN



### Descriptif

1	Bouton	12	Interrupteur à glissière	24	Vue du côté
2	Indicateur rouge	13	Témoin indicateur	25	Feuille de métal ondulée ou trapézoïdale
3	Batterie	14	Matrice	26	La tête de coupe doit être à angle droit (90°) par rapport à la surface de coupe.
4	Marque étoilée	15	Boulons	27	Repère d'usure
5	Porte-matrice	16	Clé hexagonale	28	Couvercle-capuchon de porte-balais
6	Contre-écrou	17	Poinçon	29	Tournevis
7	Desserrer	18	Porte-poinçon	30	Bouchon du porte-charbon
8	Clé	19	Vis		
9	Jauge pour couper l'acier inoxydable : 1,2 mm (3/64")	20	Serrer		
10	Jauge pour couper l'acier doux : 1,6 mm (1/16")	21	Vue du dessus		
11	Encoche	22	Coupe angulaire aux rainures		
		23	Coupe perpendiculaire aux rainures		

## SPÉCIFICATIONS

Modèle		DJN160	DJN161
Capacités max. de coupe	Acier jusqu'à 400 N/mm <sup>2</sup>	1,6 mm/16 ga	1,6 mm/16 ga
	Acier jusqu'à 600 N/mm <sup>2</sup>	1,2 mm/18 ga	1,2 mm/18 ga
	Aluminium jusqu'à 200 N/mm <sup>2</sup>	2,5 mm/12 ga	2,5 mm/12 ga
Rayon min. de coupe	Bord extérieur	50 mm	50 mm
	Bord intérieur	45 mm	45 mm
Nombre de courses par minute (min <sup>-1</sup> )		1 900	1 900
Longueur totale		313 mm	313 mm
Poids net		2,1 kg	2,2 kg
Tension nominale		14,4 V CC	18 V CC

- Étant donné l'évolution constante de notre programme de recherche et développement, les spécifications contenues dans ce manuel sont sujettes à modification sans préavis.
- Les spécifications et la batterie peuvent être différentes suivant les pays.
- Poids, avec la batterie, conformément à la procédure EPTA-01/2003

ENE037-1

### Utilisations

L'outil est conçu pour la coupe de la tôle et de la tôle inoxydable.

GEA010-1

### Consignes de sécurité générales pour outils électriques

**⚠ AVERTISSEMENT** Veuillez lire toutes les mises en garde et toutes les instructions. Il y a risque de choc électrique, d'incendie et/ou de blessure grave si les mises en garde et les instructions ne sont pas respectées.

Conservez toutes les mises en garde et instructions pour référence ultérieure.

GEB028-2

### CONSIGNES DE SÉCURITÉ POUR GRIGNOTEUSE

1. **Saisissez l'outil fermement.**
2. **Fixez la pièce à travailler solidement.**
3. **Maintenez les mains à l'écart des pièces en mouvement.**
4. **Les bords et les copeaux de la pièce à travailler sont coupants. Portez des gants. Il est également recommandé de porter des chaussures à semelle épaisse pour prévenir les blessures.**
5. **Ne déposez pas l'outil sur les copeaux de la pièce à travailler. Sinon, l'outil risque d'être endommagé.**
6. **Ne laissez pas l'outil fonctionner tout seul. Ne le faites fonctionner que lorsque vous l'avez en mains.**
7. **Assurez-vous d'avoir les pieds en position bien stable. Assurez-vous que personne ne se trouve sous vous lorsque vous utilisez l'outil dans un endroit élevé.**
8. **Ne touchez pas le poinçon, la matrice ou la pièce à travailler immédiatement après l'utilisation de l'outil ; ils peuvent être extrêmement chauds et vous brûler la peau.**

9. Prenez garde de couper des fils électriques. Il peut en résulter un grave accident par choc électrique.

## CONSERVEZ CES INSTRUCTIONS.

### ⚠ AVERTISSEMENT :

NE vous laissez PAS tromper (au fil d'une utilisation répétée) par un sentiment d'aisance et de familiarité avec le produit, en négligeant le respect rigoureux des consignes de sécurité qui accompagnent le produit en question. La MAUVAISE UTILISATION de l'outil ou l'ignorance des consignes de sécurité indiquées dans ce manuel d'instructions peut entraîner une blessure grave.

ENC007-8

## IMPORTANTES CONSIGNES DE SÉCURITÉ

### POUR LA BATTERIE

1. Avant d'utiliser la batterie, lisez toutes les instructions et précautions relatives (1) au chargeur de batterie, (2) à la batterie, et (3) à l'outil utilisant la batterie.
2. Ne démontez pas la batterie.
3. Si le temps de fonctionnement devient très court, cessez immédiatement l'utilisation. Autrement il y a risque de surchauffe, de brûlure, voire d'explosion.
4. Si de l'électrolyte pénètre dans vos yeux, rincez-les à l'eau claire et consultez immédiatement un médecin. Autrement il y a risque de blessure aux yeux.
5. Ne court-circuitez pas la batterie :
  - (1) Ne touchez les bornes avec aucun matériau conducteur.
  - (2) Évitez de ranger la batterie dans un conteneur avec d'autres objets métalliques, par exemple des clous, des pièces de monnaie, etc.
  - (3) N'exposez pas la batterie à l'eau ou à la pluie.

Un court-circuit de la batterie pourrait provoquer un fort courant, une surchauffe, parfois des brûlures et même une panne.

6. Ne rangez pas l'outil ou la batterie dans des endroits où la température risque d'atteindre ou de dépasser 50°C.
7. Ne jetez pas la batterie au feu même si elle est sérieusement endommagée ou complètement épuisée. La batterie peut exploser au contact du feu.
8. Prenez garde d'échapper ou de heurter la batterie.
9. N'utilisez pas une batterie abîmée.
10. La batterie doit être éliminée conformément aux réglementations locales en vigueur.

## CONSERVEZ CES INSTRUCTIONS.

### Conseils pour assurer la durée de vie optimale de la batterie

1. Rechargez la batterie avant qu'elle ne soit complètement déchargée. Arrêtez toujours l'outil et rechargez la batterie quand vous remarquez que la puissance de l'outil diminue.

2. Ne rechargez jamais une batterie sans batterie chargée.

La surcharge réduit la durée de service de la batterie.

3. Chargez la batterie alors que la température de la pièce se trouve entre 10°C à 40°C. Avant de charger une batterie chaude, laissez-la refroidir.
4. Chargez la batterie tous les six mois si elle reste inutilisée pendant une période prolongée.

## DESCRIPTION DU FONCTIONNEMENT

### ⚠ ATTENTION :

- Vérifiez toujours que l'outil est hors tension et que la batterie est retirée avant d'ajuster l'outil ou de vérifier son fonctionnement.

### Pose ou retrait de la batterie (Fig. 1)

#### ⚠ ATTENTION :

- Mettez toujours l'outil hors tension avant de poser ou de retirer la batterie.
- Lorsque vous posez ou retirez la batterie, tenez fermement l'outil et la batterie. Si vous ne tenez pas fermement l'outil et la batterie, ils risquent de s'abîmer en vous glissant des mains, et vous courez un risque de blessure corporelle.

Pour retirer la batterie, faites-la glisser hors de l'outil tout en faisant glisser le bouton qui se trouve à l'avant de la batterie.

Pour poser la batterie, alignez sa languette sur la rainure à l'intérieur du carter, et faites-la glisser en place. Insérez-la à fond, jusqu'à ce qu'elle se mette en place avec un léger dé clic. Si vous pouvez voir l'indicateur rouge du côté supérieur du bouton, la batterie n'est pas complètement verrouillée.

#### ⚠ ATTENTION :

- Insérez toujours la batterie à fond, jusqu'à ce que l'indicateur rouge ne soit plus visible. Sinon, elle pourrait tomber accidentellement de l'outil, au risque de vous blesser ou de blesser quelqu'un se trouvant près de vous.
- Ne forcez pas pour insérer la batterie. Si elle ne glisse pas facilement, c'est que vous ne l'insérez pas correctement.

### Dispositif de protection de la batterie (Fig. 2)

L'outil est doté d'un dispositif de protection de la batterie. Ce dispositif coupe automatiquement l'alimentation de l'outil pour prolonger la durée de service de la batterie.

Si l'outil ou la batterie se trouve dans l'une ou l'autre des situations suivantes, l'outil cessera automatiquement de fonctionner :

- Surchargé :

L'outil est utilisé de manière telle qu'il consomme un courant anormalement élevé.

Il faut mettre l'outil hors tension et arrêter l'application qui cause la surcharge. Remettez ensuite l'outil sous tension pour redémarrer.

Si l'outil ne démarre pas, cela signifie que la batterie est trop chaude. Il faut alors laisser refroidir la batterie avant de remettre l'outil sous tension.

- Faible tension de la batterie :

La charge restante de la batterie étant trop faible, l'outil ne fonctionne pas. Le cas échéant, retirez la batterie et rechargez-la.

## NOTE :

- La protection contre la surchauffe ne fonctionne qu'avec une batterie portant une marque en forme d'étoile.

### Changement de position de la matrice (Fig. 3)

La position du porte-matrice peut être modifiée de 360°. Pour la modifier, procédez comme suit.

- Desserrez le contre-écrou à l'aide de la clé fournie.
- Tirez légèrement sur le porte-matrice et tournez-le jusqu'à la position souhaitée pour l'exécution du travail.
- Serrez le contre-écrou pour fixer le porte-matrice sur la position souhaitée.  
Il y a quatre arrêts fixes, situés à 90° l'un de l'autre : 0°, 90° à gauche et à droite, et 180°. Pour placer la matrice sur un de ces arrêts fixes :
- Desserrez le contre-écrou à l'aide de la clé fournie.
- Tirez légèrement sur le porte-matrice et enfoncez-le légèrement tout en tournant jusqu'à la position souhaitée. Le porte-matrice se verrouillera sur la position d'arrêt fixe souhaitée.
- Tournez légèrement le porte-matrice pour vous assurer qu'il est bien verrouillé en position.
- Serrez le contre-écrou pour fixer le porte-matrice.

### Épaisseur de coupe admissible (Fig. 4)

L'épaisseur de matériau à couper dépend de la résistance à la traction du matériau lui-même. La rainure du porte-matrice tient lieu de jauge d'épaisseur pour l'épaisseur de coupe admissible. N'essayez pas de couper un matériau qui n'entre pas dans cette rainure.

### Ligne de coupe

Le cran du porte-matrice vous indique la ligne de coupe. Sa largeur est égale à la largeur de coupe. Alignez le cran sur la ligne de coupe de la pièce à travailler lorsque vous coupez.

### Interrupteur (Fig. 5)

#### ⚠ ATTENTION :

- Avant d'insérer la batterie dans l'outil, vérifiez toujours que l'interrupteur à glissière fonctionne correctement et revient sur la position d'arrêt (OFF) lorsque vous enfoncez l'arrière de l'interrupteur à glissière.
- Vous pouvez verrouiller l'interrupteur sur la position de marche (ON) pour plus de confort en cas d'utilisation prolongée. Soyez prudent lorsque vous verrouillez l'outil sur la position de marche (ON), et gardez une prise ferme sur l'outil.

Pour démarrer l'outil, faites glisser l'interrupteur à glissière sur la position "I (ON)". Pour un fonctionnement continu, appuyez sur l'avant de l'interrupteur à glissière pour le verrouiller.

Pour arrêter l'outil, appuyez sur l'arrière de l'interrupteur à glissière, puis faites-le glisser vers la position "O (OFF)".

### Témoin indicateur à fonctions multiples (Fig. 6)

Les témoins indicateurs sont situés en deux positions.

#### - Signal de remplacement de la batterie

- Si la batterie s'épuise presque complètement pendant l'exécution du travail, le témoin rouge s'allumera et l'outil s'arrêtera aussitôt. Lorsque le témoin rouge s'allume, remplacez la batterie par une autre complètement chargée.

## - Fonction de prévention du redémarrage accidentel

- L'outil ne démarrera pas même si la batterie y est insérée alors que l'interrupteur à glissière se trouve sur la position "I (ON)". Le témoin clignotera alors lentement pour indiquer que la fonction de prévention du redémarrage accidentelle s'est activée.
- Pour faire démarrer l'outil, glissez d'abord l'interrupteur à glissière vers la position "O (OFF)", puis vers la position "I (ON)".

## ASSEMBLAGE

### ⚠ ATTENTION :

- Assurez-vous toujours que l'outil est hors tension et que sa batterie est retirée avant d'effectuer tout travail dessus.

### Retrait ou pose du poinçon et de la matrice (Fig. 7, 8, 9 et 10)

Remplacez toujours le poinçon et la matrice en même temps. Pour retirer le poinçon et la matrice, desserrez le contre-écrou à l'aide de la clé. Retirez le porte-matrice de l'outil. Utilisez la clé hexagonale pour desserrer les boulons qui retiennent la matrice. Retirez la matrice du porte-matrice.

Utilisez la clé hexagonale pour desserrer la vis qui retient le poinçon. Tirez sur le poinçon pour le retirer du porte-poinçon.

Pour poser le poinçon et la matrice, insérez le poinçon dans le porte-poinçon avec le cran du poinçon orienté vers la vis. Serrez la vis pour fixer le poinçon. Posez la matrice sur le porte-matrice. Serrez les boulons pour fixer la matrice.

Posez ensuite le porte-matrice sur l'outil, de sorte que le poinçon soit inséré dans l'orifice du porte-matrice. Serrez le contre-écrou pour fixer le porte-matrice. Après le remplacement du poinçon et de la matrice, lubrifiez-les avec de l'huile à machine et faites tourner l'outil un moment.

## UTILISATION

### Prélubrification

Recouvrez la ligne de coupe d'huile à machine pour prolonger la durée de service du poinçon et de la matrice. Cela est tout particulièrement important lorsque vous coupez de l'aluminium.

### Méthode de coupe (Fig. 11)

Saisissez l'outil de sorte que la tête de coupe soit à angle droit (90°) par rapport à la pièce à couper. Déplacez l'outil doucement dans le sens de la coupe.

### Découpes (Fig. 12)

Les découpes peuvent être effectuées en perçant d'abord un trou rond de plus de 21 mm de diamètre qui permettra d'insérer la tête de coupe.

### Coupe des feuilles de métal ondulées ou trapézoïdales (Fig. 13 et 14)

Placez la matrice de sorte qu'elle soit face au sens de la coupe lorsque vous coupez sur un angle ou perpendiculairement aux rainures dans des feuilles de métal ondulées ou trapézoïdales.

Maintenez toujours le corps de l'outil parallèle aux rainures et avec la tête de coupe à angle droit (90°) par rapport à la surface de coupe, tel qu'illustré sur la figure.

**ENTRETIEN****⚠ ATTENTION :**

- Assurez-vous toujours que l'outil est hors tension et la batterie retirée avant d'effectuer tout travail d'inspection ou d'entretien.
- N'utilisez jamais d'essence, benzine, diluant, alcool ou autre produit similaire. Cela risquerait de provoquer la décoloration, la déformation ou la fissuration de l'outil.

**Remplacement des charbons (Fig. 15, 16 et 17)**

Retirez et vérifiez régulièrement les charbons. Remplacez-les lorsqu'ils sont usés jusqu'au repère d'usure. Maintenez les charbons propres et en état de glisser aisément dans les porte-charbon. Les deux charbons doivent être remplacés en même temps. N'utilisez que des charbons identiques.

Insérez la pointe d'un tournevis à pointe plate dans le cran de l'outil, et soulevez le couvercle-capuchon de porte-balais pour le retirer.

Retirez les bouchons de porte-charbon à l'aide d'un tournevis. Enlevez les charbons usés, insérez les charbons neufs et revissez solidement les bouchons de porte-charbon.

Remettez en place le couvercle-capuchon de porte-balais sur l'outil.

Pour maintenir la SÉCURITÉ et la FIABILITÉ du produit, les réparations, travaux d'entretien et autres réglages doivent être effectués dans un centre de service Makita agréé, exclusivement avec des pièces de rechange Makita.

**ACCESSOIRES EN OPTION****⚠ ATTENTION :**

- Ces accessoires ou pièces complémentaires sont recommandés pour l'utilisation avec l'outil Makita spécifié dans ce mode d'emploi. L'utilisation de tout autre accessoire ou pièce complémentaire peut comporter un risque de blessure. N'utilisez les accessoires ou pièces qu'aux fins auxquelles ils ont été conçus.

Si vous désirez obtenir plus de détails concernant ces accessoires, veuillez contacter le centre de service après-vente Makita le plus près.

- Matrice
- Poinçon
- Clé hexagonale
- Clé 32
- Batterie et chargeur Makita authentiques

**NOTE :**

- Il se peut que certains éléments de la liste soient compris dans l'emballage de l'outil en tant qu'accessoires standard. Ils peuvent varier d'un pays à l'autre.

**Bruit**

Niveau de bruit pondéré A typique, déterminé selon EN60745 :

**Modèle DJN160**

Niveau de pression sonore ( $L_{pA}$ ) : 72 dB(A)

Incertitude (K) : 3 dB(A)

Le niveau de bruit en fonctionnement peut dépasser 80 dB (A).

**Modèle DJN161**

Niveau de pression sonore ( $L_{pA}$ ) : 73 dB(A)

Incertitude (K) : 3 dB(A)

Le niveau de bruit en fonctionnement peut dépasser 80 dB (A).

**Porter des protecteurs anti-bruit**

ENG900-1

**Vibrations**

Valeur totale de vibrations (somme de vecteur triaxial) déterminée selon EN60745 :

**Modèle DJN160**

Mode de travail : découpe de tôle

Émission de vibrations ( $a_{rh}$ ) : 7,0 m/s<sup>2</sup>

Incertitude (K) : 1,5 m/s<sup>2</sup>

**Modèle DJN161**

Mode de travail : découpe de tôle

Émission de vibrations ( $a_{rh}$ ) : 6,5 m/s<sup>2</sup>

Incertitude (K) : 1,5 m/s<sup>2</sup>

ENG901-1

- La valeur d'émission de vibrations déclarée a été mesurée conformément à la méthode de test standard et peut être utilisée pour comparer les outils entre eux.
- La valeur d'émission de vibrations déclarée peut aussi être utilisée pour l'évaluation préliminaire de l'exposition.

**⚠ AVERTISSEMENT :**

- L'émission de vibrations lors de l'usage réel de l'outil électrique peut être différente de la valeur d'émission déclarée, suivant la façon dont l'outil est utilisé.
- Les mesures de sécurité à prendre pour protéger l'utilisateur doivent être basées sur une estimation de l'exposition dans des conditions réelles d'utilisation (en tenant compte de toutes les composantes du cycle d'utilisation, comme par exemple le moment de sa mise hors tension, lorsqu'il tourne à vide et le moment de son déclenchement).

**Pour les pays d'Europe uniquement**

**Déclaration de conformité CE**

**Makita Corporation, en tant que fabricant responsable, déclare que la ou les machine(s) Makita suivante(s) :**

Désignation de la machine :

Grignoteuse Sans Fil

N° de modèle / Type : DJN160, DJN161

sont produites en série et

**sont conformes aux directives européennes suivantes :**

2006/42/CE

et qu'elles sont fabriquées conformément aux normes ou documents normalisés suivants :

EN60745

La documentation technique est conservée par :

Makita International Europe Ltd.

Service technique,

Michigan Drive, Tongwell,

Milton Keynes, Bucks MK15 8JD, Angleterre

26.4.2012



Tomoyasu Kato  
Directeur

Makita Corporation  
3-11-8, Sumiyoshi-cho,  
Anjo, Aichi, 446-8502, JAPAN

## Übersicht

1 Knopf	11 Kerbe	23 Schneiden senkrecht zu den Nuten
2 Rote Anzeige	12 Schiebeshalter	24 Seitenansicht
3 Akku	13 Anzeigelampe	25 Wellblech oder Trapezblech
4 Sternsymbol	14 Matrize	26 Der Schneidkopf muss im rechten Winkel (90°) zur Schnittfläche stehen.
5 Matrizenhalter	15 Schrauben	27 Verschleißgrenze
6 Sicherungsmutter	16 Inbusschlüssel	28 Halterkappenabdeckung
7 Lösen	17 Stempel	29 Schraubendreher
8 Schraubenschlüssel	18 Stempelhalter	30 Bürstenhalterkappe
9 Messnut zum Schneiden von Edelstahl: 1,2 mm (3/64")	19 Schraube	
10 Messnut zum Schneiden von Weichstahl: 1,6 mm (1/16")	20 Anziehen	
	21 Draufsicht	
	22 Schneiden schräg zu den Nuten	

## TECHNISCHE DATEN

Modell		DJN160	DJN161
Max. Schnittleistung	Stahl bis zu 400 N/mm <sup>2</sup>	1,6 mm/16 ga	1,6 mm/16 ga
	Stahl bis zu 600 N/mm <sup>2</sup>	1,2 mm/18 ga	1,2 mm/18 ga
	Aluminium bis zu 200 N/mm <sup>2</sup>	2,5 mm/12 ga	2,5 mm/12 ga
Min. Schnittradius	Außenkante	50 mm	50 mm
	Innenkante	45 mm	45 mm
Hubzahl pro Minute (min <sup>-1</sup> )		1 900	1 900
Gesamtlänge		313 mm	313 mm
Nettogewicht		2,1 kg	2,2 kg
Nennspannung		DC 14,4 V	DC 18 V

- Aufgrund unseres Dauerprogramms der Forschung und Entwicklung unterliegen die hier angegebenen technischen Daten Änderung ohne Vorankündigung.
- Die technischen Daten und der Akku können von Land zu Land unterschiedlich sein.
- Gewicht mit Akku nach EPTA-Verfahren 01/2003

ENE037-1

### Vorgesehene Verwendung

Die Maschine ist zum Schneiden von Stahlblech und Edelstahlblech vorgesehen.

GEA010-1

### Allgemeine Sicherheitswarnungen für Elektrowerkzeuge

**⚠️ WARNUNG Lesen Sie alle Sicherheitswarnungen und Anweisungen durch.** Eine Missachtung der unten aufgeführten Warnungen und Anweisungen kann zu einem elektrischen Schlag, Brand und/oder schweren Verletzungen führen.

**Bewahren Sie alle Warnungen und Anweisungen für spätere Bezugnahme auf.**

GEB028-2

### SICHERHEITSWARNUNGEN FÜR KNABBER

1. Halten Sie das Werkzeug mit festem Griff.
2. Sichern Sie das Werkstück einwandfrei.
3. Halten Sie die Hände von rotierenden Teilen fern.

4. Die Kanten und Späne des Werkstücks sind scharf. Tragen Sie Handschuhe. Zur Verhütung von Verletzungen ist es auch empfehlenswert, dick besohlte Schuhe zu tragen.
5. Legen Sie das Werkzeug nicht auf die Späne des Werkstücks. Anderenfalls kann es zu Beschädigung und Funktionsstörungen des Werkzeugs kommen.
6. Lassen Sie das Werkzeug nicht unbeaufsichtigt laufen. Benutzen Sie das Werkzeug nur mit Handhaltung.
7. Achten Sie stets auf sicheren Stand. Vergewissern Sie sich bei Einsatz des Werkzeugs an hochgelegenen Arbeitsplätzen, dass sich keine Personen darunter aufhalten.
8. Vermeiden Sie eine Berührung des Kerbstifts, der Matrize oder des Werkstücks unmittelbar nach der Bearbeitung, weil die Teile noch sehr heiß sind und Hautverbrennungen verursachen können.
9. Vermeiden Sie das Durchtrennen von elektrischen Kabeln. Dies kann zu schweren Unfällen durch elektrischen Schlag führen.

**BEWAHREN SIE DIESE HINWEISE SORGFÄLTIG AUF.**

### **⚠️ WARNUNG:**

Lassen Sie sich NICHT durch Bequemlichkeit oder Vertrautheit mit dem Produkt (durch wiederholten Gebrauch erworben) von der strikten Einhaltung der Sicherheitsregeln für das vorliegende Produkt abhalten. MISSBRAUCH oder Missachtung der Sicherheitsvorschriften in dieser Anleitung können schwere Verletzungen verursachen.

ENC007-8

## **WICHTIGE SICHERHEITSVORSCHRIFTEN**

### **FÜR AKKU**

1. Lesen Sie vor der Benutzung des Akkus alle Anweisungen und Warnhinweise, die an (1) Ladegerät, (2) Akku und (3) Akkuwerkzeug angebracht sind.
2. Unterlassen Sie ein Zerlegen des Akkus.
3. Falls die Betriebszeit beträchtlich kürzer geworden ist, stellen Sie den Betrieb sofort ein. Anderenfalls besteht die Gefahr von Überhitzung, möglichen Verbrennungen und sogar einer Explosion.
4. Falls Elektrolyt in Ihre Augen gelangt, waschen Sie sie mit sauberem Wasser aus, und begeben Sie sich unverzüglich in ärztliche Behandlung. Anderenfalls können Sie Ihre Sehkraft verlieren.
5. Der Akku darf nicht kurzgeschlossen werden:
  - (1) Die Kontakte dürfen nicht mit leitfähigem Material berührt werden.
  - (2) Lagern Sie den Akku nicht in einem Behälter zusammen mit anderen Metallgegenständen, wie z.B. Nägel, Münzen usw.
  - (3) Setzen Sie den Akku weder Wasser noch Regen aus.

Ein Kurzschluss des Akkus verursacht starken Stromfluss, der Überhitzung, Verbrennungen und einen Defekt zur Folge haben kann.

6. Lagern Sie Maschine und Akku nicht an Orten, an denen die Temperatur 50°C erreichen oder überschreiten kann.
7. Versuchen Sie niemals, den Akku zu verbrennen, selbst wenn er stark beschädigt oder vollkommen verbraucht ist. Der Akku kann im Feuer explodieren.
8. Achten Sie darauf, dass der Akku nicht fallen gelassen oder Stößen ausgesetzt wird.
9. Benutzen Sie keine beschädigten Akkus.
10. Befolgen Sie die örtlichen Bestimmungen bezüglich der Entsorgung von Akkus.

### **BEWAHREN SIE DIESE HINWEISE SORGFÄLTIG AUF.**

#### **Hinweise zur Aufrechterhaltung der maximalen Akku-Nutzungsdauer**

1. Laden Sie den Akku, bevor er vollkommen erschöpft ist.  
Schalten Sie die Maschine stets aus, und laden Sie den Akku, wenn Sie ein Nachlassen der Maschinenleistung feststellen.
2. Unterlassen Sie das erneute Laden eines voll aufgeladenen Akkus.  
Überladen führt zu einer Verkürzung der Nutzungsdauer des Akkus.

3. Laden Sie den Akku bei Raumtemperatur zwischen 10°C – 40°C. Lassen Sie einen heißen Akku abkühlen, bevor Sie ihn laden.

4. Laden Sie den Akku bei längerer Nichtbenutzung alle sechs Monate nach.

## **FUNKTIONSBESCHREIBUNG**

### **⚠️ VORSICHT:**

- Vergewissern Sie sich vor der Durchführung von Einstellungen oder Funktionsprüfungen der Maschine stets, dass die Maschine ausgeschaltet und der Akku abgenommen ist.

### **Anbringen und Abnehmen des Akkus (Abb. 1)**

#### **⚠️ VORSICHT:**

- Schalten Sie stets die Maschine aus, bevor Sie den Akku anbringen oder abnehmen.
- Halten Sie Maschine und Akku beim Anbringen oder Abnehmen des Akkus sicher fest. Wenn Sie Maschine und Akku nicht sicher festhalten, können sie Ihnen aus der Hand rutschen, was zu einer Beschädigung der Maschine und des Akkus und zu Körperverletzungen führen kann.

Ziehen Sie den Akku zum Abnehmen von der Maschine ab, während Sie den Knopf an der Vorderseite des Akkus verschieben.

Richten Sie zum Anbringen des Akkus dessen Führungsfeder auf die Nut im Gehäuse aus, und schieben Sie den Akku hinein. Schieben Sie ihn vollständig ein, bis er mit einem hörbaren Klicken einrastet. Falls die rote Anzeige an der Oberseite des Knopfes sichtbar ist, ist der Akku-Adapter nicht vollständig verriegelt.

#### **⚠️ VORSICHT:**

- Schieben Sie den Akku stets bis zum Anschlag ein, bis die rote Anzeige nicht mehr sichtbar ist. Anderenfalls kann er aus der Maschine herausfallen und Sie oder umstehende Personen verletzen.
- Unterlassen Sie Gewaltanwendung beim Anbringen des Akkus. Falls der Akku nicht reibungslos hineingleitet, ist er nicht richtig ausgerichtet.

### **Akku-Schutzsystem (Abb. 2)**

Die Maschine ist mit einem Akku-Schutzsystem ausgestattet. Dieses System schaltet die Stromversorgung des Motors automatisch ab, um die Akku-Lebensdauer zu verlängern.

Die Maschine schaltet sich während des Betriebs automatisch ab, wenn Maschine und/oder Akku einer der folgenden Bedingungen unterliegen:

- Überlastung:  
Die Maschine wird auf eine Weise benutzt, die eine ungewöhnlich hohe Stromaufnahme bewirkt. Schalten Sie in dieser Situation die Maschine aus, und brechen Sie die Anwendung ab, die eine Überlastung der Maschine verursacht hat. Schalten Sie dann die Maschine wieder ein, um sie neu zu starten.  
Falls die Maschine nicht startet, ist der Akku überhitzt. Lassen Sie den Akku in dieser Situation abkühlen, bevor Sie die Maschine wieder einschalten.
- Niedrige Akkuspannung:  
Die Akku-Restkapazität ist zu niedrig, und die Maschine funktioniert nicht. Nehmen Sie in dieser Situation den Akku ab, und laden Sie ihn auf.



## HINWEIS:

- Der Überhitzungsschutz funktioniert nur mit einem Akku mit Sternsymbol.

## Ändern der Matrizenposition (Abb. 3)

Die Matrizenhalterposition kann innerhalb von 360° geändert werden. Gehen Sie dazu folgendermaßen vor.

1. Die Sicherungsmutter mit dem mitgelieferten Schraubenschlüssel lösen.
2. Den Matrizenhalter leicht ziehen und auf die gewünschte Arbeitsposition drehen.
3. Die Sicherungsmutter anziehen, um den Matrizenhalter in der gewünschten Position zu arretieren.

Vier um jeweils 90° versetzte Rastpositionen sind vorhanden: 0°, 90° links und rechts sowie 180°. Um die Matrize auf eine dieser Rastpositionen zu stellen:

4. Die Sicherungsmutter mit dem mitgelieferten Schraubenschlüssel lösen.
5. Den Matrizenhalter leicht ziehen, und dann leicht drücken, während er auf die gewünschte Position gedreht wird. Der Matrizenhalter rastet wunschgemäß in eine der Rastpositionen ein.
6. Den Matrizenhalter geringfügig drehen, um sicherzugehen, dass er einwandfrei eingerastet ist.
7. Die Sicherungsmutter anziehen, um den Matrizenhalter zu arretieren.

## Zulässige Schnittdicke (Abb. 4)

Die Dicke des zu schneidenden Materials hängt von der Zugfestigkeit des Materials selbst ab. Die Nut am Matrizenhalter dient als Dickenlehre für die zulässige Schnittdicke. Versuchen Sie nicht, Material zu schneiden, das nicht in diese Nut passt.

## Schnittlinie

Die Kerbe im Matrizenhalter kennzeichnet Ihre Schnittlinie. Ihre Breite entspricht der Schnittbreite. Die Kerbe beim Schneiden auf die Schnittlinie am Werkstück ausrichten.

## Schalterfunktion (Abb. 5)

### ⚠ VORSICHT:

- Vergewissern Sie sich vor dem Einsetzen des Akkus in die Maschine stets, dass der Schiebeschalter ordnungsgemäß funktioniert und beim Drücken der Rückseite in die „AUS“ Stellung zurückkehrt.
- Der Schalter kann zur Arbeitserleichterung bei längerem Einsatz in der „EIN“ Stellung verriegelt werden. Lassen Sie Vordruck walten, wenn Sie den Schalter in der „EIN“ Stellung verriegeln, und halten Sie die Maschine mit festem Griff.

Zum Einschalten der Maschine den Schiebeschalter auf die Position „I (EIN)“ schieben. Für Dauerbetrieb rasten Sie den Schalter durch Drücken seiner Vorderseite ein.

Zum Ausschalten des Werkzeugs die Rückseite des Schiebeschalters drücken, und dann den Schalter auf die Stellung „O (AUS)“ schieben.

## Anzeigelampe mit Multifunktion (Abb. 6)

Anzeigelampen befinden sich an zwei Positionen.

### - Akku-Austauschsignal

- Wenn der Akku während des Betriebs nahezu erschöpft ist, leuchtet die rote Lampe auf, und die Maschine bleibt sofort stehen. Tauschen Sie den Akku gegen einen voll aufgeladenen aus, wenn die rote Lampe aufleuchtet.

## - Neustart-Verhütungsfunktion

- Selbst wenn der Akku in die Maschine eingesetzt wird, während der Schiebeschalter auf der Position „I (EIN)“ steht, läuft die Maschine nicht an. In diesem Fall blinkt die Lampe langsam, wodurch angezeigt wird, dass die Neustart-Verhütungsfunktion aktiv ist.
- Um die Maschine zu starten, schieben Sie den Schiebeschalter zuerst auf die Position „O (AUS)“, und dann auf die Position „I (EIN)“.

## MONTAGE

### ⚠ VORSICHT:

- Vergewissern Sie sich vor der Ausführung von Arbeiten an der Maschine stets, dass die Maschine ausgeschaltet und der Akku abgenommen ist.

## Abnehmen oder Anbringen von Stempel und Matrize (Abb. 7, 8, 9 u. 10)

Stempel und Matrize sind stets als Satz auszutauschen. Zum Entfernen von Stempel und Matrize die Sicherungsmutter mit dem Schraubenschlüssel lösen. Den Matrizenhalter von der Maschine abnehmen. Die Befestigungsschrauben der Matrize mit dem Inbusschlüssel lösen. Die Matrize vom Matrizenhalter abnehmen.

Die Befestigungsschraube des Stempels mit dem Inbusschlüssel lösen. Den Stempel aus dem Stempelhalter herausziehen.

Um Stempel und Matrize anzubringen, den Stempel in den Stempelhalter einführen, so dass die Kerbe im Stempel zur Schraube zeigt. Die Schraube zum Sichern des Stempels anziehen. Die Matrize am Matrizenhalter anbringen. Die Schrauben zum Sichern der Matrize anziehen.

Dann den Matrizenhalter an der Maschine anbringen, so dass der Stempel durch die Öffnung im Matrizenhalter eingeführt wird. Die Sicherungsmutter anziehen, um den Matrizenhalter zu arretieren. Nach dem Austauschen von Stempel und Matrize die Teile mit Maschinenöl schmieren, und die Maschine eine Zeitlang laufen lassen.

## BETRIEB

### Verschmierung

Tragen Sie Maschinenöl auf die Schnittlinie auf, um die Standzeit von Stempel und Matrize zu verlängern. Dies ist besonders wichtig beim Schneiden von Aluminium.

### Schneidmethode (Abb. 11)

Halten Sie die Maschine so, dass sich der Schneidkopf im rechten Winkel (90°) zu dem zu schneidenden Werkstück befindet. Schieben Sie die Maschine sachte in Schneidrichtung vor.

### Ausschnitte (Abb. 12)

Ausschnitte können durchgeführt werden, indem zuerst ein Rundloch von über 21 mm Durchmesser geöffnet wird, in das der Schneidkopf eingeführt werden kann.

### Schneiden von Wellblech und Trapezblech (Abb. 13 u. 14)

Stellen Sie die Matrizenposition so ein, dass die Matrize in Schnittrichtung zeigt, entweder wenn schräg oder senkrecht zu Nuten in Wellblech oder Trapezblech geschnitten wird.



Halten Sie das Maschinengehäuse stets parallel zu den Nuten mit dem Schneidkopf im rechten Winkel (90°) zur Schnittfläche, wie in der Abbildung gezeigt.

## WARTUNG

### VORSICHT:

- Vergewissern Sie sich vor der Durchführung von Inspektions- oder Wartungsarbeiten stets, dass die Maschine ausgeschaltet und der Akku abgenommen ist.
- Verwenden Sie auf keinen Fall Benzin, Benzol, Verdünner, Alkohol oder dergleichen. Solche Mittel können Verfärbung, Verformung oder Rissbildung verursachen.

### Auswechseln der Kohlebürsten (Abb. 15, 16 u. 17)

Die Kohlebürsten müssen regelmäßig entfernt und überprüft werden. Wenn sie bis zur Verschleißgrenze abgenutzt sind, müssen sie erneuert werden. Halten Sie die Kohlebürsten stets sauber, damit sie ungehindert in den Haltern gleiten können. Beide Kohlebürsten sollten gleichzeitig erneuert werden. Verwenden Sie nur identische Kohlebürsten.

Führen Sie die Spitze eines Schlitzschraubenziehers in die Kerbe der Maschine ein, und entfernen Sie die Halterkappenabdeckung durch Anheben.

Die Bürstenhalterkappen mit einem Schraubendreher herausdrehen. Die abgenutzten Kohlebürsten herausnehmen, die neuen einsetzen, und dann die Bürstenhalterkappen wieder eindrehen.

Bringen Sie die Halterkappenabdeckung wieder an der Maschine an.

Um die SICHERHEIT und ZUVERLÄSSIGKEIT dieses Produkts zu gewährleisten, sollten Reparaturen und andere Wartungs- oder Einstellarbeiten nur von Makita-Kundendienstzentren unter ausschließlicher Verwendung von Makita-Originalersatzteilen ausgeführt werden.

## SONDERZUBEHÖR

### VORSICHT:

- Die folgenden Zubehörteile oder Vorrichtungen werden für den Einsatz mit der in dieser Anleitung beschriebenen Makita-Maschine empfohlen. Die Verwendung anderer Zubehörteile oder Vorrichtungen kann eine Verletzungsgefahr darstellen. Verwenden Sie Zubehörteile oder Vorrichtungen nur für ihren vorgesehenen Zweck.

Wenn Sie weitere Einzelheiten bezüglich dieser Zubehörteile benötigen, wenden Sie sich bitte an Ihre Makita-Kundendienststelle.

- Matrize
- Stempel
- Inbusschlüssel
- Schraubenschlüssel 32
- Original-Makita-Akku und -Ladegerät

### HINWEIS:

- Manche Teile in der Liste können als Standardzubehör im Werkzeugsatz enthalten sein. Sie können von Land zu Land unterschiedlich sein.

## Geräusch

Typischer A-bewerteter Geräuschpegel ermittelt gemäß EN60745:

### Modell DJN160

Schalldruckpegel ( $L_{pA}$ ): 72 dB(A)  
Ungewissheit (K): 3 dB(A)

Der Lärmpegel kann während des Betriebs 80 dB (A) überschreiten.

### Modell DJN161

Schalldruckpegel ( $L_{pA}$ ): 73 dB(A)  
Ungewissheit (K): 3 dB(A)

Der Lärmpegel kann während des Betriebs 80 dB (A) überschreiten.

## Gehörschutz tragen

ENG900-1

## Vibration

Vibrationsgesamtwerk (Drei-Achsen-Vektorsumme) ermittelt gemäß EN60745:

### Modell DJN160

Arbeitsmodus: Schneiden von Blechen  
Vibrationsemission ( $a_{h1}$ ): 7,0 m/s<sup>2</sup>  
Ungewissheit (K): 1,5 m/s<sup>2</sup>

### Modell DJN161

Arbeitsmodus: Schneiden von Blechen  
Vibrationsemission ( $a_{h1}$ ): 6,5 m/s<sup>2</sup>  
Ungewissheit (K): 1,5 m/s<sup>2</sup>

ENG901-1

- Der angegebene Vibrationsemissionswert wurde im Einklang mit der Standardprüfmethode gemessen und kann für den Vergleich zwischen Maschinen herangezogen werden.
- Der angegebene Vibrationsemissionswert kann auch für eine Vorbewertung des Gefährdungsgrads verwendet werden.

### WARNUNG:

- Die Vibrationsemission während der tatsächlichen Benutzung des Elektrowerkzeugs kann je nach der Benutzungsweise der Maschine vom angegebenen Emissionswert abweichen.
- Identifizieren Sie Sicherheitsmaßnahmen zum Schutz des Benutzers anhand einer Schätzung des Gefährdungsgrads unter den tatsächlichen Benutzungsbedingungen (unter Berücksichtigung aller Phasen des Arbeitszyklus, wie z. B. Ausschalt- und Leerlaufzeiten der Maschine zusätzlich zur Betriebszeit).

Nur für europäische Länder

### EG-Übereinstimmungserklärung

**Wir, die Firma Makita als verantwortlicher Hersteller, erklären, dass die folgende(n) Makita-Maschine(n):**

Bezeichnung der Maschine:

Akku-Knabber

Modell-Nr./ Typ: DJN160, DJN161

der Serienproduktion entstammen und

**den folgenden europäischen Richtlinien entsprechen:**

2006/42/EG

und gemäß den folgenden Standards oder standardisierten Dokumenten hergestellt werden:

EN60745

Die technische Dokumentation befindet sich im Bestand von:

Makita International Europe Ltd.

Technische Abteilung,

Michigan Drive, Tongwell,

Milton Keynes, Bucks MK15 8JD, England

26.4.2012



Tomoyasu Kato  
Direktor

Makita Corporation  
3-11-8, Sumiyoshi-cho,  
Anjo, Aichi, 446-8502, JAPAN

# Makita Corporation

Anjo, Aichi, Japan

885293-995

[www.makita.com](http://www.makita.com)

IDE