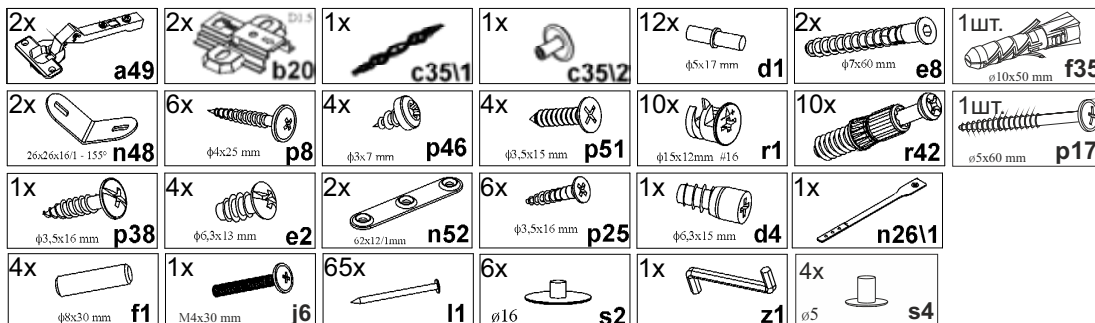
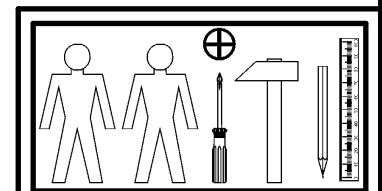
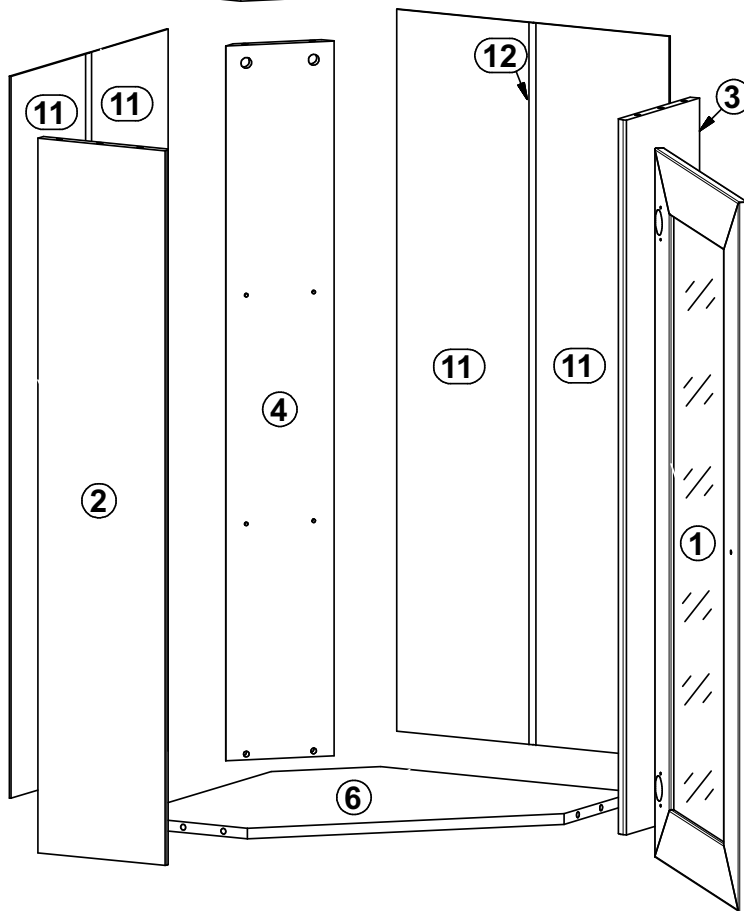
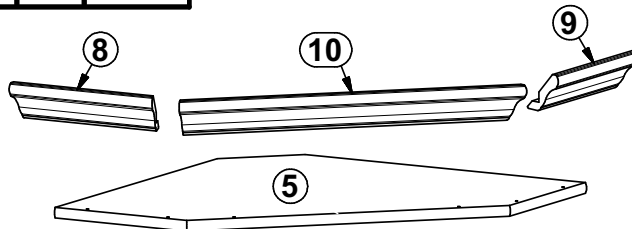
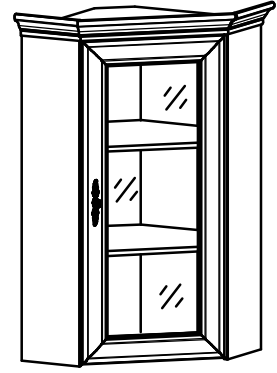
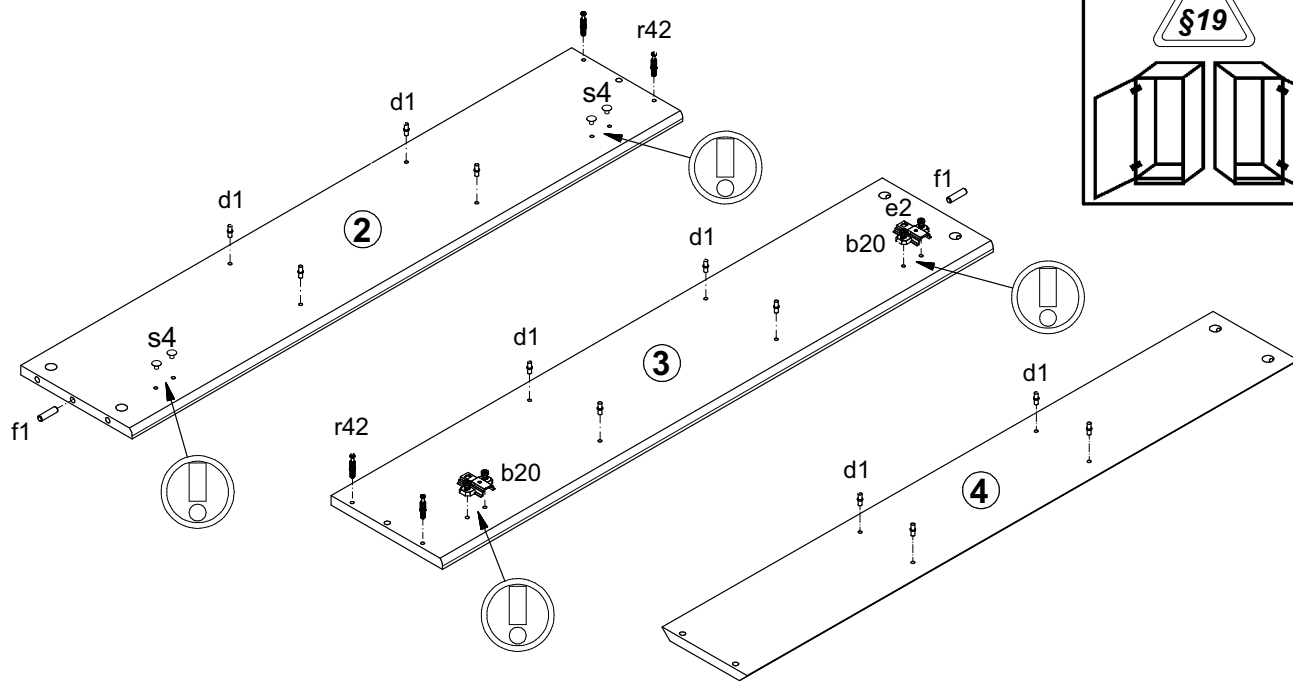
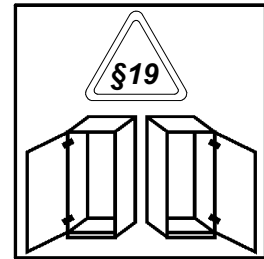
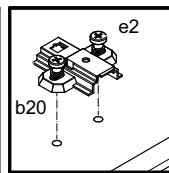
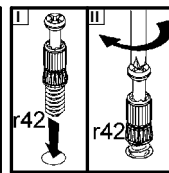
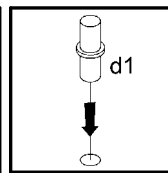
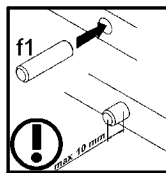
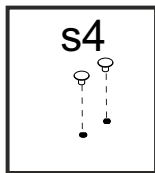


S320-NADN1W

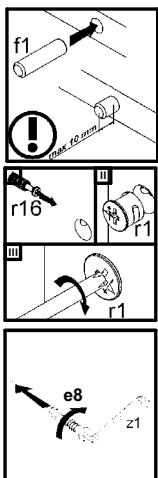
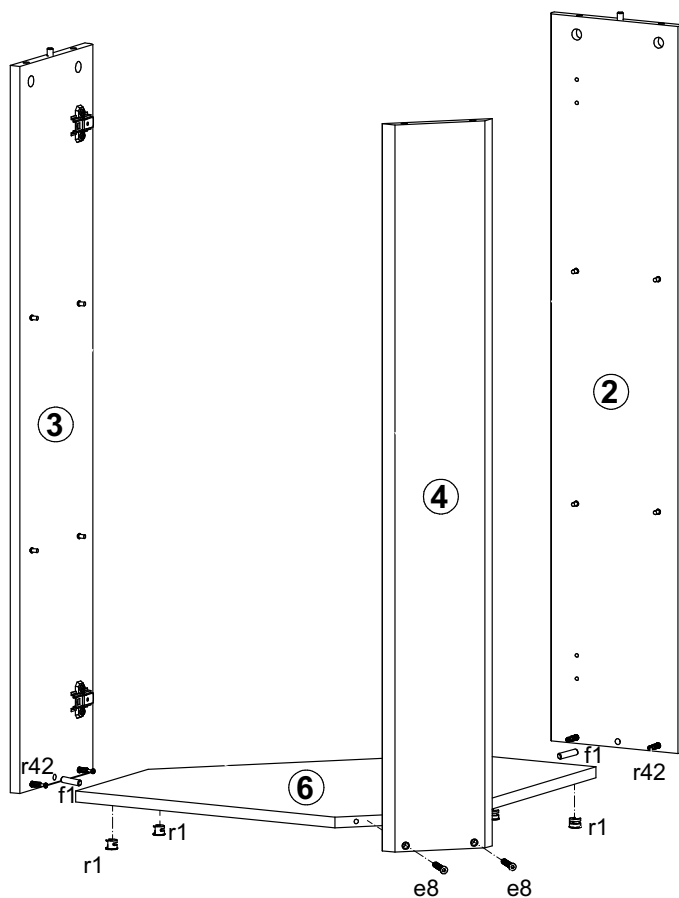
A	B	C	D																
1	S320-0012/A	992	446	4/4															
2	S320-128	1000	202	1/4															
3	S320-129	1000	202	1/4															
4	S320-130-01	1000	154	1/4															
5	S320-220	536	536	2/4															
6	S320-315	514	514	2/4															
7	S320-316	513	513	2/4															
8	S320-530	227	80	3/4															
9	S320-531	227	80	3/4 </tr <tr> <td>10</td> <td>S320-532</td> <td>495</td> <td>80</td> <td>3/4</td> </tr> <tr> <td>11</td> <td>S320-1908</td> <td>1011</td> <td>216</td> <td>1/4</td> </tr> <tr> <td>12</td> <td>Lh-977</td> <td>977</td> <td>14</td> <td>1/4</td> </tr>	10	S320-532	495	80	3/4	11	S320-1908	1011	216	1/4	12	Lh-977	977	14	1/4
10	S320-532	495	80	3/4															
11	S320-1908	1011	216	1/4															
12	Lh-977	977	14	1/4															



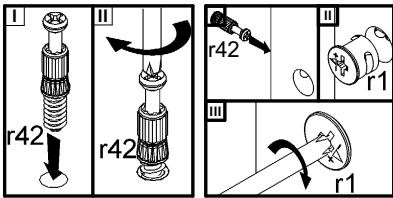
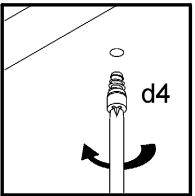
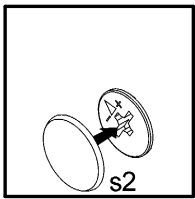
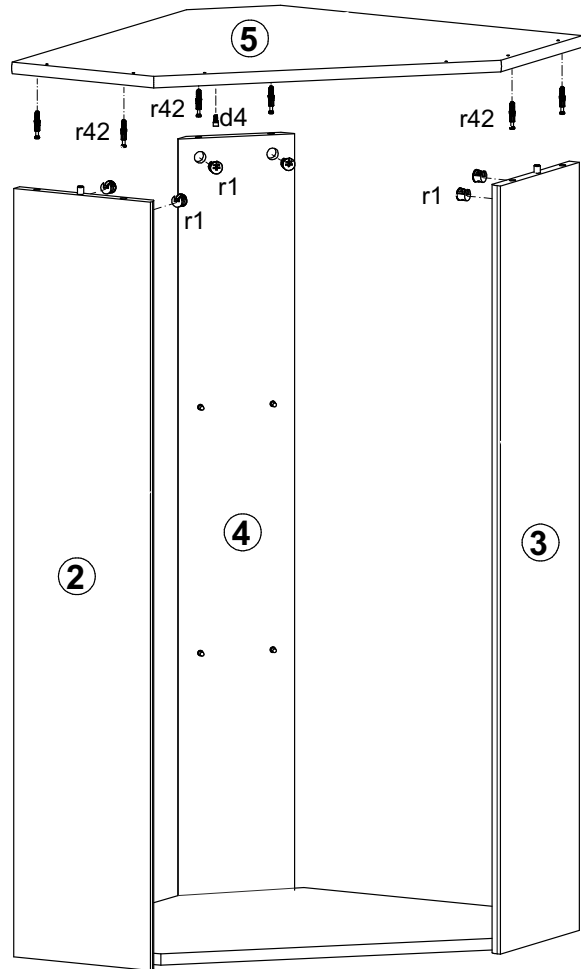
1



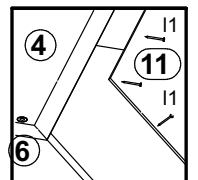
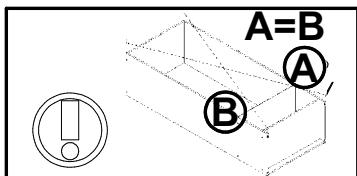
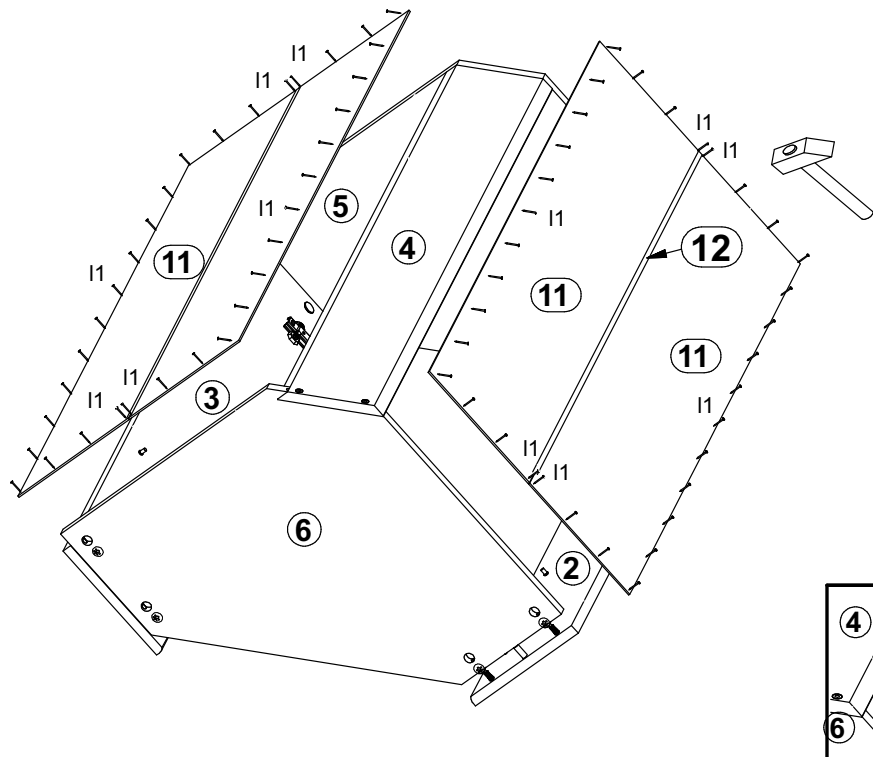
2



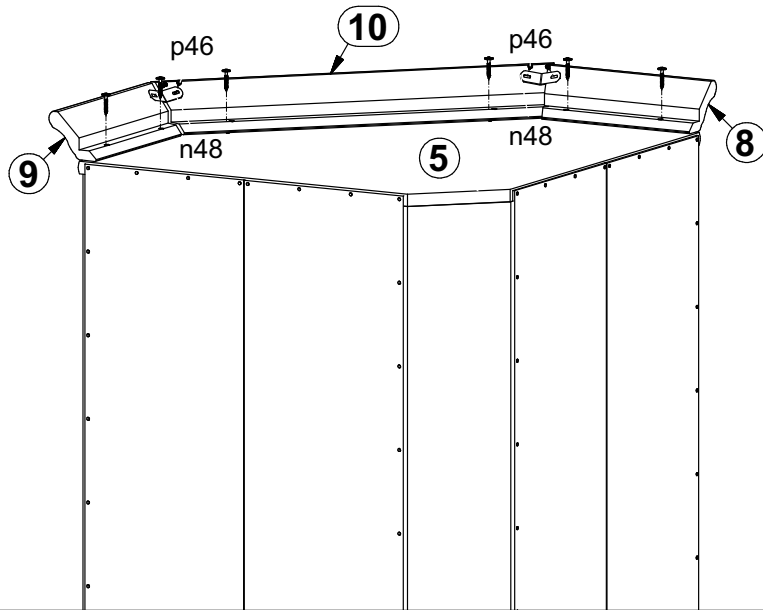
3



4



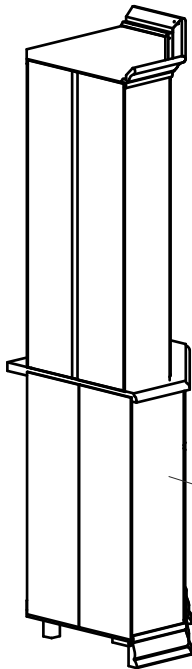
5



6



S320-NADN1W



S320-KOMN1D1S

