

# RYOBI®

RBC31SESO  
RBC31SBO

ORIGINAL INSTRUCTIONS  
TRADUCTION DES INSTRUCTIONS ORIGINALES  
ÜBERSETZUNG DER ORIGINALANLEITUNG  
TRADUCCIÓN DE LAS INSTRUCCIONES ORIGINALES  
TRADUZIONE DELLE ISTRUZIONI ORIGINALI  
VERTALING VAN DE ORIGINELE INSTRUCTIES  
TRADUÇÃO DAS INSTRUÇÕES ORIGINAIS  
OVERSÆTTELSE AF DE ORIGINALE INSTRUKTIONER  
ÖVERSÄTTNING AV DE URSPRUNGLIGA INSTRUKTIONERNA  
ALKUPERÄISTEN OHJEIDEN SUOMENOS  
OVERSETTELSE AV DE ORIGINALE INSTRUKSJONENE  
ПЕРЕВОД ОРИГИНАЛЬНЫХ ИНСТРУКЦИЙ  
TŁUMACZENIE INSTRUKCJI ORYGINALNEJ  
PŘEKLAD ORIGINÁLNÍCH POKYNŮ  
AZ EREDETI ÚTMUTATÓ FORDÍTÁSA  
TRADUCEREA INSTRUCȚIUNILOR ORIGINALE  
TULKOTS NO ORIGINĀLĀS INSTRUKCIJAS  
ORIGINALIŲ INSTRUKCIJŲ VERTIMAS  
ORIGINAALJUHENDI TOLGE  
PRIJEVOD ORIGINALNIH UPUTA  
PREVOD ORIGINALNIH NAVODIL  
PREKLAD ORIGINÁLNYCH POKYNOV  
ПРЕВОД ОТ ОРИГИНАЛНИТЕ ИНСТРУКЦИИ  
ПЕРЕКЛАД ОРИГИНАЛЬНИХ ИНСТРУКЦІЙ  
ORIJINAL TALIMATLAR

EN  
FR  
DE  
ES  
IT  
NL  
PT  
DA  
SV  
FI  
NO  
RU  
PL  
CS  
HU  
RO  
LV  
LT  
ET  
HR  
SL  
SK  
BG  
UK  
TR



<b>Important!</b>	It is essential that you read the instructions in this manual before assembling, maintaining and operating the product.
<b>Attention!</b>	Il est essentiel que vous lisiez les instructions contenues dans ce manuel avant d'assembler, d'entretenir et d'utiliser le produit.
<b>Achtung!</b>	Es ist wichtig, dass Sie vor Zusammenbau, Wartung und Benutzung des Produktes die Anweisungen in dieser Anleitung lesen.
<b>¡Atención!</b>	Resulta fundamental que lea este manual de instrucciones antes de realizar el montaje, el mantenimiento y de utilizar este producto
<b>Attenzione!</b>	E' importante leggere le istruzioni contenute nel presente manuale prima di montare il prodotto, svolgere le operazioni di manutenzione sullo stesso e metterlo in funzione.
<b>Let op!</b>	Het is van essentieel belang dat u de instructies in deze gebruiksaanwijzing leest voor u het product monteert, onderhoudt en gebruikt.
<b>Atenção!</b>	É fundamental que leia as instruções deste manual antes da montagem, manutenção e operação do aparelho.
<b>OBS!</b>	Det er vigtigt, at man læser instrukserne i denne brugsanvisning, inden man samler, vedligeholder og betjener produktet.
<b>Observera!</b>	Det är viktigt att du läser instruktionerna i manualen före montering, användning och underhåll av produkten.
<b>Huomio!</b>	On tärkeää, että luet tämän käsikirjan ohjeet ennen tuotteen kokoamista, huoltoa ja käyttöä.
<b>Advarsel!</b>	Det er viktig at du leser instruksjonene i denne manualen før sammensetning, vedlikehold og bruk av produktet
<b>Внимание!</b>	Необходимо прочитать инструкции в данном руководстве перед сборкой, обслуживанием и эксплуатацией этого изделия.
<b>Uwaga!</b>	Koniecznien należy przeczytać instrukcje zawarte w tym podręczniku przed montażem, obsługą oraz konserwacją produktu.
<b>Důležitost upozornění!</b>	Neinstalujte, neprovádějte údržbu ani nepoužívejte tento výrobek dříve, než si přečtete pokyny uvedené v tomto návodu.
<b>Figyelem!</b>	Fontos, hogy a termék összeszerelése, karbantartása és használatá előtt elolvassa a kézikönyvben található utasításokat.
<b>Atenție!</b>	Este esențial să citiți instrucțiunile din acest manual înainte de asamblare, efectuarea întreținerii și operarea produsului.
<b>Uzmanību!</b>	Ir svarīgi izlasīt šīs rokasgrāmatas instrukcijas pirms uzstādīšanas, apkopes un precas darbināšanas.
<b>Dėmesio!</b>	Prieš surenkant, prižiūrint ir naudojant gaminį, būtina perskaityti šiame vadove pateiktus nurodymus.
<b>Tāhtis!</b>	Enne masina kokkupanekut, hooldamist ja kasutama hakkamist tuleb käesolevas juhendis esitatud juhised kindlasti läbi lugeda.
<b>Upozorenje!</b>	Vrlo je važno da ste prije sklapanja, održavanja i rada s ovim proizvodom pročitali upute u ovom priručniku.
<b>Pomembno!</b>	Pomembno je da pred montažo vzdrževanjem in uporabo tega izdelka preberete navodila v tem priručniku.
<b>Upozornenie!</b>	Je dôležité, aby ste si pred montážou, údržbou a obsluhou produktu prečítali pokyny v tomto návode.
<b>Важно!</b>	Исключительно важно е да прочетете инструкциите в настоящото ръководство, преди да преминете към сглобяване, поддръжка или работа с продукта.
<b>Важливо!</b>	Дуже важливо, щоб ви прочитали інструкції в цьому керівництві перед складанням, обслуговуванням та експлуатацією цієї машини.
<b>Önemli!</b>	Ürünü monte etmeden, kullanmadan ve bakımları yapmadan önce bu kılavuzdaki talimatları okumanız önemlidir.

Subject to technical modification | Sous réserve de modifications techniques | Technische Änderungen vorbehalten | Bajo reserva de modificaciones técnicas | Con riserva di eventuali modifiche tecniche | Technische wijzigingen voorbehouden | Com reserva de modificações técnicas | Med forbehold for tekniske ændringer | Med förbehåll för tekniska ändringar | Tekniset muutokset varataan | Med forbehold om tekniske ændringer | могут быть внесены технические изменения | Z zastrzeżeniem modyfikacji technicznych | Změny technických údajů vyhrazeny | A műszaki módosítás jogát fenntartjuk | Sub rezerva modificățiilor tehnice | Paturam tiesības mainīt tehniskos raksturlielumus | Pasiliekan teisę daryti techninius pakeitimus | Tehnilised muudatused võimalikud | Podloženo tehničkim promjenama | Tehnične spremembe dopuščene | Právo na technické zmeny je vyhradené | Подлежи на технически модификации | Є об'єктом для технічних змін | Teknik değişikliğe tabidir.

Safety, performance, and dependability have been given top priority in the design of your brushcutter/grass trimmer.

### INTENDED USE

The brushcutter/grass trimmer is intended to be used only by adults who have read and understood the instructions and warnings in this manual and can be considered responsible for their actions. The product is only intended for use outdoors in a well ventilated area. For safety reasons, the product must be adequately controlled by using two-handed operation.

The product fitted with the grass trimmer head (and appropriate guard) is intended for cutting long grass, pulpy weed, and similar vegetation at or about ground level. When fitted with the Tri-Arc™ blade (and appropriate guard), it can also cut bushes. The product is not designed to be fitted with a saw blade.

The cutting plane should be approximately parallel to the ground surface. The product should not be used to cut or trim hedges, bushes, or other vegetation where the cutting plane is not parallel to the ground surface.

Do not use the product for any other purpose.

### ⚠ WARNING

To reduce the risk of injury, the user must read and understand the operator's manual.

### ⚠ WARNING

Do not attempt to operate the product until you have read thoroughly and understood completely all instructions and safety rules contained in this manual. Failure to comply may result in accidents involving fire, electric shock, or serious personal injury. Save the operator's manual and review frequently for continuing safe operation, and instructing others who may use the product.

### ⚠ WARNING

The product is not intended to be used by children or persons with reduced physical, mental, or sensory capabilities. Children should be adequately supervised to ensure they do not play with the product.

### GENERAL SAFETY WARNINGS

- For safe operation, read and understand all instructions before using the product. Follow all safety instructions. Failure to follow all safety instructions listed below, can result in serious personal injury.
- Some regions have regulations that restrict the use of the product. Check with your local authority for advice.
- Do not allow children or untrained individuals to use the product.
- Never start or run the engine in a closed or poorly ventilated area; breathing exhaust fumes can kill.
- Clear the work area before each use. Remove all objects such as rocks, broken glass, nails, wire, or string, which can be thrown or become entangled in the

string head or blade.

- Wear full eye and hearing protection while using the product. If working in an area where there is a risk of falling objects, head protection must be worn.
- Hearing protection may restrict the operator's ability to hear warning sounds. Pay particular attention to potential hazards around and inside the working area.
- Wear heavy long trousers, non-slip protective footwear and gloves. Do not wear loose fitting clothing, short trousers, jewellery of any kind, or use with bare feet.
- Secure long hair so it is above shoulder level to prevent entanglement in any moving parts.
- Keep all bystanders, children, and pets at least 15 m away. Stop the product if anyone enters the area.
- Do not use the product when you are tired, ill, or under the influence of alcohol, drugs, or medication.
- Do not use in poor lighting. The operator needs clear unrestricted vision to identify potential hazards.
- Keep firm footing and balance at all times. Do not overreach. Overreaching can result in loss of balance or exposure to hot surfaces.
- Keep all parts of your body away from any moving part.
- Do not touch area around the silencer or cylinder of the product, these parts get hot from operation.
- Always stop the engine and allow it to cool down before making any adjustments.
- Do not smoke when mixing fuel or filling fuel tank.
- Mix and store fuel in a container approved for fuel.
- Mix fuel outdoors where there are no sparks or flames. Wipe up any fuel spillage. Move 9 m away from refueling site before starting engine.
- Stop the engine and allow to cool down before refueling or storing the product.
- Allow the engine to cool down; empty the fuel tank and secure the product from moving before transporting in a vehicle.
- Always stop the engine and make sure all moving parts have come to stop before:
  - servicing
  - leaving the product unattended
  - cleaning your product
  - changing accessories
  - clearing blockages
  - checking for any damage after hitting an object
  - checking for any damage if the product starts to vibrate abnormally
  - performing maintenance
  - removing blade
  - installing blade

### ⚠ WARNING

Never use cutting means or attachments, which are not specified by Ryobi in this manual. This includes the use of metal multi-piece pivoting chains and flail-blades. These items are known to break up during use and present a high risk of serious injury to the operator or bystanders.

EN

FR

DE

ES

IT

NL

PT

DA

SV

FI

NO

RU

PL

CS

HU

RO

LV

LT

ET

HR

SK

SL

BG

UK

TR

### WARNING

Inspection after dropping or other impacts: Thoroughly inspect the product and identify any problems or damage to it. Any part that is damaged should be properly repaired or replaced by an authorised service centre.

### GRASS TRIMMER SAFETY WARNINGS

- Replace the string head if cracked, chipped, or damaged in any way. Be sure the string head is properly installed and securely fastened. Failure to do so can cause serious injury.
- Avoid using on wet grass.
- Do not walk backwards when using the product.
- Walk, never run.
- The small blade fitted to the cutting attachment guard is designed to trim the new extended line to the correct length for safe and optimum performance. It is very sharp; do not touch it, particularly when cleaning the product.
- Always ensure that ventilation openings are kept clear of debris.
- Before use and after any impact, check that there are no damaged parts. Examine the cutting means for signs of cracking or other damage. A defective switch or any part that is damaged should be properly repaired or replaced by an authorised service facility.
- Make sure the head attachment is properly installed and securely fastened.
- Make sure all guards, deflectors, handles, bolts, and fasteners are properly and securely attached.
- Do not modify the product in any way. This may increase the risk of injury to yourself or others.
- Use only the manufacturer's replacement line in the cutting head. Do not use any other cutting attachment.
- Never use the product without the cutting attachment guard in place and in good condition.
- Maintain a firm grip on both handles while trimming. Keep string head below waist level. Never cut with the string head located over 76 cm or more above the ground.

### BRUSHCUTTER SAFETY WARNINGS

- In addition to the above rules, these additional instructions are appropriate when using the product in brushcutter mode.
- Use heavy-duty gloves while installing or removing the blades, they have sharp edges.
- Do not attempt to touch or stop the blade when it is rotating.
- A moving blade can cause severe injury. Maintain proper control of the product with both hands until the blade has completely stopped rotating.
- Replace any blade that has been damaged. Always make sure the blade is installed correctly and securely fastened before each use.
- Use only the manufacturer's replacement Tri-Arc™ blade. Do not use any other cutting attachment.

- Never cut any material over 13 mm diameter.
- Your brushcutter is fitted with a harness. Carefully adjust the harness to fit comfortably and help to support the weight of the product at your right side.
- Identify the quick release mechanism and practice using it before you start using the product. Its correct use may prevent serious injury in case of an emergency. Never wear additional clothing over the harness or otherwise restrict access to the quick release mechanism.
- Cover the blade with the blade protector before storing the product, or during transportation. Always remove the blade protector before using the product. If not removed, the blade protector could become a thrown object as the blade begins to turn.
- Exercise extreme caution when using the blade with the product. Blade thrust is the reaction that may occur when the spinning blade contacts anything it cannot cut. This contact may cause the blade to stop for an instant, and suddenly "thrust" the product away from the object that was hit. This reaction can be violent enough to cause the operator to lose control of the product. Blade thrust may occur without warning if the blade snags, stalls, or binds. This is more likely to occur in areas where it is difficult to see the material being cut.
- For cutting ease and safety, approach the weeds being cut from the right to the left. In the event an unexpected object or woody stock is encountered, this practice could minimise the blade thrust reaction. Both hands must be used at all times to control the product.

### ASSEMBLY

#### UNPACKING

See page 181-182.

The product requires assembly.

- Carefully remove the tool and any accessories from the box. Make sure that all items listed are included.
- Inspect the tool carefully to make sure no breakage or damage occurred during shipping.

### WARNING

If any parts are damaged or missing, do not operate the product until the parts are replaced. Failure to heed this warning could result in serious personal injury.

#### ADJUSTING THE STRAP HANGER

See page 185/189.

Adjust the strap hanger to a comfortable and balanced position where the blade or cutter attachment will suspend between 100 mm and 300 mm above the ground surface.

#### USING THE HARNESS

See page 185/189.

**NOTE:** Always use the harness with the product.

**NOTE:** To quickly release the product from the harness, sharply pull the quick-release tab.

## USING THE REELEASY™ GRASS TRIMMER HEAD AND TRI-ARC™ BLADE

- When using the ReelEasy™ grass trimmer head, the grass deflector must be attached to the blade guard. (See page 203).
- When using the Tri-Arc™ blade, the grass deflector must be removed from the blade guard (See page 202).

### ⚠ WARNING

Always remove the pin for locking the gear shaft before starting the engine (see page 185, step 4).

## OPERATION

### FUELING AND REFUELING

See page 184.

- Always handle fuel with care, it is highly flammable.
- The product is powered by a 2-stroke engine and requires pre-mixing petrol and 2-stroke lubricant. Premix unleaded petrol and 2-stroke engine lubricant in a clean container approved for petrol.
- This engine is certified to operate on unleaded petrol intended for automotive use with an octane rating of 91 ((R + M) / 2) or higher.
- Do not use any type of pre-mixed petrol / lubricant from fuel service stations.
- Use synthetic 2-stroke lubricant only. Do not use automotive lubricant or 2-stroke outboard lubricant.
- Mix 2% synthetic 2-stroke lubricant into the petrol. This is a 50:1 ratio.
- Mix the fuel thoroughly and also each time before fueling.
- Mix in small quantities. Do not mix quantities larger than usable in a 30 day period. A synthetic 2-stroke lubricant containing a fuel stabilizer is recommended.

### FILLING THE TANK

- Clean surface around fuel cap to prevent contamination.
- Loosen fuel cap slowly to release pressure and to keep fuel from escaping around the cap.
- Carefully pour fuel mixture into the tank. Avoid spillage.
- Prior to replacing the fuel cap, clean and inspect the gasket.
- Immediately replace fuel cap and hand tighten. Wipe up any fuel spillage. Move 9 m away from refueling site before starting engine.

### STARTING THE ENGINE USING AN ELECTRICAL STARTER (OPTIONAL):

See page 196 to 201.

### ⚠ WARNING

Only use the Ryobi OES18 electrical starter. Use of any other starter may damage the engine and cause serious personal injury.

### ⚠ WARNING

Before using the electrical starter to start the product, please read and understand completely the operation manual of the OES18 electrical starter to avoid improper operation and serious personal injury.

- Hold the insulated shaft with your left hand and use your right hand to put the starter bit shaft to the shaft hole on the engine, otherwise the engine will not turn.
- Make sure the starter bit is properly engaged.

**NOTE:** The electrical starter is equipped with a safety interlock. Do not press and hold on the switch button when putting the electrical starter shaft into the shaft hole on the engine. Also, the starter will not turn if the electrical starter is not properly engaged.

### OPERATING THE GRASS TRIMMER

See page 189.

**RBC31SESO:** Hold the product with the right hand on the rear handle and the left hand on the front handle.

**RBC31SBO:** Hold the product with the right hand on the trigger handle and the left hand on the left handle.

- Keep a firm grip with both hands while in operation.
- The product should be held at a comfortable position with the trigger handle about hip height.
- Always operate the product at full throttle. Prolonged cutting at partial throttle will result in lubricant dripping from the silencer.
- Cut tall grass from the top down to prevent grass from wrapping around the shaft housing and string head, which may cause damage from overheating.
- If grass or debris becomes wrapped around the cutting means, stop the engine. Wear heavy-duty gloves to prevent injury from the sharp blades and carefully remove the debris.
- Do not push into the grass to be cut. Move from side to side. Move forward a little at the end of each sweep.
- Keep the product tilted towards the area being cut.
- Do not use in dangerous environments.
- Use the tip of the string to do the cutting; do not force the string head into the uncut grass.
- Wire and picket fences cause extra string wear, even breakage. Stone and brick walls, kerbs and wood may wear string rapidly.
- Avoid trees and shrubs. Tree bark, wood mouldings, cladding and fence posts can be easily damaged by the string.

### OPERATING THE BRUSHCUTTER

See page 192.

To help reduce the risk of kickback: Do not push into the material to be cut. Move from right to left in steady sweeps. Move forward a little at the beginning of each new sweep.

**RBC31SESO:** Hold the product with the right hand on the rear handle and the left hand on the front handle.

**RBC31SBO:** Hold the product with the right hand on the trigger handle and the left hand on the left handle.

EN

FR

DE

ES

IT

NL

PT

DA

SV

FI

NO

RU

PL

CS

HU

RO

LV

LT

ET

HR

SL

SK

BG

UK

TR

- The product should be held at a comfortable position with the trigger handle about hip height.
- Maintain your grip and balance on both feet. Position yourself so that you will not be drawn off balance by the kickback reaction of the cutting blade.
- Adjust the strap hanger to a comfortable position.
- Exercise extreme caution when using the blade with the product. Blade thrust is the reaction that may occur when the spinning blade contacts anything it cannot cut. This contact may cause the blade to stop for an instant, and suddenly "thrust" the product away from the object that was hit. This reaction can be violent enough to cause the operator to lose control of the product. Blade thrust may occur without warning if the blade snags, stalls, or binds. This is more likely to occur in areas where it is difficult to see the material being cut. For cutting ease and safety, approach the weeds being cut from the right to the left. In the event an unexpected object or woody stock is encountered, this could minimize the blade thrust reaction.

### TRANSPORTATION AND STORAGE

- Stop the engine and allow it to cool down before storing or transporting.
- Clean all foreign materials from the product.
- If a cutting blade is fitted, cover it with the blade protector.
- Drain all fuel from tank into a container approved for petrol. Remember to properly replace and tighten the fuel cap.
- Run the engine until it stops, this will remove all fuel that could become stale and leave varnish and gum in the fuel system.
- Store the product in a cool, dry, and well-ventilated place that is inaccessible to children. Keep away from corrosive agents, such as garden chemicals and de-icing salts. Do not store outdoors.
- When transporting the product in a vehicle, secure it against movement or falling to prevent injury to persons or damage to the product.
- Never carry or transport the product while the engine is running.
- Abide all government and local regulations for the safety storage and handling of petrol. Excess fuel should be used in other 2-cycle engine powered equipment.

### SHORT TERM

- Stop the engine, and allow it to cool down before storing.
- Clean all foreign material from the product.
- Store the product in a cool, dry, and well-ventilated place that is inaccessible to children.
- Keep away from corrosive agents such as garden chemicals and de-icing salts.
- Do not store outdoors.

### MAINTENANCE

#### ⚠ WARNING

Use only original manufacturer's replacement parts, accessories, and attachments. Failure to do so can cause possible injury, poor performance, and may void your warranty.

#### ⚠ WARNING

The cutting attachment must not rotate in idle mode. If this requirement is not satisfied, the clutch has to be adjusted or the product needs an urgent maintenance by a qualified technician.

#### ⚠ WARNING

A leaking fuel cap is a fire hazard and must be replaced immediately.

#### ⚠ WARNING

Note that the blade nut is a nylon nut, which is to be used for one time assembly only. Do not reuse the nylon nut. When installing/reinstalling, use a new nylon nut. Failure to follow this procedure can result in serious injury.

#### ⚠ WARNING

Make sure that the nut torque is  $\geq 25\text{Nm}$  when assembling the blade. Failure to follow this procedure can result in serious injury. (See page 202, step 4)

- Always stop the engine and allow it to cool down before making any maintenance.
- You may make adjustments and repairs described in this manual. For other repairs, have the product serviced by an authorised service centre.
- Consequences of improper maintenance may include excess carbon deposits resulting in loss of performance and discharge of black lubricant residue dripping from the muffler.
- For replacement line, use only nylon filament line of the diameter described in the specification table of this manual.
- After extending the new cutter line, always return the product to its normal operation position before starting. After each use, clean the product with a soft dry cloth.
- Make sure all guards, straps, deflectors and handles are properly and securely attached to avoid the risk of personal injury.

### MAINTENANCE SCHEDULE

Check if fastener is fully tightened	Before each use
Check: Cutting attachment must not rotate in idle mode ?	Before each use
Check fuel hose	Before each use

Check all hose connections	Before each use
Clean fuel tank and filter <sup>1</sup>	Every 3 months or 50 hours of operation
Replace fuel filter <sup>1</sup>	Every year or after 300 hours or operation
Check fuel cap or fuel tank vapor vent (if equipped) for leakage	Before each use
Clean air filter	Every 25 hours
Change air filter	Every year or after 300 hours or operation
Clean or adjust spark plug	Every 6 months or 100 hours of operation
Replace spark plug	Every year or after 300 hours or operation
Clean spark arrestor	Every 25 hours
Replace spark arrestor	Every year or after 300 hours or operation
Clean the exhaust port and silencer	Every 25 hours

<sup>1</sup> These items should only be carried out by an authorised service centre.

<sup>2</sup> If this requirement is not met, contact an authorised service centre for repair or adjustment.

### RESIDUAL RISKS

Even when the product is used as prescribed, it is still impossible to completely eliminate certain residual risk factors. The following hazards may arise in use and the operator should pay special attention to avoid the following:

- Contact with cutting means
  - Ensure that the blade protectors are fitted when the product is not in use. Keep hands and feet away from the blades at all times.
- Injury caused by vibration
  - Always use the right tool for the job, use designated handles, and restrict working time and exposure.
- Hearing injury caused by exposure to noise
  - Wear hearing protection and limit exposure.
- Eye injury caused by flying debris
  - Wear eye protection at all times.
- Risk of falling objects
  - Wear head protection if there is any risk of falling objects.

Kickback can occur when using the brushcutter. Ensure proper control by using both hands on the designated handles. Read and follow the directions elsewhere in this manual to help reduce the risk of kickback.

### RISK REDUCTION

It has been reported that vibrations from handheld tools may contribute to a condition called Raynaud's Syndrome. Symptoms may include tingling, numbness and blanching of the fingers, usually apparent upon exposure to cold.

Hereditary factors, exposure to cold and dampness, diet, smoking and work practices are all thought to contribute to the development of these symptoms. There are measures that can be taken by the operator to possibly reduce the effects of vibration:

- Keep your body warm in cold weather. When operating the product, wear gloves to keep the hands and wrists warm. It is reported that cold weather is a major factor contributing to Reynaud's Syndrome.
- After each period of operation, exercise to increase blood circulation.
- Ensure that the product is correctly located in a designated working position before operating the product.
- Limit the amount of exposure per day. Take frequent work breaks.

If you experience any of the symptoms of this condition, immediately discontinue use and see your physician.

### ⚠ WARNING

Injuries may be caused, or aggravated, by prolonged use of a tool. When using any tool for prolonged periods, ensure you take regular breaks.

### KNOW YOUR PRODUCT

1. Starter grip
2. Fuel cap
3. Bike handle (RBC31SBO)
4. Drive shaft (RBC31SBO)
5. Blade guard
6. Grass deflector
7. Nylon nut
8. Blade washer
9. Cupped washer
10. Blade protector
11. Tri-Arc™ blade
12. Upper string head housing
13. Spool
14. Bump knob
15. Lower string head housing
16. Cutting line
17. Throttle interlock (RBC31SBO)
18. Throttle trigger (RBC31SBO)
19. Ignition switch
20. Throttle lock (RBC31SBO)
21. Strap hanger
22. Lower shaft (RBC31SESO)
23. Knob (RBC31SESO)
24. Upper shaft (RBC31SESO)
25. Front handle (RBC31SESO)
26. Throttle trigger (RBC31SESO)
27. Throttle lock (RBC31SESO)

### SYMBOLS ON THE PRODUCT



Safety alert



Read and understand all instructions before operating the product, follow all warnings and safety instructions.



Wear eye, ear, and head protection.



Wear non-slip safety footwear when using the product.



Wear non-slip, heavy-duty gloves.



Beware of thrown or flying objects. Keep all bystanders, especially children and pets, at least 15 m away from the operating area.



This product is not intended for use with a toothed saw type blade.



To reduce the risk of injury or damage, avoid contact with any hot surface.



Keep hands away from blades



Guaranteed sound power level



Run position



Set the choke lever to "Full" position.



Set the choke lever to "Half" position.



Waiting time: 10 seconds



PRIME - press the primer bulb 10 times slowly.



Pull the starter rope



Squeeze throttle trigger to start / run.



Lock the throttle in position by depressing the throttle interlock button.



Use unleaded petrol intended for motor vehicle use with an octane rating of 91([R+M]/2) or higher.



Use 2-stroke lubricant for air cooled engines.



Mix the fuel mix thoroughly and also each time before refueling.



Starting a cold engine by hand



Starting a warm engine by hand



Starting a cold engine by electrical starter



Starting a warm engine by electrical starter



Straight shaft symbol: When fitting the line spool to the cutting means, this symbol should be visible to the operator.



Tri-Arc™ blade is appropriate for the product and is suited for cutting pulpy weeds and vines.



Beware of blade thrust



Rotational direction and maximum speed of the shaft for the cutting attachment.



Pull: Quick release tab



Conforms to all regulatory standards in the country in the EU where the product is purchased.



EurAsian Conformity Mark



Ukrainian mark of conformity

The following signal words and meanings are intended to explain the levels of risk associated with this product.

**⚠ DANGER**

Indicates an imminently hazardous situation, which, if not avoided, will result in death or serious injury.

**⚠ WARNING**

Indicates a potentially hazardous situation, which, if not avoided, could result in death or serious injury.

**⚠ CAUTION**

Indicates a potentially hazardous situation, which, if not avoided, may result in minor or moderate injury.

**CAUTION**

Without safety alert symbol

Indicates a situation that may result in property damage.



## SYMBOLS IN THIS MANUAL



Note



Warning

EN

FR

DE

ES

IT

NL

PT

DA

SV

FI

NO

RU

PL

CS

HU

RO

LV

LT

ET

HR

SL

SK

BG

UK

TR

La plus grande priorité a été donnée à la sécurité, aux performances et à la fiabilité de votre coupe-bordures / débroussaileuse lors de sa conception.

### UTILISATION PRÉVUE

La coupe-bordures/débroussaileuse doit être utilisée seulement par des adultes ayant lu et compris les instructions et les avertissements inclus dans le présent manuel et pouvant être considérés comme responsables de leurs actes. Ce produit ne doit être utilisé qu'à l'extérieur dans une zone bien ventilée. Pour des raisons de sécurité, l'appareil doit être manipulé de manière appropriée, en utilisant les deux mains.

Ce produit équipé d'une tête de coupe à fil (et des protections appropriées) est conçu pour couper les herbes hautes, les mauvaises herbes épaisses et les végétaux similaires au niveau du sol, ou à proximité. Lorsqu'il est équipé du disque Tri-Arc™ (et du pare-débris approprié), il peut également couper des buissons. Ce produit n'est pas conçu pour être équipé d'un disque de sciage.

Le plan de coupe doit être à peu près parallèle à la surface du sol. Cet appareil ne doit pas être utilisé pour la coupe ou la taille des haies, buissons ou autres végétaux pour lesquels le plan de coupe n'est pas parallèle à la surface du sol.

Ne l'utilisez pour aucun autre travail.

#### ⚠ AVERTISSEMENT

Pour réduire les risques de blessures, l'utilisateur doit lire et comprendre le mode d'emploi.

#### ⚠ AVERTISSEMENT

Ne tentez pas de faire fonctionner le produit avant d'avoir lu et compris complètement les instructions et règles de sécurité contenues dans ce manuel. Le non respect de cet avertissement pourrait entraîner des accidents tels que décharge électrique, incendie et/ou graves blessures. Conservez ce manuel d'utilisation et reportez-vous-y régulièrement pour travailler en toute sécurité et informer d'autres utilisateurs éventuels.

#### ⚠ AVERTISSEMENT

Ce produit ne doit pas être utilisé par des enfants ou par des personnes aux capacités physiques, sensorielles ou mentales diminuées. Les enfants doivent être bien surveillés afin de s'assurer qu'ils ne jouent pas avec le produit.

### AVERTISSEMENTS GÉNÉRAUX DE SÉCURITÉ

- Pour travailler en toute sécurité, lisez et comprenez toutes les instructions avant d'utiliser le produit. Suivez toutes les instructions de sécurité. Le non-respect de l'une des consignes peut entraîner des blessures corporelles graves.
- La législation de certaines régions restreint l'utilisation du produit. Contactez les autorités locales pour obtenir des conseils.
- Ne laissez pas des enfants ou des personnes

inexpérimentées utiliser ce produit.

- Ne jamais démarrer ou faire tourner le moteur en un lieu fermé ou mal ventilé; l'inhalation de gaz d'échappement pouvant être mortelle.
- Dégagez la zone de travail avant chaque utilisation. Retirez tous les objets, comme des cailloux, des débris de verre, des clous, des fils ou de la ficelle, qui ont pu être jetés ou être enchevêtrés à la tête à fil ou à la lame.
- Portez une protection auditive et oculaire totale lorsque vous utilisez ce produit. Si vous travaillez dans une zone qui comporte des risques de chute d'objets, portez un casque de chantier.
- Le port d'une protection auditive est susceptible de diminuer la capacité de l'opérateur à entendre les sons d'alerte. Faites particulièrement attention aux dangers éventuels dans la zone de travail et à ses alentours.
- Portez des pantalons longs, des chaussures antidérapantes et des gants. Ne portez pas de vêtements amples, de shorts ou de bijoux quels qu'ils soient, et ne travaillez pas pieds nus.
- Si vous avez les cheveux longs, attachez-les au-dessus du niveau des épaules afin d'éviter qu'ils ne se prennent dans les parties en mouvement.
- Gardez tous les enfants, visiteurs et animaux éloignés à au moins 15 m de distance. Arrêtez le produit si quelqu'un pénètre dans la zone de travail.
- N'utilisez pas ce produit lorsque vous êtes fatigué, malade, ou sous l'influence de l'alcool, de drogues ou de médicaments.
- N'utilisez pas cet outil dans une zone mal éclairée. L'opérateur a besoin d'une visibilité claire et absolue de façon à identifier les dangers éventuels.
- Garder une position et un équilibre adaptés à tout moment. Ne pas se précipiter. Le travail en extension peut entraîner une perte d'équilibre et l'entrée en contact avec des surfaces chaudes.
- Maintenez toutes les parties de votre corps éloignées des parties en mouvement.
- Ne touchez pas la zone autour du silencieux ou du cylindre du produit, ces pièces deviennent brûlantes lors du fonctionnement.
- Coupez toujours le moteur avant d'effectuer un réglage et le laisser refroidir.
- Ne fumez pas lorsque vous mélangez du carburant ou lorsque vous faites le plein.
- Mélangez et stockez le carburant dans un bidon autorisé à contenir de l'essence.
- Mélangez le carburant à l'air libre, loin de toute étincelle ou flamme. Essuyez le carburant répandu. Éloignez-vous de 9 m de la zone de ravitaillement avant de démarrer le moteur.
- Arrêtez le moteur et laissez le produit refroidir avant de le recharger.
- Laissez le moteur refroidir; vidangez le réservoir d'essence et arrimez l'appareil avant de le transporter dans un véhicule.
- Arrêtez toujours le moteur et assurez-vous que tous les éléments en mouvement se sont bien arrêtés avant:
  - réparations

- laisser le produit sans surveillance
- Nettoyer votre produit
- changer un accessoire
- de retirer les blocages
- vérifier tout dommage éventuel après avoir heurté un objet
- vérifier tout dommage éventuel au cas où le produit se mettrait à vibrer de façon anormale
- opérations d'entretien
- retirer la lame
- installer de la lame

#### **⚠ AVERTISSEMENT**

N'utilisez jamais d'outils ou d'accessoires de coupe qui ne sont pas spécifiés par Ryobi dans ce manuel. Cela comprend l'utilisation de chaînes et lames-fléaux métalliques pivotantes, multi-pièces. On sait que ces éléments peuvent se casser lors de l'utilisation et présenter un risque élevé de blessure grave pour l'utilisateur ou les personnes se tenant à proximité.

#### **⚠ AVERTISSEMENT**

Vérification après une chute ou autres chocs  
Vérifiez minutieusement l'appareil et repérez tout dommage éventuel. Toute pièce endommagée doit être correctement remplacée ou réparée par un service après-vente agréé.

#### **AVERTISSEMENTS DE SÉCURITÉ COUPE- BORDURES**

- Remplacez la tête de coupe si elle est fêlée, ébréchée, ou endommagée de quelque façon que ce soit. Assurez-vous que la tête de coupe est en place et correctement fixée. Le non-respect de cette précaution peut entraîner de graves blessures.
- Évitez d'utiliser l'appareil sur de l'herbe mouillée.
- Ne reculez pas lors de l'utilisation du produit.
- Marchez, ne courez jamais.
- La petite lame montée sur le pare-débris est conçue pour couper à la bonne longueur le fil qui vient de s'allonger, pour des performances sûres et optimales. Elle est très coupante : veillez à ne pas la toucher, en particulier lorsque vous nettoyez l'outil.
- Assurez-vous que les ouïes de ventilation sont en permanence exemptes de débris.
- Avant utilisation et après tout impact, vérifiez qu'aucun élément n'est endommagé. Examinez les éléments de coupe pour vérifier l'absence de craquelure et autres dommages. Un interrupteur défectueux ou toute autre pièce endommagée doit être correctement remplacée ou réparée par un service après-vente agréé.
- Assurez-vous que l'accessoire de coupe est bien en place et bien serré.
- S'assurer que toutes les protections, les déflecteurs, les poignées, les boulons et les fixations sont correctement fixés.

- Ne modifiez pas le produit de quelque manière que ce soit. Sous peine d'augmenter les risques de blessures infligées à vous-même et aux autres.
- Utilisez uniquement le fil de remplacement du fabricant dans la tête de coupe. N'utilisez aucun autre accessoire de coupe.
- N'utilisez jamais l'appareil si le pare-débris n'est pas en place, et en bon état.
- Bien maintenir les deux poignées pendant la coupe. Garder la tête à fil au-dessus du niveau de la taille. Ne coupez jamais avec la tête de coupe à moins de 76 cm du sol.

#### **AVERTISSEMENTS DE LA DÉBROUSSAILLEUSE**

- En plus des consignes ci-dessus, ces instructions supplémentaires doivent être suivies lorsque l'appareil est utilisé en mode débroussailluse.
- Utilisez des gants résistants lors de l'installation et du retrait des disques : leurs arêtes sont tranchantes.
- N'essayez pas de toucher ou d'arrêter la lame en mouvement.
- Un disque en mouvement peut entraîner des blessures graves. Maintenez l'appareil fermement sous contrôle, avec vos deux mains, jusqu'à ce que le disque se soit totalement arrêté de tourner.
- Remplacez toute lame endommagée. Vérifiez toujours que la lame est bien en place et bien serrée avant chaque utilisation.
- N'utilisez que des lames de remplacement Tri-Arc™ d'origine constructeur. N'utilisez aucun autre accessoire de coupe.
- Ne jamais découper la matière sur plus de 13 mm de diamètre.
- Votre débroussailluse est équipée d'un harnais. Régler prudemment le harnais pour soutenir confortablement le poids du produit sur le côté droit.
- Repérez le mécanisme de libération rapide et entraînez-vous à sa manipulation avant de commencer à utiliser la machine. Son utilisation correcte peut empêcher de graves blessures en cas d'urgence. Ne portez jamais aucun vêtement supplémentaire par dessus le harnais qui serait susceptible de gêner le fonctionnement du mécanisme de libération rapide.
- Recouvrez la lame avec sa protection avant de ranger l'appareil, ou au cours de son transport. Retirez toujours le fourreau de protection avant d'utiliser l'appareil. Si vous ne le retirez pas, le carter de protection de la lame il peut se transformer en projectile lors de la mise en rotation de la lame.
- Soyez particulièrement attentif lorsque vous utilisez la lame avec le produit. Le rebond de la lame est la réaction qui peut se produire lorsque la lame en rotation entre en contact avec un élément qu'elle ne peut pas couper. Ce contact peut entraîner un brusque arrêt provisoire de la lame, et "projeter" soudainement l'appareil en direction inverse de l'élément heurté. Cette réaction peut être assez violente pour que l'utilisateur perde le contrôle de l'appareil. Une projection de la lame survenir sans prévenir si elle s'accroche, se bloque ou se coince. Ceci est surtout susceptible de

EN  
FR  
DE  
ES  
IT  
NL  
PT  
DA  
SV  
FI  
NO  
RU  
PL  
CS  
HU  
RO  
LV  
LT  
ET  
HR  
SL  
SK  
BG  
UK  
TR

se produire dans des zones où il est difficile de voir les éléments en cours de coupe.

- Pour une coupe plus sûre et plus facile, attaquez les herbes à couper de la droite vers la gauche. En cas de contact inattendu avec un objet ou une souche, la réaction de rebond en sera minimisée. Utilisez toujours vos deux mains pour contrôler ce produit.

## MONTAGE

### DÉBALLAGE

Voir page 181-182.

Cet appareil doit être assemblé.

- Retirez avec précaution l'outil et tous les accessoires du carton d'emballage. Assurez-vous que tous les éléments listés sont bien présents.
- Inspectez votre outil avec attention pour vous assurer que rien n'a été cassé ou endommagé au cours du transport.

### ⚠ AVERTISSEMENT

Si une quelconque pièce ou partie de cette tondeuse est manquante ou endommagée, ne l'utilisez pas avant d'avoir changé la pièce. Le non-respect de cet avertissement pourrait entraîner de graves blessures.

### RÉGLAGE DU DISPOSITIF D'ACCROCHAGE

Voir page 185/189.

Réglez le dispositif d'accrochage sur une position confortable et équilibrée où la lame ou la fixation du dispositif de coupe est suspendue entre 100 mm et 300 mm au-dessus du sol.

### UTILISATION DU HARNAIS

Voir page 185/189.

**REMARQUE:** N'utilisez jamais l'appareil sans le harnais.

**REMARQUE:** Pour libérer rapidement l'appareil du harnais, tirez sèchement sur la patte de libération rapide.

### UTILISATION DE LA TÊTE DU COUPE-BORDURES REELEASY™ ET DE LA LAME TRI-ARC™

- Lors de l'utilisation de la tête du coupe-bordures ReelEasy™, le déflecteur à herbe doit être attaché à la protection de la lame (Voir page 203).
- Lorsque vous utilisez la lame Tri-Arc™, le déflecteur d'herbe doit être retiré du protège-lame (Voir page 202).

### ⚠ AVERTISSEMENT

Retirez toujours la goupille de verrouillage de l'arbre de transmission avant de démarrer le moteur (Voir page 185, étape 4).

## UTILISATION

### CARBURANT ET REMPLISSAGE DU RÉSERVOIR

Voir page 184.

- Manipulez toujours l'essence avec précaution, elle est hautement inflammable.

- Votre outil fonctionne avec un moteur à 2 temps nécessitant un mélange d'essence et d'huile 2 temps. Mélangez de l'essence sans plomb et de l'huile 2 temps dans un récipient propre homologué pour contenir de l'essence.
- Le moteur fonctionne avec de l'essence sans plomb pour véhicules avec un indice d'octane de 91 ( $(R + M) / 2$ ) ou plus.
- N'utilisez pas les mélanges essence / huile préparés dans les stations services.
- Utilisez une huile de synthèse 2 temps uniquement. N'utilisez pas d'huile pour voiture ou d'huile pour moteurs hors-bord.
- Mélangez 2% d'huile de synthèse pour moteur 2-temps dans l'essence. Soit un rapport de 50 : 1.
- Mélangez bien le carburant avant chaque remplissage.
- Mélangez du carburant en petites quantités. Ne préparez pas plus de l'équivalent d'un mois d'utilisation. Nous vous recommandons d'utiliser une huile de synthèse 2 temps contenant un stabilisateur de carburant.

### REMPLISSAGE DU RÉSERVOIR

- Nettoyez le réservoir autour du bouchon afin d'éviter toute contamination du carburant.
- Dévissez lentement le bouchon du réservoir afin de relâcher la pression et pour éviter que du carburant ne se répande autour du bouchon.
- Versez avec précaution le mélange de carburant dans le réservoir. En évitant d'en répandre.
- Avant de revisser le bouchon, nettoyez le joint et assurez-vous qu'il est en bon état.
- Remplacez immédiatement le bouchon du réservoir et serrez-le fermement. Essayez le carburant répandu. Eloignez-vous de 9 m de la zone de remplissage avant de démarrer le moteur.

### DÉMARRAGE DU MOTEUR À L'AIDE D'UN DÉMARREUR ÉLECTRIQUE (OPTIONNEL) :

Voir Fig. 196 - 201.

### ⚠ AVERTISSEMENT

Utilisez uniquement le démarreur électrique Ryobi OES18. L'utilisation de tout autre démarreur peut endommager le moteur et entraîner des blessures graves.

### ⚠ AVERTISSEMENT

Avant d'utiliser le démarreur électrique pour démarrer l'appareil, veuillez lire et comprendre la totalité du manuel d'utilisation du démarreur électrique OES18, afin d'éviter toute mauvaise utilisation et toute blessure grave.

- Maintenez l'arbre isolé avec votre main gauche et utilisez votre main droite pour placer l'embout de démarreur dans le trou de l'arbre sur le moteur. Sinon, le moteur ne se lance pas.

- Assurez-vous que l'embout de démarreur est correctement engagé.

**REMARQUE:** Le démarreur électrique est équipé d'un verrouillage de sécurité. Ne maintenez pas appuyé l'interrupteur lorsque vous mettez l'embout du démarreur électrique dans le trou de tige du moteur. Le démarreur ne tournera pas si le démarreur électrique n'est pas correctement engagé.

#### FAIRE FONCTIONNER LE COUPE-BORDURES

Voir page 189.

**RBC31SESO:** Tenez le produit avec la main droite sur la poignée arrière et la main gauche sur la poignée avant.

**RBC31SBO:** Tenez le produit avec votre main droite sur la poignée à gâchette et votre main gauche sur la poignée gauche.

- Maintenez fermement l'appareil des deux mains pendant son utilisation.
- Le produit-bordures doit être tenu à une position confortable avec la poignée à gâchette à peu près au niveau des hanches.
- Utilisez toujours le produit plein gaz. De l'huile suintera par l'échappement si vous travaillez de façon prolongée à mi-régime.
- Coupez les hautes herbes du haut vers le bas afin d'éviter l'herbe ne s'enroule autour du carter de l'arbre et autour de la tête de coupe, ce qui pourrait entraîner des dommages par surchauffe.
- Si de l'herbe ou des restes sont enroulés autour de l'outil de découpe, arrêtez le moteur. Porter des gants solides afin d'éviter les blessures en raison des lames affûtées et retirer prudemment les débris.
- N'avancez pas vers l'herbe à couper. Procédez par balancement d'un côté à l'autre. Avancez-vous légèrement à la fin de chaque mouvement.
- Gardez le produit incliné vers la zone en cours de coupe.
- Évitez les environnements à risques.
- Coupez à l'aide de l'extrémité du fil de coupe ; ne faites pas forcer la tête de coupe dans l'herbe non coupée.
- Les fils et piquets de clôtures accélèrent l'usure du fil, et vont jusqu'à le briser. Les murs en pierre et en brique, les margelles, ainsi que le bois peuvent accélérer l'usure du fil.
- Évitez les arbres et les arbustes. Les écorces, les moulures, les revêtements et les piquets de clôture peuvent facilement être endommagés par le fil de coupe.

#### UTILISATION DE LA DÉBROUSSAILLEUSE

Voir page 192.

Pour réduire le risque de retour de choc : N'avancez pas vers les éléments à couper. Progresser de la droite vers la gauche, en balayages réguliers. Avancez-vous légèrement au début de chaque nouveau balayage.

**RBC31SESO:** Tenez le produit avec la main droite sur la poignée arrière et la main gauche sur la poignée avant.

**RBC31SBO:** Tenez le produit avec votre main droite sur

la poignée à gâchette et votre main gauche sur la poignée gauche.

- Le produit-bordures doit être tenu à une position confortable avec la poignée à gâchette à peu près au niveau des hanches.
- Maintenez une bonne accroche et un bon équilibre sur vos deux pieds. Placez-vous de façon à ne pas perdre votre équilibre en cas de rebond de la lame de coupe.
- Réglez le support de bandoulière à une position confortable.
- Soyez particulièrement attentif lorsque vous utilisez la lame avec le produit. Le rebond de la lame est la réaction qui peut se produire lorsque la lame en rotation entre en contact avec un élément qu'elle ne peut pas couper. Ce contact peut entraîner un brusque arrêt provisoire de la lame, et "projeter" soudainement l'appareil en direction inverse de l'élément heurté. Cette réaction peut être assez violente pour que l'utilisateur perde le contrôle de l'appareil. Une projection de la lame survenir sans prévenir si elle s'accroche, se bloque ou se coince. Ceci est surtout susceptible de se produire dans des zones où il est difficile de voir les éléments en cours de coupe. Pour une coupe plus sûre et plus facile, attaquez les herbes à couper de la droite vers la gauche. **En cas de contact inattendu avec un objet ou une souche, la réaction de rebond en sera minimisée.**

#### TRANSPORT ET STOCKAGE

- Arrêtez le produit et laissez-le refroidir avant de le ranger ou de le transporter.
- Débarrassez l'appareil de tous les corps étrangers.
- Si une lame de découpe est installée, couvrez-la avec le protecteur de lame.
- Versez tout le carburant restant dans le réservoir dans un récipient homologué pour contenir de l'essence. N'oubliez pas de bien remettre en place et serrer le bouchon du réservoir.
- Faites tourner le moteur jusqu'à ce qu'il s'arrête. Cela retirera toute l'essence qui pourrait s'éventer et laisser du vernis et de la gomme dans le système de carburant.
- Rangez la en un endroit frais, sec et correctement ventilé, hors de portée des enfants. Ne la rangez pas à proximité d'agents corrosifs tels que produits chimiques de jardinage ou sels de dégel. Ne le rangez pas à l'extérieur.
- Pour le transport, attachez le produit pour l'empêcher de bouger ou de tomber, afin d'éviter toute blessure et tout dommage matériel.
- Ne portez jamais et ne transportez jamais l'appareil lorsqu'il est en fonctionnement.
- Référez-vous aux réglementations nationales et locales en matière de stockage et de manipulation de carburant. Vous pouvez utiliser le carburant restant avec un autre outil équipé d'un moteur à deux temps.

#### COURT TERME

- Arrêter le moteur et lui permettre de refroidir avant le stockage.

- Débarrassez l'appareil de tous les corps étrangers.
- Rangez la en un endroit frais, sec et correctement ventilé, hors de portée des enfants.
- Ne le rangez pas à proximité d'agents corrosifs tels que des produits chimiques de jardinage ou sels de dégel.
- Ne le rangez pas à l'extérieur.

## ENTRETIEN

### ⚠ AVERTISSEMENT

N'utilisez que des pièces détachées et accessoires d'origine constructeur. Le non-respect de cette précaution peut entraîner de mauvaises performances, des blessures, et annuler votre garantie.

### ⚠ AVERTISSEMENT

L'accessoire de coupe de doit pas tourner quand le moteur est au ralenti. Si cela n'est pas le cas, il est nécessaire de régler l'embrayage ou la machine doit être réparée d'urgence par un technicien qualifié.

### ⚠ AVERTISSEMENT

Un bouchon d'essence qui fuit entraîne un risque d'incendie et doit être remplacé immédiatement.

### ⚠ AVERTISSEMENT

Notez que l'écrou de la lame est un écrou nyloc qui doit être utilisé une seule fois. Ne réutilisez pas l'écrou nyloc. Lors de l'installation/de la réinstallation, utiliser un nouvel écrou nyloc. Le non-respect de l'une des consignes peut entraîner des blessures corporelles graves.

### ⚠ AVERTISSEMENT

Assurez-vous que le couple de serrage de l'écrou est  $\geq 25$  Nm lorsque vous montez la lame. Le non-respect de l'une des consignes peut entraîner des blessures corporelles graves (Voir page 202, étape 4).

- Arrêtez toujours le moteur et laissez-le refroidir avant toute opération d'entretien.
- Vous n'êtes autorisé à effectuer que les réglages et réparations décrits dans ce manuel. Pour toute autre réparation, contactez un service après-vente agréé.
- Les conséquences d'un mauvais entretien peuvent être entre autres un excès de calamine entraînant une baisse des performances et la rejet de résidus huileux noirs par l'échappement.
- Pour remplacer le fil de coupe, n'utilisez que du fil nylon du diamètre indiqué dans la table des caractéristiques de ce manuel.
- Après avoir déroulé une nouvelle longueur de fil de coupe, remettez toujours le produit en position normale de travail avant de le mettre en marche. Après chaque utilisation, utilisez un chiffon propre et sec pour nettoyer le produit.

- Assurez-vous que toutes les protections, toutes les attaches, tous les déflecteurs et toutes les poignées sont bien en place et bien verrouillés pour éviter tout risque de blessure.

## PÉRIODICITÉ D'ENTRETIEN

Vérifier si la fixation est bien serrée	Avant chaque utilisation
Vérification : L'accessoire de coupe ne doit pas tourner quand le moteur est au ralenti. <sup>2</sup>	Avant chaque utilisation
Vérifier le tuyau du carburant	Avant chaque utilisation
Vérifier tous les branchements des flexibles	Avant chaque utilisation
Nettoyer le réservoir de carburant et le filtre <sup>1</sup>	Tous les 3 mois ou après 50 heures de fonctionnement
Remplacer le filtre à essence <sup>1</sup>	Chaque année ou après 300 heures de fonctionnement
Vérifier l'absence de fuite au niveau du bouchon d'essence ou de l'évent d'évacuation des vapeurs du réservoir de carburant (si équipé)	Avant chaque utilisation
Nettoyer le filtre à air.	Toutes les 25 heures
Changer le filtre à air	Chaque année ou après 300 heures de fonctionnement
Vérifier/régler la bougie	Tous les 6 mois ou après 100 heures de fonctionnement
Remplacer la bougie	Chaque année ou après 300 heures de fonctionnement
Nettoyer le pare-étincelles	Toutes les 25 heures
Remplacer le pare-étincelles	Chaque année ou après 300 heures de fonctionnement
Nettoyer la lumière d'échappement et du silencieux	Toutes les 25 heures

<sup>1</sup> Ces opérations doivent être effectuées uniquement par un service après-vente agréé.

<sup>2</sup> Si cette exigence n'est pas satisfaite, contactez un service après-vente agréé pour la réparation ou l'ajustement.

## RISQUES RÉSIDUELS

Même lorsque le produit est utilisé selon les prescriptions, il reste impossible d'éliminer totalement certains facteurs de risque résiduels. Les dangers suivants risquent de se présenter en cours d'utilisation et l'utilisateur doit prêter particulièrement garde à ce qui suit :

- Entrée en contact avec les éléments de coupe.
  - S'assurer que les protections des lames sont en place lorsque le produit n'est pas utilisé. Gardez en permanence vos pieds et vos mains éloignés des

lames.

- Blessures dues aux vibrations.
  - Utilisez toujours un outil adapté au travail à effectuer, servez-vous des poignées appropriées et limitez le temps de travail et d'exposition.
- Perte d'audition provoquée par l'exposition au bruit.
  - Portez une protection auditive et limitez le temps d'exposition.
- Blessures oculaires dues aux débris volants.
  - Portez en permanence une protection oculaire.
- Risque de chute d'objets.
  - En cas de risque de chute d'objets, portez un dispositif de protection de la tête.

Un effet de retour peut survenir lors de l'utilisation de la débroussailluse. Assurez-vous un maintien adapté de l'outil en utilisant les poignées prévues, avec les deux mains. Lisez et suivez les autres instructions de ce manuel pour réduire le risque de retour de choc.

### RÉDUCTION DES RISQUES

Il a été reporté que les vibrations engendrées par les outils à main peuvent contribuer à l'apparition d'un état appelé le Syndrome de Raynaud chez certaines personnes. Les symptômes peuvent comprendre des fourmillements, un engourdissement et un blanchiment des doigts, généralement par temps froid. Des facteurs héréditaires, l'exposition au froid et à l'humidité, le régime alimentaire, le tabagisme et les habitudes de travail peuvent contribuer au développement de ces symptômes. Certaines mesures peuvent être prises par l'utilisateur pour aider à réduire les effets des vibrations:

- Gardez votre corps au chaud par temps froid. Lorsque vous utilisez le produit, portez des gants afin de garder vos mains et vos poignets au chaud. Le temps froid est considéré comme un facteur contribuant très largement à l'apparition du syndrome de Raynaud.
- Après chaque session de travail, pratiquez des exercices qui favorisent la circulation sanguine.
- Assurez-vous que la machine est dans une position de travail correcte avant de la démarrer.
- Limitez la quantité d'exposition journalière. Faites des pauses fréquentes.

Si vous ressentez l'un des symptômes associés à ce syndrome, arrêtez immédiatement le travail et consultez votre médecin pour lui en faire part.

### ⚠ AVERTISSEMENT

L'utilisation prolongée d'un outil est susceptible de provoquer ou d'aggraver des blessures. Assurez-vous de faire des pauses de façon régulière lorsque vous utilisez tout outil de façon prolongée.

### APPRENEZ À CONNAÎTRE VOTRE PRODUIT

1. Poignée du lanceur
2. Bouchon d'essence
3. Guidon (RBC31SBO)
4. Arbre d'entraînement (RBC31SBO)
5. Protège-lame

6. Défecteur d'herbe
7. Écrou nylon
8. Rondelle de la lame
9. Rondelle à collerette
10. Protège-lame
11. Lame Tri-Arc™
12. Boîtier de la tête de coupe à fil supérieure
13. Bobine
14. Bouton par contact au sol
15. Boîtier de la tête de coupe à fil inférieure
16. Fil de coupe
17. Verrouillage de gâchette (RBC31SBO)
18. Gâchette des gaz (RBC31SBO)
19. Contacteur d'allumage
20. Verrouillage des gaz (RBC31SBO)
21. Dispositif d'accrochage
22. Arbre inférieur (RBC31SESO)
23. Écrou papillon (RBC31SESO)
24. Arbre supérieur (RBC31SESO)
25. Poignée avant (RBC31SESO)
26. Gâchette des gaz (RBC31SESO)
27. Verrouillage des gaz (RBC31SESO)

### SYMBOLES APPLIQUÉS SUR LE PRODUIT



Avertissement



Lisez et comprenez toutes les instructions avant d'utiliser le produit, respectez tous les avertissements et toutes les instructions de sécurité.



Portez une protection oculaire et auditive ainsi qu'un casque



Portez des chaussures de sécurité antidérapantes lorsque vous utilisez le produit.



Portez des gants de protection solides et antidérapants.



Prenez garde à la projection d'objets au sol et dans les airs. Gardez tous les passants, en particulier les enfants et les animaux, éloignés d'au moins 15 m de distance de la zone de travail.



Ce produit n'a pas été conçu pour fonctionner avec une lame équipée de dents de scie.



Pour réduire les risques de blessures ou de dommages, évitez tout contact avec les surfaces chaudes.



Gardez vos mains à l'écart des lames.



Niveau de puissance sonore garanti



Position Marche

EN  
FR  
DE  
ES  
IT  
NL  
PT  
DA  
SV  
FI  
NO  
RU  
PL  
CS  
HU  
RO  
LV  
LT  
ET  
HR  
SL  
SK  
BG  
UK  
TR



Mettez le levier du démarreur en position FULL (Complet).



Mettez le levier du démarreur en position HALF (Moitié).



Temps d'attente : 10 secondes



#### CHARGER

Pressez la poire d'amorçage à 10 reprises.



Tirez sur le cordon du démarreur.



Pressez sur la gâchette des gaz pour démarrer/travailler.



Verrouillez la position de l'accélérateur en enfonçant le bouton de verrouillage des gaz.



Utilisez de l'essence sans plomb destinée aux automobiles avec un indice d'octane de 91 ((R+M)/2) ou plus.



Utilisez de l'huile 2-temps pour moteur refroidi par air.



Mélangez énergiquement le carburant, et faites-le avant chaque plein.



Démarrage manuel d'un moteur à froid



Démarrage manuel d'un moteur chaud



Démarrage d'un moteur à froid à l'aide du démarreur électrique



Démarrage d'un moteur chaud à l'aide du démarreur électrique



Symbole « arbre droit » : Lorsque vous positionnez la bobine sur l'outil de coupe, ce symbole doit être visible pour l'utilisateur.



La lame Tri-Arc™ est appropriée pour ce produit et adaptée à la coupe des mauvaises herbes épaisses et des plantes grimpantes.



Faire attention aux effets de ricochet de la lame.



Sens de rotation et vitesse maximale de l'arbre de l'accessoire de coupe.



Tirer Languette de déverrouillage rapide

Cet outil est conforme à l'ensemble des normes réglementaires du pays de l'UE où il a été acheté.



Marque de qualité EurAsian



Marque de conformité ukrainienne

Les symboles suivants, et les noms qui leur sont associés, permettent d'expliquer les différents niveaux de risques liés à l'utilisation de cet outil.

#### DANGER

Situation potentiellement dangereuse qui, si l'on n'y prend garde, peut entraîner la mort ou des blessures graves.

#### AVERTISSEMENT

Situation potentiellement dangereuse qui, si l'on n'y prend garde, peut entraîner la mort ou des blessures graves.

#### MISE EN GARDE

Situation potentiellement dangereuse qui, si l'on n'y prend garde, peut entraîner des blessures moyennes ou légères.

#### MISE EN GARDE

Sans symbole d'alerte de sécurité

Indique une situation pouvant entraîner des dommages matériels.

#### SYMBOLES DE CE MANUEL



Remarque



Avertissement



Sicherheit, Leistung und Zuverlässigkeit hatten oberste Priorität bei der Entwicklung Ihres Freischneiders/Grastrimmers.

### BESTIMMUNGSGEMÄSSE VERWENDUNG

Der Freischneider/Grastrimmer ist nur für den Gebrauch von Erwachsenen vorgesehen, die die Bedienungsanleitung gelesen und verstanden haben und als verantwortlich für ihre Handlungen erachtet werden können. Das Produkt ist ausschließlich zur Verwendung in einem gut belüfteten Bereich im Freien vorgesehen. Aus Sicherheitsgründen muss das Produkt bei der Benutzung immer mit beiden Händen sicher gehalten werden.

Das Produkt mit Grastrimmerkopf (und der entsprechenden Schutzvorrichtung) ist zum Schneiden von hohem Gras, Unkraut oder ähnlichen Pflanzen auf oder etwas über Bodenhöhe bestimmt. Wenn das Gerät mit dem Tri-Arc™-Messer (und entsprechende Schutzvorrichtung) ausgestattet ist, können auch Büsche geschnitten werden. Das Produkt ist nicht für ein Sägeblatt ausgelegt.

Die Schnittebene muss ungefähr parallel zu Oberfläche des Untergrunds liegen. Das Produkt darf nicht zum Schneiden oder Trimmen von Hecken, Büschen oder anderer Vegetation verwendet werden, wobei die Schnittebene sich nicht parallel zur Oberfläche des Untergrunds befindet. Es darf zu keinen anderen Zwecken verwendet werden.

#### ⚠️ WARNUNG

Um das Risiko von Verletzungen zu minimieren, muss der Benutzer vor Inbetriebnahme des Geräts das Betriebshandbuch gründlich durchlesen und die Sicherheitsvorschriften verstehen und beachten.

#### ⚠️ WARNUNG

Verwenden Sie das Produkt nicht, bis Sie alle in diesem Handbuch enthaltenen Anweisungen und Sicherheitsbestimmungen gründlich gelesen und komplett verstanden haben. Nichtbeachtung kann zu Unfällen durch Stromschläge, Feuer und/oder zu schweren Verletzungen führen. Heben Sie diese Bedienungsanleitung auf und lesen sie regelmäßig durch, um ein sicheres Arbeiten zu gewährleisten und gegebenenfalls andere Benutzer zu informieren.

#### ⚠️ WARNUNG

Dieses Produkt ist nicht für Kinder oder Personen mit verminderten physischen, geistigen oder sensorischen Fähigkeiten geeignet. Kinder müssen ausreichend beaufsichtigt werden, so dass gewährleistet ist, dass sie nicht mit dem Produkt spielen.

### ALLGEMEINE SICHERHEITSWARNUNGEN

- Lesen und verstehen Sie für den sicheren Betrieb alle Anweisungen, bevor Sie das Produkt benutzen. Befolgen Sie alle Sicherheitshinweise. Die Nichtbeachtung dieser Warnung kann zu schweren Personenschäden führen.
- In einigen Regionen können Vorschriften die Benutzung

dieses Produkts einschränken. Lassen Sie sich von Ihrer örtlichen Behörde beraten.

- Erlauben Sie Kindern oder ungeschulten Personen nicht den Gebrauch des Produktes.
- Starten Sie den Motor niemals in geschlossenen oder schlecht gelüfteten Räumen und lassen Sie ihn niemals darin laufen; das Einatmen von Abgasen kann tödlich sein.
- Untersuchen Sie vor jeder Benutzung den Arbeitsbereich. Entfernen Sie alle Objekte, wie Steine, Glasscherben, Nägel, Drähte oder Schnüre, die weggeschleudert werden oder sich im Trimmerkopf oder Messer verwickeln können.
- Tragen Sie bei Einsatz dieses Geräts vollen Augen- und Gehörschutz. Bei Arbeiten in Bereichen wo die Gefahr herabfallender Objekte besteht, muss Kopfschutz getragen werden.
- Ein Gehörschutz kann die Fähigkeit des Benutzers, Warnöne zu hören, einschränken. Achten Sie besonders auf mögliche Gefahren um und in dem Arbeitsbereich.
- Tragen Sie eine lange, feste Hose, rutschfeste Sicherheitsschuhe und Handschuhe. Tragen Sie keine locker sitzende Kleidung, kurze Hosen und keinen Schmuck. Gehen Sie nicht barfuß.
- Binden Sie lange Haare zurück, so dass diese sich über Schulterhöhe befinden um zu verhindern, dass sie sich in beweglichen Teilen verfangen.
- Halten Sie unbeteiligte Personen (insbesondere Kinder und Tiere) mindestens 15m vom Arbeitsbereich fern. Stoppen Sie das Produkt, wenn jemand diesen Bereich betritt.
- Arbeiten Sie mit diesem Produkt nicht, wenn Sie müde oder krank sind, oder unter dem Einfluss von Alkohol, Drogen oder Medikamenten stehen.
- Nicht bei schlechter Beleuchtung verwenden. Der Benutzer muss uneingeschränkte Sicht haben, um mögliche Gefahren zu erkennen.
- Sorgen Sie für einen sicheren Stand und halten Sie jederzeit das Gleichgewicht. Vermeiden Sie eine abnormale Körperhaltung. Eine abnormale Körperhaltung kann zu einem Verlust des Gleichgewichts oder Kontakt mit heißen Oberflächen führen.
- Halten Sie alle Körperteile von den sich bewegenden Teilen fern.
- Berühren Sie nicht die Fläche rund um den Schalldämpfer oder Zylinder des Produkts, diese Teile werden während des Betriebes heiß.
- Stellen Sie immer den Motor ab und lassen Sie ihn abkühlen, bevor Einstellungen vorgenommen werden.
- Rauchen Sie nicht, wenn Sie Treibstoff mischen oder den Tank auffüllen.
- Mischen und lagern Sie Treibstoff in einem für Treibstoff zugelassenen Behälter.
- Kraftstoff im Freien mischen. Es dürfen keine Funken oder Flammen zugegen sein. Verschütteten Kraftstoff sofort aufwischen. Entfernen Sie sich vor dem Anlassen des Motors 9 m von dem Betankungsort.

EN  
FR  
DE  
ES  
IT  
NL  
PT  
DA  
SV  
FI  
NO  
RU  
PL  
CS  
HU  
RO  
LV  
LT  
ET  
HR  
SL  
SK  
BG  
UK  
TR

- Halten Sie das Gerät vor dem Betanken an und lassen Sie es abkühlen.
- Lassen Sie den Motor vor einem Transport abkühlen, entleeren Sie den Kraftstofftank und sichern Sie das Gerät gegen Verrutschen.
- Stoppen Sie immer den Motor und stellen Sie sicher, dass alle sich bewegenden Teile angehalten haben, bevor:
  - Sie das Produkt warten
  - Sie das Produkt unbeaufsichtigt zurücklassen
  - Sie das Produkt reinigen
  - Sie Zubehörteile wechseln
  - Sie Blockierungen entfernen.
  - Sie es auf Schäden überprüfen, wenn ein Fremdkörper getroffen wurde.
  - Sie es auf Schäden überprüfen, wenn es anfängt ungewöhnlich zu vibrieren
  - Sie Wartungsarbeiten durchführen
  - Sie das Messer entfernen
  - Sie das Messer installieren

#### **⚠️ WARNUNG**

Verwenden Sie niemals Schneidmittel oder Zubehör, die nicht von Ryobi in diesem Handbuch angegeben sind. Dies schließt die Verwendung von metallischen mehrteiligen Schwenkketten und Schlegelmesser ein. Diese Gegenstände sind dafür bekannt, während der Verwendung zu brechen und stellen für den Bediener oder umstehende Personen eine hohe Verletzungsgefahr dar.

#### **⚠️ WARNUNG**

Inspektion nach einem Fall oder anderen Schlägen  
 Inspizieren Sie das Produkt gründlich und identifizieren jegliche Probleme oder Beschädigung. Jedes beschädigte Teil muss durch den autorisierten Kundendienst ordnungsgemäß repariert oder ausgetauscht werden.

#### **GRASTRIMMER-SICHERHEITSHINWEISE**

- Ersetzen Sie den Fadenkopf, wenn er gerissen, angeschlagen oder irgendwie beschädigt ist. Stellen Sie sicher, dass der Fadenkopf ordnungsgemäß installiert und sicher befestigt ist. Nichtbeachtung dieser Warnung kann zu schweren Verletzungen führen.
- Vermeiden Sie den Einsatz in nassem Gras.
- Gehen Sie nicht rückwärts, wenn Sie das Produkt benutzen.
- Gehen Sie immer, laufen Sie nie.
- Das kleine Messer am Schneidgarniturschutz wurde so konstruiert, dass es den neu verlängerten Schneidfaden sicher und optimal kürzt. Es ist sehr scharf, berühren Sie es nicht, besonders beim Reinigen des Produkts.
- Stellen Sie immer sicher, dass die Belüftungsöffnungen frei von Ablagerungen gehalten werden.
- Überprüfen Sie vor jeder Benutzung und nach

jedem Schlag, dass keine Teile beschädigt sind. Überprüfen Sie die Schneidwerkzeuge auf Risse oder andere Schäden. Ein Schalter oder ein anderes Teil, das beschädigt ist, muß durch den autorisierten Kundendienst ordnungsgemäß repariert oder ausgetauscht werden.

- Stellen Sie sicher, dass der Schneidaufsatz ordnungsgemäß montiert und befestigt ist.
- Vergewissern Sie sich, dass alle Schutzvorrichtungen, Abweiser, Griffe, Bolzen und Verbindungselemente ordnungsgemäß und sicher befestigt sind.
- Verändern Sie das Produkt nicht in irgendeiner Weise. Dies könnte das Verletzungsrisiko für Sie und andere erhöhen.
- Verwenden Sie nur Ersatzfaden des Herstellers im Schneidkopf. Benutzen Sie keinen anderen Schneidaufsatz.
- Betreiben Sie das Werkzeug niemals ohne den montierten und funktionsfähigen Schneidgarniturschutz.
- Halten Sie während der Benutzung beide Griffe gut fest. Halten Sie den Fadenkopf stets unterhalb Ihrer Hüfthöhe. Schneiden Sie niemals mit dem Fadenkopf höher als 76 cm über dem Boden.

#### **SICHERHEITSHINWEISE ZUM FREISCHNEIDER**

- Zusätzlich zu den oben genannten Hinweisen, sind diese zusätzlichen Anweisungen anzuwenden, wenn Sie das Produkt im Freischneider-Modus verwendet wird.
- Verwenden Sie Arbeitshandschuhe beim Ein- oder Ausbau der Messer, um Verletzungen durch scharfe Kanten zu vermeiden.
- Versuchen Sie nicht das Messer anzuhalten, wenn es sich dreht.
- Ein sich bewegendes Messer kann schwere Verletzungen verursachen. Halten Sie das Gerät mit beiden Händen unter Kontrolle, bis das Messer zum Stillstand gekommen ist.
- Ersetzen Sie jedes Messer das beschädigt wurde. Vergewissern Sie sich vor jedem Gebrauch, dass das Schneidblatt richtig eingebaut ist und sicher befestigt ist.
- Verwenden Sie nur das Ersatz-TriArc Messer des Herstellers. Benutzen Sie keinen anderen Schneidaufsatz.
- Schneiden Sie keine Materialien mit mehr als 13 mm Durchmesser.
- Ihr Freischneider ist mit einem Gurt ausgestattet. Stellen Sie den Gurt sorgfältig ein damit er bequem sitzt und das Gewicht der Maschine auf Ihrer rechten Seite unterstützt
- Ermitteln Sie, wie der Schnellverschluss funktioniert und üben Sie die Benutzung, bevor Sie die Maschine benutzen. Dessen richtige Benutzung kann im Notfall schwere Verletzungen verhindern. Tragen Sie niemals zusätzliche Kleidung über dem Tragegeschirr oder schränken den Zugriff zu dem Schnellverschluss anderweitig ein.



- Decken Sie das Schneidmesser mit dem Transportschutz ab, bevor Sie das Produkt lagern oder während des Transports. Entfernen Sie immer den Transportschutz, bevor Sie das Gerät benutzen. Wenn der Transportschutz nicht entfernt wird, kann er weg geschleudert werden, sobald das Messer sich bewegt.
- Gehen Sie sehr vorsichtig vor, wenn Sie das Messer mit dem Produkt benutzen. Ein Rückschlag des Messers ist die Reaktion die auftreten kann, wenn das sich drehende Messer auf etwas trifft das es nicht schneiden kann. Durch diesen Kontakt kann das Messer für einen Moment stoppen und das Gerät plötzlich von dem getroffenen Gegenstand "stoßen". Diese Reaktion kann so kräftig sein, dass der Benutzer die Kontrolle über das Gerät verliert. Das Messer kann ohne Vorwarnung zurückschlagen, wenn das Messer verhakt, hängenbleibt oder klemmt. Das ist wahrscheinlicher in Bereichen, in denen das zu schneidende Material schwer zu sehen ist.
- Gehen Sie, zum einfachen Schneiden und größerer Sicherheit, das zu schneidende Gras von rechts nach links an. Wenn unvermittelt auf einen Gegenstand oder Holzstock gestoßen wird, kann dadurch der Rückschlag des Messers minimiert werden. Beide Hände müssen immer eingesetzt werden um das Produkt zu kontrollieren.

## MONTAGE

### AUSPACKEN

Siehe Seite 181-182.

Dieses Produkt muss vor der ersten Benutzung zusammengebaut werden.

- Entfernen Sie vorsichtig das Werkzeug und alles Zubehör aus dem Karton. Prüfen Sie, ob alle Gegenstände, die aufgeführt sind, vorhanden sind.
- Untersuchen Sie das Werkzeug sorgfältig und vergewissern Sie sich, dass während des Transports keine Beschädigungen aufgetreten sind.

### ⚠️ WARNUNG

Falls Teile fehlen oder beschädigt, sind darf das Gerät nicht in Betrieb genommen werden, bevor alles korrekt ersetzt wurde. Die Nichtbeachtung dieser Warnung kann zu schweren Personenschäden führen.

### EINSTELLEN DER GURTBEFESTIGUNG

Siehe Seite 185/189.

Stellen Sie die Gurtbefestigung auf eine bequeme und ausbalancierte Position ein, bei der die Messer- oder Schneidebefestigung zwischen 100 und 300 mm über dem Boden hängt.

### BENUTZUNG DES GESCHIRRS

Siehe Seite 185/189.

**HINWEIS:** Verwenden Sie das Gurtzeug immer zusammen mit dem Produkt.

**HINWEIS:** Um das Produkt schnell vom Gurtzeug zu entfernen, ziehen Sie fest an der Schnellöffnungs-Lasche.

### BENUTZUNG DES REELEASY™-TRIMMERKOPFS UND DES TRI-ARC™ MESSER

- Wenn Sie den ReelEasy™-Trimmerkopf verwenden, muss derGrasabweiser am Schneidgarniturschutz befestigt sein. (Siehe Seite 203.)
- Wird das Tri-Arc™ Messer benutzt, muss der Grasabweiser von dem Schneidgarniturschutz entfernt werden. (Siehe Seite 202.)

### ⚠️ WARNUNG

Entfernen Sie stets den Stift zum Arretieren der Getriebewelle, bevor Sie den Motor starten. (siehe Seite 185, Schritt 4)

## BETRIEB

### KRAFTSTOFF UND AUFTANKEN

Siehe Seite 184.

- Handhaben Sie Treibstoff immer vorsichtig, er ist hoch entzündlich.
- Dieses Werkzeug wird von einem Zweitaktmotor angetrieben und erfordert das Vormischen von Benzin und Zweitaktmotoröl. Unverbleites Benzin und Zweitaktmotoröl in einem sauberen Behälter mischen, der für Benzin zugelassen ist.
- Dieser Motor ist für den Betrieb mit unverbleitem Benzin mit einer Oktanzahl von 91 [(R + M) / 2] oder höher vorgesehen.
- Es darf kein vorgemischtes Benzin/Öl von Tankstellen verwendet werden.
- Verwenden Sie nur ein synthetisches Zweitaktmotoröl. Kein Kfz-Öl oder Öl für Zweitakt-Außenbordmotoren verwenden.
- Mischen Sie 2 % synthetisches 2-Takt-Öl in das Benzin. Das ist ein Verhältnis von 50:1.
- Den Kraftstoff gründlich mischen. Auch vor dem Auftanken noch einmal gründlich mischen.
- In kleinen Mengen mischen. Höchstens einen Vorrat für 30 Tage mischen. Wir empfehlen Ihnen die Verwendung eines synthetischen Zweitaktmotoröls, das einen Kraftstoffstabilisator enthält.

### AUFTANKEN

- Die Flächen um den Kraftstofftank-Deckel reinigen, um Kontamination zu vermeiden.
- Den Tankdeckel langsam lösen, um den Druck abzubauen und damit kein Kraftstoff entlang des Deckelrands entweichen kann.
- Das Benzingemisch vorsichtig in den Tank leeren. Verschütten vermeiden.
- Vor dem Aufsetzen des Deckels die Deckeldichtung reinigen und prüfen.
- Den Deckel sofort aufsetzen und von Hand festziehen. Verschütteten Kraftstoff sofort aufwischen. Entfernen Sie sich 9 m von dem Ort der Betankung, bevor Sie den Motor starten.



## STARTEN DES MOTORS MIT EINEM ELEKTROSTARTER (OPTIONAL):

Siehe Seiten 196-201.

### ⚠️ WARNUNG

Verwenden Sie nur den Ryobi OES18 Elektrostarter. Die Verwendung eines anderen Starters kann den Motor beschädigen und zu schweren Verletzungen führen.

### ⚠️ WARNUNG

Vor dem Einsatz des Elektrostarters, lesen und verstehen Sie bitte die Betriebsanleitung des OES18 Elektrostarters, um unsachgemäße Bedienung und ernsthafte Verletzungen zu vermeiden.

- Halten Sie den isolierten Schaft mit der linken Hand fest und nehmen Sie die rechte Hand, um die Starter-Bitwelle in die Wellenöffnung des Motors zu stecken.
- Stellen Sie sicher, dass der Starter-Bit richtig fest sitzt.

**HINWEIS:** Der Elektrostarter verfügt über eine Sicherheitsverriegelung. Betätigen und halten Sie nicht den Einschalter des Elektrostarters während Sie die Welle des Starters in die Aufnahmebohrung des Motors stecken. Der Starter lässt sich nicht einschalten, wenn der Elektrostarter nicht vollständig im Eingriff ist.

## BEDIENEN DES GRASTRIMMERS

Siehe Seite 189.

**RBC31SESO:** Halten Sie das Produkt immer mit der rechten Hand am hinteren Griff und mit der linken Hand am vorderen Griff.

**RBC31SBO:** Halten Sie das Produkt mit der rechten Hand an dem Gasdrückergriff und der linken Hand am linken Griff.

- Halten Sie das Gerät während des Betriebs fest mit beiden Händen.
- Das Gerät sollte in einer bequemen Position mit dem Gasdrückergriff ungefähr hüfthoch gehalten werden.
- Benutzen Sie das Produkt immer mit Vollgas. Längeres Schneiden mit gedrosselter Motorleistung führt zu Austritt von Schmierstoff aus dem Schalldämpfer.
- Schneiden Sie hohes Gras von oben nach unten, um zu verhindern dass das Gras sich um das Getriebegehäuse und den Fadenkopf wickelt, was zu Schäden durch Überhitzung führen kann.
- Wenn sich das Gras um die Schneidgarnitur wickelt, schalten Sie den Motor ab. Tragen Sie Handschuhe um Verletzungen durch scharfe Messer zu vermeiden. Entfernen Sie vorsichtig die Grasreste.
- Drücken Sie das Gerät nicht in das Gras, um es zu schneiden. Bewegen Sie es von einer zu anderen Seite. Bewegen Sie sich nach jedem Schwung ein wenig nach vorn.
- Halten Sie das Produkt geneigt in Richtung des zu schneidenden Bereichs.
- Nicht an gefährlichen Orten verwenden!
- Benutzen Sie die Fadenspitze zum Schneiden; zwingen

Sie den Fadenkopf nicht in das ungeschnittene Gras.

- Draht und Lattenzäune können den Faden übermäßig abnutzen und sogar beschädigen. Stein- und Ziegelwände, Bordsteine und Holz können den Faden sehr schnell abnutzen.
- Vermeiden Sie Bäume und Sträucher. Baumrinde, Holzleisten, Verkleidungen und Zaunpfosten können von dem Faden leicht beschädigt werden.

## BENUTZEN DES FREISCHNEIDERS

Siehe Seite 192.

Um das Risiko eines Rückschlags reduzieren: Nicht in das zu schneidende Material drücken. Bewegen Sie sich von rechts nach links mit gleichmäßigen Streichbewegungen. Bewegen Sie sich nach jeder Streichbewegung ein wenig nach vorn.

**RBC31SESO:** Halten Sie das Produkt immer mit der rechten Hand am hinteren Griff und mit der linken Hand am vorderen Griff.

**RBC31SBO:** Halten Sie das Produkt mit der rechten Hand an dem Gasdrückergriff und der linken Hand am linken Griff.

- Das Gerät sollte in einer bequemen Position mit dem Gasdrückergriff ungefähr hüfthoch gehalten werden.
- Behalten Sie Ihren guten Halt und Ihr Gleichgewicht auf beiden Füßen. Stellen Sie sich so, dass Sie nicht durch einen Rückschlag des Messers das Gleichgewicht verlieren.
- Stellen Sie die Aufhängeöse auf eine bequeme Trageposition ein.
- Gehen Sie sehr vorsichtig vor, wenn Sie das Messer mit dem Produkt benutzen. Ein Rückschlag des Messers ist die Reaktion die auftreten kann, wenn das sich drehende Messer auf etwas trifft das es nicht schneiden kann. Durch diesen Kontakt kann das Messer für einen Moment stoppen und das Gerät plötzlich von dem getroffenen Gegenstand "stoßen". Diese Reaktion kann so kräftig sein, dass der Benutzer die Kontrolle über das Gerät verliert. Das Messer kann ohne Vorwarnung zurückschlagen, wenn das Messer verhakt, hängenbleibt oder klemmt. Das ist wahrscheinlicher in Bereichen, in denen das zu schneidende Material schwer zu sehen ist. Gehen Sie, zum einfachen Schneiden und größerer Sicherheit, das zu schneidende Gras von rechts nach links an. Wenn unvermittelt auf einen Gegenstand oder Holzstock gestoßen wird, kann dadurch der Rückschlag des Messers minimiert werden.

## TRANSPORT UND LAGERUNG

- Stoppen Sie den Motor und lassen Sie ihn abkühlen, bevor Sie ihn lagern oder transportieren.
- Entfernen Sie alle Fremdkörper vom Produkt.
- Wenn ein Schneidmesser angebracht ist, bedecken Sie es mit dem Transportschutz.
- Den gesamten Kraftstoff aus dem Tank in einen für Benzin zugelassenen Behälter ablassen. Denken Sie bitte daran, den Kraftstoffdeckel sofort aufsetzen und mit der Hand festziehen.

- Den Motor laufen lassen, bis er stoppt. Das entfernt das gesamte Kraftstoff-/Ölgemisch, das alt werden könnte und Ablagerungen und eine Verharzung des Kraftstoffsystems verursachen könnte.
- Lagern Sie das Produkt an einem kühlen, trockenen und gut belüfteten Ort, der Kindern keinen Zugang bietet. Von korrodierend wirkenden Stoffen, wie Gartenchemikalien und Enteisungssalzen, fernhalten. Nicht im Freien lagern.
- Sichern Sie das Produkt beim Transport in einem Fahrzeug gegen Bewegung oder Herunterfallen, um Verletzungen und Beschädigung des Produkts zu verhindern.
- Tragen oder transportieren Sie das Produkt niemals während der Motor läuft.
- Alle Gesetze und örtlichen Vorschriften für die sichere Aufbewahrung und den Umgang mit Benzin einhalten. Übrig gebliebener Kraftstoff sollte in anderen Werkzeugen mit Zweitaktmotoren verbraucht werden.

#### KURZFRISTIGE AUFBEWAHRUNG

- Stoppen Sie den Motor und lassen Sie ihn abkühlen, bevor Sie das Gerät lagern
- Entfernen Sie alle Fremdkörper vom Produkt.
- Lagern Sie das Produkt an einem kühlen, trockenen und gut belüfteten Ort, der Kindern keinen Zugang bietet.
- Von korrodierend wirkenden Stoffen, wie Gartenchemikalien und Enteisungssalzen, fernhalten.
- Nicht im Freien lagern.

#### WARTUNG

##### ⚠️ WARNUNG

Verwenden Sie ausschließlich original Ersatzteile, Zubehör und Aufsätze des Herstellers. Nichtbefolgung kann mögliche Verletzungen oder schlechte Leistung verursachen und Ihre Garantie ungültig machen.

##### ⚠️ WARNUNG

Der Schneidaufsatz darf sich im Leerlaufbetrieb nicht drehen. Wenn diese Anforderung nicht erfüllt wird, muss die Kupplung eingestellt werden oder die Maschine dringend von einem qualifizierten Techniker gewartet werden.

##### ⚠️ WARNUNG

Ein undichter Tankdeckel stellt eine Feuergefahr dar und muss unverzüglich ersetzt werden!

##### ⚠️ WARNUNG

Beachten Sie, dass es sich bei der Messermutter um eine Mutter mit Kunststoffeinsatz handelt, die nur einmal verwendet werden darf. Verwenden Sie die Mutter nicht erneut. Verwenden Sie beim Installieren/erneuten Installieren eine neue Mutter mit Kunststoffeinsatz. Die Nichtbeachtung dieser Warnung kann zu schweren Personenschäden führen.

##### ⚠️ WARNUNG

Stellen Sie sicher, dass das Anzugsmoment der Mutter  $\geq 25\text{Nm}$  ist wenn Sie das Messer montieren. Die Nichtbeachtung dieser Warnung kann zu schweren Personenschäden führen. (siehe Seite 202, Schritt 4)

- Stoppen Sie immer den Motor und lassen Sie ihn abkühlen, bevor Sie Wartungsarbeiten durchführen.
- Sie dürfen die in dieser Bedienungsanleitung beschriebenen Einstellungen und Reparaturen durchführen. Lassen Sie andere Reparaturen durch den autorisierten Kundendienst ausführen.
- Die Folgen falscher Wartung können übermäßige Kohlenstoffablagerungen einschließen, resultierend in Leistungsverlust und zu öligen Rückständen die vom Schalldämpfer tropfen.
- Verwenden Sie als Ersatzfaden nur Nylonfaden mit einem Durchmesser wie in der Spezifikations-Tabelle in dieser Bedienungsanleitung beschrieben.
- Bringen Sie das Produkt nach dem Herausschieben des neuen Fadens immer erst wieder in die normale Arbeitsposition, bevor Sie es einschalten. Reinigen Sie das Produkt nach jeder Benutzung mit einem weichen, trockenen Lappen.
- Stellen Sie sicher, dass alle Schutzabdeckungen, Gurte, Abweiser und Griffe ordnungsgemäß und sicher befestigt sind um die Gefahr von Verletzungen zu vermeiden.

#### WARTUNGSPLAN

Überprüfen Sie, dass alle Befestigungselemente vollständig angezogen sind.	Vor jedem Gebrauch
Zum Überprüfen: Der Schneidaufsatz darf sich im Leerlaufbetrieb nicht drehen. <sup>2</sup>	Vor jedem Gebrauch
Kraftstoffschlauch prüfen	Vor jedem Gebrauch
Alle Schlauchverbindungen prüfen	Vor jedem Gebrauch
Kraftstofftank und Filter reinigen. <sup>1</sup>	Alle 3 Monate oder 50 Betriebsstunden
Ersatz Kraftstofffilter. <sup>1</sup>	Jedes Jahr oder 300 Betriebsstunden

Überprüfen Sie den Tankdeckel oder Tankentlüftungsventil (wenn vorhanden) auf Undichtigkeit.	Vor jedem Gebrauch
Den Luftfilter reinigen.	Alle 25 Stunden
Luftfilter austauschen	Jedes Jahr oder 300 Betriebsstunden
Zündkerze reinigen oder einstellen	Alle 6 Monate oder 100 Betriebsstunden
Zündkerze ersetzen	Jedes Jahr oder 300 Betriebsstunden
Reinigen des Funkenfängers	Alle 25 Stunden
Mit einem neuen Funkenfänger ersetzen.	Jedes Jahr oder 300 Betriebsstunden
Reinigen der Auspuff und des Schalldämpfers	Alle 25 Stunden

1 Diese dürfen nur von einem autorisierten Service-Center durchgeführt werden.

2 Falls diese Voraussetzung nicht erfüllt ist, wenden Sie sich bitte an ein autorisiertes Servicecenter zur Reparatur oder Einstellung.

#### RESTRISIKEN

Sogar wenn das Produkt wie vorgeschrieben benutzt wird, ist es unmöglich ein gewisses Restrisiko vollständig zu beseitigen. Die folgenden Gefahren können bei der Benutzung entstehen, und der Benutzer sollte besonders auf folgende Punkte achten:

- Kontakt mit dem Schneidwerkzeug.
  - Stellen Sie sicher, dass der Transportschutz montiert ist, wenn das Produkt nicht benutzt wird. Halten Sie immer Hände und Füße von den Schneidwerkzeugen fern.
- Durch Vibrationen verursachte Verletzungen.
  - Benutzen Sie immer das richtige Werkzeug für die Aufgabe; benutzen Sie die vorgesehenen Griffe und schränken die Arbeitszeit und Exposition ein.
- Lärm kann zu Gehörschaden führen.
  - Tragen Sie einen Gehörschutz und schränken Sie die Belastung ein.
- Augenverletzungen aufgrund von fliegendem Fremdkörpern.
  - Tragen Sie immer einen Augenschutz.
- Gefahr fallender Objekte
  - Tragen Sie Kopfschutz, wenn eine Gefahr vor herabfallenden Objekten besteht.

Ein Rückschlag kann auftreten, wenn Sie den Freischneider benutzen. Stellen Sie sicher, dass Sie das Produkt mit beiden Händen an den vorgesehenen Handgriffen halten. Lesen und befolgen Sie die Anweisungen in diesem Handbuch, um die Rückschlaggefahr zu reduzieren.

#### RISIKOVERRINGERUNG

Vibrationen von in der Hand gehaltenen Werkzeugen können bei einigen Personen zu einem Zustand, der

Raynaud-Syndrom genannt wird, führen. Symptome sind u.a. Kribbeln, Taubheitsgefühl und episodische Weißfärbung der Finger und treten normalerweise bei Kälte auf. Man geht davon aus, dass ererbte Faktoren, Kälte und Feuchtigkeit, Essgewohnheiten, Rauchen und Arbeitsweise zur Entwicklung dieser Symptome beitragen. Der Anwender kann Maßnahmen ergreifen, um die Auswirkungen der Vibrationen möglicherweise zu verringern:

- Halten Sie den Körper bei Kälte warm. Tragen Sie beim Betrieb des Produkts Handschuhe, um Hände und Handgelenke warm zu halten. Berichten zu Folge ist kaltes Wetter ein wesentlicher Faktor, der zum Raynaud Syndrom beiträgt.
- Betätigen Sie sich nach jedem Einsatz körperlich, um den Blutkreislauf zu steigern.
- Stellen Sie sicher, dass die Maschine richtig in der vorgesehenen Arbeitsposition steht, bevor Sie anfangen mit der Maschine zu arbeiten.
- Beschränken Sie die Beanspruchung pro Tag. Machen Sie regelmäßige Pausen.

Sollten bei Ihnen Symptome dieses Zustands auftreten, stellen Sie unverzüglich den Betrieb ein und suchen Sie in Hinsicht auf die Symptome einen Arzt auf.

#### ⚠ WARNUNG

Verletzungen können durch lange Benutzung eines Werkzeugs entstehen oder verschlimmert werden. Machen Sie regelmäßig Pause, wenn Sie ein Werkzeug für lange Zeit benutzen.

#### MACHEN SIE SICH MIT IHREM PRODUKT VERTRAUT

1. Startergriff
2. Tankdeckel
3. Fahrradgriff (RBC31SBO)
4. Antriebsschaft (RBC31SBO)
5. Schneidgamitschutz
6. Grasabweiser
7. Nylon-Mutter
8. Messerscheibe
9. Topfscheibe
10. Transportschutz
11. Tri-Arc™ Messer
12. Fadenkopfgehäuse, Oberteil
13. Spule
14. Stoßknopf für Faden Verlängerung
15. Fadenkopfgehäuse, Unterteil
16. Schneidfaden
17. Gashebelarretierung (RBC31SBO)
18. Gasdrücker (RBC31SBO)
19. Zündschalter
20. Gashebelsperre (RBC31SBO)
21. Gurthänger
22. Unterer Schaft (RBC31SESO)
23. Knebelschraube (RBC31SESO)
24. Oberer Schaft (RBC31SESO)
25. Vorderer Haltegriff (RBC31SESO)
26. Gasdrücker (RBC31SESO)

## 27. Gashebelsperre (RBC31SESO)

### SYMBOLS AUF DEM PRODUKT



Sicherheitswarnung



Lesen und verstehen Sie alle Anweisungen, bevor Sie das Produkt benutzen, befolgen Sie alle Warnungen und Sicherheitsanweisungen.



Tragen Sie Augen, Gehör und Kopfschutz.



Tragen Sie rutschfeste Sicherheitsschuhe, wenn Sie dieses Produkt benutzen.



Tragen Sie rutschfeste, schwere Schutzhandschuhe.



Achten Sie auf geschleuderte oder fliegende Objekte. Halten Sie alle Zuschauer, besonders Kinder und Haustiere, mindestens 15 m von dem Arbeitsbereich fern.



Dieses Produkt ist nicht zur Verwendung mit einem sägeartigen Messer geeignet.



Vermeiden Sie zur Verringerung des Verletzungs- oder Beschädigungsrisikos Kontakt mit heißen Oberflächen.



Halten Sie die Hände von den Klingen fern!



Garantierter Schalleistungspegel



Laufstellung



Stellen Sie den Chokehebel auf die "VOLL" Position.



Stellen Sie den Chokehebel auf die "HALB" Position.



Wartezeit 10 Sekunden



**PUMPBALL DRÜCKEN**  
Drücken Sie die Einspritzpumpe 10 Mal.



Ziehen Sie das Starterseil durch.



Drücken Sie zum Starten/Betrieb den Gashebel.



Verriegeln Sie den Gashebel in der Position, indem Sie die Gashebelarretierung drücken.



Verwenden Sie bleifreies Benzin für Autos mit einem Oktanindex von 91 ((R+M)/2) oder höher.



Verwenden Sie 2-Takt-Öl für luftgekühlte Motoren.



Mischen Sie die Treibstoffmischung gründlich und auch jedes Mal vor dem Auffüllen.



Einen kalten Motor per Hand starten



Einen warmen Motor per Hand starten



Einen kalten Motor mit einem Elektrostarter starten



Einen warmen Motor mit Elektrostarter starten



Gerader Schaft: Bei der Montage der Fadenspule auf die Schneidgarnitur sollte dieses Symbol für den Bediener sichtbar sein.



Das Tri-Arc™ Messer ist für dieses Produkt geeignet und ist zum Schneiden von Unkraut und Reben geeignet.



Achten Sie auf den Rückschlag des Messers.



Drehrichtung und maximale Drehzahl des Schaftes für die Schneidgarnitur.



Ziehen: Schnellverschluss



Dieses Gerät entspricht allen gesetzlichen Normen des Landes der Europäischen Union, in dem es gekauft wurde.



EurAsian Konformitätszeichen



Ukrainisches Prüfzeichen

Mit den folgenden Symbolen wird die Bedeutung der verschiedenen Risikostufen, die mit dem Produkt einhergehen, dargestellt.

#### **⚠ GEFAHR**

Weist auf eine unmittelbare gefährliche Situation hin, die, falls nicht vermieden, zu Tod oder ernsthafter Verletzung führen kann.

#### **⚠ WARNUNG**

Weist auf eine mögliche gefährliche Situation hin, die, falls nicht vermieden, zu Tod oder ernsthafter Verletzung führen kann.

#### **⚠ VORSICHT**

Weist auf eine mögliche gefährliche Situation hin, die, falls nicht vermieden, zu einer leichten oder mittleren

Verletzung führen kann.

### **VORSICHT**

Ohne Sicherheitswarnsymbol

Weist auf eine Situation hin, die zu Sachbeschädigungen führen kann.

### **SYMBOLE IN DIESER BEDIENUNGSANLEITUNG**



Hinweis



Warnung



En el diseño de este cortamalezas/cortacésped, se ha dado prioridad absoluta a la seguridad, el rendimiento y la fiabilidad.

### USO PREVISTO

El uso del cortamalezas/cortacésped está destinado exclusivamente a personas adultas que hayan leído y comprendido las instrucciones y las advertencias de este manual, y que puedan considerarse responsables de sus acciones. El producto solo está pensado para utilizarse al aire libre en una zona bien ventilada. Por razones de seguridad, es necesario controlar el producto correctamente utilizando las dos manos.

El producto equipado con el cabezal del cortacésped (y la protección adecuada) está destinado a cortar césped alto, hierbas con mucho tallo y vegetación similar a nivel del suelo o cerca de este. Si se utiliza con la cuchilla Tri-Arc™ (y la protección adecuada), también sirve para cortar arbustos. El producto no está diseñado para equiparse con una hoja de sierra.

El plano de corte debe ser aproximadamente paralelo a la superficie del suelo. Este producto no debería ser utilizado para cortar o recortar setos, arbustos u otro tipo de vegetación cuando el plano de corte no es paralelo a la superficie del suelo.

No lo use para ninguna otra finalidad.

#### ⚠ ADVERTENCIA

Para reducir el riesgo de lesiones, el usuario debe leer y entender el manual del operario antes de usar este producto.

#### ⚠ ADVERTENCIA

No intente poner en funcionamiento el producto hasta que haya leído atentamente todas las instrucciones y normas de seguridad incluidas en este manual y las haya comprendido por completo. Si no las cumple correctamente puede provocar accidentes relacionados con descargas eléctricas, incendios y/o lesiones personales graves. Conserve este manual de utilización y consúltelo a menudo para trabajar con total seguridad e informar a otros posibles usuarios.

#### ⚠ ADVERTENCIA

Este producto no debe ser utilizado por niños o personas con discapacidad física, mental o sensorial. Los niños deben estar adecuadamente supervisados para asegurarse de que no juegan con el producto.

### ALERTA DE SEGURIDAD GENERAL

- Para un funcionamiento seguro, lea y comprenda todas las instrucciones antes de usar el producto. Siga todas las instrucciones de seguridad. El incumplimiento de cualquiera de las instrucciones puede provocar lesiones de gravedad.
- Algunas regiones tienen normas que limitan el uso del producto. Consulte con su autoridad local para obtener información.

- No permita que niños o individuos sin experiencia utilicen este producto.
- Nunca encienda o ponga el motor en funcionamiento en un área cerrada o poco ventilada; la inhalación de los gases de escape puede matar.
- Limpie el área de trabajo antes de cada uso. Retire todos los objetos, como piedras, cristales rotos, uñas, cable o cuerda, que puedan lanzarse o enredarse en el cabezal u hoja.
- Use gafas de protección total para los ojos y oídos al utilizar este producto. Si trabaja en un área donde existe un riesgo de caída de objetos, deberá utilizar casco.
- La protección auditiva puede restringir la capacidad del operador de oír los sonidos de alarma. Hay que tener mucha atención a los peligros potenciales dentro y alrededor del área de trabajo.
- Use pantalones largos pesados, calzado de seguridad antideslizante y guantes. No utilice ropa ancha, pantalones cortos, joyas ni lo utilice con los pies descalzos.
- Recoja el cabello largo para que quede por encima del nivel de los hombros y evitar así que se enmarañe en cualquier pieza móvil.
- Las personas, niños y animales deberán estar a 15 metros del aparato como mínimo. Apague el aparato si alguien entra en el área.
- No utilice este producto si está cansado o si se encuentra bajo la influencia de drogas, alcohol o medicamentos.
- No trabaje con esta herramienta en una zona mal iluminada. El operario necesita de una visión clara y sin restricciones para identificar potenciales peligros.
- Afírmese bien en sus piernas y no extienda demasiado el brazo. No se estire demasiado. Al estirarse para alcanzar algo, puede perder el equilibrio o exponerse a superficies calientes.
- Mantenga las piezas en movimiento alejadas de su cuerpo.
- No toque la zona alrededor del silenciador o cilindro del producto, ya que estas piezas se calientan con el funcionamiento.
- Detenga siempre el motor y deje que se enfríe antes de realizar ningún ajuste.
- No fume cuando mezcle combustible o rellene el depósito de combustible.
- Mezcle y guarde el combustible en un recipiente autorizado para tal efecto.
- Mezcle el combustible al aire libre en una zona sin chispas ni llamas. Limpie con un trapo el combustible que se haya derramado. Aleje la herramienta 9 m del sitio donde ha repostado antes de arrancar el motor.
- Detenga el motor y permita que el producto se enfríe antes de volver a echar combustible.
- Deje enfriar el motor; vacíe el depósito de combustible y fije bien la unidad antes de transportarla en un vehículo.
- Detenga siempre el motor y asegúrese de que todas las partes muebles se detengan antes de:

EN  
FR  
DE  
**ES**  
IT  
NL  
PT  
DA  
SV  
FI  
NO  
RU  
PL  
CS  
HU  
RO  
LV  
LT  
ET  
HR  
SK  
SL  
BG  
UK  
TR

- mantenimiento
- dejar el producto desatendido
- limpieza del producto
- cambiar accesorios
- eliminar obstrucciones
- comprobar si hay daños después de golpear un objeto
- comprobar si hay daños en caso de que el producto empiece a vibrar de un modo anormal
- realizar operaciones de mantenimiento
- retirar la hoja
- instalar la hoja

#### **⚠ ADVERTENCIA**

No utilice nunca medios o accesorios de corte que no especifique Ryobi en este manual. Esto incluye el uso de cadenas giratorias de metal de varias piezas y cuchillas trilladoras. Está demostrado que estos elementos se rompen durante su uso y presentan un alto riesgo de lesión grave para el usuario o las personas que se encuentran cerca.

#### **⚠ ADVERTENCIA**

**Inspección tras caídas u otros impactos**  
Inspeccione cuidadosamente el producto para identificar cualquier problema o daño. Cualquier pieza dañada debe ser sustituida o reparada adecuadamente por un centro de servicio autorizado.

#### **ADVERTENCIAS DE SEGURIDAD DEL**

- Sustituya la cabeza de hilo en caso de que esté rota, astillada o dañada de cualquier otro modo. Asegúrese de que el cabezal está instalado correctamente y bien ajustado. El hecho de no proceder a esta operación podría causar lesiones graves.
- Evite el uso en hierba mojada.
- No camine hacia atrás mientras use este producto.
- Camine, nunca corra.
- La cuchilla pequeña ajustada a la protección adicional de corte está diseñada para cortar la nueva línea extendida en la longitud correcta, para un rendimiento óptimo y seguro. Es muy afilada. No la toque, especialmente cuando limpie el producto.
- Asegúrese siempre de que las aberturas de ventilación estén libres de residuos.
- Antes de su uso y después de algún golpe, compruebe que no hay piezas dañadas. Revise los medios de corte para ver si hay señales de grietas u otros daños. Los interruptores defectuosos o cualquier otra pieza dañada deben ser sustituidos o reparados adecuadamente por un establecimiento de servicio autorizado.
- Asegúrese de que el cabezal de corte está correctamente instalado y ajustado.
- Asegúrese de que todas las protecciones, deflectores, asas, tornillos y sujeciones están firme y

adecuadamente ajustados.

- No modifique el producto en modo alguno. Esto puede aumentar el riesgo de lesionarse usted o a otros.
- Use solo la línea de repuesto del fabricante en el cabezal de corte. No utilice ningún tipo de pieza cortante.
- No utilice nunca el producto sin la protección adicional de corte colocada y en buen estado.
- Agarre firmemente ambas asas cuando corte. Mantenga el cabezal por debajo del nivel de la cintura. Nunca corte con la cabeza de hilo localizada a 76 cm o más por encima del suelo.

#### **ADVERTENCIAS DE SEGURIDAD DEL CORTAMALEZAS**

- Además de las normas anteriores, es conveniente seguir estas instrucciones adicionales al utilizar el producto en modo cortamalezas.
- Utilice guantes de alta protección al instalar o quitar las cuchillas, ya que tienen bordes afilados.
- No intente tocar o detener la cuchilla durante la rotación.
- Una cuchilla en movimiento puede generar graves daños. Controle adecuadamente el producto con ambas manos hasta que la cuchilla haya dejado de girar completamente.
- Sustituya cualquier cuchilla dañada. Compruebe siempre si la lámina está correctamente colocada y sujeta de forma segura antes de cada utilización.
- Utilice sólo hojas Tri-Arc™ de repuesto del fabricante. No utilice ningún tipo de pieza cortante.
- Nunca corte ningún material con un diámetro superior a 13 mm.
- El cortamalezas está equipado con un arnés. Ajuste con cuidado el arnés para que pueda soportar el peso del producto cómodamente en la parte trasera derecha.
- Identifique el mecanismo de liberación rápida y practique utilizándolo antes de empezar a usar la máquina. Su uso correcto puede evitar lesiones graves en caso de emergencia. No use ropa adicional sobre el arnés, ya que podría limitar el acceso al mecanismo de liberación rápida.
- Cubra la lámina con la debida protección antes de guardarla, o durante el transporte de la misma. Retire siempre la protección de la cuchilla antes de utilizar la unidad. Se no se retirase la protección de la cuchilla, ésta podría salir despedida cuando la cuchilla comience a girar.
- Tenga extrema precaución cuando utilice la cuchilla con el aparato. La cuchilla giratoria puede rebotar al entrar en contacto con algo que no puede cortar. Este contacto puede hacer que la cuchilla pare por un instante, y de repente "impulse" la unidad lejos del objeto con el que chocó. Esta reacción puede ser suficientemente violenta y causar la pérdida de control de la unidad, por parte del operador. Puede producirse un rebote inesperado si la cuchilla se engancha, se detiene o se tuerce. Es más posible que esto ocurra en áreas en las que es difícil ver el material que se

está cortando.

- Para cortar de forma fácil y segura acérquese a las hierbas que corta de derecha a izquierda. En caso de que se encuentre con un objeto inesperado o material leñoso esto podría minimizar el contragolpe de la cuchilla. Para controlar este aparato deben utilizarse ambas manos.

## MONTAJE

### DESEMBALAJE

Véase la página 181-182.

Es necesario montar este producto.

- Retire con precaución la herramienta y los accesorios de la caja con el embalaje. Asegúrese de que están incluidos todos los elementos que figuran en la lista del paquete de embalaje.
- Examine atentamente la herramienta para cerciorarse de que nada se haya roto o deteriorado durante el transporte.

### ⚠ ADVERTENCIA

En caso de que se dañe o falte alguna pieza, no utilice este producto hasta que se hayan reemplazado las piezas. No prestar atención a esta advertencia podría resultar en lesiones personales.

### AJUSTE DE LA CORREA PARA COLGAR

Véase la página 185/189.

Ajuste la correa para colgar a una posición cómoda y equilibrada de forma que la cuchilla o el accesorio de corte queden suspendidos a entre 100 y 300 mm de la superficie del suelo.

### USO DEL ARNÉS

Véase la página 185/189.

**OBSERVACIÓN:** Utilice siempre el arnés con el producto.

**OBSERVACIÓN:** Para extraer rápidamente el producto del arnés, tire con fuerza de la pestaña de extracción rápida.

### USO DEL CABEZAL CORTACÉSPED REELEASY™ Y LA CUCHILLA TRI-ARC™

- Cuando se utilice el cabezal cortacésped ReelEasy™, el deflector de césped debe estar acoplado a la protección de la cuchilla. (Véase la página 203).
- Cuando se utiliza la hoja Tri-Arc™, el deflector de hierba deberá retirarse del protector de la hoja. (Véase la página 202).

### ⚠ ADVERTENCIA

Retire siempre el pasador de bloqueo del eje de engranajes antes de encender el motor (consulte el paso 185 en la página 10)

## UTILIZACIÓN

### COMBUSTIBLE Y REPOSTAJE

Véase la página 184.

- Maneje siempre con cuidado el combustible, que es altamente inflamable.
- Este producto utiliza un motor de dos tiempos y consume una mezcla de gasolina y aceite de dos tiempos. Mezcle gasolina sin plomo y aceite para motores de dos tiempos en un contenedor de gasolina homologado y limpio.
- El motor está certificado para funcionar con gasolina sin plomo para uso de automoción con un octanaje mínimo de 91  $([R + M] / 2)$ .
- No utilice ninguna clase de mezcla de gasolina y aceite que se comercialice en las estaciones de servicio.
- Utilice exclusivamente aceite de síntesis para motores de 2 tiempos. No use lubricante para automóviles o lubricantes para motores fuera de borda de 2 tiempos.
- Mezcle un 2% de lubricante sintético en 2 tiempos en la gasolina. Lo que equivale a una proporción de 50:1.
- Mezcle perfectamente el combustible y vuélvalo a mezclar antes de repostar.
- Mezcle pequeñas cantidades. No mezcle cantidades que no vaya a consumir en un período de 30 días. Le recomendamos que utilice un aceite de síntesis para motores de 2 tiempos con estabilizador de combustible.

### LLENADO DEL DEPÓSITO

- Limpie la superficie que rodea el tapón de combustible para evitar la contaminación.
- Afloje lentamente el tapón de combustible para dejar salir la presión y evitar pérdidas de combustible.
- Vierta la mezcla de combustible con cuidado en el depósito. Evite derramar la mezcla.
- Antes de volver a poner el tapón, limpie e inspeccione la junta de estanqueidad.
- Vuelva a poner el tapón inmediatamente y apriételo a mano. Limpie con un trapo el combustible que se haya derramado. Aléjese 9 m (30 pies) del lugar de repostaje antes de arrancar el motor.

### ARRANCAR EL MOTOR CON UN ENCENDIDO ELÉCTRICO (OPCIONAL):

Véase la página 196-201.

### ⚠ ADVERTENCIA

Utilice exclusivamente el arranque eléctrico Ryobi OES18. El uso de cualquier otro arranque podría dañar el motor y provocar graves daños personales.

### ⚠ ADVERTENCIA

Antes de utilizar el arranque eléctrico para encender el producto, lea y entienda completamente el manual de funcionamiento del arranque eléctrico OES18 para evitar un funcionamiento incorrecto y graves daños personales.

- Sujete el eje con aislamiento con la mano izquierda y utilice la mano derecha para colocar el eje del puente del dispositivo de arranque en el orificio del eje del motor. De lo contrario, el motor no funcionará.

- Asegúrese de que la pieza de encendido queda correctamente colocada.

**OBSERVACIÓN:** El arranque eléctrico está equipado con una protección de seguridad. No apriete y mantenga el botón de cambio al colocar el eje del arranque eléctrico en el orificio del eje en el motor. El arranque no girará si el arranque eléctrico no está correctamente colocado.

### FUNCIONAMIENTO DEL CORTACÉSPED

Véase la página 189.

**RBC31SESO:** Sujete el producto con la mano derecha en el manillar posterior y la mano izquierda en el manillar frontal.

**RBC31SBO:** Sujete el producto con la mano derecha en la empuñadura del gatillo y la mano izquierda en la empuñadura izquierda.

- Agarre la herramienta firmemente con ambas manos mientras esté en funcionamiento.
- El producto debería sujetarse en una posición cómoda con la empuñadura del gatillo a la altura de la cadera.
- Utilice siempre el producto a todo gas. El corte prolongado con aceleración parcial hará que chorree lubricante del silenciador.
- Corte la hierba alta de arriba a abajo para evitar que la hierba se enrolle alrededor del alojamiento del eje y el cabezal de hilo, lo que puede causar daños por sobrecalentamiento.
- Si queda atrapado césped o suciedad alrededor del sistema de corte, detenga el motor. Utilice guantes de trabajo para evitar lesiones provocadas por las cuchillas afiladas y retire con cuidado la suciedad.
- No aplaste el césped al cortarlo. Muévase hacia los lados. Avance un poco al final de cada barrido.
- Mantenga el producto inclinado hacia el área de corte.
- Evite los entornos de riesgo.
- Utilice la punta del hilo para cortar; no fuerce la cabeza para hilo de corte en la hierba no cortada.
- Las vallas de madera o alambre provocan un desgaste excesivo del hilo, incluso rotura. Las paredes de piedra y ladrillo, los bordillos y la madera pueden desgastar rápidamente el hilo.
- Evite los árboles y arbustos. La corteza de árbol, las molduras de madera, los frisos y las estacas de las vallas pueden ser dañados fácilmente por el hilo.

### MANEJO DE LA DESBROZADORA

Véase la página 192.

Para reducir el riesgo de retroceso: No aplaste el material que se va a cortar. Desplácese de derecha a izquierda en barridos regulares. Avance un poco al principio de cada nuevo barrido.

**RBC31SESO:** Sujete el producto con la mano derecha en el manillar posterior y la mano izquierda en el manillar frontal.

**RBC31SBO:** Sujete el producto con la mano derecha en la empuñadura del gatillo y la mano izquierda en la empuñadura izquierda.

- El producto debería sujetarse en una posición cómoda con la empuñadura del gatillo a la altura de la cadera.

- Sujete el asa y apóyese en ambos pies. Colóquese de manera que el retroceso de la cuchilla de corte no le haga perder el equilibrio.

- Ajuste el soporte de la correa a una posición cómoda.
- Tenga extrema precaución cuando utilice la cuchilla con el aparato. La cuchilla giratoria puede rebotar al entrar en contacto con algo que no puede cortar. Este contacto puede hacer que la cuchilla pare por un instante, y de repente "impulsa" la unidad lejos del objeto con el que chocó. Esta reacción puede ser suficientemente violenta y causar la pérdida de control de la unidad, por parte del operador. Puede producirse un rebote inesperado si la cuchilla se engancha, se detiene o se tuerce. Es más posible que esto ocurra en áreas en las que es difícil ver el material que se está cortando. Para cortar de forma fácil y segura acérquese a las hierbas que corta de derecha a izquierda. **En caso de que se encuentre con un objeto inesperado o material leñoso esto podría minimizar el contragolpe de la cuchilla.**

### TRANSPORTE Y ALMACENAMIENTO

- Pare el producto y deje que se enfríe antes de guardarla o transportarla.
- Limpie todo el material extraño que pueda permanecer en el producto.
- Si hay una hoja de corte, cúbrala con el protector de hoja.
- Vacíe completamente el depósito de combustible en un contenedor de gasolina homologado. Recuerde sustituir y apretar el tapón de combustible correctamente.
- Deje funcionar el motor hasta que se detenga. Esto eliminará todo el combustible que puede quedar viejo y deje barniz y goma en el sistema de combustible.
- Guarde en una zona seca y bien ventilada, a la que no puedan acceder los niños. Evite el contacto con agentes corrosivos tales como productos químicos de jardinería o sales descongelantes. No almacenar al aire libre.
- Para transportar el producto, sujételo de modo que no se mueva ni se caiga para evitar lesiones personales o daños al producto.
- No lleve ni transporte el producto mientras esté funcionando.
- Respete toda la legislación nacional y local sobre seguridad para el almacenamiento y la manipulación de la gasolina. Utilice el combustible sobrante en otros equipos con motor de dos tiempos.

### A CORTO PLAZO

- Pare el motor y deje que se enfríe antes de guardarlo.
- Limpie todo el material extraño que pueda permanecer en el producto.
- Guarde en una zona seca y bien ventilada, a la que no puedan acceder los niños.
- Evite el contacto con agentes corrosivos tales como productos químicos de jardinería o sales descongelantes.
- No almacenar al aire libre.

## MANTENIMIENTO

### ⚠ ADVERTENCIA

Utilice sólo piezas y accesorios de recambio originales del fabricante. Si no lo hace podría ocurrir un mal funcionamiento, podrían producirse daños o podría quedar anulada la garantía.

### ⚠ ADVERTENCIA

El accesorio de recorte no debe girar en el vacío. Si este requisito no se cumple, deberá ajustar el embrague o la herramienta deberá ser revisada urgentemente por un técnico cualificado.

### ⚠ ADVERTENCIA

Una tapa de combustible que presente fugas constituye un peligro de incendio y deberá ser reemplazada de inmediato.

### ⚠ ADVERTENCIA

Recuerde que la tuerca de la cuchilla es una tuerca Nyloc, que se debe utilizar únicamente para un solo montaje. No reutilice la tuerca Nyloc. Para una instalación/reinstalación, utilice una tuerca Nyloc nueva. El incumplimiento de cualquiera de las instrucciones puede provocar lesiones de gravedad.

### ⚠ ADVERTENCIA

Asegúrese de que el par de la tuerca sea  $\geq 25$  Nm al montar la cuchilla. El incumplimiento de cualquiera de las instrucciones puede provocar lesiones de gravedad. (consulte el paso 4 en la página 202)

- Detenga siempre el motor y deje que se enfríe antes de hacer mantenimiento.
- Usted puede realizar los ajustes y reparaciones descritos en este manual del usuario. Para otras reparaciones, diríjase a un agente técnico autorizado.
- Las consecuencias de un mantenimiento inadecuado pueden incluir un exceso de depósitos de carbono que causarán la pérdida de rendimiento y fugas de residuos aceitosos de color negro desde el silenciador.
- Para sustituir el hilo utilice solo hilo con filamento de nylon del diámetro descrito en la tabla de características de este manual.
- Después de extender un nuevo hilo de corte, asegúrese siempre de que el producto está en su posición de funcionamiento normal antes de encenderla. Limpiar el producto con un paño suave seco después de cada uso.
- Asegúrese de que todas las protecciones, correas, deflectores y asas se encuentran firmemente sujetos para evitar el riesgo de lesiones personales.

## PROGRAMA DE MANTENIMIENTO

Compruebe que la fijación está totalmente apretada	Antes de cada uso
Compruebe: El accesorio de recorte no debe girar en el vacío. <sup>2</sup>	Antes de cada uso
Compruebe la manguera de combustible	Antes de cada uso
Compruebe todas las conexiones de manguera	Antes de cada uso
Limpie el depósito de combustible y el filtro <sup>1</sup>	Cada 3 meses o 50 horas de funcionamiento
Reemplazo del filtro de combustible <sup>1</sup>	Cada año o al cabo de 300 horas de funcionamiento
Compruebe que la tapa de combustible o el respiradero de vapor del depósito de combustible (si lo incluye) no presenten fugas	Antes de cada uso
Limpie el filtro de aire.	Cada 25 horas
Cambie el filtro del aire	Cada año o al cabo de 300 horas de funcionamiento
Limpie o ajuste la bujía	Cada 6 meses o 100 horas de funcionamiento
Reemplazo del filtro de combustible	Cada año o al cabo de 300 horas de funcionamiento
Limpie el protector contra chispas	Cada 25 horas
Sustitúyalo por un nuevo parachispas.	Cada año o al cabo de 300 horas de funcionamiento
Limpieza del orificio de escape y del silenciador	Cada 25 horas

<sup>1</sup> Estas tareas deben ser efectuadas solo por el centro de servicio cualificado.

<sup>2</sup> Si no se cumple este requisito, póngase en contacto con un centro de servicio autorizado para someterlo a reparación o ajuste.

### RIESGOS RESIDUALES:

Incluso cuando se utiliza el producto según las instrucciones, sigue siendo imposible eliminar por completo ciertos factores de riesgo residuales. Los siguientes peligros pueden surgir en el uso y el operador debe prestar especial atención para evitar lo siguiente:

- Contacto con los medos de recorte.
  - Asegúrese de que los protectores de las cuchillas están colocados cuando no se use el producto. Mantenga las manos y los pies apartados de las láminas en todas las circunstancias.
- Lesiones por vibración.
  - Utilice siempre la herramienta adecuada para el trabajo, utilice los mangos pertinentes y limite el

tiempo de trabajo y de exposición.

- Daños auditivos causados por la exposición al ruido.
  - Use protección para los oídos y limite el tiempo de exposición.
- Lesiones oculares provocadas por detritos proyectados.
  - Use siempre protección para los ojos.
- Riesgo de caída de objetos
  - Lleve la cabeza protegida si existe el riesgo de que caiga algún objeto.

Se puede producir un retroceso al usar el cortamalezas. Asegúrese de que tiene un control adecuado utilizando ambas manos sobre las asas designadas. Lea y cumpla las indicaciones de este manual para reducir el riesgo de retroceso.

### REDUCCIÓN DEL RIESGO

Se ha informado de que las vibraciones de las herramientas de mano puede contribuir a una condición llamada síndrome de Raynaud en ciertos individuos. Los síntomas pueden incluir hormigueo, entorpecimiento y decoloración de los dedos, generalmente aparentes cuando tiene lugar una exposición al frío. Se considera que los factores hereditarios, exposición al frío y a la humedad, dieta, tabaquismo y prácticas de trabajo contribuyen al desarrollo de estos síntomas. Existen medidas que pueden ser tomadas por el operador para reducir los efectos de vibración:

- Mantenga su cuerpo caliente durante el tiempo frío. Al manipular el producto, utilice guantes para mantener las manos y las muñecas calientes. Hay informes que indican que el tiempo frío es un gran factor que contribuye al síndrome de Raynaud.
- Después de cada período de funcionamiento, realice ejercicios para aumentar la circulación sanguínea.
- Asegúrese de que la máquina se encuentra correctamente situada en la posición de trabajo recomendada antes de arrancarla.
- Limite la cantidad de exposición por día. Haga pausas de trabajo frecuentes.

Si siente alguno de los síntomas de esta enfermedad, interrumpa inmediatamente el uso y consulte a su médico estos síntomas.

### ⚠ ADVERTENCIA

El uso prolongado de una herramienta puede causar o agravar lesiones. Al utilizar cualquier herramienta durante períodos prolongados asegúrese de tomar descansos regulares.

### CONOZCA SU PRODUCTO

1. Tirador del arrancador
2. Tapa del depósito de combustible
3. RBC31SBO: Manillar
4. RBC31SBO: Eje de accionamiento
5. Protección de la cuchilla
6. Deflector de hierba
7. Tuerca de nailon
8. Arandela de la cuchilla
9. Arandela cóncava

10. Protector de la cuchilla
11. Hoja Tri-Arc™
12. Alojamiento del cabezal de hilo superior
13. Bobina
14. Perilla de golpes
15. Alojamiento del cabezal de hilo inferior
16. Hilo de corte
17. RBC31SBO: Bloqueo de seguridad del estrangulador
18. RBC31SBO: Gatillo del acelerador
19. Interruptor de encendido
20. RBC31SBO: Bloqueo del estrangulador
21. Asa de la correa
22. RBC31SESO: Eje inferior
23. RBC31SESO: Botón
24. RBC31SESO: Eje superior
25. RBC31SESO: Mango delantero
26. RBC31SESO: Gatillo del acelerador
27. RBC31SESO: Bloqueo del estrangulador

### SÍMBOLOS EN EL PRODUCTO



Advertencia



Lea y comprenda todas las instrucciones antes de manipular el producto, respete las advertencias y las instrucciones de seguridad.



Póngase protección para los ojos, los oídos y la cabeza.



Utilice calzado de seguridad antideslizante cuando utilice este producto.



Use guantes de trabajo resistentes, antideslizantes.



Tenga cuidado con los objetos volátiles o lanzados. Mantenga a todos los espectadores, especialmente a los niños y las mascotas, por lo menos a 15 metros de la zona de trabajo.



Este producto no está preparada para su uso con una hoja de tipo sierra dentada.



Para reducir el riesgo de lesiones o daños, evite el contacto con cualquier superficie caliente.



Mantenga las manos alejadas de las hojas.



Nivel de potencia acústica garantizado



Posición de funcionamiento



Coloque la palanca del estrangulador en posición "FULL".



Coloque la palanca del estrangulador en la posición "HALF".



Tiempo de espera 10 segundos



**CEBAR**  
Pulse el cebador 10 veces.



Tire de la cuerda de arranque.



Deslice el gatillo del acelerador para arrancar.



Mantenga el acelerador en la posición pulsando el botón de bloqueo del acelerador.



Utilice gasolina sin plomo para automóviles con un índice de octano de 91 ((R+M)/2) o superior.



Utilice aceite de 2 tiempos para motores refrigerados por aire.



Mezcle bien la mezcla de combustible y también cada vez que vaya a rellenar.



Encender un motor frío a mano



Encender un motor caliente a mano



Encender un motor frío con arranque eléctrico:



Encender un motor caliente con arranque eléctrico



Símbolo de eje recto: Al instalar la bobina de hijo en el medio de corte, el usuario debe ver este símbolo.



La cuchilla Tri-Arc™ es apropiada para este producto y adecuada para cortar hierbas con mucho tallo y vides



Tenga precaución con el impulso de la cuchilla.



Dirección de rotación y velocidad máxima del eje para el accesorio de corte.



Tire  
Pestaña de liberación rápida  
Esta herramienta responde a todas las normas reglamentarias del país de la UE donde se ha comprado.



Certificado EAC de conformidad



Marca de conformidad ucraniana

### PELIGRO

Indica una situación potencialmente peligrosa que, de no evitarse, puede ocasionar la muerte o heridas de gravedad.

### ADVERTENCIA

Indica una situación peligrosa que, de no evitarse, puede ocasionar la muerte o heridas de gravedad.

### ADVERTENCIA

Indica una situación potencialmente peligrosa que, de no evitarse, puede ocasionar heridas leves.

### ADVERTENCIA

Sin símbolo de alerta de seguridad

Indica una situación que puede causar daños en las cosas.

## SÍMBOLOS EN ESTE MANUAL



Nota



Advertencia

EN  
FR  
DE  
**ES**  
IT  
NL  
PT  
DA  
SV  
FI  
NO  
RU  
PL  
CS  
HU  
RO  
LV  
LT  
ET  
HR  
SL  
SK  
BG  
UK  
TR

Los siguientes símbolos y palabras detallan los niveles de cuidado necesarios para usar este producto.

Il design del nostro decespugliatore è stato progettato per garantire sicurezza, prestazioni e affidabilità.

#### UTILIZZO RACCOMANDATO

Il decespugliatore è destinato ad essere utilizzato solo da adulti che hanno letto e compreso le istruzioni e le avvertenze contenute in questo manuale e possono essere considerati responsabili delle loro azioni. Prodotto adatto solo per essere utilizzato all'esterno in aree ben ventilate. Per ragioni di sicurezza, l'utensile deve essere adeguatamente controllato utilizzando sempre due mani.

Il prodotto è dotato di una testina decespugliatrice e della relativa protezione ed è pensato per tagliare l'erba lunga, le erbacce spesse e la vegetazione simile a livello del terreno. Quando sono installate la lama Tri-Arc™ e la relativa protezione, il prodotto può anche essere utilizzato per tagliare cespugli. Il prodotto non è pensato per essere montato con una lama da sega.

Il piano di taglio dovrebbe essere approssimativamente parallelo alla superficie del terreno. Il prodotto non deve essere utilizzato per tagliare o sfrondare siepi, cespugli o altra vegetazione in cui il piano di taglio non è parallelo alla superficie del terreno.

Non utilizzare per altri scopi.

#### ⚠ AVVERTENZA

Per ridurre il rischio di incidenti, leggere attentamente e comprendere le istruzioni contenute nel presente manuale prima di mettere in funzione l'apparecchio.

#### ⚠ AVVERTENZA

Non utilizzare il prodotto senza aver prima letto accuratamente e compreso bene tutte le istruzioni e le avvertenze di sicurezza contenute all'interno di questo manuale. La mancata osservanza delle seguenti regole potrà causare scosse elettriche, incendi e/o gravi lesioni personali. Conservare questo manuale e consultarlo regolarmente per lavorare in condizioni di massima sicurezza ed informare altri eventuali utilizzatori.

#### ⚠ AVVERTENZA

Prodotto non inteso per essere utilizzato da bambini o persone con ridotte capacità fisiche, mentali o sensoriali. Supervisionare adeguatamente i bambini per assicurarsi che non giochino con il prodotto.

#### AVVERTENZE GENERALI DI SICUREZZA

- Per un funzionamento sicuro, leggere e comprendere tutte le istruzioni prima di utilizzare il prodotto. Seguire tutte le istruzioni di sicurezza. La mancata osservanza di tutte le istruzioni può portare a gravi infortuni.
- Alcune regioni hanno norme che limitano l'utilizzo del prodotto. Rivolgersi alle autorità locali per eventuali consigli.
- Non permettere a bambini o a persone non qualificate di utilizzare questo prodotto.
- Non avviare il motore all'interno o in una zona poco ventilata; respirare fumi di scarico può uccidere.
- Pulire l'area di lavoro prima di ogni utilizzo. Rimuovere tutti gli oggetti come pietre, vetri rotti, chiodi, fili o stringhe, che possono essere lanciati o impigliati sulla testina a filo o la lama.
- Indossare occhiali e cuffie di protezione mentre si utilizza questo prodotto. Nel caso in cui si sia lavorando in un'area dove vi sia rischio di caduta di oggetti, indossare sempre una protezione per la testa.
- Le cuffie di protezione potranno limitare la capacità dell'operatore di sentire avvertimenti e segnalazioni sonore. Fare particolare attenzione a potenziali rischi attorno e all'interno dell'area di lavoro.
- Indossare pantaloni lunghi e resistenti, scarpe antiscivolo e guanti. Non indossare abbigliamento con parti svolazzanti, pantaloni corti, gioielli di ogni genere né utilizzare il dispositivo a piedi scalzi.
- Assicurare i capelli lunghi all'altezza delle spalle per evitare che rimangano impigliati nelle parti in movimento.
- Tenere eventuali osservatori, bambini e animali ad almeno 15 m di distanza. Arrestare il prodotto nel caso in cui eventuali osservatori entrino nell'area di lavoro.
- Non mettere in funzione il prodotto se stanchi, malati o sotto l'influenza di alcool, droghe e medicinali.
- Norme di sicurezza generali non utilizzare questo apparecchio in una zona scarsamente illuminata. L'operatore dovrà avere una visuale libera e non limitata per identificare potenziali rischi.
- Rimanere bene in equilibrio sulle gambe e non distendere troppo lontano le braccia. Non protendersi. Protendersi potrà far perdere l'equilibrio o esporre l'operatore al contatto con superfici calde.
- Tenere tutte le parti del proprio corpo lontane dalle parti in movimento.
- Non toccare la parte intorno al silenziatore o al cilindro del prodotto dal momento che con l'uso si surriscaldano.
- Arrestare sempre il motore e lasciarlo raffreddare prima di effettuare qualsiasi regolazione.
- Non fumare mentre si miscela carburante o si riempie il serbatoio di carburante.
- Miscelare e riporre il carburante in un contenitore idoneo.
- Miscelare il carburante all'aperto, in assenza di scintille o fiamme. Ripulire qualsiasi versamento. Spostare di 9 m dal luogo di rifornimento carburante prima di avviare il motore.
- Prima del rifornimento, arrestare il motore e lasciare raffreddare il prodotto.
- Lasciare che il motore si raffreddi; svuotare il serbatoio del carburante e assicurare l'unità prima di trasportarla in un veicolo.
- Arrestare sempre il motore per assicurarsi che tutte le parti in movimento si siano fermate prima di:
  - assistenza
  - Lasciare il prodotto incustodito
  - Pulizia del prodotto
  - Cambio accessori
  - rimozione dei blocchi



- Controllare eventuali danni dopo aver colpito un oggetto
- Controllare eventuali danni se il prodotto inizia a vibrare eccessivamente
- Svolgere le operazioni di manutenzione
- rimozione della lama
- montaggio della lama

#### **⚠ AVVERTENZA**

Non usare mezzi di taglio o accessori non specificati da Ryobi in questo manuale. Questo comprende l'uso di lame a cerniera in più parti e lame battenti. Questi elementi sono noti per rompersi durante l'uso e presentano un elevato rischio di gravi lesioni all'operatore o ai presenti.

#### **⚠ AVVERTENZA**

Controllare l'utensile dopo che è caduto o dopo altri tipi di impatti

Ispezionare il prodotto e identificare eventuali difetti o danni. Riparare eventuali parti danneggiate o farle sostituire da un centro servizi autorizzato.

#### **AVVERTENZE DI SICUREZZA**

- Sostituire la testina a filo se rotta, scheggiata o danneggiata. Assicurarsi che la testina a filo sia correttamente montata e adeguatamente fissata. La non osservanza di tale norma potrà causare gravi lesioni.
- Evitare di utilizzare sull'erba bagnata.
- Non camminare all'indietro quando si utilizza l'utensile.
- Camminare, non correre mai.
- La lama piccola montata sull'accessorio paralama è progettata per tagliare il nuovo filo esteso alla lunghezza corretta per prestazioni sicure e ottimali. È molto affilata: non toccarla, specialmente durante la pulizia del prodotto.
- Assicurarsi che le griglie di ventilazione siano pulite e rimuovere eventuali materiali di scarto rimasti intrappolati.
- Prima dell'utilizzo e dopo ogni impatto, controllare che non vi siano parti danneggiate. Esaminare le parti di taglio per individuare eventuali segni di rotture o altri danni. Un interruttore difettoso o una qualsiasi parte danneggiata dovranno essere riparate o sostituite da un centro servizi autorizzato.
- Assicurarsi che la testina sia installata e assicurata correttamente.
- Assicurarsi che i dispositivi di protezione, le cinghie, i deflettori, i bulloni e le impugnature siano correttamente installati e saldamente fissati.
- Non modificare in alcun modo il prodotto. Ciò potrebbe aumentare il rischio di lesioni su se stessi e sugli altri.
- Utilizzare solo il filo di ricambio del produttore nella testina di taglio. Non utilizzare alcun altro accessorio di taglio.
- Non utilizzare in alcun caso l'utensile se l'accessorio paralama non è in posizione o in buono stato.
- Durante l'uso, tenere saldamente l'apparecchiatura afferrandone entrambe le impugnature. Tenere la testina a filo al di sotto della propria cintura. Non procedere con le operazioni di taglio se la testina a filo è situata a un'altezza pari o superiore a 76 cm dal terreno.

#### **AVVERTENZE DI SICUREZZA DEL DECESPUGLIATORE**

- Oltre alle suddette regole, rispettate le seguenti istruzioni aggiuntive quando si utilizza l'utensile come decespugliatore.
- Utilizzare guanti da lavoro mentre si montano o rimuovono le lame. Le lame sono molto affilate.
- Non tentare di toccare o arrestare le lame mentre sono in movimento.
- Il contatto con una lama in movimento può causare gravi lesioni. Mantenere il controllo fino a che le lame non abbiano smesso di ruotare completamente.
- Sostituire le lame danneggiate. Assicurarsi sempre che la lama sia stata correttamente inserita e correttamente collegata prima di ogni utilizzo.
- Utilizzare la lama Tri-Arc™ di ricambio fornita dalla ditta produttrice. Non utilizzare alcun altro accessorio di taglio.
- Non tagliare mai materiale con diametro superiore a 13 mm.
- Il decespugliatore può essere fornito di cinghia da spalla. Regolare con cura la cinghia affinché renda confortevole il sostentamento del peso del dispositivo sul lato destro dell'operatore.
- Identificare il meccanismo a rilascio veloce e fare pratica nell'utilizzarlo prima di mettere in funzione la macchina. L'utilizzo corretto può prevenire gravi lesioni in caso d'emergenza. Non indossare mai altri capi di abbigliamento sulla cinghia in caso contrario limitare l'accesso al meccanismo a rilascio veloce.
- Coprire la lama con il coprilame prima di riporre l'unità o durante il trasporto. Rimuovere sempre il proteggi lame prima di utilizzare l'unità. Se non viene rimosso, il proteggi lame potrà venire scagliato contro l'operatore nel momento in cui la lama inizierà a ruotare.
- Fare estrema attenzione quando si utilizza la lama con il prodotto. La lama potrà subire una spinta all'indietro se mentre ruota entra in contatto con del materiale che non riesce a tagliare. Il contatto potrà arrestare la lama per un istante e quindi "far scattare" l'unità dall'oggetto colpito. Questa reazione può essere abbastanza violenta da causare all'operatore una perdita di controllo dell'unità. La lama potrà rimbalzare senza avvertenze se scatta, si blocca o rimane impigliata. Ciò si verificherà con più probabilità in aree dove si trova del materiale difficile da tagliare.
- Per ragioni di sicurezza e per una maggiore facilità nel taglio, tagliare l'erba da destra a sinistra. La spinta all'indietro della lama potrà minimizzarsi se si incontra un oggetto inaspettato o del materiale legnoso. Utilizzare entrambe le mani per controllare questo

dispositivo.

## MONTAGGIO

### RIMUOVERE L'INVOLUCRO *Vedere*

*pagina 181-182.*

Questo prodotto deve essere montato.

- Estrarre con cautela l'apparecchio e tutti gli accessori dal cartone di imballaggio. Assicurarsi che tutte le voci indicate nella lista siano incluse.
- Controllare attentamente l'apparecchio ed accertarsi che nel corso del trasporto non si sia rotto o danneggiato nulla.

### AVVERTENZA

Nel caso in cui un componente manchi o sia danneggiato, non tentare di utilizzare l'apparecchio prima di averlo sostituito. La mancata osservanza di queste avvertenze potrà causare gravi lesioni personali.

### REGOLAZIONE DEL FERMO DELL'IMBRACATURA

*Vedere pagina 185/189.*

Regolare il fermo dell'imbracatura a una posizione comoda ed equilibrata alla quale la lama o l'accessorio di taglio restino sospesi fra 100 e 300 mm sopra la superficie del terreno.

### UTILIZZO DELL'IMBRACATURA

*Vedere pagina 185/189.*

**NOTA:** Utilizzare sempre la cinghia da spalla con questo prodotto.

**NOTA:** Per rilasciare rapidamente l'utensile dalla cinghia, tirare la linguetta a rilascio rapido.

### UTILIZZO DELLA TESTA TOSAERBA REELEASY™ E DELLA LAMA TRI-ARC™

- Quando si utilizza la testa tosaerba ReelEasy™, sulla protezione della lama dev'essere montato il deflettore dell'erba. (*Vedere pagina 203*).
- Quando si utilizza la lama Tri-Arc™, il deflettore erba deve essere rimosso dal paralame. (*Vedere pagina 202*).

### AVVERTENZA

Togliere sempre la spina di blocco dell'albero motore prima di avviare il motore (*vedere pagina 185, passaggio 4*)

## UTILIZZO

### CARBURANTE E RIFORNIMENTO

*Vedere pagina 184.*

- Manipolare il carburante con attenzione, altamente infiammabile.
- Questo prodotto è dotato di un motore a 2 tempi e richiede una miscela adeguata di benzina e olio. Premiscelare benzina verde con olio per motori a 2 tempi in una tanica pulita idonea per la benzina.
- Questo motore è omologato per il funzionamento con

benzina verde intesa per l'uso negli autoveicoli con un grado di ottani pari a 91 ((R + M) / 2) o superiore.

- Non utilizzare altri tipi di miscela benzina/olio forniti dai distributori.
- Utilizzare esclusivamente olio di sintesi per motori a 2 tempi. Non utilizzare olio motore per autovetture né olio per 2 tempi per fuoribordo.
- Mescolare un 2% di lubrificante sintetico a 2 tempi con il carburante. Un rapporto di 50:1.
- Mescolare completamente il combustibile e ripetere l'operazione ogni volta prima di riempire il serbatoio.
- Mescolerle in piccole quantità. Quanto basta per un periodo di utilizzo entro 30 giorni. Si raccomanda di utilizzare un olio di sintesi per motori a 2 tempi contenente uno stabilizzatore per combustibile.

### RIEMPIMENTO DEL SERBATOIO

- Pulire la superficie circostante il tappo del serbatoio per impedire contaminazioni.
- Aprire lentamente il tappo del serbatoio per sfatare la pressione e impedire che il carburante possa fuoriuscire dal perimetro del tappo.
- Versare la miscela nel serbatoio prestando la massima attenzione. Evitare versamenti.
- Prima di richiudere il tappo, pulire ed ispezionare la guarnizione.
- Chiudere immediatamente il tappo del serbatoio a mano. Ripulire qualsiasi versamento. Spostarsi a 9 m (30 piedi) dalla zona di ricarica carburante prima di avviare il motore.

### AVVIARE IL MOTORE CON AVVIAMENTO ELETTRICO (OPZIONALE):

*Vedere le pagine 196-201.*

### AVVERTENZA

Utilizzare solo il dispositivo di avviamento elettrico Ryobi OES18. L'utilizzo di un qualsiasi altro motore di avviamento potrebbe danneggiare il motore e causare gravi lesioni.

### AVVERTENZA

Prima di utilizzare il dispositivo di avviamento elettrico per avviare l'utensile, leggere e comprendere completamente il manuale di istruzioni del dispositivo di avviamento elettrico OES18 per evitare un uso improprio e gravi lesioni alla persona.

- Tenere l'albero isolato con la mano sinistra e usare la destra per inserire la punta del modulo di accensione nel foro corrispondente sul motore. In caso contrario, il motore non partirà.
- Assicurarsi che la punta dell'albero sia saldamente inserita.

**NOTA:** Il dispositivo di avviamento elettrico è dotato di blocco di sicurezza. Non tenere premuto l'interruttore mentre si inserisce l'albero del dispositivo di avviamento elettrico nel foro dell'albero sul motore. Il motore di

avviamento non si accende se il dispositivo di avviamento elettrico non è inserito correttamente.

### UTILIZZO DEL TOSAERBA

Vedere pagina 189.

**RBC31SESO:** Mantenere il prodotto con la mano destra sulla maniglia posteriore e la mano sinistra sulla maniglia anteriore.

**RBC31SBO:** Reggere il prodotto con la mano destra sull'impugnatura a grilletto e con la mano sinistra sull'impugnatura sinistra.

- Mantenere sempre una presa salda durante le operazioni.
- L'operatore dovrà reggere il prodotto in una posizione comoda con l'impugnatura a grilletto ad altezza del fianco.
- Mettere sempre in funzione il motore a pieno regime. Operazioni di taglio prolungate a velocità parziale causeranno gocciolamenti di lubrificante dal silenziatore.
- Tagliare l'erba alta con un movimento dall'alto verso il basso per prevenire che l'erba si arrotoli attorno alla sede dell'albero e alla testina a filo il che potrà causare danni da surriscaldamento.
- Se erba o detriti rimangono incastrati nei componenti di taglio, arrestare il motore. Per prevenire lesioni dovute alle lame affilate, indossare dei guanti per impieghi gravosi prima di rimuovere con cautela i detriti.
- Non spingere l'utensile nell'erba da tagliare. Muoverlo da lato a lato. Spostarsi in avanti poco alla volta dopo ogni passata.
- Tenere il prodotto inclinato verso l'area da tagliare.
- Evitare gli ambienti a rischio.
- Utilizzare la punta del filo per svolgere le operazioni di taglio; non forzare la testina a filo per tagliare l'erba.
- Cavi e paletti possono causare usura o rompere l'utensile. Pietre, mattoni, marciapiedi e pezzi di legno potranno consumare rapidamente il filo.
- Evitare alberi e cespugli. Corteccia di alberi, pezzi di legno, rivestimenti e paletti di staccionate possono essere danneggiati dal filo.

### METTERE IN FUNZIONE LO SFRONDATORE.

Vedere pagina 192.

Per contribuire a ridurre il rischio di contraccolpo: Non spingere l'utensile nel materiale da tagliare. Spostare da destra a sinistra con movimenti saldi. Spostarsi in avanti poco alla volta all'inizio di ogni nuova passata.

**RBC31SESO:** Mantenere il prodotto con la mano destra sulla maniglia posteriore e la mano sinistra sulla maniglia anteriore.

**RBC31SBO:** Reggere il prodotto con la mano destra sull'impugnatura a grilletto e con la mano sinistra sull'impugnatura sinistra.

- L'operatore dovrà reggere il prodotto in una posizione comoda con l'impugnatura a grilletto ad altezza del fianco.
- Mantenere una presa salda e l'equilibrio su entrambi i piedi. Posizionarsi in modo da non perdere l'equilibrio in

caso di rimbalzo della lama di taglio.

- Regolare la cinghia su una posizione comoda per l'operatore.
- Fare estrema attenzione quando si utilizza la lama con il prodotto. La lama potrà subire una spinta all'indietro se mentre ruota entra in contatto con del materiale che non riesce a tagliare. Il contatto potrà arrestare la lama per un istante e quindi "far scattare" l'unità dall'oggetto colpito. Questa reazione può essere abbastanza violenta da causare all'operatore una perdita di controllo dell'unità. La lama potrà rimbalzare senza avvertenze se scatta, si blocca o rimane impigliata. Ciò si verificherà con più probabilità in aree dove si trova del materiale difficile da tagliare. Per ragioni di sicurezza e per una maggiore facilità nel taglio, tagliare l'erba da destra a sinistra. **La spinta all'indietro della lama potrà minimizzarsi se si incontra un oggetto inaspettato o del materiale legnoso.**

### TRASPORTO E RIPONIMENTO

- Arrestare l'utensile e lasciarlo raffreddare prima di riporlo o trasportarlo.
- Rimuovere eventuali materiali di scarto dal prodotto.
- Se viene montata una lama per il taglio, coprirla con un proteggilama.
- Drenare il carburante dal serbatoio e versarlo in una tanica idonea per la benzina. Ricordarsi di sostituire e serrare adeguatamente il tappo del carburante.
- Mettere in funzione il motore fino a quando non si arresta. Rimuove tutto il carburante che può diventare stantio e lasciare gomme e lacche nel sistema del carburante.
- Riporre in un luogo asciutto e ben ventilato non accessibile ai bambini, tenerlo a distanza da agenti corrosivi, come le sostanze chimiche per il giardinaggio e il fondente chimico. Non riporre all'esterno.
- Per il trasporto, assicurare il prodotto contro ogni movimento o contro eventuali cadute per evitare lesioni a persone o danni al prodotto.
- Non portare né trasportare mai il prodotto mentre è in funzione.
- Rispettare tutte le regolamentazioni statali e provinciali in merito al rimessaggio e al trattamento sicuro della benzina. Utilizzare il carburante in esubero in altre attrezzature dotate di motore a 2 tempi.

### BREVE TERMINE

- Arrestare il motore ed attendere che si sia raffreddato prima di riporre l'apparecchio.
- Rimuovere eventuali materiali di scarto dal prodotto.
- Riporre in un luogo asciutto e ben ventilato non accessibile ai bambini.
- tenerlo a distanza da agenti corrosivi, come le sostanze chimiche per il giardinaggio e il fondente chimico.
- Non riporre all'esterno.

### MANUTENZIONE

### ⚠ AVVERTENZA

Utilizzare solo parti di ricambio, accessori e dispositivi originali della ditta produttrice. In caso contrario si potranno causare lesioni, prestazioni basse e la garanzia verrà invalidata.

### ⚠ AVVERTENZA

L'accessorio di taglio non deve ruotare nella modalità velocità minima. Nel caso in cui non si riesca a compiere questa operazione, la frizione dovrà essere regolata o l'utensile avrà urgente bisogno di essere sottoposto a manutenzione da un tecnico qualificato.

### ⚠ AVVERTENZA

Un tappo del carburante che perde può rappresentare un rischio d'incendio e deve essere sostituito immediatamente.

### ⚠ AVVERTENZA

N.B.: il dado della lama è di tipo autobloccante, pertanto va utilizzato solo per il primo montaggio. Non riutilizzare il dado autobloccante. Per l'installazione o reinstallazione, usare un dado nuovo. La mancata osservanza di tutte le istruzioni può portare a gravi infortuni.

### ⚠ AVVERTENZA

Quando si monta la lama, assicurarsi che la coppia di avvitamento del dado sia  $\geq 25$  N·m. La mancata osservanza di tutte le istruzioni può portare a gravi infortuni. (vedere pagina 202, passaggio 4)

- Arrestare sempre il motore e lasciarlo raffreddare prima di svolgere eventuali operazioni di manutenzione.
- L'operatore potrà fare le regolazioni e riparazioni descritte nel presente manuale. Per altre riparazioni, far riparare l'unità da un centro servizi autorizzato.
- Le conseguenze di una manutenzione scorretta comprendono depositi in eccesso di carbonio risutanti dalla perdita di prestazione e dallo scarico di residuo oleoso nero che scola dal silenziatore.
- Per sostituire il filo di taglio, utilizzare solo il filo in nylon del diametro descritto nella tabella delle specifiche del presente manuale.
- Dopo aver esteso il nuovo filo di taglio, riportare sempre il prodotto alla normale posizione di funzionamento prima dell'avvio. Dopo ogni uso, pulire il prodotto con una panno morbido e asciutto.
- Assicurarsi che paralame, cinghie, deflettore e manici siano stati correttamente assicurati per evitare rischi di lesioni alla persona.

### PROGRAMMA DI MANUTENZIONE

Verificare che la cinghia sia ben serrata	Prima di ogni utilizzo
-------------------------------------------	------------------------

L'accessorio di taglio non deve ruotare nella modalità velocità minima. <sup>2</sup>	Prima di ogni utilizzo
Controllare il tubo del carburante	Prima di ogni utilizzo
Controllare tutti i raccordi dei tubi	Prima di ogni utilizzo
Pulire il serbatoio e il filtro del carburante <sup>1</sup>	Ogni 3 mesi o 50 ore di funzionamento
Sostituzione filtro carburante <sup>1</sup>	Ogni anno o dopo 300 ore di funzionamento
Verificare l'assenza di perdite dal tappo del combustibile o dalla griglia di ventilazione del serbatoio di combustibile (se presente)	Prima di ogni utilizzo
Pulire il filtro dell'aria.	Ogni 25 ore
Cambiare il filtro dell'aria	Ogni anno o dopo 300 ore di funzionamento
Pulire o regolare la candela	Ogni 6 mesi o 100 ore di funzionamento
Sostituzione filtro carburante	Ogni anno o dopo 300 ore di funzionamento
Pulizia del parascintille	Ogni 25 ore
Sostituire con un nuovo scaricatore della candela.	Ogni anno o dopo 300 ore di funzionamento
Pulire lo scarico e il deflettore	Ogni 25 ore

1 Queste operazioni devono essere svolte solo da un centro assistenza autorizzato.

2 Se tale requisito non è soddisfatto, contattare un centro di assistenza autorizzato per la riparazione o la regolazione.

### RISCHI RESIDUI:

Anche quando il prodotto viene utilizzato come indicato, è impossibile eliminare completamente alcuni fattori di rischio residuo. Si potranno verificare i seguenti rischi durante l'utilizzo e l'operatore dovrà prestare attenzione speciale per evitare quanto segue:

- Contatto con dispositivi di taglio.
  - Assicurarsi che i proteggilama siano installati quando il prodotto non è utilizzato. Tenere sempre mani e piedi lontani dalle lame.
- Lesioni causate da vibrazioni.
  - Utilizzare sempre l'utensile adatto per svolgere il lavoro, utilizzare i manici appositi e limitare le ore di lavoro e l'esposizione.
- Danni causati all'udito dall'esposizione al rumore.
  - Indossare cuffie di protezione e limitare l'esposizione.
- Lesioni agli occhi causate da detriti scagliati dall'utensile.
  - Indossare sempre protezioni per gli occhi.

- Rischio di oggetti in caduta
  - Indossare caschi di protezione per la testa nel caso in cui vi sia il rischio di oggetti che possano cadere.

Quando si utilizza il decespugliatore ci possono essere contraccolpi. Garantire un adeguato controllo utilizzando entrambe le mani sulle impugnature dedicate. Leggere e seguire le istruzioni contenute nel presente manuale per contribuire a ridurre il rischio di contraccolpo.

### RIDUZIONE DEL RISCHIO

Si è accertato che le vibrazioni causate da utensili a mano possono contribuire a causare una condizione chiamata Sindrome di Raynaud in alcune persone. I sintomi, comprendenti formicolio, intorpidimento e perdita di colore alle dita, si verificano di solito quando ci si espone al freddo. Fattori ereditari, esposizione a freddo e umidità, una dieta scorretta, fumo e condizioni di lavoro non sicure potranno contribuire allo sviluppo di questi sintomi. È possibile prendere delle precauzioni per ridurre le vibrazioni:

- Tenere il corpo al caldo a basse temperature. Quando si utilizza il prodotto indossare guanti per tenere le mani e i polsi caldi. Le basse temperature contribuiscono a causare la Sindrome di Raynaud.
- Dopo aver utilizzato l'utensile per un certo periodo, fare degli esercizi per stimolare la circolazione del sangue.
- Assicurarsi che l'utensile sia nella posizione di funzionamento indicata prima di avviare l'utensile.
- Limitare la quantità di esposizione giornaliera. Fare spesso delle pause.

Nel caso in cui si provino i sintomi di questa condizione, interrompere immediatamente l'utilizzo dell'utensile e consultare un dottore.

### AVVERTENZA

Il prolungato utilizzo dell'utensile potrà causare o aggravare lesioni. Quando si utilizza questo utensile per periodi di tempo prolungati, assicurarsi di fare sempre delle pause regolari.

### FAMILIARIZZARE CON IL PRODOTTO

1. Manopola di avviamento
2. Tappo carburante
3. RBC31SBO: Impugnatura a bicicletta
4. RBC31SBO: Albero motore
5. Paralame
6. Deflettore erba
7. Dado di nylon
8. Rondella della lama
9. Rondella a coppa
10. Protettore lama
11. Lama Tri-Arc™
12. Alloggiamento della testa della cinghia superiore
13. Bobina
14. Manopola Bump
15. Alloggiamento della testa della cinghia inferiore
16. Filo di taglio
17. RBC31SBO: Dispositivo di inter-blocco della valvola a farfalla
18. RBC31SBO: Leva acceleratore
19. Interruttore di accensione

20. RBC31SBO: Dispositivo di blocco della valvola a farfalla

21. Cinghia
22. RBC31SESO: Alberto inferiore
23. RBC31SESO: Manopola
24. RBC31SESO: Albero superiore
25. RBC31SESO: Manico anteriore
26. RBC31SESO: Leva acceleratore
27. RBC31SESO: Dispositivo di blocco della valvola a farfalla

### SIMBOLI SUL PRODOTTO



Avvertenza



Leggere e comprendere tutte le istruzioni prima di mettere in funzione il prodotto, seguire tutte le istruzioni e le avvertenze di sicurezza.



Indossare protezione occhi, orecchie e testa.



Indossare calzature anti-scivolo con questo prodotto.



Indossare guanti anti-scivolo da lavoro.



Fare attenzione ad oggetti scagliati o lanciati dall'utensile. Tenere lontani tutti gli osservatori, soprattutto bambini e animali, ad almeno 15 m dalla zona di funzionamento.



Prodotto da non utilizzarsi con una lama dentata.



Per ridurre il rischio di lesioni o danni, evitare il contatto con superfici surriscaldatesi.



Tenere le mani lontane dalle lame.



Livello di potenza acustica garantito



Posizione di corsa



Posizionare la leva dell'aria sulla posizione "FULL" (Pieno).




Posizionare la leva dell'aria sulla posizione "CHOKE".



Tempo di attesa 10 secondi



INIETTA COMBUSTIBILE  
Premere la pompetta 10 volte.

-  Tirare il cordino di avviamento.
-  Premere la leva dell'acceleratore per avviare/mettere in funzione.
-  Bloccare la leva a farfalla in posizione, premendo il tasto di blocco della leva a farfalla.
-  Utilizzare benzina senza piombo per autovetture con numero di ottano almeno pari a 91 ((R+M)/2).
-  Utilizzare olio a 2 tempi per motori ad aria fredda.
-  Mescolare il carburante completamente prima di ricaricare.
-  Avviamento manuale del motore a freddo
-  Avviamento manuale del motore a caldo
-  Avviamento a freddo del motore con l'avviatore elettrico
-  Avviamento a caldo del motore con l'avviatore elettrico
-  Simbolo albero dritto: Quando si inserisce la bobina a filo nel mezzo di taglio, questo simbolo deve essere visibile all'operatore.
-  La lama Tri-Arc™ è idonea per questo prodotto e adatta per il taglio di erbacce e piante rampicanti morbide.
-  Fare attenzione al rimbalzo della lama.
-  Direzione rotazionale e velocità massima dell'albero per l'accessorio di taglio.
-  Spinta
-  Linguetta a rilascio veloce
-  Questo apparecchio è conforme a tutte le norme vigenti nel paese dell'UE in cui è stato acquistato.
-  Marchio di conformità EurAsian
-  Marchio di conformità ucraino

I seguenti simboli indicano i livelli di rischio associati a questo prodotto.

**⚠ PERICOLO**

Indica una situazione pericolosa che, se non evitata attentamente, potrà causare gravi lesioni alla persona o morte.

**⚠ AVVERTENZA**

Indica una situazione potenzialmente pericolosa che, se non evitata attentamente, potrà causare gravi lesioni alla persona o morte

**⚠ ATTENZIONE**

Indica una situazione potenzialmente pericolosa che, se non evitata attentamente, potrà causare lesioni minori o moderate alla persona.

**ATTENZIONE**

Senza simbolo di allerta di sicurezza

Indica una situazione che potrà risultare in gravi danni a cose.

**SIMBOLI NEL PRESENTE MANUALE**



Note



Avvertenze

Bij het ontwerp van uw bosmaaier/grastrimmer hebben veiligheid, prestaties en betrouwbaarheid de hoogste prioriteit gekregen.

### VOORGESCHREVEN GEBRUIK

De bosmaaier/grastrimmer is uitsluitend bedoeld voor gebruik door volwassenen die de instructies en waarschuwingen in deze handleiding hebben gelezen en verantwoord met het apparaat kunnen omgaan. Het product is uitsluitend bedoeld voor gebruik buitenshuis in een goed geventileerd gebied. Omwille van veiligheidsredenen moet het product correct worden bediend door steeds twee handen te gebruiken.

Het product dat is uitgerust met de grastrimkop (en bijbehorende beschermkap) is bedoeld voor het maaien van lang gras, vliezig onkruid en soortgelijke vegetatie bij of op grondniveau. Indien het is uitgerust met de Tri-Arc™ blade (en bijbehorende beschermkap) kan het ook struiken maaien. Het product is niet ontworpen om met een zaagblad uitgerust te worden.

De maailijn moet ongeveer parallel met het grondoppervlak zijn. Het product mag niet worden gebruikt om heggen, struiken of andere begroeiing te snoeien of trimmen waar het maaiblad niet parallel is met de grond.

Gebruik niet voor andere doeleinden.

### ⚠ WAARSCHUWING

De gebruiker moet deze gebruiksaanwijzing lezen en begrijpen om het risico op verwondingen te beperken.

### ⚠ WAARSCHUWING

Probeer niet om dit product te gebruiken totdat u alle instructies en veiligheidsvoorschriften in deze handleiding volledig hebt gelezen en begrepen. Wanneer u dit niet naleeft kan dit leiden tot ongevallen met elektrische schok, brand en/of ernstige letsels. Bewaar deze gebruikershandleiding zorgvuldig en sla dit document regelmatig op om het gereedschap onder geheel veilige omstandigheden te kunnen blijven gebruiken en om eventuele andere gebruikers te informeren.

### ⚠ WAARSCHUWING

Het product is niet geschikt voor gebruik door kinderen of personen met verminderde fysieke, mentale of zintuigelijke vermogens. Kinderen moeten onder toezicht staan om ervoor te zorgen dat ze niet met het product spelen.

### ALGEMENE VEILIGHEIDSWAARSCHUWINGEN

- Voor een veilig gebruik, dient u alle instructies te lezen en te begrijpen voor u het product gebruikt. Volg alle veiligheidsinstructies. Het niet opvolgen van alle aanwijzingen kan resulteren in ernstig lichamelijk letsel.
- Enkele regio's hebben regels die het gebruik van het product beperken. Raadpleeg uw lokale autoriteit voor advies.
- Laat kinderen of niet-opgeleide personen dit product

niet gebruiken.

- Start of laat de motor nooit draaien in een gesloten of slecht geventileerde ruimte; het inademen van uitlaatgassen kan dodelijk zijn.
- Maak voor elk gebruik de werkplek vrij. Verwijder alle objecten zoals stenen, gebroken glas, spijkers, draad, of snoer, die weggeslingerd kunnen worden of verstrikt kunnen raken in de snoerkop of het mes.
- Draag volledige gezichts- en gehoorbescherming terwijl u het product bedient. Als u op een plaats werkt waar het risico bestaat op vallende voorwerpen moet een veiligheidshelm worden gedragen.
- Gehoorsbescherming kan de mogelijkheid dat de operator geluiden hoort, verkleinen. Wees bijzonder voorzichtig voor mogelijke gevaren rond en op de werkplek.
- Draag een zware, lange broek, antislipbeschermerschoenen en handschoenen. Draag geen losse kleding, korte broek, juwelen van enig soort en gebruik het apparaat niet met blote voeten.
- Maak lang haar vast zodat het zich boven schouderlengte bevindt om te voorkomen dat het in een bewegend deel verstrikt raakt.
- Houd alle omstaanders, kinderen en huisdieren op een afstand van tenminste 15 m. Leg het product stil als iemand het werkgebied betreedt.
- Gebruik het product niet wanneer u moe, ziek of onder de invloed bent van alcohol, drugs of medicijnen.
- Gebruik dit apparaat niet op plekken waar u niet goed kunt zien. De operator moet een onbeperkt zicht hebben om mogelijke gevaren te identificeren.
- Ga altijd stevig op uw benen staan en reik niet te ver weg met uw arm. Overrek u niet. Wanneer u overreikt kan dit leiden tot evenwichtsverlies of blootstelling aan hete oppervlakken.
- Houd alle lichaamsdelen weg van de bewegende delen.
- Raak het gebied rond de demper of cilinder van het product niet aan, deze onderdelen kunnen heet worden tijdens gebruiken.
- Stop altijd de motor en laat het afkoelen alvorens u wijzigingen maakt.
- Verboden te roken wanneer u de brandstoftank vult of brandstof mengt.
- Meng en bewaar de brandstof in een container die goedgekeurd is voor brandstof.
- Meng brandstof in de open lucht waar geen vonken of vlammen zijn. Veeg eventueel gemorste brandstof weg. Ga op 9 m afstand staan van de brandstofvulplaats voor u de motor start.
- Stop de motor en laat het product afkoelen alvorens u tankt.
- Laat de motor afkoelen; ledig de brandstoftank en maak de eenheid vast voor u hem in een voertuig transporteert.
- Leg de motor altijd stil en zorg ervoor dat alle bewegende onderdelen volledig zijn stilgevallen voor:
  - onderhoud
  - het product onbeheerd achterlaten

EN  
FR  
DE  
ES  
IT  
NL  
PT  
DA  
SV  
FI  
NO  
RU  
PL  
CS  
HU  
RO  
LV  
LT  
ET  
HR  
SL  
SK  
BG  
UK  
TR

- uw product schoonmaken
- accessoires vervangen
- verwijderen van blokkades
- controleer op schade nadat u een voorwerp hebt geraakt
- controleer op schade als het product abnormaal begint te trillen
- onderhoud uitvoeren
- verwijderen van het mes
- plaatsen van het mes

#### **⚠ WAARSCHUWING**

Gebruik nooit een snijmiddel of accessoires die niet door Ryobi in deze handleiding zijn beschreven. Dit is inclusief het gebruik van metalen draaikettingen en dorsmessen uit meerdere delen. Deze onderdelen staan erom bekend om te breken tijdens gebruik en vormen een groot gevaar op letsel voor de gebruiker of omstanders.

#### **⚠ WAARSCHUWING**

Controleer het apparaat nadat u het hebt laten vallen of bij impact

Controleer het apparaat grondig en ga alle defecten of schade na. Een beschadigd onderdeel moet door een geautoriseerd onderhoudscentrum goed worden gerepareerd of vervangen.

#### **VEILIGHEIDSWAARSCHUWINGEN VOOR DE**

- Vervang de lijnkop als deze gebarsten, gebroken of op een andere manier is beschadigd. Zorg ervoor dat de draadkop goed is geplaatst en stevig is vastgezet. Wanneer u dit niet doet, kan dit leiden tot ernstige verwondingen.
- Vermijd gebruik van de machine op nat gras.
- Stap niet achteruit terwijl u het product gebruikt.
- Stap altijd, loop nooit.
- Het kleine snijblad dat aan de kap van de snijbevestiging is gemonteerd is ontworpen om het nieuw uitgetrokken snoer te trimmen op de juiste lengte voor veilige en optimale prestaties. Het is heel scherp; niet aanraken, vooral bij het schoonmaken van het product.
- Zorg er altijd voor dat de ventilatie-openingen vrij blijven van afval.
- Voor gebruik en na elke impact controleert u op beschadigde onderdelen. Controleer het snijmechanisme op tekenen van barsten of andere schade. Een defecte schakelaar of een onderdeel dat beschadigd is moet correct worden of vervangen door een geautoriseerde onderhoudsfaciliteit.
- Zorg ervoor dat het kopvoorzetstuk goed is geïnstalleerd en stevig vastgemaakt.
- Controleer dat alle beschermkappen, deflectors, handgrepen, bouten en bevestigingselementen goed en stevig zijn vastgezet.
- Wijzig het product op geen enkele manier. Dit kan het

risico van letsel voor uzelf of anderen verhogen.

- Gebruik alleen de vervangingslijn van de fabrikant in de snijkop. Gebruik geen enkel ander maaivoorzetstuk.
- Gebruik het product nooit als de beschermkap van het maaï-hulpstuk niet is aangebracht, of als het apparaat niet in goede staat is.
- Houd het product tijdens het trimmen stevig vast op beide handgrepen. Houd de draadkop onder heuphoogte. Maai nooit met de lijnkop op een afstand van meer dan 76 cm boven de grond.

#### **VEILIGHEIDSWAARSCHUWINGEN VOOR DE BOSMAAIER**

- Behalve de bovenstaande regels zijn eveneens de volgende extra instructies van toepassing als het product als bosmaaier wordt gebruikt.
- Gebruik robuuste handschoenen bij het plaatsen of verwijderen van de messen, ze hebben scherpe randen.
- Probeer het maaiblad niet aan te raken of te stoppen wanneer het draait.
- Een bewegend mes kan ernstig letsel veroorzaken. Blijf het product met beide handen stevig vasthouden totdat het mes helemaal is gestopt met draaien.
- Vervang alle maaibladeren die zijn beschadigd. Zorg er voor gebruik altijd voor dat het maaiblad correct is geïnstalleerd en stevig werd vastgemaakt.
- Gebruik uitsluitend het vervang Tri-Arc™ maaiblad van de fabrikant. Gebruik geen enkel ander maaivoorzetstuk.
- Maai nooit materiaal met een diameter van meer dan 13 mm
- Uw product is uitgerust met een harnas. Stel het harnas zorgvuldig af om comfortabel te passen en help het gewicht van het product te ondersteunen aan rechterzijde.
- Zoek het snelle ontgrendelmechanisme en oefen dit voor u de machine begint te gebruiken. Een goed gebruik kan ernstig letsel vermijden bij een noodgeval. Draag nooit kleding over het harnas of kleding dat de toegang tot de snelsluiting beperkt.
- Bedek het maaiblad met een maaibladbeschermer voor u de machine opbergt of tijdens transport. Verwijder de maaibladbeschermer voor u de machine gebruikt. Indien niet verwijderd, kan de maaibladbeschermer worden weggeslingerd als het maaiblad begint te draaien.
- Wees uiterst voorzichtig wanneer u het maaiblad met het product gebruikt. Terugschlag is de reactie die zich kan voordoen als een draaiend maaiblad in contact komt met een voorwerp dat het niet kan snijden. Dit contact kan ervoor zorgen dat de maaibladeren een ogenblik stilvallen en dan plots de machine weg van het geraakte voorwerp "slingeren". Deze reactie kan krachtig genoeg zijn om ervoor te zorgen dat de gebruiker de controle over de machine verliest. Het maaiblad kan plots terugslaan wanneer het vastraakt, stilvalt of verstrikt raakt. Dit kan vaker gebeuren op plaatsen waar het moeilijk is om het materiaal dat moet



worden gemaaid te zien.

- Om makkelijk en veilig te maaien, dient u het onkruid van rechts naar links te maaien. Als u op een onverwacht voorwerp of houderig materiaal stoot, kan dit de kans tot terugslag verminderen. Gebruik altijd beide handen om dit product te controleren.

## MONTAGE

### UITPAKKEN

Zie pagina 181-182.

Dit product vereist montage.

- Haal het apparaat en het toebehoren voorzichtig uit de doos. Zorg ervoor dat alle opgelijste items op de verpakingslijst zijn inbegrepen.
- Kijk het gereedschap zorgvuldig na om u ervan te vergewissen dat er niets gebroken of beschadigd is tijdens het transport.

### ⚠ WAARSCHUWING

Als er onderdelen zijn beschadigd of ontbreken, gebruik dan het toestel niet vooraleer de onderdelen werden vervangen. Wanneer u deze waarschuwing niet in acht neemt, kan dit leiden tot ernstige letsels.

### AFSTELLEN VAN DE GRIJPLUS

Zie pagina 185/189.

Stel de grijplussen af naar een comfortabele en gebalanceerde positie waarbij het mes of de maaiaccessoire tussen 100 mm en 300 mm boven de grond hangt.

### GEbruik VAN HET HARNAS

Zie pagina 185-189.

**OPMERKING:** Gebruik het product altijd samen met het harnas.

**OPMERKING:** Om het product snel van het harnas los te koppelen, trekt u kort en krachtig aan de snelontgrendelingsgreep.

### GEbruik VAN HET REELEASY™-GRASMAAIMES EN TRI-ARC™-MES

- Wanneer u de ReelEasy™-grastrimmerkop gebruikt moet de grasdeflector aan de beschermkap worden bevestigd. (Zie pagina 203).
- Wanneer u het Tri-Arc™ maaiblad gebruikt, moet de grasdeflector van de maaibladbeschermer worden verwijderd. (Zie pagina 202).

### ⚠ WAARSCHUWING

Verwijder altijd de pin om de aandrijfas te borgen alvorens de motor te starten (raadpleeg pagina 185, stap 4)

## BEDIENING

### BRANDSTOF EN BIJTANKEN

Zie pagina 184.

- Behandel brandstof altijd voorzichtig, ze is uiterst

ontvlambaar.

- Dit apparaat wordt aangedreven door een tweetaktmotor en hiervoor moet vooraf benzine en tweetaktolie worden gemengd. Meng vooraf ongelode benzine en tweetaktmotorolie in een schone container die goedgekeurd is voor benzine.
- Deze motor is officieel geschikt verklaard voor het gebruik van ongelode autobenzine met een octaangetal van 91 [(R + M] /2) of hoger.
- Gebruik nooit een voorgemengde benzine/olie-mix van tankstations.
- Gebruik uitsluitend synthetische tweetaktolie. Gebruik geen smeermiddel voor auto's of tweetaktolie voor buitenboordmotoren.
- Meng 2% synthetische 2-taktolie in de benzine. Dat is een verhouding van 50:1.
- Meng de brandstof zorgvuldig en doe dit elke keer voordat u bijtankt.
- Meng kleine hoeveelheden. Meng niet meer dan binnen een periode van 30 dagen kan worden verbruikt. Wij raden u aan om een synthetische tweetaktolie te gebruiken die een brandstofstabilisator bevat.

### DE TANK VULLEN

- Maak het gebied rond de brandstofdop schoon om vervuiling te voorkomen.
- Draai de brandstofdop voorzichtig open om de druk te verminderen en om te voorkomen dat er brandstof langs de dop ontsnapt.
- Giet het brandstofmengsel voorzichtig in de tank. Voorkom dat u morst.
- Voordat u de brandstofdop terugplaatst, afdictring schoonmaken en controleren.
- Plaats de brandstofdop meteen terug en draai deze handvast. Veeg eventueel gemorste brandstof weg. Ga op 9 m (30 voet) afstand van de brandstofvulplaats staan voor u de motor start.

### DE MOTOR STARTEN MET EEN ELEKTRISCHE STARTER (OPTIONEEL):

Zie afb. 196 - 201.

### ⚠ WAARSCHUWING

Gebruik uitsluitend de elektrische starter Ryobi OES18. Wanneer een andere starter wordt gebruikt kan dit de motor beschadigen en ernstig persoonlijk letsel veroorzaken.

### ⚠ WAARSCHUWING

Alvorens de elektrische starter te gebruiken om het product te starten, moet de bedieningshandleiding van de elektrische starter OES18 volledig zijn doorgelezen en goed begrepen, om onjuist gebruik en ernstig persoonlijk letsel te voorkomen.

- Houd de geïsoleerde as met uw linkerhand vast en gebruik uw rechterhand om de starterbitas op het asgat op de motor te plaatsen. Anders kan de motor niet

worden gestart.

- Zorg ervoor dat de starterbit goed aangrijpt.

**OPMERKING:** De elektrische starter is met een veiligheidsvergrendeling uitgerust. Wanneer u de as van de elektrische starter in het asgat op de motor plaatst, mag u de schakelknop niet indrukken en ingedrukt blijven houden. Als de elektrische starter niet goed aangrijpt, zal de starter niet draaien.

## DE GRASTRIMMER GEBRUIKEN

Zie pagina 189.

**RBC31SESO:** Pak het product vast met de rechterhand op het achterste handvat en de linkerhand op het voorste handvat.

**RBC31SBO:** Houd het product vast met de rechterhand aan de trekhendel en met de linkerhand op het linkerhandvat.

- Houd met beide handen een stevige grip tijdens de werking.
- Het product moet in een comfortabele positie worden gehouden, waarbij de gashendel zich op heuphoogte bevindt.
- Gebruik het product altijd aan volle snelheid. Lang maaien aan beperkt vermogen zal ertoe leiden dat smeermiddel uit de geluiddemper druppelt.
- Maai lang gras van boven naar beneden om te voorkomen dat het gras in de schachtbehuizing en de maai kop verstrikt raakt, wat kan leiden tot schade als gevolg van oververhitting.
- Als er gras of afval rond het snijmiddel is gewikkeld, stopt de motor. Draag stevige handschoenen om letsel door de scherpe messen te voorkomen en verwijder het afval voorzichtig.
- Druk niet in het gras dat moet worden gemaaid. Beweeg heen en weer en stap daarbij aan het einde van elke beurt een klein beetje vooruit.
- Houd het product gekanteld in de richting van de plaats die moet worden gemaaid.
- Gebruik uw elektrisch apparaat niet op vochtige of natte plaatsen en stel het niet bloot aan regen.
- Gebruik de tip van de maai lijn om te maaien; forceer de maai kop niet in het ongemaaid gras.
- Afrasteringen en omheiningen kunnen zorgen voor bijkomende slijtage en zelfs breuk. Muren uit natuursteen, baksteen, stoep randen en hout kunnen de maai lijn snel doen verslijten.
- Vermijd bomen en struiken. Boomschors, houten kaders, gevelbekleding en omheiningen kunnen door de maai lijn makkelijk worden beschadigd.

## STRUIKRUIMER GEBRUIKEN

Zie pagina 192.

Om het risico op terugslag te verminderen: niet in het materiaal dat moet worden gemaaid drukken. Beweeg in een constante beweging van links naar rechts. Ga aan het begin van elke nieuwe heen-en-weer-gaande beweging een stukje voorwaarts.

**RBC31SESO:** Pak het product vast met de rechterhand op het achterste handvat en de linkerhand op het voorste handvat.

**RBC31SBO:** Houd het product vast met de rechterhand aan de trekhendel en met de linkerhand op het linkerhandvat.

- Het product moet in een comfortabele positie worden gehouden, waarbij de gashendel zich op heuphoogte bevindt.
- Behoud uw greep en evenwicht op beide voeten. Plaats uzelf zo dat u het evenwicht niet verliest door de terugslagreactie van het maaiblad.
- Pas de draagriem aan tot een comfortabele positie.
- Wees uiterst voorzichtig wanneer u het maaiblad met het product gebruikt. Terugslag is de reactie die zich kan voordoen als een draaiend maaiblad in contact komt met een voorwerp dat het niet kan snijden. Dit contact kan ervoor zorgen dat de maaibladeren een ogenblik stilvallen en dan plots de machine weg van het geraakte voorwerp "slingeren". Deze reactie kan krachtig genoeg zijn om ervoor te zorgen dat de gebruiker de controle over de machine verliest. Het maaiblad kan plots terugslaan wanneer het vastraakt, stilvalt of verstrikt raakt. Dit kan vaker gebeuren op plaatsen waar het moeilijk is om het materiaal dat moet worden gemaaid te zien. Om makkelijk en veilig te maaien, dient u het onkruid van rechts naar links te maaien. **Als u op een onverwacht voorwerp of houterig materiaal stoot, kan dit de kans tot terugslag verminderen.**

## TRANSPORT EN OPSLAG

- Leg het product stil en laat het afkoelen voor u het opbergt of transporteert.
- Verwijder alle vreemde voorwerpen van het product.
- Als een snijmes is geplaatst, bedek het dan met de mesbeschermer.
- Tap alle brandstof uit de tank af in een container die goedgekeurd is voor benzine. Vergeet niet om de brandstofdop terug te plaatsen en aan te draaien.
- Laat de motor draaien tot deze stopt. Dit verwijdert alle brandstof die oud kon worden en vernis en gom in het brandstofsysteem kon achterlaten.
- Bewaar op een koele, droge en goed geventileerde plaats die niet toegankelijk is voor kinderen. Houd corrosieve producten, zoals tuinchemicaliën en strooizout uit de buurt van het apparaat. Bewaar niet buitenshuis.
- Voor transport beveilig u het product tegen bewegen of vallen om lichamelijke letsels of schade aan het product te voorkomen.
- Draag of transporteer het product nooit terwijl de motor draait.
- Neem alle landelijke en regionale voorschriften voor de veilige opslag van en omgang met benzine in acht. Overtollige brandstof moet worden opgemaakt in andere apparaten met tweetaktmotoren.

## KORTETERMIJN

- Stop de motor en laat het afkoelen alvorens u het opbergt.
- Verwijder alle vreemde voorwerpen van het product.
- Bewaar op een koele, droge en goed geventileerde plaats die niet toegankelijk is voor kinderen.

- Houd corrosieve producten, zoals tuinchemicaliën en strooizout uit de buurt van het apparaat.
- Bewaar niet buitenshuis.

## ONDERHOUD

### ⚠ WAARSCHUWING

Gebruik uitsluitend originele vervangonderdelen, accessoires en voorzetstukken van de fabrikant. Als u dit niet doet, kan dit mogelijks letsels of slechte prestaties veroorzaken waardoor uw garantie kan vervallen.

### ⚠ WAARSCHUWING

Het maaivoorzetstuk mag in de stationaire stand niet draaien. Als niet aan deze vereiste wordt voldaan, moet de koppeling worden afgesteld of dient de machine dringend te worden onderhouden door een erkend technicus.

### ⚠ WAARSCHUWING

Een lekkende brandstofop betekent een brandgevaar en moet onmiddellijk worden vervangen.

### ⚠ WAARSCHUWING

Let erop dat het mesmoer een nyloc-moer is, die slechts eenmalig gebruikt mag worden voor de montage. De nyloc-moer mag niet worden hergebruikt. Bij het monteren/demonteren moet u een nieuwe nyloc-moer gebruiken. Het niet opvolgen van alle aanwijzingen kan resulteren in ernstig lichamelijk letsel.

### ⚠ WAARSCHUWING

Zorg er bij montage van het mes voor dat het koppel van de moer  $\geq 25\text{Nm}$  is. Het niet opvolgen van alle aanwijzingen kan resulteren in ernstig lichamelijk letsel. (raadpleeg pagina 202, stap 4)

- Leg de motor altijd stil en laat deze afkoelen voor u onderhoudswerken uitvoert.
- U kunt de afstellingen en reparaties die in deze gebruiksaanwijzing worden vermeld, uitvoeren. Voor andere reparaties, laat u het apparaat door een geautoriseerde onderhoudsagent nakijken.
- De gevolgen van slecht onderhoud zijn mogelijks overmatige koolstofafzetting, wat leidt tot vermogensverlies en de uitstoot van zwart, olieachtig residu dat uit de geluידemper druppelt.
- Als vervanglijn gebruikt u uitsluitend filamentlijnen uit nylon van de diameter die in de specificatielijst van deze gebruiksaanwijzing is beschreven.
- Nadat u een nieuwe maailijn hebt uitgebracht, brengt u het product altijd terug in de normale bedrijfspositie voor u start. Na elk gebruik, reinigt u het product met een zachte, droge doek.

- Zorg ervoor dat alle beschermers, riemen, deflectors en handvatten stevig vast zitten om het risico op letsels te voorkomen.

## ONDERHOUDSSHEMA

Controleer of de sluiting volledig vastzit	Voor elk gebruik
Controleer: Het maaivoorzetstuk mag in de stationaire stand niet draaien. <sup>2</sup>	Voor elk gebruik
Controleer de brandstofslang	Voor elk gebruik
Controleer alle slangverbindingen	Voor elk gebruik
Reinig brandstoftank en filter <sup>1</sup>	Elke 3 maanden of 50 bedrijfsuren
Vervang brandstoffilter <sup>1</sup>	Elk jaar of na 300 bedrijfsuren
Controleer de tankdop of de dampopening van de brandstoftank (indien aanwezig) op lekkage	Voor elk gebruik
Maak het luchtfilter schoon.	Elke 25 uur
Vervang het luchtfilter	Elk jaar of na 300 bedrijfsuren
Bougie reinigen of afstellen	Elke 6 maanden of 100 bedrijfsuren
Vervang brandstoffilter	Elk jaar of na 300 bedrijfsuren
Reinig de vonkenvanger	Elke 25 uur
Vervang door een nieuwe vonkenvanger.	Elk jaar of na 300 bedrijfsuren
Uitlaatpoort en geluידemper reinigen	Elke 25 uur

<sup>1</sup> Deze onderdelen mogen uitsluitend worden uitgevoerd door een erkend servicecentrum.

<sup>2</sup> Indien niet het geval is, dient u voor reparatie of afstelling contact op te nemen met een geautoriseerd servicecentrum.

## RESTRISCO'S

Zelfs wanneer het product zoals voorgeschreven wordt gebruikt, is het nog steeds onmogelijk om bepaalde restrisco's volledig te elimineren. De volgende gevaren kunnen zich voordoen tijdens het gebruik en de gebruiker dient in het bijzonder aandacht te hebben om de volgende situaties te vermijden:

- Contact met de maaibladen.
  - Zorg ervoor dat de mesbeschermers zijn geplaatst wanneer het product niet in gebruik is. Houd handen en voeten steeds weg van de zaagbladen.
- Letsels veroorzaakt door trillingen.
  - Gebruik altijd het juiste gereedschap voor de taak, gebruik de toegewezen handvaten en beperk de gebruikstijd en blootstelling.

- Gehoorschade veroorzaakt door blootstelling aan geluid.
  - Draag gehoorbescherming en beperk de blootstelling.
- Gezichtsletsels door rondvliegend afval.
  - Draag altijd gezichtsbescherming.
- Risico voor vallende voorwerpen
  - Draag hoofdbescherming als er kans bestaat op vallende objecten.

De bosmaaier kan tijdens gebruik terugslag geven. Zorg dat u het apparaat goed in bedwang hebt door uw beide handen op de daarvoor aangewezen handgrepen te houden. Lees en volg de aanwijzingen elders in deze handleiding om het risico van terugslag te verminderen.

### RISICOBEPERKING

Er zijn meldingen dat trillingen van handwerktuigen bij sommige mensen bijdragen tot het Syndroom van Raynaud. Symptomen kunnen ondermeer tintelingen, gevoelloosheid en bleek worden van de vingers omvatten, wat normaal gezien duidelijk wordt bij blootstelling aan koude. Erfelijke factoren, blootstelling aan koude en vocht, dieet, roken en werkroutine kunnen allemaal bijdragen tot de ontwikkeling van deze symptomen. Er kunnen door de bediener maatregelen worden genomen om de gevolgen van de trillingen te beperken:

- Houd bij koud weer uw lichaam warm. Draag handschoenen terwijl u het product gebruikt om de handen en polsen warm te houden. Men neemt aan dat koud weer een belangrijke factor is die bijdraagt tot het Syndroom van Raynaud.
- Doe oefeningen om de bloeddoorstroming te bevorderen na elke periode van gebruik.
- Zorg ervoor dat de machine correct in een aangeduide werkpositie bevindt voor u ze start.
- Beperk het aantal uren dat u per dag wordt blootgesteld. Neem regelmatig een pauze.

Wanneer u enige van de symptomen van deze aandoening ervaart, stop dan onmiddellijk met het gebruik van het toestel en raadpleeg uw dokter

### ⚠ WAARSCHUWING

Letsels kunnen worden veroorzaakt of ernstiger worden door verlengd gebruik van een werktuig. Als u een werktuig gedurende langere periodes gebruikt, neem dan regelmatig pauze.

### KEN UW PRODUCT

1. Starthandgreep
2. Brandstofop
3. RBC31SBO: Handvat
4. RBC31SBO: Aandrijfjas
5. Snoeibladbeschermer
6. Grasdeflector
7. Nylon bout
8. Zaagbladsluitring
9. Gebogen sluitring
10. Maailijnbeschermer
11. Tri-Arc™ maaiblad

12. Behuizing van bovenste riemkop
13. Spoel
14. Bolknop
15. Behuizing van onderste riemkop
16. Maailijn
17. RBC31SBO: Startonderbreking
18. RBC31SBO: Gashendel
19. Contactschakelaar
20. RBC31SBO: Gashendelvergrendeling
21. Riemhanger
22. RBC31SESO: Onderste schacht
23. RBC31SESO: Knop
24. RBC31SESO: Bovenste schacht
25. RBC31SESO: Voorste handvat
26. RBC31SESO: Gashendel
27. RBC31SESO: Gashendelvergrendeling

### SYMBOLEN OP HET PRODUCT



Waarschuwing



Lees en begrijp alle instructies voor u het product bedient, volg alle waarschuwingen en veiligheidsinstructies.



Draag gezichts-, gehoor- en hoofdbescherming.



Draag anti-slip schoeisel wanneer u het product gebruikt.



Draag zware, antislip handschoenen.



Houd rekening met weggeslingerde of rondvliegende voorwerpen. Houd alle omstanders, in het bijzonder kinderen en huisdieren, op tenminste 15m afstand van het werkgebied.



Het product is niet geschikt voor gebruik met een getand zaagblad.



Om het risico op verwondingen of schade te beperken, vermijdt u contact met een warm oppervlak.



Houd handen weg van snijbladen.



Gegarandeerd geluidsniveau



Stand draaien



Zet de chokehendel in de chokestand "FULL".



Zet de chokehendel in de chokestand "HALF".



Wachttijd 10 seconden



**POMPEN**  
Druk 10 keer op de brandstofbalg.



Trek aan de startkabel



Druk op de snelheidshendel om te starten/lopen.



Vergrendel de snelheidsregelaar in positie door de ontgrendelknop voor de snelheidsregelaar in te drukken.



Gebruik loodvrije autobenzine met een octaangehalte van 91 ((R+M)/2) of hoger.



Gebruik 2-taktolie voor luchtgekoelde motoren.



Meng de brandstof grondig en telkens voor u opnieuw met brandstof vult.



Een koude motor met de hand starten



Een warme motor met de hand starten



Een koude motor starten met de elektrische starter



Een warme motor starten met de elektrische starter



Symbool voor rechte as: Bij het plaatsen van de lijnspeel op het snijmiddel, moet het symbool zichtbaar zijn voor de gebruiker.



Het Tri-Arc-mes is geschikt voor dit product en kan worden gebruikt voor het snoeien van vlezig onkruid en wingerd.



Pas op voor de stuwkracht van de motor



Draairichting en maximumsnelheid van de as voor het maaivoorzetstuk.



Trekken  
Snelle ontgrendeltab



Dit apparaat voldoet aan alle geldende normen van Lid-Staat van de Europese Unie waar het werd gekocht.



EurAsian-symbool van overeenstemming



Oekraïens conformiteitssymbool

verklaren.

**⚠ GEVAAR**

Wijst op een gevaarlijke situatie die, als ze niet wordt voorkomen, dodelijk kan zijn of ernstige verwondingen kan veroorzaken.

**⚠ WAARSCHUWING**

Wijst op een mogelijks gevaarlijke situatie die, als ze niet wordt voorkomen, dodelijk kan zijn of ernstige verwondingen kan veroorzaken.

**⚠ LET OP**

Wijst op een mogelijks gevaarlijke situatie die, als ze niet wordt voorkomen, kleine of middelmatige verwondingen kan veroorzaken.

**LET OP**

Zonder veiligheidswaarschuwingssymbool  
Wijst op een situatie die kan leiden tot materiële schade.

**SYMBOLLEN IN DEZE GEBRUIKSAANWIJZING**



Opmerking



Waarschuwing

- EN
- FR
- DE
- ES
- IT
- NL**
- PT
- DA
- SV
- FI
- NO
- RU
- PL
- CS
- HU
- RO
- LV
- LT
- ET
- HR
- SL
- SK
- BG
- UK
- TR

De volgende kernwoorden en verklaringen zijn bedoeld om de gevaarniveaus die op dit toestel betrekking hebben, te

No design da sua roçadora/recortadora de relva demos prioridade à segurança, ao desempenho e à fiabilidade.

### USO PREVISTO

A roçadora/recortadora de relva destina-se a ser utilizada por adultos que tenham lido e compreendido as instruções e os avisos neste Manual e que possam ser considerados responsáveis pelas suas acções. O produto apenas se destina a ser usado ao ar livre numa área bem ventilada. Por motivos de segurança, o produto tem obrigatoriamente de ser controlado adequadamente, utilizando ambas as mãos durante a operação.

O produto com a cabeça de recortadora de relva aplicada (e respectiva guarda) destina-se a cortar erva alta, ervas daninhas com polpa e vegetação do tipo semelhante, directamente no chão ou próximo do chão. Quando está aplicada a lâmina Tri-Arc™ (e a guarda correcta), o produto pode cortar também arbustos. O produto não foi concebido para lhe ser aplicada uma lâmina de serra.

O aparelho de corte deve estar quase paralelo à superfície do chão. O produto não deve ser usado para cortar ou aparar sebes, arbustos ou outra vegetação em que o aparelho de corte não fique paralelo à superfície do chão. Não a use para nenhuma outra finalidade.

### ⚠ ADVERTÊNCIA

Para reduzir o risco de ferimento, o utilizador deve ler e compreender o manual do utilizador.

### ⚠ ADVERTÊNCIA

Não tente operar o produto enquanto não tiver lido e compreendido completamente todas as instruções e regras de segurança contidas neste Manual. Se não as cumprir correctamente, pode provocar acidentes envolvendo descargas eléctricas, incêndios e/ou danos corporais graves. Conserve este manual de utilização e consulte-o regularmente para trabalhar com toda a segurança e informar os outros utilizadores eventuais.

### ⚠ ADVERTÊNCIA

O produto não deve ser utilizado por crianças nem por pessoas com capacidades físicas, mentais ou sensoriais reduzidas. As crianças devem ser mantidas sob vigilância adequada para se garantir que não brincam com o produto.

### AVISOS GERAIS DE SEGURANÇA

- Para uma operação segura, leia e compreenda todas as instruções antes de usar o produto. Siga todas as instruções de segurança. O não cumprimento de todas as instruções poderá resultar em ferimentos pessoais graves.
- Algumas regiões têm normas que limitam o uso do produto. Consulte a sua autoridade local para obter informação.
- Não permita que crianças ou indivíduos inexperientes entrem em contacto com este produto.
- Nunca ligue ou coloque o motor a trabalhar numa área

fechada ou pouco ventilada; a inalação dos gases de escape pode matar.

- Desimpeça a área onde pretende trabalhar antes de cada utilização. Retire todos os objectos (como pedras, vidros partidos, pregos, arames ou fios) que possam ser projectados ou ficar embaraçados na cabeça de fio ou na lâmina.
- Use óculos de protecção total para os olhos e ouvidos ao utilizar este produto. Ao trabalhar numa área onde haja um risco de queda de objectos, tem que se usar uma protecção para a cabeça.
- A protecção auditiva pode restringir a capacidade do operador de ouvir os sons de alarme. É preciso ter muita atenção aos perigos potenciais dentro e à volta da área de trabalho.
- Use calças compridas pesadas, calçado de protecção antiderrapante e luvas. Não utilize roupa larga, calções, joias nem utilize com os pés descalços.
- Penda o cabelo comprido para que fique acima do nível dos ombros para evitar que fique emaranhado em quaisquer peças móveis.
- As pessoas, crianças e animais deverão estar, no mínimo, a 15 metros do equipamento. Desligue o aparelho se alguém entrar na área.
- Não opere este produto se estiver cansado ou sob a influência de drogas, álcool ou medicamentos.
- Não utilize esta ferramenta numa zona com pouca luz. O operador necessita de ter uma visão clara e sem restrições para identificar potenciais perigos.
- Fique sempre bem apoiado nas pernas e não estique demasiado o braço. Não se aproxime em demasia. Ao esticar-se para chegar a algo, pode perder o equilíbrio ou ser exposto a superfícies quentes.
- Mantenha qualquer peça em movimento longe do seu próprio corpo.
- Não toque na área junto à panela de escape nem na área junto ao cilindro do motor do produto: estas peças ficam quentes ao toque durante e a seguir à operação do produto.
- Antes de fazer quaisquer ajustes, desligue sempre o motor e deixe-o arrefecer.
- Não fume quando misturar combustível ou encher o depósito de combustível.
- Misture e guarde o combustível num recipiente aprovado para combustível.
- Misture o combustível ao ar livre, afastado de faíscas ou chamas. Limpe eventuais derrames de combustível. Afaste-se 9 metros do ponto onde realizou o reabastecimento antes de arrancar o motor.
- Antes de reabastecer com combustível, desligue o motor e deixe o produto arrefecer.
- Deixe arrefecer o motor; esvazie o depósito de combustível e fixe bem a unidade antes de a transportar num veículo.
- Pare sempre o motor e assegure-se de que todas as partes móveis param antes de:
  - manutenção
  - deixar o produto sem vigilância
  - limpar o seu produto

- mudar acessórios
- desbloquear
- comprovar se há danos depois de bater num objecto
- comprovar se há danos caso o produto comece a vibrar de um modo anormal
- realizar operações de manutenção
- desmontar a lâmina
- aplicar a lâmina

#### ADVERTÊNCIA

Nunca utilize meios de corte ou acessórios que não sejam especificados pela Ryobi neste Manual. Isto inclui a utilização de correntes articuladas multi-peça metálicas e a utilização de lâminas articuladas. Existe o risco conhecido de estes artigos se fragmentarem durante a utilização, o que constitui um risco elevado de ferimentos graves para o operador ou para quem esteja nas proximidades.

#### ADVERTÊNCIA

Inspecção após quedas ou outros impactos  
Inspecione cuidadosamente o produto para identificar qualquer problema ou dano. Qualquer peça danificada deve ser substituída ou reparada adequadamente por um centro de serviço autorizado.

### AVISOS DE SEGURANÇA DA RECORTADORA DE RELVA

- Substitua a cabeça de fio de corte no caso de estar partida, lascada ou danificada de qualquer outro modo. Certifique-se de que a cabeça de fio está correctamente montada e apertada com firmeza. O facto de não proceder a esta operação pode causar lesões graves.
- Evite o uso em erva molhada.
- Não ande para enquanto usa este produto.
- Ande e nunca corra.
- A lâmina pequena montada na guarda do acessório de corte foi concebida para aparar ao comprimento correcto o fio esticado quando é montado de novo, para obter um desempenho optimizado e em segurança. A lâmina é muito afiada: não lhe toque, especialmente quando limpar o produto.
- Assegure-se sempre que as aberturas de ventilação se mantêm desobstruídas de detritos.
- Antes do seu uso e após qualquer impacto, comprove que não há peças danificadas. Verifique os meios de corte para ver se há sinais de gretas ou outros danos. Os interruptores defeituosos ou qualquer outra peça danificada devem ser substituídos ou reparados adequadamente por um estabelecimento de serviço autorizado.
- Assegure-se de que o acessório da cabeça está correctamente instalado e ajustado.
- Certifique-se de que todas as guardas, deflectores, pegas, parafusos e fixadores estão fixos de forma

correcta e em segurança.

- Não faça nenhuma modificação ao produto. Isto pode aumentar o risco de causar ferimentos a si próprio e a outras pessoas.
- Para a cabeça de corte, utilize apenas a linha de substituição fornecida pelo fabricante. Não utilize nenhum tipo de peça cortante.
- Nunca opere o produto sem a guarda do acessório de corte aplicada em posição e em boas condições.
- Agarre sempre ambas as pegas com firmeza durante a aparagem. Mantenha a cabeça de fio abaixo da altura da cintura. Nunca corte com a cabeça de fio localizada a 76 cm ou mais acima do chão.

### AVISOS DE SEGURANÇA DA ROÇADORA

- Para além das regras acima, estas instruções adicionais são aplicáveis durante a utilização do produto no modo de roçadora.
- Utilize luvas para trabalho pesado quando montar ou desmontar as lâminas: as lâminas têm arestas afiadas.
- Não tente tocar ou parar a lâmina durante a rotação.
- Uma lâmina em movimento pode causar ferimentos graves. Mantenha o produto correctamente sob controlo, com as duas mãos, até a lâmina ter parado completamente de rodar.
- Substitua qualquer lâmina danificada. Verifique sempre se a lâmina está correctamente colocada e fixada de forma segura antes de cada utilização.
- Use apenas lâminas Tri-Arc™ de substituição do fabricante. Não utilize nenhum tipo de peça cortante.
- Nunca corte nenhuns materiais com mais de 13 mm de diâmetro.
- A sua roçadora está equipada com um arnês. Ajuste cuidadosamente o arnês por forma a servir-lhe confortavelmente e a ajudá-lo a suportar o peso do produto do seu lado direito.
- Identifique o mecanismo de libertação rápida e pratique utilizando-o antes de começar a usar a máquina. A sua utilização correta pode prevenir lesões graves em caso de uma emergência. Nunca use roupas adicionais sobre o arnês nem restrinja, de outro modo, o acesso ao mecanismo de libertação rápida.
- Cubra a lâmina com a devida protecção antes de a guardar, ou durante o transporte da mesma. Retire sempre o protector da lâmina antes de usar a unidade. Caso não seja retirado, o protector da lâmina poderia ser projectado quando a lâmina começasse a girar.
- Tenha muito cuidado ao usar a lâmina com o aparelho. A impulsão da lâmina é a reacção que pode ocorrer quando as lâminas em rotação entram em contacto com qualquer coisa que não conseguem cortar. Este contacto pode fazer com que a lâmina pare por um instante, e de repente "impulsione" a unidade afastando-a do objecto em que embateu. Esta reacção pode ser suficientemente violenta para fazer com que o operador perca o controlo da unidade. O impulso da lâmina pode ocorrer sem aviso caso a lâmina fique emaranhada, atolada ou presa. É mais provável que isto ocorra em áreas onde é difícil ver o material a ser cortado.

- Para segurança e facilidade de corte, aproxime-se das ervas daninhas a serem cortadas da direita para a esquerda. No caso de encontrar um objeto inesperado ou cepo de lenha, isto poderia minimizar a reação de impulsão da lâmina. Ambas as mãos devem ser usadas em todos os momentos para controlar este aparelho.

## MONTAGEM

### DESEMBALAGEM

Ver a página 181 -182.

Este produto requer montagem.

- Retire com cuidado a ferramenta e os acessórios da caixa de embalagem. Assegure-se de que todos os elementos referidos na lista da embalagem estão incluídos.
- Controle cuidadosamente a sua ferramenta para se certificar de que não ficou partida nem danificada durante o transporte.

### ⚠ ADVERTÊNCIA

Se qualquer peça estiver danificada ou em falta, não utilize este produto até as peças serem repostas. A inobservância deste aviso pode resultar em graves ferimentos pessoais.

### AJUSTAR O OLHAL PARA A CORREIA

Ver a página 185/189.

Ajuste o olhal para a correia numa posição confortável e equilibrada, por forma a que a lâmina ou o acessório do cortador fique suspenso acima da superfície do chão entre 10 e 30 cm.

### UTILIZAR O ARNÊS

Ver a página 185/189.

**NOTA:** Use sempre o arnês com o produto.

**NOTA:** Para libertar rapidamente o produto do arnês, dê um puxão à patilha de libertação rápida.

### UTILIZAR A CABEÇA DA RECORTADORA DE RELVA REELEASY™ E A LÂMINA TRI-ARC™

- Quando utilizar a cabeça da recortadora de relva ReelEasy™, o deflector de erva tem obrigatoriamente de estar montado na guarda da lâmina. (Ver a página 203).
- Ao usar a lâmina Tri-Arc™, o deflector de erva tem que ser removido do protector da lâmina. (Ver a página 202).

### ⚠ ADVERTÊNCIA

Antes de dar arranque ao motor, desmonte sempre o pino de bloqueio do veio de engrenagem (ver página 185, passo 4)

## UTILIZAÇÃO

### ABASTECIMENTO E REABASTECIMENTO DE COMBUSTÍVEL

Ver a página 184.

- Manuseie sempre o combustível com cuidado, é altamente inflamável.
- Este aparelho é accionado por um motor de 2 tempos, carecendo da pré-mistura de gasolina e de óleo de 2 tempos. Realize a pré-mistura de gasolina sem chumbo e de óleo para motores de 2 tempos num recipiente limpo aprovado para acondicionar gasolina.
- Este motor encontra-se certificado para operar com gasolina sem chumbo prevista para uso em veículos automóveis, com um índice de octanas de 91 ((R + M) / 2) ou superior.
- Não utilize nenhum dos tipos de pré-misturas de gasolina/óleo vendidos em estações de serviço.
- Utilize um óleo de síntese 2 tempos unicamente. Não use lubrificante automotivo ou 2-tempo motor de popa lubrificante.
- Misture 2% de lubrificante sintético a 2 tempos com a gasolina. Esta é uma razão de 50:1.
- Misture o combustível muito bem e sempre que abastecer o aparelho.
- Misture pequenas quantidades. Não misture quantidades superiores às que serão utilizadas ao longo de um período de 30 dias. Recomenda-se a utilização de um óleo de 2 tempos contendo um estabilizador de combustível.

### ENCHIMENTO DO DEPÓSITO

- Limpe a superfície à volta do tampão do depósito de combustível para evitar a contaminação.
- Desaperte o tampão do depósito de combustível devagar para permitir o alívio da pressão e impedir que o combustível saia pelo rebordo do tampão.
- Deite a mistura de combustível no depósito, de forma cuidadosa. Evite derramar combustível.
- Antes de colocar o tampão, limpe e examine a junta.
- Coloque imediatamente o tampão do depósito de combustível e aperte-o à mão. Limpe eventuais derrames de combustível. Afaste-se 9 m (30 pés) do local de abastecimento antes de ligar o motor.

### PARA DAR ARRANQUE AO MOTOR UTILIZANDO UM MOTOR DE ARRANQUE ELÉCTRICO (OPCIONAL):

Ver a página 196 - 201.

### ⚠ ADVERTÊNCIA

Utilize apenas o motor de arranque eléctrico Ryobi OES18. A utilização de qualquer outro motor de arranque pode danificar o motor e causar ferimentos graves.

### ⚠ ADVERTÊNCIA

Antes de utilizar o motor de arranque eléctrico para dar arranque ao produto, leia e compreenda completamente o Manual de Instruções do motor de arranque eléctrico OES18, para evitar erros de operação e ferimentos graves.

- Agarre a pega isolada com a sua mão esquerda e,



com a mão direita, aplique o veio da ponta de engate do motor de arranque no respectivo furo no motor. De contrário, o motor não trabalha.

- Certifique-se de que a ponta de engate do motor de arranque está correctamente engatada.

**NOTA:** O motor de arranque eléctrico está equipado com um bloqueio de segurança. Não mantenha carregado o botão do interruptor quando aplicar o veio do motor de arranque eléctrico no respectivo furo no motor. O motor de arranque não roda se o motor de arranque eléctrico não estiver correctamente engatado.

#### UTILIZAÇÃO DA RECORTADORA DE RELVA

Ver a página 189.

**RBC31SESO:** Agarre o produto com a mão direita na pega traseira e a mão esquerda na pega dianteira.

**RBC31SBO:** Fixe o produto com a mão direita no manípulo com gatilho e a mão esquerda no manípulo esquerda.

- Segure firmemente com ambas as mãos durante a operação.
- O produto deve ser segurada numa posição confortável com a pega do activador sobre a altura anca.
- Opere sempre o produto em plena aceleração. O corte prolongado com aceleração parcial até que goteie lubrificante do silenciador.
- Corte a relva alta de cima para baixo para impedir que a relva se envolva em torno da estrutura do eixo e da cabeça do fio, o que pode causar danos por sobreaquecimento.
- Se erva ou detritos ficarem enrolados à volta dos meios de corte, pare o motor e tire a erva. Utilize luvas para trabalho pesado para evitar ferimentos causados pelas lâminas afiadas e, cuidadosamente, remova os detritos.
- Não force a entrada a direito pela erva a ser cortada. Faça o corte em passagens para um lado e para o outro. Avance um pouco para a frente no final de cada passagem.
- Mantenha o aparelho inclinado para a área de corte.
- Evite os lugares perigosos.
- Utilize a ponta do fio para cortar; não force a cabeça de fio de corte na relva não cortada.
- As cercas de madeira ou arame provocam um desgaste excessivo do fio, incluindo a ruptura. As paredes de pedra e tijolos, as bermas e a madeira podem desgastar rapidamente o fio.
- Evite as árvores e arbustos. A casca de árvore, as molduras de madeira, o revestimento exterior e as estacas das cercas podem ser danificados facilmente pelo fio de corte.

#### OPERAR A MÁQUINA CORTA-MATO

Ver a página 192.

Para ajudar a reduzir o risco de ressalto: Não force a entrada a direito pelo material a ser cortado. Faça deslocar o corte da direita para a esquerda, em passagens regulares. Avance um pouco para a frente no início de cada nova passagem.

**RBC31SESO:** Agarre o produto com a mão direita na pega

traseira e a mão esquerda na pega dianteira.

**RBC31SBO:** Fixe o produto com a mão direita no manípulo com gatilho e a mão esquerda no manípulo esquerda.

- O produto deve ser segurada numa posição confortável com a pega do activador sobre a altura anca.
- Segure bem e mantenha o seu equilíbrio em ambos os pés. Posicione-se de modo a que não perca o equilíbrio com a reacção de ricochete da lâmina de corte.
- Ajuste o suporte da correia para uma posição cómoda.
- Tenha muito cuidado ao usar a lâmina com o aparelho. A impulsão da lâmina é a reacção que pode ocorrer quando as lâminas em rotação entram em contacto com qualquer coisa que não consigam cortar. Este contacto pode fazer com que a lâmina pare por um instante, e de repente "impulsione" a unidade afastando-a do objecto em que embateu. Esta reacção pode ser suficientemente violenta para fazer com que o operador perca o controlo da unidade. O impulso da lâmina pode ocorrer sem aviso caso a lâmina fique emaranhada, atolada ou presa. É mais provável que isto ocorra em áreas onde é difícil ver o material a ser cortado. Para segurança e facilidade de corte, aproxime-se das ervas daninhas a serem cortadas da direita para a esquerda. **No caso de encontrar um objeto inesperado ou cepo de lenha, isto poderia minimizar a reacção de impulsão da lâmina.**

#### TRANSPORTE E ARMAZENAMENTO

- Pare o produto e deixe arrefecer antes de guardá-la ou transportá-la.
- Limpe todos os materiais estranhos do produto.
- Se estiver montada uma lâmina de corte, cubra-a com o protector da lâmina.
- Drene totalmente o combustível do depósito para um recipiente aprovado para acondicionar gasolina. Não se esqueça de voltar a montar correctamente o tampão de combustível e de lhe dar aperto.
- Deixe o motor a trabalhar até que o mesmo páre. Isto irá esvaziar todo o combustível que poderia degradar-se: quando o combustível se degrada, suja o interior do sistema de combustível com vernizes e gomas.
- Guarde-o num local fresco e seco e bem ventilado a que as crianças não consigam aceder. Mantenha-o afastado de substâncias corrosivas, tais como produtos químicos utilizados em jardinagem e sais de descongelamento. Não armazenar ao ar livre.
- Para transportar, prenda o aparelho de modo a evitar que este se mova ou caia, para evitar lesões ou danos no produto.
- Não leve nem transporte o produto enquanto estiver a funcionar.
- Cumpra todos os regulamentos aplicáveis nacional e localmente ao armazenamento e ao manuseio seguros de gasolina. O combustível que sobrar deve ser utilizado noutros equipamentos accionados por motores de 2 tempos.

EN
FR
DE
ES
IT
NL
PT
DA
SV
FI
NO
RU
PL
CS
HU
RO
LV
LT
ET
HR
SL
SK
BG
UK
TR

## CURTO PRAZO

- Antes de armazenar, desligue o motor e deixe-o arrefecer.
- Limpe todos os materiais estranhos do produto.
- Guarde-o num local fresco e seco e bem ventilado a que as crianças não consigam aceder.
- Mantenha-o afastado de substâncias corrosivas, tais como produtos químicos utilizados em jardinagem e sais de descongelação.
- Não armazenar ao ar livre.

## MANUTENÇÃO

### ⚠ ADVERTÊNCIA

Utilize apenas peças de substituição, acessórios e encaixes do fabricante original. A inobservância desta indicação pode causar um fraco desempenho, possíveis lesões e poderá anular a sua garantia.

### ⚠ ADVERTÊNCIA

O acessório de corte não deve rodar no vazio. Se este requisito não for satisfeito, o acoplamento tem de ser ajustado ou a máquina necessita ser submetida urgentemente a manutenção por um técnico qualificado.

### ⚠ ADVERTÊNCIA

Um tampão do combustível com fuga é um perigo de fogo e deve ser substituído imediatamente.

### ⚠ ADVERTÊNCIA

Note que a porca da lâmina é uma porca autoblocante com nylon, a qual se destina a ser utilizada para uma única montagem. Não reutilize a porca autoblocante com nylon. Quando montar/voltar a montar, utilize uma porca autoblocante com nylon nova. O não cumprimento de todas as instruções poderá resultar em ferimentos pessoais graves.

### ⚠ ADVERTÊNCIA

Quando montar a lâmina, certifique-se de que a força de aperto (binário) é  $\geq 25$  Nm. O não cumprimento de todas as instruções poderá resultar em ferimentos pessoais graves. (ver página 202, passo 4)

- Pare sempre o motor e deixe que arrefeça antes de fazer a manutenção.
- Pode realizar os ajustes e reparações descritos neste manual do utilizador. Para outras reparações, leve a unidade para ser reparada por um agente de assistência autorizado.
- As consequências de uma manutenção imprópria podem incluir o excesso de depósitos de carbono que resultam em perda de desempenho e descarga de resíduo oleoso negro do silenciador.

- Ao substituir a linha use sempre linha com filamento de nylon com o diâmetro descrito na tabela de especificações neste manual.
- Após ter estendido a nova linha do aparador, volte sempre a colocar o produto na sua posição normal de operação antes de o ligar. Limpar o produto com um pano suave seco depois de cada uso.
- Assegure-se que todas as protecções, fitas, deflectores e pegas estão presas de forma correcta e firme para evitar o risco de lesões.

## CALENÁRIO DE MANUTENÇÃO

Certifique-se de que o fixador está totalmente apertado.	Antes de cada uso
Inspeccione: O acessório de corte não deve rodar no vazio. <sup>2</sup>	Antes de cada uso
Verificar o tubo flexível de combustível	Antes de cada uso
Verificar todas as ligações do tubo flexível	Antes de cada uso
Limpar o depósito de combustível e o filtro de combustível <sup>1</sup>	A cada 3 meses ou 50 horas de utilização
Substituir o filtro do combustível <sup>1</sup>	A cada ano ou após 300 horas de utilização
Inspeccione o tampão de combustível ou o respiradouro do depósito de combustível (se estiver equipado), procurando fugas	Antes de cada uso
Limpe o filtro de ar.	Cada 25 horas
Mudar o filtro do ar	A cada ano ou após 300 horas de utilização
Limpe a vela de ignição ou ajuste a folga dos eléctrodos da vela de ignição	A cada 6 meses ou 100 horas de utilização
Monte uma vela de ignição nova.	A cada ano ou após 300 horas de utilização
Limpe o tapa-faíscas	Cada 25 horas
Substitua com um novo bloqueador de ignição.	A cada ano ou após 300 horas de utilização
Limpeza da fresta de escape e do silenciador	Cada 25 horas

<sup>1</sup> Estas acções só devem ser executadas por um centro de assistência técnica autorizado.

<sup>2</sup> Se este requisito não for cumprido, contacte um centro de assistência autorizado, para reparação ou afinação.

## RISCOS RESIDUAIS:

Mesmo quando se utiliza o produto segundo as instruções, continua a ser impossível eliminar por completo certos fatores de risco residuais. Os seguintes perigos podem surgir na utilização e o operador deve prestar especial atenção para evitar o seguinte:

- Contacto com os meios de corte.
  - Quando o produto não estiver a ser utilizado, certifique-se de que os protectores da lâmina estão aplicados. Mantenha as mãos e os pés afastados das lâminas em todas as circunstâncias.
- Lesões por vibração.
  - Use sempre a ferramenta certa para o trabalho, use pegas concebidas e restrinja o tempo e exposição de trabalho.
- Danos auditivos causados pela exposição ao ruído.
  - Use protecção para os ouvidos e limite o tempo de exposição.
- Lesões oculares provocadas por detritos projetados.
  - Use sempre protecção para os olhos.
- Risco de queda de objetos
  - Use protecção para a cabeça se houver o risco de queda de objectos.

Pode haver ressaltos quando utilizar a roçadora. Certifique-se de que mantém o produto correctamente sob controlo, utilizando ambas as mãos nas pegas indicadas. Leia e siga as instruções noutros pontos deste Manual, para ajudar a reduzir o risco de ressalto.

## REDUÇÃO DO RISCO

Foi reportado que as vibrações das ferramentas de mão podem contribuir para uma doença designada de Síndrome de Raynaud em determinados indivíduos. Os sintomas podem incluir formigueiro, entorpecimento e empaldecimento dos dedos, habitualmente visível aquando da exposição ao frio. Estima-se que os factores hereditários, exposição ao frio e humidade, dieta, tabagismo e práticas de trabalho contribuem todos para o desenvolvimento destes sintomas. Existem medidas que podem ser tomadas pelo operador para possivelmente reduzir os efeitos da vibração:

- Mantenha o seu corpo quente durante o tempo frio. Ao operar o produto, use luvas para manter as mãos e os pulsos quentes. Encontra-se reportado que o tempo frio é um grande factor que contribui para a Síndrome de Raynaud.
- Após cada período de operação, exercite para aumentar a circulação sanguínea.
- Certifique-se de que a máquina está correctamente situada numa posição de trabalho adequado antes de iniciar a máquina.
- Limite o tempo de exposição por dia. Faça pausas frequentes no trabalho.

Caso sinta algum dos sintomas desta doença, interrompa de imediato a sua utilização e consulte o seu médico sobre estes sintomas.

## ⚠ ADVERTÊNCIA

O uso prolongado de uma ferramenta pode causar o agravar lesões. Ao usar qualquer ferramenta durante períodos prolongados, assegure-se que faz intervalos regulares.

## CONHEÇA O SER APARELHO

1. Manipulo do dispositivo de arranque
2. Tampa do Combustível
3. RBC31SBO: Guiador
4. RBC31SBO: Veio de transmissão
5. Protecção da lâmina
6. Deflector de Erva
7. Porca de nylon
8. Anilha da lâmina
9. Arruela de concha
10. Protector da lâmina
11. Lâmina Tri-Arc™
12. Carcaça superior da cabeça de fio
13. Bobina
14. Maçaneta anti-choque
15. Carcaça inferior da cabeça de fio
16. Linha de corte
17. RBC31SBO: Interbloqueio do acelerador
18. RBC31SBO: Actuador do acelerador
19. Interruptor de ignição
20. RBC31SBO: Bloqueio do acelerador
21. Faixa de alça
22. RBC31SESO: Eixo inferior
23. RBC31SESO: Botão
24. RBC31SESO: Eixo superior
25. RBC31SESO: Pega frontal
26. RBC31SESO: Actuador do acelerador
27. RBC31SESO: Bloqueio do acelerador

## SÍMBOLOS NO PRODUTO



Aviso



Leia e compreenda todas as instruções antes de manipular o produto, respeite os alertas e as instruções de segurança.



Coloque protecção para olhos, ouvidos e cabeça.



Utilize calçado de segurança antidesslizante quando utilizar este produto.



Use luvas de trabalho resistentes, antidesslizantes.



Tenha cuidado com os objectos voláteis ou lançados. Mantenha todos os espectadores, especialmente crianças e animais de estimação, a pelo menos 15 m da área de funcionamento.

EN  
FR  
DE  
ES  
IT  
NL  
PT  
DA  
SV  
FI  
NO  
RU  
PL  
CS  
HU  
RO  
LV  
LT  
ET  
HR  
SL  
SK  
BG  
UK  
TR



O produto não está preparada para uso com uma lâmina de tipo serra dentada.



Para reduzir o risco de ferimentos ou danos, evite o contacto com qualquer superfície quente.



Mantenha as mãos afastadas das lâminas.



Nível de potência sonora garantido



Posição de funcionamento



Defina a alavanca de controlo para a posição de "FULL".



Defina a alavanca de controlo para a posição de "HALF".



Tempo de espera 10 segundos



**ESCORVE**

Pressione o cartucho principal 10 vezes.



Puxe o cordão do motor de arranque



Aperte o gatilho de aceleração para iniciar o funcionamento



Mantenha o acelerador na posição premindo o botão de bloqueio do acelerador.



Utilize gasolina sem chumbo destinada aos veículos com um índice de octanas de 91 ((R+M)/2) ou superior.



Utilize óleo de 2 tempos para motores refrigerados por ar.



Misture bem a mistura de combustível e também cada vez que vá encher.



Como dar arranque à mão com o motor frio



Como dar arranque à mão com o motor quente



Como dar arranque eléctrico com o motor frio



Como dar arranque eléctrico com o motor quente



Símbolo de veio direito: Quando montar a bobina de fio no meio de corte, este símbolo deverá ficar visível para o operador.



A lâmina Tri-Arc™ é adequada para este produto e destina-se a cortar ervas daninhas com polpa e plantas trepadoras.



Cuidado com o impulso da lâmina



Direcção de rotação e velocidade máxima do eixo para o acessório de corte



Puxar  
Guia de libertação rápida



Esta ferramenta obedece a todas as normas regulamentares do país da UE onde foi comprada.



Marca de conformidade EurAsian



Marca de conformidade ucraniana

As seguintes palavras de sinal e significados destinam-se a explicar os níveis de risco associados a este produto.

#### **⚠ PERIGO**

Indica uma situação perigosa iminente, que, se não evitada, poderá resultar em morte ou ferimentos graves.

#### **⚠ ADVERTÊNCIA**

Indica uma situação potencialmente perigosa, que, se não evitada, poderá conduzir à morte ou graves lesões.

#### **⚠ ADVERTÊNCIA**

Indica uma situação potencialmente perigosa, que, se não evitada, poderá resultar em pequenas ou moderadas lesões.

#### **ADVERTÊNCIA**

Sem símbolo de alerta de segurança

Indica uma situação que pode resultar em danos de propriedade.

### SÍMBOLOS NESTE MANUAL



Nota



Aviso

Ved udformningen af din buskrydder/plænetrimmer har vi givet topprioritet til sikkerhed, gode resultater og driftssikkerhed.

### TILTÆNKET ANVENDELSESFORMAL

Buskrydderen/plænetrimmeren er kun beregnet til at blive brugt af voksne, som har læst og forstået instruktionerne og advarslerne i denne vejledning, og som kan betragtes som værende ansvarlige for deres handlinger. Produktet er kun beregnet til brug i et godt ventileret område. Af sikkerhedsmæssige årsager skal produktet betjenes med to hænder, så man kan kontrollere det ordentligt.

Produktet, som er tilpasset med trimmerhoved (og passende skærm), er beregnet til at skære langt græs, blødt ukrudt og lignende plantevækst i jordhøjde. Hvis Tri-Arc™-klingen er monteret (med passende afskærmning), kan du også beskære buske. Produktet er ikke designet til at blive tilpasset med en savklinge.

Klippeplanet bør så vidt muligt være omtrent parallelt med jordoverfladen. Produktet bør ikke bruges til klipning eller trimning af hække, buske eller anden vegetation, hvor klippeplanet ikke er parallelt med jordoverfladen.

Må ikke bruges til andre formål.

#### ⚠ ADVARSEL

For at mindske risikoen for uheld, så bør brugeren læse og forstå denne brugermanual.

#### ⚠ ADVARSEL

Forsøg ikke at betjene produktet, indtil du har læst og fuldt forstået alle instruktioner og sikkerhedsregler i denne vejledning. Manglende overholdelse af denne instruks kan medføre elektrisk stød, brand og/eller alvorlige personskader. Gem denne brugsanvisning, og slå jævnlige op i den for fortsat sikker brug; instruéer andre, som evt. skal bruge dette produkt.

#### ⚠ ADVARSEL

Produktet er ikke beregnet til at blive benyttet af børn eller personer med nedsatte fysiske, mentale eller sensoriske evner. Børn bør holdes under tilstrækkeligt opsyn, så man er sikker på, at de ikke leger med produktet.

### GENERELLE SIKKERHEDSADVARSLER

- Af hensyn til sikker betjening skal man læse og forstå alle anvisninger, inden produktet anvendes. Følg alle sikkerhedsvejledninger. Undlad at følge alle anvisninger, risikerer man alvorlige ulykker, der kan være livsfarlige.
- Nogle områder har regler, som begrænser brugen af produktet. Forhør dig hos de lokale myndigheder.
- Lad ikke børn eller uskoede personer bruge dette produkt.
- Motoren må aldrig startes eller køres i lukkede eller dårligt ventilerede områder; indånding af udstødningsrøg kan være dødelig.
- Ryd arbejdsområdet inden hver ibrugtagning. Fjern alle genstande såsom klipper, knust glas, negle, kabel

eller snor, som kan blive kastet ud eller blive viklet ind i snorhovedet eller klingen.

- Benyt fuldt øjen- og høreværn under arbejde med dette produkt. Hvis der arbejdes i et område med fare for nedfaldende genstande, skal der bæres hovedværn.
- Øreværn kan nedsætte operatørens evne til at høre advarselslyde. Vær særligt opmærksom på potentielle faremomenter omkring og i arbejdsområdet
- Benyt kraftige lange benklæder, skridsikret beskyttelsesfodtøj og -handsker. Undlad at bære løstsiddende tøj, korte bukser, smykker af enhver art eller gå barfodet.
- Langt hår skal bindes op over skulderniveau, så det ikke risikerer at vikle sig ind i bevægelige dele.
- Alle tilskuere, børn og dyr skal være mindst 15 m væk. Stop produktet, hvis uvedkommende kommer ind i området.
- Undlad at bruge dette produkt, hvis du er træt, syg eller påvirket af alkohol, narkotika eller medikamenter.
- Må ikke anvendes under dårlige lysforhold. Operatøren skal have uhindret udsyn for at kunne identificere potentielle faremomenter.
- Sørg for altid at have godt fodfæste og god balance. Overstræk ikke. Ved at læne sig for langt frem kan man miste balancen eller på anden måde udsætte sig for varme overflader.
- Hold alle legemsdele på afstand af alle bevægelige dele.
- Rør ikke området omkring produktets lydtdæmper eller cylinder; disse dele bliver varme under drift.
- Stop altid motoren, og lad den køle af, før du foretager justeringer.
- Undlad at ryge, når du blander brændstof eller fylder brændstoftanken.
- Bland og opbevar brændstof i en beholder godkendt til brændstof.
- Benzin/olie skal blandes udendørs og på afstand af steder, hvor gnister eller åben ild forekommer. Alt evt. benzinspild skal optørres. Flyt produktet mindst 9 m bort fra tankningsstedet, inden motoren startes.
- Stop motoren, og lad produktet køle ned før påfyldning.
- Lad motoren køle af; tøm brændstoftanken, og fastgør produktet, så det ikke kan bevæge sig, inden det transporteres i et køretøj.
- Stop altid motoren, og kontrollér, at alle bevægelige dele er standset, inden:
  - servicering
  - at efterlade produktet uden opsyn
  - rengøring af produktet
  - Udskitning af tilbehør
  - rydning af blokeringer
  - kontrol for evt. skader efter kollision med et objekt
  - kontrol for evt. skader, hvis produktet begynder at vibrere unormalt
  - udførelse af vedligeholdelsesarbejde
  - fjerne klinge
  - montering af klingen

EN  
FR  
DE  
ES  
IT  
NL  
PT  
DA  
SV  
FI  
NO  
RU  
PL  
CS  
HU  
RO  
LV  
LT  
ET  
HR  
SL  
SK  
BG  
UK  
TR

### ⚠ ADVARSEL

Anvend aldrig skæretilbehør eller udstyr, som ikke er angivet af Ryobi i denne manual. Dette inkluderer brugen af drejelige flerledskæder af metal og plejklinger. Disse emner er kendte for at gå i stykker under brug og skaber høj risiko for alvorlig tilskadekomst for operatøren eller personer, der står ved siden af.

### ⚠ ADVARSEL

Inspektion efter tab eller andre slagpåvirkninger  
Produktet skal inspiceres grundigt, og evt. påvirkninger eller skader skal lokaliseres. Enhver del, som bliver beskadiget, skal repareres ordentligt eller udskiftes på et autoriseret servicecenter.

### SIKKERHEDSADVARSLER PLÆNETRIMMER

- Udskift trådhovedet hvis det er revnet, splintret eller på anden måde beskadiget. Sørg for, at snorhovedet er ordentligt monteret og sikkert fastgjort. Gør man ikke det, er der fare for alvorlige personskader.
- Undgå brug på vådt græs.
- Undgå at gå baglæns under brug af produktet.
- Gå, løb aldrig.
- Den lille klinge, der er monteret på skæreudstyrskærmningen, er beregnet til at afskære ny ekstra snor til den korrekte længde, så du får sikre og optimale resultater. Det er skarpt; rør det ikke, særligt ikke ved rengøring af produktet.
- Sørg altid for, at ventilationsåbningerne er fri for affald.
- Inden ibrugtagning og efter enhver ydre påvirkning skal man kontrollere, at der ikke findes beskadigede dele. Man undersøger klippeudstyret for tegn på brud eller anden skade. En defekt kontakt eller en del, som er blevet beskadiget, skal repareres ordentligt eller udskiftes på et autoriseret serviceværksted.
- Kontrollér, at trimmerhovedet er monteret korrekt og ordentligt fastgjort.
- Sørg for, at alle skærme, defektorer, håndtag, bolte og låse er ordentligt og sikkert fastgjorte.
- Du må ikke ændre produktet på nogen måde. Det kan forøge risikoen for kvæstelse for dig selv eller andre.
- Brug kun fabrikantens reservesnor i skærehovedet. Der må ikke bruges andet skærende udstyr.
- Bøjlen aldrig produktet, hvis skæreudstyrskærmningen ikke er sat på og ikke er i god stand.
- Hold godt fast på begge håndtag, mens der trimmes. Hold snorhovedet under taljeniveau. Man må aldrig klippe med trådhovedet i en position højere end 76 cm over jorden.

### SIKKERHEDSREGLER FOR BUSKRYDDER

- Foruden ovenstående regler er disse yderligere instruktioner relevante, når produktet bruges som buskrydder.
- Brug kraftige handsker, når du installerer eller fjerner klinger, da de har skarpe kanter.

- Forsøg aldrig at røre ved eller stoppe en roterende klinge.
- En bevægelig klinge kan forårsage alvorlige skader. Sørg for at have ordentlig kontrol over produktet med begge hænder, indtil klingens er stoppet fuldstændigt med at dreje.
- En beskadiget klinge skal straks udskiftes. Kontrollér altid, at klingens er korrekt monteret og ordentligt fastgjort inden ibrugtagning.
- Brug kun producentens Tri-Arc-udskiftningsklinger. Der må ikke bruges andet skærende udstyr.
- Beskær aldrig materiale over 13 mm diameter.
- Din buskrydder er udstyret med en sele. Juster selen, så den sidder behageligt og kan støtte vægten af produktet på din højre side.
- Lokalisér hurtigudløsningsmekanismen, og øv dig i at bruge denne, inden du tager maskinen i brug. Korrekt brug af denne funktion kan forhindre alvorlige personskader i en nødsituation. Man må aldrig bære anden beklædning uden på skulderstroppen eller på anden måde begrænse adgangen til den hurtige udløsemekanisme.
- Beskyt klingens klingebeskytteren inden opbevaring af produktet - eller under transport. Husk altid at fjerne klingebeskytteren, inden produktet tages i brug. I modsat fald risikerer man, at klingebeskytteren slynges ud, når klingens begynder at rotere.
- Vær meget påpasselig ved arbejdet med klingens på dette produkt. Klinge-tilbageslag er en reaktion, der kan opstå, når den roterende klinge rammer noget, som den ikke kan skære igennem. Denne kollision kan bevirke, at klingens stopper et øjeblik og pludselig "slår" enheden tilbage fra den ramte genstand. Denne reaktion kan være kraftig nok, til at operatøren mister kontrollen over produktet. Klinge-tilbageslag kan ske uden varsel, hvis klingens hænger fast, går i stå eller blokerer. Faren, for at det sker, er størst i områder, hvor det er vanskeligt at se det materiale, der skæres i.
- For bedre skærekødfort og sikkerhed bør man angribe ukrudtet fra højre mod venstre. Herved minimeres klingens tilbageslag, hvis man skulle støde på en uventet genstand eller en træstub. Man skal altid bruge begge hænder til at kontrollere dette produkt.

### MONTERING

#### UDPAKNING

Se side 181-182.

Dette produkt skal samles.

- Tag forsigtigt værktøjet og alt tilbehøret ud af boksen. Kontrollér, at alle delene på paklisten er indeholdt i leveringen.
- Inspicér værktøjet omhyggeligt for evt. brud eller skader opstået under transporten.

### ⚠ ADVARSEL

Hvis dele enten er beskadiget eller mangler, så anvend ikke produktet før disse dele er udskiftet. Manglende overholdelse af denne advarsel kan medføre alvorlig personskade.

### JUSTERING AF STROPPE

Se side 185/189.

Justér stroppen til en behagelig og balanceret position, hvor klingens eller skæretilbehøret vil hænge 100 - 300 mm over jordens overflade.

### BRUG AF SELEN

Se side 185/189.

**BEMÆRK:** Brug altid selen sammen med produktet.

**BEMÆRK:** For hurtigt at udløse produktet fra selen skal du trække kraftigt i hurtigaktiveringstappen.

### BRUG AF REELEASY™-GRÆSTRIMMERHOVED OG TRI-ARC™-KLINGE

- Ved brug af ReelEasy™-græstrimmerhovedet skal græsdeflektoren sættes fast på klingefaskærmningen. (Se side 203).
- Når man bruger Tri-Arc™-klingen, skal græsdeflektoren være fjernet fra klingeskærmen. (Se side 202).

### ⚠ ADVARSEL

Fjern altid stiften til at låse gearakselen, før du starter motoren (se side 185, trin 4)

### VEKSELSTRØM

### BRÆNDSTOF OG OPTANKNING

Se side 184.

- Brændstof skal altid håndteres forsigtigt; det er meget brændbart.
- Maskinen drives af en 2-taktsmotor. Den kræver benzin tilsat 2-taktsolie, der skal iblandes i forvejen.
- Bland blyfri benzin og 2-taktsolie i en ren dunk, som er godkendt til brændstof.
- Motoren er godkendt til blyfri bilbenzin med oktantal 91 ((R + M)/2) eller højere, tilsat 2-taktsolie.
- Brug udelukkende syntetisk 2-taktsolie. Anvend ikke autoscøtelse eller 2-cyklus påhængsmotor smørelse.
- Bland 2 % syntetisk totaktolie i benzinen. Dette svarer til blandingsforholdet 50:1.
- Bland benzin og olie omhyggeligt og ryst dunken inden hver optankning.
- Bland benzin og olie i små mængder. Der bør ikke blandes mere benzin/olie, end der skal bruges i løbet af en måned. Det anbefales at anvende syntetisk 2-taktsolie med stabiliserende additiv.

### OPTANKNING

- Gør rent omkring dækslet, så der ikke kommer urenheder i tanken.
- Udlign evt. overtryk i tanken ved at løsne tankdækslet

langsomt, så benzinen ikke trænger ud omkring dækslet.

- Hæld forsigtigt benzinblanding i tanken. Undgå at spilde benzin.
- Rens og inspicér pakningen, før tankdækslet sættes på igen.
- Sæt straks derefter dækslet på plads og spænd det fast med håndkraft. Alt evt. benzinspild skal optørres. Flyt enheden 9 m bort fra tankningsstedet, inden motoren startes.

### START AF MOTOREN VED HJÆLP AF EN ELEKTRISK STARTER (EKSTRAUDSTYR):

Se side 196 - 201.

### ⚠ ADVARSEL

Der må kun bruges en elektrisk starter af typen Ryobi OES18. Brug af andre startere kan skade motoren og forårsage alvorlige personskader.

### ⚠ ADVARSEL

Før du anvender en elektrisk starter til at starte produktet, skal du læse og fuldstændigt forstå betjeningsmanualen til den elektriske starter OES18 for at undgå forkert brug og alvorlige personskader.

- Hold fast i den isolerede aksel med venstre hånd, og brug højre hånd til at anbringe akslen med startbitten i motorens akselhul. Motoren vil ellers ikke køre.
- Sørg for, at starterens bit aktiveres korrekt.

**BEMÆRK:** Den elektriske starter er udstyret med en sikkerhedslås. Tryk ikke ned på kontaktknappen, og hold den ikke nede, når du anbringer den elektriske starters aksel i motorens akselhul. Starteren vil ikke tænde, hvis den elektriske starter ikke aktiveres korrekt.

### BETJENING AF GRÆSTRIMMEREN

Se side 189.

**RBC31SESO:** Hold produktet med den højre hånd på styret og den venstre hånd på det forreste håndtag.

**RBC31SBO:** Hold produktet med højre hånd på aftrækkerhåndtaget og venstre hånd på det venstre håndtag.

- Hold godt fast med begge hænder under arbejdet.
- Produktet skal holdes i en behagelig position med udløserhåndtaget over hoftehøjde.
- Brug altid produktet ved fuld hastighed. Længere klipning ved delvis hastighed, vil medføre at der drypper smøremiddel fra lydæmperen.
- Klip højt græs fra toppen og nedefter for at forhindre at græsset snor sig om akslen og trimmehovedet, hvilket kan medføre overophedning.
- Hvis græs eller affald sætter sig fast om skæreenhederne, skal du stoppe motoren. Brug kraftige handsker for at undgå skader fra de skarpe klinger, og fjern affaldet forsigtigt.
- Skub ikke ind i græsset, når du vil klippe det. Bevæg maskinen fra side til side. Bevæg dig en smule frem

for hvert strøg.

- Hold produktet vippet mod området der skal klippes.
- Brug ikke udstyret i farlige omgivelser.
- Brug spidsen af tråden til at klippe; tving ikke trimmehovedet ind i højt græs.
- Trådhegn og stakitter kan forårsage ekstra slid af tråden, selv brud. Sten og murstensvægge, kantsten og træ slider tråden hurtigt.
- Undgå træer og buske. Bark, trælisler, beklædning og hegnsplæne kan let blive beskadiget af tråden.

## BETJENE BUSKRYDDEREN

Se side 192.

For at reducere risikoen for tilbageslag: Skub ikke ind i det materiale, der skal klippes. Bevæg maskinen fra højre til venstre i rolige strøg. Bevæg dig en smule frem for hvert nyt strøg.

**RBC31SESO:** Hold produktet med den højre hånd på styret og den venstre hånd på det forreste håndtag.

**RBC31SBO:** Hold produktet med højre hånd på aftrækkerhåndtaget og venstre hånd på det venstre håndtag.

- Produktet skal holdes i en behagelig position med udløserhåndtaget over hoftehøjde.
- Fasthold grebet, og stå afbalanceret på begge ben. Stil dig på en måde, så du ikke risikerer at komme ud af balance pga. klingens tilbageslags-reaktion.
- Indstil stropholderen i en komfortabel position.
- Vær meget påpasselig ved arbejdet med klingens tilbageslag. Klinge-tilbageslag er en reaktion, der kan opstå, når den roterende klinge rammer noget, som den ikke kan skære igennem. Denne kollision kan bewirke, at klingens stopper et øjeblik og pludselig "slår" enheden tilbage fra den ramte genstand. Denne reaktion kan være kraftig nok, til at operatøren mister kontrollen over produktet. Klinge-tilbageslag kan ske uden varsel, hvis klingens hænger fast, går i stå eller blokerer. Faren, for at det sker, er størst i områder, hvor det er vanskeligt at se det materiale, der skæres i. For bedre skærekomfort og sikkerhed bør man angribe ukrudtet fra højre mod venstre. **Herved minimeres klingens tilbageslag, hvis man skulle støde på en uventet genstand eller en træstub.**

## TRANSPORT OG OPBEVARING

- Stop produktet, og lad det køle af, inden den opbevares eller transporteres.
- Afrens alle fremmedlegemer fra produktet.
- Hvis en skæreklinge tilpasses, skal det tildækkes med klingebeskytter.
- Tøm benzintanken helt. Brug en dunk, der er godkendt til brændstof. Husk at sætte brændstofhætten korrekt på og stramme den.
- Start motoren og lad den gå, til den kører tør. Dette vil fjerne alt brændstof, der ellers ville blive mugnet og efterlade rester og klæbrigt materiale i brændstofsysteet.
- Opbevar den på et køligt, tørt og godt ventileret sted

utilgængeligt for børn. Opbevar motorsaven på afstand af ætsende midler som f.eks. havekemikalier og optøningsssalt. Må ikke opbevares uendørs.

- Til transport skal man sikre produktet, så den ikke kan bevæge sig eller vælte; dette for at forebygge personskader eller skader på produktet.
- Produktet må aldrig bæres eller transporteres, mens det kører.
- Overhold alle ISO-normer og gældende bestemmelser for sikker opbevaring og håndtering af benzin. Overskydende benzin bør opbruges i et fartøj eller en anden maskine med 2-taktsmotor.

## PÅ KORT SIGT

- Stop motoren, og lad den køle af før opbevaring.
- Afrens alle fremmedlegemer fra produktet.
- Opbevar den på et køligt, tørt og godt ventileret sted utilgængeligt for børn.
- Opbevar motorsaven på afstand af ætsende midler som f.eks. havekemikalier og optøningsssalt.
- Må ikke opbevares uendørs.

## VEDLIGEHOLDELSE

### ⚠ ADVARSEL

Brug kun originale reservedele, ekstraudstyr og tilbehør fra producenten. I modsat fald er der fare for personskader, dårlig maskinydelse og annullering af garantien.

### ⚠ ADVARSEL

Klippeudstyret må ikke rotere i tomgang. Hvis denne betingelse ikke tilfredsstilles, skal koblingen indstilles eller maskinen har brug for omgående vedligeholdelse af en kvalificeret tekniker.

### ⚠ ADVARSEL

Et utæt brændstofdæksel udgør en brandrisiko og skal omgående udskiftes.

### ⚠ ADVARSEL

Bemærk, at klingemøtrikken er en Nyloc-møtrik, der kun skal bruges én gang til monteringen. Nyloc-møtrikken må ikke genbruges. Ved installering/geninstallering skal du bruge en ny Nyloc-møtrik. Undlad at følge alle anvisninger, risikerer man alvorlige ulykker, der kan være livsfarlige.

### ⚠ ADVARSEL

Sørg for, at møtrikkens moment er  $\geq 25$  nm ved montering af klippeknaven. Undlad at følge alle anvisninger, risikerer man alvorlige ulykker, der kan være livsfarlige. (se side 202, trin 4)



- Stop altid motoren, og lad den køle af, inden påbegyndelse af enhver form for vedligeholdelse.
- Du kan lave justeringer og reparationer beskrevet i denne brugervejledning. Mht. øvrige reparationer skal produktet serviceres hos en autoriseret serviceforhandler.
- Konsekvenser af ukorrekt vedligeholdelse kan inkludere kulaflejninger, der medfører tab af ydelse og afladning af sorte olieagtige rester der drypper fra lyd-dæmperen.
- Tråden må kun udskiftes med en nylonfilamenttråd med den diameter, der er beskrevet i specifikationstabellen i denne brugsanvisning.
- Når man har monteret en ny tråd, skal produktet altid stilles tilbage i normal arbejdsposition, inden den startes. Produktet skal rengøres med en blød klud efter hver brug.
- Sørg for at alle skærme, remme, afskærmninger og håndtag er korrekt og sikkert fastgjort, for at undgå risiko for personskade.

#### VEDLIGEHOLDELSESOVSIGT

Kontroller, om fastgøringenheden er helt stram	Inden hver brug
Kontroller, Klippeudstyret må ikke rotere i tomgang. <sup>2</sup>	Inden hver brug
Kontrollér brændstofslange	Inden hver brug
Kontrollér alle slangetilslutninger	Inden hver brug
Rengør brændstoftank og filter <sup>1</sup>	Hver 3. måned eller 50 timers drift
Udskiftning af brændstoffilter <sup>1</sup>	Hvert år eller efter 300 timers drift
Kontrollér brændstofdækslet eller brændstoftankens dampventil (hvis en sådan forefindes) for utætheder	Inden hver brug
Rens luftfilteret.	Hver 25. time
Skift luftfilter	Hvert år eller efter 300 timers drift
Rens eller juster tændrøret	Hver 6. måned eller 100 timers drift
Udskiftning af brændstoffilter	Hvert år eller efter 300 timers drift
Gnistfangsskærmen skal rengøres.	Hver 25. time
Udskift med et nyt gnistfang.	Hvert år eller efter 300 timers drift

Rensning af udstødningsåbning og lydpotte	Hver 25. time
-------------------------------------------	---------------

1 Disse punkter bør kun udføres af et autoriseret servicecenter.

2 Hvis dette ikke er tilfældet, skal du kontakte et autoriseret servicecenter med henblik på reparation eller justering.

#### UUNDGÅELIGE RISICI

Selv om produktet anvendes som foreskrevet, er det stadig umuligt at eliminere visse uundgåelige risikofaktorer fuldstændigt. Følgende risici kan opstå under brug, og operatøren bør være særligt opmærksom for at undgå følgende:

- Kontakt med klippeudstyr.
  - Sørg for, at klingskærmene er monteret, når produktet ikke er i brug. Hold altid hænder og fødder på afstand af klinger.
- Personskader forårsaget af vibration.
  - Brug altid det rigtige værktøj i forhold til arbejdsopgaven, benyt de hertil indrettede håndtag, og sørg for at begrænse arbejds- og eksponeringstiden.
- Fare for høreskader som følge af eksponering til støj.
  - Benyt høreværn, og begræns eksponering.
- Øjenskader pga. flyvende affaldsstykker.
  - Der skal altid benyttes øjenværn.
- Risiko for nedfaldende genstande.
  - Bær hovedbeskyttelse, hvis der er risiko for faldende genstande.

Når buskrydderen bruges, kan tilbageslag opstå. Hav ordentlig kontrol ved at bruge begge hænder på de dertil beregnede håndtag. Læs, og følg forskrifterne andetsteds i denne vejledning for at reducere risikoen for tilbageslag.

#### RISIKOREDUKTION

Der er rapporteret om, at vibrationer fra håndholdte værktøjer kan være medvirkende til en lidelse kaldet Raynauds syndrom hos visse personer. Symptomerne herpå kan være prikken, følelsesløshed og blegning af fingrene, der normalt viser sig ved kuldepåvirkning. Faktorer som arvelighed, udsættelse for kulde og fugt, kost, rygning og arbejdsvaner menes alle at medvirke til udviklingen af disse symptomer. Der findes forholdsregler, som operatøren kan træffe for at begrænse påvirkningen fra vibrationer:

- Hold kroppen varm i koldt vejr. Brug handsker, så hænder og vrister holdes varme under arbejdet. Der er rapporteret om, at koldt vejr er en væsentlig faktor til Raynauds syndrom.
- Motionér efter hver arbejdsperiode for at øge blodcirkulationen.
- Kontrollér, at maskinen er korrekt anbragt i den foreskrevet arbejdsposition, inden maskinen startes.
- Begræns eksponeringen for vibrationer pr. dag. Hold hyppige arbejds-pauser.

Hvis du mærker nogen af symptomerne på denne tilstand, skal du straks ophøre med arbejdet og søge læge.

## ⚠ ADVARSEL

Længere tids brug af et værktøj kan forårsage - eller forværre - personskader. Når man bruger et værktøj i længere perioder ad gangen, skal man huske at holde hyppige pauser.

## KEND PRODUKTET

1. Startgreb
2. Brændstofdæksel
3. RBC31SBO: Cykelhåndtag
4. RBC31SBO: Drivaksel
5. Skærebladsafskærmning
6. Græsafsikærmning
7. Nylonmøtrik
8. Klingspændeskive
9. Kopformet spændeskive
10. Bladbeskytter
11. Tri-Arc™ blad
12. Øverste linehoved
13. Spole
14. Bump-håndtag
15. Nederste linehoved
16. Klippetråd
17. RBC31SBO: Gasspjæld interlock
18. RBC31SBO: Gashåndtag (klemmegreb)
19. Tændings kontakt
20. RBC31SBO: Gasspjæld lås
21. strop-ophæng
22. RBC31SESO: Nederste skaft
23. RBC31SESO: Skruer
24. RBC31SESO: Overskaft
25. RBC31SESO: Forhåndtag
26. RBC31SESO: Gashåndtag (klemmegreb)
27. RBC31SESO: Gasspjæld lås

## SYMBOLER PÅ PRODUKTET



Sikkerheds Varsel



Alle vejledninger skal læses og forstås, inden produktet benyttes; følg alle advarsler og sikkerhedsinstrukser.



Benyt øjen-, høre- og hovedværn.



Benyt skridsikkert sikkerhedsfodtøj, når produktet anvendes.



Brug friktionsfri, kraftige handsker.



Pas på udslyngede eller flyvende objekter. Sørg for, at tilskuere (især børn og dyr) er mindst 15 m fra arbejdsområdet.



Produktet er ikke beregnet til brug med tandet savklinge.



For at begrænse risikoen for (person) skader skal man undgå kontakt med enhver varm overflade.



Hold hænderne på afstand af knivene.



Garanteret støjniveau



Arbejdsstilling



Indstil chokerhåndtaget i chokerposition "FULL" (=fuld).



Indstil chokerhåndtaget i chokerposition "HALF" (=halv).



Ventetid 10 sekunder



PRIME

Pres spædebollen ind 10 gange.



Hiv i startrebet



Pres gasudløseren ind for at starte/køre



Lås gashåndtaget fast ved at presse gasspærreknappen ind.



Brug blyfri benzin til personvogne med et oktantal på 91 ((R+M)/2) eller derover.



Brug 2-taktsolie til luftkølede motorer.



Bland brændstofblandingen grundigt - også altid inden tankning.



Start af en kold motor med hånden



Start af en varm motor med hånden



Start af en kold motor med en elektrisk starter



Start af en varm motor med en elektrisk starter



Symbolet for lige aksel: Når trådspolen benyttes sammen med skæreanordningen, skal dette symbol være synligt for operatøren.



Tri-Arc-klingen er egnet til dette produkt og er velegnet til skæring af bløde ukrudtsplanter og slyngplanter.



Vær opmærksom på tilbageslag



Omdrejningsretning og max-hastighed for akslen for klippeudstyret.



Hiv  
Hurtigløsertap



Dette redskab overholder alle lovkra-  
v og standarder i det EU-land, hvor det  
er købt.



EurAsian overensstemmelsesmærke



Ukrainsk overensstemmelsesmærke

De følgende ikoner og betydninger er beregnet til at forklare  
risikoen involveret i at anvende denne enhed.

**FARE**

Indikerer en meget farlig situation, som hvis ikke  
undgås, kan føre til alvorlige skader og i værste fald  
døden.

**ADVARSEL**

Indikerer en potentielt farlig situation, som hvis ikke  
undgås, kan føre til alvorlige skader og i værste fald  
døden.

**PAS PÅ**

Indikerer en potentielt farlig situation, som hvis ikke  
undgås, kan føre til mindre eller moderate skader.

**PAS PÅ**

Uden sikkerhedsadvarselssymbol  
Indikerer en situation, som kan medføre materiel skade.

**SYMBOLER I DENNE BRUGSANVISNING**



Bemærk



Advarsel

Säkerhet, prestanda och tillförlitlighet har varit högsta prioritet vid utformningen av din grässtrimmer/buskstrimmer.

### ANVÄNDNINGSSOMRÅDE

Grässtrimmern/buskstrimmern är endast avsedd att användas av vuxna som har läst och förstått instruktionerna och varningarna i denna manual och vilka kan anses ansvariga för sina handlingar. Produkten är enbart avsedd för utomhusbruk på väl ventilerade områden. Av säkerhetsskäl ska båda händerna användas för korrekt manövrering av produkten.

Produkten som är utrustad med ett grässtrimmerhuvud (och lämpligt skydd) är avsedd för att skära långt gräs, ogräs med mjuka stjälkar och liknande växtlighet på eller över marknivå. När produkten är utrustad med Tri-Arc-blad (och lämpligt skydd) kan den även klippa buskar. Produkten är inte utformad för att förses med ett sågblad.

Klipplanet bör vara parallellt med marken. Produkten ska inte användas för att kapa eller trimma häckar, buskar eller annan vegetation där skärplanet inte är parallellt med marknivå.

Får ej användas för annat ändamål.

### ⚠ VARNING

För att minska risken för skador måste användaren läsa, och förstå användningsmanualen.

### ⚠ VARNING

Försök inte använda produkten innan du noggrant har läst och helt förstått alla instruktioner och säkerhetsregler som finns i den här bruksanvisningen. Om du inte följer alla instruktion kan det leda till elektriska stötar, brand och/eller allvarliga personskador. Spara denna användarhandbok och läs den med jämna mellanrum för fortsatt säker användning; lär andra personer som ska använda den här produkten hur den fungerar.

### ⚠ VARNING

Produkten är inte avsedd för användning av barn eller personer med fysiska, mentala eller emotionella funktionshinder. Barn ska alltid övervakas så att de inte leker med produkten.

### ALLMÄNNA SÄKERHETSFÖRESKRIFTER

- För din egen säkerhet: läs och förstå alla instruktioner innan produkten används. Följ alla säkerhetsanvisningar. Underlåtelse att följa alla anvisningar kan medföra svåra personskador.
- I vissa regioner finns regleringar som begränsar användning av produkten. Ta kontakt med lokala myndigheter för information.
- Låt inte barn eller icke utbildade personer använda produkten.
- Starta och kör aldrig motorn i ett tillstängt eller dåligt ventilerat utrymme; inandning av ångor kan döda.
- Rensa upp på arbetsområdet innan arbetet påbörjas. Avlägsna alla föremål som kan kastas ut från eller

trassla in sig i trådhusudet eller bladet, t.ex. stenar, glasskärvar, spikar, stältråd eller snöre.

- Använd alltid ögon- och hörselskydd vid användning av produkten. Skyddshjälm ska användas på platser där det finns risk för fallande föremål.
- Hörselskydd kan begränsa användarens möjlighet att höra varningsljud. Var extra uppmärksam på eventuella risker i och kring arbetsområdet.
- Använd grova långa byxor, halksäkra skyddsskor och arbetshandskar. Bär inte löst sittande kläder, korta byxor eller smycken. Ha skor på fötterna.
- Fäst långt hår över axelhöjd för att undvika att det fastnar i rörliga delar.
- Håll alla åskådare, barn och husdjur på minst 15 meters avstånd. Stoppa produkten om någon kommer i närheten.
- Använd inte produkten om du är trött, sjuk eller påverkad av alkohol, droger eller medicin.
- Använd endast i god belysning. Användaren måste ha fri överblick för att kunna identifiera eventuella risker.
- Ha alltid ett bra fotfäste och en god balans. Sträck dig inte. Om du sträcker dig kan du tappa balansen eller utsättas för varma ytor.
- Håll alla kroppsdelar borta från rörliga delar.
- Vidrör inte området runt ljuddämparen eller produktens cylinder, eftersom dessa delar blir heta vid användning.
- Stäng alltid av motorn och låt den svalna innan du gör några inställningar.
- Rök inte när du blandar bränsle eller fyller på bränsletanken.
- Blanda och förvara bränsle i en behållare som är avsedd för bränsle.
- Blanda bränslet utomhus där det inte finns några gnistor eller öppna lågor. Torka upp eventuellt bränslespill. Se till att ha ett avstånd på minst 9 meter från bränslepåfyllningsplatsen innan motorn startas.
- Stoppa motorn och låt produkten svalna innan du fyller på bränsle.
- Innan du transporterar maskinen i bil så ska motorn svalna, bränsletanken tömmas och maskinen fästas så att den inte rör sig.
- Stoppa motorn och se till att alla rörliga delar har stoppat före:
  - service
  - att lämna produkten utan tillsyn
  - Rengör produkten
  - byte av tillbehör
  - ta bort blockeringar
  - efter att ha slagit i något skall man kontrollera ev. skador
  - kontrollera ev. skador om produkten börjar vibrera onormalt
  - Underhåll
  - ta bort bladet
  - montera skärbladet

### ⚠ VARNING

Använd aldrig skärenheter eller tillbehör som inte har specificerats av Ryobi i denna bruksanvisning. Detta inkluderar användning av svängkedjor av metall i flera delar och ledade skärblad. Dessa enheter är kända för att brytas sönder under användning och utgör en hög risk för att användaren eller andra närvarande personer skadas allvarligt.

### ⚠ VARNING

Inspektion efter att produkten tappats eller utsatts för stötar

Kontrollera produkten noggrant för att identifiera eventuella skador på den. Skadade delar skall repareras ordentligt eller bytas ut av en auktoriserad servicefirma.

### SÄKERHETSVARNINGAR FÖR GRÅSTRIMMERS

- Byt ut trådhuvudet om det är sprucket, bitar har lossnat eller om det är skadat på något sätt. Kontrollera att trådhuvudet är korrekt monterat och ordentligt fastsatt. Om du inte gör det kan du orsaka allvarlig skada.
- Undvik användning på vått gräs.
- Gå inte baklänges när produkten används.
- Gå. Spring aldrig.
- Det lilla bladet som sitter på skärinsatsens skydd är till för kapning av den nya utökade trådlängden till korrekt längd, för säker och optimal prestanda. Det är väldigt vasst, rör det inte, särskilt vid rengöring av produkten.
- Säkerställ alltid att ventilationshålen är öppna och fria från smuts.
- Kontrollera före användning och efter påverkan att det inte finns några skadade delar. Kontrollera skäransordningen så det inte finns sprickor eller andra skador. En defekt omkopplare eller någon del som är skadad skall repareras ordentligt eller bytas ut hos en auktoriserad servicefirma.
- Se till att huvudtillbehöret är korrekt installerad och ordentligt fast.
- Se till att alla skydd, deflektorer, handtag, bultar och fästen är korrekt och ordentligt fästa.
- Ändra inte produkten på något sätt. Detta kan öka risken för skada på dig själv eller andra.
- Använd enbart tillverkarens reservtråd för skärhuvudet. Använd inga andra skärtillbehör.
- Använd aldrig produkten utan att skärinsatsens skydd sitter på plats och är i gott skick.
- Behåll ett fast grepp om båda hantagen vid trimning. Håll trådhuvudet under midjehöjd. Klipp aldrig med trådhuvudet högre än 76 cm över marken.

### SÄKERHETSVARNINGAR FÖR BUSKTRIMMER

- Utöver riktlinjerna ovan bör följande instruktioner beaktas när produkten används i busktrimningsläge.
- Använd grova arbetshandskar vid montering och demontering av bladen eftersom dessa har vassa kanter.

- Försök inte att vidröra eller stoppa bladet när det roterar.
- Ett rörligt blad kan orsaka allvarliga skador. Behåll ordentlig kontroll över produkten med hjälp av båda händerna ända tills bladet helt har slutat rotera.
- Byt ut alla blad som har blivit skadade. Kontrollera alltid att bladet är korrekt monterat och fastsatt innan användning.
- Använd enbart tillverkarens utbytes-Tri-Arc-blad. Använd inga andra skärtillbehör.
- Skär aldrig något material över 13 mm i diameter.
- Din busktrimmer är utrustad med en sele. Justera selen omsorgsfullt så att den bekvämt bär upp vikten av produkten vid din högra sida.
- Ta reda på snabbkopplingsmekanismen och testa den innan du börjar använda maskinen. Korrekt användning av den kan förhindra allvarliga skador i nödfall. Bär aldrig extrakläder över selen eller på annat sätt förhindra åtkomsten till snabbtösnigen.
- Täck bladet med bladskyddet innan du förvarar eller transporterar enheten. Ta alltid av bladskyddet innan enheten används. Om det inte tas bort kan bladskyddet kastas iväg när bladet börjar snurra.
- Var extremt försiktig när du använder blad med produkten. Bladslag är den reaktion som sker när det roterande bladet slår mot något som det inte kan skära. Denna kontakt kan få bladet att stanna en kort stund och plötsligt "kasta" iväg enheten från föremålet som det träffade. Detta återkast kan vara så kraftig att användaren kan tappa kontrollen över enheten. Återkast kan uppstå utan förvarning om bladet hakar i, stannar eller fastnar. Det uppstår oftare på ställen där man inte kan se det man skär.
- För att det ska vara enklare och säkrare ska du skära grenarna från höger till vänster. Om ett oväntat föremål eller träbit stöts på kan det minimera bladets slagreaktion. Båda händerna måste alltid användas för att kontrollera den här produkten.

### MONTERING

#### UPPACKNING

Se sida 181 - 182.

Den här produkten kräver montering.

- Ta försiktigt ur verktyget och tillbehören ur kartongen. Kontrollera att alla föremål som står med på packsedeln finns med.
- Undersök verktyget noggrant och se till att inga skador har uppstått under frakten.

### ⚠ VARNING

Om några delar är skadade eller saknas, använd inte denna produkt innan delarna har bytts ut. Att inte följa denna säkerhetsvarning kan leda till allvarlig kroppsskada.

#### JUSTERA REMMENS HÄNGARE

Se sida 185/189.

Ställ in remfästet på en bekväm och balanserad position

EN  
FR  
DE  
ES  
IT  
NL  
PT  
DA  
SV  
FI  
NO  
RU  
PL  
CS  
HU  
RO  
LV  
LT  
ET  
HR  
SL  
SK  
BG  
UK  
TR



där blad- eller skärenheten befinner sig mellan 100 mm och 300 mm ovanför markytan.

### ANVÄNDA SELEN

Se sida 185/189.

**NOTERA:** Använd alltid selen tillsammans med produkten.

**NOTERA:** Dra kraftigt i snabbkopplingsfliken för att snabbt koppla loss produkten från selen.

### ANVÄNDA REELEASY™ GRÄSTRIMMERHUVUD OCH TRI-ARC™ SKÄRBLAD

- Vid användningen av ReelEasy™-grästrimmerhuvudet måste gräsdeflektorn fästas till bladskyddet. (Se sida 203).
- När Tri-Arc™-blad används ska gräsavvisaren tas bort från bladskyddet. (Se sida 202).

#### ⚠ VARNING

Ta alltid bort stiftet som låser kopplingskafket innan du startar motorn (se sidan 185, steg 4)

### ANVÄNDNING

#### BRÄNSLE OCH TANKNING

Se sida 184.

- Hantera alltid bränsle med försiktighet, det är väldigt brännbart.
- Denna produkt drivs av en tvåtaktsmotor och kräver att bensen blandas med tvåtaktsolja. Blanda blyfri bensen och tvåtaktsolja i en ren behållare som godkännts för bensen.
- Denna motor är godkänd för användning med blyfri bensen för bilar med en oktanhalt på 91 (JR + MJ/2) eller högre.
- Använd ingen annan typ av bensen/oljablandning som säljs på bensinstationer.
- Använd endast syntetisk tvåtaktsolja. Använd inte smörjmedel till bilar eller 2-faktsutombordare.
- Blanda 2 % syntetisk tvåtaktsolja i bensen. Detta är en proportion på 50:1.
- Blanda bränslet noga och före varje tankning.
- Blanda i små kvantiteter. Blanda inte större kvantiteter än som kan användas under en 30-dagarsperiod. Vi rekommenderar användning av en syntetisk tvåtaktsolja som innehåller en bränslestabilisator.

#### TANKNING

- Rengör ytan runt bränslelocket för att förhindra förorening.
- Lossa locket till bränsletanken långsamt för att släppa ut trycket och så att bränslet inte tränger ut runt locket.
- Håll försiktigt bränsleblandningen i bränsletanken. Undvik spill.
- Rengör och inspektera packningen innan du sätter tillbaka bränslelocket.
- Sätt omedelbart tillbaka bränslelocket och dra åt för hand. Torka upp eventuellt bränslespill. Förflytta dig 9 m (30ft) bort från påfyllningsstället innan motorn startas.

### STARTA MOTORN MED HJÄLP AV EN ELSTARTMOTOR (TILLVAL):

Se sida 196 - 201.

#### ⚠ VARNING

Endast Ryobi OES18-elstartmotor får användas. Användning av annan startmotor kan skada motorn och orsaka allvarliga personskador.

#### ⚠ VARNING

Innan du använder elstartmotorn måste du läsa igenom och till fullo förstå OES18-elstartmotorns bruksanvisning för att undvika felaktig drift och allvarliga personskador.

- Håll den isolerade axeln med din vänstra hand och använd din högra hand för att placera axelns startstycke i motorns axelhål. I annat fall startar inte motorn.
- Se till att startstycket är ordentligt isatt.

**NOTERA:** Elstartmotorn är försedd med en säkerhetspärr. Tryck inte och håll inte på omkopplarknappen när du sätter elstartmotorskafket i motorns skafthål. Startmotorn kommer inte att rotera om elstartmotorn inte sitter i ordentligt.

### ANVÄNDA GRÄSTRIMMERN

Se sida 189.

**RBC31SESO:** Håll produkten med höger hand på det bakre handtaget och vänster hand på det främre handtaget.

**RBC31SBO:** Håll produkten med höger hand på avtryckarhandtaget och vänster hand på det vänstra handtaget.

- Bibehåll ett stadigt grepp med båda händerna under användning.
- Produkten ska hållas i bekvämt läge med avtryckarhandtaget ungefär i höfthöjd.
- Använd alltid maskinen på full gas. För lång tids klippning på ett visst varvtal gör att det droppar smörjmedel från ljuddämparen.
- Klipp högt gräs uppifrån och ned för att inte gräs ska linda sig runt skafket och trådhuvidet vilket kan orsaka skada på grind av överhettning.
- Om gräs eller skräp samlas runt skärbladet, stanna motorn. Bär tåliga arbetshandskar för att förhindra skada från de vassa bladen och var försiktig vid borttagning av skräp.
- Forcera inte det gräs som ska klippas. Förflytta dig från sida till sida. Flytta framåt en aning i slutet av varje svep.
- Luta produkten mot området som klippas.
- Använd inte i farliga områden.
- Klipp med trädens ände, tvinga inte skärhuvudet framåt i gräset.
- Nätstängsel orsakar mycket slitage på tråden och kan till och med slita av den. Sten- och tegelväggar, gatusten och trä sliter mycket på tråden.
- Undvik träd och buskar. Bark, träskulpturer, lerskulpturer och stängsel kan lätt förstöras av tråden.

## ANVÄNDA HÄCKSAXEN

Se sida 192.

För att minska risken för kast: Forcera inte det material som ska klippas. Rör dig från från höger till vänster med stadiga sveprörelser. Rör dig framåt en aning i början av varje nytt svep.

**RBC31SESO:** Håll produkten med höger hand på det bakre handtaget och vänster hand på det främre handtaget.

**RBC31SBO:** Håll produkten med höger hand på avtryckarhandtaget och vänster hand på det vänstra handtaget.

- Produkten ska hållas i bekvämt läge med avtryckarhandtaget ungefär i höfthöjd.
- Bihåll ditt grepp och stå balanserat på båda fötterna. Placera dig själv så att du inte dras ur balans av återkastfenomenet hos skärbladen.
- Justera axelremmen till ett bekvämt läge.
- Var extremt försiktig när du använder blad med produkten. Bladslag är den reaktion som sker när det roterande bladet slår mot något som det inte kan skära. Denna kontakt kan få bladet att stanna en kort stund och plötsligt "kasta" iväg enheten från föremålet som det träffade. Detta återkast kan vara så kraftig att användaren kan tappa kontrollen över enheten. Återkast kan uppstå utan förvarning om bladet hakar i, stannar eller fastnar. Det uppstår oftare på ställen där man inte kan se det man skär. För att det ska vara enklare och säkrare ska du skära grenarna från höger till vänster. **Om ett oväntat föremål eller träbit stöts på kan det minimera bladets slagreaktion.**

## TRANSPORT OCH FÖRVARING

- Stoppa produkten och låt den svalna före transport eller förvaring.
- Ta bort allt främmande material från produkten.
- Om ett skärblad har monterats, täck det med ett bladskydd.
- Töm ut allt bränsle från tanken i en behållare som är godkänd för bensen. Kom ihåg att sätta tillbaka bränsletankens lock och dra åt det ordentligt.
- Kör motorn tills den stannar. Detta avlägsnar allt bränsle som kan förstöras och lämna lacker och gummiämnen i bränslesystemet.
- Förvara den svalt och välventilerat på en plats där barn inte kan komma åt den. Förvara på avstånd från frätande medel, t.ex. trädgårdskemikalier och vägsalt. Förvara den inte utomhus.
- Vid transport ska produkten säkras mot rörelser eller fallande för att förhindra personskador eller att produkten skadas.
- Bär eller transportera aldrig produkten när den är igång.
- Följ alla lagar och förordningar beträffande säker förvaring och hantering av bensen. Överflödigt bränsle skall användas i någon annan tvåtaktsdriven utrustning.

## FÖRVARING PÅ KORT SIKT

- Stanna motorn och låt den svalna innan förvaring.
- Ta bort allt främmande material från produkten.

- Förvara den svalt och välventilerat på en plats där barn inte kan komma åt den.
- Förvara på avstånd från frätande medel, t.ex. trädgårdskemikalier och vägsalt.
- Förvara den inte utomhus.

## UNDERHÅLL

### ⚠ VARNING

Använd enbart ersättningsdelar och tillbehör från tillverkaren. Om inte kan det eventuellt orsaka skador, sämre resultat och kan upphäva garantin.

### ⚠ VARNING

Skärtillbehöret får inte användas i tomgångsläge. Om detta krav inte uppfylls måste kopplingen justeras eller maskinen omgäende ses över av utbildad tekniker.

### ⚠ VARNING

Ett läckande bränslelock utgör en brandfara och måste bytas ut omedelbart.

### ⚠ VARNING

Obs! Bladmuttern är en nylockmutter, den är endast avsedd för engångsmontage. Återanvänd inte nylockmuttern. När du installerar/återinstallerar använd en ny nylockmutter. Underlåtelse att följa alla anvisningar kan medföra svåra personskador.

### ⚠ VARNING

Säkerställ att mutterns åtdragningsmoment  $\geq 25$  Nm vid montage av bladet. Underlåtelse att följa alla anvisningar kan medföra svåra personskador. (se sidan 202, steg 4)

- Stoppa motorn och låt den svalna före underhållsarbete.
- Du kan göra de justeringar och reparationer som beskrivs i den här manualen. För andra reparationer skall produkten servas av en auktoriserad serviceman.
- Konsekvenser av eftersatt underhåll kan vara alltför mycket kolavlagringar som ger försämrad prestanda och utsläpp av svarta oljerester från ljuddämparen.
- Använd enbart den specificerade nylontråden (finns i specifikationstabell i denna manual) vid utbyte.
- När ny skärtråd är ute ska maskinen tillbaka i normalt arbetsläge innan den startas. Efter rengöring ska maskinen alltid rengöras med en mjuk torr trasa.
- Se till att alla skydd, remmar, avvisare och handtag är korrekt och säkert fästa för att undvika risk för allvarlig skada.

EN  
FR  
DE  
ES  
IT  
NL  
PT  
DA  
SV  
FI  
NO  
RU  
PL  
CS  
HU  
RO  
LV  
LT  
ET  
HR  
SL  
SK  
BG  
UK  
TR

## UNDERHÅLLSSCHEMA

Kontrollera om fästet är helt åtdraget	Före varje användning
Kontrollera: Skärtillbehöret får inte användas i tomgångsläge. <sup>2</sup>	Före varje användning
Kontrollera bränsleslangen	Före varje användning
Kontrollera alla slangkopplingar	Före varje användning
Rengör bränsletank och filter <sup>1</sup>	Var 3:e månad eller 50 timmars drift
Byt tut bränslefilter <sup>1</sup>	Varje år eller efter 300 timmars drift
Kontrollera om bränsletankens lock eller ventilen för bränsleångor (om sådan finns) läcker.	Före varje användning
Rengör luftfiltret.	Var 25:e timme
Byta luftfilter	Varje år eller efter 300 timmars drift
Rengör eller justera tändstiftet	Var 6:e månad eller 100 timmars drift
Byt tut bränslefilter	Varje år eller efter 300 timmars drift
Rengör gnistfångaren	Var 25:e timme
Ersätt med en ny gnistfångare.	Varje år eller efter 300 timmars drift
Rengöra avgasöppningen och ljuddämparen	Var 25:e timme

1 Dessa poster bör endast utföras av en auktoriserad serviceverkstad.

2 Om detta krav inte uppfylls, kontakta en auktoriserad serviceverkstad för reparation eller justering.

### KVARSTÅENDE RISKER

Även om produkten används enligt instruktionerna går det inte att eliminera alla eventuella riskfaktorer. Följande risker kan uppkomma under bruk och användaren ska vara extra uppmärksam för att undvika följande:

- Kontakt med skäraggatet.
  - Se till att bladskydden sitter på när produkten inte används. Håll alltid händer och fötter på säkert avstånd från bladen.
- Skada orsakad av vibration.
  - Använd alltid rätt verktyg för arbetet, håll ordentligt i handtagen och begränsa arbetstid och exponering.
- Hörselskada orsakad av oljud.
  - Använd hörselskydd och begränsa exponeringen.
- Ögonskador på grund av kringkastade föremål.
  - Använd alltid lämpligt ögonskydd.
- Risk för fallande föremål

- Bär huvudskydd vid risk för fallande föremål.

Det kan förekomma kast när du använder röjtrimmern. Säkerställ fullständig kontroll genom att använda båda händerna på det avsedda handtaget. Läs och följ anvisningarna i denna manual för att minska slagrisken.

### RISKMINSKNING

Det finns rapporter om att vibrationer från handhållna verktyg kan bidra till ett tillstånd som kallas Raynauds syndrom för vissa personer. Symptomen brukar vara att det sticker i fingrarna och att de domnar bort; fingrarna kan också bli vita, särskilt vid kyla. Årftliga faktorer, kyla och fukt, diet, rökning och arbetsrutiner tros alla bidra till att orsaka dessa symptom. Det finns förebyggande åtgärder som du kan vidta för att försöka minska vibrationernas påverkan:

- Håll dig varm när du arbetar i kallt väder. Använd handskar för att hålla händer och handleder varma under användning. Kyla har rapporterats som en viktig del i utvecklandet av Raynauds syndrom.
- Träna och rör på dig efter varje användningstillfälle för att öka blodcirkulationen.
- Se till att maskinen är korrekt placerad i önskat arbetsläge före den startas.
- Begränsa tiden du utsätter dig varje dag. Ta ofta pauser från arbetet.

Upphör omedelbart om du upplever några av dessa symptom och uppsök din läkare.

### ⚠ VARNING

Risk för person- eller slitageskador vid användning av verktyget under lång tid. Om verktyget används under längre perioder krävs regelbundna pauser.

### LÄR KÄNNA PRODUKTEN

1. Startgrepp
2. Tanklock
3. RBC31SBO: Cykelstyre
4. RBC31SBO: Drivaxel
5. Bladskydd
6. Gräsavvisare
7. Nylonmutter
8. Bladbricka
9. Böjd bricka
10. Bladskydd
11. Tri-Arc-blad
12. Övre hölje för trådhuvid
13. Rulle
14. Tryckknapp
15. Nedre hölje för trådhuvid
16. Skärtråd
17. RBC31SBO: Avtryckarinterlock
18. RBC31SBO: Avtryckare med hastighetsreglage
19. Tändningsströmbrytare
20. RBC31SBO: Avtryckarlås
21. Remhänge
22. RBC31SESO: Nedre skaft
23. RBC31SESO: Vred
24. RBC31SESO: Övre skaft



25. RBC31SESO: Främre handtag  
 26. RBC31SESO: Avtryckare med hastighetsreglage  
 27. RBC31SESO: Avtryckarlås

## SYMBOLER PÅ PRODUKTEN



Säkerhetsvarning



Läs igenom och var införstådd med alla instruktioner före användning av produkten, var uppmärksam på alla varningar och säkerhetsinstruktioner.



Använd alltid ögon-, hörsel- och ansiktsskydd.



Bär halkskyddade säkerhetsskor när du använder produkten.



Används halkfria, grova skyddshandskar.



Se upp med kringkastade eller flygande föremål. Håll alla åskådare, barn och husdjur på minst 15 meters avstånd från arbetsområdet.



Produkten är inte avsedd för användning med ett sågtandat blad.



För att minska risken för skador ska kontakt med varma ytor undvikas.



Håll händerna borta från bladen.



Garanterad ljudeffektsnivå



Körläge



Ställ in chokespaken i "FULL"-läge.



Ställ in chokespaken i "HALF"-läge.



Vänta 10 sekunder.



FYLLA  
Tryck på primerknappen 10 gånger.



Dra i startsnöret



Tryck på avtryckaren för att starta/klippa.



Lås gasreglaget i läget genom att trycka in gasreglets spärrknapp.



Använd blyfri bensin avsedd för bilar med ett oktantal på 91 ((R+M)/2) eller mer.



Använd 2-taktsolja för luftkylda motorer.



Blanda bränsleblandningen noggrant och före varje påfyllning.



Starta en kall motor för hand:



Starta en varm motor för hand:



Starta en kall motor med elstartmotor:



Starta en varm motor med elstartmotor:



Symbolen för "rakt skaft": När snörspolen monteras på skärnanordningen ska denna symbol vara synlig för operatören.



Tri-Arc-blad passar på denna produkt och lämpar sig för att klippa mjukt ogräs och klängväxter.



Var uppmärksam på slag från bladet



Rotationsriktning och maximal hastighet hos skafvet för klipptillbehöret.



Dra  
Snobblossningsflik



Detta verktyg uppfyller alla standarder i de EU-länder där det kan köpas.



EurAsian överensstämmelsesymbol



Ukrainskt märke för överensstämmelse

Följande signalord och betydelser är tänkta att förklara de olika risknivåerna som är associerade med denna produkt.

### ⚠ FARA

Indikerar en överhängande farlig situation som kan, om den inte undviks, resultera i dödsfall eller allvarlig skada.

### ⚠ VARNING

Indikerar en potentiellt farlig situation som kan, om den inte undviks, resultera i dödsfall eller allvarlig skada.

### ⚠ PÅMINNELSE

Indikerar en potentiellt farlig situation som kan, om den inte undviks, resultera i mindre eller medelstora skador.

### ⚠ PÅMINNELSE

Utan säkerhetssymbol

Visar på en situation som kan orsaka skada på egendom.

#### SYMBOLER I MANUALEN



Notera



Varning

Siimaleikkurin/ruohotrimmerin suunnittelussa on kiinnitetty erityistä huomiota turvallisuuteen, suorituskykyyn ja käyttövarmuuteen.

## KÄYTTÖTARKOITUS

Siimaleikkuria/ruohotrimmeriä saavat käyttää vain aikuiset, jotka ovat lukeneet tässä käyttöohjeessa olevat ohjeet ja varoitukset ja ymmärtävät niiden sisällön ja joiden voidaan katsoa olevan vastuussa omista teoistaan. Tuote on tarkoitettu ainoastaan ulkokäyttöön hyvin tuuletetuilla alueilla. Turvallisuuden varmistamiseksi tuotetta on ohjattava hallintakahvoilla kahdella kädellä.

Ruohonleikkauspäällä (ja vastaavalla suojuksella) varustettu tuote on tarkoitettu pitkän ruohon, rehevien rikkakasvien ja vastaavan kasvillisuuden leikkamiseen maanpinnan tasolla tai hieman sitä korkeammalla. Kun tuotteeseen asennetaan Tri-Arc-terä (ja sopiva suojuus), laitteella voi raivata myös pensaikkoo. Tuote ei ole tarkoitettu sahanterälle.

Leikkutusason on oltava suunnilleen maanpinnan suuntainen. Laitetta ei saa käyttää pensasaitojen, pensaikkojen tai muun kasvillisuuden leikkaukseen eikä trimmaukseen, jos leikkutusaso ei ole maanpinnan suuntainen.

Älä käytä muihin tarkoituksiin.

### VAROITUS

Välttääksesi loukkaantumiset, lue ja pyri ymmärtämään tämän käyttäjän käsikirjan sisältö.

### VAROITUS

Älä yritä käyttää tuotetta, ennen kuin olet perehtynyt täydellisesti kaikkiin tässä oppaassa oleviin, käyttöä koskeviin ohjeisiin ja turvamääräyksiin. Ohjeiden laiminlyönti voi johtaa onnettomuuksiin, kuten sähköiskuun, tulipaloon ja/tai vakavaan loukkaantumiseen. Säilytä tämä käyttöohje ja tutki sitä säännöllisesti turvallisten työolosuhteiden takaamiseksi ja muiden mahdollisten käyttäjien opastamiseksi.

### VAROITUS

Tuotetta ei ole tarkoitettu lasten eikä sellaisten ihmisten käytettäväksi, joiden ruumiin, aistien tai mielen suorituskyky on heikentynyt. Lapsia on pidettävä asianmukaisesti silmällä, jotta he eivät pääse leikkimään tuotteella.

## YLEISET TURVALLISUUSVAROITUKSET

- Jotta tuotteen käyttö olisi turvallista, lue ja ymmärrä kaikki ohjeet ennen sen käyttöä. Noudata kaikkia turvaohjeita. Ohjeiden laiminlyönti voi aiheuttaa vakavan vamman.
- Joillain alueilla vallitsee säädöksiä, jotka rajoittavat tämän tuotteen käyttöä. Pyydä paikallisilta viranomaisilta neuvoa.
- Älä anna lasten tai kouluttamattomien henkilöiden käyttää tätä tuotetta.
- Älä koskaan käynnistä tai käytä moottoria suljetussa

tai huonosti tuuletetussa tilassa; pakokaasujen hengittäminen voi tappaa.

- Siivoa työalue ennen jokaista käyttöä. Poista kaikki esineet, kuten kivet, rikkiäinen lasi, naulat, rautalanka tai naru, jotka voivat sinkoutua ympäristöön tai sotkeutua siimapäähän tai terään.
- Käytä tuotetta käyttäessäsi täysisiä suojalaseja ja kuulosuojaimia. Suojakypärää on käytettävä alueilla, joissa on putoavien kappaleiden vaara.
- Kuulosuojaimet voivat rajoittaa käyttäjän kykyä kuulla varoitusääniä. Kiinnitä erityistä huomiota mahdollisiin vaaratekijöihin työalueella ja sen ympärillä.
- Käytä paksuja, pitkiä housuja, liukastumissuojattuja suojajalkineita ja käsineitä. Älä käytä löysiä vaatteita, shortseja tai minkäänlaisia koruja tai kulje paljasjaloin.
- Sido pitkät hiukset hartoiden yläpuolelle, jotta ne eivät pääse tarttumaan liukuviin osiin.
- Pidä kaikki sivulliset, lapset ja lemmikit vähintään 15 metrin päässä. Sammuuta tuote, jos alueelle tulee joku.
- Älä käytä tätä tuotetta väsyneenä, sairaana tai huumeiden, alkoholin tai lääkkeiden vaikutuksen alaisena.
- Älä käytä tätä työkalua huonosti valaistussa paikassa. Käyttäjällä on oltava selkeä ja esteetön näkyvyys, jotta hän voi paikantaa mahdolliset vaaratekijät.
- Pysytte tukevasti jaloillasi äläkä kurkota käsivartta liian kauas. Älä kurkota liian pitkälle. Jos kurkottelet liian kauas, saatat menettää tasapainon tai joutua kosketuksiin kuumien pintojen kanssa.
- Pidä kaikki ruumiinosat kaukana liikkuvista osista.
- Älä kosketa tuotteen äänenvaimenninta tai sylinteriä ympäröivää aluetta, sillä nämä osat kuumenevat käytön aikana.
- Pysäytä aina moottori ja anna sen jäähtyä, ennen kuin aloitat säädön.
- Älä tupakoi sekoittaessasi polttoainetta tai täyttäessäsi polttoainesäiliötä.
- Sekoita ja säilytä polttoainetta bensiinin säilytykseen hyväksytyssä astiassa.
- Sekoita polttoaine ulkona paikassa, jossa ei ole kipinöitä eikä liekkiä. Pyyhi pois läikkyneet polttoaine. Siirry 9 metrin päähän täyttöpaikasta ennen moottorin käynnistämistä.
- Aina ennen polttoaineen lisäämistä sammuta puhallin ja anna sen jäähtyä kokonaan.
- Anna moottorin jäähtyä, tyhjennä polttoainesäiliö ja estä laitteen liikkuminen ennen kuljetusta ajoneuvolla.
- Sammuta aina ennen seuraavia moottori ja varmista, että kaikki liikkuvat osat ovat pysähtyneet:
  - huolto
  - tuotteen jättäminen valvomatta
  - Laitteen puhdistaminen
  - lisävarusteiden vaihtaminen
  - tukosten selvittäminen
  - vaurioiden tarkistaminen esineeseen osumisen jälkeen
  - vaurioiden tarkistaminen, jos tuote alkaa täristä epänormaalisti

EN  
FR  
DE  
ES  
IT  
NL  
PT  
DA  
SV  
FI  
NO  
RU  
PL  
CS  
HU  
RO  
LV  
LT  
ET  
HR  
SL  
SK  
BG  
UK  
TR

- huolto
- terän irrotus
- terän asennus

#### VAROITUS

Älä käytä koskaan leikkureita tai lisälaitteita, joita Ryobi ei ole esitellyt tässä käyttöoppaassa. Tämä käsittää moniosaisten metallisten pyörivien ketjujen ja varstaterien käytön. Nämä rikkoutuvat helposti käytössä ja voivat vahingoittaa käyttäjää tai lähellä olevia vakavasti.

#### VAROITUS

Tarkastaminen pudottamisen ja muiden iskujen jälkeen. Tarkista tuote huolella ja paikanna kaikki vauriot ja viat. Valtuutetun huoltopisteen on korjattava tai vaihdettava vioittuneet osat asianmukaisesti.

#### RUOHOTRIMMERIN TURVAVAROITUKSET

- Vaihda siimapää, jos se on halkeillut, lohkeillut tai vioittunut millään tavoin. Varmista, että siimapää on asianmukaisesti asennettu ja tukevasti kiinni. Muutoin seurauksena voi olla vakava loukkaantuminen.
- Vältä käyttöä määrällä ruoholla.
- Älä kävele takaperin tuotetta käyttäessäsi.
- Kävele, älä koskaan juokse.
- Katkaisulaitteen suojukseen asennettu pieni terä on tarkoitettu katkaisemaan uusi ulos tullut siima oikeaan pituuteen käyttöturvallisuuden ja optimaalisen suorituskyvyn varmistamiseksi. Se on erittäin terävä; älä kosketa sitä varsinkaan laitteen puhdistamisen aikana.
- Pidä aina huoli siitä, että tuuletusaukoissa ei ole roskia.
- Tarkista ennen käyttöä ja aina iskun jälkeen, että laitteessa ei ole vioittuneita osia. Tarkista leikkuuosa lohkeamien ja muiden vaurioiden varalta. Valtuutetun huoltopisteen on korjattava tai vaihdettava viallinen kytkin tai muu vahingoittunut osa asianmukaisesti.
- Tarkista, että leikkuupää on asennettu asianmukaisesti ja tukevasti.
- Varmista, että kaikki suojukset, ohjauslevyt, kahvat, pultit ja kiinnittimet ovat kunnolla ja turvallisesti kiinnitettyjä.
- Älä muokkaa tuotetta millään tapaa. Se voi lisätä omaa ja muiden tapaturmavaaraa.
- Käytä leikkuupäässä vain valmistajan toimittamaa vaihtosiimaa. Älä käytä muita leikkuuvälineitä.
- Älä koskaan käytä tuotetta, jos katkaisulaitteen suojus ei ole paikallaan tai se ei ole hyväkuntoinen.
- Pidä molemmista kahvoista tiukasti kiinni leikkuun aikana. Pidä siimapää vyötärön alapuolella. Älä koskaan leikkaa siimapään ollessa yli 76 cm maanpinnan yläpuolella.

#### SIIMALEIKKURIN TURVAVAROITUKSET

- Yllä olevien määräysten lisäksi on noudatettava näitä lisäohjeita, kun tuotetta käytetään raivaussahana.

- Terien reunat ovat teräviä ja siksi terien asennuksen tai irrotuksen yhteydessä on käytettävä tukevia käsineitä.
- Älä yritä koskettaa tai pysäyttää terää sen pyöriessä.
- Liikkuva terä voi aiheuttaa vakavia vammoja. Pidä tuote hallinnassasi molemmilla käsikahvoilla, kunnes terän pyöräminen on loppunut täysin.
- Vaihda vioittuneet terät. Varmista ennen käyttöä, että asensit terän oikein ja tukevasti.
- Käytä ainoastaan valmistajan Tri-Arc-varaterää. Älä käytä muita leikkuuvälineitä.
- Älä koskaan leikkaa materiaalia, jonka halkaisija ylittää 13 mm.
- Raivaussahassa on valjaat. Säädä valjaat huolellisesti, jotta ne istuvat mukavasti ja auttavat kannattamaan tuotteen painoa oikealla puolellasi.
- Paikanna pikavapautusmekanismi ja harjoittele sen käyttöä ennen kuin alat käyttää laitetta. Sen asianmukainen käyttö voi hätätilanteessa estää vakavan loukkaantumisen. Älä koskaan käytä vaatteita valjaiden päällä tai muutoin estä pikavapautusmekanismiin käyttöä.
- Peitä terä teränsuojuksella ennen yksikön varastointia sekä kuljetuksen ajaksi. Irrota teräsuojus aina ennen laitteen käyttöä. Jos suojusta ei irroteta, se saattaa singota laitteesta terän alkaessa pyöriä.
- Ole erittäin varovainen käyttäessäsi tuotteen terää. Jos terä koskettaa kappaletta, jota se ei voi leikata, se potkaisee takaisin. Tämä voi saada terän pysähtymään hetkeksi ja "työntämään" laitetta pois päin kappaleesta, johon se osui. Tämä reaktio voi olla niin voimakas, että laite riistäytyy käyttäjän hallinnasta. Tällainen takapotku saattaa tapahtua varoittamatta, jos terä juuttuu, jumittuu tai takertuu. Tämä tapahtuu todennäköisimmin paikassa, jossa leikkauskohdetta on vaikea nähdä.
- Jotta leikkuu olisi helppoa ja turvallista, leikkaa ruohoja oikealta vasemmalle. Tämä minimoi takapotkun, jos terä törmää odottamatta kappaleeseen tai kantoon. Tuotteen hallintaan on aina käytettävä kahta kättä.

#### KOKOONPANO

##### PAKKAUKSEN PURKAMINEN

*Katso sivu 181 - 182.*

Tämä laite on koottava.

- Poista työkalu ja kaikki lisävarusteet varovasti pakkauksesta. Tarkista, että laatikko sisältää kaikki pakkauksilistan osat.
- Tarkasta työkalu huolellisesti varmistautuaksesi siitä, ettei mitään ole rikkoutunut tai vaurioitunut kuljetuksen aikana.

#### VAROITUS

Jos osia puuttuu, älä käytä työkalua ennen, kuin olet hankkinut puuttuvan osan. Muutoin seurauksena voi olla vakava loukkaantuminen.

##### SÄÄDÄ KANTOVALJAIDEN KIINNITIN

*Katso sivu 185/189.*

Säädä ripustinhihna itsellesi mukavaan ja tasapainoiseen

asentoon siten, että terä tai leikkuri ovat välillä 100-300 mm maanpinnasta.

## VALJAIDEN KÄYTTÄMINEN

*Katso sivu 185/189.*

**HUOMAUTUS:** Pidä aina valjaita, kun käytät tuotetta.

**HUOMAUTUS:** Tarvittaessa tuotteen voi irrottaa valjaista nopeasti vetämällä voimakkaasti pikavapautuskielekkeestä.

## REELEASY™ -NURMIKOTRIMMERIPÄÄN JA TRI-ARC™ -TERÄN KÄYTTÄMINEN

- Kun käytössä on ReelEasy™-nurmikotrimmeripää, teränsuojuksessa pitää olla ruohonohjain. (*Katso sivu 203*).
- Kun käytät Tri-Arc™-terää, ruohonohjaimen on oltava irti teränsuojuksesta. (*Katso sivu 202*).

### VAROITUS

Irrota aina vaihdinakselin lukitustappi ennen moottorin käynnistämistä (*ks. sivu 185, vaihe 4*)

## KÄYTTÖ

### POLTTOAINE JA POLTTOAINEEN LISÄÄMINEN

*Katso sivu 184.*

- Käsittele polttoainetta aina varoen; sen syttyä erittäin helposti.
- Tämä tuote käy 2-tahtimoottorilla, johon tarvitaan esisekoitetun bensiinin ja 2-tahtimoottorin öljyn seos. Sekoita lyijytön bensiini ja 2-tahtimoottorin öljy puhtaassa bensiinille hyväksytyssä astiassa.
- Tämä moottori on sertifioitu toimimaan lyijyttömällä bensiinillä, joka on tarkoitettu autojen käyttöön ja jonka oktaaniarvo on 91 ((R + M)/2) tai korkeampi.
- Älä käytä minkäänlaista esisekoitettua bensiiniä/öljyä huoltoasemilta.
- Käytä yksinomaan synteettistä 2-tahtiöljyä. Älä käytä auton voiteluainetta tai perämoottorin 2-tahtiöljyä.
- Sekoita 2 % synteettistä kaksitahtivoiteluöljyä bensiiniin. Tämä on suhteessa 50:1.
- Sekoita polttoaine hyvin ja joka kerta ennen sitä lisääessä.
- Sekoita pienissä erissä. Älä sekoita suurempia määriä kuin mitä voit käyttää 30 päivän aikana. Suosittelemme myös polttoaineen stabilointiainetta sisältävän synteettisen 2-tahtiöljyn käyttöä.

### SÄILIÖN TÄYTTÄMINEN

- Puhdista polttoainesäiliön tulpan ympärillä oleva pinta saastumisen estämiseksi.
- Irrota polttoainesäiliön tulppa hitaasti paineen vapauttamiseksi ja estääksesi polttoaineen pääsyn ulos tulpan ympäriltä.
- Kaada polttoaineseosta varovasti säiliöön. Vältä läikyttämistä.
- Ennen polttoainesäiliön tulpan asettamista takaisin paikoilleen, puhdista ja tarkasta tiivisterengas.
- Kierrä polttoainesäiliön tulppa heti takaisin paikoilleen

ja kiristä käsin. Pyyhi pois läikkynyt polttoaine. Siirry 9 metrin (30 jalan) päähän täyttöpaikasta ennen moottorin käynnistämistä.

## MOOTTORIN KÄYNNISTYS SÄHKÖKÄYNNISTIMELLÄ (LISÄVARUSTE):

*Katso Kuva 196 - 201.*

### VAROITUS

Käytä vain Ryobi OES18 -sähkökäynnistintä. Muun tyyppisen käynnistimen käyttö voi vaurioittaa moottoria ja aiheuttaa vakavan henkilövamman.

### VAROITUS

Ennen kuin käytät sähkökäynnistintä tuotteen käynnistämiseen, perehdy huolellisesti OES18 -sähkökäynnistimen käyttöoppaaseen väärien käyttötapojen ja vakavan henkilövamman välttämiseksi.

- Pidä eristetty akseli vasemmassa kädessäsi ja työnnä oikealla kädelläsi käynnistimen terän akseli moottorin akselin reikään. Muutoin moottori ei käynnisty.
- Varmista, että käynnistysosa on kytkeytynyt asianmukaisesti.

**HUOMAUTUS:** Sähkökäynnistimessä on turvalukitustoiminto. Älä pidä kytkinpainiketta painettuna, kun asetat sähkökäynnistimen akselin moottorissa olevaan akselin aukkoon. Käynnistin ei toimi, jos sähkökäynnistin ei ole asianmukaisesti kytkettyä.

### NURMIKOTRIMMERIN KÄYTTÄMINEN

*Katso sivu 189.*

**RBC31SESO:** Pidä tuotteesta kiinni takakahvasta oikealla kädellä ja etukahvasta vasemmalla kädellä.

**RBC31SBO:** Pitele tuotetta oikealla kädellä liipaisinkahvasta ja vasemmalla kädellä vasemmasta kahvasta.

- Otteen on oltava käytön aikana tukeva.
- Tuotetta on pidettävä mukavassa asennossa liipaisinkahva suunnilleen lantion korkeudella.
- Käytä laitetta aina täydellä kaasulla. Pitkäaikainen leikkuu osittaisella kaasulla saa voiteluaineen tihkumaan äänenvaimentimeen.
- Leikkaa pitkä ruoho ylhäältä alas, jotta ruoho ei pääse kietoutumaan akselin kotolon ja siimapään ympärille, eikä laite pääse ylikuumentumaan.
- Jos leikkuuväliseiniin kiertyy ruohoa tai roskaa, sammuta moottori. Suojaa kädet vahvoilla käsineillä terävän terän viiltoja vastaan ja poista roskat huolellisesti.
- Älä työnnä leikkuupäätä ruohikon sisään. Liikuta puolelta toiselle. Kunkin pyyhkäisyn lopussa siirrä leikkuupäätä eteenpäin.
- Pidä tuote kallistettuna leikkuualuetta kohden.
- Älä käytä sähkötyökalua kosteissa ja märissä tiloissa tai sateessa.
- Leikkaa siiman kärjellä; älä pakota siimapäätä leikkaamattomaan ruoohon.

EN  
FR  
DE  
ES  
IT  
NL  
PT  
DA  
SV  
FI  
NO  
RU  
PL  
CS  
HU  
RO  
LV  
LT  
ET  
HR  
SL  
SK  
BG  
UK  
TR

- Lanka-aidat ja säleaidat lisäävät siiman kulumista ja voivat katkoa sitä. Kivi- ja tiiliseinät, pientareet ja puu voivat kuluttaa siimaa nopeasti.
- Vältä puita ja pensaita. Kaarna, puulistat, metallipäällyste ja aidan tolpat voivat helposti vahingoittaa siiman takia.

### PENSASLEIKKURIN KÄYTTÖ

Katso sivu 192.

Takaisinpotkun vaaran vähentäminen: Älä työnnä leikkuupäätä katkaistavan materiaalin sisään. Liikuta päätä oikealta vasemmalle tasaisin pyyhkäisyin. Uuden pyyhkäisyn alussa siirrä leikkuupäätä hieman eteenpäin.

**RBC31SESO:** Pidä tuotteesta kiinni takakahvasta oikealla kädellä ja etukahvasta vasemmalla kädellä.

**RBC31SBO:** Pitele tuotetta oikealla kädellä liipaisinkahvasta ja vasemmalla kädellä vasemmasta kahvasta.

- Tuotetta on pidettävä mukavassa asennossa liipaisinkahva suunnilleen lantion korkeudella.
- Säilytä ote ja seiso tukevasti. Aseta itsesi siten, että leikkuuterän takapotkureaktio ei saa sinua horjautamaan.
- Säädä hihnaripustin mukavaan asentoon.
- Ole erittäin varovainen käyttäessäsi tuotteen terää. Jos terä koskettaa kappaletta, jota se ei voi leikata, se potkaisee takaisin. Tämä voi saada terän pysähtymään hetkeksi ja "työntämään" laitetta pois päin kappaleesta, johon se osui. Tämä reaktio voi olla niin voimakas, että laite riistäytyy käyttäjän hallinnasta. Tällainen takapotku saattaa tapahtua varoittamatta, jos terä juuttuu, jumittuu tai takertuu. Tämä tapahtuu todennäköisimmin paikassa, jossa leikkauskohdetta on vaikea nähdä. Jotta leikkuu olisi helppoa ja turvallista, leikkaa ruohoja oikealta vasemmalle. **Tämä minimoi takapotkun, jos terä törmää odottamatta kappaleeseen tai kantoon.**

### KULJETUS JA VARASTOITAESSA

- Sammuta tuote ja anna sen jäähtyä riittävästi ennen varastointia tai kuljetusta.
- Puhdista laitteesta kaikki vieraat materiaalit.
- Jos asennettuna on leikkuuterä, aseta sen teräsuojus paikalleen.
- Tyhjennä kaikki polttoaine säiliöstä bensiiniä varten hyväksytyyn astiaan. Muista asettaa polttoainesäiliön korkki paikalleen ja kiristä se huolellisesti.
- Anna moottorin käydä, kunnes se pysähtyy. Tämä poistaa kaiken polttoaineen, joka voi väljähtyä ja jättää polttoainejärjestelmään lakkaa ja kumia.
- Varastoi laite viileään, kuivaan ja hyvin tuuletettuun paikkaan, jossa lapset eivät pääse siihen käsiksi. Pidä poissa syövyttäviltä aineilta kuten puutarhakemikaaleilta ja jäänsulatussuolalta. Älä säilytä ulkona.
- Kiinnitä tuote kuljetettaessa siten, että se ei pääse liikkumaan tai kaatumaan, jotta vältyttä loukkaantumisilta ja vaurioilta.
- Älä koskaan kannan tai kuljeta tuotetta sen ollessa käynnissä.

- Noudata kaikkia kansallisia ja paikallisia bensiinin turvallista säilytystä ja käsittelyä koskevia määräyksiä. Ylimääräinen polttoaine sopii käytettäväksi muissa 2-tahtimoottorilaitteissa.

### LYHYTAIKAINEN

- Sammuta moottori ja anna sen jäähtyä ennen varastointia.
- Puhdista laitteesta kaikki vieraat materiaalit.
- Varastoi laite viileään, kuivaan ja hyvin tuuletettuun paikkaan, jossa lapset eivät pääse siihen käsiksi.
- Pidä poissa syövyttäviltä aineilta kuten puutarhakemikaaleilta ja jäänsulatussuolalta.
- Älä säilytä ulkona.

### HUOLTO

#### VAROITUS

Käytä ainoastaan alkuperäisiä valmistajan tuottamia varaosia, lisälaitteita ja lisävarusteita. Tämän noudattamatta jättäminen voi johtaa loukkaantumiseen ja huonoon tulokseen ja voi mitätöidä takuun.

#### VAROITUS

Leikkuuosaa ei saa pyöriä tyhjäkäynnin aikana. Jos näin ei ole, kytkintä tulee säätää tai laite on vietävä välittömästi pätevään huoltoon.

#### VAROITUS

Vuotava polttoainesäiliön korkki merkitsee tulipalon vaaraa, ja se on vaihdettava välittömästi.

#### VAROITUS

Huomaa, että terämutteri on nyloc-mutteri, joka on kertakäyttöinen. Älä käytä nyloc-mutteria uudelleen. Kun asennat/uudelleenasetat, käytä aina uutta nyloc-mutteria. Ohjeiden laiminlyöminen voi aiheuttaa vakavan vamman.

#### VAROITUS

Varmista, että mutterin vääntömomentti  $\geq 25$  Nm asentaessasi terää. Ohjeiden laiminlyöminen voi aiheuttaa vakavan vamman. (ks. sivu 202, vaihe 4)

- Sammuta aina moottori ja anna sen jäähtyä ennen huoltotoimia.
- Voit tehdä tässä käyttöoppaassa kuvattuja säätöjä ja korjauksia. Jos laite vaatii muuta huoltoa, vie se valtuutettuun huoltopisteeseen.
- Epäasianmukaisesta huollosta voi syntyä ylimääräisiä hiilijäämiä, mikä heikentää suorituskykyä ja saa äänenvaimentimesta vuotamaan mustaa öljyä.
- Käytä vaihtosiimaa ainoastaan nailonsiimaa, jonka

läpimitta vastaa tämän käsikirjan teknisten tietojen taulukkoa.

- Kun pidennät siimaa, palauta laite aina normaaliin käyttöasentoon ennen sen käynnistystä. Puhdista tuote aina käytön jälkeen pehmeällä ja kuivalla liinalla.
- Varmista, että kaikki suojukset, hinnat, ohjauslevyt ja kädensijat on kiinnitetty tukevasti, jotta välyt loukkaantumisaaralta.

## POLTOAINESEKOITUKSEN MÄÄRÄ

Varmista, että kiinnitin on kunnolla kiinni	Ennen jokaista käyttöä
Tarkasta, Leikkuuosa ei saa pyöriä tyhjäkäynnin aikana. <sup>2</sup>	Ennen jokaista käyttöä
Tarkista polttoaineletku	Ennen jokaista käyttöä
Tarkasta kaikki letkuliitännät	Ennen jokaista käyttöä
Puhdista polttoainesäiliö ja suodatin <sup>1</sup>	Joka 3. kuukausi tai 50 käyttötunnin jälkeen
Vaihda polttoaineensuodatin uuteen <sup>1</sup>	Kerran vuodessa tai 300 käyttötunnin jälkeen
Tarkista polttoainesäiliön korkki tai polttoainesäiliön huohotusventtiili (jos sellaista on) vuotojen varalta	Ennen jokaista käyttöä
Puhdista ilmansuodatin.	25 tunnin välein
Vaihda ilmansuodatin	Kerran vuodessa tai 300 käyttötunnin jälkeen
Puhdista tai säädä sytytysluppa	Joka 6. kuukausi tai 100 käyttötunnin jälkeen
Vaihda polttoaineensuodatin uuteen	Kerran vuodessa tai 300 käyttötunnin jälkeen
Puhdista kipinäsuojus	25 tunnin välein
Vaihda kipinänsammutin uuteen.	Kerran vuodessa tai 300 käyttötunnin jälkeen
Pakoaukon ja äänenvaimentimen puhdistaminen	25 tunnin välein

- 1 Vain valtuutetun huoltoliikkeen tulisi hoitaa nämä kohdat.
- 2 Jos näin ei ole, ota yhteyttä valtuutettuun huoltopalveluun korjauksa tai säätöä varten.

### KÄYTTÖÖN LIITTYVÄT RISKIT

Vaikka tuotetta käytettäisiin ohjeiden mukaisesti, ei ole mahdollista täysin eliminoida tiettyjä käyttöön liittyviä riskitekijöitä. Käytössä voi aiheutua seuraavia vaaroja, ja käyttäjän tulee kiinnittää erityistä huomiota niiden välttämiseen:

- Leikkuuterän koskettaminen.
  - Varmista, että teräsuojukset kiinnitetään aina, kun tuotteen käyttö päätetään. Pidä kädet ja jalat aina kaukana teristä.
- Tärinän aiheuttama vamma.

- Käytä aina työhön sopivaa laitetta, käytä nimettyjä kahvoja ja rajoita työaikaa sekä altistumista.
- Melulle altistumisesta aiheutunut kuulovamma.
  - Käytä suojalaseja ja rajoita altistumista.
- Silmävamma sinkoilevien roskien takia.
  - Käytä aina suojalaseja.
- Putoavien kappaleiden vaara
  - Jos työssä on putoavien esineiden, esim. oksien vaara, käytä päänsuojainta.

Raivaussaha saattaa potkaista takaisin käytön aikana. Hallitse tuotetta aina siinä olevilla käsikahvoilla käyttämällä molempia käsiä. Ehkäise takapotkujen vaaraa perehtymällä muualla tässä käyttöoppaassa annettuihin ohjeisiin.

### RISKIEN VÄHENTÄMINEN

Raporttien mukaan käsikäyttöisten laitteiden tärinä voi joidenkin kohdalla myötävaikuttaa Raynaud's Syndromen (Raynaudin oireen) ilmenemiseen. Oireita ovat pistely, turvuus ja sormien kalpeneminen, yleensä kylmässä ilmassa. Perinnölliset tekijät, kylmyys ja kosteus, ruokavalio, tupakointi sekä työtavat voivat kaikki myötävaikuttaa näiden oireiden ilmenemiseen. Käyttäjä voi ehkäistä tärinän aiheuttamia vaikutuksia seuraavasti:

- Pidä itsesi lämpimänä kylmällä säällä. Käytä tuotteen käytön aikana käsineitä, jotta kätesi ja ranteesi pysyvät lämpöisinä. Raporttien mukaan kylmä ilma on tärkeä tekijä Raynaud's Syndromen (Raunaudin oireiden) ilmenemisessä.
- Harjoita kunkin käyttöjakson jälkeen liikuntaa, jotta verenkierto lisääntyy.
- Varmista ennen laitteen käynnistystä, että se on oikeassa työasennossa.
- Rajoita päivittäisen tärinän määrä. Pidä työn aikana säännöllisesti taukoja.

Jos mitään yllä mainittuja oireita ilmenee, lopeta heti laitteen käyttö ja kerro oireista lääkärille.

### VAROITUS

Laitteen pitkäaikainen käyttö voi aiheuttaa tai vaikeuttaa vammoja. Kun käytät mitä tahansa laitetta pitkiä aikoja, muista pitää säännöllisiä taukoja.

### TUNNE TUOTTEESI

1. Käynnistyskahva
2. Polttoainesäiliön korkki
3. RBC31SBO: Kahva
4. RBC31SBO: Vetoakseli
5. Teräsuojain
6. Ruohonohjain
7. Nailonmutteri
8. Terän aluslaatta
9. Kuppivälilevy
10. Teränsuoja
11. Tri-Arc-terä
12. Ylälangan kotelo
13. Kela
14. Nuppi
15. Alalangan kotelo

16. Leikkuusiima
17. RBC31SBO: Kaasuttimen interlock
18. RBC31SBO: Kaasuliipaisin
19. Katkaisin
20. RBC31SBO: Kaasun lukitus
21. Hihnan ripustin
22. RBC31SESO: Alavarsi
23. RBC31SESO: Nuppi
24. RBC31SESO: Ylävarsi
25. RBC31SESO: Etukädensija
26. RBC31SESO: Kaasuliipaisin
27. RBC31SESO: Kaasun lukitus

#### TUOTTEESSA OLEVAT SYMBOLIT



Varoitus



Lue ja ymmärrä kaikki ohjeet ennen tuotteen käyttöä ja noudata kaikkia varoituksia ja turvallisuusohjeita.



Käytä suojalaseja, kuulosuojaimia ja kypärää



Käytä tätä tuotetta käyttäessäsi luisumattomia turvajalkineita.



Käytä luisumattomia raskaan käytön käsineitä.



Varo sinkoutuneita ja muita lentäviä esineitä. Pidä kaikki sivulliset vähintään 15 metrin päässä toiminta-alueelta – erityisesti lapset ja lemmikit.



Tätä tuotetta ei ole tarkoitettu käytettäväksi hammastetun terän kanssa.



Vähennä loukkaantumisen ja rikkoutumisen riskiä olemalla koskettamatta mitään kuumaa pintaa.



Pidä kädet kaukana teristä.



Taattu äänen-teho



Käyntiasento



Aseta rikastinvipu asentoon "FULL".



Aseta rikastinvipu asentoon "HALF".



Odotusaika 10 sekuntia



RIKASTUS  
Paina pumppauspalloa 10 kertaa.



Vedä käynnistysköyttä



Käynnistä laite/käytä laitetta puristamalla kaasuliipaisinta.



Lukitse kaasu paikoilleen painamalla kaasuttimen interlock-painiketta.



Käytä lyijytöntä autoille tarkoitettua, vähintään 91 ((R+M)/2) oktaanin bensiiniä.



Käytä ilmajäähdytteisissä moottoreissa kaksitahtiöljyä.



Sekoita polttoaine huolella ja aina ennen tankkausta.



Kylmän moottorin käynnistys käsin



Kuuman moottorin käynnistys käsin



Kylmän moottorin käynnistys sähkökäynnistimellä



Kuuman moottorin käynnistys sähkökäynnistimellä



Suora akseli -symboli: Kun siimakelaa kiinnitetään leikkuriin, käyttäjän on nähtävä tämä symboli.



Tri-Arc-terä sopii tälle laitteelle ja soveltuu rehevien rikkaruohojen ja viiniköynnöksen leikkaamiseen.



Varo terän iskuja



Leikkuulaitteen akselin kiertosuunta ja maksiminopeus.



Vedä  
Pikavapautuskieleke



Tämä työkalu on sen EU-maan kaikkien sääntömääräisten standardien mukainen, josta se on ostettu.



EurAsian-vaatimustenmukaisuusmerkki



Ukrainalainen  
säästöstenmukaisuusmerkintä

Seuraavat signaalisanat ja merkitykset on tarkoitettu selittämään tähän tuotteeseen liittyviä riskin tasoja.

#### ⚠ VAARA

Ilmaisee välitöntä vaaratilannetta, joka ellei sitä vältetä, johtaa kuolemaan tai vakavaan loukkaantumiseen.

#### ⚠ VAROITUS

Ilmaisee potentiaalisen vaaratilanteen, joka ellei



sitä välttää, johtaa kuolemaan tai vakavaan loukkaantumiseen.

#### **HUOMAUTUS**

Ilmaisee potentiaalisen vaaratilanteen, joka ellei sitä välttää, saattaa johtaa pienempään tai keskivaikeaan loukkaantumiseen.

#### **HUOMAUTUS**

Ilman turvallisuusvaroitussymbolia

Ilmoittaa tilanteesta, jossa omaisuutta saattaa vaurioitua.

#### **TÄMÄN KÄSIKIRJAN SYMBOLIT**



Huom



Varoitus

EN

FR

DE

ES

IT

NL

PT

DA

SV

**FI**

NO

RU

PL

CS

HU

RO

LV

LT

ET

HR

SL

SK

BG

UK

TR

Sikkerhet, ytelse og pålitelighet har hatt høyeste prioritering under utformingen av ryddesagen/gresstrimmeren.

#### TILTENKT BRUK

Ryddesagen/gresstrimmeren skal bare brukes av voksne som har lest og forstått instruksjonene og advarslene i denne håndboken, og som kan holdes ansvarlig for sine handlinger. Produktet er kun tiltenkt til utendørs bruk på et godt ventilert sted. Av sikkerhetshensyn må produktet betjenes på forsvarlig vis med to hender.

Produkter som er utstyrt med et gresstrimmerhode (og tilhørende beskyttelse) er beregnet på å klippe gress, mykt ugress og lignende vegetasjon på eller rett over bakkenivå. Når enheten er utstyrt med Tri-Arc™-blad (og en passende skjerm), kan den også kutte busker. Produktet er ikke laget for å brukes med et sagblad.

Kutteflaten bør være om trent parallell med bakkeoverflaten. Produktet må ikke brukes til klipping av hekker, busker eller annen vegetasjon der kniven ikke er parallell med bakken. Ikke bruk til noe annet formål.

#### ⚠ ADVARSEL

For å minke faren for personskade, er det viktig at du leser og forstår anvisningene i denne bruksanvisningen.

#### ⚠ ADVARSEL

Ikke bruk produktet før du har lest grundig gjennom og forstått alle instruksjoner og sikkerhetsregler i denne håndboken. Å ikke følge dette kan føre til ulykker som elektrisk støt, brann og/eller alvorlig personskade. Ta vare på brukermanualen og les den ofte for å sikre trygg drift og instruer andre som kan komme til å bruke verktøyet.

#### ⚠ ADVARSEL

Dette produktet er ikke ment å bli brukt av barn eller personer med nedsatte fysiske, mentale eller sensoriske evner. Barn må ha riktig tilsyn for å sikre at de ikke leker med produktet.

#### GENERELLE SIKKERHETSADVARSLER

- For trygg bruk, les og forstå alle instruksjoner før du tar i bruk produktet. Følg alle sikkerhetsinstruksjoner. Hvis du ikke følger dem, kan det føre til alvorlige personskader.
- Noen regioner har bestemmelser som begrenser bruk av dette produktet. Spør de lokale myndigheter for råd.
- Ikke la barn eller ukyndige bruke dette utstyret.
- Ikke start eller kjøør motoren i rom uten god ventilasjon; innånding av eksosgasser kan drepe.
- Klargjør arbeidsstedet før hver gangs bruk. Fjern alle gjenstander som steiner, knust glass, spiker, ståltråd eller tråder som kan sprute eller vikle seg inn i trimmerhodet eller bladet.
- Ha på deg passende vernebriller og hørselsvern når du bruker produktet. Hvis du jobber i områder der det er fare for fallende objekter, må du bruke hjelm.

- Hørselsvern kan hindre operatøren i å høre varsellyder. Vær spesielt oppmerksom på mulige farer rundt deg og innenfor arbeidsområdet.
- Bruk tette langbukser, sklisikre sko og hansker. Ikke bruk løstsittende klær, korbukser, smykker av alle slag og ikke gå barbert.
- Sørg for at langt hår ikke når lenger ned enn skuldrene for å hindre at det kan fanges opp av roterende deler.
- Hold andre mennesker på minst 15 meters avstand. Stopp produktet når noen kommer inn på området hvor produktet brukes.
- Ikke bruk utstyret når du er sliten, syk eller under påvirkning av alkohol, narkotika eller medisiner som kan påvirke reaksjonsevne og dømmekraft.
- Ikke bruk i dårlig lys. Operatøren må ha full sikt for å kunne identifisere potensielle farer.
- Sørg for godt fotfeste og god balanse til enhver tid. Ikke len deg for langt. Ved å strekke deg kan du risikere å miste balansen eller få kontakt med varme flater.
- Hold alle deler av kroppen vekke fra bevegelige deler.
- Ikke berør området rundt lydempere eller sylindere på produktet, da disse delene kan være varme etter drift.
- Stopp alltid motoren før du foretar justeringer.
- Ikke røyk eller bruk åpen ild mens du blander eller fyller tanken med drivstoff.
- Bland og oppbevar drivstoff i en beholder som er godkjent for drivstoff.
- Bland brennstoffet utendørs, på et sted der det ikke finnes gnister eller åpen flamme. Tørk opp alt brennstoffsøl. Gå minst 9 m unna påfyllingsstedet for drivstoff før du starter motoren.
- Stopp motoren og la produktet kjøles ned før ny påfylling.
- La motoren kjøle seg ned; tøm drivstofftanken og sørg for at enheten ikke kan flytte på seg før den transporteres i et kjøretøy.
- Stopp alltid motoren og kontroller at alle bevegelige deler har stoppet før du:
  - det utføres servicearbeid
  - etterlater produktet uten tilsyn
  - rengjøring av produktet ditt
  - skifte av tilbehør
  - fjerne blokkeringer
  - se etter skader dersom verktøyet har truffet en gjenstand
  - se etter skader dersom produktet begynner å vibrere kraftig
  - gjennomfører vedlikehold
  - fjerne bladet
  - montere bladet

### ⚠ ADVARSEL

Bruk aldri trimmetilbehør eller annet tilbehør som ikke er spesifisert av Ryobi i denne håndboken. Dette omfatter også bruken av svingkjeder med metallbiter og vertikalskjærer. Disse vil ofte gå i stykker under bruk og kan derfor påføre brukeren eller tilskuere alvorlig skade.

### ⚠ ADVARSEL

Inspeksjon etter fall og andre former for støt

Foreta en grundig inspeksjon for å identifisere eventuelle skader eller påvirkning av funksjonaliteten. Enhver del som er skadet må repareres eller skiftes ut ved et autorisert serviceverksted.

### SIKKERHETSADVARSLER FOR

- Erstatt snorhodet hvis sprukket eller skadet på annen måte. Sørg for at strenghodet og bladet er riktig montert og godt festet. A unnlatt å gjøre det kan føre til alvorlig personskaade.
- Unngå å bruke på vått gress.
- Ikke gå baklengs når du bruker produktet.
- Gå, du må aldri løpe mens du arbeider med maskinen.
- Det lille bladet på kutteutstyrsskjermen er utformet for å trimme den nye, forlengede linjen til riktig lengde og oppnå sikker og optimal ytelse. Den er skarp; ikke ta på den, spesielt ikke ved rengjøring av produktet.
- Sørg alltid for at avfall ikke tetter ventilasjonsspaltene.
- Før bruk og etter hvert slag, sjekk for skadede deler. Sjekk kutteenheten for sprekker eller andre skader. En defekt bryter eller enhver annen del som er skadet må repareres eller skiftes ved et autorisert serviceverksted.
- Påse at hodepåsatsen er satt på riktig og festet godt.
- Sikre at alle beskyttere, deflektorer, håndtak, bolter og fester er riktig og sikkert festet.
- Ikke endre produktet på noen måte. Dette kan øke faren for skade for deg eller andre.
- Bruk kun produsentens originale kuttelinje i kuttehodet. Ikke bruk andre kuttetillegg.
- Bruk aldri produktet uten kutteutstyrsskjermen på plass og i god stand.
- Hold et fast grep på begge håndtak ved trimming. Hold strenghodet under midjen. Du må aldri bruke enheten hvis trådhode er 76 cm eller mer over bakken.

### SIKKERHETSREGLER FOR RYDDESAGEN

- I tillegg til ovenstående regler er disse tilleggsinstruksjonene viktige når du bruker produktet i buskkuttermodus.
- Bruk solide vernehansker når du monterer eller demonterer blader. Skarpe kanter!
- Ikke gjør forsøk på å berøre eller stanse kniven når den roterer.
- Et bevegelig blad kan forårsake alvorlig personskaade.

Oppretthold god kontroll over produktet med begge hender inntil bladet har sluttet helt å rotere.

- Fjern enhver kniv som er påført skade. Påse at bladet alltid er korrekt installert og forsvarlig festet før hver gangs bruk.
- Bruk kun produsentens Tri-Arc™ reserveblader. Ikke bruk andre kuttetillegg.
- Kutt aldri materiale over 13 mm i diameter.
- Buskkutteren er utstyrt med bæresele. Juster forsiktig selen slik at den komfortabelt bidrar til å støtte vekten på produktet og henge på ryggen din med blåserøret på din høyre side.
- Finn ut hvordan du skal bruke hurtigutløsermekanismen og øv deg på å bruke den før du tar i bruk maskinen. Riktig bruk kan hindre alvorlige personskader dersom en nødsituasjon skulle oppstå. Du må aldri bruke ekstra klær over selen eller på annen måte hindre hurtigutløsermekanismen.
- Dekk bladet med bladsliren før du lagrer enheten eller ved transport. Fjern alltid bladbeskytteren før du bruker enheten. Dersom den ikke fjernes kan bladbeskytteren bli kastet ut når bladet begynner å rotere.
- Utvis ekstrem forsiktighet når du bruker bladet med dette produktet. Bladkast er reaksjonen som kan oppstå dersom det roterende bladet treffer noe det ikke kan skjære gjennom. Denne kontakten kan føre til at bladet vil stoppe for et kort øyeblikk og brått "kaste" enheten vekk fra gjenstanden det traff. Denne reaksjonen kan være kraftig nok til at brukeren mister kontrollen over redskapen. Slike reaksjoner kan oppstå uten forvarsel dersom bladet bråstopper eller blokkeres. Dette kan lettere skje i områder der det er vanskelig å se det som skal kappes over.
- For å gjøre arbeidet enklere og tryggere bør kratt kappes fra høyre mot venstre. Dersom du skulle treffe på en skjult gjenstand eller en tykkere restamme vil dette kunne minimalisere bladets kastbevegelse. Begge hender må hele tiden benyttes for å kontrollere dette produktet.

### MONTERING

#### OPPAKKING

Se side 181 - 182.

Dette produktet krever montering.

- Ta forsiktig produktet og eventuelt annet utstyr ut av esken. Påse at alt som er ført opp på pakklisten befinner seg i esken.
- Inspiser produktet grundig og påse at det ikke har oppstått skader under transporten.

### ⚠ ADVARSEL

Om noen deler er skadet eller mangler ikke bruk dette produktet før det er reparert eller erstattet. Å ikke følge denne advarselen kan føre til alvorlig personskaade.

#### JUSTERING AV REIMHENEREN

Se side 185/189.

Juster reimhengeren til en komfortabel og balansert

posisjon, der bladet eller kutterutstyret vil henge mellom 100 mm og 300 mm over bakkeoverflaten.

### BRUK AV SELETØYET

Se side 185/189.

**MERK:** Bruk alltid bæreselen sammen med produktet.

**MERK:** Hvis du vil løsne produktet raskt fra bæreselen, trekker du kjapt og hardt i hurtigutløsningsknasten.

### BRUK AV REELEASY™ GRESSTRIMMERHODE OG TRI-ARC™-BLADET

- Fest gressavviseren til bladbeskyttelsen når du bruker ReelEasy™ gresstrimmerhodet. (Se side 203).
- Når Tri-Arc™-kniven brukes, må gressdefektoren fjernes fra knivbeskyttelsen. (Se side 202).

#### ⚠ ADVARSEL

Fjern alltid stiften for å låse girakselen før start av motoren (se side 185, trinn 4)

### BETJENING

#### BRENNSTOFF OG FYLING

Se side 184.

- Vis forsiktighet ved behandling av drivstoff, det er meget brannfarlig.
- Dette produktet drives med en totaktsmotor som må ha bensin blandet med totaktsolje. Bland blyfri bensin og totaktsolje i en ren beholder som er godkjent for oppbevaring av bensin.
- Denne motoren er godkjent for å kjøres på blyfri bensin for bilbruk, med et oktantal på 91 (R + MJ/2) eller høyere.
- Du må ikke bruke ferdigblandet bensin/olje fra bensinstasjoner.
- Bruk utelukkende syntetisk totaktsolje. Ikke bruk motorolje eller 2-taktsolje på utsiden som smøremiddel.
- Bland 2% syntetisk 2-taktsolje inn i bensinen. Dette gir forholdet 50:1.
- Bland brennstoffet godt ved blanding, og også før hver fylling.
- Bland bare små kvanta. Du bør ikke blande mer enn det du regner med å bruke i løpet av 30 dager. Vi anbefaler deg å bruke en syntetisk totaktsolje som inneholder en drivstoffstabilisator.

#### FYLLE TANKEN

- Rengjør overflaten rundt tanklokket for å unngå rusk i brennstoffet.
- Løsne lokket på brennstofftanken forsiktig for å slippe ut evt. overtrykk, og at brennstoffet lekker ut ved lokket.
- Tøm brennstoffblandingen forsiktig på tanken. Unngå søl.
- Før du setter tanklokket på igjen, bør du inspisere og rengjøre pakningen.
- Sett på lokket igjen med én gang, og sett det godt til. Tørk opp alt brennstofføsl. Flytt 9 m vekk fra påfyllingsstedet for drivstoff før motoren startes.

### STARTE MOTOREN VED HJELP AV EN ELEKTRISK STARTER (VALGFRITT):

Se side 196 - 201.

#### ⚠ ADVARSEL

Bruk bare den elektriske starteren Ryobi OES18. Bruk av en annen starter kan skade motoren og forårsake alvorlig personskade.

#### ⚠ ADVARSEL

Før du bruker den elektriske starteren for å starte produktet, må du lese og forstå driftshåndboken for OES18 fullt ut for å unngå feilaktig drift og alvorlig personskade.

- Hold det isolerte skaffet med venstre hånd mens du setter startbitakselen i akselhullet på motoren med høyre hånd. Ellers vil motoren ikke være i drift.
- Kontroller at starterbiten har gått riktig i inngrep.

**MERK:** Den elektriske starteren er utstyrt med en sikkerhetssperre. Ikke hold bryterknappen inne når du plasserer den elektriske starterakselen i motorens akselhull. Starteren vil ikke rotere hvis den elektriske starteren ikke har gått riktig i inngrep.

#### BETJENING AV GRESSTRIMMEREN

Se side 189.

**RBC31SESO:** Hold produktet med høyre hånd på det bakre håndtaket og venstre hånd på det fremre håndtaket.

**RBC31SBO:** Hold produktet med høyre hånd på avtrekkerhåndtaket og venstre hånd på venstre håndtak.

- Hold et fast grep med begge hender når redskapen brukes.
- Produktet må holdes i en komfortabel posisjon, med avtrekkerhåndtaket i omlag hofte høyde.
- Bruk alltid produktet på full gass. Langvarig klipping på halv gass vil føre til at smøreolje drypper ut fra støydemperen.
- Klipp høyt gress fra toppen og ned for å unngå at gress legger seg rundt akselhuset og snorhodet, noe som kan føre til skade fra overoppheting.
- Stopp motoren hvis gress eller rusk pakker seg rundt kniven. Bruk kraftige hansker og fjern rusket forsiktig for å unngå å skjære deg på de skarpe knivene.
- Ikke skyv inn i gresset som skal kuttes. Beveg enheten fra side til side. Flytt enheten litt fremover på slutten av hvert sveip.
- Hold produktet vippet mot området som klippes.
- Ikke bruk i farlige miljøer.
- Bruk tuppen av snoren til å klippe; ikke tving snorhodet inn i uklippet gress.
- Ståltråd og nettinggjerder fører til ekstra slitasje på snoren og noen ganger brudd. Stener og murer, fortauer og trær kan føre til rask sliting av snoren.
- Unngå trær og busker. Bark, trelister, kledning og gjerdestolper kan lett bli skadet av snoren.

## BRUKEN AV KRATTKUTTEREN

Se side 192.

Slik bidrar du til å redusere faren for tilbakeslag: Ikke skyv inn i materialet som skal kuttet. Beveg enheten fra høyre til venstre i stødige sveip. Beveg enheten litt fremover på begynnelsen av hvert nytt sveip.

**RBC31SESO:** Hold produktet med høyre hånd på det bakre håndtaket og venstre hånd på det fremre håndtaket.

**RBC31SBO:** Hold produktet med høyre hånd på avtrekkerhåndtaket og venstre hånd på venstre håndtak.

- Produktet må holdes i en komfortabel posisjon, med avtrekkerhåndtaket i omlag hofte høyde.
- Behold grepet og balansen på begge føtter. Plasser deg selv slik at du ikke risikerer å miste balansen ved tilbakeslag fra skjærebildet.
- Juster strophengeren til en komfortabel posisjon.
- Utvis ekstrem forsiktighet når du bruker bladet med dette produktet. Bladkast er reaksjonen som kan oppstå dersom det roterende bladet treffer noe det ikke kan skjære gjennom. Denne kontakten kan føre til at bladet vil stoppe for et kort øyeblikk og brått "kaste" enheten vekk fra gjenstanden det traff. Denne reaksjonen kan være kraftig nok til at brukeren mister kontrollen over redskapen. Slike reaksjoner kan oppstå uten forvarsel dersom bladet bråstopper eller blokkeres. Dette kan lettere skje i områder der det er vanskelig å se det som skal kappes over. For å gjøre arbeidet enklere og tryggere bør kratt kappes fra høyre mot venstre. **Dersom du skulle treffe på en skjult gjenstand eller en tykkere trestamme vil dette kunne minimalisere bladets kastbevegelse.**

## TRANSPORT OG LAGRING

- Slå av produktet og la det kjøles ned før lagring eller transport.
- Fjern alle fremmedelementer fra produktet.
- Hvis en kappeskive er montert, dekker du den til med bladbeskytteren.
- Tøm alt brennstoff fra tanken over i en beholder som er godkjent for bensin. Husk å sette på og drivstofflokket og stramme det godt til.
- Kjør motoren til den stopper. Dette vil fjerne alt drivstoff som ikke lenger er egnet, og la avleiringer og harpiks bli igjen i drivstoffsystemet.
- Lagres på et kjølig, tørt og godt ventilert sted som er utilgjengelig for barn. Hold den borte fra korrosive materialer, så som ugressmidler og veisalt. Ikke oppbevar utendørs.
- Ved transport må produktet sikres mot å komme i bevegelse eller falle for å unngå skade på personer eller produktet.
- Bær eller transporter aldri produktet når det går.
- Pass på at du overholder både nasjonale og lokale regelverk for sikker lagring og håndtering av bensin. Overflødig oljeblandt brennstoff kan brukes opp i annet utstyr med totaktmotor.

## KORTSIKTIG

- Stopp motoren og la den kjøles ned før oppbevaring.
- Fjern alle fremmedelementer fra produktet.
- Lagres på et kjølig, tørt og godt ventilert sted som er utilgjengelig for barn.
- Hold den borte fra korrosive materialer, så som ugressmidler og veisalt.
- Ikke oppbevar utendørs.

## VEDLIKEHOLD

### ⚠ ADVARSEL

Bruk kun produsentens originale reservedeler, tilleggsutstyr og påsatsler. Dersom dette ikke følges, kan det forårsake personskader, dårlig funksjon og kan annullere garantien din.

### ⚠ ADVARSEL

Klippetilbehøret må ikke bevege seg når motoren går på tomgang. Hvis dette skjer må clutchen justeres eller maskinen snarest mulig vedlikeholdes av en kvalifisert tekniker.

### ⚠ ADVARSEL

Et tanklokk som lekker representerer brannfare og må skiftes umiddelbart.

### ⚠ ADVARSEL

Merk at bladmutteren er en nylock-mutter, som kun skal brukes én gang. Den skal derfor ikke brukes flere ganger. Bruk en ny nylock-mutter ved montering og remontering. Hvis du ikke følger dem, kan det føre til alvorlige personskader.

### ⚠ ADVARSEL

Pass på at dreiemomentet på mutteren er  $\geq 25$  Nm når kniven monteres. Hvis du ikke følger dem, kan det føre til alvorlige personskader. (se side 202, trinn 4)

- Stopp alltid motoren, og la den avkjøles før du utfører vedlikeholdsarbeider.
- Du kan foreta justeringer og reparasjoner som er beskrevet i denne brukermanualen. For andre typer reparasjoner må maskinen leveres til et autorisert verksted.
- Konsekvensene av manglende eller feilaktig vedlikehold kan være overdreven avleirning av karbon, noe som i sin tur kan føre til tap av ytelse og oljeoverskudd som drypper ut fra støydemperen.
- For å skifte tråd, bruk kun nylonfibertråd med diameteren spesifisert i tabellen i denne håndboken.
- Etter at du har forlenget kuttetråden, må du alltid først snu produktet til vanlig arbeidsstilling før du starter det. Etter hver bruk, rens produktet med en myk tørr klut.

- Påse at alle sikringselementer, stropper, gressutkaster og håndtak er korrekt og solid festet for å unngå fare for personskade.

#### VEDLIKEHOLDSPLAN

Kontroller om festeenheten er strammet helt til	Før hver gangs bruk
Kontroller: Klippetilbehøret må ikke bevege seg når motoren går på tomgang. <sup>2</sup>	Før hver gangs bruk
Sjekk drivstoffslangen	Før hver gangs bruk
Sjekk alle slangetilkoblinger	Før hver gangs bruk
Rengjør drivstofftanken og -filteret <sup>1</sup>	Hver 3. måned eller 50 timers drift
Skifte ut drivstoffilter <sup>1</sup>	Hvert år eller etter 300 timers drift
Kontroller at bensintanklokket og bensintankens dampventil (hvis montert) ikke lekker	Før hver gangs bruk
Rengjør luftfilteret.	Hver 25 driftstimer
Skift luftfilteret	Hvert år eller etter 300 timers drift
Rengjør eller juster tennpluggen	Hver 6. måned eller 100 timers drift
Skifte ut drivstoffilter	Hvert år eller etter 300 timers drift
Rengjør gnistfangeren	Hver 25 driftstimer
Erstatt med en ny gnistfanger.	Hvert år eller etter 300 timers drift
Rengjøring av eksportporten eller lyddemperen	Hver 25 driftstimer

1 Disse prosedyrene bør bare utføres av et autorisert servicesenter.

2 Hvis dette kravet ikke oppfylles, ta kontakt med et autorisert servicesenter for reparasjon eller justering.

#### GJENVÆRENDE RISIKO

Selv om utstyret brukes som beskrevet er det ikke mulig å unngå enhver gjenværende risiko. Følgende faresituasjoner kan oppstå ved bruk, og operatøren må legge spesielt vekt på å unngå følgende:

- Kontakt ved kappeutstyr.
  - Sikre at bladskjermen er på plass når produktet er i bruk. Hold på ethvert tidspunkt hender og føtter vekke fra bladene.
- Personskade på grunn av vibrasjon.
  - Bruk alltid riktig verktøy til jobben, bruk håndtakene og begrens arbeidstiden og eksponeringen.
- Eksponering for støy kan gi hørselsskader.
  - Bruk hørselvern og begrens eksponeringen.
- Øyeskader som følge av flygende gjenstander.

– Bruk til enhver tid øyebeskyttelse.

- Se opp for fallende gjenstander
  - Ha alltid på deg hodebeskyttelse hvis er fare for fallende gjenstander.

Tilbakeslag kan oppstå når du bruker buskkutteren. Sørg for god kontroll ved å bruke begge hender på de respektive håndtakene. Les og følg retningslinjene i håndboken for å redusere risikoen for tilbakeslag.

#### FAREREDUKSJON

Det foreligger rapporter om at vibrasjoner fra håndholdt verktøy for enkelte personer kan bidra til en tilstand som kalles Raynauds Syndrome. Symptomene kan omfatte følelseløshet og gjøre fingrene bleke, vanligvis synlig ved eksponering til lave temperaturer. Arvelige faktorer, eksponering mot lave temperaturer og fuktighet, diett, røyking og arbeidspraksis blir alle ansett for å kunne bidra til å utvikle disse symptomene. Brukeren kan iverksette tiltak for mulig å redusere virkningene av vibrasjonene:

- Hold kroppen din varm i kaldt vær. Bruk hansker og hold hender og håndledd varme ved bruk av produktet. Det er rapportert at kaldt vær er en viktig faktor som bidrar til Raynauds Syndrome.
- Etter hver arbeidsperiode bør det utføres øvelser for å øke blodstrøketilførselen.
- Påse at maskinen er korrekt plassert i en korrekt arbeidsstilling for den startes.
- Begrens mengden av eksponering pr. dag. Ta ofte pauser fra arbeidet som utføres.

Hvis du opplever noen av symptomene på denne tilstanden må du øyeblikkelig avbryte arbeidet og oppsøke en lege med disse symptomene.

#### ⚠ ADVARSEL

Hvis man bruker verktøyet for lenge av gangen, kan det føre til eller forverre allerede eksisterende personskade. Når du bruker et verktøy over en lenger tidsperiode, husk å ta regelmessige pauser.

#### KJENN PRODUKTET DITT

1. Starthåndtak
2. Løkk til drivstofftank
3. RBC31SBO: Sykkelhåndtak
4. RBC31SBO: Drivaksel
5. Bladhylse
6. Gressutkaster
7. Nylonmutter
8. Bladskive
9. Buet skive
10. Knivbeskytter
11. Tri-Arc-kniv
12. Øvre strenghodehus
13. Spole
14. Støtknast
15. Nedre strenghodehus
16. Klippesnor
17. RBC31SBO: Gass-sperre
18. RBC31SBO: Gasshendel
19. Startbryter

- 20. RBC31SBO: Gasslås
- 21. Stropphenger
- 22. RBC31SESO: Nedre stang
- 23. RBC31SESO: Knott
- 24. RBC31SESO: Øvre skaft
- 25. RBC31SESO: Fremre håndtak
- 26. RBC31SESO: Gasshendel
- 27. RBC31SESO: Gasslås

### SYMBOLER PÅ PRODUKTET



Sikkerhetsalarm



Les og forstå alle instruksjer før du tar i bruk produktet, følg alle advarsler og sikkerhetsanvisninger.



Bruk beskyttelse for øyne, hørsel og ansiktet.



Anvend glisikkert fotteøy ved bruk av dette produktet.



Bruk kraftige, sklisikre hansker.



Vær oppmerksom på utkastede eller flygende gjenstander. Hold tilskuere, spesielt barn og dyr, på god avstand, det vil si minst 15 meter fra arbeidsområdet



Dette produktet er ikke ment brukt med et tannet knivblad av sagtype.



Før å redusere faren for skade på person, unngå kontakt med enhver varm overflate.



Hold hendene vekke fra kniven.



Garantert lydeffektnivå



Kjørestilling



Sett chokespaken til "FULL" chokeposisjon.



Sett chokespaken til "HALF" (halv) chokeposisjon.



Ventetid 10 sekunder



KLARGJØRING  
Trykk på primerballongen 10 ganger.



Dra i startsnoren



Trykk gasspjeldutløseren for å starte/kjøre.



Lås gassen inne ved å slippe opp låseknappen til gassen.



Bruk blyfri bensin til biler med et oktantal på 91 ((R+M)/2) eller mer.



Bruk 2-taktsolje for luftkjølte motorer.



Bland drivstoffet grundig også hver gang før etterfylling av drivstoff.



Starte en kald motor for hånd



Starte en varm motor for hånd



Starte en kald motor med en elektrisk starter



Starte en varm motor med en elektrisk starter



Symbol for rett aksel: Pass på at dette symbolet er synlig for operatøren når du monterer linespolen på trimmeren.



Tri-Arc-bladet passer til dette produktet, og egner seg til fjerning av kjøttfullt ugress og slyngplanter



Følg nøye med på bladets bevegelse.



Rotasjonsretning og maksimum hastighet for akselen til kappetilbehøret.



Trekk  
Hurtigutløserflik



Dette verktøyet overholder samtlige standarder i det EU-landet det er kjøpt i.



EurAsian Konformitetstegn



Ukrainsk merke for konformitet

Følgende symboler og betydninger forklarer risikonivået som er assosiert med dette produktet.

#### FARE

Indikerer en øyeblikkelig farlig situasjon, som, hvis ikke unngås, kan resultere i død eller alvorlig personskaade.

#### ADVARSEL

Indikerer en potensiell farlig situasjon, som, hvis ikke unngås, kan resultere i død eller alvorlig personskaade.

#### FORSIKTIGHETSREGEL

EN  
FR  
DE  
ES  
IT  
NL  
PT  
DA  
SV  
FI  
NO  
RU  
PL  
CS  
HU  
RO  
LV  
LT  
ET  
HR  
SL  
SK  
BG  
UK  
TR

Indikerer en potensiell farlig situasjon, som, hvis ikke unngås, kan resultere i mindre eller moderat personskada.

#### **FORSIKTIGHETSREGEL**

Uten sikkerhetsvarselsymbol

Indikerer en situasjon som kan føre til skade på eiendom.

#### **SYMBOLER I DENNE MANUALEN**



Nb



Advarsel



При производстве кустореза / триммера для травы наибольшее внимание уделяется безопасности, эксплуатационным характеристикам и надежности инструмента.

### НАЗНАЧЕНИЕ

Кусторез / триммер для травы предназначен только для использования взрослыми, изучившими все инструкции и предостережения настоящего руководства и несущими ответственность за свои действия. Продукт предназначен только для использования на открытом воздухе в хорошо проветриваемом месте. Из соображений безопасности всегда необходимо эксплуатировать инструмент, управляя им двумя руками.

Модель, оснащенная катушкой триммера для травы (и соответствующим защитным кожухом) предназначена для стрижки длинной травы, резы мягких деревьев и подобной растительности на или у поверхности земли. При установке ножа Tri-Arc™ (и соответствующего защитного кожуха), инструмент можно использовать для стрижки кустов. Данная модель не предназначена для установки пильного полотна.

Плоскость скашивания должна быть приблизительно параллельной поверхности земли. Данное устройство не должно использоваться для обрезки или подравнивания живой изгороди, кустов или другой растительности, при работе с которой плоскость резания не параллельна поверхности земли.

Не используйте устройство для каких-либо иных целей.

### ⚠ ОСТОРОЖНО

Чтобы уменьшать риск ущерба, пользователь должен читать и понимать руководство оператора.

### ⚠ ОСТОРОЖНО

Не начинайте работу с оборудованием до того, как тщательно и полностью прочитаете инструкцию и правила безопасного обращения с инструментом, содержащиеся в настоящем руководстве. Несоблюдение данных инструкций может привести к несчастным случаям, включая поражение электрическим током, возгорание и тяжкие телесные повреждения. Сохраните данное руководство по эксплуатации и в дальнейшем обращайтесь к нему чаще, чтобы помнить указания по безопасной эксплуатации инструмента и инструктировать лиц, которые могут пользоваться данным инструментом.

### ⚠ ОСТОРОЖНО

Данное устройство не предназначено для использования детьми или лицами с ограниченными физическими, психическими или сенсорными возможностями. Не допускайте того, чтобы дети играли с этим устройством.

## ОБЩИЕ ПРАВИЛА БЕЗОПАСНОСТИ

- Для обеспечения безопасной работы с данным изделием следует прочитать и запомнить все указания данного руководства. Соблюдайте все инструкции по технике безопасности. Несоблюдение этих инструкций может повлечь за собой тяжелые травмы.
- В некоторых регионах существуют правила, ограничивающие использование этого продукта. Проконсультируйтесь с местными органами власти.
- Не позволяйте пользоваться устройством детям или не обученным лицам.
- Никогда не запускайте и не используйте работающий двигатель в закрытом или плохо проветриваемом месте; вдыхание выхлопных газов может привести к летальному исходу.
- Перед каждым использованием проверяйте рабочую зону. Удалите все посторонние предметы, например, камни, разбитое стекло, гвозди, проволоку или леску, которые при работе инструмента могут быть отброшены, могут запутаться в леске или намататься на полотно.
- Используйте надежные приспособления для защиты глаз и органов слуха при работе с продуктом. При работе в зоне, где есть риск падения предметов, необходимо носить защитную каску.
- Средства защиты органов слуха ограничивают возможность оператора слышать предупредительные звуковые сигналы. Обращайте особое внимание на потенциальные опасности вокруг и внутри рабочей зоны.
- Работайте в прочных длинных брюках, специальной нескользкой обуви и перчатках. Не допускайте ношение слишком свободной одежды, коротких брюк, ювелирных изделий. Запрещается работать босиком.
- Чтобы избежать наматывания волос на вращающиеся детали, закрепите длинные волосы таким образом, чтобы они не свисали ниже плеч.
- При работе не позволяйте приближаться к вам на расстояние ближе 15 метров посторонним лицам, детям и домашним животным. Остановите устройство, если кто-то войдет в рабочую зону.
- Не работайте с данным устройством в случае усталости, болезненного состояния или под воздействием алкоголя, наркотиков или медикаментов.
- Не работайте при недостаточном освещении. Оператор должен убрать из рабочей зоны любые предметы, которые могут помешать заметить потенциальные опасности.
- Старайтесь сохранять устойчивость и подыскивайте твердую опору. Не перенапрягать. Чрезмерные усилия могут привести к потере равновесия или прикосновению к горячей поверхности.
- Не допускайте попадания частей тела в движущиеся детали.
- Не прикасайтесь к области рядом с глушителем и цилиндром инструмента, так как во время работы

EN  
FR  
DE  
ES  
IT  
NL  
PT  
DA  
SV  
FI  
NO  
RU  
PL  
CS  
HU  
RO  
LV  
LT  
ET  
HR  
SL  
SK  
BG  
UK  
TR

эти детали нагреваются.

- Перед выполнением настроек выключайте двигатель и дайте ему остыть.
- Не курите при приготовлении топливной смеси или заправке топливного бака.
- Готовьте топливную смесь и храните ее в предназначенной для этого канистре.
- Смешивайте и переливайте топливо на воздухе, вдали от искр и огня. Вытирайте разлившееся горючее. Отойдите на 9 м от места заправки топливом перед запуском двигателя.
- Перед заправкой выключите двигатель и дайте изделию остыть.
- Перед транспортировкой устройства дождитесь полного остывания двигателя; слейте топливо из топливного бака и закрепите устройство, чтобы предотвратить его перемещение.
- Всегда выключайте двигатель и убеждайтесь, что все движущиеся части остановились, перед выполнением следующих операций:
  - обслуживание
  - Оставление изделия без присмотра
  - очистка вашего инструмента
  - Замена принадлежностей
  - снятие блокировки
  - Проверка на наличие повреждений после столкновения с предметами
  - Проверка на наличие повреждений, если изделие начнет необычно вибрировать
  - Выполнение технического обслуживания
  - снимая лезвие
  - Установка полотна

#### **⚠ ОСТОРОЖНО**

Никогда не пользуйтесь элементами для стрижки, которые не предусмотрены компанией Ryobi в данном руководстве. Включая составные вращающиеся цепи и цепи (шарнирные ножи). Данные элементы для стрижки легко ломаются, представляя серьезную опасность для оператора и окружающих.

#### **⚠ ОСТОРОЖНО**

Осмотр после падения или других ударов  
Внимательно осмотрите устройство на отсутствие повреждений и поломок. В случае повреждения какой-либо детали необходимо обратиться в авторизованный сервисный центр для выполнения надлежащего ремонта или замены.

#### **МЕРЫ ПРЕДОСТОРОЖНОСТИ ПРИ ИСПОЛЬЗОВАНИИ ТРИММЕРА ДЛЯ ТРАВЫ**

- Замените струнную головку при образовании не ней трещин, сколов и любых других повреждениях. Катушка с леской должна быть установлена соответствующим образом и надежно закреплена.

Невыполнение данного требования может привести к тяжкому телесному повреждению.

- Не используйте устройство для стрижки влажной травы.
- Запрещается пытаться при эксплуатации продукта.
- Передвигайтесь шагом, не бегайте.
- Небольшой нож, установленный на защитном кожухе режущей насадки, предназначен для ограничения длины лески, для безопасной и оптимальной эксплуатации. Он острый, не касайтесь его, особенно при очистке инструмента.
- Всегда проверяйте устройство на отсутствие грязи в вентиляционных отверстиях.
- Перед использованием устройства или после него убедитесь, что в нем нет поврежденных деталей. Осмотрите режущие приспособления на наличие трещин или других повреждений. В случае неисправности выключателя или повреждения какой-либо детали необходимо обратиться в авторизованный сервисный центр для выполнения ремонта или замены.
- Убедитесь, что сменная головка правильно установлена и надежно закреплена.
- Убедитесь, что все защитные устройства, отражатели, ручки, болты и крепления надежно зафиксированы.
- Изменение конструкции изделия не допускается. Это может повысить риск получения травмы оператором и другими людьми.
- При замене режущей головки используйте только оригинальные запчасти от производителя. Использование других режущих насадок не допускается.
- Никогда не пользуйтесь инструментом, если защитный кожух режущей насадки не установлен или находится в нерабочем состоянии.
- При работе с инструментом крепко удерживайте его за обе ручки. Держите катушку ниже уровня пояса. Запрещается выполнять обрезку, держа струнную головку на высоте более 76 см над поверхностью земли.

#### **МЕРЫ ПРЕДОСТОРОЖНОСТИ ПРИ ИСПОЛЬЗОВАНИИ КУСТОРЕЗА**

- Данные правила, в дополнение к приведенным выше правилам, относятся к использованию инструмента в режиме кустореза.
- При установке и снятии лезвий работайте в перчатках для неблагоприятных условий, так как лезвия очень острые.
- Не прикасайтесь к вращающемуся режущему полотну и не пытайтесь его остановить.
- Движущееся лезвие может стать причиной тяжелой травмы. Управление инструментом необходимо осуществлять обеими руками до полной остановки лезвий.
- Заменяйте поврежденное режущее полотно. Всегда проверяйте правильность установки и надежность крепления режущего полотна перед каждым

использованием.

- Используйте только запасное лезвие Tri-Arc™ от производителя. Использование других режущих насадок не допускается.
- Не используйте для резки материала более 13 мм в диаметре.
- Ваш инструмент оснащен плечевым ремнем. Отрегулируйте плечевой ремень с учетом массы изделия и удобно разместите его на спине; при этом инструмент должен располагаться справа.
- Найдите механизм быстрого освобождения и опробуйте его перед началом использования устройства. Его правильное использование может предотвратить серьезные травмы в случае возникновения чрезвычайной ситуации. Никогда не носите одежду поверх ремня и никаким иным образом не ограничивайте доступ к механизму быстрого освобождения.
- Надевайте защитное устройство на режущее полотно перед помещением устройства на хранение или при транспортировке. Перед использованием инструмента всегда снимайте защитное устройство. Если его не снять, защитное устройство может быть отброшено, когда лезвие начнет вращаться.
- Соблюдайте предельную осторожность при использовании режущего лезвия с данным устройством. Отскок режущего лезвия может произойти при его соприкосновении с каким-либо не поддающимся обрезанию предметом. Такое соприкосновение может привести к внезапной остановке вращения лезвия и отбрасыванию инструмента от этого препятствия. Отдача может оказаться достаточно сильной и привести к потере контроля над устройством. Отскок режущего лезвия может произойти неожиданно, если лезвие наталкивается на препятствие, останавливается или заедает. Подобная ситуация может возникнуть при работе там, где трудно рассмотреть подрезаемый материал.
- Для облегчения подрезания и обеспечения безопасности подрезайте растения справа налево. В случае неожиданного соприкосновения с каким-либо предметом или со стволом дерева это может свести к минимуму отдачу. Управление инструментом всегда осуществляйте двумя руками.

## СБОРКА

### РАСПАКОВЫВАНИЕ

См. стр. 8.

Данное устройство требует сборки.

- Осторожно извлеките инструмент и принадлежности из коробки. Проверьте наличие всех деталей, перечисленных в упаковочном листе.
- Внимательно осмотрите устройство на наличие дефектов или повреждений, возникших при доставке.

## ⚠ ОСТОРОЖНО

Если любые части повреждены, или отсутствуют не использовать это изделие, пока части не заменены. Пренебрежение данным предупреждением может привести к тяжкому телесному повреждению.

### РЕГУЛИРОВКА РЕМНЯ ПОДВЕСКИ

См. стр. 11/15.

Отрегулируйте ремень подвески в удобное и уравновешенное положение, при котором лезвие или режущая насадка находится на расстоянии от 100 мм до 300 мм над поверхностью.

### ИСПОЛЬЗОВАНИЕ РЕМНЯ

См. стр. 11/15.

**ПРИМЕЧАНИЕ:** Всегда пользуйтесь плечевым ремнем при работе с инструментом.

**ПРИМЕЧАНИЕ:** Чтобы быстро снять ремень, резко потяните за петлю быстрого снятия.

### ИСПОЛЬЗОВАНИЕ ТРИММЕРНОЙ ГОЛОВКИ REELEASY™ И ЛЕЗВИЯ TRI-ARC™

- При использовании триммерной головки ReelEasy™ на защитную крышку лезвия необходимо установить травоотбрасыватель. (См. стр. 29).
- При использовании лезвия Tri-Arc™ отражатель травы должен быть снят с защитного приспособления лезвия. (См. стр. 28).

## ⚠ ОСТОРОЖНО

Перед запуском двигателя всегда вытаскивайте штырь, блокирующий вал-шестерню (см. стр. 10, пункт 4)

## ЭКСПЛУАТАЦИЯ

### ТОПЛИВО И ЗАПРАВКА БАКА

См. стр. 12.

- Всегда соблюдайте осторожность при обращении с топливом; оно крайне огнеопасно.
- Мотор инструмента - двухтактный, он работает на смеси бензина и масла для двухтактных двигателей. Смешивайте неэтилированный бензин с маслом для двухтактных двигателей в чистой стандартной канистре для бензина.
- Мотор работает на автомобильном неэтилированном бензине с октановым числом 91 или выше.
- Не пользуйтесь топливной смесью, приготовленной на бензоколонках для мопедов и мотороллеров.
- Пользуйтесь только синтетическим маслом для двухтактных двигателей. Не используйте автомобильную смазку или 2-циклическую наружную смазку
- Добавьте в бензин 2%-ное синтетическое масло для 2-тактного двигателя. Пропорция 1:50.
- Хорошо смешивайте топливо перед каждой

заправкой.

- Смешивайте топливо в небольших количествах: не более чем на месяц работы. Рекомендуется пользоваться синтетическим маслом для двухтактных двигателей, содержащим стабилизатор бензина.

### ЗАПРАВКА БАКА

- Во избежание засорения топлива протрите бак вокруг крышки.
- Медленно отвинтите крышку топливного бака, чтобы выпустить пары под давлением и чтобы топливо не вылилось наружу.
- Осторожно залейте топливную смесь в бак. Старайтесь не проливать ее.
- Прежде чем завинчивать крышку, проверьте состояние прокладки.
- Наденьте крышку на горловину и крепко завинтите ее. Вытирайте разлившееся горючее. Перед запуском двигателя переместитесь на 9 метров от места заправки.

### ЗАПУСК ДВИГАТЕЛЯ С ПОМОЩЬЮ ЭЛЕКТРИЧЕСКОГО СТАРТЕРА (ОПЦИОНАЛЬНО):

См. стр. 22-27.

#### ⚠ ОСТОРОЖНО

Используйте только электрический стартер Ryobi OES18. Использование другого стартера может повредить двигатель и стать причиной тяжелой травмы.

#### ⚠ ОСТОРОЖНО

Перед запуском двигателя инструмента с помощью электрического стартера внимательно изучите руководство пользователя электрического стартера OES18 во избежание неправильной его работы и причинения тяжелой травмы.

- Удерживайте изолированный вал левой рукой, а правой вставьте вал наконечника стартера в отверстие для вала на двигателе. В противном случае двигатель не запустится.
- Проверьте сцепление вала стартера.

**ПРИМЕЧАНИЕ:** Электрический стартер оснащен автоблокировкой. Не нажимайте и не удерживайте кнопку включения при вводе вала стартера в отверстие вала стартера на двигателе. Стартер не начнет вращаться, если нет соответствующего сцепления.

### ЭКСПЛУАТАЦИЯ ТРИММЕРА

См. стр. 15.

**RBC31SESO:** Держите инструмент правой рукой за заднюю ручку, а левой за переднюю.

**RBC31SBO:** Возьмите устройство правой рукой за рукоятку с курком, а левой рукой – за левую рукоятку.

- При работе крепко держите инструмент обеими руками.

- Устройство следует держать в удобном положении, чтобы рычажок дросселя был на уровне бедра.
- Всегда работайте на полной мощности. Длительное подрезание на неполной мощности приводит к разбрызгиванию масла из глушителя.
- Подрезайте высокую траву сверху вниз, чтобы она не наматывалась на кожух вала и струнную головку, так как это может привести к поломке вследствие перегрева.
- Если трава или мусор наматываются на режущие детали, остановите двигатель. Наденьте перчатки для тяжелых условий работы, чтобы защитить руки от острых лезвий и осторожно удалите мусор.
- Не давите на срезаемую траву. Двигайте инструмент из стороны в сторону. В конце каждой линии продвигайтесь немного вперед.
- Держите инструмент, наклонив его в сторону участка подрезания.
- Не используйте инструмент в опасных условиях эксплуатации.
- Подрезание выполняйте кончиком струны; не прилагайте излишних усилий, направляя струнную головку в нескошенную траву.
- При соприкосновении струны с забором из проволоочной сетки и оградой из штакетника происходит дополнительный износ струны и даже ее повреждение. Соприкосновение струны с каменными и кирпичными стенами, бордюрами камнями и лесоматериалами может привести к ее быстрому износу.
- Обходите деревья и кустарники. При соприкосновении струны с корой деревьев, деревянными рейками, наружной обшивкой и столбами ограды они могут быть легко повреждены струной.

### РАБОТА С КУСТОРЕЗОМ

См. стр. 18.

Чтобы снизить риск отскока: Не давите на срезаемые ветви. Двигайте инструмент вправо и влево равномерными движениями. В конце каждой линии продвигайтесь немного вперед.

**RBC31SESO:** Держите инструмент правой рукой за заднюю ручку, а левой за переднюю.

**RBC31SBO:** Возьмите устройство правой рукой за рукоятку с курком, а левой рукой – за левую рукоятку.

- Устройство следует держать в удобном положении, чтобы рычажок дросселя был на уровне бедра.
- Крепко держите инструмент, опирайтесь на обе ноги. Стойте так, чтобы не потерять равновесие в случае отскока режущего полотна.
- Установите ремешок для подвески в удобное положение.
- Соблюдайте предельную осторожность при использовании режущего лезвия с данным устройством. Отскок режущего лезвия может произойти при его соприкосновении с каким-либо не поддающимся обрезанию предметом. Такое соприкосновение может привести к внезапной

остановке вращения лезвия и отбрасыванию инструмента от этого препятствия. Отдача может оказаться достаточно сильной и привести к потере контроля над устройством. Отскок режущего лезвия может произойти неожиданно, если лезвие наталкивается на препятствие, останавливается или заедает. Подобная ситуация может возникнуть при работе там, где трудно рассмотреть подрезаемый материал. Для облегчения подрезания и обеспечения безопасности подрезайте растения справа налево. **В случае неожиданного соприкосновения с каким-либо предметом или со стволом дерева это может свести к минимуму отдачу.**

## ТРАНСПОРТИРОВКА И ХРАНЕНИЕ

- Остановите изделие, дайте ему остыть перед постановкой на хранение или транспортировкой.
- Очистите устройство от всех посторонних материалов.
- Если установлено режущее полотно, его необходимо закрыть предохранителем лезвия.
- Слейте все топливо из бака в канистру для бензина. Не забывайте тщательно закрывать крышку топливного бака.
- Дайте мотору поработать, пока он сам не остановится. Это позволит избавиться от старого топлива, представляющего опасность загрязнения топливной системы нагаром и смолами.
- Храните его в прохладном, сухом, хорошо проветриваемом и недоступном для детей месте. Не держите бензопилу рядом с коррозионными веществами, такими как садовые химикаты или размораживающая соль. Не храните на открытом воздухе.
- Для транспортировки закрепите изделие так, чтобы оно не могло перемещаться или упасть во избежание травмирования персонала или повреждения изделия.
- Ни в коем случае не перемещайте устройство при работающем двигателе.
- Соблюдайте государственные и местные нормы хранения топлива. Слитое топливо можно использовать в других инструментах с двухтактным мотором.

## КРАТКОСРОЧНЫЙ

- Выключите двигатель и дайте ему остыть перед тем, как убрать его на хранение.
- Очистите устройство от всех посторонних материалов.
- Храните его в прохладном, сухом, хорошо проветриваемом и недоступном для детей месте.
- Не держите бензопилу рядом с коррозионными веществами, такими как садовые химикаты или размораживающая соль.
- Не храните на открытом воздухе.

## ТЕХНИЧЕСКОЕ ОБСЛУЖИВАНИЕ

### ▲ ОСТОРОЖНО

Используйте только оригинальные запчасти, аксессуары и насадки от производителя. Невыполнение этого требования может привести к травме, к снижению производительности и к аннулированию гарантии.

### ▲ ОСТОРОЖНО

Режущая насадка не должна вращаться на холостых оборотах. Если данное указание не выполняется, может потребоваться регулировка муфты или срочный ремонт инструмента квалифицированным специалистом.

### ▲ ОСТОРОЖНО

Протекающая крышка топливного бака пожароопасна и должна быть заменена исправной немедленно.

### ▲ ОСТОРОЖНО

Обратите внимание, что гайка крепления лезвия - это контргайка с нейлоновым кольцом, которая подходит только для однократного применения. Не используйте ее повторно. При установке / повторной установке используйте новую контргайку с нейлоновым кольцом. Несоблюдение этих инструкций может повлечь за собой тяжелые травмы.

### ▲ ОСТОРОЖНО

При монтаже лезвия проверьте, чтобы усилие затяжки гайки было  $\geq 25$  Нм. Несоблюдение этих инструкций может повлечь за собой тяжелые травмы. (см. стр. 28, пункт 4)

- Всегда выключайте двигатель и давайте ему остыть перед проведением технического обслуживания.
- Вы можете также выполнить другие виды регулировки и ремонтные работы, описанные в данном руководстве. Другие виды ремонта должны выполняться специалистом уполномоченной сервисного центра.
- Вследствие ненадлежащего технического обслуживания может происходить чрезмерное образование нагара, что ведет к снижению производительности, и вытекание из глушителя черного маслянистого отстоя.
- Для замены струны используйте только нейлоновую струну, диаметр которой выбирается в соответствии с таблицей технических характеристик настоящего руководства.
- После удлинения режущей струны всегда возвращайте устройство в обычное рабочее положение перед запуском. После каждого

использования протирайте изделие мягкой сухой тканью.

- Во избежание телесных повреждения защитные кожаные ремни, отражатели и рукоятки должны быть правильно и надежно установлены.

#### СПИСОК ОБСЛУЖИВАНИЯ

Проверьте надежность креплений	Перед использованием	каждым
Проверьте: Режущая насадка не должна вращаться на холостых оборотах. <sup>2</sup>	Перед использованием	каждым
Проверка топливного шланга	Перед использованием	каждым
Проверка всех шланговых соединений	Перед использованием	каждым
Очистка топливного бака и фильтра <sup>1</sup>	Каждые 3 месяца или 50 часов работы	
Замена топливного фильтра <sup>1</sup>	Каждый год или 300 часов работы	
Проверьте крышку топливного бака и клапан отвода паров (если установлен) на наличие утечек	Перед использованием	каждым
Прочистите воздушный фильтр.	Каждые 25 часов	
Замена воздушного фильтра	Каждый год или 300 часов работы	
Очистите или отрегулируйте свечу зажигания	Каждые 6 месяцев или 100 часов работы	
Замена топливного фильтра	Каждый год или 300 часов работы	
Очистите искрогаситель	Каждые 25 часов	
Замените искрогаситель на новый.	Каждый год или 300 часов работы	
Очистка выхлопного отверстия и глушителя	Каждые 25 часов	

1 Указанные работы должны проводиться авторизованным сервисным центром.

2 Если это требование не выполнено, обратитесь в авторизованный сервисный центр для выполнения ремонта или регулировки.

#### БУДЬТЕ ВСЕГДА ОСТОРОЖНЫ

Даже когда изделие используют согласно инструкциям, невозможно полностью устранить факторы риска. При эксплуатации могут возникнуть следующие ситуации, которым пользователь должен уделять особое внимание, чтобы избежать проблем:

- Контакт с режущими приспособлениями.
  - Когда инструмент не используется, на лезвиях должны быть установлены защитные устройства. Не допускайте попадания рук и ног в зону работы режущих приспособлений.
- Травмы, вызываемые вибрацией.
  - Применяйте инструмент только по своему назначению, используйте надлежащие ручки и соблюдайте рабочий режим.
- Повреждение слуха, вызываемое воздействием шума.
  - Носите устройства защиты слуха и ограничивайте продолжительность шумового воздействия.
- Повреждение глаз летящим мусором.
  - Обязательно носите устройства для защиты глаз.
- Опасность падающих предметов
  - Носите защитные головные уборы при наличии риска падающих объектов.

При работе с кусторезом высок риск отскока. Контролируйте инструмент двумя руками, держась за соответствующие ручки. Прочитайте и следуйте инструкциям данного руководства, чтобы снизить риск отскока.

#### СНИЖЕНИЕ РИСКА

Считается, что вибрация ручного инструмента может привести к проявлению у отдельных лиц так называемой болезни Рейно (Raynaud's Syndrome). К симптомам могут относиться покалывание, онемение и побеление пальцев (как при переохлаждении). Считают, что наследственные факторы, охлаждение и влажность, диета, курение и практический опыт способствуют развитию этих симптомов. Ниже приводятся меры, которые может принять оператор для снижения воздействия вибрации:

- Одевайтесь теплее в холодную погоду. При эксплуатации изделия носите перчатки, чтобы сохранить руки и запястья в тепле. Считается, что холодная погода является основным фактором, способствующим возникновению болезни Рейно (Raynaud's Syndrome).
- После каждого этапа работы выполните упражнения для усиления кровообращения.
- Перед запуском инструмента установите его в правильное рабочее положение.
- Сократите длительность ежедневного пребывания на открытом воздухе. Чаще делайте перерывы в работе.

При появлении каких-либо из указанных симптомов сразу же прекратите работу и обратитесь по их поводу к врачу.

#### ▲ ОСТОРОЖНО

Слишком продолжительное использование инструмента может привести к травме. При использовании инструмента в течение длительного времени делайте регулярные перерывы.

## ИЗУЧИТЕ УСТРОЙСТВО

1. Ручка запуска
2. Крышка топливного бака
3. RBC31SBO: Рукотка велосипедного типа
4. RBC31SBO: Вал привода
5. Предохранительный колпак для режущего устройства
6. Отражатель травы
7. Гайка с нейлоновой вставкой
8. Шайба пильного диска
9. Тарельчатая шайба
10. Защитное устройство режущего полотна
11. Режущее полотно Tri-Arc™
12. Корпус верхней катушки с леской
13. Шпилька
14. Ручка
15. Корпус нижней катушки с леской
16. Режущая струна
17. RBC31SBO: Замок дроссельной заслонки
18. RBC31SBO: Курок акселератора
19. Выключатель запала
20. RBC31SBO: Фиксатор дроссельной заслонки
21. Ремешок для подвески
22. RBC31SESO: Нижний вал
23. RBC31SESO: Маховик
24. RBC31SESO: Верхний шток
25. RBC31SESO: Передняя ручка
26. RBC31SESO: Курок акселератора
27. RBC31SESO: Фиксатор дроссельной заслонки

## УСЛОВНЫЕ ОБОЗНАЧЕНИЯ НА ПРОДУКТЕ



Внимание



Внимательно прочитайте все инструкции перед началом работы с продуктом, соблюдайте все предупреждения и инструкции по безопасности.



Носите устройства защиты зрения и слуха, а также защитную каску.



При работе с данным изделием надевайте нескользящую защитную обувь.



Надевайте нескользящие перчатки для работы в тяжелых условиях.



Помните об опасности, которую представляют собой отбрасываемые устройством или вылетающие из-под него предметы. Не допускайте приближения посторонних лиц, особенно детей и домашних животных к рабочей зоне ближе чем на 15 м



Данное изделие не предназначено для использования зазубренного лезвия.



Во избежание телесного повреждения или повреждения оборудования, не допускайте касания с нагретой поверхностью.



Не касайтесь режущих полотен.



Гарантируемый уровень звуковой мощности



Положение вкл



Установите рычажок дросселя в положение "FULL" (Полные обороты). Установите рычажок дросселя в положение "HALF" (Половина оборотов).



Необходимо подождать 10 секунд



ПРОКАЧКА

Нажмите 10 раз кнопку подсоса.



Потяните за трос стартера



Нажмите дроссельный регулятор для запуска.



Заблокируйте дроссель в установленном положении, нажав кнопку фиксатора.



Пользуйтесь автомобильным неэтилированным бензином с октановым числом 91 ((R+M)/2) или выше.



Для двигателей с воздушным охлаждением используйте масло для 2-тактных двигателей.



Перед каждой заправкой тщательно перемешайте топливную смесь.



Запуск холодного двигателя вручную



Запуск теплого двигателя вручную



Запуск холодного двигателя с помощью электрического стартера



Запуск теплого двигателя с помощью электрического стартера



Символ прямого вала: При установке катушки с леской в режущие элементы убедитесь, что данный символ хорошо виден.



Нож Tri-Arc™ подходит к данному изделию и может использоваться для резки мягких деревьев и виноградной лозы



Отскок режущего лезвия может произойти неожиданно.



Направление и максимальная скорость вращения вала для режущего приспособления.



Тянуть  
Защелка быстрого отсоединения



Настоящий инструмент отвечает всем официальным стандартам страны ЕС, в которой он был приобретен.



Знак Евразийского Соответствия

Сертификат Соответствия

№ TC RU C-DE.AE11.B.04150 –

08.10.2020 (RBC31SESO)

RU C-DE.PC52.B.00811 –

04.12.2021(RBC31SBO)

Срок действия Сертификата

Соответствия По 10.08.2020

ООО «Региональный центр оценки соответствия»

123060 г. Москва ул. Маршала Рыбалко дом 2 корпус 9 помещение 638



Украинский знак стандартизации

Следующие сигнальные слова и значения предназначены, чтобы объяснить уровни риска, связанного с этим изделием.

#### **ОПАСНО**

Указывает неизбежно опасную ситуацию, которая, если не избежать, кончится смертельным или серьезным ущербом.

#### **ОСТОРОЖНО**

Указывает потенциально опасную ситуацию, которая, если не избежать, может кончиться смертельным или серьезным ущербом.

#### **ПРЕДОСТЕРЕЖЕНИЕ**

Указывает потенциально опасную ситуацию, которая, если не избежать, может кончиться малым или уменьшенным ущербом.

#### **ПРЕДОСТЕРЕЖЕНИЕ**

Употребляется без предупреждающего знака

Указывает на ситуацию, которая может привести к повреждению имущества.

#### **УСЛОВНЫЕ ОБОЗНАЧЕНИЯ В ДАННОМ РУКОВОДСТВЕ**



Примечание



Осторожно



#### Транспортировка:

Категорически не допускается падение и любые механические воздействия на упаковку при транспортировке.

При разгрузке/погрузке не допускается использование любого вида техники, работающей по принципу зажима упаковки.

#### Хранение:

Необходимо хранить в сухом месте.

Необходимо хранить вдали от источников повышенных температур и воздействия солнечных лучей.

При хранении необходимо избегать резкого перепада температур.

Хранение без упаковки не допускается.

#### Срок службы изделия:

Срок службы изделия составляет 5 лет.

Не рекомендуется к эксплуатации по истечении 5 лет хранения с даты изготовления без предварительной проверки.

**Дата изготовления** (код даты) отштампован на поверхности корпуса изделия.

Пример:

W17 Y2015, где Y2015 - год изготовления

W17 – неделя изготовления

Определить месяц изготовления можно согласно приведенной ниже таблице, на примере 2015 года.

**Обратите внимание!** Количество недель в месяце различается от года в год.

Месяц	Январь	Февраль	Март	Апрель	Май	Июнь	Июль	Август	Сентябрь	Октябрь	Ноябрь	Декабрь	Год
Неделя	01	05	09	14	18	22	27	31	36	40	44	49	2015
	02	06	10	15	19	23	28	32	37	41	45	50	
	03	07	11	16	20	24	29	33	38	42	46	51	
	04	08	12	17	21	25	30	34	39	43	47	52	
	05	09	13	18	22	26	31	35	40	44	48	53	
		14			27								

EN  
FR  
DE  
ES  
IT  
NL  
PT  
DA  
SV  
FI  
NO  
**RU**  
PL  
CS  
HU  
RO  
LV  
LT  
ET  
HR  
SK  
BG  
UK  
TR

Najwyższymi priorytetami w trakcie projektowania zakupionej przez Państwa przycinarki do krzewów/trawy były bezpieczeństwo, wydajność i niezawodność.

### PRZEZNACZENIE

Opisywana przycinarka do krzewów/trawy przeznaczona jest do stosowania wyłącznie przez osoby dorosłe, które zapoznaly się z instrukcjami i ostrzeżeniami zawartymi w niniejszym dokumencie oraz zrozumialy je, a także mogą być uważane za odpowiedzialne za swoje postępowanie. Produkt jest przeznaczony do użytku wyłącznie na zewnątrz pomieszczeń w dobrze wentylowanym miejscu. Ze względów bezpieczeństwa produkt należy obsługiwać dwiema rękami.

Wyposażony w głowicę przycinarki do trawy (wraz z odpowiednią osłoną) produkt przeznaczony jest do koszenia długiej trawy, niezdrewniałych chwastów oraz podobnej roślinności przy gruncie. Po założeniu noża Tri-Arc™ (wraz z odpowiednią osłoną) narzędzie można wykorzystywać również do przycinania krzewów. W produkcie nie należy montować tarczy do pilarki.

Płaszczyzna cięcia powinna być jak najbardziej równoległa do powierzchni gruntu. Urządzenia nie należy używać do docinania żywopłotów, krzewów lub innych roślin w przypadkach, gdy płaszczyzna koszenia nie jest równoległa do płaszczyzny gruntu.

Nie używać do żadnych innych celów.

### ⚠ OSTRZEŻENIE

Aby zmniejszyć ryzyko zranienia, użytkownik musi przeczytać i zrozumieć podręcznik obsługi.

### ⚠ OSTRZEŻENIE

Nie podejmować prób pracy z produktem bez wcześniejszego dokładnego zapoznania się (ze zrozumieniem) z wszystkimi instrukcjami oraz zasadami bezpieczeństwa podanymi w niniejszej instrukcji. W przeciwnym razie może dojść do wypadku obejmującego porażenie prądem, pożar oraz/lub poważne obrażenia ciała. Podręcznik należy przechowywać i okresowo przeglądać, zapewniając bezpieczeństwo obsługi urządzenia i instruując inne osoby, które mogą to urządzenie obsługiwać.

### ⚠ OSTRZEŻENIE

Produkt ten nie jest przeznaczony do użytkowania przez dzieci lub osoby o ograniczonych zdolnościach fizycznych, umysłowych lub sensorycznych. Należy dopilnować, aby dzieci nie bawiły się produktem.

### OGÓLNE OSTRZEŻENIA DOTYCZĄCE BEZPIECZEŃSTWA

■ Aby zapewnić bezpieczną obsługę produktu, należy przeczytać i zrozumieć wszystkie instrukcje. Należy przestrzegać wszystkich zaleceń dotyczących bezpieczeństwa. Nie zastosowanie się do któregoś z wymogów bezpieczeństwa może spowodować ciężkie

obrażenia ciała.

- W niektórych regionach obowiązują przepisy ograniczające używanie produktu. Informacje na ten temat można uzyskać w lokalnych urzędach.
- Nie wolno zezwalać dzieciom ani osobom bez odpowiedniego przeszkolenia na korzystanie z tego urządzenia.
- Nie wolno uruchamiać silnika w zamkniętych ani słabo wentylowanych pomieszczeniach; wdychanie spalin zagraża życiu.
- Oczyszczyć miejsce pracy każdorazowo przed rozpoczęciem pracy. Usunąć wszystkie przedmioty, które mogą uwięznąć w głowicy żytki lub na nożu, bądź też zostać przez nie wyrzucone.
- Należy nosić pełne zabezpieczenie oczu i uszu podczas obsługi produktu. W przypadku pracy w miejscu, gdzie występuje ryzyko spadających przedmiotów, należy nosić kask.
- Środki ochrony słuchu mogą ograniczać zdolność operatora do usłyszenia dźwięków ostrzegawczych. Należy zwracać szczególną uwagę na potencjalne zagrożenia na obszarze pracy.
- Założyć grube, długie spodnie, antypoślizgowe obuwie ochronne i rękawice. Nie należy nosić luźnego ubrania, krótkich spodenek, biżuterii oraz nie chodzić boso.
- Długie włosy należy zabezpieczyć w taki sposób, aby znajdowały się powyżej poziomu ramion, co pozwoli uniknąć ryzyka ich zaplątania w ruchome elementy urządzenia.
- Trzymać osoby postronne, dzieci i zwierzęta w odległości przynajmniej 15 od miejsca pracy. Jeśli na obszarze znajduje się inna osoba, należy zatrzymać produkt.
- Nie obsługiwać tego urządzenia w stanie zmęczenia, choroby, będąc pod wpływem alkoholu, środków odurzających lub lekarstw.
- Nie pracować w słabym oświetleniu. Operator wymaga nieograniczonego widoku w celu zidentyfikowania potencjalnych zagrożeń.
- Należy cały czas pewnie opierać stopy i utrzymywać równowagę. Nie sięgać zbyt daleko. Sięganie zbyt daleko grozi utratą równowagi i narażeniem na kontakt z gorącymi powierzchniami.
- Wszystkie kończyny należy trzymać z dala od ruchomych elementów urządzenia.
- Nie dotykać powierzchni wokół tłumika lub cylindra produktu, ponieważ części te bardzo się nagrzewają w trakcie pracy.
- Przed przystąpieniem do regulacji narzędzia należy zawsze zatrzymać silnik i poczekać, aż ostygnie.
- Nie palić tytoniu podczas mieszania paliwa i tankowania.
- Paliwo należy mieszać i przechowywać w pojemniku do tego przeznaczonym.
- Paliwo mieszać tylko na wolnym powietrzu, z dala od wszelkich iskier czy płomienia. Wytrzeć natychmiast rozchłapane paliwo. Przed uruchomieniem silnika należy oddalić się przynajmniej 9 metrów od miejsca tankowania.

- Przed uzupełnieniem paliwa zatrzymać silnik i pozostawić do ostygnięcia.
- Aby przetransportować urządzenie w pojeździe, należy odczekać, aż silnik ostygnie, opróżnić zbiornik paliwa i zabezpieczyć urządzenie przed poruszaniem się.
- Zawsze należy wyłączyć silnik i upewnić się, że wszystkie ruchome części zatrzymały się.
  - serwisowanie
  - pozostawianie produktu bez nadzoru
  - czyszczenie produktu
  - wymiana akcesoriów
  - usuwaniem zatorów
  - kontrola uszkodzeń po uderzeniu obiektu
  - kontrola uszkodzeń w przypadku, gdy produkt wpada w nietypowe drgania
  - konserwacja
  - Demontaż noża
  - Montaż noża

#### **⚠ OSTRZEŻENIE**

Nigdy nie należy stosować metod cięcia lub rodzajów osprzętu tnącego, które nie zostały wyszczególnione przez firmę Ryobi w niniejszej instrukcji. Dotyczy to również stosowania metalowych łańcuchów obrotowych i zamocowanych luźno ostrzy. Wiadomo, że tego rodzaju osprzęt często pęka w trakcie użytkowania, co stwarza wysokie ryzyko poważnego urazu u operatora oraz osób przebywających w pobliżu.

#### **⚠ OSTRZEŻENIE**

Sprawdzenie po upuszczeniu lub innych uderzeniach  
Należy dokładnie sprawdzić produkt w celu stwierdzenia wszelkich uszkodzeń. Każdą uszkodzoną część należy odpowiednio naprawić lub wymienić w autoryzowanym punkcie serwisowym.

#### **OSTRZEŻENIA DOTYCZĄCE BEZPIECZEŃSTWA**

- Wymień głowicę żyłkową, jeśli jest pęknięta, wyszczerbiona lub uszkodzona w inny sposób. Należy upewnić się, że głowica żyłki jest należycie zamontowana i dokładnie zamocowana. W przeciwnym wypadku może dojść do poważnego zranienia.
- Unikaj używania urządzenia do mokrej trawy.
- Podczas używania produktu nie należy chodzić do tyłu.
- Podczas pracy należy chodzić, nie wolno biegać.
- Mały nóż zamontowany na osłonie końcówki tnącej służy do przycinania nowo wysuniętej żyłki na prawidłową długość w celu zapewnienia bezpiecznego i optymalnego funkcjonowania. Jest ostry, nie należy go dotykać, szczególnie podczas czyszczenia produktu.
- Otwory wentylacyjne należy utrzymywać w stanie wolnym od zanieczyszczeń.
- Przed użyciem oraz po jakimkolwiek uderzeniu należy sprawdzić, czy żadna część nie jest uszkodzona. Należy sprawdzić ostrze tnące pod kątem oznak pęknięcia lub innych uszkodzeń. Uszkodzony przełącznik lub dowolny inny element należy odpowiednio naprawić lub wymienić w autoryzowanym punkcie serwisowym.
- Należy upewnić się, że głowica jest prawidłowo zainstalowana i dobrze zamocowana.
- Upewnić się, czy wszystkie osłony, owiewki, uchwyty, śruby i mocowania są prawidłowo i bezpiecznie przymocowane.
- Nie modyfikować produktu w jakikolwiek sposób. Może to skutkować zwiększeniem ryzyka obrażeń ciała użytkownika i innych osób.
- W głowicy tnącej stosować wyłącznie żyłkę oferowaną przez producenta urządzenia. Nie używaj żadnych innych akcesoriów tnących.
- Nigdy nie należy używać narzędzia bez założonej i znajdującej się w dobrym stanie osłony końcówki tnącej.
- Podczas przycinania mocno trzymać oba uchwyty. Głowicę przycinarki trzymać poniżej poziomu talii. Nigdy nie należy ciąć, gdy głowica żyłkowa znajduje się 76 cm lub wyżej nad ziemią.

#### **OSTRZEŻENIA DOTYCZĄCE BEZPIECZEŃSTWA**

- Oprócz powyższych zasad w trakcie używania produktu jako przycinarki do żywopłotu obowiązują poniższe dodatkowe zalecenia.
- W trakcie zakładania i zdejmowania noży/tarcz należy nosić wytrzymałe rękawice, ponieważ mają one ostre krawędzie.
- Nie wolno próbować dotykać ani zatrzymywać obracającego się ostrza.
- Kontakt z nożem/tarczą w ruchu może spowodować poważny uraz. Należy utrzymywać odpowiednią kontrolę nad narzędziem, trzymając je obydwiema rękami do momentu całkowitego wyhamowaniu obrotów noża/tarczy.
- Uszkodzone ostrze należy niezwłocznie wymienić. Przed każdym użyciem należy upewnić się, że ostrze jest prawidłowo założone i bezpiecznie zamocowane.
- Należy stosować wyłącznie zamienne ostrze Tri-Arc™ producenta. Nie używaj żadnych innych akcesoriów tnących.
- Nigdy nie ciąć materiału o średnicy większej niż 13 mm.
- Przycinarka do żywopłotu wyposażona jest w uprząż. Starannie dopasować uprząż, aby umożliwiła wygodne oparcie masy produktu na prawym boku użytkownika.
- Należy sprawdzić, w jaki sposób należy obsługiwać mechanizm szybkiego zwalniania i przeciwczyć używanie go przed uruchomieniem maszyny. Prawidłowe użycie może zapobiec poważnym obrażeniom ciała w razie nagłej sytuacji. Nigdy nie należy zakładać dodatkowej odzieży na uprząż, ponieważ spowodowałoby to ograniczenie dostępu do mechanizmu szybkiego zwalniania.
- Do przechowywania lub transportu na ostrze należy zakładać osłonę. Przed uruchomieniem urządzenia należy zdjąć osłonę ostrza. Jeśli nie zostanie zdjęta, osłona ostrza może zostać odrzucona z dużą siłą gdy

EN  
FR  
DE  
ES  
IT  
NL  
PT  
DA  
SV  
FI  
NO  
RU  
**PL**  
CS  
HU  
RO  
LV  
LT  
ET  
HR  
SL  
SK  
BG  
UK  
TR

ostrze zacznie pracować.

- Zachowaj szczególną ostrożność w przypadku używania produktu z ostrzem. Jeśli obracające się ostrze zetknie się z przedmiotem, którego nie może przeciąć, może dojść do odskoczenia ostrza. Takie zetknięcie może spowodować całkowite zablokowanie ostrza i następnie gwałtowne „odrzućcie” kosiarki. Reakcja może być na tyle gwałtowna, że grozi utratą kontroli nad urządzeniem. Zjawisko odrzutu może wystąpić bez ostrzeżenia w przypadku ześliznięcia się, zablokowania, lub zakleszczenia ostrza. Prawdopodobieństwo takiego zdarzenia wzrasta, gdy cięty materiał nie jest dobrze widoczny.
- Ze względu na wygodę i bezpieczeństwo cięcia do ciętej trawy należy zbliżyć się od prawej do lewej strony. W przypadku kontaktu z nieoczekiwanym obiektem lub zdrewniałymi łodygami może go zminimalizować zjawisko odskoczenia ostrza. Do obsługi tego urządzenia należy przez cały czas używać obydwu rąk.

## MONTAŻ

### ROZPAKOWYWANIE

*Patrz str. 181 - 182.*

Urządzenie wymaga złożenia.

- Wyjąć ostrożnie urządzenie i akcesoria z opakowania. Sprawdzić, czy opakowanie zawiera wszystkie wyszczególnione elementy.
- Sprawdzić dokładnie, czy urządzenie nie zostało uszkodzone podczas transportu.

## ⚠ OSTRZEŻENIE

W przypadku uszkodzenia lub braku dowolnego podzespołu urządzenia, nie wolno go używać aż do wymiany podzespołu. W przeciwnym wypadku może dojść do poważnych obrażeń.

### REGULACJA ZACZEPU PASKA

*Patrz str. 185/189.*

Wyregulować pasek tak, by produkt znalazł się w dogodnym i zrównoważonym położeniu — żyłka, tarcza lub nóż powinny być zawieszony na wysokości od 100 do 300 mm nad powierzchnią gruntu.

### UŻYWANIE UPRZĘŻY

*Patrz str. 185/189.*

**OBJAŚNIENIE:** Zawsze stosować produkt z uprzężą.

**OBJAŚNIENIE:** Aby szybko odłączyć produkt od uprzęży, mocno szarpnąć za wypustkę do szybkiego rozłączania.

### UŻYWANIE GŁOWICY DO PRZYCINANIA TRAWY REELEASY™ I NOŻA TRI-ARC™

- W przypadku stosowania głowicy do przycinania trawy ReelEasy™ przegroda kierująca ścinki trawy musi być przymocowana do osłony noża. (*Patrz str. 203*).
- Podczas używania ostrza Tri-Arc™ deflektor trawy musi być odłączony od osłony ostrza. (*Patrz str. 202*).

## ⚠ OSTRZEŻENIE

Przed uruchomieniem silnika zawsze demontować przetyczkę blokującą wał zębaty (*patrz strona 185, krok 4*)

## SPOSÓB UŻYCIA

### PALIWO I TANKOWANIE

*Patrz str. 184.*

- Zachować ostrożność podczas wykonywania czynności związanych z paliwem, jest ono wysoce łatwopalne.
- Urządzenie to jest napędzane silnikiem dwusuwowym i dlatego wymaga odpowiedniego sporządzenia mieszanki benzyny z olejem do silników dwusuwowych. Zmieszajcie benzynę bezołowiową z olejem do silników 2-suwowych w czystym zbiorniku zatwierdzonym do przechowywania benzyny.
- Silnik ten działa na benzynę bezołowiową do pojazdów o liczbie oktanowej 91 ((R + M)/2) lub wyższej.
- Nie używajcie gotowych mieszanek paliwowych oleju/z benzyną sprzedawanych na stacjach benzynowych.
- Stosować jedynie olej syntetyczny przeznaczony do silników 2-suwowych. Nie stosować zwykłych olejów silnikowych lub olejów do silników dwusuwowych pozaburtowych.
- Wymieszaj z benzyną 2% oleju syntetycznego do silników dwusuwowych. Czyli stosunek 50 :1.
- Wymieszajcie dobrze paliwo przed każdym tankowaniem.
- Mieszankę należy sporządzać w małych ilościach. Nie przygotowujcie więcej niż odpowiednik zużycia na miesiąc. Zalecamy państwu również stosowanie oleju syntetycznego do silników 2-suwowych zawierających stabilizator paliwa.

### TANKOWANIE

- Aby niedopuszczyć do zanieczyszczenia paliwa, należy oczyścić powierzchnię zbiornika wokół korka wlewu paliwa.
- Korek wlewu paliwa należy luzować powoli w celu stopniowego wyrównania ciśnień i niedopuszczenia do rozlania paliwa wokół korka.
- Mieszankę paliwową należy wlewać ostrożnie do zbiornika. Unikając rozlania jej.
- Przed dokręceniem korka paliwa należy oczyścić i sprawdzić jego uszczelkę.
- Natychmiast po tankowaniu należy założyć korek wlewu paliwa i dokręcić go mocno. Wytrzeć natychmiast rozchlapane paliwo. Przed uruchomieniem silnika należy oddalić się od miejsca uzupełniania paliwa na 9 m (30 stóp).

### URUCHAMIANIE SILNIKA ZA POMOCĄ ROZRUSZNIKA ELEKTRYCZNEGO (OPCJONALNY):

*Patrz str. 196-201.*

### ⚠ OSTRZEŻENIE

Stosować wyłącznie rozrusznik elektryczny Ryobi OES18. Stosowanie jakiegokolwiek innego rozrusznika może spowodować uszkodzenie silnika i poważne obrażenia.

### ⚠ OSTRZEŻENIE

Przed przystąpieniem do użycia rozrusznika elektrycznego w celu rozruchu narzędzia należy zapoznać się (ze zrozumieniem) z instrukcją obsługi rozrusznika elektrycznego OES18, aby uniknąć niewłaściwego działania oraz obrażeń.

- Przytrzymać trzpień izolowany lewą dłonią, a prawą dłonią umieścić trzpień łącznika rozrusznika w otworze na trzpień w obudowie silnika. W przeciwnym przypadku silnik nie uruchomi się.
- Upewnić się, że element pośredniczący jest odpowiednio załączony.

**OBJAŚNIENIE:** Silnik elektryczny wyposażony jest w blokadę bezpieczeństwa. Nie naciskać i nie przytrzymywać przycisku przełącznika w trakcie wkładania wałka rozrusznika elektrycznego w otwór w obudowie silnika. Rozrusznik nie będzie się obracać, jeśli rozrusznik elektryczny nie będzie prawidłowo załączony.

### OBŚLUGA PRZYCINARKI DO TRAWY

*Patrz str. 189.*

**RBC31SESO:** Przytrzymać produkt, umieszczając prawą dłoń na tylnym uchwycie, a lewą na przednim.

**RBC31SBO:** Przytrzymaj urządzenie prawą ręką na uchwycie spustu, a lewą ręką chwyc lewy uchwyt.

- Podczas pracy utrzymywać pewny chwyt obiema rękami.
- Urządzenie należy trzymać w wygodnej pozycji, tak aby uchwyt ze spustem znajdował się na wysokości biodra.
- Produkt zawsze powinien pracować przy pełnym otwarciu przepustnicy. Długotrwałe cięcie przy częściowym otwarciu przepustnicy spowoduje kapanie smaru z tłumika.
- Wysoką trawę należy ciąć od góry, aby uniknąć zawiązania się trawy wokół obudowy wałka i głowicy żyłkowej, co może spowodować uszkodzenie na skutek przegrzania.
- Jeżeli na zespół tnący nawiną się ścinki trawy lub inne pozostałości, zatrzymać silnik. Założyć wytrzymałe rękawice, aby zapobiec obrażeniom spowodowanym przez ostrza, i ostrożnie usunąć owinięte pozostałości.
- Nie wpychać narzędzia w przeznaczoną do cięcia trawę. Przemieszczać narzędzie na boki. Po każdym ruchu w bok przechodzić o niewielką odległość w przód.
- Pochylać urządzenie w stronę koszonego obszaru.
- Nie wpychać tego urządzenia w warunkach niebezpiecznych.
- Użyć końcówki żyłki do cięcia – nie dociskaj głowicy żyłkowej do nieskoszonej trawy.
- Ogrodzenie siatkowe i palikowe powoduje bardzo

szybkie zużycie żyłki, a nawet jej rozerwanie. Ściany z kamienia i cegły, krawężniki oraz drewno mogą przyspieszyć zużycie żyłki.

- Unikaj drzew i krzewów. Kora drzew, drewno profilowane, okładziny i słupki ogrodzeniowe mogą ulec uszkodzeniu na skutek kontaktu z żyłką.

### OBŚLUGA WYKASZARKI

*Patrz str. 192.*

Aby ograniczyć ryzyko odrzutu: Nie wpychać narzędzia w przeznaczony do cięcia materiał. Przemieszczać narzędzie ze strony prawej na lewą stabilnym ruchem. Na początku każdego nowego ruchu w bok przechodzić o niewielką odległość w przód.

**RBC31SESO:** Przytrzymać produkt, umieszczając prawą dłoń na tylnym uchwycie, a lewą na przednim.

**RBC31SBO:** Przytrzymaj urządzenie prawą ręką na uchwycie spustu, a lewą ręką chwyc lewy uchwyt.

- Urządzenie należy trzymać w wygodnej pozycji, tak aby uchwyt ze spustem znajdował się na wysokości biodra.
- Utrzymywać dobry chwyt i równowagę na obu stopach. Ustawić się tak, aby nie stracić równowagi w przypadku odbicia ostrza.
- Ustawić zaczep uprząży w najbardziej wygodnym położeniu.
- Zachowaj szczególną ostrożność w przypadku używania produktu z ostrzem. Jeśli obracające się ostrze zetknie się z przedmiotem, którego nie może przeciąć, może dojść do odskoczenia ostrza. Takie zetknięcie może spowodować całkowite zablokowanie ostrza i następnie gwałtowne „odrzućnię” kosiarki. Reakcja może być na tyle gwałtowna, że grozi utratą kontroli nad urządzeniem. Zjawisko odrzutu może wystąpić bez ostrzeżenia w przypadku ześlizgnięcia się, zablokowania, lub zakleszczenia ostrza. Prawdopodobieństwo takiego zdarzenia wzrasta, gdy cięty materiał nie jest dobrze widoczny. Ze względu na wygodę i bezpieczeństwo cięcia do ciętej trawy należy zbliżać się od prawej do lewej strony. **W przypadku kontaktu z nieoczekiwanym obiektem lub zdrewniałymi łodygami może go zminimalizować zjawisko odskoczenia ostrza.**

### TRANSPORT I PRZECHOWYWANIE

- Przed schowaniem lub transportem produktu należy zatrzymać go i odczekać, aż ostygnie.
- Usunąć z produktu wszelkie zanieczyszczenia.
- Jeżeli zamontowano nóż, osłonić go ochraniaczem.
- Spuścić całe pozostałe paliwo ze zbiornika do pojemnika zatwierdzonego dla benzyny. Należy pamiętać o ponownym założeniu i dokręceniu korka wlewu paliwa.
- Uruchomić silnik i odczekać aż sam zgaśnie. Pozwoli to na usunięcie całości paliwa, które mogłyby utracić świeżość, co mogłoby skutkować powstaniem osadu w układzie paliwowym.
- Należy przechowywać urządzenie w chłodnym, suchym i dobrze wentylowanym miejscu, które jest niedostępne dla dzieci. Nie chowajcie jej w pobliżu czynników

EN  
FR  
DE  
ES  
IT  
NL  
PT  
DA  
SV  
FI  
NO  
RU  
PL  
CS  
HU  
RO  
LV  
LT  
ET  
HR  
SL  
SK  
BG  
UK  
TR

żących, takich jak ogrodowe produkty chemiczne czy sole odmrażające. Nie przechowywać na zewnątrz.

- W przypadku transportu produktu należy zabezpieczyć go przed przemieszczaniem się lub upadkiem, aby nie dopuścić do obrażeń ciała lub uszkodzenia urządzenia.
- Nie wolno przenosić ani transportować uruchomionego produktu.
- Odnieście się do przepisów krajowych i lokalnych w zakresie magazynowania i manipulowania paliwa. Można użyć pozostałe paliwo do innego narzędzia z silnikiem dwusuwowym.

#### KRÓTKOTERMINOWO

- Przed schowaniem zatrzymać silnik i poczekać, aż ostygnie.
- Usunąć z produktu wszelkie zanieczyszczenia.
- Należy przechowywać urządzenie w chłodnym, suchym i dobrze wentylowanym miejscu, które jest niedostępne dla dzieci.
- Nie chowajcie jej w pobliżu czynników żrących, takich jak ogrodowe produkty chemiczne czy sole odmrażające.
- Nie przechowywać na zewnątrz.

#### KONSERWACJA

##### ⚠ OSTRZEŻENIE

Należy stosować wyłącznie oryginalne części zamienne, akcesoria oraz przystawki producenta. W przeciwnym razie może dojść do obrażeń ciała, niskiej wydajności oraz do unieważnienia gwarancji.

##### ⚠ OSTRZEŻENIE

Przyrząd tnący nie może obracać się w trybie biegu jałowego. Jeśli ten warunek nie zostanie spełniony, należy wyregulować sprzęgło lub maszyna potrzebuje pilnej konserwacji przez wykwalifikowanego mechanika.

##### ⚠ OSTRZEŻENIE

Nieszczelny korek wlewu paliwa stanowi zagrożenie pożarem i musi być niezwłocznie wymieniony.

##### ⚠ OSTRZEŻENIE

Należy zauważyć, że nóż mocowany jest nakrętką z wkładem nylonowym, przeznaczoną do stosowania wyłącznie jednorazowego. Nie używać nakrętki z wkładem nylonowym ponownie. W trakcie montażu/demontażu założyć nową nakrętkę z wkładem nylonowym. Nie zastosowanie się do któregoś z wymogów bezpieczeństwa może spowodować ciężkie obrażenia ciała.

##### ⚠ OSTRZEŻENIE

W trakcie montażu noża należy upewnić się, że moment obrotowy dokręcania nakrętki wynosi co najmniej 25 Nm. Nie zastosowanie się do któregoś z wymogów bezpieczeństwa może spowodować ciężkie obrażenia ciała. (patrz strona 202, krok 4)

- Zawsze przed przeprowadzeniem wszelkich prac konserwacyjnych należy wyłączyć silnik i odczekać aż ostygnie.
- Możesz wykonywać czynności regulacyjne i naprawcze opisane w tej instrukcji obsługi. W przypadku innych napraw konieczne będzie oddanie urządzenia do autoryzowanego serwisu.
- Konsekwencje nieprawidłowej konserwacji mogą obejmować nadmiar nagaru, który wpływa na spadek wydajności oraz kapanie czarnej oleistej cieczy z tłumika.
- Do wymiany należy stosować wyłącznie nylonowej ciągłej żyłki o średnicy podanej w tabeli specyfikacji w tej instrukcji.
- Po wyciągnięciu nowej żyłki tnącej, zawsze przed włączeniem urządzenia należy ustawić je w normalnym położeniu roboczym. Po każdym użyciu należy wyczyścić produkt miękką, suchą szmatką.
- Upewnij się, że wszystkie osłony, pasy, deflektory i uchwyty są prawidłowo i bezpiecznie przymocowane, aby uniknąć ryzyka obrażeń ciała.

#### HARMONOGRAM KONSERWACJI

Sprawdzić, czy element złączny jest dokładnie zamocowany	Przed każdym użyciem
Sprawdzić: Przyrząd tnący nie może obracać się w trybie biegu jałowego. <sup>2</sup>	Przed każdym użyciem
Sprawdzić przewód paliwowy	Przed każdym użyciem
Sprawdzić wszystkie podłączenia wężyków	Przed każdym użyciem
Wyczyścić zbiornik i filtr paliwa <sup>1</sup>	Co 3 miesiące lub 50 maszynogodzin
Wymienić filtr paliwa <sup>1</sup>	Co roku lub po 300 maszynogodzinach
Sprawdzić korek wlewu paliwa lub odpowietrznik do odprowadzania oparów paliwa ze zbiornika (jeśli występuje) pod kątem braku wycieków	Przed każdym użyciem
Wyczyścić filtr powietrza.	Co 25 godzin
Wymienić filtr powietrza	Co roku lub po 300 maszynogodzinach

Oczyszczyć lub wyregulować świecę zapłonową	Co 6 miesiące lub 100 maszynogodzin
Wymienić filtr paliwa	Co roku lub po 300 maszynogodzinach
Oczyszczyć chwytacz iskier	Co 25 godzin
W razie potrzeby wymienić odiskiernik.	Co roku lub po 300 maszynogodzinach
Czyszczenie otworu wyrzutowego spalin i tłumika	Co 25 godzin

1 Te czynności powinny być wykonywane wyłącznie przez autoryzowane centrum serwisowe.

2 Jeśli ten wymóg nie jest spełniony, skontaktować się z autoryzowanym serwisem w celu zlecenia naprawy lub regulacji.

#### RYZYKO ZWIĄZANE Z UŻYTKOWANIEM:

Nawet jeśli produkt jest używany zgodnie z zaleceniami, nadal nie jest możliwe wyeliminowanie określonych czynników ryzyka. Następujące zagrożenia mogą wystąpić podczas używania urządzenia i operator powinien zwracać szczególną uwagę na poniższe punkty:

- Kontakt z ostrzem.
  - Oslony ostrzy muszą być zamontowane, kiedy produkt nie jest używany. Nigdy nie zbliżać rąk i nóg w pobliże ostrzy.
- Urazy ciała spowodowane przez wibracje.
  - Zawsze należy używać do określonego zadania odpowiednich narzędzi, korzystać z przeznaczonych do tego uchwytów i stosować się do zaleceń dotyczących czasu pracy i narażenia.
- Uszkodzenie słuchu spowodowane narażeniem na hałas.
  - Należy nosić środki ochrony uszu oraz ograniczyć poziom narażenia.
- Występuje ryzyko spowodowane odrzucanymi obiektami.
  - Stosować przez cały czas środki ochrony oczu.
- Należy uważać na spadające obiekty
  - Jeżeli występuje ryzyko spadających przedmiotów, należy stosować środki chroniące głowę.

W trakcie używania przycinki do krzewów może dojść do odrzutu urządzenia. Należy zapewnić odpowiednią kontrolę nad narzędziem, trzymając wyznaczone uchwyty obydwoma dłońmi. Należy zapoznać się ze wskazówkami zamieszczonymi w niniejszej instrukcji i stosować się do nich, aby ograniczyć ryzyko odrzutu.

#### OGRANICZENIE RYZYKA

Badania dowodzą, że wibracje powodowane przez narzędzia ręczne mogą wywoływać u niektórych osób objawy syndromu Raynauda. Typowe objawy to mrowienie, drętwienie i blednienie palców, widoczne zwykle po wystawieniu na działanie zimna. Uważa się, że czynniki dziedziczne, wystawienie na działanie zimna i wilgoci, dieta, palenie papierosów i przyjęte zwyczaje przyczyniają się do rozwoju tych objawów. Istnieją środki zaradcze,

które może podjąć operator narzędzia, aby zmniejszyć efekt wibracji:

- Zadbaj o niskich temperaturach o ciepłą własnego ciała, zakładając odpowiednie ubranie. Podczas obsługi produktu należy nosić rękawice, aby dłonie i nadgarstki były ciepłe. Wiadomo, że niskie temperatury są główną przyczyną powstawania objawu Raynauda.
- Podczas przerw w pracy należy wykonywać ćwiczenia poprawiające krążenie krwi..
- Przed uruchomieniem urządzenia należy sprawdzić, czy jest ono właściwie ustawione w położeniu roboczym.
- Ograniczyć ekspozycję w ciągu dnia. Podczas pracy robić częste przerwy.

W razie doświadczenia dowolnego z wymienionych objawów, należy niezwłocznie zaprzestać użytkowania tego urządzenia i skontaktować się z lekarzem.

#### ⚠ OSTRZEŻENIE

Długotrwale użytkowanie narzędzia może spowodować obrażenia ciała lub nasilić dolegliwości zdrowotne. W przypadku używania narzędzia przed dłuższy czas należy pamiętać o regularnych przerwach.

#### ZAPOZNAJ SIĘ ZE SWOIM PRODUKTEM

1. Uchwyt rozrusznika
2. Korek paliwa
3. RBC31SBO: Uchwyt rowerowy
4. RBC31SBO: Wał napędowy
5. Oslona ostrza
6. Deflektor trawy
7. Nakrętka nylonowa
8. Podkładka noża/tarcza
9. Wydrążona podkładka
10. Ochraniać ostrza
11. Ostrze Tri-Arc™
12. Górna część obudowy głowicy żyłki
13. Szpula
14. Kopułka do zwalniania żyłki
15. Dolna część obudowy głowicy żyłki
16. Linia cięcia
17. RBC31SBO: Blokada przepustnicy
18. RBC31SBO: Spust przepustnicy
19. Przełącznik zapłonu
20. RBC31SBO: Przepustnica zablokowana
21. Wieszak paska
22. RBC31SESO: Dolny wałek
23. RBC31SESO: Śruba zaciskowa
24. RBC31SESO: Górny wał
25. RBC31SESO: Przedni uchwyt
26. RBC31SESO: Spust przepustnicy
27. RBC31SESO: Przepustnica zablokowana

#### SYMBOLE PRODUKTU



Alarm bezpieczeństwa

EN  
FR  
DE  
ES  
IT  
NL  
PT  
DA  
SV  
FI  
NO  
RU  
**PL**  
CS  
HU  
RO  
LV  
LT  
ET  
HR  
SL  
SK  
BG  
UK  
TR



Należy przeczytać i zrozumieć wszystkie instrukcje przed rozpoczęciem obsługi produktu oraz przestrzegać wszystkich ostrzeżeń i instrukcji dotyczących bezpieczeństwa.



Stosować środki ochrony oczu, uszu i głowy.



Podczas korzystania z tego produktu należy zakładać wysokie, antypoślizgowe obuwie ochronne.



Zakładać antypoślizgowe, grube rękawice ochronne.



Uwaga na odrzucane przedmioty. Wszystkie osoby postronne, a szczególnie dzieci i zwierzęta, muszą znajdować się w odległości przynajmniej 15 metrów od miejsca pracy.



Produkt nie jest przeznaczony do zakładania tarcz zębatach.



Aby zmniejszyć ryzyko zranienia lub uszkodzenia, należy unikać kontaktu z gorącymi powierzchniami.



Nie zbliżać rąk do ostrzy.



Maksymalny poziom natężenia hałasu



W pozycji "działania"



Ustaw dźwignię ssania w położeniu „FULL”.



Ustaw dźwignię ssania w położeniu „HALF”.



Czas oczekiwania 10 sekund



**ZALEWANIE**  
Naciśnij pompkę ręczną paliwa 10 razy.



Pociągnąć linkę rozrusznika



Ściśnij spust przepustnicy, aby uruchomić/obsługiwać urządzenie.



Zablokować przepustnicę naciskając przycisk blokady przepustnicy.



Stosować benzynę bezołowiową do pojazdów samochodowych o liczbie oktanowej 91 ((R + M)/2) lub wyższej.



Stosować olej smarujący do silników dwusuwowych chłodzonych powietrzem.



Wymieszać dokładnie mieszankę paliwową oraz każdorazowo przed uzupełnieniem paliwa.



Uruchamianie zimnego silnika ręcznie



Uruchamianie ciepłego silnika ręcznie



Uruchamianie zimnego silnika rozrusznikiem elektrycznym:



Uruchamianie ciepłego silnika rozrusznikiem elektrycznym:



Symbol prostego trzpienia: W trakcie montowania szpuli żyłki na osprzęcie tnącym ten symbol powinien być widoczny dla operatora.



Nóż Tri-Arc™ może być stosowany z tym produktem i nadaje się do cięcia niezdrzewiałych chwastów oraz winorośli.



Zwracać uwagę na ciąg tarczy tnącej



Kierunek obrotów i maksymalna prędkość obrotowa wału napędowego przystawki tnącej.



Ciągnięcie  
Wypust szybkozłącza



Narzędzie to spełnia wymogi wszystkich norm regulacyjnych kraju UE, w którym było ono zakupione.



Znak zgodności EurAsian



Ukraiński znak zgodności

Poniższe symbole i nazwy które im nadano, pozwalają wyjaśnić różne poziomy ryzyka związanego z użytkowaniem tego narzędzia.

#### **⚠ NIEBEZPIECZEŃSTWO**

Wskazuje na realne zagrożenie, które może spowodować śmierć lub poważne zranienie, jeżeli się nie uniknie tego niebezpieczeństwa.

#### **⚠ OSTRZEŻENIE**

Wskazuje na potencjalne zagrożenie, które może spowodować mniejsze lub bardziej poważne zranienie, jeżeli się nie uniknie tego niebezpieczeństwa.

#### **⚠ UWAGA**

Wskazuje na potencjalne zagrożenie, które może spowodować mniejsze lub bardziej poważne zranienie, jeżeli się nie uniknie tego niebezpieczeństwa.

#### **UWAGA**

Bez symbolu ostrzeżenia  
Sytuacja, która może grozić uszkodzeniem mienia.



## SYMBOLE W TYM PODRĘCZNIKU



Objaśnienie



Ostrzeżenie!

EN  
FR  
DE  
ES  
IT  
NL  
PT  
DA  
SV  
FI  
NO  
RU  
**PL**  
CS  
HU  
RO  
LV  
LT  
ET  
HR  
SL  
SK  
BG  
UK  
TR

Při návrhu křovinořezu / strunové sekačky byl kladen obzvláštní důraz na bezpečnost, výkon a spolehlivost.

### ZAMÝŠLENÉ POUŽITÍ

Strunovou sekačku/křovinořez smí používat pouze dospělé osoby, které si přečetly a řádně pochopily pokyny a upozornění v tomto návodu, a mohou být považovány za zodpovědné za své činy. Tento výrobek je určen pouze pro venkovní používání v době větrané oblasti. Z bezpečnostních důvodů je nutné s produktem řádně manipulovat oběma rukama.

Produkt vybavený zastříhací hlavou (a příslušným krytem) je vhodný k sečení vysoké trávy, dužnatého plevele a podobné vegetace v úrovni nebo takřka v úrovni země. Je-li produkt vybaven čepelí Tri-Arc™ (a příslušným chráničem), lze jej použít také jako křovinořez. Produkt není vhodný k montáži řezného kotouče.

Rovina řezu by měla být víceméně rovnoběžně s plochou země. Výrobek se nesmí používat pro stříhání či úpravu živého plotu, keřů nebo jiné vegetace, kde rovina řezu není rovnoběžně s plochou země.

Přístroj nepoužívejte ji k jiným účelům.

### VAROVÁNÍ

Pro snížení nebezpečí poranění musí uživatel před použitím tohoto výrobku přečíst a pochopit návod k použití.

### VAROVÁNÍ

Nepokoušejte se používat produkt, dokud si řádně nepřečtete a neporozumíte všem pokynům a bezpečnostním předpisům uvedeným v této příručce. Pochybení tak může způsobit vznik požáru, úraz elektrinou a/nebo vážné osobní poranění. Ušchovejte si tento návod k obsluze a často se do něj dívejte, abyste stále bezpečně pracovali a poučte ostatní, kteří by mohli nástroj používat.

### VAROVÁNÍ

Tento nástroj není určen pro používání osobami, včetně dětí, pokud jsou jejich fyzické, pohybové nebo mentální schopnosti sníženy. Dohlédněte, aby si děti se spotřebičem nehrály.

### VŠEOBECNÁ BEZPEČNOSTNÍ VAROVÁNÍ

- Pro bezpečné používání si přečtete a porozumíte všem pokynům, než použijete výrobek. Respektujte veškeré bezpečnostní pokyny. Nedodržení pokynů může způsobit vážné zranění.
- Místní předpisy mohou omezovat použití výrobku. Ověřte si u svého orgánu místní správy toto nařízení.
- Nenechávejte děti nebo neproškolené osoby používat tento přístroj.
- Nikdy motor nespouštějte ani nepoužívejte v uzavřených nebo málo větraných místnostech; vdechování zplodin může usmrtit.
- Před každým použitím si vyčistíte pracovní oblast.

Odstraňte všechny objekty, např. kameny, rozbité sklo, hřebíky, kabely či struny, které by mohly být odhozeny nebo se zamotat do strunové hlavy.

- Při práci s výrobkem používejte kompletní ochranu zraku a sluchu. Noste ochrannou helmu, kde hrozí nebezpečí pádu předmětů.
- Ochrana sluchu může omezit schopnost obsluhy slyšet varovné signály. Věnujte zvláštní pozornost na potenciálním nebezpečím kolem a uvnitř pracovní plochy.
- Noste silné dlouhé kalhoty, nekouzavou bezpečnostní obuv a rukavice. Nenoste volné oděvy, krátké kalhoty, jakékoli šperky; nebuďte při práci bosí.
- Dlouhé vlasy si svažte nad rameny, aby se nemohly zaplést do pohyblivých částí.
- Všechny přihlízející, děti a zvířata udržujte ve vzdálenosti alespoň 15 m. Zastavte výrobek, pokud někdo vstoupí do pracovního prostoru výrobku.
- Nepoužívejte, pokud jste unaveni nebo pod vlivem drog, alkoholu nebo léků.
- Neprovazujte při slabém osvětlení. Provozovatel musí mít jasný přehled, aby určil potenciální rizika.
- Udržujte řádné postavení a rovnováhu po celou dobu práce. Nepřeceňujte se. Přeceňování může mít za následek ztrátu rovnováhy nebo vystavení horkým plochám.
- Udržujte všechny části těla mimo pohyblivé součásti.
- Nedotýkejte se oblasti kolem tlumiče nebo válce produktu, protože tyto součásti se při provozu zahřívají.
- Před prováděním jakýkoliv úprav vždy zastavte motor a nechte jej vychladnout.
- Při míchání paliva a plnění palivové nádrže nekuřte.
- Benzín míchejte a skladujte v nádobě určené ke skladování benzínu.
- Benzín míchejte na vzduchu, v bezpečné vzdálenosti od zdrojů jiskření a otevřeného ohně. Pečlivě utřete vylitý benzín. Přesuňte se 9 m od místa doplnění paliva před spuštěním motoru.
- Před doplněním paliva motor zastavte a nechte výrobek vychladnout.
- Nechejte motor zchladit; vyprázdněte nádrž pro palivo a zajistěte proti přemístění před převozem ve vozidle.
- Vždy vypněte motor a ujistěte se, že se všechny pohyblivé díly zastavily dříve, než:
  - servis
  - ponechání výrobku bez dozoru
  - čištění výrobku
  - výměna příslušenství
  - Odstraňování blokování
  - kontrola případného poškození po nárazu do předmětu
  - kontrola případného poškození, pokud začne výrobek nezvykle vibrovat
  - provádění údržby
  - sejmutí čepele
  - Nasazení čepele

### ⚠ VAROVÁNÍ

Nikdy nepoužívejte sekací náčiní ani nástavce, které nejsou společností Ryobi v této příručce uvedeny. Týká se to také použití kovových otáčivých řetězů a mulčovacíků čepelí. Tyto předměty se během použití mohou zlomit a vystavit uživatele či přihlížející riziku závažného poranění.

### ⚠ VAROVÁNÍ

Prohlídka po pádu či jiných úderech

Výrobek řádně prohlédněte a zjistěte vady či poškození. Jakýkoliv poškozený díl je nutné správně opravit nebo nechat vyměnit v autorizovaném servisním středisku.

### VAROVÁNÍ PRO STRUNOVOU SEKAČKU

- Jakmile je strunová hlava zničena, popraskaná nebo poškozená, vyměňte ji. Ujistěte se, že strunová hlava je správně nainstalovaná a bezpečně upevněna. Pochybení tak může způsobit vážný úraz.
- Nepoužívejte na mokrou trávu.
- Nechodte pospět, když výrobek používáte.
- Chodte, nikdy neběhejte.
- Malá čepel přimontovaná k chrániči proti pořezání je určena k ustřížení nově vytažené struny na správnou délku – bezpečně a s optimálním výkonem. Je velmi ostrá; nedotýkat se, obzvlášť při čištění výrobku.
- Vždy zajistěte, aby ventilační otvory nebyly ničím zataraseny.
- Před prací s nástrojem a po nárazu zkontrolujte možné poškození dílů. Zkontrolujte žací prostředky na známky prasklin nebo jiných poškození. Poškozený vypínač nebo jakýkoliv jiný díl je nutné správně opravit nebo nechat vyměnit v autorizovaném servisním středisku.
- Zkontrolujte, zda je doplněk hlavy řádně nainstalován a bezpečně upevněn.
- Zkontrolujte, že jsou všechny kryty, deflektory, rukojeti, šrouby a upevňovací prvky řádně připevněny.
- Výrobek žádným způsobem neupravujte. Může dojít ke zvýšení rizika úrazu vás nebo druhých.
- V řezné hlavě používejte pouze náhradní strunu od výrobce. Nepoužívejte žádné jiné sekací nástavce.
- Produkt nikdy neprovazujte bez namontovatelného chrániče proti pořezání, který je v dobrém stavu.
- Při řezání držte výrobek pevně za obě rukojeti. Strunová hlava musí zůstat v úrovni pod pasem. Nikdy nesekejte se strunovou hlavou umístěnou výše než 76 cm nad zemí.

### VAROVÁNÍ KE KŘOVINOŘEZU

- Kromě výše uvedených zásad platí tyto další pokyny při používání produktu v režimu křovinořezu.
- Při nasazování nebo snímání čepelí používejte pevné rukavice, protože čepele mají ostré hrany.
- Nezkoušejte se dotýkat nebo zastavovat nůž, když se otáčí.

- Pohybující se čepel může způsobit závažné poranění. Oběma rukama držte produkt řádně pod kontrolou, dokud se čepel zcela nezastaví.
- Vyměňujte každý poškozený nůž. Vždy se ujistěte, že je nůž řádně nainstalován a bezpečně připevněn před každým použitím.
- Používejte pouze náhradní kotouč Tri-Arc™ od výrobce. Nepoužívejte žádné jiné sekací nástavce.
- Nikdy nesekejte materiál s průměrem přes 13 mm.
- Křovinořez je vybaven strojem. Opatrně nastavte postroj tak, aby pohodlně podpíral hmotnost produktu po vaší pravé straně.
- Vyhleďte si jak obsluhovat rychlospojku a naučte se ji používat před první obsluhou nástroje. Její správné používání může zabránit v nouzi vážným poraněním. Nikdy nenoste doplňující oděv přes popruhy nebo jinak neomezujte přístup k rychlospojce.
- Před skladováním nebo přepravováním výrobku vždy na nůž umístěte chránič nože. Před používáním nástroje vždy chránič nože sundejte. Pokud jej nesundáte, může chránič vyletět jako projektil při spuštění přístroje.
- Je třeba být opatrný, když používáte nůž s tímto zařízením. Vyskočení nože je reakce, která může nastat, když rotující nůž přijde do kontaktu s něčím, co nelze přeřezat. Tento kontakt může způsobit, že se nůž okamžitě zastaví a náhle nástroj „vyskočí“ od objektu, který byl zasažen. Tato reakce může být tak prudká, že obsluhující může ztratit kontrolu nad přístrojem. Odmrštění nože může nastat bez varování, pokud se nůž zasekne, zamotá do trávy nebo zahákne. Nejpravděpodobněji to může nastat v oblastech, kde je obtížně prohlednout materiál k sečení.
- Pro jednoduché a bezpečné sečení provádějte sečení plevele zprava doleva. V případě kontaktu s neočekávaným předmětem nebo dřevěným kmenem by toto mohlo snížit zpětnou reakci kotouče. Pro ovládnutí výrobku jsou zapotřebí obě ruce.

### MONTÁŽ

#### VYBALENÍ

Viz strana 181-182.

Tento výrobek vyžaduje složení.

- Vyndejte nástroj a veškeré příslušenství z krabice. Ujistěte se, že jsou přibaleny všechny položky uvedené v seznamu součástí.
- Opatrně nástroje zkontrolujte, zda není rozbit nebo poškozen dopravou.

### ⚠ VAROVÁNÍ

Pokud nějaké předměty chybí nebo jsou viditelně poškozeny, nepracujte s tímto výrobkem, dokud se součástí nevymění. Pochybení tak může způsobit vážné osobní poranění.

#### SEŘÍZENÍ POPRUHU

Viz strana 185/189.

Upravte popruh do pohodlné a vyvážené polohy, ve které bude čepel nebo žací národa ve výšce 100 mm a 300 mm

EN  
FR  
DE  
ES  
IT  
NL  
PT  
DA  
SV  
FI  
NO  
RU  
PL  
CS  
HU  
RO  
LV  
LT  
ET  
HR  
SL  
SK  
BG  
UK  
TR

nad zemí.

## POUŽITÍ POPRUHU

Viz strana 185/189.

**POZNÁMKA:** S produktem vždy používejte postroj.

**POZNÁMKA:** Chcete-li postroj rychle uvolnit od produktu, zprudka zatáhněte za rychlouvolňovací jazýček

## POUŽITÍ HLAVY VYŽÍNAČE REELEASY™ A NOŽE TRI-ARC™

- Při použití hlavy vyžinače ReelEasy™ musí být kryt proti trávě připevněn ke krytu nože. (Viz strana 203).
- Pokud používáte nůž Tri-Arc™ pro řezání křoví, musí se sundat kryt proti trávě z chrániče nože. (Viz strana 202).

### VAROVÁNÍ

Před spuštěním motoru vždy vytáhněte kolík zajišťující převodovou hřídel (viz strana 185, krok 4)

## POUŽITÍ

### PALIVO A PLNĚNÍ NÁDRŽE

Viz strana 184.

- Vždy zacházejte s palivem s opatrností, je velmi hořlavé.
- Toto nářadí je vybaveno dvoudobým motorem, který ke svému provozu potřebuje benzín a olej. Smíchejte bezolovnatý benzín a olej pro dvoutaktní motory v čisté nádobě, která odpovídá bezpečnostním předpisům.
- Motor používá bezolovnatý benzín pro motorová vozidla s oktanovým číslem 91 (IR + MJ/2) nebo více.
- Nepoužívejte míchané benzínové směsi s olejem, které jsou k dostání v benzínových čerpacích stanicích.
- Používejte pouze syntetický olej pro dvoudobé motory. Nepoužívejte automobilové oleje nebo olej pro vnější 2-dobé motory.
- Přimíchejte 2% syntetického oleje pro 2dobé motory do benzínu. Míchejte v poměru 50:1.
- Před doplněním paliva do nádrže palivovou směs dobře promíchejte.
- Připravte palivovou směs v malém množství. Benzínovou směs si nepřipravujete více než na měsíc dopředu. Doporučuje se používat syntetický olej pro dvoudobé motory se stabilizační přísadou.

### PLNĚNÍ PALIVOVÉ NÁDRŽE

- Vyčistěte nádrž kolem uzávěru, aby nedošlo ke kontaminaci paliva.
- Pomalu odšroubujte uzávěr palivové nádrže, aby došlo k pomalému vyrovnání tlaku a aby se palivo nerozlítlo kolem uzávěru.
- Pomalu a opatrně nalijte palivo do nádrže. Dávejte pozor, abyste palivo nerozlili.
- Než uzávěr nádrže opět zašroubujete, vyčistěte těsnění a zkontrolujte, zda je v dobrém stavu.
- Nasadte uzávěr a pevně ho utáhněte. Pečlivě utřete vylitý benzín. Přešuněte se o 9 m (30 stop) od místa

doplnění před spuštěním motoru.

## SPUŠTĚNÍ MOTORU POMOCÍ ELEKTRICKÉHO STARTÉRU (VOLITELNĚ):

Viz strana 196-201.

### VAROVÁNÍ

Pouze s elektrickým startérem Ryobi OES18. Při používání jiného startéru může dojít k poškození motoru a vážným zraněním osob.

### VAROVÁNÍ

Před použitím elektrického startéru ke spuštění produktu si přečtěte celou provozní příručku k elektrickému startéru OES18 a ujistěte se, že jste jí porozuměli. Tím předejdete nesprávnému provozu a vážným zraněním osob.

- Uchopte izolovanou hřídel do levé ruky a pravou rukou vložte hřídel startovacího kolíku do otvoru hřídele na motoru. Jinak motor nepoběží.

- Ujistěte se, že startovací kolík je řádně usazen.

**POZNÁMKA:** Elektrický startér je vybaven bezpečnostním blokováním. Při vkládání hřídele elektrického startéru do otvoru hřídele na motoru nesmí být stisknuto a přidrženo spínací tlačítko. Startér se nebude otáčet, není-li elektrický startér řádně sepnutý.

## POUŽITÍ VYŽÍNAČE

Viz strana 189.

**RBC31SESO:** Přidržte produkt pravou rukou za zadní rukojeť a levou rukou za přední rukojeť.

**RBC31SBO:** Držte produkt pravou rukou na rukojeti se spouští a levou rukou na levé rukojeti.

- Během sečení držte pevně obě rukojeti.
- Výrobek se musí držet v pohodlné poloze se spouštěcí rukojetí nad výškou pasu.
- Vždy produkt používejte na plný plyn. Delší sekání při částečném stisknutém plynu má za následek ukapávání maziva z tlumiče.
- Sečte vysokou trávu odshora dolů, to zabraňuje trávě omotávat se okolo krytu hřídele a strunové hlavy, jinak může dojít k přehřívání.
- Pokud se tráva nebo odpad zamotají do vyžínacích prvků, zastavte motor. Nasadte si rukavice, abyste si na ostrých nožích nezpůsobili úraz, a opatrně odpad vyjměte.
- Na trávu určenou k posečení netlačte. Pohybuje sekačkou ze strany na stranu. Při každém dokončení pohybu sekačkou poněkud postupte vpřed.
- Udržujte výrobek nahnut do oblasti sečení.
- Nepoužívejte v nebezpečných prostředích.
- Používejte pro sekání okraj struny; netlačte strunovou hlavou na neposekanou trávu.
- Drátěné a kolíkové ploty způsobují nadměrné opotřebování, či odlomení struny. Kamenné cihlové zdi, obrubníky a dřevo mohou velmi rychle strunu

opotřebovat.

- Vyhybejte se stromům a kůlům. Dřevěné odřezky, výlisky, obklady a tyče plotu mohou strunu snadno poškodit.

## OBSLUHA KŘOVINOŘEZU

Viz strana 192.

Omezení rizika zpětných rázů: Netlačte na odřezávaný materiál. Sekačkou pohybuje pravidelným rozmachováním zprava doleva. Při započetí každého nového rozmáchnutí sekačkou poněkud postupte vpřed.

**RBC31SESO:** Přidržte produkt pravou rukou za zadní rukojeť a levou rukou za přední rukojeť.

**RBC31SBO:** Držte produkt pravou rukou na rukojeti se spouští a levou rukou na levé rukojeti.

- Výrobek se musí držet v pohodlné poloze se spouštěcí rukojetí nad výškou pasu.
- Udržujte bezpečné uchycení a rovnováhu na obou nohách. Postavte se tak, abyste byli připravení na zpětnou reakci řezacího nože.
- Nastavte popruh závěsu do pohodlné úrovně.
- Je třeba být opatrný, když používáte nůž s tímto zařízením. Vyskočení nože je reakce, která může nastat, když rotující nůž přijde do kontaktu s něčím, co nelze přezehat. Tento kontakt může způsobit, že se nůž okamžitě zastaví a náhle nástroj „vyskočí“ od objektu, který byl zasažen. Tato reakce může být tak prudká, že obsluhující může ztratit kontrolu nad přístrojem. Odmrštění nože může nastat bez varování, pokud se nůž zasekne, zamotá do trávy nebo zahákne. Nejpravděpodobněji to může nastat v oblastech, kde je obtížně prohlednout materiál k sečení. Pro jednoduché a bezpečné sečení provádějte sečení plevele zprava doleva. **V případě kontaktu s neočekávaným předmětem nebo dřevěným kmenem by toto mohlo snížit zpětnou reakci kotouče.**

## TRANSPORT A SKLADOVÁNÍ

- Před skladováním a transportem nechejte výrobek vždy zastavit a vychladnout.
- Odstraňte z výrobku všechny cizí materiály.
- Je-li namontována sečná čepel, přikryjte ji krytkou na čepel.
- Vylijte palivo z nádrže do kanystru nebo do jiné nádoby, ve které lze uchovávat benzin. Řádně nasadte uzávěr palivové nádrže a utáhněte.
- Zapněte motor a nechte ho běžet, dokud se sám nevypne pro nedostatek paliva. Odstraní se tak veškerý benzin, který by mohl po čase zanechat stopy laku a pryže v palivovém systému.
- Ukládejte v chladných, suchých a dobře větraných prostorech, které nejsou přístupné dětem. Nářadí neuskładňujte v blízkosti žíravých látek, jako například v blízkosti zahrádkářských nebo zahradnických chemických přípravků nebo soli na zimní sypání komunikací. Neskladujte mimo budovu.
- Při transportu výrobku zajistěte proti pohybu nebo pádu, abyste zabránili poranění osob nebo poškození výrobku.

- Nepřenášejte či nepřevážte nástroj, když běží.
- Dodržujte veškeré národní závazné předpisy v oblasti přepravy a skladování pohonných hmot. Zbýlé palivo můžete použít pro jiné nářadí vybavené dvoudobým motorem.

## KRÁTKODOBÉ SKLADOVÁNÍ

- Zastavte motor a před uschováním jej nechte vychladnout.
- Odstraňte z výrobku všechny cizí materiály.
- Ukládejte v chladných, suchých a dobře větraných prostorech, které nejsou přístupné dětem.
- Nářadí neuskładňujte v blízkosti žíravých látek, jako například v blízkosti zahrádkářských nebo zahradnických chemických přípravků nebo soli na zimní sypání komunikací.
- Neskladujte mimo budovu.

## ÚDRŽBA

### ⚠ VAROVÁNÍ

Používejte pouze originální příslušenství, doplňky a náhradní díly výrobce. Zanedbání může zapříčinit možné poranění, slabý výkon a může dojít ke ztrátě záruky.

### ⚠ VAROVÁNÍ

Řezací příslušenství se nesmí otáčet ve volnoběžném režimu. Pokud není tento požadavek uspokojen, je třeba seřídít spojku nebo nástroj potřebuje okamžitou údržbu kvalifikovaným technikem.

### ⚠ VAROVÁNÍ

Netěsné víko nádrže je místo s nebezpečím požáru a musí se ihned vyměnit.

### ⚠ VAROVÁNÍ

Pozor: matice čepel je samojistná a lze ji použít jen jednou při montáži. Samojistnou matici znovu nepoužívejte. Při každé (opakované) montáži vždy použijte novou samojistnou matici. Nedodržení pokynů může způsobit vážné zranění.

### ⚠ VAROVÁNÍ

Při montáži nože musí být krouticí moment matice  $\geq 25\text{Nm}$ . Nedodržení pokynů může způsobit vážné zranění. (viz strana 202, krok 4)

- Vždy vypněte motor a nechte ho vychladnout před provedením jakékoli údržby.
- Můžete provádět v návodu k obsluze uvedené opravy a seřízení. Opravy zařízení se smí provádět pouze u pověřených servisních prodejců.
- Následky nesprávné údržby mohou zahrnovat

nadměrné usazování uhlíkových usazenin s následkem ztráty výkonu a vytékání černých olejovitých zbytků z tlumiče.

- Při výměně struny používejte pouze monofilní strunu o průměru dle tabulky technických údajů v návodu.
- Po natažení nové žací struny vždy výrobek vraćete do normální provozní polohy, než jej znovu použijete. Po každém použití seřete nástroj měkkým a suchým hadíkem.
- Zkontrolujte, zda jsou všechny chrániče, popruhy, vodící plechy a rukojeti řádně a bezpečně připojeny, abyste zabránili poraněním osob.

## PLÁN ÚDRŽBY

Zkontrolujte, zda je spona plně utáhnuta	Před každým použitím
Zkontrolujte: Řezací příslušenství se nesmí otáčet ve volnoběžném režimu. <sup>2</sup>	Před každým použitím
Kontrola benzínové hadičky	Před každým použitím
Kontrola všech připojení hadice	Před každým použitím
Čištění palivové nádrže a filtru <sup>1</sup>	Každé 3 měsíce nebo 50 hodin provozu
Výměna palivového filtru <sup>1</sup>	Každý rok nebo po 300 hodinách provozu
Zkontrolujte, jestli kryt palivové nádrže nebo výpustní ventil (pokud je) nezatéká	Před každým použitím
Vyčistíte vzduchový filtr.	Každých 25 hodin
Výměna vzduchového filtru	Každý rok nebo po 300 hodinách provozu
Vyčistíte nebo upravte zapalovací svíčku.	Každé 3 měsíce nebo 100 hodin provozu
Výměna palivového filtru	Každý rok nebo po 300 hodinách provozu
Vyčistíte pohlcovač jisker	Každých 25 hodin
Lapač jisker vyměňte za nový.	Každý rok nebo po 300 hodinách provozu
Čištění výfukového otvoru a výfuku	Každých 25 hodin

<sup>1</sup> Tyto činnosti by měly provádět pouze autorizovaná servisní centra.

<sup>2</sup> Pokud není tento požadavek splněn, obraťte se na autorizované servisní centrum, které opravu nebo seřízení provede.

### ZBYTKOVÁ RIZIKA

Dokonce, i když se výrobek provozuje jak je předepsáno, je stále nemožné zcela eliminovat veškeré zbytkové rizikové faktory. Následující nebezpečí mohou nastat při používání;

vyhýbejte se:

- Kontakt s řeznými prostředky.
  - Když se výrobek nepoužívá, musí být nasazen chrániče čepelí. Ruce a nohy udržujte celou dobu mimo kotouče.
- Poranění způsobené vibracemi.
  - Pro danou práci vždy používejte správný nástroj, navržené rukojeti a dodržujte pracovní dobu a expozici.
- Poškození sluchu způsobeného expozicí hluku.
  - Noste ochranu sluchu a omezte vystavení.
- Poranění zraku odletujícím materiálem.
  - Vždy noste adekvátní ochranu zraku.
- Riziko padajících předmětů
  - Hrozí-li riziko padajících objektů, noste ochranu hlavy.

Při používání křovinořezu může docházet ke zpětným rázům. Držte produkt řádně pod kontrolou oběma rukama za vyznačené rukojeti. Postupujte podle pokynů jinde v této příručce, abyste omezili riziko zpětných rázů.

### SNÍŽENÍ RIZIKA

Bylo zjištěno, že vibrace z ručních pracovních nástrojů mohou u některých osob přispívat ke stavu tzv. Raynaud's Syndrome (Raynaudovu syndromu). Mezi jeho příznaky patří brnění, necitlivost a zbledení prstů, patrné obvykle po pobytu v chladu. Vědci se domnívají, že k rozvinutí těchto příznaků přispívají dědičné faktory, pobyt v chladu a vlhku, strava, kouření a pracovní návyky. Uživatel může omezit případné působení vibrací použitím vhodných opatření:

- Za chladného počasí se teple oblečte. Při práci s výrobkem si navlékněte rukavice, abyste udrželi ruce a zápěstí v teple. Bylo zjištěno, že chladné počasí je hlavním faktorem přispívajícím k Raynaud's Syndrome (Raynaudovu syndromu).
- Během práce si v pravidelných intervalech zacvičte, abyste zvýšili krevní oběh.
- Ujistěte se, že je nástroj správně umístěn v navržené provozní poloze před spuštěním nástroje.
- Omezte dobu práce za den. Zařazujte časté pracovní přestávky.

Jakmile pocítíte některý z výše uvedených příznaků tohoto syndromu, okamžitě přerušte práci a vyhledejte lékaře.

### VAROVÁNÍ

Poranění mohou být způsobena, či zhoršena, prodlouženým používáním nástroje. Když používáte jakýkoliv nástroj delší dobu, dělejte pravidelně přestávky.

### POZNEJTE SVŮJ NÁSTROJ

1. Rukojeť startovacího kabelu (hnací část spouštěče)
2. Víko nádrže
3. RBC31SBO: Řídítková rukojeť
4. RBC31SBO: Hnací hřídel
5. Kryt lišty
6. Kryt proti trávě
7. Nylonová matice

8. Podložka čepele
9. Miskovitá podložka
10. Chránič nože
11. Nůž Tri-Arc™
12. Kryt horní strunové hlavy
13. Cívka
14. Nárazový výstupek
15. Kryt dolní strunové hlavy
16. Žací struna
17. RBC31SBO: Západky páky plynu
18. RBC31SBO: Spouštěč - zvyšování otáček
19. Spínač zapalování
20. RBC31SBO: Zámek páky plynu
21. Háček pro řemen
22. RBC31SESO: Spodní násada
23. RBC31SESO: Otočný knoflík
24. RBC31SESO: Horní násada
25. RBC31SESO: Přední rukojeť
26. RBC31SESO: Spouštěč - zvyšování otáček
27. RBC31SESO: Zámek páky plynu

#### SYMBOLY NA VÝROBKU



Bezpečnostní výstraha



Řádně si návod přečtěte, porozumějte veškerým pokynům a dodržujte všechny bezpečnostní pokyny a bezpečnostní varování.



Používejte ochranu zraku, hlavy a sluchu.



Noste neklouzavou bezpečnostní obuv, když používáte tento výrobek.



Navlékněte si pevné neklouzavé rukavice.



Dávejte pozor na odmrštěné nebo odletující předměty. Všechny přihlížející, zvláště děti a zvířata udržujte ve vzdálenosti alespoň 15 m od pracovní oblasti.



Tento výrobek není vhodný pro používání s ozubenými kotouči rotačních pil.



Pro snížení nebezpečí poranění nebo poškození se vyhýbejte kontaktu s jakoukoliv horkou plochou.



Udržujte ruce mimo nože.



Zaručená hladina akustického výkonu



Pracovní poloha



Nastavte páku sytiče do polohy „FULL“.



Nastavte páku sytiče do polohy „HALF“.



Čekací doba 10 sekund



**SPUŠTĚNÍ POMOCÍ NASTŘIKOVAČE PALIVA**  
Stiskněte 10-krát hlavičku startéru.



Zatáhněte za startovací lanko.



Mačkejte spoušť plynu pro spuštění/běh



Plyn zajistěte v dané poloze stisknutím tlačítka blokování plynu.



Používejte pouze bezolovnatý benzin pro motorová vozidla s oktanovým číslem 91 (IR + M)/2) nebo více.



Používejte olej pro 2 dobé motory chlazené vzduchem.



Palivo důkladně promíchejte a opět ho zamíchejte vždy před použitím.



Spuštění studeného motoru rukou



Spuštění teplého motoru rukou



Spuštění studeného motoru pomocí elektrického startéru



Spuštění teplého motoru pomocí elektrického startéru



Symbol přímé hřídele: Při nasazování strunové cívky by měl být tento symbol uživateli viditelný.



Nůž Tri-Arc™ je vhodný pro použití s tímto výrobkem a hodí se k sekání měkké plevele a popínavých rostlin.



Dejte pozor na rázy od čepele.



Směr otáčení a nejvyšší počet otáček hřídele pro sekací nástavec.



Táhněte  
Rychlouvolňovací pásek  
Toto nářadí je v souladu se všemi normami a předpisy platnými v zemi EU, ve které bylo zakoupeno.



Euroasijská značka shody



Ukrajinská značka shody



EN  
FR  
DE  
ES  
IT  
NL  
PT  
DA  
SV  
FI  
NO  
RU  
PL  
**CS**  
HU  
RO  
LV  
LT  
ET  
HR  
SL  
SK  
BG  
UK  
TR

Následující signální slova a významy jsou vhodné pro vysvětlení úrovní nebezpečí spojených s tímto výrobkem.

**⚠ NEBEZPEČÍ**

Označuje bezprostředně rizikovou situaci, které je třeba předejít, jinak bude jejím následkem smrt nebo vážné zranění.

**⚠ VAROVÁNÍ**

Označuje možnou rizikovou situaci, které je třeba předejít, jinak jejím následkem může být smrt nebo vážné zranění.

**⚠ VAROVÁNÍ**

Označuje možnou rizikovou situaci, které je třeba předejít, jinak jejím následkem může být smrt nebo vážné zranění.

**VAROVÁNÍ**

Bez symbolu bezpečnostní výstrahy

Určuje situaci, která může mít za následek vážné poškození.

**SYMBOLY V NÁVODU**



Poznámka



Varování



A bozótvágó/fűkasza tervezése során elsődleges szempont volt a biztonság, a teljesítmény és a megbízhatóság.

### RENDELTESSZERŰ HASZNÁLAT

A bozótvágó/fűkaszát kizárólag olyan felnőttek használhatják, akik elolvasták és megértették a jelen kézikönyv utasításait és figyelmeztetéseit, és tetteikért felelősséget tudnak vállalni. A termék csak kültéri, jól szellőztetett területen való használatra készült. Biztonsági okokból a terméket kétkézes működtetéssel megfelelő ellenőrzés alatt kell tartani.

A fűnyírófejjel (és a megfelelő védőelemmel) felszerelve a termékkel hosszú fű, lágyszárú gyomnövények és hasonló növényzet vágható a talaj szintjén vagy annak közelében. A Tri-Arc™ vágótárcsa (és megfelelő védőelem) felszerelésével a berendezés bokrokat is képes levágni. A termékhez nem illeszthető fűrésztárcsa.

A vágás síkjának nagyjából párhuzamosnak kell lennie a talajfelszínnel. A termék nem használható sövények, bokrok vagy más olyan növény vágására vagy nyésésére, ahol a vágás síkja nem párhuzamos a talajfelszínnel. Semmilyen más célra nem használja.

### ▲ FIGYELMEZTETÉS

A sérülések kockázatának csökkentése érdekében a felhasználónak el kell olvasnia és meg kell értenie a kezelői kézikönyv tartalmát.

### ▲ FIGYELMEZTETÉS

Ne üzemeltesse a terméket, amíg alaposan el nem olvasta és teljesen meg nem értette a kézikönyvben szereplő utasításokat és biztonsági szabályokat. Ennek figyelmen kívül hagyása olyan baleseteket eredményezhet, amelyek áramütést, tüzet és/vagy súlyos személyi sérülést okozhatnak. Őrizze meg a kezelői útmutatót, és időnként olvassa át a folyamatosan biztonságos használat érdekében, valamint hogy ismertetni tudja másokkal a termék használati módját.

### ▲ FIGYELMEZTETÉS

Ezt a terméket nem használhatják gyerekek és korlátozott fizikai, érzékelési vagy mentális képességekkel rendelkező személyek. A gyerekekre oda kell figyelni, nehogy játsszanak a termékkel.

### ÁLTALÁNOS BIZTONSÁGI FIGYELMEZTETÉSEK

- A biztonságos használat érdekében a termék használata előtt olvassa el és értelmezze az összes utasítást. Kövessen minden biztonsági utasítást. Bármely előírás be nem tartása súlyos testi sérüléssel járhat balesetet vonhat maga után.
- Egyes régiókban olyan előírások érvényesek, amelyek korlátozzák a termék használatát. További információért forduljon a helyi önkormányzatához.
- Ne engedje, hogy gyerekek vagy megfelelő gyakorlattal nem rendelkező személyek használják a terméket.
- Zárt vagy rosszul szellőző helyiségben soha ne indítsa be vagy járassa a motort; a kipufogógázok belégzése

életveszélyes lehet.

- A használat előtt tisztítsa meg a munkaterületet. Távolítsa el minden tárgyat - sziklákat, üvegszilánkokat, szökeket, vezetékeket vagy damilt, amely a damilos fejbe vagy tárcsába kerülhet és beszorulhat.
- Viseljen teljes szem- és fülvédőt a termék használata közben. Kötelező a fejdő viselete, ha olyan területen dolgozik, ahol tárgyak hullhatnak le.
- A hallásvédő meggátolhatja a kezelőt abban, hogy meghallja a figyelmeztető hangokat. Figyeljen különösen oda a potenciális veszélyekre a munkaterület körül és a munkaterületen.
- Viseljen vastag anyagból készült hosszú nadrágot, csúszásmentes védőlábbelit és kesztyűt. Ne vegyen fel laza ruhát, rövid nadrágot, semmilyen ékszert, illetve ne legyen meztelb.
- Ha hosszú a haja, azt a vállvonal felett rögzítse, nehogy beakadjon valamilyen mozgó alkatrészre.
- A gyerekek, állatok és más személyek legyenek legalább 15 méteres távolságban. Állítsa le a terméket, ha bárki belép a területre.
- Ne használja a terméket, ha fáradt, beteg vagy alkohol, gyógyszerek, illetve más tudatmódosítók hatása alatt áll.
- Ne használja a gépet gyenge megvilágítás esetén. A kezelőnek akadálymentes rálátásra van szükséges a potenciális veszélyek azonosításához.
- Mindig tartson megfelelő testtartást és egyensúlyt. Ne hajoljon ki túlságosan. A túlzott kinyúlás egyensúlyvesztést vagy forró felületekkel való érintkezést eredményezhet.
- A testrészeit tartsa távol a mozgó alkatrészekről.
- Ne érintse meg a zajtompító és henger körüli területeket, ezek a részek használat közben felforrósodnak.
- Beállítások előtt mindig állítsa le a motort és várjon, amíg lehűl.
- Ne dohányozzon az üzemanyag keverése vagy betöltése közben.
- Az üzemanyagot benzineskannában tárolja és keverje.
- Az üzemanyagot a szabadban, minden szikraes gyújtóforrástól távol keverje. Törölje le a kifolyt benzint. A motor indítása előtt távolodjon el 9 méter távolságra attól a helytől, ahol az üzemanyagot betöltötte.
- Az üzemanyag újratöltése előtt állítsa le a motort és várjon, amíg a termék lehűl.
- Gépjárműben való szállítást előtt hagyja lehűlni a motort, ürítse ki az üzemanyagtartályt és rögzítse a gépet, hogy ne mozdulhasson el.
- Mindig állítsa le a motort és ellenőrizze, hogy minden mozgó alkatrész leállt, mielőtt:
  - szervizelés
  - a termék felügyelet nélkül hagyása
  - a termék tisztítása
  - tartozékok cseréje
  - dugulások elhárítása
  - egy tárgy eltalálása után vizsgálja meg, hogy nincsenek-e rajta sérülések
  - Ellenőrizze, hogy a termék nem sérült-e meg, ha a

EN  
FR  
DE  
ES  
IT  
NL  
PT  
DA  
SV  
FI  
NO  
RU  
PL  
CS  
HU  
RO  
LV  
LT  
ET  
HR  
SL  
SK  
BG  
UK  
TR

- vágó túlzottan vibrálni kezd
- karbantartás végrehajtása
- tárcsa eltávolítása
- tárcsa felszerelése

#### **▲ FIGYELMEZTETÉS**

Csak a Ryobi által meghatározott, ezen kézikönyvből szereplő vágóeszközöket és tartozékokat használjon. Ez vonatkozik a több darabból álló csuklós láncokra és a csapópengékre is. Ezek az elemek a használat során elszakadhatnak és ilyen esetben nagyon súlyos sérülést okozhatnak a készülék kezelőjének vagy a közelben tartózkodóknak.

#### **▲ FIGYELMEZTETÉS**

Leesés vagy más ütés utáni átvizsgálás  
Alaposan vizsgálja át a terméket, és keresse meg az esetleges behatásokat vagy sérüléseket. A sérült alkatrészeket egy hivatalos szervizközpontban kell megjavíttatni vagy kicseréltetni.

#### **BIZTONSÁGI FIGYELMEZTETÉSEK A**

- Cserélje ki a damilfejet ha megrepedt, berepedezett vagy más módon megsérült. Győződjön meg arról, hogy a damilfejet helyesen szerelte fel és biztonságosan rögzítette. Ennek elmulasztása súlyos sérülést okozhat.
- Kerülje a nedves fűvön való használatot.
- Ne lépjen hátrafelé a termék használata közben.
- Gyalogoljon, ne fusson.
- A vágókészülék védőelemére szerelt kis penge nyírja le az új kihúzott szálát a megfelelő hosszra, így a berendezés biztonságosan és a legkedvezőbb teljesítménnyel működhet. Ez a penge nagyon éles; ne érjen hozzá, különösen a termék tisztítása közben.
- Mindig ügyeljen rá, hogy semmi ne maradjon a szellőzőnyílásokban.
- Használat előtt és amennyiben a gépet bármilyen behatás éri, ellenőrizze, hogy az alkatrészek nem sérültek. Vizsgálja át a vágóeszközöket repedések és más károsodás jeleit keresve. A hibás kapcsolókat vagy bármilyen más sérült alkatrészt egy hivatalos szervizközpontban megfelelően meg kell javíttatni vagy ki kell cseréltetni.
- Bizonyosodjon meg róla, hogy a fej szerelvény helyesen lett felszerelve és biztonságosan rögzítve van.
- Győződjön meg arról, hogy minden védőelem, terelőelem, fogantyú, csavar és rögzítőelem megfelelően, erősen rögzítve van.
- Ne alakítsa át a terméket semmilyen módon. Ez fokozza annak veszélyét, hogy megsebzí saját magát vagy valaki mást.
- A vágófejhez csak a gyártó csereszálait használja. Ne használjon semmilyen más vágó szerelvényt.
- Soha ne működtesse a terméket anélkül, hogy a vágókészülék védőeleme ne lenne jó állapotban a helyén.

- Vágás közben mindkét fogantyút tartsa erősen. A damilfejet tartsa derékmagasság alatt. Ne vágjon a vágófejjel 76 cm-rel a talajszint fölött vagy magasabban.

#### **BIZTONSÁGI FIGYELMEZTETÉSEK A**

- A fenti szabályokon kívül ezek a további utasítások helyénvalók, mikor a terméket bozótívágó üzemmódban használja.
- A vágótárcsák fel- vagy leszerelésekor erős munkakesztyűt használjon, mert éles a szélük.
- Ne próbálja forgás közben megérinteni vagy megállítani a kést.
- A mozgó vágótárcsa súlyos sérülést okozhat. A terméket két kézzel tartsa megfelelő ellenőrzés alatt, amíg a vágótárcsa forgása teljesen le nem állt.
- A sérült késeket cserélje ki. Használat előtt mindig ellenőrizze, hogy a vágókés megfelelően fel van szerelve és erősen rögzítve van.
- Csak a gyártó Tri-Arc™ cserekését használja. Ne használjon semmilyen más vágó szerelvényt.
- Ne vágjon 13 mm-nél nagyobb átmérőjű anyagokat.
- Bozótívágója hevederrel rendelkezik. A hevedert gondosan állítsa be, hogy kényelmes legyen, és a terméket a jobb oldalán tartsa.
- Keresse meg a gyorskioldó mechanizmust, és gyakorolja be a használatát, mielőtt elkezdéné használni a gépet. A helyes használat megakadályozhatja a súlyos sérüléseket vészhelyzetben. Ne viseljen további ruházatot a hevederen felül, és ne korlátozza más módon a gyorskioldó mechanizmushoz való hozzáférést.
- A gép tárolásakor vagy szállításkor helyezze fel a késvédő burkolatot a késre. Mindig távolítsa el a késvédő burkolatot a szerszám használata előtt. Ha nincs eltávolítva a késvédő burkolat, akkor kivetődhet, amint a kés elkezd fogorni.
- Figyeljen különösen oda, amikor a kést a termékkel használja. A kés kilökődése egy reakció, ami akkor történhet, amikor a forgó kés olyan tárggyal ütközik, amelyet nem lehet elválni. Az érintkezés a vágókés pillanatnyi megállását okozhatja, és hirtelen „előlki” a gépet az eltalált tárgytól. A reakció elég erős lehet ahhoz, hogy a kezelő elveszítsa a gép fölötti uralmat. A vágókés hirtelen kilökődését okozhatja, ha a kés megakad, belassul vagy megszorul. Ez legtöbbször olyan területeken történik, ahol a vágni kívánt anyag nehezen látható.
- A könnyű és biztonságos vágás érdekében, jobbról balra mozogva közelítse meg a vágandó gazt. Abban az esetben, ha hirtelen egy tárggyal vagy fadarabbal találkozik, ezzel minimalizálhatja a kés kilökődésének reakcióját. Mindig mindkét kezét használja a termék irányításához.

#### **ÖSSZESZERELÉS**

##### **KICSOMAGOLÁS**

Lásd 181-182. oldal.

A termék összeszerelést igényel.

- Óvatosan vegye ki a gépet és a kiegészítőket a dobozból. Ellenőrizze, hogy a rakjegyzékben szereplő összes tétel megvan.
- Figyelmesen vizsgálja át a gépet, és bizonyosodjon meg róla, hogy a szállítás során nem tört el és nem sérült meg semmi.

#### ▲ FIGYELMEZTETÉS

Ha bármilyen alkatrész megsérült vagy hiányzik, addig ne működtesse a terméket, amíg nem pótolta azokat. Ezen figyelmeztetés figyelmen kívül hagyása súlyos személyi sérülést eredményezhet.

#### A SZÍJ AKASZTÓJÁNAK BEÁLLÍTÁSA

Lásd 185/189. oldal.

Állítsa be a szíj akasztóját kényelmes és kiegyensúlyozott helyzetbe, hogy a vágótárcsa vagy a vágóeszköz a talaj szintje felett 100 mm és 300 mm közötti magasságban legyen.

#### A HEVEDER HASZNÁLATA

Lásd 185/189. oldal.

**MEGJEGYZÉS:** Mindig használja a hevedert a termékkel együtt.

**MEGJEGYZÉS:** Hirtelen húzza meg a gyorskioldó fület, hogy a terméket gyorsan leoldja a hevederről.

#### A REELEASE™ KASZÁLÓFEJ ÉS A TRI-ARC™ VÁGÓ-TÁRCSA HASZNÁLATA

- Amikor a ReelEasy™ kaszálófejet használja, a fűterelőt a vágótárcsa védőelemhez kell csatlakoztatni. (Lásd 203. oldal).
- A Tri-Arc™ kés használatakor a fűterelőt le kell szerelni a késvédőről. (Lásd 202. oldal).

#### ▲ FIGYELMEZTETÉS

A motor beindítása előtt mindig vegye ki a hajtótengelyt rögzítő csapszeget (lásd: oldal 185, 4. lépés)

#### HASZNÁLAT

#### ÜZEMANYAG ÉS A TARTÁLY FELTÖLTÉSE

Lásd 184. oldal.

- Mindig körültekintően kezelje az üzemanyagot, nagyon gyúlékony.
- A szerszámban kétütemű motor van, mely benzin és kétütemű olaj keverék üzemanyagával működik. Az ólommentes benzint és a kétütemű olajat egy olyan tiszta, homologizált benzintartályban keverje össze, melyet erre a célra gyártottak és hagytak jóvá.
- A motor 91-es (IR + M)/2) vagy magasabb oktánszámú ólommentes motorbenzinnel működik.
- Ne használjon semmiféle, a benzinkutakon kapható előkevert üzemanyagot.
- Kizárólag kétütemű motorokhoz való szintetikus olajat használjon. Ne használjon gépkocsikhoz való olajat, vagy 2-ütemű csónakmotorhoz való olajat.
- A benzinhoz 2% szintetikus 2-ütemű olajat adjon. Ily

módon 50:1 arányú keveréket kap.

- Alaposan keverje meg az üzemanyagot minden egyes feltöltés előtt.
- A benzint kis mennyiségben keverje. Ne készítsen elő üzemanyagot több mint egy hónapra. Előírás szerint kétütemű szintetikus motorolaj használata kötelező, mely üzemanyag-stabilizáló adalékot tartalmaz.

#### A TARTÁLY FELTÖLTÉSE

- Törölje le a tartályt a benzinsapka körül, ily módon az üzemanyag nem szennyeződik be.
- Lassan csavarja le az üzemanyag tartály sapkáját, hogy a nyomáskülönbség kiegyenlítődjön, és ne folyjon benzin a sapka köré.
- Óvatosan öntse a keverék üzemanyagot a tartályba. Hogy ne folyjon mellé.
- Mielőtt a sapkát visszacsavarárná, törölje le a tömítést és bizonyosodjon meg arról, hogy jó állapotban van.
- Azonnal helyezze vissza a tartályra a sapkát és jól szorítsa meg. Törölje le a kifolyt benzint. Menjen 9 m (30 láb) távolságra az újratöltés helyétől a motor beindítása előtt.

#### A MOTOR INDÍTÁSA ÖNINDÍTÓVAL (EXTRA TARTOZÉK):

Lásd 196 - 201. ábrá.

#### ▲ FIGYELMEZTETÉS

Csak a Ryobi OES18 önindítót használja. Bármilyen más önindító használata kárt okozhat a motorban, és súlyos személyi sérülést okozhat.

#### ▲ FIGYELMEZTETÉS

Mielőtt az önindítót használja a termék elindításához, olvassa végig és érte meg az OES18 önindító üzemeltetési kézikönyvét a helytelen működtetés és a súlyos személyi sérülés elkerüléséhez.

- Bal kezével fogja meg a szigetelt tengelyt, jobb kezével tegye az indítófej tengelyt a motoron lévő tengelylyukhoz. Különben a motor nem indul el.
- Győződjön meg arról, hogy az indítófej megfelelően összekapcsolódott.

**MEGJEGYZÉS:** Az önindító biztonsági retesszel rendelkezik. Ne tartsa lenyomva a kapcsológombot, mikor az önindítót a motoron lévő tengelylyukba helyezi. Az indító nem forog, ha az önindító nem kapcsolódott össze megfelelően.

#### A FÚKASZA MŰKÖDTETÉSE

Lásd 189. oldal.

**RBC31SESO:** Tartsa a terméket úgy, hogy a jobb keze a hátsó karon, a bal pedig az előlő karon van.

**RBC31SBO:** A terméket jobb kézzel a kioldófogantyút, bal kézzel pedig a bal fogantyút fogva tartsa.

- Használat közben erősen fogja a fogantyúkat mindkét kezével.
- A terméket kényelmes helyzetben kell tartani úgy, hogy

a kioldófogantyú csípőmagasságban legyen.

- A terméket mindig teljes fordulatszámra működtesse. Ha a vágás hosszabb ideig félgázalal történik, akkor a hangtompítóból szivároghat az olaj.
- A magas fűvet fentről lefelé haladva nyírja, hogy a fű ne tekeredjen fel a tengely burkolata és a vágófej köre, ami a túlhevülés miatt károsodáshoz vezethet.
- Ha a fű vagy törmelék tekeredik fel a vágóelemekre, állítsa le a motort. Az éles pengék által okozott sérülések elkerüléséhez viseljen ellenálló munkakesztyűt és óvatosan távolítsa el a törmeléket.
- Ne nyomja be a levágandó fűbe. A gépet egyik oldalról a másikra mozgassa. Minden lendítés után menjen egy kicsit előre.
- A terméket a vágandó terület felé megdöntve tartsa.
- Ne használja veszélyes környezetben.
- A vágáshoz a szál végét használja, ne erőltesse a vágófejet a még nem levágott fűbe.
- A drótok és léckerítések a vágószál túlzott elhasználódását okozzák, sőt akár el is szakíthatják. A kő- és téglafalak, szegélyek és fák a vágószál gyors elhasználódását okozzák.
- Kerülje el a fákat és a bokrokat. A fák kérgét, a fa léceket, burkolatokat és kerítésoszlopokat a vágószál könnyen károsíthatja.

#### A BOZÓTVÁGÓ HASZNÁLATA

Lásd 192. oldal.

A visszarúgás kockázatát így csökkentheti: Ne nyomja be a levágandó anyagba. Állandó lendülettel mozgassa a gépet jobbról balra. Minden új lendítés elején menjen egy kicsit előre.

**RBC31SESO:** Tartsa a terméket úgy, hogy a jobb keze a hátsó karon, a bal pedig az első karon van.

**RBC31SBO:** A terméket jobb kézzel a kioldófogantyút, bal kézzel pedig a bal fogantyút fogva tartsa.

- A terméket kényelmes helyzetben kell tartani úgy, hogy a kioldófogantyú csípőmagasságban legyen.
- Fogja erősen a szerszámot, és figyeljen oda az egyensúlyra. Olyan testtartást vegyen fel, hogy ne veszítse el az egyensúlyát a vágókés visszarúgási reakciója esetén.
- Állítsa be a szíjakasztót egy kényelmes pozícióba.
- Figyeljen különösen oda, amikor a kés a termékkel használja. A kés kilökődése egy reakció, ami akkor történhet, amikor a forgó kés olyan tárggyal ütközik, amelyet nem lehet elvágni. Az érintkezés a vágókés pillanatnyi megállását okozhatja, és hirtelen „ellöki” a gépet az eltalált tárgytól. A reakció elég erős lehet ahhoz, hogy a kezelő elveszítse a gép fölötti uralmat. A vágókés hirtelen kilökődését okozhatja, ha a kés megakad, belassul vagy megszorul. Ez legtöbbször olyan területeken történik, ahol a vágni kívánt anyag nehezen látható. A könnyű és biztonságos vágás érdekében, jobbról balra mozogva közelítse meg a vágandó gázt. **Abban az esetben, ha hirtelen egy tárggyal vagy fadarabbal találkozik, ezzel minimalizálhatja a kés kilökődésének reakcióját.**

#### SZÁLLÍTÁS ÉS TÁROLÁS

- Szállítás és tárolás előtt állítsa le és hagyja lehűlni a terméket.
- Minden idegen anyagtól tisztítsa meg a terméket.
- Ha a vágótárcsa fel van szerelve, védje azt tárcsavédő kupakkal.
- Öntse az üzemanyagtartályban található összes benzint egy homologizált benzines marmonkannába. Ne feledje helyesen visszarakni és meghúzni az üzemanyagsapkát.
- Járassa a motort, amíg le nem áll. Így eltávolítja az összes üzemanyagot, ami egy idő után beszáradna és lakk, illetve ragacsréteget hagyna maga után az üzemanyagrendszerben.
- Hűvös, száraz és jól szellőztetett, gyerekektől elzárt helyiségben tárolja. Ne tárolja olyan oxidálószerrel közelében, mint pl. kerti munkáknál használatos vegyszerek vagy jégmentesítő sók. Ne tárolja a szabadban.
- Szállításkor rögzítse a terméket elmozdulás és leesés ellen, hogy elkerülje a sérüléseket és a termék sérülését.
- Ne szállítsa a terméket működő állapotban.
- Az üzemanyag tárolása és kezelése tekintetében lásd a megfelelő országos és helyi rendeleteket. A megmaradt üzemanyagot egy másik kétütemű motorral működő szerszámban felhasználhatja.

#### RÖVIDTÁVÚ

- Tárolás előtt állítsa le a motort és várjon, míg lehül.
- Minden idegen anyagtól tisztítsa meg a terméket.
- Hűvös, száraz és jól szellőztetett, gyerekektől elzárt helyiségben tárolja.
- Ne tárolja olyan oxidálószerrel közelében, mint pl. kerti munkáknál használatos vegyszerek vagy jégmentesítő sók.
- Ne tárolja a szabadban.

#### KARBANTARTÁS

##### ▲ FIGYELMEZTETÉS

Csak a gyártó eredeti cserealkatrészeit, tartozékait és szerelékeit használja. Ennek figyelmen kívül hagyása gyenge motorlejítményt, esetleges sérülést és a jótállás elvesztését okozhatja.

##### ▲ FIGYELMEZTETÉS

A vágószereléknek alapjáraton üzem módban nem szabad forognia. Forgása esetén be kell állítani a tengelykapcsolót vagy a gép sürgős karbantartást igényel, amit egy képzett szakember végezhet el.

### ▲ FIGYELMEZTETÉS

A szivárgó üzemanyagtartály-fedél tűzveszélyes és azonnal ki kell cserélni.

### ▲ FIGYELMEZTETÉS

Ne feledje, hogy a tárcsa anyája önzáró, így csak egyetlen alkalommal használható a felszereléshez. Ne használja fel az önzáró anyát újra. Fel-/leszereléskor új önzáró anyát használjon. Bármely előírás be nem tartása súlyos testi sérüléssel járó balesetet vonhat maga után.

### ▲ FIGYELMEZTETÉS

A vágótárcsa felszerelésekor győződjön meg arról, hogy a csavar meghúzási nyomatéka  $\geq 25\text{Nm}$ . Bármely előírás be nem tartása súlyos testi sérüléssel járó balesetet vonhat maga után. (lásd: oldal 202, 4. lépés)

- Minding állítsa le a motort és hagyja lehűlni, mielőtt bármilyen karbantartási műveletbe kezd.
- A használati útmutatóban leírt beállításokat és javításokat Ön is elvégezheti. Az egyéb javításokat a gépen egy hivatalos szervizben kell elvégeztetni.
- A helytelen karbantartás következményeként fellépő túlzott koromlerakódás teljesítménycsökkenést eredményezhet, és fekete olajmaradék csöpöghet a hangtompítóból.
- Csere vágószálként csak a jelen kézikönyvben a műszaki adatoknál megadott átmérőjű nejlón vágószálat használjon.
- Új vágószál kihúzását követően a beindítás előtt mindig állítsa vissza a terméket a normális működési állásba. Minden egyes használat után egy puha, száraz ruhával tisztítsa meg a terméket.
- A személyi sérülések elkerülése érdekében ügyeljen rá, hogy minden védőburkolat, pánt, terelőlemez és fogantyú megfelelően fel legyen szerelve és rögzítve legyen.

### KARBANTARTÁSI ÜTEMTERV

Ellenőrizze, hogy a rögzítőelemet teljesen meghúzta-e	Minden használat előtt
Nézzé meg: A vágószereknek alapjáratú üzemmódban nem szabad forognia. <sup>2</sup>	Minden használat előtt
Az üzemanyagtöltő ellenőrzése	Minden használat előtt
Az összes tömlőcsatlakoztatás ellenőrzése	Minden használat előtt

Az üzemanyagtartály és -szűrő megtisztítása <sup>1</sup>	3 havonta vagy 50 óra üzemeltetés után
Üzemanyagszűrő cseréje <sup>1</sup>	Évente vagy 300 óra üzemeltetés után
Ellenőrizze a tanksapkát vagy az üzemanyagtartály gőzszelapét (ha van ilyen), hogy nem szivárog-e	Minden használat előtt
Tisztítsa meg a légszűrőt.	25 üzemóránként
A légszűrők cseréje	Évente vagy 300 óra üzemeltetés után
Tisztítsa meg vagy állítsa be a gyújtógyertyát	6 havonta vagy 100 óra üzemeltetés után
Üzemanyagszűrő cseréje	Évente vagy 300 óra üzemeltetés után
Szikrafogó tisztítása	25 üzemóránként
Helyezzen fel egy új szikrafogót.	Évente vagy 300 óra üzemeltetés után
A kipufogónyílás és a hangtompító tisztítása	25 üzemóránként

<sup>1</sup> Ezeket csak hivatalos szervizközpont végezheti.

<sup>2</sup> Ha ezt a követelményt nem teljesíti, javításhoz vagy beállításához lépjen kapcsolatba egy hivatalos szervizközpontal.

### FENNMARADÓ KOCKAZAT

Még a termék rendeltetésszerű használata esetén sem lehet teljesen kiküszöbölni minden kockázati tényezőt. A gép használata során a következő veszélyek merülhetnek fel, és a kezelőnek különösen oda kell figyelnie az alábbiak elkerülésére:

- A vágóeszközökkel való érintkezés.
  - Győződjön meg arról, hogy a késvédők a helyükön vannak, amikor a terméket nem használja. A kezét és a lábát mindig tartsa távol a késektől.
- A vibráció sérüléseket okozhat.
  - Mindig a munkához megfelelő célszerszámot használja, használja a gépre szerelt fogantyúkat, és korlátozza a munkaidőt és a vibrációnak való kitettséget.
- A zajnak való kitettség halláskárosodást okoz.
  - Viseljen hallásvédőt és korlátozza a zajnak való kitettséget.
- A repülő hulladék okozta szemsérülés.
  - Mindig viseljen szemvédőt.
- Leeső tárgyak veszélye
  - Viseljen fejdédőt, ha leeső tárgyak bármilyen veszélyt látja.

A bozótívágó használatakor visszarúgás történhet. Biztosítsa a megfelelő ellenőrzést azáltal, hogy mindkét kezével megfogja a kijelölt fogantyúkat. A visszarúgás kockázatának csökkentéséhez olvassa el a kézikönyv vonatkozó szülő részét és kövesse az ott leírtakat.

EN  
FR  
DE  
ES  
IT  
NL  
PT  
DA  
SV  
FI  
NO  
RU  
PL  
CS  
HU  
RO  
LV  
LT  
ET  
HR  
SL  
SK  
BG  
UK  
TR

## KOCKÁZATCSÖKKENTÉS

Arról számoltak be, hogy a kéziszerszámok használata során fellépő vibráció bizonyos személyeknél hozzájárulhat az úgynevezett Raynaud-szindróma (Raynaud's Syndrome) nevű állapot kialakulásához. A tünetei lehetnek: az ujjak zsibbadása, elfehéredése, szúrások érzése, amelyek hidegnek kitéve gyakran felerősödnek. Az örökítő tényezők, a hidegnek kitettség és verejtékezés, a diéta, a dohányzás és munka közben alkalmazott fogások valószínűleg mind hozzájárulhatnak ezen tünetek megjelenéséhez. A vibráció hatásainak csökkentése érdekében a kezelőnek be kell tartani az alábbi óvintézkedéseket:

- Hideg időben tartsa melegen a testét. A termék használatakor viseljen kesztyűt a kéz és a csukló melegen tartásához. Arról számoltak be, hogy a hideg időjárásnak fontos szerepe van a Raynaud-szindróma kialakulásában.
- Bizonyos időtartamú használat után mindig végezzen gyakorlatokat a vérkeringés javításához.
- A gép beindítása előtt ellenőrizze, hogy a gép megfelelően, az előírt működési pozícióba van beállítva.
- Korlátozza a napi munkaidőt. Gyakran tartson munkaszünetet.

Ha ezen állapot bármelyik tünetét tapasztalja, azonnal hagyja abba a munkát, és tájékoztassa az orvosát a tünetekről.

## ▲ FIGYELMEZTETÉS

Hosszabb használat sérülést okozhat. Ha a gépet hosszú időn át kell használnia, tartson gyakran szünetet.

## ISMERJE MEG A TERMÉKET

1. Berántó-zsinór fogantyúja
2. Üzemanyagtartály fedele
3. RBC31SBO: Kormányfogantyú
4. RBC31SBO: Hajtótengely
5. Késvédő
6. Fűterelő
7. Műanyag anya
8. Vágótárcsa alátét
9. Csésze alakú alátét
10. Vágókés védőburkolata
11. Tri-Arc™ kés
12. Felső rugófej háza
13. Orsó
14. Ütköző gomb
15. Alsó rugófej háza
16. Vágószál
17. RBC31SBO: Gázkar resetz
18. RBC31SBO: Ravasz (gázadagoló gomb)
19. Gyújtáskapcsoló
20. RBC31SBO: Gázrögzítő
21. Szíj akasztó
22. RBC31SESO: Alsó tengely
23. RBC31SESO: Gomb

24. RBC31SESO: Felső tengely
25. RBC31SESO: Elülös fogantyú
26. RBC31SESO: Ravasz (gázadagoló gomb)
27. RBC31SESO: Gázrögzítő

## SZIMBÓLUMOK A TERMÉKEN



Biztonsági figyelmeztetés



A termék használata előtt olvassa el és értse meg a kezelési útmutatóban leírtakat, és tartsa be az összes figyelmeztető és biztonsági utasítást.



Viseljen szem-, fül- és fejdédőt.



A termék használata közben csúszásmentes biztonsági lábbelit viseljen.



Viseljen nem csúszós, nehéz igénybevételre tervezett kesztyűt.



Figyeljen a kivetett vagy repülő tárgyakra. Az összes nézelődő, különösen a gyerekek és a háziállatok, legyenek legalább 15 m-es távolságra a használati területtől.



Ez a termék nem alkalmas a fogazott fűrész típusú vágókéssel való használatra.



A sérülés vagy károsodás kockázatának elkerülése érdekében kerülje a forró felületekkel való érintkezést.



Tartsa a kezeit távol a késektől.



Garantált hangteljesítményszint



Be pozíció



Állítsa a fojtókart „FULL” (TELJES) fojtás állásba.



Állítsa a fojtókart „HALF” (FÉL) fojtás állásba.



Várakozási idő 10 másodpercig



ÜZEMANYAG BEFECSKENDEZÉS  
Nyomja meg az adagolószivattyú gombját 10-szer.



Húzza meg az indítózsinórt



Húzza meg a gázkart a beindításhoz/ felpörgetéshez.



Rögzítse a helyére a gázkart a gázrekesztő gomb lenyomásával.



Használjon 91-es ([R + M]/2) vagy ennél magasabb oktánszámú ólommentes motorbenzint.



2 ütemű léghűtéses motorhoz való olajat használjon.



Minden betöltés előtt jól rázza össze az üzemanyagot.



A hideg motor kézi indítása:



A meleg motor kézi indítása:



A hideg motor indítása önindítóval:



A meleg motor indításához önindítóval:



Egyenes tengely szimbólum: Amikor a szálorsó fel van szerelve a vágóeszközhöz, ennek a szimbólumnak a kezelő számára láthatónak kell lennie.



A Tri-Arc™ vágótárcsa használható ezzel a termékkel, és lágyszárú gyom- és kúszónövényekhez készült.



A vágótárcsa visszalökődhet.



A vágószerelék tengelyének forgási iránya és maximális fordulatszáma.



Húzza meg Gyorskioldó fül



Ez a szerszám minden, a vásárlás európai uniós országában hatályos szabványnak megfelel.



Eurázsiai megfelelési jelzés



Ukrainai megfelelési nyilatkozat

Egy potenciálisan veszélyes helyzetet jelez, ami, ha nem előzik meg, kisebb vagy mérsékelt sérülést eredményezhet.

#### FIGYELEMFELHÍVÁS

Biztonsági figyelmeztető szimbólum nélkül

Egy olyan helyzetet jelez, ami anyagi kárt eredményezhet.

#### A KÉZIKÖNYVBEN HASZNÁLT SZIMBÓLUMOK



Megjegyzés



Figyelem

EN  
FR  
DE  
ES  
IT  
NL  
PT  
DA  
SV  
FI  
NO  
RU  
PL  
CS  
HU  
RO  
LV  
LT  
ET  
HR  
SL  
SK  
BG  
UK  
TR

A következő jelölőszavak és jelentések arra szolgálnak, hogy megmagyarázzák a termékkel kapcsolatos veszélyességi szinteket.

#### ⚠ VESZÉLY

Egy bekövetkező veszélyes helyzetet jelez, ami, ha nem előzik meg, halált vagy komoly sérülést eredményez.

#### ⚠ FIGYELMEZTETÉS

Egy potenciálisan bekövetkező veszélyes helyzetet jelez, amit, ha nem előznek meg, halált vagy komoly sérülést eredményezhet.

#### ⚠ FIGYELEMFELHÍVÁS

Siguranța, performanța și fiabilitatea au fost principalele noastre priorități la proiectarea motocoasei pentru arboret/gazon.

### UTILIZARE PREVĂZUTĂ

Motocoasa pentru tuns arboret/gazon poate fi utilizată doar de persoane adulte care au citit și au înțeles instrucțiunile și avertismentele din acest manual și pot fi considerate responsabile pentru acțiunile proprii. Produsul este proiectat să fie folosit doar în mediu exterior și în zonă bine aerisită. Din motive de siguranță, produsul trebuie manevrat corespunzător, cu ambele mâini.

Atunci când este echipat cu capul de tuns gazonul (și protecția corespunzătoare acestuia), produsul este destinat tăierii ierbii cu firul lung, a buruienilor și a altui tip similar de vegetație la nivelul solului sau aproape de acesta. Atunci când este echipat cu lama Tri-Arc™ (și protecția corespunzătoare acesteia), produsul poate tăia și arboret. Produsul nu este conceput pentru a funcționa cu o lamă de fierăstrău.

Planul de tăiere trebuie să fie aproximativ paralel cu suprafața solului. Produsul nu trebuie utilizat pentru a tăia sau a tunde garduri vii, tufișuri sau altă vegetație în care planul de tăiere nu este paralel cu suprafața solului.

Nu folosiți în alte scopuri.

### ⚠️ AVERTISMENT

Pentru a reduce riscul vătămării, utilizatorul trebuie să citească și să înțeleagă manualul de utilizare.

### ⚠️ AVERTISMENT

Nu încercați să utilizați produsul înainte de a citi cu atenție și a înțelege complet toate instrucțiunile și regulile de siguranță conținute în acest manual. Nerespectarea poate cauza accidente care implică electrocutarea, incendiul, și / sau vătămări corporale grave. Păstrați acest manual de utilizare și consultați-l frecvent pentru o funcționare constantă în condiții de siguranță și pentru a-i instrui pe alți potențiali utilizatori ai acestui produs.

### ⚠️ AVERTISMENT

Produsul nu este destinat a fi folosit de către copii sau persoane cu capacități fizice, mintale sau senzoriale reduce. Copiii trebuie să fie supravegheați adecvat pentru a vă asigura că nu se joacă cu produsul.

### AVERTISMENTE GENERALE PRIVIND SIGURANȚA

- Pentru utilizare în siguranță, citiți și înțelegeți toate instrucțiunile înainte de a utiliza produsul. Urmați toate instrucțiunile de siguranță. Nerespectarea uneia dintre aceste măsuri poate provoca răni corporale grave.
- Anumite regiuni au reglementări ce restricționează folosirea produsului. Pentru sfaturi întrebați autoritățile dvs. locale.
- Nu permiteți copiilor sau persoanele fără experiență să utilizeze acest produs.

- Nu porniți sau lăsați motorul să funcționeze în interiorul unei zone închise sau slab ventilate; respirarea gazelor de eșapament poate cauza moartea.
- Eliberați zona de lucru înainte de fiecare utilizare. Îndepărtați toate obiectele (pietre, cioburi, cuie, sârmă, soară) care se pot încurca sau pot fi proiectate de capul tăietor (cu fir sau cu lamă).
- Purtați protecție completă a ochilor și urechilor în timpul operării produsului. Dacă în zona de lucru există riscul căderii de obiecte, trebuie purtată protecție a capului.
- Protecția pentru auz ar putea restricționa capacitatea operatorului de a auzi sunetele de avertizare. Acordați atenție specială potențialelor pericole din jurul sau din interiorul zonei de lucru.
- Purtați pantaloni lungi, încălțăminte de protecție nederapantă și mănuși. Nu purtați haine largi, pantaloni scurți, bijuterii de niciun fel sau să fiți desculț.
- Strângeți părul lung mai sus de nivelul umierilor pentru a preveni prinderea în orice piese în mișcare.
- Țineți trecătorii, copii și animalele de companie la o distanță de cel puțin 15 m. Opriți produsul dacă cineva intră în zonă.
- Nu operați acest produs atunci când sunteți obosit, bolnav sau sub influența alcoolului, drogurilor sau a medicamentelor.
- Nu utilizați în condiții de iluminare necorespunzătoare. Operatorul trebuie să aibă o vedere clară neobstrucționată pentru a putea identifica potențialele pericole.
- În timpul operării dispozitivului, păstrați-vă în permanență echilibrul și stabilitatea. Nu vă aplecați excesiv. Întinderea corpului poate cauza pierderea echilibrului sau expunerea la suprafețe fierbinți.
- Țineți toate părțile corpului la distanță de orice piesă în mișcare.
- Nu atingeți zonele din jurul evacuării și chiulasei echipamentului, deoarece acestea se încălzesc puternic în timpul funcționării.
- Opriți întotdeauna motorul și permiteți-i să se răcească înainte de a face reglaje.
- Nu fumați când amestecați combustibilul sau când umpleți rezervorul de combustibil.
- Amestecați și depozitați combustibilul într-un container aprobat pentru combustibil.
- Amestecați carburantul în aer liber, departe de orice scântee sau flacără. Ștergeți carburantul vărsat. Mutați-vă la 9 metri de locul de alimentare cu combustibil înainte de a porni motorul.
- Opriți motorul și permiteți ca produsul să se răcească înainte de a-l realimenta.
- Lăsați motorul să se răcească; goliiți rezervorul de combustibil și asigurați unitatea împotriva deplasării înainte de transportul într-un vehicul.
- Opriți motorul întotdeauna și asigurați-vă că toate părțile în mișcare s-au oprit înainte de:
  - revizia
  - lăsarea produsului fără supraveghere
  - curățarea produsului



- schimbarea accesoriilor
- eliminarea blocajelor
- verificare pentru orice daune după lovirea unui obiect
- verificare pentru orice daune în cazul în care produsul începe să vibreze anormal
- efectuarea întreținerii
- demontarea lamei
- instalarea lamei

#### ▲ AVERTISMENT

Nu utilizați niciodată instrumente sau accesorii tăioase nespecificate de Ryobi în acest manual. Acestea includ și lanțurile pivotante multi-piesă și lamele tăietoare pentru motocostoare. Aceste elemente pot ceda în timpul utilizării și prezintă riscuri de accidentare semnificative pentru operator și persoanele din apropiere.

#### ▲ AVERTISMENT

Inspeția după cădere sau alte impacturi  
 Inspectați amănunțit produsul și identificați orice defecțiuni sau pagube ale acestuia. Orice piesă deteriorată trebuie să fie reparată în mod corespunzător sau înlocuită de un service autorizat.

#### AVERTISMENTE DE SIGURANȚĂ PENTRU MOTOCOASA PENTRU GAZON

- Înlocuiți cutia de angrenaje dacă este crăpată, ciobită sau deteriorată în orice fel. Asigurați-vă că capul tăietor este instalat corespunzător și bine fixat. În caz contrar, pot fi cauzate vătămări corporale grave.
- Evitați utilizarea pe iarba umedă.
- Nu pășiți înapoi atunci când folosiți produsul.
- Mergeți. Nu alergați niciodată.
- Lama mică montată pe carcasa de protecție a dispozitivului tăietor este destinată aducerii la lungimea corectă a noului fir tăietor, pentru o performanță optimă și sigură. Aceasta este ascuțită; nu o atingeți cu mâna, mai ales la curățarea produsului.
- Asigurați-vă întotdeauna că deschiderile de ventilație nu sunt acoperite de resturi.
- Înainte de folosire și după fiecare impact, verificați să nu existe părți/piese deteriorate. Examinați cuțitele de tăiere de semne de crăpare sau altă deteriorare. Un întrerupător defect sau orice piesă deteriorată trebuie să fie reparată în mod corespunzător sau înlocuită de un service autorizat.
- Asigurați-vă că este corect instalat și prins fix capul accesoriului.
- Asigurați-vă că toate protecțiile, deflectoarele, mânerurile, șuruburile și elementele de fixare sunt atașate sigur și corespunzător.
- Nu modificați produsul în niciun mod. În caz contrar poate rezulta rănirea gravă a dvs. și a altor persoane din jur.
- Utilizați doar firul recomandat de producător pentru

capul de tăiere. Nu folosiți niciun alt accesoriu de tăiere.

- Nu utilizați produsul fără carcasa de protecție a dispozitivului tăietor montată și în stare bună.
- Țineți ferm de ambele mâner de manevrare în timpul utilizării. Păstrați capul tăietor sub nivelul taliei. Nu tăiați niciodată cu capul de tăiere cu fir aflat la 76 cm sau mai mult deasupra solului.

#### AVERTISMENTE DE SIGURANȚĂ LA UTILIZAREA MOTOCOASEI

- Pe lângă regulile de mai sus, următoarele instrucțiuni suplimentare sunt aplicabile utilizării produsului cu dispozitivul de tăiat arboret.
- Folosiți mănuși de protecție la schimbarea lamelor tăietoare; acestea au margini ascuțite.
- Nu încercați să atingeți sau să opriti lama când aceasta se rotește.
- O lamă tăietoare în mișcare poate cauza vătămări grave. Mențineți controlul asupra produsului cu ambele mâini până ce lama se oprește complet din rotație.
- Înlocuiți toate lamele deteriorate. Asigurați-vă întotdeauna că lama este instalată corect și fixată strâns înainte de fiecare utilizare.
- Folosiți doar lamă de schimb Tri-Arc™ a producătorului. Nu folosiți niciun alt accesoriu de tăiere.
- Nu tăiați material cu diametrul mai mare de 13 mm.
- Motocoasa dvs. este echipată cu un harnașament. Reglați cu atenție hamul, astfel încât să susțină și să fixeze produsul cu greutatea pe partea dreaptă a corpului.
- Identificați mecanismul de eliberare rapidă și faceți câteva probe înainte de a folosi aparatul. Folosirea corespunzătoare poate preveni vătămarea gravă în cazul unei urgențe. Nu purtați niciodată haine suplimentare peste centură sau în altfel să restricționați accesul la mecanismul de eliberare rapidă.
- Acoperiți lama cu protecția pentru lamă înainte de a depozita unitatea sau în timpul transportului. Întotdeauna îndepărtați dispozitivul de protecție al lamei înainte de a utiliza unitatea. Dacă nu sunt îndepărtate, dispozitivul de protecție al lamei ar putea deveni un obiect ce poate fi aruncat atunci când lama va începe să se rotească.
- Acordați atenție maximă când folosiți lama împreună cu produsul. Rezistența lamei este reacția ce poate avea loc atunci când lama în rotire intră în contact cu ceva ce nu poate tăia. Acest contact poate cauza oprirea lamei pentru un moment, și poate "împinge" brusc unitatea îndepărtând-o de obiectul care a fost lovit. Această reacție poate fi suficient de violentă pentru ca operatorul să piardă controlul asupra unității. Accelerarea lamei poate să apară fără avertisment, dacă lama este împiedicată, se blochează sau se lipește. Acest lucru este mai probabil să se întâmple în zonele unde este dificil de văzut materialul ce vine tăiat.
- Pentru o tăiere ușoară și sigură, apropiați-vă de buștenii ce doriți să le tăiați din partea dreaptă în spre stânga. În cazul în care este întâlnit un obiect neașteptat sau bușten de lemn, acest lucru poate micșora reacția de rezistență a lamei. Întotdeauna trebuie folosite

ambele mâini pentru a controla acest produs.

## MONTARE

### DEZAMBALAREA

Vezi pagina 181-182.

Acest produs necesită asamblare.

- Îndepărtați cu grijă unealta și orice accesorii din cutie. Asigurați-vă că toate elementele enumerate în lista de ambalare sunt incluse.
- Inspectați unealta cu atenție pentru a vă asigura că nici o spargere sau defecțiune nu a survenit în timpul transportului.

### ⚠ AVERTISMENT

Dacă orice piesă este deteriorată sau lipsă nu operați acest produs până când piesele nu sunt înlocuite. Nerespectarea acestei avertizări poate provoca vătămări corporale grave.

### AJUSTAREA PUNCTULUI DE PRINDERE AL HAMULUI

Vezi pagina 185/189.

Ajustați hamul într-o poziție echilibrată și comodă, astfel încât capul tăietor să se afle la o înălțime de 100 - 300 mm deasupra solului.

### UTILIZAREA HAMULUI

Vezi pagina 185/189.

**OBSERVAȚIE:** Purtați întotdeauna harnașamentul atunci când utilizați produsul.

**OBSERVAȚIE:** Pentru a desprinde rapid produsul de harnașament, trageți scurt de siguranța de desprindere rapidă.

### UTILIZAREA CAPULUI PENTRU GAZON REELEASY™ ȘI A LAMEI TRI-ARC™

- Când utilizați capul trimmerului pentru gazon ReelEasy™, deflectorul pentru iarbă trebuie atașat la apărătoarea lamei. (Vezi pagina 203).
- Când folosiți discul Tri-Arc, deflectorul de iarbă trebuie să fie îndepărtat de pe apărătoarea lamei. (Vezi pagina 202).

### ⚠ AVERTISMENT

Îndepărtați întotdeauna siguranța de blocare a axului înainte de a porni motorul (vezi pagina 185, pasul 4)

## UTILIZARE

### CARBURANTUL ȘI UMLEREA REZERVORULUI

Vezi pagina 184.

- Manevrați întotdeauna combustibilul cu grijă, este foarte inflamabil.
- Aparatul funcționează cu un motor în 2 timpi care necesită un amestec de benzină și de ulei în 2 timpi. Amestecați benzina fără plumb și uleiul în 2 timpi într-un recipient curat omologat pentru a conține benzină.
- Motorul funcționează cu benzină fără plumb pentru

vehicule cu o cifră octanică de 91 ((R + M)/2) sau mai mare.

- Nu utilizați amestecurile de benzină/ulei preparate în benzinării.
- Utilizați numai un ulei de sinteză în 2 timpi. Nu folosiți lubrifiante auto sau lubrifiant în 2 timpi pentru motoare suspendate.
- Amestecați 2% lubrifiant pentru motoare în 2 timpi în carburant. Adică într-un raport de 50:1.
- Amestecați bine carburantul înainte de fiecare umplere a rezervorului.
- Amestecați carburantul în cantități mici. Nu pregătiți mai mult decât echivalentul unei luni de utilizare. Vă recomandăm să utilizați un ulei de sinteză în 2 timpi care conține un stabilizator de carburant.

### UMLEREA REZERVORULUI

- Curățați rezervorul în jurul bușonului pentru a evita orice contaminare a carburantului.
- Deșurubați încet bușonul rezervorului pentru a elibera presiunea și pentru a evita scurgerea carburantului pe lângă bușon.
- Turnați cu atenție amestecul de carburant în rezervor. Evitând vărsarea acestuia.
- Înainte de a înșuruba bușonul, curățați garnitura și asigurați-vă că aceasta este în bună stare.
- Puneți imediat la loc bușonul rezervorului și strângeți-l bine. Ștergeți carburantul vărsat. Îndepărtați-vă 9 m (30 ft) de zona de alimentare înainte de a porni motorul.

### PORNIREA MOTORULUI UTILIZÂND UN DEMAROR ELECTRIC (OPTIONAL):

Vezi pagina 196-201.

### ⚠ AVERTISMENT

Folosiți numai demarorul electric Ryobi OES18. Utilizarea altui tip de demaror poate duce la defectarea motorului și la vătămări personale grave.

### ⚠ AVERTISMENT

Înainte de utilizarea demarorului electric, vă rugăm să citiți și să înțelegeți în totalitate manualul de utilizare al demarorului electric OES18, pentru a evita manevrarea necorespunzătoare și riscurile de accidentare.

- Țineți axul izolat cu mâna stângă și utilizați mâna dreaptă pentru a introduce bitul în orificiul pentru demaror de pe motor. În caz contrar, motorul nu va porni.
- Asigurați-vă că bolțul de angrenare este cuplat corespunzător.

**OBSERVAȚIE:** Demarorul electric este echipat cu un mecanism de blocare de siguranță. Nu țineți apăsat pe comutatorul de pornire atunci când introduceți bolțul de angrenare în locașul din motor. Demarorul nu se va roti dacă nu este cuplat corespunzător.



## UTILIZAREA TRIMMERULUI PENTRU GAZON

Vezi pagina 189.

**RBC31SESO:** Țineți echipamentul cu mâna dreaptă de mânerul din spate și cu mâna stângă de mânerul din față.

**RBC31SBO:** Țineți produsul cu mâna dreaptă pe mânerul cu trăgaci și mâna stângă pe mânerul din stânga.

- Prindeți ferm cu ambele mâini în timpul funcționării.
- Produsul trebuie ținut într-o poziție comodă cu mânerul cu trăgaci deasupra șoldului.
- Operați întotdeauna produsul la capacitate maximă. Tăierea prelungită la capacitate parțială va rezulta în picurarea din amortizorul de zgomot.
- Tăiați iarba înaltă de sus în jos pentru a preveni înfășurarea ierbii în jurul carcasei coloanei și a capului de tăiere fapt ce ar putea cauza deteriorarea datorită supraîncălzirii.
- Dacă accesoriul tăietor este blocat de reziduuri vegetale sau de alt tip, opriți motorul. Purtați mănuși de lucru pentru a preveni accidentările și îndepărtați reziduurile.
- Nu forțați tăierea ierbii prin avansare. Efectuați mișcări dintr-o parte în alta. Faceți un mic pas înainte la fiecare trecere a motocoasei.
- Țineți produsul înclinat înspre zona ce vine tăiată.
- Nu utilizați în medii periculoase.
- Folosiți pentru tăiere vârful firului, nu forțați capul cu fir să intre în iarba netăiată.
- Gardurile din sârmă și țărșii pot cauza extra uzură a firului, și chiar ruperea lui. Pietrele, zidurile din cărămidă, bordurile și lemnul ar putea uza rapid firul.
- Evitați copacii și tufărișii. Scoarța copacilor, piesele din lemn, suprafețele metalice și stâlpii gardurilor pot fi cu ușurință deteriorați de fir.

## OPERAREA MAȘINII DE TĂIAT TUFĂRIȘ

Vezi pagina 192.

Pentru a reduce riscul de recul / mișcări bruște: Nu forțați tăierea ierbii prin avansare. Efectuați mișcări de balans de la dreapta la stânga. Faceți un mic pas înainte la fiecare trecere a motocoasei.

**RBC31SESO:** Țineți echipamentul cu mâna dreaptă de mânerul din spate și cu mâna stângă de mânerul din față.

**RBC31SBO:** Țineți produsul cu mâna dreaptă pe mânerul cu trăgaci și mâna stângă pe mânerul din stânga.

- Produsul trebuie ținut într-o poziție comodă cu mânerul cu trăgaci deasupra șoldului.
- Țineți strâns și echilibrați-vă pe ambele picioare. Poziționați-vă astfel încât să nu fiți dezechilibrat de reculul lamei de tăiere.
- Reglați dispozitivul de atașare la centură într-o poziție confortabilă.
- Acordați atenție maximă când folosiți lama împreună cu produsul. Rezistența lamei este reacția ce poate avea loc atunci când lama în rotire intră în contact cu ceva ce nu poate tăia. Acest contact poate cauza oprirea lamei pentru un moment, și poate "împinge" brusc unitatea îndepărtând-o de obiectul care a fost lovit. Această reacție poate fi suficient de violentă pentru ca operatorul să piardă controlul asupra unității. Accelerarea lamei

poate să apară fără avertisment, dacă lama este împiedicată, se blochează sau se lipește. Acest lucru este mai probabil să se întâmple în zonele unde este dificil de văzut materialul ce vine tăiat. Pentru o tăiere ușoară și sigură, apropiați-vă de buruienile ce doriți să le tăiați din partea dreaptă înspre stânga. **În cazul în care este întâlnit un obiect neașteptat sau buștean de lemn, acest lucru poate micșora reacția de rezistență a lamei.**

## TRANSPORTAREA ȘI DEPOZITAREA

- Opriți produsul și lăsați-l să se răcească înainte de a-l depozita sau transporta.
- Curățați toate materialele străine din produs.
- Dacă este montată o lamă tăietoare, acoperiți-o cu capacul de protecție.
- Turnați tot carburantul rămas în rezervor într-o canistră omologată pentru păstrarea benzinei. Repoziționați și strângeți bine capacul rezervorului de combustibil.
- Porniți motorul până când acesta se oprește singur. Prin această operație se va îndepărta tot combustibilul care, cu timpul, ar putea colmata conductele de alimentare cu lacuri și alte depuneri.
- Depozitați-l într-un loc răcoros, uscat și bine aerisit ce este inaccesibil copiilor. Nu-l depozitați în apropiere de agenți corozivi cum ar fi produși chimici de grădinarit sau săruri antifeng.
- Pentru transportare, fixați produsul împotriva mișcării sau căderii pentru a preveni vătămarea persoanelor sau deteriorarea produsului.
- Nu purtați sau transportați produsul în timp ce funcționează.
- Consultați reglementările naționale și locale în materie de depozitare și manipulare a carburantului. Puteți folosi carburantul rămas pentru un alt aparat echipat cu un motor în doi timpi.

## PE TERMEN SCURT

- Opriți motorul și permiteți-i să se răcească înainte de a depozita produsul.
- Curățați toate materialele străine din produs.
- Depozitați-l într-un loc răcoros, uscat și bine aerisit ce este inaccesibil copiilor.
- Nu-l depozitați în apropiere de agenți corozivi cum ar fi produși chimici de grădinarit sau săruri antifeng.
- Nu depozitați în aer liber.

## ÎNȚEȚINEREA

### ⚠ AVERTISMENT

Folositi doar piese de schimb, accesorii si atasamente originale ale producatorului Neurmarea acestora poate cauza posibila vătămare, slaba funcționare și ar putea anula garanția.

EN  
FR  
DE  
ES  
IT  
NL  
PT  
DA  
SV  
FI  
NO  
RU  
PL  
CS  
HU  
RO  
LV  
LT  
ET  
HR  
SL  
SK  
BG  
UK  
TR



### ⚠️ AVERTISMENT

Accesorii de tăiere nu trebuie să se rotească la modul relanti. Dacă această cerință nu este satisfăcută, trebuie reglat ambreiajul sau mașina are nevoie urgentă de întreținere efectuată de către un tehnician calificat.

### ⚠️ AVERTISMENT

Capacul de alimentare cu combustibil care prezintă scurgeri este un pericol de incendiu și trebuie înlocuit imediat.

### ⚠️ AVERTISMENT

Rețineți că lama este fixată cu o piuliță autoblocantă care nu poate fi utilizată decât o singură dată. Nu refolosiți piulița autoblocantă. Utilizați o piuliță autoblocantă nouă la montare/remontare. Nerespectarea uneia dintre aceste măsuri poate provoca răni corporale grave.

### ⚠️ AVERTISMENT

Verificați ca piulița să fie strânsă la un cuplu  $\geq 25\text{Nm}$  atunci când asamblați lama. Nerespectarea uneia dintre aceste măsuri poate provoca răni corporale grave. (vezi pagina 202, pasul 4)

- Opriti întotdeauna motorul și lăsați-l să se răcească înainte de a efectua orice lucrări de întreținere.
- Puteți face reglaje și reparații descrise în acest manual de instrucțiuni. Pentru alte reparații, solicitați revizia unității la un agent de service autorizat.
- Consecințele întreținerii necorespunzătoare pot include depozite de carbon în exces rezultând într-o pierdere a randamentului și scurgere de reziduuri negre uleioase din amortizorul de zgomot.
- Pentru fir de schimb, folosiți doar linie cu filament din nylon cu diametrul descris în tabelul cu specificații din acest manual.
- Nu prelungirea noului fir de tăiere, reveniți întotdeauna produsul la poziția sa normală de funcționare înainte de a-l opera. După fiecare folosire curățați produsul cu o cârpă moale și uscată.
- Asigurați-vă că toate apărătorile, curelele, deflectoarele și mânerul sunt corespunzător și fix atașate pentru a evita riscul vătămării personale.

### SCHEMA DE ÎNTREȚINERE

Verificați dacă siguranța este bine strânsă	Înainte de fiecare folosire
Verificați: Accesorii de tăiere nu trebuie să se rotească la modul relanti.?	Înainte de fiecare folosire
Verificarea furtunului de combustibil	Înainte de fiecare folosire

Verificarea tuturor conectorilor furtunurilor	Înainte de fiecare folosire
Curățarea rezervorului de combustibil și a filtrului <sup>1</sup>	La 3 luni sau 50 de ore de funcționare
Înlocuiți filtrul de combustibil <sup>1</sup>	Anual, sau la fiecare 300 de ore de funcționare
Verificați să nu existe scurgeri în zona capacului de combustibil și supapei de aerisire (dacă există).	Înainte de fiecare folosire
Curățați filtrul de aer.	La fiecare 25 ore
Schimbarea filtrului de aer	Anual, sau la fiecare 300 de ore de funcționare
Curățați sau reglați bujia	La 6 luni sau 100 de ore de funcționare
Înlocuiți filtrul de combustibil	Anual, sau la fiecare 300 de ore de funcționare
Curățarea arestorului de scânteii	La fiecare 25 ore
Înlocuiți cu un opritor de scânteii nou.	Anual, sau la fiecare 300 de ore de funcționare
Curățarea canalului de evacuare și a amortizorului de zgomot	La fiecare 25 ore

1 Aceste operații trebuie executate numai de un centru de service autorizat.

2 Dacă această cerință nu este îndeplinită, contactați un centru de service autorizat pentru a realiza reparația sau reglajul.

### RISCURI REZIDUALE

Chiar dacă produsul este folosit așa cum a fost prescris, este totuși imposibil să se elimine complet anumii factori de risc reziduali. Următoarele pericole pot apărea în timpul folosirii și operatorul trebuie să acorde atenție specială pentru a evita următoarele:

- Contactul cu mijloacele de tăiere.
  - Asigurați-vă că protecțiile pentru lamă sunt montate când produsul nu este utilizat. Țineți tot timpul mâinile și picioarele ferite de lame.
- Vătămare cauzată de vibrație.
  - Folosiți întotdeauna aparatul potrivit pentru sarcină, folosiți mânerul prevăzute și restricționați timpul de lucru și expunerea.
- Poate fi cauzată vătămarea auzului de la expunerea la zgomot.
  - Purtați protecție pentru auz și limitați expunerea.
- Vătămare a ochilor datorată resturilor aruncate.
  - Purtați întotdeauna protecție pentru ochi.
- Risc de cădere a obiectelor
  - Purtați cască de protecție dacă există riscul de cădere a unor obiecte.

Pot apărea șocuri (reculuri) atunci când utilizați lama

tăietoare pentru arboret. Asigurați controlul corespunzător asupra produsului folosind ambele mâini. Citiți și urmați instrucțiunile din acest manual pentru a reduce riscul de recul al produsului.

### REDUCEREA RISCULUI

S-a raportat faptul că vibrațiile produse de unelte manuale pot contribui, la anumite persoane, la o afecțiune denumită Sindromul Raynaud. Simptomele pot include furnicături, amorțeală și albirea degetelor, care apare, de obicei, după expunerea la frig. Factori ereditari, expunerea la frig și umiditate, dieta, fumatul și practicile de muncă contribuie la dezvoltarea acestor simptome. Există măsurători care pot fi efectuate de către operator pentru a reduce efectele de vibrațiilor:

- Păstrați-vă temperatura corporală ridicată pe vreme rece. Când operați produsul purtați mănuși pentru a menține calde mâinile și încheieturile. S-a constatat că vremea rece este un factor major care contribuie la sindromul Raynaud.
- După fiecare perioadă de operare, trebuie făcute exerciții pentru a crește circulația sângelui.
- Asigurați-vă că mașina este amplasată corect într-o poziție de lucru indicată, înainte de a porni mașina.
- Limitați expunerea zilnică. Trebuie făcute pauze la intervale de timp regulate.

Dacă sunt experimentate oricare dintre simptomele acestei afecțiuni, trebuie întreruptă utilizarea și consultat un medic.

### AVERTISMENT

Pot fi cauzate sau agravate vătămarile de la folosirea prelungită a aparatului. Atunci când folosiți o sculă pentru perioade prelungite, asigurați-vă că luați pauze regulate.

### CUNOAȘTEȚI-VĂ PRODUSUL

1. Mănerul demarorului
2. Capacul de alimentare cu carburant
3. RBC31SBO: Măner de bicicletă
4. RBC31SBO: Arbore de angrenare (ax)
5. Element de protecție lamă
6. Deflector de iarbă
7. Piuliță autoblocantă
8. Șaiba lamei
9. Șaibă concavă
10. Protecție lamă
11. Lamă Tri-Arc™
12. Carcasa superioară a capului tăietor cu fir
13. Bobină
14. Măner rotund
15. Carcasa inferioară a capului tăietor cu fir
16. Fir de tăiere
17. RBC31SBO: Interblocare clapetă de accelerație
18. RBC31SBO: Trăgaciul acceleratorului
19. Întrerupător pornire
20. RBC31SBO: Blocare clapetă de accelerație
21. Inel curea
22. RBC31SESO: Bară inferioară
23. RBC31SESO: Buton rotativ
24. RBC31SESO: Bară superioară

25. RBC31SESO: Măner anterior
26. RBC31SESO: Trăgaciul acceleratorului
27. RBC31SESO: Blocare clapetă de accelerație

### SIMBOLURILE DE PE PRODUS.



Avertizare de siguranță



Citiți și înțelegeți toate instrucțiunile înainte operării produsului, urmați toate avertizările și instrucțiunile de siguranță.



Purtați protecție pentru ochi, auz și cap.



Purtați întotdeauna încălțăminte de siguranță antiderapantă când utilizați acest produs.



Purtați mănuși care nu alunecă, destinate pentru operațiuni grele.



Feriți-vă de obiecte proiectate sau în zbor. Țineți toți trecătorii, în special copiii și animalele de companie la cel puțin 15 metri de zona de operare.



Acest produs nu este destinat pentru utilizare cu o lamă de tip ferăstrău cu dinți.



Pentru a reduce riscul de vătămare sau de daune, evitați contactul cu orice suprafață fierbinte.



Țineți mâinile departe de lame.



Nivel garantat al puterii acustice



Poziția mers



Setați maneta șocului la poziția „FULL”.



Setați maneta șocului la poziția „HALF”.



Timpe de așteptare 10 secunde



AMORSAȚI  
Apăsați pompa de amorsare de 10 ori.



Trageți de sfoara demarorului.



Apăsați trăgaciul de putere pentru a porni/funcționa.



Blocați accelerația în poziție prin apăsarea butonului de blocare a accelerației.



Utilizați benzină fără plumb destinată automobilelor cu o cifră octanică de 91 ([R+M]/2) sau mai mare.



Utilizați ulei pentru motoare în 2 timp la motoarele răcite cu aer.



Amestecați combustibilul bine și, de asemenea, înainte de fiecare alimentare.



Pornirea manuală a motorului rece



Pornirea manuală a motorului cald



Pornirea motorului rece utilizând demarorul electric



Pornirea motorului cald utilizând demarorul electric:



Simbolul "arbore drept": La montarea motorului de fir tăietor pe capul de angrenare, acest simbol trebuie să rămână vizibil de către operator.



Lama Tri-Arc™ este compatibilă cu acest produs și este adecvată pentru tăierea buruienilor cu tulpină groasă și a plantelor agățătoare.



Feriți-vă de mișcările bruște ale lamei.



Direcția de rotație și turația maximă a arborelui pentru atașamentul de tăiere.



Trage  
Gaică de eliberare rapidă



Acest aparat este conform cu ansamblul normelor reglementare din țara din UE în care a fost cumpărat.



Marcaj de conformitate EurAsian



Semn de conformitate ucrainean

Fără a simbolul de alertă privind siguranța  
Indică o situație care poate duce la pagube materiale.

#### SIMBOLURI DIN ACEST MANUAL



Notă



Avertisment

rmătoarele cuvinte simbol și înțelesul lor au atenția de a explica nivelele de risc asociate cu acest produs.

#### PERICOL

Indică o situație periculoasă iminentă, care dacă nu este evitată va cauza decesul sau vătămarea gravă.

#### AVERTISMENT

Indică o situație periculoasă iminentă, care dacă nu este evitată poate rezulta în deces sau vătămare gravă.

#### ATENȚIE

Indică o situație potențial periculoasă, care dacă nu este evitată poate cauza vătămarea moderată sau ușoară.

#### ATENȚIE

Drošībai, veikspējai un uzticamībai ir pievērsta vislielākā uzmanība, radot jūsu krūmgriezi/zāles trimmeri.

### PAREDZĒTAIS LIETOJUMS

Auklas krūmgriezi/zāles trimmeris paredzēts lietošanai tikai pieaugušiem, kuri izlasījuši un sapratuši šīs rokasgrāmatas norādes un brīdinājumus un var tikt uzskatīti par atbildīgiem par savu rīcību. Ierīce ir paredzēta tikai lietošanai ārā, labi vēdinātās apstākļos. Drošības nolūkos, trimmeri jāizmanto, to atbilstoši vadot ar abām rokām.

Šis instruments ir aprīkots ar zāles trimmera galvu (un atbilstošu aizsargu) un ir paredzēts garas zāles, mīkstu salmu un līdzīgu augu plaušanai zemes līmenī vai tā tuvumā. Aprīkojot to ar Tri-Arc™ asmeni (un atbilstošu aizsargu), ar to var griezt arī krūmus. Trimmeris nav paredzēts aprīkošanai ar zāga asmeni.

Griešanas plaknei ir jābūt aptuveni paralēli zemes virsmai. Izstrādājumu nedrīkst lietot dzīvzogu, krūmu vai cita apauguma griešanai vai cirpšanai, ja griešanas plakne nav paralēla zemes virsmai.

Nelietojiet citiem mērķiem.

### ▲ BRĪDINĀJUMS

Priekš pradēdami naudoti šī produktā, atdīzīai perskaitykite šią vartotoju instrukciją ir griežtai laikykitės saugumo reikalavimų.

### ▲ BRĪDINĀJUMS

Nemēģiniet lietot šo izstrādājumu, līdz esat rūpīgi izlasījis un pilnīgi izpratis visas norādes un drošības noteikumus šajā rokasgrāmatā. Noteikumu neievērošana var izraisīt nelaimes gadījumus saistībā ar elektrisko triecienu, ugunsgrēku un/vai smagiem ievainojumiem. Saglabājiet šo operatora rokasgrāmatu un bieži to pārskatiet, lai nodrošinātu turpmāku drošu lietošanu un instruētu citus šī produkta lietotājus.

### ▲ BRĪDINĀJUMS

Ierīce nav paredzēta bērniem vai cilvēkiem ar samazinātām fiziskām, garīgām spējām vai maņu kustību traucējumiem. Nepieciešams pienācīgi uzmanīt bērnus, lai nodrošinātu, ka tie nespējējas ar ierīci.

### VISPĀRĪGIE DROŠĪBAS BRĪDINĀJUMI

- Lai nodrošinātu drošu darbību, pirms izstrādājuma lietošanas izlasiet un saprotiet visas instrukcijas. Ievērojiet visas drošības norādes. Ja kādu noteikumu neievēro, tad ir iespējams gūt smagus savainojumus.
- Dažos reģionos pastāv noteikumi, kas ierobežo preces lietošanu. Vērsieties pie atbildīgajām amatpersonām pēc padoma.
- Neļaujiet bērniem vai personām bez apmācības izmantot šo ražojumu.
- Nekad nedarbiniet dzinēju slēgtās vai nepietiekami vēdinātās vietās; izplūdes gāzu ielpošana var izraisīt nāvi.
- Pirms katras izmantošanas atīriet darba zonu.

Novāciet visus priekšmetus, kā akmeņus, saplēstu stiklus, naglas, vadus vai vadus, kurus var aizmest pa gaisu vai ietīt auklas mezglā vai asmenī.

- Darbinot precī, valkājiet pilnus acu un ausu aizsargus. Ja strādājat zonā, kur pastāv krītošu priekšmetu risks, jāvalkā galvas aizsargs.
- Dzirdes aizsardzība var ietekmēt lietotāja spēju dzirdēt brīdinājuma skaņas. Īpašu uzmanību pievērsiet potenciālajiem riskiem jums apkārt un darba vietā.
- Valkājiet biezās, garas bikses, neslīdošus aizsargapavus un cimdus. Nevelciet platu un vaļīgu apģērbu, īsās bikses, jebkādas rotaslietas un nelietojiet bez apaviem.
- Nostipriniet garus matus virs pleciem, lai nepieļautu to ieķēršanos kustīgās detaļās.
- Neļaujiet blakusstāvētājiem, bērniem un mājdzīvniekiem atrasties tuvāk par 15 m. Ja kāds ienāk zonā, apturiet precī.
- Nerīkojieties ar šo ražojumu, kad esat noguris, slims vai esot alkohola, narkotiku vai zāļu ietekmē.
- Nelietojiet sliktā apgaismojumā. Nepieciešams, lai lietotājam būtu neierobežota redze, lai saredzētu potenciālos riskus.
- Visu laiku stāviet stingri un stabili. Nepersitempkite. Stiepšanās var līkt zaudēt līdzsvaru vai pieskarties karstām virsmām.
- Turiet visas ķermeņa daļas tālu no visām kustīgajām detaļām.
- Nepieskarieties zonai ap klusinātāju vai dzinēja cilindru, šīs daļas lietošanas laikā sakarst.
- Pirms jebkādu pielāgojumu veikšanas, vienmēr apturiet dzinēju un ļaujiet tam atdzist.
- Degvielas jaukšanas un degvielas tvertnes uzpildes laikā nesmēķējiet.
- Samaisiet un uzglabājiet degvielu tam īpaši paredzētā tvertnē.
- Degvielu ļauciet tikai zem klajas debess, atstatu no liesmas un dzirkstelēm. Izlijusi vai izšļakstījusies degviela ir uzreiz jānosauka. Pirms dzinēja iedarbināšanas pārvietojieties 9 m attālumā no uzpildes vietas.
- Pirms degvielas uzpildes apturiet dzinēju un ļaujiet izstrādājumam atdzist.
- Ļaujiet dzinējam atdzist; iztukšojiet degvielas tvertni un pirms transportēšanas nostipriniet ierīci, lai tā nekustētos.
- Vienmēr apturiet dzinēju, lai pāriecinātos, ka visas kustīgās daļas ir apstājušās.
  - apkope
  - izstrādājuma atstāšana bez uzraudzības
  - jūsu izstrādājuma tīrīšana
  - maināmi piederumi
  - nosprostojumu atbrīvošana
  - ierīces pārbaude pēc siltiena pa priekšmetu
  - ja izstrādājums sāk neparasti vibrēt, pārbaudiet, vai tas nav bojāts
  - apkopes veikšana
  - asmens noņemšana

EN  
FR  
DE  
ES  
IT  
NL  
PT  
DA  
SV  
FI  
NO  
RU  
PL  
CS  
HU  
RO  
LV  
LT  
ET  
HR  
SL  
SK  
BG  
UK  
TR

- asmens uzstādīšana

#### ▲ BRĪDINĀJUMS

Nekad neizmantojiet griešanas aprīkojumu vai pielāgojumus, kurus Ryobi nav norādījis šajā rokasgrāmatā. Tie iekļauj daudzpusmu lokanu ķēžu un asmeņu izmantošanu. Ir zināms, ka šie priekšmeti mēdz lietošanas laikā sadalīties un rada paaugstinātu smagu ievainojumu risku lietotājam vai apkārtstāvošajiem.

#### ▲ BRĪDINĀJUMS

Pārbaude pēc nosviešanas vai citiem triecieniem  
Rūpīgi pārbaudiet produktu un nosakiet jebkādas radušās vainas vai bojājumus. Jebkura bojāta detaļa jānodod remontam vai nomaīņai pilnvarotā apkopes centrā.

#### ZĀLES TRIMMERA DROŠĪBAS BRĪDINĀJUMI

- Nomainiet auklas galvu, ja tā ir ieplaisājusi, sadalījusies vai kā citādi bojāta. Pārlicinieties, ka auklas uzgalis ir pareizi uzlikts un droši nostiprināts. Pretējā gadījumā varat iegūt smagu ievainojumu.
- Nelietojiet ierīci slapjā zālē.
- Lietojot šo precī, netaigājiet atmuģuriski.
- Ejiet, nekādā gadījumā neskrieniet.
- Mazais asmens, kas atrodas uz trimmera uzliekamā aizsarga ir paredzēts tikko izvilktas auklas apgriešanai pareizajā garumā, lai nodrošinātu drošu un optimālu darbību. Tas ir ļoti ass, nepieskarieties tam, it īpaši izstrādājuma tīrīšanas laikā.
- Vienmēr pārlicinieties, ka ventilācijas atveres ir tīras no netīrumiem.
- Pirms lietošanas un pēc jebkura trieciena, pārbaudiet, vai nav bojātu daļu. Pārbaudiet pļaušanas daļas, vai tām nav pīlsumu vai citi bojājumi. Bojātu slēdzi vai jebkuru citu bojātu detaļu remontējiet un nomainiet pilnvarotā servisa kompānijā.
- Pārlicinieties, ka galvas uzgalis ir pareizi uzstādīts un droši nostiprināts.
- Pārlicinieties, ka visi aizsargi, deflektori, skrūves un fiksatori ir pareizi un droši piestiprināti.
- Nekādā veidā neveiciet instrumenta pārveidi. Tas var palielināt ievainojumu gūšanas risku jums un apkārtējiem.
- Pļaušanas galvā izmantojiet tikai ražotāja oriģinālo auklu. Nelietojiet citus griešanas uzgaļus.
- Nekad neizmantojiet auklas trimmeri, ja tam nav uzlikts aizsargs ar auklas apgriezēju vai tas nav labā stāvoklī.
- Saglabājiet ciešu abu roku satvērienu griešanas laikā. Turiet trimmera galvu zem jostas līmeņa. Nekad neplaujiet ar paceltu ierīci, augstāk par 76 cm virs zemes.

#### KRŪMGRIEŽA DROŠĪBAS BRĪDINĀJUMI

- Papildus iepriekš minētajiem noteikumiem, izmantojot trimmeri krūmgrieža režīmā, ir jāievēro šāds papildu norādes.

- Izmantojiet izturīgus cimdus, uzstādot vai noņemot asmeņus - tiem ir asas malas.
- Nemēģiniet pieskarties vai apstādināt asmeni, kamēr tas griežas.
- Kustīgs asmens var izraisīt smagus ievainojumus. Turpiniet turēt trimmeri ar abām rokām, līdz asmens ir pilnīgi apstājies.
- Vienmēr nomainiet bojātu asmeni. Vienmēr pirms lietošanas pārlicinieties, ka asmens ir uzstādīts pareizi un ir stingri piestiprināts.
- Lietojiet tikai ražotāja Tri-Arc™ maināmos asmeņus. Nelietojiet citus griešanas uzgaļus.
- Nekad negrieziet jebkādu materiālu, kura diametrs resnāks par 13 mm.
- Jūsu krūmgriezis ir apgādāts ar uzkabi. Rūpīgi noregulējiet uzkabi, lai tā komfortabli balsītu izstrādājuma svaru jūsu labajā pusē.
- Identificējiet ātrās atbrīvošanas mehānismu un iemācieties to lietot pirms jūs esat sācis lietot šo ierīci. Šī mehānisma pareiza izmantošana var pasargāt jūs no ievainojumiem ārkārtas gadījumos. Nekad nevelciet citu apģērbu virs turētāja vai jebkādā citā veidā apgrūtiniet piekļuvi ātrās atlaišanas mehānismam.
- Nosedziet asmeni ar asmens aizsargu pirms ierīces glabāšanas vai tās transportēšanas laikā. Pirms iekārtas izmantošanas vienmēr noņemiet asmens aizsargu. Pretējā gadījumā asmens aizsargs var kļūt par mestu priekšmetu, kad asmens sāk griezties.
- Izmantojot ierīci ar asmeni, ievērojiet īpašu piesardzību. Asmens grūdiens ir reakcija, kas var rasties, rotējošam asmenim nonākot saskarē ar nesagriezamu materiālu. Šāda saskare var izraisīt asmens apstāšanās uz acumirkli un pēkšņu ierīces "grūdienu" virzienā prom no aizskartā priekšmeta. Šī reakcija var būt pietiekoši spēcīga, lai operators zaudētu kontroli pār ierīci. Asmens rāviens var negaidīti rasties, ja asmens iespiežas, apstājas vai pielīp. Lielākoties tas var rasties vietās, kur ir grūtības redzēt griezamo materiālu.
- Ērtības un drošības apsvērumu dēļ grieziet nezāles no labās puses uz kreiso. Tādējādi var samazināt asmens grūdienu reakciju, pēkšņi saskaroties ar negaidītu objektu vai koka gabalu. Šis ražojums vienmēr ir jākontrolē, izmantojot abas rokas.

#### MONTĀŽA

##### IZSAIŅOŠANA

Skatīt 181-182. lappusi

Šis izstrādājums ir jāsamontē.

- Uzmanīgi izņemiet instrumentu un piederumus no kastes. Pārlicinieties, ka visi sarakstā norādītie priekšmeti ir kastē.
- Uzmanīgi pārbaudiet, vai instrumentam piegādes laikā nav radušies bojājumi vai defekti.

#### ▲ BRĪDINĀJUMS

Ja kādas detaļas ir bojātas vai iztrūkst, nedarbiniet šo ražojumu līdz visas detaļas ir apmainītas. Šī brīdinājuma neievērošanas rezultātā var rasties nopietni savainojumi.



## SIKSNAS ĀĶA REGULĒŠANA

Skatīt 185/189. lappusi

Pielāgojiet siksnas uzskabi un līdzsvarojiet to tādā stāvoklī, kad griešanas uzlikas asmens atradīsies 100 mm līdz 300 mm attālumā no zemes.

## UZKABES IZMANTOŠANA

Skatīt 185/189. lappusi

**PIEZĪME:** Vienmēr izmantojiet instrumentu kopā ar uzkabu.

**PIEZĪME:** Lai ātri noņemt trimmeri no uzkabes, strauji paraujiet atbrīvošanas aizslēgu.

## REELEASY™ ZĀLES TRIMMERA GALVAS UN TRI-ARC™ ASMENS IZMANTOŠANA

- Izmantojot ReelEasy™ zāles trimmera galvu, zāles deflektoram ir jābūt pievienotam asmens aizsargam. (Skatīt 203. lappusi)
- Izmantojot Tri-Arc™ asmeni, zāles deflektoram ir jābūt atvienotam no asmens aizsarga. (Skatīt 202. lappusi)

### ▲ BRĪDINĀJUMS

Vienmēr izņemiet piedziņas fiksācijas tapu, pirms iedarbināt dzinēju (skatīt 185. lappusi, 4. soli)

## EKSPLUATĀCIJA

### DEGVIELA UN TĀS IEPILDĪŠANA TVERTNĒ

Skatīt 184. lappusi

- Darbā ar degvielu vienmēr rīkojieties īpaši piesardzīgi, jo tā ir viegli uzliesmojoša.
- Šim darbam ir divtaktu dzinējs, tāpēc ir nepieciešams sajaukt benzīna un divtaktu dzinējiem domātas eļļas maisījumu. Sajauciet bezsvina degvielu un divtaktu dzinējiem domātu eļļu tīrā traukā, kas ir piemērots degvielai.
- Dzinējam ir piemērota bezsvina degviela, kura ir domāta spēkratiem un kuras oktānskaitlis ir 91 ([R + M]/2) vai lielāks.
- Neizmantojiet benzīna un eļļas maisījumus, ko gatavo degvielas uzpildes stacijās.
- Lietojiet tikai tādu sintētisku eļļu, kas domāta divtaktu dzinējiem. Nelietojiet automobiļu eļļu vai kontrabandas divtaktu dzinēja eļļu.
- 2% sintētisko 2-taktu motora smērvielu samaisiet ar benzīnu. Lai attiecība būtu 50:1 (2% eļļas).
- Labi sajauciet degvielu katreiz, kad uzpildāt tvertni.
- Degviela ir jāsauc nelielā daudzumā. Nevajadzētu sajaukt degvielu ilgākā laikā nekā vienam mēnesim. Pie tam iesakām jums izmantot tādu divtaktu dzinējiem domātu sintētisku eļļu, kas satur degvielas stabilizatoru.

### TVERTNES UZPILDĪŠANA

- Noslaukiet tvertnes daļu ap vāciņu, lai novērstu to, ka degvielā iekļūst sāļi.
- Mierīgi atskrūvējiet tvertnes vāciņu, lai pamazām mazinātos spiediens un degviela neizšļakstītos ap kakliņu.
- Uzmanīgi ielejiet degvielas maisījumu tvertnē,

raugoties. Lai nenolīst garām.

- Pirms vāciņa uzskrūvēšanas noīriet saskrūvējuma vietu un pārliecinieties, vai tur nav bojājumu.
- Uzreiz pēc tam uzskrūvējiet tvertnei vāciņu, atcerieties, ka tam ir jābūt cieši noslēgtam! Izlīdusi vai izšļakstījusies degviela ir uzreiz jānoslauka. Pirms dzinēja palaišanas atkāpieties 9 m (30 pēdas) no uzpildes vietas.

### DZINĒJA PALAIŠANA AR ELEKTRISKO STARTERI (PA-PILDAPRĪKOJUMS):

Skatīt 196-201. lappusi

### ▲ BRĪDINĀJUMS

Izmantojiet tikai Ryobi OES18 elektrisko starteri. Cita startera izmantošana var sabojāt dzinēju un izraisīt smagus ievainojumus.

### ▲ BRĪDINĀJUMS

Pirms elektriskā startera izmantošanas trimmera palaišanai, lūdzu, izlasiet un pilnībā izprotiet OES18 elektriskā startera lietošanas rokasgrāmatu, lai izvairītos no nepareizas lietošanas no smagiem ievainojumiem.

- Turiet izolēto asi ar kreiso roku un izmantojiet labo roku, lai ievietotu startera uzgali ass atverē uz dzinēja. Pretējā gadījumā dzinējs nedarbosies.

- Pārliecinieties, ka startera uzgali ir pilnībā ievietots.

**PIEZĪME:** Elektriskais starteris ar aprīkots ar drošības aizslēgu. Nenospieties un neturiet slēdža pogu, ievietojot elektriskā startera adapteri tam paredzētajā ass atverē uz dzinēja. Starteris negriezīsies, ja elektriskais starteris nav pilnīgi ievietots.

### ZĀLES TRIMMERA LIETOŠANA

Skatīt 189. lappusi

**RBC31SESO:** Turiet trimmeri ar labo roku uz aizmugurējā roktura un kreiso roku uz priekšējā roktura.

**RBC31SBO:** Turiet ierīci ar labo roku aiz slēdža roktura, bet ar kreiso roku aiz kreisā roktura.

- Darba laikā ierīci turiet cieši ar abām rokām.
- Ierīce ir jātur ērtā pozīcijā ar trigeru rokturi aptuveni gurnu augstumā.
- Ierīci vienmēr darbiniet ar pilniem apgriezieniem. Ilgstoša griešana ar nepilniem apgriezieniem izraisa smērvielas pilēšanu no slāpētāja.
- Garā zālī griežiet no augšas uz leju, lai nepieļautu zāles aptīšanos ap ass korpusu un auklas galvu, lai ierīce nepārkarstu un tai nerastos bojājumi.
- Ja zāle vai kas cits aptinas ap griešanas aprīkojumu, apturiet dzinēju. Izmantojiet izturīgus darba cimdus, lai izvairītos no ievainojumiem no asiem asmeņiem un rūpīgi izīriet netīrumus.
- Nevirziet trimmeri iekšā plaujamajā zālē. Veiciet sāniskas vēzienu kustības. Nedaudz pavirzieties uz priekšu katrā vēzienu laikā.
- Ierīci turiet savērtu griežamās virsmas virzienā.
- Neizmantojiet bīstamā vidē.

EN  
FR  
DE  
ES  
IT  
NL  
PT  
DA  
SV  
FI  
NO  
RU  
PL  
CS  
HU  
RO  
LV  
LT  
ET  
HR  
SL  
SK  
BG  
UK  
TR

- Griešanai izmantojiet auklas galu; negrūdiēt nenoplautā zālē auklas galvu.
- Atsišanās pret stieplu un koka žogiem izraisa auklas ātrāku nodilšanu vai pat saplīšanu. Atsišanās pret akmeņus un kļieģļu sienām, apmalēm un kokiem var paātrināt auklas nodilšanu.
- Izvairieties no kokiem un krūmiem. Aukla var viegli sabojāt koka mizu, koka dekoratīvos elementus, apšuvumus un žoga daļas.

## KRŪMGRIEŽA LIETOŠANA

### Skatīt 192. lappusi

Lai samazinātu atsītiena risku: Nespiediet instrumentu iekšā griežamajā materiālā. Kustīniet to pa labi un pa kreisi vienmērīgos vēzienos. Pavirzieties nedaudz uz priekšu katra vēzienu sākumā.

**RBC31SESO:** Turiet trimmeri ar labo roku uz aizmugurējā roktura un kreiso roku uz priekšējā roktura.

**RBC31SBO:** Turiet ierīci ar labo roku aiz slēdža roktura, bet ar kreiso roku aiz kreisā roktura.

- Ierīce ir jātur ērtā pozīcijā ar trigeru rokturi aptuveni gurnu augstumā.
- Saglabājiet stingru tvērienu un stabili stāviet uz abām kājām. Stāviet tā, lai jūs nezaudētu līdzsvaru griezējasmens atsītiena dēļ.
- Noregulējiet siksnas turētāju ērtā stāvoklī.
- Izmantojot ierīci ar asmeni, ievērojiet īpašu piesardzību. Asmens grūdiens ir reakcija, kas var rasties, rotējošam asmenim nonākot saskarē ar nesagriežamu materiālu. Šāda saskare var izraisīt asmens apstāšanos uz acumirkli un pēkšņu ierīces "grūdienu" virzienā prom no aizskartā priekšmeta. Šī reakcija var būt pietiekoši spēcīga, lai operators zaudētu kontroli pār ierīci. Asmens rāviens var negaidīti rasties, ja asmens iespiežas, apstājas vai pielīp. Lielākoties tas var rasties vietās, kur ir grūtības redzēt griežamo materiālu. Ērtības un drošības apsvērumu dēļ grieziēt nezāles no labās puses uz kreiso. **Tādējādi var samazināt asmens grūdienu reakciju, pēkšņi saskaroties ar negaidītu objektu vai koka gabalu.**

## TRANSPORTĒŠANA UN UZGLABĀŠANA

- Apturiet precīzi un ļaujiet tai atdzist pirms noglabāšanas vai transportēšanas.
- Noīriet visus svešķermeņus no izstrādājuma.
- Ja uzstādīts griešanas asmens, uzlieciet tam asmens aizsargu.
- Izlejiet no tvertnes visu atlikušo degvielu kādā citā traukā, kas ir piemērots degvielas glabāšanai. Atcerieties pareizi uzskrūvēt un novilkt degvielas tvertnes vāciņu.
- Darbiniet dzinēju, līdz tas pilnībā beidz griezties. Tas iztukšo visu degvielu, kas ir novadējusies un atstāj degvielas sistēmā nosēdumus un sveķus.
- Uzglabājiet to vēsā, sausā un labi vēdinātā vietā, kurai nevar piekļūt bērni. Neglabājiet to vietā, kur tuvumā atrodas korozīvas vielas, piemēram dārza darbos izmantojamas ķīmikālijas vai atsaldēšanai domāta sāls. Neuzglabājiet ārpus telpām.

- Transportējot nostipriniet ierīci, lai tā nekustētos un neapgāztos, jo tas var izraisīt miesas bojājumus un ierīces bojājumus.
- Nekad nenesiet un netransportējiet produktu, kamēr tas darbojas.
- Ja glabājat degvielu un strādājat ar to, tad uzziniet, kādi vietēji noteikumi un nacionāli likumi attiecas uz šo jomu. Pārpalikušo degvielu jūs varat izmantot, lai darbinātu kādu citu rīku, kuram ir divtaktu dzinējs.

## ĪSTERMIŅA

- Apturiet dzinēju un ļaujiet tam atdzist pirms novietošanas glabāšanai.
- Noīriet visus svešķermeņus no izstrādājuma.
- Uzglabājiet to vēsā, sausā un labi vēdinātā vietā, kurai nevar piekļūt bērni.
- Neglabājiet to vietā, kur tuvumā atrodas korozīvas vielas, piemēram dārza darbos izmantojamas ķīmikālijas vai atsaldēšanai domāta sāls.
- Neuzglabājiet ārpus telpām.

## APKOPE

### ▲ BRĪDINĀJUMS

Lietojiet tikai oriģinālās ražotāja rezerves daļas, piederumus un uzgalus. Pretējā gadījumā var tikt radīti ievainojumi un parādīts slikts sniegums, kā arī var tikt anulēta garantija.

### ▲ BRĪDINĀJUMS

Griešanas savienojums tukšgaitas režīmā nedrīkst rotēt. Ja šis nosacījums netiek izpildīts, jānoregulē sajūgs vai arī kvalificētam tehnikam steidzami jāveic iekārtas apkope.

### ▲ BRĪDINĀJUMS

Ja degvielas vāciņā rodas noplūde, pastāv aizdegšanās risks, tāpēc tas nekavējoties jānomaina.

### ▲ BRĪDINĀJUMS

legaumējiet, ka asmens uzgrieznis ir ar neilona bloķēšanas gredzenu un ir paredzēts tikai vienreizējai izmantošanai. Neizmantojiet uzgriezni ar neilona gredzenu atkārtoti. Uzstādot/pārīekot, izmantojiet jaunu tādu pašu uzgriezni. Ja kādu noteikumu neievēro, tad ir iespējams gūt smagus savainojumus.

### ▲ BRĪDINĀJUMS

Saiekot asmeni, pārliecinieties, ka uzgrieznis tiek pievilktis ar spēku  $\geq 25\text{Nm}$ . Ja kādu noteikumu neievēro, tad ir iespējams gūt smagus savainojumus. (skatīt 202. lappusi, 4. soli)

- Vienmēr apturiet dzinēju un ļaujiet tam atdzist, pirms

veicat apkopi.

- Daudzus šajā lietotāja rokasgrāmatā aprakstītos regulēšanas un remontdarbus varat veikt pats. Cita veida remontu veikšanai nododiet iekārtu apkopē autorizētam apkalpošanas pārstāvim.
- Nepareizas apkopes rezultāts var būt pāriekši ogļu nosēdumi, kas izraisa veikspējas zudumu un melnu, eļļainu nosēdumu pilēšanu no slāpētāja.
- Aizstāšanai izmantojiet tikai neilona šķiedras auklu, kuras diametrs aprakstīts šīs rokasgrāmatas specifikācijas tabulā.
- Kad pagarināta jauna griešanas aukla, pirms iedarbināšanas vienmēr atgrieziet precīzi tās parastajā darba stāvoklī. Pēc katras lietošanas reizes notīriet precīzi ar mikstu, sausu drāniņu.
- Pārlicinieties, vai visi aizsargi, siksnas, novirzītāji un rokturi ir pareizi un droši piestiprināti, lai izvairītos no traumu riska.

#### APKOPES GRAFIKS

Pārbaudiet, vai fiksators ir kārtīgi novilkts	Pirms katras lietošanas
Pārbaudiet: Griešanas savienojums tukšgaitas režīmā nedrīkst rotēt. <sup>2</sup>	Pirms katras lietošanas
Pārbaudiet degvielas cauruli	Pirms katras lietošanas
Pārbaudiet visus cauruļu savienojumus	Pirms katras lietošanas
Iztīriet degvielas tvertni un filtru <sup>1</sup>	Katrus 3 mēnešus vai ik pēc 50 darba stundām
Gaisa filtra nomaiņa <sup>1</sup>	Katru gadu vai ik pēc 300 darba stundām
Pārbaudiet, vai nenotiek noplūde gar degvielas vāciņu vai caur degvielas tvertnes izgarojumu ventilāciju (ja tāda ir)	Pirms katras lietošanas
Iztīriet gaisa filtru.	Ik pēc 25 stundām
Nomainiet gaisa filtru	Katru gadu vai ik pēc 300 darba stundām
Notīriet vai noregulējiet aizdedzes sveci	Katrus 3 mēnešus vai ik pēc 100 darba stundām
Gaisa filtra nomaiņa	Katru gadu vai ik pēc 300 darba stundām
Iztīriet dzirksteļu slāpētāju	Ik pēc 25 stundām
Uzlieciet jaunu dzirksteļu uztvērēju.	Katru gadu vai ik pēc 300 darba stundām
Izplūdes porta un slāpētāja tīrīšana	Ik pēc 25 stundām

<sup>1</sup> Šie darbi ir jāveic tikai pilnvarotā servisa centrā.

<sup>2</sup> Ja šī prasība netiek izpildīta, sazinieties ar pilnvaroto

servisa centru, lai veiktu remontu vai regulēšanu.

#### OBJEKTĪVIE RISKI

Pat ka prece ir lietota kā noteikts, nav iespējams pilnībā novērst noteiktus riska faktorus. Lietošanas laikā var rasties šādas bīstamas situācijas, un lietotājam ir jāpievērš pastiprināta uzmanība, lai tās novērstu:

- Saskare ar griešanas līdzekļiem.
  - Nodrošiniet, ka izstrādājuma asmens aizsargi ir uzstādīti, arī kad izstrādājums netiek lietots. Turiet rokas un kājas pa gabalu no asmeņiem visu laiku.
- Vibrācijas radīts ievainojums.
  - Vienmēr izmantojiet pareizos rīkus tiem paredzētajam darba, izmantojiet norādītos rokturus un ierobežojiet laiku, cik ilgi izmantojat ierīci.
- Pakļaušanas troksnis var radīt dzirdes bojājumus.
  - Valkājiet ausu aizsargu un ierobežojiet saskarsmi.
- Acu savainojumi lidojošu atkritumu dēļ.
  - Vienmēr nēsājiet acu aizsardzību.
- Krietošu priekšmetu risks
  - Gadījumos, kad pastāv jebkāda krietošu priekšmetu iespējamība, valkājiet galvas aizsargu.

Izmantojot krūmgriezi var notikt atsitieni. Nodrošiniet instrumenta pareizu vadīšanu, tā rokturus satverot ar abām rokām. Izlasiet un ievērojiet norādes citur šajā rokasgrāmatā, lai palīdzētu samazināt atsitiena risku.

#### RISKA SAMAZINĀŠANA

Ir ticis ziņots, ka vibrācijas no rokas instrumentiem atsevišķos cilvēkos var veicināt kaiti, ko sauc par Reino sindromu. Simptomi var ietvert pirkstu tīkšķēšanu, nejutīgumu un nobālēšanu, parasti aukstā laikā. Tiek uzskatīts, ka tradicionālie faktori, aukstums un mitrums, uzturs, smēķēšana un darba prakse sekmē šo simptomu attīstību. Operators var veikt pasākumus, lai iespējami samazinātu vibrācijas efektu:

- Aukstā laikā ķermenim jābūt siltam. Kad darbināt precīzi valkājiet cimdus, lai rokas un plaukstu locītavas būtu siltas. Ir pētījumi, ka auksts laiks ir galvenais faktors, kas veicina Reino sindromu.
- Ik pēc laika apturiet darbu un veiciet vingrinājumus, kas uzlabo asins cirkulāciju.
- Pirms iedarbināt iekārtu, pārlicinieties, vai tā ir pareizi novietota paredzētajā darba pozīcijā.
- Ierobežojiet iedarbības ilgumu dienā. Strādājot jābūt biežiem pārtraukumiem.

Ja jūs izjūtat kādu no šiem simptomiem, nekavējoties apturiet ierīces lietošanu un sazinieties ar ārstu par šiem simptomiem.

#### ▲ BRĪDINĀJUMS

Ilgstoša preces lietošana var radīt ievainojumus vai pasliktināt jau esošos. Ilgstoši lietojot jebkuru instrumentu, pārlicinieties, ka tiek veikti regulāri pārtraukumi.

#### PAZĪSTIET SAVU IERĪCI

1. Palaidis rokturis

2. Degvielas tvertnes vāciņš
3. RBC31SBO: Velosipēda veida rokturis
4. RBC31SBO: Piedziņas ass
5. Asmens aizsargs
6. Zāles novirzītājs
7. Neilona uzgrieznis
8. Asmens šeiba
9. Kausveida paplāksne
10. Asmens aizsargs
11. Tri-Arc™ asmens
12. Augšējais auklas galvas korpuss
13. Spole
14. Uzšītamā poga
15. Apakšējais auklas galvas korpuss
16. Griešanas aukla
17. RBC31SBO: Droseles bloķēšana
18. RBC31SBO: Slēdzis
19. Aizdedzes slēdzis
20. RBC31SBO: Droseles bloķētājs
21. Siksnas āķis
22. RBC31SESO: Apakšējā vārpsta
23. RBC31SESO: Spārnuzgrieznis
24. RBC31SESO: Augšējā vārpsta
25. RBC31SESO: Priekšējais rokturis
26. RBC31SESO: Slēdzis
27. RBC31SESO: Droseles bloķētājs

#### UZ PRECES ESOŠIE SIMBOLI



Drošības brīdinājums



Pirms preces darbināšanas izlasiet un izprotiet visus norādījumus, ievērojiet visus brīdinājumus un drošības norādījumus.



Izmantojiet acu, ausu un galvas aizsargu.



Kad izmantojat šo izstrādājumu, lietojiet neslīdošus aizsargapavus.



Valkājiet neslīdošus darba cimdus.



Sargieties no izmestiem vai lidojošiem priekšmetiem. Rūpējieties, lai visi tuvumā stāvošie, īpaši bērni un dzīvnieki atrastos vismaz 15 m attālumā no darba zonas



Šis izstrādājums nav paredzēts lietošanai ar zobu zāģa tipa asmeni.



Lai samazinātu ievainojuma vai bojājuma risku, nepieļaujiet pieskaršanos jebkurai karstai virsmai.



Neturiet rokas asmeņu tuvumā.



Garantētais skaņas intensitātes līmenis



Ieslēgts stāvoklis



Iestatiet droseles sviru pozīcijā "FULL" (pilna slodze).



Iestatiet droseles sviru pozīcijā "HALF" (puslode).



Gaidīšanas laiks 10 sekundes



UZSŪKNĒT

Nospiediet degvielas pumpīti 10 reizes.



Pavelciet startera auklu



Saspiediet sprūda droseli, lai iedarbinātu/darbinātu.



Nobloķējiet droseli pozīcijā, piespiežot droseles bloķēšanas pogu.



Izmantojiet automašīnām paredzētu bezsvina benzīnu ar 91 ([R+M]/2) vai lielāku oktānskaitli.



Lietojiet 2 taktu eļļu gaisa dzesētiem dzinējiem.



Katru reizi pirms degvielas uzpildīšanas rūpīgi sajauciet degvielas maisījumu.



Auksta dzinēja iedarbināšana ar roku



Silta dzinēja iedarbināšana ar roku



Auksta dzinēja iedarbināšana ar elektrisko starteri



Silta dzinēja iedarbināšana ar elektrisko starteri



Taisnas ass simbols: Uzstādot kā plaušanas aprīkojumu auklas spoli, šim simbolam ir jābūt lietotājam redzamam.



Tri-Arc™ asmens ir labākā izvēle šim instrumentam un ir paredzēts mīkstu nezāļu un staipekņu griešanai



Uzmanieties no asmens



Griezējierces vārpstas rotācijas virziens un maksimālais ātrums.



Vilk  
Ātrās atlaišanas cilpa



Darbarīks atbilst visām normām ES valstī, kurā tas ir iegādāts.



EurAsian atbilstības marķējums



Ukrainas apstiprinājuma zīme

Lai izskaidrotu risku, kas saistīti ar izstrādājumu, līmeni, paredzēti šādi norādījuma vārdi un jēdzieni.

**⚠ BĪSTAMI**

Norāda draudošo bīstamo situāciju, kas, ja no tās neizvairās, var novest pie nāves vai nopietnas traumas.

**⚠ BRĪDINĀJUMS**

Norāda potenciālo bīstamo situāciju, kas, ja no tās neizvairās, var novest pie nāves vai nopietnas traumas.

**⚠ UZMANĪBU**

Norāda potenciālo bīstamo situāciju, kas, ja no tās neizvairās, var novest pie nelielas vai vidējas traumas.

**UZMANĪBU**

Bez drošības brīdinājuma apzīmējuma

Norāda uz situāciju, kas var radīt īpašuma bojājumus.

**SIMBOLI ŠAJĀ ROKASGRĀMATĀ**



Piezīme



Brīdinājums

EN  
FR  
DE  
ES  
IT  
NL  
PT  
DA  
SV  
FI  
NO  
RU  
PL  
CS  
HU  
RO  
LV  
LT  
ET  
HR  
SL  
SK  
BG  
UK  
TR

Gaminant šią nešiojamąją krūmapjovę / žoliapjovę didžiausia svarba buvo teikiama jos saugai, efektyvumui ir patikimumui.

### NAUDOJIMO PASKIRTIS

Ši nešiojamoji krūmapjovė / žoliapjovė skirta naudoti suaugusiems asmenims, persikaičiusiems ir supratusiems šiame vadove pateiktas instrukcijas ir įspėjimus bei atsakingiems už savo veiksmus. Prietaisas skirtas naudoti lauke, gerai vėdinamoje vietoje. Darbo šiuo įrenginiu saugą galima užtikrinti tik dirbant abiem rankomis.

Uždėjus žolės pjovimo galvutę (ir atitinkamą apsauginį įtaisą), šiuo įrenginiu galima pjauti ilgą žolę, storas piktžoles ir kitus panašius augalus žemės lygyje ar maždaug ties juo. Uždėjus geležtę „Tri-Arc“ (ir atitinkamą apsauginį įtaisą), juo galima pjauti ir krūmus. Produktas neskirtas naudoti su geležte.

Pjovimo plokštuma turi būti maždaug lygiagrečiai žemės paviršiui. Produkto negalima naudoti pjauti ar apkarpyti gyvatvores, krūmus ar kitus augalus, kai pjovimo plokštuma nėra lygiagrečiai žemės paviršiui.

Nenaudokite kitais tikslais.

### ⚠️ ĮSPĖJIMAS

Prieš pradėdami naudoti šį produktą, atidžiai perskaitykite šią vartotojo instrukciją ir griežtai laikykitės saugumo reikalavimų.

### ⚠️ ĮSPĖJIMAS

Draudžiama naudoti produktą, jeigu nesate nuodugniai susipažinęs su visais šiame vadove pateiktais nurodymais ir saugos taisyklėmis bei nesate tinkamai jų supratęs. Nesilaikant taisyklių gali įvykti nelaimingas atsitikimas, susijęs su elektros smūgiu, gaisru ir (ar) sunkiais sužeidimais. Dėl nuolatinio saugaus darbo išsaugokite šias instrukcijas ir dažnai jas peržiūrėkite bei apmokykite kitus asmenis, dirbančius su šiuo įrankiu.

### ⚠️ ĮSPĖJIMAS

Krūmapjovės negali naudoti vaikai ar asmenys su fiziniais, psichiniais ar jutimais sutrikimais. Vaikus reikia tinkamai prižiūrėti, kad jie nežaistų su krūmapjove.

### BENDRIEJI SAUGOS ĮSPĖJIMAI

- Norėdami užtikrinti saugų darbą, prieš pradėdami naudoti gaminį perskaitykite ir supraskite visus nurodymus. Vykdykite visus saugos nurodymus. Vieno iš šių nurodymų nesilaikymas gali sukelti sunkių kūno sužalojimų.
- Kai kuriuose regionuose taisyklės riboja įrenginio naudojimą. Kreipkitės patarimo į vietos įstaigą.
- Neleiskite vaikams ar neapmokytiems asmenims naudotis šiuo prietaisu.
- Niekada neužveskite variklio ir neleiskite varikliui dirbti uždaroje ar prastai vėdinamoje patalpoje, nes kvėpavimas išmetimo dūmais gali būti mirtinas.
- Prieš pradėdami darbą sutvarkykite darbo vietą.

Pašalinkite visus objektus, pvz., akmenis, stiklo duženas, vinis, vielas ar virves, kurios gali būti sviedžiamos arba apsvinioti apie žoliapjovės galvutę arba geležtę.

- Naudodami šį įrenginį, dėvėkite pilną akių ir klausos apsaugą. Dirbant zonoje, kurioje gali kristi objektai, būtina dėvėti galvos apsaugos priemones.
- Klausos apsaugos priemonės gali kliudyti operatoriui išgirsti įspėjamuosius garsus. Ypatingą dėmesį reikia atkreipti į potencialius pavojus aplink darbo sritį ir joje.
- Dėvėkite sunkaus audinio kelnes ilgomis klešnėmis, neslidžią apsauginę avalynę ir pirštines. Nedėvėkite dukšlių drabužių, trumpų kelnų, papuošalų ir atviros avalynės.
- Ilgus plaukus suriškite aukščiau pečių, priešingu atveju, jie gali įsipainioti į judančias įrankio dalis.
- Visi asmenys, vaikai ir gyvūnai turi būti bent 15 metrų atstumu. Į apdirbamą plotą įėjus pašaliniam asmeniui, gaminį reikia sustabdyti.
- Nesinaudokite šiuo prietaisu, kai esate pavargę, sergate, ar esate pavartoję alkoholio, narkotikų ar vaistų.
- Dirbkite gerai apšviestoje aplinkoje. Kad operatorius pastebėtų potencialius pavojus, matomumas turi būti geras, neužstotas jokiais objektais.
- Visada tvirtai stovėkite ir išlaikykite pusiausvyrą. Nepersitempkite. Jei sieksite per toli, galite prarasti pusiausvyrą ar prisiliesti prie įkaitusių paviršių.
- Stovėkite toliau nuo visų judančių įrankio detalių.
- Nelieskite rankomis zonos aplink duslintuvą arba produkto cilindrą, nes eksploatuojant prietaisą šios dalys būna įkaitusios.
- Prieš atlikdami bet kokius reguliavimo darbus būtina išjunkite variklį ir palaukite, kol jis atvės.
- Maišydami kurą arba pilydami kuro baką kuru, nerūkykite.
- Maišykite ir saugokite kurą jam specialiai patvirtintame rezervuare.
- Maišykite degalus gryname ore, toli nuo bet kokios kibirkšties ar liepsnos. Nušluostykite išsiliejusius degalus. Prieš paleidžiant variklį, reikia paitraukti 9 m atstumu nuo kuro užpylimo punkto.
- Prieš pildami degalus išjunkite variklį ir palaukite, kol variklis atvės.
- Prieš įrankį gabendami transporto priemonėje, palaukite, kol variklis atvės, išpilkite degalų baką ir įrankį pritvirtinkite, kad gabenant jis nejudėtų.
- Būtina sustabdyti variklį ir patikrinti, ar visos judančios dalys sustojo, o po to:
  - aptarnavimas
  - gaminio palikimas be priežiūros
  - valydami įrenginį
  - priedų keitimas
  - užsikimšimų valymas
  - patikrinkite, ar prietaisas neapgadintas po sutrenkimo į kitą daiktą
  - patikrinkite šį gaminį dėl apgadavimo, jei jis pradeda neįprastai vibruoti

- techninės priežiūros atlikimas
- geležtės pašalinimas
- Geležtės įstatymas

#### ▲ ĮSPĖJIMAS

Niekada nenaudokite pjovimo priemonių arba priedų, kurių šiame vadove nėra nurodžiusi bendrovė „Ryobi“. Tai apima metalinių kelių dalių besisukančių grandinių ir rotorinių peilių naudojimą. Yra informacijos, kad šios detalės sulūžta jas naudojant ir operatoriui ar šalia esantiems asmenims sukelia rimtą sužalojimų pavojų.

#### ▲ ĮSPĖJIMAS

Patikrinimas įrankiui nukritus ar po kitų smūgių. Atidžiai patikrinkite prietaisą, ar jis nepažeistas. Bet kuria apgadintą detalę leidžiama remontuoti arba keisti tik autorizuotame aptarnavimo centre.

### NEŠIOJAMOSIOS ŽOLIAPJOVĖS NAUDOJIMO SAUGOS ĮSPĖJIMAI

- Jei juostos geležtė yra įskilusi, nuskilusi ar pažeista, ją pakeiskite. Įsitikinkite, kad pjovimo vielos galvutė tinkamai sumontuota ir patikimai pritvirtinta. Priešingu atveju, galite sunkiai susižeisti.
- Venkite naudoti ant drėgnos žolės.
- Pjaudami, neikite atbulomis.
- Visada eikite, niekada nebėkite.
- Maža ant pjovimo priedo apsauginio įtaiso sumontuota geležtė yra skirta nukirpti naujai išstumtai pjovimo vielai iki tinkamo ilgio, kad darbas būtų saugus ir optimalus. Ji yra labai aštri, todėl nelieskite jos, ypač valydami įrenginį.
- Visada patikrinkite, ar ventiliavimo angos nėra užsikūšusios atliekomis.
- Prieš naudodami įrenginį ir po bet koks jo sutrenkimo patikrinkite, ar nėra pakenktų dalių. Patikrinti, ar pjovimo įtaisuose nėra įtrūkimų ar kitų apgadinių. Sugedęs jungiklis ar bet kokia kita sugedusi ar apgadinta detalė turi būti remonuojama arba keičiama tik įgalioto remonto centre.
- Patikrinkite, ar galvutės įtaisas tinkamai sumontuotas ir pritvirtintas.
- Patikrinkite, ar visi apsauginiai įtaisai, kreiptuvai, rankenos, varžtai ir fiksatoriai yra tinkamai ir patikimai pritvirtinti.
- Draudžiama kaip nors modifikuoti gaminį. Dėl to gali padidėti pavojus susižeisti patiems ir sužeisti kitus.
- Pjovimo galvutėje naudokite tik originalią gamintojo vielą. Nenaudokite jokio kito pjovimo įtaiso.
- Naudoti įrenginį leidžiama tik jei pjovimo priedo apsauginis įtaisas yra uždėtas ir tinkamos būklės.
- Pjaudami tvirtai laikykite abi rankenas. Pjovimo vielos galvutė turi būti žemiau nei juosmens lygis. Jokiu būdu negalima pjauti, jei gu stygos galvutė įtempta daugiau kaip 76 cm virš žemės lygio.

### KRŪMPAJOVĖS NAUDOJIMO SAUGOS ĮSPĖJIMAI

- Kai įrenginys naudojamas kaip krūmapjovė, reikia vadovautis ne tik pirmiau pateiktomis taisyklėmis, bet ir šiais papildomais nurodymais.
- Uždėdami arba nuimdami geležtes mūvėkite tvirtas pirštines, nes geležtės labai aštrios.
- Geležtės nebandykite priliesti ar sustabdyti, kai ji sukasi.
- Judanti geležtė gali sunkiai sužeisti. Tvirtai laikykite įrenginį abiem rankomis, kol geležtė visiškai nustos sukstis.
- Visas pažeistas geležtes būtina pakeisti. Kiekvieną kartą prieš naudodami įrankį, patikrinkite, ar geležtė yra teisingai pritvirtinta ir tvirtai priveržta.
- Keitimui naudokite tik originalią gamintojo geležtę „Tri-Arc“. Nenaudokite jokio kito pjovimo įtaiso.
- Nepjaukite jokių medžiagų, kurių skersmuo didesnis nei 13 mm.
- Prie krūmapjovės tvirtinamas diržas. Kruopščiai sureguliuokite diržus, kad jie būtų patogūs ir padėtų išlaikyti įrenginio svorį dešinėje pusėje.
- Nustatykite greito atleidimo mechanizmą ir pasipraktikuokite, kaip juo naudotis prieš pradėdami genėti. Teisingai naudojant šį įtaisą, galima apsisaugoti nuo sužeidimų įvykus avarijai. Jokiu būdu nemūvėkite palaidų drabužių virš papildomos atramos ar kitaip nekludykite spartaus atpalaidavimo mechanizmo.
- Prieš padėdami įrankį saugoti ar jį pervežant, geležtę visada uždėkite apsauginiu gaubtu. Prieš pradėdami naudoti įrankį, visada nuimkite geležtės apsauginį gaubtą. Jei geležtės apsauginis gaubtas nenuimtas, geležtei pradėjus sukstis, gaubtas gali būti nusviestas.
- Kai su šiuo gaminiu naudojama geležtė, būkite ypač atsargūs. Geležtės sviedimas yra tokia reakcija, kuri gali pasireikšti, kai besisukanti geležtė prisiliečia prie objekto, kurio ji negali perpjauti. Dėl tokio kontakto geležtė gali akimirksniui nustoti sukstis ir staiga sviesti įrankį nuo objekto, į kurį ji atsitrenkė. Tokia reakcija gali būti gana smarki, dėl kurios dirbantysis asmuo gali įrankio nesuvaldyti. Geležtės sviedimas gali pasireikšti be įspėjimo, jei geležtė užsikabina, ji sulėtėja ar yra suvaržoma. Didesnė tikimybė, kad tai gali atsitikti yra dirbant tokiose vietose, kuriose sunku matyti pjaunamą medžiagą.
- Kad darbą atlikti būtų lengviau ir saugiau, žolę pradėkite pjauti iš dešinės į kairę. Susidūrus su netikėtu objektu ar medžio gabalu, tokie veiksmai gali sumažinti geležtės sviedimo reakciją. Šį prietaisą visada būtina valdyti abiejomis rankomis.

### SURINKIMAS

#### ĮŠPAKAVIMAS

Žr. 181-182 psl.

Šį produktą būtina sumontuoti.

- Atsargiai išimkite įrankį ir jo priedus iš dėžės. Įsitikinkite, kad pakuotėje yra visos sąraše pažymėtos detalės.
- Gerai patikrinkite įrankį, ar pervežimo metu jis nebuvo

Lietuviškai | 125

EN  
FR  
DE  
ES  
IT  
NL  
PT  
DA  
SV  
FI  
NO  
RU  
PL  
CS  
HU  
RO  
LV  
LT  
ET  
HR  
SL  
SK  
BG  
UK  
TR

apgadintas ar sulaužytas.

#### ⚠️ ĮSPĖJIMAS

Nenaudokite prietaiso, jei trūksta detalių ar jos yra apgadintos tol, kol jos nebus pakeistos. Nepaisydami šių įspėjimų, galite sunkiai susižeisti.

#### DIRŽO LAIKIKLIO REGULIAVIMAS

Žr. 185/189 psl.

Sureguliuokite diržo pakabą į patogią ir subalansuotą padėtį, kad geležtė arba pjoviklio priedas būtų pakabinti tarp 100 mm ir 300 mm virš pagrindo paviršiaus.

#### APSAUGINIO DIRŽO NAUDOJIMAS

Žr. 185/189 psl.

**PASTABA:** Dirbdami įrenginiu būtinai naudokite diržą.

**PASTABA:** Norėdami greitai atjungti įrenginį nuo diržo, staigiai patraukite greito atfiksavimo kilpelę.

#### NAUDOJANT REELEASY™ ŽOLIAPJOVĖS GALVUTĘ IR TRI-ARC™ GELEŽTĘ

- Kai naudojate žolės pjovimo galvutę „ReelEasy™“, prie geležtės apsauginio įtaiso reikia pritvirtinti žolės kreiptuvą. (Žr. 203 psl).
- Naudojant „Tri-Arc™“ geležtę, žolės kreiptuvą reikia nuimti nuo geležtės apsauginio įtaiso. (Žr. 202 psl).

#### ⚠️ ĮSPĖJIMAS

Prieš užvesdami variklį visada ištraukite kaištį, kuriuo užrakinamas krumpļiaratinės pavaros velenas (Žr. 185 p. 4 veiksma).

#### EKSPLOATAVIMAS

##### DEGALAI IR BAKO PRIPILDYMAS

Žr. 184 psl.

- Su kuru visada elkitės atsargiai; jis yra labai degus.
- Jūsų įrankis veikia naudojant 2 taktų variklį, kuriam reikia benzino ir alyvos mišinio 2 taktų varikliams. Maišykite benzina be švino ir alyvą 2 taktų varikliams švariam inde, kuris oficialiai skirtas benzinui laikyti.
- Variklis veikia naudojant automobiliams skirtą benzina be švino, kurio oktaninis skaičius ne mažesnis nei 91 (R+M)/2).
- Nenaudokite benzino/alyvos mišinių, paruoštų degalinėse.
- Naudokite vien tik sintetinę alyvą 2 taktų varikliams. Nenaudokite automobilinio tepalo ar dvitaktiams valčių varikliams skirto tepalo.
- Į kurą įpilkite 2 proc. sintetinės 2-ų taktų variklio alyvos. t.y. santykiu 50-1.
- Prieš kiekvieną bako pripildymą gerai maišykite degalus.
- Maišykite degalus mažais kiekiais. Neruoškite daugiau nei vieno mėnesio naudojimosi ekvivalento. Taip pat mes rekomenduojame jums naudoti 2 taktų varikliams skirtą sintetinę alyvą, kurios sudėtyje yra degalų

stabilizatorius.

#### BAKO PRIPILDYMAS

- Išvalykite degalų baką aplink dangtelį bet kokiam degalų užteršimui išvengti.
- Pamažu atsukite degalų bako dangtelį, kad sumažintumėte slėgį ir išvengtumėte degalų išsiliejimo aplink dangtelį.
- Atsargiai pilkite degalų mišinį į baką. Vengdami jo išsiliejimo.
- Prieš užsukdami dangtelį iš naujo, išvalykite tarpiklį ir įsitinkinkite, kad jis yra geroje būklėje.
- Tuoj pat sugražinkite degalų bako dangtelį į vietą ir tvirtai užsukite jį. Nušluostykite išsiliejusius degalus. Prieš užvesdami variklį, pasitraukite 9 m nuo tos vietos, kur į įrangą pylėte degalus.

#### VARIKLIO ĮJUNGIMAS NAUDOJANTIS ELEKTRINIŲ STARTERIŲ (ISIGYJAMU ATSKIRAI):

Žr. 196-201 psl.

#### ⚠️ ĮSPĖJIMAS

Naudokite tik „Ryobi“ OES18 elektrinį starterį. Naudojant kitokį starterį kyla pavojus sugadinti variklį ir sunkiai susižeisti.

#### ⚠️ ĮSPĖJIMAS

Prieš naudodami elektrinį starterį įrenginio varikliui įjungti, perskaitykite ir išsiaiškinkite visą OES18 elektrinio starterio naudojimo instrukciją, kad išvengtumėte netinkamo naudojimo ir sunkių asmeninių sužalojimų.

- Kaire ranka laikydami izoliuotą veleną, dešine ranka įstatykite starterio antgalio veleną į veleno angą variklyje. Priešingu atveju variklis neveiks.
- Įsitinkinkite, kad starterio antgalis įstatytas tinkamai.

**PASTABA:** Elektriniame starteryje yra apsauginė blokuotė. Įstatydami elektrinio starterio veleną į veleno angą variklyje nespauskite ir nelaikykite paspaudę jungiklio mygtuko. Netinkamai įstačius elektrinį starterį, starteris nesisuks.

#### NEŠIOJAMOSIOS ŽOLIAPJOVĖS NAUDOJIMAS

Žr. 189 psl.

**RBC31SESO:** Dešiniąja ranka suimkite užpakalinę produkto rankeną, o kairiąja ranka – priekinę rankeną.

**RBC31SBO:** Prietaisą laikykite dešine ranka ant perjungiklio rankenos, o kairę ranką ant kairės rankenos.

- Dirbdami, tvirtai laikykite prietaisą abiem rankomis.
- Prietaisą reikia laikyti patogioje padėtyje taip, kad perjungiklio rankeną būtų klubų aukštyje.
- Prietaisą visada naudokite iki galo nuspaudę droselinę rankeną. Ilgesnį laiką pjaunant ne iki galo nuspaudus droselinę rankeną, alyva gali pradėti tekėti iš slopintuvo.
- Aukštą žolę nupjaukite nuo viršaus žemyn, kad žolė neapsivyniotų aplink veleną ir juostos galvutę, nes, priešingu atveju, galvutė gali būti pažeista dėl perkaitimo.
- Jei aplink pjovimo priedą apsvyniojo žolės ar šiukšlių,



išjunkite variklį. Užsimaukite storas pirštines, kad nesusižeistumėte į aštrias geležtes, ir atsargiai pašalinkite šiukšles.

- Nespauskite įrenginio į pjaunamą žolę. Judinkite iš vienos pusės į kitą. Kiekvieno mosto pabaigoje paeikite šiek tiek į priekį.
- Prietaisą laikykite kilstelėję link pjaunamos vietos.
- Prietaiso nenaudokite pavojingoje aplinkoje.
- Pjaukite juostos galiuku; juostos galvutės jėga nespauskite prie nenupjautos žolės.
- Dėl vielinės ar kuolų tvoros juosta greičiau nusidėvi arba gali net nutrūkti. Juosta gali greitai nusidėvėti pjaunant prie akmeninės ar plytų sienos, šaligatvio krašto ir medžio.
- Venkite medžių ir krūmų. Juosta gali lengvai pažeisti medžio žievę, medines dekoracijas, plakiruotes ir tvoros stulpus.

## DARBAS SU KRŪMAPJOVE

Žr. 192 psl.

Kad išvengtumėte atatranksio pavojaus: Nespauskite įrenginio į pjaunamą medžiagą. Judinkite įrenginį iš dešinės į kairę stabiliais mostais. Kiekvieno mosto pradžioje paeikite šiek tiek į priekį.

**RBC31SESO:** Dešiniąją ranką suimkite užpakalinę produkto rankeną, o kairiąją ranką – priekinę rankeną.

**RBC31SBO:** Prietaisą laikykite dešine ranka ant perjungiklio rankenos, o kairę ranką ant kairės rankenos.

- Prietaisą reikia laikyti patogioje padėtyje taip, kad perjungiklio rankena būtų klubų aukštyje.
- Tvirtai laikykite įrankį ir stovėkite ant abiejų kojų, kad išlaikytumėte pusiausvyrą. Atsistokite taip, kad neprarastumėte pusiausvyros įvykus pjovimo geležtės atatrakai.
- Juostų laikiklį nustatykite patogiai darbai padėčiai.
- Kai su šiuo gaminiu naudojama geležtė, būkite ypač atsargūs. Geležtės sviedimas yra tokia reakcija, kuri gali pasireikšti, kai besisukanti geležtė prisiliečia prie objekto, kurio ji negali perpjauti. Dėl tokio kontakto geležtė gali akimirksniui nustoti suktis ir staiga sviesti įrankį nuo objekto, į kurį ji atsitrenkė. Tokia reakcija gali būti gana smarki, dėl kurios dirbantysis asmuo gali įrankio nesuvaldyti. Geležtės sviedimas gali pasireikšti be įspėjimo, jei geležtė užsikabina, ji sulėtėja ar yra suvaržoma. Didesnė tikimybė, kad tai gali atsitikti yra dirbant tokiose vietose, kuriose sunku matyti pjaunamą medžiagą. Kad darbą atlikti būtų lengviau ir saugiau, žolę pradėkite pjauti iš dešinės į kairę. **Susidūrus su netikėtu objektu ar medžio gabalu, tokie veiksmai gali sumažinti geležtės sviedimo reakciją.**

## GABENIMAS IR LAIKYMAS

- Prieš padedant į sandėlį arba išgabenant, kultivatorių reikia sustabdyti ir palaukti, kol jis atšals.
- Nuo įrankio nuvalykite visas pašalines medžiagas.
- Jeigu geležtė sumontuota, uždenkite ją geležtės apsaugu.
- Išpilkite visus bako likusius degalus į indą, oficialiai

skirtą benziniui laikyti. Neužmirškite tinkamai užsukti ir priveržti degalų bako dangtelį.

- Tegul variklis sukasi, kol jis sustos. Tai pašalina visus degalus, kurie gali pasenti ir degalų sistemoje palikti laką bei gumą.
- Laikykite vėsioje, sausoje, gerai vėdinamoje ir vaikams nepasiekiamoje vietoje. Nelaikykite jo arti nuo tokių koroziją sukeliančių reagentų kaip cheminės sodininkystės medžiagos arba druskos, naudojamos prieš apledėjimą. Nelaikykite lauke.
- Paruošiant gabenimui, gaminį reikia pritvirtinti, kad nejudėtų ir nenukrsitų, nes priešingu atveju jis gali sužaloti žmones arba sugesti pats.
- Niekada neneškite ir negabenkite prietaiso, kai jis veikia.
- Remkitės nacionaliniais ir vietiniais įstatymais dėl degalų saugojimo ir manipuliavimo jais. Jūs galite panaudoti likusius degalus kitame dviejų taktų varikliu aprūpintame įrankyje.

## TRUMPALAIKĖ

- Prieš padėdami įrenginį sandėliuoti išjunkite variklį ir palaukite, kol jis atvės.
- Nuo įrankio nuvalykite visas pašalines medžiagas.
- Laikykite vėsioje, sausoje, gerai vėdinamoje ir vaikams nepasiekiamoje vietoje.
- Nelaikykite jo arti nuo tokių koroziją sukeliančių reagentų kaip cheminės sodininkystės medžiagos arba druskos, naudojamos prieš apledėjimą.
- Nelaikykite lauke.

## PRIEŽIŪRA

### ⚠ ĮSPĖJIMAS

Keitimui naudokite tik originalias gamintojo atsargines dalis. Neoriginalios dalys gali būti sužeidimų ir įrenginio blogo veikimo priežastis, ir dėl to gali būti anuliuotas garantinis pažymėjimas.

### ⚠ ĮSPĖJIMAS

Tuščiaiegiu režimu pjovimo antgalis neturi suktis. Jei šio nurodymo nesilaikoma, būtina nustatyti sankabą arba kvalifikuotas techninis darbuotojas turi atlikti įrankio skubų remontą.

### ⚠ ĮSPĖJIMAS

Jeigu kuro dangtelis pralaidus, gali kilti gaisro pavojus, todėl dangtelį būtina nedelsiant pakeisti.

EN

FR

DE

ES

IT

NL

PT

DA

SV

FI

NO

RU

PL

CS

HU

RO

LV

LT

ET

HR

SL

SK

BG

UK

TR

### ⚠️ ĮSPĖJIMAS

Atminkite, kad geležtės veržlė yra su nailoniniu įdėklų, todėl montuojant ją galima naudoti tik vieną kartą. Nenaudokite veržlės su nailoniniu įdėklų pakartotinai. Kiekvieną kartą atlikdami montavimo darbus naudokite naują veržlę su nailoniniu įdėklų. Vieno iš šių nurodymų nesilaikymas gali sukelti sunkių kūno sužalojimų.

### ⚠️ ĮSPĖJIMAS

Montuodami peilį, veržlę būtina užveržkite  $\geq 25\text{Nm}$  jėga. Vieno iš šių nurodymų nesilaikymas gali sukelti sunkių kūno sužalojimų. (žr. 202 p. 4 veiksmą).

- Prieš atliekant priežiūros darbus, variklį būtina sustabdyti ir palaukti, kol jis atvės.
- Prietaisą galite reguliuoti ir remontuoti, kaip aprašyta šiame naudotojo vadove. Kitą įrankio remontą turi atlikti tik įgaliotas techninės priežiūros atstovas.
- Pasekmės dėl netinkamos priežiūros gali būti šios: per didelės anglies dioksido sankaupos, dėl kurių gali suprastėti įrankio darbas; bei juodos, alyvos formos atliekos, tekančios iš slopintuvo.
- Seną stygą keisti tik nailono pluošto styga, kurios skersmuo nurodytas šio vadovo specifikacijų lentelėje.
- Ištiesus naują pjovimo įtaiso lyną, prieš pradėdamas darbą, reikia būtina gražinti įrenginį į jo įprastą darbo padėtį. Po kiekvieno naudojimo, išvalykite įrenginį sausu švelnaus audinio gabalėliu.
- Visos apsauginės detalės, laikymo juostos, kreiptuvai ir rankenos turi būti tinkamai ir saugiai pritvirtinti, kad išvengtumėte sužeidimų pavojaus.

### PRIEŽIŪROS TVARKARAŠTIS

Patikrinkite, kad tvirtiklis būtų iki galo priveržtas	Prieš kiekvieną naudojimą
Patikrinkite: Tuščiaiegiu režimu pjovimo antgalis neturi sukintis. <sup>2</sup>	Prieš kiekvieną naudojimą
Patikrinkite degalų žarną	Prieš kiekvieną naudojimą
Patikrinkite visas žarnų jungtis	Prieš kiekvieną naudojimą
Išvalykite degalų baką ir filtrą <sup>1</sup>	Po 3 mėnesių arba po 50 eksploatacijos valandų
Pakeiskite kuro filtrą <sup>1</sup>	Kasmet arba po 300 eksploatacijos valandų
Patikrinkite degalų bako dangtelio arba degalų bako garų išleidimo angos (jei įrengta) sandarumą	Prieš kiekvieną naudojimą
Išvalykite oro filtrą.	Kas 25 valandas
Pakeiskite oro filtrą	Kasmet arba po 300 eksploatacijos valandų

Nuvalykite arba sureguliuokite uždegimo žvakę	Po 3 mėnesių arba po 100 eksploatacijos valandų
Pakeiskite kuro filtrą	Kasmet arba po 300 eksploatacijos valandų
Nuvalykite kibirkščių gaudyklį	Kas 25 valandas
Kibirkščių gesintuvą pakeiskite nauju.	Kasmet arba po 300 eksploatacijos valandų
Išmetamosios angos ir slopintuvo valymas	Kas 25 valandas

1 Šiuos darbus reikia atlikti tik įgaliotame techninės priežiūros centre.

2 Jei šio reikalavimo nėra laikomasi, kreipkitės į įgaliotą techninės priežiūros centrą, kad būtų atliktas remontas arba reguliavimas.

### ŠALUTINIAI PAVOJAI

Net naudojant gaminį pagal nurodymus, neįmanoma visiškai atmesti visų pavojaus veiksnių. Gali kilti toliau nurodyti pavojai, todėl operatorius turi būti itin dėmesingas, kad išvengtų šių dalykų:

- Sąlytis su pjovimo įtaisais.
  - Kai įrenginys nenaudojamas, geležčių apsauginiai dėklai turi būti uždėti. Rankas ir kojas reikia visada laikyti atokiai nuo geležčių.
- Vibracijos sukeltas sužalojimas.
  - Kiekvieną darbą atlikite jam skirtu įrankiu, naudokite atitinkamas rankenas ir ribokite darbo bei buvimo sveikatai žalingoje aplinkoje laiką.
- Klausos pakenkimas dėl buvimo triukšme.
  - Dėvėkite akių apsaugą ir ribokite poveikio trukmę.
- Akių traumas dėl ištiškusių nuolaužų.
  - Būtina dėvėti akių apsaugą.
- Krintančių objektų pavojus
  - Jei yra krintančių objektų pavojus, užsidėkite apsauginį šalmą.

Naudojant krūmapjovę galite patirti atatranks jėgos poveikį. Tinkamas valdymas užtikrinamas tik abiem rankomis laikant įrenginį už atitinkamų rankenų. Perskaitykite kitose šios instrukcijos vietose pateiktus nurodymus ir laikykitės jų, tai padės išvengti atatranks pavojaus.

### RIZIKOS MAŽINIMAS

Turime pranešimų, kad vibracija nuo ranka laikomų įrankių kai kuriems asmenims gali turėti neigiamos įtakos vystantis Raynaud sindromui. Šios ligos požymiai yra pirštų dilgčiojimas, nutirpimas ir pabalimas, paprastai pasireiškiantis nuo šalčio. Šie simptomai vystosi dėl paveldimų veiksnių, nesisaugant nuo šalčio ir drėgmės, dėl mitybos, rūkymo ir darbo praktikos. Operatorius gali imtis šių priemonių, kurios gali sumažinti vibracijos poveikį:

- Apsirenkite nuo šilčiau šaltu oru. Naudojant gaminį, reikia mūvėti pirštines, kad plaštakos ir riešai neatšaltų. Turime pranešimų, kad Raynaud sindromas labiausiai vystosi nuo šalto oro sąlygų.
- po darbo kiekvieną kartą pasportuokite, kad pagerėtų kraujo apytaka;

- Prieš užvesdami prietaisą patikrinkite, ar jis teisingai pastatytas nurodytoje darbinėje padėtyje.
- Atribokite darbo laikotarpį per dieną. dažnai darykite darbo pertraukas.

Jei jums pasireiškia kokie nors šios būklės simptomai, nedelsdami nutraukite darbą ir kreipkitės į gydytoją.

### ⚠️ ĮSPĖJIMAS

Ilgiau naudojant, įrankis kelia sužeidimų pavojų ir apsunkina darbą. Ilgiau naudojant įrankius, reikia reguliariai daryti pertraukas.

### PAŽINKITE SAVO GRANDININĮ PJŪKLĄ

1. Starterio rankena
2. Kuro dangtelis
3. RBC31SBO: Rankena
4. RBC31SBO: Varomasis velenas
5. Geležtės apsauginis gaubtas
6. Žolės kreiptuvas
7. Nailoninė veržlė
8. Geležtės tarpinė detalė
9. Taurės formos poveržlė
10. Geležtės apsauginis gaubtas
11. „Tri-Arc“ geležtė
12. Viršutinis lyno galvutės korpusas
13. Ritė
14. Apskritoji rankenėlė
15. Apatinis lyno galvutės korpusas
16. Pjovimo linija
17. RBC31SBO: Perjungiklio blokuotė
18. RBC31SBO: Akceleratoriaus mygtukas
19. Uždegimo spynėlė
20. RBC31SBO: Perjungiklio užraktas
21. Juostos laikiklis
22. RBC31SESO: Apatinis velenas
23. RBC31SESO: Rankenėlė
24. RBC31SESO: Viršutinis strypas
25. RBC31SESO: Priekinė rankena
26. RBC31SESO: Akceleratoriaus mygtukas
27. RBC31SESO: Perjungiklio užraktas

### SIMBOLIAI ANT ĮRENGINIO



Pranešimas apie saugumą



Prieš naudodami įrenginį, atidžiai perskaitykite instrukcijas, laikykitės įspėjimų ir saugos nurodymų.



Dėvėkite akių, ausų ir galvos apsaugą.



Naudodamiesi šiuo gaminiu visada avėkite avalynę neslystančiais padais.



Mūvėkite neslystančias, tvirtas apsaugines pirštines.



Saugokitės išmetamų arba skrendančių objektų. Visi pašaliniai asmenys, ypač vaikai ir naminiai gyvūnai, turi būti ne arčiau kaip 15 m nuo darbo vietos.

Šio gaminio negalima naudoti su pjūklo dantyta geležte.

Siekiant išvengti sužeidimų arba turto sugadinimų, neprilieskite prie karštų paviršių.

Rankas laikykite toliau nuo geležčių.

Garantuotas akustinis lygis

Veikimo padėtis

Nustatykite droselio svirtį į "Full" droselio padėtį.

Nustatykite droselio svirtį į "Half" droselio padėtį.

Laukimo laikas 10 sekundžių

UŽPILDYMAS

Paspauskite užvedimo lemputę 10 kartų.

Patraukite starterio trosą

Norint paleisti, reikia paspausti droselio spragtuką.

Droselį užrakinkite padėtyje, nuspaudę droselio užrakto mygtuką.

Naudokite benziną be švino, skirtą automobiliams, su oktaniniu skaičiumi 91 ((R+M)/2) arba didesniu.

Naudokite dvitaškio variklio alyvą oru aušinamiems varikliams.

Kuro mišinį gerai išmaišykite, tai taip pat būtina atlikti kiekvieną kartą prieš pildant kurą.

Šalto variklio užvedimas rankomis

Šilto variklio užvedimas rankomis

Šalto variklio užvedimas elektriniu paleidikliu

Šilto variklio užvedimas elektriniu paleidikliu

Tiesaus veleno simbolis: Kai pjovimui dedama lyno ritė, šis simbolis turi būti matomas operatoriui.



Su šiuo prietaisu galima naudoti geležtę „Tri-Arc“, ji tinka sumedėjusioms piktžolėms ir vijoliniams augalams pjauti



Saugokitės geležtės stumiamosios jėgos



Sukimosi kryptis ir didžiausias pjovimo priedo veleno sukimosi greitis.



Traukti  
Greito atleidimo fiksatorius



Šis prietaisas atitinka visas reglamentuotas normas ES šalies, kur jis buvo nupirktas.



„EurAsian“ atitikties ženklas



Ukrainos atitikties ženklas

Šie signaliniai žodžiai yra skirti nurodyti su prietaisu naudojimu susijusio pavojaus lygį.

#### **PAVOJUS**

Reiškia ypač pavojingą padėtį, kurios neišvengus bus patirti sunkūs ar net mirtini sužeidimai.

#### **ĮSPĖJIMAS**

Reiškia potencialiai pavojingą situaciją, kurios neišvengus galimi sunkūs ar net mirtini sužeidimai.

#### **ATSARGIAI**

Reiškia potencialiai pavojingą situaciją, kurios neišvengus galimi lengvi ar vidutinio sunkumo sužeidimai.

#### **ATSARGIAI**

Be įspėjamųjų simbolių

Reiškia nuosavybės žalos tikimybę.

#### **SIMBOLIAI VADOVE**



Pastaba



Įspėjimas!

Võsalõikuri/mururtrimeri juures on peetud esmatähtsaks selle ohutust, töövõimet ja töökindlust.

### OTSTARBEKOHANE KASUTAMINE

Võsalõikurit/mururtrimerit tohivad kasutada täiskasvanud, kes on lugenud läbi selles kasutusjuhendis olevad juhised ja hoiatused ning saavad neist aru, ja kes suudavad oma tegevuse eest vastutada. See seade on ette nähtud kasutamiseks vaid väljaspool ruume, hästiventileeritud kohas. Ohutuse tagamise eesmärgil peab töötamise ajal hoidma tööriista kahe käega, et seda saaks piisavalt kontrollida.

Mururtrimeri peaga (ja sobiva kaitsega) toode on mõeldud kõrge rohu, umbrohu ja sarnaste taimede eemaldamiseks maapinnalt või maapinna lähedalt. Koos Tri-Arc™ lõiketeraga (ja vastava kaitsekatega) saab sellega lõigata ka põõsaid. Selle tootega ei saa kasutada saetera.

Lõiketasapind peab olema maapinnaga ligikaudu paralleelne. See seade ei ole ette nähtud hekkide, põõsaste või muude taimede lõikamiseks lõiketasapinnas, mis ei ole maapinnaga paralleelne.

Ärge kasutage ühekski muuks otstarbeks.

#### ⚠ HOIATUS

Vigastusohu vähendamiseks peab kasutaja lugema ja mõistma kasutusjuhendit.

#### ⚠ HOIATUS

Enne toote kasutamist lugege tähelepanelikult läbi ja tehke endale selgeks kasutusjuhendis olevad juhised ja ohutuseeskirjad. Juhiste eiramine võib põhjustada elektrilöögi, tulekahju ja/või raske kehavigastuse. Hoidke kasutusjuhend alles ja lugege seda perioodiliselt, et tagada ohutu töötamine ning juhendada teisi, kes võivad seda tööriista kasutada.

#### ⚠ HOIATUS

Seade ei ole ette nähtud kasutamiseks laste või nende isikute poolt, kellel on piiratud füüsilised, vaimsed või sensoorsed võimed. Laste järele tuleb piisavalt valvata, et nad seadmega ei mängiks.

### OHUTUSE ÜLDEESKIRJAD

- Ohutuse tagamiseks lugege enne toote kasutamist kõik juhised läbi ja veenduge, et olete neist aru saanud. Järgige kõiki ohutuseeskirju. Allpool loetletud ohutuseeskirjade mittejärgimine võib kaasa tuua tõsisid kehavigastusi.
- Mõnedes piirkondades on seadused, mis piiravad selle toote kasutamist. Lisateavet saate kohaliku omavalitsusest.
- Ärge lubage seadet kasutada lastel ega väljaõppeta isikutel.
- Ärge käivitage ega käitage mootorit suletud või halvasti ventileeritud kohas, sest heitgaasid võivad olla surmavad.

- Enne töö alustamist tuleb tööpiirkond alati korrastada. Eemaldage kõik esemed nagu kivid, klaasikillud, naelad, traadid või nõõrid, mis võivad lendu paiskuda või lõikeseadmesse kinni jääda.
- Kandke selle seadme kasutamisel kaitseprille ja kõrvaklappe. Töötamisel kohtades, kus on allakukkivate esemete oht, tuleb kanda kiivrit.
- Kuulmiskaitse võib takistada kasutajat kuulda hoiatussignaale. Põõrake tähelepanu tööpiirkonnas ja selle ümbruses olevatele ohtudele.
- Kandke tugevast riidest pikki pükse, mittelibisevaid jalgakindaid ja kindaid. Ärge kandke lõtvu riideid, lühikesi pükse, mistahes ehteid ega töötage paljajalu.
- Kinnitage pikad juuksed õlgadest kõrgemale, et vältida nende takerdumist liikuvate osade vahele.
- Hoidke kõik kõrvalseisjad, lapsed ja lemmikloomad vähemalt 15 meetri kaugusel. Kui keegi tööpiirkonda siseneb, siis seisake kultivaator.
- Ärge kasutage seadet väsinuna või haigena ega siis, kui olete uimaste, alkoholi või ravimite mõju all.
- Ärge kasutage seadet halva valgustatuse korral. Kasutajal peab tööpiirkonnale olema selge väljavaade, et tuvastada võimalikud ohud.
- Hoidke end pidevalt jalgedel ja tasakaalus. Ärge kummardage. Liigse väljaküünitamise korral võite kaotada tasakaalu või puutuda vastu kuumasid pindasid.
- Hoidke kõik kehaosad liikuvatest osadest eemal.
- Ärge katsuge toote summuti või trummeli ümbrust - töötamise ajal lähevad need kuumaks.
- Peatage mootor ja laske sel maha jahtuda alati enne reguleerimistõid.
- Kütuse segamise või tankimise ajal ärge suitsetage.
- Kütusesegu segage ja hoidke kütuse jaoks heaks kiidetud nõus.
- Segage kütust välitingimustes, kus pole tuleohtu. Pühkige ära mahavoolanud kütus. Enne mootori käivitamist mingi tankimiskohast 9 meetri kaugusele.
- Enne kütuse lisamist peatage mootor ja laske tootel maha jahtuda.
- Enne teisaldamist laske mootoril maha jahtuda, tühjendage kütusepaak ja kinnitage sõidukile, et see liikuma ei hakkaks.
- Enne järgmisi toiminguid seisake alati mootor ja veenduge, et kõik masinaosad on on seiskunud.
  - teenindamine
  - toote jätmisel järeilvalveta
  - toote puhastamine
  - lisatarvikute vahetamine
  - blokeerivate puhastamiseks
  - kõikide vigastuste ülekontrollimine pärast lööki mõne eseme vastu
  - kõikide vigastuste ülekontrollimine kui toode hakkab ebanormaalselt vibreerima
  - hooldustööde tegemine
  - lõiketera eemaldamist
  - tera paigaldamist

EN  
FR  
DE  
ES  
IT  
NL  
PT  
DA  
SV  
FI  
NO  
RU  
PL  
CS  
HU  
RO  
LV  
LT  
**ET**  
HR  
SL  
SK  
BG  
UK  
TR

### ⚠ HOIATUS

Ärge kunagi kasutage lõikevahendeid või tarvikuid, mida ei ole selles kasutusjuhendis Ryobi poolt nimetatud. See hõlmab metallist lülidega kette ja muruõhutaja terasid. Kasutamisel kipuvad need tarvikud purunema ja kujutavad endast raskete vigastuste ohtu tööriista kasutajale või kõrvalseisjatele.

### ⚠ HOIATUS

Kontrollige pärast mahakukkumist või saadud lööki Kontrollilge saag hoolikalt üle ja tehke kindlaks võimalikud rikked ja vigastused. Vigastatud osad tuleb lasta pädeval hooldajal parandada või asendada.

### MURUTRIMMERI OHUTUSNÕUDED

- Kui jõhvipea on pragunenud, kildunud või mingil muul viisil vigastatud, siis tuleb see asendada. Veenduge, et trimmeri pea on korralikult paigaldatud ja turvaliselt kinnitatud. Selle nõude eiramine võib põhjustada tõsiseid vigastusi.
- Vältige märjas rohus kasutamist.
- Ärge liikuge seadme kasutamisel selg ees.
- Töötamisel kõndige, ärge kunagi jookske.
- Lõikeriista kaitsekatte külge kinnitatud väike lõiketera lõikab uue liiga pika jõhvi parajaks, et tagada turvaline ja parim sooritusvõime. See on väga terav; ärge seda puudutage, eriti toodet puhastades.
- Veenduge, et ventilatsioonivad on kogu aeg prahist puhtad.
- Enne töötamise alustamist kontrollige, et seadme osad ei ole vigastatud. Kontrollige lõikeorganit, et ei oleks pragunemise või vigastumise tunnuseid. Vigastatud lüliti ja vigastatud osad tuleb lasta pädeval hooldajal parandada või asendada.
- Veenduge, et lõikepea on õigesti paigaldatud ja kindlalt kinnitatud.
- Kontrollige, et kõik kaitsed, deflektorid, käepidemed, poldid ja kinnitusdetailid on õigesti ja turvaliselt kinnitatud.
- Ärge muutke toodet mitte mingil viisil. See võib suurendada vigastuste ohtu teile endale või teistele isikutele.
- Lõikepea jaoks kasutage ainult tootja varujõhvi. Ärge kasutage mingit muud lõikeorganit.
- Ärge kunagi töötage, kui toote lõikeriista kaitsekate ei ole paigal ja heas seisukorras.
- Trimmerdamise ajal hoidke tugevasti mõlemast käepidemest. Hoidke trimmeri pea võõkohast allpool. Ärge mingil juhul kasutage jõhvpead kõrgemal kui 76 cm maapinnast.

### VÖSALÕIKURI OHUTUSNÕUDED

- Lisaks eespool olevatele eeskirjadele, on need lisajuhised asjakohased, kui toodet kasutatakse võsälõikurina.
- Lõiketerade paigaldamisel ja eemaldamisel kasutage kaitsekindaid; lõiketeradel on teravad servad.

- Ärge püüdke pöörlevat lõiketera puudutada või mingil moel peatada.
- Liikuv tera võib põhjustada raskeid vigastusi. Säilitage vajalik kontroll tööriista üle, hoides seda mõlema käega, kuni tera on lõplikult pöördemise lõpetanud.
- Vigastatud lõiketera tuleb igal juhul asendada. Alati enne kasutamist veenduge, et tera on nõuetekohaselt paigaldatud ja kindlalt kinnitatud.
- Kasutage ainult tootja varuosadena tarnitud lõiketerasid Tri-Arc. Ärge kasutage mingit muud lõikeorganit.
- Ärge kunagi lõigake materjali, mille läbimõõt on suurem kui 13 mm.
- Võsälõikur on varustatud kanderihmaga. Kohandage kanderihmad hoolikalt, et need aitaksid mugavalt taluda teie paremal küljel asuva toote kaalu.
- Tehke kindlaks, kuidas kasutada kiirvabastusmehhanismi ja proovige seda enne kasutamise alustamist. Selle õige kasutamine võimaldab ära hoida hädaolukorras tekkida võiva raske kehavigastuse. Ärge mingil juhul kandke rakmete peal riietusesemeid, midu piirate juurdepääsu kiirvabastusmehhanismile.
- Enne seadme hoivulepanekut või transportimise alustamist katke lõiketera selleks ettenähtud kaitsekattega. Võtke tera kaitsekate enne seadme kasutamist maha. Kui seda ei eemaldata, paikub terakaitse lõiketera pöörlema hakkamisel välja.
- Seadme kasutamisel lõiketeraga olge äärmiselt ettevaatlik. Kui tera pörkub millegi vastu, mida ta ei suuda läbi lõigata, siis tekib pörkumisreaktsioon. Selline kokkupuude võib põhjustada lõiketera viivitamatut seiskumise ja seade võib ootamatult pörkuda objektist, mille vastu see löögi sai. See reaktsioon võib olla nii tugev, et kasutaja kaotab seadme üle kontrolli. Tera pörkumine võib ilmnedda ilma hoiatamata kui lõiketera rebeneb, seiskub või kinni jääb. See võib suurema tõenäosusega ilmnedda kohtades, kus mahalõigatavat materjali on raske näha.
- Lõikamise kergendamiseks ja ohutuse tagamiseks tuleb umbrohtu lõigata paremalt vasakule. Juhul, kui on oodata ettearvamatuid objekte või kändusid, võib nimetatud tööviis minimeerida vastulöögi reaktsiooni. Hoidke töötamise ajal tööriistast alati kahe käega kinni.

### KOKKUPANEK

#### LAHTIPAKKIMINE

Vt leht 181-182.

Seade on vaja enne kasutamist kokku panna.

- Võtke tööriist ja tarvikud ettevaatlikult karbist välja. Veenduge, et kõik pakkelehel loetletud osad on olemas.
- Uurige tööriista põhjalikult, et veenduda tarne ajal tekkida võinud mõrade või kahjustuste puudumises.

### ⚠ HOIATUS

Kui mõni osa on kahjustunud või puudu, ärge kasutage seda seadet enne, kui vastav osa on asendatud. Selle hoiatuse eiramine võib põhjustada raskeid vigastusi.

## ÕLARAKMETE KINNITUSKONKSU REGULEERIMINE

Vt leht 185/189.

Reguleerige õlarakmete kinnituskonksu nii, et trimmer on mugavas ja stabiilses asendis ning lõiketera ripub 100 mm kuni 300 mm maapinnast kõrgemal.

## ÕLARAKMETE KASUTAMINE

Vt leht 185/189.

**MÄRKUS.** Kasutage tööriista alati koos kanderihmaga.

**MÄRKUS.** Et tööriista kiiresti rihma küljest eemaldada, tõmmake järsult kiiravatavast triipist.

## REELEASY™ MURUTRIMMERIPEA JA TRI-ARC™ LÕIKETERA KASUTAMINE

- Kasutades ReelEasy™ murutrimmeripead, peab muru deflektor olema kinnitatud terakaitse külge. (Vt leht 203).
- Kui kasutate lõiketera Tri-Arc™, tuleb rohusuunaja lõikeketta kaitsekattelt eemaldada. (Vt leht 202).

### ⚠ HOIATUS

Enne mootori käivitamist eemaldage alati ülekandevõlli lukustustihvt (vt lk 185, samm 4)

## KASUTAMINE

### KÜTUS JA TANKIMINE

Vt leht 184.

- Käsitsege kütust alati ettevaatlikult, sest see on kergsüttiv.
- Sellel tootel on kahetaktiline mootor, mis vajab bensiini ja kahetaktilise õli eelnevat segamist. Segage pliivaba bensiin ja kahetaktiline õli puhtas bensiinkonteineris.
- Mootori töökas on vajalik pliivaba autobensiini oktaanarvuga 91 või enam.
- Ärge kasutage bensiinjäämades saadavat eelnevalt segatud bensiini ja õli segu.
- Kasutage üksnes sünteetilist kahetaktilise mootori õli. Ärge kasutage autodele mõeldud mäaret ega 2-taktiilist välispidist mäaret.
- Segage bensiini sisse 2% 2-taktiilise mootori õli. Suhe on 50:1.
- Segage kütust põhjalikult ja korraldage segamist ka enne iga tankimist.
- Segage kütust väikestes kogustes. Ärge segage koguseid, millest jätkub enam kui 30 päevaks. Soovitatav on kasutada sünteetilist kahetaktilise mootori õli, mis sisaldab kütusestabilisaatorit.

### TANKIMINE

- Saastumise vältimiseks puhastage paagi korgi ümbrus.
- Keerake kork aeglaselt lahti, et alandada rõhku ja vältida kütuse mahavoolamist.
- Valage kütusesegu ettevaatlikult paaki. Vältige mahaloksumist.
- Enne korgi tagasiasetamist puhastage paak.
- Asetage kork kohe tagasi ja pingutage käsitsi. Pühkige

ära mahavoolanud kütus. Enne mootori käivitamist minge tankimiskohast 9 m (30 jala) kaugusele.

## MOOTORI KÄIVITAMINE ELEKTRILISE STARTERI (LI-SAVARUSTUS) ABIL:

Vaata joonist 196-201.

### ⚠ HOIATUS

Kasutage ainult elektrilist starterit Ryobi OES18. Mõne teise starteri kasutamine võib mootorit kahjustada ja tekitada raskeid kehavigastusi.

### ⚠ HOIATUS

Enne tööriista käivitamist elektrilise starteri abil lugege läbi ja tehke endale selgeks elektrilise starteri OES18 kasutusjuhend, et vältida selle väärä käsitlemist ja raskeid kehahäireid.

- Hoidke vasaku käega isoleeritud varrest ja pange starteri otsiku võlli mootori võlliauku. Muidu mootor ei tööta.
- Veenduge, et starteri tarkiv on korralikult haakunud.

**MÄRKUS.** Elektrilisel starteril on turvablokeerimine. Ärge vajutage ega lülitage, kui ühendate elektrilise starteri võlli mootoriga. Starter ei liigu, kui elektriline starter ei ole korralikult haakunud.

### MURUTRIMMERI KASUTAMINE

Vt leht 189.

**RBC31SESO:** Hoidke tööriista tagumisest käepidemest parema käega ja eesmisest käepidemest vasaku käega.

**RBC31SBO:** Hoidke seadet parema käega päästiku käepidemest ja vasaku käega vasakust käepidemest.

- Säilitage töö ajal mõlema käega kindel haare.
- Seadet tuleks hoida mugavas asendis, kus päästiku käepide oleks umbes puusa kõrgusel.
- Töötage trimmeriga alati täispöoretel. Pikemaajaline lõikamine osalistel pööretel põhjustab õli tilkumist summutist.
- Niitke pikka rohtu ülevalt alla, et vältida rohu mähkumist ümber võllikorpuse ja jõhvipea, mis võib ülekuumenemise tõttu vigastusi põhjustada.
- Kui muru või prügi keerdub ümber lõiketerade, peatage mootor. Et vältida lõiketeradega kokkupuutel tekkivaid vigastusi, kandke vastupidavaid kindaid ja eemaldage prügi ettevaatlikult.
- Ärge suruge lõigatavasse rohusesse. Liigutage küljest küljele. Iga viibutuse järel liikuge veidi edasi.
- Hoidke seadet kallutatuna niidetava ala suhtes.
- Ärge töötage ohtlikes keskkondades.
- Kasutage lõikamiseks jõhvi otsa, ärge suruge jõhvipead niitmata rohu sisse.
- Traat- ja lattaed põhjustavad jõhvi täiendavat kulumist või isegi katkemist. Kivi- ja tellisseinad, äärekivid ja puutosad võivad jõhvi kiiresti ära kulutada.
- Vältige puid ja põõsaid. Puukoor, puitalad, voodiraud ja aiapostid võivad jõhviga hõlpsalt vigastada saada.

## VÖSALÖIKURI KASUTAMINE

Vt leht 192.

Tagasilöögi ohu vähendamiseks: ärge suruge lõigatavasse materjali. Liigutage paremalt vasakule ühtlaste viibutustega. Iga uue viibutuse eel liikuge veidi edasi.

**RBC31SESO:** Hoidke tööriista tagumisest käepidemest parema käega ja eesmisest käepidemest vasaku käega.

**RBC31SBO:** Hoidke seadet parema käega päästiku käepidemest ja vasaku käega vasakust käepidemest.

- Seadet tuleks hoida mugavas asendis, kus päästiku käepide oleks umbes puusa kõrgusel.
- Haarake kindlalt kinni ja toetuge mõlemale jalale. Hoidke oma keha nii, et lõiketera tagasilöögi reaktsioonijõud ei vii teid tasakaalust välja.
- Seadke riputusrihmad mugavasse asendisse.
- Seadme kasutamisel lõiketeraga olge äärmiselt ettevaatlik. Kui tera pörkub millegi vastu, mida ta ei suuda läbi lõigata, siis tekib pörkumisreaktsioon. Selline kokkupuude võib põhjustada lõiketera viivitamatu seiskumise ja seade võib ootamatult pörkuda objektist, mille vastu see löögi sai. See reaktsioon võib olla nii tugev, et kasutaja kaotab seadme üle kontrolli. Tera pörkimine võib ilmuda ilma hoiatamata kui lõiketera rebeneb, seiskub või kinni jääb. See võib suurema tõenäosusega ilmuda kohtades, kus mahalõigatavat materjali on raske näha. Lõikamise kergendamiseks ja ohutuse tagamiseks tuleb umbrohtu lõigata paremalt vasakule. **Juhul, kui on oodata ettearvamatuid objekte või kändusid, võib nimetatud tööviisi minimeerida vastulöögi reaktsiooni.**

## TRANSPORTIMINE JA HOUSTAMINE

- Enne hoiule paneku või teisaldamise alustamist seisake mootor.
- Puhastage seade kõikidest võrkehadedest.
- Kui lõiketera on paigas, katke see kaitsekattega.
- Kallake kogu kütus paagist kütusemahutisse. Ärge unustage kütusekorki korralikult tagasi panna ja kinnitada.
- Laske mootoril töötada kuni peatumiseni. See eemaldab kütusepaagist kogu kütuse, mis muidu võib vanaks minna ning jätta küttesüsteemi vaiku jms.
- Hoidke kuivas ja hästi ventileeritud kohas, mis on lastele juurdepääsmatu. Hoidke kettsaagi eemal söövitavatest ainetest nagu aiakemikaalid ja jäätõrjevahendid. Ärge hoiustage õues.
- Vedamise ajal tõkestage kultivaator liikuma hakkamise ja aia kukkumise vastu, et vältida kehavigastusi ja masinaosade kahjustamist.
- Ärge kandke või teisaldage saagi sel ajal, kui see töötab.
- Järgige kõiki riiklikke ja kohalikke eeskirju kütuse turvalisel säilitamisel ja käsitsemisel. Üleliigne kütus tuleks kasutada ära muudes kahetaktilise mootoriga seadmetes.

## LÜHIAJALINE HOUSTAMINE

- Enne hoiustamist peatage mootor ja laske maha jahtuda.
- Puhastage seade kõikidest võrkehadedest.
- Hoidke kuivas ja hästi ventileeritud kohas, mis on lastele juurdepääsmatu.
- Hoidke kettsaagi eemal söövitavatest ainetest nagu aiakemikaalid ja jäätõrjevahendid.
- Ärge hoiustage õues.

## HOOLDUS

### ⚠ HOIATUS

Kasutage ainult tootja originaalvaruosi, tarvikuid ja tööorganeid. Selle nõude eiramine võib põhjustada, kehavigastuse, tootluse languse ja teile antud garantii tühistamise.

### ⚠ HOIATUS

Lõikeorgan ei tohi mootori tühikäigul pöörelda. Kui see tingimus ei ole täidetud, tuleb sidur välja reguleerida või tuleb seade lasta kohe pädeva tehniku poolt hooldada.

### ⚠ HOIATUS

Lekkiv kütusepaagi kork on tuleohtlik ja see tuleb kohe asendada.

### ⚠ HOIATUS

Võtke arvesse, et lõiketera mutter on nailonstopperiga mutter, mida saab toote kokkupanemisel kasutada ainult üks kord. Ärge kasutage nailonstopperiga mutrit uuesti. Paigaldamisel/taaspaigaldamisel kasutage uut mutrit. Allpool loetletud ohutuseeskirjade mittejärgimine võib kaasa tuua tõsiseid kehavigastusi.

### ⚠ HOIATUS

Lõiketera kinnitamisel veenduge, et mutri pingutusmoment on  $\geq 25$  Nm. Allpool loetletud ohutuseeskirjade mittejärgimine võib kaasa tuua tõsiseid kehavigastusi. (vt lk 202, samm 4)

- Seisake mootor ja laske sellel jahtuda, enne kui alustate hooldustööd.
- Lubatud on teha ainult selles kasutusjuhendis kirjeldatud reguleerimis- ja parandustoiminguid. Muude parandustööde tegemiseks jaoks viige trimmer volitatud teenindustöökotta.
- Ebapiisava hoolduse tagajärjel võib koguneda liigselt põlemisjääke ja sellega langeb tootlus ja summutist hakkab välja voolama musta õljääki.
- Asendusjõhvina kasutage vaid sellise läbimõõduga nailonjõhvi, mis on esitatud selle kasutusjuhendi tehniliste andmete tabelis.



- Pärast uue trimmerijõhvi paigaldamist seadke trimmer enne käivitamist tavatöösensidisse. Pühkige trimmer pärast iga kasutuskorda pehme kuiva lapiga puhtaks.
- Veenduge, et kõik kaitsed, rihmad, suunajad ja käepidemed on õigesti ja ohutult kinnitatud, et vältida kehavigastuse ohtu.

## HOOLDUSPLAAN

Kontrollige, kas kinniti on tugevasti kinni	Enne iga kasutuskorda
Kontrollige, Lõikeorgan ei tohi mootori tühikäigul pöörelda. <sup>2</sup>	Enne iga kasutuskorda
Kontrollige kütusevoolikut	Enne iga kasutuskorda
Kontrollige kõiki voolikuühendusi	Enne iga kasutuskorda
Puhastage kütusepaaki ja filtri <sup>1</sup>	Iga 3 kuu või 50 töötundi järel
Kütusfiltrit asendamine <sup>1</sup>	Igal aastal või 300 töötundi järel
Kontrollige kütusepaagi korki või kütusepaagi rõhuventiili (kui on olemas) lekke suhtes	Enne iga kasutuskorda
Puhastage õhufilter.	Iga 25 töötundi järel
Vahetage õhufilter välja	Igal aastal või 300 töötundi järel
Puhastage või reguleerige süüteküünalt	Iga 6 kuu või 100 töötundi järel
Kütusfiltrit asendamine	Igal aastal või 300 töötundi järel
Puhastage sädemesuunaja	Iga 25 töötundi järel
Vajaduse korral asendage uue sädemepüüduriga.	Igal aastal või 300 töötundi järel
Väljalaskeava ja summuti puhastamine	Iga 25 töötundi järel

1 Neid töid võib teostada ainult volitatud teenindustöökoda.

2 Kui see nõue ei ole täidetud, võtke ühendust volitatud teenindustusega remondiks ja reguleerimiseks.

## JÄÄKRISKID

Isegi siis, kui kultivaatorit kasutatakse kirjeldatud viisil, ei ole võimalik kõrvaldada kõiki jääkriskide mõjureid. Töötamise ajal võivad tekkida järgmised ohud, millele operaator peab pöörama erilist tähelepanu.

- Kokkupuude lõikeorganitega.
  - Kontrollige, et lõiketeral on kaitsekate peal, kui toodet ei kasutata. Hoidke käed ja jalad lõiketeradest kogu aeg eemal.
- Vibratsioonist põhjustatud kehavigastus.
  - Kasutage töötamiseks õiget seadet, kasutage ettenähtud käepidemeid, piirake tööaega ja kokkupuudet vibratsiooniga.

- Müraga kokkupuutumine võib kuulmist kahjustada.
  - Kandke kuulmiskaitsevahendeid ja piirake müraga kokkupuudet.
- Silmade vigastamine oht lendavast prahist.
  - Kandke alati silmakaitsevahendeid.
- Kukkuvate esemete oht
  - Kandke peakaitset, kui on kukkuvate esemete oht.

Võsalõikuri kasutamisel võib esineda tagasilööök. Tagage vajalik kontroll, hoides mõlema käega käepidemetest. Lugege läbi ja järgige selles kasutusjuhendis toodud juhiseid, et vähendada tagasilöögi ohtu.

## RISKI ALANDAMINE

Teadaolevalt võib käsitööriistade kasutamine põhjustada mõnedel inimestel seisundit, mida nimetatakse Raynaud' sündroomiks. Sümptomidena võib ilmnedu sõrmede tuimus ja valkjaks muutumine, mis tavaliselt ilmneb külmas töötamisel. Nende sümptomite puhul tuleb hoiduda külmast ja niiskusest, dieedist ning suitsetamisest ja kasutada õigeid töövõtteid. Vibratsiooni mõju vähendamiseks tuleb rakendada järgmisi abinõusid.

- Külma ilmaga hoidke oma keha soe. Kandke kindaid, et hoida oma käed ja randmed soojad. Uuringud näitavad, et Raynaud' s Syndrome ilmneb põhiliselt külma ilmaga.
- Pärast külmas töötamist tehke harjutusi, et verevarustust kiirendada.
- Enne seadme käivitamist veenduge, et seade on õiges töösensid.
- Piirake tööperioodi pikkust. Tehke regulaarselt töövahetusi.

Kui ilmnevad haigustunnused, lõpetage kohe töö ja pöörduge arsti poole.

## ⚠ HOIATUS

Seadme pikaajalisel kasutamisel võite saada kehavigastusi ja varasemad vigastused võivad süveneda. Seadme kasutamisel pika aja jooksul tuleb teha korralisi vahetusi.

## ÕPPIGE OMA TOODET TUNDMA

1. Starteri käepide
2. Kütusepaagi kork
3. RBC31SBO: Juhtraud
4. RBC31SBO: Vars
5. Terakaitse
6. Rohusuunaja
7. Nailonmutter
8. Lõiketera seib
9. Kúbarseib
10. Lõiketera kaitsekate
11. Tri-Arc-lõiketera
12. Ülemine jõhvipea korpus
13. Jõhvi pool
14. Puutenupp
15. Alumine jõhvipea korpus
16. Lõikejõhv
17. RBC31SBO: Gaasi päästiku blokeerimine
18. RBC31SBO: Päästik
19. Süütelüliti

- 20. RBC31SBO: Gaasi päästiku lukusti
- 21. Rihma riputi
- 22. RBC31SESO: Alumine vars
- 23. RBC31SESO: Tiibmutter
- 24. RBC31SESO: Ülemine vars
- 25. RBC31SESO: Eesmine käepide
- 26. RBC31SESO: Päästik
- 27. RBC31SESO: Gaasi päästiku lukusti

#### MASINAL OLEVAD SÜMBOLID



Ohutusalaane teave



Enne seadmega töö alustamist lugege kõik juhised hoolikalt läbi ja pidage kinni hoiatustest ja ohutusega seotud juhistest.



Kandke silma- ja kuulmiskaitsevahendeid ning kiivrit.



Kandke selle toote kasutamisel alati libisemiskindlaid turvajalatsid.



Kandke libisemiskindlaid, tugevdatud kaitsekindaid.



Hoiduge ülespaisatud ja lendavate esemete eest. Hoidke kõik kõrvalseisjad, eriti lapsed ja lemmikloomad tööalalt vähemalt 15 meetri kaugusele.



See toode ei ole ette nähtud kasutamiseks hammastatud ketastega.



Kehavigastuse ja põletuse ohu vältimiseks vältige kokkupuudet kuumaga.



Hoidke käed löiketeradest eemal.



Garanteeritud helivõimsuse tase



Töösensid



Seadke õhuklapi hoob asendisse "SULETUD".



Seadke õhuklapi hoob asendisse "POOL".



Ooteaeg 10 sekundi



PRITSI  
Suruge etteandekuplile 10 korda.



Tõmmake starteri trossi.



Käivitamiseks ja käitamiseks vajutage gaasipäästikule.



Lukustage gaasipäästik kohale, vajutades gaasipäästiku lukustusnupule.



Kasutage pliivaba mootorsõidukite bensiini oktaanarvuga 91 ((R+M)/2) või enam.



Kasutage 2-taktilise õhkjahutusega mootori õli.



Segage kütusesegu hoolikalt läbi ja tehke seda ka alati enne tankimist.



Külma mootori käivitamine käsitsi



Sooja mootori käivitamine käsitsi



Külma mootori käivitamine elektrilise starteri abil



Sooja mootori käivitamine elektrilise starteri abil



sirge völli: Sirge völli sümbol:paigaldades pooli löikevahenditele, peab see sümbol olema tööriista kasutajale näha.



Sellele tootele sobib Tri-Arc™ löiketera, millega saab lõigata säsist umbrohtu ja vääte.



Löiketera vastusurve!



Lõikeorgani völli pöörlemissuund ja maksimaalkiirus.



Tõmba  
Kiirühenduse fiksaator



Vastab kõigile eeskirjadele EL-i liikmesriigis, kus toode on ostenud.



Euraasia vastavusmärk



Ukraina vastavusmargis

Järgnevad märguandesõnad ja tähendused on mõeldud selle toote kasutamisega seotud riskitasemete kirjeldamiseks.

#### ⚠ OHT.

Viitab kohe tekkivale ohtlikule situatsioonile, mis, kui ei väldita, lõpeb surma või tõsise vigastusega.

#### ⚠ HOIATUS

Viitab võimalikule ohtlikule situatsioonile, mis, kui ei väldita, võib lõppeda surma või tõsise vigastusega.

### **ETTEVAATUST**

Viitab võimalikule ohtlikule situatsioonile, mis, kui ei väldita, võib lõppeda väiksemate või keskmiste vigastusega.

### **ETTEVAATUST**

Ilma hoiatussümbolita

Osutab olukorrale, mis võib põhjustada varakahju.

### **KASUTUSJUHENDI SÜMBOLID**



Märkus



Hoiatus

EN  
FR  
DE  
ES  
IT  
NL  
PT  
DA  
SV  
FI  
NO  
RU  
PL  
CS  
HU  
RO  
LV  
LT  
**ET**  
HR  
SL  
SK  
BG  
UK  
TR

Dizajn Vašeg punjača počiva na prioritetima sigurnosti, visokih performansi i pouzdanosti.

### NAMJENA

Rezač grmlja/trimer za travu smiju koristiti isključivo punoljetne osobe koje su pročitale i razumjele upute i upozorenja u ovom priručniku i koje se mogu smatrati odgovornima za svoje postupke. Ovaj uređaj namijenjen je samo za korištenje na otvorenom u dobro prozračenom prostoru. Iz sigurnosnih razloga proizvod za vrijeme rukovanja uvijek držite pod kontrolom držeći ga s obje ruke. Proizvod koji je opremljen glavom trimera za travu (i odgovarajućim štitnikom) namijenjen je rezanju visoke trave, mekog korova i slične vegetacije pri ili oko razine tla. Ako je ugrađen Tri-Arc™ nož s tri zupca (i odgovarajući štitnik), proizvod može sjeći i grmlje. Proizvod nije namijenjen ugradnji noža pile.

Ravnina rezanja treba približno biti paralelna s površinom tla. Proizvod se ne smije koristiti za rezanje ili obrezivanje živica, žbunja ili druge vegetacije gdje površina rezanja nije paralelna s površinom tla.

Nemojte koristiti oštricu u nikakvu drugu svrhu.

### ⚠ UPOZORENJE

Da se smanji rizik od povreda, rukovatelj mora pročitati i shvatiti ove upute.

### ⚠ UPOZORENJE

Proizvodom nemojte rukovati sve dok niste temeljito pročitali i u potpunosti razumjeli sve upute i sigurnosna pravila sadržana u ovom priručniku. Nepriдрžavanje može dovesti do nesreća koje uključuju strujni udar, požar i/ili ozbiljne osobne ozljede. Spremite ove upute za uporabu i povremeno ih pregledajte radi nastavka sigurnog rada i uputa drugima koji mogu koristiti ovaj proizvod.

### ⚠ UPOZORENJE

Ovaj proizvod nije namijenjen za korištenje od strane djece ili osoba sa smanjenim fizičkim, psihičkim ili mentalnim mogućnostima. Djecu je potrebno odgovarajuće nadzirati kako bi se osiguralo da se ne igraju s proizvodom.

### OPĆA SIGURNOSNA PRAVILA

- Za siguran rad pročitajte i shvatite sve upute za rad prije korištenja proizvoda. Slijedite sve sigurnosne upute. Nepoštovanje ovih savjeta može dovesti do teških tjelesnih ozljeda.
- Neke regije imaju pravila koja ograničavaju korištenje proizvoda. Provjerite kod lokalnih tijela za savjet.
- Nemojte dopustiti djeci ili nestručnim osobama da koriste ovaj proizvod.
- Nikada ne pokrećite ili pogonite motor u zatvorenom ili slabo ventiliranom području; udisanje ispušnih plinova može usmrtili.
- Prije svakog korištenja očistite radno područje. Uklonite

sve objekte poput kamenja, slomljenog stakla, čavala, žice ili strune koji mogu upasti ili se zaplesti u glavu rezne niti ili noža.

- Kada radite s ovim proizvodom nosite zaštitu za oči i sluh. Ako radite u području gdje postoji opasnost od padajućih predmeta, morate nositi zaštitu za glavu.
- Zaštita za sluh može ograničiti sposobnost operatera da čuje zvukove upozorenja. Obratite posebnu pozornost na moguće opasnosti u okolini i unutar radnog područja.
- Uvijek nosite duge hlače, zaštitnu obuću protiv klizanja i rukavice. Nemojte nositi široku odjeću, kratke hlače, nakit bilo kakve vrste ili hodati bosonogi.
- Osigurajte dugu kosu na način da je iznad razine ramena kako biste spriječili zahvaćanje u bilo koje pokretne dijelove.
- Držite sve promatrače, djecu i kućne ljubimce na udaljenosti od najmanje 15 m. Zaustavite proizvod ako bilo tko uđe u područje rada.
- Nemojte raditi s ovim proizvodom kada ste umorni ili pod utjecajem alkohola, droge ili lijekova.
- Nemojte raditi u slabom osvjetljenju. Operater treba čist vidokrug kako bi identificirao moguće opasnosti.
- Cijelo vrijeme držite pravilno uporište i ravnotežu. Ne sežite preko određene granice. Naginjanje preko ruba može dovesti do gubitka ravnoteže ili izlaganja vrućim površinama.
- Držite sve dijelove tijela dalje od svih pokretnih dijelova.
- Nemojte dirati područje oko prigušivača ili cilindra proizvoda, ovi dijelovi se tijekom uporabe ugriju i postanu vrući.
- Prije bilo kakvih podešavanja proizvoda obavezno zaustavite motor i pustite da se ohladi.
- Nemojte pušiti dok miješate gorivo ili punite spremnik s gorivom.
- Mješajte i držite gorivo u za to predviđenom spremniku.
- Miješajte gorivo na otvorenome, daleko od bilo kakvih iskri ili plamena. Obrišite razliveno gorivo. Prije pokretanja motora pomaknite se 9 m od mjesta punjenja.
- Prije punjenja goriva zaustavite motor i pustite ga da se ohladi.
- Dopustite uređaju da se ohladi, ispraznite spremnik za gorivo i prije transporta u vozilu osigurajte jedinicu.
- Uvijek zaustavite motor i provjerite jesu li se svi pokretni dijelovi zaustavili prije:
  - servisiranje
  - ostavljanje proizvoda bez nadzora
  - čišćenje vašeg proizvoda
  - promjena dodatnog pribora
  - čišćenja blokada
  - provjerite za bilo kakvo oštećenje nakon odbacivanja predmeta
  - provjerite za bilo kakvo oštećenje ako proizvod počne abnormalno vibrirati
  - izvođenje održavanja
  - uklanjanja noža
  - montaže noža

### **▲ UPOZORENJE**

Nikada nemojte koristiti sredstva za rezanje ili priključke koje Ryobi nije naveo u ovom priručniku. To uključuje korištenje metalnih višedjelnih okretnih lanaca i noževa mlatila. Poznato je da se ti artikli slamaju tijekom uporabe i postoji veliki rizik od ozbiljnog ozljeđivanja rukovatelja ili osoba u njihovoj blizini.

### **▲ UPOZORENJE**

Provjerite nakon pada ili drugih udara  
Temeljito provjerite proizvod i identificirajte sve utjecaje ili oštećenja. Svaki oštećeni dio trebao bi pravilno popraviti ili zamijeniti ovlašteni servisni centar.

### **SIGURNOSNA UPOZORENJA TRIMERA ZA TRAVU**

- Ako je oštrica puknuta, zarezana ili oštećena na neki način, zamijenite je. Osigurajte da je glava flaksa ispravno montirana i sigurno pričvršćena. Ako to ne učinite može doći do ozbiljnog ozljeđa.
- Izbjegavajte koristiti na mokroj travi.
- Kada koristite proizvod ne hodajte unatrag.
- Hodajte, nemojte trčati.
- Mali nož koji je montiran na štitnik nastavka za rezanje namijenjen je rezanju nove izvučene rezne niti (flaksa) na ispravnu duljinu, za sigurnu i optimalnu radnu izvedbu. To sredstvo je vrlo oštro; nemojte ga doticati, osobito ne tijekom čišćenja proizvoda.
- Osigurajte da su ventilacijski otvori uvijek čisti od krhotina.
- Prije korištenja i nakon svakog udara provjerite da nema oštećenih dijelova. pregleda oštrice za znakove puknuća ili drugog oštećenja. Prekidač u kvaru ili bilo koji dio da je oštećen trebali bi pravilno popraviti ili zamijeniti od strane ovlaštenog servisnog centra.
- Provjerite da li je pogonska glava pravilno instalirana i čvrsto pritegnuta.
- Uvjerite se da su svi štitnici, deflektori, ručke, svornjaci i zatezači pravilno i sigurno pričvršćeni.
- Nemojte na nikakav način modificirati ovaj proizvod. Moglo bi doći do povećanja opasnosti od ozljeđa po Vas ili druge osobe.
- U glavi rezne niti koristite samo zamjensku reznu nit originalnog proizvođača. Nemojte koristiti nikakav drugi priključak za rezanje.
- Proizvodom nikada nemojte rukovati ako štitnik za rezanje nije na svom mjestu i u dobrom stanju.
- Čvrsto držite obje ručke tijekom podrezivanja. Glavu rezne niti držite iznad razine struka. Nikada ne režite s glavom flaksa iznad 76 cm ili više od tla.

### **SIGURNOSNA UPOZORENJA ZA REZAČ GRMLJA**

- Uz gore navedena pravila, sljedeće dodatne upute se primjenjuju kada se proizvod koristi u načinu rada za rezanje grmlja.
- Prilikom montaže ili uklanjanja noževa pile nosite

debele zaštitne rukavice; rubovi noževa su oštri.

- Nemojte pokušavati dodirnuti ili zaustaviti oštricu kada se okreće.
- Nož u pokretu može nanijeti ozbiljne tjelesne ozljede. Održavajte potpunu kontrolu nad proizvodom držeći ga s obje ruke sve dok nož potpuno ne zaustavi okretanje.
- Zamijenite svaku oštricu koja je oštećena. Prije svakog korištenja uvijek provjerite da je oštrica pravilno i čvrsto pritegnuta.
- Koristite samo proizvođačevu zamjensku oštricu Tri-Arc. Nemojte koristiti nikakav drugi priključak za rezanje.
- Nikada nemojte rezati nikakav materijal promjera većeg od 13 mm.
- Vaš rezač trave isporučuje se s pojansom za nošenje. Pažljivo namjestite pojas kako biste udobno pomogli poduprijeti težinu proizvoda na desnoj strani.
- Pronađite brzi mehanizam za otpuštanje i vježbajte korištenje prije nego počnete koristiti uređaj. Njegovo pravilno korištenje sprječava ozbiljne povrede u slučaju nužde. Nikada ne nosite dodatnu odjeću preko kopče ili na drugi način ne ograničavajte pristup mehanizmu za brzo otpuštanje.
- Prije pohranjivanja jedinice ili tijekom transporta pokrijte oštricu sa štitnikom za oštricu. Prije korištenja jedinice uvijek uklonite štitnik oštrice. Ako ga ne uklonite, kad se nož počne okretati štitnik noža će biti odbačen.
- Budite osobito pažljivi kad uz ovaj proizvod koristite nož. Odbacivanje noža je reakcija do koje dolazi kada rotirajući nož dođe u kontakt s bilo čime što ne može rezati. Ovaj kontakt može uzrokovati da nož zakratko zastane i iznenada „odbaci“ jedinicu dalje od predmeta u koji je udarila. Ova reakcija može biti dovoljno nasilna da uzrokuje da operater izgubi kontrolu nad jedinicom. Odbacivanje noža može se dogoditi bez upozorenja ako nož naiđe na panj, zastane ili zahvati. Do ovoga će vjerojatnije doći u područjima gdje je teško vidjeti materijal koji se reže.
- Za jednostavno i sigurno rezanje, prilazite korovu koji je odrezan s desne na lijevu stranu. U slučajevima kada nož dođe neočekivanog predmeta ili drvene klade, ovo može minimalizirati reakciju odbacivanja noža. Za kontrolu ovog uređaja uvijek se moraju koristiti obje ruke.

### **POSTAVLJANJE**

#### **RASPAKIRAVANJE**

*Pogledajte stranicu 181-182.*

Ovaj uređaj potrebno je sastaviti.

- Pažljivo izvadite alat i sav dodatni pribor iz kutije. Provjerite jesu li sve stavke navedene na popisu pakiranja uključene.
- Pažljivo provjerite alat kako biste bili sigurni da tijekom isporuke nije došlo do puknuća ili oštećenja.

EN  
FR  
DE  
ES  
IT  
NL  
PT  
DA  
SV  
FI  
NO  
RU  
PL  
CS  
HU  
RO  
LV  
LT  
ET  
HR  
SL  
SK  
BG  
UK  
TR

### ⚠ UPOZORENJE

Ukoliko je bilo koji dio oštećen ili nedostaje ne koristite ovaj proizvod sve dok se ti dijelovi ne nadomjeste. Nepoštivanje ovog upozorenja može dovesti do ozbiljnih osobnih ozljeda.

### PODEŠAVANJE NARAMENICA ZA NOŠENJE

Pogledajte stranicu 185/189.

Podesite pojas za nošenje uređaja u udoban i uravnotežen položaj u kojem su noževi reznog nastavka ovješeni na visini od 100 mm do 300 mm iznad površine tla.

### KORIŠTENJE POJASA ZA NOŠENJE

Pogledajte stranicu 185/189.

**NAPOMENA:** Prilikom korištenja ovog proizvoda obavezno koristite i pojas.

**NAPOMENA:** Za brzo oslobađanje proizvoda iz pojasa oštro povucite brzorastavni jezičak.

### KORIŠTENJE GLAVE TRIMERA ZA TRAVU REELEASY™ I NOŽA TRI-ARC™.

- Kada koristite ReelEasy™ glavu trimera za travu, deflektor za travu mora biti pričvršćen na štitnik oštrice. (Pogledajte stranicu 203).
- Kada koristite Tri-Arc™ oštricu, deflektor za travu mora se ukloniti sa štitnika za oštricu (Pogledajte stranicu 202).

### ⚠ UPOZORENJE

Prije pokretanja motora uvijek prvo uklonite sigurnosni zatik koji blokira pogonsku osovinu. (vidi stranu 185, korak 4)

### UPORABA

#### GORIVO I DOPUNJAVANJE SPREMNIKA

Pogledajte stranicu 184.

- Uvijek pažljivo rukuje s gorivom; vrlo je zapaljivo.
- Vaš alat funkcioniše s dvotaktnim motorom kojemu je potrebna mješavina benzina i dvosintetiziranog ulja. Miješajte bezolovni benzin i dvosintetizirano ulje u odgovarajućoj posudi posebno namijenjenoj za držanje benzina.
- Motor funkcioniše s bezolovnim benzinom za vozila s oktanskim pokazateljem od 91 ((R + M)/2) ili više.
- Ne rabite mješavine benzin/ulje koje se prodaju na benzinskim crpkama.
- Rabite samo dvosintetizirano ulje. Ne koristite automobilsko ulje niti dvotaktno ulje za izvanbrodske motore.
- Pomiješajte 2% sintetičkog 2-taktnog sredstva za podmazivanja u gorivo. Odnosno u omjeru 50 : 1.
- Dobro izmiješajte gorivo prije svakog nadopunjavanja spremnika.
- Miješajte gorivo u malim količinama. Pripremite samo količinu koja je dovoljna za jedan mjesec uporabe. Također vam preporučamo da rabite dvosintetizirano

ulje koje sadržava stabilizator za gorivo.

#### PUNJENJE SPREMNIKA ZA GORIVO

- Očistite spremnik oko čepa da se gorivo ni na koji način ne bi onečistilo.
- Lagano odvijte čep spremnika da bi se olabavio tlak i da se gorivo ne bi razasulo oko čepa.
- Sipajte mješavinu goriva u spremnik s oprezom. Da se ne bi razlijevalo.
- Prije no što ponovno zavijete čep, očistite spoj i osigurajte se da je u dobrome stanju.
- Odmah ponovno postavite na mjesto čep spremnika za gorivo i čvrsto ga stegnite. Obrišite razliveno gorivo. Pomaknite se 9 m (30 stopa) dalje od mjesta punjenja prije pokretanja motora.

#### POKRETANJE MOTORA POMOĆU ELEKTRIČNOG POKRETAČA (OPCIONALNO):

Pogledajte sliku 196-201.

### ⚠ UPOZORENJE

Koristite isključivo električni pokretač Ryobi OES18. Uporaba bilo kojeg drugog pokretača može oštetiti motor i prouzročiti ozbiljne ozljede.

### ⚠ UPOZORENJE

Prije korištenja električnog pokretača za pokretanje proizvoda, molimo Vas da pročitate i u potpunosti razumijete upute za rukovanje za OES18 električni pokretač kako biste izbjegli neispravan rad i ozbiljne ozljede.

- Lijevom rukom držite izoliranu osovinu, a desnom postavite osovinu nastavka startera u pruvrt u osovinu motora. U protivnom se motor neće pokrenuti.
- Nastavak pokretača mora biti pravilno umetnut.

**NAPOMENA:** Električni pokretač je opremljen sigurnosnom blokadom. Nemojte pritiskati i držati gumb za prebacivanje za vrijeme postavljanja osovine električnog pokretača u otvor za osovinu na motoru. Pokretač se neće okretati ako električni pokretač nije pravilno postavljen.

#### RAD S TRIMEROM ZA TRAVU

Pogledajte stranicu 189.

**RBC31SESO:** Držite proizvod desnom rukom za stražnju ručku i lijevom rukom za prednju ručku.

**RBC31SBO:** Držite proizvod desnom rukom na ručki sa sklopkom za pokretanje, a lijevu ruku na lijevoj ručki.

- Tijekom rada držite obje ruke čvrsto ne ručkama.
- Proizvod treba držati u udobnom položaju tako da stražnja ručka bude u visini kuka.
- Uvijek radite s proizvodom pod punim gasom. Dugotrajno rezanje pri djelomičnim gasom dovest će do kapanja sredstva za podmazivanje iz prigušnika.
- Kosite visoku odozgo prema dolje kako biste spriječili umotavanje trave oko kućišta osovine i glave s flaksom što može dovesti do oštećenja od pregrijavanja.
- Ako se oko reznog nastavka omota trava ili neki



drugi materijal, zaustavite motor. Prilikom uklanjanja nakupljenog materijala nosite čvrste radne rukavice kako biste spriječili moguće ozljede zbog oštrih noževa.

- Nemojte pritisnuti stroj na travu kako biste je rezali. Krećite se bočno. Na kraju svakog prolaza (otkosa) pomaknite se malo prema naprijed.
- Držite proizvod nagnut prema području koje ćete rezati.
- Nemojte koristiti u opasnim okruženjima.
- Koristite vrh flaksa za rezanje; nemojte gurati glavu s flaksom u neodrezanu travu.
- Žica i ograde od kolaca dovode do dodatnog trošenja flaksa, čak i puknuća. Zidovi od kamena i cigle, rubnjaci i drveće mogu brzo istrošiti flaks.
- Izbjegavajte stabla i šikare. Kora drveća, drveni namještaj, kućne fasade i ograde mogu se lako oštetiti flaksom.

## RAD S REZAČEM GRMLJA

*Pogledajte stranicu 192.*

Za smanjivanje rizika od povratnog udara: Nemojte pritisnuti materijal koji režete. Krećite se s desna na lijevo u stabilnim otkosima. Na kraju svakog prolaza (otkosa) pomaknite se malo prema naprijed.

**RBC31SESO:** Držite proizvod desnom rukom za stražnju ručku i lijevom rukom za prednju ručku.

**RBC31SBO:** Držite proizvod desnom rukom na ručki sa sklopkom za pokretanje, a lijevu ruku na lijevoj ručki.

- Proizvod treba držati u udobnom položaju tako da stražnja ručka bude u visini kuka.
- Održavajte čvrsti stisak i ravnotežu na oba stopala. Postavite se tako da ne budete izbačeni iz ravnoteže povratnom reakcijom noža za rezanje.
- Podesite remene radi udobnog položaja.
- Budite osobito pažljivi kad uz ovaj proizvod koristite nož. Odbacivanje noža je reakcija do koje dolazi kada rotirajući nož dođe u kontakt s bilo čime što ne može rezati. Ovaj kontakt može uzrokovati da nož zakratko zastane i iznenada „odbaci“ jedinicu dalje od predmeta u koji je udarila. Ova reakcija može biti dovoljno nasilna da uzrokuje da operator izgubi kontrolu nad jedinicom. Odbacivanje noža može se dogoditi bez upozorenja ako nož naiđe na panj, zastane ili zahvati. Do ovoga će vjerojatnije doći u područjima gdje je teško vidjeti materijal koji se reže. Za jednostavno i sigurno rezanje, prilazite korovu koji je odrezan s desne na lijevu stranu. **U slučajevima kada nož dođe neočekivanog predmeta ili drvene klade, ovo može minimalizirati reakciju odbacivanja noža.**

## PRIJEVOZ I SKLADIŠTENJE

- Zaustavite proizvod i omogućite mu da se ohladi prije skladištenja ili prijevoza.
- Očistite svaki strani materijal s uređaja.
- Ako je ugrađen nož za rezanje, pokrijte ga njegovim štitičkom.
- Naspite svo preostalo gorivo u spremniku u kanticu posebno namijenjenu za držanje benzina. Nemojte zaboraviti propisno zamijeniti i zategnuti kapicu goriva.

- Pustite motor da se okreće dok se sam ne zaustavi. Time će se ukloniti svo gorivo koje bi moglo postati ustajalo, a u sustavu goriva moglo bi ostati i laka i gume.
- Skladištite ga na suhom i dobro ventiliranom mjestu koje nije pristupačno djeci. Nemojte ju ostavljati u blizini korozivnih agenasa kao ni vrtnih kemijskih proizvoda i soli za odmrzavanje. Ne ostavljajte na otvorenom.
- Za prijevoz, osigurajte uređaj protiv pomicanja ili pada kako biste spriječili povrede osoba ili oštećenja na uređaju.
- Nikada nemojte nositi ili transportirati proizvod dok je pokrenut.
- Poštujte nacionalne i lokalne propise koji se odnose na odlaganje i rukovanje gorivom. Možete rabiti preostalo gorivo kod drugog alata koji ima dvotaktni motor.

## KRATKOTRAJNO SPREMANJE PROIZVODA

- Zaustavite motor i pustite da se ohladi prije uskladištenja.
- Očistite svaki strani materijal s uređaja.
- Skladištite ga na suhom i dobro ventiliranom mjestu koje nije pristupačno djeci.
- Nemojte ju ostavljati u blizini korozivnih agenasa kao ni vrtnih kemijskih proizvoda i soli za odmrzavanje.
- Ne ostavljajte na otvorenom.

## ODRŽAVANJE

### ⚠ UPOZORENJE

Koristite samo originalne zamjenske dijelove, dodatni pribor i priključke od proizvođača. Nepoštivanje ovih uputa može dovesti do mogućih ozljeda, loše učinkovitosti i može dovesti do poništenja jamstva.

### ⚠ UPOZORENJE

Priključak za rezanje ne smije se rotirati u praznom hodu. Ako ovaj uvjet nije zadovoljen, treba podesiti spojku ili stroj treba žurno održavanje od strane kvalificiranog tehničara.

### ⚠ UPOZORENJE

Čep za gorivo na koji istječe gorivo je opasnost od požara i mora se odmah zamijeniti.

### ⚠ UPOZORENJE

Matica noža je tzv. najlonska matica i namijenjena je samo jednom sklapanju uređaja. Nemojte ponovno koristiti najlonsku maticu. Prilikom montaže/demontaže koristite novu najlonsku maticu. Nepoštivanje ovih savjeta može dovesti do teških tjelesnih ozljeda.

### ⚠ UPOZORENJE

Zatezni moment matice za pritezanje noža mora biti  $\geq 25$  Nm. Nepoštivanje ovih savjeta može dovesti do teških tjelesnih ozljeda. (vidi stranu 202, korak 4)



- Uvijek zaustavite motor i omogućite da se ohladi prije vršenja bilo kakvog održavanja.
- Možete izvršiti podešavanja i popravke koji su opisani u ovom priručniku. Ostale popravke jedinice neka servisira ovlaštenu servisnu agenciju.
- Posljedice nepravilnog održavanja uključuju višak ugljičnih naslaga koji dovodi do gubitka učinkovitosti i pražnjenje crnih uljnih ostataka kapanjem iz prigušnika.
- Za zamjenski flaks koristite samo najlonski flaks promjera koji je opisan u tablici specifikacija u ovom priručniku.
- Nakon produljenja novog flaksa prije uključivanja uvijek proizvod vratite u njegov uobičajeni radni položaj. Nakon svakog korištenja proizvod obrišite sa suhom mekom krpom.
- Kako biste izbjegli opasnost od osobnih ozljeda osigurajte da su svi štitnici, remeni, deflektori i ručke pravilno i čvrsto priključeni.

#### PLAN ODRŽAVANJA

Provjerite jesu li sponi elementi do kraja zategnuti	Prije svakog korištenja
Provjerite: Priključak za rezanje ne smije se rotirati u praznom hodu. <sup>2</sup>	Prije svakog korištenja
Provjerite crijevo za dovod goriva	Prije svakog korištenja
Provjerite sve priključke crijeva	Prije svakog korištenja
Očistite spremnik goriva i filter <sup>1</sup>	Svaka 3 mjeseca ili 50 sati rada
Zamijeniti filter goriva <sup>1</sup>	Svake godine ili nakon 300 sati rada
Provjerite čep goriva ili ventil za odzračivanje para goriva (ako je proizvod time opremljen) na moguća curenja.	Prije svakog korištenja
Očistite zračni filter.	Svakih 25 sati
Zamijenite zračni filter	Svake godine ili nakon 300 sati rada
Očistite ili podesite svjećicu.	Svaka 6 mjeseca ili 100 sati rada
Zamijeniti filter goriva	Svake godine ili nakon 300 sati rada
Očistite hvatač iskri	Svakih 25 sati
Zamijenite s novim prigušnikom svjeće.	Svake godine ili nakon 300 sati rada
Čišćenje ulaza ispuha i prigušnog lonca	Svakih 25 sati

1 Ovi pregledi mora provesti ovlaštena servisna agencija.

2 Ako ovaj zahtjev nije zadovoljen, obratite se ovlaštenom servisnom centru radi popravka ili podešavanja.

#### OSTALE OPASNOSTI:

Čak i kad je proizvod korišten kao što je prethodno opisano, još uvijek nije moguće potpuno isključiti ostale čimbenike opasnosti. Može doći do sljedećih opasnosti prilikom korištenja i operater mora obratiti posebnu pozornost kako bi izbjegao sljedeće:

- Kontakt s reznim elementima.
  - Provjerite jesu li štitnici noža pričvršćeni kada proizvod nije u uporabi. Držite ruke i stopala dalje od oštrice cijelo vrijeme.
- Ozljede uzrokovane vibracijom.
  - Uvijek koristite pravi alat za posao, koristite označenu kopču i ograničite radno vrijeme i izloženost.
- Oštećenje sluha uzrokovano izlaganjem buci.
  - Nosite zaštitu za sluh i ograničite izloženost.
- Ozljede oka zbog letećih khotina.
  - Cijelo vrijeme nosite sredstva za zaštitu očiju.
- Opasnost od padajućih objekata
  - Ako postoji opasnost od padajućih objekata, nosite odgovarajuću zaštitu za glavu

Prilikom upotrebe rezača grmlja može doći do povratnog udara alata. Osigurajte ispravnu kontrolu nad proizvodom držeći ga s obje ruke za tome namijenjene ručke. Pročitajte i slijedite upute u bilo kojem dijelu priručnika kako biste smanjili rizik od povratnog udara.

#### SMANJENJE OPASNOSTI

Prijavljeno je da vibracije alata koje se drži u ruci kod određenih pojedinaca mogu doprinijeti stanju pod nazivom Raynaud's Syndrome. Simptomi mogu uključivati trnce, ukočenost i bjelinu prstiju, obično uočljivo po izlaganju hladnoći. Smatra se da nasljedne osobine, izlaganje hladnoći i vlazi, dijeta, pušenje i radni postupci pridonose razvoju ovih simptoma. Postoje mjere koje operater može poduzeti kako bi smanjio moguće učinke vibracije:

- Održavajte svoje tijelo toplim u hladnim vremenskim uvjetima. Kad radite s proizvodom nosite rukavice kako biste ruke i zglobove održavali toplima. Prijavljeno je da je hladnoća glavni čimbenik koji doprinosi Raynaud's Syndrome.
- Nakon svakog perioda rada vježbajte kako biste povećali cirkulaciju krvi.
- Osigurajte da je uređaj pravilno smješten u prepoznatom radnom položaju prije pokretanja uređaja.
- Ograničite količinu izlaganja po danu. Uzimajte česte stanke u radu.

Ako osjetite neke od simptoma ovog stanja, odmah prekinite korištenje i obratite se svome liječniku vezano uz ove simptome.

#### ⚠ UPOZORENJE

Povrede mogu biti uzrokovane ili zadobivene produljenim korištenjem alata. Kada koristite bilo koji alat dulje vremena, osigurajte da uzimate povremene stanke.



## UPOZNAJTE SVOJ PROIZVOD

1. Drška startera
2. Čep za gorivo
3. RBC31SBO: Ručka
4. RBC31SBO: Pogonska osovina
5. Štitnik za nož
6. Deflektor za travu
7. Najlonska matica
8. Podloška noža
9. Podloška s izdignutim središtem
10. Štitnik za oštricu
11. Oštrica Tri-Arc™
12. Gornje kućište glave niti
13. Kalem
14. Okretni gumb za otpuštanje
15. Donje kućište glave niti
16. Flaks
17. RBC31SBO: Sklopka za blokiranje gasa
18. RBC31SBO: Otponac akceleratora
19. Prekidač za paljenje
20. RBC31SBO: Blokiranje gasa
21. Kuka remena
22. RBC31SESO: Donja osovina
23. RBC31SESO: Gumb
24. RBC31SESO: Gornja osovina
25. RBC31SESO: Prednja ručka
26. RBC31SESO: Otponac akceleratora
27. RBC31SESO: Blokiranje gasa

## SIMBOLI NA PROIZVODU



Sigurnosno upozorenje



Pročitajte i razumite sve upute prije rada s proizvodom, slijedite sva upozorenja i sigurnosne upute.



Nosite zaštitu za vid, sluh i glavu



Nosite obuću protiv klizanja prilikom korištenja ovog proizvoda.



Nosite zaštitne rukavice velike debljine koje se ne klizu.



Čuvajte se odbačenih ili letećih predmeta. Držite sve promatrače naročito djecu i kućne ljubimce, na udaljenosti najmanje 15 m od radnog područja.



Ovaj proizvod nije namijenjen za korištenje s oštricama nazubljenim poput pile.



Za smanjenje opasnosti od ozljeda ili oštećenja izbjegavajte kontakt s bilo kojom vrućom površinom.



Držite ruke dalje od oštrica.



Jamčena razina zvučne snage



Položaj uključeno



Postavite polugu čoka u položaj čoka "FULL" (PUNO).



Postavite polugu čoka u položaj čoka "HALF" (POLA).



Vrijeme čekanja 10 sekundi



UBRIZGAVANJE GORIVA  
Pritisnite pumpicu za gorivo 10 puta.



Povucite uže pokretača



Stisnite sklopku gasa za pokretanje.



Zabravite prigušnik u položaju tako da pritisnete gumb za blokiranje prigušnika.



Rabite bezolovni benzin namijenjen automobilima s oznakom oktana od 91 ((R+M)/2) ili većom.



Koristite 2-taktno ulje za motore hlađenje zrakom.



Miješajte mješavinu goriva temeljito te svaki puta prije ponovnog punjenja.



Ručno pokretanje hladnog motora



Ručno pokretanje toplog motora



Pokretanje hladnog motora pomoću električnog pokretača.



Pokretanje toplog motora pomoću električnog pokretača



Simbol ravne osovine: Kada kalem pričvršćujete za sredstva za rezanje, taj simbol treba biti vidljiv rukovatelju.



Oštrica Tri-Arc™ blade je kompatibilna s proizvodom i može se koristiti za rezanje mekog korova i trsova



Pazite na potisak od noža



Smjer rotacije i maksimalna brzina osovine reznog priključka.



Povuci  
Jezičac za brzo oslobađanje



Ovaj alat usklađen je sa svim normama i propisima zemlje Europske unije u kojoj je kupljen.



EurAsian znak konformnosti



Ukrajinska oznaka za sukladnost

Slijedeće riječi upozorenja i značenja imaju namjeru da objasne nivo rizika u vezi s ovim proizvodom.

**⚠ OPASNOST**

Ukazuje na neposrednu opasnu situaciju, koja, ukoliko se ne izbjegne, može rezultirati smrću ili opasnim povredama

**⚠ UPOZORENJE**

Ukazuje na moguću opasnu situaciju, koja, ukoliko se ne izbjegne, može rezultirati smrću ili opasnim povredama

**⚠ UPOZORENJE**

Ukazuje na moguću opasnu situaciju, koja, ukoliko se ne izbjegne, može rezultirati manjim ili blažim povredama

**UPOZORENJE**

Bez sigurnosnog simbola upozorenja

Naznačuje situaciju koja može rezultirati oštećenjem imovine.

**SIMBOLI U OVOM PRIRUČNIKU**



Napomena



Upozorenje

Pri zasnovi tega obrezovalnika grmičevja/obrezovalnika trave smo se prednostno osredotočali na varnost, učinkovitost in zanesljivost.

### NAMEN UPORABE

Obrezovalnik grmičevja/obrezovalnik trave lahko uporabljajo samo odrasle osebe, ki so prebrale in razumejo navodila ter opozorila v tem priročniku ter so sposobne prevzeti odgovornost za svoja dejanja. Izdelek je namenjen le za uporabo na prostem in v dobro zračenih prostorih. Zaradi varnosti je zahtevano dvoročno kmiljenje naprave. Ko je na izdelek nameščena glava obrezovalnika za travo (in ustrezno varovalo), je namenjen za rezanje daljše trave, močnega plevela in podobnega rastja v ravni tal oziroma tik nad ravnjo tal. Po namestitvi rezila Tri-Arc™ (in ustreznega varovala) se lahko uporablja tudi za rezanje grmičevja. Tento výrobek nie je určený na používanie s pílovým kotúčom.

Rezilna raven mora biti približno vzporedna tlom. Izdelka se ne sme uporabljati za obrezovanje živih mej, grmovja ali drugega rastlinja, kjer obrezovalna raven ni vzporedna s tlemi.

Za druge namene ga ne uporabljajte.

### ⚠ OPOZORILO

Za zmanjšanje nevarnosti poškodb si preberite in osvojite vsebino navodil.

### ⚠ OPOZORILO

Skôr než začnete tento výrobok používať, pozorne si prečítajte a oboznámte sa so všetkými bezpečnostnými predpismi a prevádzkovými pokynmi, uvedenými v tejto príručke. Neupoštevajte tega lahko povzroči električni udar, požar in/ali hude telesne poškodbe. Shranite ta navodila za uporabo in jih pogosto preglejte za nadaljevanje varnega delovanja in usposabljanja drugih, ki bodo uporabljali ta proizvod.

### ⚠ OPOZORILO

Izdelek ni namenjen za uporabo s strani otrok ali oseb z zmanjšanimi fizičnimi, duševnimi ali senzoričnimi zmoglostmi. Otroke nenehno primerno nadzorujte, da se ne bodo igrali z napravo.

### SPLOŠNA VARNOSTNA OPOZORIILA

- Za zagotavljanje varnega obratovanja si pred uporabo izdelka preberite celotna navodila in osvojite njihovo vsebino. Dodržujte vse breznevarne varnostne pogoje. Če ne boste upoštevali vseh navodil, lahko pride do težke telesne poškodbe.
- Predpisi nekaterih regij omejujejo uporabo tega izdelka. Za nasvet se obrnite na lokalne oblasti.
- Otrokom in neusposobljenim osebam ne dovolite, da bi uporabljali ta izdelek.
- Naprave nikoli ne zaganjajte v zaprtih ali slabo zračenih prostorih; vdihavanje izpušnih plinov je lahko smrtonosno.

- Pred vsako uporabo temeljito očistite območje obratovanja. Odstránite všetky predmety, ako sú kamene, rozbité sklo, klinec, drôty alebo struny, ktoré by mohli byť vymrštené alebo by sa mohli zamotať do strunovej hlavy alebo noža.
- Pri uporabi izdelka vedno nosite popolno zaščito za oči in sluh. Pri delu na območju, kjer obstaja tveganje za padajoče predmete, morate nositi zaščito za glavo.
- Upravljalavec morda zaradi opreme za zaščito sluha ne bo slišal opozorilnih zvokov. Bodite še posebej pozorni na morebitne nevarnosti okrog delovnega območja in znotraj njega.
- Nosite trpežne dolge hlače, nedrsečo zaščitno obutev in rokavice. Ne nosite ohlapnih oblačil, kratkih hlač, nobenega nakita in ne uporabljajte bosí.
- Dolge lase si spnite nad rameni in tako preprečite, da bi se ujeli v premikajoče se dele.
- Opazovalci, otroci in živali naj bodo med obratovanjem oddaljeni vsaj 15 m. Ugasnite izdelek, če kdo vstopi v območje.
- Izdelka ne uporabljajte, če ste utrujeni, bolni ali pod vplivom alkohola, drog ali zdravil.
- S cepilnikom ne upravljajte pri slabi osvetlitvi. Upravljalavec potrebuje jasen in neoviran pregled, da lahko prepozna morebitne nevarnosti.
- Pazite, da stojite stabilno in da imate ravnotežje. Nesihajte preliš daleko. Če segate preko dosega, lahko izgubite ravnotežje, večje pa je tudi tveganje, da se opečete.
- Dele telesa držite proč od premikajočih se delov.
- Nedotýkajte sa priestoru okolo výfuku alebo valca výrobku, tieto časti sa počas prevádzky silne zahrievajú.
- Pred izvajanjem prilagoditev vedno zaustavite motor in počakajte, da se ohladi.
- Med mešanjem goriva ali polnjenjem rezervoarja za gorivo ne kadite.
- Gorivo mešajte in hranite v posodi, ki je za to odobrena.
- Gorivo mešajte zunaj, tam kjer ni iskrenja ali plamena. Obrišite morebitno razlito gorivo. Preden zaženete motor, se premaknite 9 m od mesta dolivanja goriva.
- Preden dolijete gorivo, motor zaustavite in počakajte, da se ohladi.
- Pred prevažanjem naprave v vozilu pustite da se motor ohladi, izpraznite rezervoar za gorivo in zavarujte premikajoče dele pred premikanjem.
- Vedno ustavite motor in se pripravite, da so se vsi premikajoči se deli popolnoma ustavili, preden:
  - servisiranje
  - pustiti izdelek brez nadzora
  - Čišćenje vašega izdelka
  - menjava dodatkov
  - uvolňujúca blokovanie
  - preverjanje glede poškodb, ko zadenete predmet
  - preverjanje glede poškodb, če izdelek začne neobičajno vibrirati
  - vzdrževanje
  - odmontovanie noža
  - inštalácia noža

EN  
FR  
DE  
ES  
IT  
NL  
PT  
DA  
SV  
FI  
NO  
RU  
PL  
CS  
HU  
RO  
LV  
LT  
ET  
HR  
SL  
SK  
BG  
UK  
TR

### ⚠ OPOZORILO

Nikoli ne uporabljajte rezalnih orodij ali priključkov, ki jih proizvajalec Ryobi izrecno ne navaja v tem priročniku. To velja tudi za vešdelne vrtiljive kovinske verige in rezalne priključke s cepci. Znano je, da tovrstna rezalna orodja in pripomočki med uporabo lahko razpadejo in tako predstavljajo visoko nevarnost povzročitve telesnih poškodb za upravljalca ali mimoidoče.

### ⚠ OPOZORILO

Pregled, če naprava pade ali prejme drug udarec  
Temeljito preglejte izdelek in opazujte, ali je morda poškodovan. Vsak poškodovani del mora ustrezno popraviti ali zamenjati pooblaščen servisni center.

### VARNOSTNA OPOZORILA ZA OBREZOVALNIK ZA TRAVO

- Če je glava kosilnice razpokana, odlomljena ali kakorkoli poškodovana, jo zamenjajte. Prepričajte se, da je glava za nitko ustrezno nameščena in zavarovana. Neupoštevanje teh napotkov lahko povzroči resne poškodbe.
- Ne uporabljajte v mokri travi.
- Kadar uporabljate ta izdelek, ne hodite vzvratno.
- Vedno hodite, nikoli ne tecite.
- Majhno rezilo, nameščeno na snemljivo varovalo za rezanje, je zasnovano za rezanje na novo izvljučene vrvice na ustrezno dolžino, kar omogoča varno in optimalno delovanje. Mehanizem je zelo oster; ne dotikajte se ga, še zlasti ob čiščenju izdelka.
- Poskrbite, da bodo prezračevalne odprtine vedno proste.
- Pred uporabo in po vsakem udarcu se prepričajte, da ni poškodovanih delov. Preglejte rezila in se prepričajte, da niso počena ali kako drugače poškodovana. Okvarjeno stikalo ali drug del, ki je poškodovan, morate ustrezno popraviti ali zamenjati pri pooblaščenem serviserju.
- Prepričajte se, da je glava ustrezno nameščena in trdno pritrjena.
- Prepričajte se, da so vsa varovala, deflektorji, ročaji, vijaki in pritrčila ustrezno in čvrsto pritrjeni.
- Výrobok žiadnym spôsobom neupravujte. Nepopolna pritržitev lahko poveča tveganje poškodb za vas in druge.
- Pri výmene struny v reznej hlave používajte náhradnú strunu iba od výrobcu. Ne uporabljajte nobenih drugih rezalnih pripomočkov.
- Oročja ne uporabljajte brez nameščenega snemljivega varovala za rezanje, ki je v brezhibnem stanju.
- Poskrbite za trden oprijem obeh ročajev med obrezovanjem. Glava za vrstico naj bo pod nivojem vašega pasu. Nikoli ne kosite tako, da je glava za nitko več kot 76 cm dvignjena od tal.

### VARNOSTNA OPOZORILA ZA OBREZOVALNIK GRMIČEVJA

- Poleg zgornjih pravil za uporabo je treba pri uporabi orodja kot obrezovalnika grmičevja upoštevati še naslednja dodatna navodila.
- Pri nameščanju ali odstranjevanju rezil z ostrimi robovi nosite delovne rokavice.
- Ne poskušajte se dotakniti ali zaustaviti vrtečega se rezila.
- Vrteče se rezilo lahko povzroči telesne poškodbe. Dokler se rezilo povsem ne zaustavi, morate ustrezen nadzor nad orodjem ohraniti tako, da ga držite z obema rokama.
- Zamenjajte poškodovano rezilo. Pred uporabo se vedno prepričajte, če je rezilo pravilno nameščeno in dobro pritrjeno.
- Uporabljajte le proizvajalčevo nadomestno rezilo Tri-Arc. Ne uporabljajte nobenih drugih rezalnih pripomočkov.
- Nikoli ne režite materiala, ki ima premer več kot 13 mm.
- Obrezovalnik grmičevja ima nameščen nosilni pas. Nosilni pas previdno prilagodite, da se vam udobno prilega in podpira težo naprave, ki naj visi na vaši desni strani.
- Preden začnete uporabljati napravo, poiščite hitri odpenjalni mehanizem in vadite njegovo uporabo. Pravilna uporaba lahko prepreči hude telesne poškodbe v nujnem primeru. Nikoli ne nosite oblačil prek traka za nošenje ali kako drugače omejite dostop do mehanizma za hitro sprostitev.
- Pred shranjevanjem ali med transportom vedno zavarujte rezilo z zaščito rezila. Pred uporabo naprave ščitnik vedno odstranite. Če ga ne odstranite, ga bo ob zagonu odvrгло proč od naprave.
- Pri uporabi rezila z izdelkom bodite izjemno previdni. Sunek rezila je reakcija, ki se lahko pojavi, ko se rezilo dotakne predmeta, ki ga ne more prerezati. Takšen stik lahko povzroči trenutno zaustavitev rezila, nato pa napravo nenadoma "odbije" proč od predmeta, ob katerega se je zadelo rezilo. Ta reakcija je lahko zadosti sunkovita, da povzroči izgubo nadzora nad napravo. Pride lahko do povratnega udarca rezila, ki je posledica ujetja, zaustavitve ali zadetja rezila ob oviro. To se pogosteje pripeti na območjih, kjer je slaba preglednost nad predelom rezanja.
- Za lažje rezanje in večjo varnost dostopajte k vejam z desne smeri proti levi. Če naletite na nepredviden predmet ali lesen del, lahko to minimizira reakcijo povratnega udarca rezila. Za nadzorovanje izdelka vedno uporabljajte obe roki.

### MONTAŽA

#### ODPAKIRANJE

*Glejte stran 181-182*

Izdelek je treba sestaviti.

- Orodje previdno odstranite iz škatle skupaj z njegovimi dodatki. Preverite, ali so priloženi vsi deli, navedeni na pakimem seznamu.

- Orodje temeljito pregledajte in se prepričajte, da se med prevozom ni poškodoval ali zlomil.

#### ⚠ OPOZORILO

Če so deli poškodovani ali manjkajo, izdelka ne uporabljajte, dokler deli niso zamenjani. Če tega opozorila ne upoštevate, lahko pride do hudih osebnih poškodb.

#### NASTAVITEV OBEŠALNEGA JERMENA

*Glejte stran 185/189*

Nastavite obešalo na pasu v udoben in uravnotežen položaj, pri katerem bosta rezilo ali rezalna glava visela med 100 mm in 300 mm nad površino tal.

#### UPORABA PASU

*Glejte stran 185/189*

**OPOMBA:** Z napravo vedno uporabite nosilni pas.

**OPOMBA:** Za hitro sprostitvev orodja z nosilnega pasu močno povlecite jeziček za hitro sprostitvev.

#### UPORABA GLAVE ZA REZALNIK TRAVE REELEASEY™ IN REZILA TRI-ARC™

- Pri uporabi glave rezalnika trave ReelEasy™ morate na varovalo rezila namestiti deflektor trave. (*Glejte stran 203*)
- Če uporabljate rezilo Tri-Arc™, deflektor trave ne sme biti nameščen na varovalo rezila. (*Glejte stran 202*)

#### ⚠ OPOZORILO

Pred zagonom motorja vedno odstranite zatič za zaklepanje pogonske osi (*glejte 185. korak na strani 10*)

#### DELOVANJE

##### GORIVO IN POLNJENJE

*Glejte stran 184*

- Z gorivom vedno ravnajte pazljivo, saj je visoko vnetljivo.
- Orodje poganja 2-taktni motor in zahteva, da predhodno naredite mešanico bencina in sintetičnega 2-taktnega olja. Neosvinčen bencin in sintetično 2-taktno strojno olje predhodno premešajte v čisti posodi, odobreni za bencin.
- Ta motor je odobren za delovanje z neosvinčenim bencinom, namenjenim za uporabo v motornih vozilih z oktansko vrednostjo 91 ( $(R + M)/2$ ) ali višjo.
- Ne uporabljajte nobene vrste pripravljenih mešanic bencina/olja iz bencinskih črpalk.
- Uporabljajte samo 2-taktno olje. Ne uporabite olja za avtomobile ali 2-taktno olje za zunanjo uporabo.
- Gorivu primešajte 2 % sintetično 2-taktno mazivo. To je razmerje 50:1.
- Dobro premešajte gorivo, prav tako tudi pred vsakim dolivanjem.
- Mešajte majhne količine. Ne mešajte večjih količin, kot jih lahko uporabite v roku 30 dni. Priporočamo

sintetično 2-taktno olje, ki vsebuje stabilizator goriva.

#### POLNJENJE POSODE ZA GORIVO

- Očistite površino okrog pokrovčka za gorivo, da preprečite onesaženje.
- Počasi zrahljajte pokrovček za gorivo, da sprostite pritisk in da preprečite uhajanje goriva okrog pokrovčka.
- Previdno nalijte mešanico goriva v posodo. Pazite, da ne prelijte.
- Preden ponovno namestite pokrovček za gorivo, očistite in pregledajte tesnilo.
- Takoj ponovno namestite pokrovček za gorivo in ga ročno pritegnite. Obrišite morebitno razlito gorivo. Preden motor zaženete, se odmaknite najmanj 9 m (30 ft) stran od območja točenja goriva.

#### ZAGON MOTORJA Z ELEKTRIČNIM ZAGANJALNIKOM (IZBIRNO):

*Glejte stran 196-201.*

#### ⚠ OPOZORILO

Uporabite samo električni zaganjalnik Ryobi OES18. Uporaba drugih vrst zaganjalnikov lahko poškoduje motor in privede do hudih telesnih poškodb.

#### ⚠ OPOZORILO

Preden za zagon orodja uporabite električni zaganjalnik, preberite priročnik za delovanje električnega zaganjalnika OES18 in se prepričajte, da ga v celoti razumete. S tem lahko preprečite nepravilno delovanje in hude telesne poškodbe.

- Izolirano gred držite z levo roko, z desno roko pa gred zaganjalnega elementa namestite v odprtno za gred v motorju. Sicer se motor ne bo zagnal.
- Prepričajte se, da je element zaganjalnika ustrezno vstavljen.

**OPOMBA:** Električni zaganjalnik vključuje varnostno zaporo. Ko gred električnega zaganjalnika vstavite v odprtno gredi na motorju, ne smete hkrati pritisniti in držati preklopnega gumba. Če električni zaganjalnik ni pravilno vstavljen, njegovo obračanje ne bo omogočeno.

#### UPRAVLJANJE REZALNIKA TRAVE

*Glejte stran 189*

**RBC31SESO:** Držite výrobok pravou rukou na zadnej rukoväti a ľavou rukou na prednej rukoväti.

**RBC31SBO:** Izdelek z desno roko držite za ročaj s stikalom za vklop, z levo roko pa za levi ročaj.

- Med obratovanjem oba ročaja držite trdno.
- Izdelek morate držati v udobnem položaju tako, da je ročaj s stikalom za vklop približno v višini bokov.
- Izdelek vedno uporabljajte s polnim plinom. Zaradi daljše neprekinjene košnje z delnim plinom lahko začne iz dušilca zvoka kapljati mazivo.
- Visoko travo kosite od zgoraj navzdol, saj boste tako preprečili ovijanje trave okrog ohišja gredi in glave kosilnice, zaradi česar bi lahko prišlo do škode zaradi

pregretja.

- Če se okoli rezalnih elementov ovijne trava ali zagostijo ostanke, motor zaustavite. Nadenite si trpežne rokavice, da preprečite poškodbe zaradi ostrih rezil, in previdno odstranite ostanke.
- Glave ne potiskajte v travo, predvideno za košnje. Pomikajte se od ene strani do druge. Po vsakem zamahu se nekoliko pomaknite naprej.
- Kosilnico držite nagnjeno v smeri območja košnje.
- Izdelka ne uporabljajte v nevarnem okolju.
- Kosite s konico nitke; glave kosilnice ne potiskajte v nepokošeno travo.
- Žične in lesene ograje povzročijo dodatno obrabo ali celo pretrganje nitke. Kamniti ali opečnati zidovi ter robniki in leseni kosi lahko pospešijo obrabo nitke.
- Izogibajte se drevesom in grmičevju. Nitka lahko zlahka poškoduje drevesno lubje, lesene ornamente, deske in drogeve ograj.

## UPORABA OBREZOVALNIKA GRMOVJA

Glejte stran 192

Za zmanjšanje tveganje reakcijske sile: Orodja ne potiskajte v material, predviden za rezanje. Z enakomernimi zamahi se pomikajte od desne proti levi. Na začetku vsakega zamaha se nekoliko pomaknite naprej.

**RBC31SESO:** Držite výrobok pravou rukou na zadnej rukoväti a ľavou rukou na prednej rukoväti.

**RBC31SBO:** Izdelek z desno roko držite za ročaj s stikalom za vklop, z levo roko pa za levi ročaj.

- Izdelek morate držati v udobnem položaju tako, da je ročaj s stikalom za vklop približno v višini bokov.
- Ves čas trdno in stabilno stojte na obeh nogah. Postavite se tako, da v primeru povratnega sunka rezila ne boste izgubili ravnotežja.
- Usnjeno zanko nastavite tako, da boste napravo lahko udobno uporabljali.
- Pri uporabi rezila z izdelkom bodite izjemno previdni. Sunek rezila je reakcija, ki se lahko pojavi, ko se rezilo dotakne predmeta, ki ga ne more prerezati. Takšen stik lahko povzroči trenutno zaustavitev rezila, nato pa napravo nenadoma "odbije" proč od predmeta, ob katerega se je zadelo rezilo. Ta reakcija je lahko zadostno sunkovita, da povzroči izgubo nadzora nad napravo. Pride lahko do povratnega udarca rezila, ki je posledica ujetja, zaustavitve ali zadetja rezila ob oviro. To se pogosteje pripeti na območjih, kjer je slaba preglednost nad predelom rezanja. Za lažje rezanje in večjo varnost dostopajte k vejam z desne smeri proti levi. **Če naletite na nepredviden predmet ali lesen del, lahko to minimizira reakcijo povratnega udarca rezila.**

## TRANSPORT IN SHRANJEVANJE

- Ustavite izdelek in pustite, da se ohladi, preden ga shranite ali prevažate.
- Očistite vse tujke z izdelka.
- Ak je rezný nôž namontovaný, nasadte naň chránič noža.
- Odtočite vse gorivo iz rezervoarja v posodo, ki je

odobrena za bencin. Ne pozabite pravilno menjati in priviti pokroščka za gorivo.

- Pustite delovati motor, dokler se ne zaustavi. S tem boste porabili vse gorivo, ki bi lahko postalo postano in povzročilo nabiranje usedlin v sistemu za dovod goriva.
- Shranite jo na suhem in dobro prezračenem mestu, ki ni na dosegu otrok. Hranite proč od jedkih sredstev, kot so kemikalije za vrtnarjenje in soli za odmrzovanje. Ne shranjujte na prostem.
- Za transport zavarujte izdelek pred premiki ali padci, da preprečite poškodbe oseb ali izdelka.
- Naprave nikoli ne prenašajte, ko je v teku.
- Upoštevajte vse državne in krajevne predpise glede varnega skladiščenja in rokovanja z bencinom. Odvečno gorivo uporabite za druge naprave s pogonom na 2-taktno motorje.

## KRÁTKODOBO

- Pred shranjevanjem ustavite motor in počakajte, da se ohladi.
- Očistite vse tujke z izdelka.
- Shranite jo na suhem in dobro prezračenem mestu, ki ni na dosegu otrok.
- Hranite proč od jedkih sredstev, kot so kemikalije za vrtnarjenje in soli za odmrzovanje.
- Ne shranjujte na prostem.

## VZDRŽEVANJE

### ⚠ OPOZORILO

Uporabljajte le originalne rezervne dele in dodatke, ki jih priporoča proizvajalec. V nasprotnem primeru naprava lahko slabo deluje, povzroči poškodbe, garancija pa ne velja več.

### ⚠ OPOZORILO

Rezilni nastavek se v prostem teku ne sme premikati. Če ta zahteva ni izpolnjena, je treba nastaviti sklopko ali pa morate napravo odnesti na nujno vzdrževanje k usposobljenemu tehniku.

### ⚠ OPOZORILO

Pokrovček goriva, ki ne tesni, predstavlja nevarnost za požar in ga morate takoj zamenjati.

### ⚠ OPOZORILO

Upoštevajte, da je matica rezila samovarovalna, zato jo je dovoljeno pri montaži uporabiti največ enkrat. Samovarovalne matice ne uporabite znova. Pri montaži/ponovni montaži uporabite novo samovarovalno matico. Če ne boste upoštevali vseh navodil, lahko pride do težke telesne poškodbe.

### ⚠ OPOZORILO

Pri sestavljanju rezila poskrbite, da je navor matice  $\geq 25\text{Nm}$ . Če ne boste upoštevali vseh navodil, lahko pride do težke telesne poškodbe. (glejte 4. korak na strani 202)

- Pred kakršnim koli vzdrževanjem vedno ustavite motor in počakajte, da se ohladi.
- Opravljeni smete le nastavitve in popravila, ki so opisana v teh navodilih za uporabo. Za ostala popravila dostavite enoto k pooblaščenemu serviserju.
- Posledice nepravilnega vzdrževanja so lahko npr. prekomerno kopičenje ogljika, kar povzroča zmanjševanje učinkovitosti in izpust črnih oljnih ostankov, ki kapljajo iz dušilca zvoka.
- Za nadomestno nitko uporabljajte samo nitko iz najlonskih vlaken s premerom, ki je opisan v tabeli s tehničnimi podatki v tem priročniku.
- Po menjavi rezalne vrvice vedno preklonite napravo v normalno delovno stanje, preden jo znova zaženete. Po vsaki uporabi izdelek očistite z mehko in suho krpo.
- Prepričajte se, da so vsa varovala, pasovi, deflektorji in ročaji ustrezno in varno nameščeni, da bi se izognili tveganju telesnih poškodb.

### URNIK VZDRŽEVANJA

Preverite, ali je pritrdilo popolnoma pritrjeno	Pred vsako uporabo
Prepričajte se: Rezilni nastavek se v prostem tekcu ne sme premikati. <sup>2</sup>	Pred vsako uporabo
Preverite cev za gorivo	Pred vsako uporabo
Preverite vse cevne povezave	Pred vsako uporabo
Očistite rezervoar za gorivo in filter <sup>1</sup>	Vsake 3 mesece ali vsakih 50 ur delovanja
Zamenjajte filter za gorivo <sup>1</sup>	Enkrat letno ali po 300 urah delovanja
Preverite, ali pokrov rezervoarja za gorivo ali oddušnik za hlape (če je del opreme) pušča	Pred vsako uporabo
Očistite zračni filter.	Vsaki 25 ur
Menjajte zračni filter	Enkrat letno ali po 300 urah delovanja
Očistite in nastavite vžigalno svečko	Vsake 6 mesece ali vsakih 100 ur delovanja
Zamenjajte filter za gorivo	Enkrat letno ali po 300 urah delovanja
Očistite lovilec isker	Vsaki 25 ur

Zamenjajte ga z novim iskrolovom.	Enkrat letno ali po 300 urah delovanja
Čiščenje izpušne cevi in dušilca	Vsaki 25 ur

1 Ta opravila naj izvajajo samo v pooblaščenih servisnih centrih.

2 Če ta zahteva ni izpolnjena, se za popravilo ali nastavitve obrnite na pooblaščen servisni center.

### REZIDUALNA TVEGANJA:

Tudi če izdelek uporabljate tako, kot je predpisano, še vedno ne moremo izključiti določenih preostalih dejavnikov tveganja. Med uporabo se lahko pojavijo naslednje nevarnosti, upravljavec pa naj bo pozoren na sledeče:

- Stik z rezili.
  - Prepričajte se, da so nameščena varovala rezil, kadar naprava ni v uporabi. Roke in noge držite vedno proč od rezil.
- Poškodbe zaradi vibracij.
  - Vedno uporabljajte pravo orodje za opravilo, uporabite ustrezne ročaje in omejite delovni čas in izpostavljenost.
- Poškodbe sluha zaradi izpostavljenosti hrupu
  - Nosite zaščito za sluh in omejite izpostavljenost.
- Poškodbe oči, zaradi delcev, ki odletijo.
  - Vedno nosite zaščito za oči.
- Tveganje padajočih predmetov
  - V primeru nevarnosti zaradi padajočih predmetov nosite čelado.

Pri uporabi krovinozeza su mōže vyskytnūt spātny rāz. Ustrezny nadzor nad orodjem zagotovite tako, da ga držite z obema rokama na za to predvidenih ročajih. Za zmanjšanje reakcijske sile preberite in upoštevejte navodila v tem priročniku.

### ZMANJŠANJE TVEGANJA

Ugotovljeno je bilo, da lahko pri nekaterih posameznikih vibracije ročnih orodij povzročijo Raynaudov sindrom. Simptomi so lahko mravljinca, otrplost in pobledele prsti, kar je običajno vidno, kadar je oseba izpostavljena mrazu. Dedni dejavniki, izpostavljenost mrazu in vlagi, dieta, kajenje in delovne navade naj bi pripomogle k razvoju teh simptomov. Za zmanjšanje učinkov vibracij lahko upravljavec upošteva naslednja navodila:

- Poskrbite, da bo vaše telo na mrazu toplo. Med upravljanjem nosite rokavice in tako ohranjajte toploto vaših dlani in zapestij. Kot poročajo, je mraz glavni dejavnik, ki prispeva k Raynaudovemu sindromu.
- Po vsakem obdobju upravljanja naprave telovadite in tako pospešite krvni obtok.
- Pazite, da je naprava v v ustreznem delovnem položaju, preden jo zaženete.
- Omejite dnevno količino izpostavljenosti. Pogosto si vzemite odmor.

Če zaznavate kakršne koli simptome takšnega stanja, takoj prenehajte z uporabo naprave in se o simptomih posvetujte z zdravnikom.

EN  
FR  
DE  
ES  
IT  
NL  
PT  
DA  
SV  
FI  
NO  
RU  
PL  
CS  
HU  
RO  
LV  
LT  
ET  
HR  
SL  
SK  
BG  
UK  
TR

## ⚠ OPOZORILO

Daljša uporaba orodja lahko privede do poškodb ali pa so poškodbe lahko hujše. Kadar orodje uporabljate dalj časa, si večkrat vzemite odmor.

## SPOZNAJTE SVOJ IZDELEK

1. Ročica zaganjalnika
2. Pokrov za bencin
3. RBC31SBO: Ročaj
4. RBC31SBO: Pogonska os
5. Varovalo rezila
6. Deflektor trave
7. Najlonska matica
8. Podložka rezila
9. Privihana podložka
10. Ščitnik rezila
11. Tri-Arc™ rezilo
12. Ohišje zgornje glave nitke
13. Vreteno
14. Pružinové tlačidlo
15. Ohišje spodnje glave nitke
16. Rezilna nitka
17. RBC31SBO: Gumb za zaporo stikala
18. RBC31SBO: Stikalo dušilne lopute
19. Stikalo za vklop
20. RBC31SBO: Sprožilni gumb
21. Zanka za trak
22. RBC31SESO: Spodnja gred
23. RBC31SESO: Gumb
24. RBC31SESO: Zgornja cev
25. RBC31SESO: Sprednji ročaj
26. RBC31SESO: Stikalo dušilne lopute
27. RBC31SESO: Sprožilni gumb

## SIMBOLI NA IZDELKU



Varnostni alarm



Pred uporabo izdelka morate prebrati in razumeti vsa navodila, upoštevati vsa opozorila in varnostne napotke.



Nosite zaščito za oči, ušesa in glavo.



Ko uporabljate izdelek, nosite zaščitno obutev, ki ne drsi.



Nosite si nedrseče, močne delovne zaščitne rokavice.



Pazite na izvržene ali leteče predmete. Prisotni (še posebej otroci in živali) naj bodo med obratovanjem oddaljeni vsaj 15 m od delovnega območja.



Izdelek ni predviden za uporabo ozobljenih rezil, kot jih uporablja krožna žaga.



Da zmanjšate tveganje poškodb ali škode, preprečite stik z vročo površino.



Roke držite proč od rezil.



Zajamčena raven zvočne moči



Položaj teka



Ročico dušilne lopute premaknite v položaj »FULL« (polna zadušitev).



Ročico dušilne lopute premaknite v položaj »HALF« (polovična zadušitev).



Čas čakanja 10 sekund



POLNJENJE  
10-krat pritisnite črpalni mehurček.



Povlecite vrstico zaganjalnika.



Za zagon pritisnite sprožilec dušilke.



Plin zaklenite v ustrezen položaj, tako da pritisnete gumb za zaporo plina.



Uporabljajte neosvinčen bencin, namenjen za motorna vozila, z oktanskim številom 91 ((R+M)/2) ali višje.



Uporabljajte olje za 2-taktne motorje z zračnim hlajenjem.



Pred vsakim točenjem goriva dobro premešajte mešanico goriva.



Ročni zagon hladnega motorja



Ročni zagon segretega motorja



Zagon hladnega motorja z električnim zaganjalnikom



Zagon segretega motorja z električnim zaganjalnikom:



Znak za ravno gred: Pri nameščanju motka za vrstico na rezalno orodje mora biti ta znak upravljavcu viden.



Rezilo Tri-Arc™ je primerno za ta izdelek ter za rezanje močnega plevela in vinske trte.





Potrebna je previdnost pred sunki rezila.



Smer vrtenja in maksimalna hitrost gredi za rezalni nastavek.



Povleci  
Jeziček za hitro sprostitev



Ustreza vsem predpisanim standardom v državi članici EU, kjer je bil kupljen izdelek.



EurAsian oznaka o skladnosti



Ukrajinska oznaka za skladnost

Sledeče signalne besede in pomeni naj bi pojasnili ravni tveganja, ki so povezane s tem izdelkom.

**⚠ NEVARNOST**

Označuje neizbežno tvegano stanje, ki če se ji ne izognete lahko povzroči smrt ali resno poškodbo.

**⚠ OPOZORILO**

Označuje morebitno tvegano stanje, ki če se ji ne izognete lahko povzroči smrt ali resno poškodbo.

**⚠ POZOR**

Označuje morebitno tvegano stanje, ki če se mu ne izognete lahko povzroči manjšo ali srednje resno poškodbo.

**POZOR**

Brez simbola za varnostno opozorilo  
Prikazuje situacijo, ki lahko povzroči materialno škodo.

**SIMBOLI V TEM PRIROČNIKU**



Opomba



Opozorilo

EN  
FR  
DE  
ES  
IT  
NL  
PT  
DA  
SV  
FI  
NO  
RU  
PL  
CS  
HU  
RO  
LV  
LT  
ET  
HR  
**SL**  
SK  
BG  
UK  
TR

Bezpečnosť, efektívnosť a spoľahlivosť boli prvoradé pri navrhovaní vášho krovínorezu/vyžínača.

### ÚČEL POUŽITIA

Krovínorez/vyžínač môžu používať len svojprávne dospelé osoby, ktoré si prečítali a porozumeli pokynom a varovaniám v tejto príručke. Tento produkt je určený výhradne na použitie v exteriéri a v dobre vetraných priestoroch. Z bezpečnostných dôvodov musí byť krovínorez náležite ovládaný pomocou oboch rúk.

Tento výrobok je vybavený strunovou hlavou vyžínača (a príslušným ochranným krytom) a je určený na kosenie dlhej trávy, dužinatej buriny a podobnej vegetácie na povrchu zeme alebo blízko povrchu zeme. Ak je vybavený trojzubým nožom Tri-Arc™ (s vhodným ochranným krytom), môže byť používaný na rezanie kríkov. Tento výrobok nie je určený na používanie s pilovým kotúčom.

Rezná rovina musí byť vždy približne rovnobežná s povrchom zeme. Tento produkt sa nesmie používať na strihanie či orezávanie živých plotov, kríkov či inej vegetácie, kde rezná rovina nie je rovnobežná s povrchom zeme.

Nepoužívajte na žiadne iné účely.

### VAROVANIE

Pre zníženie nebezpečenstva poranenia musí užívateľ pred použitím tohto výrobku prečítať a pochopiť návod na obsluhu.

### VAROVANIE

Skôr než začnete tento výrobok používať, pozorne si prečítajte a oboznámte sa so všetkými bezpečnostnými predpismi a prevádzkovými pokynmi, uvedenými v tejto príručke. Pri ich nedodržaní by mohlo dôjsť k nehodám ako úder elektrickým prúdom, požiar alebo závažné osobné poranenie. Odložte si tento návod na obsluhu a pravidelne ho kontrolujte, dosiahnete tak bezpečnú prevádzku a môžete informovať iné osoby, ktoré môžu tento produkt používať.

### VAROVANIE

Produkt nie je určený na použitie deťmi alebo osobami so zníženými fyzickými, duševnými alebo zmyslovými schopnosťami. Deti musia byť pod primeraným dozorom, aby sa nemohli s produktom hrať.

### VŠEOBECNÉ BEZPEČNOSTNÉ VÝSTRAHY

- Pred použitím produktu si prečítajte s porozumením všetky pokyny, dosiahnete tak bezpečnú prevádzku. Dodržujte všetky bezpečnostné pokyny. Nedodržanie všetkých pokynov môže spôsobiť vážne zranenia.
- Niektoré regióny majú nariadenia, ktoré obmedzujú použitie produktu. Poradte sa s miestnym úradom.
- Nedovoľte tento produkt používať deťom a nezaškoleným osobám.
- Nikdy neštartujte ani nespúšťajte motor v uzavretom alebo nedostatočne vetranom priestore – pri nadýchaní výfukových plynov hrozí usmrtenie.

- Pred každým použitím vyčistite pracovisko. Odstráňte všetky predmety, ako sú kamene, rozbité sklo, kince, drôty alebo struny, ktoré by mohli byť vymrštené alebo by sa mohli zamotať do strunovej hlavy alebo noža.
- Pri práci s týmto zariadením používajte chrániče zraku a sluchu. Pri práci v priestore, kde existuje riziko pádu predmetov, používajte ochranu hlavy.
- Ochrana sluchu môže obmedziť schopnosť obsluhujúceho počuť výstražné zvuky. Venujte zvýšenú pozornosť potenciálnym rizikám v pracovnom priestore a jeho okolí.
- Noste pevné dlhé nohavice, ochrannú nešmykľavú obuv a rukavice. Nenoste voľné pohodlné oblečenie, krátke nohavice, bižutériu žiadneho druhu, ani nepracujte bosí.
- Dlhé vlasy zaistite, aby boli nad úrovňou pliec a nedošlo tak k ich zamotaniu do pohyblivých dielov.
- Všetci okolostojace osoby, deti a domáce zvieratá musia byť vo vzdialenosti minimálne 15 m. Ak nejaká osoba vstúpi do pracovného priestoru, zastavte produkt.
- Nepoužívajte tento produkt, keď ste unavení, chorí alebo pod vplyvom, alkoholu, drog alebo liekov.
- Nepracujte pri nedostatočnom osvetlení. Obsluhujúci musí mať neobmedzený výhľad, aby mohol identifikovať potenciálne riziká.
- Neustále zachovávajte pevnú oporu nôh a rovnováhu. Nepreceňujte sa. Pri siahaní príliš ďaleko môžete stratiť rovnováhu a vystaviť sa horúcim povrchom.
- Žiadnu časť tela nedávajte do blízkosti žiadnej pohybujucej sa časti.
- Nedotýkajte sa priestoru okolo výfuku alebo valca výrobku, tieto časti sa počas prevádzky silne zahrievajú.
- Vždy vypnite motor a nechajte ho vychladnúť, predtým ako budete robiť akékoľvek nastavenie.
- Pri miešaní paliva alebo plnení palivovej nádrže nefajčite.
- Palivo miešajte a skladujte v nádobe určenej na palivo.
- Palivo miešajte vonku, v bezpečnej vzdialenosti od zdrojov iskrenia a otvoreného ohňa. Akýkoľvek rozliaty benzín ihneď utrite. Pred naštartovaním motora sa presuňte 9 m od miesta dopĺňania paliva.
- Pred doplnením paliva zastavte motor a výrobok nechajte vychladnúť.
- Pred prevozom v automobile nechajte motor vychladnúť, vyprázdňte palivovú nádrž a zaistite zariadenie pred posunutím.
- Pred nasledujúcimi krokmi vždy zastavte motor a skontrolujte, či sa všetky pohybujuce úplne zastavili:
  - servis
  - ponechanie produktu bez dozoru
  - čistenie vášho výrobku
  - výmena príslušenstva
  - uvoľňujúca blokovanie
  - skontrolujte akékoľvek poškodenie po zásahu objektom
  - skontrolujte akékoľvek poškodenie, ak produkt začne neštandardne vibrovať

- vykonávanie údržby
- odmontovanie noža
- inštalácia noža

#### VAROVANIE

Nikdy nepoužívajte rezné prostriedky alebo zariadenia, nie sú špecifikované firmou Ryobi. Vzťahuje sa to aj používanie kovových otočných viackusových reťazí a cepových čepelí. O týchto nástrojoch je známe, že počas prevádzky e dochádza k ich zničeniu a predstavujú tak vysoké riziko vážneho zranenia operátora alebo okoloidúcich.

#### VAROVANIE

Kontrola po páde či iných nárazoch

Dôkladne skontrolujte produkt a zistite na ňom prípadné poruchy, či poškodenia. Akýkoľvek poškodený diel sa musí náležite opraviť alebo vymeniť v autorizovanom servisnom centre.

#### BEZPEČNOSTNÉ VÝSTRAHY PRE VYŽÍNAČ

- Ak je hlava s vláknom prasknutá, vyštrbená alebo inak poškodená, vymeňte ju. Uistite sa, že strunová hlava je správne nainštalovaná a bezpečne pripevnená. V opačnom prípade môže dôjsť k vážnemu poraneniu.
- Nepoužívajte na mokrej trávě.
- Pri používaní produktu nekráčajte dozadu.
- Choďte krokom, nikdy nebežte.
- Malý nôž, vsadený do ochranného krytu rezného zariadenia, slúži na orezávanie vysúvacieho vlákna na správnu dĺžku, na bezpečnú a optimálnu prevádzku. Je veľmi ostrý; nedotýkajte sa ho, najmä pri čistení výrobku.
- Vždy skontrolujte, či vetracie otvory nie sú upchaté úlomkami.
- Pred použitím a po každom náraze skontrolujte, či nie sú nejaké diely poškodené. Skontrolujte rezacie zariadenia, či nevykazujú známky prasknutia alebo iného poškodenia. Chybný spínač či akýkoľvek iný diel, ktorý je poškodený, je potrebné náležite opraviť alebo vymeniť v autorizovanom servisnom zariadení.
- Skontrolujte, či je nástavec s hlavou správne namontovaný a bezpečne upnutý.
- Uistite sa, že všetky kryty, deflektory, rukoväte, skrutky a spojovacie prvky sú správne a bezpečne pripevnené.
- Izdelka na noben način ne spreminajte. Toto môže zvýšiť riziko vášho poranenia alebo poranenia iných osôb.
- Pri výmene struny v reznej hlave používajte náhradnú strunu iba od výrobcu. Nepoužívajte žiadne iné rezné nástavce.
- Nikdy nepoužívajte výrobok bez krytu rezného zariadenia nasadeného na svojom mieste a v dobrom stave.
- Pri zastrihávaní držte pevne obidve rukoväte. Držte strunovú pásu pod úrovňou pásu. Nikdy nestrihajte, keď sa hlava s vláknom nachádza viac ako 76 cm nad

zemou.

#### BEZPEČNOSTNÉ VÝSTRAHY PRE KROVINOREZ

- Okrem vyššie uvedených pravidiel, pri používaní výrobku v režime krovinorezu, sú platné tieto dodatočné pokyny.
- Používajte vysoko odolné pracovné rukavice pri inštalácii alebo demontovaní nožov, ktoré majú ostré hrany.
- Ne pokúšajte sa dotýkať rotujúceho ostria, ani ho zastaviť.
- Pohybujúci sa nôž môže spôsobiť vážne zranenie. Pevne obidvomi rukami udržiajte kontrolu nad výrobkom, až kým sa nôž úplne neprestane otáčať.
- Vymeňte ostrie, ktoré bolo poškodené. Pred každý, použitím vždy skontrolujte, či je ostrie namontované správne a bezpečne utiahnuté.
- Používajte len náhradné ostrie výrobcu Tri-Arc. Nepoužívajte žiadne iné rezné nástavce.
- Nikdy nepoužívajte na rezanie žiadneho materiálu s priemerom väčším ako 13 mm.
- Krovinorez je vybavený popruhom. Starostlivo nastavte popruhy na pohodlné nosenie a rozloženie hmotnosti výrobku na vašej ľavej strane.
- Oboznámte sa s činnosťou mechanizmu rýchleho uvoľnenia a vyskúšajte si jeho používanie predtým, ako začnete používať zariadenie. Jeho správne použitie môže zabrániť vážnemu poraneniu v prípade ohrozenia. Nikdy nenoste na postroji ďalší odev ani nijako inak neobmedzujte prístup k mechanizmu rýchleho uvoľnenia.
- Pred skladovaním zariadenia alebo počas prepravy zakryte ostrie ochranným krytom ostria. Pred použitím zariadenia vždy odstráňte ochranný kryt ostria. Pokiaľ ochranný kryt ostria neodstránite, mohlo by dôjsť k jeho vymršteniu, ako sa ostrie začne otáčať.
- Pri použití ostria s produktom buďte mimoriadne opatrní. Zachytenie ostria je reakcia, ktorá nastane, keď sa rotujúce ostrie dostane do kontaktu s čímkol'ek, čo nedokáže prerezať. Tento kontakt môže spôsobiť zastavenie ostria na okamih a následné šklbnutie zariadenie smerom od zasiahnutého predmetu. Táto reakcia môže byť dostatočne prudká, aby spôsobila stratu kontroly obsluhujúcej osoby nad zariadením. Ak sa ostrie zachytí, zapadne alebo zovrie, môže bez výstrahy dôjsť k jeho posoteniu. K tomu pravdepodobnejšie dôjde na miestach, kde je ťažké vidieť práve rezaný materiál.
- Ak chcete rezať ľahko a bezpečne, pristupujte k rezanej burine sprava doľava. V prípade neočakávaného kontaktu s nejakým predmetom alebo dreveným pňom tak môžete minimalizovať reakciu pri zachytení ostria. Na ovládanie tohto produktu sa neustále musia používať obe ruky.

#### MONTÁŽ

##### ROZBALOVANIE

Pozrite stranu 181-182.

Tento produkt vyžaduje montáž.

EN  
FR  
DE  
ES  
IT  
NL  
PT  
DA  
SV  
FI  
NO  
RU  
PL  
CS  
HU  
RO  
LV  
LT  
ET  
HR  
SL  
**SK**  
BG  
UK  
TR

- Opatrne vyberte nástroj a všetko príslušenstvo zo skatule. Skontrolujte, či sa v balení nachádzajú všetky položky uvedené v záseľkovom zozname.
- Dôkladne skontrolujte zariadenie, či počas prepravy nedošlo k žiadnemu porušeniu alebo poškodeniu.

#### ⚠ VAROVANIE

Ak nejaké predmety chýbajú alebo sú viditeľne poškodené, nepracujte s týmto strojom, kým sa súčasti nevymenia. Pri nerespektovaní tejto výstrahy by mohlo dôjsť k vážnemu poraneniu osôb.

#### ÚPRAVA DRŽIAKA POPRUHU

Pozrite stranu 185/189.

Nosný držiak popruhu upravte do pohodlnej a vyváženej polohy, kde bude sečné alebo rezné príslušenstvo zavesené 100 až 300 mm nad povrchom zeme.

#### POUŽÍVANIE POSTROJA

Pozrite stranu 185/189.

**POZNÁMKA:** Výrobok vždy používajte s popruhom.

**POZNÁMKA:** Na rýchle uvoľnenie výrobku z popruhu, prudko zatiahnite za výložku rýchleho uvoľnenia.

#### POUŽÍVANIE HLAVY STRUNOVEJ KOSAČKY REELEASE™ A TROJZUBÉHO NOŽA TRI-ARC™

- Pri používaní hlavy strunovej kosačky ReelEasy™ je nutné na kryt noža namontovať deflektor na trávu. (Pozrite stranu 203).
- Pri použití ostria Tri-Arc™ je potrebné demontovať odchyľovač trávy z krytu ostria. (Pozrite stranu 202).

#### ⚠ VAROVANIE

Pred spustením motora vždy demontujte kolík na zablokovanie prevodového hriadeľa (pozrite si stranu 185, krok 4)

#### PREVÁDZKA

#### PALIVO A PLNENIE PALIVOVEJ NÁDRŽE

Pozrite stranu 184.

- S palivom vždy manipulujte opatrne, je vysoko zápalné.
- Tento výrobok je vybavený dvojtaktným motorom, ktorý na svoju prevádzku potrebuje zmes benzínu a syntetického oleja pre dvojtaktné motory. Zmiešajte bezolovnatý benzín a syntetický olej pre dvojtaktné motory v čistej nádobe, ktorá zodpovedá bezpečnostným predpisom.
- Tento motor používa bezolovnatý benzín pre motorové vozidlá s oktánovým číslom 91 (I(R + M)/2) a viac.
- Nepoužívajte žiadne vopred pripravené zmesi benzínu s olejom, ktoré sa predávajú na benzínových čerpacích staniách.
- Používajte len syntetický olej pre dvojtaktné motory. Nepoužívajte automobilové mazivá, alebo dvojtaktné pomocné mazivá.
- Zamiešajte do benzínu 2 % syntetické mazivo pre dvojdobé motory. Teda v pomere 50:1.

- Pred doplnením paliva do nádrže palivovú zmes dôkladne premiešajte.
- Pripravte palivovú zmes v malom množstve. Nepripravujte si zmes viac než na mesiac dopredu. Odporúča sa používať syntetický olej pre dvojtaktné motory so stabilizujúcou prísadou.

#### PLNENIE PALIVOVEJ NÁDRŽE

- Vyčistite povrch okolo uzáveru, aby nedošlo ku kontaminácii paliva.
- Pomaly odkrutkujte uzáver palivovej nádrže, aby došlo k uvoľneniu tlaku a aby sa palivo nerozlialo okolo uzáveru.
- Pomaly a opatrne nalejte palivo do nádrže. Dávajte pozor, aby ste palivo nerozliali.
- Predtým, ako uzáver znovu zaskrutkujete, vyčistite tesnenie a skontrolujte jeho stav.
- Ihneď nasadte uzáver a pevne ho pritiahnite. Akýkoľvek rozliaty benzín ihneď utrite. Pred spustením motora sa presuňte 9 m (30 stôp) od miesta na dopĺňanie paliva.

#### NAŠTARTOVANIE MOTORA POUŽÍTÍM ELEKTRICKÉHO ŠTARTÉRA (VOLITELNÉ):

Pozrite stranu 196-201.

#### ⚠ VAROVANIE

Používajte výhradne elektrický štartér Ryobi OES18. Použitie akéhokoľvek iného štartéra môže poškodiť motor a spôsobiť vážne zranenie osôb.

#### ⚠ VAROVANIE

Pred použitím elektrického štartéra na spustenie výrobku, si prečítajte a úplne osvojte návod na obsluhu elektrického štartéra OES18, aby sa zabránilo nesprávnej manipulácii a vážne zranenie.

- Svojou ľavou rukou uchopte izolovanú tyčku a pravou rukou vložte hriadeľ hrotu štartéra do otvoru na hriadeľ na motore. V opačnom prípade sa motor nespustí.
- Uistite sa, že bit štartéra je správne zasunutý.

**POZNÁMKA:** Elektrický štartér je vybavený bezpečnostnou poistkou. Nestláčajte ani nedržte tlačidlo vypínača pri vkladaní hriadeľa elektrického štartéra do otvoru pre hriadeľ na motore. Štartér sa neroztočí, ak je elektrický štartér nesprávne zapojený.

#### OBSLUHA STRUNOVEJ KOSAČKY

Pozrite stranu 189.

**RBC31SESO:** Držte výrobok pravou rukou na zadnej rukoväti a ľavou rukou na prednej rukoväti.

**RBC31SBO:** Držte zariadenie pravou rukou na rukoväti so spúšťou a ľavou rukou na ľavej rukoväti.

- Počas práce držte zariadenie pevne oboma rukami.
- Zariadenie sa musí držať v pohodlnej polohe a rukoväť so spúšťou by mala byť približne vo výške bedier.
- So zariadením vždy pracujte na plný plyn. Dlhodobé rezanie pri čiastočnom plyne spôsobí vykvapkávanie maziva z tlmíča.

- Vysokú trávu koste zhora nadol, aby nedošlo k jej omotaniam okolo krytu hriadeľa a hlavy s vláknom, čo by mohlo spôsobiť poškodenie následkom prehriatia.
- Ak sa na sečné náradie zachytí tráva alebo nečistoty, motor zastavte. Aby ste predišli poraneniu ostrými nožmi, použite hrubé rukavice a nečistoty odstráňte.
- Netlačte na trávu, ktorú kosíte. Pohybujte sa zo stany na stranu. Na konci každého záberu sa posuňte trochu dopredu.
- Zariadenie držte naklonené smerom k rezanému priestoru.
- Nepoužívajte v nebezpečných prostrediach.
- Strihajte pomocou špičky vlákna – netlačte hlavu s vláknom do nepokosenej trávy.
- Drôtové a tyčkové ploty spôsobujú nadmerné opotrebenie vlákna, dokonca pretrhnutie. Kamenné a tehlové steny, obrubníky a drevo môžu spôsobiť rýchle opotrebenie vlákna.
- Vyhybajte sa stromom a krovinám. Stromová kôra, drevené výlisky, krytina a stĺpy v plote sa dajú vláknom ľahko poškodiť.

### OBSLUHA KROVINOREZU

Pozrite stranu 192.

Aby sa pomohlo znížiť riziko vzniku spätného rázu: Netlačte na rezaný materiál. Pohybujte sa sprava doľava v pravidelných záberoch. Na začiatku každého nového záberu sa posuňte trochu dopredu.

**RBC31SESO:** Držte výrobok pravou rukou na zadnej rukoväti a ľavou rukou na prednej rukoväti.

**RBC31SBO:** Držte zariadenie pravou rukou na rukoväti so spúšťou a ľavou rukou na ľavej rukoväti.

- Zariadenie sa musí držať v pohodlnej polohe a rukoväť so spúšťou by mala byť približne vo výške bedier.
- Udržiavajte správny úchop a rovnováhu na oboch nohách. Postavte sa tak, aby ste nestratili rovnováhu pri reakcii na spätný náraz rezného ostria.
- Nastavte vešiak popruhov do pohodlnej polohy.
- Pri použití ostria s produktom buďte mimoriadne opatrní. Zachytenie ostria je reakcia, ktorá nastane, keď sa rotujúce ostrie dostane do kontaktu a čímkofvek, čo nedokáže prerezat'. Tento kontakt môže spôsobiť zastavenie ostria na okamih a následné šklbnutie zariadenie smerom od zasiahnuteho predmetu. Táto reakcia môže byť dostatočne prudká, aby spôsobila stratu kontroly obsluhujúcej osoby nad zariadením. Ak sa ostrie zachytí, zapadne alebo zovrie, môže bez výstrahy dôjsť k jeho posoteniu. K tomu pravdepodobnejšie dôjde na miestach, kde je ťažké vidieť práve rezaný materiál. Ak chcete rezať ľahko a bezpečne, pristupujte k rezanej burine sprava doľava. **V prípade neočakávaného kontaktu s nejakým predmetom alebo dreveným pňom tak môžete minimalizovať reakciu pri zachytení ostria.**

### PREPRAVA A SKLADOVANIE

- Pred uskladnením alebo prepravou zastavte produkt a nechajte ho vychladnúť.

- Odstráňte zo zariadenia všetky cudzie materiály.
- Ak je rezný nôž namontovaný, nasadte naň chránič noža.
- Vylejte palivo z nádrže do kanistra alebo do inej nádoby, určenej na uchovávanie benzínu. Nezabudnite na správnu výmenu a dotiahnutie palivovej krytky.
- Nechajte motor bežať, kým sa sám nezastaví. Tým sa z nádrže odčerpá všetko palivo a odstráni sa zvyšky, ktoré by sa mohli usadiť v palivovom systéme.
- Odložte ho na suché a dobre vetrané miesto, na ktoré nemajú prístup deti. Náradie neuskladňujte v blízkosti žieravých látok, ako napríklad v blízkosti záhradníckych chemických prípravkov alebo solí na zimný posyp komunikácií. Neskladujte v exteriéri.
- Pri preprave zaistite produkt pred pohybom alebo pádom, aby nedošlo k poraneniu osôb alebo poškodeniu produktu.
- Zariadenie nikdy neprenášajte ani neprevádzajte, kým je spustené.
- Oboznámte sa so všetkými vládnyimi a miestnymi predpismi týkajúcimi sa bezpečného skladovania a manipulácie s palivom. Zvyšné palivo môžete použiť pre iné náradie poháňané dvojtaktným motorom.

### KRÁTKODOBO

- Zastavte motor a nechajte ho vychladnúť, predtým ako ho uskladníte.
- Odstráňte zo zariadenia všetky cudzie materiály.
- Odložte ho na suché a dobre vetrané miesto, na ktoré nemajú prístup deti.
- Náradie neuskladňujte v blízkosti žieravých látok, ako napríklad v blízkosti záhradníckych chemických prípravkov alebo solí na zimný posyp komunikácií.
- Neskladujte v exteriéri.

### ÚDRŽBA

#### VAROVANIE

Používajte len originálne náhradné diely, príslušenstvo a nástavce výrobcu. V opačnom prípade môže dôjsť k možnému poraneniu, nedostatočnému výkonu a strate platnosti záruky.

#### VAROVANIE

Rezný nástavec sa nesmie otáčať v režime naprázdno. Ak nie je splnená táto požiadavka, je potrebné nastaviť spojku alebo zariadenie vyžaduje urgentnú údržbu kvalifikovaným technikom.

#### VAROVANIE

Presakujúce palivové viečko predstavuje riziko požiaru a musí sa okamžite vymeniť.

EN
FR
DE
ES
IT
NL
PT
DA
SV
FI
NO
RU
PL
CS
HU
RO
LT
LV
ET
HR
SL
<b>SK</b>
BG
UK
TR

<b>⚠ VAROVANIE</b>	
Všimnite si, že matica noža je nylonová a smie sa použiť len na jednorazovú montáž. Nylonovú maticu opakovane nepoužívajte. Pri inštalácii/opätovnej inštalácii použite novú nylonovú maticu. Nedodržanie všetkých pokynov môže spôsobiť vážne zranenia.	

<b>⚠ VAROVANIE</b>	
Pri montáži noža skontrolujte, že uťahovací moment matice je $\geq 25\text{Nm}$ . Nedodržanie všetkých pokynov môže spôsobiť vážne zranenia. (pozrite si stranu 202, krok 4)	

- Pred vykonaním akejkoľvek údržby vždy zastavte motor a nechajte ho vychladnúť.
- Môžete vykonávať úpravy a opravy popísané v tejto príručke. Pri ostatných opravách ponechajte servis zariadenia autorizovanému servisnému technikovi.
- Nesprávna údržba môže mať za následok nadmerné usadzovanie uhlíka, čo spôsobí stratu výkonnosti a uvoľňovanie čiernych olejových zvyškov kvapkajúcich z tlmíča.
- Pri výmene drôtu používajte len nylonové drôtené vlákno s priemerom predpísaným v tabuľke špecifikácií tejto príručky.
- Po predĺžení nového rezného drôtu vždy vráťte produkt pred spustením do štandardnej prevádzkovej polohy. Po každom použití vyčistíte produkt mäkkou suchou tkaninou.
- Dbajte na to, aby boli všetky kryty, popruhy, odchyľovače a rukoväte správne a bezpečne nasadené, aby nedošlo k osobnému poraneniu.

## URNIK VZDRŽEVANJA

Skontrolujte úplné utiahnutie upínacieho prvku	Pred každým použitím
Skontrolujte: Rezný nástavec sa nesmie otáčať v režime naprázdno. <sup>2</sup>	Pred každým použitím
Kontrola palivovej hadice	Pred každým použitím
Kontrola všetkých hadicových prípojk	Pred každým použitím
Čistenie palivovej nádrže a filtra <sup>1</sup>	Každé 3 mesiace alebo po 50 hodinách prevádzky
Zamenajte filter za gorivo <sup>1</sup>	Raz do roka alebo po 300 hodinách prevádzky
Skontrolujte unikanie z uzáveru palivovej nádrže alebo z otvoru na odvádzanie výparov z palivovej nádrže (ak je ním zariadenie vybavené).	Pred každým použitím
Vyčistíte vzduchový filter.	Každých 25 hodín

Výmena vzduchového filtra	Raz do roka alebo po 300 hodinách prevádzky
Vyčistíte a nastavíte zapalovaciu sviečku.	Každé 6 mesiace alebo po 100 hodinách prevádzky
Zamenajte filter za gorivo	Raz do roka alebo po 300 hodinách prevádzky
Vyčistíte lapač iskier	Každých 25 hodín
Vymeňte za nový lapač iskier.	Raz do roka alebo po 300 hodinách prevádzky
Čistenie vyfukovacieho otvoru a tlmíča	Každých 25 hodín

1 Tieto body by mali byť vykonávané iba autorizovaným servisným strediskom.

2 Ak táto požiadavka nebude splnená, o opravu alebo nastavenie požiadajte autorizované servisné stredisko.

## ZVÝŠKOVÉ RIZIKÁ:

Aj keď sa nástroj používa podľa predpisu, nie je možné eliminovať určité zvyškové rizikové faktory. Pri použití vznikajú nasledujúce riziká a obsluhujúca osoba musí venovať zvláštnu pozornosť, aby nedošlo k nasledovnému:

- Kontakt s rezacími zariadeniami.
  - Uistite sa, že v čase, keď sa výrobok nepoužíva, má nasadený chránič nožov. Ruky a nohy nikdy nedávajte do blízkosti ostří.
- Zranenie spôsobené vibráciami.
  - Vždy používajte vhodný nástroj pre danú úlohu, používajte určené rukoväte a obmedzte pracovný čas a mieru rizika.
- Poškodenie sluchu v dôsledku vystaveniu huku.
  - Používajte ochranu sluchu a obmedzte expozíciu.
- Poranenie zraku následkom odletujúcej sutiny.
  - Neustále používajte ochranu zraku.
- Nebezpečenstvo padajúcich predmetov
  - Noste ochrannú prilbu, v prípade akéhokoľvek rizika padajúcich predmetov.

Pri použití krovinozezu sa môže vyskytnúť spätný ráz. Zabezpečte riadne ovládanie oboma rukami na určených rukovätiach. Prečítajte si a dodržiavajte pokyny v tejto príručke na pomoc zníženia rizika vzniku spätného rázu.

## OBMEDZENIE RIZIKA

Boli hlásené prípady, kedy vibrácie z ručných nástrojov u niektorých osôb prispeli k stavu nazývanému Raynaudov syndróm. K symptómom patria: trpnutie, znecitlivenie a blednutie prstov, zvyčajne zjavné po vystavení zime. Je známe, že k vývoju týchto symptómov prispievajú: dedičné faktory, vystavovanie zime a vlhkosti, diéta, fajčenie a pracovné návyky. Opatrenia, ktoré môže vykonať obsluhujúca osoba na možné zníženie účinkov vibrácií:

- V studenom počasí udržiavajte svoje telo v teple. Pri práci s produktom noste rukavice, aby ste mali ruky a zápästia v teple. Boli hlásené prípady, kedy hlavným faktorom prispievajúcim k Raynaudovmu syndrómu bolo studené počasie.
- Po každom určitom časovom úseku prevádzky cvičte,

aby ste zlepšili krvný obeh.

- Pred spustením skontrolujte, či je nástroj správne umiestnený v určenej pracovnej polohe.
- Obmedzte počet vystavení za deň. Počas práce si doprajte časté prestávky.

Ak zistíte ktorýkoľvek zo symptómov tohto stavu, okamžite prerušte používanie zariadenia, navštívte svojho lekára a povedzte mu o symptómoch.

#### VAROVANIE

Pri dlhodobom alebo zvýšenom používaní môže dôjsť k zraneniam. Pri používaní nástroja príliš dlhé obdobia si vždy doprajte pravidelné prestávky.

#### OBOZNÁMTE SA S VAŠIM PRODUKTOM

1. Rukoväť štartéra
2. Palivové viečko
3. RBC31SBO: Bicyklová rukoväť
4. RBC31SBO: Hriadeľ pohonu
5. Chránič čepele
6. Odchyľovač trávy
7. Nylonová matica
8. Podložka noža
9. Misková podložka
10. Ochranný kryt ostria
11. Ostrie Tri-Arc™
12. Horný kryt strunovej hlavy
13. Cievka
14. Pružinové tlačidlo
15. Допен корпус на кордовата глава
16. Rezací drôt
17. RBC31SBO: Zariadenie škrtiacej klapky
18. RBC31SBO: Plynová páčka
19. Spínač zapaľovania
20. RBC31SBO: Zámok škrtiacej klapky
21. Vešniak popruhu
22. RBC31SESO: Dolný hriadeľ
23. RBC31SESO: Tlačidlo
24. RBC31SESO: Horný hriadeľ
25. RBC31SESO: Predná rukoväť
26. RBC31SESO: Plynová páčka
27. RBC31SESO: Zámok škrtiacej klapky

#### SYMBOLY NA PRODUKTE



Výstražná značka



Pred použitím produktu si s porozumením prečítajte všetky pokyny a dodržiavajte výstražné a bezpečnostné upozornenia.



Používajte chrániče zraku, sluchu a hlavy.



Pri používaní tohto produktu používajte nešmykľavú obuv.



Používajte protišmykové odolné rukavice.



Pozor na vymrštené alebo odletujúce objekty. Všetky okolostojace osoby (najmä deti a domáce zvieratá) musia stáť minimálne 15 m od miesta práce



Tento produkt nie je určené na použitie s typmi ostria s ozubením.



Na zníženie rizika poranenia alebo poškodenia sa vyhýbajte kontaktu s horúcim povrchom.



Ruky nedávajte do blízkosti ostří.



Garantovaná úroveň hluku



Poloha zapnuté



Nastavte páčku sýtiča do polohy „FULL“.



Nastavte páčku sýtiča do polohy „HALF“.



Doba čakania 10 sekúnd



Napíňajte  
Stlačte primárnu banku 10-krát.



Zatiahnite za štartovacie lanko.



Spustíte stlačením regulačného spínača.



Uzamknite škrtiacu klapku do požadovanej polohy zatlačením tlačidla zariadenia škrtiacej klapky.



Používajte len bezolovnatý benzín pre motorové vozidlá s oktánovým číslom 91 [(R + M)/2] a viac.



Pre vzduchom chladené motory použite olej pre 2-taktné motory.



Palivo miešajte dôkladne a rovnako aj pred každým jeho doplnením.



Ručné spustenie studeného motora



Ručné spustenie teplého motora



Spustenie studeného motora pomocou elektrického štartéra



Spustenie teplého motora pomocou elektrického štartéra



Symbol priameho hriadeľa: Pri inštalácii cievky lanka na rezné zariadenia, musí operátor vidieť tento symbol.



Tri-Arc™ trojzubý nôž je vyhradený pre tento výrobok a hodí sa na rezanie dužinatej buriny a popínavých rastlín.



Pozor na odmrštenie noža



Smer otáčania a maximálna rýchlosť hriadeľa pre rezný nástavec.



Ťahať  
Výložka rýchleho uvoľnenia



Vyhovuje všetkým regulačným normám v krajine EÚ, v ktorej bol výrobok zakúpený.



Euroázijská značka zhody



Ukrajinské označenie zhody

Nasledujúce značky a významy vysvetľujú úroveň rizika spojeným s výrobkom.

#### **NEBEZPEČENSTVO**

Označuje bezprostredne nebezpečnú situáciu, ktorá môže vyústiť v smrť, alebo vážne zranenie.

#### **VAROVANIE**

Označuje potenciálne nebezpečnú situáciu, ktorá môže vyústiť v smrť, alebo vážne zranenie.

#### **VÝSTRAHA**

Označuje potenciálne nebezpečnú situáciu, ktorá môže vyústiť v ľahké, alebo stredne ťažké zranenie.

#### **VÝSTRAHA**

Bez symbolu bezpečnostného alarmu

Označuje situáciu, ktorá môže zapríčiniť poškodenie majetku.

#### **SYMBOLY V TOMTO NÁVODE**



Poznámka



Varovanie



Безопасността, производителността и надеждността са аспектите, на които е отделен най-голям приоритет при проектирането на вашия хросторез/тример за трева.

### ПРЕДНАЗНАЧЕНИЕ

Хросторезът/тримерът за трева е предназначен да се използва само от възрастни, които са прочели и разбрали указанията и предупрежденията в това ръководство и могат да се считат за отговорни за своите действия. Продуктът е предназначен за използване само на открити и добре проветрени пространства. От съображения за сигурност, продуктът трябва да бъде управляван адекватно чрез работа с двете ръце.

Продуктът с прикачена тримерна глава за трева е предназначен за рязане на дълги стръкове трева, бурени и подобна растителност на нивото на земята или малко над него. Когато е оборудван с режещ диск Tri-Arc™ (и подходящия предпазител), той също може да реже храсти. Не е предвидено в продукта да се монтира трион.

Плоскостта на косене трябва да е приблизително успоредна на земната повърхност. Продуктът не трябва да се използва за рязане или подрязване на жив плет, храсталаци или друга растителност, при която плоскостта на рязане не е успоредна на земната повърхност.

Не го използвайте за никакви други цели.

### ⚠ ПРЕДУПРЕЖДЕНИЕ

За да се намали опасността от наранявания, потребителят трябва да прочете и да разбере ръководството за оператора.

### ⚠ ПРЕДУПРЕЖДЕНИЕ

Не започвайте да използвате този продукт, преди да сте прочели старателно и да се разбрали напълно всички инструкции и правила за безопасност, които са изложени в това ръководство. Несъобразяването с това предупреждение може да предизвика трудови злополуки, включително токов удар, пожар и/или сериозни физически наранявания. Запазете това ръководство и периодично го преглеждайте, за да се гарантира безопасното ви боравене с този продукт, както и за да инструктирате други лица, които ще го използват.

### ⚠ ПРЕДУПРЕЖДЕНИЕ

Продуктът не е предназначен за използване от деца или от лица с намалени физически, сетивни или умствени способности. Децата трябва да бъдат внимателно надзирани, за да се гарантира, че не си играят с продукта.

### ОБЩИ ПРЕДУПРЕЖДЕНИЯ ЗА БЕЗОПАСНОСТ

■ За да бъде работата ви безопасна, трябва да прочетете и да разберете всички указания, преди да използвате продукта. Спазвайте всички инструкции за безопасност. При неспазване на тези инструкции

може да се причинят тежки телесни повреди.

- В някои региони действат наредби, които ограничават употребата на продукта. За съвети се обръщайте към местните власти.
- Не позволявайте на деца или необучени лица да използват този продукт.
- Никога не стартирайте двигателя в затворено или слабо проветриво пространство; вдишването на изгорелите газове може да е смъртоносно.
- Винаги почиствайте работното пространство, преди да използвате уреда. Премахвайте всички предмети, като камъни, счупени стъкла, пирони, жица или връв, които могат да отхвъркнат или да се заплетат кордовата глава или в острието.
- Носете пълна защитна екипировка за очите и слуха ви, когато боравите с продукта. Ако работите в зона, където съществува риск от падащи предмети, трябва да носите каска.
- Защитните средства за слуха могат да попречат на оператора да чува предупредителните звуци. Бъдете особено внимателни за потенциални опасности в работната зона и около нея.
- Носете здрави дълги панталони, предпазни неплъзгащи се обувки и ръкавици. Не носете широки дрехи, къси панталони или бижута и не използвайте машината, ако не сте с обувки.
- Дългата коса трябва да бъде прибрана на ниво над раменете, за да се избегне заплитането ѝ в движещите се части.
- Дръжте всички странични наблюдатели, деца и животни на поне 15м. Спрете продукта, ако някой навлезе в работната зона.
- Не използвайте този продукт, ако сте уморени, болни или под влиянието на алкохол, наркотици или лекарства.
- Не използвайте тази машина при слабо осветление. Операторът трябва да има чиста и безпрепятствена видимост, за да може да идентифицира потенциални опасности.
- Винаги стъпвайте стабилно по време на работа и пазете равновесие. Не се протягайте, за да работите на трудно достижими места. Протягането може да доведе до загуба на равновесие или контакт с горещи повърхности.
- Дръжте движещите се части на разстояние от тялото си.
- Не докосвайте областта около заглушителя или цилиндъра на продукта; тези части се нагорещават по време на работа.
- Винаги спирайте двигателя и го изчакайте да изстине, преди да правите каквито и да е настройки.
- Не пушете, докато смесвате гориво или пълните резервоара.
- Смесвайте и съхранявайте горивото в съд, одобрен за гориво.
- Смесвайте и сипвайте горивото на открито, далеч от искри и пламък. Съберете разсипаното гориво. Оттеглете се на поне 9 м от мястото на зареждане с гориво, преди да стартирате двигателя.

EN
FR
DE
ES
IT
NL
PT
DA
SV
FI
NO
RU
PL
CS
HU
RO
LV
LT
ET
HR
SL
SK
<b>BG</b>
UK
TR

- Спрете двигателя и оставете уреда да се охлади, преди да го презаредите с гориво.
- Ако ще транспортирате уреда с превозно средство, изчакайте двигателят му да се охлади, изпразнете резервоара и закрепете стабилно уреда.
- Винаги спирайте двигателя и се уверявайте, че всички движещи се части са спрели изцяло, преди да:
  - обслужване
  - оставяне на продукта без надзор
  - почистване на вашия продукт
  - смяна на принадлежности
  - отстраняване на запущаня
  - проверка за повреда след удряне на обект
  - Проверка за повреда, ако продуктът започне да вибрира необичайно
  - извършване на профилактика
  - сваляне на острието
  - монтиране на острието

#### **⚠ ПРЕДУПРЕЖДЕНИЕ**

Никога не използвайте режещи механизми или приставки, които не са посочени от Ryobi в това ръководство. Това включва използването на многокомпонентни метални шарнирни вериги и вършачки. Известно е, че тези компоненти могат да се повредят по време на употреба и създават сериозен риск от нараняване на оператора или страничните наблюдатели.

#### **⚠ ПРЕДУПРЕЖДЕНИЕ**

Проверка след изпускане или други удари  
Внимателно проверете продукта и установете дали е засегнат, или има повреда по него. Всяка повредена част трябва да бъде поправена или заменена от упълномощен сервизен център.

#### **ПРЕДУПРЕЖДЕНИЯ ЗА БЕЗОПАСНА РАБОТА С ТРИМЕРА ЗА ТРЕВА**

- Сменете главата в влакно, ако е пукната, нацърбена или повредена по друг начин. Уверете се, че кордовата глава е правилно монтирана и здраво закрепена. Несъобразяването с това предупреждение може да доведе до тежки контузии.
- Избягвайте използването върху мокро стъкло.
- Не ходете назад, докато използвате продукта.
- Вървете, никога не тичайте, когато косите.
- Малкият диск, монтиран към предпазителя за режещата приставка, е проектиран за рязане на новата разширена корда до правилната дължина за безопасна и оптимална производителност. Той е много остър; не го докосвайте, по-специално, когато почиствате продукта.
- Винаги проверявайте дали по вентилационните отвори има отпадък.
- Преди употреба и след всяко въздействие

проверете дали няма повредени части. Инспектирайте режещите механизми за следи от напукване или за други повреди. Поправянето или заменянето на дефектен превключвател или повредени части трябва да се извършват само от оторизирани сервизи.

- Уверете се, че приставката за глава е правилно монтирана и здраво закрепена.
- Уверете се, че всички предпазители, отклонители, ръкохватки, болтове и скрепителни елементи са правилно и стабилно монтирани.
- По никакъв начин не модифицирайте изделието. Това може да увеличи риска от нараняване на вас или на други хора.
- Сменяйте кордата в тримерната глава само с оригинална от производителя. Не използвайте никакво друго режещо приспособление.
- Никога не работете с продукта, ако предпазителят за режещата приставка не е на място и не е в добро състояние.
- Поддържайте здрав хват и на двете ръкохватки, докато работите. Не вдигайте тримерната глава над нивото на кръста. Никога не режете в позиция, при която тримерната глава е на повече от 76 см над равнището на земята.

#### **ПРЕДУПРЕЖДЕНИЯ ЗА БЕЗОПАСНОСТ ЗА ХРАСТОРЕЗА**

- В допълнение към горните правила, тези допълнителни указания са подходящи, когато използвате продукта в режим на резачка за храсти.
- Използвайте ръкавици, предназначени за тежък режим на работа, при монтиране или премахване на остриетата, които имат остри ръбове.
- Не докосвайте и не се опитвайте да спирате острието, когато се върти.
- Въртящо се острие може да причини сериозни наранявания. Поддържайте правилно управление на продукта с двете ръце, докато дискът напълно спре да се върти.
- Заменяйте повредените остриета. Всеки път преди да използвате уреда, проверявайте дали острието е правилно и стабилно монтирано.
- За подмяна използвайте само оригинално Tri-Arc™ острие от производителя. Не използвайте никакво друго режещо приспособление.
- Никога не режете материал с диаметър над 13 mm.
- Вашата резачка за храсти е оборудвана със сбруя. Внимателно регулирайте презрамката, така че да ви е удобно, докато поддържате тежестта на продукта от дясната си страна.
- Запознайте се с механизма за бързо освобождаване и упражнявайте използването му, преди да започнете да работите с машината. Правилното използване на този механизъм може да предотврати сериозно нараняване при възникване на извънредна ситуация. Никога не носете допълнително облекло над ремъка за закачане, защото така се блокира достъпът до механизма за бързо освобождаване.



- Съхранявайте и транспортирайте уреда само с монтиран предпазител на острието. Винаги махайте предпазителя, преди да използвате уреда. Предпазителът може да изхвърчи, ако острието започне да се върти, докато е монтиран.
- Проявявайте изключително внимание при боравенето с този продукт, когато е с прикачено острие. Ако острието влезе в съприкосновение с нещо, което не може да пререже, може да възникне реакцията обратен тласък. При такова съприкосновение острието може да спре рязко и внезапно да „тласне“ уреда в посока, обратна на удара на предмет. Тази реакция може да е достатъчно мощна, за да причини загубата на контрол над инструмента. Обратен тласък може да възникне изненадващо, ако острието се закачи, затъкне или блокира. Вероятността за обратен тласък се увеличава в области, където материалът, който трябва да бъде отрязан, се вижда трудно.
- За лесно и безопасно рязане пристъпвайте към бурените, които ще режете, от дясно на ляво. Това може да намали силата на обратния тласък при неочакваната среща с дървен материал. За управление на този продукт винаги трябва да се използват двете ръце.

## СГЛОБЯВАНЕ

### РАЗОПАКОВАНЕ

Вж. страница 181-182.

Този продукт изисква сглобяване.

- Внимателно извадете инструментата и принадлежностите от кутията. Уверете се, че са налични всички елементи, включени в описа на пакета.
- Огледайте внимателно инструментата, за да се уверите, че не са възникнали повреди или счупвания по време на транспорта.

### ▲ ПРЕДУПРЕЖДЕНИЕ

Ако има липсващи или повредени части, не използвайте този продукт, преди те да бъдат заменени. Несъобразяването с това предупреждение може да доведе до сериозни физически наранявания.

### РЕГУЛИРАНЕ НА ХАЛКАТА ЗА ПРЕЗРАМКАТА

Вж. страница 185/189.

Регулирайте държача на ремъка до удобно и балансирано положение, при което прикаченото острие режеща приставка увисва между 100 mm и 300 mm над нивото на земята.

### ИЗПОЛЗВАНЕ НА ПРЕЗРАМКАТА

Вж. страница 185/189.

**ЗАБЕЛЕЖКА:** Винаги използвайте сбруята с продукта.

**ЗАБЕЛЕЖКА:** За бързо освобождаване на продукта от сбруята, рязко дръпнете ухото за бързо освобождаване.

### ИЗПОЛЗВАНЕ НА ГЛАВА REELEASE™ ЗА ТРИМЕР ЗА ТРЕВА И ОСТРИЕ TRI-ARC™ BLADE

- Когато използвате глава ReelEasy™ за тример за трева, отклонителят на трева трябва да е прикрепен към предпазителя на острието. (Вж. страница 203).
- Когато използвате острието Tri-Arc™, отклонителят на трева трябва да бъде свален от предпазителя на острието. (Вж. страница 202).

### ▲ ПРЕДУПРЕЖДЕНИЕ

Преди да стартирате двигателя, винаги изваждайте щифта за заключване на трансмисионната ос (вж. стр. 185, стъпка 4)

## РАБОТА

### ГОРИВО И ЗАРЕЖДАНЕ НА РЕЗЕРВОАРА

Вж. страница 184.

- Винаги внимавайте при работа с гориво; то е силно запалимо.
- Машината ви работи с двутактов двигател, при който трябва да се смесят бензин и масло за двутактов двигател. Смесете безоловен бензин с масло за двутактов двигател в чист съд, предвиден за съхранение на бензин.
- Двигателят работи с безоловен бензин за автомобили с октаново число 91 ((R + M)/2) или по-високо.
- Не използвайте смеси бензин/масло, приготвени в бензиностанциите.
- Използвайте единствено синтетично масло за двутактови двигатели. Не използвайте автомобилно масло или масло за извънбордови двутактови двигатели.
- Смесете 2% синтетично масло за двутактови двигатели с бензина. Съотношението е 50 : 1.
- Всеки път преди зареждане смесете хубаво горивото.
- Смесвайте горивото в малки количества. Не пригответе смес за повече от месец напред. Препоръчваме ви да използвате синтетично масло за двутактови двигатели, което съдържа стабилизатор за горивото.

### ЗАРЕЖДАНЕ НА РЕЗЕРВОАРА

- Почистете резервоара около капачката, за да не се замърси горивото.
- Бавно развийте капачката, за да се изпусне налягането и горивото да не се разсипе около нея.
- Внимателно изсипете горивната смес в резервоара, като внимавате да не я разсипете. Преди отново да завиете капачката, почистете
- уплътнението и проверете дали е в добро състояние.
- Поставете веднага капачката и хубаво я затегнете. Съберете разсипаното гориво. Преместете се на разстояние 9 m (30 ft) от мястото на зареждане, преди да стартирате двигателя.



## СТАРТИРАНЕ НА ДВИГАТЕЛЯ С ПОМОЩТА НА ЕЛЕКТРИЧЕСКИ СТАРТЕР (ПО ЖЕЛАНИЕ):

Вж. стр. 196-201.

### ⚠ ПРЕДУПРЕЖДЕНИЕ

Използвайте само електрическия стартер Ryobi OES18. Използването на всеки друг стартер може да повреди двигателя и да причини сериозни наранявания.

### ⚠ ПРЕДУПРЕЖДЕНИЕ

Преди да използвате електрически стартер, за да стартирате продукта, моля, прочетете и разберете изцяло ръководството за експлоатация на електрическия стартер OES18, за да избегнете неправилна експлоатация и тежки телесни повреди.

- Задръжте изолирания прът с лявата си ръка и използвайте дясната, за да поставите крайника на стартера в отвора на двигателя. В противен случай двигателят няма да заработи.
- Уверете се, че пусковата глава е правилно включена.

**ЗАБЕЛЕЖКА:** Електрическият стартер е снабден със защитна блокировка. Не натискайте и не задържайте бутона за превключване при поставянето на вала на електрическия стартер в отвора за вала на двигателя. Стартерът няма да се включи, ако електрическият стартер не е правилно включен.

## РАБОТА С ТРИМЕРА ЗА ТРЕВА

Вж. страница 189.

**RBC31SESO:** Дръжте задната ръкохватка на продукта с дясната си ръка и предната ръкохватка с лявата си ръка.

**RBC31SBO:** Дръжте продукта с дясната ръка за ръкохватката със спусък и с лявата ръка за лявата ръкохватка.

- Поддържайте добър хват с двете ръце по време на работа.
- Продуктът трябва да се държи на удобна позиция с дръжката със спусък, намираща се на височината на бедрото.
- Винаги използвайте продукта на пълна скорост. Продължителното косене със скорост, по-ниска от максималната, ще доведе до прокапване на масло през заглушителя.
- Косете високата трева от горе надолу, за да предотвратите обвиването на трева около корпуса на вала и главата с влакното, което може да причини повреди от прегряване.
- Ако около острието се заплетат отпадъци или трева, спрете двигателя. Носете здрави и плътни ръкавици, за да предотвратите нараняване от остриетата и внимателно почистете отпадъците.
- Не натискайте към тревата, която ще бъде косена. Местете от едната към другата страна. Премествайте малко напред в края на всяко косене.

- Дръжте продукта наклонен към областта на косене.
- Не използвайте в опасни среди.
- Използвайте върха на влакното за рязане; не насилвайте главата с влакното в неподрязана трева.
- Телените и дървените огради допълнително изхабяват на влакното и дори могат да го скъсат. Стени от камък и тухли, бордюри и дървесина могат бързо да износят влакното.
- Избягвайте дървета и храсти. Кора на дърво, дървени корниз, облицовки и огради могат лесно да бъдат повредени от влакното.

## РАБОТА С ХРАСТОРЕЗА

Вж. страница 192.

За да намалите риска от откат: Не натискайте към материала, който трябва да бъде отрязан. Местете отдясно наляво в постоянни откоси. Премествайте малко напред в началото на всеки нов откос.

**RBC31SESO:** Дръжте задната ръкохватка на продукта с дясната си ръка и предната ръкохватка с лявата си ръка.

**RBC31SBO:** Дръжте продукта с дясната ръка за ръкохватката със спусък и с лявата ръка за лявата ръкохватка.

- Продуктът трябва да се държи на удобна позиция с дръжката със спусък, намираща се на височината на бедрото.
- Поддържайте добър хват и стабилна опора - върху двата си крака. Заемайте стабилна позиция, така че да не загубите равновесие при откат на рещещото устройство.
- Нагласете халката за презрамката в удобна позиция.
- Проявявайте изключително внимание при боравенето с този продукт, когато е с прикачено острие. Ако острието влезе в съприкосновение с нещо, което не може да пререже, може да възникне реакцията обратен тласък. При такова съприкосновение острието може да спре рязко и внезапно да „тласне“ уреда в посока, обратна на ударения предмет. Тази реакция може да е достатъчно мощна, за да причини загубата на контрол над инструмента. Обратен тласък може да възникне изненадващо, ако острието се закачи, затъкне или блокира. Вероятността за обратен тласък се увеличава в области, където материалът, който трябва да бъде отрязан, се вижда трудно. За лесно и безопасно рязане пристъпвайте към бурените, които ще режете, от дясно на ляво. **Това може да намали силата на обратния тласък при неочакваната среща с дървен материал.**

## ТРАНСПОРТИРАНЕ И СЪХРАНЕНИЕ

- Спрете продукта и го изчакайте да се охлади, преди да го транспортирате или приберете за съхранение.
- Почистете продукта от всички чужди частици.
- Ако е поставено острие, използвайте предпазителя му.

- Изсипете останалото в резервоара гориво в съд, одобрен за съхранение на бензин. Не забравяйте да поставите обратно и да затегнете капачката за горивото.
- Пуснете двигателя да работи, докато спре. Така ще се премахне цялото гориво, което може да се втвърди и да запуши горивната система.
- Съхранявайте я на хладно, сухо и добре проветрявано място, което е недостъпно за деца. Не го оставяйте в близост до корозивни материали като градински химикали или соли за размразяване. Не съхранявайте на открито.
- Когато транспортирате продукта, го обезопасете така, че да не може да се движи или да падне, защото това може да доведе до евентуални наранявания на хора или повреди по продукта.
- Никога не носете или транспортирайте продукта, докато работи.
- Проверете какви са националните и местните разпоредби за съхранение и работа с горива. Можете да използвате останалото гориво за друга машина с двутактов двигател.

#### КРАТКОСРОЧНО

- Спрете двигателя и го оставете да изстине, преди да приберете продукта за съхранение.
- Почистете продукта от всички чужди частици.
- Съхранявайте я на хладно, сухо и добре проветрявано място, което е недостъпно за деца.
- Не го оставяйте в близост до корозивни материали като градински химикали или соли за размразяване.
- Не съхранявайте на открито.

#### ПОДДРЪЖКА

##### ⚠ ПРЕДУПРЕЖДЕНИЕ

Използвайте само оригинални резервни части, аксесоари и приставки от производителя. В противен случай може да се влоши работата на инструмента или да получите тежки контузии, а гаранцията ви ще стане невалидна.

##### ⚠ ПРЕДУПРЕЖДЕНИЕ

Режещата приставка не трябва да се върти на празен ход. Ако това изискване не е спазено, съединителят трябва да се регулира или машината трябва да се подложи на спешна поддръжка от квалифициран техник.

##### ⚠ ПРЕДУПРЕЖДЕНИЕ

Пропускаща капачка за гориво увеличава опасността от пожар и трябва незабавно да се замени.

##### ⚠ ПРЕДУПРЕЖДЕНИЕ

Имайте предвид, че гайката на острието е пластмасова, която се използва само за еднократно монтиране. Не използвайте отново пластмасовата гайка. При монтаж/демонтаж използвайте нова пластмасова гайка. При неспазване на тези инструкции може да се причинят тежки телесни повреди.

##### ⚠ ПРЕДУПРЕЖДЕНИЕ

Уверете се, че затягането на гайката е  $\geq 25$  Nm, когато монтирате острието. При неспазване на тези инструкции може да се причинят тежки телесни повреди. (вж. стр. 202, стъпка 4)

- Винаги спирайте двигателя и го изчакайте да се охлади, преди да извършвате дейности по поддръжка.
- Можете да правите настройки и поправки, описани в това ръководство на потребителя. За други ремонтни дейности, предоставете уреда на упълномощен сервизен представител.
- Последните от неправилна поддръжка могат да включват прекомерно отлагане на сажди, което води до загуба на производителност и изпускане на черни мазни остатъци, които капят от шумозаглушителя.
- Когато трябва да смените кордата, използвайте само корда с найлонови влакна със съответния диаметър, посочен в таблицата със спецификации в настоящото ръководство.
- След удължаване на ново режещо влакно винаги връщайте продукта в нормална за работа позиция, преди да го включите. Всеки път след употреба почиствайте продукта с мека и суха кърпа.
- Уверете се, че всички предпазители, ремъци, отклонители и ръкохватки са правилно и сигурно закрепени, за да избегнете риск от нараняване.

#### ГРАФИК ЗА ПОДДРЪЖКА

Проверете дали фиксаторът е затегнат напълно	Преди всяка употреба
Проверете: Режещата приставка не трябва да се върти на празен ход. <sup>2</sup>	Преди всяка употреба
Проверете маркуча за гориво	Преди всяка употреба
Проверете всички връзки на маркучите	Преди всяка употреба
Почистете резервоара за гориво и филтъра <sup>1</sup>	На всеки 3 месеца или 50 часа експлоатация
Смяна на горивен филтър <sup>1</sup>	Всяка година или след 300 часа експлоатация

EN  
FR  
DE  
ES  
IT  
NL  
PT  
DA  
SV  
FI  
NO  
RU  
PL  
CS  
HU  
RO  
LT  
LV  
ET  
HR  
SL  
SK  
BG  
UK  
TR

Проверете дали има изтичане от капачката за гориво или от изпарителния отвор на горивния резервоар	Преди всяка употреба
Почистете въздушния филтър.	На всеки 25 часа
Сменете въздушния филтър	Всяка година или след 300 часа експлоатация
Почистете или регулирайте запалителната свещ.	На всеки 6 месеца или 100 часа експлоатация
Смяна на горивен филтър	Всяка година или след 300 часа експлоатация
Почистете искрогасителния екран	На всеки 25 часа
Сменете с нов искрогасителен екран.	Всяка година или след 300 часа експлоатация
Почистване на ауслуха и заглушителя	На всеки 25 часа

1 Тези операции трябва да се извършват само от оторизиран сервизен център.

2 Ако не можете да изпълните това изискване, обърнете се към оторизиран сервизен център за ремонт или регулиране.

### НЕПРЕДВИДЕНИ РИСКОВЕ.

Дори когато продуктът се използва по предназначение, е невъзможно напълно да се ограничи влиянието на определени рискови фактори. Рисковете, описани по-долу, може да възникнат по време на употреба и операторът трябва да внимава за избягването на следното:

- Контакт с режещите механизми.
  - Уверете се, че предпазителите на остриетата са поставени, когато продуктът не се използва. Винаги дръжте ръцете и краката си далече от остриетата.
- Нараняване, причинено от вибрация.
  - Винаги използвайте подходящия инструмент за съответната дейност и предназначенията за целта ръкохватки, като ограничавате времето на работа и излагането на рискове.
- Увреждане на слуха в следствие на излагане на шум.
  - Носете антифони и ограничете излагането.
- Наранявания на очите в следствие на летящи отломки.
  - По всяко време носете защитни средства за очите.
- Риск от падащи предмети
  - Носете защита за главата, ако има опасност от падащи предмети.

При използването на хастореза може да възникне откат. Осигурете правилно управление с помощта на двете си ръце върху определените дръжки. Прочетете

и следвайте указанията в това ръководство, за да намалите риска от откат.

### ΜΕΙΩΣΗ ΚΙΝΔΥΝΟΥ

Известно е, че вибрациите, произвеждани от ръчни инструменти може да предизвикат у някои индивиди заболяване, наречено Синдром на Рейнолд (Raynaud's Syndrome). Симптомите може да включват изтръпване, схващане и изледняване на пръстите, обикновено се забелязват при излагане на студ. Смята се, че наследствените фактори, излагането на студ и влага, диетите, пушенето и някои работни навици допринасят за развитието на тези симптоми. Могат да се вземат някои мерки, които могат да се предприемат от оператора, за да се намалят ефектите от вибрациите:

- Поддържайте телесната температура в студено време. Когато работите с продукта, носете ръкавици, за да поддържате ръцете и китките си топли. Според изследванията главният фактор, допринасящ за развитието на Raynaud's Syndrome, е студено време.
- Правете упражнения за активизиране на кръвообращението след всеки работен цикъл.
- Уверете се, че инструментът е правилно разположен в предназначенията работна позиция, преди да стартирате инструмента.
- Ограничете излагането на вибрации на ден. Редовно излизайте в почивка.

При поява на някои от симптомите на това заболяване, незабавно прекратете употребата на инструмента и посетете лекар.

### ⚠ ПРЕДУПРЕЖДЕНИЕ

Продължителното използване на инструмента може да доведе до наранявания или влошаване. При използване на инструмента за продължителни периоди от време правете чести почивки.

### ОПОЗНАЙТЕ ВАШИЯ ПРОДУКТ

1. Ръчка на стартера
2. Капачка за гориво
3. RBC31SBO: Велосипедно кормило
4. RBC31SBO: Задвижващ вал
5. Предпазител на острието
6. Отклонител за трева
7. Пластмасова гайка
8. Шайба на диска
9. Чашковидна шайба
10. Предпазител за остриета
11. Острие Tri-Arc™
12. Горен корпус на кордовата глава
13. Макара
14. Копче за тласкане
15. Долен корпус на кордовата глава
16. Режещо влакно
17. RBC31SBO: Заклучване на дросела
18. RBC31SBO: Лост за скоростта
19. Ключ за запалване
20. RBC31SBO: Заклучване на дросела
21. Халка за презрамката

- 22. RBC31SESO: Долен прът
- 23. RBC31SESO: Врътка
- 24. RBC31SESO: Горен прът
- 25. RBC31SESO: Предна ръкохватка
- 26. RBC31SESO: Лост за скоростта
- 27. RBC31SESO: Заклучване на дросела

### СИМВОЛИ НА ПРОДУКТА



Предупреждение относно безопасността



Прочетете и осмислете всички указания, преди да започнете работа с продукта; спазвайте всички предупреждения и инструкции за безопасност.



Носете защитни средства за очите, слуха и главата.



Носете непързалици се защитни обувки, когато използвате продукта.



Носете здрави ръкавици, пригодени против плъзгане.



Внимавайте за изхвърлени или летящи обекти. Не допускайте странични наблюдатели, особено деца и домашни животни, на по-малко от 15 м от работната зона.



Този продукт не е предназначен за употреба с назъбени остриета, тип трион.



За да намалите опасността от нараняване или повреда, избягвайте контакт с нагорещените повърхности.



Дръжте ръцете си далеч от остриетата.



Гарантирано ниво на шум



Включено положение



Поставете дроселния лост на позиция "FULL" (Пълно).



Поставете дроселния лост на позиция "HALF" (Наполовина).



Време на изчакване 10 секунди



**ПОДГОТОВКА**  
Натиснете помпата за подкачване на горивото 10 пъти.



Дръпнете въжето за стартиране



Стиснете дроселния спусък, за да стартирате/задействате продукта.



Заклучете дросела в позиция, като натиснете бутона за заключването му.



Използвайте безоловен бензин за автомобили, с октаново число 91 ((R+M)/2) или по-високо.



Използвайте масло за 2-тактови двигатели с въздушно охлаждане.



Разбърквайте старателно горивото всеки път преди презареждане.



Стартиране на студен двигател ръчно



Стартиране на топъл двигател ръчно



Стартиране на студен двигател с електрически starter



Стартиране на топъл двигател с електрически starter



Символ за изправен прът: При поставяне на макарата с влакното в режещите механизми този символ трябва да се вижда от оператора.



Острието Tri-Arg™ съответства за този продукт и е подходящо за рязане на месести бурени и асми.



Пазете се от тягата на острието



Максимална скорост и посока на въртене на оста за режещото приспособление.



Дърпане

Щифт за бързо освобождаване

Този машина е в съответствие с нормативната уредба на държавата от ЕС, където е била закупена.



EurAsian знак за съответствие



Украински знак за съответствие

Следните сигнални думи и значенията им са предназначени да обяснят нивата на опасност, свързани с този продукт.

#### **⚠️ ОПАСНОСТ**

Указва неминуемо опасна ситуация, която ако не бъде избегната, ще доведе до сериозни наранявания или смърт.

#### **⚠️ ПРЕДУПРЕЖДЕНИЕ**

Указва потенциално опасна ситуация, която ако

- EN
- FR
- DE
- ES
- IT
- NL
- PT
- DA
- SV
- FI
- NO
- RU
- PL
- CS
- HU
- RO
- LT
- LV
- ET
- HR
- SL
- SK
- BG**
- UK
- TR

не бъде избегната, може да доведе до сериозни наранявания или смърт.

**⚠ ВНИМАНИЕ**

Указва потенциално опасна ситуация, която ако не бъде избегната, може да доведе до дребни или средни наранявания.

**ВНИМАНИЕ**

Без предупредителен символ за безопасност

Указва ситуация, която може да доведе до имуществени щети.

**СИМВОЛИ В НАСТОЯЩОТО РЪКОВОДСТВО**



Забележка



Предупреждение



Головними міркуваннями при розробці цього тримера/кущорізу були безпека, ефективність та надійність.

### ПЕРЕДБАЧУВАНОМУ ВИКОРИСТАННІ

Цей тример/кущоріз призначений для використання тільки дорослими, які повністю прочитали та зрозуміли інструкції та попередження у цієї інструкції і можуть вважатися відповідальними за власні дії. Продукт призначений тільки для використання на відкритому повітрі у добре провітрюваній області. Задля безпеки керування інструментом має здійснюватися обома руками.

Прилад обладнаний робочою головкою (із відповідним захистом) та призначений для зрізання довгої трави, м'якого бур'яну та рослинності близької до ґрунту або в рівень із ним. Якщо на інструменті встановлено ніж Tri-Arc™ (а також відповідний захисний щиток), він може використовуватися для підстригання кущів. Пристрій не обладнаний і не призначений для використання із різальним диском.

Ріжуча площина повинна бути приблизно паралельна поверхні землі. Продукт не повинен бути використаний, щоб підізнати або обрізати живоплоти, чагарники або іншу рослинність, де ріжуча площина не паралельна поверхні землі.

Не використовуйте для будь-яких інших цілей.

#### ⚠ Попередження

Для запобігання ризику травми користувач повинен прочитати та зрозуміти керівництво користувача.

#### ⚠ Попередження

Не використовуйте прилад, доки ви не прочитали повністю і не зрозуміли в повній мірі усі інструкції та правила безпеки, вказані у цьому керівництві Недотримання цих вимог може призвести до аварії за участю електричного струму, пожежі, та / або серйозних травм. Збережіть посібник оператора і переглядайте часто для продовження безпечної експлуатації та інструктаж тих, хто може використовувати цей продукт.

#### ⚠ Попередження

Продукт не призначений для використання дітьми або особами з обмеженими фізичними, розумовими або сенсорними можливостями. Потрібно належним чином стежити за дітьми, щоб вони не грали з машиною.

### ЗАГАЛЬНІ ЗАХОДИ БЕЗПЕКИ

- Для забезпечення безпечної роботи, перед використанням виробу прочитайте та зрозумійте всі інструкції. Дотримуйтеся всіх інструкцій з техніки безпеки. Невиконання цієї вказівки може привести до серйозної травми або пошкодити пристрій.
- У деяких регіонах існують правила, що обмежують використання продукту для деяких операцій. Перевірте з вашим місцевим органом влади для

консультації

- Не дозволяйте дітям або ненавченим людям користуватися пристроєм.
- Ніколи не запускайте двигун усередині закритих, або погано провітрюваних приміщень; вдихання вихлопних газів може вбити.
- Очистіть робочу зону перед кожним використанням. Видаліть всі об'єкти, як наприклад, каміння, шматочки скла, цвяхи, дріт або ліску, що можуть вилетіти назовні або намотатися на робочій головці або ножі.
- Носіть повний захист очей і слуху під час роботи з продуктом. При роботі в місцях, де є ризик падіння предметів, потрібно носити захист для голови.
- Засоби захисту органів слуху можуть зашкодити можливості оператора чути попереджувальні звуки. Приділяйте особливу увагу можливим небезпекам навкруги та всередині робочої зони.
- Одягайте важкі довгі штани, неслизьке захисне взуття та рукавички. Не носіть широкий одяг, короткі штани, коштовності будь-якого виду та не використовуйте прилад босоніж.
- Зафіксуйте довге волосся вище рівня плеча, щоб запобігти заплутуванню в будь-яких рухомих частинах.
- Тримайте всіх перехожих, дітей, і домашніх тварин, щонайменше на 15 м від робочої зони. Якщо будь-хто входить у зону роботи машини, зупиніть її.
- Не використовуйте цю машину, якщо ви втомилися, хворі, або під впливом алкоголю, наркотиків або ліків.
- Не використовуйте при поганому освітленні. Щоб ідентифікувати можливі небезпеки, оператор потребує чіткого необмеженого огляду.
- Зберігайте правильну стійку і баланс весь час. Не тягніться. Перенапруження може призвести до втрати рівноваги або контакту з гарячими поверхнями.
- Тримайте всі частини вашого тіла подалі від рухомої частини.
- Не торкайтеся зони навколо глушника або циліндра інструменту, ці частини стають гарячими під час роботи.
- Завжди вимикайте двигун та давайте йому охолонути перед будь-яким регулюванням.
- Не палити при змішуванні палива або заповненні паливного баку.
- Змішайте і зберігайте паливо у затвердженому контейнері для палива.
- Змішуйте паливо на відкритому повітрі, де немає жодних іскор або полум'я. Протріть будь-який витік палива. Відійдіть на 9 м від сіцця заправки, перед запуском двигуна.
- Перш ніж додавати паливо, зупиніть двигун і дайте виробу охолонути.
- Дозвольте двигуну охолонути; випорожніть паливний бак і нерухомо закріпіть пристрій перед транспортуванням в транспортному засобі.
- Завжди зупиняйте мотор та переконайтеся, що всі

EN  
FR  
DE  
ES  
IT  
NL  
PT  
DA  
SV  
FI  
NO  
RU  
PL  
CS  
HU  
RO  
LV  
LT  
ET  
HR  
SL  
SK  
BG  
UK  
TR

рухомі деталі зупинилися перед:

- обслуговуванням
- залишанням продукту без нагляду
- очищення інструменту
- зміненою приладдя
- видаленням перешкод
- перевіркою на будь-яке пошкодження після удару об'єкта
- перевіркою на будь-яке ушкодження, якщо продукт починає ненормально вібрувати
- виконанням технічного обслуговування
- зняттям ножа
- встановленням ножа

#### **⚠ Попередження**

Ніколи не використовуйте засоби або насадки для різання, які не зазначені виробником Ryobi в цій інструкції. Включаючи використання металевих багатомісних поворотних ланцюгів та шарнірних ножів. Відомо, що ці предмети ламаються під час використання і представляють високий ризик нанесення серйозної травми користувачеві або спостерігачам.

#### **⚠ Попередження**

Огляд після падіння або інших впливів: Ретельно огляньте прилад та виявіть будь-які пошкодження та несправності. Будь-яка пошкоджена деталь, має бути правильно відремонтована або замінена в авторизованому сервісному центрі.

### **ПОПЕРЕДЖЕННЯ З БЕЗПЕКИ ПРИ РОБОТІ ІЗ ГАЗОННИМ ТРИММЕРОМ**

- Замініть головку струни, якщо тріснута, відколота, пошкоджена якимось чином. Переконайтеся, що робоча голівка або ніж правильно встановлено та надійно закріплено. Недотримання цього правила може стати причиною серйозного травмування.
- Уникайте використання на мокрій траві.
- Не задкуйте при використанні продукту.
- Ходіть, ніколи не бігайте.
- Невеличке лезо на захисному щитку призначене для обрізання волосіні до потрібної довжини, що забезпечує надійність та ефективність роботи. Він дуже гострий; не торкайтесь його, особливо, чистячи інструмент.
- Завжди переконайтеся, що вентиляційні отвори знаходяться чистими від сміття.
- Перед використанням і після кожної дії, переконайтеся, що немає пошкоджених частин. Перевірте ріжучі засоби на наявність ознак розтріскування або інших пошкоджень. Несправний вимикач або будь-яка деталь, яка пошкоджена, повинні бути правильно відремонтовані або замінені в авторизованому сервісному центрі.
- Переконайтеся, що кріплення голівки правильно встановлені і надійно закріплені.
- Переконайтеся, що всі захисні щитки, дефлектори, ручки, болти та елементи кріплення правильно та надійно закріплені.
- В жодному разі не видозмінюйте прилад. Це може підвищити ризик травмування оператора або інших осіб.
- Для косильної головки використовуйте лише оригінальну ліску від виробника. Не використовуйте будь-який інше ріжуче приладдя.
- Експлуатувати виріб дозволяється лише за встановленого та справного захисного щитка.
- Під час косіння міцно тримайте пристрій обома руками. Утримуйте робочу голівку рукою нижче рівня талії. Ніколи не косіть, якщо головка з волосінню розташована на висоті 76 см або більше над землею.

### **ПРАВИЛА БЕЗПЕКИ ПРИ ВИКОРИСТАННІ В ЯКОСТІ КУЩОРІЗА**

- На додаток до наведених вище правил, дотримуйтеся додаткових заходів безпеки при використанні виробу в якості кущоріза.
- Надягайте міцні рукавиці, встановлюючи чи знімаючи ніж, оскільки у нього дуже гострі краї.
- Не намагайтеся торкатися ножа або зупиняти його під час обертання.
- Під час руху ніж може нанести серйозні травми. Міцно утримуйте інструмент обома руками до тих пір, поки ніж повністю не зупиниться.
- Замініть ніж, який було пошкоджено. Перед кожним використанням слід упевнитися, що ніж правильно встановлено та надійно закріплено.
- Використовуйте тільки заміні Tri-Arc™ леза від виробника. Не використовуйте будь-який інше ріжуче приладдя.
- Заборонено зрізати матеріал товстіший за 13 мм.
- Триммер обладнаний ременем. Ретельно відрегулюйте ремені для зручності та для підтримки ваги пристрою з вашого правого боку.
- Ідентифікуйте механізм швидкого вивільнення та попрактикуйтеся у його використанні, перш ніж почати використовувати продукт. Його правильне використання може запобігти серйозним травмам в разі виникнення надзвичайної ситуації. Ніколи не носіть додатковий одяг зверху ременів або інакшим чином не обмежуйте доступ до механізму швидкого вивільнення.
- Накрийте лезо протектором леза, перш ніж зберігати пристрій, або під час транспортування. Перед використанням приладу завжди знімайте захисний чохол. Якщо не зняти, запобіжник леза може стати кинутим об'єктом, коли лезо почне повертатися.
- Слід бути дуже обережними, користуючись цим інструментом з ножем. Поштовх леза це реакція, яка може виникати, коли обертаючись леза контактують з чимось, що не можуть зрізати. Такий контакт може миттєво зупинити ніж і несподівано відштовхнути прилад при ударі об об'єкт. Така ситуація може

бути достатньою для того, щоб оператор втратив контроль над приладом. Відбивання ножа може статися раптово, коли ніж натрапляє на перешкоду, застряє або затискається. Вірогідніше всього, це може відбутися в областях, де важко побачити матеріал, який зрізається.

- Для легкого та безпечного косіння, слід зрізати рослини, справа наліво. У випадку несподіваної появи предмета або стовбура, ця практика може мінімізувати реакцію поштовху ножа. При використанні завжди треба тримати інструмент обома руками для контролю.

## МОНТАЖ

### РОЗПАКУВАННЯ

Дивіться сторінку 181-182.

Вимагається самостійна збірка.

- Обережно вийміть продукт і будь-які аксесуари з коробки. Переконайтеся, що всі пункти, перераховані в пакувальному листі включені.
- Огляньте продукт ретельно, щоб переконатися, що немає поломок або пошкодження не сталося під час транспортування.

#### ⚠ Попередження

Якщо оновлення небудзьзамінені або пошкоджені, не використовуйте даний виріб, поки вони здебільшого не будуть замінені. Невиконання цієї вказівки може привести до серйозної травми або пошкодити пристрій.

### РЕГУЛЮВАННЯ РЕМЕНЯ

Дивіться сторінку 185/189.

Налаштуйте ремінь для підвішування для зручного і збалансованого положення, щоб лезо або різальне приладдя призупинялося на відстані 100 мм до 300 мм над поверхнею землі.

### ВИКОРИСТАННЯ СТРАХУВАЛЬНОГО РЕМЕНЮ

Дивіться сторінку 185/189.

**ПРИМІТКА:** При роботі з тримером обов'язково користуйтеся ременем.

**ПРИМІТКА:** Щоб швидко від'єднати інструмент від ременя, різко потягніть за лямку швидкого роз'єднання.

### ВИКОРИСТОВУЙТЕ ГОЛОВКУ ТРИММЕРА REELEASY™ ТА ЛЕЗО TRI-ARC™

- При використанні головки триммеру ReelEasy™ до захисного кожуха повинен бути прикріплений відбивач трави. (Дивіться сторінку 203).
- При використанні леза Tri-Arc™, відбивач трави повинен бути знятий з захисного кожуха. (Дивіться сторінку 202).

#### ⚠ Попередження

Завжди виймайте штифт для фіксації вала редуктора перед запуском двигуна (див. стор. 185, крок 4)

## ФУНКЦІОНУВАННЯ

### ПАЛИВО ТА ЗАПРАВКА

Дивіться сторінку 184.

- Поводьтеся з паливом з обережністю; це легко запалюється.
- Цей продукт розрахований на живлення від 2 тактного двигуна і вимагає попереднього змішування бензину і 2-тактного мастила. Змішайте неетилований бензин і 2-тактне моторне мастило в чистій ємності, затвердженій для бензину.
- Використовуйте неетилований бензин, призначений для використання у автомобілях з октановим числом 91 ([R + M] / 2) або вище.
- Не використовуйте будь-який тип попередньо змішаного бензину / мастила з паливозаправних станцій.
- Використовуйте тільки 2-тактне синтетичне моторне масло. Не використовуйте автомобільне мастило або 2-тактне зовнішнє мастило.
- Змішайте 2% синтетичне 2-тактне моторне масло з бензином. Це суміш 50:1.
- Змішайте паливо ретельно, а також кожного разу перед заправкою.
- Змішайте в невеликих кількостях. Не змішуйте більше, ніж на 30-денний термін. Синтетичний 2-тактний мастильний матеріал, що містить паливний стабілізатор рекомендується.

### ЗАПОВНЕННЯ БАКА

- Очистіть поверхню навколо паливної кришки, щоб запобігти забрудненню.
- Послабте кришку паливного бака повільно, щоб скинути тиск і утримати паливо від протікання навколо кришки.
- Обережно залийте паливну суміш в резервуар. Уникайте розливу.
- Перед заміною паливної кришки, очистіть і огляньте прокладку.
- Відразу замініть кришку паливного бака і затягніть рукою. Протріть будь-який витік палива. Відійдіть на 9 м від сіцця заправки, перед запуском двигуна.

### ЗАПУСК ДВИГУНА ЗА ДОПОМОГОЮ ЕЛЕКТРИЧНОГО СТАРТЕРА (НЕ ВХОДИТЬ ДО СТАНДАРТНОГО КОМПЛЕКТУ):

Дивіться сторінку 196-201.

#### ⚠ Попередження

Використовуйте тільки електричний стартер Ryobi OES18. Використання будь-якого іншого стартера може спричинити пошкодження двигуна та серйозну фізичну травму.

EN  
FR  
DE  
ES  
IT  
NL  
PT  
DA  
SV  
FI  
NO  
RU  
PL  
CS  
HU  
RO  
LV  
LT  
ET  
HR  
SL  
SK  
BG  
UK  
TR

### ⚠ Попередження

Перед тим, як запустити пристрій за допомогою стартера, слід повністю прочитати та зрозуміти інструкцію за використання електричного стартера OES18 для попередження неналежного використання та уникнення ризику травмування.

- Тримайте ізольований вал лівою рукою та вставте рукоятку голівки стартера у отвір на двигуні. В іншому випадку двигун не буде працювати.
- Переконайтеся, що блок стартера увійшов у зачіп.

**ПРИМІТКА:** Електричний стартер обладнаний захисним блоком. Не натискайте та не утримуйте кнопку вмикання, коли вводите вал електричного стартера в отвір для вала на двигуні. Стартер не прокручуватиметься, якщо електричний стартер не увійшов у зачіп.

### РЕЖИМИ РОБОТИ ТРИММЕРУ

Дивіться сторінку 189.

**RBC31SESO:** Завжди тримайте виріб правою рукою за задню ручку і лівою рукою за передню ручку.

**RBC31SBO:** Візьміть інструмент правою рукою за ручку тригера і лівою рукою за леву ручку.

- Тримайте міцно обома руками під час роботи.
- Прилад треба тримати у зручному положенні, утримуючи ручку тригера на висоті стегон.
- Завжди працюйте з приладом на повній потужності. Тривале використання при частково відчищеному дроселі призведе до протікання мастила з глушника.
- Зрізайте траву зверху донизу, щоб вона не намотувалася на вал і робочу голівку; інакше можливі пошкодження від перегрівання.
- Зупиніть двигун, якщо трава або сміття намотується на ріжучі частини. Одягніть надміцні рукавиці для попередження травмування від гострих лез та обережно видаліть сміття.
- Не застосовуйте надлишкових зусиль, штовхаючи тример. Переміщуйте з боку в бік. В кінці кожного рівномірного руху посуňte трохи вперед.
- Утримуйте інструмент нахиленим у напрямку до області, яка обробляється.
- Не слід використовувати у небезпечних середовищах.
- Використовуйте кінчик струни, щоб зробити різання; не примушуйте голівку у невідрізану траву.
- Провід та частокол викликає додатковий знос струни, навіть поломку. Кам'яні та цегляні стіни, бордюри і деревина можуть швидко зносити струну.
- Уникайте дерев і чагарників. Кора дерев, дерев'яні молдинги, облицювання та стовпи можуть бути легко пошкоджені струною.

### ЕКСПЛУАТАЦІЯ КУЩОРІЗ

Дивіться сторінку 192.

Щоб знизити ризик відскоку: Не застосовуйте надлишкових зусиль, штовхаючи тример при роботі. Переміщуйте справа наліво рівномірними рухами.

На початку кожного рівномірного руху посуňte трохи вперед.

**RBC31SESO:** Завжди тримайте ланцюгову пилу правою рукою на задній рукоятці і лівою рукою на передній рукоятці.

**RBC31SBO:** Візьміть інструмент правою рукою за ручку тригера і лівою рукою за леву ручку.

- Прилад треба тримати у зручному положенні, утримуючи ручку тригера на висоті стегон.
- Міцно тримайте ручку та утримуйте рівновагу. Станьте таким чином, щоб не втратити рівновагу у разі віддачі ножа.
- Відрегулюйте ремінь так, щоб вам було зручно.
- Слід бути дуже обережними, користуючись цим інструментом з ножем. Поштовх леза це реакція, яка може виникати, коли обертаючись леза контактують з чимось, що не можуть зрізати. Такий контакт може миттєво зупинити ніж і несподівано відштовхнути прилад при ударі об об'єкт. Така ситуація може бути достатньою для того, щоб оператор втратив контроль над приладом. Відбивання ножа може статися раптово, коли ніж натрапляє на перешкоду, застряє або затискається. Вірогідніше всього, це може відбутися в областях, де важко побачити матеріал, який зрізається. Для легкого та безпечного косіння, слід зрізати рослини, справа наліво. **У випадку несподіваної появи предмета або стовбура, ця практика може мінімізувати реакцію поштовху ножа.**

### ТРАНСПОРТУВАННЯ ТА ЗБЕРІГАННЯ

- Зупиніть машину і дайте їй охолонути, перед зберіганням або транспортуванням.
- Почистіть всі сторонні матеріали з продукту.
- Якщо ніж встановлений, закрийте його захисним щитом.
- Злийте все паливо з бака в контейнер затверджений для бензину. Пам'ятайте, що треба замінити та затягнути кришку паливного бака належним чином.
- Запустіть двигун, поки він не зупиниться. Це дозволить видалити усе паливо, яке може бути несвіжим і залишити лак і гуму в паливній системі.
- Зберігайте продукт в прохолодному, сухому і добре провітрюваному місці, недоступному для дітей. Зберігати подалі від агресивних агентів, таких як садові хімікати і солей проти обледеніння. Не зберігати на відкритому повітрі.
- Для транспортування, забезпечте машину від руху або падіння, щоб запобігти травми людей або пошкодження машини.
- Ніколи не носіть або транспортуйте пристрій, поки двигун працює.
- Дотримуйтеся усіх державних і місцевих правил та норм щодо безпечного зберігання та використання бензину. Надлишок палива повинен бути використаний в іншому обладнанні 2-циклового двигуна.

## КОРОТКОСТРОКОВЕ ЗБЕРІГАННЯ

- Перед зберіганням вимкніть двигун і дайте йому охолонути.
- Очистіть всі сторонні матеріали з продукту.
- Зберігайте продукт в прохолодному, сухому і добре провітрюваному місці, недоступному для дітей.
- Зберігати подалі від агресивних агентів, таких як садові хімікати і солей проти обледеніння.
- Не зберігайте на відкритому повітрі.

## ТЕХНІЧНЕ ОБСЛУГОВУВАННЯ

### ⚠ Попередження

Використовуйте тільки оригінальні запасні частини, аксесуари та обладнання від виробника. Невиконання цієї вимоги може привести до можливої травми, поганої продуктивності та може призвести до втрати гарантії.

### ⚠ Попередження

Не дозволяйте ріжучому інструменту обертатися у холостому режимі. Якщо ця вимога не задовольняється, треба відрегулювати муфту або передати виріб кваліфікованому техніку для проведення невідкладного технічного обслуговування.

### ⚠ Попередження

Витік паливної кришки пожежно небезпечний і повинен бути негайно замінений.

### ⚠ Попередження

Зверніть увагу, що гайка леза - це контргайка з нейлоновим кільцем фірми "Nyloc", яка використовується для одноразового монтажу. Не використовуйте нейлонову гайку повторно. Використовуйте нову нейлонову гайку, коли встановлюєте або перемонтуєте частини. Невиконання цієї вказівки може привести до серйозної травми або пошкодити пристрій.

### ⚠ Попередження

При прилаштуванні леза переконайтеся, що момент затягування гайки  $\geq 25$  Нм. Невиконання цієї вказівки може привести до серйозної травми або пошкодити пристрій. (див. стор. 202, крок 4)

- Перед виконанням технічного обслуговування завжди зупиняйте мотор та дозволяйте йому охолонути.
- Ви можете зробити регулювання та ремонт, описані в цьому посібнику користувача. Для проведення інших видів ремонту здавайте виріб до авторизованого сервісного центру.

- Наслідки неправильного технічного обслуговування можуть включати в себе надлишкові відкладення вуглецю, що призводить до втрати продуктивності і випуску чорного маслянистого залишку крапель з глушника.
- Під час заміни волосіні використовуйте тільки нейлонову волосінь з діаметром, вказаним у таблиці технічних характеристик цього керівництва.
- Після натягування нової ріжучої лінії, завжди поверніть товар в нормальне робоче положення перед початком роботи. Після кожного використання, очистіть виріб м'якою сухою тканиною.
- Переконайтеся, що всі захисні огороження, реміні, дефлектори і ручки правильно і надійно закріплені, щоб уникнути ризику отримання травми.

## ГРАФІК РОБІТ ПО ОБСЛУГОВУВАННЮ

Перевірте, щоб застібка була повністю затягнута	Перед кожним використанням
Перевірте, Не дозволяйте ріжучому інструменту обертатися у холостому режимі. <sup>2</sup>	Перед кожним використанням
Перевірте паливний шланг	Перед кожним використанням
Перевірте усі з'єднання шлангів	Перед кожним використанням
Очистіть паливний бак і фільтр <sup>1</sup>	Кожні 3 місяці або 50 годин роботи
Замініть паливний фільтр <sup>1</sup>	Щороку або після 300 годин роботи
Перевірте кришку паливного бака або вентиляційний отвір паливного бака (якщо укомплектовано) на протікання	Перед кожним використанням
Очищувальний повітряний фільтр	Кожні 25 годин
Змініть повітряний фільтр	Щороку або після 300 годин роботи
Очистіть або відрегулюйте свічку запалювання.	Кожні 6 місяці або 100 годин роботи
Замініть свічку запалювання	Щороку або після 300 годин роботи
Очистіть іскрогасник	Кожні 25 годин
Замініть на новий іскрогасник.	Щороку або після 300 годин роботи
Очищення вихлопного порта і глушника	Кожні 25 годин

<sup>1</sup> Ці пункти повинні виконуватися тільки у авторизованому сервісному центрі.

2 Якщо ця вимога не виконується, зверніться в авторизований сервісний центр для ремонту або налаштування.

### НЕПЕРЕДБАЧЕНІ РИЗИКИ

Навіть за належного використання інструмента неможливо повністю нейтралізувати певні фактори залишкового ризику. Наступні небезпеки можуть виникати при використанні продукту та оператору слід звернути особливу увагу, щоб уникнути наступного:

- Контакт із різальними засобами.
  - Переконайтеся що захисні щитки ножів встановлені, коли прилад не використовується. Завжди тримайте ноги та руки подалі від ножів.
- Травми спричинені вібрацією.
  - Завжди використовуйте правильний інструмент для роботи, використовуйте призначені ручки і обмежте час роботи і вплив.
- Під впливом шуму може виникнути пошкодження слуху.
  - Надягайте захист для органів слуху та лімітуйте вплив.
- Травма очей внаслідок відлітаючих обрізків.
  - Носіть захист для очей у весь час.
- Ризик падіння об'єктів
  - Якщо існує ризик падіння предметів, надягайте захисну каску.

При використанні куцорізу може бути віддача. Щоб забезпечити надійне керування інструментом, тримайте його обома руками за призначені для цього ручки. Прочитайте інструкції в цієї інструкції та дотримуйтеся їх, щоб знизити ризик віддачі

### ЗНИЖЕННЯ РИЗИКУ

Відомі випадки, коли вібрація від ручних інструментів сприяє появі так званого синдрому Рейно. Симптоми схожі на ті, що з'являються під впливом холоду, включаючи поколювання, оніміння та збліднення пальців. Вважається, що спадкові чинники, вплив холоду і сирості, харчування, куріння і деякі звички роботи сприяють розвитку цих симптомів. Можна прийняти деякі заходи, які можуть бути прийняті оператором, щоб зменшити вплив вібрації:

- Підтримувати температуру тіла в холодну погоду. При використанні інструменту надягайте рукавички, щоб тримати руки та зап'ястки у теплі. Згідно з дослідженнями, основний внесок в розвиток синдрому Рейно, є холодна погода.
- Вправа для активації кровообігу після кожного запуску.
- Переконайтеся, що продукт правильно розташований в зазначеному робочому положенні перед запуском продукту.
- Лімітуйте кількість роботи на день. Регулярно йдуть на перерву.

Якщо ви виявили будь-який з цих симптомів, негайно припиніть використання і зверніться до вашого лікаря згідно цих симптомів.

### ⚠ Попередження

Тривале використання інструменту може призвести до травмування або загострення існуючої травми. При використанні приладу протягом тривалого періоду часу, часті перерви.

### ЗНАЙ СВІЙ ПРОДУКТ

1. Захват стартеру
2. Кришка паливного бака
3. RBC31SBO: Велосипедна ручка
4. RBC31SBO: Привідний вал
5. Щиток для ножа
6. Дефлектор трави
7. Гайка з нейлоновою вставкою
8. Шайба ножа
9. Тарілчаста пружина
10. Запобіжник леза
11. Ніж Tri-Arc™
12. Верхня частина корпусу головки з волосінню
13. Котушка
14. Поворотна кнопка
15. Нижня частина корпусу головки з волосінню
16. Ріжуча лінія
17. RBC31SBO: Блокування важеля управління двигуна
18. RBC31SBO: Тригер дроселя
19. Перемикач запалювання
20. RBC31SBO: Фіксатор дросельної заслінки
21. Гак для ремня
22. RBC31SESO: Alt şaft
23. RBC31SESO: Рукоятка
24. RBC31SESO: Верхній вал
25. RBC31SESO: Передня ручка
26. RBC31SESO: Тригер дроселя
27. RBC31SESO: Фіксатор дросельної заслінки

### СИМВОЛИ НА ПРОДУКТІ



Попередження



Читайте і зрозумійте всі інструкції перед експлуатацією виробу, дотримуйтеся всіх вказівок і попереджень з техніки безпеки.



Носіть захист очей, слуху, і голови.



Носіть нековзне захисне взуття при використанні продукту.



Носіть неслизькі, надміцні рукавички.



Остерігайтеся кинутих або літаючих об'єктів. Тримайте всіх перехожих, особливо дітей і домашніх тварин, принаймні 15 м від робочої зони.



Цей виріб не призначений для використання з зубчатим ріжучим диском.



Для зменшення ризику травми або пошкодження уникайте контакту з гарячими поверхнями.



Тримайте руки подалі від лез



Гарантований рівень звукової потужності.



Робоче положення



Встановіть важіль повітряної заслінки в становище "ПОВНОГО" дроселя.



Встановіть важіль повітряної заслінки в становище "половини" дроселя.



Почекайте 10 секунд.



**ЗАПРАВЛЕННЯ**  
Натисніть грушу 10 разів.



Потягніть мотузку стартера



Натисніть пусковий механізм дроселя для запуску/роботи.



Зафіксуйте дросель у цьому положенні кнопкою блокування дроселя.



Використовуйте неетилований бензин, призначений для використання моторними транспортними засобами з октановим числом 91 ([R + M]/2) або вище.



Використовуйте 2-тактне масло для двигунів з повітряним охолодженням.



Змішайте суміш палива ретельно, а також кожного разу перед заправкою



Запуск холодного двигуна вручну



Запуск прогрітого двигуна вручну:



Запуск холодного двигуна за допомогою електричного стартера



Запуск прогрітого двигуна за допомогою електричного стартера:



Символ Прямий вал: При установці котушки на ріжучому елементі ця позначка повинна бути видимою для користувача.



Ніж Tri-Arc™ підходить для використання із цим приладом та призначений для зрізання м'ясистих бур'янів та лози.



Пам'ятайте, що ніж може рухатися ривками.



Напрямок обертання і максимальна швидкість вала для ріжучих насадок.



Тяга:  
Петля швидкого випуску



Відповідає всім нормативним стандартам в країнах ЄС, де виріб було придбано.



Євразійська знак відповідності.



Український знак відповідності

Наступні сигнальні слова і змісти призначені для пояснення рівнів ризику, пов'язаних з продуктом.

#### **⚠ НЕБЕЗПЕКА**

Вказує на неминуче небезпечну ситуацію, яка, якщо її не уникнути, може призвести до смерті або серйозних травм.

#### **⚠ Попередження**

Вказує на потенційно небезпечну ситуацію, яка, якщо її не уникнути, може призвести до смерті або серйозних травм.

#### **⚠ УВАГА**

Вказує на потенційно небезпечну ситуацію, яка, якщо її не уникнути, може призвести до легкої або середньої травми.

#### **УВАГА**

Без попереджувачих символів

Вказує на ситуацію, яка може призвести до пошкодження майна.

#### **СИМВОЛИ В ЦЬОМУ ПОСІБНИКУ**



ПРИМІТКА



Попередження

EN  
FR  
DE  
ES  
IT  
NL  
PT  
DA  
SV  
FI  
NO  
RU  
PL  
CS  
HU  
RO  
LV  
LT  
ET  
HR  
SL  
SK  
BG  
UK  
TR

Çalı kesicinizin/Çim makasının tasarımında en yüksek önceliği güvenlik, performans ve güvenilirliğe verdik.

#### KULLANIM AMACI

Çalı kesici/çim makası sadece bu kılavuzdaki talimatları ve uyarıları okuyup anlamış olan ve hareketlerinden sorumlu tutulabilecek yetişkinlerce kullanılmak üzere geliştirilmiştir. Bu ürün sadece iyi havalandırılan bir alanda dış mekanda kullanıma yöneliktir. Güvenlik nedenleriyle ürün iki elle kullanılarak uygun şekilde kontrol edilmelidir.

Ürün bir çim biçme kafasıyla (ve uygun korkulukla) donatıldığından, zemin düzeyinde ya da hemen üzerindeki uzun çim, yumuşak ot ve benzeri bitkileri kesmek üzere geliştirilmiştir. Tri-Arc™ bıçağı (ve uygun korkulukla) donatıldığında, çalı da kesebilir. Ürün bir testere bıçağıyla donatılmaya uygun değildir.

Kesme düzlemi yaklaşık olarak zemin yüzeyine paralel olmalıdır. Bu ürün kesme düzleminin zemin yüzeyine paralel olmadığı durumlarda çitleri, çalları veya diğer bitkileri kesmek veya biçmek için kullanılmamalıdır.

Başka herhangi bir amaçla kullanmayın.

#### ⚠ UYARI

Yaralanma riskini azaltmak için kullanıcı ürünü kullanmadan önce kullanıcı kılavuzunu okuyup anlamalıdır.

#### ⚠ UYARI

Bu kılavuzda yer alan tüm talimatları ve güvenlik kurallarını vb. tamamen okuyana ve anlayana kadar ürünü kullanmaya çalışmayın. Bunlara uymamak yangın, elektrik çarpması veya ciddi fiziksel yaralanmanın meydana gelebileceği kazalarla sonuçlanabilir. Bu kullanıcı kılavuzunu saklayın ve güvenli şekilde kullanmaya devam etmek ve bu ürünü kullanabilecek diğer kişileri bilgilendirmek için sık sık inceleyin.

#### ⚠ UYARI

Bu ürün çocuklar veya fiziksel, zihinsel veya duyuşal becerileri kısıtlı kişiler tarafından kullanıma uygun değildir. Ürünle oynamadıklarından emin olmak için çocuklara uygun şekilde nezaret edilmelidir.

#### GENEL GÜVENLİK UYARILARI

- Güvenli çalışma için ürünü kullanmadan önce tüm talimatları okuyun ve anlayın. Tüm güvenlik talimatlarına uyun. Bu uyarıya dikkat etmemek ciddi yaralanma ile sonuçlanabilir.
- Bazı bölgeler ürünün bazı çalışmalarda kullanımına kısıtlama getiren yönetmeliklere sahiptir. Tavsiye için bölgenizdeki yetkili mercie başvurun.
- Çocukların ve eğitimsiz kişilerin bu üniteyi kullanmasına izin vermeyin.
- Motoru hiçbir zaman kapalı veya kötü havalandırılan bir alanda çalıştırmayın; egzoz dumanının solunması ölüme neden olabilir.
- Her kullanım öncesi çalışma alanını temizleyin. İp başlığı veya bıçak tarafından fırlatılabilecek veya

içerisinde sıkışabilecek taş, kırık cam, çivi, tel veya ip gibi tüm nesnelere temizleyin.

- Bu ekipmanı kullanırken koruyucu gözlük ve kulak tıkacı takın. Eğer nesnelere düşme riskinin bulunduğu bir alanda çalışıyorsanız kask takılmalıdır.
- Kulak tıkacı operatörün ikaz seslerini duyma becerisini kısıtlayabilir. Çalışma alanının çevresindeki ve içindeki potansiyel tehlikelere karşı dikkatli olun.
- Kalın ve uzun pantolon, kaymaz koruyucu ayakkabı ve eldiven takın. Bol kıyafetler, kısa pantolon giymeyin, herhangi bir takı takmayın veya çıplak ayakla kullanmayın.
- Saçlarınız uzsuna hareketli parçalara dolaşmasını önlemek için omuz seviyesinin üzerinde toplayın.
- Etraftaki herkesi, çocukları ve evcil hayvanları en az 15 m uzaktaki tutun. Eğer herhangi biri bu alana girerse ürünü durdurun.
- Ürünü hiçbir zaman yorgunken, hastayken veya alkol, uyuşturucu veya ilaç etkisi altında kullanmayın.
- Kötü aydınlatılmış koşullarda kullanmayın. Operatörün potansiyel tehlikeleri belirlemesi için net, kısıtlanmamış görüşe ihtiyacı vardır.
- Yere sağlam basın ve dengeyi her zaman koruyun. Yukarıya doğru erişmeye çalışmayın. Yukarıya erişmeye çalışmak dengeyi kaybetmenize veya sıcak yüzeylere temas etmenize neden olabilir.
- Vücudunuzun tüm uzuvlarını hareketli parçalardan uzak tutun.
- Susturucu veya ürünün silindiri etrafındaki alana dokunmayın, bu parçalar çalışma nedeniyle ısınır.
- Herhangi bir ayar yapmadan önce mutlaka motoru durdurup soğumasını bekleyin.
- Yakıt karıştırırken veya yakıt deposunu doldururken sigara içmeyin.
- Yakıtı yakıt için onaylı bir konteyner içerisinde karıştırın ve depolayın.
- Yakıtı kıvılcımın ve alevin olmadığı açık alanlarda karıştırın. Dökülen yakıtı silin. Motoru çalıştırmadan önce yakıt dolm yerinden 9 m uzaklaştırın.
- Yakıt doldurmadan önce motoru durdurun ve ürünün soğumasını bekleyin.
- Motorun soğumasını bekleyin; yakıt deposunu boşaltın ve üniteyi araçla taşımadan önce hareket etmemesi için sabitleyin.
- Aşağıdakilerden önce, motoru mutlaka durdurup bütün hareketli aksamın durduğundan emin olun:
  - servis
  - ürün gözetimsiz bıraktığınızda
  - ürününüzün temizlenmesi
  - aksesuarların değiştirilmesi
  - tıkanıklıkların giderilmesi
  - bir nesneye çarptıktan sonra herhangi bir hasara karşı kontrol
  - ürün anormal derecede titreyerek çalışıyorsa herhangi bir hasara karşı kontrol
  - bakım yapma
  - bıçağın sökülmesi
  - bıçağın takılması



### ⚠ UYARI

Asla bu kılavuzda Ryobi tarafından belirtilmemiş kesici aksam veya eklenti kullanmayın. Buna çok parçalı metal döner zincirler ve dövücü bıçakların kullanımı da dahildir. Kullanım sırasında kırıldığı bilinen bu parçalar operatöre ya da izleyiciler için ciddi yaralanmaya yönelik yüksek risk oluşturur.

### ⚠ UYARI

Düşürdükten veya başka bir darbeden sonra inceleme. Ürünü iyice inceleyin ve tüm arıza durumlarını ve hasarları belirleyin. Hasarlı her tür parça yetkili servis merkezi tarafından uygun şekilde onarılmalı veya değiştirilmelidir.

### ÇİM MAKASI GÜVENLİK UYARILARI

- Çatlamışsa, kırılmışsa veya herhangi bir şekilde zarar görmüşse ip başlığını değiştirin. Tel kafanın düzgün şekilde takılı olduğundan ve güvenli şekilde sıkıştırıldığından emin olun. Aksi hâlde ciddi yaralanmaya neden olabilir.
- Islak çim üzerinde kullanmaktan kaçının.
- Ürünü kullanırken geri geri yürümeyin.
- Yürüyün, hiçbir zaman koşmayın.
- Kesme eklentisine takılı olan küçük bıçak, güvenli ve en iyi performans için yeni çekilmiş teli doğru uzunlukta kesmek içindir. Çok keskindir; özellikle ürünün temizlerden dokunmayın.
- Havalandırma girişlerinin her zaman biriktinden arındırılmış hâlde tutulduğundan emin olun.
- Her kullanım öncesi ve her hangi bir darbeden sonra hasarlı parça olmadığını kontrol edin. Kesme araçlarını çatlak ve diğer hasar belirtilerine karşı inceleyin. Arızalı bir anahtarın ya da hasarlı veya aşınmış herhangi bir parçanın yetkili bir servis tarafından gerektiği gibi onarılması ya da değiştirilmesi gerekir.
- Başlık bağlantısının doğru şekilde takıldığından ve güvenli şekilde sabitlendiğinden emin olun.
- Tüm korkuluk, deflektör, tutamak, cıvata ve tespit elemanlarının yerlerinde bulduklarından emin olun.
- Üründe herhangi bir şekilde değişiklik yapmayın Bu, sizin ve başkalarının yaralanma tehlikesini artırabilir.
- Kesme başlığında sadece üreticinin yedek ipini kullanın. Başka bir kesme aparatı kullanmayın.
- Ürünü hiçbir zaman kesme bağlantısı koruması yerinde ve iyi durumda değilken kullanmayın.
- Kesme sırasında her iki tutamağı da sıkıca kavramayı sürdürün. Tel kafayı göğüs seviyesinin altında tutun. Hiçbir zaman yerden 76 cm veya daha yukarıda bulunan ip başlığı ile kesim yapmayın.

### ÇALI KESİCİ GÜVENLİK UYARILARI

- Yukarıdaki kurallar ile birlikte ürün çalı tırpanı modunda kullanırken bu ek talimatlara uyulmalıdır.
- Kanatları takar ya da sökerken ağır hizmet tipi eldiven kullanın, kanat kenarları keskindir.

- Dönerken bıçağa dokunmaya veya durdurmaya çalışmayın.
- Hareketli bir kanat ciddi yaralanmaya yol açabilir. Bıçak dönmeyi bütünüyle kesene kadar iki elle ürünün kontrolünü sürdürün.
- Hasar gören tüm bıçakları değiştirin. Her kullanım öncesi bıçağın doğru şekilde takıldığından ve güvenli bir şekilde sabitlendiğinden her zaman emin olun.
- Sadece üreticinin bu üründe kullanılmak üzere tasarlanmış yedek TRI-ARC bıçağını kullanın. Başka bir kesme aparatı kullanmayın.
- Hiçbir zaman çapı 13 mm'den büyük malzemeleri kesmeyin.
- Ürününüz bir kayış takımıyla donatılmıştır. Kayış donanımını ürünün ağırlığını rahatça destekleyecek şekilde ve sağ tarafınızda kalacak gibi sırtınıza asın.
- Hızlı serbest bırakma mekanizmasını tanıyın ve ürünü kullanmaya başlamadan önce bunu kullanarak pratik yapın. Doğru şekilde kullanılması acil bir durumda ciddi yaralanmaları önleyebilir. Hiçbir zaman kayış tertibatının üzerine ek kıyafet giymeyin, aksi hâlde hızlı serbest bırakma mekanizmasına erişim kısıtlanabilir.
- Üniteyi depolamadan önce veya taşıma sırasında bıçağı bıçak koruyucu ile koruma altına alın. Üniteyi kullanmadan önce her zaman bıçak koruyucuyu çıkartın. Eğer çıkartılmazsa bıçak koruyucu bıçak dönmeye başladığında fırlayan bir nesneye dönüşebilir.
- Bıçağı bu üniteyle birlikte kullanırken çok dikkatli olun. Bıçağın itme hareketi dönen bıçak kesemeyeceği herhangi bir nesneyle temas ettiğinde meydana gelebilecek bir tepkidir. Bu temas bıçağın kısa bir süre durmasına ve aniden cihazı çarptığı nesneden "itmesine" neden olabilir. Bu tepki kullanıcının ünitenin kontrolünü kaybetmesine neden olacak kadar şiddetli olabilir. Eğer bıçak takılır, saplanır veya dolanırsa birdenbire bıçak itme hareketi meydana gelebilir. Bunun kesilen malzemeyi görmenin zor olduğu alanlarda meydana gelme ihtimali daha yüksektir.
- Kolay ve güvenli kesim için kesilen otlara soldan sağa doğru yaklaşın. Beklenmedik bir nesne veya odunsu gövdeyle karşılaşılması durumunda bu, bıçağın itme tepkisini en aza indirebilir. Ürünü kontrol etmek için her zaman iki elinizi de kullanmalısınız.

### MONTAJ

#### PAKETTEN ÇIKARMA

*Bkz. sayfa 181-182.*

Bu ürünün monte edilmesi gerekir.

- Aleti ve diğer aksesuarları kutudan dikkatlice çıkartın. Paket listesinde listelenen tüm parçaların pakette olduğundan emin olun.
- Nakliye sırasında hiçbir kırık veya hasarın meydana gelmediğinden emin olmak için ürünü dikkatli bir şekilde inceleyin.

EN  
FR  
DE  
ES  
IT  
NL  
PT  
DA  
SV  
FI  
NO  
RU  
PL  
CS  
HU  
RO  
LV  
LT  
ET  
HR  
SL  
SK  
BG  
UK  
TR

### ⚠ UYARI

Herhangi bir parça eksik ya da hasarlıysa o parçaları değiştirmeden ürünü çalıştırmayın. Bu uyarıya dikkat etmemek ciddi yaralanma ile sonuçlanabilir.

### KAYIŞ ASICININ AYARLAMASI

Bkz. sayfa 185/189.

Bıçak ya da kesme eklentisi yer yüzeyinden 100 mm ile 300 mm arası yukarıda olacak şekilde kayış asıcıyı rahat ve dengeli bir konumda ayarlayın.

### BAĞLARIN KULLANILMASI

Bkz. sayfa 185/189.

**NOT:** Ünitelerle birlikte kayış tertibatını her zaman kullanın.

**NOT:** Ürünü kayış tertibatından çabucak serbest bırakmak için hızlı serbest bırakma tımağını sertçe çekin.

### REELEASY™ ÇİM BUDAMA BAŞLIĞI VE TRİ-ARC™ BİÇAĞIN KULLANILMASI

- ReelEasy™ çim budama başlığını kullanırken çim deflektörünün bıçak muhafazasına takılı olması gereklidir. (Bkz. sayfa 203).
- Tri-Arc™ bıçağı kullanırken çim deflektörünün bıçak muhafazasından çıkarılması gereklidir. (Bkz. sayfa 202).

### ⚠ UYARI

Her zaman motoru çalıştırmadan önce dişli şaftını kilitleyen pimi çıkarın (bkz. sayfa 185, adım 4)

### KULLANIM

#### YAKIT VE YAKIT DOLUMU

Bkz. sayfa 184.

- Yakıtı her zaman dikkatli bir şekilde taşıyın, son derece yarıcıdır.
- Bu ürüne bir 2 zamanlı motor ile güç sağlanır ve benzin ve 2 zamanlı motor yağının önceden karıştırılmasını gerektirir. Kurşunsuz benzin ve 2 zamanlı motor yağı benzin için onaylı temiz bir konteynerde önceden karıştırın.
- Bu motorun 91 ([R + M] / 2) veya üzeri oktanla otomobillerde kullanılan yönelik kurşunsuz benzinle kullanılması onaylanmıştır.
- Akaryakıt istasyonlarındaki hiçbir önceden karıştırılmış benzini / yağı kullanmayın.
- Sadece sentetik 2 zamanlı motor yağı kullanın. Otomobil yağı veya 2 zamanlı dış motor yağı kullanmayın.
- %2 sentetik 2 zamanlı motor yağını benzinle karıştırın. Bu oran 50:1'dir.
- Yakıt doldurmadan önce her seferinde yakıtı iyice karıştırın.
- Küçük miktarlarda karıştırın. 30 günlük kullanılabilir miktardan daha fazla miktarlarda karıştırmayın. Yakıt dengeleyici içeren sentetik 2 zamanlı motor yağının kullanılması önerilir.

### DEPONUN DOLDURULMASI

- Kirlenmeyi önlemek için yakıt kapağının etrafındaki yüzeyi temizleyin.
- Basıncı tahliye etmek ve yakıtın kapağın etrafından kaçmasını önlemek için yakıt kapağını yavaşça gevşetin.
- Yakıt karışımını depoya dikkatli bir şekilde dökün. Dökülmesini önleyin.
- Yakıt kapağını değiştirmeden önce contayı inceleyin ve temizleyin.
- Yakıt kapağını hemen yerine takın ve elinizle sıkın. Dökülen yakıtı silin. Motoru çalıştırmadan önce yakıt dolum yerinden 9 m uzaklaştırın.

### MOTORU MARŞ MOTORU (OPSİYONEL) KULLANARAK ÇALIŞTIRMAK:

Bkz. sayfa 196-201.

### ⚠ UYARI

Yalnızca Ryobi OES18 elektrikli başlatıcı kullanın. Başka bir marş kullanmak motora hasar verebilir ve ağır yaralanmalara neden olabilir.

### ⚠ UYARI

Ürünü çalıştırmak için elektrikli başlatıcı kullanmadan önce yanlış kullanım ve ciddi kişisel yaralanmadan kaçınmak için OES18 elektrikli başlatıcının kullanım kılavuzunu tamamen okuyup anlayın.

- Yalıtımlı şaftı sol elinizle tutun ve başlatıcı uç şaftını motordaki şaft deliğine sokmak için sağ elinizi kullanın. Aksi halde motor çalışmayacaktır.
  - Marş ucunun doğru takıldığından emin olun.
- NOT:** Marş motoru bir emniyet kilidi ile donatılmıştır. Marş motoru milini motorun mil deliğine sokarken düğmeyi basılı tutmayın. Eğer marş motoru doğru takılmazsa marş çalışmayacaktır.

### ÇİM BUDAMA MAKİNESİNİN KULLANIMI

Bkz. sayfa 189.

**RBC31SESO:** Ürünü arka kulbundan sağ elinizle ve ön kulbundan sol elinizle tutun.

**RBC31SBO:** Ürünü tetik kulbundan sağ elinizle ve sol kulbundan sol elinizle tutun.

- Kullanırken iki elinizle sıkıca tutun.
- Bu ürün tetik kolu yaklaşık olarak kalça yüksekliğinde rahat bir pozisyonda tutulmalıdır.
- Ürünü her zaman tam gazda çalıştırın. Yarı gazda uzun süre kesim yapmak susturucudan yağ damlamasına neden olur.
- Otun aşırı ısınma nedeniyle hasara neden olacak şekilde mil gövdesinin ve mil başlığının etrafına sarılmasını önlemek için uzun çimleri üstten kesin.
- Kesme araçlarına çim ya da çöp dolanırsa motoru durdurun. Keskin bıçak yaralanmalarından kaçınmak için ağır iş eldivenleri giyin ve çöpü temizleyin.
- Kesilecek çimin içine doğru itmeyin. Bir yandan diğer

yana doğru kullanın. Yandan yana yapılan her turun sonunda biraz öne doğru ilerletin.

- Ürünü kesilen alana doğru eğik hâlde tutun.
- Tehlikeli ortamlarda kullanmayın.
- Kesimi yapmak için ipin ucunu kullanın; ip başlığını kesilmeyen çime doğru bastırarak zorlamayın.
- Tel ve kazık çitler ek ip aşınmasına ve hatta kopmasına neden olur. Taş ve tuğla duvarlar, bordürler ve tahta ipin hızlıca aşınmasına neden olabilir.
- Ağaçlardan ve bodur ağaçlardan kaçının. Ağaç kabuğu, tahta çitler, giydirmeler ve çit direkleri ip nedeniyle kolayca zarar görebilir.

### ÇALI TIRPANININ KULLANILMASI

Bkz. sayfa 192.

Geri tepme riskini azaltmaya yardımcı olmak için: Kesilecek malzemenin içine doğru itmeyin. Düzenli hareketlerle sağdan sola ilerletin. Yandan yana yapılan her turun başında biraz öne doğru ilerletin.

**RBC31SESO:** Ürünü arka kulbundan sağ elinizle ve ön kulbundan sol elinizle tutun.

**RBC31SBO:** Ürünü tetik kulbundan sağ elinizle ve sol kulbundan sol elinizle tutun.

- Bu ürün tetik kolu yaklaşık olarak kalça yüksekliğinde rahat bir pozisyonda tutulmalıdır.
- Sıkıca tutun ve her iki ayağınız üzerinde dengede durun. Kesme bıçağının geri tepme tepkisi nedeniyle dengeyi kaybetmeyeceğiniz bir pozisyona geçin.
- Kayışlı askıyı rahat bir konuma ayarlayın.
- Bıçağı bu üniteyle birlikte kullanırken çok dikkatli olun. Bıçağın itme hareketi dönen bıçak kesemeyeceği herhangi bir nesneyle temas ettiğinde meydana gelebilecek bir tepkidir. Bu temas bıçağın kısa bir süre durmasına ve aniden cihazı çarptığı nesneden "itmesine" neden olabilir. Bu tepki kullanıcının ünitenin kontrolünü kaybetmesine neden olacak kadar şiddetli olabilir. Eğer bıçak takılır, saplanır veya dolanırsa birdenbire bıçak itme hareketi meydana gelebilir. Bunun kesilen malzemeyi görmenin zor olduğu alanlarda meydana gelme ihtimali daha yüksektir. Kolay ve güvenli kesim için kesilen otlara soldan sağa doğru yaklaşın. **Beklenmedik bir nesne veya odunsu gövdeyle karşılaşılması durumunda bu, bıçağın itme tepkisini en aza indirebilir.**

### TAŞIMA VE DEPOLAMA

- Motoru durdurun ve depolamadan veya taşımadan önce soğumasını bekleyin.
- Üründeki tüm yabancı maddeleri temizleyin.
- Kesici bıçak takılması halinde, bıçağı bir bıçak koruyucusuyla örtün.
- Depodaki tüm yakıtı benzin için onaylı bir konteyner içine boşaltın. Yakıt kapağını uygun şekilde yerine takmayı ve sıkıyı unutmayın.
- Motoru durana kadar çalıştırın. Bu, bayatlayabilecek ve yakıt sisteminde vernikli ve yapışkan bir madde bırakabilecek tüm yakıtı giderecektir.
- Çocukların erişemeyeceği serin, kuru ve iyi

havalandırılan bir yerde depolayın. Bahçe kimyasalları ve buz çözücü tuzlar gibi korozif maddelerden uzak tutun. Açık alanda depolamayın.

- Taşınacağı zaman insanların yaralanmasını veya ürünün zarar görmesini önlemek amacıyla ürünü hareket etmemesi veya düşmemesi için sabitleyin.
- Ürünü hiçbir zaman motor çalışırken elinizle veya araçla taşımayın.
- Benzinin güvenli şekilde depolanması ve taşınması için tüm devlet yönetmeliklerine ve yerel yönetmeliklere uyun. Fazla yakıt diğer 2 zamanlı motor ile sevk sağlanan ekipmanlarda kullanılabilir.

### KISA SÜRELİ DEPOLAMA

- Motoru durdurun ve depolamadan önce soğumasını bekleyin.
- Üründeki tüm yabancı maddeleri temizleyin.
- Çocukların erişemeyeceği serin, kuru ve iyi havalandırılan bir yerde depolayın.
- Bahçe kimyasalları ve buz çözücü tuzlar gibi korozif maddelerden uzak tutun.
- Açık alanda depolamayın.

### BAKIM

#### ⚠ UYARI

Sadece orijinal üreticinin yedek parçalarını, aksesuarlarını ve ek parçalarını kullanın. Aksi hâlde olası yaralanmalara, zayıf performans neden olabilir ve garantinizi geçersiz kılabilir.

#### ⚠ UYARI

Kesme eki rölanti modunda dönmelidir. Eğer bu sonuç tatmin edici değilse kavramanın ayarlanması veya makinenin nitelikli bir teknisyen tarafından bakımının yapılması gerekir.

#### ⚠ UYARI

Sızdıran bir yakıt kapağı bir yangın tehlikesidir ve derhal değiştirilmelidir.

#### ⚠ UYARI

Bıçak somunun tek seferlik kullanılan bir naylon girişli kilit somunu olduğuna dikkat edin. Naylon kilitli somunu tekrar kullanmayın. Kurulum/tekrar kurulum esnasında yeni bir naylon girişli kilit somunu kullanın. Bu uyarıya dikkat etmemek ciddi yaralanma ile sonuçlanabilir.

#### ⚠ UYARI

Bıçağı takarken somun torkunun  $\geq 25Nm$  olduğundan emin olun. Bu uyarıya dikkat etmemek ciddi yaralanma ile sonuçlanabilir. (bkz. sayfa 202, adım 4)

- Herhangi bir ayar yapmadan önce mutlaka motoru

durdurup soğumasını bekleyin.

- Sadece bu kılavuzda açıklandığı şekilde ayar veya onarım yapabilirsiniz. Diğer onarım çalışmaları için ürünün servisini yetkili bir servis temsilcisine yaptırın.
- Hatalı bakımın sonuçları arasında performans kaybına neden olan aşırı karbon birikimi ve susturucudan damlayan siyah yağ artışı tahliyesi yer olabilir.
- Yedek tel olarak yalnızca bu kılavuzun spesifikasyonlar tablosunda belirtilen çapta naylon tel kullanın.
- Yeni kesme telini çektikten sonra her zaman çalışmaya başlamadan ürünü normal çalışma konumuna getirin. Her kullanım sonrası ürünü yumuşak ve kuru bir bezle temizleyin.
- Fiziksel yaralanma riskini önlemek için tüm korumaların, kayışların, defektörlerin ve kulpların doğru ve güvenli şekilde takıldığından emin olun.

## BAKIM PLANI

Tutturucunun içice sıklıldığını kontrol edin	Her kullanım öncesi
Muayene: Kesme eki rölanlı modunda dönmelidir. <sup>2</sup>	Her kullanım öncesi
Yakıt hortumunu kontrol edin	Her kullanım öncesi
Tüm hortum bağlantılarını kontrol edin	Her kullanım öncesi
Yakıt deposunu ve filtreyi temizleyin <sup>1</sup>	Her 3 ayda veya 50 saat kullanımda bir
Yakıt filtresini değiştirin <sup>1</sup>	Her yıl ya da 300 saat çalışmadan sonra
Yakıt kapağı ya da (varsa) yakıt deposu buhar havalandırmasında sızıntı olup olmadığını kontrol edin	Her kullanım öncesi
Hava filtresini temizleyin.	Her 25 saatte
Hava filtresini değiştirin	Her yıl ya da 300 saat çalışmadan sonra
Bujiyi temizleyin ya da ayarlayın	Her 6 ayda veya 100 saat kullanımda bir
Bujiyi değiştirin	Her yıl ya da 300 saat çalışmadan sonra
Kıvılcım tutucuyu temizleyin	Her 25 saatte
Yeni bir kıvılcım tutucuyla değiştirin.	Her yıl ya da 300 saat çalışmadan sonra
EGZOZ ÇIKIŞI VE SUSTURUCUNUN TEMİZLENMESİ	Her 25 saatte

<sup>1</sup> Bu çalışmalar sadece yetkili bir servis merkezi tarafından yapılmalıdır.

<sup>2</sup> Bu gereksinim karşılanmadıysa tamir ya da ayarlama için yetkili bir servis merkezi ile iletişime geçin.

## ARTIK RİSKLER

Ürün belirtilen şekilde kullanıldığında bile belirli artık risk faktörlerini tamamen ortadan kaldırmak mümkün değildir. Kullanım sırasında aşağıdaki tehlikeler ortaya çıkabilir ve kullanıcının aşağıdaki durumları önlemek için özellikle dikkatli olması gerekir:

- Kesme aletleriyle temas.
  - Ürün kullanılmadığı zaman kanat koruyucularının takılı olmasını sağlayın. Ellerinizi ve ayaklarınızı daima bıçaklardan uzak tutun.
- Titreşim nedeniyle yaralanma.
  - İş için her zaman doğru aleti kullanın, belirtilen saplardan tutun; çalışma ve maruz kalma süresini sınırlandırın.
- Gürültüye maruz kalma nedeniyle işitme kaybı meydana gelebilir.
  - Kulak tıkacı takın ve maruz kalma süresini sınırlandırın.
- Fırlayan birikintiler nedeniyle göz yaralanması.
  - Her zaman uygun kulak tıkacı takın.
- Nesne düşme riski
  - Eğer herhangi bir nesnenin düşme riski varsa kask takın.

Çalı trpanını kullanırken geri tepme meydana gelebilir. Belirlenmiş tutamakları iki elinizle tutarak gerekli kontrolü sağlayın. Geri tepme riskini düşürmek için bu kullanma kılavuzunun diğer bölümlerindeki talimatları okuyup uygulayın.

## RİSK AZALTMA

El aletlerinden kaynaklanan titreşimlerin belirli kişilerde Raynaud Sendromu adı verilen bir durumu etkilediği bildirilmiştir. Semptomlar içerisinde parmaklarda genellikle soğuğa maruz kaldığında açığa çıkan karıncalanma, hissizlik ve ağarma yer bulunabilir. Kalıtsal faktörler, soğuğa ve neme maruz kalma, diyet, sigara içme ve çalışma uygulamalarının hepsinin bu semptomların gelişimini etkilediği düşünülmektedir. Titreşim etkilerini azaltmak için kullanıcı tarafından alınabilecek önlemler vardır:

- Soğuk havada vücut ısınızı koruyun. Ürünü kullanırken ellerinizi ve bileklerinizi sıcak tutmak için eldiven giyin. Soğuk havanın Raynaud Sendromu'nu etkileyen önemli bir faktör olduğu bildirilmiştir.
- Her kullanım süresinden sonra kan dolaşımını artırmak için egzersiz yapın.
- Çalıştırmadan önce ürünün doğru şekilde belirlenen çalışma pozisyonunda olduğundan emin olun.
- Günlük maruz kalma miktarını sınırlayın. Sık çalışma molası verin.

Eğer bu durumla ilgili herhangi bir semptom görürseniz çalışmayı derhal bırakın ve bu semptomlar hakkında doktorunuza başvurun.

## UYARI

Ürünün uzun süre kullanılması nedeniyle yaralanmalar meydana gelebilir veya kötüleşebilir. Herhangi bir alet uzun süre kullanıldığında düzenli molalar verdiğinizden emin olun.

## ÜRÜNÜZÜ TANIYIN

1. Marş kolu
2. Yakıt kapağı
3. RBC31SBO: Bisiklet gidonu
4. RBC31SBO: Tahrik şaftı
5. Bıçak koruması
6. Çim Deflektörü
7. Naylon somun
8. Bıçak pulu
9. Girintili pul
10. Bıçak koruyucu
11. Tri-Arc™ bıçak
12. Üst tel başlık gövdesi
13. Sargı
14. Darbe düğmesi
15. Alt tel başlık gövdesi
16. Kesme İpi
17. RBC31SBO: Gaz kelebeği geçmeli kilidi
18. RBC31SBO: Gaz kelebeği tetiği
19. Marş anahtarı
20. RBC31SBO: Gaz Kelebeği Geçmeli Kilidi
21. Kayışlı askı
22. RBC31SESO: Alt şaft
23. RBC31SESO: Topuz
24. RBC31SESO: Üst mil
25. RBC31SESO: Ön kulp
26. RBC31SESO: Gaz kelebeği tetiği
27. RBC31SESO: Gaz Kelebeği Geçmeli Kilidi

## ÜRÜN ÜZERİNDEKİ SEMBOLLER



Güvenlik ikazı



Ürünü kullanmadan önce tüm talimatları okuyun ve anlayın, tüm uyarılara ve güvenlik talimatlarına uyun.



Kulak tıkacı, gözlük ve kask takın.



Ürünü kullanırken kaymaz güvenlik ayakkabısı giyin.



Kaymaz, ağır iş eldiveni giyin.



Fırlayan ve sıçrayan nesnelere dikkat edin. Üçüncü şahısları, özellikle çocukları ve evcil hayvanları çalışma alanından en az 15 m uzakta tutun.



Bu koruma tırtıklı testere tipi bıçakla birlikte kullanıma yönelik değildir.



Yaralanma veya hasar riskini azaltmak için herhangi bir sıcak yüzeye temas etmekten kaçının.



Ellerinizi bıçaklardan uzak tutun.



Güvenceli ses gücü seviyesi



Çalışma konumu



Jikle kolunu "TAM" jikle konumuna getirin.



Jikle kolunu "YARIM" jikle konumuna getirin.



Bekleme süresi 10 saniye.



İÇİNE YAKIT DÖKÜP ÇALIŞMAYA HAZIRLAYIN  
Hortum puarına 10 kez basın.



Marş ipini çekin.



Çalıştırmak için gaz kelebeği tetiğini sıkın.



Gaz kelebeği geçmeli kilit düğmesine basarak gaz kelebeğini yerine kilitleyin.



91 oktan (R+M)/2 veya daha yüksek oktanlı motorlu taşıtlarda kullanıma yönelik kurşunsuz benzin kullanın.



Hava soğutmalı motorlar için 2 zamanlı motor yağı kullanın.



Yakıt karışımını yakıt doldurmadan önce her seferinde iyice karıştırın.



Soğuk bir motoru elle çalıştırmak



Sıcak bir motoru elle çalıştırmak



Soğuk bir motoru marş motoruyla çalıştırmak



Sıcak bir motoru marş motoruyla çalıştırmak



Düz şaft sembolü: Tel makarası kesici aksamaya takılırsa, operatörün bu simgeyi görüyor olması gerekir.



Tri-Arc™ bıçak bu ünite için ve yumuşak otların ve ağmaların kesilmesi için uygundur.



Kanat itmesine dikkat edin



Kesme eki için mil dönüş yönü ve maksimum hızı.



Çekin:  
Hızlı serbest bırakma tırnağı



Ürünün satın alındığı AB ülkesindeki tüm düzenleyici standartlara uygundur.



EurAsian Uygunluk İşareti



Ukrayna uygunluk işareti.

Aşağıdaki işaret sözcükler ve anlamları bu ürünle ilişkili risk seviyelerinin açıklanmasına yöneliktir.

**⚠ TEHLİKE**

Önlenmemesi durumunda ölüm veya ciddi yaralanma ile sonuçlanacak ciddi tehlike içeren bir durumu gösterir.

**⚠ UYARI**

Önlenmemesi durumunda ölüm veya ciddi yaralanma ile sonuçlanabilecek potansiyel olarak tehlikeli bir durumu gösterir.

**⚠ İKAZ**

Önlenmemesi durumunda önemsiz veya orta derece yaralanma ile sonuçlanabilecek potansiyel olarak tehlikeli bir durumu gösterir.

**İKAZ**

Güvenlik uyarısı sembolü olmadığına  
Maddi hasarla sonuçlanabilecek bir durumu gösterir.

**BU KILAVUZDAKİ SEMBOLLER**

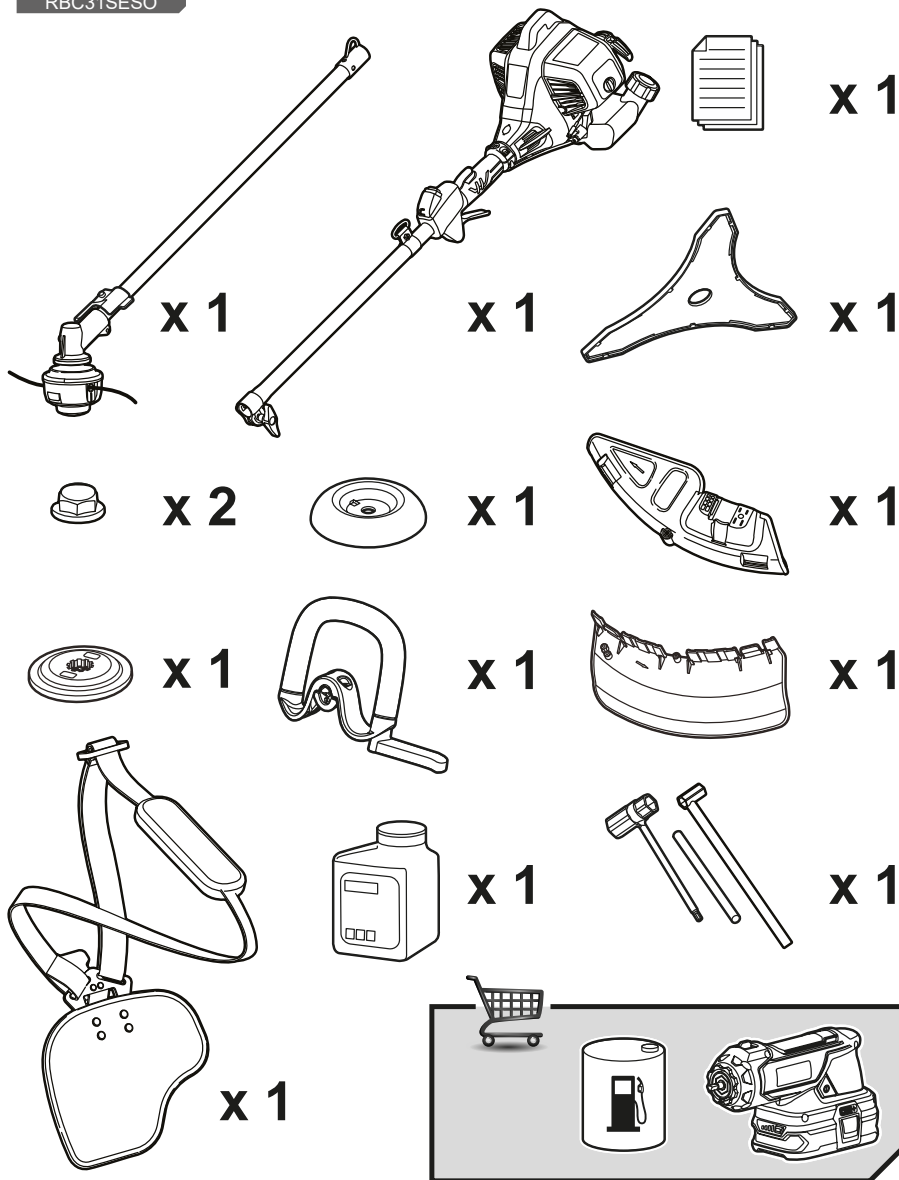


Not

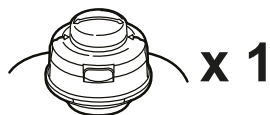
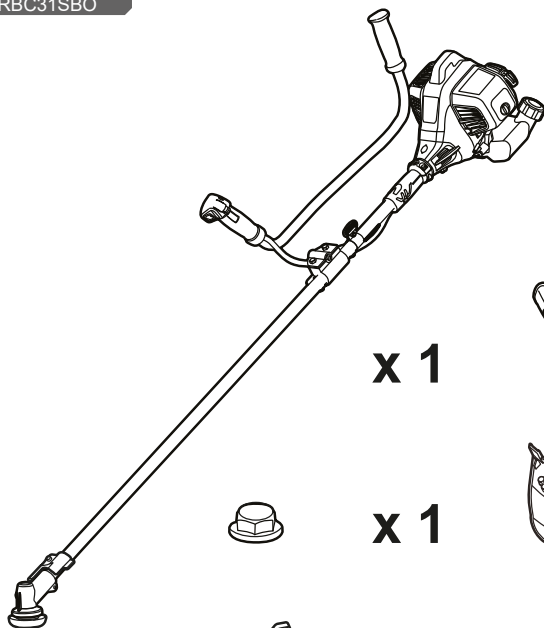


Uyarı

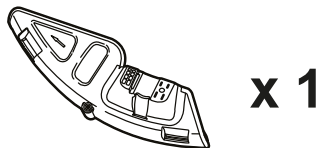
RBC31SESO



RBC31SBO



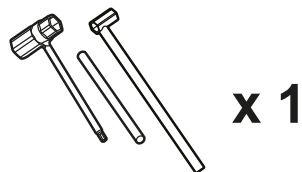
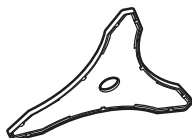
x 1



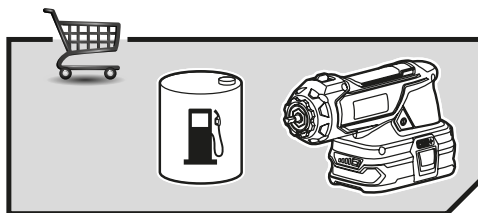
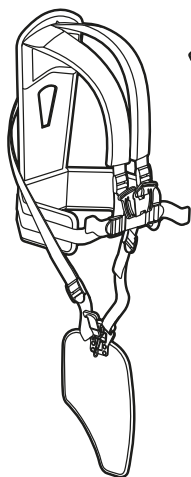
x 1



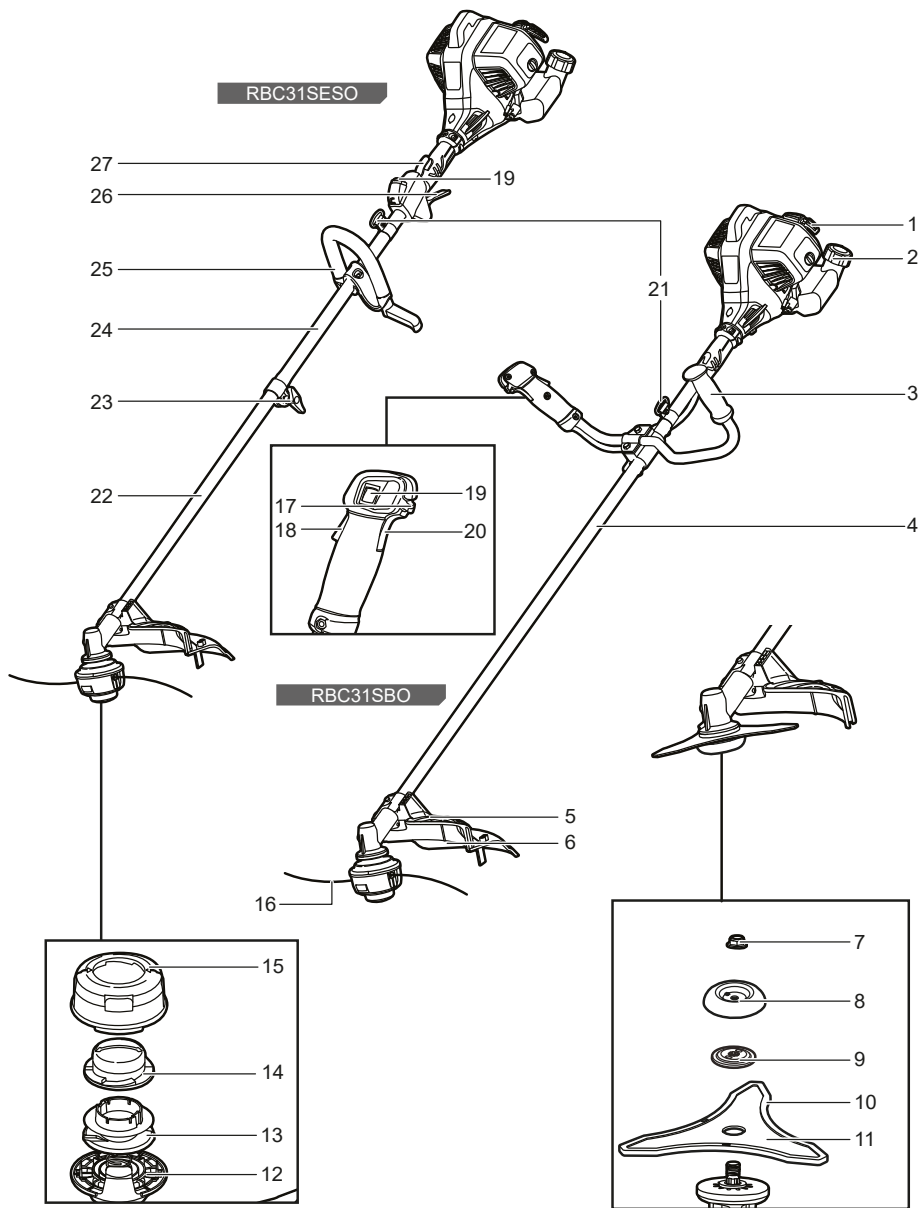
x 1

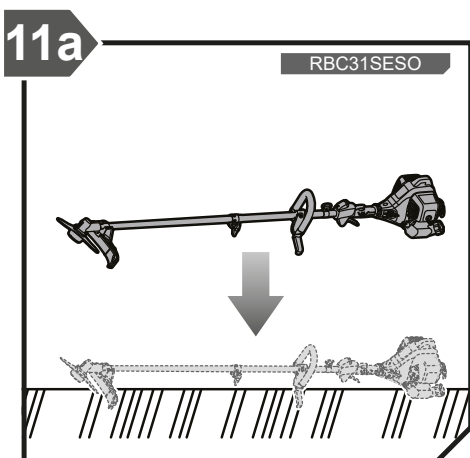
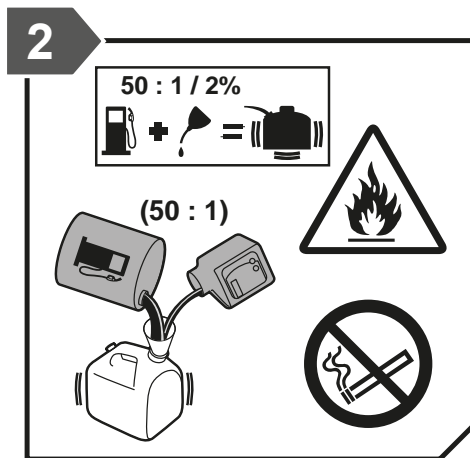
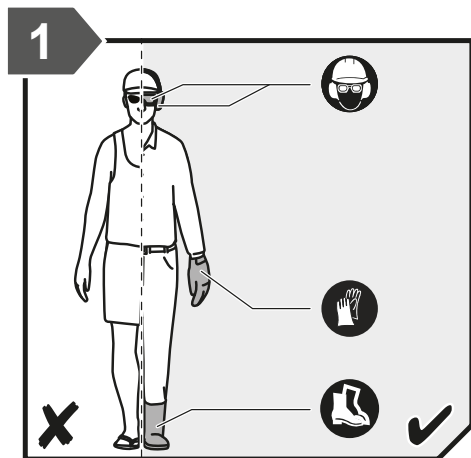


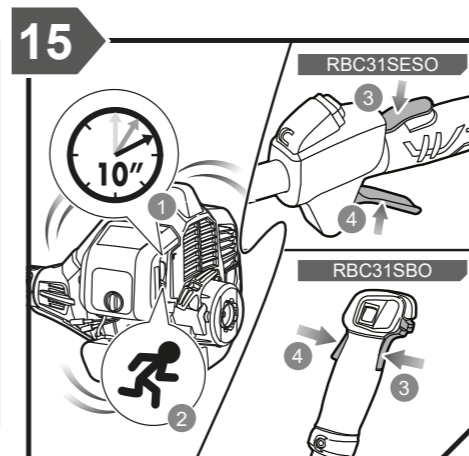
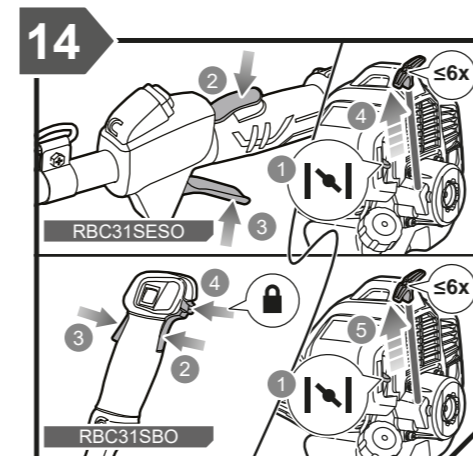
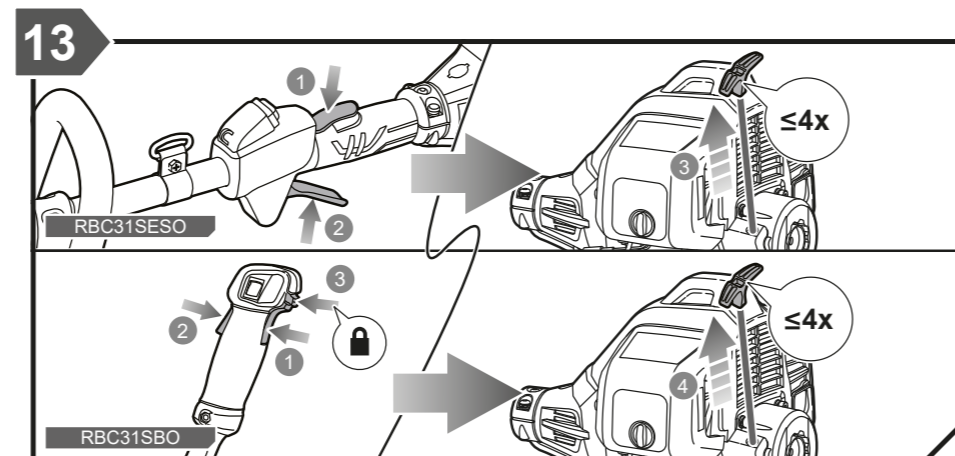
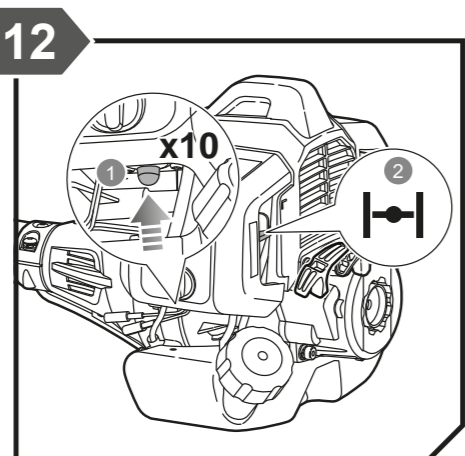
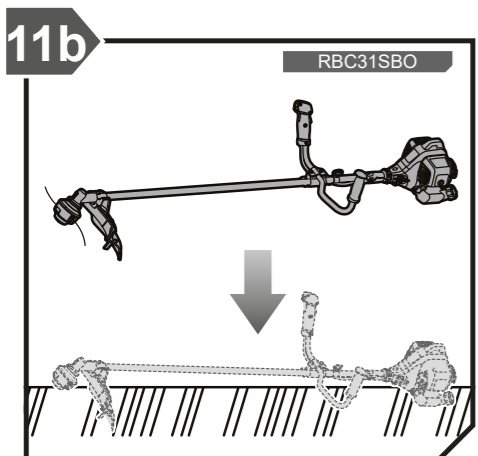
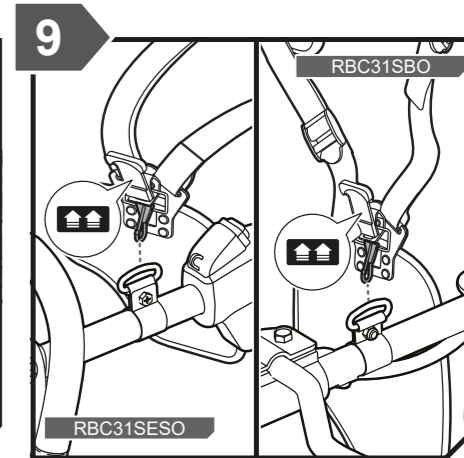
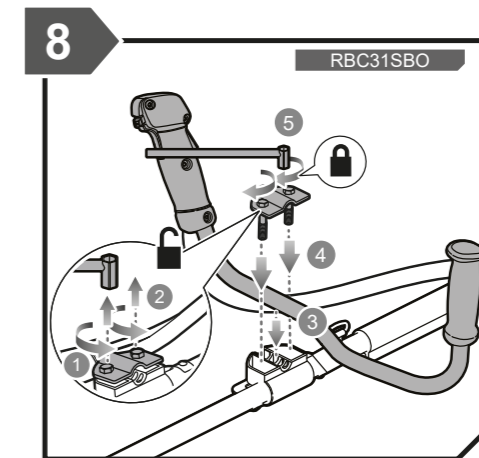
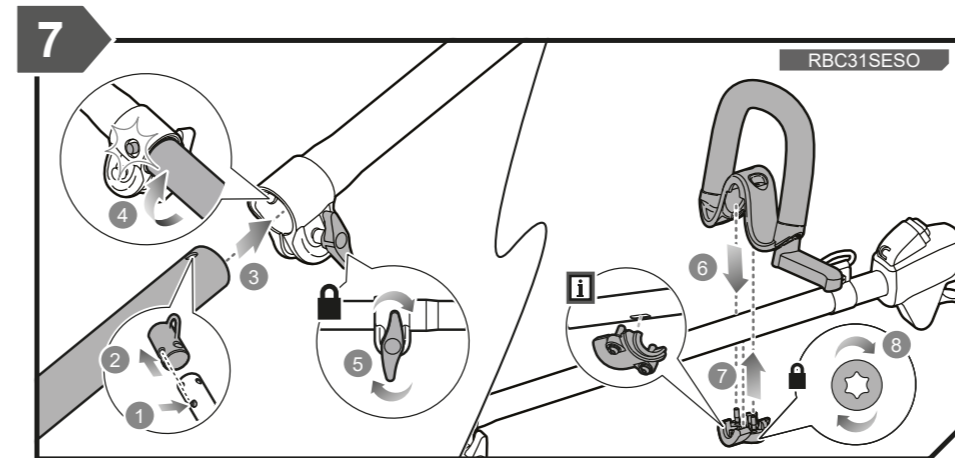
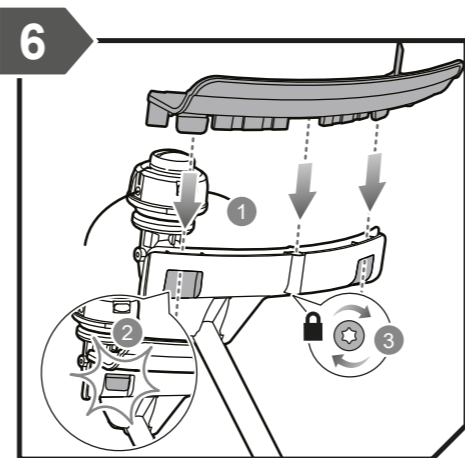
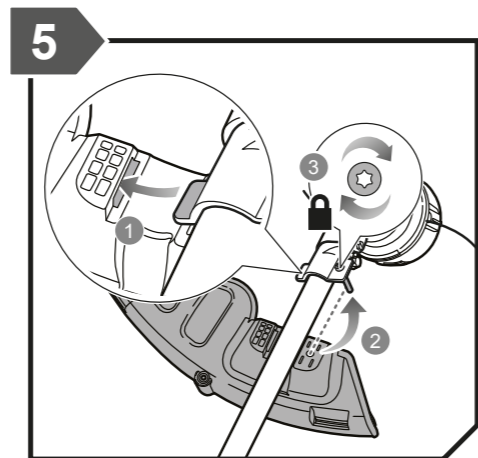
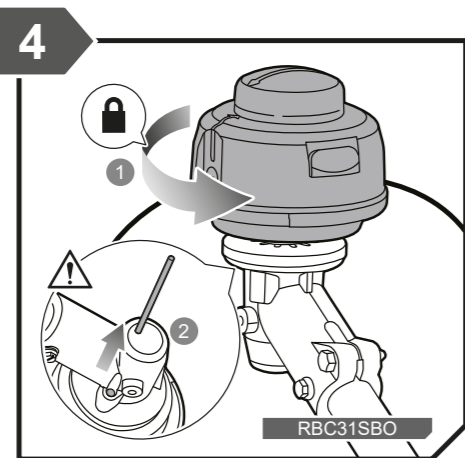
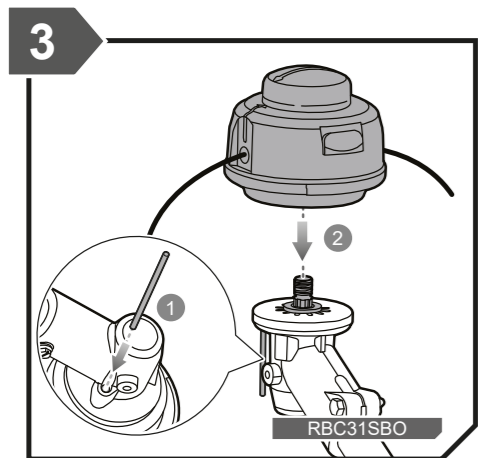
x 1



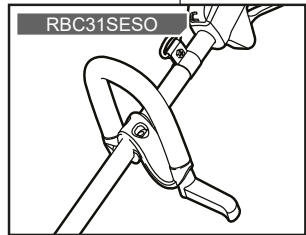
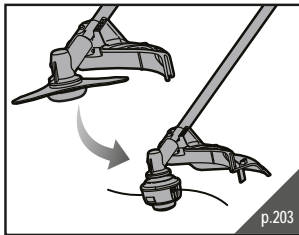
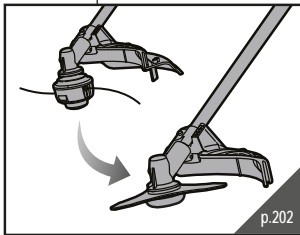
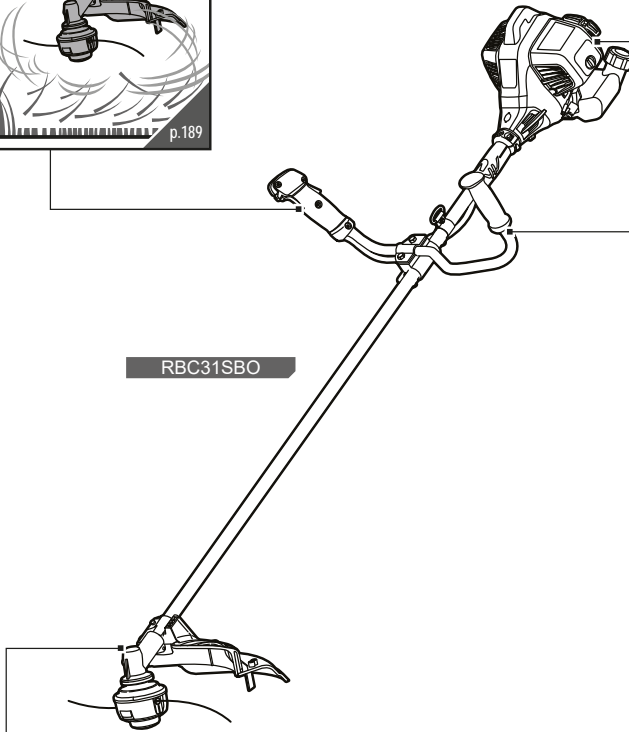
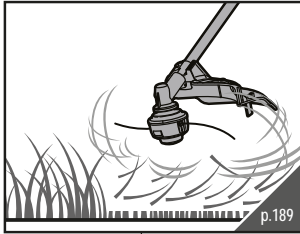
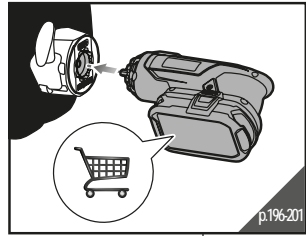
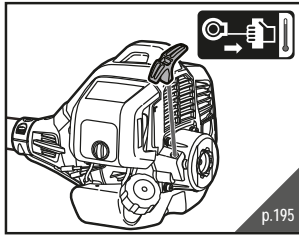
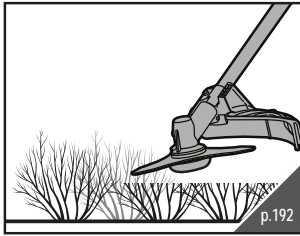


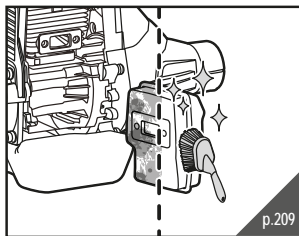
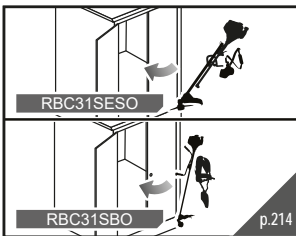
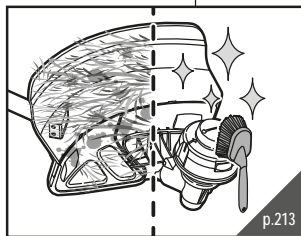
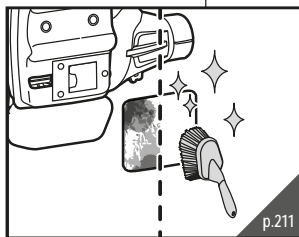
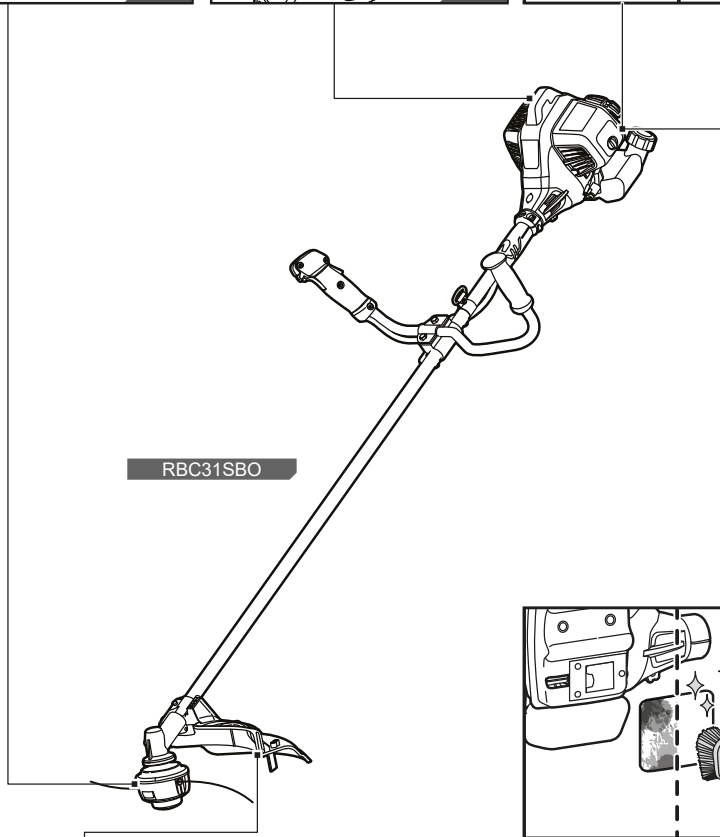
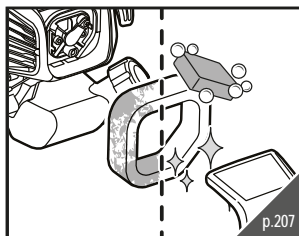
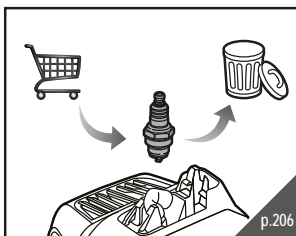
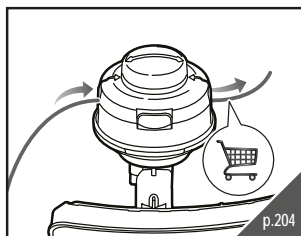


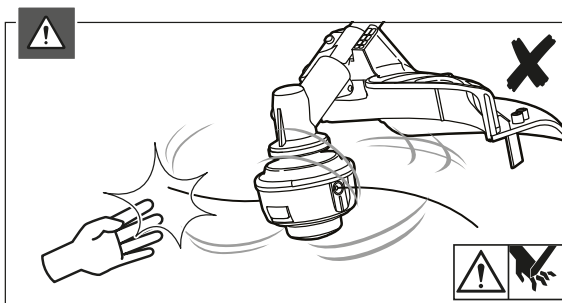
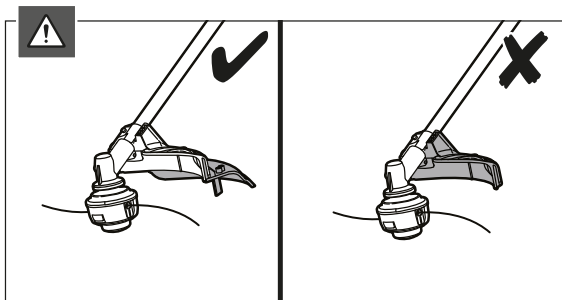
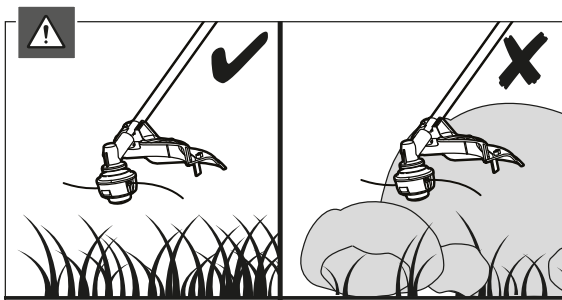
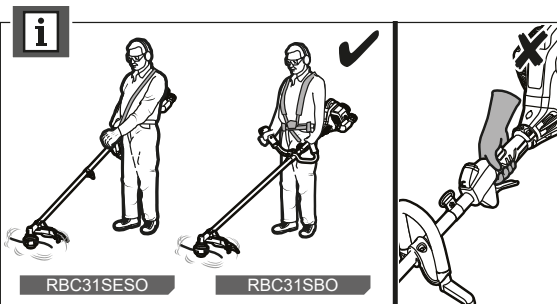
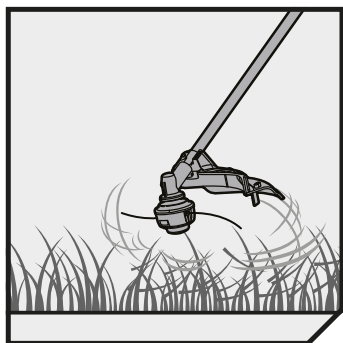


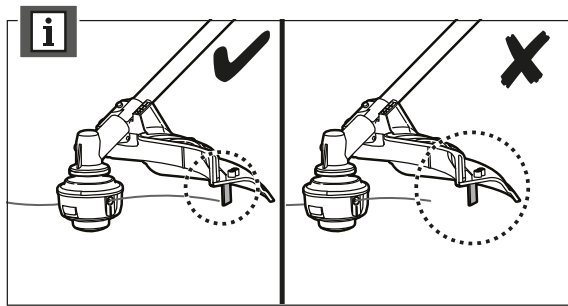
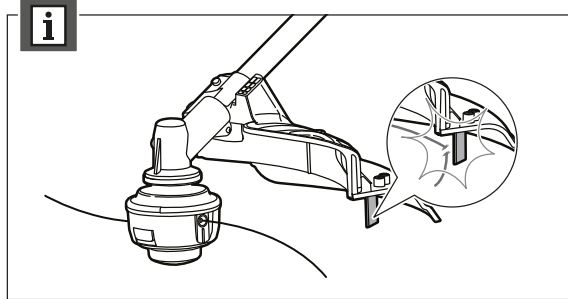
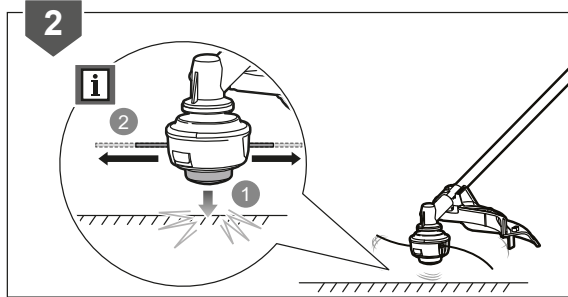
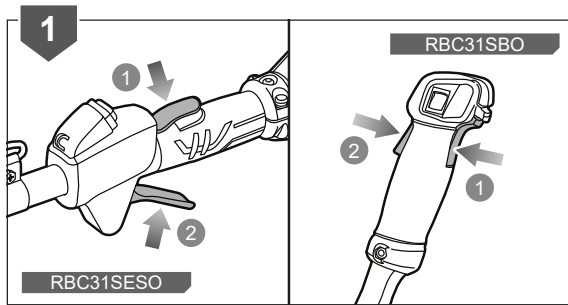




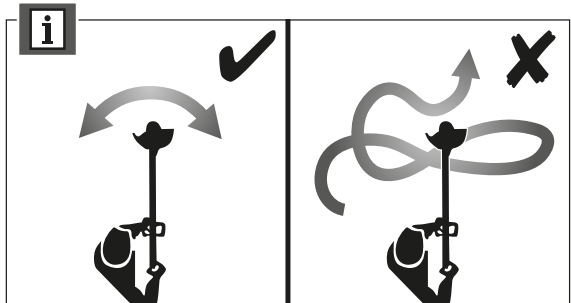
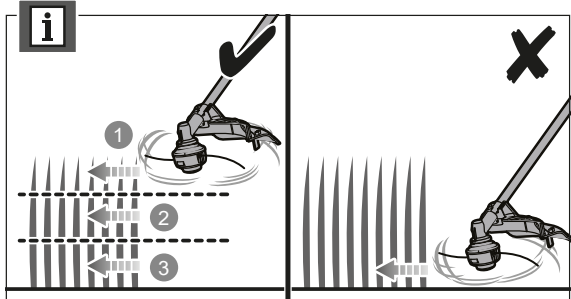
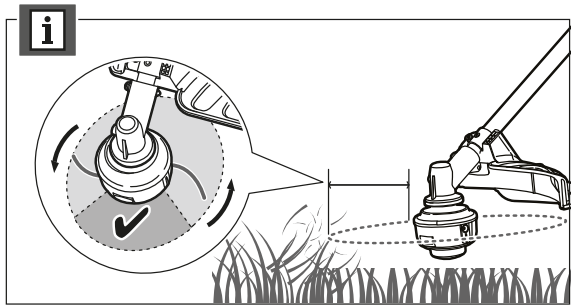


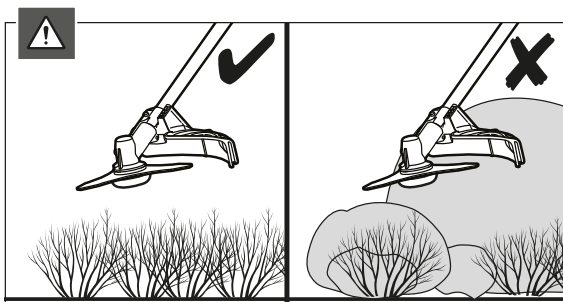
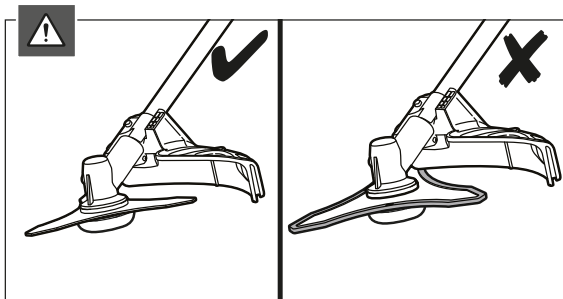
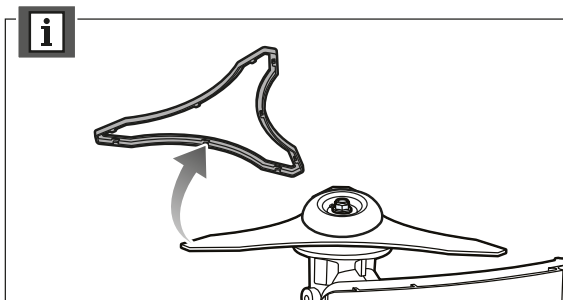
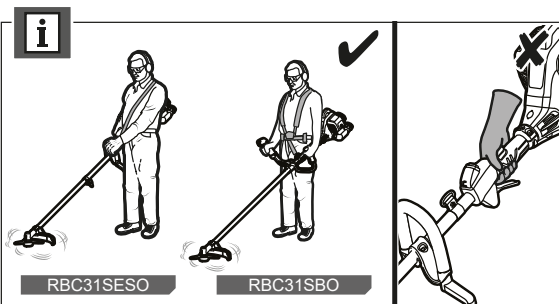


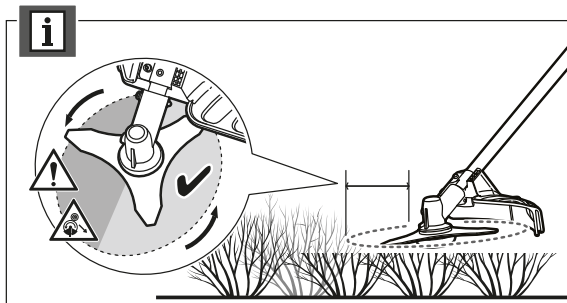
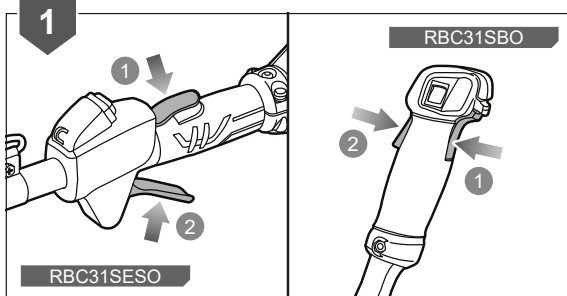
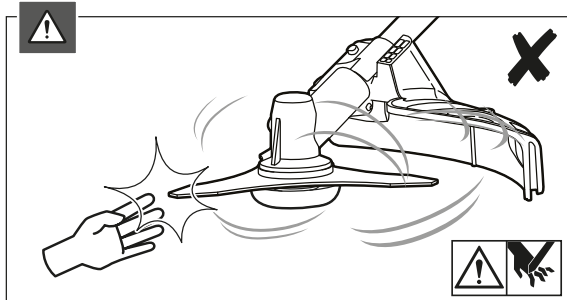
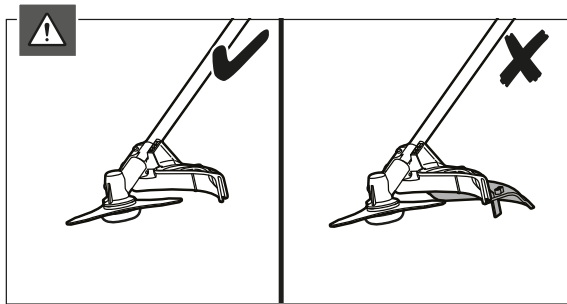


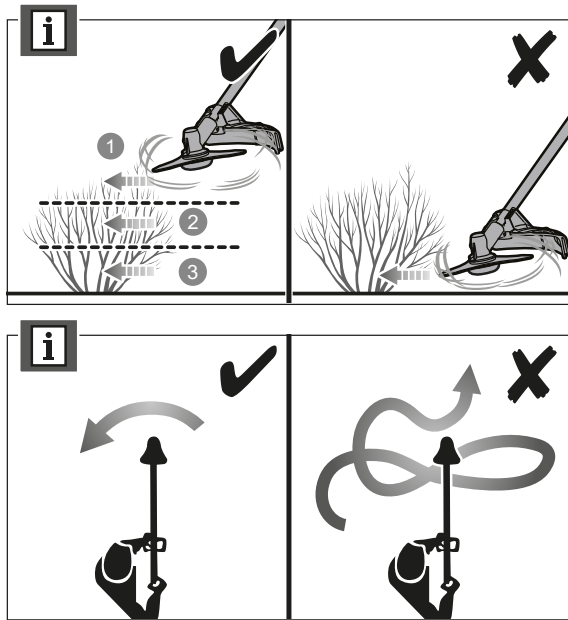


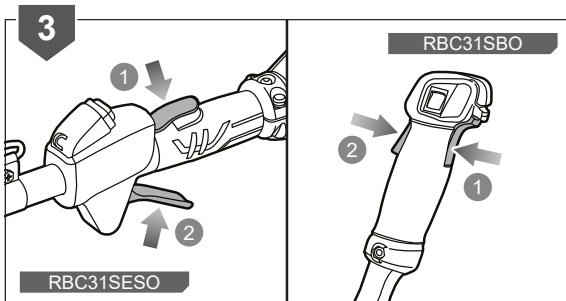
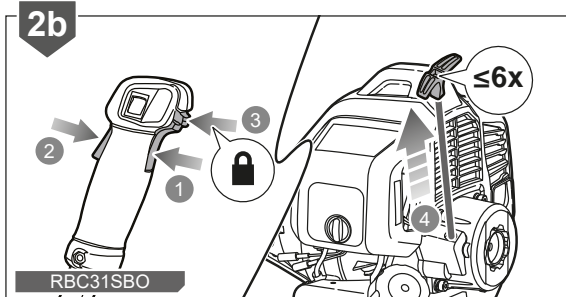
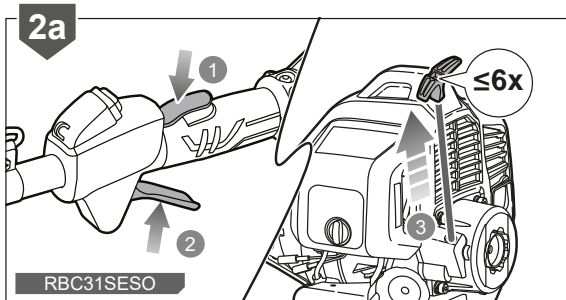
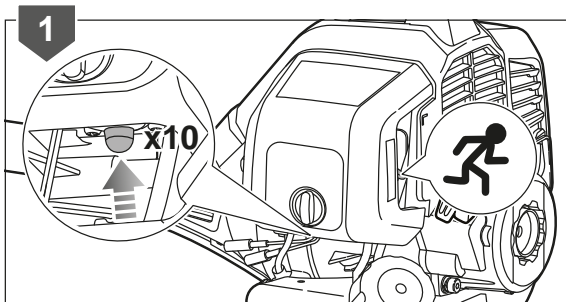
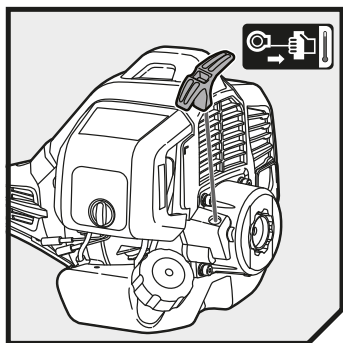


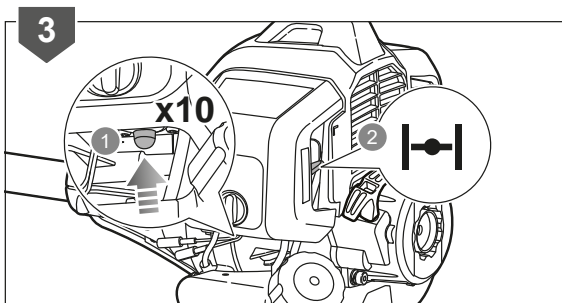
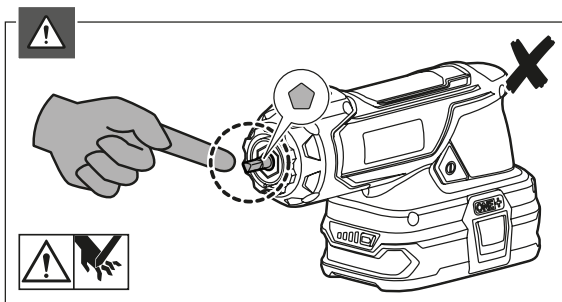
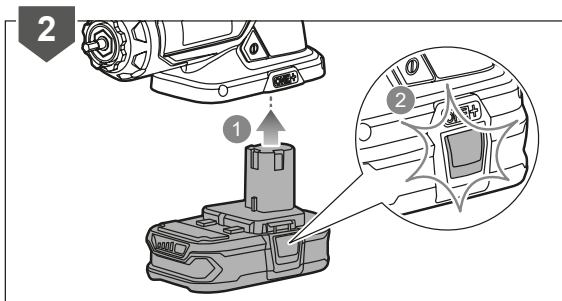
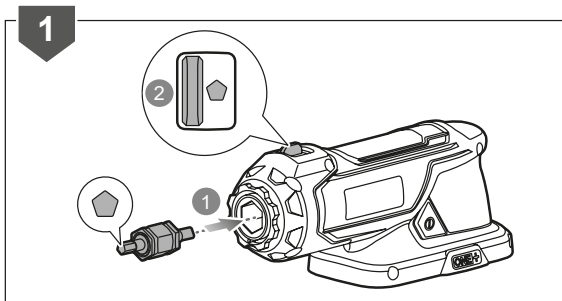
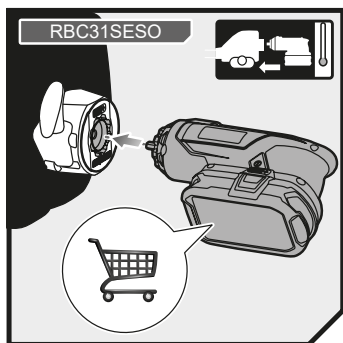


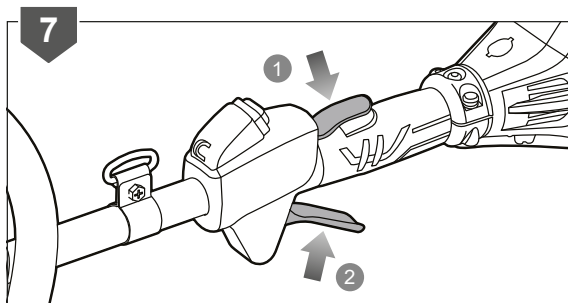
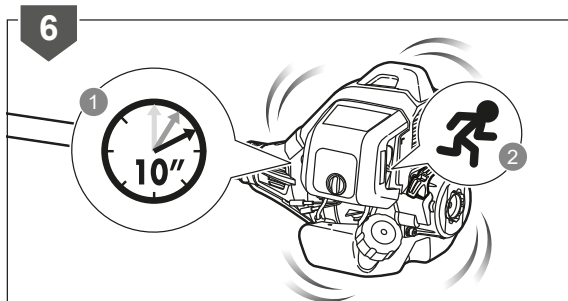
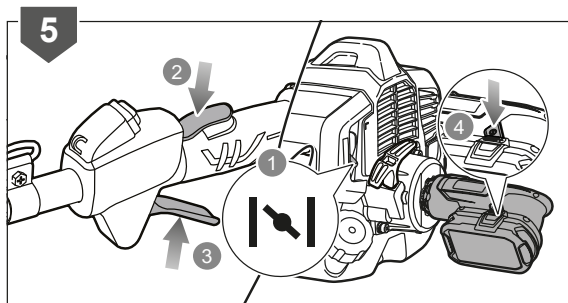
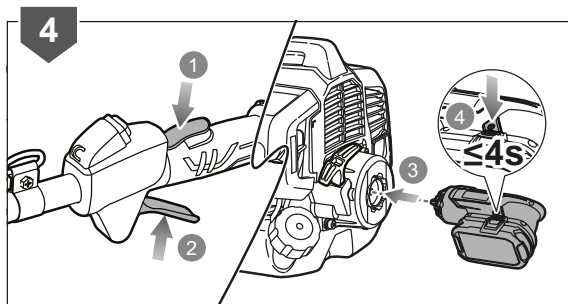


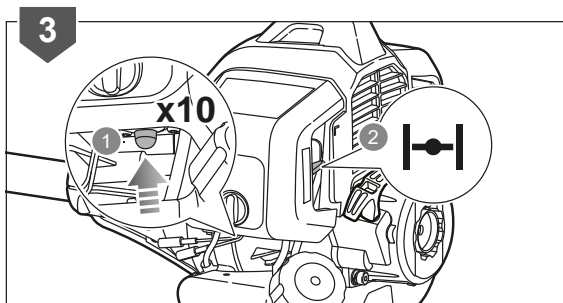
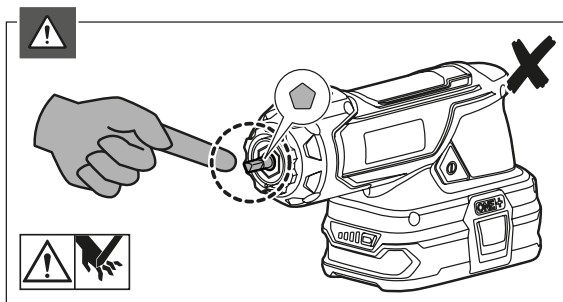
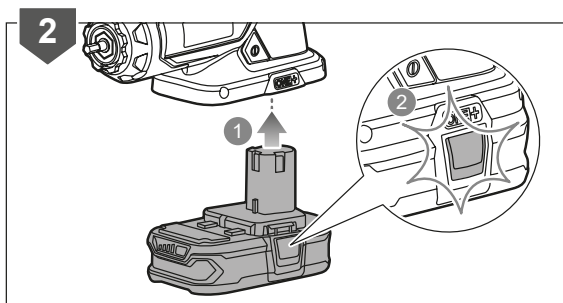
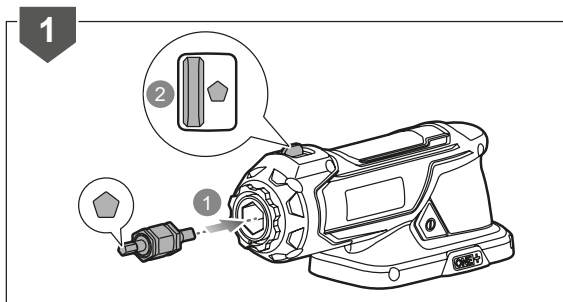
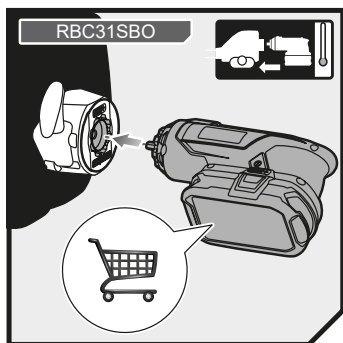




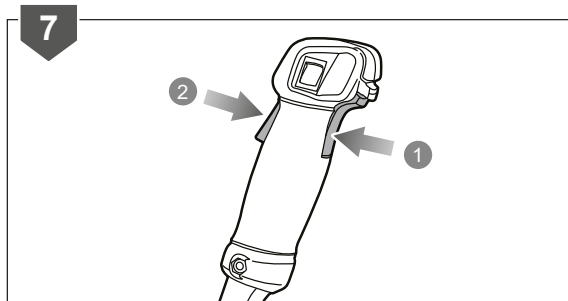
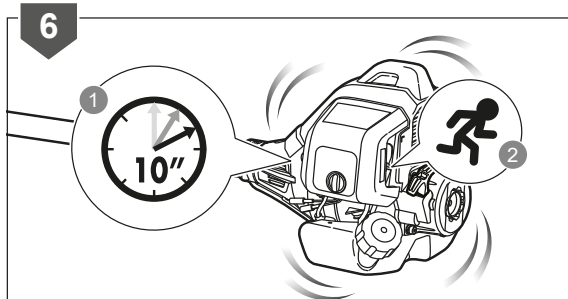
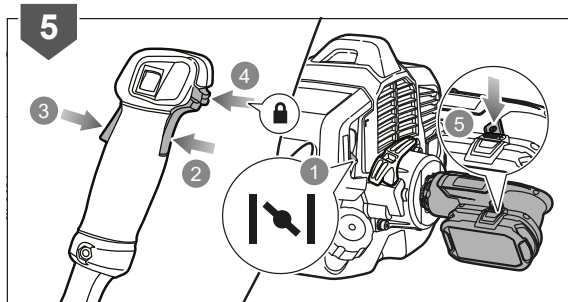
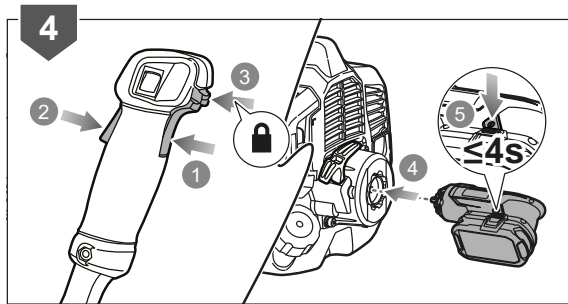


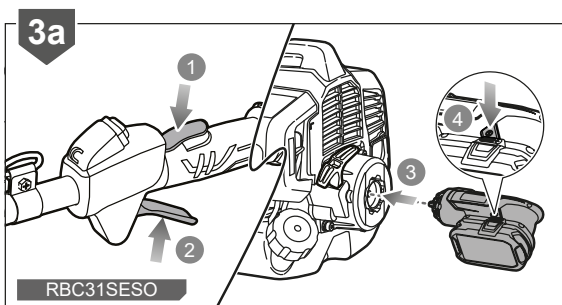
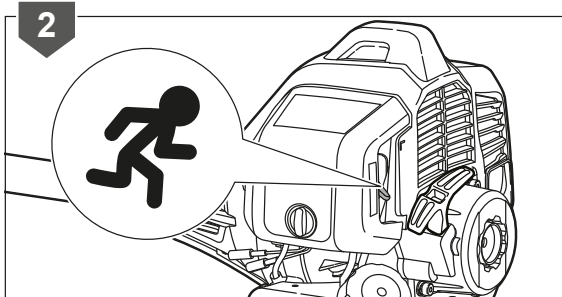
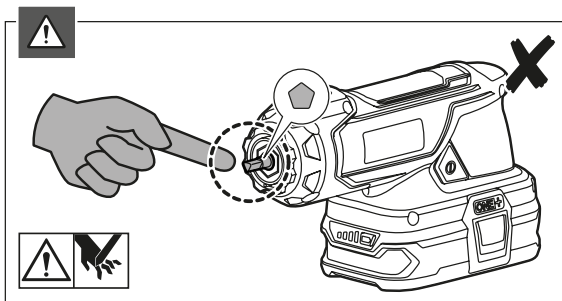
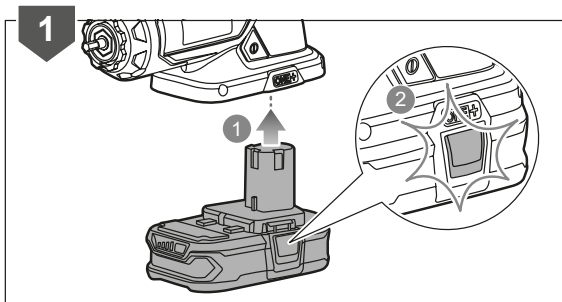
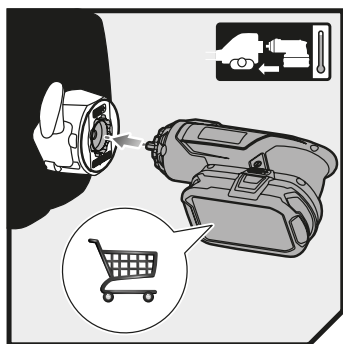


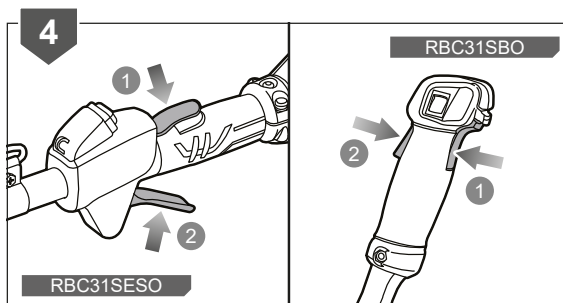
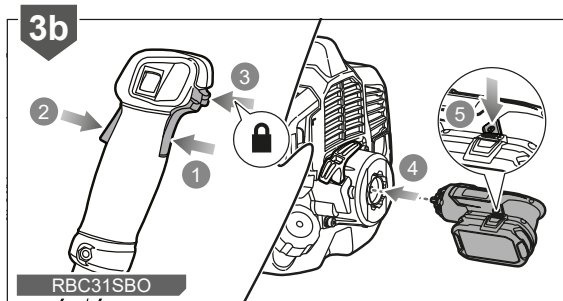


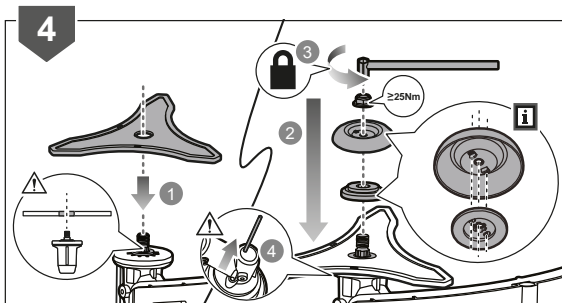
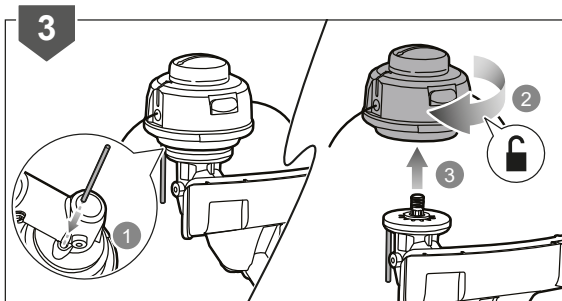
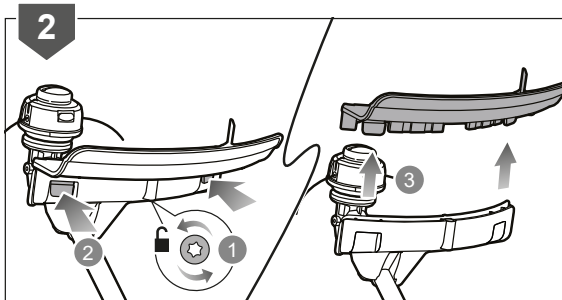
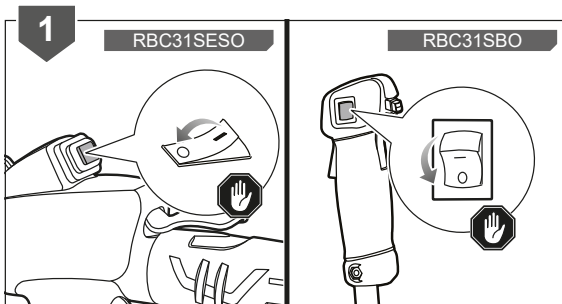
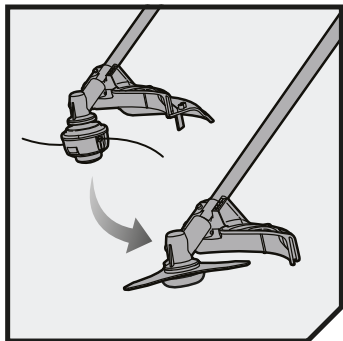


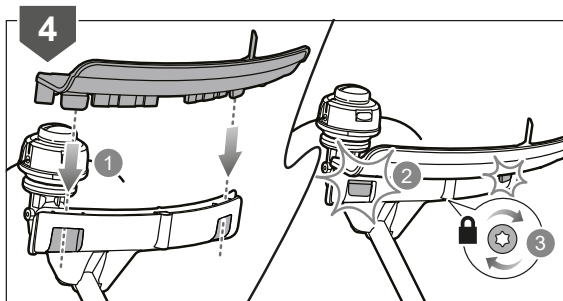
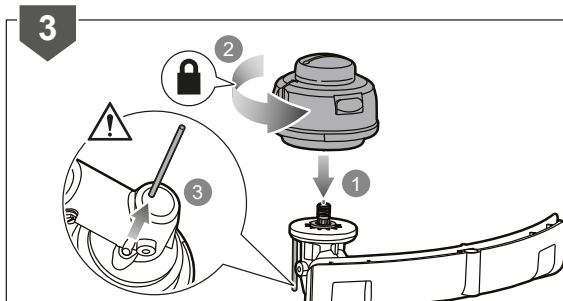
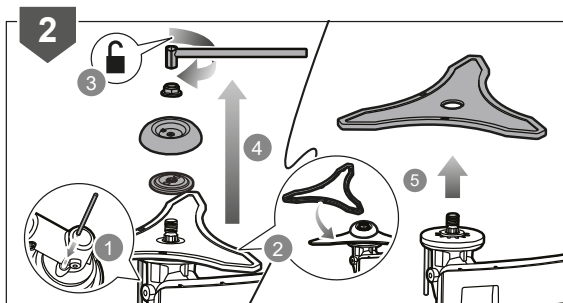
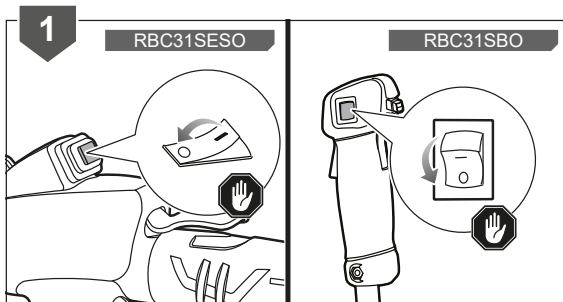
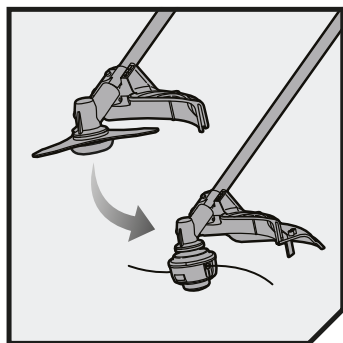


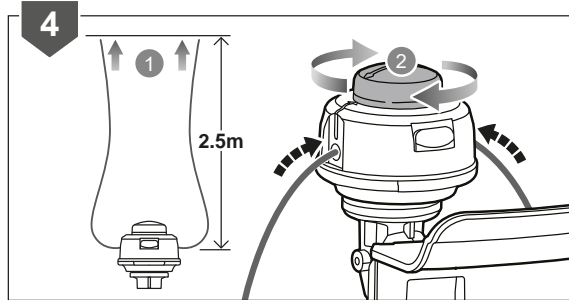
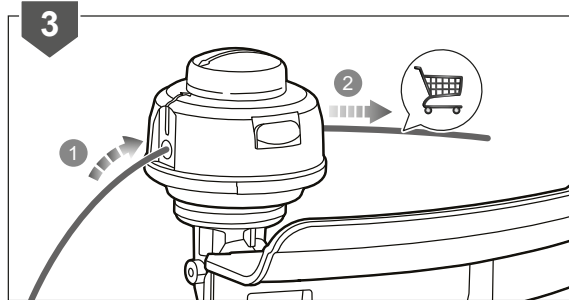
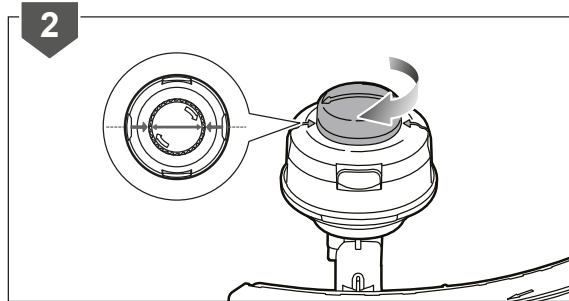
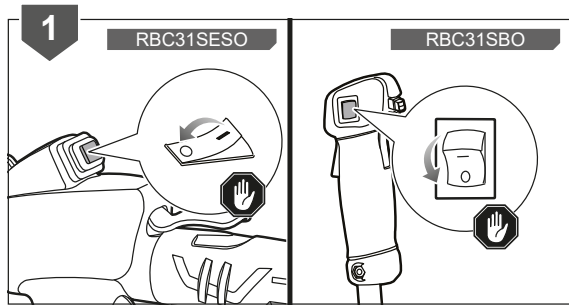
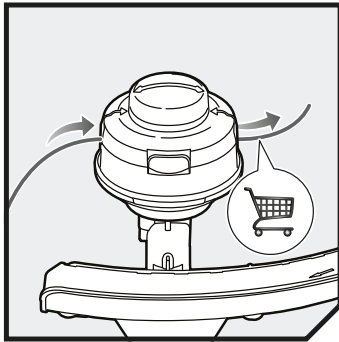


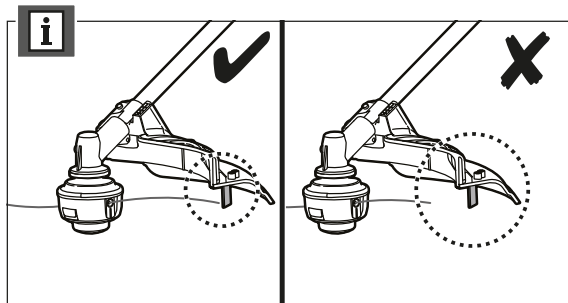
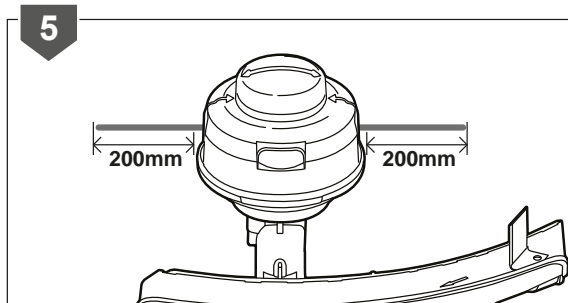


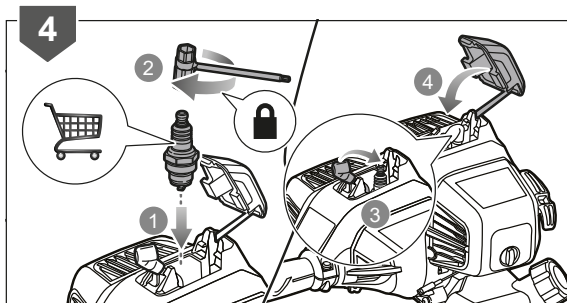
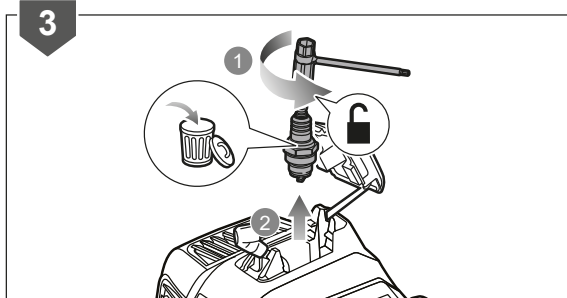
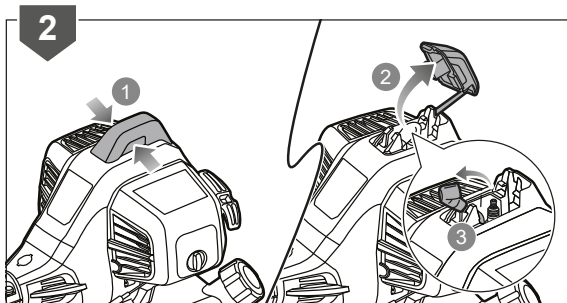
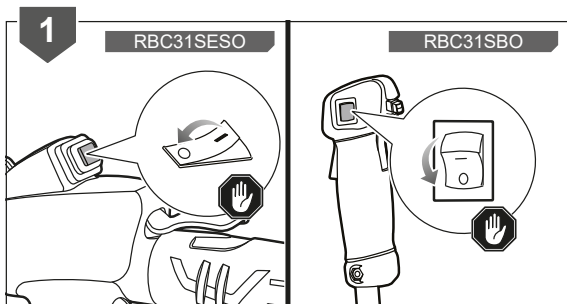
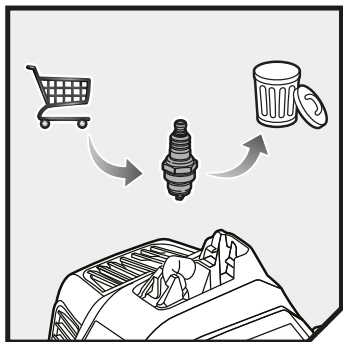




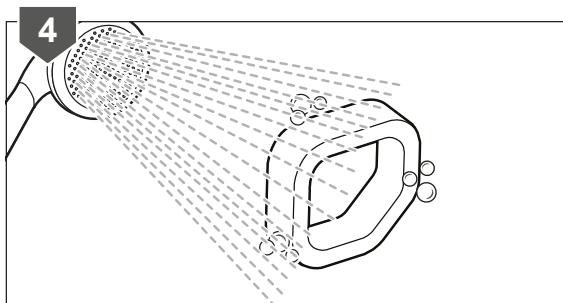
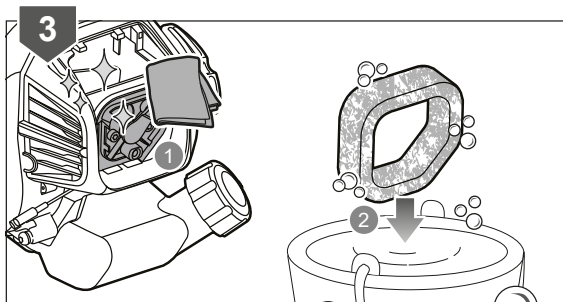
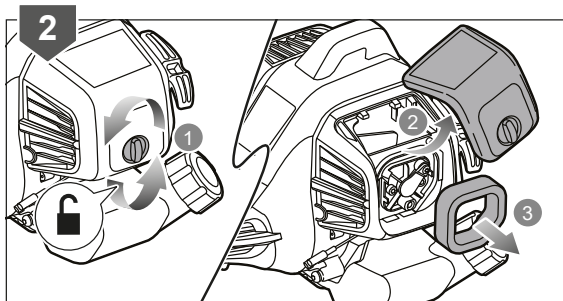
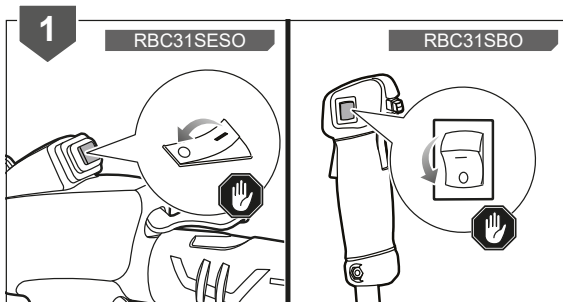
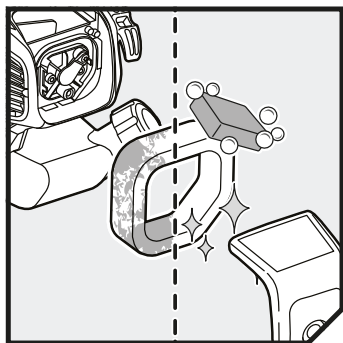


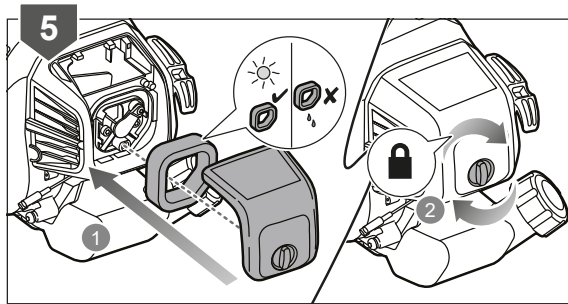


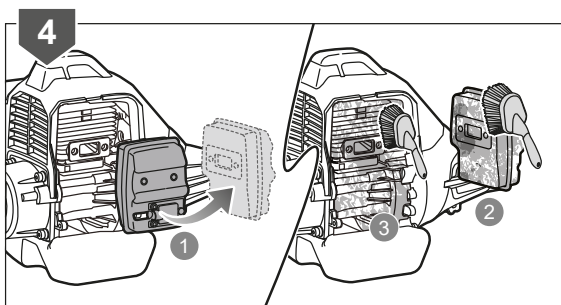
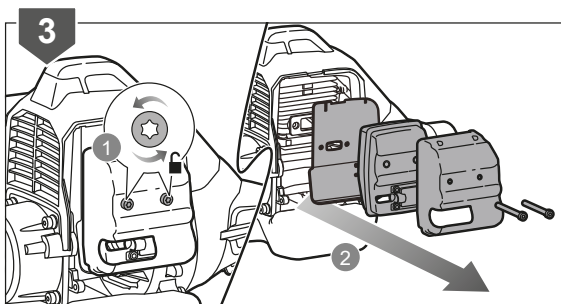
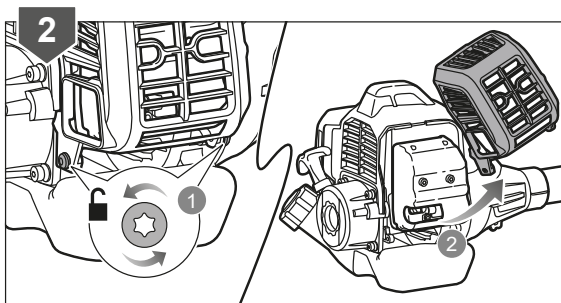
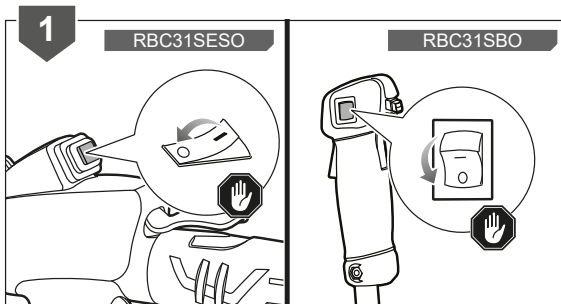
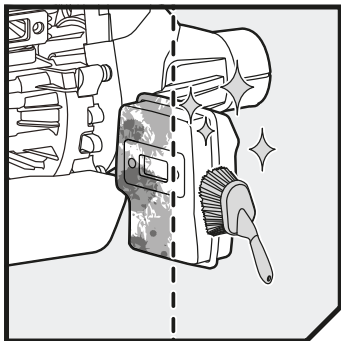


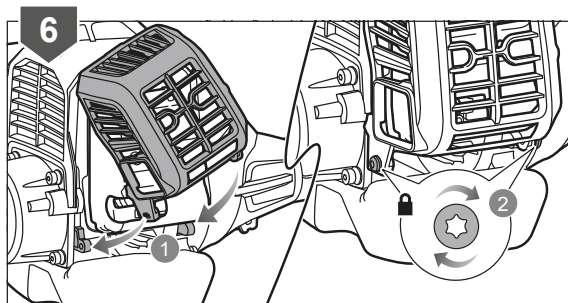
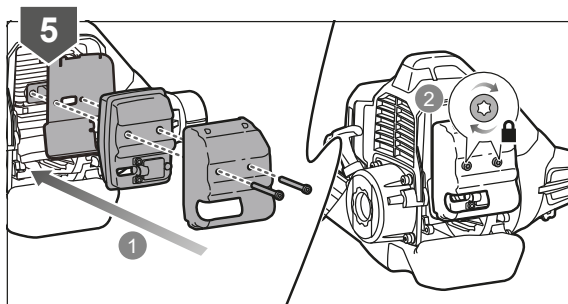


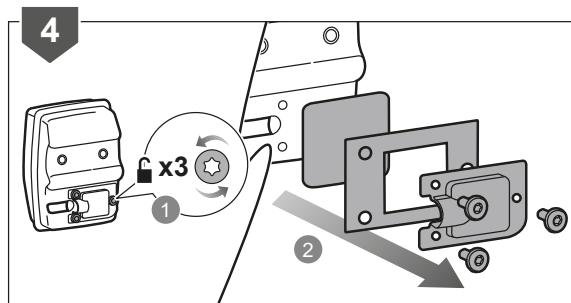
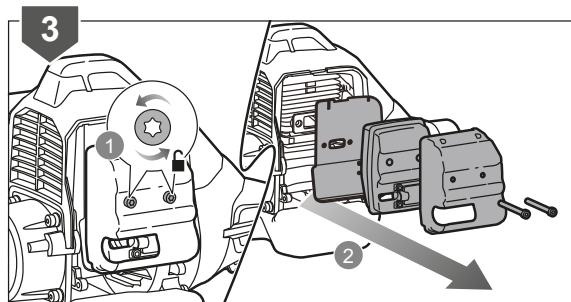
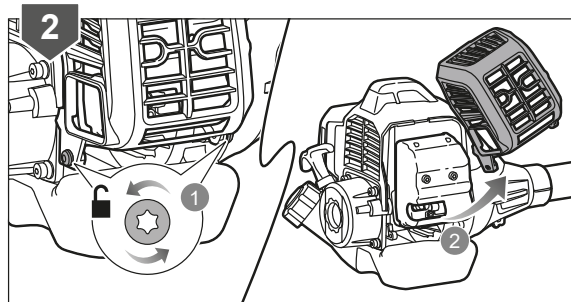
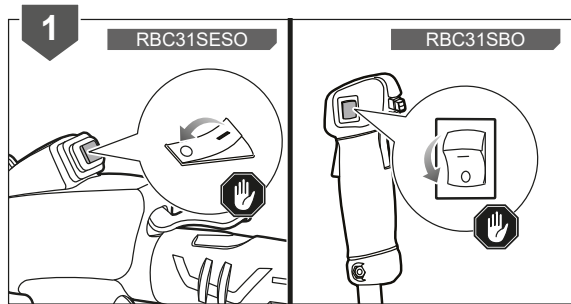
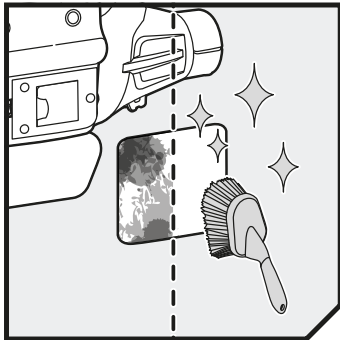


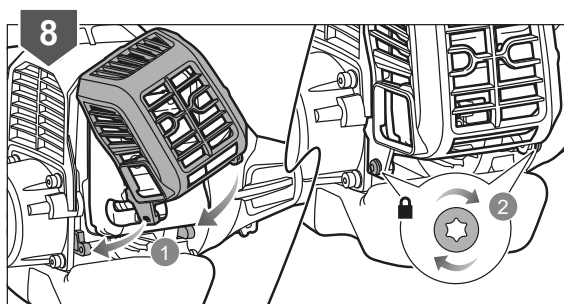
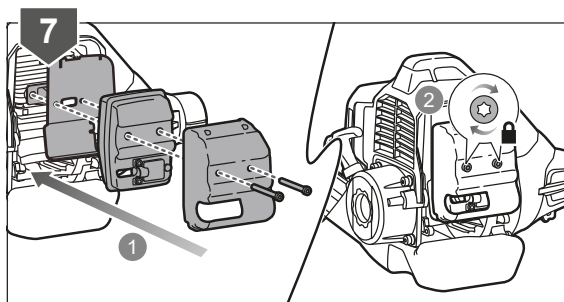
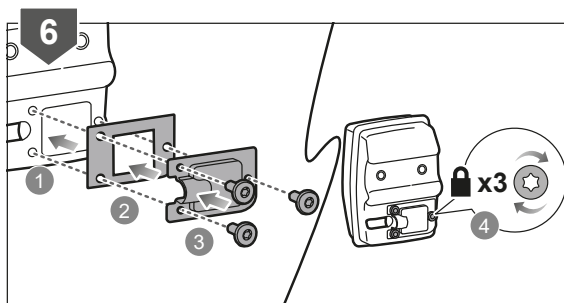
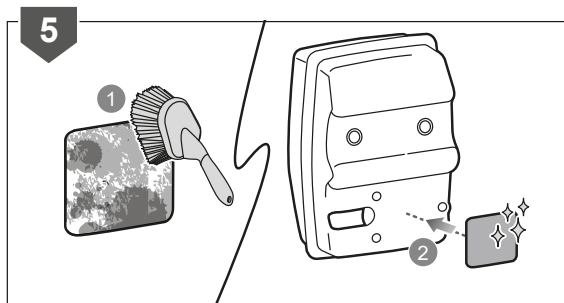


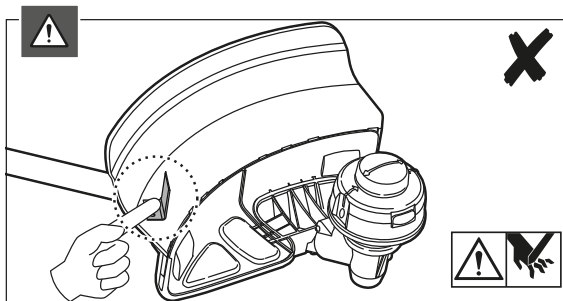
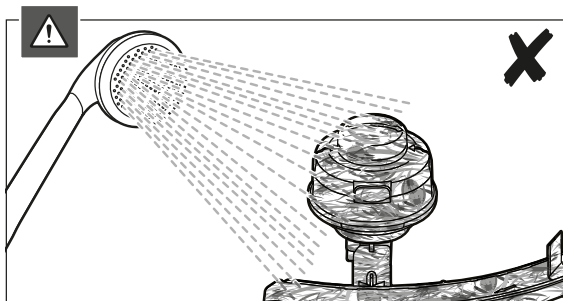
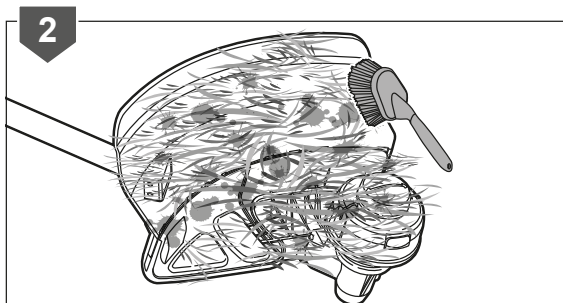
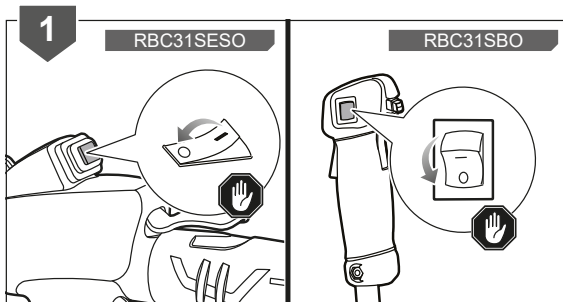
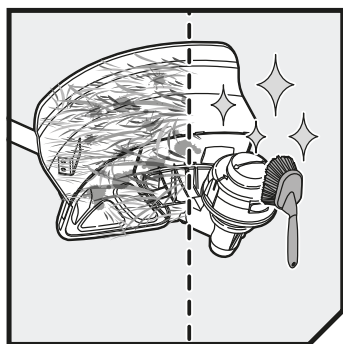


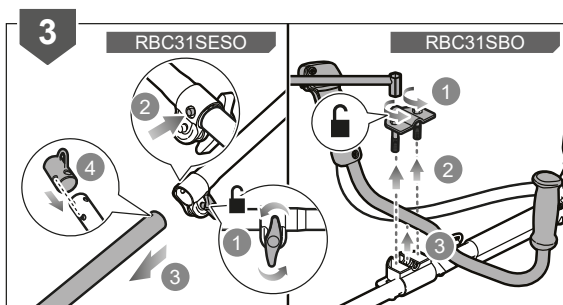
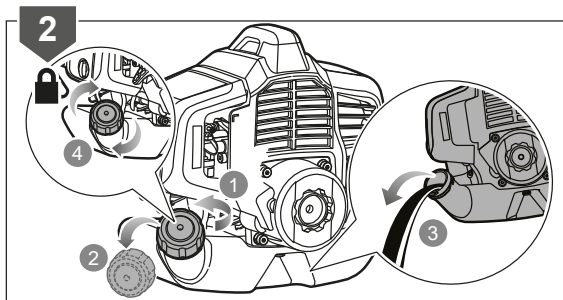
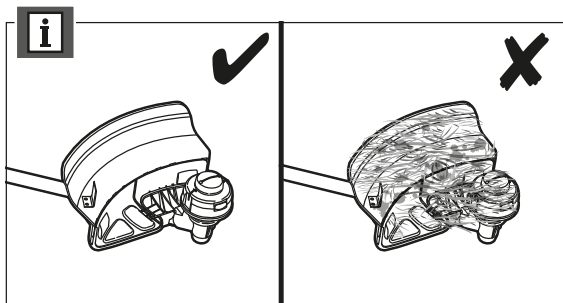
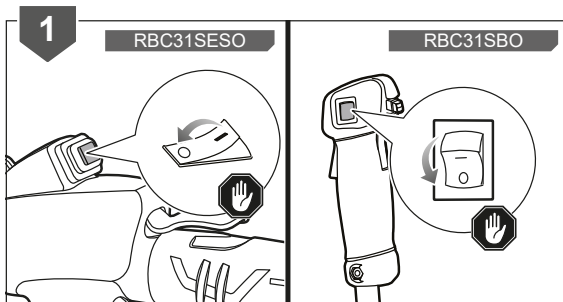
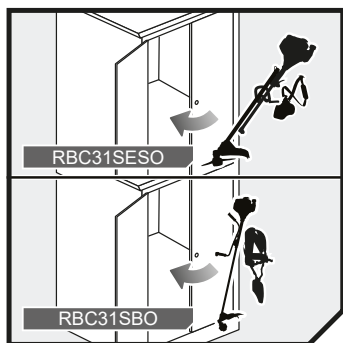




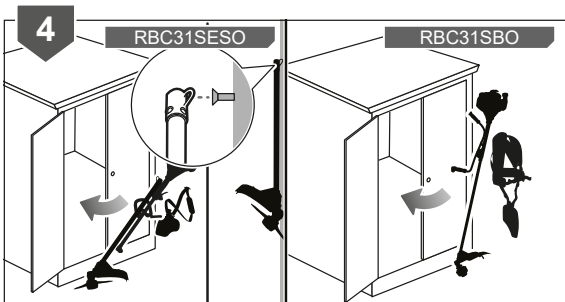
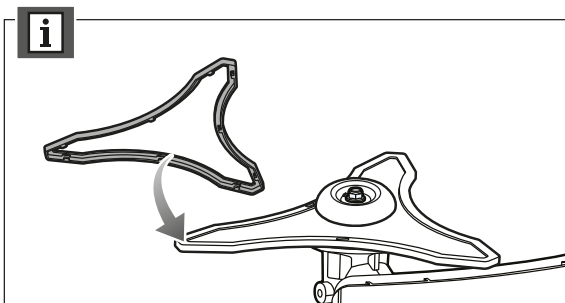












20161205V1




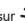

## TROUBLESHOOTING

IF THESE SOLUTIONS DO NOT SOLVE THE PROBLEM, CONTACT AN AUTHORISED SERVICE CENTRE.

Problem	Possible cause	Solution
Engine will not start	1. No spark	1. The spark plug may be damaged. Remove it and check for dirt and cracks. Replace with a new spark plug.
	2. No fuel	2. Push the primer bulb until bulb is full of fuel. If bulb does not fill, the primary fuel delivery system is blocked. Contact an authorised service centre. If the primer bulb fills, the engine may be flooded. Proceed to the next item.
	3. Engine is flooded	3. Remove the spark plug. Turn the product so the spark plug hole is aimed at the ground. Rotate the choke dial to "F" position and then pull the starter cord 10 to 15 times. This will clear the excess fuel from the engine. Remove any fuel splashed on the product. Clean and reinstall the spark plug. Clean any spilled fuel and move at least 9 m away before restarting. Pull the starter three times with choke dial at "F". If the engine does not start, rotate the choke dial to "R" position and then repeat the normal starting procedure. If the engine still fails to start, repeat the procedure with a new spark plug.
	4. Starter rope now harder to pull than when new	4. Contact an authorised service centre.
	5. Old fuel	5. Only use fresh fuel mixed with recommended oil. Fuel over 30 days old may prevent the product from starting.
Engine starts but will not accelerate	Engine requires approximately three minutes to warm up	Allow the engine to completely warm up. If engine does not accelerate after three minutes, an authorised service centre.
Engine starts but will only run at high speed at half choke	Carburetor requires adjustment	Contact an authorised service centre.
Engine does not reach full speed and emits excessive smoke.	1. Check the lubricant fuel mixture	1. Use fresh fuel and the correct 2-stroke lubricant mix.
	2. Air filter is dirty	2. Clean air filter. Refer to "Cleaning the Air Filter" in this manual.
	3. Spark arrestor screen is dirty	3. Contact an authorised service centre.
Engine starts, runs, and accelerates but will not idle	Idle speed screw on carburetor requires adjustment	Contact an authorised service centre.
Line will not advance	1. Line is welded to itself	1. Lubricate with silicone spray.
	2. Not enough line on the spool	2. Install more line. Refer to "Line Replacement" in this manual.
	3. Line is worn too short	3. Pull the lines while alternately pressing down on and releasing the bump head.
	4. Line is tangled on spool	4. Remove the line from the spool and rewind. Refer to "Line Replacement" in this manual.
	5. Engine speed is too slow	5. Advance the line at full throttle.
Grass wraps round shaft housing and bump head	1. Cutting tall grass at ground level	1. Cut tall grass from the top down.
	2. Operating the product at part throttle	2. Operate the product at full throttle.
Bump knob hard to turn	Screw threads are dirty or damaged	Clean the threads and lubricate with grease. If there is no improvement, replace the bump knob.
Lubricant drips from muffler	1. Operating the product at part throttle.	1. Operate the product at full throttle.
	2. Lubricant/fuel mixture is dirty	2. Use fresh fuel and correct synthetic 2-stroke lubricant mix.
	3. Air filter is dirty	3. Clean the air filter per instruction in "Maintenance" section.



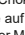
## GUIDE DE DÉPANNAGE

SI CES SOLUTIONS NE RÉSOLVENT PAS LE PROBLÈME, CONTACTEZ VOTRE SERVICE APRÈS-VENTE AGRÉÉ.

Problème	Cause possible	Solution
Le moteur ne démarre pas.	1. Pas d'étincelle.	1. L'ampoule peut être endommagée. La retirer et vérifier du point de vue de la saleté et des craquelures. Remplacez avec une nouvelle bougie d'allumage.
	2. Pas de carburant	2. Appuyez sur la poire d'amorçage jusqu'à ce qu'elle est remplie. Si la poire ne se remplit pas, le système principal d'alimentation de carburant est bloqué. Contactez un réparateur agréé. Si la poire d'amorçage remplie, il se peut que le moteur soit noyé. Passer au paragraphe suivant.
	3. Le moteur est noyé.	3. Retirez la bougie. Tourner le produit de sorte à ce que le trou de la bougie soit orienté vers le sol. Faites tourner le cadran du starter sur la position  et tirez sur le cordon du starter de 10 à 15 fois. Ceci purgera l'excès d'essence du moteur. Vidangez toute essence présente dans le produit. Nettoyez et remontez la bougie. Nettoyer tout carburant renversé et se déplacer d'au moins 9 m avant de redémarrer l'appareil. Tirez sur le starter trois fois avec le cadran du starter sur  . Si le moteur ne démarre pas, faire tourner le levier d'étrangement en position  et recommencer la procédure normale de démarrage. Si le moteur ne démarre toujours pas, répétez ces différentes étapes avec une bougie neuve.
	4. Il est maintenant plus difficile de tirer sur la corde de l'accélérateur qu'il est neuf.	4. Contactez un réparateur agréé.
	5. Vieille essence.	5. N'utilisez que de l'essence récente mélangée avec le lubrifiant recommandé. Un carburant vieux de plus de 30 jours peut empêcher l'appareil de démarrer.
Le moteur démarre mais n'accélère pas.	Le moteur prend approximativement trois minutes pour être chaud.	Laissez le moteur complètement se réchauffer. Si le moteur n'accélère pas après trois minutes, contactez un réparateur.
Le moteur démarre mais tourne à pleine vitesse uniquement à demi-starter.	Il faut régler le carburateur.	Contactez un réparateur agréé.
Le moteur n'atteint pas son plein régime et/ou dégage de la fumée en excès.	1. Vérifiez le mélange de carburant.	1. Utilisez un carburant récemment mélangé contenant la bonne proportion d'huile à 2 temps.
	2. Le filtre à air est sale.	2. Nettoyez le filtre à air. Se reporter au chapitre "Nettoyer le filtre à air" dans ce manuel.
	3. La grille pare-étincelles est sale.	3. Contactez un réparateur agréé.
Le moteur démarre, tourne et accélère mais ne tient pas le ralenti.	La vis du ralenti sur le carburateur doit être ajustée.	Contactez un réparateur agréé.
Le fil n'avance plus.	1. Fil entortillé sur lui-même.	1. Lubrifiez avec spray au silicone.
	2. Pas assez de fil sur la bobine.	2. Installez plus de fil. Se reporter au chapitre "Remplacement de cordon" de ce manuel.
	3. Fil usé trop court.	3. Tirez les fils tout effectuant alternativement une pression sur la tête de contact au sol et un relâchement.
	4. Fil emmêlé sur la bobine.	4. Retirez le fil de la bobine et rembobinez. Se reporter au chapitre "Remplacement de cordon" de ce manuel.
	5. La vitesse du moteur est trop lente.	5. Faites avancer le fil à pleine vitesse.
De l'herbe est enroulée autour du boîtier de l'arbre et de la tête de contact	1. Découper les herbes hautes au niveau du sol	1. Couper l'herbe haute par le haut.
	2. Faire fonctionner le produit en charge partielle	2. Utilisez toujours le produit plein gaz.
Bouton de contact difficile à tourner	Les filetages de vis sont sales ou endommagés	Nettoyer les filetages et lubrifier avec de la graisse. S'il n'y a pas d'amélioration, remplacer le bouton de contact.
Du lubrifiant goutte du silencieux	1. Faire fonctionner le produit en charge partielle	1. Utilisez toujours le produit plein gaz.
	2. Mélange lubrifiant/carburant est sale	2. Utiliser un carburant propre et un mélange correct de lubrifiant synthétique à 2 temps.
	3. Le filtre à air est sale.	3. Nettoyage en respect du chapitre sur la maintenance



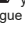
## FEHLERBEHEBUNG

FALLS DIESE LÖSUNGEN DAS PROBLEM NICHT KLÄREN, KONTAKTIEREN SIE IHREN AUTORISIERTEN KUNDENDIENST.

Problem	Mögliche Ursache	Lösung
Motor springt nicht an.	1. Kein Zündfunke.	1. Die Zündkerze könnte beschädigt sein. Entfernen Sie sie und prüfen Sie auf Schmutz oder Risse. Ersetzen durch eine neue Zündkerze.
	2. Kein Treibstoff	2. Drücken Sie die Einspritzpumpe, bis sie mit Kraftstoff gefüllt ist. Wenn die Einspritzpumpe sich nicht füllt, ist das primäre Kraftstofffördersystem blockiert. Kontaktieren Sie einen autorisierten Kundendienst. Wenn der Pumpball sich füllt, kann der Motor überflutet werden. Weiter zum nächsten Punkt.
	3. Der Motor ist überflutet.	3. Die Zündkerze herausnehmen. Drehen Sie das Produkt so, dass die Zündkerzenöffnung nach unten zeigt. Drehen Sie die Choke-Drehscheibe auf  und ziehen Sie das Starter-Seil 10 bis 15 mal. Dadurch wird überschüssiger Kraftstoff aus dem Motor entfernt. Entfernen Sie den Kraftstoff aus dem Produkt. Reinigen Sie die Zündkerze und setzen Sie sie wieder ein. Entfernen Sie verschütteten Kraftstoff und nehmen Sie einen Neustart mindestens 9 m von dieser Stelle entfernt vor. Betätigen Sie den Starter-Seil dreimal und stellen sie den Choke auf  ein. Wenn der Motor nicht startet, drehen Sie die Choke-Drehscheibe auf die  Position und wiederholen Sie dann den normalen Startvorgang. Wenn der Motor noch immer nicht anspringt, den Vorgang mit einer neuen Zündkerze wiederholen.
	4. Das Starterseil lässt sich jetzt schwerer ziehen als nach dem Kauf.	4. Kontaktieren Sie einen autorisierten Kundendienst.
	5. Alter Kraftstoff.	5. Verwenden Sie nur frischen und mit dem empfohlenen Öl gemischten Kraftstoff. Kraftstoff der älter als 30 Tage ist, kann verhindern, dass das Gerät startet.
Der Motor startet, beschleunigt aber nicht.	Der Motor benötigt etwa drei Minuten, um sich aufzuwärmen.	Lassen Sie den Motor vollständig warmlaufen. Wenn der Motor nicht nach drei Minuten beschleunigt, wenden Sie sich an einen Kundendienst.
Der Motor springt an, aber läuft nur mit hoher Geschwindigkeit bei halb eingestelltem Choke.	Vergaser muss eingestellt werden.	Kontaktieren Sie einen autorisierten Kundendienst.
Motor erreicht die Nennzahl nicht und/oder raucht stark.	1. Öl-Kraftstoff-Gemisch prüfen.	1. Frisches Benzin und die korrekte Zweitaktmotorölmischung verwenden.
	2. Luftfilter ist verschmutzt.	2. Den Luftfilter reinigen. Lesen Sie unter „Reinigen des Luftfilters“ in dieser Anleitung nach.
	3. Funkenlöschsieb ist verschmutzt.	3. Kontaktieren Sie einen autorisierten Kundendienst.
Motor springt an, läuft, beschleunigt, läuft aber nicht bei Leerlaufdrehzahl.	Die Leerlaufdrehzahlschraube am Vergaser muss eingestellt werden.	Kontaktieren Sie einen autorisierten Kundendienst.
Faden lässt sich nicht erweitern.	1. Faden verschleißt sich.	1. Gleitmittel mit Silikon spray.
	2. Nicht genug Faden auf Spule.	2. Setzen Sie mehr Faden ein. Refer to „Line Replacement“ in this manual.
	3. Faden zu kurz	3. Ziehen Sie den Faden, während Sie abwechselnd die Einspritzpumpe nach unten drücken und loslassen.
	4. Fadenverwicklungen auf Spule.	4. Entfernen des Fadens von Spule und Rücklauf. Refer to „Line Replacement“ in this manual.
	5. Motordrehzahl zu langsam.	5. Erweitern Sie den Faden bei Vollgas.
Gras wickelt sich um Gehäuse und Fadenkopf	1. Schneiden von hohem Gras auf Bodenhöhe	1. Schneiden Sie hohes Gras von oben nach unten.
	2. Betrieb des Produkts mit Drosselklappe	2. Benutzen Sie das Produkt immer mit Vollgas.
Drehkopfnoppe lässt sich nur schwer drehen	Schraubgewinde sind verschmutzt oder beschädigt	Reinigen und fetten Sie die Gewinde. Sollte das Problem weiterhin bestehen, so tauschen Sie die Drehkopfnoppe aus.
Schmieröl tropft vom Auspuff	1. Betrieb des Produkts mit Drosselklappe	1. Benutzen Sie das Produkt immer mit Vollgas.
	2. Schmieröl/Kraftstoffgemisch ist verschmutzt	2. Verwenden Sie frischen Kraftstoff und die passende Zweitakter-Schmierölmischung.
	3. Luftfilter ist verschmutzt.	3. Luftfilter laut Anweisungen im Abschnitt „Wartung“ reinigen



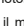
## RESOLUCIÓN DE PROBLEMAS

SI ESTAS SOLUCIONES NO RESUELVEN EL PROBLEMA PÓNGASE EN CONTACTO CON SU PROVEEDOR DE SERVICIO AUTORIZADO.

Problema	Causa posible	Solución
El motor no se enciende.	1. No hay bujía.	1. La bujía podría estar dañada. Retírela y compruebe que no hay suciedad ni roturas. Sustituya con una nueva bujía.
	2. Sin combustible	2. Pulse el depósito del cebador hasta que esté lleno de combustible. Si el depósito no se llena, el sistema de suministro de combustible primario está bloqueado. Póngase en contacto con un centro de servicio autorizado. Si el depósito del cebador se llena, se puede inundar el motor. Siga con el siguiente elemento.
	3. El motor se ha ahogado.	3. Quite la bujía. Gire el producto para que el orificio de la bujía mire al suelo. Gire la esfera del obturador a la posición  y tire del cordón de encendido de 10 a 15 veces. Esto eliminará el exceso de combustible del motor. Retire todo el combustible del producto. Limpie y vuelva a colocar la bujía. Limpie las fugas de combustible y muévase al menos a 9 metros de distancia antes de volver a arrancarlo. Tire del encendido tres veces con la esfera del obturador en  . Si el motor no se enciende, gire el dial del estrangulador en la posición  y, a continuación, repita el procedimiento normal de encendido. Si el motor sigue sin arrancar, repita el procedimiento con una bujía nueva.
	4. Resulta más difícil tirar de la cuerda de arranque que cuando estaba nueva.	4. Póngase en contacto con un centro de servicio autorizado.
	5. Combustible usado.	5. Utilice sólo combustible nuevo mezclado con el aceite recomendado. Un combustible con más de 30 días puede hacer que la unidad no arranque.
El motor arrancará pero no acelera.	El motor tarda unos tres minutos en calentarse.	Deje que el motor se caliente por completo. Si el motor no acelera transcurridos tres minutos, póngase en contacto con un distribuidor de servicio.
El motor se enciende pero solo funciona a alta velocidad con el cebador en la posición intermedia.	El carburador necesita un ajuste.	Póngase en contacto con un centro de servicio autorizado.
El motor no alcanza la velocidad máxima y/o produce demasiado humo.	1. Compruebe la mezcla de aceite y gasolina.	1. Utilice una mezcla reciente de gasolina y aceite para motores de dos tiempos en la proporción correcta.
	2. El filtro de aire está sucio.	2. Limpie el filtro de aire. Consulte la sección "Limpieza del filtro de aire" en este manual.
	3. La pantalla apagachispas está sucia.	3. Póngase en contacto con un centro de servicio autorizado.
El motor arranca, funciona y acelera, pero no funciona en ralentí.	Es necesario ajustar el tornillo de ralentí en el carburador.	Póngase en contacto con un centro de servicio autorizado.
La línea no avanza.	1. La línea se ha soldado.	1. Lubrique con spray de silicona.
	2. No hay suficiente línea en la bobina.	2. Instale más línea. Consulte "Sustitución de línea" en este manual.
	3. La línea está muy gastada	3. Tire de las líneas mientras presiona hacia abajo y suelta el cabezal de golpes de forma alternativa.
	4. La línea se ha enredado en la bobina.	4. Retire la línea de la bobina y rebobine. Consulte "Sustitución de línea" en este manual.
	5. La velocidad del motor es demasiado lenta.	5. Avance la línea a toda potencia.
El césped se enrosca en la carcasa del eje y el cabezal de golpes	1. Cortar césped alto a la altura del suelo	1. Corte el césped alto de arriba hacia abajo.
	2. Funcionamiento del producto a aceleración parcial	2. Utilice siempre el producto a todo gas.
Resulta difícil girar el pomo de golpes	Las roscas están sucias o dañadas	Limpie las roscas y lubríquelas con grasa. Si no hay mejora, sustituya el pomo de golpes.
Hay fuga de lubricante del silenciador	1. Funcionamiento del producto a aceleración parcial	1. Utilice siempre el producto a todo gas.
	2. La mezcla del lubricante/ combustible está sucia	2. Use combustible nuevo y corrija la mezcla de lubricante sintético de 2 tiempos.
	3. El filtro de aire está sucio.	3. Limpie el filtro de aire según las instrucciones de la sección de mantenimiento




## RISOLUZIONE DEI PROBLEMI

NEL CASO IN CUI QUESTE SOLUZIONI NON RISOLVANO IL PROBLEMA CONTATTARE IL PROPRIO RIVENDITORE AUTORIZZATO.

Problema	Causa	Soluzione
Il motore non parte.	1. Manca la candela.	1. La candela potrebbe essere danneggiata. Rimuoverlo e verificare l'eventuale presenza di sporcizia o fessure. Sostituire con una nuova candela.
	2. Assenza di combustibile	2. Premere il bulbo primer fino a quando non si riempie di carburante. Se il bulbo non si riempie, è bloccato il sistema primario di fornitura del combustibile. Contattare un centro servizi autorizzato. Se la peretta di iniezione combustibile si riempie, il motore potrebbe essere ingolfato. Passare alla voce seguente.
	3. Motore sommerso.	3. Togliere la candela. Sistemare l'apparecchio in modo tale che la sede della candela sia rivolta verso terra. Ruotare la manopola dell'aria in posizione  e tirare il cavo dello starter 10 - 15 volte. Ciò permetterà di rimuovere il carburante in eccesso dal motore. Rimuovere il carburante dal prodotto. Pulire e reinstallare la candela. Pulire eventuali fuoriuscite di carburante e spostarsi di almeno 9 metri prima di riavviare il motore Tirare tre volte lo starter con la manopola dell'aria su  . Se il motore non parte, ruotare la leva dell'aria in posizione  e ripetere la normale procedura di avviamento. Se il motore comunque non si avvia, ripetere la procedura con una candela nuova.
	4. Il cordino di avviamento è più difficile da tirare quando è nuovo.	4. Contattare un centro servizi autorizzato.
	5. Carburante vecchio	5. Utilizzare solo carburante fresco mescolato con il tipo di olio raccomandato. Il carburante più vecchio di 30 giorni potrà impedire il corretto avvio dell'unità.
Il motore si avvia ma non accelera.	Sono necessari circa tre minuti per il riscaldamento del motore.	Lasciare che il motore si riscaldi bene. Se dopo tre minuti il motore non accelera, contattare il servizio di assistenza.
Il motore parte ma funziona solo ad alta velocità con la leva dello starter in posizione intermedia.	Il carburatore deve essere regolato.	Contattare un centro servizi autorizzato.
Il motore non raggiunge la velocità massima e/o emette una quantità eccessiva di fumo.	1. Controllare la miscela di olio e carburante.	1. Utilizzare carburante fresco e una miscela in rapporto corretto con l'olio per motori a 2 tempi.
	2. Il filtro dell'aria è sporco.	2. Pulire il filtro dell'aria. Consultare la sezione "Pulizia del filtro dell'aria" del presente manuale.
	3. La griglia parascintille è sporca.	3. Contattare un centro servizi autorizzato.
Il motore si mette in moto, funziona e accelera ma non va al minimo.	La vite di regolazione del minimo sul carburatore richiede la regolazione.	Contattare un centro servizi autorizzato.
Il filo non avanzerà.	1. Filo saldato su se stesso.	1. Lubrificare con spray al silicone.
	2. Non c'è abbastanza filo sulla bobina.	2. Installare un'altra linea. Fare riferimento alla sezione "Sostituzione del filo" del manuale.
	3. Filo consumato troppo corto.	3. Tirare i fili premendo alternativamente e rilasciando la testina bump.
	4. Filo ingarbugliato sulla bobina.	4. Rimuovere il filo dalla bobina e riavvolgerlo. Fare riferimento alla sezione "Sostituzione del filo" del manuale.
	5. Velocità motore troppo lenta.	5. Far scorrere il filo con il motore a pieno regime.
L'erba si avvolge attorno all'albero di trasmissione e alla testa antiurto	1. Si sta tagliando erba alta a raso terra	1. Tagliare l'erba alta dall'alto verso il basso.
	2. Funzionamento del decespugliatore a velocità intermedia	2. Mettere sempre in funzione il motore a pieno regime.
Manopola bump dura da girare	I filetti della vite sono sporchi o danneggiati	Pulire i filetti e lubrificarli con grasso. Se ciò non migliora il problema, sostituire la manopola bump.
La marmitta perde olio	1. Funzionamento del decespugliatore a velocità intermedia	1. Mettere sempre in funzione il motore a pieno regime.
	2. La miscela olio/combustibile è sporca	2. Utilizzare un carburante miscelato di recente e contenente la giusta proporzione di olio di sintesi per motore a 2 tempi.
	3. Il filtro dell'aria è sporco.	3. Pulire il filtro dell'aria attenendosi alle istruzioni riportate nella sezione "Manutenzione".



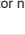
## PROBLEEMOPLOSSEN

ALS DEZE OPLOSSINGEN HET PROBLEEM NIET VERHELPEN, NEEMT U CONTACT OP MET UW GEAUTORISEERDE ONDERHOUDSVERDELER.

Probleem	Mogelijke oorzaak	Oplossing
Motor start niet.	1. Geen vonken.	1. De bougie kan beschadigd raken. Verwijder het en controleer op vuil en scheuren. Vervang het met een nieuwe bougie.
	2. Geen brandstof	2. Druk op de pompbal totdat deze vol zit met brandstof. Als de pompbal niet vult is het primaire vloeistofvoersysteem geblokkeerd. Neemt u contact op met een geautoriseerd servicecentrum. Als de benzinebalg vult, kan de motor overstromen. Ga verder met het volgende item.
	3. Motor is verzopen.	3. De bougie verwijderen. Draai het product zodat het bougiegat naar de grond is gericht. Draai de chokeschakelaar naar de stand  en trek 10 tot 15 maal aan het startkoord. Dit zal de overbodige brandstof uit de motor verwijderen. Verwijder de brandstof uit het product. Reinig en plaats de bougie terug. Ruim eventueel gemorste brandstof op en start de blazer opnieuw op ten minste 9 meter afstand. Trek drie maal aan het startkoord terwijl de chokeschakelaar instelt op  . Als de motor niet start, draai de smoorwijzer dan naar de stand  en herhaal vervolgens de normale startprocedure. Als de motor nog steeds niet start, herhaalt u de procedure met een nieuwe bougie.
	4. De startkabel is nu lastiger aan te trekken dan nieuw	4. Neemt u contact op met een geautoriseerd servicecentrum.
	5. Oude brandstof.	5. Gebruik uitsluitend verse brandstof gemengd met de aangewezen olie. Brandstof die ouder is dan 30 dagen kan verhinderen dat de machine start.
De motor start wel, maar accelereert niet.	De motor heeft ongeveer drie minuten nodig om op te warmen.	Laat de motor volledig opwarmen. Neem contact op met een onderhoudsdealer indien de motor na drie minuten niet versnelt.
De motor start, maar loopt alleen bij hoge snelheid, bij halve choke.	Carburateur moet worden aangepast.	Neemt u contact op met een geautoriseerd servicecentrum.
Motor haalt maximum toerental niet en/of ontwikkelt zeer veel rook.	1. Controleer het oliebrandstofmengsel.	1. Gebruik verse brandstof en de juiste tweetaktolie mengselverhouding.
	2. Luchtfilter vuil.	2. Maak het luchtfilter schoon. Raadpleeg 'Reinigen van het luchtfilter' in deze handleiding.
	3. Vonkvangerscherm vuil.	3. Neemt u contact op met een geautoriseerd servicecentrum.
Motor start, loopt en versnelt, maar loopt niet stationair.	De stationair toerentalschroef of de carburateur moet afgesteld worden.	Neemt u contact op met een geautoriseerd servicecentrum.
Lijn trekt niet uit.	1. Lijn is aan zichzelf gesmolten.	1. Smeren met siliconenspray.
	2. Niet voldoende lijn op de spoel.	2. Plaats meer lijn. Raadpleeg "Snoervervanging" in deze handleiding.
	3. Lijn is te kort afgesleten.	3. Trek aan de lijnen terwijl u afwisselend de aantikopp indrukt.
	4. Lijn verward in de spoel.	4. Haal de lijn uit de spoel en wikkel het terug. Raadpleeg "Snoervervanging" in deze handleiding.
	5. Motorsnelheid te laag.	5. Trek de lijn uit bij vol vermogen.
Het gras wikkelt rond de asbehuizing en de stootkop	1. Maaien van lang gras op grondniveau	1. Snijd lang gras van bovenaf.
	2. Het product gebruiken met half gas	2. Gebruik het product altijd aan volle snelheid.
Stootknop is moeilijk te draaien	Schroefdraden zijn vuil of beschadigd	Reinig het schroefdraad en smeer het met vet. Vervang de stootknop als er geen verbetering is.
Er drupt smeeroilie uit de geluidemper	1. Het product gebruiken met half gas	1. Gebruik het product altijd aan volle snelheid.
	2. Smeeroilie-/brandstofmengsel is vuil	2. Gebruik nieuwe brandstof en de juiste synthetische 2-takt smeermiddel mix is vuil
	3. Luchtfilter vuil.	3. Reinig het luchtfilter volgens de instructies in het hoofdstuk Onderhoud

## RESOLUÇÃO DE PROBLEMAS




SE ESTAS SOLUÇÕES NÃO RESOLVEREM O PROBLEMA, CONTACTE O SEU REVENDEDOR AUTORIZADO DE ASSISTÊNCIA.

Problema	Possível causa	Solução
O motor não arranca.	1. Não há falasca.	1. A vela de ignição pode estar danificada. Desmonte a vela de ignição e inspecione-a, procurando sujidade e rachas. Monte uma vela de ignição nova.
	2. Sem combustível	2. Aperte várias vezes o bolbo de escorvamento, até o bolbo ficar cheio de combustível. Se o bolbo não se encher de combustível, o sistema de abastecimento de combustível está entupido. Contacte um centro de assistência autorizado. Se o bolbo de escorvamento ficar cheio de combustível, então o motor poderá estar afogado. Avance para o próximo passo de verificação.
	3. O motor é inundado.	3. Retire a vela de ignição. Rode o produto por forma a que o orifício da vela de ignição fique a apontar para o chão. Faça rodar o selector do ar para a posição  e puxe o cordão de arranque 10 a 15 vezes. Isto irá limpar o combustível em excesso no motor. Retire todo o combustível do produto. Limpe e reinstale a vela de ignição. Limpe quaisquer derrames de combustível e afaste-se pelo menos 9 metros da área do derrame antes de voltar a pôr o motor a trabalhar. Puxe o cordão de arranque 3 vezes, com o selector do ar na posição  . Se o motor não pegar, faça rodar o selector do ar para a posição  e, em seguida, repita o procedimento de arranque normal. Se, mesmo assim, o motor não pegar, repita o procedimento com uma nova vela de ignição.
	4. O cordão de arranque é agora mais difícil de puxar do que em novo	4. Contacte um centro de assistência autorizado.
	5. Combustível antigo.	5. Use apenas combustível fresco misturado com óleo recomendado. O combustível com mais de 30 dias pode impedir a unidade de arrancar.
O motor começa a trabalhar mas não acelera.	O motor demora cerca de 3 minutos a aquecer.	Deixe o motor aquecer completamente. Se o motor não acelerar ao fim de 3 minutos, entre em contacto com um concessionário de assistência técnica.
O motor arranca mas só trabalha em alta velocidade e com o ar meio fechado.	O carburador precisa de ser ajustado.	Contacte um centro de assistência autorizado.
O motor não atinge a velocidade máxima e/ou emite demasiado fumo.	1. Verifique a mistura de óleo do combustível.	1. Utilize novo combustível e a proporção de mistura de óleo de 2 tempos correcta.
	2. O filtro de ar está sujo.	2. Limpe o filtro de ar. Consulte "Limpar o Filtro do Ar", neste Manual.
	3. O ecrã do pára-falasca está sujo.	3. Contacte um centro de assistência autorizado.
O motor arranca, funciona e acelera, mas não funciona ao ralenti.	O parafuso do jacto de ralenti no carburador precisa de afinação.	Contacte um centro de assistência autorizado.
A linha não sai.	1. Linha soldada a si própria.	1. Lubrifique com spray de silicone.
	2. Não há linha suficiente dentro da bobina.	2. Instale mais linha. Consulte "Substituição da linha", neste Manual.
	3. A linha está desgastada demasiado curta.	3. Puxe as linhas, simultaneamente pressionando e libertando a cabeça anti-choque.
	4. Linha embaraçada na bobina.	4. Desmonte o fio da bobina e volte a enrolá-lo. Consulte "Substituição da linha", neste Manual.
	5. A velocidade do motor é demasiado baixa.	5. Faça sair a linha com o acelerador no máximo.
A relva enrola-se à volta da carcaça do veio e da cabeça anti-choque.	1. Está a cortar erva alta ao nível do chão	1. Corte erva alta de cima para baixo.
	2. Está a usar o recortador com aceleração parcial	2. Opere sempre o produto em plena aceleração.
A maçaneta anti-choque é difícil de rodar	As espiras da rosca estão sujas ou danificadas	Limpe as espiras da rosca e lubrifique-as com massa consistente. Se não melhorar, substitua a maçaneta anti-choque.
Pinga óleo lubrificante da panela de escape	1. Está a usar o recortador com aceleração parcial	1. Opere sempre o produto em plena aceleração.
	2. A mistura de óleo lubrificante/combustível está suja	2. Use combustível novo e corrija a mistura de lubrificante sintético para 2 tempos.
	3. O filtro de ar está sujo.	3. Limpe o filtro do ar de acordo com as instruções dadas na secção de Manutenção.




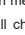
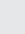
## FEJLFINDER

HVIS DISSE LØSNINGER IKKE AFHJÆLPER PROBLEMET, KONTAKTER MAN SIN AUTORISEREDE SERVICEFORHANDLER.

Problem	Mulig årsag	Løsning
Motor vil ikke starte.	1. Ingen gnist i tændrøret.	1. Tændrøret kan være beskadiget. Fjern det, og tjek for skidt og revner. Udskift med et nyt tændrør.
	2. Ingen brændstof	2. Skub primerkolben, indtil kolben er fuld af brændstof. Hvis kolben ikke fyldes op, er det primære benzin-leveringssystem blokeret. Skal man kontakte et autoriseret servicecenter. Hvis primerpæren fyldes op, er motoren måske oversvømmet. Fortsæt til næste genstand.
	3. Motor er druknet.	3. Tag tændrøret ud. Drej produktet, så tændrørshullet er rettet mod jorden. Drej chokerens drejeknap til  -position, og træk i startsnoren 10 til 15 gange. Herved udtømmes overskydende brændstof fra motoren. Fjern evt. brændstof fra produktet. Rens og genmonter tændrøret. Fjern eventuelt spildt brændstof, og gå mindst 9 meter væk før genstart. Træk i starteren tre gange med chokerens drejeskive på  . Hvis motoren ikke starter, skal du indstille chokerknappen til chokerposition  og derefter gentage den normale startprocedure. Starter motoren stadig ikke, prøv da at udskifte tændrøret med et nyt.
	4. Startebret er hårdere at trække i, end når det er nyt	4. Skal man kontakte et autoriseret servicecenter.
	5. Gammelt brændstof.	5. Brug kun frisk brændstof blandet med anbefalet olie. Brændstof, der er over 30 dage gammelt, kan bidrage til, at produktet ikke kan starte.
Motoren starter, men vil ikke accelerere.	Motoren kræver omkring tre minutter til at varme op.	Lad motoren varme helt op. Hvis motoren ikke accelererer efter tre minutter, så kontakt en serviceforhandler.
Motoren starter men vil kun køre på halv hastighed, med halv choker.	Karburatoren trænger til justering.	Skal man kontakte et autoriseret servicecenter.
Motoren kan ikke komme helt op i omdrejninger og ryger for meget.	1. Kontrollér benzin-/olieblandingen.	1. Brug frisk benzin og den korrekte blanding af benzin og 2-taktsolie.
	2. Luftfilteret er tilstoppet.	2. Rens luftfilteret. Der henvises til "Rensning af luftfilter" i denne vejledning.
	3. Gnistfangeren er tilsnævset.	3. Skal man kontakte et autoriseret servicecenter.
Motoren starter og tager gassen, men kan ikke gå i tomgang.	Tomgangsskrue på karburator kræver justering.	Skal man kontakte et autoriseret servicecenter.
Snor vil ikke rykke frem af sig selv.	1. Snor svejset til sig selv.	1. Smør med silikonespray.
	2. Ikke nok snor på spolen.	2. Installer mere snor. Se "Snorudskiftning" i denne vejledning.
	3. For kort snor.	3. Hiv i snorene, mens du skiftevis presser ned på og giver slip på bump-hovedet.
	4. Snor viklet rundt om spole.	4. Fjern snoren fra spolen, og spol tilbage. Se "Snorudskiftning" i denne vejledning.
	5. Motorens hastighed er for langsom.	5. Ryk i snoren med et kraftigt tag.
Græs vikler sig rundt om skaftet og knobhovedet	1. Beskæring af højt græs i jordhøjde	1. Skær højt græs oppefra og ned.
	2. Betjening af trimmer på delvis gasspjæld	2. Brug altid produktet ved fuld hastighed.
Knobgreb svær at dreje	Skruetråde er beskidte eller beskadiget	Gør trådene rent, og smør med fedt. Hvis der ikke er nogen forbedring, udskiftes knobgrebet.
Smøremiddeldræber fra lydpotte	1. Betjening af trimmer på delvis gasspjæld	1. Brug altid produktet ved fuld hastighed.
	2. Olie-/brændstofblanding er beskidt	2. Brug friskt brændstof og korrekt syntetisk 2-takts smøremiddelblanding.
	3. Luftfilteret er tilstoppet.	3. Rengør luftfiltret som angivet i Vedligeholdelsesafsnittet




## FELSÖKNING

### KONTAKTA DIN AUKTORISERADE SERVICEAGENT OM DESSA LÖSNINGAR INTE ÅTGÄRDAR PROBLEMET.

Problem	Möjlig orsak	Lösning
Motorn startar inte.	1. Ingen gnista.	1. Tändstiftet kan vara skadat. Ta bort det och kontrollera efter skrap och sprickor. Sätt i ett nytt tändstift.
	2. Ingen bensin	2. Tryck på påfyllningsblåsan till blåsan fylls med bränsle. Om blåsan inte fylls är det primära bränsleförsörjningssystemet blockerat. Kontakta ett auktoriserat servicecenter. Om påfyllningsblåsan fylls kan motorn ha översvämmats. Fortsätt till nästa punkt.
	3. Motorn har flödats för mycket.	3. Avlägsna tändstiftet. Vrid produkten så att tändstiftshålet är riktat mot marken. Vrid chokens inställningsratt till läget  och dra i startsnöret 10 till 15 gånger. Detta för bort överflödigt bränsle från motorn. Ta bort allt bränsle från produkten. Rengör och sätt tillbaka tändstiftet. Torka upp utspillt bränsle och flytta dig minst nio meter bort innan du startar igen. Dra tre gånger i starttråden med chokens inställningsratt på  . Om motorn inte startar, ställ choke-vredet i läget  och upprepa sedan den normala startproceduren. Upprepa med ett nytt tändstift, om motorn inte startar.
	4. Startsnöret är nu trögare att dra i jämfört med när det var nytt.	4. Kontakta ett auktoriserat servicecenter.
	5. Gammalt bränsle.	5. Använd endast färskt bränsle med rekommenderad olja. Bränsle som är mer än 30 dagar gammalt kan hindra att maskinen startar.
Motorn startar men vill inte accelerera.	Motorn behöver ungefär tre minuter för uppvärmning.	Låt motorn värmas upp helt och hållet. Om motorn inte accelererar efter tre minuter, kontakta en distributör med service.
Motorn startar men kan bara köras vid högt varvtal med halv choke.	Förgasaren behöver ställas in.	Kontakta ett auktoriserat servicecenter.
Motorn når inte full hastighet och avger stora mängder rök	1. Kontrollera oljebränsleblandningen.	1. Använd nytt bränsle och korrekt blandning med tvåtaktsolja.
	2. Luftfiltret är smutsigt.	2. Rengör luftfiltret. Se "Rengöring av luftfilter" i denna bruksanvisning.
	3. Gnistfångaren är smutsigt.	3. Kontakta ett auktoriserat servicecenter.
Motorn startar, körs och accelererar men går inte på tomgång.	Tomgångsskruven på karburatorn behöver justeras.	Kontakta ett auktoriserat servicecenter.
Tråden går inte att föra fram.	1. Tråden har svetsats samman med sig själv.	1. Smörj med silikonprej.
	2. Det finns inte tillräckligt med tråd på spolen.	2. Montera längre tråd. Se "Reservtråd" i denna manual.
	3. Tråden är för kort.	3. Dra i trådarna samtidigt som du växelviss trycker in och släpper upp tryckknappen.
	4. Tråden har trasslat ihop sig på spolen.	4. Ta bort tråden från spolen och linda upp den på nytt. Se "Reservtråd" i denna manual.
	5. För lågt motorvarvtal.	5. Dra fram tråden med full gas.
Gräs snor sig kring skaffets hölje och tryckknappen	1. Skär långt gräs på marknivå	1. Skär högt gräs från toppen och nedåt.
	2. Använda produkten med halv gas	2. Använd alltid maskinen på full gas.
Tryckknapp svår att slå på	Skruvtrådar är smutsiga eller skadade	Rengör trådarna och smörj med fett. Om det inte sker någon förbättring, byt ut tryckknappen.
Smörjmedel droppar från ljuddämpare	1. Använda produkten med halv gas	1. Använd alltid maskinen på full gas.
	2. Smörjmedlet/Bensinblandning är smutsigt(t)	2. Använd nytt bränsle och korrekt syntetisk 2-takts smörjmedelsblandning.
	3. Luftfiltret är smutsigt.	3. Rengör luftfiltret enligt instruktionerna i avsnittet Underhåll




## VIANHAKU

### JOS NÄMÄ RATKAISUT EIVÄT RATKAISE ONGELMAA, OTA YHTEYS VALTUUTETTUUN HUOLTOON.

Ongelma	Mahdollinen syy	Ratkaisu
Moottori ei käynnisty	1. Ei kipinää.	1. Buji hasar gormüß olabilir. Irrota se ja tarkasta lian ja halkeamien varalta. Vaihda tilalle uusi sytytystulppa.
	2. Ei polttoainetta	2. Paina rikastimen kupua, kunnes kupu on täynnä polttoainetta. Jos kupu ei täyty, polttoaineen pääsyötöjärjestelmä on tukossa. Ota yhteys valtuutettuun huoltoon. Jos rikastimen kupu täyttyy, moottori saattaa olla kastunut. Jatka seuraavaan kohtaan.
	3. Moottorissa on liikaa polttoainetta.	3. Poista sytytystulppa. Käännä laitetta, jotta sytytystulpan reikä kohdistuu maahan. Siirrä rikastimen osoitin asentoon  ja vedä käynnistimestä 10 - 15 kertaa. Tämä poistaa ylimääräisen polttoaineen moottorista. Tyhjennä tuotteesta polttoaine. Puhdista sytytystulppa ja asenna se takaisin. Puhdista läikkyneet polttoaine ja siirry vähintään 9 m kauemmaksi ennen käynnistämistä. Vedä käynnistyskahvasta kolme kertaa rikastimen osoittimen ollessa asennossa  . Jos moottori ei käynnisty, käännä kuristimen valitsin asentoon  ja käynnistä sitten uudelleen normaalisti. Jos moottori ei vielä käynnisty, toista toimenpide uudella sytytystulpalla.
	4. Käynnistysköyttä on nyt raskaampi vetää kuin uutena	4. Ota yhteys valtuutettuun huoltoon.
	5. Vanha polttoaine.	5. Käytä ainoastaan suositellun öljyn kanssa sekoitettua tuotetta polttoainetta. Yli 30 päivää vanha polttoaine saattaa estää laitteen käynnistymisen.
Moottori käynnistyy, mutta ei kiihdy.	Moottori tarvitsee noin kolme minuuttia lämmetkseen.	Anna moottorin lämmetä täydellisesti. Jos moottorin kierroksia ei saa nopeammiksi kolmen minuutin jälkeen, ota yhteyttä huoltoilikeeseen.
Moottori käynnistyy, mutta käy vain korkeilla kierroksilla rikastimen ollessa puolessa välissä.	Kaasutin tarvitsee säätöä.	Ota yhteys valtuutettuun huoltoon.
Moottori ei pääse täyteen nopeuteen ja/tai savuttaa normaalia enemmän.	1. Tarkista öljypolttolaineseos.	1. Käytä tuotetta polttoainetta ja oikeaa 2-tahtimoottoriöljyn seosta.
	2. Ilmansuodatin on likainen.	2. Puhdista ilmansuodatin. Katso lisätietoa tämän käyttöoppaan osiosta "Ilmansuodattimen puhdistaminen".
	3. Kipinöitä pidättävä verkko on likainen.	3. Ota yhteys valtuutettuun huoltoon.
Moottori käynnistyy, käy ja kiihtyy, mutta ei käy tyhjäkäynnillä.	Kaasuttimen joutokäyntiruuvia on säädettävä.	Ota yhteys valtuutettuun huoltoon.
Siiman syöttö ei toimi.	1. Siima on juuttunut itseensä.	1. Voitele siikonisuihkeella.
	2. Kelassa ei ole tarpeeksi siimaa.	2. Asenna lisää siimaa. Katso tämän oppaan kohta "Siiman vaihto".
	3. Siima on kulunut liian lyhyeksi.	3. Vedä siimoja ja samaan aikaan vuorotellen paina pusukupäää alas ja vapauta sitä.
	4. Siima on sekaisin kelalla.	4. Irrota siima kelasta ja kiedo se uudelleen. Katso tämän oppaan kohta "Siiman vaihto".
	5. Moottori käy liian hitaasti.	5. Etene leikkuulinjassa täydellä kaasulla.
Ruoho kiertyy akselikotelon ja pusukupään ympärille	1. Korkean ruohon leikkaaminen maan tasolla	1. Katkaise korkea ruohoa ylhäältä alaspäin.
Puskipunin kääntäminen on vaikeaa	2. Laitteen käyttö pienellä kaasulla	2. Käytä laitetta aina täydellä kaasulla.
	Ruuvikierteet ovat likaisia tai vaurioituneita	Puhdista kiertet ja voitele rasvalla. Ellei tapahdu parannusta, vaihda puskunuppi.
Voiteluainetta tippuu äänenvaimentimesta	1. Laitteen käyttö pienellä kaasulla	1. Käytä laitetta aina täydellä kaasulla.
	2. Voiteluaine/polttoaineseos on likaista	2. Käytä tuotetta polttoainetta ja oikeaa synteettistä 2-tahtista voiteluaineseosta.
	3. Ilmansuodatin on likainen.	3. Puhdista ilmansuodatin osassa Huolto olevan ohjeen mukaisesti

## FEILSØKING

**DERSEM IKKE DISSE LØSNINGENE LØSER PROBLEMET MÅ ET AUTORISERT SERVICESENTER KONTAKTES.**

Problem	Mulig årsak	Løsning
Motoren starter ikke.	1. Ingen gnist.	1. Tennpluggen kan være skadet. Fjern det og sjekk for smuss og sprekker. Skift ut med en ny tennplugg.
	2. Ingen drivstoff	2. Trykk på primer-kolben til kolben er full av drivstoff. Hvis kolben ikke fylles, vil hovedfyllesystemet blokkert. Ta kontakt med et autorisert servicesenter. Dersom boblen fylles kan motoren være overfylt. Fortsett til neste punkt.
	3. Motoren ble druknet.	3. Ta ut tennpluggen. Snu produktet slik at tennplugghullet vender mot bakken. Skru chokeskiven til posisjon  og trekk i startkabelen 10 til 15 ganger. Dette vil fjerne overflødig drivstoff i motoren. Fjern eventuell drivstoff på produktet. Rens og sett tilbake tennpluggen. Rens opp eventuelt sølt drivstoff og flytt det minst 9 m bort før gjenstart. Trekk i starteren tre ganger med chokeskiven i stillingen  . Hvis motoren ikke starter, drei chokebryteren til  -posisjonen og gjenta deretter normal startprosedyre. Hvis motoren fremdeles ikke vil starte, gjentar du prosedyren med en ny tennplugg.
	4. Startsnoren er hardere å trekke i enn da den var ny.	4. Ta kontakt med et autorisert servicesenter.
	5. Gammel bensin.	5. Bruk bare friskt drivstoff blandet med anbefalt olje. Drivstoff som er mer enn 30 dager gammel vil kunne hindre at maskinen starter.
Motoren starter, men akselererer ikke.	Det tar omkring tre minutter før motoren er varm.	La motoren varmes helt opp. Hvis motoren ikke akselererer etter tre minutter, må du kontakte et serviceverksted.
Motoren starter men kjører kun på halv choke.	Forgasseren må justeres.	Ta kontakt med et autorisert servicesenter.
Motoren når ikke full fart, og ryker mer enn vanlig.	1. Kontroller oljeblandingen i brennstoffet.	1. Bruk nylig blandet brennstoff og korrekt blandingsforhold med tokaktsolje.
	2. Luftfilteret er urent.	2. Rengjør luftfilteret. Se "Rengjøre luftfilteret" i denne håndboken.
	3. Gnistfangeren er skitten.	3. Ta kontakt med et autorisert servicesenter.
Motoren starter og kjører, men vil ikke gå på tomgang.	Tomgangsskruen på forgasseren må justeres.	Ta kontakt med et autorisert servicesenter.
Tråden vil ikke gi ut.	1. Tråden sitter fast i seg selv.	1. Smøre med silikonspray.
	2. Ikke nok tråd på spolen.	2. Installer flere linjer. Se «linjeerstatning» i denne manualen.
	3. Tråden er for kort grunnet mye bruk.	3. Trekk tråden mens du vekselvis trykke ned på og slipp støtshodet .
	4. Tråden floket på spolen.	4. Fjern tråden fra spolen og spol opp på ny . Se «linjeerstatning» i denne manualen.
	5. Motorhastighet for lav.	5. Linjeavstand ved full gass.
Gress vikles rundt akselrammen og støthodet	1. Kutting av gress ved bakkenivå	1. Kutt høyt gress fra toppen og ned.
	2. Kjør trimmeren på halv styrke	2. Bruk alltid produktet på full gass.
Slå knotten hardt for å snu	Skrujegjengene er skitne eller skadde	Rengjør gjengene og smør med fett. Dersom du ikke ser noen forbedring, erstatter du støtknotten.
Olje drypper fra lydempere	1. Kjør trimmeren på halv styrke	1. Bruk alltid produktet på full gass.
	2. Olje-/drivstoffblandingen er skitten	2. Bruk ferskt drivstoff og riktig syntetisk 2-takts smøreblanding.
	3. Luftfilteret er urent.	3. Rens luftfilterne etter instruksjonene i vedlikeholdsdelen.



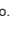
## ПОИСК НЕИСПРАВНОСТЕЙ

ЕСЛИ ПРЕДЛАГАЕМЫЕ МЕРЫ НЕ ПРИВОДЯТ К УСТРАНЕНИЮ НЕИСПРАВНОСТИ, ОБРАЩАЙТЕСЬ В УПОЛНОМОЧЕННЫЙ СЕРВИСНЫЙ ЦЕНТР.

Проблема	Возможные причины	Решение
Двигатель не запускается.	1. Нет искры.	1. Свеча зажигания может быть повреждена. Снимите его и проверьте на наличие грязи и трещин. Замените новой свечой зажигания.
	2. Нет топлива	2. Сожмите сжимной насос, пока он полностью не наполнится топливом. Если сжимной насос не наполняется, значит система подачи топлива в рабочем режиме блокирована. Обратитесь в официальный сервисный центр. Если сжимной насос полный, значит двигатель залит. Перейдите к следующему пункту.
	3. Двигатель переполнен.	3. Снимите свечу. Переверните инструмент так, чтобы отверстие свечи зажигания было направлено к земле. Поверните ручку настройки в положение  и потяните за шнур стартера 10 или 15 раз. При этом из двигателя будет удалено избыточное топливо. Слейте все топливо из устройства. Очистите и установите на место свечу зажигания. В случае утечки топлива очистите его и отойдите на 9 метров от места разлива перед тем, как вновь запустить двигатель. Потяните за стартер три раза, ручка установлена на  . Если двигатель не запускается, поверните ручку дросселирования в положение  и снова повторите процедуру запуска двигателя. Если и после этого мотор не завелся, повторите все эти операции с новой свечой.
	4. Трос стартера теперь тянется тяжелее, чем новый.	4. Обратитесь в официальный сервисный центр.
	5. Просроченное топливо	5. Используйте только свежее топливо в смеси с рекомендуемым маслом. При использовании топлива со сроком хранения свыше 30 дней двигатель может не запуститься.
Двигатель запускается, но обороты не повышаются.	Двигателю для прогрева необходимо около трех минут.	Полностью прогрейте двигатель. Если двигатель не запускается через три минуты, обратитесь в авторизованный сервисный центр.
При открытой наполовину дроссельной заслонке двигатель запускается, но работает только на высокой скорости.	Необходимо отрегулировать карбюратор.	Обратитесь в официальный сервисный центр.
Мотор не разгоняется до Полной скорости, и из него идет много дыма.	1. Проверьте качество топливной смеси.	1. Используйте новую смесь с правильной пропорцией масла для двухтактных двигателей.
	2. Воздушный фильтр засорился.	2. Прочистите воздушный фильтр. Смотрите раздел "Очистка воздушного фильтра" в настоящем Руководстве.
	3. Сетка искроотражателя засорилась.	3. Обратитесь в официальный сервисный центр.
Мотор заводится и разгоняется, но не держит режим малых оборотов.	Необходимо отрегулировать винт холостого хода на карбюраторе.	Обратитесь в официальный сервисный центр.
Леска не выдвигается.	1. Леска сплавилась.	1. Нанесите смазку с помощью силиконового спрея.
	2. Недостаточно лески на катушке.	2. Установите более длинную леску. Смотрите раздел "Замена лески" настоящего Руководства.
	3. Леска слишком короткая.	3. Потяните за леску, поочередно прижимая ее вниз и отпуская триммерную головку.
	4. Леска запуталась на катушке.	4. Снимите леску с катушки и перемотайте. Смотрите раздел "Замена лески" настоящего Руководства.
	5. Скорость двигателя слишком низкая.	5. Вытяните леску при работе двигателя на полном ходу.
Трава наматалась на кожух вала и триммерную головку	1. Стрижка высокой травы на уровне земли	1. Срезайте высокую траву сверху вниз.
	2. Работа инструмента на пониженной тяге	2. Всегда работайте на полной мощности.
Ручка головки триммера	Резьба винтов загрязнена или повреждена	Протрите и смажьте резьбу. При отсутствии улучшений замените ручку триммерной головки.
Смазка вытекает из глушителя	1. Работа инструмента на пониженной тяге	1. Всегда работайте на полной мощности.
	2. Масляная / топливная смесь загрязнена	2. Используйте свежее топливо и соответствующую синтетическую масляную смесь для двухтактного двигателя.
	3. Воздушный фильтр засорился.	3. Проведите очистку воздушного фильтра в соответствии с инструкциями в разделе Техническое обслуживание


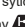
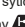
## ROZWIĄZYWANIE PROBLEMÓW

JEŻELI PRZEDSTAWIONE CZYNNOŚCI NIE ROZWIĄZAŁY PROBLEMU, NALEŻY SKONTAKTOWAĆ SIĘ Z AUTORYZOWANYM PRZEDSTAWICIELEM SERWISU.

Problem	Możliwa przyczyna	Rozwiązanie
Silnik nie uruchamia się.	1. Brak iskry.	1. Świeca zapłonowa może być uszkodzona. Zdemontować i sprawdzić pod kątem zabrudzeń i pęknięć. Wymienić świecę zapłonową na nową.
	2. Brak paliwa	2. Wcisnąć bańkę pompy zastrzykowej dopóki nie napelni się paliwem. Jeżeli bańka nie napelni się, będzie to oznaczać, że układ doprowadzenia paliwa jest zablokowany. Należy skontaktować się z autoryzowanym punktem serwisowym. Jeżeli pompka paliwa napelni się, silnik może być zalany. Przejść do kolejnego kroku.
	3. Silnik jest zalany.	3. Zdjąć świecę zapłonową. Odwrócić produkt w taki sposób, by otwór świecy zapłonowej był skierowany w stronę podłoża. Obrócić wskazówkę przepustnicy w położenie  i pociągnąć linkę rozrusznika 10 do 15 razy. Pozwoli to usunąć nadmiar paliwa z silnika. Usunąć paliwo z urządzenia. Wyczyścić i ponownie zamontować świecę. Usunąć rozlane paliwo. Przed ponownym uruchomieniem urządzenia odsunąć się na odległość co najmniej 9 m od miejsca wycieku. Pociągnąć linkę rozrusznika trzykrotnie, gdy wskazówka przepustnicy będzie znajdować się w położeniu  . Jeżeli silnik nie uruchomi się, obrócić dźwignię przepustnicy w położenie  a następnie ponownie wykonać zwykłą procedurę uruchamiania. Jeżeli mimo to silnik nie daje się uruchomić, to należy powtórzyć powyższą procedurę, lecz przy założonej nowej świecy.
	4. Linka rozrusznika stawia większy opór niż po zakupie	4. Należy skontaktować się z autoryzowanym punktem serwisowym.
	5. Stare paliwo.	5. Stosować wyłącznie świeże paliwo wymieszane z zalecanym olejem. Paliwo starsze niż 30 dni może uniemożliwić uruchomienie urządzenia.
Silnik uruchamia się, ale nie zwiększa obrotów.	Rozgrzanie silnika trwa około 3 minut.	Poczekać, aż silnik całkowicie się rozgrzeje. Jeżeli silnik nie zacznie przyspieszać po upływie 3 minut, skontaktować się z serwisem.
Silnik uruchamia się, ale działa wyłącznie na wysokich obrotach przy przepustnicy otwartej do połowy.	Gaźnik wymaga regulacji.	Należy skontaktować się z autoryzowanym punktem serwisowym.
Silnik nie uzyskuje pełnych obrotów i/lub wydziela zbyt dużo dymu.	1. Sprawdźcie mieszankę paliwową. 2. Brudny filtr powietrza. 3. Siatka iskrochwyty jest brudna.	1. Używać świeżego paliwa i poprawić stosunek mieszanki ilości oleju do silników 2-suwowych /ilości paliwa. 2. Wyczyścić filtr powietrza. Patrz rozdział „Czyszczenie filtra powietrza” w niniejszej instrukcji. 3. Należy skontaktować się z autoryzowanym punktem serwisowym.
Silnik zapala, pracuje i przyspiesza, ale gaśnie przy wolnych obrotach.	Śruba biegu jałowego na gaźniku wymaga regulacji.	Należy skontaktować się z autoryzowanym punktem serwisowym.
Żyłka nie wysuwa się.	1. Żyłka zgrzana sama ze sobą. 2. Niewystarczająca ilość żyłki na szpuli. 3. Żyłka zużyta się i jest zbyt krótka. 4. Żyłka zaplątana na szpuli. 5. Zbyt niska prędkość obrotowa silnika.	1. Nasmarować aerozolem silikonowym. 2. Założyć więcej żyłki. Patrz rozdział „Wymiana linki” w niniejszym podręczniku. 3. Ciągnąć za żyłki, na przemian naciskając i zwalnając kopułkę do zwalniania żyłki. 4. Usunąć żyłkę ze szpuli i nawinąć ponownie. Patrz rozdział „Wymiana linki” w niniejszym podręczniku. 5. Posuwać żyłkę przy w pełni otwartej przepustnicy.
Trawa owija się wokół obudowy wału i głowicy żyłki	1. Przycinanie wysokiej trawy przy ziemi. 2. Obsługa produktu przy częściowo otwartej przepustnicy	1. Wysoką trawę kosić małymi odcinkami od góry. 2. Produkt zawsze powinien pracować przy pełnym otwarciu przepustnicy.
Trudno jest obrócić kopułkę do zwalniania żyłki	Gwinty śrub są zabrudzone lub uszkodzone	Oczyścić gwinty i nasmarować. Jeżeli nie nastąpi poprawa, wymienić kopułkę do zwalniania żyłki.
Z tłumika kapie smar	1. Obsługa produktu przy częściowo otwartej przepustnicy 2. Mieszanka olejowa/paliwowa jest zabrudzona 3. Brudny filtr powietrza.	1. Produkt zawsze powinien pracować przy pełnym otwarciu przepustnicy. 2. Użyć świeżego paliwa i prawidłowej syntetycznej mieszanki do silników dwusuwowych. 3. Oczyszczyć filtr powietrza zgodnie z instrukcją w rozdziale „Konserwacja”.




## ŘEŠENÍ PROBLÉMŮ

POKUD TYTO RADY NEVYŘEŠÍ VÁŠ PROBLÉM, KONTAKTUJTE POVĚŘENÉHO SERVISNÍHO PRODEJCE.

Problém	Možná příčina	Řešení
Motor nenastartuje.	1. Chybí jiskření.	1. Zapalovací svíčka může být poškozená. Odstraňte ji a zkontrolujte, zda není špinavá nebo prasklá. Vyměňte za novou zapalovací svíčku.
	2. Chybí palivo	2. Stiskněte baňku sytiče, až se baňka zcela naplní palivem. Pokud se baňka nenaplní, je zablokovan primární palivový systém. Kontaktujte pověřené středisko. Pokud se baňka nastříkovače naplní, motor může být přeplaven. Postupujte podle dalšího kroku.
	3. Motor je zahlcen.	3. Vyndejte svíčku. Natočte výrobek tak, aby otvor zapalovací svíčky směřoval k zemi. Otočte ukazatel sytiče do polohy  a 10 až 15krát zatáhněte za šňůru startéru. Toto vyčistí z motoru nadbytečné palivo. Odstraňte veškeré palivo z nástroje. Vyčistěte a znovu nainstalujte zapalovací svíčku. Vyčistěte jakékoliv rozlité palivo a před opětovným spuštěním produktu jej odklidte alespoň do vzdálenosti 9 m. Zatáhněte třikrát za startér, při tom je ukazatel sytiče na  . Pokud motor nenaskočí, otočte páčkou sytiče do polohy  a zopakujte normální startovací postup. Pokud se i přes provedené úkony nepodaří motor nastartovat, proveďte celý postup ještě jednou s novou zapalovací svíčkou.
	4. Za startovací kabel se teď tahá obtížněji než u nového výrobku.	4. Kontaktujte pověřené středisko.
	5. Staré palivo.	5. Používejte pouze čerstvé palivo s doporučeným olejem. Palivo starší než 30 dní může zabránit nastartování přístroje.
Motor nastartuje, avšak nezvyší otáčky.	Zahřívání motoru trvá asi 3 min.	Nechte motor zcela zahřát. Pokud se otáčky motoru nezvyší po uplynutí třech minut, obraťte se na servisního prodejce.
Motor se spustí, avšak běží jen při vysokých otáčkách s polovičním sytičem.	Je třeba seřídít karburátor.	Kontaktujte pověřené středisko.
Motor nedosáhne svého plného režimu a/nebo se z něho kouří.	1. Zkontrolujte palivovou směs.	1. Použijte čerstvě namíchanou palivovou směs obsahující správný poměr oleje pro dvoudobé motory.
	2. Je znečištěný vzduchový filtr.	2. Vyčistěte vzduchový filtr. Přečtěte si pokyny v části „Čištění vzduchového filtru“ této příručky.
	3. Je znečištěná ochranná mřížka proti jiskření.	3. Kontaktujte pověřené středisko.
Nastartování, chod a zrychlení motoru je normální, ale netže udržet volnoběh.	Je nutné seřídít šroub volnoběhu na karburátoru.	Kontaktujte pověřené středisko.
Struna se neodvíjí.	1. Struna připečená k sobě.	1. Namažte silikonovým sprejem.
	2. Na cívce není dostatek struny.	2. Namontujte další strunu. Viz „Výměna struny“ v této příručce.
	3. Struna spotřebována, příliš krátká.	3. Vytáhněte strunu při střídávavém stlačování a uvolňování nárazové hlavy.
	4. Struna zamotaná na cívce.	4. Odstraňte strunu z cívky a přeiviňte ji. Viz „Výměna struny“ v této příručce.
	5. Otáčky motoru jsou příliš nízké.	5. Odviňte strunu při plném výkonu.
Tráva se omotává okolo pouzdra hřídele a nárazníkové hlavy	1. Sekání vysoké trávy na úrovni země	1. Vysokou travu seče odspodu.
	2. Použití výrobku při polovičním výkonu	2. Vždy produkt používejte na plný plyn.
Nárazové kolečko se špatně otáčí.	Závity šroubu jsou špinavé nebo poškozené	Vyčistěte závity a namažte mazivem. Pokud se to nezlepší, vyměňte nárazové kolečko.
Z tlumiče kape mazivo	1. Použití výrobku při polovičním výkonu	1. Vždy produkt používejte na plný plyn.
	2. Mazivo / palivová směs jsou špinavé	2. Použijte čerstvý benzín a správnou syntetickou olejovou směs pro dvoutaktní motory.
	3. Je znečištěný vzduchový filtr.	3. Vyčistěte vzduchový filtr podle pokynů v části Údržba

## HIBAELHÁRÍTÁS




### HA AZ ALÁBBI MEGOLDÁSOK NEM SZÜNTETIK MEG A PROBLÉMÁT, FORDULJON A HIVATALOS SZERVIZHEZ.

Probléma	Lehetséges ok	Megoldás
A motor nem indul be.	1. Nincs szikra.	1. Lehet, hogy meghibásodott a gyújtógyertya. Szerelje le, és ellenőrizze, hogy van-e rajta szennyeződés, illetve repedések. Cserélje ki új gyújtógyertyára.
	2. Nincs üzemanyag	2. Nyomja a primer égőt, amíg az meg nem telik üzemanyaggal. Ha az égő nem telik meg, az elsődleges üzemanyag-szállító rendszer blokkolva van. Vegye fel a kapcsolatot egy hivatalos szervizközponttal. Ha a gumiharang megtelik, a motort előnetheti az üzemanyag. Folytassa a következő lépéssel.
	3. A motor lefulladt.	3. Vegye ki a gyertyát. Fordítsa meg a terméket, hogy a gyújtógyertya furata a talaj felé nézzen. Fordítsa a szívatót  helyzetbe és 10-15 alkalommal húzza meg az indítókábelt. Ez eltávolítja a motorból a felesleges üzemanyagot. Távolítsa el az összes üzemanyagot a termékből. Tisztítsa meg és tegye vissza a gyújtógyertyát. Takarítsa fel a kiömlött üzemanyagot, és újraindítás előtt menjen legalább 9 méterrel arrébb. Húzza meg az indítót háromszor úgy, hogy a szívató  állásban van. Ha a motor nem indul el, a szívatóárcsát forgassa  helyzetbe, majd ismételje meg a normál indítási eljárást. Amennyiben a motor még így sem indul be, ismételje meg a leírakat egy új gyertyával.
	4. Az indítószinórt most nehezebb meghúzni, mint újkorában	4. Vegye fel a kapcsolatot egy hivatalos szervizközponttal.
	5. Régi az üzemanyag.	5. Csak friss, az ajánlott olajjal kevert üzemanyagot használjon. A 30 napnál régebbi üzemanyag megakadályozhatja a gép beindítását.
A motor beindul, de nem gyorsul.	A motornak körülbelül három percre van szüksége a bemelegedéshez.	Hagyja, hogy a motor teljesen bemelegedjen. Ha a motor nem gyorsul fel három percen belül, lépjen kapcsolatba a szervizzel.
A motor beindul, de csak nagy sebességen fut félig nyitott szívatónál.	Be kell állítani a porlasztót.	Vegye fel a kapcsolatot egy hivatalos szervizközponttal.
A motor nem éri el a teljes fordulatszámát és/vagy túlzottan füstöl.	1. Ellenőrizze az üzemanyag keveréket. 2. A légszűrő elszennyeződött. 3. A szikrafogó rács szennyezett.	1. Használjon frissen kevert üzemanyagot, melyben a megfelelő arányban van a kétütemű olaj. 2. Tisztítsa meg a légszűrőt. Tekintse meg a kézikönyv „Légszűrő tisztítása” című szakaszát. 3. Vegye fel a kapcsolatot egy hivatalos szervizközponttal.
A motor beindul, forog és gyorsul, de nem esik vissza a fordulatszám alapjára.	Be kell állítania az üresjárat csavart a karburátoron.	Vegye fel a kapcsolatot egy hivatalos szervizközponttal.
A szál nem forog.	1. A szál összekuszálódott. 2. Nem elegendő szál az orsón. 3. A szál elhasználódott. 4. A szál az orsóra van tekeredve. 5. A motorebesség túl alacsony.	1. Kenje be szilikonspray-vel. 2. Helyezzen fel új szálakat. Lásd ebben a kézikönyvben a „Damil cseréje” című részt. 3. Húzza a szálakat, miközben lenyomja és kioldja az útközőfejet. 4. Távolítsa el a szált az orsóról, majd tekerje vissza. Lásd ebben a kézikönyvben a „Damil cseréje” című részt. 5. Teljes gáz mellett hozza működésbe.
Fű tekeredik a tengelyháza és a feje	1. Magas fű vágása a talaj szintjén 2. A termék használata nem teljes gázzal	1. A nagy füvet fentről lefelé vágja. 2. A terméket mindig teljes fordulatszámán működtesse.
A fejet nehéz elfordítani	A csavarmentek elszennyeződtek vagy megsérültek	Tisztítsa meg a meneteket és kenje be zsírral. Ha nincs javulás, cserélje ki a fejet.
Kenőanyag csöpög a kipufogódoból	1. A termék használata nem teljes gázzal 2. A kenőanyag/üzemanyag keverék szennyezett 3. A légszűrő elszennyeződött.	1. A terméket mindig teljes fordulatszámán működtesse. 2. Használjon friss üzemanyagot és a megfelelő szintetikus kétütemű kenőanyag-keveréket. 3. A Karbantartás szakasz utasításai szerint tisztítsa meg a légszűrőt.






## REMEDIEREA DEFECȚIUNILOR

### DACĂ ACESTE SOLUȚII NU REZOLVĂ PROBLEMA CONTACTAȚI REPREZENTANTUL DVS. AUTORIZAT DE SERVICE.

Problemă	Cauză posibilă	Soluție
Motorul nu pornește.	1. Nu există scânteie la bujie.	1. Bujia poate fi defectă. Demontați-o și verificați urme de fisurare și murdărie. Înlocuiți bujia cu una nouă.
	2. Lipsă combustibil	2. Apăsăți pompa de amorsare până la umplerea acesteia cu combustibil. Dacă pompa de amorsare nu se umple, sistemul principal de alimentare cu combustibil este blocat. Contactați un centru de service autorizat. Dacă filtrul de amorsare se umple, motorul este înecat. Treceți la următorul element.
	3. Motorul este inundat.	3. Scoateți bujia. Întoarceți produsul astfel încât orificiul pentru bujie să fie îndreptat spre sol. Rotiți butonul șocului în poziția  și trageți de firul demarorului de 10-15 ori. Acest lucru va elimina combustibilul în exces din motor. Scoateți combustibilul din produs. Curățați și reinstalați bujia. Curățați combustibilul vărsat și deplasați-vă la cel puțin 9 m față de pată înainte de a reporni produsul. Trageți de firul demarorului de 3 ori, cu șocul în poziția  . Dacă motorul nu pornește, rotiți maneta șocului în poziția  și repetați procedura normală de pornire. Dacă nici acum nu pornește motorul, repetați toate aceste etape cu o bujie nouă.
	4. Firul de pornire este mai greu de tras decât atunci când era nou	4. Contactați un centru de service autorizat.
	5. Combustibil vechi.	5. Utilizați numai combustibil proaspăt amestecat cu ulei recomandat. Combustibilul cu o vechime de peste 30 de zile poate împiedica unitatea să pornească.
Motorul va porni, dar nu va accelera.	Motorul are nevoie de aproximativ 3 minute pentru a se încălzi.	Permiteți motorului să se încălzească. Dacă motorul nu poate fi accelerat după 3 minute, contactați un furnizor de service.
Motorul pornește, dar funcționează doar la turație maximă, cu șocul tras la jumătate.	Trebuie să reglați carburatorul.	Contactați un centru de service autorizat.
Motorul nu atinge regimul maxim și/sau degajă fum în exces.	1. Verificați amestecul de carburant.	1. Utilizați un carburant amestecat recent conținând proporția corectă de ulei în 2 timp.
	2. Filtrul de aer este murdar.	2. Curățați filtrul de aer. Consultați secțiunea "Curățarea filtrului de aer" din acest manual.
	3. Grila parascânteii este murdară.	3. Contactați un centru de service autorizat.
Motorul pornește, merge și accelerează dar se oprește în ralanti.	Șurubul de reglare a ralanti-ului de pe carburator necesită ajustare.	Contactați un centru de service autorizat.
Firul tăietor nu avansează.	1. Firul tăietor este lipit de el însuși.	1. Lubrifiați cu spray siliconic.
	2. Fir insuficient pe mosor.	2. Instalați fir suplimentar, consultați secțiunea "Înlocuirea firului" din acest manual.
	3. Firul este uzat și are o lungime prea mică.	3. Trageți firul apăsând și eliberând succesiv centrul capului tăietor.
	4. Firul tăietor este încurcat pe mosor.	4. Derulați firul de pe mosor și rulați-l la loc, consultați secțiunea "Înlocuirea firului" din acest manual.
	5. Turația motorului este prea mică.	5. Avansați firul la turație maximă.
Iarba se înfășară pe carcasa axului și pe capul de protecție	1. Tăierea ierbii cu firul lung la nivelul solului	1. Tundeți iarba înalt începând de sus.
Butonul de fixare a capului de protecție se rotește greu	2. Motoacoasa rulează la o turație mai mică decât cea nominală	2. Operați întotdeauna produsul la capacitate maximă.
	Filetul șurubului este murdar sau deteriorat	Curățați filetul și ungeți-l cu vaselină. Dacă nu se observă îmbunătățiri, înlocuiți butonul rotativ de fixare a protecției.
Se scurge lubrifiant pe țeava de eșapament	1. Motoacoasa rulează la o turație mai mică decât cea nominală	1. Operați întotdeauna produsul la capacitate maximă.
	2. Lubrifiantul/amestecul de carburant este murdar	2. Utilizați ulei proaspăt și amestecul corect de carburant cu ulei pentru motoare în 2 timp.
	3. Filtrul de aer este murdar.	3. Curățați filtrul de aer conform instrucțiunilor din secțiunea Întreținere



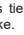
## GEDIMŲ NUSTATYMAS

### JA TAS NEATRISINA PROBLĖMU, SAZINIETIES AR PILNVAROTO APKOPES AĖNTU.

Gedimas	Galima priežastis	Sprendimas
Dzinėju nevar palaist.	1. Nav dzirksteles.	1. Aizdedzes svece var būt bojāta. Noņemiet to un pārbaudiet tā tīrību un plaisas. Nomainiet ar jaunu aizdedzes sveci.
	2. Nav degvielas	2. Atkārtoti nospiediet padeves baloniņu, līdz tas ir pilns ar degvielu. Ja kolba nepieplūdās, ir nosprostojušies primārā degvielas sistēma. Sazinieties ar autorizētu servisa centru. Ja uzsūkšanās pūslītis ir pilns, dzinējs var būt pārplūdis. Turpiniet ar nākošo soli.
	3. Pārplūdis dzinējs.	3. Izņemiet sveci. Pagrieziet izstrādājumu tā, lai aizdedzes sveces atvere ir pret zemi. Pagrieziet padeves vārsta ripu  stāvoklī un pavelciet startera auklu 10 līdz 15 reizes. No dzinēja tiks iztīrīta liekā degviela. Atbrīvojiet produktu no degvielas. Izlīniet un uzlieciet atpakaļ aizdedzes sveci. Savāciet jebkādu izlijušo degvielu un atvīzieties no tās vismaz 9 m attālumā, pirms atkārtoti iedarbināt dzinēju. Pavelciet starteri trīs reizes, ar pieplūdes vārsta ripu stāvoklī  . Ja dzinējs nesāk darboties, pagrieziet degvielas pieplūdes disku  stāvoklī un atkārtojiet normālu palaišanas procedūru. Ja dzinējs vēl arvien nav iedarbināms, atkārtojiet šīs darbības ar jaunu sveci.
	4. Startera auklu tagad grūtāk pavilkt kā jaunam.	4. Sazinieties ar autorizētu servisa centru.
	5. Veca degviela.	5. Izmantojiet tikai svaigu degvielu, kas sajaukta ar ieteicamo eļļu. Ja degviela ir vairāk nekā 30 dienas veca, ierīce var neiedarboties.
Dzinējs iedarbojas, bet neuzņem apgrīzienus.	Dzinējam nepieciešamas aptuveni trīs minūtes, lai uzsiltu.	Ļaujiet dzinējam pilnīgi uzsilt. Ja dzinēju nevar paātrināt pēc trīs minūtēm, sazinieties ar apkalpojošo izplatītāju.
Dzinēju var palaist, bet tas darbojas tikai ar lieliem apgrīzieniem un ar līdz pusei atvērta pieplūdi.	Ir nepieciešams iestatīt karburatoru.	Sazinieties ar autorizētu servisa centru.
Dzinējs nesasniedz pilnu jaudu, un/vai izdalās pārāk daudz dūmu.	1. Jāpārbauda, vai degviela pareizi sajaukta.	1. Izmantojiet svaigi sajauktu degvielu, kurā izmantots pareizs daudzums divtaktu dzinējiem domātas eļļas.
	2. Gaisa filtrs ir aizsērējis.	2. Izlīniet gaisa filtru. Skatīt sadaļu "Gaisa filtra tīrīšana" šajā rokasgrāmatā.
Dzinējs sāk strādāt, griežas, bet nepārslēdzas tukšgaitā.	3. Pretdzirksteļu režģis ir aizsērējis.	3. Sazinieties ar autorizētu servisa centru.
	Nepieciešams veikt karburatora tukšgaitas skrūves regulēšanu.	Sazinieties ar autorizētu servisa centru.
	1. Aukla sakususi kopā.	1. Iesmērējiet ar silikona aerosolu.
	2. Uz spoles nav pietiekami daudz auklas.	2. Uzstādiet vairāk auklas. Skatīt šīs rokasgrāmatas sadaļu "Auklas nomaiņa".
	3. Aukla nodilusī pārāk īsa.	3. Izvelciet auklu pārmaiņus nospiežot un atlaižot uzsītamogu.
Aukla neiznāk no spoles.	4. Aukla sapinusies uz spoles.	4. Noņemiet auklu no spoles un ietiniet atpakaļ. Skatīt šīs rokasgrāmatas sadaļu "Auklas nomaiņa".
	5. Dzinēja apgrīzieni pārāk zemi.	5. Izlaidiet auklu pie maksimāliem apgrīzieniem.
	1. Garas zāles griešana pie pašas zemes	1. Pļaujiet garu zāli no augšas uz leju.
	2. Izstrādājuma lietošana ar daļēji atvērta drošeli	2. Ierīci vienmēr darbiniet ar pilniem apgrīzieniem.
	Atsītienu poga ir grūti pagriežama	Skrūvju vītnes ir netīras vai bojātas
No trokšņu slāpētāja pil smērviela	1. Izstrādājuma lietošana ar daļēji atvērta drošeli	1. Ierīci vienmēr darbiniet ar pilniem apgrīzieniem.
	2. Smērviela/degvielas maisījums ir netīrs	2. Izmantojiet svaigu un pareizu sintētiskas 2-taktu smērvielas maisījumu.
	3. Gaisa filtrs ir aizsērējis.	3. Izlīniet gaisa filtru saskaņā ar norādēm sadaļā Kopšana




## GEDIMŲ NUSTATYMAS

JEI, TAIKANT ŠIAME SKYRIUJE PATEIKTAS PRIEMONES, GEDIMAI NEPAŠALINAMI, KREIPKITĖS Į ĮGALIOŲ TECHNINĖS PRIEŽIŪROS ATSTOVĄ.

Gedimas	Galima priežastis	Sprendimas
Variklis neužsiveda.	1. Nėra kibirkšties.	1. Kyla pavojus sugadinti uždegimo žvakę. Nuimkite ir tikrinkite, ar ji švari ir neįtrūkusi. Pakeiskite nauja uždegimo žvakę.
	2. Nėra degalų	2. Suspauskite guminį suspaudžiamąjį siurbį (guminė „kriaušė“), kol jis pripildys degalų. Jeigu guminis suspaudžiamasis siurblys (guminė „kriaušė“) neužpildomas, užblokuota pirminė degalų tiekimo sistema. Kreipkitės į įgaliotą techninės priežiūros centrą. Jei variklio užpildymo spaudiklis užpildytas, variklis gali būti užlietas. Žr. kitą punktą.
	3. Variklis apsemtas.	3. Išimkite žvakę. Pasukite įrenginį taip, kad uždegimo žvakės anga būtų atsukta į žemę. Droselinę sklendę nustatykite į padėtį  padėtį ir paleidkilo virvelę patraukite 10–15 kartų. Tokiu būdu išvalomas kuro perteklius iš variklio. Išplikite visą kurą iš prietaiso. Nuvalykite ir įdėkite uždegimo žvakę. Išvalykite visus išsiliejusius degalus ir prieš vėl paleisdami variklį pasitraukite nuo jų bent 9 m. Patraukite paleidiklį tris kartus, kai droselinę sklendę nustatyta į padėtį  . Jei variklis nepasileidžia, pasukite droselinę sklendę į  padėtį, tada pakartokite įprastą paleidimo procedūrą. Jei variklis vis tiek neįsijungia, tai pakartokite šiuos skirtingus etapus su nauja žvakę.
	4. Starterio trosą traukti sunkiau nei tada, kai įrenginys buvo naujas	4. Kreipkitės į įgaliotą techninės priežiūros centrą.
	5. Senas kuras.	5. Naudokite tik šviežią kurą, sumaišytą su rekomenduojama alyva. Jei kuras yra prietaise daugiau nei 30 dienų, dėl to jis gali neužsivesti.
Variklis įsijungia, bet sukimosi greitis nedidėja.	Variklis įšyla apytikriai per tris minutes.	Palaukite, kol variklis tinkamai įšyla. Jeigu variklis po trijų minučių neveikia būtinu sūkių dažniu, susisiekite su įgaliotuoju platintoju.
Variklis užsiveda, tačiau veikia tik tokiu sūkių dažniu, kuris užtikrinamas droselinę sklendę nustačius į vidurinę padėtį.	Reikia sureguliuoti karbiuratorių.	Kreipkitės į įgaliotą techninės priežiūros centrą.
Variklis nepasiekia savo pilno greičio ir/ar išskiria per daug dūmų.	1. Patikrinkite degalų mišinį.	1. Naudokite neseniai sumaišytus degalus, turinčius gerą alyvos 2 taktų varikliams proporciją.
	2. Oro filtras purvinas.	2. Išvalykite oro filtrą. Žr. šio vadovo skyrių „Oro filtro valymas“.
	3. Kibirkščių gesiklio grotelės yra purvinos.	3. Kreipkitės į įgaliotą techninės priežiūros centrą.
	Tuščiosios eigos sūkių dažnio sraigtą karbiuratoriuje būtina reguliuoti.	Kreipkitės į įgaliotą techninės priežiūros centrą.
	1. Vietlos galai suldyti.	1. Sutepkite silikoniniu purškalu.
Variklis įsijungia, sukasi ir pagreitėja, bet neveikia tuščios eigos režime.	2. Ant ritės likusi per trumpa viela.	2. Įtaisykite daugiau pjovimo vielų. Žr. „Vielos keitimas“ šioje instrukcijoje.
	3. Viela nudilo ir per trumpa.	3. Traukite vielą pakaitomis ją spausdami žemyn bei atleisdami žoliapjovės vielos tiekimo galvutę.
	4. Viela susinarpliojusi ant ritės.	4. Pašalinkite vielą iš ritės ir vėl suvyniokite. Žr. „Vielos keitimas“ šioje instrukcijoje.
	5. Variklio sūkių dažnis yra per žemas.	5. Vielos tiekimas iki galo nuspaudus droselinės sklendės reguliatorių.
	1. Aukšta žolė pjaunama žemės lygyje	1. Aukštą žolę pjaukite nuo viršaus į apačią.
Aplink veleno korpusą ir spyruoklinę galvutę apsviniojo žolį	2. Įrenginys naudojamas nustačius dalinę droselio padėtį	2. Prietaisą visada naudokite iki galo nuspaudę droselinę rankeną.
	Varžtų sriegiai užteršti arba sugadinti	Valykite sriegius ir tepkite juos tepalu. Jei situacija nepagerėjo, pakeiskite spyruoklinę galvutę.
Iš duslintuvo laša tepalas	1. Įrenginys naudojamas nustačius dalinę droselio padėtį	1. Prietaisą visada naudokite iki galo nuspaudę droselinę rankeną.
	2. Tepalo ir degalų mišinys yra nešvarus	2. Naudokite šviežią degalų ir tinkamos sintetinės 2 taktų variklių alyvos mišinį.
	3. Oro filtras purvinas.	3. Valykite oro filtrą vadovaudamiesi skyriuje „Techninė priežiūra“ pateiktais nurodymais.

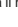


## RIKKEOTSING

### KUI SELLE LAHUSE KASUTAMINE EI AITA, SIIS PÖÖRDUGE MEIE VOLITATUD HOOLDAJA POOLE.

Probleem	Võimalik põhjus	Lahendus
Mootor ei käivitu.	1. Süüde puudub.	1. Süüteküünal võib olla kahjustatud. Võtke see ära ning kontrollige, kas see on must või on sellel praod. Asendage uue süüteküünalaga.
	2. Kütust ei ole	2. Vajutage bensiinipumba nuppu, kuni see täitub. Kui bensiinipumba nupp ei täitu, on küttesüsteem ummistunud. Võtke ühendust volitatud hoolduskeskusega. Kui bensiinipumba nupp täitub, võib mootor olla üleujutatud. Vt järgmist punkti.
	3. Mootor on üle ujutatud.	3. Eemaldage süüteküünal. Keerake toode nii, et süüteküünla auk on maapinna poole. Keerake õhuklapp asendisse  ja tõmmake starteri trossi 10 kuni 15 korda. See hõlbustab kütuseaurude eemaldumist mootorist. Valage kogu kütus välja. Puhastage süüteküünal ja pange siis oma kohale tagasi. Koristage ära maha voolanud kütus ja enne tööriista taaskäivitamist mingi sellest kohast vähemalt 9 m kaugusele. Tõmmake starterit kolm korda, kui õhuklapp on asendis  . Kui mootor ei käivitu, keerake õhuklapp asendisse  ja seejärel korra tavapärast käivitamist. Kui mootor ikka ei käivitu, korra protseduuri uue süüteküünalaga.
	4. Starteri trossi nüüd raskem tõmmata kui uue.	4. Võtke ühendust volitatud hoolduskeskusega.
	5. Vana kütus.	5. Kasutage ainult värsket kütust ja soovitatud õli. Kui kütus on vanem kui 30 päeva, siis see võib takistada käivitumist.
Mootor käivitus, kuid ei võta pööreid üles.	Mootori soojenemiseks kulub umbes kolm minutit.	Laske mootoril korralikult soojaks minna. Kui mootor ei võta pööreid üles kolme minuti jooksul, võtke ühendust hooldusfirmaga.
Mootor käivitus, kuid töötab täispöoretel ainult siis, kui õhuklapp on osaliselt kinni.	Karburaator vajab reguleerimist.	Võtke ühendust volitatud hoolduskeskusega.
Mootor ei jõua täispöoreteni ja/või suitseb.	1. Kontrollige kütusesegu.	1. Kasutage värsket kütust ja õiget sünteetilist kahetaktiist õlisegu.
	2. Õhufilter on puhastamata.	2. Puhastage õhufilter. Vaadake kasutusjuhendi osa "Õhufiltri puhastamine".
	3. Sädemekaitse on puhastamata.	3. Võtke ühendust volitatud hoolduskeskusega.
Mootor käivitus ja kiirendab, kuid ei tööta tühikäigul.	Karburaatori tühikäigu kruvi vajab reguleerimist.	Võtke ühendust volitatud hoolduskeskusega.
Jõhvi ei tule ette.	1. Jõhvi on kokku kleepunud.	1. Määrige silikoon spray'ga.
	2. Poolil ei ole piisavalt jõhvi.	2. Kerige poolile jõhvi juurde. Vaadake kasutusjuhendi osa "Jõhvi vahetamine".
	3. Jõhvi on liiga lühike.	3. Tõmmake jõhve ja vajutage vastusnuppu üles-alla.
	4. Jõhvi on poolil sassis.	4. Eemaldage jõhvi poolilt ja kerige uuesti. Vaadake kasutusjuhendi osa "Jõhvi vahetamine".
	5. Mootori pöörded on liiga madalad.	5. Andke jõhvi ette täisgaasil.
Rohi keerdub ümber võlli korpuse ja löikepea	1. Kõrge rohu lõikamine maapinnalt 2. Toode ei tööta täisvõimsusel	1. Lõigake kõrget rohtu suunaga ülevalt alla. 2. Töötage trimmeriga alati täispöoretel.
Puutenuppu on raske keerata	Kruvikeermed on mustad või kulunud	Puhastage keermed ja määrige. Kui olukord ei parane, vahetage puutenupp välja.
Summutist tilgub õli	1. Toode ei tööta täisvõimsusel	1. Töötage trimmeriga alati täispöoretel.
	2. Õli/kütusesegu on must	2. Kasutage värsket kütuse ja õige sünteetilise 2-taktiilise mootorite õli segu.
	3. Õhufilter on puhastamata.	3. Puhastage õhufilter vastavalt hooldusosas antud juhistele




## OTKLANJANJE SMETNJI

AKO OVA RJEŠENJA NE DOVEDU DO RJEŠENJA PROBLEMA, OBRATITE SE OVLAŠTENOM DAVATELJU SERVISA.

Problem	Mogući uzrok	Rješenje
Motor se ne pokreće.	1. Nema iskre.	1. Možda je oštećena svjećica motora. Skinite ga i provjerite ima li na njemu prljavštine i napuklina. Zamijenite novom svjećicom.
	2. Nema goriva	2. Pritisnite pumpicu za gorivo sve dok se ona ne ispunji gorivom. Ako se pumpica goriva ne ispunjava gorivom, glavni sustav za dobavu goriva je blokiran. Obratite se ovlaštenom servisnom centru. Ako je pumpica za gorivo napunjena, motor bi mogao biti preplavljen. Prijedite na sljedeću stavku.
	3. Motor je potopljen.	3. Uklonite svjećicu. Uključite proizvod tako da je otvor svjećice usmjeren prema tlu. Okrenite kolo rasplinjača na položaj  i povucite uzicu za pokretanje 10 do 15 puta. Ovo će očistiti višak goriva iz motora. Uklonite svo gorivo iz uređaja. Očistite i ponovno postavite svjećicu. Očistite svo proliveno gorivo i odmaknite se barem 9 m daleko prije ponovnog pokretanja. Povucite ručicu za pokretanje tri puta s kolom rasplinjača namještenim na  . Ako se motor ne pokrene, okrenite čok u položaj  i potom ponovite normalni postupak pokretanja. Ako se motor još uvijek ne pali, ponovite ove različite etape s novom svjećicom.
	4. Uzica pokretača sada se teže povlači nego kada je nova	4. Obratite se ovlaštenom servisnom centru.
	5. Staro gorivo.	5. Koristite samo svježije gorivo pomiješano s preporučenim uljem. Gorivo staro preko 30 dana može spriječiti pokretanje jedinice.
Motor se pokreće ali ne ubrzava.	Motoru treba oko tri minute da se zagrije.	Pustite da se motor potpuno zagrije. Ako se motor ne ubrza nakon tri minute, obratite se ovlaštenom serviseru.
Motor se pokreće ali radi samo na visokom broju okretaja s pola otvorene prigušnice (čoka).	Treba podesiti karburator.	Obratite se ovlaštenom servisnom centru.
Motor ne postiže svoj puni režim i/ili spušta previše dima.	1. Provjerite mješavinu goriva.	1. Rabite gorivo nedavno miješano, koje sadržava dobar odnos dvosintetiziranoga ulja.
	2. Zračni filter je zaprljan.	2. Očistite zračni filter. Pogledajte odjeljak „Čišćenje filtra za zrak” u ovom priručniku.
	3. Štitnik za zaustavljanje iskri je prljav.	3. Obratite se ovlaštenom servisnom centru.
Motor se pali i ubrzava, ali ne postiže leri.	Potrebno je izvršiti podešavanje vijka praznog hoda na rasplinjaču.	Obratite se ovlaštenom servisnom centru.
Rezna nit se ne izvlači.	1. Rezna nit je slijepljena.	1. Podmažite silikonskim sprejom.
	2. Na kalemu nema dovoljno rezne niti.	2. Namotajte još rezne niti. Pogledajte poglavlje pod naslovom "Zamjena rezne niti" u ovom priručniku.
	3. Rezna nit je istrošena i prekratka.	3. Vucite reznu nit i istovremeno naizmjenično pritišćite i otpuštajte glavu trimera.
	4. Rezna nit je zapetjana na kalemu.	4. Uklonite reznu nit s kalemata i ponovno je namotajte. Pogledajte poglavlje pod naslovom "Zamjena rezne niti" u ovom priručniku.
	5. Preniska brzina okretaja motora.	5. Izvucite reznu nit pri punom gasu.
Trava je omotana oko kućišta osovine i glave rezne niti	1. Rezanje visoke trave u razini s tlom	1. Visoku travu režite od vrha prema dolje.
	2. Upravljanje proizvodom uz djelomični gas	2. Uvijek radite s proizvodom pod punim gasom.
Gumb za otpuštanje se teško okreće	Navoji vijaka su prljavi ili oštećeni	Očistite navoje i podmažite ih mašću. Ako nema poboljšanja, zamijenite gumb za otpuštanje.
Mazivo kapa iz prigušivača	1. Upravljanje proizvodom uz djelomični gas	1. Uvijek radite s proizvodom pod punim gasom.
	2. Mješavina maziva/goriva je prljava	2. Upotrijebite svježije gorivo i ispravnu sintetičku mješavinu dvotaktnog maziva.
	3. Zračni filter je zaprljan.	3. Očistite filter zraka u skladu s uputama u dijelu Održavanje.




## ODPRAVLJANJE NAPAK

### ČE TE REŠITVE NE ODPRAVIJO TEŽAVE, SE POSVETUJTE S POOBLAŠČENIM SERVISERJEM.

Problem	Možen vzrok	Rešitev
Motor sa nedá naštartovať.	1. Ni iskrenja.	1. Morda je poškodovana vžigalna svečka. Odstranite ga in pregledjte, če je umazano in ali so na njem razpoke. Vymenite za novú zapalovaciú svečko.
	2. Ni goriva	2. Stláčajte gumový balónik, kým sa nenaplní palivom. Ak sa gumový balónik nenaplní palivom, obehový systém paliva je upchaný. Se obrnite na pooblaščený servisní center. Če je pumpica goriva polná, je gorivo morda zalilo motor. Nadalujte na naslednjí korak.
	3. Motor je zalit.	3. Odstranite vžigalno svečko. Obrnite napravo tako, da je odprtina za vžigalno svečko obrnjena proti tlom. Otočte nastavovacie koliesko sýtiča do polohy  a potiahnite lanko štartéra 10 až 15 krát. To bo počistilo odvečno gorivo iz motorja. Odstranite gorivo iz izdelka. Očistite in ponovno vstavite vžigalno svečko. Zberite razlito gorivo in se pred ponovným zagonom umaknite na vzdialjo vsaj 9 metrov. Potiahnite štartér trikrát s nastavovacím kolieskom sýtiča na  . Če se motor ne zažene, ročico za plín premaknite v položaj  in ponovite postopek za običajní zagon. Če motor še vedno noče vžgati, ponovite postopek z novo svečko.
	4. Vrvico zaganjalníka je zdaj težje povleči, kot takrat, ko je bila nova.	4. Se obrnite na pooblaščený servisní center.
	5. Staro gorivo.	5. Uporabíte samo sveže gorivo, zmešano s príporočením oljem. Gorivo, ki je starejše od 30 dní, lahko onemogóči zagon enote.
Motor se zažene, vendar deluje pri enakomerní hitrosti brez pospeševanja.	Motor potrebuje na zahriatie približne tri minúty.	Nechajte motor úplne sa zahriať. Ak ani po troch minútach motor nezrýchli, obráťte sa na zástupcu servisu.
Motor naštartuje, ale beží na plný výkon iba v polotvorenej polohe.	Uplinjač je treba nastaviť.	Se obrnite na pooblaščený servisní center.
Motor ne doseže polné hitrosti ali oddáva preveč dima.	1. Preveríte mešanico olja in goriva.	1. Uporabíte sveže gorivo in pravilno razmerje 2-taktne mešanice olja.
	2. Umazan zrační filter.	2. Očistíte zrační filter. Glejte poglavje »Čišćenje zračnega filtra« v tem príručíku.
	3. Umazan zaslon omejevalca iskrenja.	3. Se obrnite na pooblaščený servisní center.
Motor vžge, teče in pospešuje, vendar ne teče na prázno.	Skrutka voľnoběžných otáčok na karburátore vyžaduje nastavenie.	Se obrnite na pooblaščený servisní center.
Struna sa neposúva.	1. Struna sa privarila k sebe.	1. Premazávajte so silikónovým sprejom.
	2. Na cievke je málo struny.	2. Nainštalujte novú strunu. Glejte poglavje "Menjava vrvice" v tem príručíku.
	3. Struna sa príliš rýchlo opotrebuje.	3. Navíjajte struny pri súčasnóm striedavóm stlačovaní a uvoľňovaní hlavy.
	4. Struna je zamotaná na cievke.	4. Odstráňte strunu z cievky a navíťte ju znovu. Glejte poglavje "Menjava vrvice" v tem príručíku.
	5. Otáčky motora sú príliš nížke.	5. Vysuňte strunu pri plnom zažatí motora.
Trava se ovíja okrog ohišja gredi in odbíjača glave.	1. Rezanje visoke trave v nivoju tal 2. Rokovanie z napravo z delno odprto dušílno loputo.	1. Vysokú trávu koste zhora nadol. 2. Izdelek vedno uporabljajte s polním plínom.
Gumb odbíjača se s težavo obrne.	Navoji so umazani ali poškodovaní.	Očistíte navoje in jih podmažite z mazivóm. Če se stanje ne izboljša, zamenjajte gumb odbíjača.
Mazivo kaplja z glušníka.	1. Rokovanie z napravo z delno odprto dušílno loputo.	1. Izdelek vedno uporabljajte s polním plínom.
	2. Mešanica maziva/goriva je umazana.	2. Uporabíte mešanico svežega olja in ustrezného sintetičného dvotaktného maziva.
	3. Umazan zrační filter.	3. Očistíte zrační filter v skladi z navodilí v poglavju o vzdrževaní.




## RIEŠENIE PROBLÉMOV

AK TIETO RIEŠENIA NEPOMÔŽU ODSTRÁNIŤ PROBLÉM, OBRÁŤTE SA NA VÁŠHO AUTORIZOVANÉHO PREDAJCU.

Problém	Možná príčina	Riešenie
Motor sa nedá naštartovať.	1. Žiadna iskra.	1. Možno je poškodená zapaľovacia sviečka. Odmontujte ho a skontrolujte na nečistoty a praskliny. Vymeňte za novú zapaľovaciu sviečku.
	2. Žiadne palivo	2. Stláčajte gumový balónik, kým sa nenaplní palivom. Ak sa gumový balónik nenaplní palivom, obehový systém paliva je upchaný. Obráťte sa na autorizované servisné centrum. Ak sa gumový balónik naplní palivom, možno je zaplavený motor. Prejdite na ďalší bod.
	3. Motor je zahľtený.	3. Vyberte zapaľovaciu sviečku. Otočte výrobok tak, aby otvor zapaľovacej sviečky smeroval na zem. Otočte nastavovacie koliesko sýtiča do polohy  a potiahnite lanko štartéra 10 až 15 krát. Tým sa odstráni zvyšky paliva z motora. Odstráňte zo zariadenia všetko palivo. Vyčistite a znova namontujte zapaľovaciu sviečku. Akékoľvek rozliate palivo ihneď utrite a pred opakovaným spustením sa postavte do vzdialenosti 9 m od miesta, kde ste nalievali benzín do nádrže. Potiahnite štartér trikrát s nastavovacím kolieskom sýtiča na  . Ak motor nenaštaruje, nastavte páčku sýtiča do polohy sýtiča  a zopakujte postup štandardného spustenia. Ak sa aj napriek vykonaným úkonom nepodarí motor naštartovať, vykonajte celý postup ešte raz s novou zapaľovacou sviečkou.
	4. Štartovacie lanko sa teraz ťažšie vyťahuje, ako keď bolo nové	4. Obráťte sa na autorizované servisné centrum.
	5. Staré palivo.	5. Používajte len čerstvé palivo zmiešané s odporúčaným olejom. Palivo staršie ako 30 dní môže znemožniť spustenie zariadenia.
Motor naštartuje, ale nie je možné zvýšiť otáčky.	Motor potrebuje na zahriatie približne tri minúty.	Nechajte motor úplne sa zahriať. Ak ani po troch minútach motor nezrýchli, obráťte sa na zástupcu servisu.
Motor naštartuje, ale beží na plný výkon iba v polootvorenej polohe.	Je potrebné zoradiť karburátor.	Obráťte sa na autorizované servisné centrum.
Motor nedosiahne plné otáčky alebo sa z neho dymí.	1. Skontrolujte palivovú zmes.	1. Použite čerstvú palivovú zmes obsahujúcu správny pomer oleja pre dvojtaktné motory.
	2. Je znečistený vzduchový filter.	2. Vyčistite vzduchový filter. Pozrite si „Údržba - Čistenie vzduchového filtra“.
	3. Je znečistená mriežka lapača iskiere.	3. Obráťte sa na autorizované servisné centrum.
Naštartovanie, chod a zrýchlenie motora je normálne, ale nie je možné udržať voľnobeh.	Skrutka voľnoběžných otáčok na karburátore vyžaduje nastavenie.	Obráťte sa na autorizované servisné centrum.
Struna sa neposúva.	1. Struna sa privarila k sebe.	1. Premazávajte so silikónovým sprejom.
	2. Na cievke je málo struny.	2. Nainštalujte novú strunu. Pozrite si „Výmenu struny“ v tejto príručke.
	3. Struna sa príliš rýchlo opotrebuje.	3. Navíjajte struny pri súčasnom striedavom stlačovaní a uvoľňovaní hlavy.
	4. Struna je zamotaná na cievke.	4. Odstráňte strunu z cievky a navíňte ju znovu. Pozrite si „Výmenu struny“ v tejto príručke.
	5. Otáčky motora sú príliš nízke.	5. Vysuňte strunu pri plnom zaťažení motora.
Tráva sa namotala okolo krytu hriadeľa a strunovej hlavy	1. Kosenie dlhej trávy na povrchu zeme	1. Vysokú trávu koste zhora nadol.
	2. Prevádzka výrobku na polovičný plyn	2. So zariadením vždy pracujte na plný plyn.
Otočný gombík sa ťažko otáča	Závitý skrutky sú znečistené alebo poškodené	Vyčistite závit a namažte mazivom. Ak nedôjde k žiadnemu zlepšeniu, vymeňte otočný gombík.
Z tlmíča výfuku kvapká mazivo	1. Prevádzka výrobku na polovičný plyn	1. So zariadením vždy pracujte na plný plyn.
	2. Mazivo/palivová zmes je znečistená	2. Použite nové palivo a správnu zmes syntetických mazív pre 2-taktné motory.
	3. Je znečistený vzduchový filter.	3. Vzduchový filter vyčistite podľa pokynov v časti „Údržba“.

## ОТСТРАНЯВАНЕ НА ПРОБЛЕМИ




АКО СЛЕДНИТЕ РЕШЕНИЯ НЕ ОТСТРАНЯВАТ ПРОБЛЕМА, ОБЪРНЕТЕ СЕ КЪМ СВОЯ УПЪЛНОМОЩЕН СЕРВИЗЕН ПРЕДСТАВИТЕЛ.

Проблем	Възможна причина	Решение
Двигателят не стартира.	1. Няма искра.	1. Запалителната свещ може да е повредена. Извадете острieto и го проверете за замърсяване и пукнатини. Сменете с нова запалителна свещ.
	2. Няма гориво	2. Натиснете бутона за подкачване на гориво, докато се напълни с гориво. Ако бутонът не се напълни, главната горивоприеносна система е блокирана. Свържете се с упълномощен сервизен център. Ако помпата за подкачване на гориво се напълни, двигателят може да се задави. Вижте следващата точка.
	3. Двигателят е задавен.	3. Извадете свещта. Завъртете продукта така, че отворът за запалителната свещ да сочи към земята. Завъртете дроселната врътка в позиция  и дръпнете въжето за стартиране между 10 и 15 пъти. Това ще изчисти излишното гориво от двигателя. Отстранете горивото от продукта. Почистете и вкарайте отново запалителната свещ. Почистете разлятото гориво и се дръпнете поне 9 м, преди да стартирате повторно. Издърпайте стартера три пъти с дроселната врътка на позиция  . Ако двигателят не се стартира, поставете дроселния лост на позиция  и след това повторете стандартната процедура за стартиране. Ако двигателят отново не тръгне, повторете различните етапи с нова свещ.
	4. Въжето за стартиране се дърпа по-трудно, отколкото когато е ново.	4. Свържете се с упълномощен сервизен център.
	5. Старо гориво.	5. Използвайте само прясно гориво, смесено с препоръчано масло. Гориво, престояло над 30 дни, може да попречи на уреда да се стартира.
Моторът се стартира, но не ускорява.	Необходими са около три минути, за да загрее двигателят.	Изчакайте, докато двигателят загрее напълно. Ако двигателят не се ускори след три минути, свържете се със сервизен представител.
Двигателят се стартира, но работи на висока скорост само на полу-дросел.	Карбураторът трябва да се регулира.	Свържете се с упълномощен сервизен център.
Двигателят не достига максимална мощност и/или изпуска твърде много дим.	1. Проверете горивната смес.	1. Използвайте прясно смесено гориво с правилно съотношение на масло за двутактови двигатели
	2. Въздушният филтър е замърсен.	2. Почистете въздушния филтър. Вижте „Почистяване на въздушния филтър“ в това ръководство.
	3. Искрогасителната решетка е замърсена.	3. Свържете се с упълномощен сервизен център.
Двигателят тръгва, работи и ускорява, но не поддържа празен ход.	Необходимо е регулиране на скоростта при празен ход посредством винта на карбуратора.	Свържете се с упълномощен сервизен център.
Кордата не се придвижва.	1. Кордата се е оплела в себе си.	1. Смажете със силиконов спрей.
	2. Няма достатъчно копрда на макарата.	2. Поставете повече корда. Вижте „Смяна на въжето за стартиране“ в настоящото ръководство.
	3. Отпуснат е прекалено къса корда.	3. Издърпайте корда, като последователно натискате и отпускате тласкащата глава.
	4. Кордата се е замотала в макарата.	4. Отделете кордата от макарата и пренавийте. Вижте „Смяна на въжето за стартиране“ в настоящото ръководство.
	5. Скоростта на двигателя е прекалено ниска.	5. Отпуснете корда на максимална скорост.
Около корпуса на задвижващия вал и тласкащата глава се е оплела трева	1. Рязане на високи стръкове трева на нивото на земята	1. Режете високата трева от горе надолу.
	2. С продукта е работено на непълна скорост	2. Винаги използвайте продукта на пълна скорост.
Врътката за тласкане се върти трудно	Винтовата резба е замърсена или повредена	Почистете резбата и смажете със смазочна течност. Ако няма подобрение, сменете врътката за тласкане.
От заглушителя се оттича масло	1. С продукта е работено на непълна скорост	1. Винаги използвайте продукта на пълна скорост.
	2. Маслогоривната смес е замърсена	2. Използвайте прясно гориво и подходяща двутактова смазочна смес.
	3. Въздушният филтър е замърсен.	3. Почистете въздушния филтър според указанията в раздел „Поддръжка“.






## ПОШУК І УСУНЕННЯ НЕСПРАВНОСТЕЙ

ЯКЩО ПРОБЛЕМА НЕ ВИРІШУЄТЬСЯ, ЗВЕРНІТЬСЯ ДО АВТОРИЗОВАНОГО СЕРВІСНОГО ЦЕНТРУ.

Проблема	Можливі причини	Рішення
Двигун не заводиться.	1. Відсутня іскра.	1. Свічка запалення може бути пошкоджена. Змініть його та перевірте його на забруднення та відколи. Замініть новою свічкою запалювання.
	2. Паливо відсутнє	2. Натискайте на грушу праймера доки вона не заповниться паливом. Якщо груша не заповнюється, первинну систему подачі палива заблоковано. Зверніться до авторизованого сервісного центру. Якщо груша насосю наповнюється, двигун може бути залитий. Перейдіть до наступного пункту.
	3. Двигун залитий.	3. Змініть свічку запалювання. Поверніть пристрій таким чином, щоб отвір свічки запалювання був спрямований вниз. Встановіть важіль дроселя у положення  та потягніть за трос стартера 1015 разів. Таким чином з двигуна видалиться надлишок палива. Видаліть паливо з приладу. Прочистіть та перевстановіть свічку запалювання. Перед повторним запуском приборить пролите паливо, таким чином, щоб його залишків не було в радіусі 9 метрів. Потягніть стартер тричі зі шкальною дроселя на  . Якщо двигун не запускається, встановіть важіль дроселя у положення  і повторіть стандартну процедуру запуску. Якщо двигун все одно не запускається, повторіть вищенаведені кроки, встановивши нову свічку запалення.
	4. Мотузку стартеру складніше тягнути, ніж коли прилад був новим.	4. Зверніться до авторизованого сервісного центру.
	5. Старе паливо	5. Використовуйте тільки свіже паливо в комбінації з рекомендованим мастилом. В разі використання палива, термін виготовлення якого перевищує 30 днів, прилад може не запуститися.
Двигун запускається, але не набирає обертів.	Двигуну потрібно приблизно три хвилини для розігріву.	Дозвольте двигуну повністю прогрітися. Якщо двигун не прискорюється через три хвилини, зверніться до дилера з обслуговування.
Двигун запущений, але на великій швидкості працює тільки на половині дроселя.	Необхідно відрегулювати карбюратор.	Зверніться до авторизованого сервісного центру.
Двигун не працює на повних оборотах та/чи сильно димить.	1. Перевірте паливно-мастильну суміш.	1. Використовуйте свіже паливо з правильною пропорцією 2-тактного масла.
	2. Забруднено повітряний фільтр.	2. Очищувальний повітряний фільтр Зверніться до розділу "Очищення повітряного фільтра" в цій інструкції з використання.
	3. Забруднено екран іскрогасника.	3. Зверніться до авторизованого сервісного центру.
Двигун запускається, працює на повних обертах, але не переходить на холостий хід. Ліска не просувається.	Необхідно відкоригувати гвинт холостого ходу на карбюраторі	Зверніться до авторизованого сервісного центру.
	1. Ліска склеїлась.	1. Змажте за допомогою силіконового спрею.
	2. Недостатня кількість ліски на катушці.	2. Вставте додаткову ліску. Зверніться до розділу "Заміна волосіння" цього керування з використання.
	3. Ліска занадто коротка.	3. Тягніть ліску та при цьому поперемінно натискайте вниз та відпускайте робочу головку.
	4. Ліска заплуталась у катушці.	4. Витягніть ліску з катушки та перемотайте. Зверніться до розділу "Заміна волосіння" цього керування з використання.
Трава намотується на корпус валу та робочу головку	5. Швидкість двигуна занадто повільна.	5. Просувайте ліску, увімкнувши повну потужність.
	1. Зрізання високої трави на рівні землі.	1. Зрізайте високу траву з вершини донизу.
	2. Експлуатація приладу із частково відкритою дросельною заслінкою	2. Завжди працюйте з приладом на повній потужності.
Ручку робочої головки важко повертати.	Гвинтове різьблення забруднено або пошкоджено.	Очистіть різьблення та змастіть. Якщо це не допомогло, замініть ручку робочої головки.
Олива капає з глушника	1. Експлуатація приладу із частково відкритою дросельною заслінкою	1. Завжди працюйте з приладом на повній потужності.
	2. Олива/паливна суміш забруднена	2. Використовуйте свіже паливо та належну синтетичну мастильну суміш для 2-тактного двигуна.
	3. Забруднено повітряний фільтр.	3. Почистіть, дотримуючись інструкцій, викладених у розділі про технічне обслуговування.

## SORUN GİDERME

EĞER BU ÇÖZÜMLER SORUNUNUZU ÇÖZMEZSE YETKİLİ SERVİS BAYİNİZİ ARAYIN.

Sorun	Olası nedeni	Çözümü
Motor çalışmıyor.	1. Kıvılcım yok.	1. Buji hasar görmüş olabilir. Çıkarın ve pislik ve çatlak açısından gözden geçirin. Yeni bir bujiyle değiştirin.
	2. Yakıt yok	2. Puar yakıtla dolana kadar hortum puarına basın. Eğer puar dolmazsa ana yakıt ikmal sistemi tıkanmıştır. Yetkili servis merkezini arayın. Ön ısıtıcı doluyorsa, motor boğulmuş olabilir. Bir sonraki adıma geçin.
	3. Motor taşmaya maruz kalmış.	3. Bujiyi çıkartın. Ürünü buji yere dönük olacak şekilde çevirin. Jikle kolunu  konumuna döndürün ve marş kablosunu 10 ila 15 kez çekin. Bu, motordaki fazla yakıtı temizler. Üründeki bütün yakıtı boşaltın. Bujiyi temizleyin ve yeniden takın. Dökülen yakıtı temizleyin ve yeniden çalıştırmadan önce dökülen alandan en az 9 m uzaklaşın. Jikle kolu  konumundayken marşı üç kez çekin. Motor çalışmaya başlamazsa jikle kadranını  konumuna çevirin ve ardından normal çalışma prosedürünü tekrarlayın. Eğer motor yine çalışmazsa prosedürü yeni bir bujiyle tekrarlayın.
	4. Starter ipi şimdi yeni halinden daha zor çekiliyor.	4. Yetkili servis merkezini arayın.
	5. Eski yakıt.	5. Sadece önerilen yağ ile karıştırılmış yeni yakıt kullanın. 30 günden eski yakıt ünitenin çalıştırılmasını önleyebilir.
Motor çalışıyor ama hızlanmıyor.	Motorun ısınması için yaklaşık olarak üç dakika gerekir.	Motorun tamamen ısınmasını bekleyin. Eğer motor üç dakika sonra hızlanmazsa bir servis bayını arayın.
Motor çalışıyor ama sadece yarım jiklede yüksek hızda çalışıyor.	Carburettor requires adjustment.	Yetkili servis merkezini arayın.
Motor tam hıza ulaşmıyor ve ağız duman çıkarıyor.	1. Yağ-yakıt karışımını kontrol edin.	1. Yeni yakıt ve doğru 2 zamanlı motor yağı karışımı kullanın.
	2. Hava filtresi kirlidir.	2. Hava filtresini temizleyin. Bu kılavuzdaki "Hava Filtresini Temizleme" bölümüne bakın.
	3. Kıvılcım tutucu eleği kirlidir.	3. Yetkili servis merkezini arayın.
Motor çalışıyor ve hızlanıyor ama rölanتيye geçmiyor.	Karbüratör üzerindeki rölanتي hız vidasının ayarlanması gerekir.	Yetkili servis merkezini arayın.
	İp beslenmez.	1. İp kendinden kaynaklıdır. 2. Sargıda yeterince ip yok. 3. Aşınan ip çok kısa. 4. İp sargıya dolanmış. 5. Motor hızı çok yavaş.
Şaft mahfazasına ve darbe kafasına ot sarılmış	1. Uzun çimler yer seviyesinde kesmek 2. Ürünü kısmi gazda kullanmak	1. Uzun otları yukarıdan aşağıya doğru kesin. 2. Ürünü her zaman tam gazda çalıştırın.
	Darbe düğmesi zor dönüyor	Vida başları kirlidir ya da hasarlı
Susturucudan yağlama yağı damlıyor	1. Ürünü kısmi gazda kullanmak	1. Ürünü her zaman tam gazda çalıştırın.
	2. Yağlama yağı/yakıt karışımı kirlidir	2. Yeni yakıt kullanın ve 2 zamanlı sentetik yağlayıcı karışımını düzeltin.
	3. Hava filtresi kirlidir.	3. Hava filtresini Bakım bölümündeki talimatlara göre temizleyin



English	Français	Deutsch	Español	Italiano
<b>Product specifications</b>	<b>Caractéristiques produit</b>	<b>Produkt-Spezifikationen</b>	<b>Características del producto</b>	<b>Caratteristiche del prodotto</b>
Petrol Brushcutter/Grass trimmer	Débroussailleuse/Coupe-herbe à essence	Benzinbetriebener Freischneider/Grastrimmer	Desbrozadora/Cortacésped de gasolina	Decespugliatore/Tosaerba a benzina
Model	Modèle	Modell	Modelo	Modello
Weight	Poids	Gewicht	Peso	Peso
Without fuel, cutting attachment and harness	Sans carburant, accessoire de coupe, harnais	Ohne Kraftstoff, Schnittaufsatz, und Trageschirr	Sin combustible, anexo de la podadora de corte, y arnés	Sin combustibile, prolunga tagliabordi de corte, cinta da spalla
Without fuel, with string head and harness	Sans carburant, avec tête du coupe-bordures	Ohne Kraftstoff, mit Fadenkopf	Sin combustible, con cabezal de hilo, y arnés	Senza carburante, con la testina di taglio, cinta da spalla
Without fuel, with blade and harness	Sans carburant, avec lame	Ohne Kraftstoff, mit Messer	Sin combustible, con cuchilla, y arnés	Sin combustibile, con la lama, cinta da spalla
Fuel tank volume	Capacité du réservoir de carburant	Tankvolumen	Volumen del depósito de combustible	Volume serbatoio carburante
Cutting swath	Bande de découpe	Schnittstreifen	Barrido de corte	Lunghezza di taglio
Bump head	Tête à taper	Fadenausgabeknopf	Cabezal con alimentación por "golpe"	Testina a filo
Blade	Lame	Sägeblatt	Hoja	Lama
Recommended torque for blade	Couple de serrage recommandé pour la lame	Empfohlenes Drehmoment für das Messer	Binario recomendado para cuchilla	Torsione raccomandata per la lama
Engine displacement	Cylindree du moteur	Motorhubraum	Volumen del motor	Cilindrata motore
Line diameter for string head	Diamètre de ligne (Tête du coupe-bordures ReelEasy™)	Schneidfaden-Durchmesser Fadenkopf	Diámetro de la línea: Cabezal del hilo	Diametro del filo: Testina a filo
Maximum engine performance (in accordance with ISO 8893)	Puissance maximale du moteur (selon ISO 8893)	Maximale Motorleistung (nach ISO 8893)	Potencia máxima del motor (conforme com ISO 8893)	Prestazioni massime motore (in accordo con le norme ISO 8893)
Maximum rotational frequency of the spindle	Vitesse de rotation maximale de la broche	Maximale Drehgeschwindigkeit der Spindel	Frecuencia de rotación máxima del eje	Frequenza rotazionale massima dell'albero
Engine speed (rotational frequency) at idle	Régime moteur (vitesse de rotation) à la fréquence recommandée maximale de rotation de la broche	Motorgeschwindigkeit (Umdrehungen) bei Leerlauf	Velocidad del motor (frecuencia rotacional) a ralentí	Velocità del motore (frequenza rotazionale) al minimo
Fuel consumption (in accordance with ISO 8893) at max. engine performance	Régime moteur (vitesse de rotation) au ralenti	Kraftstoffverbrauch(nach ISO 8893) bei maximaler Motorleistung	Consumo de combustible (de acuerdo con la norma ISO 8893) al alcanzar la potencia máxima del motor	Consumo di carburante (secondo quanto indicato dalla norma ISO 8893) quando il motore è al massimo
Specific fuel consumption (in accordance with ISO 8893) at max. engine performance	Consommation de carburant (selon ISO 8893) à puissance maximum	Spezifischer Kraftstoffverbrauch (nach ISO 8893) bei maximaler Motorleistung	Consumo de combustible específico (de acuerdo con la norma ISO 8893) al alcanzar la potencia máxima del motor	Consumo di carburante specifico (secondo quanto indicato dalla norma ISO 8893) alla prestazione massima del motore
Vibration level (in accordance with ISO 22867) for RBC31SESO	Niveau de vibration (selon ISO 22867) (RBC31SESO)	Vibrationsgrad (gemäß ISO 22867) (RBC31SESO)	Nivel de vibración (de acuerdo con ISO 22867) (RBC31SESO)	Livello vibrazioni (in accordo con la direttiva ISO 22867)(RBC31SESO)
Front handle	Poignée avant	Vorderer Haltegriff	Mango delantero	Manico anteriore
Idling	Au ralenti	Leerlauf	Al ralentí	Al minimo
Racing	En fonctionnement	Hohe Drehzahl	En funcionamiento	In funzione
Equivalent vibration total value	Valeur totale équivalente des vibrations	Entspricht Gesamtwert der Vibration	Valor total de vibración equivalente	Valore totale delle vibrazioni equivalenti
Rear handle	Poignée arrière	Hintere Haltegriff	Mango trasero	Manico posteriore
Idling	Au ralenti	Leerlauf	Al ralentí	Al minimo
Racing	En fonctionnement	Hohe Drehzahl	En funcionamiento	In funzione
Equivalent vibration total value	Valeur totale équivalente des vibrations	Entspricht Gesamtwert der Vibration	Valor total de vibración equivalente	Valore totale delle vibrazioni equivalenti
Uncertainty	Incertitude	Unsicherheit	Incertidumbre	Incertezza

Nederlands	Português	Dansk		
<b>Productgegevens</b>	<b>Características do aparelho</b>	<b>Produktspecifikationer</b>		
Bosmaaijer/Grastrimmer met benzinemotor	Roçadora/Recortadora de relva a Gasolina	Benzinbaseret Hækkeklipper/Græstrimmer		
Model	Modelo	Model	RBC31SESO	RBC31SBO
Peso	Gewicht	Vikt		
Zonder brandstof, trimmertoebehoren, het harnas	Sem combustível, acessório de corte, arnês	Uden brændstof, trimmertilbehør, selen	6.68 kg	6.86 kg
Zonder brandstof, met snaarkop, het harnas	Sem combustível, com a cabeça de fio, arnês	Uden brændstof, med snorhoved, selen	7.29 kg	7.82 kg
Zonder brandstof, met mes, het harnas	Sem combustível, com a lâmina, arnês	Uden brændstof, med klippekni, selen	7.08 kg	7.65 kg
Brandstoftankvolume	Volume do depósito de combustível	Brændstoftank-volumen	700 cm <sup>3</sup>	700 cm <sup>3</sup>
Maaipad	Largura de corte	Skæreområde		
Buffer	Cabeça da Bobina	Tråddløser	457 mm	457 mm
Zaagblad	Lâmina	Klinge	256 mm	256 mm
Aangewezen koppel voor maaiblad	Binário recomendado para lâmina	Anbefalet moment for klingen	≥ 25 N.m	≥ 25 N.m
Cilinderinhoud motor	Cilindrada do motor	Motor, slagvolumen	31 cm <sup>3</sup>	31 cm <sup>3</sup>
Draaddiameter: Lijnkop	Diâmetro do fio: Cabeça de linha	Linediameter: Trådhead	2.4 mm	2.4 mm
Maximum motorvermogen (in overeenstemming met ISO 8893)	Potência máxima do motor (nos termos da ISO 8893)	Max motorydelse (i henhold til ISO 8893)	1.2 kW	1.2 kW
Maximum toerental van de as	Frequência de rotação máxima do eixo	Spindlens maksimale omdrejningsfrekvens	10,000 min <sup>-1</sup>	10,000 min <sup>-1</sup>
Motorsnelheid (toerental) bij stationair toerental	Velocidade do motor (frequência rotacional) ao ralenti	Motorhastighed (omdrejningsfrekvens) i tomgang	2,700 - 3,500 min <sup>-1</sup>	2,700 - 3,500 min <sup>-1</sup>
Brandstofverbruik (in overeenstemming met ISO 8893) bij maximum motorvermogen	Consumo de combustível (de acordo com a norma ISO 8893) ao alcançar a potência máxima do motor	Brændstofforbrug (i henhold til ISO 8893) ved max motorydelse	0.52 kg/h	0.52 kg/h
Specifiek brandstofverbruik (in overeenstemming met ISO 8893) bij maximum motorvermogen	Consumo de combustível (de acordo com a norma ISO 8893) para alcançar a potência máxima do motor	Specifikt brændstofforbrug (i henhold til ISO 8893) ved max motorydelse	0.52 kg/kw.h	0.52 kg/kw.h
Trillingsniveau (in overeenstemming met ISO 22867)(RBC31SESO)	Nível de vibração (em conformidade com ISO 22867) (RBC31SESO)	Vibrationsniveau (iht. ISO 22867)(RBC31SESO)		
			Grass Trimmer	Brushcutter
Voorste handvat	Pega frontal	Forhåndtag		
Motor in vrijloop	Ao ralenti	Tomgang	3.7 m/s <sup>2</sup>	4.3 m/s <sup>2</sup>
Draaiende motor	Em funcionamento	Tophastighed	16.6 m/s <sup>2</sup>	5.3 m/s <sup>2</sup>
Equivalente totale trillingswaarde	Valor total da vibração equivalente	Ækvivalent total vibrationsniveau	12.0 m/s <sup>2</sup>	4.9 m/s <sup>2</sup>
Achterste handvat	Pega traseira	Baghåndtag		
Motor in vrijloop	Ao ralenti	Tomgang	4.1 m/s <sup>2</sup>	1.7 m/s <sup>2</sup>
Draaiende motor	Em funcionamento	Tophastighed	11.1 m/s <sup>2</sup>	14.3 m/s <sup>2</sup>
Equivalente totale trillingswaarde	Valor total da vibração equivalente	Ækvivalent total vibrationsniveau	8.4 m/s <sup>2</sup>	10.2 m/s <sup>2</sup>
Onzekerheid	Incerteza	Usikkerhed	1.5 m/s <sup>2</sup>	

Svenska	Suomi	Norsk	Русский	Polski
<b>Produktspecifikationer</b>	<b>Tuotteen tekniset tiedot</b>	<b>Produktspesifikasjoner</b>	<b>Характеристики изделия</b>	<b>Parametry techniczne</b>
Bensindriven Röjsåg/ Grästrimmer	Bensiinkäyttöinen Ruohoraivuri/ Nurmikkotrimmeri	Bensindrevet Ryddesag/ Grestrimmer	Бензиновый Кусторез/ Триммер	Benzynowa Przycinarka do krzewów/Przycinarka do trawy
Modell	Malli	Modell	Модель	Model
Vægt	Vekt	Paino	Мtотност	Greutate
Utan bränsle och förlängare, sele	Ilman polttoainetta, leikkuriiosa ja ruohon ohjainta, valjaita	Uten drivstoff, trimmefester, selen	Без заправки, струнной головки, крепежным ремнем	Bez paliwa, przystawka podkaszarki, uprząż
Utans bränsle, med trådhuvud, sele	Ilman polttoainetta, siimapäällä, valjaita	Uten drivstoff, med trådspole, selen	Без топлива, с катушкой с леской, крепежным ремнем	Bez paliwa, z głowicą żytkową, uprząż
Utans bränsle, med blad, sele	Ilman polttoainetta, terällä, valjaita	Uten drivstoff, med kniv, selen	Без заправки, с лезвием, крепежным ремнем	Bez paliwa, z nożem, uprząż
Bränsletanksvolum	Polttoainesäiliön tilavuus	Drivstofftankvolum	Объем топливного бака	Pojemność zbiornika paliwa
Skårlängd	Pyyhkäisyalueen leveys	Klipperunde	Режущая полоса	Pokos
Matningsknöl	Napautusnuppi	Hode	Ударная головка	Głowica odbojnikowa
Blad	Terä	Blad	Пильное полотно	Ostrze
Rekommenderat vridmoment för blad	Terän suositeltu kieristysmomentti	Anbefalt dreiemoment for kniven	Рекомендуемый крутящий момент для режущего полотна	Zalecany moment obrotowy ostrza
Motorförskjutning	Moottorin iskutilavuus	Motorens slagvolum	Рабочий объем мотора	Pojemność skokowa silnika
Linans diameter: Trådhuvud	Siiman läpimitta: Siimapää	Tråddiameter: Trådhode	Диаметр лески: Рабочая головка	Średnica żyłki: Głowica żytkowa
Maximal motoreffekt (i enlighet med ISO 8893)	Moottorin huipputeho (ISO 8893 -standardin mukaan)	Maksimum motorytelse (i henhold til ISO 8893)	Максимальная мощность двигателя (в соответствии со стандартом ISO 8893)	Maksymalna wydajność silnika (zgodnie z normą ISO 8893)
Maximal rotationsfrekvens hos spindelen	Karan suurin kiertonopeus	Maksimum rotasjonsfrekvens på spindel	Максимальная скорость вращения шпинделя	Maksymalna prędkość obrotowa wrzeciona
Motorhastighet (rotationsfrekvens) vid tomgång	Moottorin nopeus (kiertotaajuu) tyhjäkäynnillä	Motorhastighet (rotasjonsfrekvens) ved tomgang	Обороты двигателя на холостом ходу	Prędkość (obrotowa) silnika na biegu jałowym
Bränsleförbrukning (i enlighet med ISO 8893) vid maximal motoreffekt	Polttoaineenkulutus (ISO 8893 -standardin mukaisesti) moottorin huipputeholla	Drivstofforbruk (i henhold til ISO 8893) ved maksimum motorytelse	Потребление топлива (в соответствии с требованиями ISO 8893) при максимальной нагрузке двигателя	Zużycie paliwa (zgodnie z normą ISO 8893) przy maksymalnej wydajności silnika
Specifik bränsleförbrukning (i enlighet med ISO 8893) vid maximal motoreffekt	Polttoaineen ominaiskulutus (ISO 8893 -standardin mukaisesti) moottorin huipputeholla	Spesifikt drivstofforbruk (i henhold til ISO 8893) ved maksimum motorytelse	Потребление специального топлива (в соответствии с требованиями ISO 8893) при максимальной нагрузке двигателя	Zużycie specyficzne paliwa (zgodnie z normą ISO 8893) przy maksymalnej wydajności silnika
Vibrationsnivå (enligt ISO 22867)(RBC31SESO)	Tärinätaso (standardin ISO 22867 mukaisesti) (RBC31SESO)	Vibrasjonsnivå (iht. ISO 22867)(RBC31SESO)	Уровень вибрации (в соответствии с ISO 22867) (RBC31SESO)	Poziom wibracji (zgodnie z normą ISO 22867) (RBC31SESO)
Främre handtag	Etukädensija	Fremre håndtak	Передняя ручка	Przedni uchwyt
Tomgångskörning	Tyhjäkäynnillä	Tomgang	На холостом ходу	Bieg jałowy
Racing	Huipponopeudella	Rusing	При работе	Obroty robocze
Samma som totala vibrationsvärdet	Ekvivalentti tärinän kokonaisarvo	Tilsvarende totalverdier for vibrasjoner	Общее эквивалентное значение вибрации	Równoważne całkowite natężenie drgań
Bakre handtag	Takakädensija	Bakre håndtak	Задняя ручка	Tyłny uchwyt
Tomgångskörning	Tyhjäkäynnillä	Tomgang	На холостом ходу	Bieg jałowy
Racing	Huipponopeudella	Rusing	При работе	Obroty robocze
Samma som totala vibrationsvärdet	Ekvivalentti tärinän kokonaisarvo	Tilsvarende totalverdier for vibrasjoner	Общее эквивалентное значение вибрации	Równoważne całkowite natężenie drgań
Osäkerhet	Epätarkkuus	Usikkerhet	Погрешность	Niepewność pomiaru

Čeština	Magyar	Română		
<b>Technické údaje produktu</b>	<b>Termék műszaki adatai</b>	<b>Specificațiile produsului</b>		
Benzinový Křovinořez/Vyřinač trávy	Benzines Bozótívágó/Fűkasza	Tăietor de arboret/Trimmer pentru gazon pe benzină		
Model	Típus	Model	RBC31SESO	RBC31SBO
Waga	Bec	Tömeg		
Bez paliva, příslušenství sekačky, postroj	Üzemanyag, vágó szerelék, hevedert	Fără carburant, accesoriu trimmer, hamul	6.68 kg	6.86 kg
Bez paliva, se strunovou hlavou, popruhy	Üzemanyag, damilfejfel, hevedert	Fără combustibil, cu capul cu fir, hamul	7.29 kg	7.82 kg
Bez paliva, s nožem, popruhy	Üzemanyag, vágótárcsával, hevedert	Fără carburant, cu lama, hamul	7.08 kg	7.65 kg
Objem palivové nádrže	Üzemanyagtartály térfogata	Volum rezervor de combustibil	700 cm <sup>3</sup>	700 cm <sup>3</sup>
Šířka pokosu	Vágási szélesség	Tăierea paielor		
Nárazová hlava	Ütközőfej	Cap bombat	457 mm	457 mm
Nůž	Kés	Lamá	256 mm	256 mm
Doporučený utahovací moment	Kés javasolt nyomatéka	Cuplul recomandat al lamei	≥ 25 N.m	≥ 25 N.m
Obsah válce	Hengerűrtartalom	Cilindree	31 cm <sup>3</sup>	31 cm <sup>3</sup>
Průměr struny: Strunová hlava	Damillátér: Vágófej	Diametru fir: Cap cu fir	2.4 mm	2.4 mm
Maximální výkon motoru (v souladu s ISO 8893)	Maximális motorteljesítmény (az ISO 8893 szerint)	Performanță maximă a motorului (în conformitate cu ISO 8893)	1.2 kW	1.2 kW
Maximální frekvence otáčení větena	Orsó maximális fordulatszám	Frecvență de rotație maximă a axului	10, 000 min <sup>-1</sup>	10, 000 min <sup>-1</sup>
Rychlost motoru (frekvence otáčení) při volnoběhu	Motor fordulatszám (forgási frekvencia) alapjáraton	Turație motor (frecvență de rotație) la ralanti	2, 700 - 3, 500 min <sup>-1</sup>	2, 700 - 3, 500 min <sup>-1</sup>
Spotřeba paliva (v souladu s ISO 8893) při maximálním výkonu motoru	Üzemanyagfogyasztás maximális motorteljesítményen (az ISO 8893 szerint)	Consumul de combustibil (în conformitate cu ISO 8893) la performanță maximă a motorului	0.52 kg/h	0.52 kg/h
Specifická spotřeba paliva (v souladu s ISO 8893) při maximálním výkonu motoru	Fajlagos üzemanyagfogyasztás maximális motorteljesítményen (az ISO 8893 szerint)	Consumul specific de combustibil (în conformitate cu ISO 8893) la performanță maximă a motorului	0.52 kg/kw.h	0.52 kg/kw.h
Úroveň vibrací (v souladu s ISO 22867)(RBC31SESO)	Vibrációs szint (az ISO 22867 szerint)(RBC31SESO)	Nivel de vibrație (în conformitate cu ISO 22867) (RBC31SESO)	Grass Trimmer	Brushcutter
Přední rukojeť	Elülső fogantyú	Mâner anterior		
Volnoběh	Alapjártat	Ralanti	3.7 m/s <sup>2</sup>	4.3 m/s <sup>2</sup>
Plný výkon	Max. fordulatszám	Funcționare	16.6 m/s <sup>2</sup>	5.3 m/s <sup>2</sup>
Celková ekvivalentní hodnota vibrací	Ekvivalens vibráció teljes értéke	Valoare totală echivalentă vibrații	12.0 m/s <sup>2</sup>	4.9 m/s <sup>2</sup>
Zadní rukojeť	Hátsó fogantyú	Mânerul principal		
Volnoběh	Alapjártat	Ralanti	4.1 m/s <sup>2</sup>	1.7 m/s <sup>2</sup>
Plný výkon	Max. fordulatszám	Funcționare	11.1 m/s <sup>2</sup>	14.3 m/s <sup>2</sup>
Celková ekvivalentní hodnota vibrací	Ekvivalens vibráció teljes értéke	Valoare totală echivalentă vibrații	8.4 m/s <sup>2</sup>	10.2 m/s <sup>2</sup>
Nejistota	Bizonytalanság	Incertitudine	1.5 m/s <sup>2</sup>	

Latviski	Lietuviškai	Eesti	Hrvatski	Slovensko
<b>Produkta specifikācijas</b>	<b>Gaminio techninės sąvokos</b>	<b>Toote tehnilised andmed</b>	<b>Specifikacije proizvoda</b>	<b>Specifikacije izdelka</b>
Benzīna Krūmgriezis/Zāles trimmeris	Benzininė Krūmapjovė/Trimežiamoji žolijapjovė	Bensinimootoriga Võsaloikur/Murutrimmer	Benzinski Rezač za grmlje/Trimer za travu	Bencinski Obrezovalnik grmičevja/Rezalnik trave
Modelis	Modelis	Mudel	Model	Model
Teža	Težina	Mass	Masé	Svars
Bez degvielas, trimera piesūprīnāšana, drošības	Be degalų, žolijapjovės papildoma dalis, diržus	Ilma kūtuseeta, trimmeri lisaseadis, rakmeid	Bez goriva, dodatak trimeru niti, rameni remen	Brez goriva, rezalnimi priključki, oprtnik
Bez degvielas, ar auklas galvu, drošības	Nėra kuro, su vieline galvute, diržus	Ilma kūtuseeta, jõhvipeaga, rakmeid	Bez goriva, s glavom rezne niti, remen	Brez goriva, z glavo z nitko, oprtnik
Bez degvielas, ar asmeni, drošības	Be degalų, su peiliu, diržus	Ilma kūtuseeta, lõiketeraga, rakmeid	Bez goriva, s nožem, remen	Brez goriva, z rezilom, oprtnik
Degvielas tvērtens tilpums	Degalu bako tūris	Kütusepaagi maht	Zapremnina spremnika goriva	Prostornina posode za gorivo
griešanas vāls	Pļovimo juosta	Lõikekaar	Rezni otkos	Pas rezanja
Auklas kārba	Amortizatorius	Löökketaendega lõikepea	Glava s flaksom	Udarna glava
Asmens	Geležte	Saeleht	Oštrica	Rezilo
Asmens ieteicamais griezes moments	Rekomenduojamas geležtės sukio momentas	Lõiketera soovituslik pingutusmoment	Preporučeni zakretni moment za oštricu	Priporočljiv navor za rezilo
Dzinēja darba tilpums	Cilindro talpa	Mootori kubatuur	Cilindar	Premik motorja
Auklas diametrs: Trimmera spole	Vielos skersmuo: Lynello galvutė	Jõhvi läbimõõt: Jõhvipea	Promjer rezne niti: Glava s flaksom	Premier nitke: Vpenjalna glava
Maksimālā dzinēja veikspēja (saskaņā ar ISO 8893)	Maksimalus variklio darbas (pagal standartą ISO 8893)	Mootori maksimaalvõimsus (vastavalt standardile ISO 8893)	Maksimalna učinkovitost motora (u skladu s ISO 8893)	Maksimalna moč motorja (skladno z ISO 8893)
Maksimālā vārpstas rotācijas frekvence	Maksimalus ašies sukimosi dažnis	Spindli maksimaalne pöörlemissagedus	Maksimalna frekvencija rotacija osovine	Maksimalna frekvencija vrtenja vrtena
Dzinēja ātrums (rotācijas frekvence) tukšgaitā	Variklio greitis (sukimosi dažnis) tuščiaja eiga	Mootori kiirus (pöörlemissagedus) tühikäigul	Brzina motora (frekvencija rotacija) pri praznom hodu	Številno vrtljajev motorja (frekvencija vrtenja) v prostem teku
Degvielas patēriņš (saskaņā ar ISO 8893) pie maksimālās dzinēja veikspējas	Kuro šānaudos (pagal standartą ISO 8893) varikliui veikiant maksimalia galia	Kütusekulu mootori maksimaalvõimsusel (vastavalt standarditele ISO 8893)	Potrošnja goriva (u skladu s ISO 8893) kod maksimalne učinkovitosti motora	Poraba goriva (skladno z ISO 8893) pri maksimalni moči motorja
Īpatnējais degvielas patēriņš (saskaņā ar ISO 8893) pie maksimālās dzinēja veikspējas	Specifinio kuro šānaudos (pagal standartą ISO 8893) varikliui veikiant maksimalia galia	Kütusekulu mootori maksimaalvõimsusel (vastavalt standardile ISO 8893)	Specifīčna potrošnja goriva (u skladu s ISO 8893) kod maksimalne učinkovitosti motora	Specifīčna poraba goriva (skladno z ISO 8893) pri maksimalni moči motorja
Vibrācijas līmenis (saskaņā ar ISO 22867) (RBC31SESO)	Vibrācijas lygis (pagal ISO 22867 standartą) (RBC31SESO)	Vibratsioonitase (vastavalt standardile ISO 22867) (RBC31SESO)	Razina vibracija (u skladu s ISO 22867)(RBC31SESO)	Nivo vibracij (v skladu s standardom ISO 22867) (RBC31SESO)
Priekšējais rokturis	Priekinė rankena	Eesmine käepide	Prednja ručka	Sprednji ročaj
Tukšgaita	Tuščioji eiga	Tühikäik	U praznom hodu	Prosti tek
Darba veikšana	Smarkiausias veikimas	Tõökäik	U radu	Obremenitev
Ekvivalentās vibrācijas kopējā vērtība	Ekvivalentiška bendroji vibracijos vertė	Ekvivalentne vibratsiooni koguväärtus	Ekvivalent ukupnoj vrijednosti vibracija	Ekvivalent skupne vrednosti vibracij
Aizmugurējais rokturis	Galinė rankena	Tagumine käepide	Stražnja ručica	Zadnji ročaj
Tukšgaita	Tuščioji eiga	Tühikäik	U praznom hodu	Prosti tek
Darba veikšana	Smarkiausias veikimas	Tõökäik	U radu	Obremenitev
Ekvivalentās vibrācijas kopējā vērtība	Ekvivalentiška bendroji vibracijos vertė	Ekvivalentne vibratsiooni koguväärtus	Ekvivalent ukupnoj vrijednosti vibracija	Ekvivalent skupne vrednosti vibracij
Nenoteiktība	Nepastovumas	Määramatus	Neodređenost	Negotovost



Slovenčina	България	Українська	Turce		
<b>Špecifikácie produktu</b>	<b>Технически характеристики</b>	<b>Технічні характеристики продукту</b>	<b>Ürün teknik özellikleri</b>		
Benzinový Krovinořez/ Strunová kosačka	Бензинов Хросторез/ Триммер за трева	Бензиновый Куцориз/ Триммер	Benzinli Çalı Kesici/Çim biçme makinesi		
Modelis	Модел	Модель	Model	RBC31SESO	RBC31SBO
Hmotnosť	Тегло	Вага	Ağırlık		
Bez paliva, rezacím nástavcom, postroj na plece	Без гориво, тримерна глава, презрамката	Без палива, ріжучих інструментів та ременів	Yakıtsız, kesme bağlantısız ve kayış tertibatız	6.68 kg	6.86 kg
Bez palica, s hlavou strunovej kosačky, postroj na plece	Без гориво, с кордова глава, презрамката	Без палива, з робочою головою та ременів	Yakıtsız, tel başlık ile, kayış tertibatı	7.29 kg	7.82 kg
Bez paliva, s nožom, postroj na plece	Без гориво, с острие, презрамката	Без палива, з лезом та ременів	Yakıtsız, bıçak ile, kayış tertibatı	7.08 kg	7.65 kg
Objem palivovej nádrže	Обем на горивния резервоар	Об'єм паливного бака	Yakıt deposu hacmi	700 cm <sup>3</sup>	700 cm <sup>3</sup>
Pokos pri sekani	Размах на косене	Підрізання	Kesme alanı		
Nárazová hlava	Глава за потупване	Робоча головка	Çarpma başlığı	457 mm	457 mm
Ostrie	Острие	лезо	Bıçak	256 mm	256 mm
Odporúčaný krútiaci moment pre ostrie	Препоръчителен въртящ момент на острието	Рекомендований крутящий момент для ножа	Bıçak için önerilen tork	≥ 25 N.m	≥ 25 N.m
Obsah valca	Работен обем	Зміщення двигуна	Motor kayması	31 cm <sup>3</sup>	31 cm <sup>3</sup>
Priemer struny: Hlava s vláknom	Диаметър на влакното Кордова глава	Ширина волосіні: Робоча головка	Hat çapı: Biçme kafası	2.4 mm	2.4 mm
Maximálny výkon motora (podľa normy ISO 8893)	Максимална производителност на двигателя (в съответствие с ISO 8893)	Максимална потужність двигуна (відповідно до ISO 8893)	Maks. Motor Performansı (ISO 8893 uyarınca)	1.2 kW	1.2 kW
Maximálna rotačná frekvencia vretena	Максимална честота на въртене на оста	Максимална честота обертання шпинделя	Maksimum iş mili dönüş frekansı	10, 000 min <sup>-1</sup>	10, 000 min <sup>-1</sup>
Rýchlosť motora (frekvencia otáčania) na voľnobehu	Скорост на двигателя (честота на въртене) на празен ход	Число оборотів двигуна (честота обертання) на холостому ходу	Röhlantide motor hızı (dönüş frekansı)	2, 700 - 3, 500 min <sup>-1</sup>	2, 700 - 3, 500 min <sup>-1</sup>
Spotřeba paliva (podľa normy ISO 8893) pri maximálnom výkone motora	Консумация на гориво (съобразно ISO 8893) при максимална производителност на двигателя	Витрата палива (відповідно до ISO 8893) при максималній продуктивності двигуна	Maks. Motor Performansında Yakıt Tüketimi (ISO 8893 uyarınca)	0.52 kg/h	0.52 kg/h
Merná spotřeba paliva (podľa normy ISO 8893) pri maximálnom výkone motora	Специфична консумация на гориво (съобразно ISO 8893) при максимална производителност на двигателя	Питома витрата палива (відповідно до ISO 8893) при максималноі продуктивності двигуна.	Maks. Motor Performansında Özel Yakıt Tüketimi (ISO 8893 uyarınca)	0.52 kg/kw.h	0.52 kg/kw.h
Úroveň vibrácií (podľa normy ISO 22867) (RBC31SESO)	Ниво на вибрациите (в съответствие с ISO 22867)(RBC31SESO)	Рівень вібрації (відповідно до ISO 22867)(RBC31SESO)	Titreşim seviyesi (ISO 22867 uyarınca) (RBC31SESO)	Grass Trimmer	Brushcutter
Předná rukořat'	Предна ръкохватка	Передня ручка	Ön kulp		
Voľnobeh	На празен ход	Холостий хід	Röhlantiye Alma	3.7 m/s <sup>2</sup>	4.3 m/s <sup>2</sup>
Beh	Работен режим	Розгін	Çalışır durumda	16.6 m/s <sup>2</sup>	5.3 m/s <sup>2</sup>
Celková hodnota ekvivalentných vibrácií	Обща стойност на еквивалентни вибрации	Загальний показник еквиваленту вібрації	Eş değeri titreşim toplam değeri	12.0 m/s <sup>2</sup>	4.9 m/s <sup>2</sup>
Zadná rukořat'	Задна ръкохватка	Задня ручка	Arka kulp		
Voľnobeh	На празен ход	Холостий хід	Röhlantiye Alma	4.1 m/s <sup>2</sup>	1.7 m/s <sup>2</sup>
Beh	Работен режим	Розгін	Çalışır durumda	11.1 m/s <sup>2</sup>	14.3 m/s <sup>2</sup>
Celková hodnota ekvivalentných vibrácií	Обща стойност на еквивалентни вибрации	Загальний показник еквиваленту вібрації	Eş değeri titreşim toplam değeri	8.4 m/s <sup>2</sup>	10.2 m/s <sup>2</sup>
Neurčitost	Променливост	Похибка	Belirsiz	1.5 m/s <sup>2</sup>	

English	Français	Deutsch	Español	Italiano
<b>Product specifications</b>	<b>Caractéristiques produit</b>	<b>Produkt-Spezifikationen</b>	<b>Características del producto</b>	<b>Caratteristiche del prodotto</b>
Petrol Brushcutter/Grass trimmer	Débroussaillouse/Coupe-herbe à essence	Benzinbetriebener Freischneider/Grastrimmer	Desbrozadora/Cortacésped de gasolina	Decespugliatore/Tosaerba a benzina
Model	Modèle	Modell	Modelo	Modello
Noise emission level (in accordance with ISO 22868) for RBC31SESO	Niveau d'émission sonore (selon ISO 22868) (RBC31SESO)	Schallenergiepegel (gemäß ISO 22868) (RBC31SESO)	Nivel de emisión de ruido (de acuerdo con ISO 22868) (RBC31SESO)	Livello di emissione rumore (in accordo con la direttiva ISO 22868) (RBC31SESO)
A-weighted emission sound pressure level at the operator's position	Niveau de pression acoustique d'émission pondéré A à l'emplacement de l'opérateur	A-bewerteter Emissionsschalldruckpegel an der Bedienerposition	Nivel de presión acústica de emisión ponderada A en la posición del operador	Livello di pressione sonora emessa con peso A in posizione operatore
Idling	Au ralenti	Leerlauf	Al ralenti	Al minimo
Racing	En fonctionnement	Hohe Drehzahl	En funcionamiento	In funzione
Equivalent	équivalent	Entspricht	Equivalente	Equivalente
Uncertainty	Incertitude	Unsicherheit	Incertidumbre	Incertezza
A-weighted emission sound power level at the operator's position	Niveau de puissance sonore pondéré-A au niveau de l'opérateur	A-bewerteter Schalldruckpegel an der Position des Anwenders	Nivel de potencia acústica con emisiones ponderadas A en la posición del operario	Livello di emissioni di pressione sonora equivalente ponderato A alla posizione dell'operatore
Idling	Au ralenti	Leerlauf	Al ralenti	Al minimo
Racing	En fonctionnement	Hohe Drehzahl	En funcionamiento	In funzione
Equivalent	équivalent	Entspricht	Equivalente	Equivalente
Uncertainty	Incertitude	Unsicherheit	Incertidumbre	Incertezza
Vibration level (in accordance with ISO 22867) for RBC31SBO	Niveau de vibration (selon ISO 22867) (RBC31SBO)	Vibrationsgrad (gemäß ISO 22867) (RBC31SBO)	Nivel de vibración (de acuerdo con ISO 22867) (RBC31SBO)	Livello vibrazioni (in accordo con la direttiva ISO 22867)(RBC31SBO)
Left handle	Poignée gauche	Linker Haltegriff	Empuñadura izquierda	Manico sinistro
Idling	Au ralenti	Leerlauf	Al ralenti	Al minimo
Racing	En fonctionnement	Hohe Drehzahl	En funcionamiento	In funzione
Equivalent vibration total value	Valeur totale équivalente des vibrations	Entspricht Gesamtwert der Vibration	Valor total de vibración equivalente	Valore totale delle vibrazioni equivalenti
Right handle	Poignée droite	Rechter Haltegriff	Empuñadura derecha	Impugnatura destra
Idling	Au ralenti	Leerlauf	Al ralenti	Al minimo
Racing	En fonctionnement	Hohe Drehzahl	En funcionamiento	In funzione
Equivalent vibration total value	Valeur totale équivalente des vibrations	Entspricht Gesamtwert der Vibration	Valor total de vibración equivalente	Valore totale delle vibrazioni equivalenti
Uncertainty	Incertitude	Unsicherheit	Incertidumbre	Incertezza

Nederlands	Português	Dansk		
<b>Productgegevens</b>	<b>Características do aparelho</b>	<b>Produktspecifikationer</b>		
Bosmaaier/Grastrimmer met benzinemotor	Roçadora/Recortadora de relva a Gasolina	Benzinbaseret Hækkeklipper/Græstrimmer		
Model	Modelo	Model	RBC31SESO / RBC31SBO	
Geluidsemissieniveau (in overeenstemming met ISO 22868) (RBC31SESO)	Nível de emissão de ruído (em conformidade com ISO 22868) (RBC31SESO)	Støjemissionsniveau (iht. ISO 22868) (RBC31SESO)		
A-gewogen emissie-geluidsdrukkniveau bij de positie van de gebruiker	Nível de pressão das emissões sonoras na posição do operador, medido em dB(A)	A-vægtet lydtryksniveau i operatørens position		
			Grass Trimmer	Brushcutter
Motor in vrijloop	Ao ralenti	Tomgang	80.6 dB(A)	80.2 dB(A) <sup>2</sup>
Draaiende motor	Em funcionamento	Tophastighed	101.5 dB(A)	101.5 dB(A)
Equivalent	Equivalente	Ækivalent	91.7 dB(A)	91.5 dB(A)
Onzekeerheid	Incerteza	Usikkerhed	2.5 dB	
Gewogen geluidsemissie uit A-klasse bij de positie van de gebruiker	Nível de potência sonora na posição do operador, medido em dB(A)	A-vægtet udledt lydtryk i operatørens position		
			Grass Trimmer	Brushcutter
Motor in vrijloop	Ao ralenti	Tomgang	90.3 dB(A)	91.5 dB(A)
Draaiende motor	Em funcionamento	Tophastighed	109.6 dB(A)	111.3 dB(A)
Equivalent	Equivalente	Ækivalent	109.6 dB(A)	111.3 dB(A)
Onzekeerheid	Incerteza	Usikkerhed	1.75 dB	
Trillingsniveau (in overeenstemming met ISO 22867)(RBC31SBO)	Nível de vibração (em conformidade com ISO 22867) (RBC31SBO)	Vibrationsniveau (iht. ISO 22867)(RBC31SBO)		
			Grass Trimmer	Brushcutter
Linkerhandvat	Pega esquerda	Venstre håndtag		
Motor in vrijloop	Ao ralenti	Tomgang	3.8 m/s <sup>2</sup>	3.4 m/s <sup>2</sup>
Draaiende motor	Em funcionamento	Tophastighed	8.1 m/s <sup>2</sup>	3.6 m/s <sup>2</sup>
Equivalente totale trillingswaarde	Valor total da vibração equivalente	Ækivalent total vibrationsniveau	6.3 m/s <sup>2</sup>	3.5 m/s <sup>2</sup>
Rechter handvat	Pega direita	Højre håndtag		
Motor in vrijloop	Ao ralenti	Tomgang	1.8 m/s <sup>2</sup>	1.5 m/s <sup>2</sup>
Draaiende motor	Em funcionamento	Tophastighed	14.2 m/s <sup>2</sup>	4.7 m/s <sup>2</sup>
Equivalente totale trillingswaarde	Valor total da vibração equivalente	Ækivalent total vibrationsniveau	10.2 m/s <sup>2</sup>	3.4 m/s <sup>2</sup>
Onzekeerheid	Incerteza	Usikkerhed	1.5 m/s <sup>2</sup>	

Svenska	Suomi	Norsk	Русский	Polski
<b>Produktspecifikationer</b>	<b>Tuotteen tekniset tiedot</b>	<b>Produktspesifikasjoner</b>	<b>Характеристики изделия</b>	<b>Parametry techniczne</b>
Bensindriven Røjsåg/ Grasstrimmer	Bensiinkäyttöinen Ruohoraivuri/ Nurmikkotrimmeri	Bensindrevet Ryddesag/ Gresstrimmer	Бензиновый Кусторез/ Триммер	Benzynowa Przycinarka do krzewów/Przycinarka do trawy
Modell	Malli	Modell	Модель	Model
Bullerutsläppsnivå (enligt ISO 22868) (RBC31SESO)	Melutaso (standardin ISO 22868 mukaisesti) (RBC31SESO)	Støyutslippsnivå (iht. ISO 22868) (RBC31SESO)	Уровень шума (в соответствии с ISO 22868) (RBC31SESO)	Poziom emisji hałasu (zgodnie z normą ISO 22868) (RBC31SESO)
A-veiktad ljudtrycksnivå som emitteras på operatörens plats	A-painotettu äänenpaineen taso käyttäjän kohdalla	A-veid utslippslydtrykknivå i operatørens posisjon	Взвешенный по кривой A уровень звукового давления на месте оператора	Poziom dźwięku A w położeniu operatora
Tomgångskörning	Tyhjäkäynnillä	Tomgang	На холостом ходу	Bieg jałowy
Racing	Huipponopeudella	Rusing	При работе	Obroty robocze
Motsvarande	Ekvivalentti	Tilsvarende	эквивалентного	Równoważny
Osäkerhet	Epätarkkuus	Usikkerhet	Погрешность	Niepewność pomiaru
A-Viktad nivå för bulleremission på operatörens plats	A-painotettu äänitehotaso käyttäjän kohdalla	A-vektet lydutslippseffektnivå ved brukerens plass	Уровень мощности звука, взвешенный по кривой A, на месте оператора	Poziom dźwięku A w pozycji operatora
Tomgångskörning	Tyhjäkäynnillä	Tomgang	На холостом ходу	Bieg jałowy
Racing	Huipponopeudella	Rusing	При работе	Obroty robocze
Motsvarande	Ekvivalentti	Tilsvarende	эквивалентного	Równoważny
Osäkerhet	Epätarkkuus	Usikkerhet	Погрешность	Niepewność pomiaru
Vibrationsnivå (enligt ISO 22867)(RBC31SBO)	Tärinäntaso (standardin ISO 22867 mukaisesti) (RBC31SBO)	Vibrasjonsnivå (iht. ISO 22867)(RBC31SBO)	Уровень вибрации (в соответствии с ISO 22867) (RBC31SBO)	Poziom wibracji (zgodnie z normą ISO 22867) (RBC31SBO)
Vänster handtag	Vasen kahva	Venstre håndtak	Левая рукоятка	Lewy uchwyt
Tomgångskörning	Tyhjäkäynnillä	Tomgang	На холостом ходу	Bieg jałowy
Racing	Huipponopeudella	Rusing	При работе	Obroty robocze
Samma som totala vibrationsvärdet	Ekvivalentti tärinän kokonaisarvo	Tilsvarende totalverdier for vibrasjoner	Общее эквивалентное значение вибрации	Równoważne całkowite natężenie drgań
Höger handtag	Oikea kahva	Høyre håndtak	Правая ручка	Prawy uchwyt
Tomgångskörning	Tyhjäkäynnillä	Tomgang	На холостом ходу	Bieg jałowy
Racing	Huipponopeudella	Rusing	При работе	Obroty robocze
Samma som totala vibrationsvärdet	Ekvivalentti tärinän kokonaisarvo	Tilsvarende totalverdier for vibrasjoner	Общее эквивалентное значение вибрации	Równoważne całkowite natężenie drgań
Osäkerhet	Epätarkkuus	Usikkerhet	Погрешность	Niepewność pomiaru

Čeština	Magyar	Română		
<b>Technické údaje produktu</b>	<b>Termék műszaki adatai</b>	<b>Specificațiile produsului</b>		
Benzinový Křovinořez/Vyřinač trávy	Benzines Bozótívágó/Fűkasza	Tăietor de arbore/Trimmer pentru gazon pe benzină		
Model	Typus	Model	RBC31SESO/ RBC31SBO	
Hladina emise hluku (v souladu s ISO 22868) (RBC31SESO)	Hangkibocsátási szint (az ISO 22868 szerint) (RBC31SESO)	Nivel emisie zgomot (în conformitate cu ISO 22868) (RBC31SESO)		
Hladina akustického tlaku A v pozici uživatele	A súlyozású kibocsátott hangnyomásszint a kezelő helyén	Presiune sonoră ponderată 'A' la nivelul operatorului		
			Grass Trimmer	Brushcutter
Volnoběh	Alapjárát	Ralanti	80.6 dB(A)	80.2 dB(A) <sup>2</sup>
Plný výkon	Max. fordulatszám	Funcționare	101.5 dB(A)	101.5 dB(A)
Ekvivalentní	Egyenértékű	Echivalent	91.7 dB(A)	91.5 dB(A)
Nejistota	Bizonytalanság	Incertitudine	2.5 dB	
Akustický tlak vážený podle metody A v místě uživatele	„A“ súlyozású kibocsátott hangnyomásszint a kezelő helyén	Nivel presiune acustică ponderat A raportat la poziția operatorului		
			Grass Trimmer	Brushcutter
Volnoběh	Alapjárát	Ralanti	90.3 dB(A)	91.5 dB(A)
Plný výkon	Max. fordulatszám	Funcționare	109.6 dB(A)	111.3 dB(A)
Ekvivalentní	Egyenértékű	Echivalent	109.6 dB(A)	111.3 dB(A)
Nejistota	Bizonytalanság	Incertitudine	1.75 dB	
Úroveň vibrací (v souladu s ISO 22867)(RBC31SBO)	Vibrációs szint (az ISO 22867 szerint)(RBC31SBO)	Nivel de vibrație (în conformitate cu ISO 22867) (RBC31SBO)		
			Grass Trimmer	Brushcutter
Levá rukojeť	Bal fogantyú	Mâner stânga		
Volnoběh	Alapjárát	Ralanti	3.8 m/s <sup>2</sup>	3.4 m/s <sup>2</sup>
Plný výkon	Max. fordulatszám	Funcționare	8.1 m/s <sup>2</sup>	3.6 m/s <sup>2</sup>
Celková ekvivalentní hodnota vibrací	Ekvivalens vibráció teljes értéke	Valoare totală echivalentă vibrații	6.3 m/s <sup>2</sup>	3.5 m/s <sup>2</sup>
Pravá rukojeť	Jobb fogantyú	Mâner dreapta		
Volnoběh	Alapjárát	Ralanti	1.8 m/s <sup>2</sup>	1.5 m/s <sup>2</sup>
Plný výkon	Max. fordulatszám	Funcționare	14.2 m/s <sup>2</sup>	4.7 m/s <sup>2</sup>
Celková ekvivalentní hodnota vibrací	Ekvivalens vibráció teljes értéke	Valoare totală echivalentă vibrații	10.2 m/s <sup>2</sup>	3.4 m/s <sup>2</sup>
Nejistota	Bizonytalanság	Incertitudine	1.5 m/s <sup>2</sup>	

Latviski	Lietuviškai	Eesti	Hrvatski	Slovensko
<b>Produkta specifikācijas</b>	<b>Gaminio techninės sąvybės</b>	<b>Toote tehnilised andmed</b>	<b>Specifikacije proizvoda</b>	<b>Specifikacije izdelka</b>
Benzīna Krūmgriezis/Zāles trimmeris	Benzinīne Krūmapjovė/ Nešiojamoji žolijapjovė	Bensinimootoriga Vāsalāikur/Murutrimmer	Benzinski Rezač za grmlje/ Trimer za travu	Bencinski Obrezovalnik grmičevja/Rezalnik trave
Modelis	Modelis	Mudel	Model	Model
Trokšņu emisijas līmenis (saskaņā ar ISO 22868) (RBC31SESO)	Skleidziamo triukšmo lygis (pagal ISO 22868 standartą) (RBC31SESO)	Helivāimsuse tase (vastavalt standartile ISO 22868) (RBC31SESO)	Razina emisija buke (u skladu s ISO 22868) (RBC31SESO)	Raven emisij hrupa (v skladu s standardom ISO 22868) (RBC31SESO)
Svērtais izplūdes skaņas spiediena līmenis lietotāja atrašanās pozīcijā	A svērtinis garšo slēgio lygis operatoriaus vietoje	A-filtriga korrigeeritud ekvivalentne pūšiv helirōhutase tōokohal	Na položaju rukovatelja je osjetna A-ocijenjena razina zvučnog tlaka	A-tehtana raven emisij zvočnega tlaka na mestu upravljavca
Tukšgaita	Tuščioji eiga	Tūhikāik	U praznom hodu	Prosti tek
Darba veikšana	Smarkiausias veikimas	Tōokāik	U radu	Obremenitev
Ekvivalents	Ekvivalentiškas	Ekvivalentne	Ekvivalentno	Ekvivalent
NeNOTEIKTĪBA	Nepastovumas	Māāramatus	Neodređenost	Negotovost
A-svērtais izstarotais skaņas jaudas līmenis lietotāja pozīcijā	A svērtinis skleidziamo garšo galios lygis operatoriaus vietoje	A-korrigeeritud helivāimsuse tase kasutāja positsiooni	Razina emisije buke oznake A na mjestu operatera	A-utežena raven hrupa na mestu, kjer je upravljavec
Tukšgaita	Tuščioji eiga	Tūhikāik	U praznom hodu	Prosti tek
Darba veikšana	Smarkiausias veikimas	Tōokāik	U radu	Obremenitev
Ekvivalents	Ekvivalentiškas	Ekvivalentne	Ekvivalentno	Ekvivalent
NeNOTEIKTĪBA	Nepastovumas	Māāramatus	Neodređenost	Negotovost
Vibrācijas līmenis (saskaņā ar ISO 22867)(RBC31SBO)	Vibrācijas lygis (pagal ISO 22867 standartą) (RBC31SBO)	Vibratsiooitase (vastavalt standartile ISO 22867) (RBC31SBO)	Razina vibracija (u skladu s ISO 22867)(RBC31SBO)	Nivo vibracij (v skladu s standardom ISO 22867) (RBC31SBO)
Kreisais rokturis	Kairēs pusēs rankena	Vasak kāepide	Lijeva ručka	Levi ročaj
Tukšgaita	Tuščioji eiga	Tūhikāik	U praznom hodu	Prosti tek
Darba veikšana	Smarkiausias veikimas	Tōokāik	U radu	Obremenitev
Ekvivalentās vibrācijas kopējā vērtība	Ekvivalentiška bendroji vibrācijas vērtē	Ekvivalentne vibratsiooni koguvāārtus	Ekvivalent ukupnoj vrijednosti vibracija	Ekvivalent skupne vrednosti vibracij
Labās puses rokturis	Dešinioji rankena	Parempoolne kāepide	Desna ručka	Desni ročaj
Tukšgaita	Tuščioji eiga	Tūhikāik	U praznom hodu	Prosti tek
Darba veikšana	Smarkiausias veikimas	Tōokāik	U radu	Obremenitev
Ekvivalentās vibrācijas kopējā vērtība	Ekvivalentiška bendroji vibrācijas vērtē	Ekvivalentne vibratsiooni koguvāārtus	Ekvivalent ukupnoj vrijednosti vibracija	Ekvivalent skupne vrednosti vibracij
NeNOTEIKTĪBA	Nepastovumas	Māāramatus	Neodređenost	Negotovost

Slovenčina	България	Українська	Turce		
<b>Špecifikácie produktu</b>	<b>Технически характеристики</b>	<b>Технічні характеристики продукту</b>	<b>Ürün teknik özellikleri</b>		
Benzinový Krovinořez/ Strunová kosačka	Бензинов Хросторез/ Триммер за трева	Бензиновый Куцоріа/ Триммер	Benzinli Çalı Kesici/Çim biçme makinesi		
Modelis	Модел	Модель	Model	RBC31SESO/ RBC31SBO	
Úroveň emisii hluku (podľa normy ISO 22868) (RBC31SESO)	Ниво на шумовите емисии (в съответствие с ISO 22868) (RBC31SESO)	Рівень шуму (in accordance with ISO 22868) (RBC31SESO)	Çürültü Emisyonu (ISO 22868 uyarınca) (RBC31SESO)		
A - hladina akustického tlaku v mieste operátora	Ниво на налягането на издавания шум е с равнище А на мястото на оператора	Рівень звукового тиску за шкалою А для оператора пристрою	Kullanıcı pozisyonundaki A ağırlıklı ses basıncı seviyesi		
				Grass Trimmer	Brushcutter
Vofnobeh	На празен ход	Холостий хід	Rölantiye Alma	80.6 dB(A)	80.2 dB(A) <sup>2</sup>
Beh	Работен режим	Розгін	Çalışır durumda	101.5 dB(A)	101.5 dB(A)
Ekvivalentná	Еквивалентно	Еквивалент	Eş değer	91.7 dB(A)	91.5 dB(A)
Neurčitost	Променливост	Похибка	Belirsiz	2.5 dB	
A-vážená úroveň emisii akustického výkonu v polohe obsluhy	Ниво на емисия на звукова мощност при положението на оператора с равнище А	Рівень сили звукової емисії на робочому місці А	Kullanıcı tarafında A-ağırlıklı emisyon ses gücü seviyesi		
				Grass Trimmer	Brushcutter
Vofnobeh	На празен ход	Холостий хід	Rölantiye Alma	90.3 dB(A)	91.5 dB(A)
Beh	Работен режим	Розгін	Çalışır durumda	109.6 dB(A)	111.3 dB(A)
Ekvivalentná	Еквивалентно	Еквивалент	Eş değer	109.6 dB(A)	111.3 dB(A)
Neurčitost	Променливост	Похибка	Belirsiz	1.75 dB	
Úroveň vibrácií (podľa normy ISO 22867) (RBC31SBO)	Ниво на вибрациите (в съответствие с ISO 22867)(RBC31SBO)	Рівень вібрації (відповідно до ISO 22867)(RBC31SBO)	Titreşim seviyesi (ISO 22867 uyarınca) (RBC31SBO)		
				Grass Trimmer	Brushcutter
L'avá rukovát	Лява ръкохватка	Ліва ручка	Sol Kulp		
Vofnobeh	На празен ход	Холостий хід	Rölantiye Alma	3.8 m/s <sup>2</sup>	3.4 m/s <sup>2</sup>
Beh	Работен режим	Розгін	Çalışır durumda	8.1 m/s <sup>2</sup>	3.6 m/s <sup>2</sup>
Celková hodnota ekvivalentných vibrácií	Обща стойност на еквивалентни вибрации	Загальний показник еквиваленту вібрації	Eş değer titreşim toplam değeri	6.3 m/s <sup>2</sup>	3.5 m/s <sup>2</sup>
Pravá rukovát	Дясна ръкохватка	Правая ручка	Sağ Kulp		
Vofnobeh	На празен ход	Холостий хід	Rölantiye Alma	1.8 m/s <sup>2</sup>	1.5 m/s <sup>2</sup>
Beh	Работен режим	Розгін	Çalışır durumda	14.2 m/s <sup>2</sup>	4.7 m/s <sup>2</sup>
Celková hodnota ekvivalentných vibrácií	Обща стойност на еквивалентни вибрации	Загальний показник еквиваленту вібрації	Eş değer titreşim toplam değeri	10.2 m/s <sup>2</sup>	3.4 m/s <sup>2</sup>
Neurčitost	Променливост	Похибка	Belirsiz	1.5 m/s <sup>2</sup>	

English	Français	Deutsch	Español	Italiano
<b>Product specifications</b>	<b>Caractéristiques produit</b>	<b>Produkt-Spezifikationen</b>	<b>Características del producto</b>	<b>Caratteristiche del prodotto</b>
Petrol Brushcutter/Grass trimmer	Débroussailluse/Coupe-herbe à essence	Benzinbetriebener Freischneider/Grastrimmer	Desbrozadora/Cortacésped de gasolina	Decespugliatore/Tosaerba a benzina
Model	Modèle	Modell	Modelo	Modello
Noise emission level (in accordance with ISO 22868) for RBC31SBO	Niveau d'émission sonore (selon ISO 22868) (RBC31SBO)	Schallenergiepegel (gemäß ISO 22868) (RBC31SBO)	Nivel de emisión de ruido (de acuerdo con ISO 22868) (RBC31SBO)	Livello di emissione rumore (in accordo con la direttiva ISO 22868) (RBC31SBO)
A-weighted emission sound pressure level at the operator's position	Niveau de pression acoustique d'émission pondéré A à l'emplacement de l'opérateur	A-bewerteter Emissionsschalldruckpegel an der Bedienerposition	Nivel de presión acústica de emisión ponderada A en la posición del operador	Livello di pressione sonora emessa con peso A in posizione operatore
Idling	Au ralenti	Leerlauf	Al ralentí	Al minimo
Racing	En fonctionnement	Hohe Drehzahl	En funcionamiento	In funzione
Equivalent	équivalent	Entspricht	Equivalente	Equivalente
Uncertainty	Incertitude	Unsicherheit	Incertidumbre	Incertezza
A-weighted emission sound power level at the operator's position	Niveau de puissance sonore pondéré-A au niveau de l'opérateur	A-bewerteter Schalldruckpegel an der Position des Anwenders	Nivel de potencia acústica con emisiones ponderadas A en la posición del operario	Livello di emissioni di pressione sonora equivalente ponderato A alla posizione dell'operatore
Idling	Au ralenti	Leerlauf	Al ralentí	Al minimo
Racing	En fonctionnement	Hohe Drehzahl	En funcionamiento	In funzione
Equivalent	équivalent	Entspricht	Equivalente	Equivalente
Uncertainty	Incertitude	Unsicherheit	Incertidumbre	Incertezza
Spark plug	Bougie d'allumage:	Zündkerze	Bujía	Candela

Replacement parts	Pièces de rechange	Ersatzteile	Piezas de repuesto	Parti di ricambio
String head	Tête à fil	Fadenkopf	Cabezal del hilo	Testina a filo
Tri-Arc™ blade	Lame Tri-Arc™	Tri-Arc™ Messer	Hoja Tri-Arc™	Lama Tri-Arc™
Cutting attachment guards	Protection de l'accessoire de coupe	Schneidgarniturschutz	Protección del accesorio de corte	Protezione dell'accessorio di taglio
Grass deflector	Déflecteur d'herbe	Grasabweiser	Deflector de hierba	Deflettore erba



Nederlands	Português	Dansk		
<b>Productgegevens</b>	<b>Características do aparelho</b>	<b>Produktspecifikationer</b>		
Bosmaaier/Grastrimmer met benzinemotor	Roçadora/Recortadora de relva a Gasolina	Benzinbaseret Hækkeklipper/ Græstrimmer		
Model	Modelo	Model	RBC31SESO/ RBC31SBO	
Geluidsemissieniveau (in overeenstemming met ISO 22868) (RBC31SBO)	Nível de emissão de ruído (em conformidade com ISO 22868) (RBC31SBO)	Støjemissionsniveau (iht. ISO 22868) (RBC31SBO)		
A-gewogen emissie-geluidsdrukkniveau bij de positie van de gebruiker	Nível de pressão das emissões sonoras na posição do operador, medido em dB(A)	A-vægtet lydtryksniveau i operatørens position		
			Grass Trimmer	Brushcutter
Motor in vrijloop	Ao ralenti	Tomgang	80.6 dB(A)	80.0 dB(A)
Draaiende motor	Em funcionamento	Tophastighed	100.0 dB(A)	101.4 dB(A)
Equivalent	Equivalente	Ækivalent	90.8 dB(A)	91.4 dB(A)
Onzekerheid	Incerteza	Usikkerhed	2.5 dB	
Gewogen geluidsemissie uit A-klasse bij de positie van de gebruiker	Nível de potência sonora na posição do operador, medido em dB(A)	A-vægtet udledt lydtryk i operatørens position		
Motor in vrijloop	Ao ralenti	Tomgang	91.4 dB(A)	89.6 dB(A)
Draaiende motor	Em funcionamento	Tophastighed	109.0 dB(A)	109.7 dB(A)
Equivalent	Equivalente	Ækivalent	109.0 dB(A)	109.7 dB(A)
Onzekerheid	Incerteza	Usikkerhed	2.5 dB	
Bougie	Vela	Tændrør	Champion RCJ6Y	

Vervangonderdelen	Peças de substituição	Reservelele		
Lijnkop	Cabeça de linha	Trådhoed	RAC150	5132003334
Tri-Arc™ maaiblad	Lâmina Tri-Arc™	Tri-Arc™ blad	RAC117	-
Beschermkap	Guarda do acessório de corte	Skæreudstyrets afskærmning	-	5131039524
Grasdeflector	Deflector de Erva	Græsafsærmning		5131039525

Svenska	Suomi	Norsk	Русский	Polski
<b>Produktspecifikationer</b>	<b>Tuotteen tekniset tiedot</b>	<b>Produktspesifikasjoner</b>	<b>Характеристики изделия</b>	<b>Parametry techniczne</b>
Bensindriven Röjsåg/ Grässtrimmer	Bensiinkäyttöinen Ruohoraivuri/ Nurmikkotrimmeri	Bensindrevet Ryddesag/ Gresstrimmer	Бензиновый Кусторез/ Триммер	Benzynowa Przycinarka do krzewów/Przycinarka do trawy
Modell	Malli	Modell	Модель	Model
Bullerutsläppsnivå (enligt ISO 22868) (RBC31SBO)	Melutaso (standardin ISO 22868 mukaisesti) (RBC31SBO)	Støyutslippsnivå (iht. ISO 22868) (RBC31SBO)	Уровень шума (в соответствии с ISO 22868) (RBC31SBO)	Poziom emisji hałasu (zgodnie z normą ISO 22868) (RBC31SBO)
A-viktad ljudtrycksnivå som emitteras på operatörens plats	A-painotettu äänenpaineen taso käyttäjän kohdalla	A-veid utslippslydtryknivå i operatørens posisjon	Взвешенный по кривой А уровень звукового давления на месте оператора	Poziom dźwięku A w położeniu operatora
Tomgångskörning	Tyhjäkäynnillä	Tomgang	На холостом ходу	Bieg jałowy
Racing	Huipponopeudella	Rusing	При работе	Obroty robocze
Motsvarande	Ekvivalentti	Tilsvarende	эквивалентного	Równoważny
Osäkerhet	Epätarkkuus	Usikkerhet	Погрешность	Niepewność pomiaru
A-Viktad nivå för bulleremission på operatörens plats	A-painotettu äänitehotaso käyttäjän kohdalla	A-vektet lydutslippseffektnivå ved brukerens plass	Уровень мощности звука, взвешенный по кривой А, на месте оператора	Poziom dźwięku A w pozycji operatora
Tomgångskörning	Tyhjäkäynnillä	Tomgang	На холостом ходу	Bieg jałowy
Racing	Huipponopeudella	Rusing	При работе	Obroty robocze
Motsvarande	Ekvivalentti	Tilsvarende	эквивалентного	Równoważny
Osäkerhet	Epätarkkuus	Usikkerhet	Погрешность	Niepewność pomiaru
Tändstift	Syftytustulppa	Tennplugg	Свеча зажигания	Świeca zapłonowa

Utbytesdeler	Varaosat	Erstatningsdeler	Запасные части	Części zamienne
Trådhuvud	Siimapää	Trådhode	Рабочая головка	Głowica żyłkowa
Tri-Arc™-blad	Tri-Arc™-terä	Tri-Arc™-kniv	Режущее полотно Tri-Arc™	Ostrze Tri-Arc™
Skärtillbehörets skydd	Cutting attachment guard	Skjæreinnsatsbeskyttelse	Защитная крышка режущей насадки	Oslona zespołu tnącego
Gräsavvisare	Ruohonohjain	Gressutkaster	Отражатель травы	Deflektor trawy

Čeština	Magyar	Română		
<b>Technické údaje produktu</b>	<b>Termék műszaki adatai</b>	<b>Specificațiile produsului</b>		
Benzinový Křovinořez/Vyřinač trávy	Benzines Bozótřágó/Fűkasza	Tăietor de arboret/Trimmer pentru gazon pe benzină		
Model	Typus	Model	RBC31SESO / RBC31SBO	
Hladina emise hluku (v souladu s ISO 22868) (RBC31SBO)	Hangkibocsátási szint (az ISO 22868 szerint) (RBC31SBO)	Nivel emisie zgomot (în conformitate cu ISO 22868) (RBC31SBO)		
Hladina akustického tlaku A v pozici uživatele	A súlyozású kibocsátott hangnyomásszint a kezelő helyén	Presiune sonoră ponderată 'A' la nivelul operatorului		
			Grass Trimmer	Brushcutter
Volnoběh	Alapjárát	Ralanti	80.6 dB(A)	80.0 dB(A)
Plný výkon	Max. fordulatszám	Funcționare	100.0 dB(A)	101.4 dB(A)
Ekvivalentní	Egyenértékű	Echivalent	90.8 dB(A)	91.4 dB(A)
Nejistota	Bizonytalanság	Incertitudine	2.5 dB	
Akustický tlak vážený podle metody A v místě uživatele	'A' súlyozású kibocsátott hangnyomásszint a kezelő helyén	Nivel presiune acustică ponderat A raportat la poziția operatorului		
Volnoběh	Alapjárát	Ralanti	91.4 dB(A)	89.6 dB(A)
Plný výkon	Max. fordulatszám	Funcționare	109.0 dB(A)	109.7 dB(A)
Ekvivalentní	Egyenértékű	Echivalent	109.0 dB(A)	109.7 dB(A)
Nejistota	Bizonytalanság	Incertitudine	2.5 dB	
Zapalovací svíčka	Gyújtógyertya	Bujie	Champion RCJ6Y	

Náhradní díly	Cserealkatrészek	Piese de schimb		
Strunová hlava	Vágófej	Cap cu fir	RAC150	5132003334
Nůž Tri-Arc™	Tri-Arc™ kés	Lamă Tri-Arc™	RAC117	-
Kryt vyřinací násady	Vágókészülék védőelem	Apărătoare pentru accesoriul de tăiere	-	5131039524
Kryt proti trávě	Fűterelő	Deflector de iarbă		5131039525

Latviski	Lietuviškai	Eesti	Hrvatski	Slovensko
<b>Produkta specifikācijas</b>	<b>Gaminio techninės sąvybės</b>	<b>Toote tehnilised andmed</b>	<b>Specifikacije proizvoda</b>	<b>Specifikacije izdelka</b>
Benzīna Krūmgriezis/Zāles trimmeris	Benzininė Krūmapjovė/ Nešiojamoji žolijapjovė	Bensinimootoriga Võsalõikur/Murutrimmer	Benzinski Rezač za grmlje/ Trimer za travu	Bencinski Obrezovalnik grmičevja/Rezalnik trave
Modelis	Modelis	Mudel	Model	Model
Trokšņu emisijas līmenis (saskaņā ar ISO 22868) (RBC31SBO)	Skleidžiāmo triukšmo lygis (pagal ISO 22868 standartā) (RBC31SBO)	Helivõimsuse tase (vastavalt standardile ISO 22868) (RBC31SBO)	Razina emisija buke (u skladi s ISO 22868) (RBC31SBO)	Raven emisij hrupa (v skladi s standardom ISO 22868) (RBC31SBO)
Svērtais izplūdes skaņas spiediena līmenis lietotāja atrašanās pozīcijā	A svērtinis garšo slēgio lygis operatoriaus vietoje	A-filtrga korrigeeritud ekvivalentne pūšiv helirõhutase töökojal	Na položaju rukovatelja je osjetna A-ocijenjena razina zvučnog tlaka	A-tehtana raven emisij zvočnega tlaka na mestu upravljavca
Tukšgaita	Tuščioji eiga	Tühikäik	U praznom hodu	Prosti tek
Darba veikšana	Smarkiausias veikimas	Tõökäik	U radu	Obremenitev
Ekvivalents	Ekvivalentiškas	Ekvivalentne	Ekvivalentno	Ekvivalent
Nenoteiktība	Nepastovumas	Määramatus	Neodređenost	Negotovost
A-svērtais izstarotais skaņas jaudas līmenis lietotāja pozīcijā	A svērtinis skleidžiāmo garšo galios lygis operatoriaus vietoje	A-korrigeeritud helivõimsuse tase kasutaja positsioonil	Razina emisije buke oznake A na mjestu operatera	A-utežena raven hrupa na mestu, kjer je upravljavec
Tukšgaita	Tuščioji eiga	Tühikäik	U praznom hodu	Prosti tek
Darba veikšana	Smarkiausias veikimas	Tõökäik	U radu	Obremenitev
Ekvivalents	Ekvivalentiškas	Ekvivalentne	Ekvivalentno	Ekvivalent
Nenoteiktība	Nepastovumas	Määramatus	Neodređenost	Negotovost
Aizdedzes svece	Uždegimo žvakė	Süüteküünel	Svjecica	Vžigalna svečka

Rezerves daļas	Atsarginės detalės	Asendusosad	Zamjena dijelova	Nadomestni deli
Trimmera spēle	Lynelio galvutė	Jõhvipea	Glava s flaksom	Vpenjalna glava
Tri-Arc™ asmens	„Tri-Arc™“ geležtė	Tri-Arc™-lõiketera	Oštrica Tri-Arc™	Tri-Arc™ rezilo
Griešanas aprikojuma aizsargs	Pjovimo priedo apsauginis įtaisas	Lõikepea kaitsekate	Štitnik reznog nastavka	Varovalo rezalnega priključka
Zāles novirzītājs	Žolės kreiptuvas	Rohusuunaja	Deflektor za travu	Deflektor trave

Slovenčina	България	Українська	Turce		
<b>Špecifikácie produktu</b>	<b>Технически характеристики</b>	<b>Технічні характеристики продукту</b>	<b>Ürün teknik özellikleri</b>		
Benzinový Krovinořez/ Strunová kosačka	Бензинов Хросторез/ Триммер за трева	Бензиновый Куцзоріа/ Триммер	Benzinli Çalı Kesici/Çim biçme makinesi		
Modelis	Модел	Модель	Model	RBC31SESO / RBC31SBO	
Úroveň emisii hluku (podľa normy ISO 22868) (RBC31SBO)	Ниво на шумовите емисии (в съответствие с ISO 22868) (RBC31SBO)	Рівень шуму (in accordance with ISO 22868) (RBC31SBO)	Çürültü Emisyonu (ISO 22868 uyarınca) (RBC31SBO)		
A - hladina akustického tlaku v mieste operátora	Ниво на налягането на издавания шум е с равнище А на мястото на оператора	Рівень звукового тиску за шкалою А для оператора пристрою	Kullanıcı pozisyonundaki A ağırlıklı ses basıncı seviyesi		
				Grass Trimmer	Brushcutter
Vofnobeh	На празен ход	Холостий хід	Rölantiye Alma	80.6 dB(A)	80.0 dB(A)
Beh	Работен режим	Розгін	Çalışır durumda	100.0 dB(A)	101.4 dB(A)
Ekvivalentná	Еквивалентно	Еквівалент	Eş değeri	90.8 dB(A)	91.4 dB(A)
Neurčitost	Променливост	Похибка	Belirsiz	2.5 dB	
A-vážená úroveň emisii akustického výkonu v polohe obsluhy	Ниво на емисия на звукова мощност при положението на оператора с равнище А	Рівень сили звукової емісії на робочому місці А	Kullanıcı tarafında A-ağırlıklı emisyon ses gücü seviyesi		
Vofnobeh	На празен ход	Холостий хід	Rölantiye Alma	91.4 dB(A)	89.6 dB(A)
Beh	Работен режим	Розгін	Çalışır durumda	109.0 dB(A)	109.7 dB(A)
Ekvivalentná	Еквивалентно	Еквівалент	Eş değeri	109.0 dB(A)	109.7 dB(A)
Neurčitost	Променливост	Похибка	Belirsiz	2.5 dB	
Zapaľovacia sviečka	Запалителна свещ	Свічка запалювання	Buji	Champion RCJ6Y	

Náhradné diely	Резервни части	Запасні частини	Yedek Parça		
Hlava s vláknom	Кордова глава	Робоча головка	Biçme kafası	RAC150	5132003334
Ostrie Tri-Arc™	Острие Три-Арс™	Ніж Три-Арс™	Tri-Arc™ bıçak	RAC117	-
Kryt sečnéno príslušenstva	Предпазител на режещата приставка	Захисний кожух леза	Kesme eklentisi muhafazası	-	5131039524
Odchyľovač trávy	Отклонител за трева	Дефлектор трави	Çim Deflektörü		5131039525

## EN Vibration level

### ⚠ WARNING

The declared vibration value has been measured with a standard test method and may be used to compare one tool with another.

The declared vibration value may be used in a preliminary assessment of exposure. The vibration emission during actual use of power tool can differ from the declared total value depending on the ways in which the tool is used.

Identify safety measures to protect yourself based on an estimation of exposure in the actual conditions of use, taking account of all parts of the operating cycle such as the times when the tool is switched off and when it is running idle in addition to the trigger time.

## FR Niveau de vibrations

### ⚠ AVERTISSEMENT

La valeur déclarée totale des vibrations a été mesurée selon une méthode de test standardisée qui peut être utilisée pour comparer un outil avec un autre.

La valeur déclarée totale des vibrations peut également être utilisée pour évaluer par avance le niveau d'exposition.

La valeur des vibrations réellement produites durant l'utilisation de l'outil électrique peuvent différer de la valeur totale déclarée, en fonction de la manière dont l'outil est utilisé.

Identifiez les mesures de sécurité à prendre pour vous protéger, sur la base d'une estimation de l'exposition réelle, en tenant compte de tous les éléments du cycle d'utilisation tels que le temps d'arrêt de l'outil et le temps de son fonctionnement au ralenti, en plus du temps de fonctionnement normal.

## DE Vibrationsgrad

### ⚠ WARNUNG

Der angegebene Vibrationswert wurde durch eine Standard-Testmethode ermittelt und kann dazu verwendet werden, ein Werkzeug mit einem anderen zu vergleichen.

Der angegebene Vibrationswert kann für eine Voraburteilung der Exponierung herangezogen werden.

Die Vibrationsemissionen bei der tatsächlichen Benutzung von Elektrowerkzeugen kann sich, abhängig von der Art der Benutzung des Werkzeugs, von dem genannten Wert unterscheiden.

Identifizieren Sie aufgrund einer Einschätzung der Exponierung unter tatsächlichen Einsatzbedingungen Maßnahmen zum eigenen Schutz, unter Berücksichtigung aller Bestandteile des Betriebszyklus, wie die Zeiten zu denen das Werkzeug ausgeschaltet ist, und zu denen es sich zusätzlich zu den Auslösezeitpunkten im Leerlauf befindet.

## ES Nivel de vibración

### ⚠ ADVERTENCIA

El valor declarado de vibraciones se ha medido con un método de prueba estándar y puede utilizarse para comparar una herramienta con otra.

El valor declarado de vibraciones puede utilizarse en una evaluación preliminar de exposición.

La emisión de las vibraciones durante el uso real de la herramienta eléctrica puede diferir del valor total declarado según el uso que se le dé a la herramienta.

Identifique las medidas de seguridad para protegerse en base a una estimación de la exposición en las condiciones reales de uso, teniendo en cuenta todas las partes del ciclo de funcionamiento, como los tiempos en que la herramienta está apagada y cuando está en ralentí, además del tiempo de activación.

## IT Livello di vibrazioni

### ⚠ AVVERTENZE

Il valore delle vibrazioni dichiarato deve essere misurato con un metodo di test standard e può essere utilizzato per paragonare un utensile a un altro.

Il valore dichiarato delle vibrazioni può essere utilizzato nella valutazione preliminare dell'esposizione.

L'emissione delle vibrazioni durante l'utilizzo dell'utensile può essere diversa dal valore totale dichiarato a seconda dei modi in cui l'utensile viene utilizzato.

Individuare misure di sicurezza per proteggersi basate su una stima dell'esposizione nelle attuali condizioni di utilizzo, prendendo in considerazione tutte le parti del ciclo operativo come i tempi in cui l'utensile viene spento o quando funziona al minimo oltre al tempo di attivazione.

## NL Trillingsniveau

### ⚠ WAARSCHUWING

De aangegeven trillingswaarde werd gemeten met behulp van een standaard testmethode en kan worden gebruikt om gereedschap met elkaar te vergelijken.

De aangegeven trillingswaarde kan worden gebruikt in een voorlopige blootstellingsanalyse.

De trillingsemisatie tijdens het gebruik van het werktuig kan verschillen van de aangegeven totale waarde, afhankelijk van de manier waarop het werktuig wordt gebruikt.

Neem veiligheidsmaatregelen om uzelf te beschermen op basis van een inschatting van de blootstelling in de huidige gebruiksomstandigheden, rekening houdend met alle onderdelen van de bedrijfscyclus, zoals de tijd dat het werktuig wordt uitgeschakeld en het stationair draait, bovenop de bedrijfsrijd.

## PT Nivel de vibração

### ⚠ AVISO

O valor de vibração declarado foi medido com um método de teste padrão e pode ser usado para comparar uma ferramenta com outra.

O valor de vibração declarado pode ser utilizado numa avaliação preliminar da exposição.

A emissão das vibrações durante o uso real da ferramenta eléctrica pode diferir do valor total declarado segundo o uso que se der à ferramenta.

Identifique as medidas de segurança para se proteger com base numa estimativa de exposição nas actuais condições de uso, tendo em conta todas as peças do ciclo de funcionamento, como as vezes que a ferramenta é desligada e quando está a trabalhar em ralentí para além do tempo de galhio.

## DA Vibrationsniveau

### ⚠ ADVARSEL

Den erklærede vibrationsværdi er målt i henhold til en standard-testmetode og kan bruges til at sammenligne forskellige værktøjer indbyrdes.

Den erklærede vibrationsværdi kan bruges som en foreløbig vurdering af eksponeringen.

Vibrationsemissionen ved praktisk brug af elværktøjet kan variere fra den erklærede totalværdi, alt efter hvordan værktøjet anvendes.

Træf passende sikkerhedsforanstaltninger for at beskytte dig selv ud fra den skønnede eksponering for risiko under de aktuelle anvendelsesforhold, hvor du - ud over den effektive arbejdstid - også tager højde for de varierende perioder, som fx når værktøjet er slukket, og når det kører i tomgang.



## SV Vibrationsnivå

### ⚠ VARNING

Det angivna vibrationsvärdet har uppmätts med en standardmetod och kan användas för att jämföra med andra kraftverktyg.

Det angivna vibrationsvärdet kan användas i en preliminär analys av vibrationerna som användaren utsätts för.

De vibrationer som uppstår vid användningen av el-verktyget kan skilja sig från det uppgivna totalvärdet beroende på det sätt som verktyget används på.

Vidtag säkerhetsåtgärder för ditt personliga skydd utifrån den exponering som sker under användningen, ta hänsyn till all användning som då verktyget är avstängt och när det går på tomgång förutom den faktiska brukstiden.

## FI Tärinätsäo

### ⚠ VAROITUS

Ilmoitettu tärinäarvo on mitattu tavallisin testimenetelmän, ja sitä voidaan käyttää verrattaessa laitetta toiseen.

Ilmoitettua tärinäarvoa voidaan käyttää arvioitaessa tärinävaikutusta.

Sähkötyökäälun todellisen käytön aikainen tärinä saattaa poiketa ilmoitetusta kokonaisarvosta, laitteen käyttötavasta riippuen.

Määritä käyttäjän suojakeinot, jotka perustuvat todellisten käyttöolosuhteiden tärinävaikutusarvioon, ottaen huomioon kaikki käyttöjakson osat, kuten ajan, jonka laite on sammukissa ja käy tyhjäkäynnillä, varsinaisen sahausajan lisäksi.

## NO Vibrasjonsnivå

### ⚠ ADVARSEL

Den oppgitte vibrasjonsverdien er målt med en standard testmetode og kan benyttes for å sammenligne ett verktyg med et annet.

Den oppgitte vibrasjonsverdien kan benyttes for en foreløpig angivelse av eksponering.

Vibrasjonene ved faktisk bruk av et elektrisk verktoy kan skille seg fra oppgitte totalverdier avhengig av måten verktøyet brukes på.

Identifiser sikkeringsstiltak som beskytter deg selv, basert på et anslag for eksponering i den faktiske bruksituasjonen der man tar hensyn til alle brukssyklusene, som tidspunktet da maskinen ble slått av og når den går på tomgang i tillegg til tiden når verktøyet arbeider.

## RU уровень вибрации

### ⚠ ОСТОРОЖНО!

Заявленная величина вибрации измерялась в соответствии со стандартной методикой проведения испытаний и может использоваться для сравнения одного инструмента с другим.

Заявленная величина вибрации может использоваться при предварительной оценке характеристик.

Уровень вибрации при работе электроинструмента может отличаться от заявленной общей величины вибрации в зависимости от условий его использования.

Выберите средства защиты оператора с учетом реальных условий эксплуатации, принимая во внимание все факторы рабочего цикла, такие как время, в течение которого инструмент был выключен, и время его работы в холостом режиме.

## PL Poziom drgan

### ⚠ OSTRZEŻENIE

Deklarowany poziom drgan został zmierzony za pomocą standardowej metody pomiaru i jego wyniki mogą służyć do porównywania tego urządzenia z innymi.

Deklarowana wartość drgan może służyć do wstępnej oceny narażenia operatora na wibracje.

Emisja drgan podczas użytkowania elektronarzędzi może różnić się od zadeklarowanej wartości, w zależności od sposobu użytkowania urządzenia.

Określić zasady bezpieczeństwa, oparte na oszacowaniu narażenia operatora w rzeczywistych warunkach użytkowania, uwzględniając wszystkie elementy cyklu operacyjnego, takie jak czasy wyłączenia oraz czasy pracy bez obciążenia, oprócz czasu pracy przy wciśniętym przycisku uruchamiania.

## CS Úroveň vibraci

### ⚠ VAROVÁNÍ

Uznaná hodnota vibraci byla naměřena pomoci standardního testovacího postupu a lze ji použít k porovnání s jiným nástrojem.

Uznaná hodnota vibraci se může používat k předběžnému odhadu vystavování vibraci.

Aktuální hodnoty vibraci během používání nástroje se mohou lišit od výše uvedených a mohou se lišit dle použitého nástroje.

Určete bezpečnostní opatření pro vlastní ochranu, která jsou založena na odhadu vystavení v aktuálních podmínkách používání, popisu všech částí pracovního cyklu jako doby, kdy je nástroj vypnut a když běží naprázdno, kromě doby spuštění.

## HU Vibrációsztint

### ⚠ FIGYELMEZTETÉS

A megadott vibrációs érték szabványos tesztmódszerrel lett meghatározva, és két szerszám összehasonlításakor is használható.

A megadott vibrációs érték a vibrációnak való kitétség előzetes becsüléséhez is felhasználható.

A vibráció-kibocsátás a szerszám gép tényleges használat során eltérhet a nyilatkozatban szereplő teljes értéktől; ez függ a gép használatának módjától.

Határozza meg a saját védelmét szolgáló óvintézkedéseket az adott használat körülmények között érvényes kitétség felmérésével, figyelembe véve a használat teljes időtartamát, vagyis beleértve azokat az időszakokat, amikor a gép ki van kapcsolva, vagy bekapcsol állapotban üresjáratban működik.

## RO Nivelul vibrațiilor

### ⚠ AVERTISMENT

Valoarea declarată a vibrațiilor a fost măsurată cu o metodă de testare standard și poate fi utilizată pentru a compara o unealtă cu alta.

Valoare declarată a vibrațiilor poate fi utilizată într-o evaluare preliminară a expunerii.

Emisia de vibrații în timpul folosirii efective a unelei electrice poate diferi de valoarea totală declarată în funcție de modul în care este utilizată unealta.

Identificați măsurile de siguranță pentru a vă proteja, pe baza estimării expunerii la condițiile efective de utilizare, luând în considerare toate etapele ciclului de operare, precum momentele în care unealta este oprită și atunci când funcționează în gol, suplimentar momentului declanșării.

## LV Vibrācijas līmenis

### ⚠ BRĪDINĀJUMS

Nosauktais vibrācijas līmenis ir ticis izmērīts ar standarta pārbaudes metodi un var tikt izmantots, lai salīdzinātu vienu instrumentu ar citu.

Nosauktā vibrācijas vērtība var tikt izmantota sākotnējās iedarbības novērtējumam.

Elektroinstrumenta vibroemisiija reālā darba laikā var atšķirties no norādītās kopējās vērtības atkarībā no veidiem, kā instrumentus tiek lietoti.

Nosakiet drošības pasākumus, lai sevi aizsargātu, balstoties uz saskares līguma novērtējumu atbilstoši lietošanas apstākļiem, ņemot vērā visas lietošanas cikla daļas, tostarp laikus, kad instruments tiek izslēgts un kad tas darbojas tukšgaitā papildus darbināšanas laikam.

## LT Vibracijos lygis

### ⚠ IŠPĒJIMAS

Deklaruotas vibracijos lygis yra išmatuotas standartinio testo metu ir gali būti naudojamas vieno įrankio su kitu palyginimui.

Deklaruotas vibracijos lygis gali būti naudojamas preliminariam pavojaus įvertinimui.

Elektrinio įrankio naudojimo metu vibracijos lygis gali skirtis nuo deklaruotos bendrosios vertės pagal įrankio naudojimo būdus.

Nustatykite saugumo priemones, kad apsaugotumėte, kurios pagrįstos pavojaus įvertinimu pačiose naudojimo sąlygose, atkreipiant dėmesį į visas darbo ciklo dalis, pvz. laikotarpį, kai įrankis yra išjungtas ir kai veikia tuščiaja eiga bei perjungimo laiką.

## ET Vibratsioontase

### ⚠ HOIATUS

Deklarēritud vibratsioonivāartus on mōdēdud standarde testimēetodiga ja seda vōib kasutada tōōriistade omavaheliseks vōrdlemiseks.

Deklarēritud vibratsioonivāartust vōib kasutada mīrataseme eelhindamiseks.

Olenevalt seadme kasutusviisist vōib mehaanilise tōōrista tōōtamisel ilmneda vibratsiooniemissioon, mille suurus erineb deklarēritud vāartustest.

Kasutajaja kaitsmiseks seadmega tōōtamisel tuleb kindlaks teha turvameetmed, mis pōhinevad tegeelikes kasutustingimustes esinevale vibratsioonile, sealjuures tuleb arvesse vōtta kōiki tōōtsūikli osi, lisaks sisselūlitatud olekule nāiteks ka vibratsiooni vājalūlitamise ajal ja tūhikāigū.

## HR Razina vibracije

### ⚠ UPOZORENJE

Objavljena vrijednost vibracija je izmjerena standardnom metodom testiranja i može se koristiti za usporedbu jednog alata s drugim.

Objavljena vrijednost vibracija može se koristiti u početnom uskladjivanju izloženosti.

Razina vibracija tijekom trenutne uporabe AKU alata može se razlikovati od deklarirane ukupne vrijednosti ovisno o načinima na koje se alat koristi.

Identificirajte sigurnosne mjere za svoju zaštitu na temelju procjene izloženosti u trenutim uvjetima korištenja, uzevši u obzir sve dijelove radnog ciklusa kao što su vrijeme kada je alat isključen i kada je pokrenut u praznom hodu u dodatku vremenu pokretanja.

## SL Raven vibracij

### ⚠ OPOZORILO

Navedena vrednost vibracij je bila izmerjena s standardno metodo testiranja in se lahko uporabi za primerjavo različnih orodj.

Navedena vrednost vibracij se lahko uporabi za predhodne ocene izpostavljenosti.

Emisije med dejansko uporabo električnega orodja se od navedene vrednosti lahko razlikujejo, odvisno od načina, kako se orodje uporablja.

Ugotovite varnostne ukrepe za zaščito upravljalca, ki temeljijo na oceni izpostavljenosti v dejanskih pogojih uporabe, pri tem pa je treba upoštevati vse dele delovnega cikla – npr. ko je orodje izključeno in ko je v prostem teku in čas zagona.

## SK Úroveň vibrácií

### ⚠ VAROVANIE

Deklarovaná hodnota vibrácií bola meraná podľa štandardnej testovacej metódy a možno ju používať na porovnávanie jedného nástroja s iným.

Deklarovaná hodnota vibrácií sa dá použiť aj v predbežnom odhade expozície.

Úroveň emisií počas samotného používania elektrického nástroja sa môže líšiť od deklarovanej celkovej hodnoty v závislosti od toho, ktorý nástroj sa používa.

Identifikujte bezpečnostné opatrenia na vašu ochranu ne základe posúdenia skutočných podmienok použitia, pričom vezmite do úvahy všetky časti prevádzkového cyklu, napríklad časov, kedy je nástroj vypnutý a kedy pracuje na voľnobehu okrem času spúšťania.

## BG Ниво на вибрация

### ⚠ ВНИМАНИЕ

Посочената стойност за вибрациите е измерена с помощта на стандартен тест и може да се използва за сравнение с друг инструмент.

Посочената стойност за вибрациите може да бъде използвана в предварително оценяване за излагане на вибрации.

Вибрациите по време на действителната употреба на електромеханичния инструмент може да се различават от обявената обща стойност в зависимост от начините, по които се използва инструментът.

Определете мерки за безопасност за собствена защита според преценка за излагането на вибрации в реални условия, като се вземат предвид всички елементи на работния цикъл, като например времето, в което инструментът е изключен и когато работи на празен ход, както и времето за задействане.

## UK Рівень вібрації

### ⚠ ПОПЕРЕДЖЕННЯ

Оголошене значення вібрації було виміряно за допомогою стандартного методу випробування і може бути використане для порівняння одного інструмента з іншим.

Він може бути використаний для попередньої оцінки впливу.

Емісія вібрації під час фактичного використання електроінструменту може відрізнятись від заявленого значення залежно загального використання інструмент.

Визначити заходи безпеки, щоб захистити себе на основі оцінки впливу в реальних умовах використання, з урахуванням всіх частин робочого циклу, коли інструмент вимкнений, і коли він працює в холостому режимі, доповнюючи робоче положення.



## **TR** Titreşim seviyesi

### **U**YARI

Beyan edilen titreşim değeri standart bir test yöntemi ile ölçülmüştür ve bir aleti değerleriyle karşılaştırmak için kullanılabilir.

Beyan edilen titreşim değeri bir maruz kalma ön değerlendirmesinde kullanılabilir.

Güç destekli aletin fiili kullanımı sırasında meydana gelen titreşim emisyonu aletin kullanıma şekline bağlı olarak beyan edilen toplam değerden farklı olabilir.

Kendinizi korumak için aletin açılıp kapatılma sayısı ve tetik süresinin yanı sıra rölantide çalıştığı zaman gibi çalışma döngüsünde yer alan tüm parçaları dikkate alarak gerçek kullanım koşullarında maruz kalma hesaplamasına dayalı güvenlik önlemlerini belirleyin.

## EN RYOBI® WARRANTY APPLICATION CONDITIONS

In addition to any statutory rights resulting from the purchase, this product is covered by a guarantee as stated below.

- The warranty period is 24 months for consumers and commences on the date when the product was purchased. This date has to be documented by an invoice or other proof of purchase. The product is designed and dedicated to consumer and private use only. So there is no warranty provided in case of professional or commercial use.
- There is a possibility to extend for a part of the range of garden tools (AC/DC) the warranty period over the period described above using the registration on the [www.ryobitools.eu](http://www.ryobitools.eu) website. The eligibility of the tools for extension of the warranty period is clearly displayed in stores and / or on packaging / and contained within the product documentation. The end user needs to register his/her newly-acquired tools online within 30 days from the date of purchase. The end user may register for the extended warranty in his country of residence if listed on the online registration form where this option is valid. Furthermore, end users must give their consent to the storage of the data that are required to be entered online, and they have to accept the terms and conditions. The registration confirmation receipt, which is sent out by e-mail, and the original invoice showing the date of purchase will serve as proof of the extended warranty.
- The warranty covers all defects of the product during the warranty period due to defaults in workmanship or material at the purchase date. The warranty is limited to repair and/or replacement and does not include any other obligations including but not limited to incidental or consequential damages. The warranty is not valid if the product has been misused, used contrary to the instruction manual, or being incorrectly connected. This warranty does not apply to:
  - any damage to the product that is the result of improper maintenance
  - any product that has been altered or modified
  - any product where original identification (trade mark, serial number) markings have been defaced, altered or removed
  - any damage caused by non-observance of the instruction manual
  - any non CE product
  - any product that has been attempted to be repaired by a non-qualified professional or without prior authorization by Techtronic Industries
  - any product connected to improper power supply (amps, voltage, frequency)
  - any product used with inappropriate fuel mixture (fuel, oil, percentage of oil)
  - any damage caused by external influences (chemical, physical, shocks) or foreign substances
  - normal wear and tear spare parts
  - inappropriate use, overloading of the tool
  - use of non-approved accessories or parts
  - Any periodic adjustments to or maintenance cleaning of carburetors
  - Components (parts and accessories) subject to natural wear and tear, including but not limited to bump knobs, drive belts, clutch, blades of hedge trimmers or lawn mowers, harness, cable throttle, carbon brushes, power cord, tines, felt washers, hitch pins, blower fans, blower and vacuum tubes, vacuum bag and straps, guide bars, saw chains, hoses, connector fittings, spray nozzles, wheels, spray wands, inner reels, outer spools, cutting lines, spark plugs, air filters, gas filters, mulching blades, etc.
- For servicing, the product must be sent or presented to a RYOBI authorized service station listed for each country in the following list of service station addresses. In some countries your local RYOBI dealer undertakes to send the product to the RYOBI service organisation. When sending a product to a RYOBI service station, the product should be safely packed without any dangerous contents such as petrol, marked with sender's address and accompanied by a short description of the fault.
- A repair / replacement under this warranty is free of charge. It does not constitute an extension or a new start of the warranty period. Exchanged parts or tools become our property. In some countries delivery charges or postage will have to be paid by the sender. Your statutory rights arising from the purchase of the tool remain unaffected
- This warranty is valid in the European Community, Switzerland, Iceland, Norway, Liechtenstein, Turkey and Russia. Outside these areas, please contact your authorized RYOBI dealer to determine if another warranty applies.

### AUTHORISED SERVICE CENTRE

To find an authorised service centre near you, visit <http://uk.ryobitools.eu/header/service-and-support/service-agents>.

## FR RYOBI® CONDITIONS D'APPLICATION DE LA GARANTIE

En plus des droits statutaires liés à l'achat, ce produit est couvert par une garantie telle que décrite ci-dessous.

- La durée de la garantie accordée au consommateur est de 24 mois à partir de la date d'achat. Cette date doit être authentifiée par une facture ou toute autre preuve d'achat. Le produit a été conçu en vue d'une utilisation strictement privée. Aucune garantie ne s'applique donc en cas d'utilisation professionnelle ou commerciale.
- Il existe pour une partie de la gamme « jardin » (AC/DC), une possibilité d'étendre la période de garantie au-delà de la période précédemment décrite en utilisant le formulaire d'enregistrement présent sur le site Internet [www.ryobitools.eu](http://www.ryobitools.eu). L'éligibilité d'un outil est clairement affichée dans les points de vente et/ou sur l'emballage et la documentation. L'utilisateur final doit enregistrer son/ses outil(s) nouvellement acheté(s) en ligne dans les 30 jours qui suivent la date d'achat. L'utilisateur a la possibilité de s'enregistrer pour l'extension de garantie dans son pays de résidence si celui-ci est listé dans le formulaire d'enregistrement en ligne où cette option est valide. L'utilisateur final doit donner son consentement pour l'enregistrement des données requises pour accéder au site et doit accepter les termes et conditions. La confirmation d'enregistrement, envoyée par courrier électronique, ainsi que la facture originale mentionnant la date d'achat serviront de preuve de l'extension de garantie.
- La garantie couvre pendant la période de garantie les défauts des produits liés à la fabrication et aux matériaux à la date d'achat. La garantie est limitée à la réparation et/ou au remplacement et n'inclut aucune autre obligation, tel que, mais sans s'y limiter, les dommages accessoires ou indirects. La garantie est non valable en cas de mauvaise utilisation du produit, d'utilisation contraire aux instructions du mode d'emploi, ou en cas de branchement incorrect. Cette garantie ne s'applique pas pour :
  - tout dommage au produit résultant d'un mauvais entretien
  - tout produit ayant été altéré ou modifié
  - tout produit dont les marquages originaux d'identification (marque, numéro de série) ont été dégradés, altérés ou retirés
  - tout dommage causé par le non-respect des instructions du mode d'emploi
  - tout produit non CE
  - tout produit ayant subi une tentative de réparation par du personnel non qualifié ou sans autorisation préalable de Techtronic Industries
  - tout produit raccordé à une alimentation secteur non conforme (ampérage, voltage, fréquence)
  - tout produit utilisé avec un mélange inapproprié (essence, huile, pourcentage d'huile)
  - tout dommage causé par des influences extérieures (chimiques, physiques, chocs) ou par des substances étrangères
  - l'usure normale des pièces consommables
  - une utilisation inappropriée, une surcharge de l'outil
  - l'utilisation de pièces ou accessoires non agréés
  - Tout réglage périodique ou tout nettoyage de maintenance des carburateurs
  - les composants (pièces et accessoires) sujets à une usure naturelle, incluant de façon non exhaustive les têtes de fil à frapper, les courroies de transmission, les embrayages, les lames des taille-haies ou des tondeuses à gazon, les harnais, les câbles d'accélérateur, les charbons, les cordons d'alimentation, les fraises de cultivateurs, les rondelles feutre, les gouppilles de fraise, les turbines et lame de broyage des souffleurs, les tubes de soufflage et d'aspiration des souffleurs, les sacs de souffleurs et leurs lanières, les guides-chaîne, les chaînes de tronçonneuses, les tuyaux et raccords, les buses et lances de nettoyeurs haute pression, les roues, les recharges de fil des têtes de coupe, les têtes de coupe, le fil de coupe, les bougies d'allumage, les filtres à air, les filtres à essence, etc.
- Si le produit doit être réparé, envoyez-le à un service après-vente agréé RYOBI dont vous trouverez ci-dessous la liste pour chaque pays. Dans certains pays, vous revendez RYOBI se chargera d'envoyer le produit à un centre de réparation RYOBI. Lorsque vous envoyez un produit à un service après-vente RYOBI, celui-ci doit être correctement emballé, sans contenir aucun produit dangereux tel que de l'essence, et vous devez indiquer votre adresse ainsi qu'une courte description du problème.
- Une réparation / un remplacement sous garantie est gratuit(e). Ceci ne constituera pas une extension de garantie ni un nouveau départ de la période de garantie. Les pièces ou les outils remplacés deviennent notre propriété. Dans certains pays, les frais de port devront être assumés par l'expéditeur. Vos droits statutaires restent inchangés.
- Cette garantie est valable au sein de l'Europe, de la Suisse, de l'Islande, de la Norvège, du Liechtenstein, de la Turquie, de la Russie. En dehors de ces zones, veuillez contacter votre distributeur agréé RYOBI pour déterminer si une autre garantie s'applique.

### SERVICE APRÈS-VENTE AGRÉÉ

Pour trouver le service après-vente agréé le plus proche, rendez-vous sur <http://fr.ryobitools.eu/header/service-and-support/service-agents>.

## DE RYOBI® GARANTIEBEDINGUNGEN

Zusätzlich zu den gesetzlichen Rechten aus dem Kauf gilt für dieses Produkt die nachstehend aufgeführte Garantie.

- Der Garantiezeitraum beträgt für Verbraucher 24 Monate und beginnt mit dem Datum des Kaufs. Dieses Datum muss durch eine Rechnung oder einen anderen Kaufbeleg dokumentiert werden. Dieses Produkt wurde ausschließlich zur privaten Nutzung durch Verbraucher entwickelt. Für den Fall einer professionellen bzw. kommerziellen Nutzung besteht daher keine Garantie.
- Es besteht die Möglichkeit, für einen Teil des Sortiments der Gartenwerkzeuge (AC/DC) den Garantiezeitraum über den oben genannten Zeitraum hinaus zu verlängern, indem der Verbraucher die Registrierung auf der Website [www.ryobitools.eu](http://www.ryobitools.eu) durchführt. Die Berechtigung der Werkzeuge für die Garantieverlängerung ist deutlich im Geschäft und/oder auf der Verpackung beschrieben und in der Produktdokumentation erwähnt. Der Verbraucher muss das neu erworbene Gerät online innerhalb von 30 Tagen ab dem Kaufdatum registrieren. Der Verbraucher kann das Gerät zwecks Garantieverlängerung in seinem Wohnsitzland/Heimatland registrieren, wenn dieses Land auf dem Online-Registrierungsformular aufgeführt und die Option gültig ist. Darüber hinaus muss der Verbraucher seine Zustimmung zur Speicherung der Daten geben, die online eingegeben werden müssen, und er muss die allgemeinen Geschäftsbedingungen akzeptieren. Die Bestätigung der Registrierung, die per E-Mail versandt wird, und die Originalrechnung mit dem Kaufdatum gelten als Beleg für die Garantieverlängerung.
- Die Garantie deckt alle Defekte des Geräts während des Garantiezeitraums ab, die auf zum Zeitpunkt des Kaufs bestehende Verarbeitungs- oder Materialfehler zurückzuführen sind. Die Garantie beschränkt sich auf Reparatur und/oder Ersatz und beinhaltet keine anderen Verpflichtungen, insbesondere keinen Schadenersatz für Folge- oder Nebenschäden. Die Garantie gilt nicht, wenn das Gerät fehlerhaft eingesetzt wurde, gegensätzlich zur Bedienungsanleitung eingesetzt wurde oder falsch angeschlossen wurde. Die Garantie gilt nicht für Folgendes:
  - Schäden am Gerät, die auf unkorrekte Wartung zurückzuführen sind
  - Geräte, an denen Veränderungen vorgenommen wurden
  - Produkte, bei denen die ursprüngliche Identifizierung (Handelsmarke, Seriennummer) unleserlich gemacht, verändert oder entfernt wurde
  - Schäden durch Nichtbeachtung der Bedienungsanleitung
  - nicht-CE-zertifizierte Geräte
  - Geräte, an denen durch nicht-qualifizierte Personen oder ohne vorherige Genehmigung von Technicnon Industries Reparaturversuche vorgenommen wurden
  - Geräte, die an unkorrekte Energiequellen (Ampere, Volt, Frequenz) angeschlossen wurden
  - Geräte, die mit einer fehlerhaften Treibstoffmischung (Treibstoff, Öl, Ölanteil) betrieben wurden
  - Schäden durch äußere Einflüsse (chemisch, physisch, Stöße) oder Fremdstoffe
  - normaler Verschleiß von Ersatzteilen
  - unangemessene Nutzung, Überlastung des Geräts
  - Nutzung nicht genehmigter Zubehörteile oder Ersatzteile
  - Regelmäßige Einstellung oder Wartungsreinigung des Vergasers
  - Komponenten (Ersatzteile und Zubehörteile), die natürlichem Verschleiß unterliegen, einschließlich, aber nicht beschränkt auf Pufferkäufe, Treibriemen, Kupplungen, die Klängen von Heckenscheren oder Rasenmähern, Kabelstränge, Gaszüge, Kohlebürsten, Stromkabel, Zinken, Filzunterlegscheiben, Steckbolzen, Gebläselüfter, Gebläse- und Vakuumschläuche, Vakuumbbeutel und -riemen, Führungsleisten, Kettsägen, Schläuche, Verbinder, Spraydüsen, Räder, Sprühstäbe, Innenrollen, Außenspulen, Schneideanlagen, Zündkerzen, Luftfilter, Gasfilter, Mulchenklängen usw.
- Zum Service muss das Gerät zu einer von RYOBI autorisierten Servicestation gebracht oder dorthin gesendet werden. Die Servicestationen für die einzelnen Länder sind in der folgenden Liste aufgeführt. In einigen Ländern sendet Ihr RYOBI-Händler vor Ort das Gerät an das RYOBI-Serviceunternehmen. Beim Einsenden an die RYOBI-Servicestation sollte das Gerät sicher verpackt sein, ohne gefährliche Inhalte wie Benzin, und es sollte mit der Adresse des Absenders und einer kurzen Beschreibung des Fehlers versehen sein.
- Eine Reparatur bzw. ein Ersatz gemäß dieser Garantie ist kostenlos. Hieraus ergibt sich weder eine Garantieverlängerung noch der Beginn eines neuen Garantiezeitraums. Die ausgetauschten Ersatzteile oder Werkzeuge gehen in unser Eigentum über. In einigen Ländern müssen die Zustellgebühren oder die Versandkosten vom Absender gezahlt werden. Ihre gesetzlichen Rechte aus dem Kauf des Geräts bleiben hiervon unberührt.
- Diese Garantie gilt in der Europäischen Union, der Schweiz, Island, Norwegen, Lichtenstein, der Türkei und Russland. Bitte wenden Sie sich außerhalb dieser Gebiete an Ihren autorisierten RYOBI-Händler, um festzustellen, ob eine andere Garantie gilt.

### AUTORISIERTER KUNDENDIENST

Besuchen Sie <http://de.ryobitools.eu/header/service-and-support/service-agents>, um einen autorisierten Kundendienst in Ihrer Nähe zu finden.

## ES CONDICIONES DE APLICACIÓN DE LA GARANTÍA DE RYOBI®

Además de cualquier derecho legal derivado de la compra, este producto está cubierto por una garantía que se indica a continuación.

- El periodo de garantía es de 24 meses para consumidores y comienza en la fecha en que se comprara el producto. Dicha fecha debe documentarse con una factura u otro comprobante de compra. El producto está diseñado y concebido únicamente para el uso privado del consumidor. Por lo tanto, no se ofrece garantía en caso de uso profesional o comercial.
- Existe la posibilidad de ampliar el periodo de garantía respecto a una parte de la gama de herramientas de jardinería (CA/CC) durante el periodo descrito más arriba y mediante el registro en el sitio web [www.ryobitools.eu](http://www.ryobitools.eu). La elegibilidad de las herramientas para que se amplíe el periodo de garantía se muestra claramente en las tiendas o en el embalaje y está incluida en la documentación del producto. El usuario final tiene que registrar en línea sus herramientas recientemente adquiridas en un plazo de 30 días a partir de la fecha de compra. El usuario final podrá registrarse para obtener la garantía ampliada en su país de residencia si este aparece en la lista del formulario de registro en línea cuando esta opción sea válida. Además, los usuarios finales deberán dar su consentimiento al almacenamiento de los datos necesarios para el acceso en línea y tienen que aceptar los términos y condiciones. El recibo de confirmación de registro, que se envía por correo electrónico, y la factura original que muestra la fecha de compra servirán como comprobante para la garantía ampliada.
- La garantía cubre todos los defectos del producto durante el periodo de garantía debido a fallos de mano de obra o material en la fecha de compra. La garantía se limita a la reparación o sustitución y no incluye ninguna otra obligación como, por ejemplo, daños accidentales o consecuentes. La garantía no es válida si se ha usado mal el producto, se ha usado contraviniendo el manual de instrucciones o se ha conectado de forma incorrecta. Esta garantía no es aplicable a:
  - ningún daño en el producto que sea consecuencia de un mantenimiento inadecuado
  - ningún producto que haya sido alterado o modificado
  - ningún producto en el que los marcados de identificación originales (marca comercial, número de serie) se hayan borrado, modificado o eliminado
  - ningún daño provocado por no seguir el manual de instrucciones
  - ningún producto que no sea CE
  - ningún producto que haya sufrido un intento de reparación por parte de un profesional no cualificado o sin la autorización previa de Technicnon Industries.
  - ningún producto conectado a un suministro eléctrico inadecuado (amperios, voltaje, frecuencia)
  - ningún producto usado con una mezcla de combustible inadecuada (combustible, aceite, porcentaje de aceite)
  - ningún daño causado por influencias externas (químicas, físicas, impactos) o sustancias extrañas
  - desgaste normal de piezas de repuesto
  - uso inadecuado, sobrecarga de la herramienta
  - uso de accesorios o piezas no aprobados
  - Cualquier ajuste periódico o limpieza de mantenimiento de los carburadores
  - Componentes (piezas y accesorios) sujetos al desgaste natural incluyendo, entre otros, pomos de golpes, correas de transmisión, embragues, cuchillas de cortasetos o cortacésped, ameses, cable del acelerador, escobillas de carbono, cables eléctricos, púas, discos de fieltro, pasadores de enganche, ventiladores de soplar, tubos de aspiración y de soplado, bolsas y correas de aspiración, barras guías, cadenas de sierra, mangueras, herrajes de conectores, boquillas pulverizadoras, ruedas, lanzas pulverizadoras, bobinas interiores, carretes exteriores, líneas de corte, bujías, filtros de aire, filtros de gas, cuchillas de compostaje, etc.
- Para su mantenimiento, el producto debe enviarse o presentarse a una estación de servicio de RYOBI autorizada que figure en la siguiente lista de direcciones de estaciones de servicio por países. En algunos países, su distribuidor RYOBI local se responsabiliza de enviar el producto a la compañía de servicio de RYOBI. Cuando se envíe un producto a una estación de servicio de RYOBI, este debe estar empaquetado de forma segura sin contenidos peligrosos como gasolina, marcado con la dirección del remitente y acompañado de una breve descripción del fallo.
- Una reparación / sustitución con esta garantía es gratuita. No constituye una ampliación ni un nuevo comienzo del periodo de garantía. Las piezas o herramientas intercambiadas pasan a ser de nuestra propiedad. En algunos países, los gastos de envío o correo tendrá que pagarlos el remitente. Sus derechos legales derivados de esta compra de la herramienta no se verán afectados.
- Esta garantía es válida en el Reino Unido, Suiza, Islandia, Noruega, Lichtenstein, Turquía y Rusia. Fuera de estas zonas, póngase en contacto con su distribuidor de RYOBI autorizado para determinar si es aplicable otra garantía.

### SERVICIO TÉCNICO AUTORIZADO

Para encontrar el servicio técnico autorizado más cercano, visite <http://uk.ryobitools.eu/header/service-and-support/service-agents>.



## IT CONDIZIONI DI VALIDITÀ DELLA GARANZIA RYOBI®

In aggiunta ai diritti di legge risultanti dall'acquisto, il prodotto è coperto dalla garanzia sotto descritta.

- Il periodo di garanzia è di 24 mesi per i consumatori, a decorrere dalla data di acquisto del prodotto. La data deve essere documentata da una fattura o altra prova d'acquisto. Il prodotto è progettato e destinato solo all'utilizzo privato dei consumatori. Pertanto non viene fornita alcuna garanzia in caso di uso professionale o commerciale.
- Per una serie di utensili da giardino (CA/CC) è possibile prolungare il periodo di garanzia oltre quello descritto, registrandosi sul sito web [www.ryobitools.eu](http://www.ryobitools.eu). Gli utensili per i quali è possibile prolungare il periodo di garanzia sono chiaramente indicati nei negozi e/o sulle confezioni e nella documentazione dei prodotti. L'utente deve registrare online l'utensile acquistato entro 30 giorni dalla data di acquisto. L'utente può registrarsi per la garanzia prolungata nel proprio paese di residenza, se questo è elencato nel modulo di registrazione online dove questa opzione sia valida. Inoltre gli utenti devono fornire il proprio consenso alla conservazione dei dati da immettere online e devono accettare le condizioni generali. La conferma di registrazione, inviata tramite e-mail, e la fattura originale indicante la data di acquisto, costituiranno la prova della garanzia prolungata.
- La garanzia copre tutti i difetti del prodotto durante il periodo di garanzia, risultanti da manodopera o materiali alla data di acquisto. La garanzia è limitata alla riparazione e/o sostituzione e non include alcun altro obbligo quali, a mero titolo esemplificativo, i danni incidentali o consequenziali. La garanzia non è valida se il prodotto è stato usato scorrettamente, in modo contrario al manuale di istruzioni o se è stato collegato in modo errato. La garanzia non è valida per:
  - qualsiasi danno al prodotto dovuto a manutenzione errata;
  - qualsiasi prodotto che sia stato alterato o modificato;
  - qualsiasi prodotto le cui marcature di identificazione originali (marchi di fabbrica, numero di serie) siano state cancellate, alterate o rimosse;
  - qualsiasi danno causato dalla non osservanza delle istruzioni del manuale;
  - qualsiasi prodotto privo di omologazione CE;
  - qualsiasi prodotto che sia stato sottoposto a un tentativo di riparazione da parte di un professionista non qualificato oppure senza la previa autorizzazione di Techtronic Industries;
  - qualsiasi prodotto collegato a un'alimentazione errata (per ampere, tensione, frequenza);
  - qualsiasi prodotto usato con una miscela di carburante errata (carburante, olio, percentuale di olio);
  - qualsiasi danno causato da influenze esterne (chimiche, fisiche, urti) o sostanze estranee;
  - la normale usura delle parti di ricambio;
  - uso inappropriato, sovraccarico dell'utensile;
  - uso di accessori o parti non omologate;
  - qualsiasi regolazione periodica o pulizia di manutenzione dei carburatori;
  - componenti (parti e accessori) soggetti alla normale usura compresi, a mero titolo esemplificativo, testine a filo, cinghie di trasmissione, frizioni, lame di tagliasiepi o tagliaerba, imbragature, cavi di accelerazione, spazzole al carbonio, cavi di alimentazione, denti, rondelle di feltro, perni di aggancio, ventole dei soffiatori, tubi di soffiatori e aspiratori, sacchetti e cinghie per aspirapolvere, barre guida, catene per seghe, tubi, raccordi di connessione, ugelli di spruzzo, ruote, erogatori, bobine interne ed esterne, linee di taglio, candele, filtri dell'aria, filtri del gas, lame per mulching ecc.
- Per la manutenzione il prodotto dev'essere spedito o portato presso uno dei centri assistenza autorizzati RYOBI elencati per ogni paese nel seguente elenco di indirizzi dei centri. In alcuni paesi il rivenditore locale RYOBI si incarica di inviare il prodotto all'organizzazione di assistenza RYOBI. Quando si invia un prodotto a un centro assistenza RYOBI, imballarlo in modo sicuro senza contenuti pericolosi come la benzina, apporre l'indirizzo del mittente e accompagnarli da una breve descrizione del guasto.
- La riparazione/sostituzione ai sensi della presente garanzia è gratuita. Non costituisce un prolungamento o un nuovo inizio del periodo di garanzia. Le parti o gli utensili scambiati diventano di nostra proprietà. In alcuni paesi i costi di consegna o di spedizione postale devono essere pagati dal mittente. I diritti di legge derivanti dall'acquisto dell'utensile rimangono inalterati.
- La presente garanzia è valida in Unione Europea, Svizzera, Islanda, Norvegia, Liechtenstein, Turchia e Russia. Al di fuori di tali aree contattare il rivenditore autorizzato RYOBI per sapere se è valida un'altra garanzia.

### CENTRO SERVIZI AUTORIZZATO

Per individuare il più vicino centro servizi autorizzato, visitare il sito <http://uk.ryobitools.eu/header/service-and-support/service-agents>.

## NL RYOBI® GARANTIEVOORWAARDEN

Naast de wettelijke rechten die voortvloeien uit de aankoop, wordt dit product gedekt door een garantie, zoals hieronder staat vermeld.

- De garantietermijn voor consumenten bedraagt 24 maanden en gaat in op de datum waarop het product is gekocht. Deze datum moet worden gedocumenteerd met een factuur of een ander aankoopbewijs. Het product is uitsluitend ontworpen en bedoeld voor persoonlijk gebruik door consumenten. Er wordt dus geen garantie gegeven voor professioneel of commercieel gebruik.
- Voor een deel van ons aanbod van tuingereedschappen (AC/DC) is het mogelijk om de garantietermijn te verlengen over de boven beschreven termijn, met behulp van de website [www.ryobitools.eu](http://www.ryobitools.eu). De gereedschappen die in aanmerking komen voor de verlenging van de garantietermijn wordt duidelijk weergegeven in winkels en/of verpakkingen en staat beschreven in de productdocumentatie. De eindgebruiker moet zijn/haar nieuw gekochte gereedschappen binnen 30 dagen na aankoop online registreren. De eindgebruiker kan zich registreren voor de verlengde garantietermijn als zijn woonland staat vermeld op het online registratieformulier waar deze optie geldig is. Bovendien moeten eindgebruikers toestemming geven voor de opslag van de gegevens die online ingevuld moeten worden en moeten ze de algemene voorwaarden accepteren. Het ontvangstbewijs van de registratie, dat per e-mail wordt verzonden en de oorspronkelijke factuur met de aankoopdatum vormt het bewijs van de verlengde garantietermijn.
- De garantie dekt tijdens de garantietermijn alle gebreken van het product vanwege defecten in vakmanschap of materiaal op de aankoopdatum. De garantie is beperkt tot reparatie en/of vervanging en bevat geen andere verplichtingen, waaronder maar niet beperkt tot incidentele of gevolgschade. De garantie is niet geldig als het product is misbruikt, in strijd met de gebruiksaanwijzing wordt gebruikt of onjuist is aangesloten. Deze garantie geldt niet voor:
  - alle schade aan het product die het gevolg is van onjuist onderhoud
  - elk product dat is veranderd of aangepast
  - elk product waar de oorspronkelijke identificatie (handelsmerk, serienummer) is beschadigd, gewijzigd of verwijderd
  - alle schade die is veroorzaakt door het niet opvolgen van de gebruiksaanwijzing
  - elk niet-CE-product
  - elk product waar een poging tot reparatie is gedaan door een niet-erkende professional of zonder voorafgaande toestemming door Techtronic Industries.
  - elk product dat is verbonden met een verkeerde voeding (amperage, spanning, frequentie)
  - elk product dat wordt gebruikt met een verkeerd brandstofmengsel (brandstof, olie, oliegehalte)
  - alle schade die is veroorzaakt door externe invloeden (chemisch, fysisch, schokken) of vreemde stoffen
  - normale slijtage van reserveonderdelen
  - ongepast gebruik, overbelasting van het gereedschap
  - gebruik van niet-goedgekeurde accessoires of onderdelen
  - Alle periodieke aanpassingen aan of het onderhoud en reiniging van carburateurs
  - Componenten (onderdelen en accessoires) die onderhevig zijn aan natuurlijke slijtage, waaronder maar niet beperkt tot stookknoppen, aandrijfriemen, koppelingen, messen van hegtrimmers of grasmaaiers, harnas, gaskabel, koolstofborstels, stroomsoeroeren, tanden, vilttringen, koppelingsspannen, blazers, blaas- en zuigbuizen, zuigzakken en -riemen, geleidingsstaven, zaagkettingen, slangen, koppelingen, mondstukken, wielen, spuitstokken, binnenhaspels, buitenhaspels; snijdraden, bougies, luchtfilters, gasfilters, maaimessen, etc.
- Voor onderhoud moet het product worden verzonden of gebracht naar een erkend servicecentrum van RYOBI die voor elk land staan vermeld in de volgende lijst met adressen voor servicecentrations. In sommige landen zal uw lokale RYOBI-dealer het product verzenden naar de RYOBI-serviceorganisatie. Wanneer u het product naar een servicecentrum van RYOBI verzendt, moet het product veilig worden verpakt zonder enige gevaarlijke inhoud, zoals benzine, met het adres van de afzender en vergezeld van een korte beschrijving van het defect.
- Een reparatie/vervanging die onder deze garantie valt is gratis. Het vormt geen verlenging of een nieuwe start van de garantietermijn. Vervisselde onderdelen of gereedschappen worden ons eigendom. In sommige landen moeten de verzendkosten door de afzender worden betaald. Uw wettelijke rechten die voortvloeien uit de aankoop van het gereedschap blijven onaangetaast.
- Deze garantie is geldig in de Europese Gemeenschap, Zwitserland, IJsland, Noorwegen, Liechtenstein, Turkije en Rusland. Buiten deze gebieden moet u contact opnemen met uw erkende RYOBI-dealer om vast te stellen of er een andere garantie van toepassing is.

### GEAUTORISEERD ONDERHOUDSCENTRUM

Om een geautoriseerd onderhoudscentrum in uw buurt te vinden, surf u naar <http://uk.ryobitools.eu/header/service-and-support/service-agents>.

## PT CONDIÇÕES DE APLICAÇÃO DA GARANTIA RYOBI®

Para além de quaisquer direitos previstos por lei resultantes da compra, este produto está coberto por uma garantia conforme descrito abaixo.

- O período da garantia é de 24 meses para consumidores particulares e inicia-se na data de compra do produto. Esta data tem de ser documentada por uma factura ou por outra prova de compra. O produto foi concebido para e destina-se apenas a consumidores particulares e uso privado. Assim, não é dada garantia em caso de utilização por profissionais ou uso comercial.
- Para uma parte da gama de ferramentas de jardim (AC/DC) existe a possibilidade de prolongamento do período da garantia para além do período descrito acima, mediante registo no Web site [www.ryobitools.eu](http://www.ryobitools.eu). A elegibilidade das ferramentas para prolongamento do período da garantia é claramente visível nas lojas e/ou nas embalagens e está contida na documentação do produto. O utilizador final tem de fazer o registo online das suas ferramentas recém-adquiridas no prazo de 30 dias após a data de compra. O utilizador final pode fazer o registo para prolongamento da garantia no seu país de residência, desde que esteja listado no formulário de registo online e para os casos em que esta opção seja válida. Para além disso, os utilizadores finais têm de autorizar o armazenamento dos dados cujo preenchimento lhes for solicitado online e têm de aceitar os termos e as condições. O recibo de confirmação do registo é enviado por e-mail e, em conjunto com a factura original ostentando a data de compra, servirá de prova do prolongamento da garantia.
- A garantia cobre todos os defeitos do produto durante o período da garantia devidos a defeitos de fabrico ou de material à data da compra. A garantia está limitada à reparação e/ou substituição e não inclui quaisquer outras obrigações, incluindo mas não se limitando a, perdas complementares ou indirectas. A garantia não é válida se o produto tiver sido utilizado incorrectamente, utilizado de forma contrária ao Manual de Instruções ou se as respectivas ligações tiverem sido feitas incorrectamente. Esta garantia não se aplica ao seguinte:
  - quaisquer danos ao produto que sejam resultado de manutenção incorrecta
  - qualquer produto que tenha sido alterado ou modificado
  - qualquer produto cujas marcações de identificação de origem (marca comercial, número de série) tiverem sido apagadas, alteradas ou retiradas
  - quaisquer danos causados pelo incumprimento do Manual de Instruções
  - qualquer produto que não seja da Comunidade Europeia
  - qualquer produto ao qual tenha sido feita, ou tentada fazer, uma reparação por outra pessoa que não um profissional habilitado ou sem autorização prévia da Techtronic Industries.
  - qualquer produto ligado a uma fonte de alimentação eléctrica incorrecta (Amperes, Voltagem e Frequência)
  - qualquer produto utilizado com uma mistura de combustível incorrecta (combustível, óleo, percentagem de óleo)
  - qualquer dano causado por influências externas (químicas, físicas, impactos) ou substâncias estranhas
  - desgaste e degradação normal de sobresselentes
  - utilização incorrecta, sobrecarga da ferramenta
  - utilização de acessórios ou peças não aprovados
  - quaisquer ajustes periódicos a, ou limpeza de manutenção de, carburadores
  - Componentes (peças e acessórios) sujeitos a desgaste e degradação natural, incluindo mas não se limitando a, manganetas anti-choque, correias de transmissão, embraiagens, lâminas de recortadores de sebes ou corta-relvas, ameses, cabos de acelerador, escovas de carbono, cabos eléctricos, dentes, anilhas de feltro, pinos de engate, ventoinhas do soprador, tubos do soprador e do aspirador, cintas e sacos do aspirador, barras de guia, correntes de serra, mangueiras, peças de ligação, bocais de pulverização, rodas, varinhas de pulverização, bobinas interiores, bobinas exteriores, linhas de corte, velas de ignição, filtros do ar, filtros de gasolina, lâminas trituradoras, etc.
- Para assistência, o produto tem de ser enviado para, ou apresentado em, um posto de assistência autorizado RYOBI, conforme listado para cada país na lista de moradas de postos de assistência seguinte. Nalguns países, o seu concessionário RYOBI local encarrega-se de enviar o produto para a organização de assistência RYOBI. Quando enviar um produto para um posto de assistência RYOBI, o produto deve ser embalado de forma segura, sem conter nenhuns conteúdos perigosos (por exemplo, gasolina), marcado com o endereço do remetente e acompanhado por uma breve descrição da avaria.
- Uma reparação/substituição ao abrigo desta garantia é gratuita. Não constitui um prolongamento a, nem um novo início de, o período da garantia. As peças ou ferramentas substituídas tornam-se propriedade nossa. Nalguns países, o remetente terá de pagar os custos de entrega ou a remessa postal. Os seus direitos previstos por lei resultantes da compra da ferramenta mantêm-se inalterados
- Esta garantia é válida na Comunidade Europeia, Suíça, Islândia, Noruega, Liechtenstein, Turquia e Rússia. Fora destas áreas, entre em contacto com o seu concessionário autorizado RYOBI para determinar se existe outra garantia aplicável.

### CENTRO DE ASSISTÊNCIA AUTORIZADO

Para encontrar um centro de assistência autorizado próximo de si, visite <http://uk.ryobitools.eu/header/service-and-support/service-agents>.

## DA RYOBI® BETINGELSER FOR GARANTI

Udover lovbestemte rettigheder, som resulterer af købet, er dette produkt dækket af en garanti, som anført herunder.

- Garantiperioden er 24 måneder for forbrugere og begynder på den dato, som produktet blev købt. Denne dato skal dokumenteres af en faktura eller andet bevis for køb. Produktet er udelukkende designet og dedikeret til forbrugere og privat brug. Så der ydes ingen garanti i tilfælde af professionel eller kommerciel brug.
- Der er en mulighed for at forlænge garantiperioden for en del af udvalget af haveværktøj (AC/DC), hen over den ovenfor beskrevne periode vha. registrering på hjemmesiden [www.ryobitools.eu](http://www.ryobitools.eu). Berettigelsen af værktøjet til forlængelse af garantiperioden er tydeligt vist i butikker og/eller på emballage/og indeholdt i produktdokumentationen. Slutbrugeren skal registrere hans/hendes nyligt indkøbte værktøj online indenfor 30 dage efter købsdatoen. Slutbrugeren kan registrere sig for den forlængede garanti i sit land, hvis han/hun er opført på den online registreringsformular, hvor denne mulighed er gyldig. Derudover skal slutbrugere give deres samtykke til at opbevare data, som er påkrævet at indtastes online, og de er nødt til at acceptere vilkår og betingelser. Registreringsbekræftelseskvitteringen, som sendes ud på e-mail, og den originale faktura, som viser købsdatoen, vil fungere som bevis for den forlængede garanti.
- Garantien dækker alle defekter, som et produkt måtte have i løbet af garantiperioden, og som skyldes fejl i håndværk eller materiale på købsdatoen. Garantien er begrænset til reparation og/eller udskitning og inkluderer ikke andre forpligtelser, inklusiv men ikke begrænset til tilfældige skader eller følgeligskader. Garantien er ugyldig, hvis produktet er blevet misbrugt, brugt uden at overholde vejledningen, eller det er blevet forkert tilsat. Denne garanti gælder ikke:
  - Beskadigelse af produktet, som er et resultat af uegnet vedligeholdelse
  - Et produkt der er blevet ændret eller modificeret
  - Et produkt hvor de originale identifikationsmærkninger (varemærke, serienummer) er blevet ødelagt, ændret eller fjernet.
  - Enhver beskadigelse forårsaget af manglende overholdelse af vejledningen
  - Ethvert CE-produkt
  - Ethvert produkt som er blevet forsøgt repareret af en ukvalificeret professionel eller uden tidligere autorisation af Techtronic Industries.
  - Ethvert produkt som er tilsat til uegnet strømforsyning (ampere, spænding, frekvens)
  - Ethvert produkt som bruges med uegnet brændstofblanding (brændstof, olie, procentdel olie)
  - Enhver skade forårsaget af ekstern påvirkning (kemisk, fysisk, chok) eller fremmedelementer
  - Normal slid på reservedele
  - Uegnet brug, overbelastning af værktøjet
  - Brug af ikke-godkendt tilbehør eller dele
  - Alle regelmæssige justeringer eller vedligeholdelsesrengøring af karburatorer
  - Komponenter (dele og tilbehør) som er udsat for naturlig slid og ælde, inklusiv men ikke begrænset til drejknapper, drivrem, greb, klinger til hæktrimmere eller plæneklippere, seje, kabel gasspæld, kulbørster, elledning, tænder, filtskiver, ophængstapper, blæserventilatorer, blæser- og sugestanger, sugespøse og stroppe, styrestænger, savkæder, slanger, forbindelsespakninger, sprøjtedyser, hjul, sprøjtestave, indvendige ruller, udvendige ruller, udvendige spoler, skærelinjer, tændrør, luffiltre, gasfiltre, tidækningsblade etc.
- For eftersyn skal produktet sendes til eller præsenteres for en RYOBI-autoriseret servicestation, som er oplyst for hvert land i den følgende liste over servicestationsadresser. I nogle lande påtager din lokale RYOBI-forhandler sig ansvaret for at sende produktet til RYOBI-serviceorganisationen. Når et produkt sendes til en RYOBI-servicestation, skal det pakkes sikkert ind uden noget farligt indhold som benzin, mærkes med afsenderens adresse og med en kort beskrivelse af fejlen.
- En reparation/erstatning under denne garanti er gratis. Den udgør ikke en forlængelse eller en ny start på garantiperioden. Udvekslede dele eller værktøjer bliver vores ejendom. I nogle lande skal leveringsafgifter eller porto betales af afsenderen. Dine lovbestemte rettigheder i forbindelse med købet forbliver uanfægtede
- Denne garanti gælder i EU, Schweiz, Island, Norge, Liechtenstein, Tyrkiet og Rusland. Udenfor disse områder bedes du kontakte din autoriserede RYOBI-forhandler for at afgøre, om en anden garanti gælder.

### AUTORISEREDE SERVICEVÆRKSTEDER

Find nærmeste autoriserede serviceværksted på <http://dk.ryobitools.eu/header/service-and-support/service-agents>.

## SV RYOBI® ANVÄNDNINGSVILLKOR FÖR GARANTI

Förutom eventuella lagstadgade rättigheter som uppstår genom köpet, täcks den här produkten av en garanti som anges nedan.

- Garantiperioden är 24 månader för konsumenter och börjar gälla från det datum då produkten köptes. Detta datum måste dokumenteras på en faktura eller annat köpbevis. Produkten är utformad och avsedd för konsumenter och privat bruk. Därmed tillhandahålls ingen garanti vid yrkesmässigt eller kommersiellt bruk.
- Det finns möjlighet att förlänga garantiperioden för en del av utbudet för trädgårdsverktyg (AC/DC) under den period som anges ovan genom att använda registreringen på webbplatsen [www.ryobitools.eu](http://www.ryobitools.eu). De verktyg som är berättigade till en förlängning av garantiperioden visas tydligt i butiker och/eller på förpackningen/och anges i produktdokumentationen. Slut användaren behöver registrera hans/hennes nyförvärdade verktyg online inom 30 dagar från köpdatumet. Slut användaren kan registrera sig för den förlängda garantin i det land där han/hon bor om landet finns angivet i registreringsformuläret online och där detta alternativ är giltigt. Dessutom måste slut användaren ge sitt medgivande till lagring av data vilket krävs vid registrering online samt acceptera villkoren. Bekräftelsekvittot för registreringen som skickas ut via e-post och originalfakturan som visar köpdatumet kommer att gälla som bevis för den förlängda garantin.
- Garantin täcker alla produktdefekter under garantiperioden som beror på buster i utförande eller material vid köpdatumet. Garantin är begränsad gällande reparation och/eller utbyte och inkluderar inte några skyldigheter inklusive men inte begränsat till oförutsedda skador eller följdskador. Garantin är inte giltig om produkten har missbrukats, använts i strid med bruksanvisningen eller inte anslutits på rätt sätt. Denna garanti täcker inte:
  - eventuella skador på produkten som uppstått till följd av felaktigt underhåll
  - produkter som har ändrats eller modifierats
  - produkter där ursprungliga identifieringsmärkningar (varumärke, serienummer) har målats över, ändrats eller tagits bort
  - eventuella skador som uppstått till följd av att bruksanvisningen inte efterföljts
  - alla icke CE-produkter
  - eventuella produkter som har försökts repareras av en icke- kvalificerad yrkesman eller utan föregående medgivande från Technronic Industries.
  - eventuella produkter som anslutits till felaktig strömförsörjning (ampere, volt, frekvens)
  - eventuella produkter som använts med olämplig bränsleblandning (bränsle, olja, oljeprocent)
  - eventuella skador som uppstått till följd av yttre påverkan (kemisk, fysisk, stötar) eller främmande ämnen
  - normalt slitage av reservdelar
  - olämplig användning, överbelastning av verktyget
  - användningen av icke-godkända tillbehör eller delar
  - Eventuella periodiska justeringar av eller vid underhållsrengöring av förgasare
  - Komponenter (delar och tillbehör) är föremål för naturligt slitage, inklusive men inte begränsat till tryckknappar, drivremmar, koppling, blad till kantrimrar eller gräsklippare, sele, gasreglageväjare, kolborstar, strömsladd, spetsar, filterbrickor, kopspringsprint, blåsfäkt, blå- och sugrör, sugpåse och remmar, styrskenor, sågkedjor, slangar, anslutningsdonördel, spraymunstycken, hjul, spraystavar, innerrullar, ytterspolar, skärtråd, tändstift, luftfilter, gasfilter, sönderdelningsblad osv.
- Vid service måste produkten skickas eller uppvisas för en RYOBI- auktoriserad servicestation som står angiven för varje land i följande adresslista över servicestationer. I vissa länder tar din lokala RYOBI- återförsäljare på sig ansvaret att skicka produkten till RYOBI- serviceorganisationen. När en produkt skickas till en RYOBI- servicestation, ska produkten paketeras säkert utan något farligt innehåll såsom bensin, markeras med avsändarens adress samt en kort beskrivning av felet.
- En reparation/ett utbyte under denna garanti är kostnadsfri. Det utgör inte en förlängning eller förymelse av garantiperioden. Utbyta delar eller verktyg blir vår egendom. I vissa länder måste leveranskostnader eller porto betalas av avsändaren. Dina lagstadgade rättigheter som härrör från köpet av verktyget förblir opåverkade
- Denna garanti är giltig i Europeiska gemenskapen: Schweiz, Island, Norge, Liechtenstein, Turkiet och Ryssland. Utanför dessa länder, kontakta din auktoriserade RYOBI-återförsäljare för att avgöra om en annan garanti gäller.

### AUKTORISERAT SERVICECENTER

Du hittar närmaste auktoriserade servicecenter genom att gå till <http://uk.ryobitools.eu/header/service-and-support/service-agents>.

## FI RYOBI®-TAKUUN SOVELTAMISEHDOT

Tällä tuotteella on oston luomien lakisääteisten oikeuksien ohella alla mainitun mukainen takuu.

- Takuun kesto on kuluttajille 24 kuukautta ja takuu-aika alkaa tuotteen ostopäivästä. Tämän päivämäärän tulee lukea laskussa tai muussa ostotositteessa. Tuote on suunniteltu ja tarkoitettu vain kuluttajien ja yksityiseen käyttöön. Takuu ei siis kata ammatti- eikä kaupallista käyttöä.
- Joidenkin puutarhatyökalujen (AC/DC) takuun kesto on mahdollista laajentaa yllä mainittua kestoja pidemmäksi verkkoistuvoston [www.ryobitools.eu](http://www.ryobitools.eu) rekisteröinnin kautta. Työkalujen kelpoisuus takuukäyttöön laajennukseen näkyy selkeästi myymälöissä ja/tai pakkauksissa ja/tai tämä tieto sisältyy tuotetiedotukseen. Loppukäyttäjän täytyy rekisteröidä vasta hankittu työkalu internetissä 30 päivän kuluessa ostopäivästä. Loppukäyttäjän voi rekisteröidä laajennettua takuun kotimaassaan, jos se on luetteluna online-rekisteröintilomakkeessa, jossa mainitaan, missä tämä vaihtoehto on voimassa. Loppukäyttäjän täytyy lisäksi hyväksyä tietojen tallennus, joita heidän täytyy antaa online-tilassa sekä ehdot. Rekisteröinnin vahvistuskuitti, joka lähetetään sähköpostitse, ja alkuperäinen ostopäivämäärän ilmaiseva lasku toimivat laajennettua takuun tositteina.
- Takuu kattaa kaikki tuotteeseen takuu-aikana tulevat viat, joiden aiheuttajina ovat tuotteessa ostopäivästä olleet valmistus- tai materiaaliviat. Takuu on rajoitettu korjaukseen ja/tai vaihtoon eikä se sisällä mitään muita velvoitteita mukaan lukien satunnaisia- ja seurannaisvahinkoja, mutta rajoittamatta niihin. Takuu ei päde, jos tuotetta on käyretty väärin, käyttöohjeen vastaisesti tai jos se on liitetty virheellisesti. Tämä takuu ei kata:
  - virheellisestä huollosta johtuvia vaurioita
  - muunnettua tai muutettua tuotetta
  - tuotetta, jonka alkuperäiset tunnistemerkinnät (tavaramerkki, sarjanumero) on turmeltu, muutettu tai poistettu
  - tämän käyttöoppaan laiminlyönnistä johtuvia vaurioita
  - ei-CE-tuotetta
  - tuotetta, jota on yrittänyt korjata epäpätevä ammattilainen tai joka on korjattu ilman Technronic Industrien ennakkolupaa.
  - tuotetta, joka on liitetty virheelliseen tehohäätteen (ampeirit, jännite, taajuus)
  - tuotetta, jossa on käyretty väärää polttoaineseosta (polttoaine, öljy, öljyprosentti)
  - ulkoisten vaikutusten (kemiallinen, fyysinen, iskut) tai vieraiden aineiden aiheuttamaa vauriota
  - normaaleja kuluvia vaurioita
  - virheellistä käyttöä, työkalun ylikuormitusta
  - ei-hyväksytyjen tarvikkeiden tai osien käyttöä
  - Kaasutintien säännöllistä säätöä tai ylläpitävää puhdistusta
  - Luonnollisesti säännöllisiä komponentteja (osia tai tarvikkeita), joihin sisältyvät puskunupit, käyttöihnit, kytkin, pensasleikkuriin tai ruohonleikkuriin terät, valjaat, kaasuvaijeri, hiiliharjat, virtajohto, piikit, huopatiivisteet, sokkapatit, puhallinten tuuletimet, puhallin- ja imuputket, imuriin säkit ja ihnit, terälevyt, sahankeijut, letkut, liittinosat, suihkusuihkeet, pyörät, ruiskutusputket, sisä- ja ulkoikat, leikkusilmät, hehkutulpat, ilmansuodattimet, kaasusuodattimet, silpputerät yms. näihin kuitenkin rajoittamatta.
- Tuote on lähetettävä huollettavaksi valtuutettuun RYOBI-huoltoon tai näytettävä siellä. Niiden osoitteet kussakin maassa löytyvät seuraavasta luettelosta. Joissakin maissa paikallinen RYOBI-jälleenmyyjä huolehtii tuotteen lähetyksestä RYOBI-huolto-organisaatioon. Kun tuote lähetetään RYOBI-huoltoon, se täytyy pakata hyvin ilman vaarallisia aineita, kuten polttoainetta, ja pakkaukseen täytyy merkitä lähettäjän nimi sekä vian lyhyt kuvaus.
- Takuun kattama korjaus/vaihto on maksuton. Se ei tarkoita takuuajan laajennusta tai alkamista alusta. Vaihdetut osat tai työkalut siirtyvät valmistajan omistukseen. Joissakin maissa lähettäjän täytyy maksaa lähetyksenkustannukset tai postikulut. Työkalun oston luomat lakisääteiset oikeudet pysyvät koskemattomina
- Tämä takuu on voimassa Euroopan yhteisössä, Sveitsissä, Islannissa, Norjassa, Liechtensteinissa, Turkissa ja Venäjällä. Ota näiden alueiden ulkopuolella yhteyttä omaan valtuutettuun RYOBI-jälleenmyyjään ja selvitä, onko jotain muuta takuuta.

### VALTUUTETTU HUOLTO

Voit etsiä lähimmän valtuutetun huollon sivulta <http://fi.ryobitools.eu/header/service-and-support/service-agents>.

## **(NO)** RYOBI® GARANTIBETINGELSER

I tillegg til eventuelle lovbestemte rettigheter som følger av kjøpet, er dette produktet dekket av en garanti som angitt nedenfor.

- Garantiperioden er 24 måneder for konsumenter og gjelder fra den datoen som produktet ble kjøpt. Denne datoen skal dokumenteres med en faktura eller annet kjøpsbevis. Produktet er designet og beregnet kun til konsument- og privat bruk. Så det gis ingen garanti ved profesjonell eller kommersiell bruk.
- For en del av utvalget av hageverktøy (AC/DC) er det mulighet til å utvide garantiperioden i den perioden som er beskrevet ovenfor ved bruk av registrering på nettsidene [www.ryobitools.eu](http://www.ryobitools.eu). Kvalifiseringen av verktøyene for en utvidelse av garantiperioden er tydelig vist i butikker og Teller på pakningen / og finnes innen produktdokumentasjonen. Sluttbrukeren må registrere sine nylig anskaffede verktøy online innen 30 dager etter kjøpsdato. Sluttbrukeren kan registrere seg for den utvidede garantien i sitt land hvis det er opplyst på online registreringsskjemaet der dette alternativet er gyldig. Videre må sluttbrukere gi sitt samtykke til oppbevaring av dataene som kreves for å gå online, og de må godta vilkår og betingelser. Registreringsbekreftelesen, som sendes ut på e-post, og den originale fakturaen som viser kjøpsdato, vil tjene som bevis for den utvidede garantien.
- Garantien dekker alle defekter i produktet under garantiperioden på grunn av defekter i utførelse eller materiale på kjøpsdato. Garantien er begrenset til å reparere eller erstatte og inkluderer ikke noen andre forpliktelser, inkludert, men ikke begrenset til, tilfellelige eller følgeligsskader. Garantien er ikke gyldig hvis produktet har blitt misbrukt, brukt på annen måte enn det som beskrives i bruksanvisningen eller er koblet til på feil måte. Denne garantien gjelder ikke for:
  - enhver skade på produktet som er resultat av utlittekravlig vedlikehold
  - ethvert produkt som har blitt endret eller modifisert
  - ethvert produkt der de originale identifiseringsmerkene (varemerke, serienummer) har blitt uleselig, er endret eller fjernet
  - enhver skade som forårsakes av ikke-overholdelse av instruksjonshåndboken
  - ethvert ikke-CE-produkt
  - ethvert produkt som har blitt forsøkt reparert eller av en ikke-kvalifisert fagperson eller uten tidligere autorisasjon fra Techtronic Industries.
  - ethvert produkt tilkoblet feil strømforsyning (ampere, spenning, frekvens)
  - ethvert produkt som brukes med feil drivstoffblandning (drivstoff, olje, prosentandel olje)
  - enhver skade som er forårsaket av eksterne påvirkninger (kjemiske, fysiske, støt) eller fremmede stoffer
  - normal slitasje og slitereserverdel
  - feil bruk, overbelastning av verktøyet
  - bruk av ikke-godkjent tilbehør eller deler
  - Eventuelle periodiske justeringer av eller vedlikeholdrensing av forbrennere
  - Komponenter (deler og tilbehør) som er underlagt naturlig slitasje, inkludert, men ikke begrenset til bulkknøtter, drivreimer, clutch, blader på hekktrimmere eller gressklippere, seler, kabelspjeld, karbonbørster, strømledning, kniver, feltpakninger, heispinner, blåsevifter, blåse- og vakuumslang, vakuumpose og reimer, førerstenger, sagkjeder, strømpor, koblingsmonteringer, spraydyser, hjul, spraystenger, indre spoler, ytre spoler, kutteliljer, tennplugg, luftfilter, gassfilter, mulchingblader osv.
- For service må produktet sendes eller fremlegges for en RYOBI- autorisert servicestasjon opplyst for hvert land i den følgende listen over servicestasjonsadresser. I noen land sender den lokale RYOBI-forhandleren produktet til RYOBI serviceorganisasjonen. Ved å sende et produkt til en RYOBI servicestasjon skal produktet være sikkert pakket uten noe farlig innhold, slik som bensin, merket med senderens adresse og fulgt av en kort beskrivelse av feilen.
- En reparasjon/erstatning under denne garantien er gratis. Den utgjør ingen forlenget eller en ny start av garantiperioden. Utvekslede deler eller verktøy blir vår eiendom. I noen land vil leveringskostnader eller franking måtte betales av senderen. Dine lovbestemte rettigheter som oppstår fra kjøp av verktøyet forblir ubørstet.
- Denne garantien er gyldig i EU, Sveits, Island, Norge, Liechtenstein, Tyrkia og Russland. Utenfor disse områdene ta kontakt med din autoriserte RYOBI-forhandler om en annen garanti gjelder.

### AUTORISERT SERVICESENTER

For å finne et autorisert servicesenter i nærheten, gå til <http://no.ryobitools.eu/header/service-and-support/service-agents>.

## **(RU)** УСЛОВИЯ ПРИМЕНЕНИЯ ГАРАНТИИ НА ПРОДУКЦИЮ RYOBI®

Помимо законных прав, возникающих при покупке, данное изделие покрывается гарантией в соответствии с приведенными ниже пунктами.

- Гарантийный период для покупателя составляет 24 месяца с даты покупки изделия. Дата покупки должна быть подтверждена полностью заполненным гарантийным талоном и чеком о покупке. Данное изделие предназначено только для частного использования покупателем. Поэтому гарантия не распространяется на использование в профессиональных или коммерческих целях.
- Предусмотрена возможность продления для части изделий линейки садовых инструментов (AC/DC) гарантийного периода с помощью регистрации на сайте [www.ryobitools.eu](http://www.ryobitools.eu). Право инструмента на продление гарантийного периода четко указано в магазине и / или на упаковке / и содержится в сопутствующем инструменту документации. Конечный пользователь должен зарегистрировать свой приобретенный инструмент в течение 30 дней с даты покупки. Конечный пользователь может зарегистрировать свой инструмент на продление гарантии в стране своего проживания, если она указана в форме онлайн-регистрации. Кроме того, конечный пользователь должен дать свое согласие на хранение данных, которые необходимо ввести в онлайн-форму и принять правила и условия. Подтверждение регистрации, которое вы получите по электронной почте, заполненный гарантийный талон и оригинальный чек, в котором указана дата покупки, будут служить доказательством продленной гарантии.
- Гарантия покрывает в течение гарантийного периода все дефекты качества или материала изделия на дату покупки. Гарантия ограничена ремонтом и / или заменой и не включает никакие другие обязательства, включая, но не ограничиваясь случайными или косвенными убытками. Гарантия становится недействительной, если изделие использовалось не по назначению, вопреки инструкциям, данным в Руководстве пользователя или было неправильно подключено. Настоящая гарантия не распространяется на:
  - любые повреждения изделия в результате неправильного технического обслуживания или недостаточного ухода за инструментом
  - любые изделия, подвергшиеся изменению и модификации
  - любые изделия, оригинальные идентификационные отметки которого (торговая марка, серийный номер) были повреждены, изменены или удалены
  - любые повреждения, вызванные несоблюдением инструкций Руководства пользователя
  - любые изделия, не сертифицированные маркировкой "CE" для продажи в Европейском союзе
  - любые изделия, подвергшиеся попыткам ремонта неквалифицированным работником или без предварительного утверждения компанией Techtronic Industries.
  - любые изделия, подключенные к неправильному источнику питания (сила тока, напряжение, частота)
  - любые изделия, в которых использовались несоответствующие топливные смеси (топливо, масло, процент масла)
  - любые повреждения, вызванные внешними воздействиями (химические, физические, удары) или посторонними веществами
  - естественный износ запасных деталей
  - несоответствующее использование, перегрузка инструмента
  - использование неутвержденных аксессуаров и неоригинальных запасных деталей
  - любые регулярные регулировки, техническое обслуживание или чистка карбюраторов
  - компоненты (детали и аксессуары), подверженные естественному износу, включая, но не ограничиваясь ручки головки, приводные ремни, шестные муфты, лезвия триммеров и газонокосилок, пильные цепи, пильные диски, соединительные детали, распылительные насадки, колеса, распылительные переходники, внутренние и внешние катушки, режущую леску, свечи зажигания, воздушные и топливные фильтры, мульчирующие лезвия и др.
- Для проведения технического обслуживания изделие следует направлять в авторизованные сервисные центры RYOBI, указанные для каждой страны в приведенном ниже списке адресов станций сервисного обслуживания. В некоторых странах местные дилеры RYOBI отправляют изделия в сервисные организации RYOBI. При отправке изделия в сервисный центр RYOBI, изделие должно быть безопасно упаковано и не содержать никаких опасных веществ, таких как бензин, должен быть подписан адрес отправителя и сопровождаться кратким описанием неисправности.
- Ремонт / замена проводится в рамках настоящей гарантии бесплатно. Он не продлевает гарантию и не начисляет новый гарантийный период. Замененные детали и инструменты становятся нашей собственностью. В некоторых странах отправитель должен оплачивать стоимость отправки. Ваши законные права, возникшие при покупке инструмента, остаются неизменными.
- Данная гарантия действительна в Европейском Сообществе, Швейцарии, Исландии, Норвегии, Лихтенштейне, Турции и России. Вне указанных территорий обращайтесь к своему авторизованному дилеру RYOBI, чтобы узнать, применяются ли условия каких-либо других гарантий.

### УПОЛНОМОЧЕННЫЙ СЕРВИСНЫЙ ЦЕНТР

Чтобы найти ближайший уполномоченный сервисный центр, обратитесь к веб-сайту <http://ru.ryobitools.eu/header/service-and-support/service-agents/>.

## PL WARUNKI GWARANCJI RYOBI®

Opórcz praw ustawowych wynikających z zakupu produkt jest objęty gwarancją, której warunki podano poniżej.

- Okres gwarancyjny wynosi 24 miesięcy dla konsumentów i rozpoczyna się w dniu zakupu produktu. Datę zakupu należy udokumentować fakturą lub innym dowodem zakupu. Produkt został zaprojektowany i jest przeznaczony do użytku konsumenckiego i prywatnego. W związku z tym gwarancja nie obejmuje zastosowań profesjonalnych i komercyjnych.
- Istnieje możliwość wydłużenia okresu gwarancyjnego dla części asortymentu narzędzi ogrodniczych (AC/DC) poprzez zarejestrowanie produktu na stronie internetowej [www.ryobitools.eu](http://www.ryobitools.eu). Kwalifikowalność narzędzi do wydłużenia okresu gwarancyjnego jest wyraźnie określona w sklepach i/lub na opakowaniu oraz w dokumentacji produktu. Użytkownik końcowy musi zarejestrować nowo kupione narzędzia online w ciągu 30 dni od daty zakupu. Użytkownik końcowy może zarejestrować się w celu przedłużenia gwarancji w swoim kraju zamieszkania, jeżeli jest on wymieniony w formularzu rejestracji online, gdzie opcja ta obowiązuje. Ponadto użytkownicy końcowi muszą wyrazić zgodę na przechowywanie danych, wprowadzanych na stronie internetowej i zaakceptować regulamin. Dowodem wydłużenia gwarancji jest wysłane pocztą elektroniczną potwierdzenie rejestracji i oryginał faktury potwierdzającej datę zakupu.
- Gwarancja obejmuje wszystkie wady produktu ujawnione w okresie gwarancyjnym wynikające usterek wykonania lub materiału obcych w dniu zakupu. Gwarancja jest ograniczona do naprawy i/lub wymiany i nie obejmuje żadnych innych zobowiązań, w tym między innymi odpowiedzialności za szkody przypadkowe lub wtórne. Gwarancja nie obowiązuje, jeżeli produkt był nieprawidłowo używany, używany niezgodnie z instrukcją lub nie był prawidłowo podłączony. Gwarancja nie obejmuje:
  - uszkodzenia produktu wynikającego z nieprawidłowej konserwacji,
  - produktu, który został zmieniony lub zmodyfikowany,
  - produktu, którego oryginalne oznaczenie (znak towarowy, numer seryjny) zostało zniszczone, zmienione lub usunięte,
  - jakiegokolwiek uszkodzeń wynikających z nieprzestrzegania instrukcji,
  - jakiegokolwiek produktu bez certyfikatu CE,
  - jakiegokolwiek produktu, który próbowano naprawić z pomocą niewykwalifikowanej osoby lub bez uzyskania wcześniejszej zgody firmy Techtronic Industries.
  - jakiegokolwiek produktu podłączonego nie nieprawidłowego źródła zasilania (nieprawidłowe napięcie prądu, napięcie, częstotliwość),
  - jakiegokolwiek produktu, który był używany z nieprawidłową mieszaną paliwową (paliwo, olej, procentowy udział oleju),
  - jakiegokolwiek uszkodzeń spowodowanych wpływem czynników zewnętrznych (chemicznych, fizycznych, drgań) lub substancji obcych,
  - normalnego zużycia części zamiennych,
  - nieprawidłowego użycia, przeciążenia narzędzia,
  - stosowania niezatwierdzonych akcesoriów lub części,
  - jakiegokolwiek okresowych regulacji lub czyszczenia gaźników w ramach konserwacji
  - elementów (części i akcesoriów) podlegających naturalnemu zużyciu, obejmujących, między innymi, kopułki do zwalniania żyłki, pasy napędowe, sprzęgło, ostrza przycinarek do żywoplotów lub kosiarek do trawy, uprzęż, przepustnicę linkową, szczotki węglowe, przewód zasilania, zęby, podkładki filcowe, kółki podnośnika, wentylatory dmuchawy, rury nadmuchowe i ssawne, worek na śmieci i paski, prowadnice, łańcuchy piły, węże, mocowanie złączy, dysze natryskowe, koła, przęty natryskowe, szpule wewnętrzne, szpule zewnętrzne, filtry gazu, ostrza do ściółkowania itp.
- W celu serwisowania produkt należy wysłać lub okazać w autoryzowanym punkcie serwisowym RYOBI znajdującym się na przedstawionym poniżej wykazie punktów serwisowych w poszczególnych krajach. W niektórych krajach lokalny dystrybutor produktów RYOBI podejmuje się wysyłki produktu do centrum serwisowego RYOBI. W przypadku wysyłki do punktu serwisowego RYOBI produkt — pozbawiony jakiegokolwiek niebezpiecznych substancji, na przykład benzyny — należy bezpiecznie zapakować i dołączyć adres nadawcy oraz krótki opis usterek.
- Naprawa/wymiana w ramach niniejszej gwarancji jest bezpłatna. Nie stanowi jednak o przedłużeniu lub rozpoczęciu od nowa biegu okresu gwarancyjnego. Wymienione części lub narzędzia stają się naszą własnością. W przypadku niektórych krajów nadawca będzie musiał uregulować koszty dostawy lub opłaty pocztowe. Prawa ustawowe wynikające z zakupu narzędzia pozostają niezmienione.
- Niniejsza gwarancja obowiązuje w Unii Europejskiej, Szwajcarii, Islandii, Norwegii, Liechtensteinie, Turcji i Rosji. Poza tymi obszarami należy skontaktować się z autoryzowanym dostawcą produktów RYOBI i ustalić, czy obowiązuje inna gwarancja.

### AUTORYZOWANY PUNKT SERWISOWY

Najbliższy autoryzowany punkt serwisowy można wyszukać w witrynie internetowej <http://uk.ryobitools.eu/header/service-and-support/service-agents>.

## CS ZÁRUČNÍ PODMÍNKY RYOBI®

Kromě zákonných práv vyplývajících z koupě výrobku se na tento výrobek vztahuje také níže uvedené záruka.

- Záruční doba pro spotřebitelé je 24 měsíců a začíná datem nákupu výrobku. Datum musí být zaznamenáno na faktúře nebo jiném dokladu o koupi. Tento výrobek je navržen a určen pouze pro soukromé účely spotřebitelů. Záruka se tedy nevztahuje na profesionální nebo komerční využití výrobku.
- U některých zahradních nástrojů (AC/DC) je možné záruční dobu prodloužit. K tomu je nutná registrace na stránkách [www.ryobitools.eu](http://www.ryobitools.eu). Možnost prodloužení záruční doby výrobků je jasně uvedena v prodejních popř. na obalech nebo v dokumentech o výrobku. Koncový uživatel musí svůj nový nástroj zaregistrovat online do 30 dnů od data nákupu. Koncový uživatel se může k prodloužení záruční doby zaregistrovat v zemi trvalého pobytu, pokud je tato uvedena na internetovém registračním formuláři u výrobku, kde je tato možnost dostupná. Koncoví uživatelé musí dále souhlasit s uložením osobních údajů, která musí zadat na internetu, a přijmout obchodní podmínky. E-mail s potvrzením registrace a původní faktura s datem koupě poslouží jako důkaz o prodloužené záruce.
- Záruka se vztahuje na veškeré vady na výrobku v rámci záruční doby způsobené výrobními vadami nebo vadami materiálu v době koupě. Záruka je omezena na opravu, popřípadě výměnu a nezahrnuje žádné další povinnosti, včetně mimo jiné vedlejších či následných oskoldnění. Záruka neplatí při použití výrobku k nevhodným účelům, v rozporu s uživatelskou příručkou nebo při nesprávném zapojení. Záruka se nevztahuje na:
  - veškeré škody na výrobku způsobené nesprávnou údržbou
  - veškeré produkty, které byly pozměněny nebo upraveny
  - veškeré produkty, kde byly původní identifikační prvky (obchodní značka, sériové číslo) poňeny, pozměněny nebo odstraněny
  - veškeré škody způsobené nedodržením pokynů uživatelské příručky
  - veškeré produkty bez CE certifikace
  - veškeré produkty, které se pokusil opravit nekvalifikovaný odborník nebo opravy bez předchozího svolení společnosti Techtronic Industries.
  - veškeré produkty zapojené do nesprávného elektrického zdroje (proud, napětí, frekvence)
  - veškeré produkty používané s nevhodnou palivovou směsí (paliwo, olej, procento oleje)
  - veškeré škody způsobené externími vlivy (chemickými, fyzickými, nárazy) nebo cizími látkami
  - běžné opotřebování dílů
  - nevhodné použití, přetěžování nástroje
  - použití neschválených příslušenství nebo dílů
  - veškeré prováděné seřizení nebo čištění v rámci údržby karburátorů
  - komponty (díly a příslušenství) podléhající opotřebení, včetně mimo jiné nárazových koleček, posuvných pásů, spojek, nožů plotových nůžek a sekaček na trávu, popruhu, plynového lanka, karbonových kartáčů, napájecího kabelu, zubů, plstěných podložek, závěsných kolků, větráků fukanu, trubic fukanu a vysavače, vaku a popruhu vysavače, vodících listů, plynových řetězů, hadic, konektorů, trysek, kol, stříkacích tyčí, vnitřních cívek, vnějších kotočů, řezných strun, zapalovacích svíček, vzduchových filtrů, plynových filtrů, mulčovačích nožů atd.
- K provedení servisu musí být výrobek zaslán nebo předán do autorizovaného servisního centra společnosti RYOBI, jejichž adresy jsou uvedeny podle zemi v seznamu servisních center. V některých zemích za vás výrobek pošle servisní organizaci RYOBI sám prodejce výrobků této značky. Při zaslání výrobku do servisního centra RYOBI je potřeba výrobek bezpečně zabalit bez nebezpečného obsahu jako benzín, opatřit adresou odesílatele a připojit krátký popis závady.
- Oprava, popř. výměna v rámci této záruky je zdarma. Neznamená to prodloužení nebo začátek nové záruční lhůty. Vyměnné díly nebo nástroje přejdou do našeho vlastnictví. V některých zemích platí poštovné odesílatele. Vše záruka práva vyplývající z koupě tohoto nástroje zůstávají nedotčena.
- Tato záruka platí v Evropském Společenství, Švýcarsku, Norsku, Lichtenštejnsku, Turecku, Rusku a na Islandu. Mimo tato země kontaktujte autorizovaného prodejce značky RYOBI, který zjistí, zda se na výrobek vztahuje jiná záruka.

### POVĚŘENÉ SERVISNÍ STŘEDISKO

Pro nalezení nejbližšího pověřeného servisního střediska navštivte <http://uk.ryobitools.eu/header/service-and-support/service-agents>.



## **HU** A RYOBI® GARANCIA ALKALMAZÁSÁNAK FELTÉTELEI

A vásárlásból adódó törvényben rögzített jogok mellett a termékre az alábbi garancia vonatkozik.

- A fogyasztói garancia tartama 24 hónap, mely a termék vásárlásának napjával kezdődik. Ezt a dátumot számlával vagy a vásárlást igazoló egyéb dokumentummal kell bizonyítani. A termék rendeltetésre csak fogyasztói és magáncélú használat. Ezért professzionális vagy kereskedelmi használat esetén a garancia nem érvényes.
- A kerti szerszámok (egyenáramú/váltóáramú) egy részénél a garancia időtartama a [www.ryobitools.eu](http://www.ryobitools.eu) webapon regisztrálva meghosszabbítható. Az árúhűtőben, a csomagolásban, illetve a termék dokumentációjában egyértelműen jelezzé van, hogy az adott termék garanciája meghosszabbítható-e. A végfelhasználónak a vásárlás dátumától számított 30 napon belül regisztrálnia kell az újonnan vásárolt szerszámot. A végfelhasználó akkor regisztrálhat a kiterjesztett garanciára, ha az ország, ahol lakik, fel van sorolva az online regisztrációs űrlapon azon országok között, ahol választható ez az opció. Ezenkívül a végfelhasználónak bele kell egyeznie az online regisztrálás során szükséges adatok tárolásába, és el kell fogadnia a felhasználási feltételeket. A kiterjesztett garanciát a regisztráció beérkezésétől e-maiban küldött visszaigazolás és a vásárlás dátumát tartalmazó eredeti számla igazolja.
- A garancia a termék vásárlásakor fennálló, a gyártás során keletkezett hibákra és anyaghibákra érvényes a garanciális időtartamon belül. A garancia csak a javításra/cserére korlátozódik, és nem terjed ki semmilyen egyéb kötelezettségre, nem kizárólagosan ideértve a véletlen vagy szándékos rongálást. A garancia nem érvényes, ha a terméket nem megfelelően, a használati utasításban foglaltakkal ellentétesen, illetve nem megfelelően csatlakoztatva használták. A garancia nem vonatkozik:
  - a terméket a nem megfelelő karbantartás következtében ért károsodásra
  - megváltoztatott vagy átalakított termékre
  - olyan termékre, melyen az eredeti azonosítókat (védjegy, sorozatszám) megrongálták, megváltoztatták vagy eltávolították
  - a használati utasítás be nem tartásából eredő kárra
  - CE jelöléssel nem rendelkező termékekre
  - olyan termékre, melyet nem képzett, illetve a Techtronic Industries által nem feljogosított szerelő javított
  - nem megfelelő (áramerősségű, feszültségű, frekvenciájú) áramforrásra csatlakoztatott termékre
  - nem megfelelő üzemanyag-keverékkel (üzemanyag, olaj, olaj aránya) használt termékre
  - külső (vegyi, fizikai, ütés) hatásokból vagy idegen anyagokból eredő károokra
  - a cserélhető alkatrészek természetes kopására és elhasználódására a szerszám helytelen használatára, túlterhelésére
  - nem jóváhagyott tartozékok és alkatrészek használatára
  - A karburátorok rendszeres beállítása, karbantartása, tisztítása
  - A természetes kopásnak és elhasználódásnak kitétt alkatrészek és kiegészítők, például (de nem kizárólag) damilidobok, ékszíjak, foglalatok, sövényvágók és fűnyírók kése, heveder, gázbowden, szénkefék, tápkábel, kultivátorfogak, filcalkáték, akasztószögek, fűvókészülékek ventilátora, fűvő- és szívócsövek, szívószák és pántok, terelőrudak, fűrészlánccok, tömlők, csatlakozószerevények, permetezőfejek, kerekek, permetezőszárak, belső dobok, külső csévkék, vágódamilok, gyújtógyertyák, légszűrők, gázsűrők, mulcsözőkékék stb.
- A terméket javításra el kell vinni egy meghatalmazott RYOBI szervizbe; ezeket az egyes országokhoz a következő listában találja. Egyes országokban a helyi RYOBI kereskedő vállalja a termék elszállítását a RYOBI szervizbe. A terméket veszélyes tartalom, például benzin nélkül csomagolva, a feladó címét feltüntetve, a hiba rövid leírásával együtt küldje el a RYOBI szervizbe.
- A jelen garancia hatálya alatt végzett javítás, illetve csere ingyenes. Nem jelenti a garanciális időtartam újraindulását. A kicserélt alkatrészek és szerszámok a mi tulajdonunkba kerülnek. Egyes országokban a szállítás vagy postázás költségét a feladó viseli. A vevőnek a szerszám megvásárlásából adódó törvényes jogai nem változnak.
- Jelen garancia az Európai Közösségben, Svájcban, Izlandon, Norvégiában, Liechtensteinben, Törökországban és Oroszországban érvényes. E területen kívül kérdezze meg a RYOBI forgalmazót, hogy milyen garancia van érvényben.

### HIVATALOS SZERVIZKÖZPONT

A legközelebbi hivatalos szervizközpont megtalálásához látogasson el a <http://uk.ryobitools.eu/header/service-and-support/service-agents>.

## **RO** CONDIȚII DE APLICARE A GARANȚIEI PENTRU PRODUSELE RYOBI®

În plus față de condițiile statutare rezultate din achiziționarea acestui produs, acesta este acoperit de garanția stipulată mai jos.

- Perioada de garanție este de 24 de luni pentru consumatori și începe de la data achiziționării produsului. Data de începere a garanției trebuie demonstrată cu o factură sau altă dovadă a cumpărării produsului. Produsul este destinat și conceput doar pentru utilizare în scopuri personale. Din acest motiv, nu se oferă garanție pentru utilizarea sa în scop profesional sau comercial.
- Există posibilitatea de extindere a perioadei de garanție pentru gama de unelte electrice pentru grădini (de CA/CC) peste perioada stipulată mai sus prin înscrierea produsului pe [website-ul www.ryobitools.eu](http://website-ul.ryobitools.eu). Eligibilitatea pentru perioada de extindere a garanției este afișată în mod clar în magazinete de vânzare și/sau pe ambalaj sau este inclusă în documentația livrată împreună cu produsul. Utilizatorul final este obligat să-și înregistreze produsul online în termen de maxim 30 de zile de la achiziția acestuia. Utilizatorul final poate înregistra produsul pentru garanția extinsă oferită în țara sa de rezidență dacă aceasta este listată în formularul de înregistrare online și dacă această opțiune este validă. În plus, utilizatorii finali trebuie să-și dea acordul pentru stocarea datelor personale solicitate la înregistrarea online și trebuie să accepte termenii și condițiile. Mesajul de confirmare a înregistrării, trimis prin e-mail și factura originală cu data achiziției vor dovedi perioada de garanție extinsă.
- Garanția acoperă toate defecțiunile produsului survenite în perioada de garanție datorate defectelor de execuție sau materialelor folosite. Începând cu data achiziției acestuia. Garanția este limitată la reparație și/sau înlocuire și nu include alte obligații, inclusiv, dar fără a se limita la daune accidentale sau rezultate pe cale de consecință. Garanția își pierde valabilitatea dacă produsul este utilizat neconform, utilizat neconform cu instrucțiunile de utilizare din manualul cu instrucțiuni sau conectat incorect. Garanția nu se aplică în cazuri:
  - oricărui defecțiuni survenite în urma înțreinerii neconspunzătoare a produsului
  - oricărui produs alterat sau modificat
  - oricărui produs la care inscripțiile cu datele de identificare (marca comercială, numărul de serie) au fost șterse, modificate sau îndepărtate
  - oricărui defecțiuni datorate neconformării cu instrucțiunile din manualul de utilizare
  - oricărui produs necertificat CE
  - oricărui produs asupra căruia au fost efectuate tentative de reparație de către personal necalificat sau fără autorizație prealabilă din partea Techtronic Industries.
  - oricărui produs conectat la o sursă de alimentare neconspunzătoare (curent, tensiune, frecvență)
  - oricărui produs utilizat cu un amestec de carburant neconspunzător (combustibil, ulei, proporții de adaos ulei)
  - oricărui defecțiuni datorate unor influențe externe (chimice, fizice, șocuri) sau substanțe străine
  - uzurii și fisurării normale a pieselor de rezervă
  - utilizării neadecvate, supraalimentării uneltei
  - utilizării de piese și accesorii neaprobate
  - Orice operații de curățare sau reglare periodică a carburatoarelor
  - Componentele (piese și accesorii) supuse uzurii și defecțiilor normale, care includ, fără a se limita la manșoane de protecție, curele de transmisie, ambreiaji, lamele de la tăietoarele de arbore sau gazon, harnașamente, cablu de accelerație, perii de cărbune, cordoan de alimentare, dinți, discuri de păslă, știfturi de siguranță, ventilatoare de suflantă, tuburi de aspirare sau suflare, sac de colectare resturi și banda de sușinere a acestuia, bare de ghidare, lanțuri de fierăstrău, furturni, accesorii de conectare, duze de pulverizare, volante, bagnet de pulverizare, moșoare interne, carcase exterioare pentru moșoare, fire tăietoare, bujii, filtre de aer, filtre de gaz, lame de toacător, etc.
- Pentru efectuarea reparațiilor, produsul trebuie trimis sau adus la un centru de reparații autorizat RYOBI din lista următoare de centre de reparații prezentate pentru fiecare țară. În anumite țări, reprezentatul local RYOBI va trimite produsul spre reparație la sediul central de reparații RYOBI. Atunci când trimiteți produsul spre reparație la un centru de reparații RYOBI, acesta trebuie ambalat în siguranță, fără conținut periculos (cum ar fi benzina), marcat cu adresa expeditorului și însoțit de o scurtă descriere a defectului.
- Repararea/înlocuirea în perioada de garanție este gratuită. Aceasta nu este însoțită de o prelungire sau o reințiere a perioadei de garanție. Piesele sau uneltele schimbate devin proprietatea dvs. În anumite țări, taxele de expediție sau poștale vor fi suportate de expeditor. Drepturile dvs. statutare rezultate din achiziția produsului rămân neschimbate.
- Această garanție este valabilă în Comunitatea Europeană, Elveția, Islanda, Norvegia, Liechtenstein, Turcia și Rusia. În afara acestor zone, vă rugăm să contactați reprezentantul dvs. local RYOBI pentru a determina dacă se aplică alt tip de garanție.

### CENTRU DE SERVICE AUTORIZAT

Pentru a găsi un centru de service autorizat vălădă dvs., vizitați <http://uk.ryobitools.eu/header/service-and-support/service-agents>.

## LV RYOBI® GARANTĪJAS PIEMĒROŠANAS NOSACĪJUMI

Papildus jebkādam likumiskajām tiesībām, kuras rodas, veicot pirkumu, izstrādājums tiek nodrošināts ar tālāk tekstā noteikto garantiju.

1. Garantijas periods patērētājiem ir 24 mēneši, tā ietver tieši sākta no datuma, kurā veikta izstrādājuma iegāde. Šim datumam jābūt dokumentētā rēķinā vai citā pirkuma apliecināšā dokumentā. Izstrādājums ir radīts un paredzēts tikai patērētāja privātai lietošanai. Saistībā ar iepriekšminēto, garantija netiek nodrošināta profesionālas vai komerciālas lietošanas gadījumā.
2. Pastāv iespēja pagarināt daļas no dārzeņu instrumentu klāsta (Mainstrāvas/akumulātoru) garantiju ilgāk par iepriekš minēto periodu, izmantojot reģistrāciju interneta vietnē www.ryobitools.eu. Instrumenti, kas pakļauti garantijas perioda pagarināšanai, tiek skaidri apzīmēti veikalos un/vai uz iepakojuma un izstrādājumu komplektējošajā dokumentācijā. Gala lietotājam nepieciešams reģistrēt tālruni jauno instrumentu 30 dienu laikā no pirkuma datuma. Gala lietotājs var reģistrēties pagarinātajai garantijai savā mītnes valstī, ja tā minēta tiešsaistes reģistrācijas veidlapā, kurā šī iespēja ir aktīva. Bez tam, gala lietotājam ir jānodrošina piekļūšana tiešsaistes ievadīšanai nepieciešamo datu glabāšanai un jāpiekrīt noteikumiem un nosacījumiem. Reģistrācijas apstiprinājums, kas tiek nosūtīts, izmantojot e-pastu, un rēķina oriģināls, kurā norādīts iegādes datums, kalpo kā pagarinātās garantijas apstiprinājums.
3. Garantija attiecas uz visiem izstrādājumu defektiem garantijas periodā, kas saistīti ar ražošanas vai materiālu defektiem no pirkuma datuma. Šī garantija tiek ierobežota ar remontu un/vai nomainu un neietver jebkādas citas saistības, tajā skaitā, bet ne tikai, cēloņsakarīgas vai saistītas bojājumus. Garantija nav spēkā, ja izstrādājums ir nepareizi lietots, izmantots pretēji norādēm lietošanas rokasgrāmatā vai bijis nepareizi pieslēgts. Šī garantija netiek attiecināta uz:
  - jebkādiem izstrādājuma bojājumiem, kas radušies nepareizas uzturēšanas rezultātā
  - jebkuru izstrādājumu, kas ticijs pārveidots vai mainīts
  - jebkuru izstrādājumu, kura oriģinālais identifikācijas (preču zīme, sērijas numurs) marķējums ir ticis nodzēsts, mainīts vai noņemts
  - jebkādiem bojājumiem, kuri radušies neievērojot norādes lietošanas rokasgrāmatā
  - jebkādam izstrādājumam bez CE sertifikācijas
  - jebkuram izstrādājumam, kura remontu mēģinājis veikt nekvalificēts personāls vai bez Technicon Industries iepriekšējas autorizācijas.
  - jebkuram izstrādājumam, kurš bijis pieslēgts neaizsargātu parametru (strāvas, sprieguma, frekvences) sprieguma avotam
  - jebkuram izstrādājumam, kurš bijis izmantots ar nepareizu degvielas maisījumu (degviela, eļļa, eļļas koncentrālais saturs)
  - jebkuriem bojājumiem, kuri radušies ārējās iedarības (ķīmiskas, fiziskas, triecieni) vai vielu ietekmē
  - detaļu normāla lietošanas nodiluma rezultātā
  - nepareizas lietošanas vai instrumentu pārslodzes rezultātā
  - neapstiprinātu detaļu vai aprīkojuma lietošanas rezultātā
  - jebkādas periodiskus karburatoru regulēšanas darbus vai apkopes tīrīšanu
  - Komponentus (daļas un aksesuārus), kas pakļauti dabīgam nodilumam, ieskaitot, bet neaprobežojoties ar atslēdzes pogām, piedziņas siksnām, sāļojiem, krūmi šķēru un plaužmašīnu asmeņiem, uzkabēm, droseļu trosītēm, oglekļa sukām, elektrības vadiem, tapām, filca paplākšņiem, sakabes tapām, pūtēja ventilatoriem, pūtēja un sūkšanas caurulēm, savākšanas maisiem un siksnām, vadotni plankām, zāģu ķēdēm, šļūtenēm, savienojumu uzgaļiem, izsmidzinātāja uzgaļiem, riteniem, izsmidzinātāja caurulēm, iekšējām spoļēm, ārējām spoļēm, plaušanas auklām, aizdedzes svečām, gaisa filtriem, degvielas filtriem, mulčēšanas asmeņiem, utt.
4. Servisa nodrošināšanai, izstrādājums ir jānodod pilnvarotā RYOBI servisa centram, kas norādīts katrai valstij tālāk minētajā servisa centru adresu sarakstā. Dažās valstīs jūsū vietējās RYOBI izplatītājs uzņemas izstrādājuma nosūtīšanu uz RYOBI servisa organizāciju. Nosūtīt izstrādājumu uz RYOBI servisa centru, izstrādājuma jābūt droši iepakotam, tas nedrīkst saturēt bīstamas vielas kā degvielu, sūtiņumam jābūt marķētam ar sūtiņtāja adresi un tsu ķlmes aprakstu.
5. Remonts/nomaina šīs garantijas ietvaros ir bezmaksas. Tas nerada garantijas perioda pagarināšanu vai jaunu garantiju. Nomainītās daļas vai instrumentu kļūst par mūsu īpašumu. Dažās valstīs piegādes vai pasta izmaksas būs jāpmaksā sūtiņtājam. Jūsu likumiskās tiesības, kas nodibinās, iegādājoties instrumentu, paliek nemainīgas
6. Šī garantija ir spēkā Eiropas Kopienā, Šveicē, Islandē, Norvēģijā, Līhtenšteinā, Turcijā un Krievijā, Arpus šīm teritorijām, lūdzu, sazinieties ar jūsu pilnvaroto RYOBI izplatītāju, lai noteiktu, vai ir piemērojama cita garantija.

### AUTORIZĒTS APKALPOŠANAS CENTRS

Lai atrastu tuvāko autorizēto apkalošanas centru, apmeklējiet <http://uk.ryobitools.eu/header/service-and-support/service-agents>.

## LT „RYOBI® GARANTIJOS TAIKYMO SĄLYGOS

Papildant bet kokias įstatymuose numatytas perkant atsiřandančias teises, šiam įrenginiui taikoma toliau nurodyta garantija.

1. Vartojams suteikiama 24 mėnesių trukmės garantija nuo įrenginio įsigijimo datos. Ši data turi būti nurodyta sąskaitoje faktūroje ar kitame pirkimą įrodančiame dokumente. Šis įrenginys skirtas tik vartotojų rinkai ir asmeniniam naudojimui. Todėl garantija netaikoma, jei įrenginys naudojamas profesinėms ar komercinėms reikmėms.
2. Įsigijus tam tikrus sodo įrenginius (AC/DC), suteikiama galimybė prašyti garantiją, kad ji galiuot ilgiau, nei nurodyta pirmiau, naudojantis registracija interneto svetainėje [www.ryobitools.eu](http://www.ryobitools.eu). Ar galima prašyti įrenginio garantiją laikotarpiu, aiškiai nurodoma parduotuvėse ir (arba) ant įrenginio pakuočės, ir (arba) įrenginio dokumentuose. Galutinis naudotojas turi užregistruoti savo naujai įsigytą įrenginį per 30 dienų nuo įsigijimo datos. Galutinis naudotojas gali registruotis išplėstinėi garantijai savo gyvenamojoje šalyje, jei ji nurodyta internetinėje registracijos formoje, kurioje siūloma tokia galimybė. Be to, galutiniai naudotojai turi sutikti su duomenų, kuriuos reikia įvesti internetu, saugojimu ir svetainės naudojimo sąlygomis. Kaip išplėstinės garantijos įrodymas naudojamas registracijos patvirtinimo kvitas, atsiunčiamas eil. paštu, ir originali sąskaita faktūra, kurioje nurodyta įsigijimo data.
3. Ši garantija apima visą garantinio laikotarpio aptiktus įrenginio trūkumus, atsiradusius dėl gamybos arba medžiaginių defektų nuo įsigijimo datos. Ši garantija ribojama remonto ir (arba) pakeitimu, ji neapima jokių kitų įsipareigojimų, įskaitant (bet tuo neapsiribojant) šalutinius arba antrinius nuostolius. Garantija anuliuojama, jei įrenginys buvo naudojamas netinkamai, naudojamas ne pagal naudojimo instrukciją arba netinkamai prijungtas. Ši garantija netaikoma:
  - jokiai įrenginiui padarytai žalai, kurią lemė netinkama techninė priežiūra,
  - jokiai įrenginiui, kuris buvo keičiamas ar modifikuojamas;
  - jokiai įrenginiui, kurio originalūs identifikavimo ženklai (prekės ženklas, serijos numeris) buvo sugadinti, pakeisti arba pašalinti;
  - jokiai žalai, kurią lemė naudojimo instrukcijos nesilaikymas;
  - jokiems CE ženklui nepažymėtiems įrenginiams;
  - jokiai įrenginiui, kurį bandė remontuoti nekvalifikuoti asmenys arba kuris buvo remontuojamas be „Technicon Industries“ leidimo;
  - jokiai įrenginiui, kuris buvo prijungtas prie netinkamo maitinimo tinklo (netinkamos srovės, įtampos, dažnio);
  - jokiai įrenginiui, kuris buvo naudojamas su netinkamu degalų mišiniu (degalai, alyva, maišymo santykis);
  - jokiai žalai, kurią lemė išorinis poveikis (cheminis, fizinis, smūgiai) arba pašalinės medžiagos;
  - dėvimosioms dalims;
  - netinkamam naudojimui / keičimas perkrovai;
  - nepavirtintų priedų arba dalių naudojimui;
  - Jokiai reguliariam karburatorių reguliavimui arba priežiūros ir valymo darbams
  - Komponentams (dalims ir priedams), kurie natūraliai dėvisi, įskaitant (bet tuo neapsiribojant) spyruoklines galvutes, pavatų diržus, sankabą, gyvatvorių genėtuvų ar žoliapjovių geležtes, diržus, trosinį drošelį, anglinius šepetėlius, matinimo kabelį, virbus, fetro poveržes, prikabinamo kaitšūos, pūstuvo ventilatorių, pūstuvo ir siurblio vamzdžius, siurblio mišinį ir diržus, kreipiamuosius strypus, pjūklų grandines, žameles, jungiamąsias detales, purškimo antgalius, ratus, purškimo liestuokus, vidines rites, išorines rites, pjovimo vielą, uždegimo žvakės, oro filtrus, dujų filtrus, mulčiamas geležtes ir pan.
4. Prireikus atlikti priežiūros darbus, įrenginį reikia siųsti arba atvežti RYOBI įgaliotajam priežiūros centrui, nurodytam kiekvienos šalies priežiūros centrų adresų sąrašė. Kai kuriose šalyse vietinis RYOBI atstovas siunčia įrenginį RYOBI priežiūros organizacijai. Siunčiant įrenginį RYOBI priežiūros centrui, reikia saugiai jį supakuoti pašalinant visas pavojingas medžiagas, pvz., benzina, nurodant ant pakuočės siuntėjo adresą ir pridėti trumpa gedimo aprašymą.
5. Pagal šią garantiją remonto / keičimas atliekami nemokamai. Tokie veiksmai netaikomi garantijos prašėjimu arba naujo garantinio laikotarpio pradžia. Dalys arba įrenginiai, kuriuos pakeitėme, tampa mūsų nuosavybe. Kai kuriose šalyse pristatymo ir pašto išlaidas turi padengti siuntėjas. Įstatymuose numatytos jūsų teisės, atsiřandančios perkant įrenginį, lieka nepakeistos
6. Ši garantija galioja Europos bendrijoje, Šveicarijoje, Islandijoje, Norvegijoje, Lichtenšteine, Turkiijoje ir Rusijoje. Jei gyvenate ne šiose šalyse, kreipkitės į įgaliotąjį RYOBI atstovą ir sužinokite, ar jums taikoma kita garantija.

### ĮGALIOTAS TECHINIS PRIEŽIŪROS CENTRAS

Jei norite surasti įgaliotą techninės priežiūros centrą netoli Jūsų, apsilankykite interneto svetainėje <http://uk.ryobitools.eu/header/service-and-support/service-agents>.



## ET RYOBI® GARANTIIINGIMUSED

Lisaks toote ostust tulenevatele seadusjärgsetele õigustele, kehtib tootele ka alltoodud garantiaga.

- Tarbijatele on garantiiae 24 kuud ja algab sellel kuupäeval, mil toode osteti. Selle kuupäeva tähtsuseks on välja arvet või mõnda teist tõendit ostu sooritamise kohta. Toode on mõeldud eratarbijatele ainult isiklikuks kasutamiseks. Seega ei kehti garantiid ostu kasutamisel kütsetegevuses või kaubanduslikel eesmärkidel.
- Teatud osale (vahelduvvoolu/alisvoolu) aiatööriistadele on võimalik pikendada eespool toodud garantiiaega, kasutades toote registreerimist veebilehel [www.ryobitools.eu](http://www.ryobitools.eu). Teave tööriista võimaliku pikendatud garantiiaja kohta on selgelt esile toodud poodides ja/või pakendis / ning see sisaldub toote dokumentatsioonis. Lõpptarbijaja peab registreerima oma uued tööriistad interneti teel 30 päeva jooksul pärast ostopäeva. Lõppkasutaja võib registreerida pikendatud garantiiaja saamise oma elukohariigis, kui veebis olevas registreerimisvormis on see valik lubatud. Lisaks peavad kasutajad andma oma nõusoleku veebis nõutud sisestatavate andmete säilitamiseks ning nad peavad nõustuma tingimustega. E-posti teel saadetak registreerimise kinnitus ja arve originaal, kus on näha ostu sooritamise kuupäev, on pikendatud garantiiaja tähtsuseks.
- Garantii katab kõik defektid toote garantiiaja jooksul, kui ostu kuupäeval ilmuvad talitlus- või materjalivaad. Garantii piirub toote remondi ja/või väljavahetamisega ning ei sisalda muid kohustusi, muu hulgas ettenägematuid või kaudseid kahjusid. Garantii ei kehti, kui toodet ei ole kasutatud sihtotstarbeliselt või kooskõlas kasutusjuhendiga või see on valesti ühendatud. Garantii ei kehti järgmistel põhjustel:
  - toode on kahjustatud vale hoolduse tõttu
  - toodet on muudetud
  - toote algupärase identifitseerimisnumbriga (kaubamärk, seerianumber) on rikutud, muudetud või eemaldatud
  - kahju on tekkinud kasutusjuhendi mittetäpsest järgimisest
  - tootel puudub CE-märgis
  - toodet on püüdnud remondida vastavalt kvalifikatsiooni mitte omav isik või ilma firma Technronic Industries eelneva loata.
  - toode on ühendatud valeste toiteallikasse (voolutugevus, pinge, sagedus)
  - tootega kasutati sobimatut kütusesegu (kütus, õli, õli protsent)
  - välismõjude (keemilised, füüsilised, elektrilöögid) või võõrkehade tekitatud kahju
  - tavapärase kulumine ja katkised varuosad
  - ebaõige kasutamine, tööriista ülekoormamine
  - heaakkiimatata tarvikute või osade kasutamine
  - Karbuaraatorite korralised reguleerimistööd või hooldus- ja puhastustööd
  - Komponendid (osad ja tarvikud), mida iseloomustab kulumine ja vananemine, muu hulgas puutenupud, kiilrihmad, sidur, heklõikurite või muruniidukite lõiketerad, rakmed, gaasitross, süsinikharjad, tõiitehju, freesiterad, vilidist seibid, tihvid, õhuventilaatorid, puhuri- ja imuritruud, kogumiskott ja rihmad, juhkud, saeketid, voolikud, liitmikud, pihusti otsakud, rattad, pritsi varred, sisemised poolid, välismised poolid, jõhvind, süüteküünlad, õhufiltrid, gaasifiltrid, multšimisterad jne.
- Hoolduseks peab toote saatma või viima RYOBI volitatud teenindusse, mille aadressi leiata järgnevast teeninduspunkti nimekirjast vastava riigi alt. Mõnedes riikides võtab kohalik RYOBI edasimüüja enda kanda kohustuse saata toode RYOBI teenindusorganisatsiooni. Toote saatmisel RYOBI teenindusse peab toode olema ohutult pakitud ja ei tohi sisaldada ohtlike aineid (nt bensiini), kirjas peab olema saatja aadress ja lisatud vea lühikirjeldus.
- Garantii alusel tehtavad remonditööd / asendamine on tasuta. See ei pikenda garantiid osadelt kehtivast ega tähistava ühe garantiiaja algust. Väljavahetatud osad või tööriista kuuluvad meile. Mõnedes riikides maksab tähtsusetamata- ja postikulud saatja. Telle jäävad kehtima tööriista ostust tulenevad seadusjärgsed õigused
- See garantii kehtib Euroopa Ühenduse territooriumil, Šveitsis, Islandil, Norras, Liechtensteinis, Türgis ja Venemaal. Väljaposit neid piirkondi võeti ühendatud toodet RYOBI edasimüüjaga, et teha kindlaks kas kehtib mõni teine garantii.

### VOLITATUD HOOLDUSKESKUS

Oma volitatud hoolduskeskuse leiate veebisaidilt <http://uk.ryobitools.eu/header/service-and-support/service-agents>.

## HR UVJETI PRIMJENE JAMSTVA TVRTKE RYOBI®

Osim svim zakonskim pravima koja proizlaze iz kupnje, ovaj je proizvod pokriven jamstvom kako je navedeno u nastavku.

- Jamstveno razdoblje za potrošače traje 24 mjeseca i počinje sa datumom na koji je proizvod kupljen. Taj datum mora se dokumentirati računom ili drugim dokazom o kupnji. Proizvod je konstruiran i namijenjen samo za privatnu upotrebu korisnika. Stoga se jamstvo ne daje u slučaju profesionalne ili komercijalne uporabe.
- Postoji mogućnost da se za dio asortimana vrtnih alata pokretanih izmjeničnom strujom (AC/DC) proizvodi gore navedeno jamstveno razdoblje putem registriranja na mrežnom mjestu [www.ryobitools.eu](http://www.ryobitools.eu). Uvjeti koje je potrebno zadovoljiti kako bi se produžilo jamstveno razdoblje jasno su istaknuti u prodavaonici a / i / ili na pakiranju / i nalaze se unutar dokumentacije proizvoda. Krajnji korisnik mora registrirati svoje novo kupljene alate na mreži u roku od 30 dana od datuma kupnje. Krajnji korisnik može se registrirati za produženo jamstvo u svojoj zemlji boravišta ako se nalazi na popisu u mrežnom obrascu za registraciju gdje je ta opcija važeća. Nadalje, krajnji korisnici moraju dati svoj pristanak na pohranu podataka koji su potrebni za mrežni ulazak i moraju primitivati odredbe i uvjete. Potvrda o prijemu registracije, koja se šalje putem e-pošte, kao i originalni račun s vidljivim datumom kupnje poslužiti će kao dokaz produženog jamstva.
- Jamstvo pokriva sve nedostatke tijekom mjesecima jamstvenog razdoblja koji su nastali zbog neispravnosti prilikom izrade ili materijala s datumom kupnje. Jamstvo je ograničeno na popravak i/ili zamjenu i ne obuhvaća nikakve druge obveze, uključujući, ali ne ograničavajući se na slučajne ili poslijedične štete. Jamstvo ne vrijedi ako je proizvod bio zlorabljeno, korišten u suprotnosti s priručnikom s uputama ili ako je pogrešno spojen. Ovo jamstvo ne primjenjuje se na:
  - svako oštećenje proizvoda koje je rezultat nepravilnog održavanja
  - svaki proizvod koji je izmijenjen ili modificiran
  - svaki proizvod gdje su originalne identifikacijske oznake (zaštitni znak, serijski broj) izbrisane, zamijenjene ili uklonjene
  - svako oštećenje uzrokovano neprikladnim korištenjem priručnika
  - svaki proizvod koji nije CE
  - svaki proizvod koji je pokušao popraviti nekvalificirani profesionalac ili bez prethodnog odobrenja od strane Technronic Industries
  - svaki proizvod priključen na nepravilno napajanje energijom (amperi, napon, frekvencija)
  - Svaki proizvod korišten s neodgovarajućom mješavinom (gorivo, ulje, postotak ulja)
  - svako oštećenje uzrokovano vanjskim utjecajima (kemijsko, fiziko, udar) ili stranim stvarima
  - normalno trošenje i habanje rezervnih dijelova
  - nepravilno korištenje, preopterećenje alata
  - korištenje neodobrenog dodatnog pribora ili dijelova
  - rasplinjača nakon 6 mjeseci, podešavanje rasplinjača nakon 6 mjeseci
  - komponente (dijelovi i dodatni pribor) koji su predmet prirodnog trošenja i habanja, uključujući no ne ograničavajući se na gumbce za otpuštanje, pogonske remene, spojku, oštrice trimera za grmlje ili kosilicu, kope, saje gaza, ugljene četke, kabele za napajanje, noževe, podložke, ztike za zglobnu vezu, ventilatore pihalica, cijevi za ispuhivanje i usisavanje, vakuumske vrećice i trake, vodilice, lance pile, crijeva, priključene elemente, mlaznice za raspršivanje, koteče, koplja za raspršivanje, unutarnje kolute, vanjske kalemne, flaksove, svjećice, filtre za zrak, filtre za plin, oštrice za usitnjavanje itd.
- Za potrebe servisiranja, proizvod se mora poslati ili odnijeti u ovlaštenu servisnu postaju tvrtke RYOBI navedenu na sljedećem popisu s adresama servisnih postaja u svakoj zemlji. U nekim zemljama, vaš lokalni RYOBI zastupnik obavezuje se da će poslati proizvod u servisnu organizaciju tvrtke RYOBI. Kada se proizvod šalje u neku servisnu postaju tvrtke RYOBI, proizvod se mora sigurno pakirati bez ijednog od opasnih sadržaja kao što je benzin, na njemu mora pisati adresa pošiljatelja i mora biti popraćen kratkim opisom kvara.
- Popravak / zamjena pod ovim jamstvom su besplatni. Oni ne predstavljaju produženje ili novi početak jamstvenog razdoblja. Zamijenjeni dijelovi ili alati postaju naše vlasništvo. U nekim državama troškove isporuke ili poštarinu mora platiti pošiljatelj. Vaša zakonska prava koja proizlaze iz kupnje alata ostaju nepromijenjena
- Ovo jamstvo vrijedi u Europskoj uniji, Švicarskoj, Islandu, Norveškoj, Lihtenštajnu, Turskoj i Rusiji. Izvan tih područja vas molimo da se obratite svojem ovlaštenom zastupniku tvrtke RYOBI kako biste utvrdili primjenjuje li se drugo jamstvo.

### OVLAŠTENI SERVISNI CENTAR

Za pronalazjenje ovlaštenog servisnog centra pored vas posjetite <http://uk.ryobitools.eu/header/service-and-support/service-agents>.



## SL POGOJI ZA VELJAVNOST GARANCIJE RYOBI®

Poleg morebitnih zakonsko določenih pravic, ki izvirajo iz nakupa, za ta izdelek velja spodaj navedena garancija.

- Garancijsko obdobje je za potrošnike 24 mesecev in začne teči z dnem nakupa izdelka. Ta datum mora biti dokumentiran z računom ali drugim dokazilom o nakupu. Izdelek je zasnovan in namenjen izključno za potrošniško zasebno uporabo. V primeru strokovne oziroma komercialne uporabe izdelka garancija ne velja.
- Obstaja možnost podaljšanja garancije na del naše ponudbe vrtnih orodij (AC/DC) prek obdobja garancije, opisaneга zgoraj, s pomočjo registracije na spletnem mestu [www.ryobitools.eu](http://www.ryobitools.eu). Ustreznost orodij za podaljšanje garancijskega obdobja je jasno prikazana v trgovinah in/ali na embalaži oziroma je navedena v dokumentaciji izdelka. Končni uporabnik mora registrirati svoje novo orodje na spletu v 30 dneh po datumu nakupa. Končni uporabnik lahko registrira podaljšano garancijo v svoji državi bivanja, če je na obrazcu spletne registracije navedeno, da ta možnost velja za njegovo državo. Poleg tega morajo končni uporabniki podati svoje soglasje za shranjevanje podatkov, ki so potrebni za spletni dostop in morajo sprejeti pogoje in določila uporabe spletnega mesta. Potrdilo o registraciji, ki ga pošljemo prek e-pošte, in originalni račun, ki prikazuje datum nakupa, služita kot dokazilo o podaljšani garanciji.
- Garancija krije vse okvare izdelka, do katerih pride v garancijskem obdobju zaradi napak v izdelavi ali materialu, ki so bile prisotne ob datumu nakupa. Garancija je omejena na popravilo in/ali zamenjavo in ne vključuje nobenih drugih obveznosti, med drugim vključno z naključno ali posledično škodo. Garancija ne velja, če je bil izdelek napačno uporabljen, uporabljen v nasprotju z navodili iz priročnika za uporabo ali če ni bil pravilno povezan. Ta garancija ne velja za:
  - škodo na izdelku, ki je posledica neustreznega vzdrževanja
  - spremenjen ali prilagojen izdelek
  - izdelek, katerega originalna identifikacijska oznaka (blagovna znamka, serijska številka) je bil poškodovan, spremenjena ali odstranjena
  - škodo, ki je posledica neupoštevanja navodil iz priročnika za uporabo
  - izdelek, ki nima oznake CE
  - izdelek, ki ga je poskušal opraviti nequalificiran strokovnjak ali ki je bil popravljen brez predhodne odobritve s strani družbe Techtronic Industries.
  - izdelek, ki je bil povezan na neustrezno napajanje (amperska moč, napetost, frekvenca)
  - izdelek, ki je bil uporabljen z neustrezno mešanico goriva (gorivo, olje, odstotek olja)
  - škodo, ki jo povzročijo zunanji vplivi (kemični, fizični, mehanski) ali tuje snovi
  - rezervne dele, ki so podvrženi običajni uporabi
  - neprimerno uporabo, preobremenitev orodja
  - uporabo neodobrenih dodatkov ali delov
  - Vsako redno prilagajanje ali vzdrževalno čiščenje uplinjačev
  - Komponente (sestavni in rezervni deli), ki so podvrženi običajni obrabi, med drugim vključno z gumbi odbijača, pogonskimi jermeni, sklopko, rezil obrezovalnikov za žive meje ali kosilnic za trato, nosilnimi pasovi, kablji, dušilnimi ventili, oglikovimi krtačami, napajalnimi kablji, zobci, tesnili iz filca, vezniimi zatčiti, ventilatorji pihalnika, cevni pihalnika in sesalnika, vrečko in pasovi sesalnika, vodilnimi palicami, verigami motorne žage, cevni, priključki, razpršilnimi šobami, kolesi, razpršilnimi palicami, notranjimi kolesci, zunanjimi motki, rezalnimi vrvmicami, vžigalnimi svečkami, zračnimi filtri, plinskimi filtri, rezili za mulčenje itd.
- Za servisiranje morate izdelek poslati ali prinesiti v pooblaščen servisni center družbe RYOBI, ki je naveden za vsako državo na naslednjem seznamu naslovov servisnih centrov. V nekaterih državah se vaš lokalni posrednik družbe RYOBI obveže, da bo poslal izdelek na servis družbe RYOBI. Ko pošiljate izdelek v servisni center družbe RYOBI, mora biti izdelek varno zapakiran in ne sme vsebovati nobenih nevarnih snovi, kot je npr. bencin, opremljen pa mora biti z naslovom pošiljatelja in vsebovati kratek opis napake.
- Popravilo/zamenjava v skladu s to garancijo sta brezplačni storitvi. To pa ne predstavlja podaljšanja ali ponovnega začetka garancijskega obdobja. Zamenjani deli ali orodja postanejo naša last. V nekaterih državah stroške dostave ali poštnino plača pošiljatelj. Vaše zakonsko določene pravice, ki izvirajo iz nakupa orodja, ostajajo nespremenjene.
- Ta garancija velja v Evropski skupnosti, Švici, Islandiji, na Norveškem, v Lichtenštajnu, v Turčiji in Rusiji. Izven teh območij se obrnite na svojega pooblaščenega posrednika izdelkov RYOBI, dealer ki vam bo povedal, ali velja kakšna druga garancija.

### POOBLAŠČEN SERVISNI CENTER

Pooblaščen servisni center blizu vas poiščite na <http://uk.ryobitools.eu/header/service-and-support/service-agents>.

## SK ZÁRUČNÉ PODMIENKY RYOBI®

Na tento výrobok sa okrem všetkých zákonných práv, vyplývajúcich z nákupu, vzťahuje záruka v nasledovnom znení.

- Záručná doba pre spotrebiteľa je 24 mesiacov a začína plynúť odo dňa, kedy bol výrobok zakúpený. Tento dátum musí byť doložený faktúrou alebo iným dokladom o zakúpení. Výrobok je navrhnutý a určený pre spotrebiteľov a len na súkromné používanie. Preto sa záruka sa neposkytuje v prípade použitia na profesionálne a komerčné účely.
- V prípade záhradného náradia (na striedavý/jednosmerný prúd AC/DC), existuje možnosť predĺženia záručnej doby oproti záručnej dobe, uvedenej vyššie, s využitím on-line registrácie na webovej stránke [www.ryobitools.eu](http://www.ryobitools.eu). Označenie na náradí o nároku na predĺženie záručnej doby je zreteľne uvedené v obchodoch a/alebo na obale a je uvedené v dokumentácii k výrobku. Koncový používateľ musí zaregistrovať svoje novozískané náradie on-line do 30 dní odo dňa nákupu. Koncový používateľ sa môže zaregistrovať na predĺženú záruku v krajine svojho bydliska, ak je v on-line registračnom formulári uvedená táto možnosť. Ďalej musia koncoví používatelia ešte dať svoj súhlas k uchovávaní údajov, ktoré je potrebné zadať on-line a musia súhlasiť s podmienkami. Potvrdenie o prijatí registrácie, ktoré jz zasielané e-mailom a originál faktúry, v ktorej je uvedený dátum nákupu, slúžia ako dôkaz o predĺženej záruke.
- Záruka sa vzťahuje na všetky poruchy výrobku v záručnej dobe, spôsobené chybami materiálú alebo spracovaním k dátumu nákupu. Táto záruka je obmedzená na opravu a/alebo výmenu a nezahŕňa ďalšie povinnosti, vrátane, okrem iných, náhodné alebo následné škody. Táto záruka je neplatná, ak bol výrobok nesprávne používaný, bol používaný v rozpore s návodom na použitie alebo bol nesprávne zapojený. Táto záruka sa nevzťahuje na:
  - akékoľvek poškodenie výrobku, ktoré bolo spôsobené nesprávnou obsluhou
  - akýkoľvek výrobok, ktorý bol zmenený alebo upravený
  - akýkoľvek výrobok, na ktorom bolo poškodené, upravené alebo odstránené identifikačné označenie (ochranná známka, výrobné číslo)
  - akékoľvek škody, spôsobené neodporúčaným návodom na obsluhu
  - akýkoľvek výrobok, ktorý neobsahuje označenie CE
  - akýkoľvek výrobok, ktorý sa pokúšal opraviť nequalifikovaný odborník alebo bol opravovaný bez predchádzajúceho súhlasu so strany spoločnosti Techtronic Industries.
  - akýkoľvek výrobok, pripojený k nesprávnemu napájacíemu zdroju (ampéry, napätie, frekvencia)
  - akýkoľvek výrobok, používaný s nesprávnou palivovou zmesou (palivo, olej, percento oleja)
  - akékoľvek poškodenia, spôsobené vonkajšími vplyvmi (chemickými, fyzikálnymi, nárazmi) alebo cudzorodými látkami
  - bežné opotrebovanie náhradných dielov
  - nehodné použitie, preťažovanie nástroja
  - používanie neschváleného príslušenstva a dielov
  - Akékoľvek pravidelné úpravy alebo čistenie karburátorov, vykonávaných vrámci údržby
  - Súčiastky (diely a príslušenstvo), ktoré podliehajú prirodzenému opotrebeniu, okrem iných, otočné gombíky, hnacie remene, spojka, nože na nožnice na živý plot alebo kosačku na trávu, popruhy, lanká škrtacej klapky, uhlíky, napájací kábel, radičky, pístene podložky, závesné kľince, lopatky fúkačov, trubic vysávača a fúkača, vak do vysávača a popruhy, vodiace lišty, retazové pily, hadice, spojovacie armatúry, trysky, kolesá, striekacie ričky, vnútorné čievky, vonkajšie čievky, žacie lanká, zapalovacie sviečky, vzduchové filtre, benzínové filtre, mulčovače nože atď.
- Na opravu musí byť výrobok odoslaný alebo doručený do autorizovaného servisného strediska RYOBI, uvedeného pre každú krajinu v nasledovnom zozname adries servisných stredísk. V niektorých krajinách miestny zástupca RYOBI preberá na seba záväzok zaslať tovar do servisnej organizácie RYOBI. Pri odosielaní výrobku do servisného strediska RYOBI je potrebné výrobok bezpečne zabaliť bez akékoľvek nebezpečného obsahu, ako je benzín, s vyznačením adresy odosielateľa, s krátkym popisom poruchy.
- Oprava/výmena je vrámci tejto záruky bezplatná. Neznamená to predĺženie záruky alebo spustenie novej záručnej doby. Vymenené diely alebo nástroje sa stávajú našim vlastníctvom. V niektorých krajinách náklady na odoslanie alebo poštovné musí zaplatiť odosielateľ. Vaše zákonné práva, vyplývajúce z nákupu náradia, zostávajú nedotknuté
- Táto záruka platí v Európskej únii, Švajčiarsku, Islande, Nórsku, Lichtenštajnsku, Turesku a Rusku. Ak sa nachádzate mimo týchto oblastí, obráťte sa na autorizovaného predajcu RYOBI na určenie, či sa dá uplatniť iná záruka.

### AUTORIZOVANÉ SERVISNÉ CENTRUM

AK chcete nájsť najbližšie autorizované servisné centrum, navštívte stránku <http://uk.ryobitools.eu/header/service-and-support/service-agents>.



## **BG** УСЛОВИЯ ЗА ВАЛИДНОСТ НА ГАРАНЦИЯТА НА RYOBI®

В допълнение към законоустановените права, произтичащи от покупката, този продукт е обхванат от гаранция, както е изложено по-долу.

- Гаранционният срок е 24 месеца за клиенти и започва да тече от деня на закупуване на продукта. Тази дата трябва да се докаже с фактура или друго доказателство за покупка. Продуктът е изработен и предназначен само за потребителска и лична употреба. Следователно не се дава гаранция в случай на използване от професионалисти или с търговска цел.
- Съществува възможност за удължаване на гаранционния срок за част от диманозата на гаранцията на градишки инструменти (A/C DC) след изпитването на описаният тук чрез регистрацията на уеб сайта [www.ryobitools.eu](http://www.ryobitools.eu). В магазините и/или на опаковката или вътре в документацията на продукта е показано ясно дали инструментът отговаря на условията за такова удължаване на гаранционния срок. Крайният потребител трябва да регистрира своите новопридобити инструменти онлайн в рамките на 30 дни от датата на покупка. Крайният потребител може да се регистрира за удължена гаранция в държавата си на пребиваване, ако е посочена във формуляра за онлайн регистрация като място, където тази опция е валидна. Освен това крайните потребители трябва да дадат съгласието си за съхранение на данните, които са задължителни за опътане онлайн, и трябва да приемат общите условия. Полученото потвърждение за регистрация, изпратено по електронна поща, и оригиналната фактура, показваща датата на покупка, ще служат като доказателство за удължената гаранция.
- Гаранцията покрива всички дефекти на продукта по време на гаранционния срок, които се дължат на проблеми в изработката или материалите към момента на покупката. Гаранцията е ограничена до ремонт и/или замяна и не включва други задължения, включително, но не само, случайни или косвени щети. Гаранцията е невалидна, ако продуктът е използван неправилно или в противоречие с ръководството с инструкции, както и ако е свързан неправилно. Тази гаранция не важи за:
  - щети по продукта в резултат на неправилна профилактика
  - продукти, които са били изменени или модифицирани
  - продукт, при който оригиналните маркировки за идентификация (търговска марка, сериен номер) са изтрети, променени или премахнати
  - повреда, причинена от неспазване на ръководството с инструкции
  - продукт без CE маркировка
  - продукт, за който е направен опит за ремонт от неквалифициран специалист или без предварително разрешение от Techtronic Industries
  - продукт, свързан към неподходящо електрозахранване (ампераж, волтаж, честота)
  - продукт, използван с неподходяща горивна смес (гориво, масло, процент масло)
  - щети, причинени от външни влияния (химични, физични, удари) или чужди вещества
  - нормално износване на резервни част
  - неподходяща употреба, претоварване на инструмента
  - използване на неодобрени аксесоари или части
  - Всякакви периодични настройки или почистване с цел извършване на поддръжка на карбуратори
  - Компоненти (част и аксесоари), подложени на естествено износване, включително, но не само, копчета за тласкане, задвижващи ремъци, съединители, остриета на ножици за жив плет или косачки за трева, прерзакири, кабелен дросел, карбонови четки, захравачи кабел, остриета, филцови шабви, осигурителни шифтове, вентилатори на уреди за обдухване, тръби за обдухване и всмукуване, торба за оптадъци и ремъци, водещи шини, вериги за триони, маркучи, фитинги на конектори, дюзи, копела, пръскалки, вътрешни и външни макари, режещо въланко, запалителни свещи, въздушни филтри, горивни филтри, остриета за мулчиране и др.
- За обслужване продуктът трябва да се изпрати или занесе на авторизиран сервиз на RYOBI, посочен за всяка държава в следния списък с адреси на сервиси. В някои държави местният търговец на RYOBI поема отговорността да изпрати продукта до сервизен център на RYOBI. При изпращане на продукт до сервиз на RYOBI той трябва да е опакован безопасно без опасност съдържане, напр. бензин, да е маркиран с адреса на подателя и придружен от кратко описание на повредата.
- Ремонтът/замяната по силата на тази гаранция са безплатни. Те водят до удължаване или подновяване на гаранционния срок. Сменените части или инструменти стават наша собственост. В някои държави таксите за доставка или изпращане трябва да се платят от подателя. Законоустановените ви права, произтичащи от закупуването на инструмента, остават незаеснати
- Тази гаранция е валидна в Европейската общност, Швейцария, Исландия, Норвегия, Лихтенщайн, Турция и Русия. Извън тези области се свържете с упълномощения търговец на RYOBI, за да се установи дали е приложима друга гаранция.

### УПЪЛНОМОЩЕН СЕРВИЗЕН ЦЕНТЪР

За да намерите упълномощен сервизен център близо до вас, посетете <http://uk.ryobitools.eu/header/service-and-support/service-agents>.

## **UK** ГАРАНТИЙНИ УМОВИ ДЛЯ RYOBI®

Окрім загалом установлених законом прав, що стосуються покупки, цей пристрій покривається гарантією, що зазначено нижче.

- Гарантійний період для споживачів складає 24 місяці і починається з моменту придбання цього пристрою. Ця дата повинна бути задокументована у гарантійному талоні або чеку. Цей пристрій був розроблений і призначений тільки для споживачого та приватного використання. У разі професійного або комерційного використання цього пристрою, він втрачає гарантію.
- Існує можливість продовжити гарантійний період, понад період описаний вище, для частини лінійки садових інструментів (перемінного/постійного струму) за допомогою реєстрації на сайті [www.ryobitools.eu](http://www.ryobitools.eu). Пристрої, які мають право на подовження гарантійного періоду, мають чіткі позначки щодо цього в магазинах і / або на упаковці / та документації до пристрою. Кінцевий користувач повинен зареєструвати його/її новопридбаний пристрій онлайн протягом 30 днів з дати покупки. Кінцевий користувач може зареєструватися для подовження гарантійного періоду в своїй країні постійного перебування, якщо вона є доступною у відповідній опції онлайн форми реєстрації. Крім того, кінцеві користувачі повинні дати свою згоду на зберігання даних, які необхідні для введення онлайн, а також вони повинні прийняти правила та умови. Отримання підтвердження реєстрації, яке відправляється на адресу електронної пошти, та оригінал гарантійного талона із зазначеною датою покупки буде слугувати доказом подовженої гарантії.
- Гарантія поширюється на всі дефекти пристрою протягом гарантійного терміну щодо недотримання стандартів виробництва або матеріалів на дату придбання. Гарантія обмежується ремонтом та/або заміною, та не включає в себе будь-яких інших зобов'язань, в тому числі, але необмежена у разі випадкових та подальших пошкоджень. Гарантія не діє, якщо пристрій використовувався неналежним чином, суперечливо до інструкції з експлуатації або був неправильно підключений до мережі. Дана гарантія не поширюється на:
  - пристрої, що були пошкоджені у результаті неправильного технічного обслуговування;
  - пристрої, що були відомозінені або модифіковані;
  - пристрої, оригінальне ідентифікаційне (товарний знак, серійний номер) маркування яких було пошкоджене, змінено або видалено;
  - будь-які пошкодження, заподіяні недотриманням інструкції з експлуатації;
  - пристрої, що не мають маркування CE;
  - пристрої, що були відремонтовані некваліфікованим фахівцем або за відсутності попереднього дозволу від Techtronic Industries;
  - пристрої, підключені до невідповідного джерела живлення (сила току, напругження, частота);
  - пристрої, що використовувались із невідповідною паливною сумішшю (паливном, оливом, відсотковою часткою оливи);
  - будь-які пошкодження спричинені зовнішнім впливом (хімічними, фізичним, стрибком напруги) або сторонніми речовинами;
  - нормальну амортизацію запасних частин;
  - невідповідне використання, перевантаження пристрою;
  - використання не підтверджених запасних частин або аксесуарів;
  - Будь-які періодичні коригування або технічне очищення карбураторів
  - Компоненти (частини та аксесуари) з урахуванням нормального зношування, враховуючи але без обмеження на імпульсні кнопки, реміні приводу, зчеплення, леза куцоріза або газозакосарки, реміні, троси дросельного клапану, вузькіні щітки, шпунти живлення, зубці, фетрові підкладки, зчіпні штирі, вентилатори повітрорудки, трубки пілососа та повітрорудки, вакуумні мішки та накладки, зубці, фетрові підкладки, зчіпні штирі, вентилатори повітрорудки, трубки пілососа та повітрорудки, вакуумні мішки та накладки, напрядні, ланцюги, нудчі шланги, з'єднувальні фітінги, розпливувальні насадки, колеса, жорсткі сопла, внутрішні котушки, зовнішні золотники, ріжучу волосінку, свічки запалення, повітряні фільтри, протигазові фільтри, мультучувальні леза, т.д.
- Для обслуговування, пристрій має бути відправлений або поданий до одного з авторизованих сервісних центрів RYOBI, які перелічені для кожної країни у наступному переліку адрес сервісних центрів. У деяких країнах місцевий дилер RYOBI зобов'язується відправити пристрій до сервісного центру RYOBI. При відправленні пристрою до сервісного центру RYOBI, пристрій має бути надійно упакований без будь-якого небезпечного вмісту, наприклад бензину, з позначеною адресою відправника та супроводжується коротким описом несправності.
- Ремонт / заміна відповідно до цієї гарантії здійснюється безкоштовно. Це не є основою для подовження або початку нового гарантійного періоду. Замінені частини або прилади переходять до власності компанії. У деяких країнах вартість доставки або поштові витрати повинні бути сплачені відправником. Загально встановлені права покликані на пристрій залишаються незмінними
- Ця гарантія діє в Європейському Союзі, Швейцарії, Ісландії, Норвегії, Лихтенштейні, Туреччині та Росії. За межами цих зон, будь ласка, зверніться до офіційного дилера RYOBI, щоб визначити, чи застосовується інша гарантія.

### АВТОРИЗОВАНІ СЕРВІСНІ ЦЕНТРИ

Для отримання оновленого переліку авторизованих сервісних центрів, відвідайте <http://ru.ryobitools.eu/header/service-and-support/service-agents/>

## TR RYOBI® GARANTİ UYGULAMA KOŞULLARI

Alımdan kaynaklanan yasal haklara ek olarak, ürün aşağıda belirtilen garanti kapsamındadır.

1. Tüketiciler için 24 ay olan garanti süresi, ürünün satın alındığı tarihte başlar. Bu tarihin bir fatura ya da alım kanıtıyla belgelenmesi gerekir. Ürün sadece tüketim ve özel kullanım için geliştirilmiş ve adanmıştır. Bu nedenle, profesyonel ya da ticari kullanım halinde garanti kapsamı sağlanmaz.
2. Bahçe aletlerinin bir bölümü (AC/DC) için [www.ryobitools.eu](http://www.ryobitools.eu) sayfasındaki kayıt işlemini kullanarak garantisinin belirtilen sürenin ötesine uzatma imkanı mevcuttur. Aletlerin garanti süresinin uzatılmasına uygun olup olmadığı mağazalarda ve / veya ambalajda açıkça belirtilmiş olup, ürün dokümantasyonunda gösterilir. Son kullanıcının yeni aldığı aletleri satın alma tarihini izleyen 30 gün içinde kaydettirmesi gerekir. Son kullanıcı ikamet ettiği ülkede, bu seçeneğin geçerli olduğu çevrimiçi kayıt formunda belirtilmişse, uzatılmış garanti süresi için kayıt yapılabilir. Dahası, son kullanıcıların çevrimiçi giriş için gerekli verilerin kaydedilmesine izin vermeli ve hüküm ve koşulları kabul etmelidir. E-posta ile gönderilen kayıt teyit mabzuzu ve alım tarihini gösteren orijinal fatura uzatılmış garantisinin kanıtı olarak değerlendirilir.
3. Garanti, ürünün alım tarihindeki işçilik ve malzeme kusurları nedeniyle garanti süresi içinde oluşacak bütün arızalarını kapsar. Bu garanti onarım ve değiştirmeyle sınırlı olup, tesadüfi ya da dolaylı hasarlar da dahil, ancak bunlarla kısıtlı olmayan başka hiçbir taahhüdü kapsamaz. Garanti, ürünün kötü, kullanıcı kılavuzuna aykırı kullanılmış ya da yanlış bağlanmış olması halinde geçerli değildir. Bu garanti aşağıdakileri kapsamaz:
  - üründe, yanlış bakımdan kaynaklanan herhangi bir hasar
  - değiştirilmiş ya da modifiye edilmiş herhangi bir ürün
  - orijinal tanıtmış işaretleri (ticari marka, seri numarası) silinmiş, değiştirilmiş ya da kaldırılmış herhangi bir ürün
  - kullanma kılavuzuna uymamaktan kaynaklanmış herhangi bir hasar
  - herhangi bir AT dışı ürün
  - kalifiye olmayan personel tarafından ya da önceden Techtron Industries onayı alınmadan onarılmış herhangi bir ürün.
  - uygunsuz güç kaynağına (amper, voltaj, frekans) bağlanmış herhangi bir ürün
  - uygunsuz bir yakıt karışımıyla (yakıt, yağ, yap yüzdesi) kullanılmış herhangi bir ürün
  - harici etkenlerden (kimyasal, fiziksel, darbe) veya yabancı cisimlerden kaynaklanan her türlü hasar
  - normal aşınır ve yıpranır aksam
  - uygunsuz kullanım, aletin aşırı yüklenmesi
  - onaysız aksesuar veya parça kullanımı
  - Karbüratörlere uygulanacak her türlü periyodik ayar, bakım veya temizlik
  - Darbe Düğmeleri, Tahrik Kayışları, Kavrama, Çit Budama ya da Çim Bıçme Makinelerinin Bıçakları, Kayış Koşumlar, Kablolu Gaz, Kömür Fırçalar, Güç Kablosu, Dişler, Keçe Rondelalar, Bağlantı Pimleri, Üfleyci Pervaneleri, Üfleyci ve Vakum Boruları, Vakum Torbası ve Kayışları, Kılavuz Çubuklar, Zincir Testereler, Hortumlar, Konektör bağlantıları, Püskürtme Memeleri, Çarklar, Püskürtme Çubukları, Dahili Makaralar, Harici Makaralar, Kesme Telleri, Bujiler, Hava Filtreleri, Gaz Filtreleri, Malçlama Bıçakları vb. gibi parçaları kapsayan, ancak bunlarla sınırlı olmayan, aşınma ve yıpranmaya tabi bileşenler (aksam ve aksesuarlar).
4. Ürünün servis için her ülkede aşağıdaki servis istasyonları adres listesinde yer alan yetkili bir RYOBI servis istasyonuna gönderilmesi ya götürülmesi gereklidir. Bazı ülkelerde, yerel RYOBI distribütörünüz ürünü RYOBI servis teşkilatına göndermeyi üstlenir. Bir ürün bir RYOBI servis istasyonuna gönderilirken, ürünün güvenli bir biçimde ambalajlanması, benzin gibi tehlikeli maddeler içermemesi, gönderenin adresini taşıması ve arızanın kısa bir açıklamasını içermesi gerekir.
5. Bu garanti kapsamında yapılacak onarım / değişiklik ücretsizdir. Garanti süresinin uzatılması ya da yeniden başlatılması anlamına gelmez. Değiştirilmiş parçalar veya aletler bize ait olur. Bazı ülkelerde teslim ücretleri veya posta giderlerinin gönderici tarafından ödenmesi gerekir. Alımdan kaynaklanan yasal haklarınız etkilenmez
6. Bu Garanti Avrupa Topluluğu, İsviçre, İzlanda, Norveç, Liechtenstein, Türkiye ve Rusya'da geçerlidir. Bu alanların dışında, başka bir garantisinin geçerli olup olmadığını belirlemek için lütfen yetkili RYOBI distribütörünüzle irtibata geçin.

### YETKİLİ SERVİS MERKEZİ

En yakın yetkili servis merkezini öğrenmek için <http://uk.ryobitools.eu/header/service-and-support/service-agents> sitesine girin.

**EN** EC DECLARATION OF CONFORMITY

Techtronic Industries GmbH  
Max-Eyth-Straße 10, 71364 Winnenden, Germany

Herewith we declare that the product  
Petrol Brushcutter/Grass trimmer  
Brand: Ryobi  
Model number: RBC31SESO/RBC31SBO  
Serial number range:  
RBC31SESO - 44499001000001-4449900199999  
RBC31SBO - 44499101000001-4449910199999

is in conformity with the following European Directives and harmonised standards  
2006/42/EC, 2014/30/EU, 2000/14/EC, 2005/88/EC, 97/68/EC as last  
amended 2012/46/EU,  
EN ISO 11806-1:2011, EN ISO 14982:2009, EN ISO 3744:2010

Measured sound power level: 111.3 dB(A)  
Guaranteed sound power level: 113 dB(A)  
Conformity assessment method to Annex V Directive 2000/14/EC amended by  
2005/88/EC.

Floyd Jeffrey Nesom (BSME)  
Senior Director of Engineering  
Winnenden, Dec. 9, 2016

Authorised to compile the technical file:  
Alexander Krug, Managing Director  
Techtronic Industries GmbH  
Max-Eyth-Straße 10, 71364 Winnenden, Germany



**DE** EC KONFORMITÄTSERKLÄRUNG

Techtronic Industries GmbH  
Max-Eyth-Straße 10, 71364 Winnenden, Germany

Hiermit erklären wir, dass die Produkte  
Benzinbetriebener Freischneider/Grastrimmer  
Marke: Ryobi  
Modellnummer: RBC31SESO/RBC31SBO  
Seriennummernbereich:  
RBC31SESO - 44499001000001-4449900199999  
RBC31SBO - 44499101000001-4449910199999

den folgenden europäischen Richtlinien und harmonisierten Normen entspricht  
2006/42/EC, 2014/30/EU, 2000/14/EC, 2005/88/EC, 97/68/EC wie zuletzt  
geändert 2012/46/EU,  
EN ISO 11806-1:2011, EN ISO 14982:2009, EN ISO 3744:2010

Gemessener Schalleistungspegel: 111.3 dB(A)  
Garantierter Schalleistungspegel: 113 dB(A)  
Konformitätsbeurteilungsmethode zu Anhang V Richtlinie 2000/14/EC wie durch  
2005/88/EC.

Floyd Jeffrey Nesom (BSME)  
Generaldirektor Technik  
Winnenden, Dec. 9, 2016

Autorisiert die technische Datei zu erstellen:  
Alexander Krug, Managing Director  
Techtronic Industries GmbH  
Max-Eyth-Straße 10, 71364 Winnenden, Germany



**FR** DÉCLARATION DE CONFORMITÉ EC

Techtronic Industries GmbH  
Max-Eyth-Straße 10, 71364 Winnenden, Germany

Déclarons par la présente que le produit  
Débroussaileuse/Coupe-herbe à essence  
Marque: Ryobi  
Numéro de modèle: RBC31SESO/RBC31SBO  
Étendue des numéros de série:  
RBC31SESO - 44499001000001-4449900199999  
RBC31SBO - 44499101000001-4449910199999

est conforme aux Directives Européennes et Normes Harmonisées suivantes  
2006/42/EC, 2014/30/EU, 2000/14/EC, 2005/88/EC, 97/68/EC modifié en  
dernier lieu 2012/46/EU,  
EN ISO 11806-1:2011, EN ISO 14982:2009, EN ISO 3744:2010

Niveau de puissance sonore mesuré: 111.3 dB(A)  
Niveau de puissance sonore garanti: 113 dB(A)  
Méthode d'évaluation de conformité de l'Annexe V Directive 2000/14/EC  
modifiée 2005/88/EC.

Floyd Jeffrey Nesom (BSME)  
Directeur Principal de l'ingénierie  
Winnenden, Dec. 9, 2016

Autorisé à rédiger le dossier technique:  
Alexander Krug, Managing Director  
Techtronic Industries GmbH  
Max-Eyth-Straße 10, 71364 Winnenden, Germany



**ES** DECLARACIÓN EC DE CONFORMIDAD

Techtronic Industries GmbH  
Max-Eyth-Straße 10, 71364 Winnenden, Germany

Por la presente declaramos que los productos  
Desbrozadora/Cortacésped de gasolina  
Marca: Ryobi  
Número de modelo: RBC31SESO/RBC31SBO  
Intervalo del número de serie:  
RBC31SESO - 44499001000001-4449900199999  
RBC31SBO - 44499101000001-4449910199999

se encuentra en conformidad con las siguientes Directivas Europeas y normas  
armonizadas  
2006/42/EC, 2014/30/EU, 2000/14/EC, 2005/88/EC, 97/68/EC según última  
modificación 2012/46/EU,  
EN ISO 11806-1:2011, EN ISO 14982:2009, EN ISO 3744:2010

Nivel de potencia acústica medido: 111.3 dB(A)  
Nivel de potencia acústica garantizado: 113 dB(A)  
Método de evaluación de conformidad con el anexo V Directiva 2000/14/EC  
modificada por la 2005/88/EC

Floyd Jeffrey Nesom (BSME)  
Director sénior de Ingeniería  
Winnenden, Dec. 9, 2016

Autorizado para elaborar la ficha técnica:  
Alexander Krug, Managing Director  
Techtronic Industries GmbH  
Max-Eyth-Straße 10, 71364 Winnenden, Germany



## IT DICHIARAZIONE DI CONFORMITÀ EC

Techtronic Industries GmbH  
Max-Eyth-Straße 10, 71364 Winnenden, Germany

Si dichiara con la presente che il prodotto  
Decesopugliatore/Tosaerba a benzina  
Marca: Ryobi  
Numero modello: RBC31SESO/RBC31SBO  
Gamma numero serie:  
RBC31SESO - 44499001000001-4449900199999  
RBC31SBO - 44499101000001-4449910199999

è conforme alle seguenti Direttive Europee e ai seguenti standard armonizzati  
2006/42/EC, 2014/30/EU, 2000/14/EC, 2005/88/EC, 97/68/EC modificata da  
ultimo 2012/46/EU,  
EN ISO 11806-1:2011, EN ISO 14982:2009, EN ISO 3744:2010

Livello di potenza acustica misurato: 111.3 dB(A)  
Livello di potenza sonora garantita: 113 dB(A)  
Metodo di valutazione di conformità Allegato V Direttiva 2000/14/EC modificata  
con la 2005/88/EC.



Floyd Jeffrey Nesom (BSME)  
Direttore Senior Sezione Ingegneria  
Winnenden, Dec. 9, 2016

Autorizzato per compilare il file tecnico:  
Alexander Krug, Managing Director  
Techtronic Industries GmbH  
Max-Eyth-Straße 10, 71364 Winnenden, Germany

## PT DECLARAÇÃO EC DE CONFORMIDADE

Techtronic Industries GmbH  
Max-Eyth-Straße 10, 71364 Winnenden, Germany

Pelo presente declaramos que os produtos  
Roçadora/Recortadora de relva a Gasolina  
Marca: Ryobi  
Número do modelo: RBC31SESO/RBC31SBO  
Intervalo do número de série:  
RBC31SESO - 44499001000001-4449900199999  
RBC31SBO - 44499101000001-4449910199999

se encontra em conformidade com as seguintes Directivas Europeias e normas  
harmozizadas  
2006/42/EC, 2014/30/EU, 2000/14/EC, 2005/88/EC, 97/68/EC conforme a  
última correção 2012/46/EU,  
EN ISO 11806-1:2011, EN ISO 14982:2009, EN ISO 3744:2010

Nível de potência sonora medido: 111.3 dB(A)  
Nível de potência sonora garantido: 113 dB(A)  
Método de avaliação da conformidade Anexo V Diretiva 2000/14/CE alterada  
por 2005/88/EC.



Floyd Jeffrey Nesom (BSME)  
Director Senior de Engenharia  
Winnenden, Dec. 9, 2016

Autorizado para compilar o ficheiro técnico:  
Alexander Krug, Managing Director  
Techtronic Industries GmbH  
Max-Eyth-Straße 10, 71364 Winnenden, Germany

## NL EC CONFORMITEITSVERKLARING

Techtronic Industries GmbH  
Max-Eyth-Straße 10, 71364 Winnenden, Germany

Hierbij verklaren wij dat het product  
Bosmaaier/Grastrimmer met benzinemotor  
Merk: Ryobi  
Modelnummer: RBC31SESO/RBC31SBO  
Serienummerbereik:  
RBC31SESO - 44499001000001-4449900199999  
RBC31SBO - 44499101000001-4449910199999

is in overeenstemming met de volgende Europese Richtlijnen en geharmoniseerde  
normen  
2006/42/EC, 2014/30/EU, 2000/14/EC, 2005/88/EC, 97/68/EC zoals  
laatstelijk gewijzigd 2012/46/EU,  
EN ISO 11806-1:2011, EN ISO 14982:2009, EN ISO 3744:2010

Gemeten geluidsniveau: 111.3 dB(A)  
Gegarandeerd geluidsniveau: 113 dB(A)  
Evaluatiemethode conformiteit annex V richtlijn 2000/14/EC gewijzigd door  
2005/88/EC.



Floyd Jeffrey Nesom (BSME)  
Directeur Ontwerp  
Winnenden, Dec. 9, 2016

Afgevaardigde voor het samenstellen van de technische fiche:  
Alexander Krug, Managing Director  
Techtronic Industries GmbH  
Max-Eyth-Straße 10, 71364 Winnenden, Germany

## DA EC OVERENSSTEMMELSEERKLÆRING

Techtronic Industries GmbH  
Max-Eyth-Straße 10, 71364 Winnenden, Germany

Vi erklærer hermed, at produktet  
Benzinbaseret Hækkeklipper/Grastrimmer  
Brand: Ryobi  
Modelnummer: RBC31SESO/RBC31SBO  
Serienummerområde:  
RBC31SESO - 44499001000001-4449900199999  
RBC31SBO - 44499101000001-4449910199999

er i overensstemmelse med følgende EU-direktiver og harmoniserede standarder  
2006/42/EC, 2014/30/EU, 2000/14/EC, 2005/88/EC, 97/68/EC som sidst  
ændret 2012/46/EU,  
EN ISO 11806-1:2011, EN ISO 14982:2009, EN ISO 3744:2010

Målt støjniveau: 111.3 dB(A)  
Garanteret støjniveau: 113 dB(A)  
Overensstemmelsesvurderingsmetode iht. Tillæg V, Direktiv 2000/14/EC  
ændret ved 2005/88/EC.



Floyd Jeffrey Nesom (BSME)  
Maskinteknisk underdirektør  
Winnenden, Dec. 9, 2016

Bemyndiget til at udarbejde det tekniske kartotek:  
Alexander Krug, Managing Director  
Techtronic Industries GmbH  
Max-Eyth-Straße 10, 71364 Winnenden, Germany



**SV** EC-DEKLARATION ANGÅENDE ÖVERENSSTÄMMIGHET

Techtronic Industries GmbH  
Max-Eyth-Straße 10, 71364 Winnenden, Germany

Härmed deklarerar vi att produkterna  
Bensindriven Ryöjsåg/Grästrimmer  
Märke: Ryobi  
Modellnummer: RBC31SESO/RBC31SBO  
Serienummerintervall:  
RBC31SESO - 44499001000001-4449900199999  
RBC31SBO - 44499101000001-4449910199999

är i enlighet med följande EU-direktiv och harmoniserade standarder  
2006/42/EC, 2014/30/EU, 2000/14/EC, 2005/88/EC, 97/68/EC enligt  
senaste tillägg 2012/46/EU,  
EN ISO 11806-1:2011, EN ISO 14982:2009, EN ISO 3744:2010

Uppmått ljudeffektnivå: 111,3 dB(A)  
Garanterad ljudeffektnivå: 113 dB(A)  
Bedömningsmetod för uppfyllelse, Annex V Directive 2000/14/EC samt tilläggen  
i 2005/88/EC.

Floyd Jeffrey Nesom (BSME)  
Senior Director of Engineering  
Winnenden, Dec. 9, 2016

Godkänd att sammanställa den tekniska filen:  
Alexander Krug, Managing Director  
Techtronic Industries GmbH  
Max-Eyth-Straße 10, 71364 Winnenden, Germany



**NO** EC-ERKLÆRING OM PRODUKTOVERENSSTEMMELSE

Techtronic Industries GmbH  
Max-Eyth-Straße 10, 71364 Winnenden, Germany

Herved erklærer vi at produktet  
Bensindrevet Ryddesag/Gresstrimmer  
Märke: Ryobi  
Modellnummer: RBC31SESO/RBC31SBO  
Serienummerserie:  
RBC31SESO - 44499001000001-4449900199999  
RBC31SBO - 44499101000001-4449910199999

er i samsvar med følgende europeiske direktiver og harmoniserte standarder  
2006/42/EC, 2014/30/EU, 2000/14/EC, 2005/88/EC, 97/68/EC etter siste  
endring 2012/46/EU,  
EN ISO 11806-1:2011, EN ISO 14982:2009, EN ISO 3744:2010

Målt lydfeffektnivå: 111,3 dB(A)  
Garantert lydfeffektnivå: 113 dB(A)  
Metode for vurdering av konformitet til tillegg V Direktiv 2000/14/EC endret ved  
2005/88/EC.

Floyd Jeffrey Nesom (BSME)  
Seniorleder ingeniøravdeling  
Winnenden, Dec. 9, 2016

Autorisert til å sette sammen den tekniske filen:  
Alexander Krug, Managing Director  
Techtronic Industries GmbH  
Max-Eyth-Straße 10, 71364 Winnenden, Germany



**FI** EC-SÄÄNNÖSTEN NOUDATTAMINEN

Techtronic Industries GmbH  
Max-Eyth-Straße 10, 71364 Winnenden, Germany

Ilmoitamme täten, että tuotteet  
Bensinikäyttöinen Ruohoraivuri/Nurmikkotrimmeri  
Tuotemerkki: Ryobi  
Mallinnumero: RBC31SESO/RBC31SBO  
Sarjanumeroalue:  
RBC31SESO - 44499001000001-4449900199999  
RBC31SBO - 44499101000001-4449910199999

noudattaa seuraavia EU-direktiivejä ja harmonoituja standardeja  
2006/42/EC, 2014/30/EU, 2000/14/EC, 2005/88/EC, 97/68/EC kuten  
viimeksi lisätty 2012/46/EU,  
EN ISO 11806-1:2011, EN ISO 14982:2009, EN ISO 3744:2010

Mittattu ääniteho: 111,3 dB(A)  
Taattu ääniteho: 113 dB(A)

Säännösten noudattaminen tarkastettu direktiivin 2000/14/EC liitteen V  
mukaisesti muutettu direktiivillä 2005/88/EC.

Floyd Jeffrey Nesom (BSME)  
Suunnitteluosaston pääjohtaja  
Winnenden, Dec. 9, 2016

Valtuutettu kokoamaan tekninen tiedosto:  
Alexander Krug, Managing Director  
Techtronic Industries GmbH  
Max-Eyth-Straße 10, 71364 Winnenden, Germany



**RU** ЗАЯВЛЕНИЕ О СООТВЕТСТВИИ ТРЕБОВАНИЯМ ЕС

Techtronic Industries GmbH  
Max-Eyth-Straße 10, 71364 Winnenden, Germany

Настоящим мы заявляем, что данный продукт  
Бензиновый Кусторез/Триммер  
Марка: Ryobi  
Номер модели: RBC31SESO/RBC31SBO  
Диапазон заводских номеров:  
RBC31SESO - 44499001000001-4449900199999  
RBC31SBO - 44499101000001-4449910199999

соответствует требованиям следующих Директив ЕС и согласованных  
стандартов  
2006/42/EC, 2014/30/EU, 2000/14/EC, 2005/88/EC, 97/68/EC в последней  
редакции 2012/46/EU,  
EN ISO 11806-1:2011, EN ISO 14982:2009, EN ISO 3744:2010

Измеренный уровень звуковой мощности: 111,3 dB(A)  
Гарантируемый уровень звуковой мощности: 113 dB(A)  
Способ оценки соответствия, приложение V к директиве 2000/14/EC с  
изменениями 2005/88/EC.

Floyd Jeffrey Nesom (BSME)  
Старший технический директор  
Winnenden, Dec. 9, 2016

Лицо, ответственное за подготовку технической документации:  
Alexander Krug, Managing Director  
Techtronic Industries GmbH  
Max-Eyth-Straße 10, 71364 Winnenden, Germany



**PL** DEKLARACJA ZGODNOŚCI EC

Techtronic Industries GmbH  
Max-Eyth-Straße 10, 71364 Winnenden, Germany

Niniejszym deklarujemy, że produkty  
Benzynowa Przcynarka do krzewów/Przcynarka do trawy  
Marka: Ryobi  
Numer modelu: RBC31SESO/RBC31SBO  
Zakres numerów seryjnych:  
RBC31SESO - 44499001000001-4449900199999  
RBC31SBO - 44499101000001-4449910199999

jest zgodny z następującymi dyrektywami europejskimi i zharmonizowanymi normami

2006/42/EC, 2014/30/EU, 2000/14/EC, 2005/88/EC, 97/68/EC z ostatnimi zmianami w 2012/46/EU,  
EN ISO 11806-1:2011, EN ISO 14982:2009, EN ISO 3744:2010

Zmierzony poziom natężenia hałasu: 111,3 dB(A)  
Maksymalny poziom natężenia hałasu: 113 dB(A)  
Metoda ocena zgodności zgodnie z aneksem V Dyrektywy 2000/14/EC zmieniona przez dyrektywę 2005/88/EC.

Floyd Jeffrey Nesom (BSME)  
Dyrektor Techniczny  
Winnenden, Dec. 9, 2016

Osoba upoważniona do sporządzenia dokumentu technicznego:  
Alexander Krug, Managing Director  
Techtronic Industries GmbH  
Max-Eyth-Straße 10, 71364 Winnenden, Germany



**HU** EC IZJAVA O USKLABENOSTI

Techtronic Industries GmbH  
Max-Eyth-Straße 10, 71364 Winnenden, Germany

Ezúton kijelentjük, hogy a termék  
Benzines Bozótívágó/Fűkasza  
Márka: Ryobi  
Típuszám: RBC31SESO/RBC31SBO  
Sorozatszám tartomány:  
RBC31SESO - 44499001000001-4449900199999  
RBC31SBO - 44499101000001-4449910199999

megfelel az alábbi Európai irányelvek és harmonizált szabványok vonatkozó rendelkezéseinek

2006/42/EC, 2014/30/EU, 2000/14/EC, 2005/88/EC, 97/68/EC utolsó módosítás szerint 2012/46/EU,  
EN ISO 11806-1:2011, EN ISO 14982:2009, EN ISO 3744:2010

Mért hangteljesítményszint: 111,3 dB(A)  
Garantált hangteljesítményszint: 113 dB(A)  
A megfelelőségi értékelési eljárás a 2000/14/EK direktíva V. függeléke szerint történt által módosított 2000/14/EC irányelv.

Floyd Jeffrey Nesom (BSME)  
Senior Tervezési igazgató  
Winnenden, Dec. 9, 2016

A műszaki dokumentáció összeállítására felhatalmazott:  
Alexander Krug, Managing Director  
Techtronic Industries GmbH  
Max-Eyth-Straße 10, 71364 Winnenden, Germany



**CS** PROHLÁŠENÍ O SHODĚ EC

Techtronic Industries GmbH  
Max-Eyth-Straße 10, 71364 Winnenden, Germany

Tímto prohlašujeme, že výrobky  
Benzinový Křovinořez/Vyživač trávy  
Značka: Ryobi  
Číslo modelu: RBC31SESO/RBC31SBO  
Rozsah sériových čísel:  
RBC31SESO - 44499001000001-4449900199999  
RBC31SBO - 44499101000001-4449910199999

že tento výrobek je v souladu s evropskými a harmonizovanými standardy  
2006/42/EC, 2014/30/EU, 2000/14/EC, 2005/88/EC, 97/68/EC ve znění pozdějších předpisů 2012/46/EU,  
EN ISO 11806-1:2011, EN ISO 14982:2009, EN ISO 3744:2010.

Změřená hladina akustického výkonu: 111,3 dB(A)  
Zaručená hladina akustického výkonu: 113 dB(A)  
Soulad s metodou určování pro přílohu V směrnice 2000/14/EC upravená 2005/88/EC.

Floyd Jeffrey Nesom (BSME)  
Vedoucí ředitel pro strojní zařízení  
Winnenden, Dec. 9, 2016

Pověření ke kompilaci technického souboru:  
Alexander Krug, Managing Director  
Techtronic Industries GmbH  
Max-Eyth-Straße 10, 71364 Winnenden, Germany



**RO** DECLARAȚIE DE CONFORMITATE EC

Techtronic Industries GmbH  
Max-Eyth-Straße 10, 71364 Winnenden, Germany

Prin prezenta, declarăm că produsele  
Tăietor de arbore/Trimmer pentru gazon pe benzină  
Mărcă: Ryobi  
Număr serie: RBC31SESO/RBC31SBO  
Gamă număr serie:  
RBC31SESO - 44499001000001-4449900199999  
RBC31SBO - 44499101000001-4449910199999

este în conformitate cu următoarele Directive Europene și standarde armonizate  
2006/42/EC, 2014/30/EU, 2000/14/EC, 2005/88/EC, 97/68/EC conform ultimelor amendamente 2012/46/EU,  
EN ISO 11806-1:2011, EN ISO 14982:2009, EN ISO 3744:2010

Nivelul măsurat al puterii acustice: 111,3 dB(A)  
Nivel garantat al puterii acustice: 113 dB(A)  
Metodă de asamblare conformă Anexei V a Directivei 2000/14/CE modificată prin 2005/88/EC.

Floyd Jeffrey Nesom (BSME)  
Director general de inginerie  
Winnenden, Dec. 9, 2016

Autorizat să completeze fișa tehnică:  
Alexander Krug, Managing Director  
Techtronic Industries GmbH  
Max-Eyth-Straße 10, 71364 Winnenden, Germany



**LV EC ATBILSTĪBAS PAZIŅOJUMS**

Techtronic Industries GmbH  
Max-Eyth-Straße 10, 71364 Winnenden, Germany

Ar šo paziņojam, ka produkti  
Benzīna Krūmgriezis/Zāles trimmeris  
Zīmols: Ryobi  
Modeļa numurs: RBC31SESO/RBC31SBO  
Sērijas numura intervāls:  
RBC31SESO - 44499001000001-4449900199999  
RBC31SBO - 44499101000001-4449910199999

atbilst šādām Eiropas direktīvām un saskaņotajiem standartiem  
2006/42/EC, 2014/30/EU, 2000/14/EC, 2005/88/EC, 97/68/EC saskaņā ar  
pēdējām izmaiņām 2012/46/EU,  
EN ISO 11806-1:2011, EN ISO 14982:2009, EN ISO 3744:2010

Izmērītās skaņas jaudas līmenis: 111.3 dB(A)  
Garantētais skaņas intensitātes līmenis: 113 dB(A)  
Atbilstības novērtēšanas metode direktīvas 2000/14/EK V pielikumā labota  
2005/88/EC.



Floyd Jeffrey Nesom (BSME)  
Inženieru nodaļas vadītājs  
Winnenden, Dec. 9, 2016

Pilnvarots sastādīt tehnisko failu:  
Alexander Krug, Managing Director  
Techtronic Industries GmbH  
Max-Eyth-Straße 10, 71364 Winnenden, Germany

**ET EC VASTAVUSDEKLARĀTSIOON**

Techtronic Industries GmbH  
Max-Eyth-Straße 10, 71364 Winnenden, Germany

Kinnitame, et see toode  
Bensiinimootoriga V6sõalõikur/Murustrimmer  
Mark: Ryobi  
Mudeli number: RBC31SESO/RBC31SBO  
Seerianumbri vahemik:  
RBC31SESO - 44499001000001-4449900199999  
RBC31SBO - 44499101000001-4449910199999

vastab järgmistele Euroopa direktiividele ja harmoniseeritud standarditele  
2006/42/EC, 2014/30/EU, 2000/14/EC, 2005/88/EC, 97/68/EC viimati  
muudetud 2012/46/EU,  
EN ISO 11806-1:2011, EN ISO 14982:2009, EN ISO 3744:2010

Mõõdetud helivõimsuse tase: 111.3 dB(A)  
Garanteeritud helivõimsuse tase: 113 dB(A)  
Vastavushindamine vastavalt direktiivi 2000/14/EC lisale V muudetud  
direktiiviga 2005/88/EC.



Floyd Jeffrey Nesom (BSME)  
Tehnika-peadirektor  
Winnenden, Dec. 9, 2016

Tehnilise faili koostamiseks volitatud isik:  
Alexander Krug, Managing Director  
Techtronic Industries GmbH  
Max-Eyth-Straße 10, 71364 Winnenden, Germany

**LT EC ATITIKTIES DEKLARACIJA**

Techtronic Industries GmbH  
Max-Eyth-Straße 10, 71364 Winnenden, Germany

Mes pareiškiame, kad šie produktai  
Benzininė Krūmapjovė/Nešiojamoji žolijapjovė  
Prekės ženklas: Ryobi  
Modelio numeris: RBC31SESO/RBC31SBO  
Serijinio numerio diapazonas:  
RBC31SESO - 44499001000001-4449900199999  
RBC31SBO - 44499101000001-4449910199999

pagamintas laikantis toliau nurodytųjų Europos Direktyvų ir darniųjų standartų  
2006/42/EC, 2014/30/EU, 2000/14/EC, 2005/88/EC, 97/68/EC su  
pakeitimais 2012/46/EU,  
EN ISO 11806-1:2011, EN ISO 14982:2009, EN ISO 3744:2010

Išmatuotas akustinis lygis: 111.3 dB(A)  
Garantuotas akustinis lygis: 113 dB(A)  
Atitikties įvertinimo metodas pagal direktyvos 2000/14/EB, V Priedą su  
pataisomis 2005/88/EC.



Floyd Jeffrey Nesom (BSME)  
Vyr. inžinierius direktorius  
Winnenden, Dec. 9, 2016

Išgalios sudaryti techninį failą:  
Alexander Krug, Managing Director  
Techtronic Industries GmbH  
Max-Eyth-Straße 10, 71364 Winnenden, Germany

**HR EC IZJAVO O USKLADENOSTI**

Techtronic Industries GmbH  
Max-Eyth-Straße 10, 71364 Winnenden, Germany

Ovime izjavljujemo da su proizvodi  
Benzinski Rezač za travu  
Marka: Ryobi  
Broj modela: RBC31SESO/RBC31SBO  
Raspon serijskog broja:  
RBC31SESO - 44499001000001-4449900199999  
RBC31SBO - 44499101000001-4449910199999

usklađen sa sljedećim Europskim Direktivama i usklađenim normama  
2006/42/EC, 2014/30/EU, 2000/14/EC, 2005/88/EC, 97/68/EC prema  
posljednjim izmjenama 2012/46/EU,  
EN ISO 11806-1:2011, EN ISO 14982:2009, EN ISO 3744:2010

Izmjerena razina zvučne snage: 111.3 dB(A)  
Jamčena razina zvučne snage: 113 dB(A)  
Metoda procjene usklađenosti prema dodatku V Direktive 2000/14/EC  
navedeno u 2005/88/EC.



Floyd Jeffrey Nesom (BSME)  
Viši direktor inženjeringa  
Winnenden, Dec. 9, 2016

Ovlašten da sastavi tehničku datoteku:  
Alexander Krug, Managing Director  
Techtronic Industries GmbH  
Max-Eyth-Straße 10, 71364 Winnenden, Germany

**SL** IZJAVA EC O SKLADNOSTI

Techtronic Industries GmbH  
Max-Eyth-Straße 10, 71364 Winnenden, Germany

Izjavljamo, da je izdelek

Bencinski Obrezovalnik grmičevja/Rezalnik trave  
Znamka: Ryobi  
Številka modela: RBC31SESO/RBC31SBO  
Razpon serijskih števil:  
RBC31SESO - 44499001000001-4449900199999  
RBC31SBO - 44499101000001-4449910199999

v skladu s sledečimi evropskimi direktivami in harmoniziranimi standardi  
2006/42/EC, 2014/30/EU, 2000/14/EC, 2005/88/EC, 97/68/EC kakor je bilo  
nazadnje spremenjeno 2012/46/EU,  
EN ISO 11806-1:2011, EN ISO 14982:2009, EN ISO 3744:2010

Izmerjena raven zvočne moči: 111.3 dB(A)  
Zajamčena raven zvočne moči: 113 dB(A)  
Način ugotavljanja skladnosti s Prilogo V direktive 2000/14/ES ki je bila  
spremenjena z 2005/88/EC.



Floyd Jeffrey Nesom (BSME)  
Višji direktor tehničnega oddelka  
Winnenden, Dec. 9, 2016

Pooblaščenca osoba za sestavo tehnične dokumentacije:  
Alexander Krug, Managing Director  
Techtronic Industries GmbH  
Max-Eyth-Straße 10, 71364 Winnenden, Germany

**BG** ЕС ДЕКЛАРАЦИЯ НА ЗА СЪОТВЕТСТВИЕ

Techtronic Industries GmbH  
Max-Eyth-Straße 10, 71364 Winnenden, Germany

С настоящето декларираме, че продуктите

Бензинов Храсторез/Триммер за трева  
Марка: Ryobi  
Номер на модела: RBC31SESO/RBC31SBO  
Обхват на серийни номера:  
RBC31SESO - 44499001000001-4449900199999  
RBC31SBO - 44499101000001-4449910199999

отговаря на следните директиви на ЕС и хармонизирани стандарти  
2006/42/EC, 2014/30/EU, 2000/14/EC, 2005/88/EC, 97/68/EC последна  
промяна 2012/46/EU,  
EN ISO 11806-1:2011, EN ISO 14982:2009, EN ISO 3744:2010

Измерено ниво на шум: 111.3 dB(A)  
Гарантирано ниво на шум: 113 dB(A)  
Метод на оценяване на съответствието съобразно приложение V от  
Директива 2000/14/EC, изменена от 2005/88/EC.



Floyd Jeffrey Nesom (BSME)  
Старши директор „Машиностроене“  
Winnenden, Dec. 9, 2016

Упълномощено лице за съставяне на техническия файл:  
Alexander Krug, Managing Director  
Techtronic Industries GmbH  
Max-Eyth-Straße 10, 71364 Winnenden, Germany

**SK** PREHLÁSENIE O ZHODE EC

Techtronic Industries GmbH  
Max-Eyth-Straße 10, 71364 Winnenden, Germany

Týmto vyhlasujeme, že výrobok

Benzinový Krovínorez/Strunová kosačka  
Značka: Ryobi  
Číslo modelu: RBC31SESO/RBC31SBO  
Rozsah sériových čísel:  
RBC31SESO - 44499001000001-4449900199999  
RBC31SBO - 44499101000001-4449910199999

je v súlade s nasledujúcimi Európskymi smernicami a harmonizovanými normami  
2006/42/EC, 2014/30/EU, 2000/14/EC, 2005/88/EC, 97/68/EC naposledy  
zmenené 2012/46/EU,  
EN ISO 11806-1:2011, EN ISO 14982:2009, EN ISO 3744:2010

Nameraná úroveň hluku: 111.3 dB(A)  
Garantovaná úroveň hluku: 113 dB(A)  
Metóda zhodnotenia zhody, Dodatok V, Smernice 2000/14/EC doplnená o  
2005/88/EC.



Floyd Jeffrey Nesom (BSME)  
Vyšší strojnicky riaditeľ  
Winnenden, Dec. 9, 2016

Oprávnená osoba na zostavenie technického súboru:  
Alexander Krug, Managing Director  
Techtronic Industries GmbH  
Max-Eyth-Straße 10, 71364 Winnenden, Germany

**UK** ЕС ДЕКЛАРАЦИЯ ПРО ВІДПОВІДНІСТЬ

Techtronic Industries GmbH  
Max-Eyth-Straße 10, 71364 Winnenden, Germany

При цьому ми заявляємо, що продукт

Бензиновий Куцоріз/Триммер  
Марка: Ryobi  
Model number: RBC31SESO/RBC31SBO  
Номер моделі:  
RBC31SESO - 44499001000001-4449900199999  
RBC31SBO - 44499101000001-4449910199999

у відповідності з наступними європейськими директивами та гармонізованими  
стандартами  
2006/42/EC, 2014/30/EU, 2000/14/EC, 2005/88/EC, 97/68/EC з останніми  
змінами 2012/46/EU,  
EN ISO 11806-1:2011, EN ISO 14982:2009, EN ISO 3744:2010

Вимірний рівень звукової потужності: 111.3 dB(A)  
Гарантований рівень звукової потужності: 113 dB(A)  
Метод оцінки відповідності Annex V Directive 2000/14/EC з поправками,  
внесеними 2005/88/EC.



Floyd Jeffrey Nesom (BSME)  
Старший технічний директор  
Winnenden, Dec. 9, 2016

Дозвіл на складання технічного файла:  
Alexander Krug, Керуючий директор  
Techtronic Industries GmbH  
Max-Eyth-Straße 10, 71364 Winnenden, Germany

**TR** EC UYGUNLUK BEYANI

Techtronic Industries GmbH  
Max-Eyth-Straße 10, 71364 Winnenden, Germany

İş bu belge ile bu ürünün

Benzinli Çalı Kesici/Çim biçme makinesi

Marka: Ryobi

Model numarası: RBC31SESO/RBC31SBO

Seri numarası aralığı:

RBC31SESO - 44499001000001-44499001999999

RBC31SBO - 44499101000001-44499101999999

*aşağıdaki Avrupa Direktiflerine ve uyumlaştırılmış standartlara uygun olduğunu beyan ediyorum*

2006/42/EC, 2014/30/EU, 2000/14/EC, 2005/88/EC, 97/68/EC ile değiştirilen

2012/46/EU,

EN ISO 11806-1:2011, EN ISO 14982:2009, EN ISO 3744:2010

Ölçülen ses gücü seviyesi: 111,3 dB(A)

Güvençeli ses gücü seviyesi: 113 dB(A)

2005/88/AT ile değiştirilen 2000/14/AT Direktifi Ek V uyarınca uygunluk değerlendirilmesi yöntemi

Floyd Jeffrey Nesom (BSME)  
Kıdemli Mühendislik Yöneticisi  
Winnenden, Dec. 9, 2016

Teknik dosyayı derlemekle yetkili sorumlu:  
Alexander Krug, İdari Müdür  
Techtronic Industries GmbH  
Max-Eyth-Straße 10, 71364 Winnenden, Germany







**Techtronic Industries GmbH**  
Max-Eyth-Straße 10,  
71364 Winnenden, Germany

960405039-01