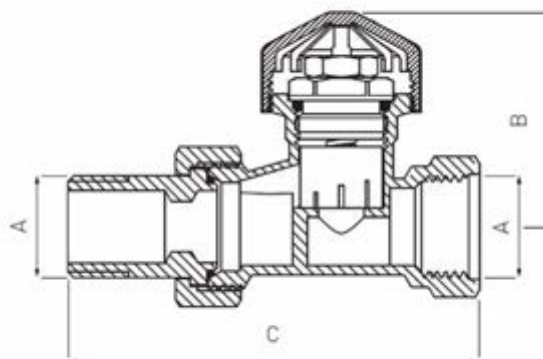


Code: ZT

Thermostatic valve

<https://www.ferrocompany.com/product-3843-ZT.html>


- **10 years warranty**
- maximum allowable static pressure: 1MPa
- maximum allowable pressure difference: 0,06MPa
- maximum working temperature: 100°C
- head connecting thread: M30x1,5

Code	DN	A	B	C	Nominal flow q_{mN}	Pressure difference impact	Initial regulation			E*
ZT2Y	15	Rp 1/2	44	85	0,130m³/h	0,8K	Tak	9	108	ZT2YE
ZT2YS	15	Rp 1/2	44	85	0,137 m³/h	0,3 K	Nie	9	108	-
ZT3Y	20	Rp 3/4	45,5	100	0,162m³/h	0,6K	Tak	8	72	-

*E - Products on euro-slot with barcode enabling retail sale.