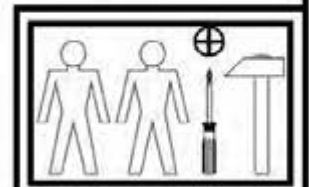
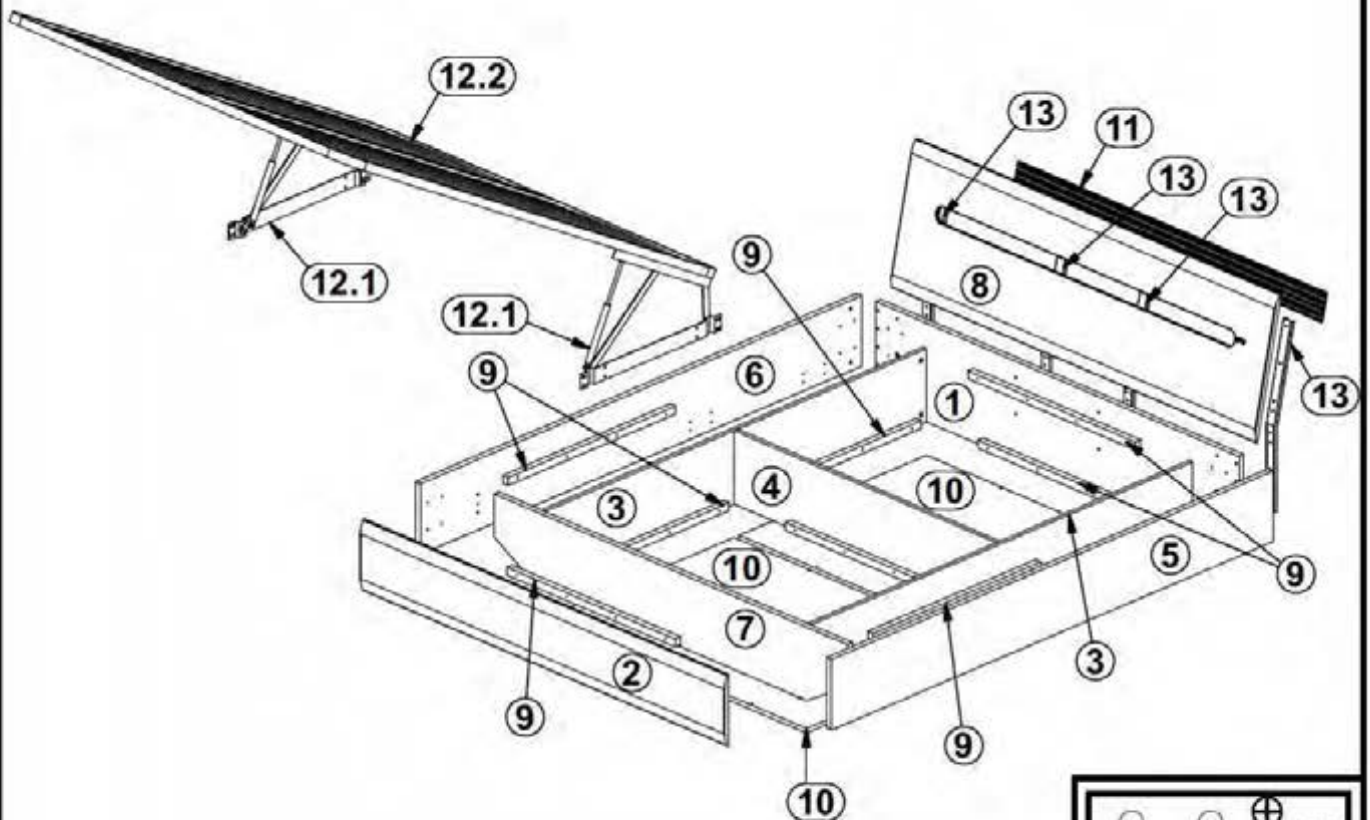
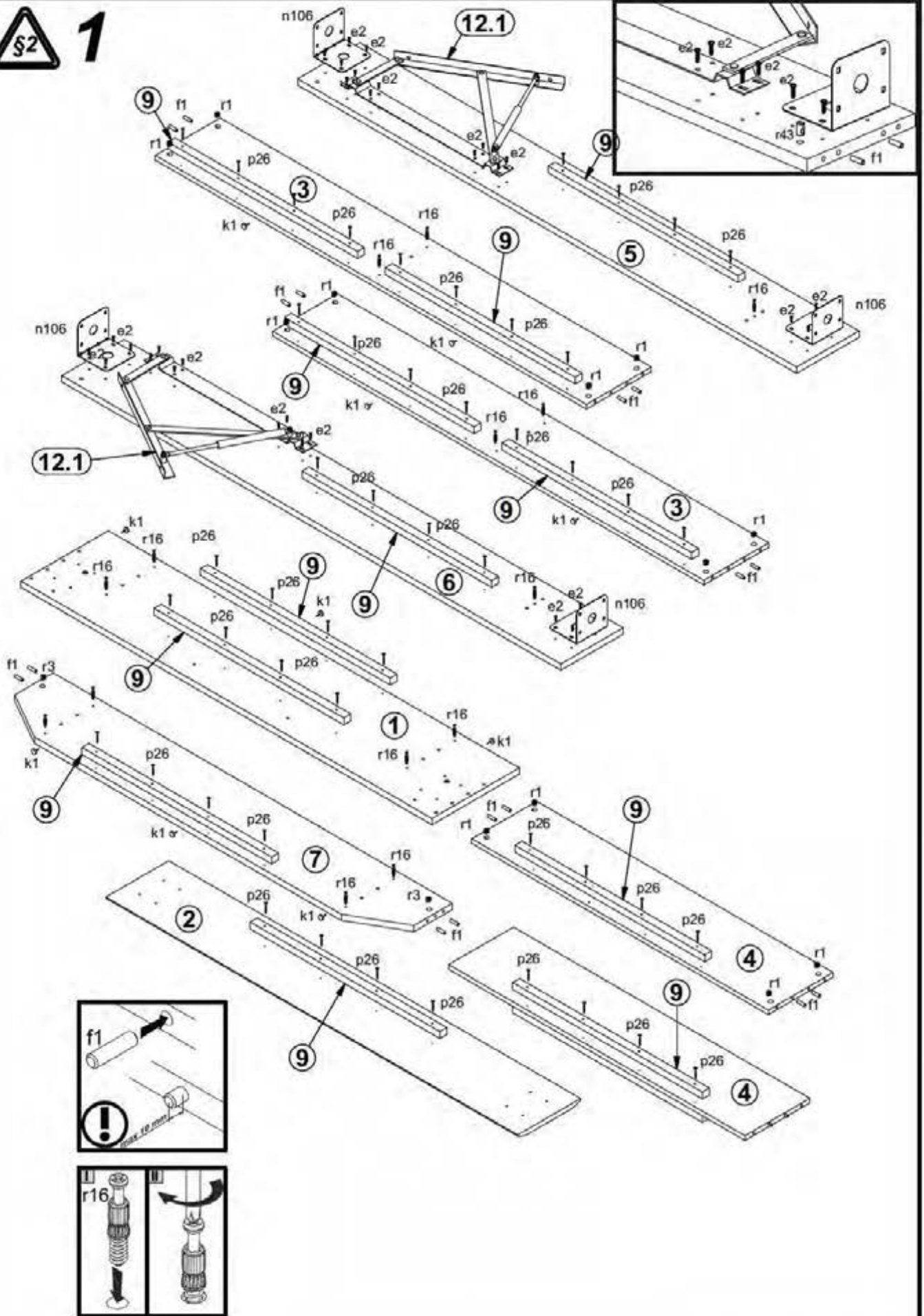


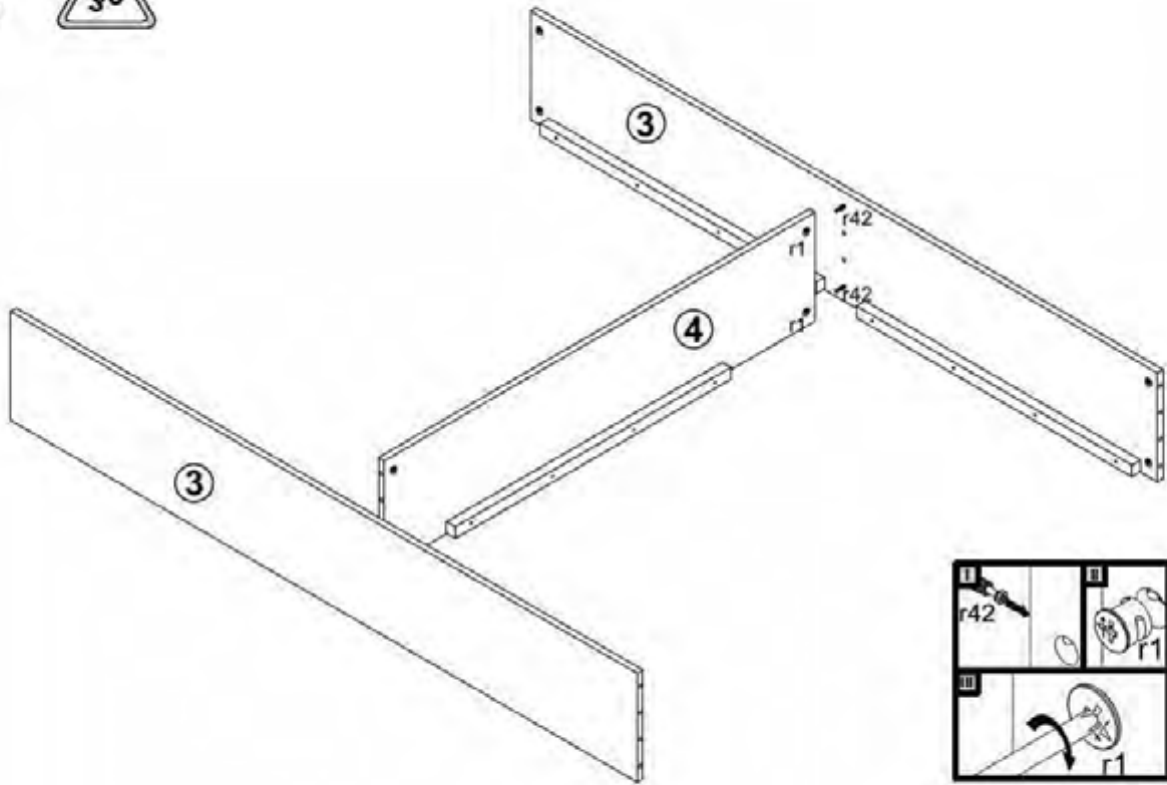
A	B	C	D
1	S205 047	1646	350 2/6
2	S205 048	1650	252 3/6
3	S205 170	1728	260 2/6
4	S205 171	1188	260 2/6
5	S205 172	2000	250 1/6
6	S205 173	2000	250 1/6
7	S205 174	1600	260 2/6
8	S205 707	1650	503 3/6
9	S205 511	760	28 2/6
10	S205 512	851	1178 4/6
11	S205 5584	1397	100 3/6
12	Основание с подъемн. мех.		5/6
13	п64		6/6



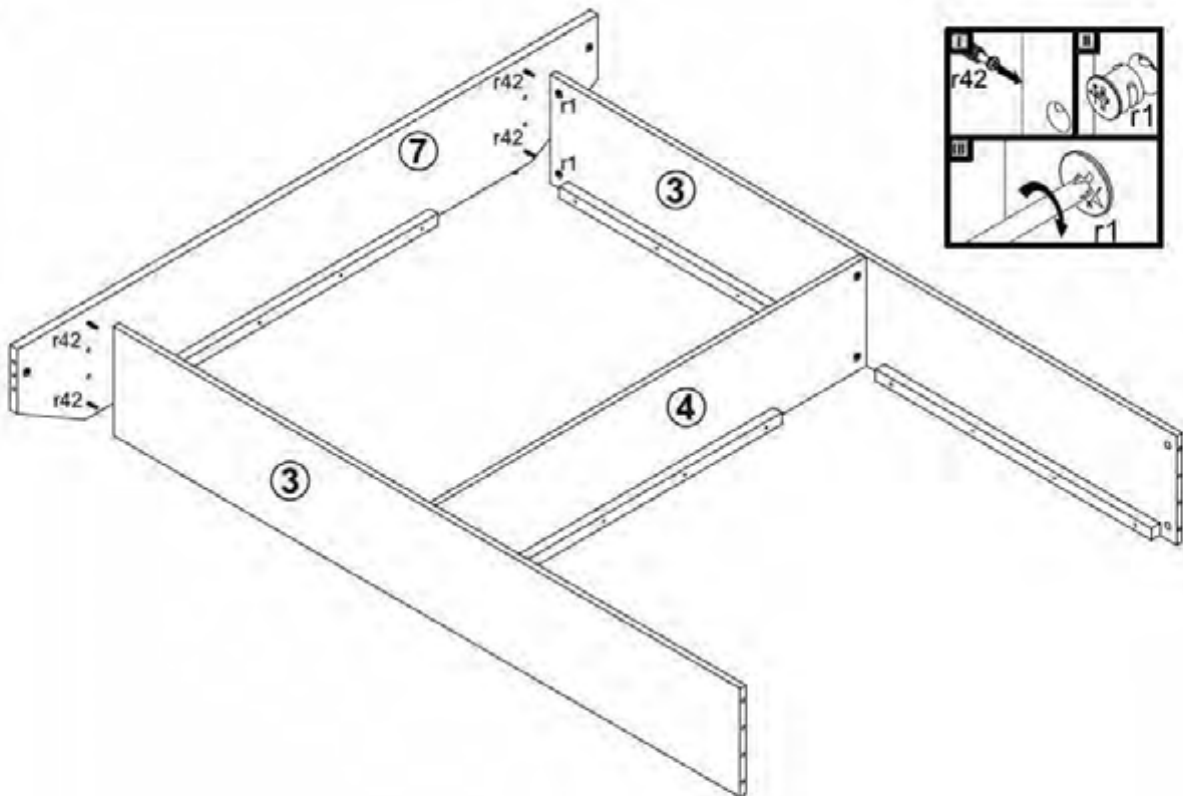
4x ø6,2x20 mm e17	54x ø6,3x13 mm e2	20x ø6x20 mm f1	8x j10	8x ø6x25 mm j115	4x 3x6x34 mm j117	10x k1	8x ø6x1,2x4 mm o40	4x ø12x8/8 mm o81
8x ø3,9x16 mm p38	24x ø1x31 mm p125	48x ø4x17 mm p26	4x ø10x16 mm r43	1x z1	12x ø5x12 mm ø16 r1	14x r42	4x 11x11x4/17 mm п106	

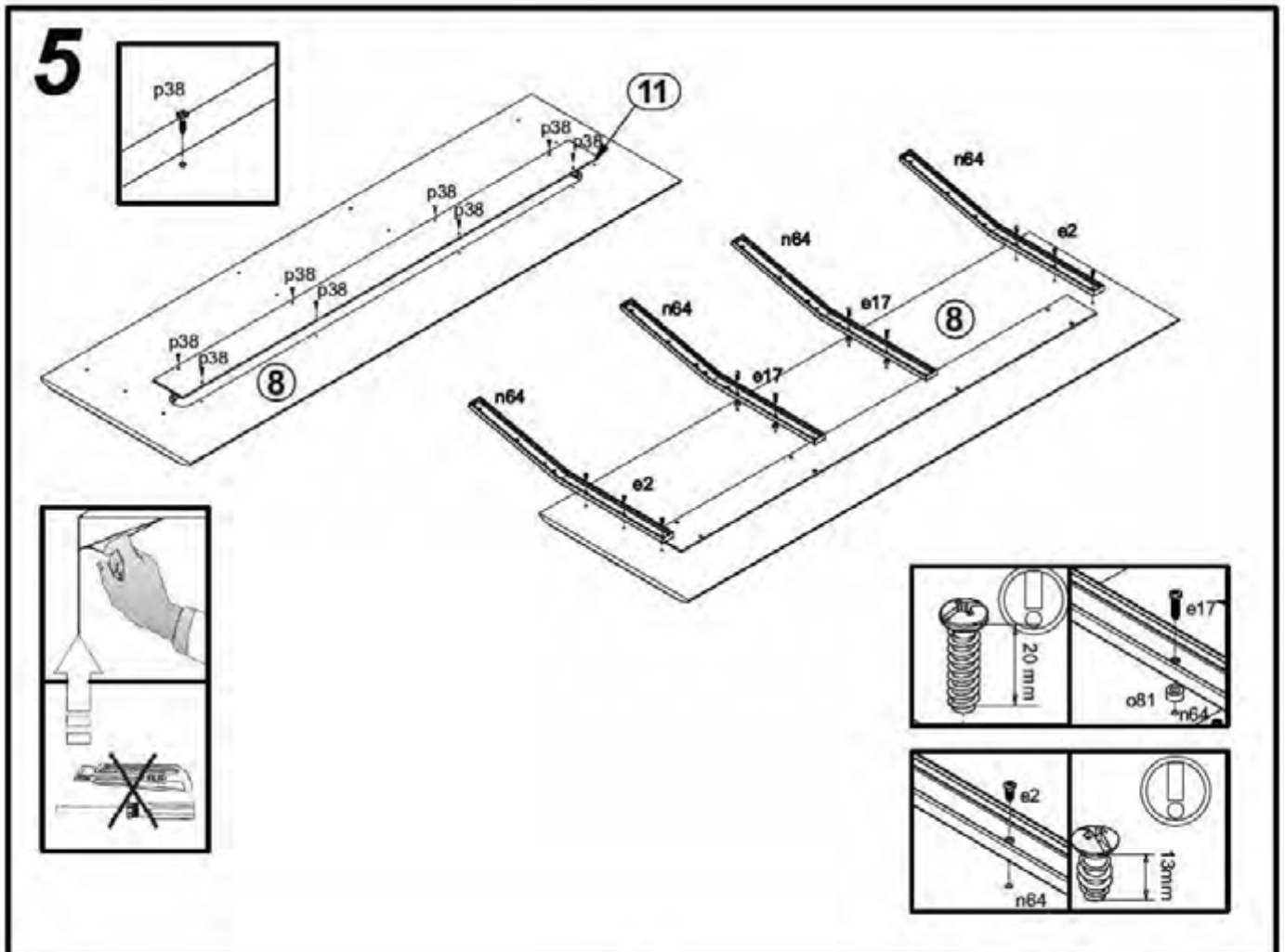
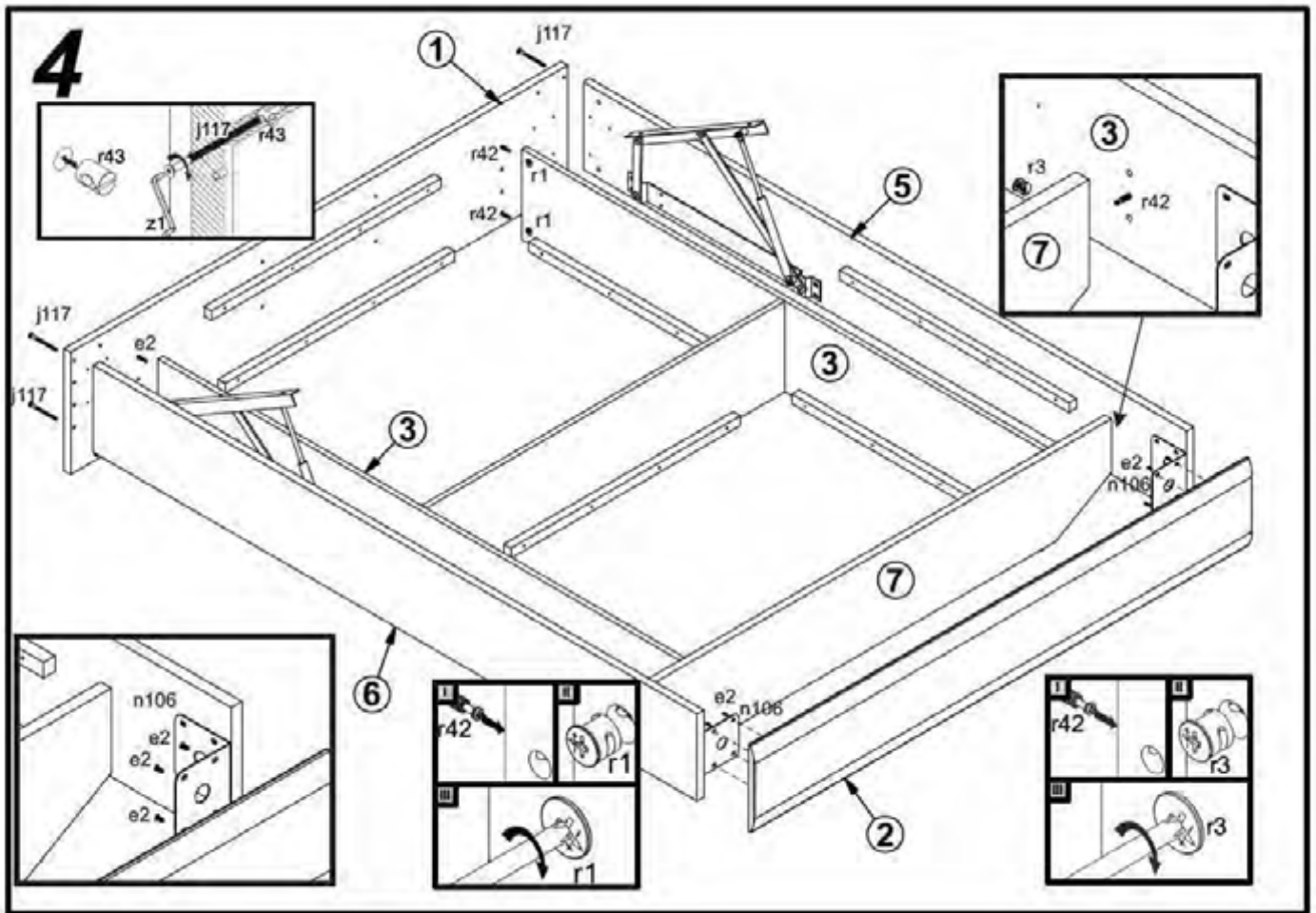


# 2

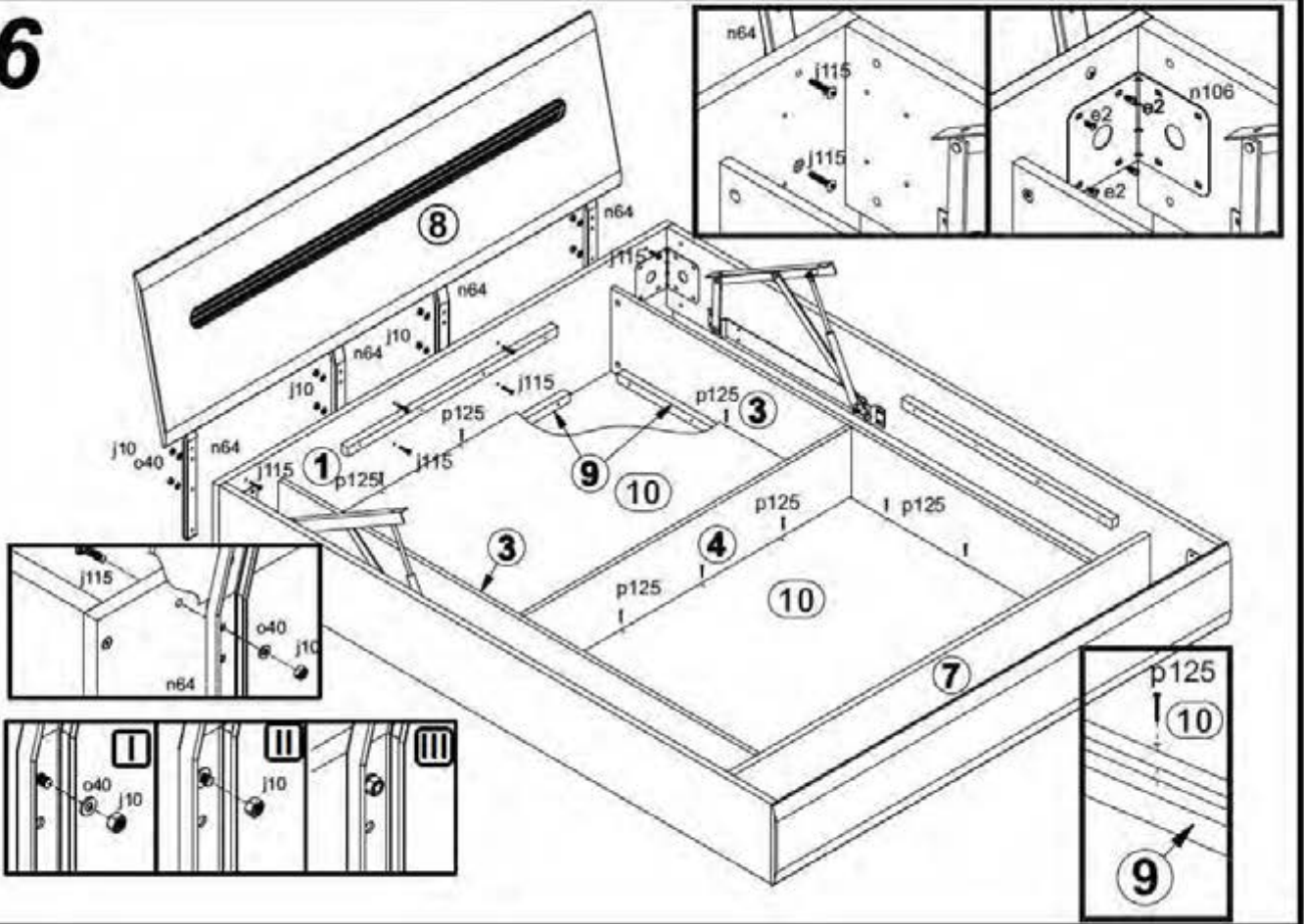


# 3





# 6



# 7

