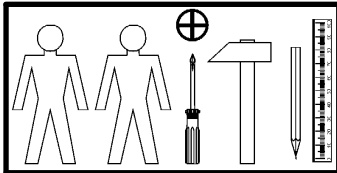
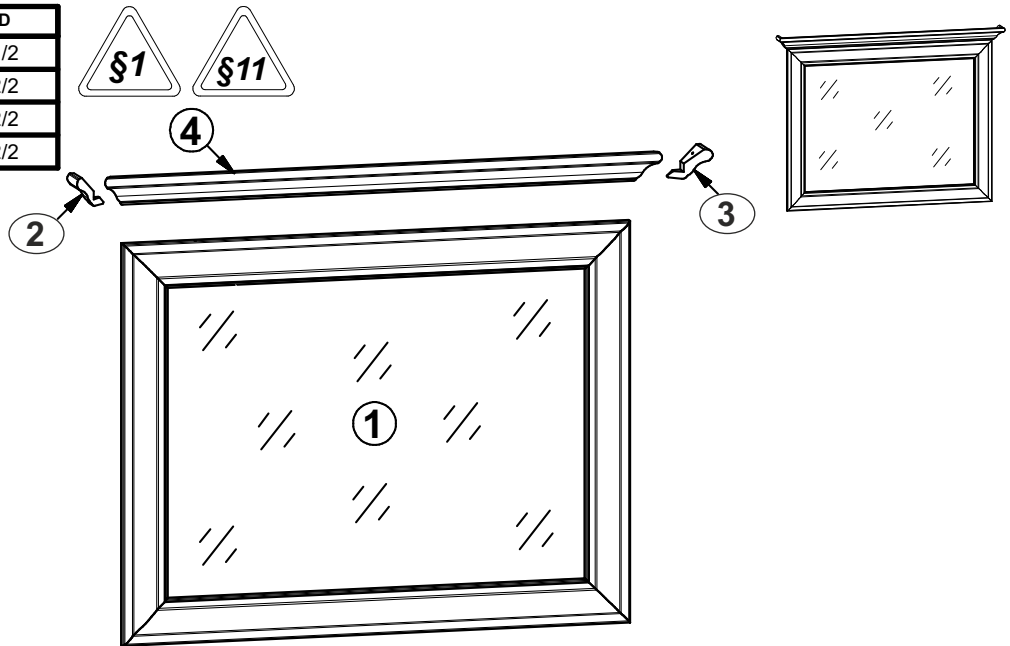
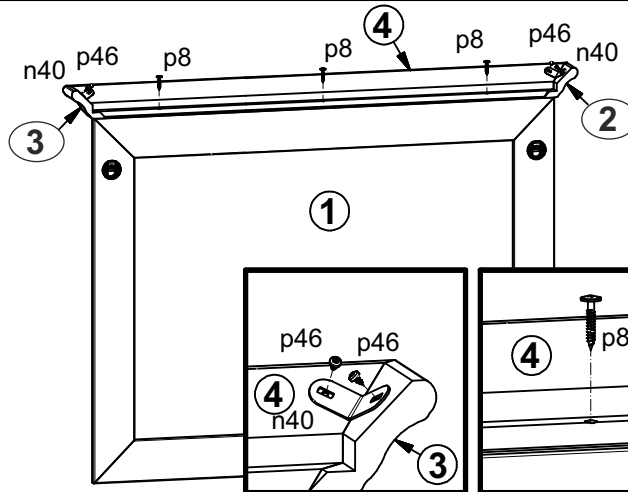


A	B	C		D
1	S320-4411	700	900	1/2
2	S320-526	64	80	2/2
3	S320-527	64	80	2/2
4	S320-533	988	80	2/2

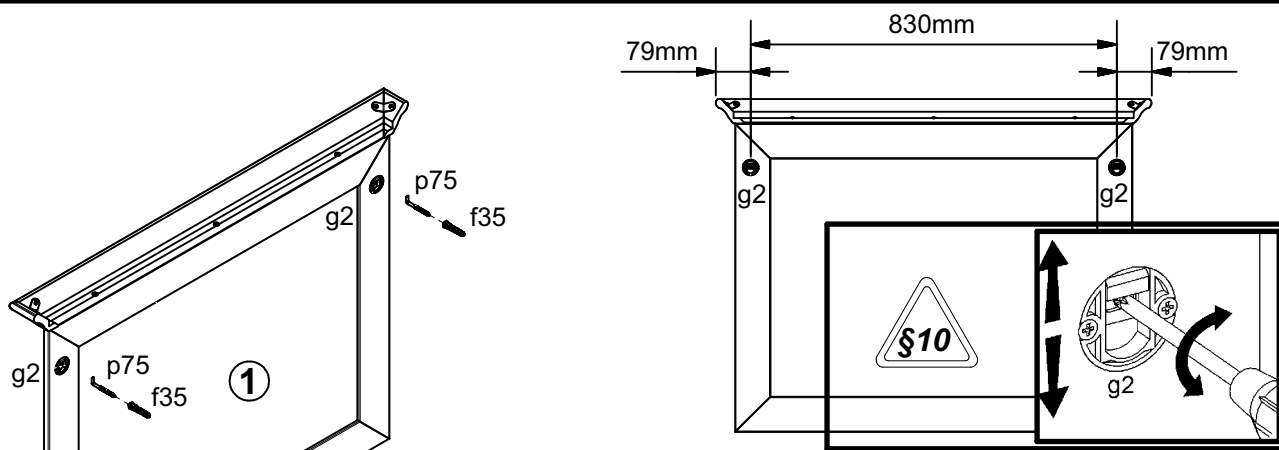


- 2x $\phi 6 \times 60$ mm p75
- 2x $\phi 10 \times 50$ mm f35
- 2x 26x26x16/1 - 12.5° n40
- 3x $\phi 4 \times 25$ mm p8
- 4x $\phi 3 \times 7$ mm p46

1



2



- §4
- $\phi 10$ mm
- f35
- f35 p75
- f35 p75