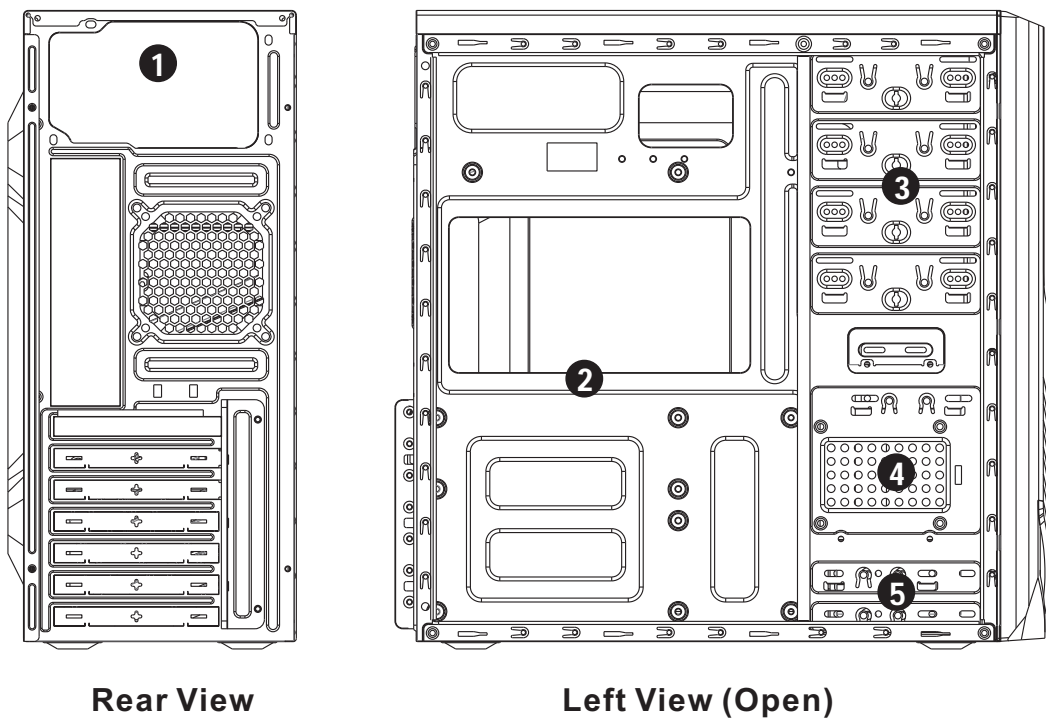
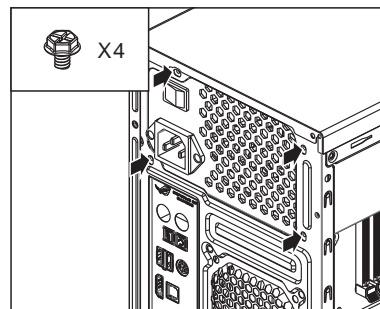


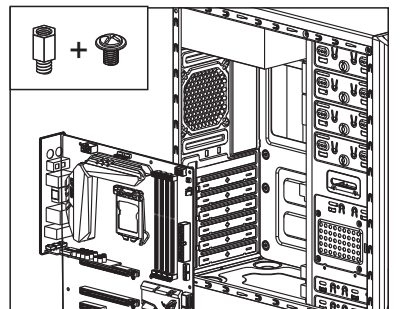
# USER'S MANUAL



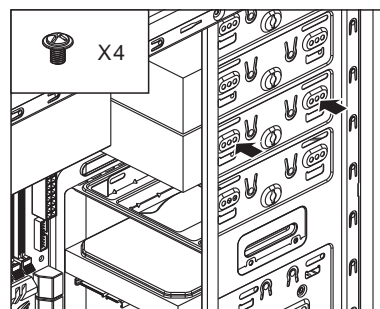
## 1. Install PSU



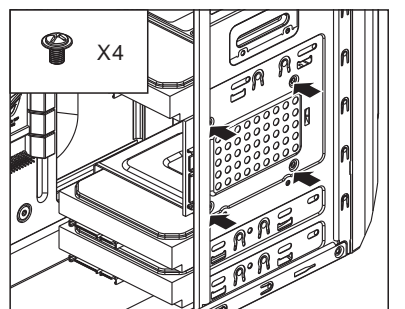
## 2. Install Motherboard



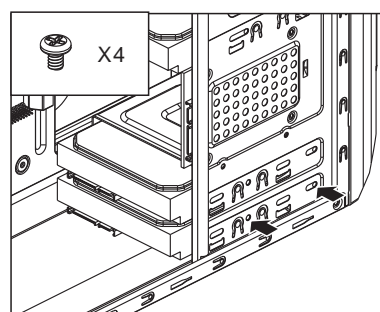
## 3. Install ODD



## 4. Install 2.5" SSD

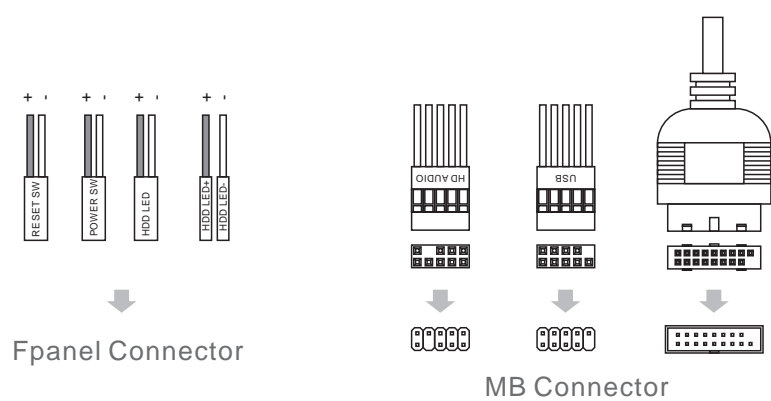


## 5. Install 3.5" HDD



# USER'S MANUAL

## Cable Connection for Front I/O



## Accessory Bag Contents

