



# OPERATOR'S MANUAL

MANUEL D'UTILISATION  
MANUAL DEL OPERADOR

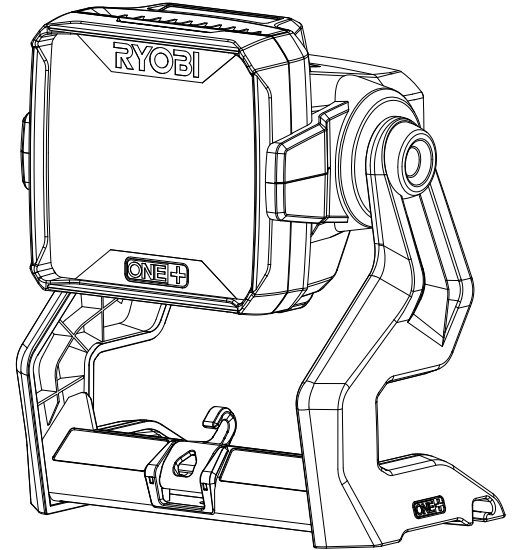
## 18 VOLT HYBRID LED WORK LIGHT

LAMPE DE TRAVAIL DEL HYBRIDE DE 18 V

LUZ DE TRABAJO DE LED DE HÍBRIDA DE 18 V

P720

EXTENSION CORDS NOT INCLUDED  
CORDON PROLONGATEURS PAS INCLUS  
CORDÓN DE EXTENSIÓN NO VIENEN INCLUIDAS



FOR INDOOR USE ONLY  
POUR L'UTILISATION À L'INTÉRIEUR SEULEMENT  
PARA USARSE SÓLO EN EL INTERIOR

### TABLE OF CONTENTS

\*\*\*\*\*

- Important Safety Instructions.....2-3
- LED Work Light Safety Warnings ..... 3
- Electrical..... 4
- Symbols.....5
- Assembly.....6
- Operation.....6-7
- Maintenance..... 7
- Illustrations .....8-9
- Parts Ordering / Service ..... Back Page

### TABLE DES MATIÈRES

\*\*\*\*\*

- Instructions importantes concernant la sécurité .....2-3
- Avertissements de sécurité relatifs Lampe de travail DEL..... 3
- Caractéristiques électriques..... 4
- Symboles.....5
- Assemblage.....6
- Utilisation.....6-7
- Entretien ..... 7
- Illustrations .....8-9
- Commande de pièces / réparation.....Page arrière

### ÍNDICE DE CONTENIDO

\*\*\*\*\*

- Instrucciones de seguridad importantes .....2-3
- Advertencias de seguridad para luz de trabajo de LED..... 3
- Aspectos eléctricos..... 4
- Símbolos .....5
- Armado.....6
- Funcionamiento.....6-7
- Mantenimiento..... 7
- Ilustraciones .....8-9
- Pedidos de piezas / servicio..... Pág. posterior

**WARNING:** To reduce the risk of injury, the user must read and understand the operator's manual before using this product.

**AVERTISSEMENT :** Pour réduire les risques de blessures, l'utilisateur doit lire et veiller à bien comprendre le manuel d'utilisation avant d'employer ce produit.

**ADVERTENCIA:** Para reducir el riesgo de lesiones, el usuario debe leer y comprender el manual del operador antes de usar este producto.

**SAVE THIS MANUAL FOR FUTURE REFERENCE**

**CONSERVER CE MANUEL POUR FUTURE RÉFÉRENCE**

**GUARDE ESTE MANUAL PARA FUTURAS CONSULTAS**

# IMPORTANT SAFETY INSTRUCTIONS

## WARNING!

**READ AND SAVE THESE INSTRUCTIONS.** Failure to follow all instructions listed below, may result in electric shock, fire and/or serious personal injury.

**Save all warnings and instructions for future reference.** The term “product” in the warnings refers to your mains-operated (corded) product or battery-operated (cordless) product.

## WORK AREA SAFETY

- **For light duty in normally dry locations.**
- **Keep your work area clean and well lit.** Cluttered benches and dark areas invite accidents.
- **Do not operate products in explosive atmospheres, such as in the presence of flammable liquids, gases, or dust.** products create sparks which may ignite the dust or fumes.
- **Keep children and bystanders away while operating a product.** Distractions can cause you to lose control.

## ELECTRICAL SAFETY

- **A battery operated product with integral batteries or a separate battery pack must be recharged only with the specified charger for the battery.** A charger that may be suitable for one type of battery may create a risk of fire when used with another battery.
- **Use battery only with charger listed.** For use with 18V nickel-cadmium and 18V lithium-ion battery packs, see tool/appliance/battery pack/charger correlation supplement 987000-432.
- **When using a power cord, protect the power cord from being walked on or pinched particularly at plugs, convenience receptacles, and the point where they exit from the product.**
- **Do not expose products to rain or wet conditions.** Water entering a product will increase the risk of electric shock.
- **Only hang or mount LED work light in an area where no electrical wires, utility cables, pipes, or other obstructions are located to avoid risk of electrocution or electric shock.**
- **Unplug this product during lightning storms or when not in use.**

## PERSONAL SAFETY

- **Do not overreach. Keep proper footing and balance at all times.** Proper footing and balance enable better control of the product in unexpected situations.
- **Do not use on a ladder or unstable support.** Stable footing on a solid surface enables better control of the product in unexpected situations.

## LED WORK LIGHT USE AND CARE

- **Do not use product if switch does not turn it on or off.** A product that cannot be controlled with the switch is dangerous and must be repaired.
- **Disconnect battery pack or extension cord from product before making any adjustments, changing accessories, or storing the product.** Such preventive safety measures reduce the risk of starting the product accidentally.
- **Keep the product and its handle dry, clean and free from oil and grease.** Always use a clean cloth when cleaning. Never use brake fluids, gasoline, petroleum-based products, or any strong solvents to clean your product. Following this rule will reduce the risk of loss of control and deterioration of the enclosure plastic.
- **To reduce the risk of electric shock, do not use this light near water, especially when it is powered by the power cord.**
- **Clean only with dry cloth.**
- **Do not operate near any heat sources such as radiators, heat registers, stoves, or other apparatus (including amplifiers) that produce heat.**

## BATTERY TOOL USE AND CARE

- **Recharge only with the charger specified by the manufacturer.** A charger that is suitable for one type of battery pack may create a risk of fire when used with another battery pack.
- **Use products only with specifically designated battery packs.** Use of any other battery packs may create a risk of injury and fire.
- **When battery pack is not in use, keep it away from other metal objects, like paper clips, coins, keys, nails, screws or other small metal objects, that can make a connection from one terminal to another.** Shorting the battery terminals together may cause burns or a fire.
- **Under abusive conditions, liquid may be ejected from the battery; avoid contact. If contact accidentally occurs, flush with water. If liquid contacts eyes, additionally seek medical help.** Liquid ejected from the battery may cause irritation or burns.

## SERVICE

- **Product service must be performed only by qualified repair personnel.** Service or maintenance performed by unqualified personnel may result in a risk of injury.
- **When servicing the product, use only identical replacement parts. Follow instructions in the Maintenance section of this manual.** Use of unauthorized parts or failure to follow Maintenance Instructions may create a risk of shock or injury.

# LED WORK LIGHT SAFETY WARNINGS

- **Know your product. Read operator's manual carefully. Learn its applications and limitations, as well as the specific potential hazards related to this product.** Following this rule will reduce the risk of electric shock, fire, or serious injury.
- **Do not permit children to use work light.** It is not a toy.
- **Carefully position the power cord during use.** A power cord in your walking path can be a tripping hazard.
- **If wrapped or in contact with fabrics, the work light lens can produce sufficient heat to melt some fabrics.** To avoid serious personal injury, never allow the work light lens to come in contact with anything.
- **Do not place hands or fingers between adjustable head and frame when positioning work light to avoid possible pinching.**
- **Battery tools do not have to be plugged into an electrical outlet; therefore, they are always in operating condition.** Be aware of possible hazards when not using your battery tool or when changing accessories. Following this rule will reduce the risk of electric shock, fire, or serious personal injury.
- **Do not place the product or their batteries near fire or heat.** This will reduce the risk of explosion and possibly injury.
- **Do not crush, drop or damage battery pack. Do not use a battery pack or charger that has been dropped or received a sharp blow.** A damaged battery is subject to explosion. Properly dispose of a dropped or damaged battery immediately.
- **Batteries can explode in the presence of a source of ignition, such as a pilot light.** To reduce the risk of serious personal injury, never use any cordless product in the presence of open flame. An exploded battery can propel debris and chemicals. If exposed, flush with water immediately.
- **Do not charge product battery in a damp or wet location.** Following this rule will reduce the risk of electric shock.
- **For best results, your battery should be charged in a location where the temperature is more than 50°F but less than 100°F. Do not store outside or in vehicles.**
- **Under extreme usage or temperature conditions, battery leakage may occur. If liquid comes in contact with your skin, wash immediately with soap and water, then neutralize with lemon juice or vinegar. If liquid gets into your eyes, flush them with clean water for at least 10 minutes, then seek immediate medical attention.** Following this rule will reduce the risk of serious personal injury.
- **Do not incinerate the battery even if it is severely damaged.** The batteries can explode in a fire.
- **To reduce the risk of fire or electric shock, do not use this product with any solid-state speed control device.**
- **To reduce the risk of personal injury and electric shock, the product should not be played with or placed where small children can reach it.**
- **To reduce the risk of electric shock, do not expose to water or rain.**
- **Save these instructions.** Refer to them frequently and use them to instruct others who may use this tool. If you loan someone this tool, loan them these instructions also to prevent misuse of the product and possible injury.

# ELECTRICAL

## DOUBLE INSULATION

Double insulation is a concept in safety in electric products, which eliminates the need for the usual three-wire grounded power cord. All exposed metal parts are isolated from the internal metal motor components with protecting insulation. Double insulated products do not need to be grounded.

### WARNING:

The double insulated system is intended to protect the user from shock resulting from a break in the product's internal wiring. Observe all normal safety precautions to avoid electrical shock.

**NOTE:** Servicing of a product with double insulation requires extreme care and knowledge of the system and should be performed only by a qualified service technician. For service, we suggest you return the product to your nearest authorized service center for repair. Always use original factory replacement parts when servicing.

## ELECTRICAL CONNECTION

This product should be connected to a **power supply that is 120 volts, AC only (normal household current), 60 Hz.** Do not operate this product on direct current (DC) through the power cord. A substantial voltage drop will cause a loss of power and the motor will overheat. If the product does not operate when plugged into an outlet, double-check the power supply.

## EXTENSION CORDS

When using a product at a considerable distance from a power source, be sure to use an extension cord that has the capacity to handle the current the product will draw. An undersized cord will cause a drop in line voltage, resulting in overheating and loss of power. Use the chart to determine

the minimum wire size required in an extension cord. Only round jacketed cords listed by Underwriter's Laboratories (UL) should be used.

Use an extension cord that is designed for outside use. This type of cord is designated with "WA" or "W" on the cord's jacket.

Before using any extension cord, inspect it for loose or exposed wires and cut or worn insulation.

\*\*Ampere rating (on product data plate)

Cord Length	Wire Size (A.W.G.)					
	0-2.0	2.1-3.4	3.5-5.0	5.1-7.0	7.1-12.0	12.1-16.0
25'	16	16	16	16	14	14
50'	16	16	16	14	14	12
100'	16	16	14	12	10	—

\*\*Used on 12 gauge - 20 amp circuit

**NOTE:** AWG = American Wire Gauge

### WARNING:

Keep the extension cord clear of the working area. Position the cord so that it will not get caught on lumber, tools, or other obstructions while you are working with this product. Failure to do so can result in serious personal injury.

### WARNING:

Check extension cords before each use. If damaged replace immediately. Never use a product with a damaged cord since touching the damaged area could cause electrical shock resulting in serious injury.




## CALIFORNIA PROPOSITION 65

### WARNING:







This product may contain chemicals, including lead, known to the State of California to cause cancer, birth defects or other reproductive harm. **Wash hands after handling.**

# SYMBOLS

The following signal words and meanings are intended to explain the levels of risk associated with this product.

SYMBOL	SIGNAL	MEANING
	<b>DANGER:</b>	Indicates an imminently hazardous situation, which, if not avoided, will result in death or serious injury.
	<b>WARNING:</b>	Indicates a potentially hazardous situation, which, if not avoided, could result in death or serious injury.
	<b>CAUTION:</b>	Indicates a potentially hazardous situation, which, if not avoided, may result in minor or moderate injury.
	<b>NOTICE:</b>	(Without Safety Alert Symbol) Indicates important information not related to an injury hazard, such as a situation that may result in property damage.

Some of the following symbols may be used on this product. Please study them and learn their meaning. Proper interpretation of these symbols will allow you to operate the product better and safer.

SYMBOL	NAME	DESIGNATION/EXPLANATION
	Safety Alert	Indicates a potential personal injury hazard.
	Read Operator's Manual	To reduce the risk of injury, user must read and understand operator's manual before using this product.
	Wet Conditions Alert	Do not expose to rain or use in damp locations.
	Electric Shock	To reduce the risk of electrocution or electric shock, keep away from water and do not use with damaged power cord.
	Recycle Symbols	This product uses nickel-cadmium (Ni-Cd) and lithium-ion (Li-ion) batteries. Local, state or federal laws may prohibit disposal of batteries in ordinary trash. Consult your local waste authority for information regarding available recycling and/or disposal options.
V	Volts	Voltage
A	Amperes	Current
Hz	Hertz	Frequency (cycles per second)
W	Watt	Power
min	Minutes	Time
≡	Direct Current	Type or a characteristic of current
~	Alternating Current	Type of current
	Class II Tool	Double-insulated construction

# ASSEMBLY

## WARNING:

Do not use this product if it is not completely assembled or if any parts appear to be missing or damaged. Use of a product that is not properly and completely assembled or with damaged or missing parts could result in serious personal injury.

## WARNING:

Do not attempt to modify this product or create accessories or attachments not recommended for use with this product. Any such alteration or modification is misuse and could result in a hazardous condition leading to possible serious personal injury.

If any parts are damaged or missing, please call 1-800-525-2579 for assistance.

# OPERATION

## WARNING:

Do not direct the light beam at persons or animals and do not stare into the light beam yourself (not even from a distance). Staring into the light beam may result in serious injury or vision loss.

## WARNING:

Do not allow familiarity with tools to make you careless. Remember that a careless fraction of a second is sufficient to inflict serious injury.

## WARNING:

Do not use any attachments or accessories not recommended by the manufacturer of this tool. The use of attachments or accessories not recommended can result in serious personal injury.

- Depress the latches to remove the battery pack.

## WARNING:

Always remove battery pack or unplug extension cord from your product when you are assembling parts, making adjustments, cleaning, or when not in use. Removing battery pack or unplugging extension cord will prevent accidental starting that could cause serious personal injury.

**NOTE:** The battery pack should be recharged after approximately 5 hours of use to reduce the possibility of damage. Repeated deep discharge of the battery may decrease storage capacity and battery life.

## INSTALLING/REMOVING POWER CORD

See Figure 2, page 8.

## WARNING:

Do not route cord under carpets, rugs, runners, furniture, or appliances and always route cord away from traffic areas to prevent a tripping hazard.

## APPLICATIONS

You may use this tool for the purpose listed below:

- General illumination of most work area spaces

## NOTICE:

This product is designed to be powered by either a Ryobi One+ 18V battery pack (DC mode) or by electric power (AC mode). Either power source can be used by installing an approved battery pack or power cord into the product as described in this manual.

## INSTALLING/REMOVING BATTERY PACK

See Figure 1, page 8.

- Insert the battery pack into the product as shown.
- Make sure the latches on each side of the battery pack snap into place and the battery pack is secured before beginning operation.

- Route the power cord through the cord retainer.
- Insert the female end of the power cord into the product as shown.
- Connect the male end of the power cord to the power source.
- Make sure the power cord is secured before beginning operation.

## STARTING/STOPPING THE LED WORK LIGHT

See Figure 3, page 8.

- Connect the product to an AC or DC power supply.
- To start the work light, press the ON/OFF button.
- To stop the work light, press the ON/OFF button.

# OPERATION

## **WARNING:**

Hybrid tools are always in operating condition. Therefore, unit should always be in the OFF status, with the battery pack removed and power cord disconnected, when not in use. Do not leave light on while unattended. Failure to follow these instructions could result in serious personal injury.

## **WARNING:**

Keep work light away from combustible materials. If wrapped or in contact with fabrics, the work light lens can produce sufficient heat to melt some fabrics. To avoid serious personal injury, never allow the work light lens to come in contact with anything.

## TO HANG THE LED WORK LIGHT

See Figure 4, page 9.

## **WARNING:**

Only hang or mount LED work light in an area where no electrical wires, utility cables, pipes, or other obstructions are located. Contact your local utility company or a qualified electrician if you are unsure. Do not hang work light from any electrical power cord. Ensure work light is securely installed to prevent falling object hazard. Failure to follow these instructions can result in electrocution, electrical shock, or other serious personal injury.

## Using the J Hook to hang the work light:

- Lift the J hook from the slot.
- Use the J hook to hang the work light. You may use a screw to secure the work light in place. Do not overtighten.

**NOTE:** Be careful not to hang the work light in such a way that it prevents normal work light operation or damages the cord.

## Using the mounting holes to hang the light:

- Hang work light from sturdy location using screws in mounting holes to secure in place. Do not overtighten.

**NOTE:** Be careful not to hang the work light in such a way that it prevents normal work light operation or damages the cord.

## Using the cord retainer to hang the light:

- Hang the work light from a fence, hook the cord retainer on fence

## Mounting the work light to a tripod:

- Screw tripod into hole on the base of the light.

## ADJUSTABLE HEAD

See Figure 4, page 9.

## **CAUTION:**

Do not place hands or fingers between adjustable head and frame when positioning work light to avoid pinching your fingers or hands.

The work light head can be set in a variety of positions. To switch base positions, loosen the knob. Adjust head to desired position, tighten the knob.

# MAINTENANCE

## **WARNING:**

When servicing, use only identical replacement parts. Use of any other parts could create a hazard or cause product damage.

## STORING THE WORK LIGHT

Store indoors in a dry, locked up place—out of the reach of children with the battery pack removed and power cord disconnected. Keep away from corrosive agents such as garden chemicals and de-icing salts.

## GENERAL MAINTENANCE

Avoid using solvents when cleaning plastic parts. Most plastics are susceptible to damage from various types of commercial solvents and may be damaged by their use. Use clean cloths to remove dirt, dust, oil, grease, etc.

**NOTE: ILLUSTRATIONS START ON PAGE 8  
AFTER FRENCH AND SPANISH LANGUAGE SECTIONS.**



## AVERTISSEMENT !

**LIRE ET CONSERVER CES INSTRUCTIONS.** Le non respect de toutes les instructions ci-dessous peut entraîner un choc électrique, un incendie et / ou des blessures graves.

**Conserver les avertissements et les instructions à des fins de référence ultérieure.** Le terme « produit », utilisé dans tous les avertissements ci-dessous désigne tout outil fonctionnant sur secteur (câblé) ou sur piles (sans fil).

## SÉCURITÉ DU LIEU DE TRAVAIL

- **Pour une utilisation légers dans des endroits normalement sèches.**
- **Garder le lieu de travail propre et bien éclairé.** Les établis encombrés et les endroits sombres sont propices aux accidents.
- **Ne pas utiliser produit dans des atmosphères explosives, par exemple en présence de liquides, gaz ou poussières inflammables.** produit produisent des étincelles risquant d'enflammer les poussières ou vapeurs.
- **Garder les enfants et badauds à l'écart pendant l'utilisation d'un outil électrique.** Les distractions peuvent causer une perte de contrôle.

## SÉCURITÉ ÉLECTRIQUE

- **Les piles des produit, qu'elles soient intégrées ou amovibles, ne doivent être rechargées qu'avec l'appareil spécifié.** Un chargeur approprié pour un type de pile peut créer un risque d'incendie s'il est utilisé avec un autre type de pile.
- **Ne recharger les piles qu'avec l'appareil indiqué.** Pour utiliser l'appareil avec des piles au nickel-cadmium et au lithium-ion de 18 V, consulter le supplément de raccordement pour chargeur/outils/piles/appareil n° 987000-432.
- **Lorsque vous utilisez un cordon d'alimentation, protéger le cordon d'alimentation pour que personne ne marche dessus ou ne le pince, en particulier au niveau des fiches, des prises de courant et des points où il sort de l'appareil.**
- **Ne pas exposer les outils électriques à l'eau ou l'humidité.** La pénétration d'eau dans ces outils accroît le risque de choc électrique.
- **Suspendre ou monter seulement la lampe de travail DEL dans un endroit sans fils électriques, où se trouvent des câbles de service utilitaire ou d'autres obstructions pour éviter le risque d'électrocution ou de décharge électrique.**
- **Débrancher cet appareil pendant les orages électriques ou lorsque l'outil n'est pas utilisé.**

## SÉCURITÉ PERSONNELLE

- **Ne pas travailler hors de portée. Toujours se tenir bien campé et en équilibre.** Une bonne tenue et un bon équilibre permettent de mieux contrôler le produit en cas de situation imprévue.
- **Ne pas utiliser le produit sur une échelle ou un support instable.** Une bonne tenue et un bon équilibre permettent de mieux contrôler le produit en cas de situation imprévue.

## UTILISATION ET ENTRETIEN DE LAMPE DE TRAVAIL DEL

- **Ne pas utiliser le produit si le commutateur ne permet pas de le mettre en marche ou de l'arrêter.** Un produit qui ne peut pas être contrôlé par son commutateur est dangereux et doit être réparé.
- **Déconnecter les blocs-piles o cordon prolongateur avant d'effectuer des réglages, de changer d'accessoire ou de remiser le produit.** Ces mesures de sécurité réduisent les risques de démarrage accidentel du produit.
- **Garder le produit et sa poignée secs, propres et exempts d'huile ou de graisse.** Toujours utiliser un chiffon propre pour le nettoyage. Ne jamais utiliser de liquide de freins, d'essence, de produits à base de pétrole ou de solvants forts pour nettoyer produit. Le respect de ces règles réduira les risques de perte de contrôle et d'endommagement du boîtier en plastique.
- **Pour réduire le risque de décharge électrique, ne pas utiliser le produit près de l'eau surtout s'il est alimenté par le cordon d'alimentation.**
- **Ne nettoyer l'appareil qu'avec un chiffon sec.**
- **Ne pas installer l'appareil près de sources de chaleur telles que radiateurs, bouches de chaleurs, poêles ni d'autres appareils (y compris les amplificateurs) qui produisent de la chaleur.**

## UTILISATION ET ENTRETIEN DE LA PILE

- **Ne recharger qu'avec l'appareil spécifié par le fabricant.** Un chargeur approprié pour un type de pile peut créer un risque d'incendie s'il est utilisé avec un autre type de pile.
- **Utiliser exclusivement le bloc-pile spécifiquement indiqué pour l'outil.** L'usage de tout autre bloc peut créer un risque de blessures et d'incendie.
- **Lorsque le bloc-piles n'est pas en usage, le garder à l'écart d'articles tels qu'attaches trombones, pièces de monnaie, clous, vis ou autres petits objets métalliques risquant d'établir le contact entre les deux bornes.** La mise en court-circuit des bornes de piles peut causer des étincelles, des brûlures ou un incendie.



# INSTRUCTIONS IMPORTANTES CONCERNANT LA SÉCURITÉ

- En cas d'usage abusif, du liquide peut s'échapper des piles. Éviter tout contact avec ce liquide. En cas de contact accidentel, rincer immédiatement les parties atteintes avec de l'eau. En cas d'éclaboussure dans les yeux consulter un médecin. Le liquide s'échappant des piles peut causer des irritations ou des brûlures.
- Utiliser exclusivement des pièces identiques à celles d'origine pour les réparations. Se conformer aux instructions de la section Entretien de ce manuel. L'usage de pièces non autorisées ou le non-respect des instructions peut présenter des risques de choc électrique ou de blessures.

## DÉPANNAGE

- Le dépannage des produits doit être confié exclusivement à un personnel qualifié. Les réparations ou entretiens effectués par des personnes non qualifiées présentent des risques de blessures.

## AVERTISSEMENTS DE SÉCURITÉ RELATIFS LAMPE DE TRAVAIL DEL

- Apprendre à connaître le produit. Lire attentivement le manuel d'utilisation. Apprendre les applications et les limites du produit, ainsi que les risques spécifiques relatifs à son utilisation. Le respect de cette consigne réduira les risques d'incendie, de choc électrique et de blessures graves.
- Ne pas laisser les enfants utiliser la lampe de travail. Ce n'est pas un jouet.
- Placer soigneusement le cordon d'alimentation lors de l'utilisation. Un cordon d'alimentation gênant le déplacement représente un risque de chute.
- Si la lampe est enveloppée ou en contact avec un tissu, le diffuseur peut dégager une chaleur suffisante pour fondre certains matériaux. Pour éviter des blessures graves, ne jamais laisser le diffuseur de la lampe entrer en contact avec quoi que ce soit.
- Ne pas placer les mains ou les doigts entre la tête et le cadre réglables lorsque de son positionnement pour éviter les pincements.
- Les outils fonctionnant sur piles n'ayant pas besoin d'être branchés sur une prise de courant, ils sont toujours en état de fonctionnement. Tenir compte des dangers possibles lorsque l'produit n'est pas en usage et lors du remplacement des piles. Le respect de cette consigne réduira les risques d'incendie, de choc électrique et de blessures graves.
- Ne pas placer les produits sans fil ou leurs piles à proximité de flammes ou d'une source de chaleur. Ceci réduira les risques d'explosion et de blessures.
- Ne pas écraser, faire tomber ou endommager le bloc de piles. Ne pas utiliser un bloc de piles ou un chargeur endommagé ou soumis à un choc violent. Une pile endommagée risque d'exploser. Éliminer immédiatement toute pile endommagée, selon une méthode appropriée.
- Les piles peuvent exploser en présence d'une source d'allumage, telle qu'une veilleuse. Pour réduire les risques de blessures graves, ne jamais utiliser un appareil sans fil, quel qu'il soit, en présence d'une flamme vive. En explosant, une pile peut projeter des débris et des produits chimiques. En cas d'exposition, rincer immédiatement les parties atteintes avec de l'eau.
- Ne pas recharger un produit fonctionnant sur piles dans un endroit humide ou mouillé. Le respect de cette règle réduira les risques de choc électrique.
- Pour un résultat optimal, les piles doivent être rechargées dans un local où la température est de 10 à 38 °C (50 à 100° F). Ne pas ranger le produit à l'extérieur ou dans un véhicule.
- Si le produit est utilisé de façon intensive ou sous des températures extrêmes, des fuites de pile peuvent se produire. En cas de contact du liquide avec la peau, rincer immédiatement la partie atteinte avec de l'eau savonneuse, puis neutraliser avec du jus de citron ou du vinaigre. En cas d'éclaboussure dans les yeux, les rincer à l'eau fraîche pendant au moins 10 minutes, puis contacter immédiatement un médecin. Le respect de cette consigne réduira les risques de blessures graves.
- Ne pas incinérer les piles même s'il est très endommagé. Les piles peuvent exploser dans le feu.
- Pour réduire les risques d'incendie et de choc électrique, ne pas utiliser de produit avec un dispositif de contrôle de vitesse à circuit solide.
- Pour réduire le risque de blessure et de chocs électriques, le produit ne doit pas être utilisé comme un jouet ou placé à portée des enfants.
- Pour réduire le risque de chocs électriques, ne pas exposer à l'eau ou à la pluie.
- Conserver ces instructions. Les consulter fréquemment et les utiliser pour instruire les autres utilisateurs éventuels. Si cet outil est prêté, il doit être accompagné de ces instructions, afin d'éviter un usage incorrect et d'éventuelles blessures.

# CARACTÉRISTIQUES ÉLECTRIQUES

## DOUBLE ISOLATION

La double isolation est un dispositif de sécurité utilisé sur les produits à moteur électriques, éliminant le besoin de cordon d'alimentation habituel à trois fils avec terre. Toutes les pièces métalliques exposées sont isolées des composants internes du moteur par l'isolation protectrice. Les produits à double isolation ne nécessitent pas de mise à la terre.

### AVERTISSEMENT :

Le système à double isolation est conçu pour protéger l'utilisateur contre les chocs électriques causés par une rupture du câblage interne de l'produit. Prendre toutes les précautions de sécurité normales pour éviter les chocs électriques.

**NOTE :** La réparation d'un produit à double isolation exigeant des précautions extrêmes ainsi que la connaissance du système, elle ne doit être confiée qu'à un réparateur qualifié. En ce qui concerne les réparations, nous recommandons de confier l'produit au centre de réparation le plus proche. Utiliser exclusivement des pièces d'origine pour les réparations.

## CONNEXIONS ÉLECTRIQUES

Il doit être branché uniquement sur **une alimentation 120 V, 60 Hz, c.a. (courant résidentiel standard)**. Ne pas l'utiliser sur une source de courant continu (c.c.) en le reliant par le cordon d'alimentation. Une chute de tension importante causerait une perte de puissance et une surchauffe du moteur. Si l'produit ne fonctionne pas une fois branché, vérifier l'alimentation électrique.

## CORDONS PROLONGATEURS

Lors de l'utilisation d'un outil électrique à grande distance d'une prise secteur, veiller à utiliser un cordon prolongateur d'une capacité suffisante pour supporter l'appel de courant de l'produit. Un cordon de capacité insuffisante causerait une baisse de la tension de ligne, entraînant une perte de puissance et une surchauffe. Se reporter au tableau ci-dessous pour déterminer le calibre minimum de fil requis pour

un cordon donné. Utiliser exclusivement des cordons à gaine cylindrique homologués par Underwriter's Laboratories (UL). Utiliser un cordon prolongateur spécialement conçu à cet effet. Ce type de cordon porte l'inscription « WA » ou « W » sur sa gaine.

Avant d'utiliser un cordon prolongateur, vérifier que ses fils ne sont ni détachés ni exposés et que son isolation n'est ni coupée, ni usée.

\*\*Intensité nominale (sur la plaquette signalétique de l'produit)

Longueur du cordon	Calibre de fil (A.W.G.)					
	0-2,0	2,1-3,4	3,5-5,0	5,1-7,0	7,1-12,0	12,1-16,0
25'	16	16	16	16	14	14
50'	16	16	16	14	14	12
100'	16	16	14	12	10	—

\*\*Utilisé sur circuit de calibre 12 – 20 A

**NOTE :** AWG = American Wire Gauge

### AVERTISSEMENT :

Maintenir le cordon prolongateur à l'écart de la zone de travail. Lors du travail avec un cordon électrique, placer le cordon de manière à ce qu'il ne risque pas de se prendre dans les pièces de bois, produits et autres obstacles. Ne pas prendre cette précaution peut entraîner des blessures graves.

### AVERTISSEMENT :

Vérifier l'état des cordons prolongateurs avant chaque utilisation. Remplacer immédiatement tout cordon endommagé. Ne jamais utiliser un produit dont le cordon d'alimentation est endommagé, car tout contact avec la partie endommagée pourrait causer un choc électrique et des blessures graves.




## PROPOSITION 65 DE L'ÉTAT DE CALIFORNIE

### AVERTISSEMENT :







Ce produit peut contenir des produits chimiques, notamment du plomb qui, selon l'État de la Californie, peuvent causer le cancer, des anomalies congénitales et d'autres dommages au système reproducteur. **Bien se laver les mains après toute manipulation.**

# SYMBOLES

Les termes de mise en garde suivants et leur signification ont pour but d'expliquer le degré de risques associé à l'utilisation de ce produit.

SYMBOLE	SIGNAL	SIGNIFICATION
	<b>DANGER :</b>	Indique une situation extrêmement dangereuse qui, si elle n'est pas évitée, aura pour conséquences des blessures graves ou mortelles.
	<b>AVERTISSEMENT :</b>	Indique une situation potentiellement dangereuse qui, si elle n'est pas évitée, pourrait entraîner des blessures graves ou mortelles.
	<b>ATTENTION :</b>	Indique une situation potentiellement dangereuse qui, si elle n'est pas évitée, pourrait entraîner des blessures légères ou de gravité modérée.
	<b>AVIS :</b>	(Sans symbole d'alerte de sécurité) Indica información importante no relacionada con ningún peligro de lesiones, como una situación que puede ocasionar daños físicos.

Certains des symboles ci-dessous peuvent être utilisés sur produit. Veiller à les étudier et à apprendre leur signification. Une interprétation correcte de ces symboles permettra d'utiliser produit plus efficacement et de réduire les risques.

SYMBOLE	NOM	DÉSIGNATION / EXPLICATION
	Symbole d'alerte de sécurité	Indique un risque de blessure potentiel.
	Lire le manuel d'utilisation	Pour réduire les risques de blessures, l'utilisateur doit lire et veiller à bien comprendre le manuel d'utilisation avant d'utiliser ce produit.
	Avertissement concernant l'humidité	Ne pas exposer à la pluie ou l'humidité.
	Choc électrique	Pour réduire le risque d'électrocution ou de décharge électrique, garder la lampe éloignée de l'eau et ne pas l'utiliser lorsque le cordon d'alimentation est endommagé.
	Symboles de recyclage	Ce produit utilise les piles de nickel-cadmium (Ni-Cd) ou lithium-ion (Li-ion). Les réglementations locales ou gouvernementales peuvent interdire de jeter les piles dans les ordures ménagères. Consulter les autorités locales compétentes pour les options de recyclage et/ou l'élimination.
V	Volts	Tension
A	Ampères	Intensité
Hz	Hertz	Fréquence (cycles par seconde)
W	Watt	Alimentation
min	Minutes	Temps
—	Courant continu	Type ou caractéristique du courant
~	Courant alternatif	Type de courant
	Outil de la classe II	Construction à double isolation

# ASSEMBLAGE

## AVERTISSEMENT :

Ne pas utiliser le produit s'il n'est pas complètement assemblé ou si des pièces semblent manquantes ou endommagées. L'utilisation d'un produit dont l'assemblage est incorrect ou incomplet ou comportant des pièces endommagées ou absentes représente un risque de blessures graves.

## AVERTISSEMENT :

Ne pas essayer de modifier cet outil ou de créer des pièces et accessoires non recommandés. De telles altérations ou modifications sont considérées comme un usage abusif et peuvent créer des conditions dangereuses, risquant d'entraîner des blessures graves.

Si des pièces manquent ou sont endommagées, veuillez appeler au 1-800-525-2579 pour obtenir de l'aide.

# UTILISATION

## AVERTISSEMENT :

Ne pas diriger le faisceau lumineux vers des personnes ou des animaux et ne pas fixer le faisceau (même à bonne distance). Le fait de fixer le faisceau peut causer des blessures graves et même entraîner la perte de la vue.

## AVERTISSEMENT :

Ne pas laisser la familiarité avec l'outil faire oublier la prudence. Ne pas oublier qu'une fraction de seconde d'inattention peut entraîner des blessures graves.

## AVERTISSEMENT :

Ne pas utiliser d'outils ou accessoires non recommandés par le fabricant pour cet outil. L'utilisation de pièces et accessoires non recommandés peut entraîner des blessures graves.

## AVERTISSEMENT :

Toujours retirer le bloc-piles ou cordon prolongateur de le produit au moment d'assembler des pièces, d'effectuer des réglages et de procéder au nettoyage, ou lorsque l'outil n'est pas utilisé. Le fait de retirer la pile ou cordon prolongateur permet d'empêcher un démarrage accidentel pouvant entraîner des blessures graves.

**NOTE :** Le blocs-piles doit être rechargé après environ 5 heures d'utilisation pour réduire les risques de dommage. Une décharge profonde répétée de la pile peut réduire la capacité de remisage et la durée de vie de la pile.

## INSTALLATION/RETRAIT DU CORDON D'ALIMENTATION

Voir la figure 2, Page 8.

## AVERTISSEMENT :

Ne pas acheminer le cordon sous les tapis, coulisseries, meubles ou appareils et de toujours l'éloigner des zones de circulation piétonnière pour éviter les risques de trébuchement.

## APPLICATIONS

Cet outil peut être utilisé pour l'application ci-dessous :

- Générale illuminer de la les espaces de travail

## AVIS :

Ce produit a été conçu pour être alimenté par un bloc-piles de 18 V One+ de Ryobi (mode CC) ou une source d'alimentation électrique (mode CA). L'une des sources d'alimentation peut être utilisée soit par un bloc-piles approuvé ou par le cordon d'alimentation du produit, comme décrit dans ce manuel.

## INSTALLATION/RETRAIT DU BLOC-PILES

Voir la figure 1, page 8.

- Insérer la bloc-piles dans l'outil tel qu'illustré.
- S'assurer que ses deux loquets latéraux s'engagent correctement et vérifier que le bloc-piles est solidement assujetti avant d'utiliser produit.
- Relâcher les loquets pour retirer le bloc-piles.

- Passer le cordon d'alimentation à travers la retenue de cordon.
- Insérer la partie femelle du cordon d'alimentation dans le produit, comme illustré.
- Raccorder la fiche du cordon d'alimentation dans une source d'énergie.
- S'assurer que le cordon d'alimentation est raccordé correctement avant d'allumer le produit.

## MISE EN MARCHÉ ET ARRÊT LAMPE DE TRAVAIL DEL

Voir la figure 3, page 8.

- Raccorder le produit portatif à une source d'énergie CA ou CC.
- Pour démarrer le produit portatif, déplacer l'interrupteur vers la gauche ou vers la droite.
- Pour arrêter le produit portatif, régler l'interrupteur sur la position centrale, ou D'ARRÊT.

# UTILISATION

## **WARNING:**

Les outils hybrides sont toujours en état de marche. Cependant, l'appareil doit toujours être en position d'arrêt, d'en avoir retiré le bloc-pile et d'avoir débranché le cordon d'alimentation dès la fin de son utilisation. Ne pas laisser la lampe allumée sans surveillance. Ne pas respecter ces instructions de sécurité peut entraîner des blessures graves.

## **AVERTISSEMENT :**

Se tenir lampe de travail à l'écart des matériaux inflammables. Si la lampe est enveloppée ou en contact avec un tissu, le diffuseur peut dégager une chaleur suffisante pour fondre certains matériaux. Pour éviter des blessures graves, ne jamais laisser le diffuseur de la lampe entrer en contact avec quoi que ce soit.

## **POUR PENDRE LE LAMPE DE TRAVAIL DEL**

*Voir la figure 4, page 9.*

## **AVERTISSEMENT :**

Suspendre ou monter seulement la lampe de travail DEL dans un endroit sans fils électriques, où se trouvent des câbles de service utilitaire ou d'autres obstructions peuvent s'y retrouver. Communiquer avec l'entreprise de service d'utilité ou un électricien qualifié en cas de doute. Ne pas utiliser aucun fil électrique pour suspendre la lampe de travail. S'assurer que l'installation de la lampe de travail est stable afin de prévenir les risques de chute d'objet. Ne pas respecter ces instructions de sécurité représente un risque d'électrocution, de décharge électrique et de blessures graves.

## **Utilisant le crochet en J pour pendre le produit :**

- Levage le crochet en J de la fente.
- Utiliser le crochet de J pour pendre le produit portatif. Vous pouvez utiliser une vis pour obtenir le produit à sa place. No serrez pas trop.

**NOTE :** Prendre soin de ne pas suspendre le produit de manière à nuire au fonctionnement normal du produit ou pouvant endommager le cordon d'alimentation.

## **Utilisant le trous de montage pour pendre le produit :**

- Suspendre le produit portatif à un endroit solide en utilisant les vis dans les trous de montage pour le fixer solidement en place. No serrez pas trop.

**NOTE :** Prendre soin de ne pas suspendre le produit de manière à nuire au fonctionnement normal du produit ou pouvant endommager le cordon d'alimentation.

## **Utilisation de la bride de retenue pour suspendre la lampe :**

- Suspendre la lampe de travail à une clôture et accrocher la bride de retenue à la clôture.

## **Montage de la lampe de travail sur un trépied :**

- Visser le trépied dans le trou situé à la base de la lampe.

## **TÊTE RÉGLABLE**

*Voir la figure 4, Page 9.*

## **ATTENTION :**

Ne pas placer les mains ou les doigts entre la tête et le cadre réglables lorsque de son positionnement pour éviter les pincements.

La tête de la lampe de travail peut être positionnée de plusieurs façons. Dévisser le bouton pour modifier la position de la base. Diriger la tête vers la position désirée puis visser le bouton.

# ENTRETIEN

## **AVERTISSEMENT :**

Utiliser exclusivement des pièces d'origine pour les réparations. L'usage de toute autre pièce pourrait créer une situation dangereuse ou endommager l'produit.

## **RANGEMENT DE LA LAMPE DE TRAVAIL**

Ranger à l'intérieur dans un endroit sec et verrouillé, hors de la portée des enfants, d'enlever le bloc-pile et de débrancher

le cordon d'alimentation. Garder éloigné des agents corrosifs comme les produits chimiques de jardinage et les sels fondants.

## **ENTRETIEN GÉNÉRAL**

Éviter d'utiliser des solvants pour le nettoyage des pièces en plastique. La plupart des matières plastiques peuvent être endommagées par divers types de solvants du commerce. Utiliser un chiffon propre pour éliminer la saleté, la poussière, l'huile, la graisse, etc.

**NOTE : ILLUSTRATIONS COMMENÇANT SUR 8 DE PAGE APRÈS LA SECTION ESPAGNOL.**

7 – Français

# INSTRUCCIONES DE SEGURIDAD IMPORTANTES



## ¡ADVERTENCIA!

**LEA Y GUARDE ESTAS INSTRUCCIONES.** El incumplimiento de las instrucciones señaladas abajo puede causar descargas eléctricas, incendios y lesiones corporales serias.

Guarde todas las advertencias e instrucciones para futuras consultas. El término “producto” empleado en todos los avisos de advertencia enumerados abajo se refiere a las herramientas eléctricas de cordón (alámbricas) y de baterías (inalámbricas).

## GUARDE ESTAS INSTRUCCIONES ÁREA DE TRABAJO

- **Para uso en tareas livianas en sitios normalmente secos**
- **Mantenga limpia y bien iluminada el área de trabajo.** Una mesa de trabajo mal despejada y una mala iluminación son causas comunes de accidentes.
- **No utilice producto en atmósferas explosivas, como las existentes alrededor de líquidos, gases y polvos inflamables.** Los productos generan chispas que pueden encender el polvo y los vapores inflamables.
- **Mantenga alejados a los niños y circunstantes al maniobrar un producto.** Toda distracción puede causar pérdida del control de la herramienta.

## SEGURIDAD ELÉCTRICA

- **Todo producto de baterías, ya sea de baterías integradas o de paquete de baterías separado, debe recargarse únicamente con el cargador especificado para las baterías.** Un cargador que puede ser adecuado para un tipo de baterías puede significar un riesgo de incendio si se emplea con otro tipo de baterías.
- **Cargue las baterías solamente con el cargador indicado.** Para utilizar con paquetes de baterías de níquel-cadmio de 18 V o de iones de litio de 18 V, consulte el folleto de la herramienta/aparato/paquete de baterías/cargador complementario 987000-432.
- **Proteja el cordón eléctrico para evitar que se lo pise o pellizque, especialmente a la altura de las clavijas, de las tomas de corriente y del punto de conexión de salida del aparato.**
- **No exponga las herramientas eléctricas a la lluvia ni a condiciones de humedad.** La introducción de agua en un producto aumenta el riesgo de descargas eléctricas.
- **Únicamente cuelgue o monte la luz de trabajo LED en un área donde no haya cables eléctricos, cables de servicios públicos, tuberías, ni otros obstáculos para evitar el riesgo de electrocución o descargas eléctricas**
- **Desenchufe este aparato durante las tormentas eléctricas o cuando no se utilice la máquina.**

## SEGURIDAD PERSONAL

- **No estire el cuerpo para alcanzar mayor distancia. Mantenga una postura firme y buen equilibrio en todo momento.** La postura firme y el buen equilibrio permiten un mejor control de la producto en situaciones inesperadas.
- **No utilice la unidad al estar en una escalera o en un soporte inestable.** Una postura estable sobre una superficie sólida permite un mejor control de la producto en situaciones inesperadas.

## EMPLEO Y CUIDADO DE LA LUZ DE TRABAJO DE LED

- **No utilice los producto si el interruptor no enciende o no apaga.** Un producto que no puede controlarse con el interruptor es peligroso y debe repararse.
- **Desconecte el paquete de baterías o cordón de extensión antes de efectuar ajustes, de cambiar accesorios o de guardar el producto.** Con tales medidas preventivas de seguridad se reduce el riesgo de poner en marcha accidentalmente el producto.
- **Mantenga el producto y el mango secos, limpios y sin aceite ni grasa.** Siempre utilice un paño limpio para la limpieza de la unidad. Nunca utilice fluidos para frenos, gasolina, productos a base de petróleo ni solventes fuertes para limpiar el producto. Con el cumplimiento de esta regla se reduce el riesgo de una pérdida de control y el deterioro del alojamiento de plástico de la unidad.
- **Para reducir el riesgo de descarga eléctrica, no utilice este producto cerca del agua, especialmente cuando está conectado a través del cable de alimentación.**
- **Limpie sólo con un paño seco.**
- **No instale cerca de fuentes de calor como, por ejemplo, radiadores, rejillas térmicas u otros aparatos que generen calor (entre ellos, amplificadores).**

## EMPLEO Y CUIDADO DE LA HERRAMIENTA DE BATERÍAS

- **Sólo cargue el paquete de baterías con el cargador especificado por el fabricante.** Un cargador adecuado para un tipo paquete de baterías puede significar un riesgo de incendio si se emplea con un paquete de baterías diferente.
- **Utilice las herramientas eléctricas sólo con los paquetes de baterías específicamente indicados.** El empleo de paquetes de baterías diferentes puede presentar un riesgo de incendio.
- **Cuando no esté utilizándose el paquete de baterías, manténgalo lejos de otros objetos metálicos, como clips, monedas, llaves, clavos, tornillos o otros objetos metálicos, pequeños que puedan establecer conexión entre ambas terminales.** Establecer una conexión directa entre las dos terminales de las baterías puede causar quemaduras o incendios.

# INSTRUCCIONES DE SEGURIDAD IMPORTANTES

- Si se maltratan las baterías, puede derramarse líquido de las mismas; evite todo contacto con éste. En caso de contacto, lávese con agua. Si el líquido llega a tocar los ojos, además busque atención médica. El líquido de las baterías puede causar irritación y quemaduras.

## SERVICIO

- El servicio del producto sólo debe ser efectuado por personal de reparación calificado. Todo servicio o mantenimiento efectuado por personal no calificado puede significar un riesgo de lesiones.

# ADVERTENCIAS DE SEGURIDAD LUZ DE TRABAJO DE LED

- Familiarícese con su producto eléctrico. Lea cuidadosamente el manual del operador. Aprenda sus usos y limitaciones, así como los posibles peligros específicos de este producto. Con el cumplimiento de esta regla se reduce el riesgo de una descarga eléctrica, incendio o lesión seria.
- No permita que los niños usen la luz de trabajo. No es un juguete.
- Ubique el cable de alimentación con cuidado durante el uso. Si el cable de alimentación se interpone en su camino, corre el riesgo de tropezarse.
- Si está envuelta o en contacto con tela la lente de la lámpara de trabajo, puede generar suficiente calor como para derretir ciertas telas. Para evitar lesiones corporales serias, nunca permita que la lente de la lámpara de trabajo toque nada.
- No coloque las manos o los dedos entre la cabeza ajustable y el bastidor cuando ubique la luz de trabajo para evitar posibles pellizcos.
- Las herramientas de baterías no se necesitan conectar a una toma de corriente; por lo tanto, siempre están en condiciones de funcionamiento. Esté consciente de los posibles peligros cuando no esté usando la herramienta de baterías o cuando esté cambiando los accesorios de la misma. Con el cumplimiento de esta regla se reduce el riesgo de una descarga eléctrica, incendio o lesión corporal seria.
- No coloque productos de baterías ni las baterías mismas cerca del fuego o del calor. De esta manera se reduce el riesgo de explosiones y de lesiones.
- No aplaste, deje caer o dañe el paquete de baterías. No utilice el paquete de baterías ni el cargador si han sufrido una caída o un golpe contundente. Las baterías dañadas pueden sufrir explosiones. Deseche de inmediato toda batería que haya sufrido una caída o que haya sido dañada.
- Las baterías pueden explotar en presencia de una fuente de inflamación, como una luz guía. Para reducir el riesgo de lesiones corporales serias, nunca use un producto inalámbrico en presencia de llamas expuestas. La explosión de una batería puede lanzar fragmentos y compuestos químicos. Si ha quedado expuesto a la explosión de una batería, lávese de inmediato con agua.
- No cargue producto de baterías en lugares mojados o húmedos. Con el cumplimiento de esta regla se reduce el riesgo de una descarga eléctrica.
- Para obtener resultados óptimos, debe cargar la baterías en un lugar donde la temperatura esté entre 10° y 38° C (50° y 100° F). No guarde el producto a la intemperie ni en el interior de vehículos.
- En condiciones extremas de uso o temperatura las baterías pueden emanar líquido. Si el líquido llega a tocarle la piel, lávese de inmediato con agua y jabón, y después neutralice los efectos con jugo de limón o vinagre. Si le entra líquido en los ojos, láveselos con agua limpia por lo menos 10 minutos, y después busque de inmediato atención médica. Con el cumplimiento de esta regla se reduce el riesgo de lesiones serias.
- No incinere las baterías, incluso si está dañado seriamente. Las baterías pueden estallar e incendiarse.
- Para reducir el riesgo de incendio o descarga eléctrica, no utilice este producto con ningún dispositivo de control de velocidad de estado sólido.
- Para reducir el riesgo de lesión personal y descarga eléctrica, el producto no debe usarse o colocarse al alcance de niños pequeños.
- Para reducir el riesgo de descarga eléctrica, no lo exponga a la lluvia o al agua.
- Guarde estas instrucciones. Consúltelas con frecuencia y empléelas para instruir a otras personas que puedan utilizar esta herramienta. Si presta a alguien esta herramienta, facilítele también las instrucciones con el fin de evitar un uso indebido del producto y posibles lesiones.

# ASPECTOS ELÉCTRICOS

## DOBLE AISLAMIENTO

El doble aislamiento es una característica de seguridad de las productos eléctricas, la cual elimina la necesidad de usar el típico cordón eléctrico de tres conductores con conexión a tierra. Todas las partes metálicas expuestas están aisladas de los componentes metálicos internos del motor por medio de aislamiento de protección. No es necesario conectar a tierra las producto con doble aislamiento.

### ADVERTENCIA:

El sistema de doble aislamiento está destinado para proteger al usuario contra las descargas eléctricas resultantes de la ruptura del cableado interno de la producto. Observe todas las precauciones de seguridad para evitar descargas eléctricas.

**NOTA:** El mantenimiento de una producto con doble aislamiento requiere sumo cuidado y conocimiento del sistema, y únicamente deben realizarlo técnicos de servicio calificados. Para el servicio de la producto, le sugerimos llevarla al centro de servicio autorizado más cercano para toda reparación. Siempre utilice piezas de repuesto de la fábrica original al dar servicio a la unidad.

## CONEXIÓN ELÉCTRICA

Este producto debe conectarse únicamente a un **suministro de corriente de 120 V, sólo corr. alt. (corriente normal para uso doméstico), 60 Hz.** No opere este producto con corriente directa (corr. cont.) a través del cordón eléctrico. Una caída considerable de voltaje causa una pérdida de potencia y el recalentamiento del motor. Si la producto no funciona al conectarla en una toma de corriente, vuelva a verificar el suministro de voltaje.

## CORDONES DE EXTENSIÓN

Al utilizar una producto eléctrica a una distancia considerable de la fuente de voltaje, asegúrese de utilizar un cordón de extensión con la suficiente capacidad para soportar la corriente de consumo de la producto. Un cordón de un calibre insuficiente causa una caída en el voltaje de línea, la cual

a su vez produce recalentamiento y pérdida de potencia. Básese en la tabla suministrada para determinar el grueso mínimo requerido del cordón de extensión. Solamente deben utilizarse cordones con forro redondo registrados en Underwriter's Laboratories (UL).

Utilice un cordón de extensión fabricado para uso en el exterior. Este tipo de cordón lleva las letras "WA" o "W" en el forro.

Antes de utilizar un cordón de extensión, inspecciónelo para ver si tiene conductores flojos o expuestos y aislamiento cortado o gastado.

\*\*Amperaje (aparece en la placa de datos de la producto)

Longitud del cordón	Calibre conductores (A.W.G.)					
	0-2,0	2,1-3,4	3,5-5,0	5,1-7,0	7,1-12,0	12,1-16,0
25'	16	16	16	16	14	14
50'	16	16	16	14	14	12
100'	16	16	14	12	10	—

\*\*Se usa en los circuitos de calibre 12, de 20 amperes.

**NOTA:** AWG = Calibre conductores norma americana

### ADVERTENCIA:

Mantenga el cordón de extensión fuera del área de trabajo. Al trabajar con una producto eléctrica, coloque el cordón de tal manera que no pueda enredarse en la madera, productos ni en otras obstrucciones. La inobservancia de esta advertencia puede causar lesiones serias.

### ADVERTENCIA:

Inspeccione los cordones de extensión cada vez antes de usarlos. Si están dañados reemplácelos de inmediato. Nunca utilice la producto con un cordón dañado, ya que si toca la parte dañada puede producirse una descarga eléctrica, y las consecuentes lesiones serias.

## CALIFORNIA - PROPUESTA DE LEY NÚM. 65




### ADVERTENCIA:

Este producto puede contener sustancias químicas (incluido el plomo) reconocidas por el estado de California como causantes de cáncer, defectos congénitos y otras afecciones del aparato reproductor. **Lávese las manos después de utilizar el aparato.**









# SÍMBOLOS

Las siguientes palabras de señalización y sus significados tienen el objeto de explicar los niveles de riesgo relacionados con este producto.

SÍMBOLO	SEÑAL	SIGNIFICADO
	<b>PELIGRO:</b>	Indica una situación peligrosa inminente, la cual, si no se evita, causará la muerte o lesiones serias.
	<b>ADVERTENCIA:</b>	Indica una situación peligrosa posible, la cual, si no se evita, podría causar la muerte o lesiones serias.
	<b>PRECAUCIÓN:</b>	Indica una situación peligrosa posible, la cual, si no se evita, podría causar lesiones menores o leves.
	<b>AVISO:</b>	(Sin el símbolo de alerta de seguridad) Indica información importante no relacionada con ningún peligro de lesiones, como una situación que puede ocasionar daños físicos.

Es posible que se empleen en este producto algunos de los siguientes símbolos. Le suplicamos estudiarlos y aprender su significado. Una correcta interpretación de estos símbolos le permitirá utilizar mejor y de manera más segura el producto.

SÍMBOLO	NOMBRE	DENOMINACIÓN/EXPLICACIÓN
	Alerta de seguridad	Indica un peligro posible de lesiones personales.
	Lea el manual del operador	Para reducir el riesgo de lesiones, el usuario debe leer y comprender el manual del operador antes de usar este producto.
	Alerta de condiciones húmedas	No exponga la unidad a la lluvia ni la use en lugares húmedos.
	Descarga eléctrica	Para reducir el riesgo de electrocución o descargas eléctricas, manténgalo alejado del agua y no lo utilice con cables dañados.
	Símbolos de reciclado	Este producto contiene baterías de níquel-cadmio (Ni-Cd) o iones de litio (Li-ion). Es posible que algunas leyes municipales, estatales o federales prohíban desechar las baterías de níquel-cadmio en la basura normal. Consulte a las autoridades reguladoras de desechos para obtener información en relación con las alternativas de reciclado y desecho disponibles.
V	Voltios	Voltaje
A	Amperios	Corriente
Hz	Hertz	Frecuencia (ciclos por segundo)
W	Watts	Potencia
min	Minutos	Tiempo
—	Corriente continua	Tipo o característica de corriente
~	Corriente alterna	Tipo de corriente
	Fabricación Clase II	Fabricación con doble aislamiento

# ARMADO

## ADVERTENCIA:

No use este producto si no está totalmente ensamblado o si alguna pieza falta o está dañada. El uso de un producto que no está adecuadamente y completamente ensamblado o posee partes dañadas o faltantes puede resultar en lesiones personales graves.

## ADVERTENCIA:

No intente modificar este producto ni crear aditamentos o accesorios que no estén recomendados para usar con este producto. Dichas alteraciones o modificaciones constituyen un uso indebido y podrían provocar una situación de riesgo que cause posibles lesiones personales graves.

Si hay piezas dañadas o faltantes, le suplicamos llamar al 1-800-525-2579, donde le brindaremos asistencia.

# FUNCIONAMIENTO

## ADVERTENCIA:

No apunte el rayo de luz a personas o animales y evite mirar de frente el rayo de luz (aunque se encuentre lejos). Mirar de frente el rayo de luz puede causar lesiones graves o pérdida de la visión.

## ADVERTENCIA:

No permita que su familiarización con las herramientas lo vuelva descuidado. Tenga presente que un descuido de un instante es suficiente para causar una lesión grave.

## ADVERTENCIA:

No utilice ningún aditamento o accesorio no recomendado por el fabricante de esta herramienta. El empleo de aditamentos o accesorios no recomendados podría causar lesiones serias.

## USOS

Esta herramienta puede emplearse para los fines enumerados abajo:

- La iluminación general de la mayoría de los espacios de trabajo.

## AVISO:

Este producto está diseñado para ser alimentado con un paquete de baterías Ryobi One+ 18 V (modo CC) o mediante alimentación eléctrica (modo CA). Puede utilizarse cualquier fuente de alimentación instalando un paquete de baterías aprobado o un cable de alimentación dentro del producto, como se describe en este manual.

## INSTALACIÓN/DESMONTAR DEL PAQUETE DE BATERÍAS

Vea la figura 1, página 8.

- Coloque el paquete de baterías en el producto como se muestra.
- Asegúrese de que los pestillos situados en ambos lados del paquete de baterías se deslicen completamente en su lugar y de que el paquete quede bien fijo en el producto antes de empezar a utilizarlo.

- Oprima los pestillos para extraer el paquete de baterías.

## ADVERTENCIA:

Retire siempre el paquete de baterías o cordón de extensión del producto antes de instalar las piezas, realizar ajustes, limpiarla o cuando no la utilice. Retirar el paquete de baterías o cordón de extensión evitará que la unidad se accione accidentalmente y provoque lesiones graves.

**NOTA:** El paquete de la batería se debe recargar después de aproximadamente 5 horas del uso para reducir la posibilidad de dañarlo. La descarga profunda repetida de la batería puede disminuir la vida de la capacidad de almacenaje y de la batería.

## INSTALACIÓN/DESMONTAR DEL CABLE DE ALIMENTACIÓN

Vea la figura 2, página 8.

## ADVERTENCIA:

No pase el cable por debajo de alfombras, tapetes, correderas, muebles o aparatos eléctricos y siempre pase el cable lejos de áreas de tráfico para evitar riesgos de caídas.

- Pase el cordón de corriente a través del retén para el cordón
- Inserte el extremo hembra del cable de alimentación dentro del producto como se muestra.
- Conecte el extremo macho del cable de alimentación a la fuente de alimentación.
- Asegúrese de que el cable de alimentación esté asegurado antes de comenzar con el funcionamiento.

## ENCENDIDO Y APAGADO DE LUZ DE TRABAJO DE LED

Vea la figura 3, página 8.

- Conecte el producto a una fuente de alimentación CA o CC.
- Para arrancar el producto, muévelo el interruptor a la izquierda o a la derecha .
- Para detener el producto, coloque el interruptor de corriente en la posición central, o de APAGADO.

# FUNCIONAMIENTO

## **ADVERTENCIA:**

Las herramientas híbridas siempre están en condiciones de funcionamiento. Por lo tanto, la unidad siempre debe estar APAGADA, con el paquete de baterías extraído y el cable desconectado, cuando no está en uso. No deje la luz encendida mientras desatendida. El incumplimiento de estas instrucciones podría causar lesiones personales de gravedad.

## **ADVERTENCIA:**

Mantener lámpara de trabajo en alejado de todo material combustible. Si está envuelta o en contacto con tela la lente de la lámpara de trabajo, puede generar suficiente calor como para derretir ciertas telas. Para evitar lesiones corporales serias, nunca permita que la lente de la lámpara de trabajo toque nada.

## **PARA COLGAR EL LUZ DE TRABAJO DE LED**

*Vea la figura 4, página 9.*

## **ADVERTENCIA:**

Únicamente cuelgue o monte la luz de trabajo LED en un área donde no haya cables eléctricos, cables de servicios públicos, tuberías, ni otros obstáculos. Comuníquese con su compañía local de servicios públicos o con un electricista calificado si no está seguro. No cuelgue la luz de trabajo de ningún cable eléctrico. Asegúrese de que la luz de trabajo esté instalada en forma segura para evitar riesgos por objetos que puedan caer. Si no sigue estas instrucciones puede provocar electrocución, descargas eléctricas u otras lesiones personales graves.

## **Utilizando el gancho en J para colgar el producto:**

- Quite el gancho en J de la ranura.
- Utilice el gancho J para colgar producto. Puede utilizar un tornillo para asegurar el producto en el lugar. No apriete demasiado.

**NOTA:** Tenga cuidado de no colgar el producto de una manera que evite el funcionamiento normal del producto o que dañe el cable.

## **Utilizando el agujeros de montaje para colgar el producto:**

- Cuelgue el producto desde una ubicación firme utilizando tornillos en los orificios de montaje para asegurarlo en su lugar. No apriete demasiado.

**NOTA:** Tenga cuidado de no colgar el producto de una manera que evite el funcionamiento normal del producto o que dañe el cable.

## **Uso del retenedor del cordón para colgar la lámpara:**

- Cuelgue la lámpara de trabajo desde una cerca, enganche el retenedor del cordón en una cerca.

## **Montaje de la lámpara de trabajo en un trípode:**

- Atornille el trípode en el hoyo de la base de la lámpara.

## **CABEZA AJUSTABLE**

*See Figure 4, page 9.*

## **PRECAUCIÓN:**

No coloque las manos o los dedos entre la cabeza ajustable y el bastidor cuando ubique la luz de trabajo para evitar posibles pellizcos.

La cabeza de la lámpara de trabajo puede ajustarse en varias posiciones. Para cambiar la posición de la base, afloje la perilla. Ajuste la cabeza a la posición deseada, apriete la perilla.

# MANTENIMIENTO

## **ADVERTENCIA:**

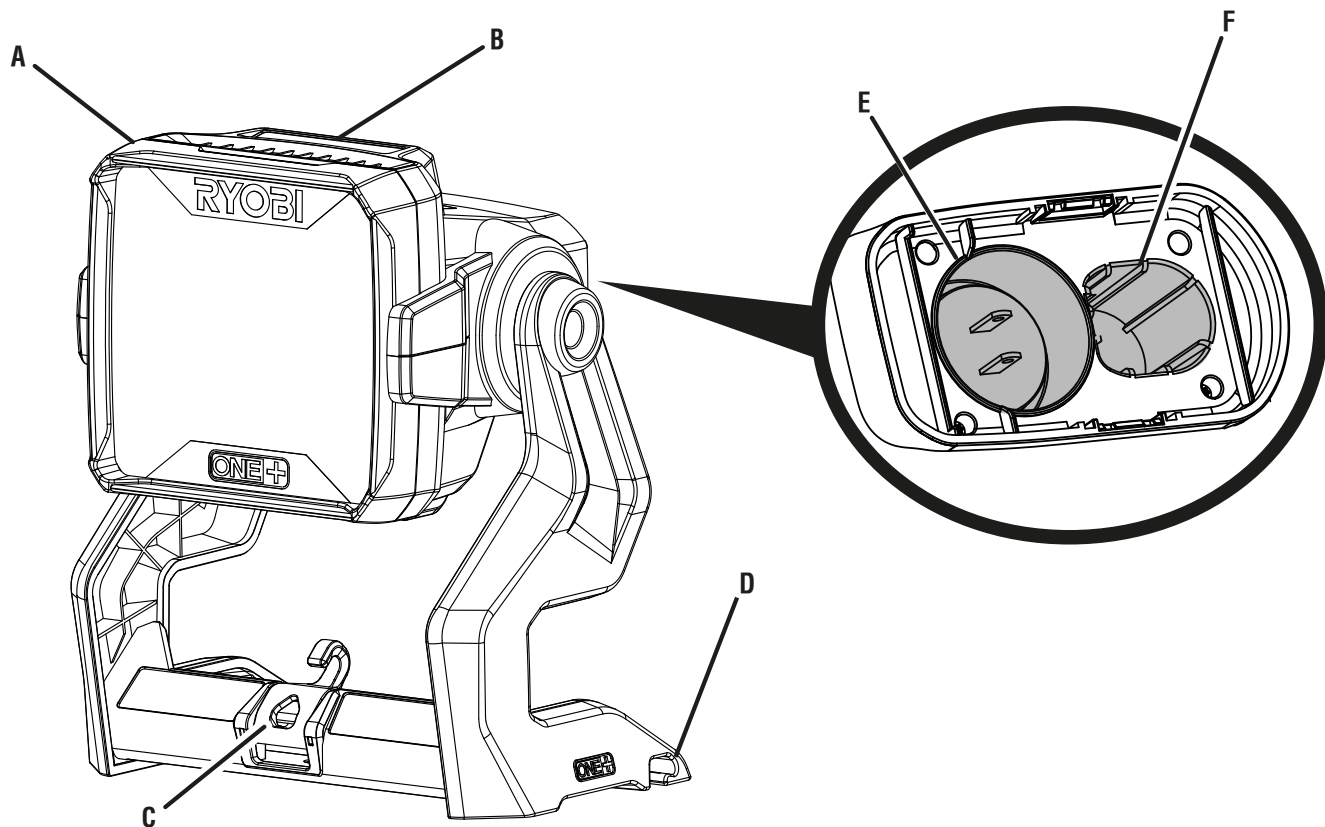
Al dar servicio a la unidad, sólo utilice piezas de repuesto idénticas. El empleo de piezas diferentes podría causar un peligro o dañar el producto.

## **ALMACENAMIENTO DE LA LUZ DE TRABAJO**

Almacene en el interior, en un lugar seco y cerrado con llave, lejos del alcance de los niños con el paquete de baterías extraído y el cable desconectado. Evite que la unidad entre en contacto con agentes corrosivos como las sustancias químicas para el jardín y las sales para derretir el hielo.

## **MANTENIMIENTO GENERAL**

Evite el empleo de solventes al limpiar piezas de plástico. La mayoría de los plásticos son susceptibles a diferentes tipos de solventes comerciales y pueden resultar dañados. Utilice paños limpios para eliminar la suciedad, el polvo, el aceite, la grasa, etc.

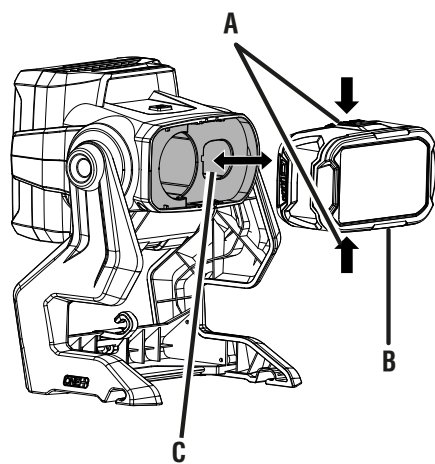


A - Adjustable head (tête ajustable, cabeza ajustable)  
 B - ON/OFF Button (Botón de encendido/apagado, Botón de encendido/apagado)

C - J hook (crochet en J, gancho en J)  
 D - Cord retainer (retenue de cordon, retén para el cordón)  
 E - Receptacle (prise, receptáculo)

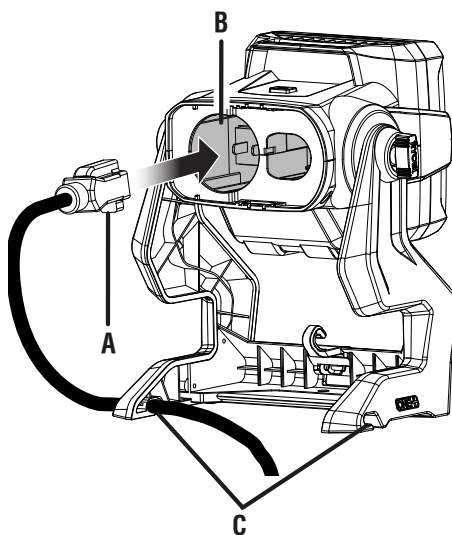
F - Battery port (logements de bloc-piles, puertos de baterías)

**Fig. 1**



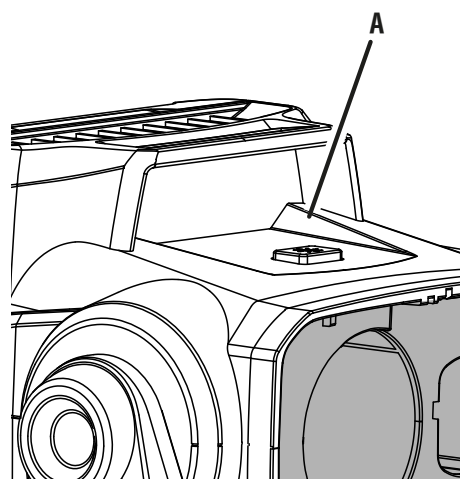
A - Latches (loquets, pestillos)  
 B - Battery pack (bloc-piles, baterías)  
 C - Battery port (logements de bloc-piles, puertos de baterías)

**Fig. 2**



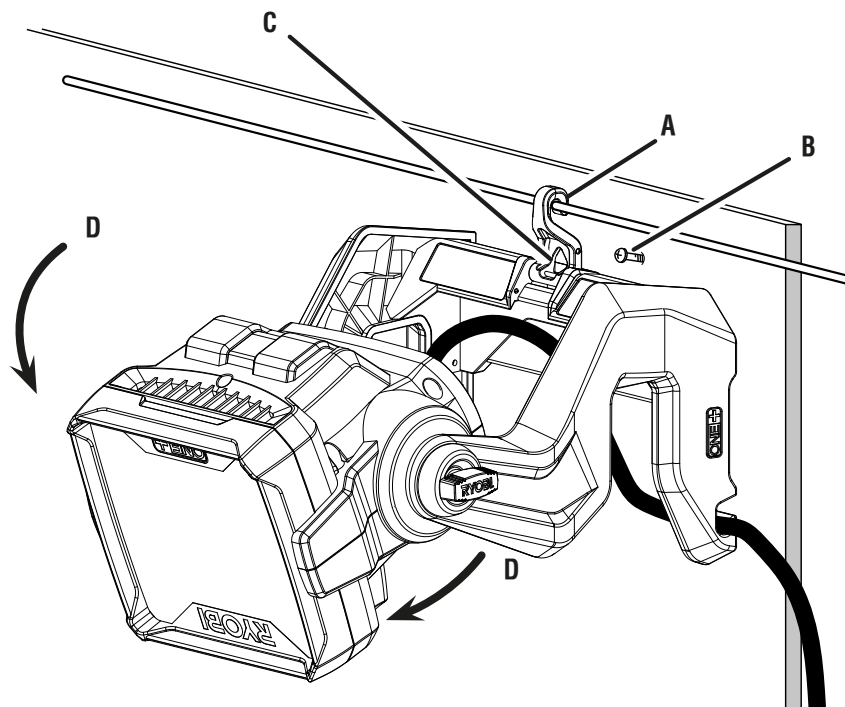
A - Power cord (cordon d'alimentation, cordón de corriente)  
 B - Receptacle (prise, receptáculo)  
 C - Cord retainer (retenue de cordon, retén para el cordón)

**Fig. 3**



ON/OFF Button (Botón de encendido/apagado, Botón de encendido/apagado)

**Fig. 4**



A - J hook (crochet en J, gancho en J)  
B - Screw (vis, tornillo)

C - Mounting hole (trou de montage,  
agujero de montaje)  
D - Adjust head (tête de réglage, cabeza  
ajuste)







**OPERATOR'S MANUAL / 18 VOLT HYBRID LED WORK LIGHT**  
**MANUEL D'UTILISATION / LAMPE DE TRAVAIL DEL HYBRIDE DE 18 V**  
**MANUAL DEL OPERADOR / LUZ DE TRABAJO DE LED HÍBRIDA DE 18 V**  
**P720**

To request service, purchase replacement parts,  
locate an Authorized Service Center and obtain Customer or Technical Support:

Visit **www.ryobitools.com** or call **1-800-525-2579**

If any parts or accessories are damaged or missing,  
do not return this product to the store. Call **1-800-525-2579** for immediate service.

Please obtain your model and serial number from the product data plate.

**This product is covered under a 3-year limited Warranty. Proof of purchase is required.**

MODEL NUMBER \_\_\_\_\_ SERIAL NUMBER \_\_\_\_\_

RYOBI is a trademark of Ryobi Limited and is used pursuant to a license granted by Ryobi Limited.

Pour faire une demande de réparations ou obtenir des pièces de rechange, trouver un  
Centre de réparations agréé pour obtenir un soutien technique ou le Service à la clientèle :

Visiter **www.ryobitools.com** ou en téléphonant au **1-800-525-2579**

Si des pièces ou accessoires sont manquantes ou endommagées, ne pas retourner  
ce produit au magasin. Appeler immédiatement au **1-800-525-2579** pour obtenir de l'aide.

Inscrire les numéros de modèle et de série inscrits sur la plaque d'identification du produit.

**Ce produit est couvert par une garantie limitée de trois (3) ans. Une preuve d'achat est exigée.**

NUMÉRO DE MODÈLE \_\_\_\_\_ NUMÉRO DE SÉRIE \_\_\_\_\_

RYOBI est une marque de Ryobi Limited et est utilisée en vertu d'une licence accordée par Ryobi Limited.

Para obtener servicio, comprar piezas de repuesto, localizar un centro de servicio autorizado  
y obtener Servicio o Asistencia Técnica al Consumidor:

Visite **www.ryobitools.com** o llame al **1-800-525-2579**

Si hay alguna pieza ou accesorios dañada o faltante, no devuelva este producto a la tienda.  
Llame al **1-800-525-2579** para servicio técnico inmediato.

Obtenga su modelo y número de serie de la placa de datos del producto.

**Este producto está cubierto con una garantía limitada de 3 años. Se solicita prueba de la compra.**

NÚMERO DE MODELO \_\_\_\_\_ NÚMERO DE SERIE \_\_\_\_\_

RYOBI es una marca de Ryobi Limited y se utiliza conforme a una licencia otorgada por Ryobi Limited.

**ONE WORLD TECHNOLOGIES, INC.**

1428 Pearman Dairy Road, Anderson, SC 29625 • Phone 1-800-525-2579  
États-Unis, Téléphone 1-800-525-2579 • USA, Teléfono 1-800-525-2579

**www.ryobitools.com**

A subsidiary of Techtronic Industries Co., LTD OTC: TTNDY

991000128  
9-11-14 (REV:01)