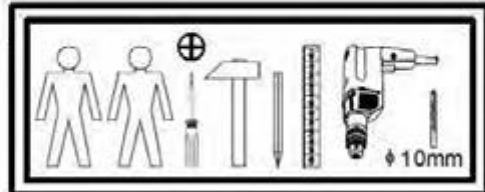
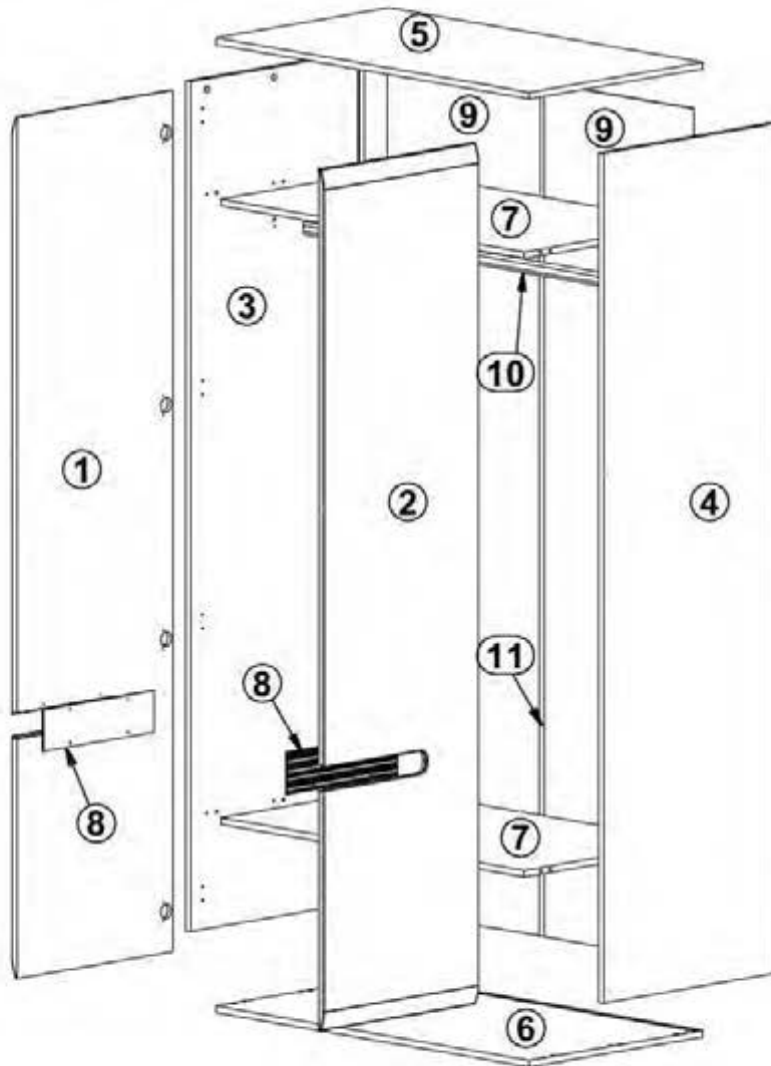
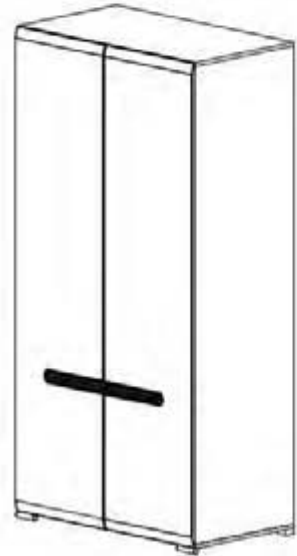
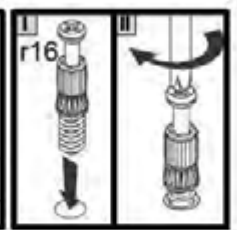
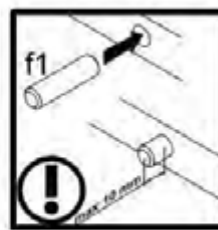
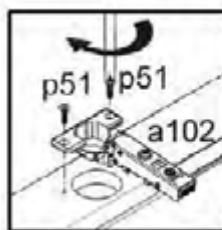
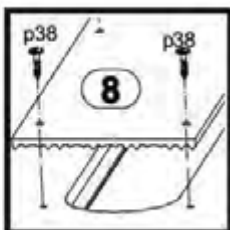
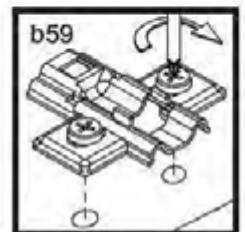
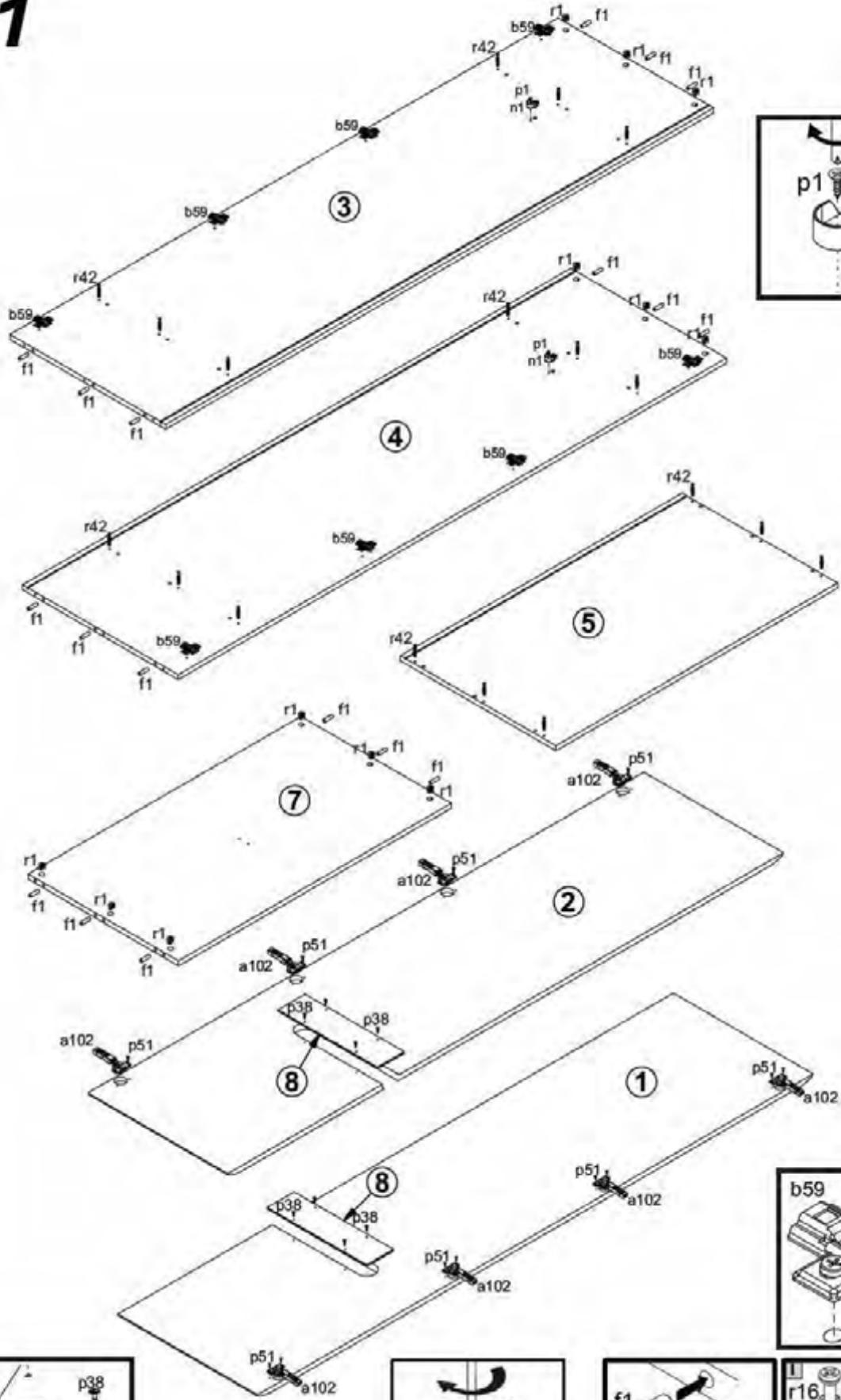


A	B	C	D	
1	S205 034	2071	521	3/3
2	S205 035	2071	521	3/3
3	S205 150	2043	580	1/3
4	S205 151	2043	580	1/3
5	S205 230	1050	580	2/3
6	S205 231	1050	580	2/3
7	S205 327	1017	560	2/3
8	S205 583	370	100	2/3
9	S205 968	2053	513	1/3
10	dr 1008	1008	30	2/3
11	Lh 2035	2035	14	1/3

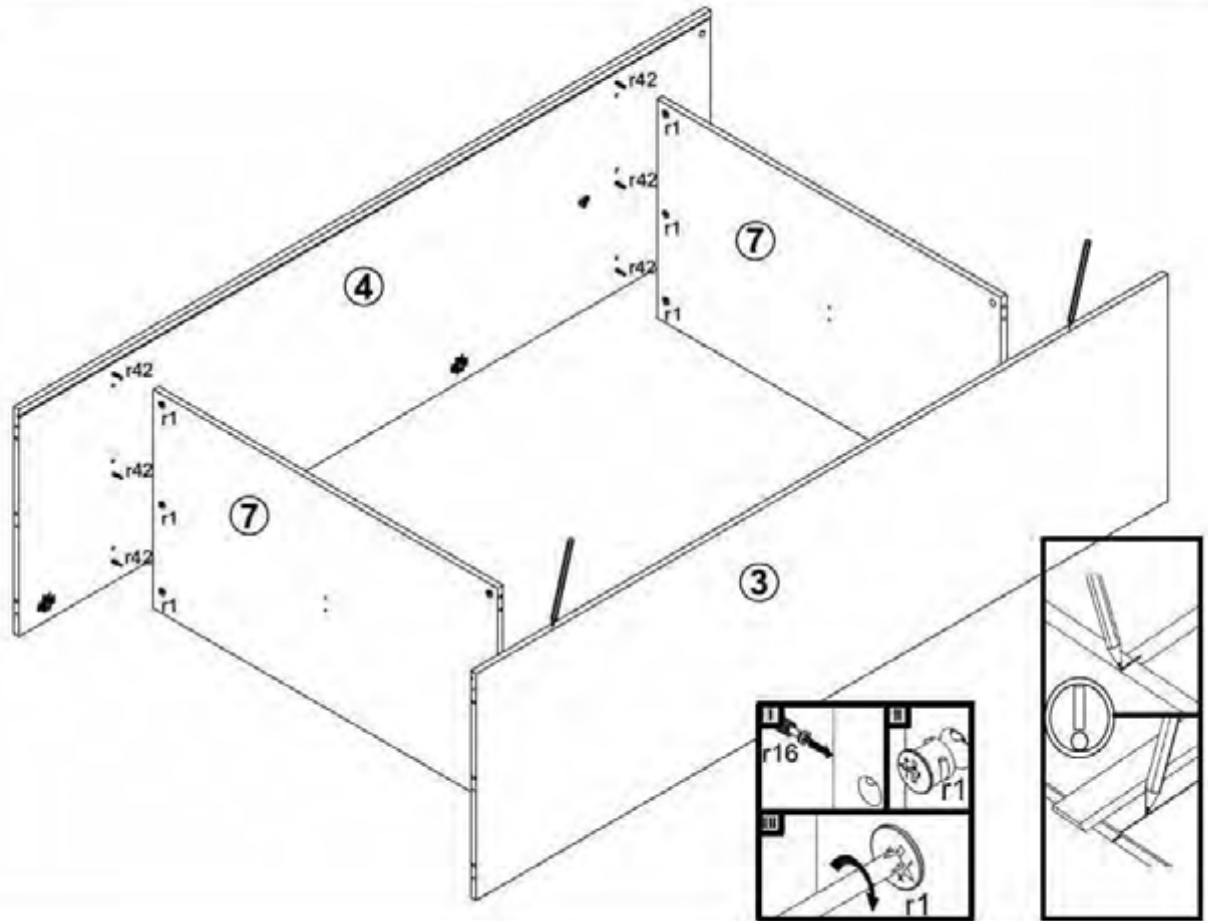


8x a102	8x b59	6x e1 4.7x50 mm	24x f1 48x30 mm	2x k84	3x k85	20x l1	22x l2
1x n26/l1	6x p6 4.4x35 mm	2x e3 4.8x13 mm	16x p51 4.3.5x15 mm	15x p38 4.3.5x16 mm	18x r1 4.15x12 mm #16	18x r42	18x s2
1x z1	1x p17 4.5x44 mm	1x f35 4.10x31 mm	2x p1 4.3.5x13 mm	2x n1	1x qb18		

§2 1



2



3

